

# MC-WALL

## MCa

PROFIELOVERZICHT .....	5
APERCU DES PROFILES	
PROFILUBERSICHT	
PROFILE OVERVIEW	

## MCb

TOEBEHOREN .....	61
ACCESSOIRES	
ZUBEHORTEILE	
ACCESSORIES	

## MCc

DOORSNEDETEKENINGEN.....	125
SECTION DE NOEUDS	
PROFILKOMBINATIONEN	
SECTION DRAWINGS	

## MCd

BEGLAZINGSTABELLEN .....	317
TABLEAUX DE VITRAGES	
VERGLASUNGSTABELLEN	
GLAZING TABLES	

## MCE

ZAAGTABELLEN .....	399
COUPES ET DEBITS	
ZUSCHNITTSTABELLEN	
FABRICATION CHARTS	

## MCf

WERKTEKENINGEN .....	411
DESSINS DE CONSTRUCTION	
KONSTRUKTIONZEICHNUNGEN	
CONSTRUCTION DRAWINGS	

## MCg

STATICA .....	467
STATIQUE	
STATIK	
STATICS	

**aliplast**  
*member of*



**CORIALIS**

VOOR MEER INFO IN VERBAND MET DE VOORBEREIDING / VERWERKING  
RAADPLEEG ONZE ALGEMENE VERWERKINGSVOORSCHRIFTEN

POUR PLUS D'INFORMATIONS CONCERNANT LA PREPARATION / USINAGE  
CONSULTEZ NOS RECOMMANDATIONS DE TRAITEMENT

FÜR WEITERE INFORMATIONEN ÜBER DIE VORBEREITUNG / VERARBEITUNG  
KONSULTIEREN SIE UNSERE VERARBEITUNGSVORSCHRIFTEN

FOR MORE INFORMATION CONCERNING THE PREPARATION / PROCESSING  
CONSULT OUR GENERAL PROCESSING INSTRUCTIONS

De tekeningen die voorgesteld zijn op schaal 1:1, kunnen kleine maatafwijkingen vertonen, te wijten aan de reproductietechniek van deze catalogoog.

Les dessins représentés à l'échelle 1 peuvent avoir de légères variations dimensionnelles dues aux techniques de reproduction de ce catalogue.







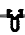

Die Zeichnungen im Maßstab 1:1 können aus technischen Reproduktionsgründen leichte Messung Schwankungen darstellen.

The drawings represented on a scale 1 basis may have light dimensional variations due to the reproduction of the manual.


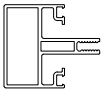
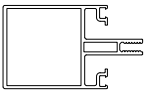
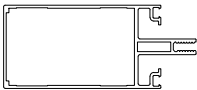
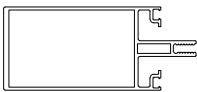



DATUM	PAGINA	OMSCHRIJVING
DATE	PAGE	DESCRIPTION
DATUM	SEITE	BESCHREIBUNG
DATE	PAGE	DESCRIPTION
11/07/2016		EERSTE DRUK PREMIERE EDITION ERSTAUSGABE FIRST EDITION
01/09/2016	74	ACMC617C TOEGEVOEGD AAN TOEBEHOREN ACMC617C AJOUTEES A ACCESSOIRES ACMC617C HINZUGEFUGT AN ZUBEHORTEILE ACMC617C ADDED TO ACCESSORIES
07/11/2016	104	ACMC2532 → ACMC2532T, ACMC651 VERWIJDERD ACMC2532 → ACMC2532T, ACMC651 SUPPRIME ACMC2532 → ACMC2532T, ACMC651 ERSETZT ACMC2532 → ACMC2532T, ACMC651 DELETED
05/01/2017	77	ACMC661 → 50ST ACMC661 → 50PC ACMC661 → 50ST ACMC661 → 50PC
19/04/2017	76	ACMC640 → 25ST ACMC640 → 25PC ACMC640 → 25ST ACMC640 → 25PC
12/05/2017	83	ACMC782, ACMC795, ACMC796, ACMC797 → 10ST ACMC782, ACMC795, ACMC796, ACMC797 → 10PC ACMC782, ACMC795, ACMC796, ACMC797 → 10ST ACMC782, ACMC795, ACMC796, ACMC797 → 10PC
15/05/2017	71	ACMC255, ACMC256, ACMC257, ACMC258, ACMC660 → 50ST, ACMC031, ACMC156 → 100ST ACMC255, ACMC256, ACMC257, ACMC258, ACMC660 → 50PC, ACMC031, ACMC156 → 100PC ACMC255, ACMC256, ACMC257, ACMC258, ACMC660 → 50ST, ACMC031, ACMC156 → 100ST ACMC255, ACMC256, ACMC257, ACMC258, ACMC660 → 50PC, ACMC031, ACMC156 → 100PC
15/05/2017	83	ACMC781, ACMC783, ACMC784, ACMC785, ACMC786, ACMC787, ACMC790 → 10ST, ACMC15451W → 25M ACMC781, ACMC783, ACMC784, ACMC785, ACMC786, ACMC787, ACMC790 → 10PC, ACMC15451W → 25M ACMC781, ACMC783, ACMC784, ACMC785, ACMC786, ACMC787, ACMC790 → 10ST, ACMC15451W → 25M ACMC781, ACMC783, ACMC784, ACMC785, ACMC786, ACMC787, ACMC790 → 10PC, ACMC15451W → 25M
31/05/2017	67	ACMC151 → 150M ACMC151 → 150M ACMC151 → 150M ACMC151 → 150M
14/09/2017		UPDATE VERPAKKINGSHOEVEELHEDEN TOEBEHOREN, MC013 VERWIJDERD MISE A JOUR QUANTITES D'EMBALLAGE, MC013 SUPPRIME AKTUALISIERUNG VERPACKUNGS MENGEN, MC013 GELÖSCHT UPDATE PACKAGING QUANTITIES ACCESSORIES, MC013 DELETED
15/09/2017		MC020 VERWIJDERD, MELDING P 411 EN P454 MC020 SUPPRIME, NOTIFICATIONP 411 ET P454 MC020 ERSETZT, HINWEIS P 411 UND P454 MC020 DELETED, NOTICE P 411 AND P454





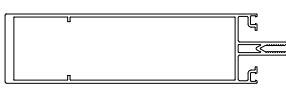

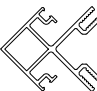

# MC-WALL

DATUM	PAGINA	OMSCHRIJVING
DATE	PAGE	DESCRIPTION
DATUM	SEITE	BESCHREIBUNG
DATE	PAGE	DESCRIPTION
02/10/2017	72	ACTG462 VERVANGEN DOOR ACMC462, UPDATE VERPAKKINGSHOEVEELHEDEN EPDM ROLLEN P124 ACTG462 REMPLACER PAR ACMC462, MISE A JOUR QUANTITES ROULEAU EPDM P124 ACTG462 ERSETZT DURCH ACMC462, AKTUALISIERUNG VERPACKUNGS MENGEN EPDM ROLLE P124 ACTG462 REPLACED BY ACMC462, UPDATE PACKAGING QUANTITIES EPDM ROLLS P124
03/11/2017	14	MC434 TOEGEVOEGD MC434 AJOUTÉ MC434 HINZUGEFUGT MC434 ADDED
15/11/2017	442	ONTWATERING MC056 TOEGEVOEGD DRAINAGE MC056 AJOUTÉ ENTWASSERUNG MC056 HINZUGEFUGT DRAINAGE MC056 ADDED
18/01/2018	422	AANPASSING TEKENINGEN MET ACMC631 ADAPTATION DES DESSINS AVEC ACMC631 ANPASSUNG DER ZEICHNUNGEN MIT ACMC631 ADJUSTMENT DRAWINGS WITH ACMC631

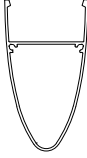


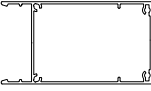
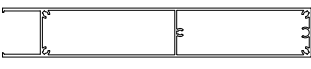
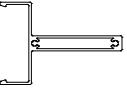


NUMMER NUMERO NUMBER NUMBER	AFBEELDING IMAGE BILD PICTURE	OMSCHRIJVING DESCRIPTION BESCHREIBUNG DESCRIPTION	BLAD PAGE SEITE PAGE	OMTREK PERIM. PERIM. (MM)	MECH. MEC. MEC. (MM)	IX (CM4) WX (CM3)	IY (CM4) WY (CM3)	LENGTE LONG. LONGE LENGTH (M)
MC005		ISOLATOR ISOLATEUR ISOLATOR INSULATOR  PVC  H = 21mm	60	/	/	/	/	7.0
MC005H		ISOLATOR +SNOR ISOLATEUR + MOUSTASCHE ISOLATOR + SCHNURRBART INSULATOR + MUSTASCHE  PVC  H = 21mm	60	/	/	/	/	7.0
MC006		ISOLATOR ISOLATEUR ISOLATOR INSULATOR  PVC  H = 10mm	60	/	/	/	/	7.0
MC006H		ISOLATOR +SNOR ISOLATEUR + MOUSTASCHE ISOLATOR + SCHNURRBART INSULATOR + MUSTASCHE  PVC  H = 10mm	60	/	/	/	/	7.0
MC007		EXTRA PROFIEL PROFIL SUPPLEMENTAIRE ZUSATZLICHEN PROFIL ADDITIONAL PROFILE  PVC  H x B = 20 x 22mm	60	/	/	/	/	7.0
MC008		ISOLATOR ISOLATEUR ISOLATOR INSULATOR  PVC  H = 5mm	60	/	/	/	/	7.0
MC008H		ISOLATOR +SNOR ISOLATEUR + MOUSTASCHE ISOLATOR + SCHNURRBART INSULATOR + MUSTASCHE  PVC  H = 5mm	60	/	/	/	/	7.0
MC009		ISOLATOR ISOLATEUR ISOLATOR INSULATOR  PVC  H = 5mm	60	/	/	/	/	7.0

# MC-WALL



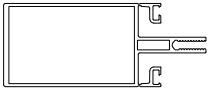
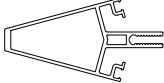




NUMMER NUMERO NUMMER NUMBER	AFBEELDING IMAGE BILD PICTURE	OMSCHRIJVING DESCRIPTION BESCHREIBUNG DESCRIPTION	BLAD PAGE SEITE PAGE	OMTREK PERIM. PERIM. PERIM. (MM)	MECH. MEC. MECH. MEC. (MM)	IX (CM4) ----- WX (CM3)	IY (CM4) ----- WY (CM3)	LENGTE LONG. LANGE LENGTH (M)
<b>MC009H</b>		ISOLATOR +SNOR ISOLATEUR + MOUSTASCHE ISOLATOR + SCHNURRBART INSULATOR + MUSTASCHE  PVC  H = 5mm	60	/	/	/	/	7.0
<b>MC010</b>		STIJL MONTANT PFOSTEN MULLION  H = 40mm	23	400.2	134.7	18.69 ----- 5.08	18.69 ----- 6.79	7.0
<b>MC011</b>		STIJL MONTANT PFOSTEN MULLION  H = 69mm	23	458.2	192.7	59.17 ----- 12.18	27.39 ----- 9.96	7.0
<b>MC012</b>		STIJL MONTANT PFOSTEN MULLION  H = 104mm	24	528.2	262.7	132.76 ----- 19.76	35.47 ----- 12.89	7.0
<b>MC014</b>		STIJL MONTANT PFOSTEN MULLION  H = 104mm	24	528.2	262.7	166.1 ----- 25.11	38.34 ----- 13.95	7.0
<b>MC015</b>		STIJL MONTANT PFOSTEN MULLION  H = 250mm	30	818.7	554.7	1954.86 ----- 133.89	117.8 ----- 42.83	7.0
<b>MC016</b>		STIJL MONTANT PFOSTEN MULLION  H = 129mm	28	578.2	312.7	309.29 ----- 37.53	47.61 ----- 17.31	7.0 4.0
<b>MC017</b>		STIJL MONTANT PFOSTEN MULLION  H = 154mm	28	628.2	362.7	511.32 ----- 52.18	64.04 ----- 23.28	7.0

NUMMER NUMERO NUMMER NUMBER	AFBEELDING IMAGE BILD PICTURE	OMSCHRIJVING DESCRIPTION BESCHREIBUNG DESCRIPTION	BLAD PAGE SEITE PAGE	OMTREK PERIM. PERIM. PERIM. (MM)	MECH. MEC. MEC. MEC. (MM)	IX (CM4) ----- WX (CM3)	IY (CM4) ----- WY (CM3)	LENGTE LONG. LANGE LENGTH (M)
MC018		STIJL MONTANT PFOSTEN MULLION  H = 179mm	27	678.2	412.7	795.34 ----- 68.96	74.75 ----- 27.18	7.0
MC019		STIJL MONTANT PFOSTEN MULLION  H = 121.5mm	25	563.2	297.7	216.66 ----- 29.45	43.04 ----- 15.65	7.0
MC021		STIJL MONTANT PFOSTEN MULLION  H = 121.5mm	25	563.2	297.7	251.78 ----- 33.01	44.69 ----- 16.25	7.0
MC022		STIJL MONTANT PFOSTEN MULLION  H = 146mm	26	623.4	346.7	425.31 ----- 47.06	49.88 ----- 18.13	7.0
MC023		STIJL MONTANT PFOSTEN MULLION  H = 200mm	29	731.5	454.7	1009.48 ----- 82.55	81.06 ----- 29.48	7.0
MC024		HOEKSTIJL MONTANT D'ANGLE ECKPFOSTEN CORNER MULLION  H = 147mm	32	173.6	33.3	531.19 ----- 53.94	67.04 ----- 23.93	7.0
MC025		HOEKSTIJL MONTANT D'ANGLE ECKPFOSTEN CORNER MULLION  H = 39.5mm	32	481.5	79.5	16.86 ----- 4.57	16.86 ----- 4.57	7.0
MC050		VERTICALE KAP SOFT-LINE CAPOT VERTICAL SOFT-LINE DECKLEISTE SENKRECHT SOFT-LINE VERTICAL CAP SOFT-LINE  H = 30mm	43	205.8	102.7	/	/	7.0



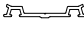
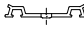
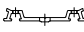



# MC-WALL

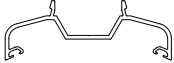

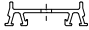


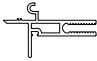

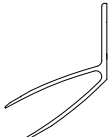
NUMMER NUMERO NUMMER NUMBER	AFBEELDING IMAGE BILD PICTURE	OMSCHRIJVING DESCRIPTION BESCHREIBUNG DESCRIPTION	BLAD PAGE SEITE PAGE	OMTREK PERIM. PERIM. PERIM. (MM)	MECH. MEC. MECH. MEC. (MM)	IX (CM4) ----- WX (CM3)	IY (CM4) ----- WY (CM3)	LENGTE LONG. LANGE LENGTH (M)
MC051		KAP ELLIPS-LINE CAPOT ELLIPS-LINE DECKLEISTE ELLIPS-LINE CAP ELLIPS-LINE  H = 100mm	44	330.6	217.5	/	/	7.0
MC055		KLEMPROFIEL PROFIL DE SERRAGE DRUCKLEISTE SUB-PROFILE  H = 4.5 MM	41	129.1	59	/	/	7.0
MC056		KLEMPROFIEL PROFIL DE SERRAGE DRUCKLEISTE SUB-PROFILE  H = 12.5 MM	41	143.3	48.7	/	/	7.0
MC057		VERTICALE KAP CAPOT VERTICAL DECKLEISTE SENKRECHT VERTICAL CAP  H = 100mm	44	355.1	254.6	/	/	7.0
MC058		VERTICALE KAP CAPOT VERTICAL DECKLEISTE SENKRECHT VERTICAL CAP  H = 245mm	45	630	528.6	/	/	7.0
MC059		VERTICALE KAP CAPOT VERTICAL DECKLEISTE SENKRECHT VERTICAL CAP  H = 81mm	44	90.3	39.1	/	/	7.0
MC066		LIJMKADER VOOR ENKEL GLAS CADRE DE VERRE SIMPLE FELD FÜR EINFACH GLAS SINGLE GLASS GLUE FRAME	49	101.2	51.5	/	/	7.0
MC069		KOPPELPROFIEL PROFIL SUPPORT KUPPLUNG PROFIL CONNECTION PROFILE	49	74.3	16	/	/	6.5



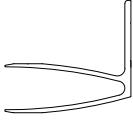
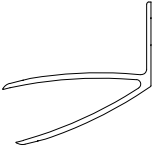
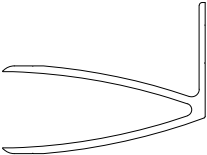




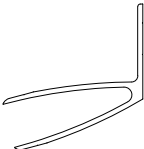
NUMMER NUMERO NUMBER NUMBER	AFBEELDING IMAGE BILD PICTURE	OMSCHRIJVING DESCRIPTION BESCHREIBUNG DESCRIPTION	BLAD PAGE SEITE PAGE	OMTREK PERIM. PERIM. PERIM. (MM)	MECH. MEC. MECH. MEC. (MM)	IX (CM4)		IY (CM4)		LENGTE LONG. LANGE LENGTH (M)
						WX (CM3)	WY (CM3)	WX (CM3)	WY (CM3)	
<b>MC071</b>		C-PROFIEL MC GLASS PROFIL-C MC GLASS C PROFIL MC GLASS C-PROFILE MC GLASS	49	56.1	56.1	/	/	/	/	4.0
<b>MC080</b>		AANSLUITPROFIEL PROFIL DE JONCTION ANSCHLUSSPROFIL CONNECTION PROFILE	50	408.1	202.6	/	/	/	/	7.0
<b>MC114</b>		VARIABLE STIJL MONTANT VARIABEL VARIABLE PFOSTEN VARIABLE MULLION  H = 104mm	32	572.2	263.3	183.61	38.48	26.3	13.99	7.0
<b>MC115</b>		STIJL MONTANT PFOSTEN MULLION  H = 76.5mm  30°	32	450.8	172.6	61.08	13.73	10.98	4.99	7.0
<b>MC116</b>		AFSTANDSHOUDER ESPACEUR DISTANZSTUCK SPACER  H = 10mm	49	85	20.4	/	/	/	/	7.0
<b>MC117</b>		AFSTANDSHOUDER ESPACEUR DISTANZSTUCK SPACER  H = 5mm	49	48.1	10.4	/	/	/	/	7.0
<b>MC118</b>		AFSTANDSHOUDER ESPACEUR DISTANZSTUCK SPACER  H = 20mm	49	105	40.4	/	/	/	/	7.0
<b>MC149</b>		KLEMLAT VOOR MC058 SUPPORT POUR MC058 TRAGER FUR MC058 SUB-PROFILE FOR MC058	45	432.6	61.2	39.7	3.8	8.9	2.5	7.0


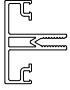
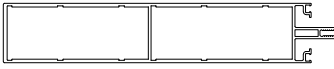
# MC-WALL

NUMMER NUMERO NUMMER NUMBER	AFBEELDING IMAGE BILD PICTURE	OMSCHRIJVING DESCRIPTION BESCHREIBUNG DESCRIPTION	BLAD PAGE SEITE PAGE	OMTREK PERIM. PERIM. PERIM. (MM)	MECH. MEC. MECH. MEC. (MM)	IX (CM4) WX (CM3)	IY (CM4) WY (CM3)	LENGTE LONG. LANGE LENGTH (M)
<b>MC150</b>		KLEMLAT SUPPORT TRAGER SUB-PROFILE	41	185.3	/	/	/	7.0
<b>MC150D</b>		KLEMLAT GEPERFOREERD SUPPORT PERFOREE TRAGER PERFORIERT SUB-PROFILE PERFORATED	41	185.3	/	/	/	7.0
<b>MC151</b>		KLEMLAT SUPPORT TRAGER SUB-PROFILE	41	157.1	/	/	/	7.0
<b>MC151D</b>		KLEMLAT GEPERFOREERD SUPPORT PERFOREE TRAGER PERFORIERT SUB-PROFILE PERFORATED	41	157.1	/	/	/	7.0
<b>MC151DK</b>		KLEMLAT GEPERFOREERD VOOR MC720 - MC740 SUPPORT PERFOREE POUR MC720 - MC740 TRAGER PERFORIERT FUR MC720 - MC740 SUB-PROFILE PERFORATED FOR MC720 - MC740	41	157.1	/	/	/	7.0
<b>MC152</b>		KLEMLAT SUPPORT TRAGER SUB-PROFILE  15°	41	186.2	/	/	/	7.0
<b>MC155</b>		STEUNPROFIEL PROFIL DE SUPPORT STUTZPROFEL SUPPORT PROFILE  PVC	41	61.1	/	/	/	7.0
<b>MC156</b>		KAP CAPOT DECKLEISTE COVER PROFILE	41	59.3	22.1	/	/	7.0



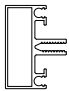

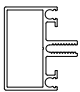
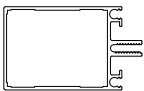
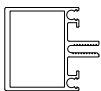

NUMMER NUMERO NUMBER NUMBER	AFBEELDING IMAGE BILD PICTURE	OMSCHRIJVING DESCRIPTION BESCHREIBUNG DESCRIPTION	BLAD PAGE SEITE PAGE	OMTREK PERIM. PERIM. PERIM. (MM)	MECH. MEC. MECH. MEC. (MM)	IX (CM4) ----- WX (CM3)	IY (CM4) ----- WY (CM3)	LENGTE LONG. LANGE LENGTH (M)
<b>MC157</b>		KLEMLAT SUPPORT TRAGER SUB-PROFILE  15° - 30°	43	427.5	111	/	/	7.0
<b>MC160</b>		KLEMLAT SUPPORT TRAGER SUB-PROFILE	41	210.1	/	/	/	7.0
<b>MC160D</b>		KLEMLAT GEPERFOREERD SUPPORT PERFOREE TRAGER PERFORIERT SUB-PROFILE PERFORATED	41	210.1	/	/	/	7.0
<b>MC165</b>		EXTRA PROFIEL PROFIL SUPPLEMENTAIRE ZUSATZLICHEN PROFIL ADDITIONAL PROFILE  PVC  H x B = 20 x 26mm	60	92	/	/	/	7.0
<b>MC166</b>		EXTRA PROFIEL PROFIL SUPPLEMENTAIRE ZUSATZLICHEN PROFIL ADDITIONAL PROFILE  PVC  H x B = 28 x 24mm	60	103.1	/	/	/	7.0
<b>MC200</b>		DILATATIE PROFIEL PROFIL DE DILATATION DILATATION PROFIL DILATATION PROFILE	33	277	/	8.09 ----- 8.1	1.25 ----- 1.2	7.0
<b>MC212</b>		DILATATIE STIJL MONTANT DE DILATATION DILATATION PFOSTEN DILATATION MULLION  H = 104mm	33	379.8	128.4	61.36 ----- 11.09	4.05 ----- 2.79	7.0
<b>MC242</b>		BEUGEL VOOR MC250 SUPPORT POUR MC250 TRAGER FÜR MC250 BRACKET FOR MC250  30°	52	450	220.2	/	/	7.0


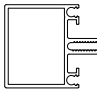






# MC-WALL

NUMMER NUMERO NUMMER NUMBER	AFBEELDING IMAGE BILD PICTURE	OMSCHRIJVING DESCRIPTION BESCHREIBUNG DESCRIPTION	BLAD PAGE SEITE PAGE	OMTREK PERIM. PERIM. PERIM. (MM)	MECH. MEC. MECH. MEC. (MM)	IX (CM4) ----- WX (CM3)	IY (CM4) ----- WY (CM3)	LENGTE LONG. LANGE LENGTH (M)
MC244		BEUGEL VOOR MC250 SUPPORT POUR MC250 TRAGER FUR MC250 BRACKET FOR MC250  90°	52	447.5	218.4	/	/	7.0
MC245		BEUGEL VOOR MC249 - MC253 SUPPORT POUR MC249 - MC253 TRAGER FUR MC249 - MC253 BRACKET FOR MC249 - MC253  14°	53	681.5	344.2	/	/	7.0
MC248		BEUGEL VOOR MC249 - MC253 SUPPORT POUR MC249 - MC253 TRAGER FUR MC249 - MC253 BRACKET FOR MC249 - MC253  90°	53	671.7	336.6	/	/	7.0
MC249		ZONWERINGSPROFIEL BRISE-SOLEIL SONNENSCHUTZ PROFIL SUNBLADE PROFILE  B = 250mm	51	518.5	518.5	/	/	7.0
MC250		ZONWERINGSPROFIEL BRISE-SOLEIL SONNENSCHUTZ PROFIL SUNBLADE PROFILE  B = 158mm	51	330	330	/	/	7.0
MC251		ZONWERINGSPROFIEL BRISE-SOLEIL SONNENSCHUTZ PROFIL SUNBLADE PROFILE  B = 200mm	51	417.7	417.7	/	/	7.0
MC253		ZONWERINGSPROFIEL BRISE-SOLEIL SONNENSCHUTZ PROFIL SUNBLADE PROFILE  B = 350mm	51	717.7	717.7	/	/	7.0
MC255		BEUGEL VOOR MC251 SUPPORT POUR MC251 TRAGER FUR MC251 BRACKET FOR MC251  15°	52	570.9	287	/	/	7.0





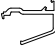

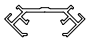

NUMMER NUMERO NUMMER NUMBER	AFBEELDING IMAGE BILD PICTURE	OMSCHRIJVING DESCRIPTION BESCHREIBUNG DESCRIPTION	BLAD PAGE SEITE PAGE	OMTREK PERIM. PERIM. PERIM. (MM)	MECH. MEC. MECH. MEC. (MM)	IX (CM4) ----- WX (CM3)	IY (CM4) ----- WY (CM3)	LENGTE LONG. LANGE LENGTH (M)
MC258		BEVESTIGINGSPLAATJE PLAQUE FIXATION BEFESTIGUNGS PLATTE FIXATION PLATE  * ACMC258	48	83.5	/	/	/	7.0
MC259		BEVESTIGINGSPLAATJE PLAQUE FIXATION BEFESTIGUNGS PLATTE FIXATION PLATE  * ACMC259	48	63.3	/	/	/	7.0
MC410		STIJL MONTANT PFOSTEN MULLION  H = 17.5m	23	367.1	90.1	6.06 ----- 2.19	10.19 ----- 3.7	7.0
MC413		STIJL MONTANT PFOSTEN MULLION  H = 79mm	23	473.8	212.7	92.08 ----- 16.47	32.23 ----- 11.72	7.0
MC415		STIJL MONTANT PFOSTEN MULLION  H = 326mm	31	972.2	706.7	4092.13 ----- 210.45	167.57 ----- 60.93	7.0
MC416		STIJL MONTANT PFOSTEN MULLION  H = 200mm	29	731.5	454.7	1121.98 ----- 89.36	97.44 ----- 35.43	7.0
MC417		STIJL MONTANT PFOSTEN MULLION  H = 285mm	31	473.8	212.7	2200 ----- 139.93	130.55 ----- 47.47	7.0
MC418		STIJL MONTANT PFOSTEN MULLION  H = 179mm	27	689.5	412.7	668.67 ----- 63.97	65.48 ----- 23.81	7.0

# MC-WALL

NUMMER NUMERO NUMMER NUMBER	AFBEELDING IMAGE BILD PICTURE	OMSCHRIJVING DESCRIPTION BESCHREIBUNG DESCRIPTION	BLAD PAGE SEITE PAGE	OMTREK PERIM. PERIM. PERIM. (MM)	MECH. MEC. MECH. MEC. (MM)	IX (CM4) ----- WX (CM3)	IY (CM4) ----- WY (CM3)	LENGTE LONG. LANGE LENGTH (M)
<b>MC420</b>		STIJL MONTANT PFOSTEN MULLION  H = 146mm	26	607.7	346.7	356.87 ----- 42.14	47.8 ----- 17.38	7.0
<b>MC434</b>		KOPPELPROFIEL ADAPTEUR KUPPLUNG COUPLING  H = 22mm	49	94.99	37.68	/	/	6.6
<b>MC510</b>		HORIZONTALE REGEL TRAVERSE HORIZONTAL HORIZONTAL RIEGEL HORIZONTAL TRANSOM  H = 27mm	37	312.6	109.1	5.05 ----- 2.24	11.88 ----- 4.32	7.0
<b>MC516</b>		HORIZONTALE REGEL TRAVERSE HORIZONTAL HORIZONTAL RIEGEL HORIZONTAL TRANSOM  H = 209mm	40	676.3	472.7	760.34 ----- 67.8	77.51 ----- 28.18	7.0
<b>MC530</b>		HORIZONTALE REGEL TRAVERSE HORIZONTAL HORIZONTAL RIEGEL HORIZONTAL TRANSOM  H = 35mm	37	332.8	124.7	9.497 ----- 3.61	15.49 ----- 5.63	7.0
<b>MC531</b>		HORIZONTALE REGEL TRAVERSE HORIZONTAL HORIZONTAL RIEGEL HORIZONTAL TRANSOM  H = 78mm	37	416.1	210.7	58.89 ----- 12.44	28.31 ----- 10.29	7.0
<b>MC532</b>		HORIZONTALE REGEL TRAVERSE HORIZONTAL HORIZONTAL RIEGEL HORIZONTAL TRANSOM  H = 49mm	37	364.4	152.7	26.01 ----- 7.45	22.71 ----- 8.26	7.0
<b>MC533</b>		HORIZONTALE REGEL TRAVERSE HORIZONTAL HORIZONTAL RIEGEL HORIZONTAL TRANSOM  H = 88mm	38	436.1	230.7	99.77 ----- 18.49	35.16 ----- 12.78	7.0

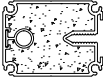



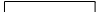

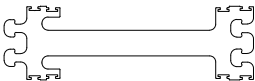
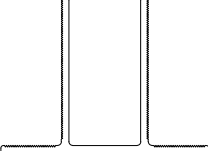
NUMMER NUMERO NUMBER NUMBER	AFBEELDING IMAGE BILD PICTURE	OMSCHRIJVING DESCRIPTION BESCHREIBUNG DESCRIPTION	BLAD PAGE SEITE PAGE	OMTREK PERIM. PERIM. PERIM. (MM)	MECH. MEC. MECH. MEC. (MM)	IX (CM4) ----- WX (CM3)	IY (CM4) ----- WY (CM3)	LENGTE LONG. LANGE LENGTH (M)
<b>MC534</b>		HORIZONTALE REGEL TRAVERSE HORIZONTAL HORIZONTAL RIEGEL HORIZONTAL TRANSOM  H = 113mm	38	492.4	280.7	180.74 ----- 27.55	43.17 ----- 15.7	7.0
<b>MC535</b>		HORIZONTALE REGEL TRAVERSE HORIZONTAL HORIZONTAL RIEGEL HORIZONTAL TRANSOM  H = 49mm	37	361	152.7	22.35 ----- 6.72	21.42 ----- 7.79	7.0
<b>MC536</b>		HORIZONTALE REGEL TRAVERSE HORIZONTAL HORIZONTAL RIEGEL HORIZONTAL TRANSOM  H = 163mm	39	590	382.7	437.72 ----- 48.37	59.46 ----- 21.62	7.0
<b>MC537</b>		HORIZONTALE REGEL TRAVERSE HORIZONTAL HORIZONTAL RIEGEL HORIZONTAL TRANSOM  H = 131mm	38	524.6	316.3	230.87 ----- 31.71	47.12 ----- 17.13	7.0
<b>MC538</b>		HORIZONTALE REGEL TRAVERSE HORIZONTAL HORIZONTAL RIEGEL HORIZONTAL TRANSOM  H = 138.5mm	39	539.6	331.3	264.17 ----- 34.42	49.47 ----- 17.99	7.0
<b>MC539</b>		HORIZONTALE REGEL TRAVERSE HORIZONTAL HORIZONTAL RIEGEL HORIZONTAL TRANSOM  H = 155mm	39	570.1	364.7	380.67 ----- 44.13	56.57 ----- 20.57	7.0
<b>MC540</b>		HORIZONTALE REGEL TRAVERSE HORIZONTAL HORIZONTAL RIEGEL HORIZONTAL TRANSOM  H = 188mm	40	634.3	430.7	612.41 ----- 60.40	67.13 ----- 24.41	7.0
<b>MC541</b>		HORIZONTALE REGEL TRAVERSE HORIZONTAL HORIZONTAL RIEGEL HORIZONTAL TRANSOM  H = 294mm	40	846.1	624.7	1831.13 ----- 118.51	104.33 ----- 37.94	7.0

# MC-WALL

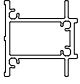
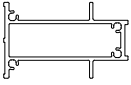
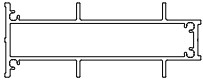





NUMMER NUMERO NUMMER NUMBER	AFBEELDING IMAGE BILD PICTURE	OMSCHRIJVING DESCRIPTION BESCHREIBUNG DESCRIPTION	BLAD PAGE SEITE PAGE	OMTREK PERIM. PERIM. PERIM. (MM)	MECH. MEC. MECH. MEC. (MM)	IX (CM4) ----- WX (CM3)	IY (CM4) ----- WY (CM3)	LENGTE LONG. LANGE LENGTH (M)
<b>MC705</b>		HOEKPROFIEL BINNEN PROFIL COIN INTERIEUR INNEN ECKPROFIL INSIDE ANGULAR PROFIL  15°	49	42.1	8.3	/	/	7.0
<b>MC710</b>		HOEKPROFIEL BINNEN PROFIL COIN INTERIEUR INNEN ECKPROFIL INSIDE ANGULAR PROFIL  30°	49	39.8	6.9	/	/	7.0
<b>MC720</b>		HOEKPROFIEL BUITEN PROFIL COIN EXTERIEUR AUSSEN ECKPROFIL OUTSIDE ANGULAR PROFIL  30°	49	129.8	37.5	/	/	7.0
<b>MC730</b>		HOEKPROFIEL BINNEN PROFIL COIN INTERIEUR INNEN ECKPROFIL INSIDE ANGULAR PROFIL  45°	49	51.6	8.9	/	/	7.0
<b>MC740</b>		HOEKPROFIEL BUITEN PROFIL COIN EXTERIEUR AUSSEN ECKPROFIL OUTSIDE ANGULAR PROFIL  45°	49	176.5	50.5	/	/	7.0
<b>MC760</b>		HOEKPROFIEL BINNEN PROFIL COIN INTERIEUR INNEN ECKPROFIL INSIDE ANGULAR PROFIL  45°	49	245.2	101.6	/	/	7.0
<b>MC765</b>		KLEMLAT SUPPORT TRAGER    45°	49	242.3	34.5	/	/	7.0
<b>MC800</b>		BRANDWERENDE INSERT VOOR STIJLEN INSERT IGNIFUGE POUR MONTANTS FEUERBESTANDIGE INSERT FÜR PFOSTEN FIREPROOF INSERT FOR MULLIONS	56	350.7	/	31.87 ----- 9.12	18.05 ----- 7.25	7.0


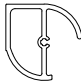




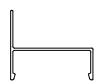

**NOT CURRENTLY AVAILABLE IN THE UK**



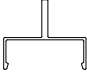





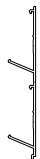

NUMMER NUMERO NUMMER NUMBER	AFBEELDING IMAGE BILD PICTURE	OMSCHRIJVING DESCRIPTION BESCHREIBUNG DESCRIPTION	BLAD PAGE SEITE PAGE	OMTREK PERIM. PERIM. PERIM. (MM)	MECH. MEC. MECH. MECH. (MM)	IX (CM4) ----- WX (CM3)	IY (CM4) ----- WY (CM3)	LENGTE LONG. LANGE LENGTH (M)
MC801		BRANDWERENDE INSERT VOOR REGEL INSERT IGNIFUGE POUR TRAVERSE FEUERBESTANDIGE INSERT FÜR RIEGEL FIREPROOF INSERT FOR TRANSOM	56	350.7	/	35.78 ----- 10.58	18.15 ----- 7.28	7.0
<b>NOT CURRENTLY AVAILABLE IN THE UK</b>								
MC803		BRANDWERENDE INSERT VOOR STIJLEN INSERT IGNIFUGE POUR MONTANTS FEUERBESTANDIGE INSERT FÜR PFOSTEN FIREPROOF INSERT FOR MULLIONS	56	324.1	/	14.77 ----- 6.07	15.61 ----- 6.21	7.0
<b>NOT CURRENTLY AVAILABLE IN THE UK</b>								
MC805		PLATSTAAF PLAT RECHTECKSTANGE RECTANGULAR BAR  30 x 1.5mm INOX	56	63	/	/	/	4.0
<b>NOT CURRENTLY AVAILABLE IN THE UK</b>								
MC835		HORIZONTALE REGEL TRAVERSE HORIZONTAL HORIZONTAL RIEGEL HORIZONTAL TRANSOM  H = 70mm	37	387.5	194.7	59.127 ----- 13.04	29.42 ----- 10.69	7.0
ALP702		PLATSTAAF PLAT RECHTECKSTANGE RECTANGULAR BAR  60 x 8mm	48	135.1	/	/	/	5.0
ALP704		U - PROFIEL PROFIL U U - PROFIL U - BAR  50 x 40 x 4 mm	48	246.6	/	7.87 ----- 2.98	19.67 ----- 7.87	6.0
ALP705		VERBINDINGSPROFIEL PROFIL DE CONNECTION VERBINDUNGSPROFIL CONNECTION PROFILE  50 x 40 x 4 mm	47	246.6	/	996.45 ----- 15.44	37.69 ----- 118.27	6.5
ALP706 PL		PROFIEL VOOR VERANKERINGEN PROFIL POUR ADAPTATION PROFIL FÜR VERANKERUNG PROFILE FOR ANCHORINGS  50 x 40 x 4 mm	46	1020.1	/	/	/	4.0

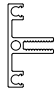


# MC-WALL

NUMMER NUMERO NUMMER NUMBER	AFBEELDING IMAGE BILD PICTURE	OMSCHRIJVING DESCRIPTION BESCHREIBUNG DESCRIPTION	BLAD PAGE SEITE PAGE	OMTREK PERIM. PERIM. PERIM. (MM)	MECH. MEC. MECH. MEC. (MM)	IX (CM4) ----- WX (CM3)	IY (CM4) ----- WY (CM3)	LENGTE LONG. LANGE LENGTH (M)
ALP714		VERSTEVIINGSSPROFIEL PROFIL DE RENFORCEMENT VERSTÄRKUNGSPROFIL REINFORCING PROFILE	34	270	/	15.51 ----- 6.06	8.87 ----- 3.53	7.0
ALP715		VERSTEVIINGSSPROFIEL PROFIL DE RENFORCEMENT VERSTÄRKUNGSPROFIL REINFORCING PROFILE	34	338	/	53.91 ----- 12.22	11.07 ----- 4.41	7.0
ALP716		VERSTEVIINGSSPROFIEL PROFIL DE RENFORCEMENT VERSTÄRKUNGSPROFIL REINFORCING PROFILE	34	468.5	/	172.64 ----- 25.27	15.6 ----- 6.34	7.0
ALP717		PROFIEL VOOR GLASSTEUN PROFIL POUR SUPPORT DE VITRAGE PROFIL FÜR KLOTZBRÜCKE PROFILE FOR GLAZING SUPPORT  66mm	48	152.9	/	/	/	7.0
ALP718		PLATSTAAF PLAT RECHTECKSTANGE RECTANGULAR BAR  180 x 10mm	48	135.1	/	486.0 ----- 54	1.5 ----- 3	6.0
ALP719		PLATSTAAF PLAT RECHTECKSTANGE RECTANGULAR BAR  160 x 10mm	48	340	/	341.33 ----- 42.66	1.33 ----- 2.66	6.0
ALP720		PLATSTAAF PLAT RECHTECKSTANGE RECTANGULAR BAR  120 x 8mm	48	256	/	115.2 ----- 19.2	0.51 ----- 1.28	6.0
ALP725		VERSTEVIINGSSPROFIEL PROFIL DE RENFORCEMENT VERSTÄRKUNGSPROFIL REINFORCING PROFILE	33	468.5	/	172.64 ----- 25.27	15.6 ----- 6.34	7.0

NUMMER NUMERO NUMMER NUMBER	AFBEELDING IMAGE BILD PICTURE	OMSCHRIJVING DESCRIPTION BESCHREIBUNG DESCRIPTION	BLAD PAGE SEITE PAGE	OMTREK PERIM. PERIM. PERIM. (MM)	MECH. MEC. MECH. MEC. (MM)	IX (CM4) ----- WX (CM3)	IY (CM4) ----- WY (CM3)	LENGTE LONG. LANGE LENGTH (M)
ALP739		PROFIL VOOR C-VERBINDINGEN PROFIL POUR C-CONNECTIONS PROFIL FUR C-VERBINDUNGEN PROFILE FOR C-BRACKETS	48	234.3	/	15.47 ----- 6.18	5.49 ----- 2.02	7.0
ALP752		PROFIEL VOOR VARIABLE VERBINDING PROFIL POUR SUPPORT REGLABLE PROFIL FUR VERSTELBARE VERBINDUNG PROFILE FOR ADJUSTABLE BRACKET	48	229.6	/	/	/	7.0
DK052E		DEKPROFIEL PROFIL COUVERTURE ABDECKPROFIL COVERPROFILE  H = 13mm	42	161.2	80.8	/	/	7.0
DK052N		DEKPROFIEL PROFIL COUVERTURE ABDECKPROFIL COVERPROFILE  H = 16mm	42	170.4	86.2	/	/	7.0
DK053		DEKPROFIEL PROFIL COUVERTURE ABDECKPROFIL COVERPROFILE  H = 21mm	42	190.4	96.2	/	/	7.0
DK053E		DEKPROFIEL PROFIL COUVERTURE ABDECKPROFIL COVERPROFILE  H = 15mm	42	170.1	84.9	/	/	7.0
DK054		ZIJDEKPROFIEL CAPOT LATERAL SEITEN ABDECKPROFIL SIDE COVERPROFILE  H = 21mm	42	240	146	/	/	7.0
DK055		DEKPROFIEL PROFIL COUVERTURE ABDECKPROFIL COVERPROFILE  H = 46mm	42	289.5	196.7	/	/	7.0

# MC-WALL

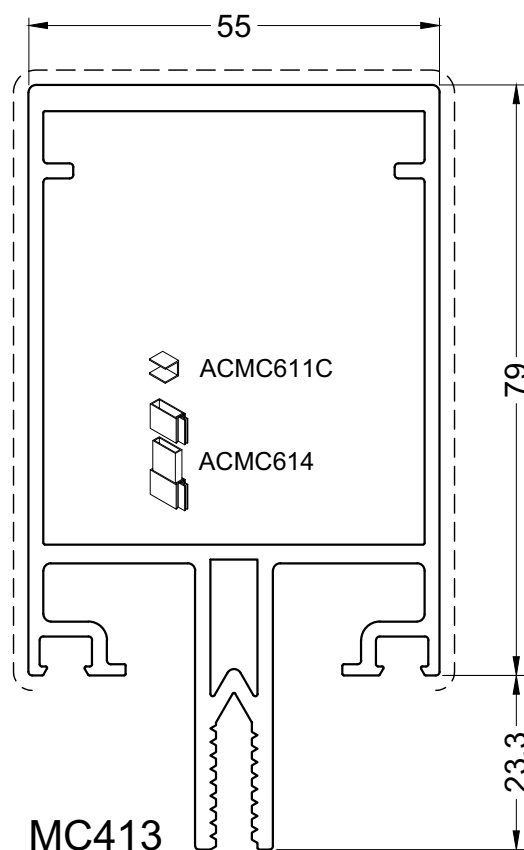
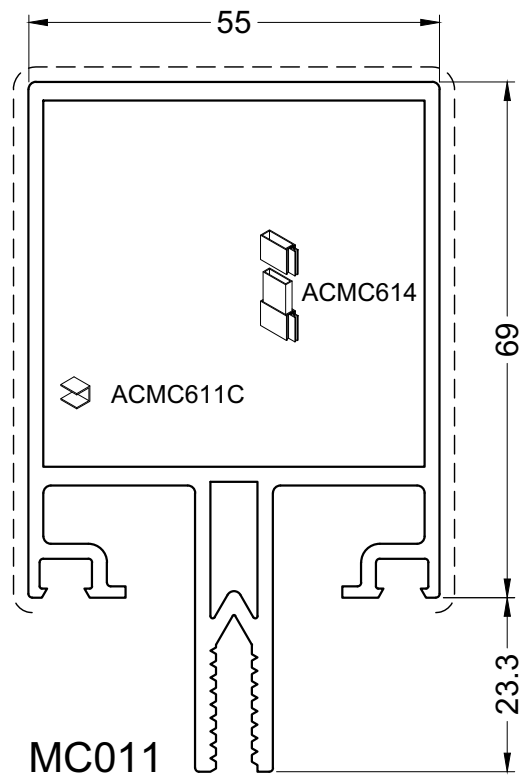
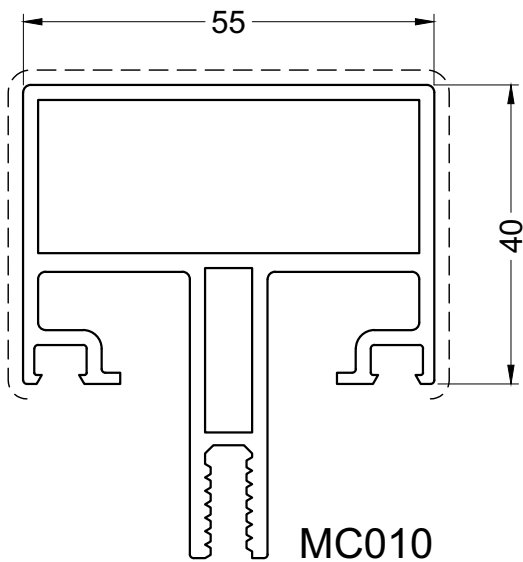
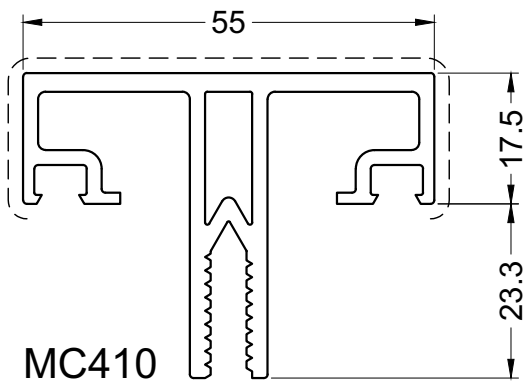
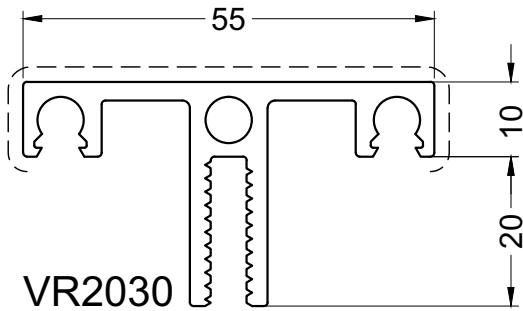
NUMMER NUMERO NUMMER NUMBER	AFBEELDING IMAGE BILD PICTURE	OMSCHRIJVING DESCRIPTION BESCHREIBUNG DESCRIPTION	BLAD PAGE SEITE PAGE	OMTREK PERIM. PERIM. PERIM. (MM)	MECH. MEC. MECH. MEC. (MM)	IX (CM4) ----- WX (CM3)	IY (CM4) ----- WY (CM3)	LENGTE LONG. LANGE LENGTH (M)
<b>DK153</b>		DEKPROFIEL PROFIL COUVERTURE ABDECKPROFIL COVERPROFILE  H = 21 + 25mm	42	239.5	146.7	/	/	7.0
<b>DK154</b>		KLEMLAT SUPPORT TRAGER SUB-PROFILE  PVC COEXTRUSION	41	/	/	/	/	7.0
<b>FTW054</b>		AFWERKINGSPROFIEL EPDM HOUDER PROFIL FINITION PORTE EPDM ABSCHLUSSPROFIL EPDM HALTER FINISHING PROFILE EPDM KEEPER	49	96.63	43	/	/	7.0
<b>UTL031</b>		PLATSTAAF PLAT RECHTECKSTANGE RECTANGULAR BAR  25 x 2mm	49	54	54	/	/	6.0
<b>UTL081</b>		PLATSTAAF PLAT RECHTECKSTANGE RECTANGULAR BAR  60 x 10mm	48	140	140	18 ----- 6	0.5 ----- 1	6.0
<b>SN010</b>		ZONWERINGSPROFIEL BRISE-SOLEIL SONNENSCHUTZ PROFIL SUNBLADE PROFILE	55	236.3	236.3	/	/	7.0
<b>SN020</b>		ZONWERINGSPROFIEL BRISE-SOLEIL SONNENSCHUTZ PROFIL SUNBLADE PROFILE	55	416.5	277	/	/	2.0
<b>SR014</b>		AFWERKINGSPROFIEL PROFIELE DE FINITION AUSFUEHRUNGSPROFIL FINISHING PROFILE	49	110.4	28.5	/	/	7.0 3.5

NUMMER NUMERO NUMMER NUMBER	AFBEELDING IMAGE BILD PICTURE	OMSCHRIJVING DESCRIPTION BESCHREIBUNG DESCRIPTION	BLAD PAGE SEITE PAGE	OMTREK PERIM. PERIM. PERIM. (MM)	MECH. MEC. MECH. MEC. (MM)	IX (CM4)		IY (CM4)		LENGTE LONG. LANGE LENGTH (M)
						WX (CM3)	WY (CM3)	WX (CM3)	WY (CM3)	
VR2030		STIJL MONTANT PFOSTEN MULLION  H = 10mm	23	286.9	90.1	2.55	7.09	7.0		
						1.18	2.57	3.5		
VR2031		HORIZONTALE REGEL TRAVERSE HORIZONTAL HORIZONTAL RIEGEL HORIZONTAL TRANSOM  H = 10mm	37	259.9	75.14	0.94	7.02	7.0		
						0.61	2.55			
VT021		GOOT GOUTTIERE RINNE GUTTER 37 H = 95.4mm	59	774.5	252.7	123.7	300.17	7.0		
						17.07	35.9			

PROFIELEN - PROFILS-PROFILE - PROFILES



STIJLEN  
MONTANTS  
PFOSTEN  
MULLIONS



PROFIELEN - PROFILS-PROFILE - PROFILES

MC010-011-410-VR2030

**aliplast**  
member of

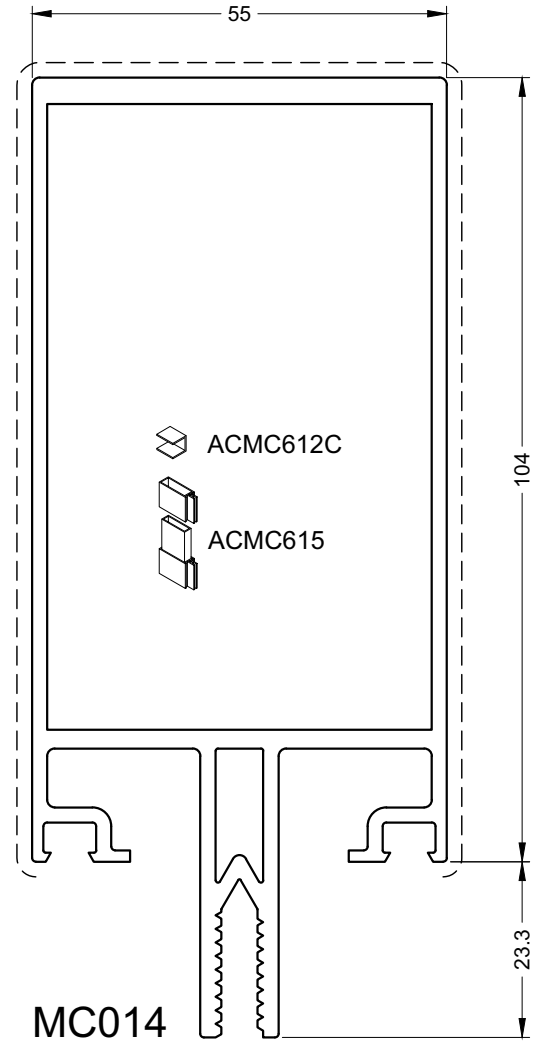
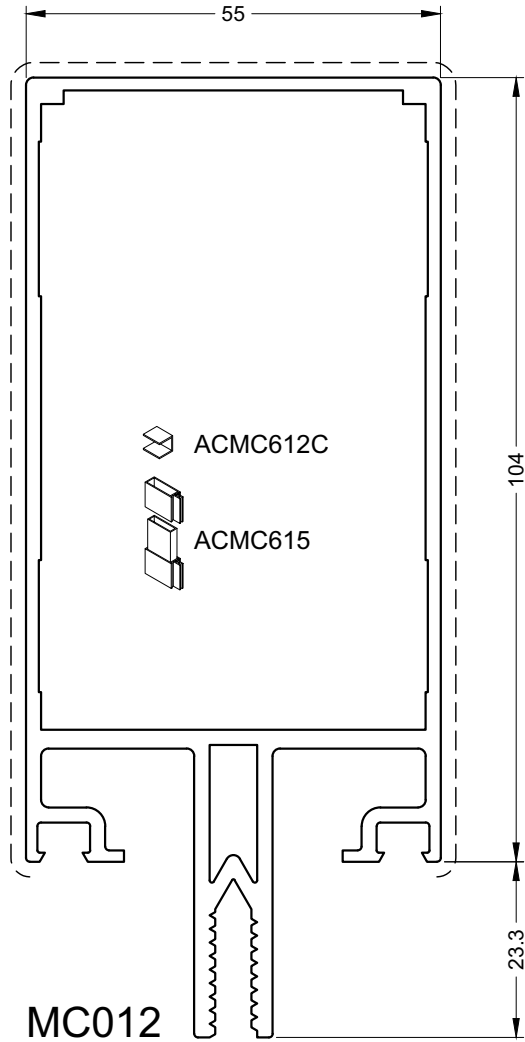


-----  
Primaire zichtzijde  
Côté visible primaire

-----  
Primäre sichtbare Seite  
Primary visible side

# MC-WALL

STIJLEN  
MONTANTS  
PFOSTEN  
MULLIONS



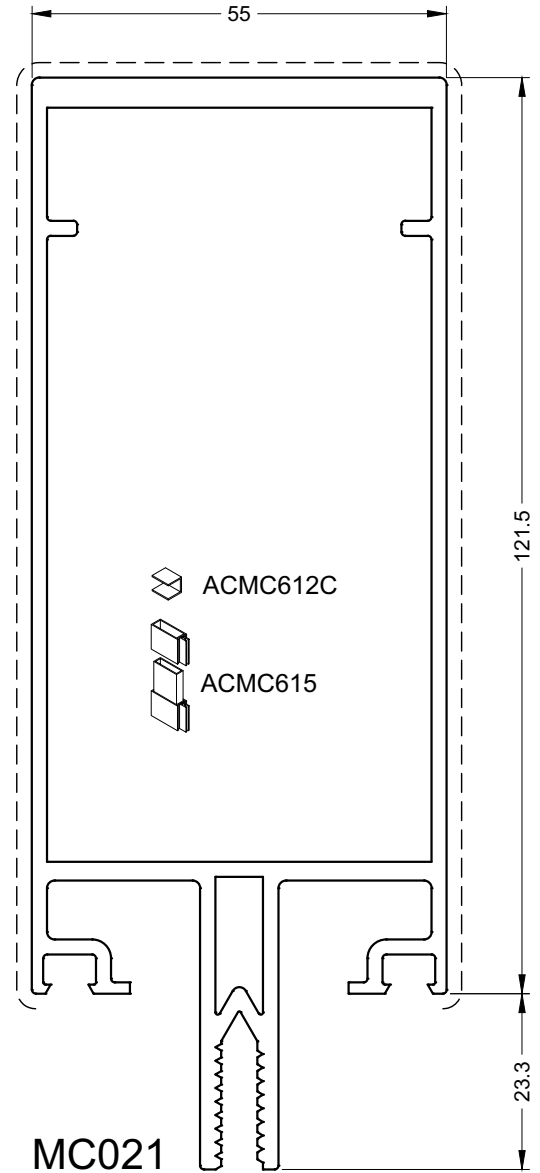
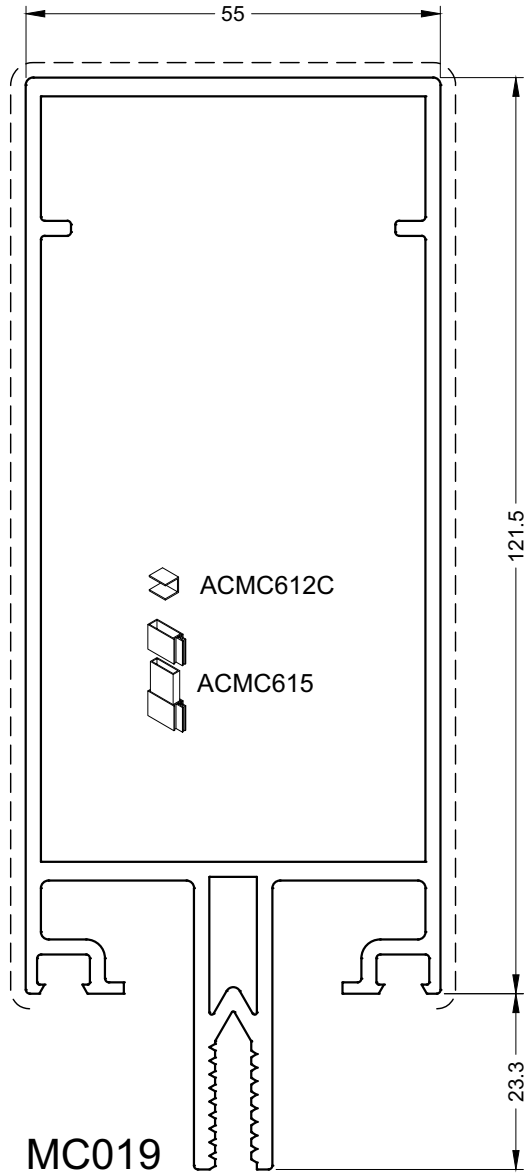
MC012-MC014

-----  
Primaire zichtzijde  
Côté visible primaire

-----  
Primäre sichtbare Seite  
Primary visible side



STIJLEN  
MONTANTS  
PFOSTEN  
MULLIONS



PROFIELEN - PROFILS-PROFILE - PROFILES

MC019-MC021

**aliplast**  
member of



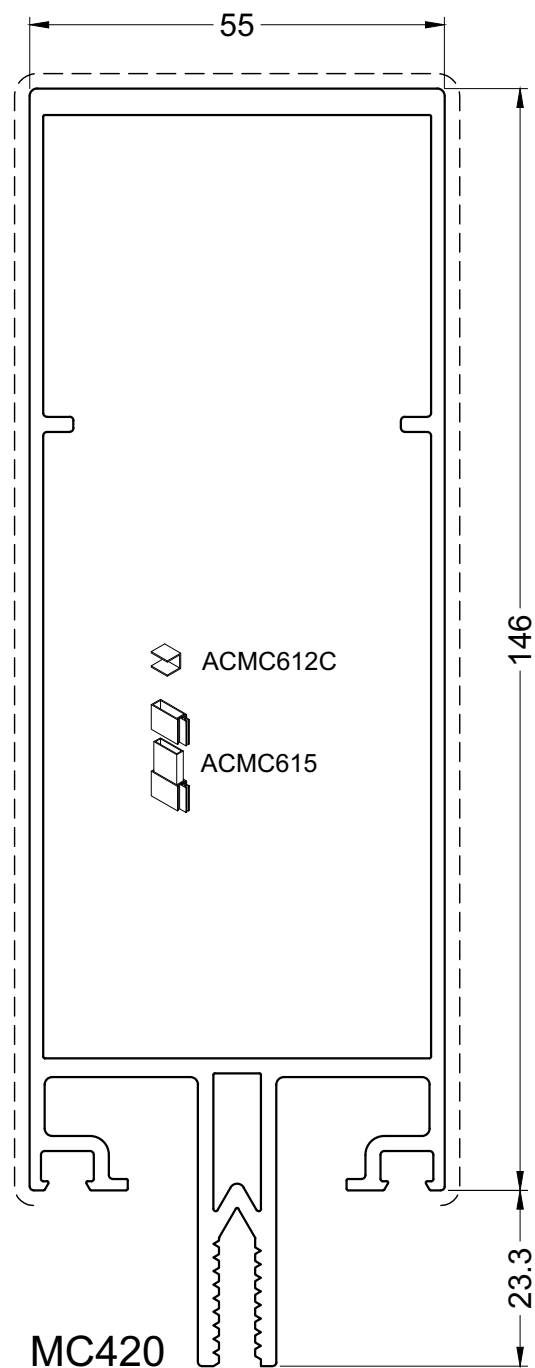
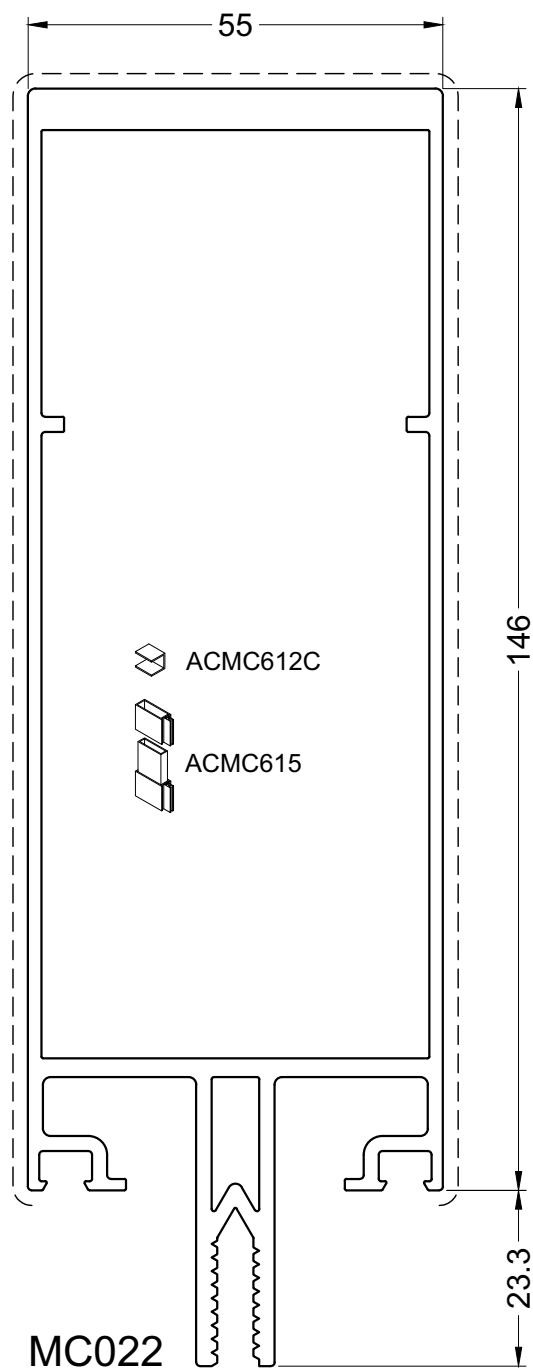
Primaire zichtzijde  
Côté visible primaire

Primäre sichtbare Seite  
Primary visible side

18/1/18

# MC-WALL

STIJLEN  
MONTANTS  
PFOSTEN  
MULLIONS



MC022-MC420

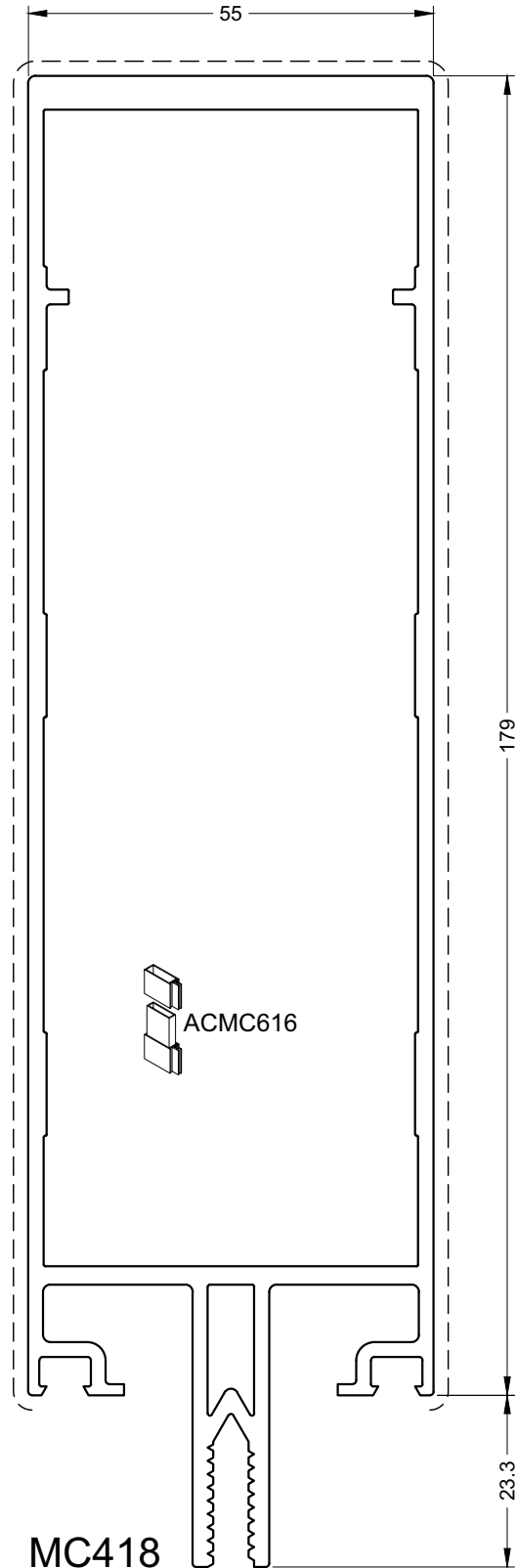
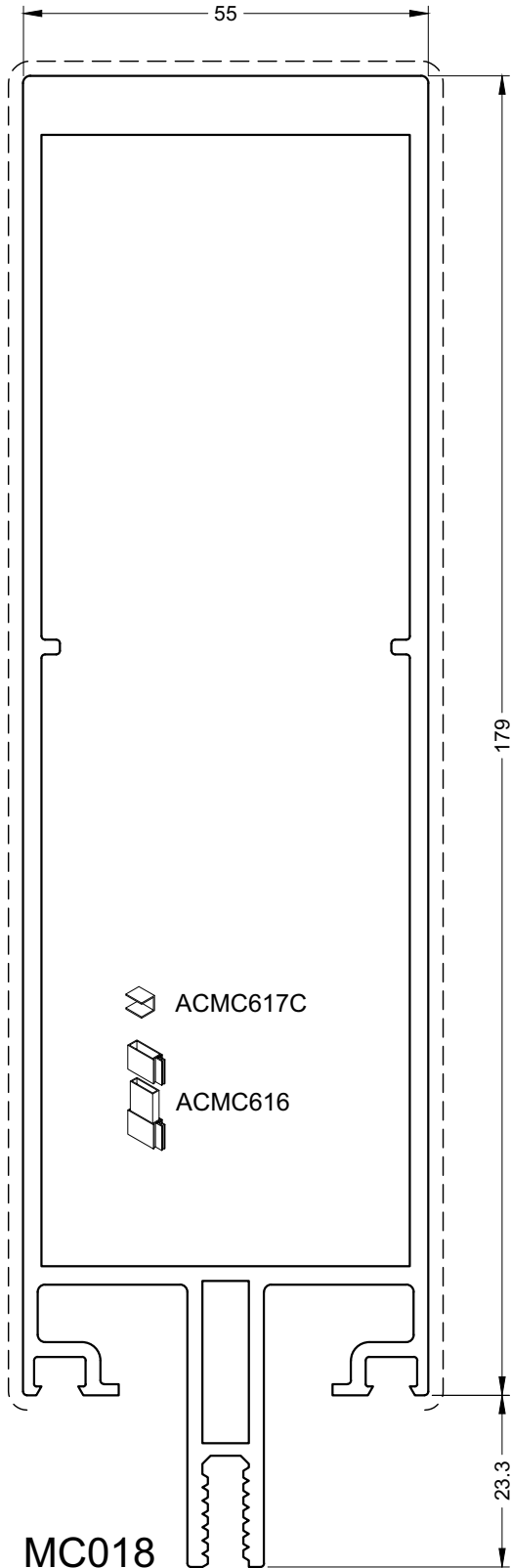
26

-----  
Primaire zichtzijde  
Côté visible primaire

-----  
Primäre sichtbare Seite  
Primary visible side

18/1/18

STIJLEN  
MONTANTS  
PFOSTEN  
MULLIONS



MC018  
MC018-MC418

MC418

**aliplast**  
member of

**CORIALIS**

-----  
Primaire zichtzijde  
Côté visible primaire

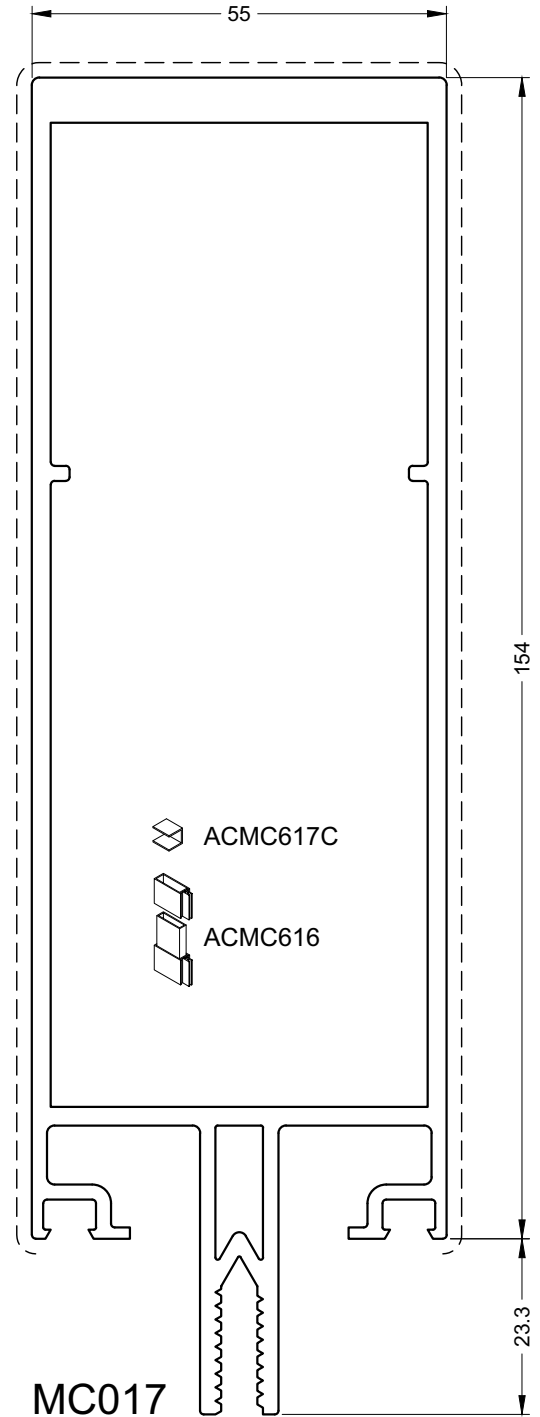
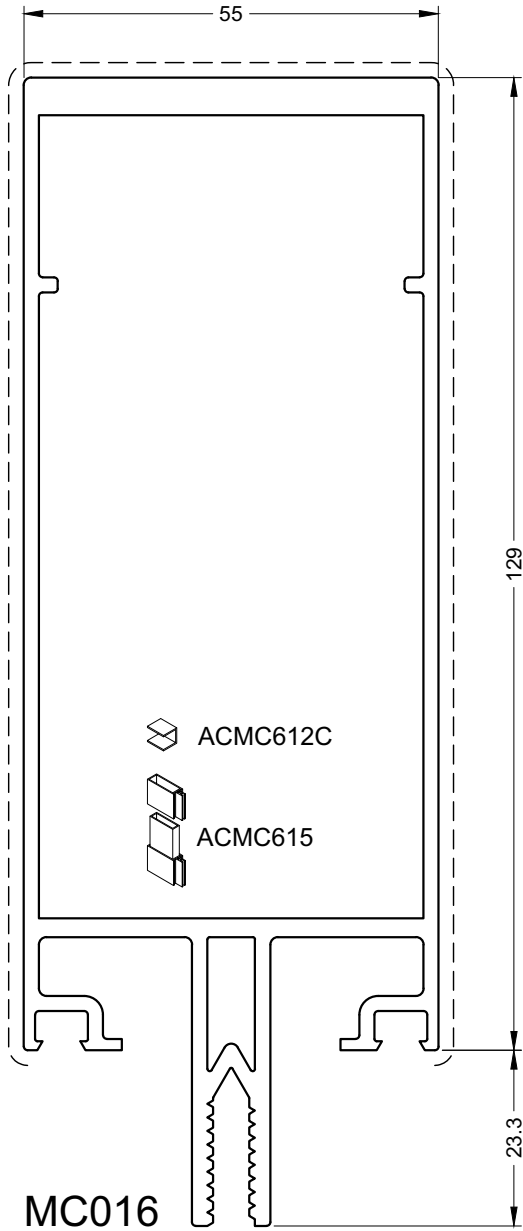
-----  
Primäre sichtbare Seite  
Primary visible side

18/1/18

PROFIELEN - PROFILS-PROFILE - PROFILES

# MC-WALL

STIJLEN  
MONTANTS  
PFOSTEN  
MULLIONS



MC016-MC017

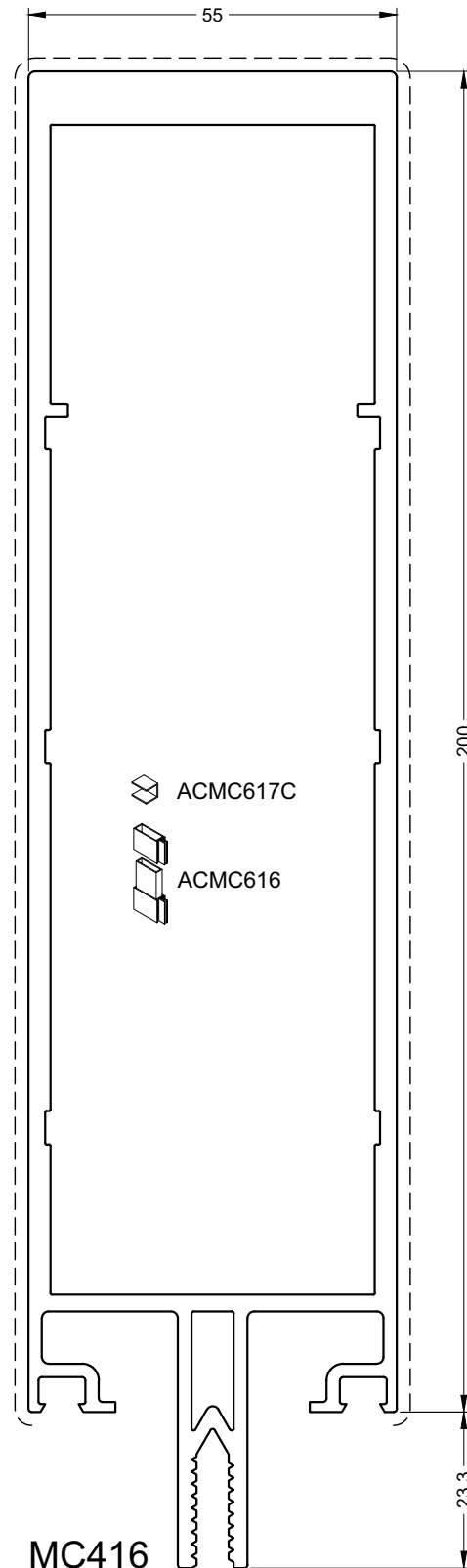
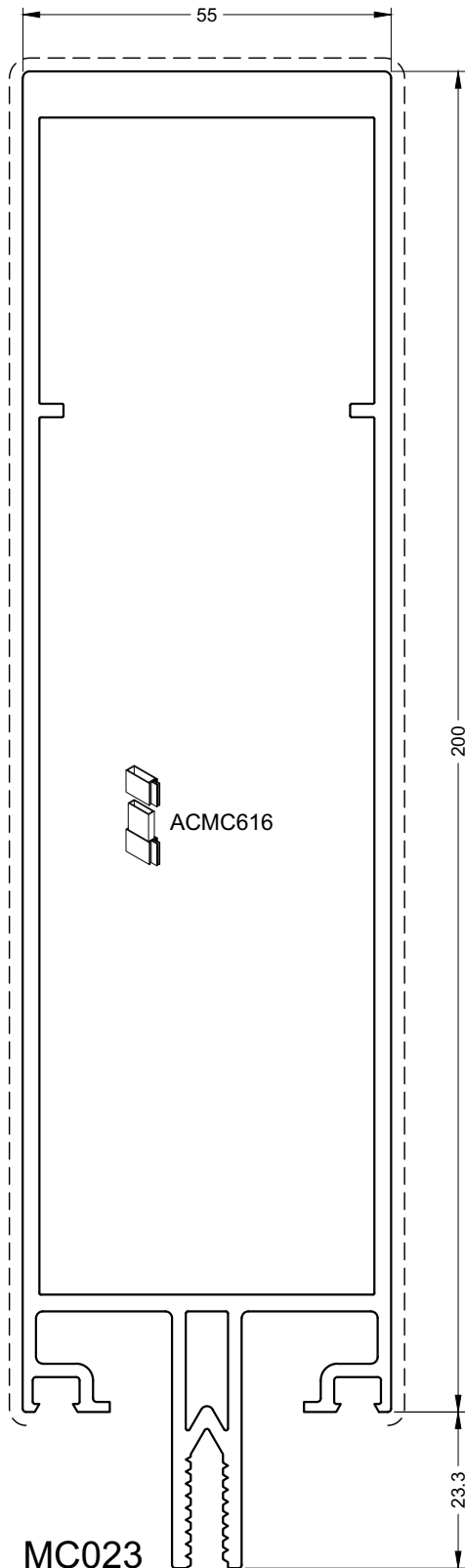
28

-----  
Primaire zichtzijde  
Côté visible primaire

-----  
Primäre sichtbare Seite  
Primary visible side

18/1/18

STIJLEN  
MONTANTS  
PFOSTEN  
MULLIONS



PROFIELEN - PROFILS-PROFILE - PROFILES

MC023-MC416

**aliplast**  
member of

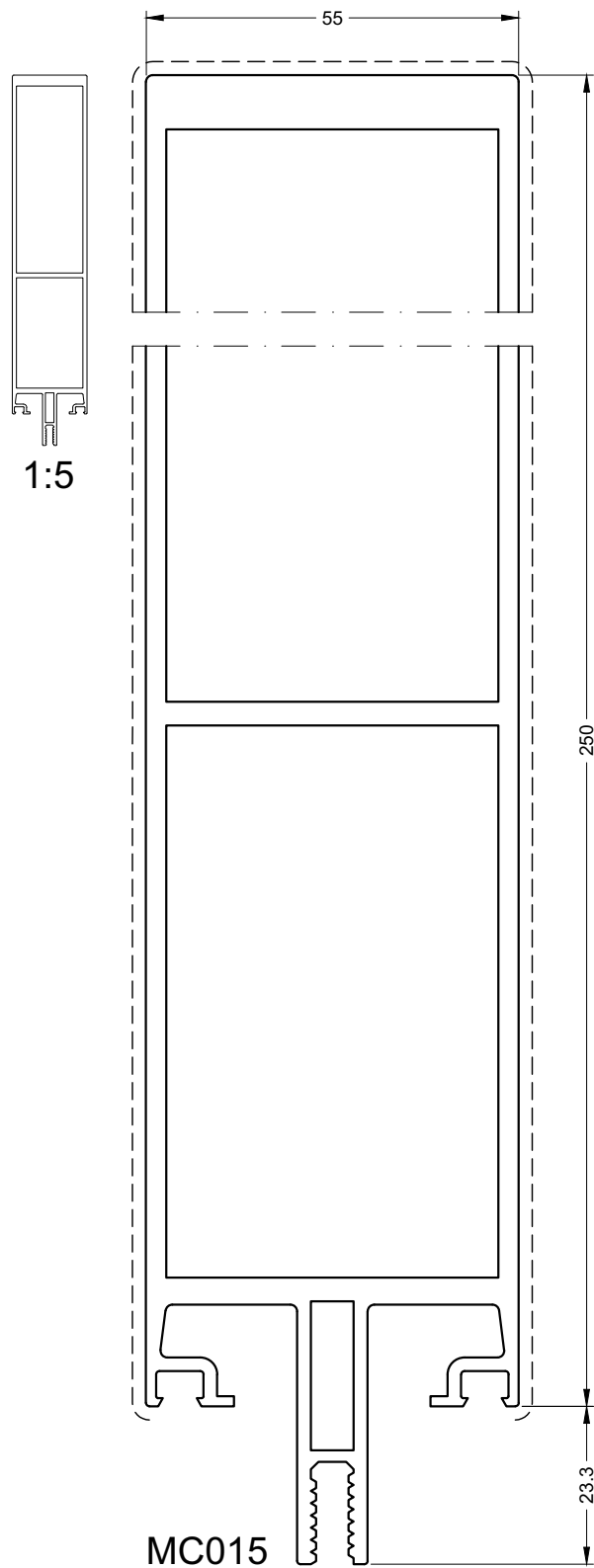


-----  
Primaire zichtzijde  
Côté visible primaire

-----  
Primäre sichtbare Seite  
Primary visible side

# MC-WALL

STIJLEN  
MONTANTS  
PFOSTEN  
MULLIONS



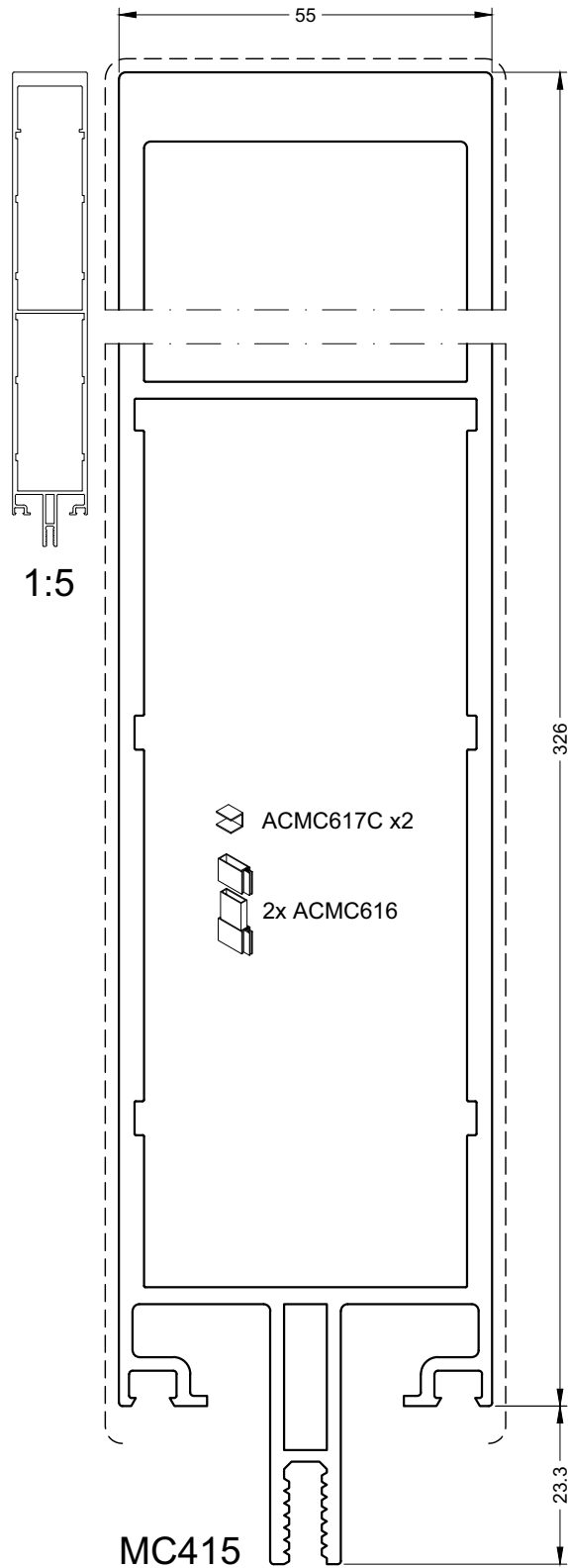
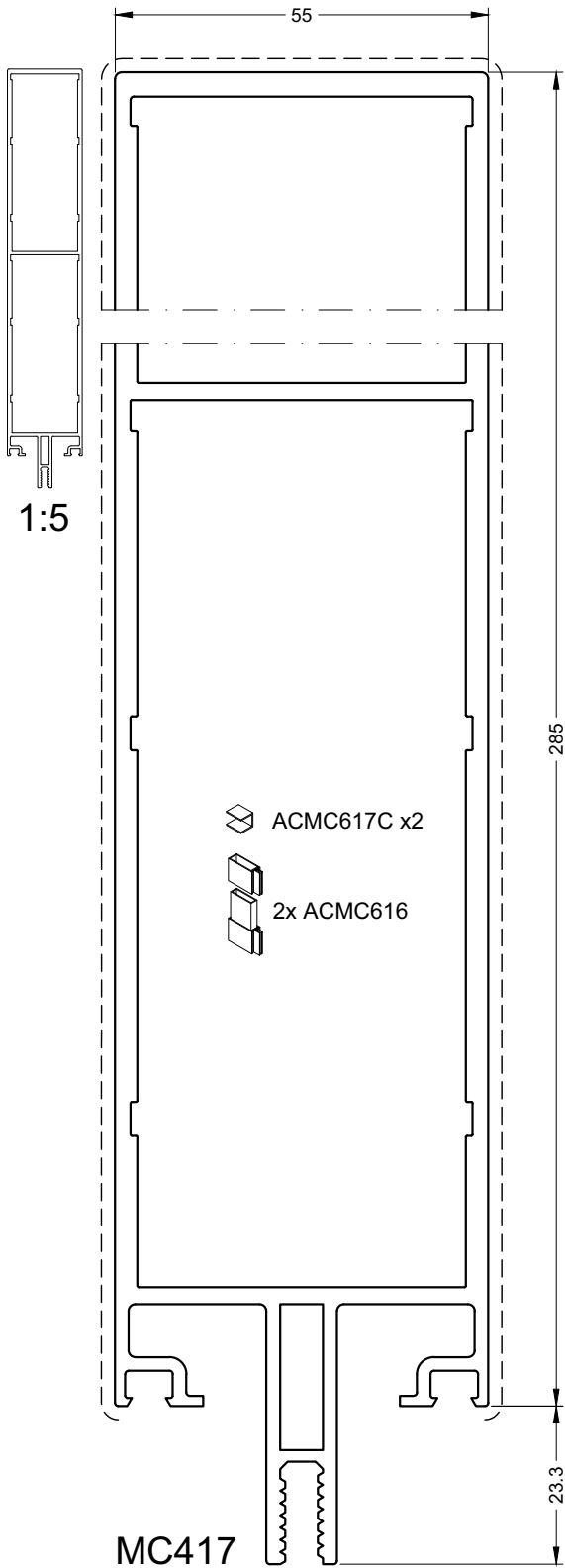
MC015

30

----- Primaire zichtzijde Primäre sichtbare Seite  
Côté visible primaire Primary visible side

18/1/18

STIJLEN  
MONTANTS  
PFOSTEN  
MULLIONS



PROFIELEN - PROFILS - PROFILE - PROFILES

MC415-MC417

**aliplast**  
member of

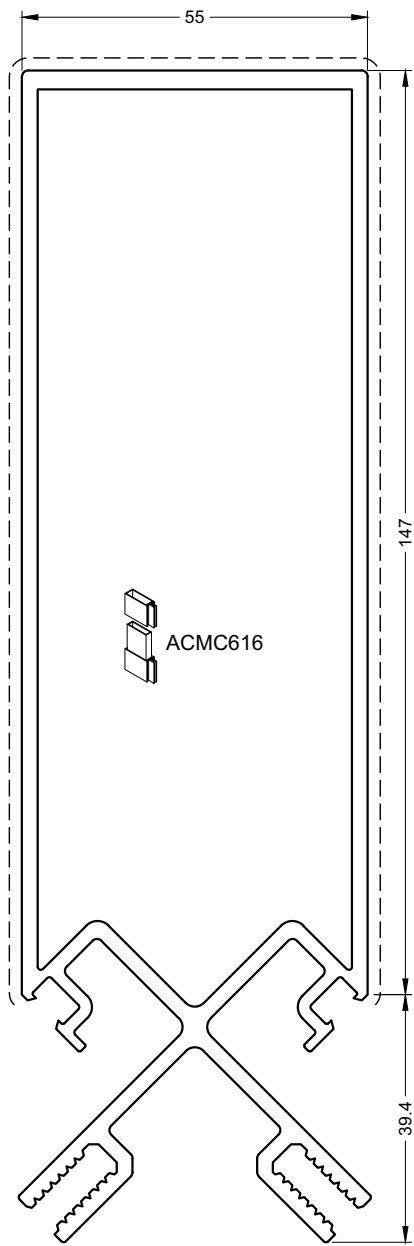


-----  
Primaire zichtzijde  
Côté visible primaire

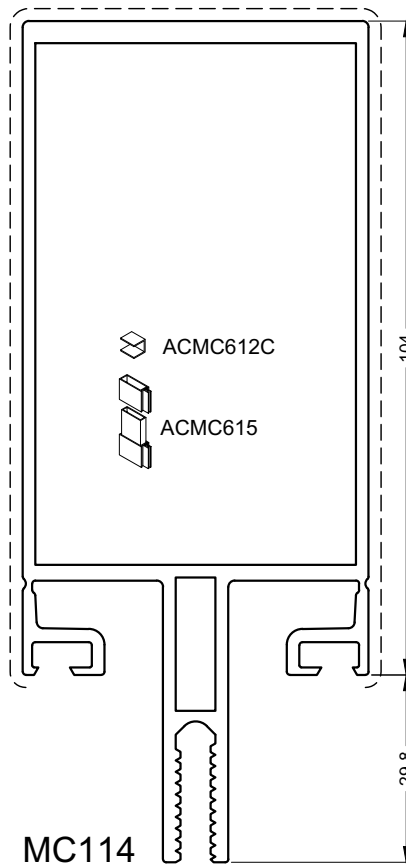
-----  
Primäre sichtbare Seite  
Primary visible side

# MC-WALL

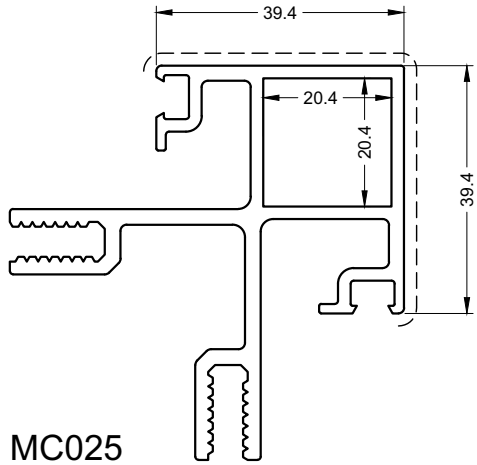
STIJLEN  
MONTANTS  
PFOSTEN  
MULLIONS



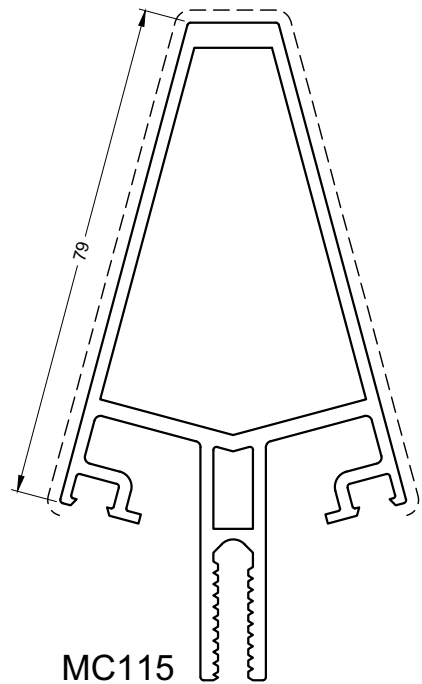
MC024



MC114



MC025



MC115

MC024-MC025-MC114-MC115

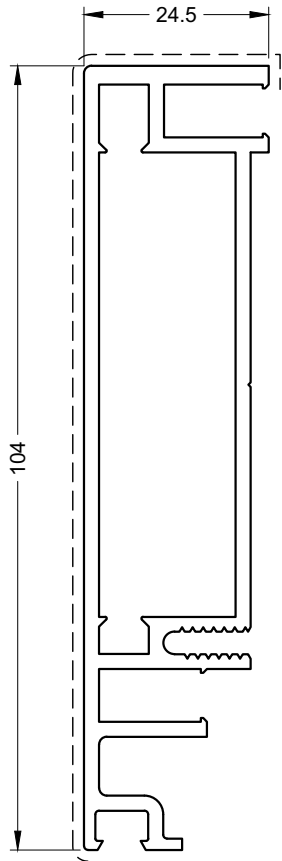


Primaire zichtzijde  
Côté visible primaire

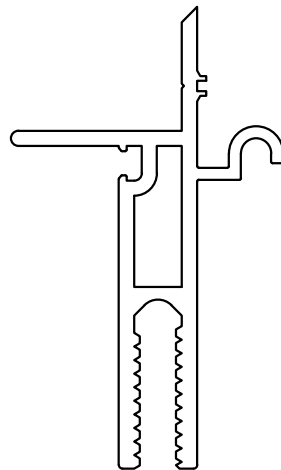
Primäre sichtbare Seite  
Primary visible side



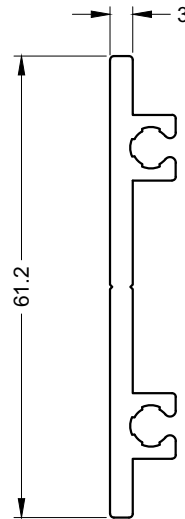
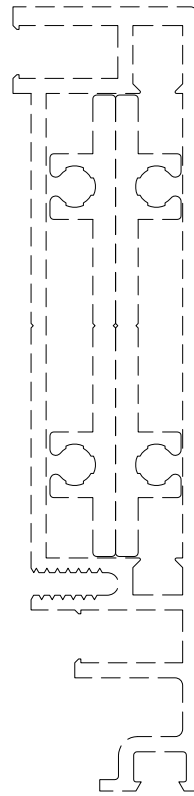
STIJLEN  
MONTANTS  
PFOSTEN  
MULLIONS



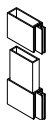
MC212



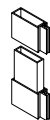
MC200



ALP725



ACMC625



ACMC625

MC212-MC200-ALP725

**aliplast**  
member of

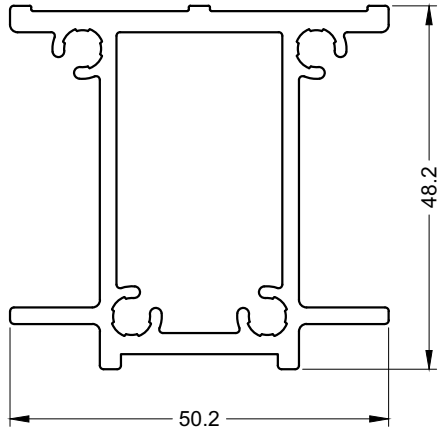


Primaire zichtzijde  
Côté visible primaire

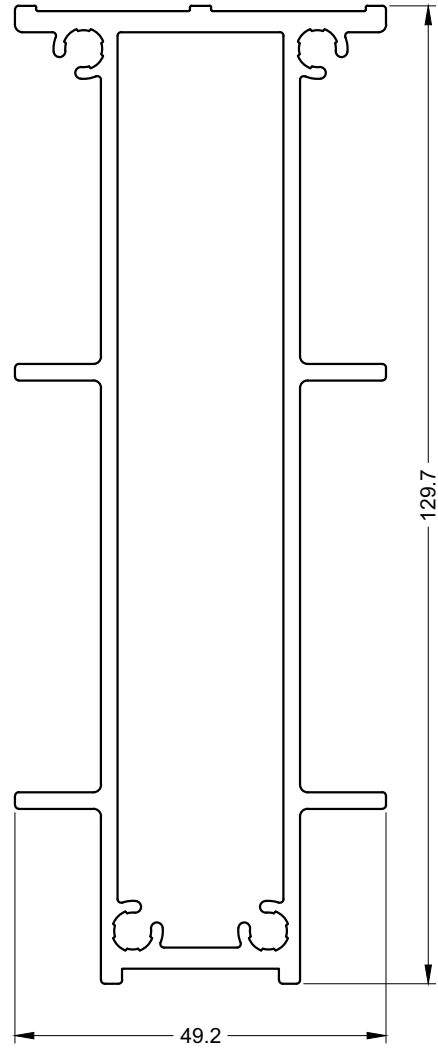
Primäre sichtbare Seite  
Primary visible side

# MC-WALL

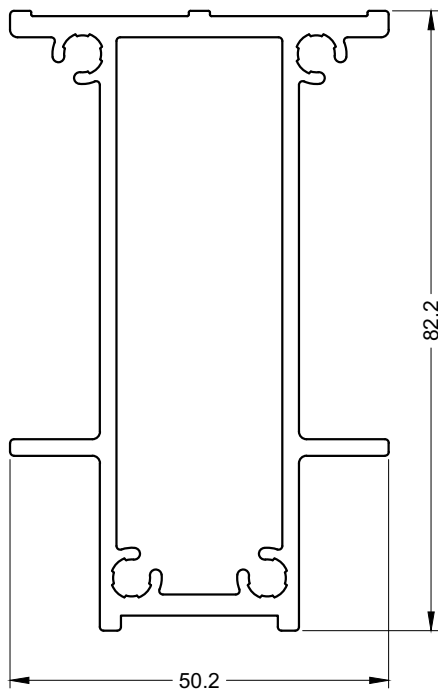
VERSTEVIGINGSPROFIELEN  
 PROFILS DE RENFORCEMENT  
 VERSTÄRKUNGSPROFIELEN  
 REINFORCEMENT PROFILES



ALP714

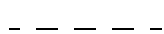


ALP716



ALP715

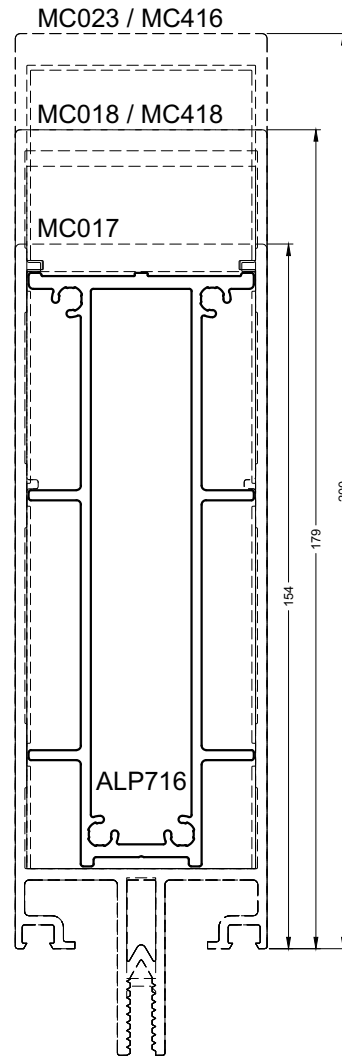
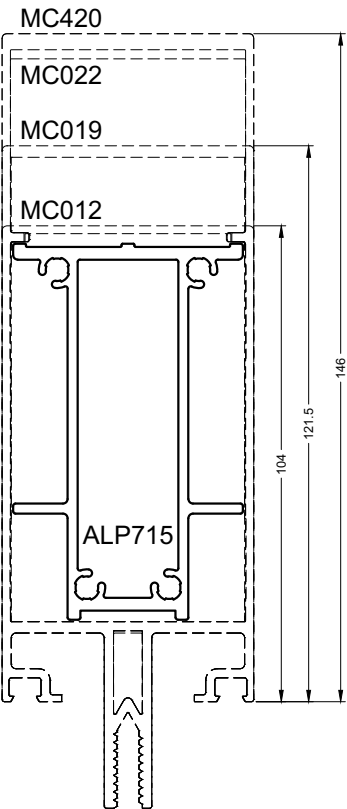
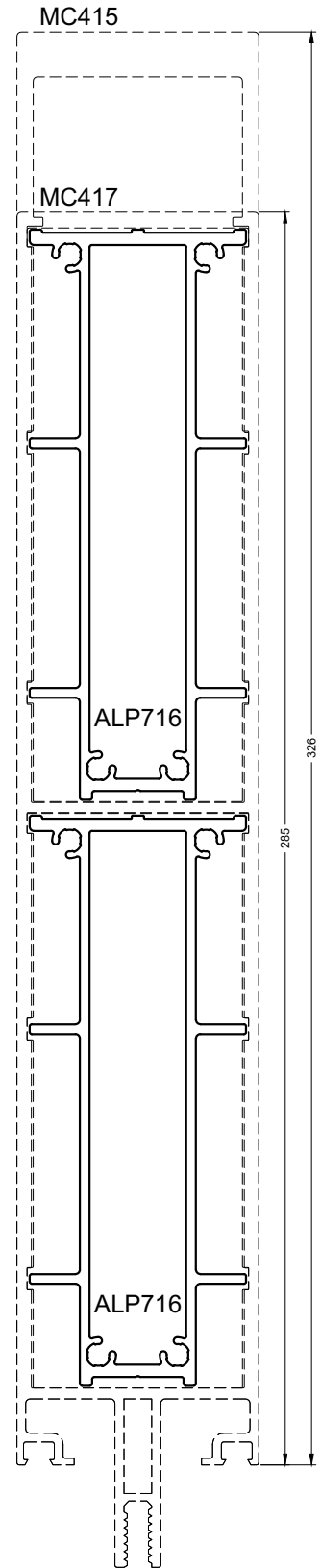
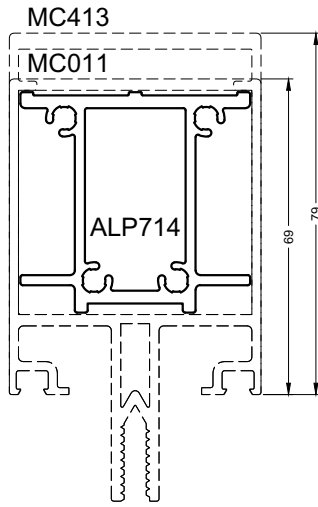
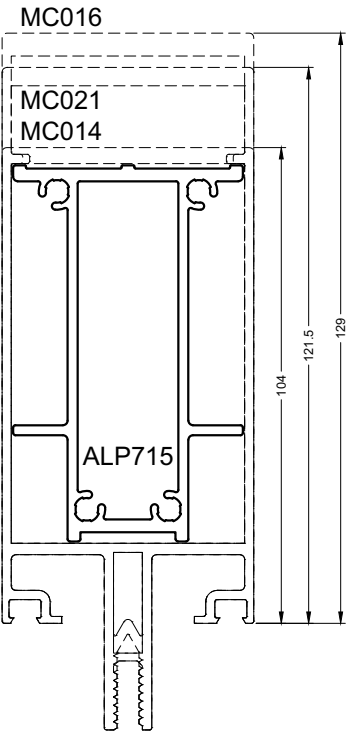
ALP714-ALP15-ALP716



Primaire zichtzijde  
 Côté visible primaire

Primäre sichtbare Seite  
 Primary visible side

VERSTEVIGINGSPROFIELEN + STIJLEN  
 PROFILS DE RENFORCEMENT + MONTANTS  
 VERSTÄRKUNGSPROFILIEN + PFOSTEN  
 REINFORCEMENT PROFILES + MULLIONS



STIJLEN+VERSTEVIGINGEN

**aliplast**  
 member of

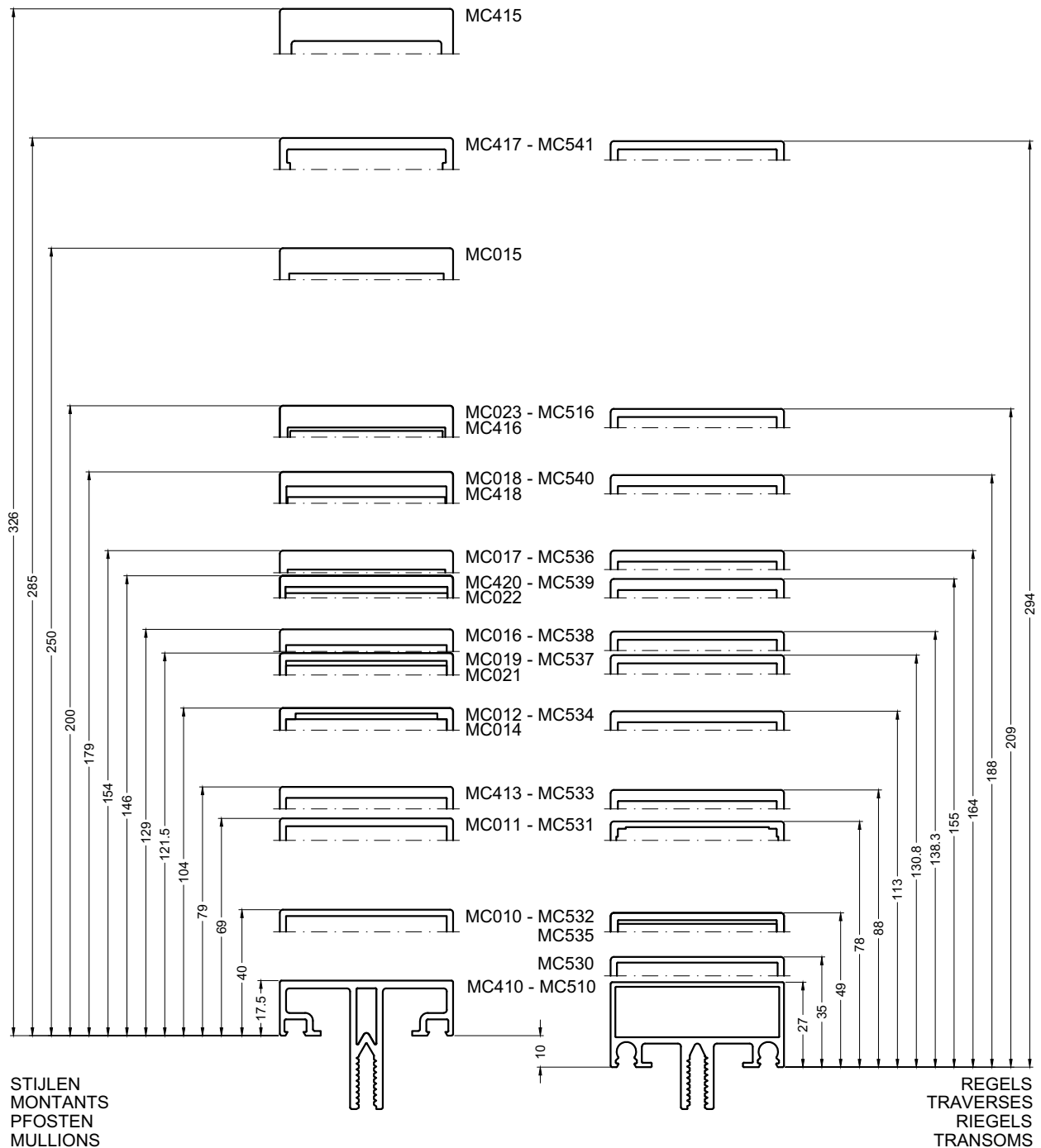


-----  
 Primaire zichtzijde  
 Côté visible primaire

-----  
 Primäre sichtbare Seite  
 Primary visible side

# MC-WALL

STIJLEN EN REGELS  
 MONTANTS ET TRAVERSES  
 PFOSTEN UND RIEGEL  
 MULLIONS AND TRANSOMS



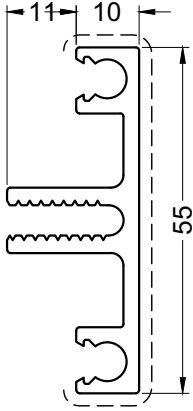
STIJLEN-REGELS



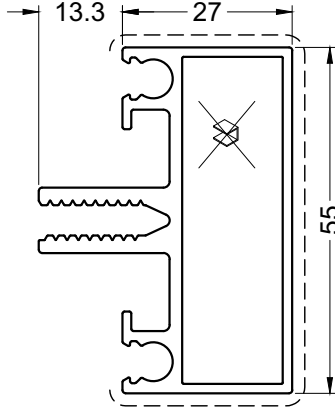
Primaire zichtzijde  
 Côté visible primaire

Primäre sichtbare Seite  
 Primary visible side

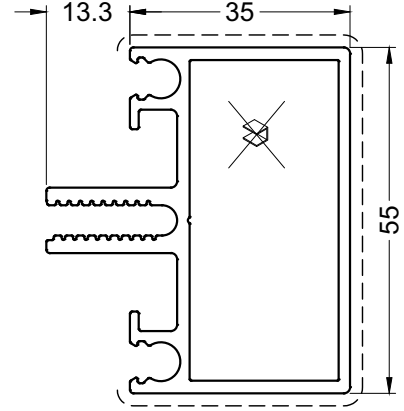
HORIZONTAL REGELS  
 TRAVERSES HORIZONTALE  
 HORIZONTAL RIEGEL  
 HORIZONTAL TRAVERSES



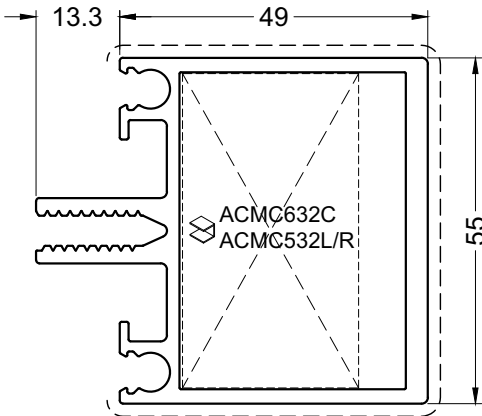
VR2031



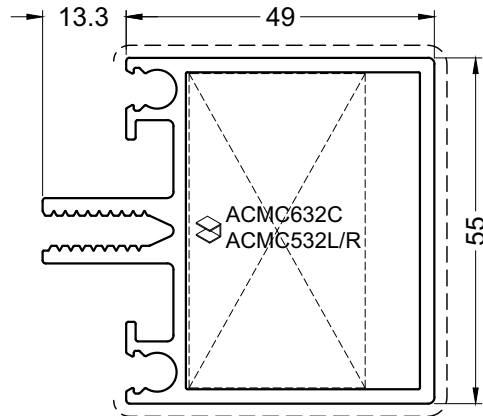
MC510



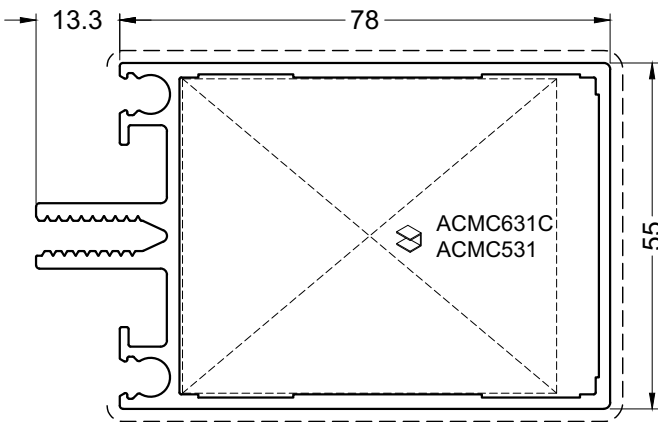
MC530



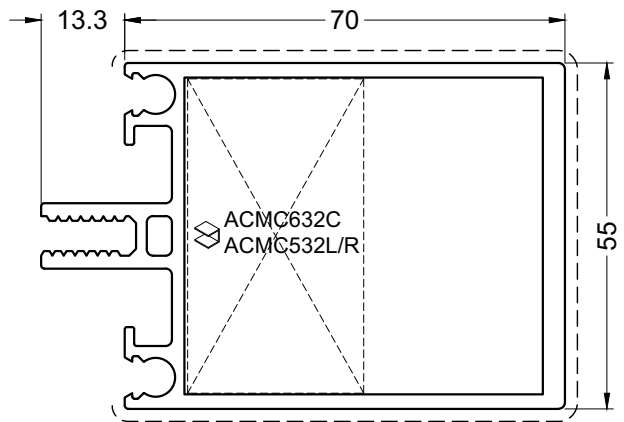
MC532



MC535



MC531



MC835

VR2031-MC510-530-531-532-535-835

**aliplast**  
 member of



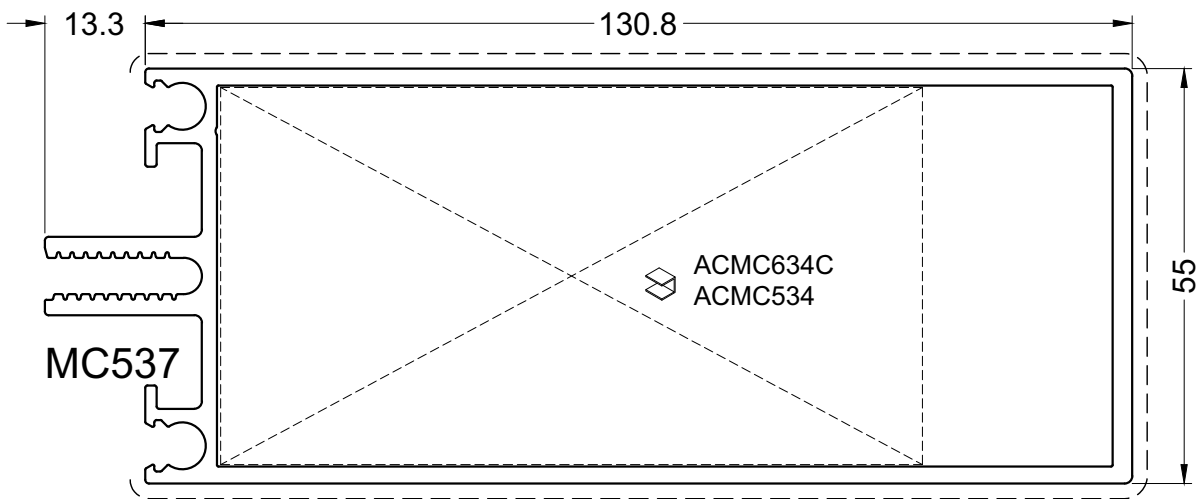
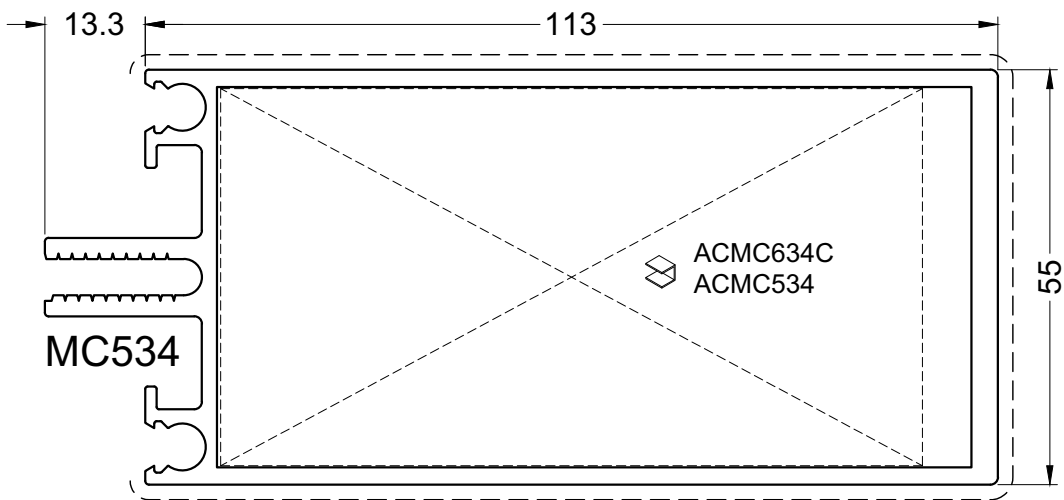
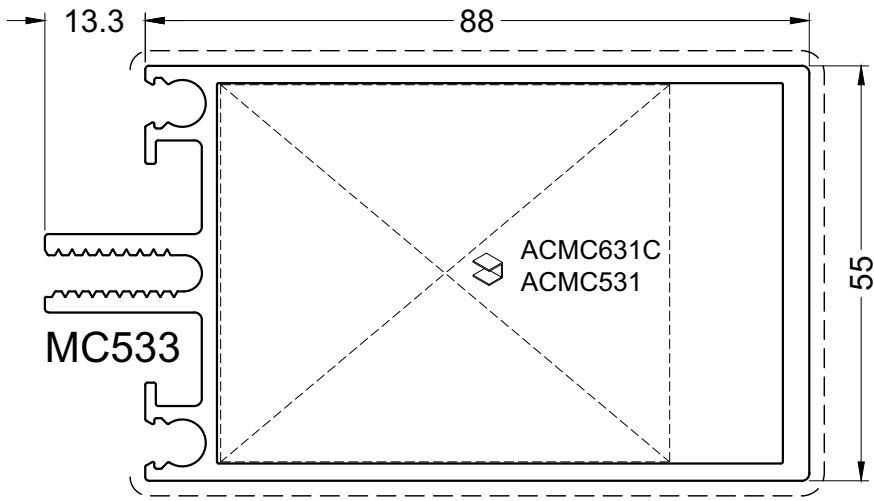
-----  
 Primaire zichtzijde  
 Côté visible primaire

-----  
 Primäre sichtbare Seite  
 Primary visible side



# MC-WALL

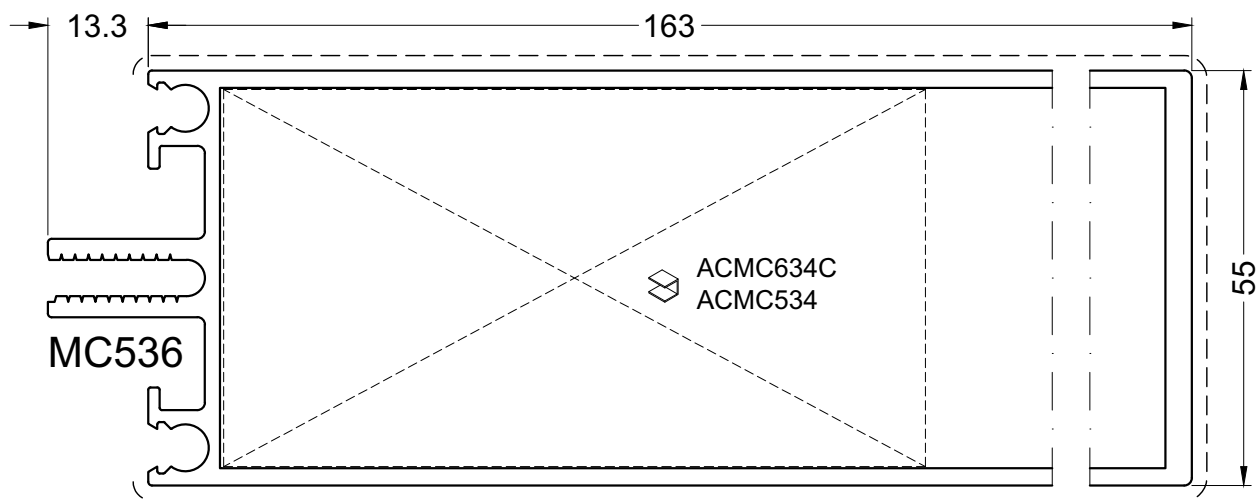
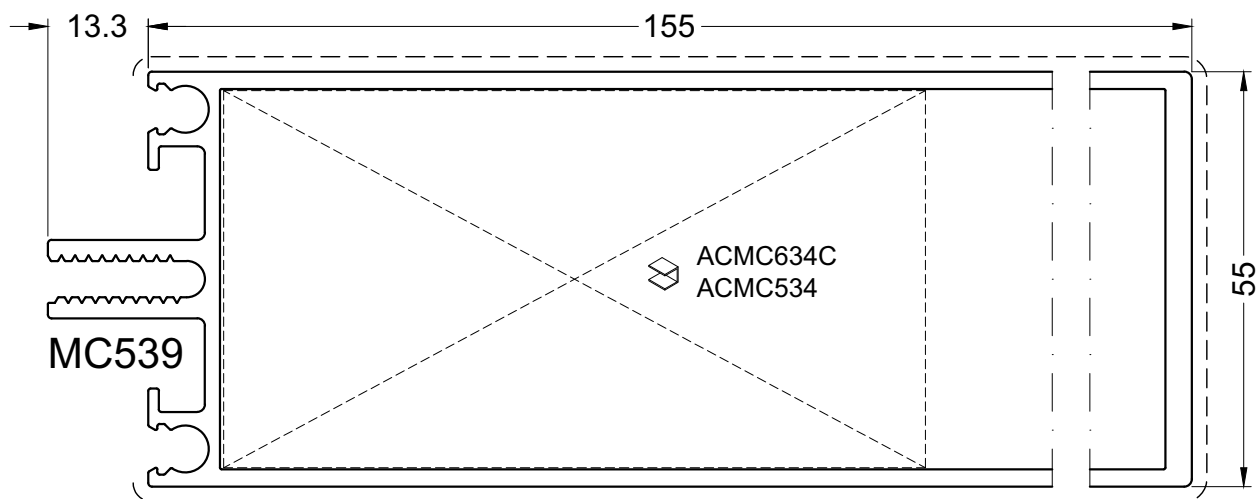
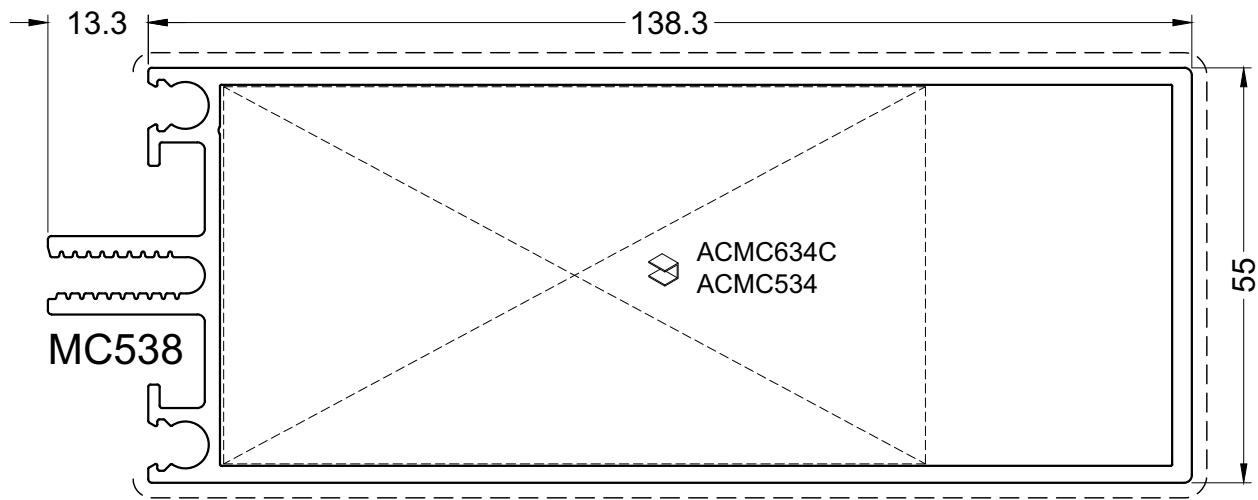
HORIZONTAL REGELS  
 TRAVERSES HORIZONTALE  
 HORIZONTAL RIEGEL  
 HORIZONTAL TRAVERSES



MC533-534-537

----- Primaire zichtzijde Primäre sichtbare Seite  
 Côté visible primaire Primary visible side

HORizontALE REGELS  
 TRAVERSES HORIZONTALE  
 HORIZONTAL RIEGEL  
 HORIZONTAL TRAVERSES



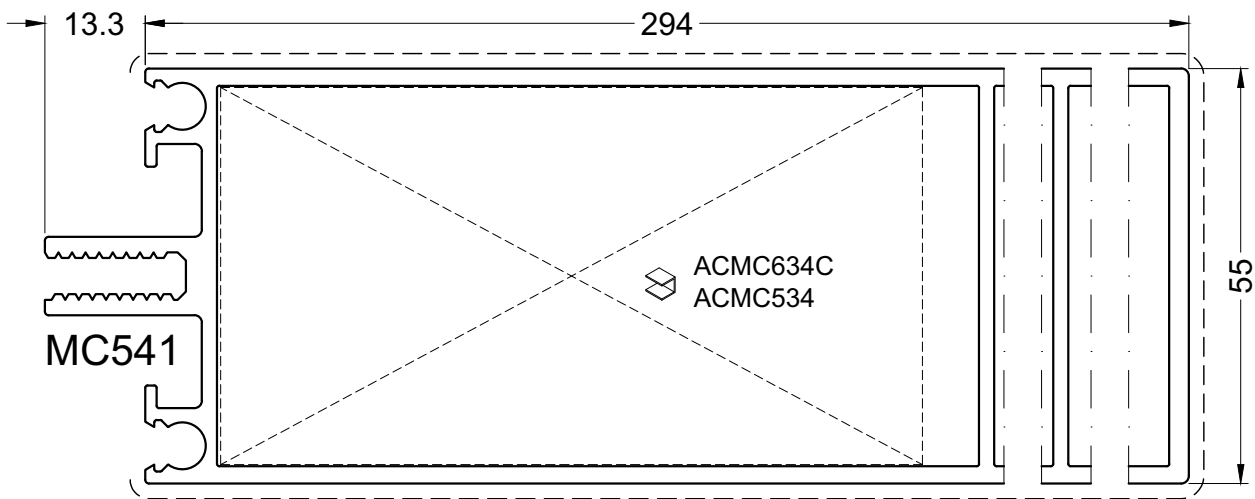
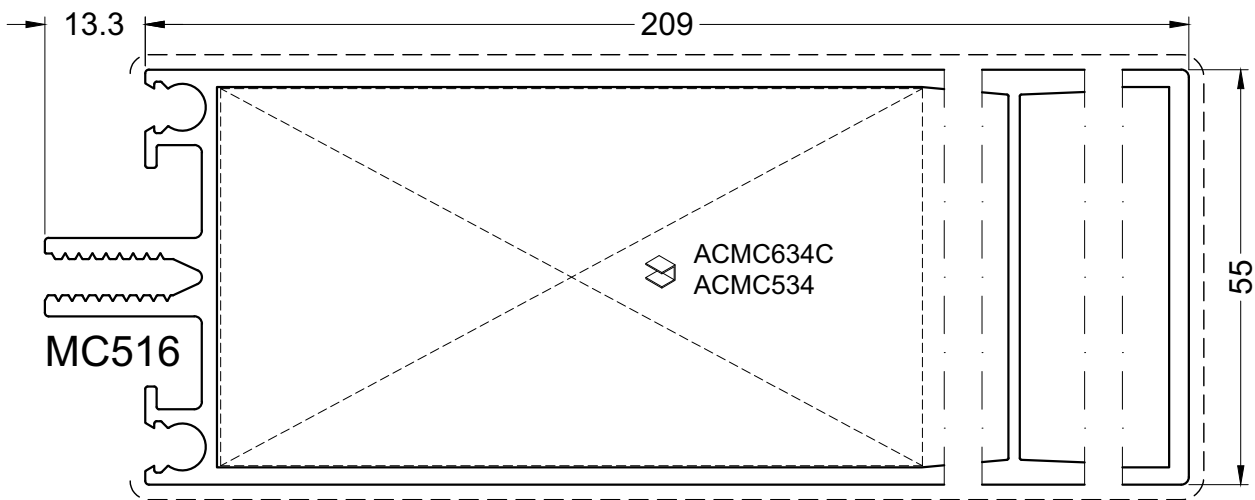
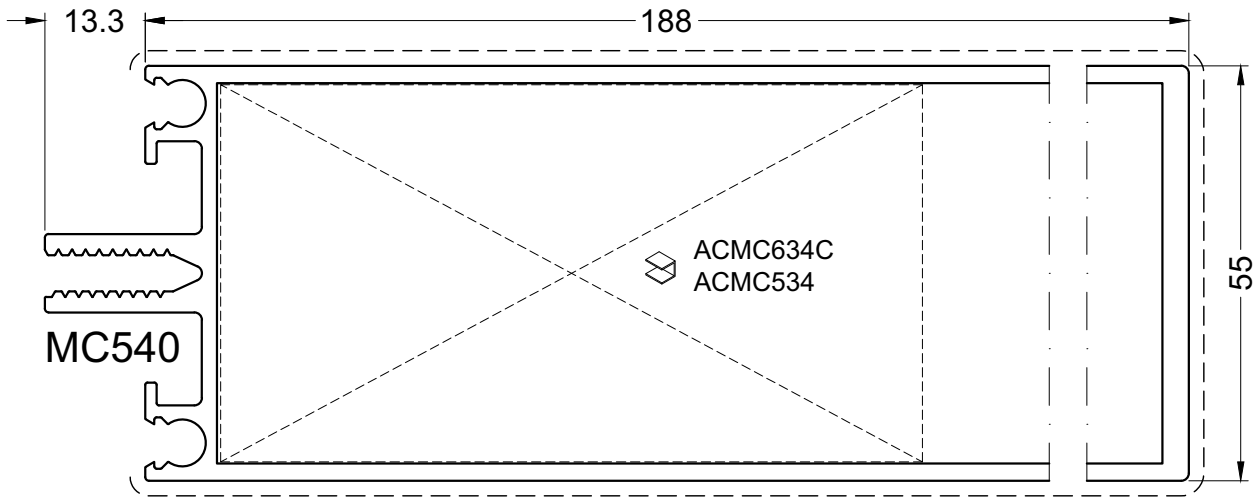
MC536-538-539



----- Primaire zichtzijde Primäre sichtbare Seite  
 Côté visible primaire Primary visible side

# MC-WALL

HORIZONTALTE REGELS  
 TRAVERSES HORIZONTALE  
 HORIZONTALTE RIEGEL  
 HORIZONTAL TRAVERSES

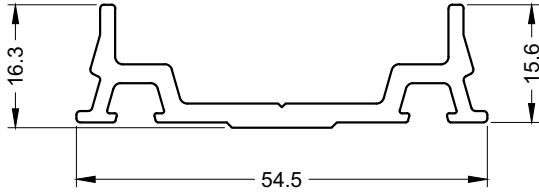


MC540-516-541

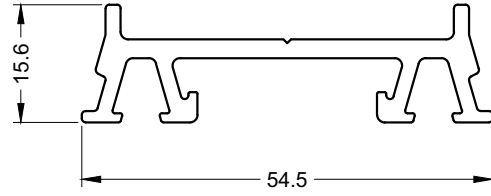
----- Primaire zichtzijde Primäre sichtbare Seite  
 Côté visible primaire Primary visible side



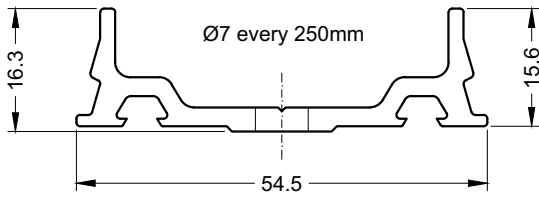
KLEMLATTEN  
SUPPORTS  
TRAGERS  
SUB-PROFILES



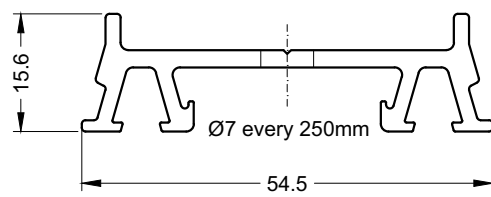
MC150



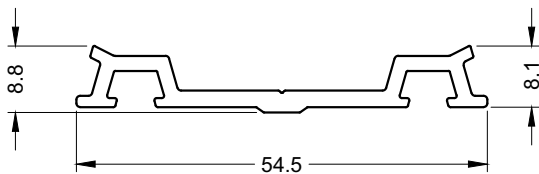
MC160



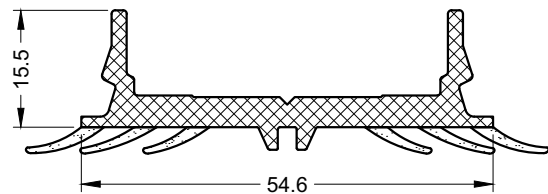
MC150D



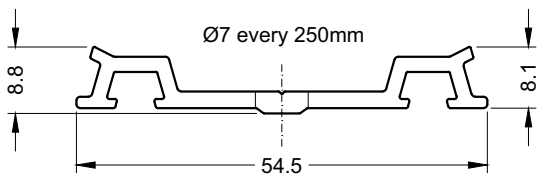
MC160D



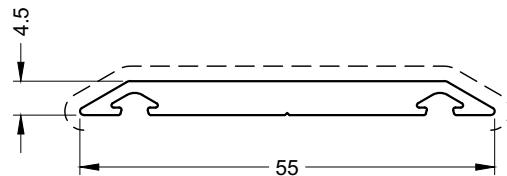
MC151



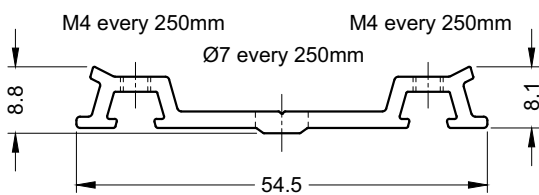
DK154



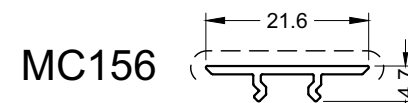
MC151D



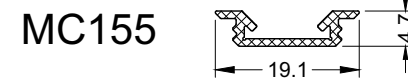
MC055



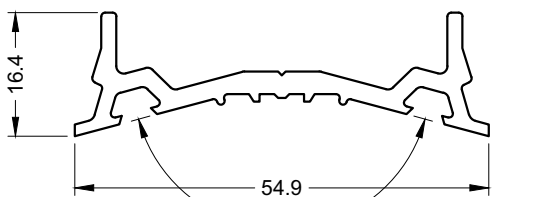
MC151DK



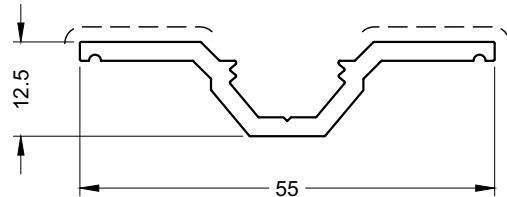
MC156



MC155



MC152



MC056

KLEMLATTEN

**aliplast**  
member of

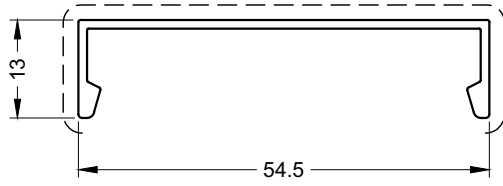


Primaire zichtzijde  
Côté visible primaire

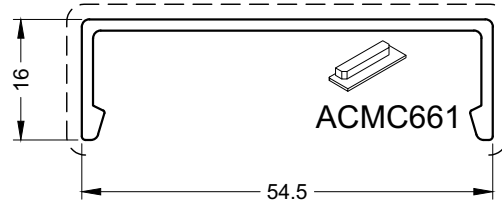
Primäre sichtbare Seite  
Primary visible side

# MC-WALL

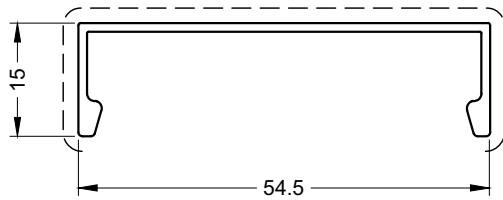
DEKPROFIELEN  
 PROFILS COUVERTURES  
 ABDECKPROFIL  
 COVER PROFILES



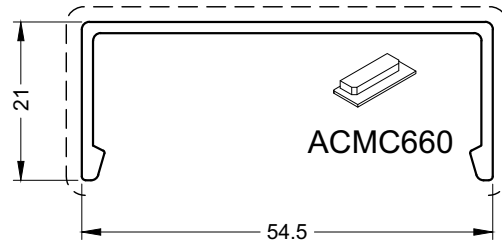
DK052E



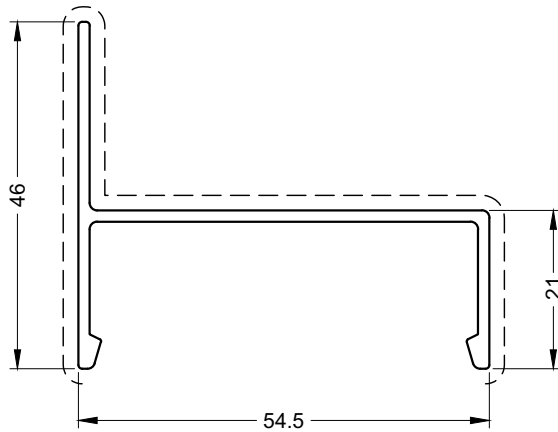
DK052N



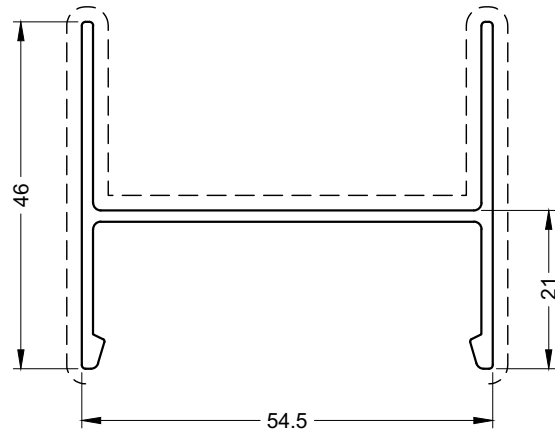
DK053E



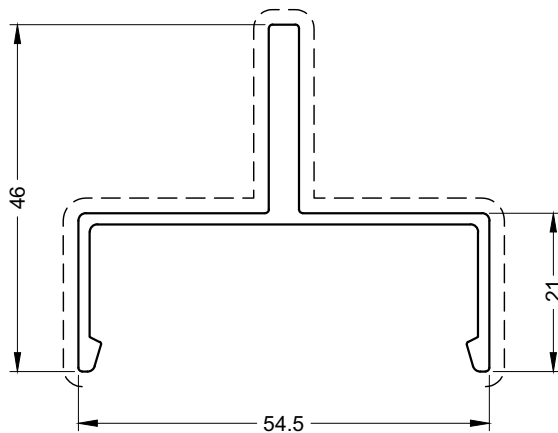
DK053



DK054



DK055



DK153

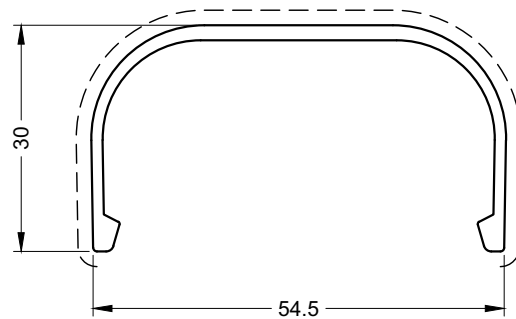
DEKPROFIELEN



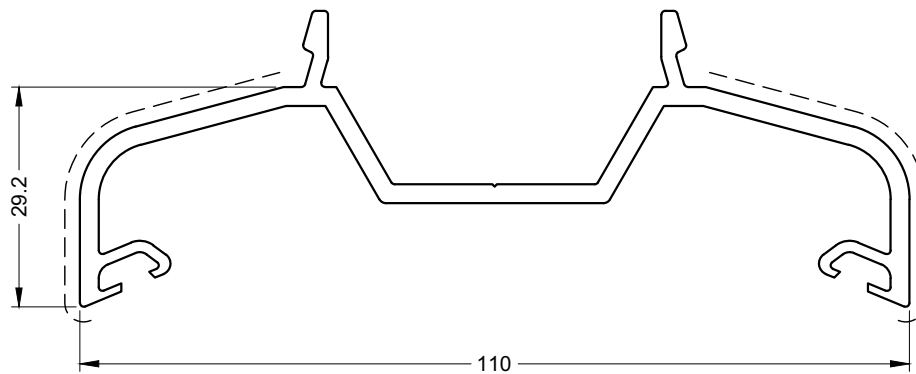
Primaire zichtzijde  
 Côté visible primaire

Primäre sichtbare Seite  
 Primary visible side

KLEMLAT 15° - 30° + DEKPROFIEL  
SUPPORT 15° - 30° + PROFIL COUVERTURE  
TRAGER 15° - 30° + ABDECKPROFIL  
SUB-PROFILE 15° - 30° + COVERPROFILE



MC050



MC157

MC157-MC050

**aliplast**  
member of

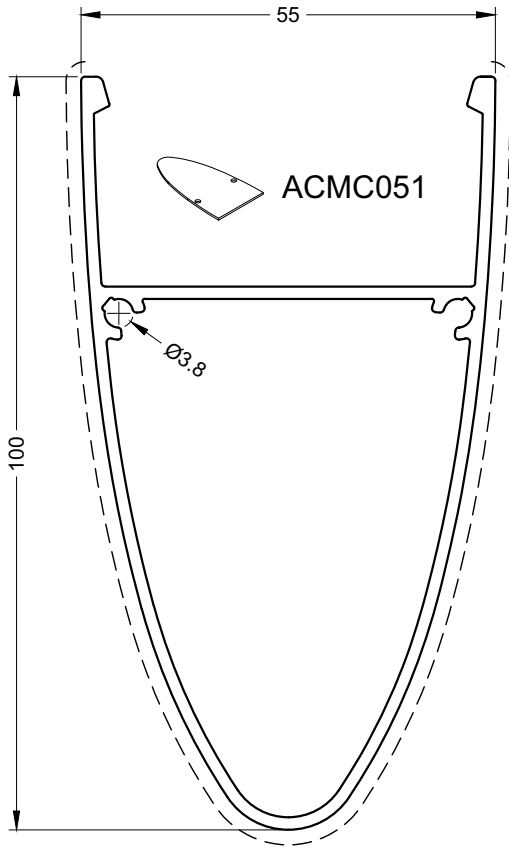


Primaire zichtzijde  
Côté visible primaire

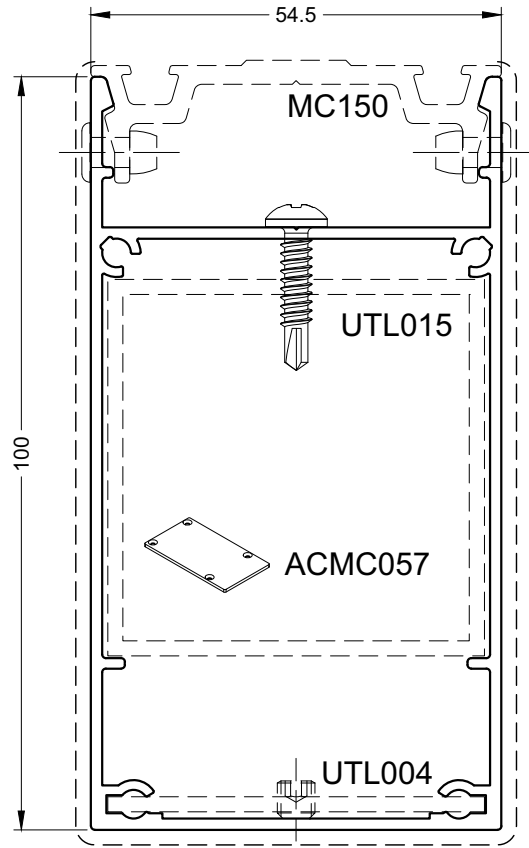
Primäre sichtbare Seite  
Primary visible side

# MC-WALL

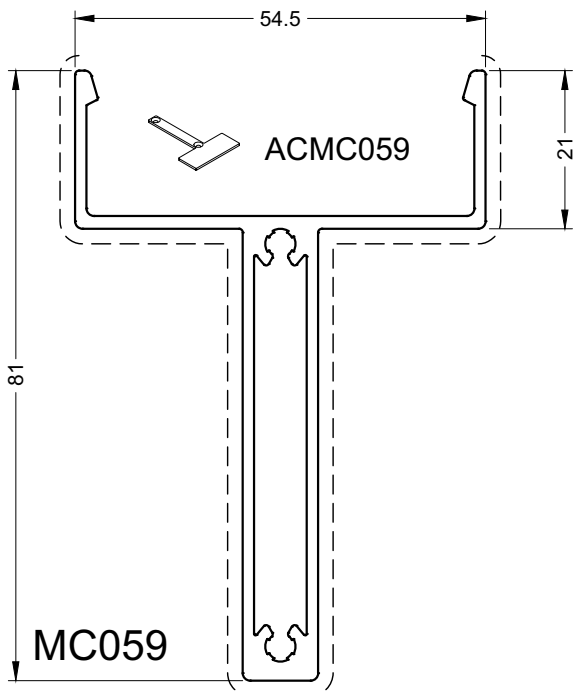
DEKPROFIELEN  
 PROFILS COUVERTURES  
 ABDECKPROFIL  
 COVER PROFILES



MC051

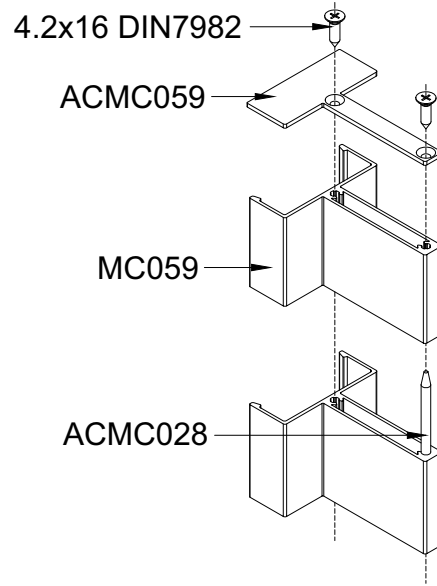


MC057



MC059

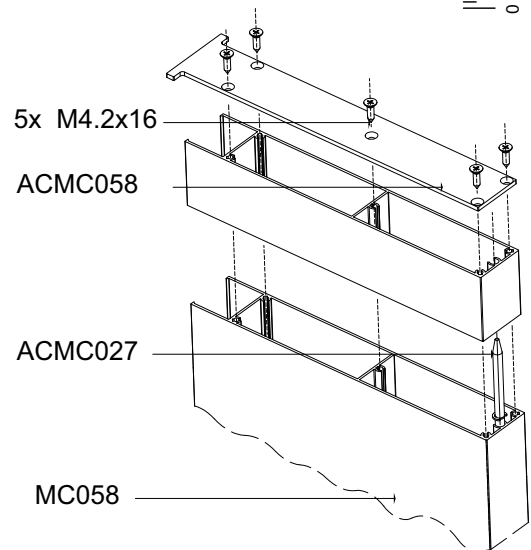
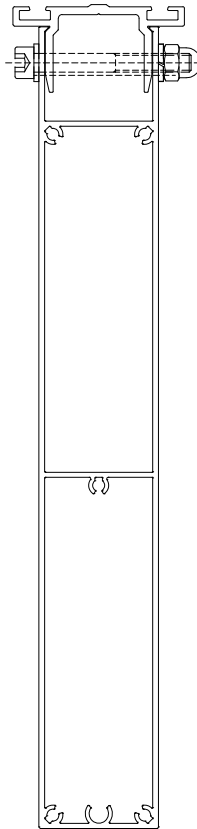
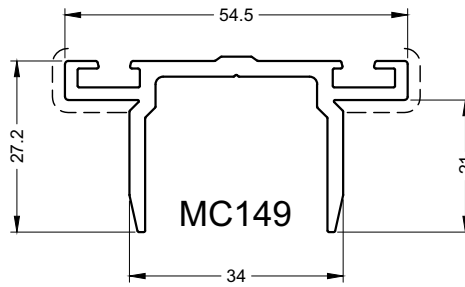
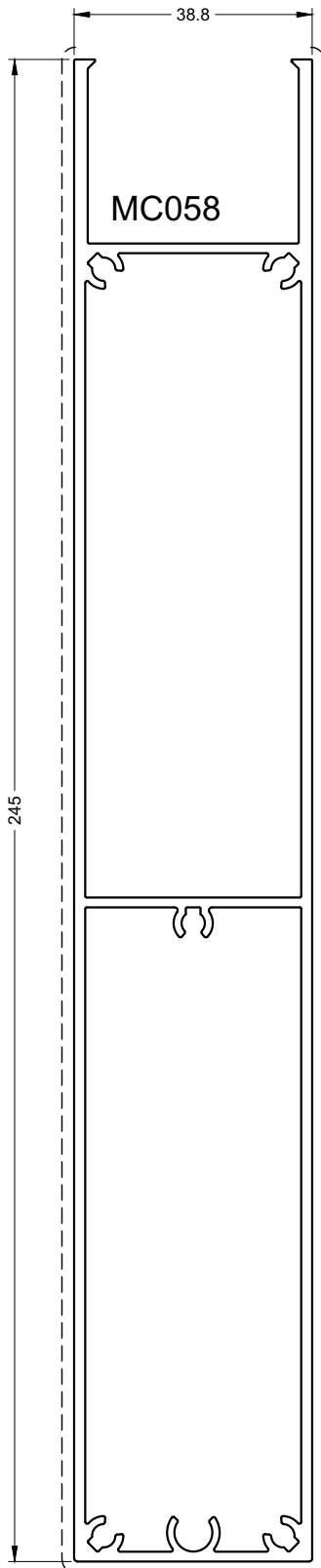
MC051-MC057-MC059



-----  
 Primaire zichtzijde  
 Côté visible primaire

-----  
 Primäre sichtbare Seite  
 Primary visible side

DEKPROFIELEN  
 PROFILS COUVERTURES  
 ABDECKPROFIL  
 COVER PROFILES



MC058-MC149

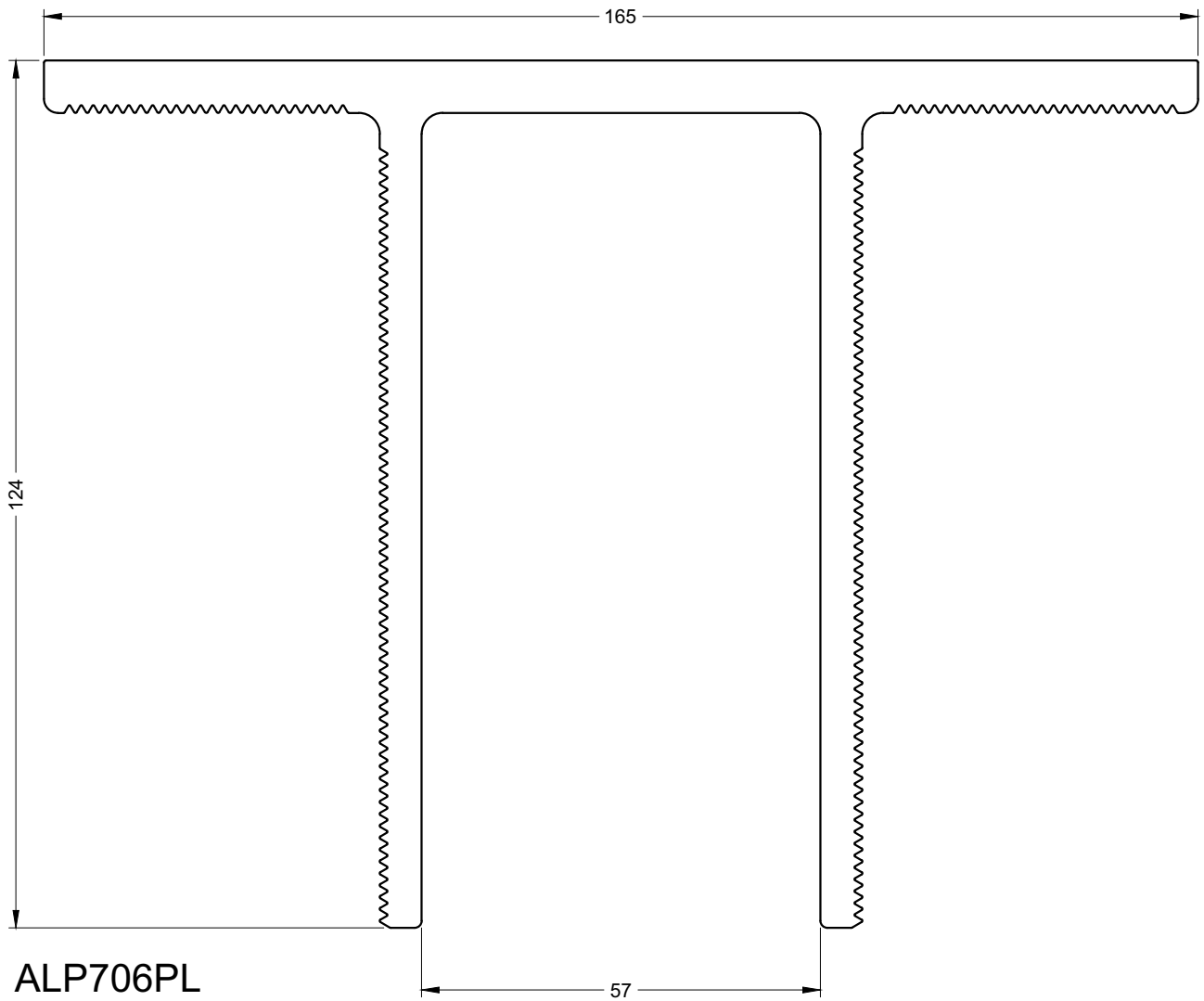


Primaire zichtzijde  
 Côté visible primaire

Primäre sichtbare Seite  
 Primary visible side

# MC-WALL

PROFIEL VOOR VERANKERINGEN  
PROFIL POUR ADAPTATION  
PROFIL FÜR VERANKERUNG  
PROFILE FOR ANCHORING



ALP706PL

46

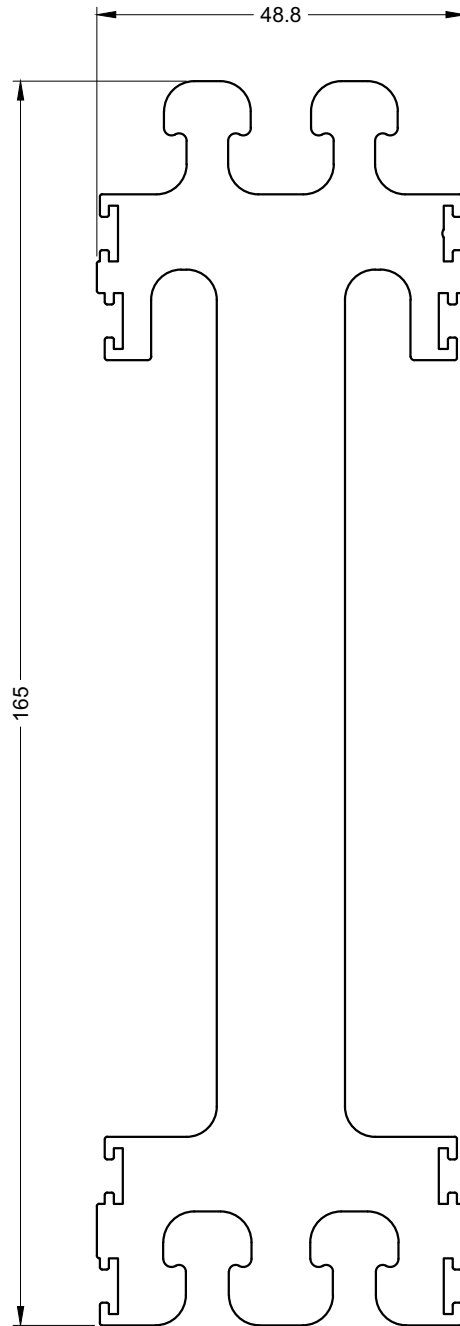


Primaire zichtzijde  
Côté visible primaire

Primäre sichtbare Seite  
Primary visible side

18/1/18

VERBINDINGSPROFIEL  
PROFIL DE JONCTION  
VERBINDUNGSPROFIL  
CONNECTION PROFILE



ALP705

PROFIELEN - PROFILS-PROFILE - PROFILES

ALP705

**aliplast**  
member of



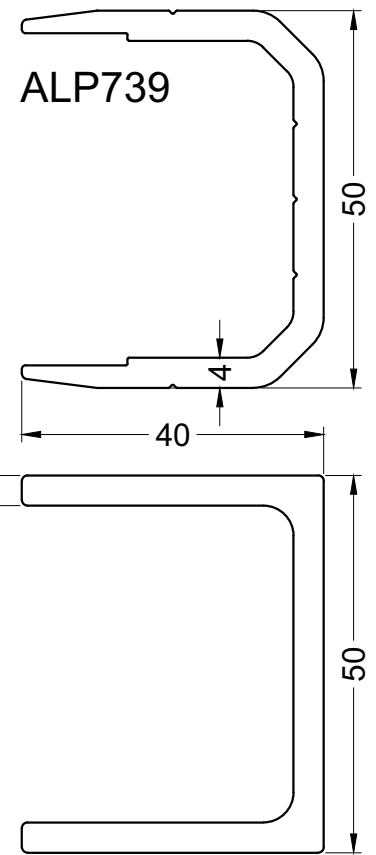
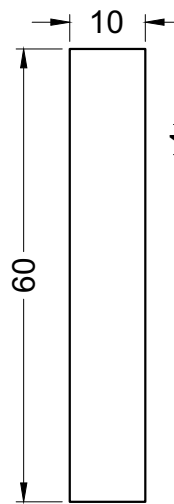
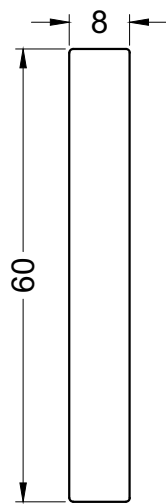
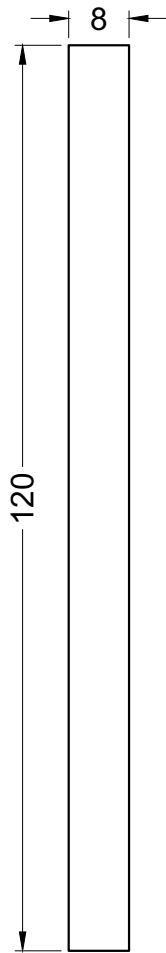
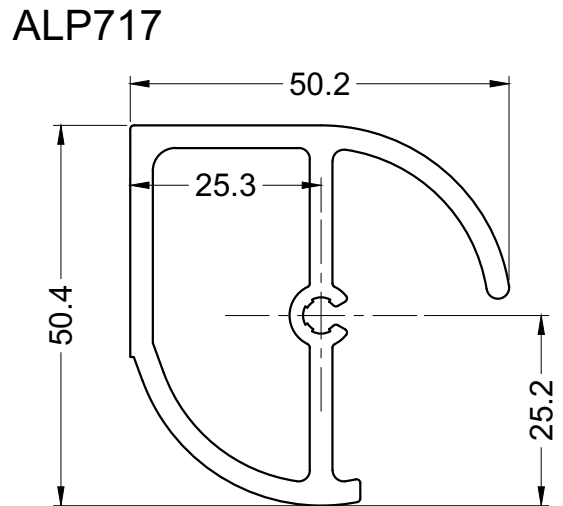
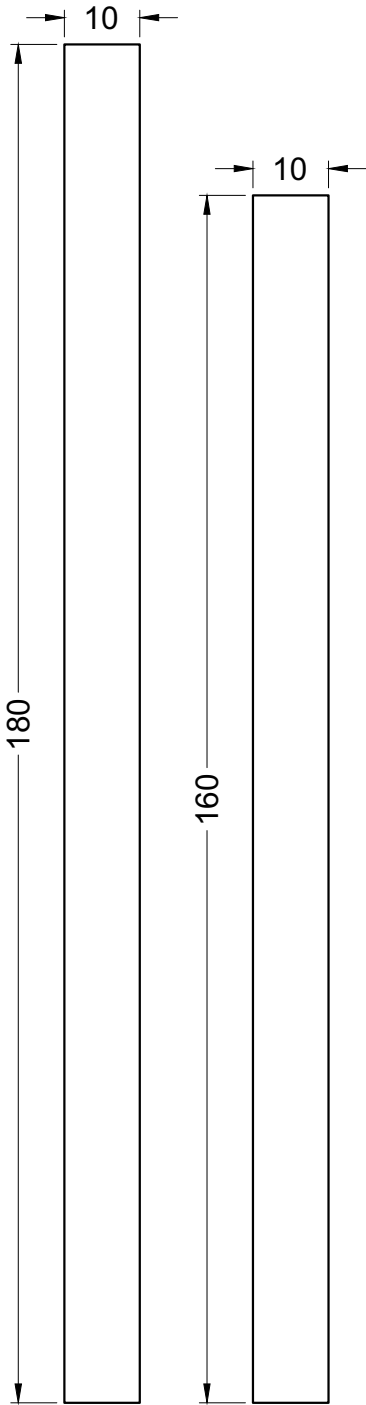
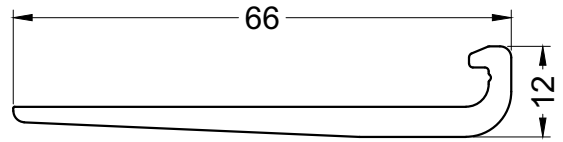
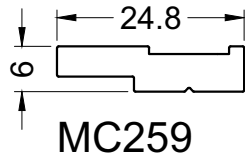
Primaire zichtzijde  
Côté visible primaire

Primäre sichtbare Seite  
Primary visible side

18/1/18

# MC-WALL

BASIS PROFIELEN  
 PROFILS DE BASE  
 BASIS PROFIELEN  
 BASE PROFILES



ALP718

ALP719

ALP720

ALP702

UTL081

ALP704

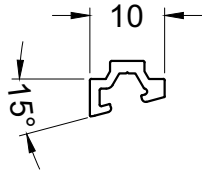
BASISPROFIELEN

-----  
 Primaire zichtzijde  
 Côté visible primaire

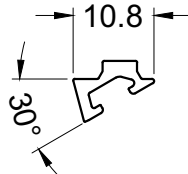
Primäre sichtbare Seite  
 Primary visible side



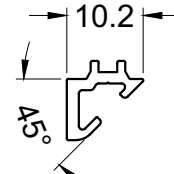
DIVERSE PROFIELEN  
 PROFILS DIVERSE  
 DIVERS PROFIELEN  
 VARIED PROFILES



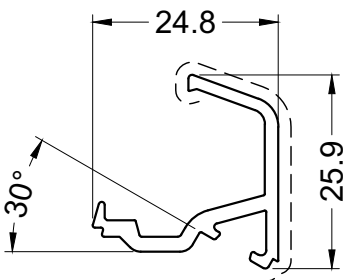
MC705 (0 ÷ 15)



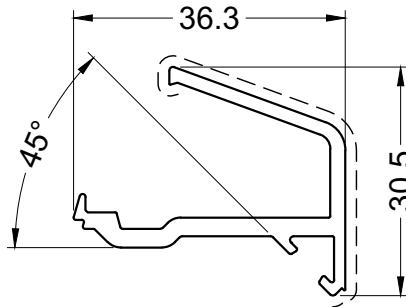
MC710 (15 ÷ 30)



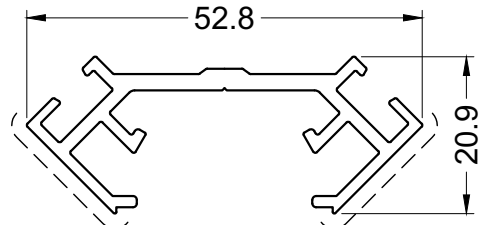
MC730 (30 ÷ 45)



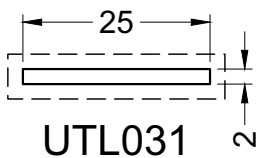
MC720 (15 ÷ 30)



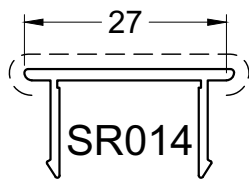
MC740 ± (30 ÷ 45)



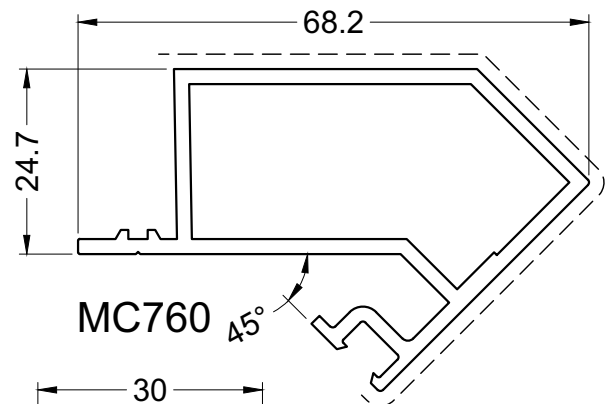
MC765 - (40 ÷ 45)



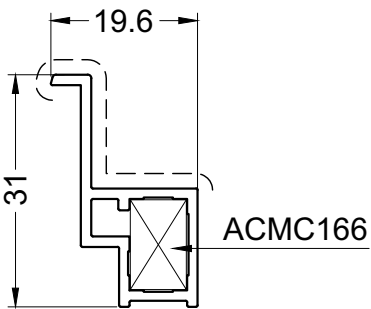
UTL031



SR014

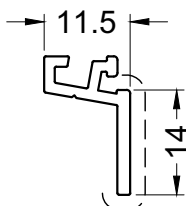


MC760 45°

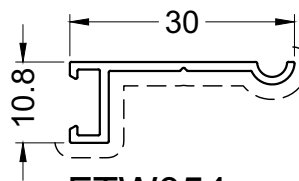


ACMC166

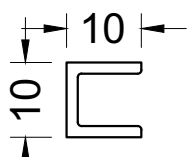
MC066  
ANOD



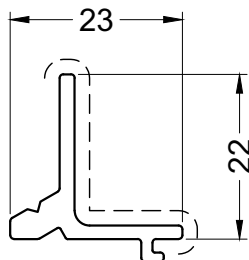
MC069



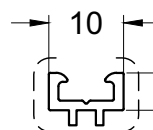
FTW054



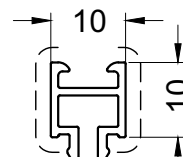
MC071  
ANOD



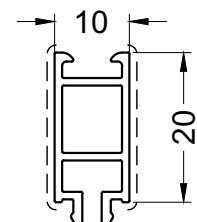
MC434



MC117



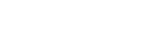
MC116



MC118

DIVERS

**aliplast**  
member of

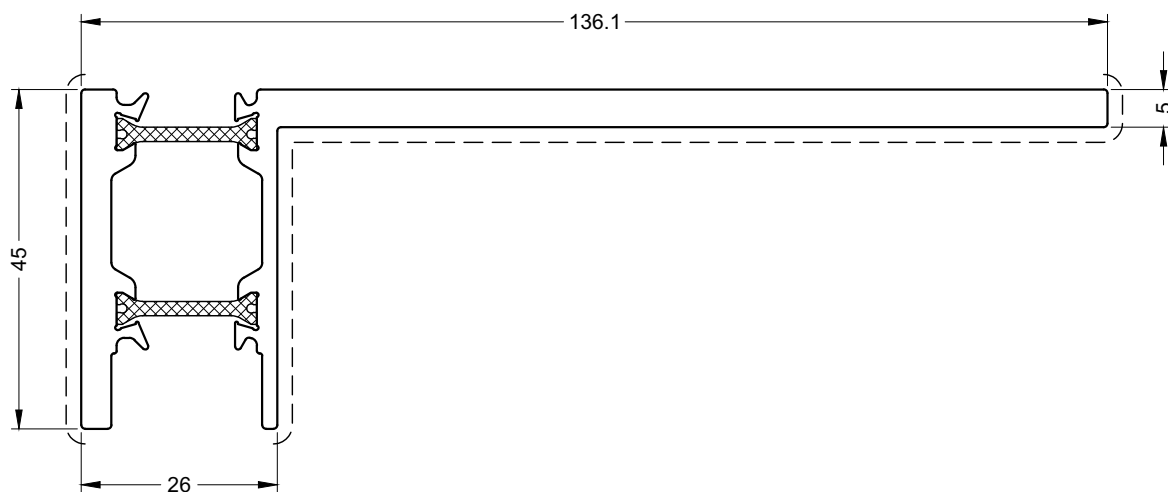


Primaire zichtzijde  
Côté visible primaire

Primäre sichtbare Seite  
Primary visible side

# MC-WALL

AANSLUITPROFIEL  
PROFIL DE JONCTION  
ANSCHLUSSPROFIL  
CONNECTING PROFILE



MC080

MC080

50



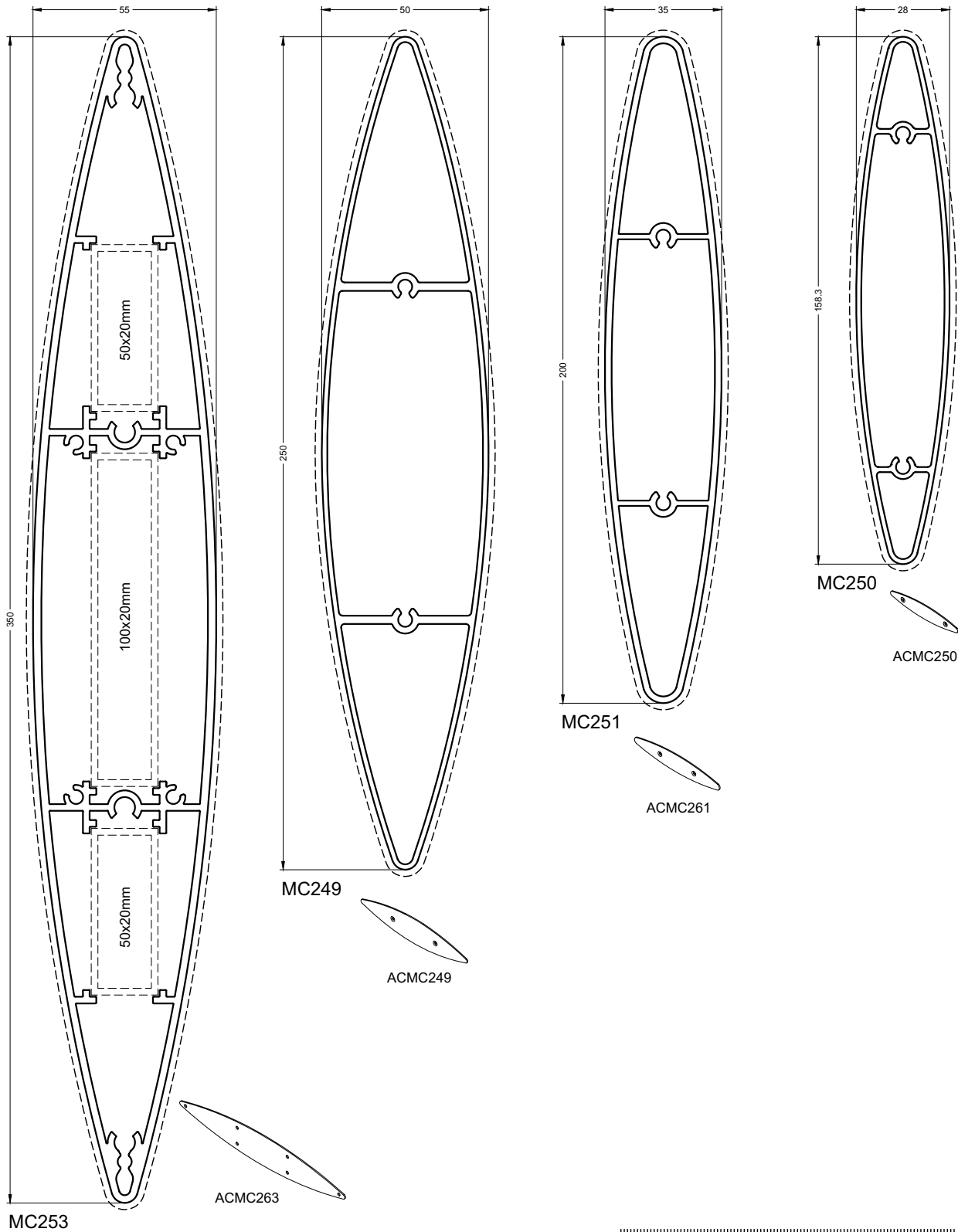
Primaire zichtzijde  
Côté visible primaire

Primäre sichtbare Seite  
Primary visible side

18/1/18

ZONWERINGSPROFIELEN  
 BRISES SOLEIL  
 SONNESCHUTZPROFIELEN  
 SUNSCREEN PROFILES

PROFIELEN - PROFILS-PROFILE - PROFILES



MC249-MC250-MC251-MC253

**aliplast**  
 member of



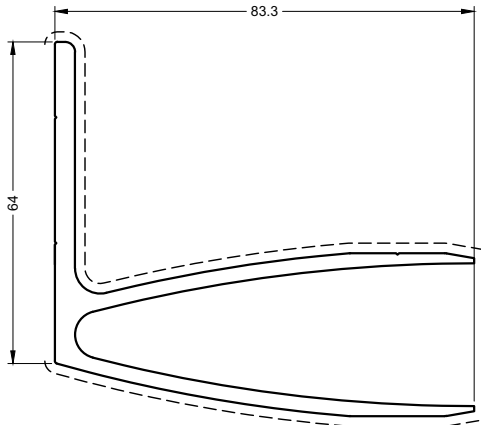
-----  
 Primaire zichtzijde  
 Côté visible primaire

-----  
 Primäre sichtbare Seite  
 Primary visible side

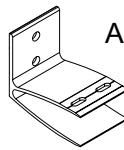


# MC-WALL

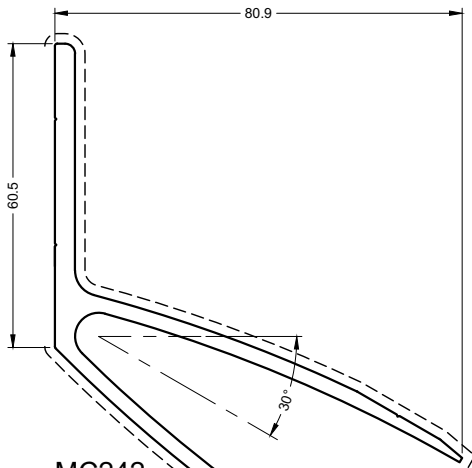
ZONWERINGSPROFIELEN  
 BRISES SOLEIL  
 SONNESCHUTZPROFIELEN  
 SUNSCREEN PROFILES



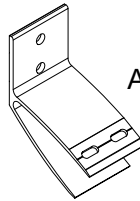
MC244



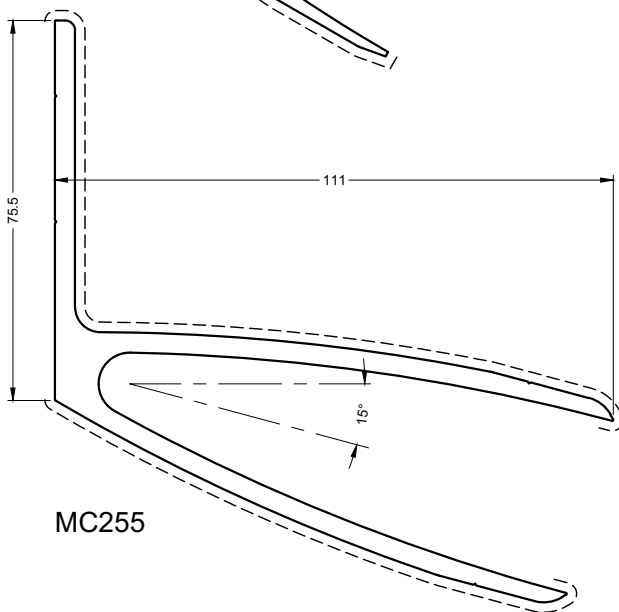
ACMC244



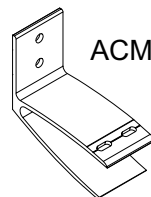
MC242



ACMC242



MC255



ACMC265

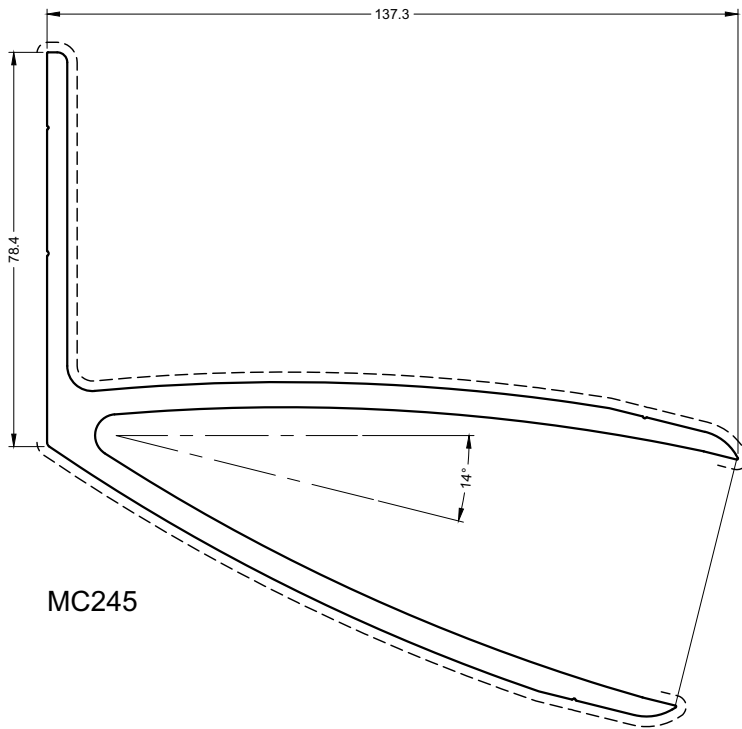
MC242-MC244-MC255

-----  
 Primaire zichtzijde  
 Côté visible primaire

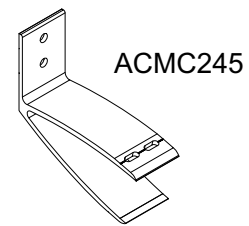


Primäre sichtbare Seite  
 Primary visible side

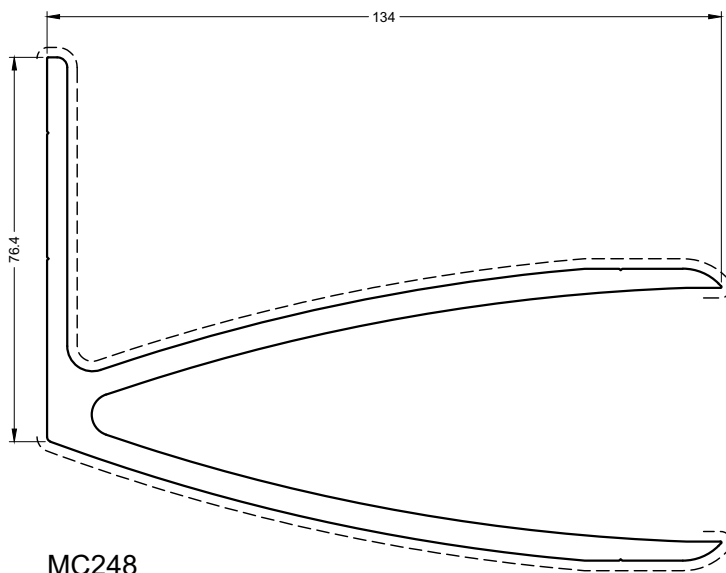
ZONWERINGSPROFIELEN  
 BRISES SOLEIL  
 SONNESCHUTZPROFIELEN  
 SUNSCREEN PROFILES



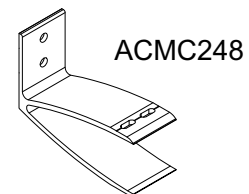
MC245



ACMC245



MC248



ACMC248

MC245-MC248

**aliplast**  
 member of



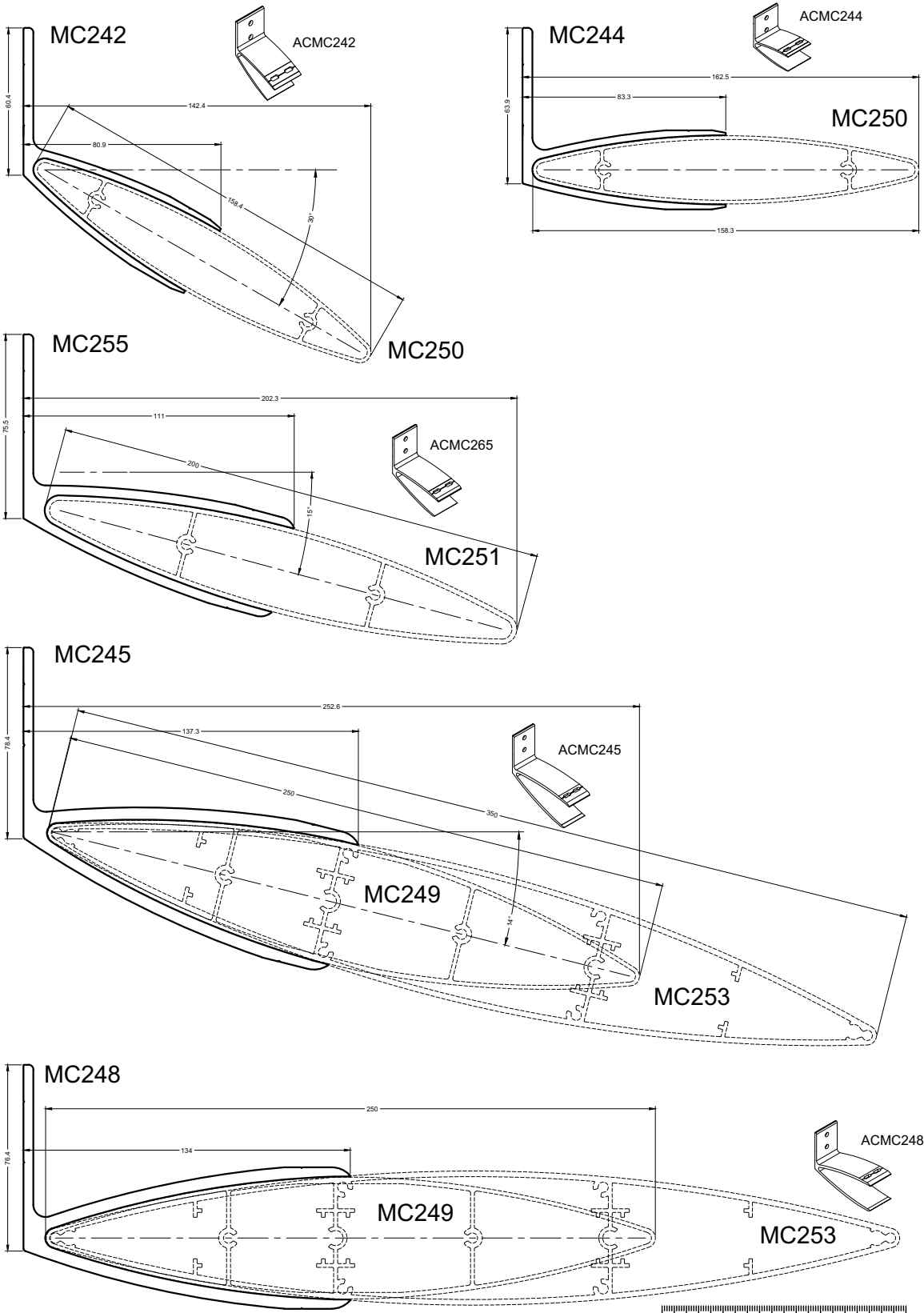
-----  
 Primaire zichtzijde  
 Côté visible primaire



Primäre sichtbare Seite  
 Primary visible side

# MC-WALL

ZONWERINGSPROFIELEN  
 BRISÉS SOLEIL  
 SONNESCHUTZPROFIELEN  
 SUNSCREEN PROFILES



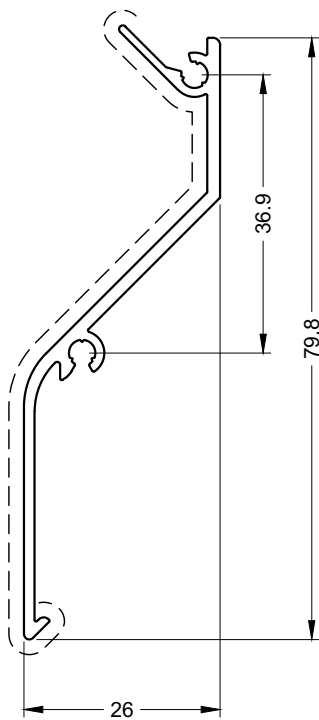
BRISÉS SOLEIL

Primaire zichtzijde  
 Côté visible primaire

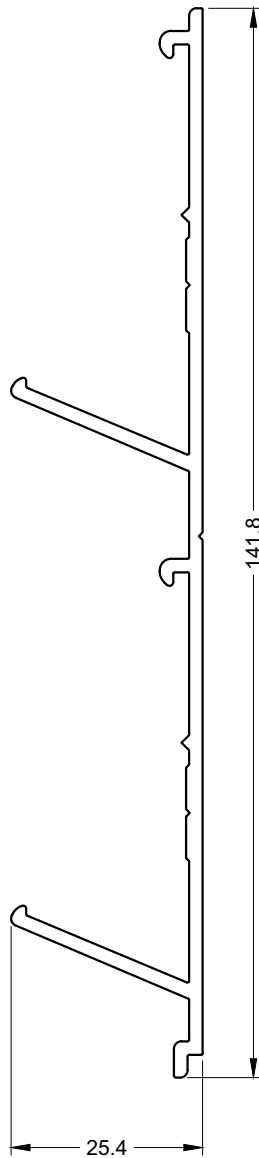
Primäre sichtbare Seite  
 Primary visible side



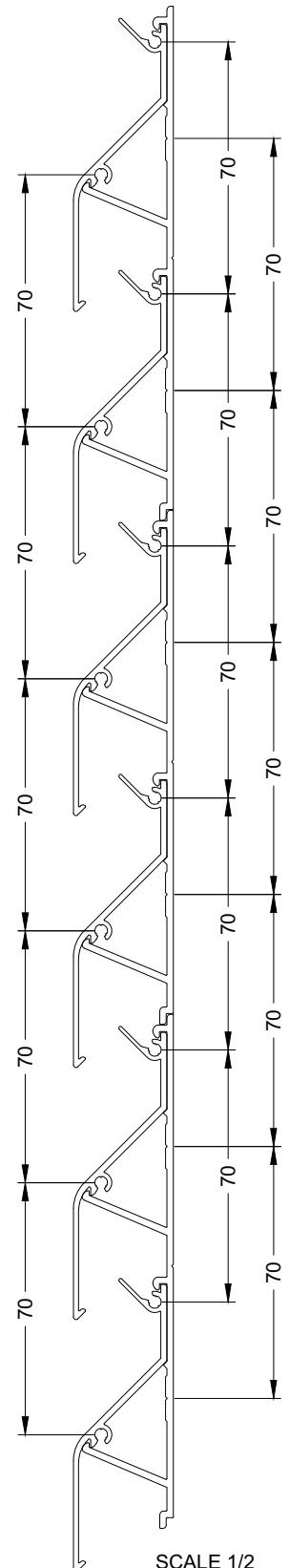
ZONWERINGSPROFIELEN  
 BRISES SOLEIL  
 SONNESCHUTZPROFIELEN  
 SUNSCREEN PROFILES



SN010



SN020



SCALE 1/2

PROFIELEN - PROFILS-PROFILE - PROFILES

SN010-SN020

**aliplast**  
 member of

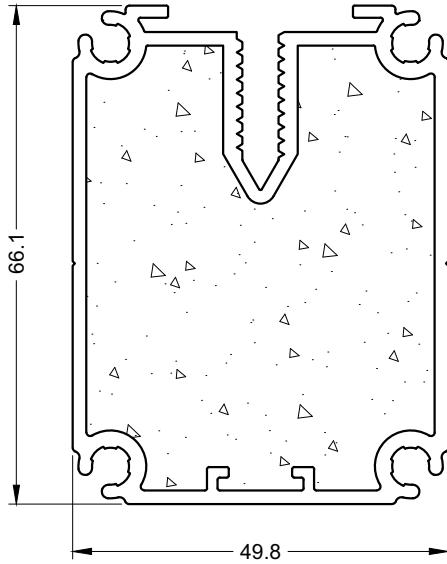


Primaire zichtzijde  
 Côté visible primaire

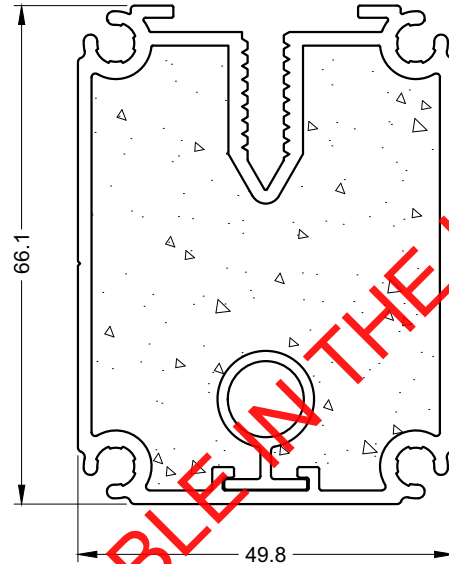
Primäre sichtbare Seite  
 Primary visible side

# MC-WALL

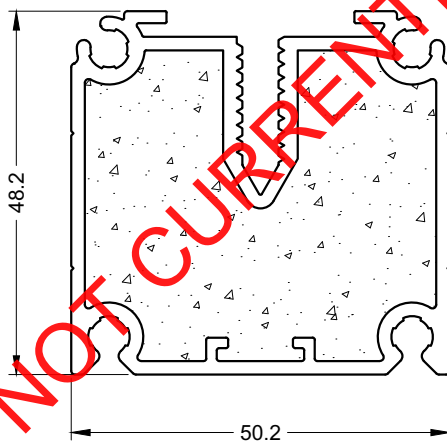
VERSTEVIGINGSPROFIELEN MC FIRE  
 PROFILS DE RENFORCEMENT MC FIRE  
 VERSTÄRKUNGSPROFIELEN MC FIRE  
 REINFORCEMENT PROFILES MC FIRE



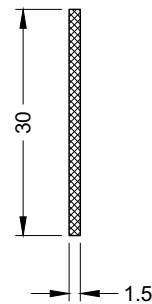
MC800



MC801



MC803



MC805

NOT CURRENTLY AVAILABLE IN THE UK

MC800-MC801-MC803-MC805

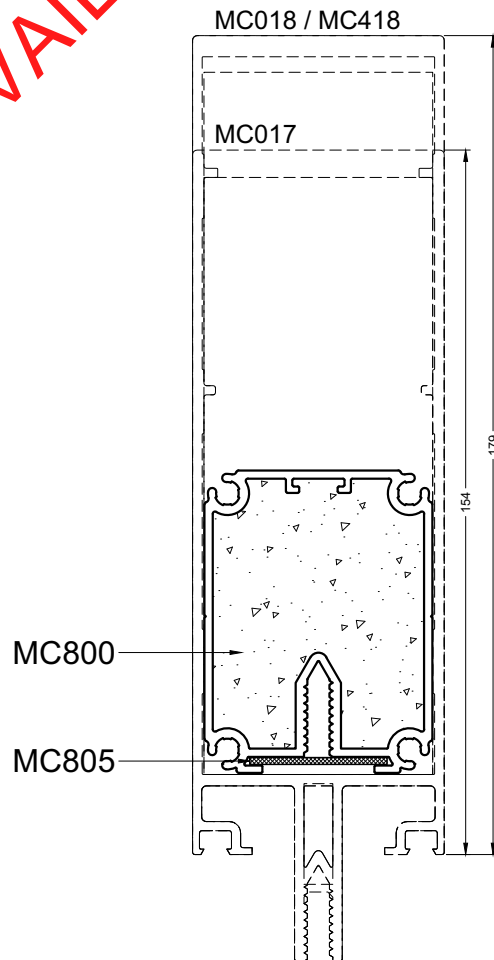
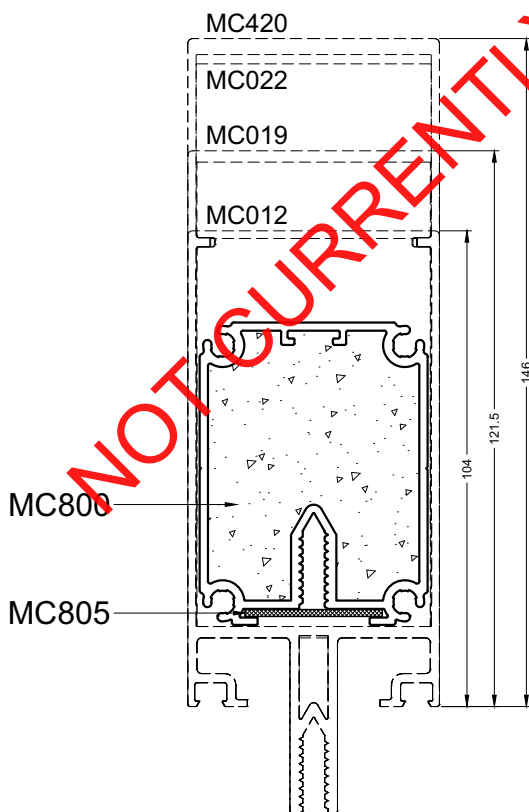
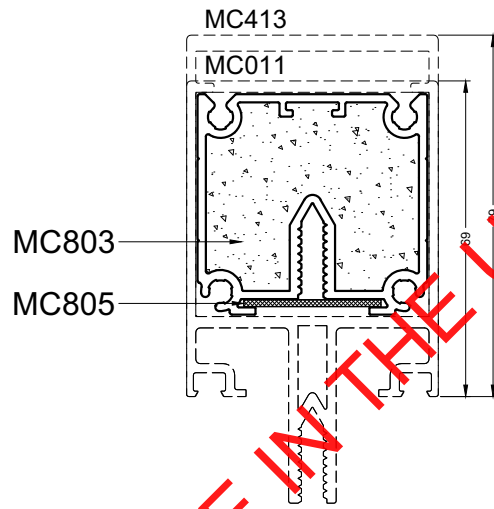
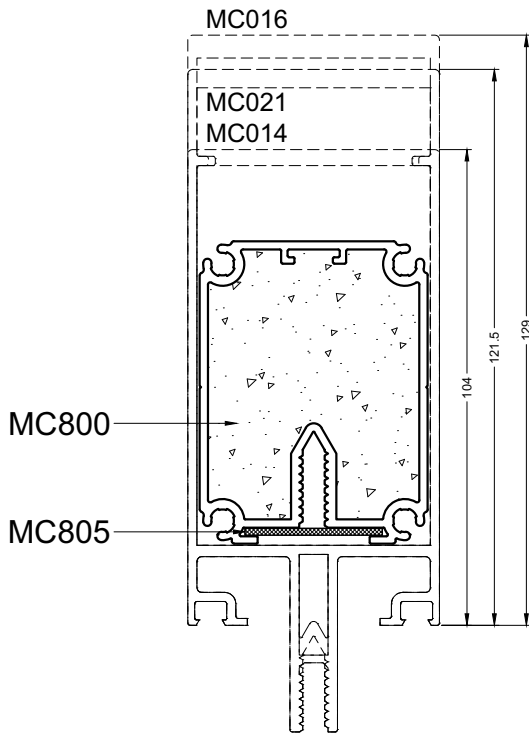


Primaire zichtzijde  
 Côté visible primaire

Primäre sichtbare Seite  
 Primary visible side



STIJLEN + VERSTERKINGSPROFIEL MC FIRE  
 MONTANTS + RENFORCEMENT MC FIRE  
 PFOSTEN + VERSTÄRKUNG MC FIRE  
 MULLIONS + REINFORCEMENT MC FIRE



NOT CURRENTLY AVAILABLE IN THE UK

STIJLEN+VERSTEVIJINGEN\_MC\_FIRE

**aliplast**  
 member of

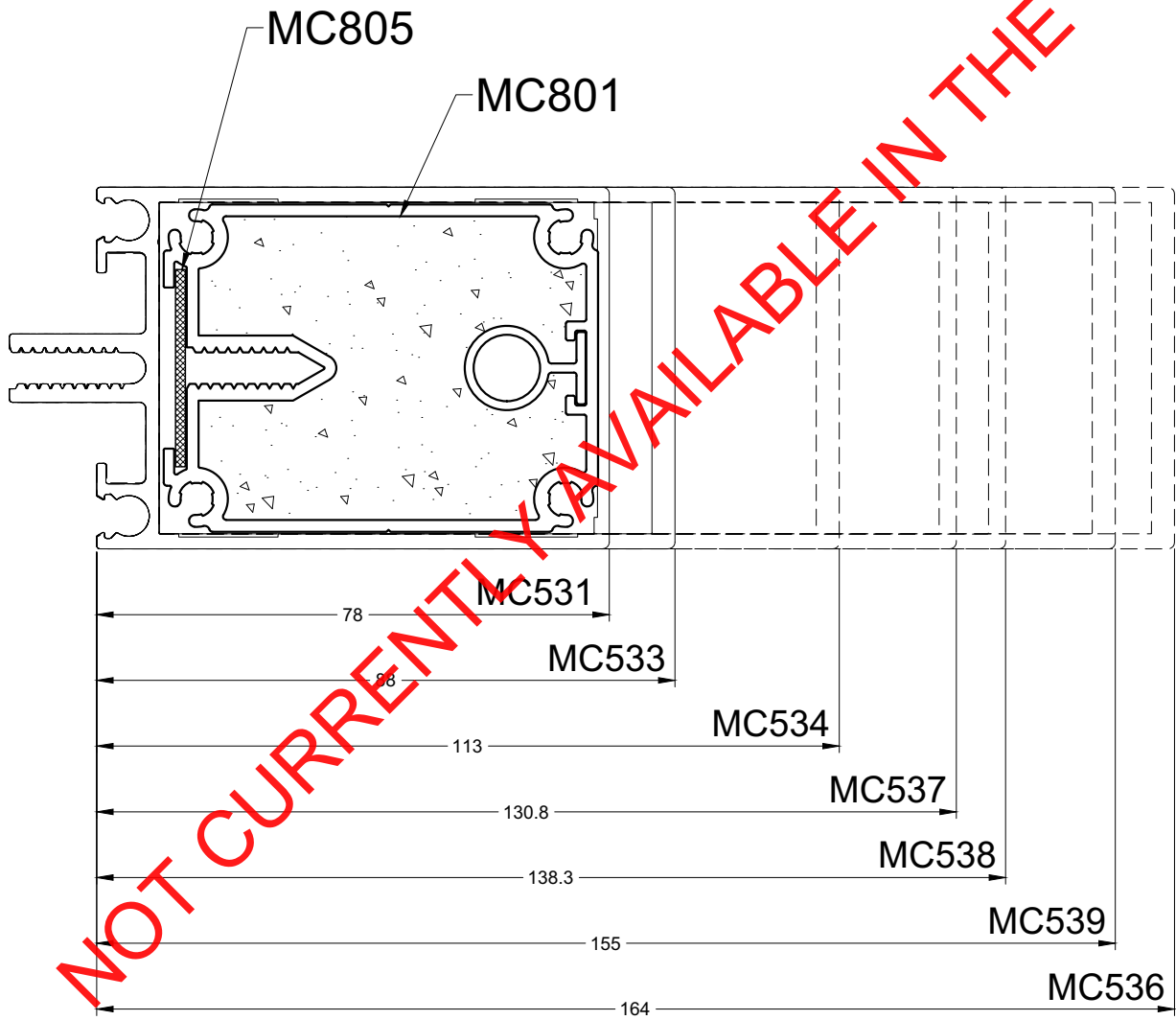


Primaire zichtzijde  
 Côté visible primaire

Primäre sichtbare Seite  
 Primary visible side

# MC-WALL

REGELS+ VERSTERKINGSPROFIEL MC FIRE  
 TRAVERSES + REINFORCEMENT MC FIRE  
 RIEGEL + VERSTÄRKUNG MC FIRE  
 TRANSOMS + REINFORCEMENT MC FIRE



NOT CURRENTLY AVAILABLE IN THE UK

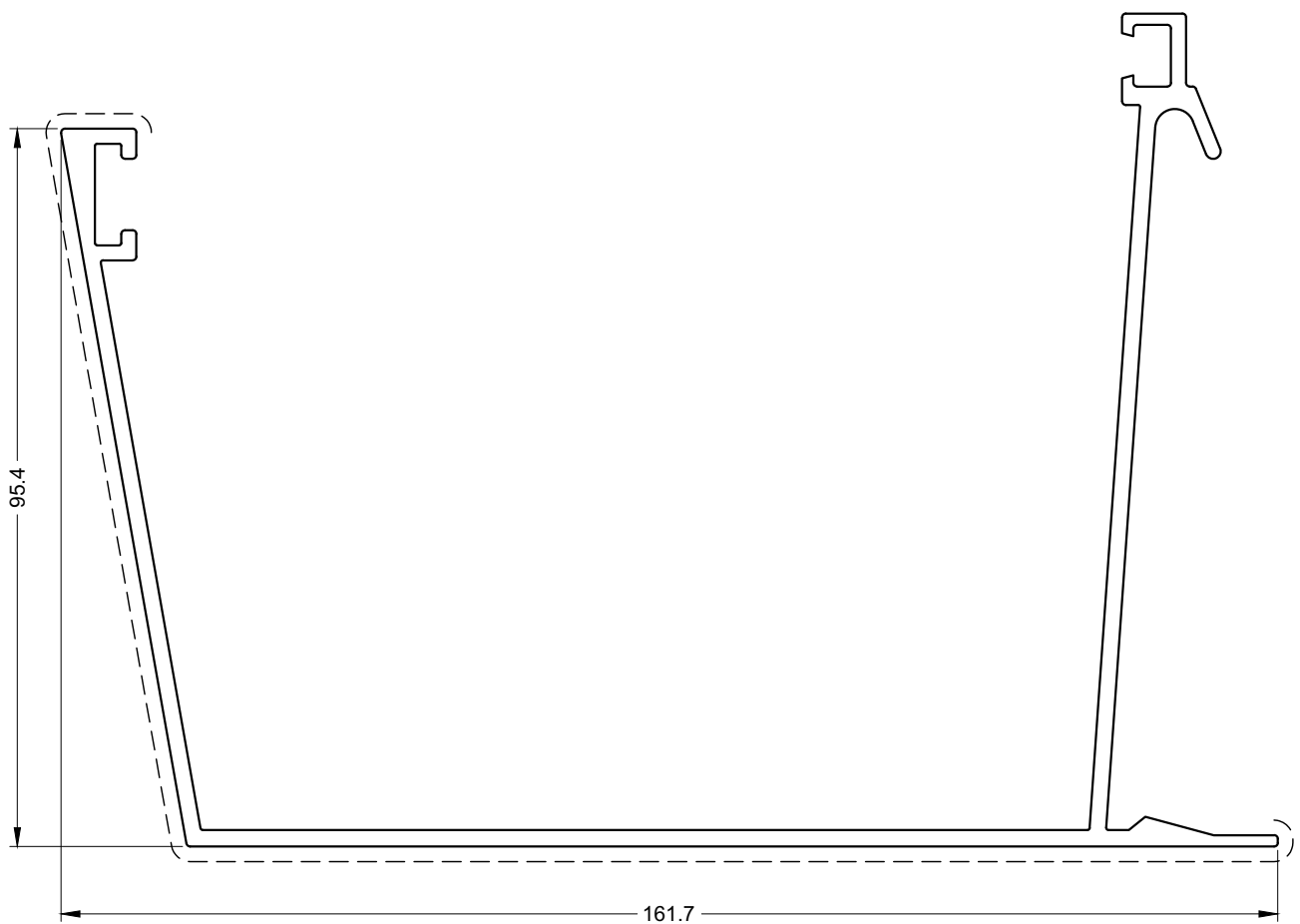
REGELS+VERSTEVINGEN\_MC\_FIRE



Primaire zichtzijde  
Côté visible primaire

Primäre sichtbare Seite  
Primary visible side

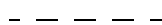
GOOT  
GOUTTIERE  
RINNE  
GUTTER



VT021

PROFIELEN - PROFILS-PROFILE - PROFILES

VT021



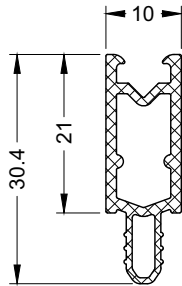
Primaire zichtzijde  
Côté visible primaire

Primäre sichtbare Seite  
Primary visible side

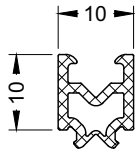
18/1/18

# MC-WALL

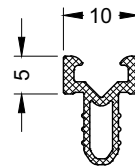
PVC PROFIELEN  
 PROFILS PVC  
 PVC PROFILEN  
 PVC PROFILES



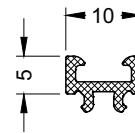
MC005



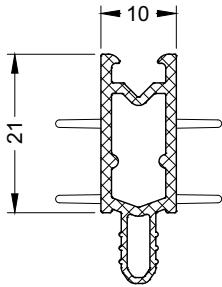
MC006



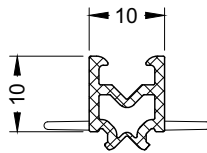
MC008



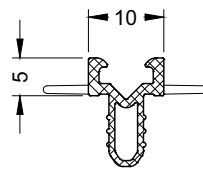
MC009



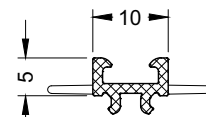
MC005H



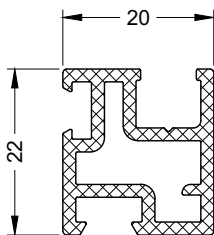
MC006H



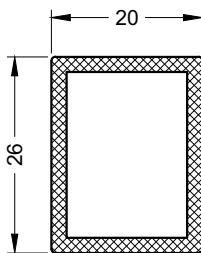
MC008H



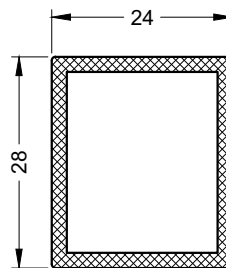
MC009H



MC007



MC165



MC166

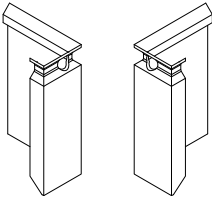




PVC

60



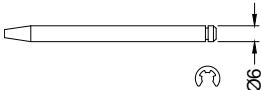
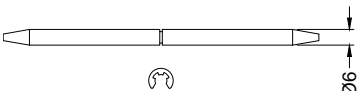



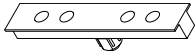
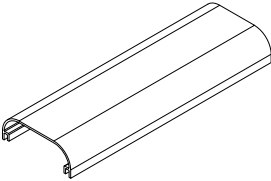
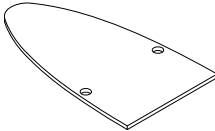
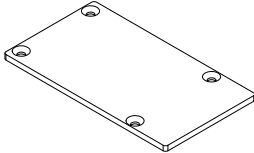
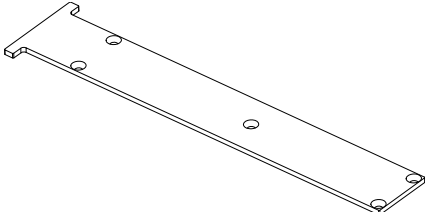
Primaire zichtzijde  
 Côté visible primaire

Primäre sichtbare Seite  
 Primary visible side

AFBEELDING IMAGE BILD PICTURE	OMSCHRIJVING DESCRIPTION BESCHREIBUNG DESCRIPTION	TOEPASSING APLPLICATION ANWENDUNG APPLICATION	VERP.PER EMB.PAR PACK PR. PACK PR.
	<p><b>ACMC014</b></p> <p>PVC KOPPELSTUKJES PIECE RACCORD EN PVC PVC VERBINDUNGSSTUCK PVC COUPLING PIECE</p>	<p>MC010 MC011 ...</p>	<p>1 SET 500 SETS</p>
	<p><b>ACMC0015E</b></p> <p>RUBBER JOINT DICHTUNG GASKET</p> <p>H = 5.5mm</p> <p>0° - 15°</p>	<p>MC151 MC720 MC740</p>	<p>00M</p>
	<p><b>ACMC0045E</b></p> <p>RUBBER JOINT DICHTUNG GASKET</p> <p>H = 12mm</p> <p>0° - 45°</p>	<p>MC151 MC720 MC740</p>	<p>100M</p>
	<p><b>ACMC015</b></p> <p>RUBBER JOINT DICHTUNG GASKET</p> <p>H = 13mm</p>	<p>MC010 MC011 MC012 ...</p>	<p>100M 1600M</p>
	<p><b>ACMC016</b></p> <p>RUBBER JOINT DICHTUNG GASKET</p> <p>H = 3mm</p>	<p>MC010 MC011 MC012 ...</p>	<p>150M 3600M</p>

# MC-WALL

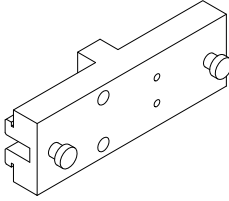
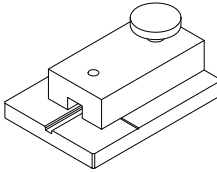
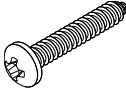
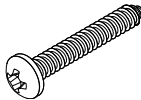

AFBEELDING IMAGE BILD PICTURE	OMSCHRIJVING DESCRIPTION BESCHREIBUNG DESCRIPTION	TOEPASSING APLPLICATION ANWENDUNG APPLICATION	VERP.PER EMB.PAR PACK PR. PACK PR.
	<p><b>ACMC019</b></p> <p>RUBBER JOINT DICHTUNG SEALING</p>	<p>MC114 MC115 MC152 MC157</p>	<p>50</p>
	<p><b>ACMC025</b></p> <p>PEN VOOR REGEL TIGE POUR TRAVERSE STIFT FUR RIEGEL PIN FOR TRANSOM</p>	<p>MC510 MC530 MC531 ...</p>	<p>1</p>
	<p><b>ACMC026</b></p> <p>PEN VOOR LAATSTE REGEL TIGE POUR DERNIERE TRAVERSE STIFT FUR ENDRIEGEL PIN FOR ENDING TRANSOM</p>	<p>MC510 MC530 MC531 ...</p>	<p>1</p>
	<p><b>ACMC027</b></p> <p>PEN VOOR MC058 TIGE POUR MC058 STIFT FUR MC058 PIN FOR MC058</p>	<p>MC058</p>	<p>1</p>
	<p><b>ACMC028</b></p> <p>PEN VOOR MC059 TIGE POUR MC059 STIFT FUR MC059 PIN FOR MC059</p>	<p>MC059</p>	<p>50</p>

AFBEELDING IMAGE BILD PICTURE	OMSCHRIJVING DESCRIPTION BESCHREIBUNG DESCRIPTION	TOEPASSING APPLICATION ANWENDUNG APPLICATION	VERP.PER EMB.PAR PACK PR. PACK PR.
	<p><b>ACMC031</b></p> <p>GLIJSTUK REDEL PIECE DE FRICTION POUR TRAVERSE GLEISTUCK FÜR RIEGEL FRICTION PIECE</p>	<p>MC010 ...</p>	<p>100</p>
	<p><b>ACMC040</b></p> <p>KOPPELSTUK PIECE DE RACCORD VERBINDUNGSSTÜCK COUPLING PIECE</p> <p>150MM</p>	<p>MC050</p>	<p>1</p>
	<p><b>ACMC051</b></p> <p>AFDEKPLAAT FERMETURE LATÉRALE ENDKAPPE SIDE PLATE</p>	<p>MC051</p>	<p>1</p>
	<p><b>ACMC057</b></p> <p>AFDEKPLAAT FERMETURE LATÉRALE ENDKAPPE SIDE PLATE</p>	<p>MC057</p>	<p>1</p>
	<p><b>ACMC058</b></p> <p>AFDEKPLAAT FERMETURE LATÉRALE ENDKAPPE SIDE PLATE</p>	<p>MC058</p>	<p>1</p>





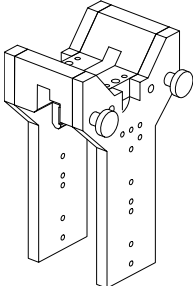
# MC-WALL

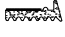
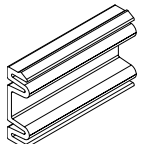
AFBEELDING IMAGE BILD PICTURE	OMSCHRIJVING DESCRIPTION BESCHREIBUNG DESCRIPTION	TOEPASSING APLPLICATION ANWENDUNG APPLICATION	VERP.PER EMB.PAR PACK PR. PACK PR.
	<p><b>ACMC059</b></p> <p>AFDEKPLAAT FERMETURE LATERALE ENDKAPPE SIDE PLATE</p>	MC059	1
	<p><b>ACMC099</b></p> <p>DEMONTAGE GEREEDSCHAP OUTIL DE DECAPSULAGE ENTDECKELN WERKZEUG DECAPPING TOOL</p>	DK052E DK052N DK053 DK053E ...	1
	<p><b>ACMC103</b></p> <p>VERVALBOOR FRAISE ZAPFENSENKER REDUCED TWIST DRILL</p> <p>Ø5 → Ø10</p>	MC531 MC532 MC533 MC534 ...	1
	<p><b>ACMC105</b></p> <p>BOORMAL GABARIT DE PERCAGE BOHRSCHABLONE DRILLING TEMPLATE</p>	MC010 MC011 MC012 ... ACMC031	1
	<p><b>ACMC106</b></p> <p>BOORMAL GABARIT DE PERCAGE BOHRSCHABLONE DRILLING TEMPLATE</p>	MC010 MC011 MC012 ... ACMC025 ACMC026	1



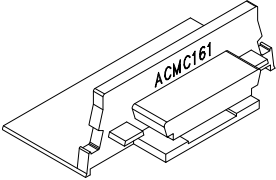
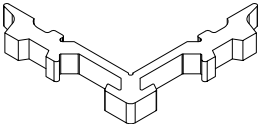
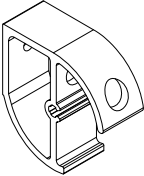
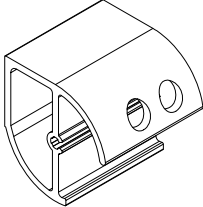
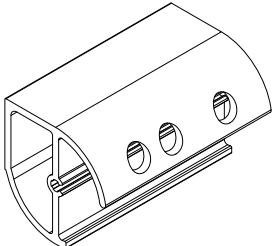
AFBEELDING IMAGE BILD PICTURE	OMSCHRIJVING DESCRIPTION BESCHREIBUNG DESCRIPTION	TOEPASSING APLPLICATION ANWENDUNG APPLICATION	VERP.PER EMB.PAR PACK PR. PACK PR.
	<p><b>ACMC107</b></p> <p>BOORMAL GABARIT DE PERCAGE BOHRSCHABLONE DRILLING TEMPLATE</p>	<p>MC531 MC532 MC533 MC534 ...</p>	<p>1</p>
	<p><b>ACMC108</b></p> <p>BOORMAL GABARIT DE PERCAGE BOHRSCHABLONE DRILLING TEMPLATE</p>	<p>MC705 MC710 MC730</p>	<p>1</p>
	<p><b>ACMC109</b></p> <p>SCHROEF VIS SCHRAUBE SCREW</p> <p>DIN7981 6.3 x 38</p>	<p>MC150 DK154</p>	<p>200</p>
	<p><b>ACMC110</b></p> <p>SCHROEF VIS SCHRAUBE SCREW</p> <p>DIN7981 6.3 x 45</p>	<p>MC150 DK154</p>	<p>100</p>
	<p><b>ACMC111</b></p> <p>AFDICHTINGSRING RONDELLE D'ETANCHEITE ABDICHTSCHEIBE SEAL RING</p> <p>Ø6.3</p>	<p>MC055 MC150 MC151 MC160</p>	<p>100M</p>

# MC-WALL

AFBEELDING IMAGE BILD PICTURE	OMSCHRIJVING DESCRIPTION BESCHREIBUNG DESCRIPTION	TOEPASSING APLPLICATION ANWENDUNG APPLICATION	VERP.PER EMB.PAR PACK PR. PACK PR.
	<p><b>ACMC115</b></p> <p>RUBBER JOINT DICHTUNG GASKET</p> <p>H = 15mm</p>	<p>MC010 MC011 MC012 ...</p>	<p>100M</p>
	<p><b>ACMC116</b></p> <p>RUBBER JOINT DICHTUNG GASKET</p> <p>H = 5mm</p>	<p>MC010 MC011 MC012 ...</p>	<p>100M</p>
	<p><b>ACMC117</b></p> <p>RUBBER JOINT DICHTUNG GASKET</p>	<p>MC055</p>	<p>50M</p>
	<p><b>ACMC118</b></p> <p>RUBBER JOINT DICHTUNG GASKET</p>	<p>MC150</p>	<p>50M</p>
	<p><b>ACMC120</b></p> <p>BOORMAL GABARIT DE PERCAGE BOHRSCHABLONE DRILLING TEMPLATE</p>	<p>MC010 MC011 MC012 ...</p>	<p>1</p>

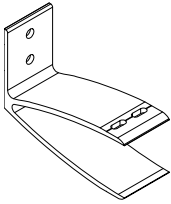
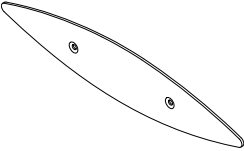
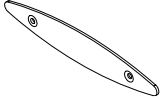
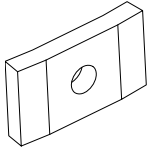
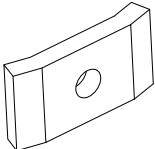
AFBEELDING IMAGE BILD PICTURE	OMSCHRIJVING DESCRIPTION BESCHREIBUNG DESCRIPTION	TOEPASSING APPLICATION ANWENDUNG APPLICATION	VERP.PER EMB.PAR PACK PR. PACK PR.
	<b>ACMC150</b>  RUBBER JOINT DICHTUNG GASKET	MC150	100M 1600M
	<b>ACMC151</b>  RUBBER JOINT DICHTUNG GASKET	MC150 MC151	150M
	<b>ACMC156</b>  EINDSTUK EMBOUT ENDSTÜCK END PIECE	MC056 MC155 MC156	100
	<b>ACMC156S</b>  RUBBER JOINT DICHTUNG GASKET	MC056	100M
	<b>ACMC160</b>  AFSTANDHOUDER ENTRETOISE DISTANSHALTER DISTANCE KEEPER	MC160	1

# MC-WALL

AFBEELDING IMAGE BILD PICTURE	OMSCHRIJVING DESCRIPTION BESCHREIBUNG DESCRIPTION	TOEPASSING APLPLICATION ANWENDUNG APPLICATION	VERP.PER EMB.PAR PACK PR. PACK PR.
	<p><b>ACMC161</b></p> <p>EINDSTUK EMBOUT ENDSTUCK END PIECE</p>	<p>MC151 MC160</p>	<p>1</p>
	<p><b>ACMC166</b></p> <p>PERSHOEK EQUERRE A SERTIR PRESSECKWINKEL CRIMP CORNER CLEAT</p>	<p>MC066</p>	<p>1</p>
	<p><b>ACMC210</b></p> <p>VERBINDINGSSTUK PIECE DE JONCTION VERBINDUNG BRACKET</p>	<p>MC010</p>	<p>1</p>
	<p><b>ACMC213</b></p> <p>VERBINDINGSSTUK PIECE DE JONCTION VERBINDUNG BRACKET</p>	<p>MC011 MC413</p>	<p>1</p>
	<p><b>ACMC214</b></p> <p>VERBINDINGSSTUK PIECE DE JONCTION VERBINDUNG BRACKET</p>	<p>MC012 MC014 MC019 MC021 MC016 MC420 MC017 ...</p>	<p>1</p>

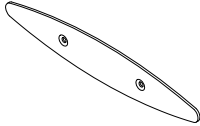
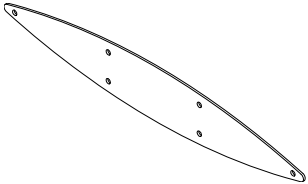
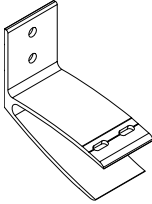
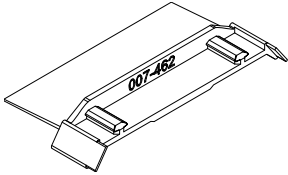
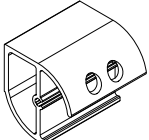
AFBEELDING IMAGE BILD PICTURE	OMSCHRIJVING DESCRIPTION BESCHREIBUNG DESCRIPTION	TOEPASSING APPLICATION ANWENDUNG APPLICATION	VERP.PER EMB.PAR PACK PR. PACK PR.
	<p><b>ACMC224</b></p> <p>KRUISVERBINDING GEVEL SUPPORT FACADE VERBINDUNG FACADE SUPPORT FACADE</p>	<p>MC010 MC011 ...</p>	<p>1</p>
	<p><b>ACMC230-240</b></p> <p>GLASSTEUN CALE DE VITRAGE KLOTZ-AUFLAGE GLAZING SUPPORT</p>	<p>MC531 MC532 ...</p>	<p>10</p>
<p>☞ 117</p>			
	<p><b>ACMC242</b></p> <p>STEUN SUPPORT KLOTZ SUPPORT</p> <p>30°</p>	<p>MC250</p>	<p>1</p>
	<p><b>ACMC244</b></p> <p>STEUN SUPPORT KLOTZ SUPPORT</p> <p>90°</p>	<p>MC250</p>	<p>1</p>
	<p><b>ACMC245</b></p> <p>STEUN SUPPORT KLOTZ SUPPORT</p> <p>14°</p>	<p>MC249</p>	<p>1</p>

# MC-WALL

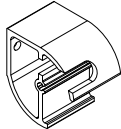
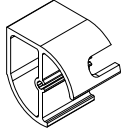
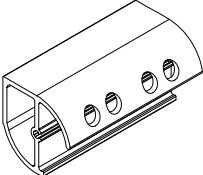
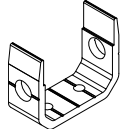
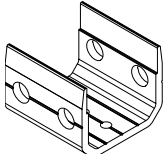
AFBEELDING IMAGE BILD PICTURE	OMSCHRIJVING DESCRIPTION BESCHREIBUNG DESCRIPTION	TOEPASSING APLPLICATION ANWENDUNG APPLICATION	VERP.PER EMB.PAR PACK PR. PACK PR.
	<p><b>ACMC248</b></p> <p>STEUN SUPPORT KLOTZ SUPPORT</p> <p>90°</p>	MC249	1
	<p><b>ACMC249</b></p> <p>AFDEKPLAAT FERMETURE LATERALE ENDKAPPE SIDE PLATE</p>	MC249	1
	<p><b>ACMC250</b></p> <p>AFDEKPLAAT FERMETURE LATERALE ENDKAPPE SIDE PLATE</p>	MC250	1
	<p><b>ACMC253</b></p> <p>BEVESTIGINGSPLAATJE PLAQUE FIXATION BUGEL FIXENING PLATE</p> <p>0°-10°</p>	MC010 MC011 ...	1
	<p><b>ACMC254</b></p> <p>BEVESTIGINGSPLAATJE PLAQUE FIXATION BUGEL FIXENING PLATE</p> <p>10°-20°</p>	MC010 MC011 ...	1

AFBEELDING IMAGE BILD PICTURE	OMSCHRIJVING DESCRIPTION BESCHREIBUNG DESCRIPTION	TOEPASSING APPLICATION ANWENDUNG APPLICATION	VERP.PER EMB.PAR PACK PR. PACK PR.
	<p><b>ACMC255</b></p> <p>BEVESTIGINGSPLAATJE PLAQUE FIXATION BUGEL FIXENING PLATE</p> <p>20°-30°</p>	<p>MC010 MC011 ...</p>	50
	<p><b>ACMC256</b></p> <p>BEVESTIGINGSPLAATJE PLAQUE FIXATION BUGEL FIXENING PLATE</p> <p>30°-40°</p>	<p>MC010 MC011 ...</p>	50
	<p><b>ACMC257</b></p> <p>BEVESTIGINGSPLAATJE PLAQUE FIXATION BUGEL FIXENING PLATE</p> <p>40°-50°</p>	<p>MC010 MC011 ...</p>	50
	<p><b>ACMC258</b></p> <p>BEVESTIGINGSPLAATJE PLAQUE FIXATION BUGEL FIXENING PLATE</p>	<p>MC010 MC011 ...</p>	50
	<p><b>ACMC259</b></p> <p>BEVESTIGINGSPLAATJE PLAQUE FIXATION BUGEL FIXENING PLATE</p>	<p>MC010 MC011 ...</p>	1

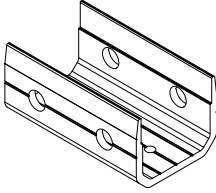
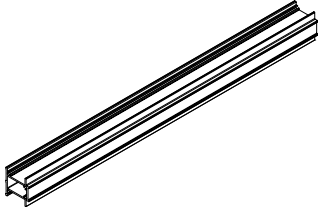
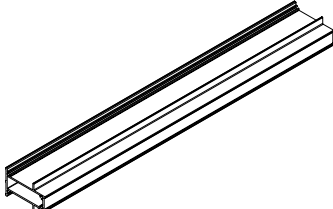
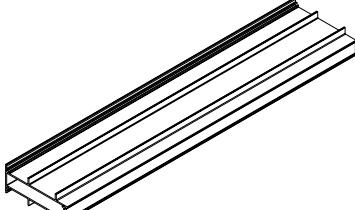
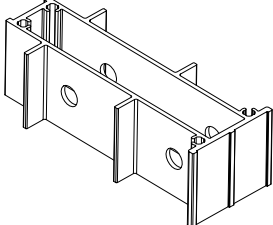
# MC-WALL

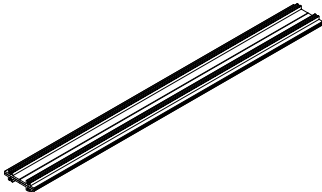
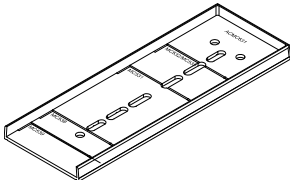
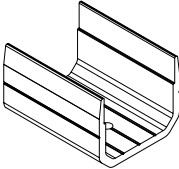
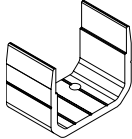
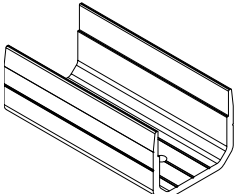
AFBEELDING IMAGE BILD PICTURE	OMSCHRIJVING DESCRIPTION BESCHREIBUNG DESCRIPTION	TOEPASSING APLPLICATION ANWENDUNG APPLICATION	VERP.PER EMB.PAR PACK PR. PACK PR.
	<p><b>ACMC261</b></p> <p>AFDEKPLAAT FERMETURE LATERALE ENDKAPPE SIDE PLATE</p>	MC251	1
	<p><b>ACMC263</b></p> <p>AFDEKPLAAT FERMETURE LATERALE ENDKAPPE SIDE PLATE</p>	MC253	1
	<p><b>ACMC265</b></p> <p>STEUN SUPPORT KLOTZ SUPPORT</p> <p>15°</p>	MC251	1
	<p><b>ACMC462</b></p> <p>EINDSTUK EMBOUT ENDSTUCK ENDPIECE</p>	MC055	1
	<p><b>ACMC531</b></p> <p>VERBINDINGSSTUK PIECE DE JONCTION VERBINDUNG BRACKET</p>	MC531 MC533	1



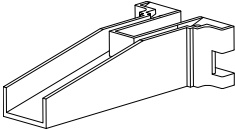
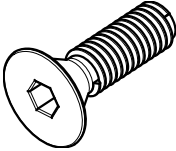

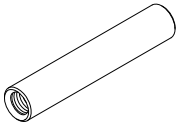
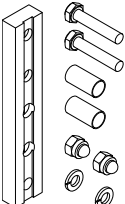
AFBEELDING IMAGE BILD PICTURE	OMSCHRIJVING DESCRIPTION BESCHREIBUNG DESCRIPTION	TOEPASSING APLPLICATION ANWENDUNG APPLICATION	VERP.PER EMB.PAR PACK PR. PACK PR.
	<p><b>ACMC532L</b></p> <p>VERBINDINGSSTUK PIECE DE JONCTION VERBINDUNG BRACKET</p>	<p>MC532 MC535 MC835</p>	<p>10</p>
	<p><b>ACMC532R</b></p> <p>VERBINDINGSSTUK PIECE DE JONCTION VERBINDUNG BRACKET</p>	<p>MC532 MC535 MC835</p>	<p>10</p>
	<p><b>ACMC534</b></p> <p>VERBINDINGSSTUK PIECE DE JONCTION VERBINDUNG BRACKET</p>	<p>MC534 MC536 MC537 MC538 MC539 MC516</p>	<p>10</p>
	<p><b>ACMC610C</b></p> <p>VERBINDINGSSTUK PIECE DE JONCTION VERBINDUNG BRACKET</p>	<p>MC010</p>	<p>1</p>
	<p><b>ACMC611C</b></p> <p>VERBINDINGSSTUK PIECE DE JONCTION VERBINDUNG BRACKET</p>	<p>MC011 MC413</p>	<p>1</p>

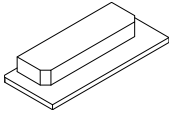
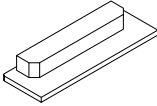
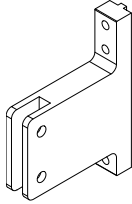
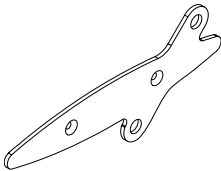
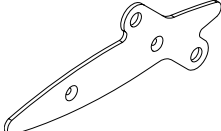
# MC-WALL

AFBEELDING IMAGE BILD PICTURE	OMSCHRIJVING DESCRIPTION BESCHREIBUNG DESCRIPTION	TOEPASSING APLPLICATION ANWENDUNG APPLICATION	VERP.PER EMB.PAR PACK PR. PACK PR.
	<p><b>ACMC612C</b></p> <p>VERBINDINGSSTUK PIECE DE JONCTION VERBINDUNG BRACKET</p>	<p>MC012 MC014 MC019 MC021 MC016 MC420</p>	<p>1</p>
	<p><b>ACMC614</b></p> <p>KOPPELSTUK PIECE DE RACCORD VERBINDUNGSSTUCK COUPLING PIECE</p> <p>600MM</p>	<p>MC011 MC413</p>	<p>1</p>
	<p><b>ACMC615</b></p> <p>KOPPELSTUK PIECE DE RACCORD VERBINDUNGSSTUCK COUPLING PIECE</p> <p>600MM</p>	<p>MC012 MC014 MC019 MC021 MC016 MC420</p>	<p>1</p>
	<p><b>ACMC616</b></p> <p>KOPPELSTUK PIECE DE RACCORD VERBINDUNGSSTUCK COUPLING PIECE</p> <p>600MM</p>	<p>MC017 MC018 MC024 MC415 MC416 MC417</p>	<p>1</p>
	<p><b>ACMC617C</b></p> <p>VERBINDINGSSTUK PIECE DE JONCTION VERBINDUNG BRACKET</p>	<p>MC017 MC018 MC415 MC416 MC417</p>	<p>1</p>

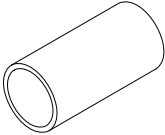
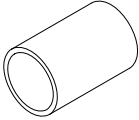
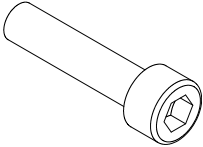
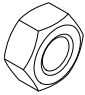

AFBEELDING IMAGE BILD PICTURE	OMSCHRIJVING DESCRIPTION BESCHREIBUNG DESCRIPTION	TOEPASSING APLPLICATION ANWENDUNG APPLICATION	VERP.PER EMB.PAR PACK PR. PACK PR.
	<p><b>ACMC625</b></p> <p>KOPPELSTUK PIECE DE RACCORD VERBINDUNGSSTUCK COUPLING PIECE</p> <p>600MM</p>	MC212	1
	<p><b>ACMC631</b></p> <p>EINDSTUK VOOR REGEL EMBOUT POUR TRAVERSE ENDSTUCK FÜR RIEGEL SUPPORT FOR TRANSOM</p>	<p>MC530 MC531 MC532 MC533 MC534 MC535 MC536 MC537 MC538 MC539</p>	10
	<p><b>ACMC631C</b></p> <p>VERBINDINGSSTUK PIECE DE JONCTION VERBINDUNG BRACKET</p>	<p>MC531 MC533</p>	10
	<p><b>ACMC632C</b></p> <p>VERBINDINGSSTUK PIECE DE JONCTION VERBINDUNG BRACKET</p>	<p>MC532 MC535 MC835</p>	10
	<p><b>ACMC634C</b></p> <p>VERBINDINGSSTUK PIECE DE JONCTION VERBINDUNG BRACKET</p>	<p>MC534 MC536 MC537 MC538 MC539 MC516</p>	10

# MC-WALL

AFBEELDING IMAGE BILD PICTURE	OMSCHRIJVING DESCRIPTION BESCHREIBUNG DESCRIPTION	TOEPASSING APLPLICATION ANWENDUNG APPLICATION	VERP.PER EMB.PAR PACK PR. PACK PR.
	<p><b>ACMC640</b></p> <p>WATERAFVOER PIECE D'ECOULEMENT D'EAU ENTWASSERUNGSTUCK WATER EVACUATION PIECE</p>	<p>MC010 MC011 MC012 ...</p>	<p>25</p>
	<p><b>ACMC648</b></p> <p>BOUT BOULON BOLZEN BOLT</p> <p>M8 x 25 DIN7991</p>	<p>ACMC650 ACMC649</p>	<p>200</p>
	<p><b>ACMC649</b></p> <p>SUPPORT VOOR AFSTANDHOUDER SUPPORT POUR ENTRETOISE SUPPORT FUR ABSTANDHULSE SUPPORT FOR SPACER</p>	<p>ACMC650</p>	<p>100</p>
	<p><b>ACMC650</b></p> <p>AFSTANDHOUDER ENTRETOISE ABSTANDHULSE SPACER</p> <p>Ø 10mm M8</p>	<p>MC010 MC011 MC012 ...</p>	<p>25</p>
	<p><b>ACMC658</b></p> <p>VERBINDING ZONNEWERING CONNECTION BRISE-SOLEIL VERBINDER SONNENSCHUTZE CONNEXION SUNBLADES</p>	<p>MC151</p>	<p>1</p>






AFBEELDING IMAGE BILD PICTURE	OMSCHRIJVING DESCRIPTION BESCHREIBUNG DESCRIPTION	TOEPASSING APPLICATION ANWENDUNG APPLICATION	VERP.PER EMB.PAR PACK PR. PACK PR.
	<b>ACMC660</b>  EINDSTUK EMBOUT ENDSTUCK ENDPIECE	DK053	50
	<b>ACMC661</b>  EINDSTUK EMBOUT ENDSTUCK ENDPIECE	DK052N	50
	<b>ACMC671</b>  VERBINDING ZONNEWERING CONNECTION BRISE-SOLEIL VERBINDER SONNENSCHUTZE CONNEXION SUNBLADES	MC010 MC011 ... UTL081	1
	<b>ACMC672</b>  AFDEKPLAAT LINKS FERMETURE LATÉRALE GAUCHE ENDKAPPE LINKS SIDE PLATE LEFT  45°	MC251	1
	<b>ACMC673</b>  AFDEKPLAAT RECHTS FERMETURE LATÉRALE DROITE ENDKAPPE RECHTS SIDE PLATE RIGHT  45°	MC251	1

# MC-WALL

AFBEELDING IMAGE BILD PICTURE	OMSCHRIJVING DESCRIPTION BESCHREIBUNG DESCRIPTION	TOEPASSING APLPLICATION ANWENDUNG APPLICATION	VERP.PER EMB.PAR PACK PR. PACK PR.
	<p><b>ACMC674</b></p> <p>AFSTANDHOUDER ENTRETOISE ABSTANDHULSE SPACER</p> <p>20MM</p>	<p>ACMC672 ACMC673</p>	<p>1</p>
	<p><b>ACMC675</b></p> <p>AFSTANDHOUDER ENTRETOISE ABSTANDHULSE SPACER</p> <p>15MM</p>	<p>ACMC672 ACMC673</p>	<p>1</p>
	<p><b>ACMC676</b></p> <p>BOUT VOOR BEVESTIGING ZONNEWERING BOULON POUR MONTAGE BRISE SOLEIL BOLZEN FÜR MONTAGE SONNESCHUTZE BOLT FOR ASSEMBLING SUNBLADES</p> <p>M8 x 35 DIN912</p>	<p>ACMC677 ACMC678</p>	<p>200</p>
	<p><b>ACMC677</b></p> <p>MOER VOOR BEVESTIGING ZONNEWERING ECROU POUR MONTAGE BRISE SOLEIL MUTTER FÜR MONTAGE SONNESCHUTZE NUT FOR ASSEMBLING SUNBLADES</p> <p>M8 DIN982</p>	<p>ACMC676 ACMC678</p>	<p>200</p>
	<p><b>ACMC678</b></p> <p>SLUITRING RONDELLE SCHEIBE WASHER</p> <p>M8 DIN 125A</p>	<p>ACMC676 ACMC677</p>	<p>200</p>

AFBEELDING IMAGE BILD PICTURE	OMSCHRIJVING DESCRIPTION BESCHREIBUNG DESCRIPTION	TOEPASSING APPLICATION ANWENDUNG APPLICATION	VERP.PER EMB.PAR PACK PR. PACK PR.
	<p><b>ACMC679</b></p> <p>AFDEKPLAAT FERMETURE LATÉRALE ENDKAPPE SIDE PLATE</p> <p>90°</p>	MC251	1
	<p><b>ACMC680</b></p> <p>BOUW VOOR BEVESTIGING ZONNEWERING BOULON POUR MONTAGE BRISE SOLEIL BOLZEN FÜR MONTAGE SONNENSCHUTZE BOLT FOR ASSEMBLING SUNBLADES</p> <p>M8 x 30 DIN912</p>	ACMC677 ACMC678	200
	<p><b>ACMC681</b></p> <p>AFDEKPLAAT FERMETURE LATÉRALE ENDKAPPE SIDE PLATE</p> <p>15°</p>	MC250	1
	<p><b>ACMC702</b></p> <p>RUBBER JOINT DICHTUNG GASKET</p> <p>H = 2mm</p>	MC010 MC011 MC012 ...	300M
	<p><b>ACMC703</b></p> <p>RUBBER JOINT DICHTUNG GASKET</p> <p>H = 3mm</p>	MC010 MC011 MC012 ...	300M

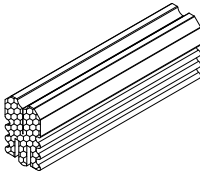

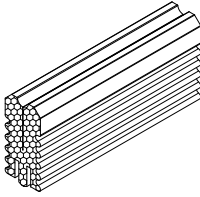

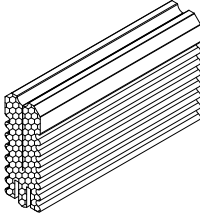

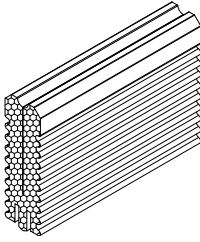


# MC-WALL


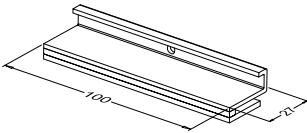
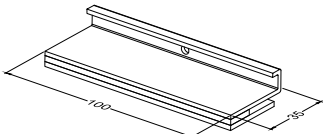
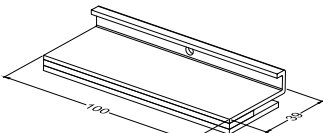
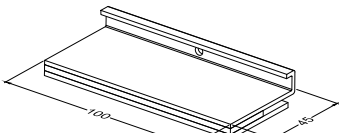
AFBEELDING IMAGE BILD PICTURE	OMSCHRIJVING DESCRIPTION BESCHREIBUNG DESCRIPTION	TOEPASSING APLPLICATION ANWENDUNG APPLICATION	VERP.PER EMB.PAR PACK PR. PACK PR.
	<p><b>ACMC704</b></p> <p>RUBBER JOINT DICHTUNG GASKET</p> <p>H = 4mm</p>	<p>MC010 MC011 MC012 ...</p>	<p>200M</p>
	<p><b>ACMC705</b></p> <p>RUBBER JOINT DICHTUNG GASKET</p> <p>H = 5mm</p>	<p>MC010 MC011 MC012 ...</p>	<p>150M</p>
	<p><b>ACMC706</b></p> <p>RUBBER JOINT DICHTUNG GASKET</p> <p>H = 6mm</p>	<p>MC010 MC011 MC012 ...</p>	<p>150M</p>
	<p><b>ACMC712</b></p> <p>RUBBER JOINT DICHTUNG GASKET</p> <p>H = 12mm</p>	<p>MC010 MC011 MC012 ...</p>	<p>100M</p>
	<p><b>ACMC713</b></p> <p>RUBBER JOINT DICHTUNG GASKET</p> <p>H = 13mm</p>	<p>MC010 MC011 MC012 ...</p>	<p>100M</p>



AFBEELDING IMAGE BILD PICTURE	OMSCHRIJVING DESCRIPTION BESCHREIBUNG DESCRIPTION	TOEPASSING APPLICATION ANWENDUNG APPLICATION	VERP.PER EMB.PAR PACK PR. PACK PR.
	<p><b>ACMC714</b></p> <p>RUBBER JOINT DICHTUNG GASKET</p> <p>H = 14mm</p>	<p>MC010 MC011 MC012 ...</p>	100M
	<p><b>ACMC715</b></p> <p>RUBBER JOINT DICHTUNG GASKET</p> <p>H = 15mm</p>	<p>MC010 MC011 MC012 ...</p>	100M
	<p><b>ACMC716</b></p> <p>RUBBER JOINT DICHTUNG GASKET</p> <p>H = 16mm</p>	<p>MC010 MC011 MC012 ...</p>	75M
	<p><b>ACMC720</b></p> <p>RUBBER JOINT DICHTUNG GASKET</p> <p>H = 6.8mm</p>	<p>MC005</p>	200M
	<p><b>ACMC730</b></p> <p>RUBBER JOINT DICHTUNG GASKET</p>	<p>MC200 MC212</p>	300M

# MC-WALL

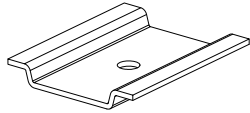
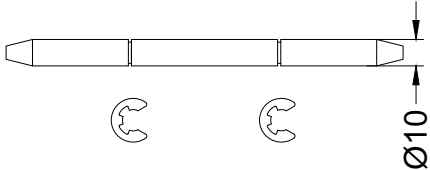
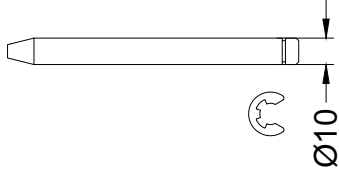
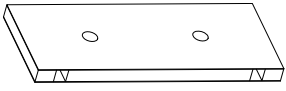
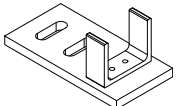
AFBEELDING IMAGE BILD PICTURE	OMSCHRIJVING DESCRIPTION BESCHREIBUNG DESCRIPTION	TOEPASSING APLPLICATION ANWENDUNG APPLICATION	VERP.PER EMB.PAR PACK PR. PACK PR.
	<p><b>ACMC729</b></p> <p>ISOLATOR ISOLATEUR ISOLATOR INSULATOR</p> <p>XPE</p> <p>24 - 34MM</p>	<p>MC010 MC011 MC012 ...</p> <p> 119</p>	2M
	<p><b>ACMC731</b></p> <p>ISOLATOR ISOLATEUR ISOLATOR INSULATOR</p> <p>XPE</p> <p>35 - 44MM</p>	<p>MC010 MC011 MC012 ...</p> <p> 119</p>	2M
	<p><b>ACMC733</b></p> <p>ISOLATOR ISOLATEUR ISOLATOR INSULATOR</p> <p>XPE</p> <p>45 - 54MM</p>	<p>MC010 MC011 MC012 ...</p> <p> 119</p>	2M
	<p><b>ACMC735</b></p> <p>ISOLATOR ISOLATEUR ISOLATOR INSULATOR</p> <p>XPE</p> <p>55 - 59MM</p>	<p>MC010 MC011 MC012 ...</p> <p> 119</p>	2M
	<p><b>ACMC761</b></p> <p>RUBBER JOINT DICHTUNG GASKET</p> <p>H = 14mm</p>	<p>MC705 MC710 MC730</p>	75M

AFBEELDING IMAGE BILD PICTURE	OMSCHRIJVING DESCRIPTION BESCHREIBUNG DESCRIPTION	TOEPASSING APPLICATION ANWENDUNG APPLICATION	VERP.PER EMB.PAR PACK PR. PACK PR.
	<p><b>ACMC762</b></p> <p>RUBBER JOINT DICHTUNG GASKET</p> <p>H = 16mm</p>	<p>MC705 MC710 MC730</p>	<p>75M</p>
	<p><b>ACMC779</b></p> <p>GLASSTEUN CALE DE VITRAGE KLOTZ-AUFLAGE GLAZING SUPPORT</p> <p>INOX</p> <p><b>NOT CURRENTLY AVAILABLE IN THE UK</b></p>	<p>MC531 MC532</p>	<p>1</p>
	<p><b>ACMC780</b></p> <p>GLASSTEUN CALE DE VITRAGE KLOTZ-AUFLAGE GLAZING SUPPORT</p> <p>INOX</p> <p><b>NOT CURRENTLY AVAILABLE IN THE UK</b></p>	<p>MC531 MC532</p>	<p>1</p>
	<p><b>ACMC781</b></p> <p>GLASSTEUN CALE DE VITRAGE KLOTZ-AUFLAGE GLAZING SUPPORT</p> <p>INOX</p> <p><b>NOT CURRENTLY AVAILABLE IN THE UK</b></p>	<p>MC531 MC532</p>	<p>10</p>
	<p><b>ACMC782</b></p> <p>GLASSTEUN CALE DE VITRAGE KLOTZ-AUFLAGE GLAZING SUPPORT</p> <p>INOX</p> <p><b>NOT CURRENTLY AVAILABLE IN THE UK</b></p>	<p>MC531 MC532</p>	<p>10</p>

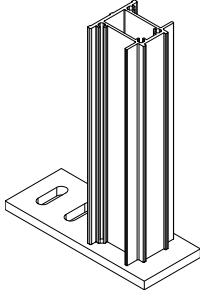
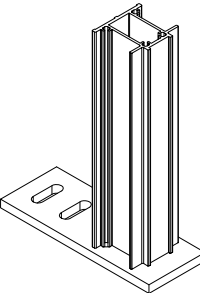
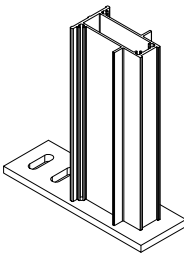
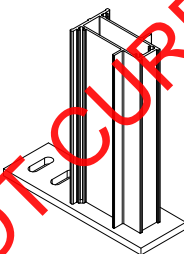
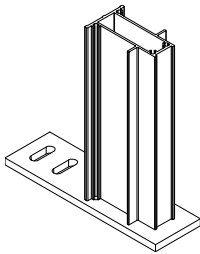
# MC-WALL

AFBEELDING IMAGE BILD PICTURE	OMSCHRIJVING DESCRIPTION BESCHREIBUNG DESCRIPTION	TOEPASSING APLPLICATION ANWENDUNG APPLICATION	VERP.PER EMB.PAR PACK PR. PACK PR.
	<p><b>ACMC783</b></p> <p>GLASSTEUN CALE DE VITRAGE KLOTZ-AUFLAGE GLAZING SUPPORT</p> <p>INOX</p> <p>49MM</p>	<p>MC531 MC532</p>	<p>10</p>
	<p><b>ACMC784</b></p> <p>GLASSTEUN CALE DE VITRAGE KLOTZ-AUFLAGE GLAZING SUPPORT</p> <p>INOX</p> <p>55MM</p>	<p>MC531 MC532</p>	<p>10</p>
	<p><b>ACMC785</b></p> <p>GLASSTEUN CALE DE VITRAGE KLOTZ-AUFLAGE GLAZING SUPPORT</p> <p>INOX</p> <p>59MM</p>	<p>MC531 MC532</p>	<p>10</p>
	<p><b>ACMC786</b></p> <p>GLASSTEUN CALE DE VITRAGE KLOTZ-AUFLAGE GLAZING SUPPORT</p> <p>INOX</p> <p>65MM</p>	<p>MC531 MC532</p>	<p>10</p>
	<p><b>ACMC787</b></p> <p>GLASSTEUN CALE DE VITRAGE KLOTZ-AUFLAGE GLAZING SUPPORT</p> <p>INOX</p> <p>69MM</p>	<p>MC531 MC532</p>	<p>10</p>

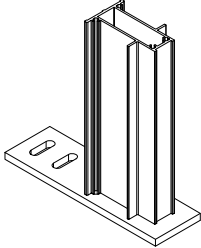
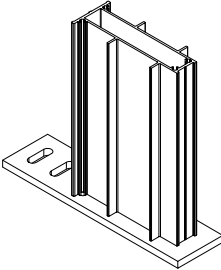
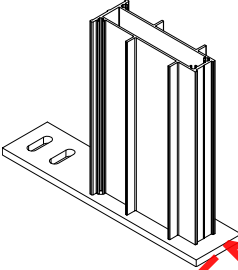
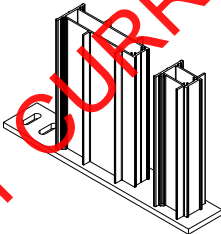
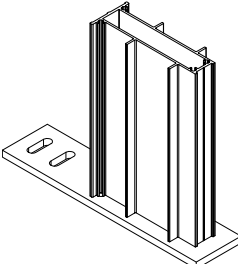
NOT CURRENTLY AVAILABLE IN THE UK

AFBEELDING IMAGE BILD PICTURE	OMSCHRIJVING DESCRIPTION BESCHREIBUNG DESCRIPTION	TOEPASSING APPLICATION ANWENDUNG APPLICATION	VERP.PER EMB.PAR PACK PR. PACK PR.
	<p><b>ACMC790</b></p> <p>AANDRUKPLAATJE GLAS PLAQUE DE SERRAGE POUR VITRAGE ANDRUCKPLATTE FÜR GLAS PACKER FOR GLASS</p> <p>INOX</p> <p><b>NOT CURRENTLY AVAILABLE IN THE UK</b></p>	MC151	10
	<p><b>ACMC795</b></p> <p>PEN VOOR REGEL TIGE POUR TRAVERSE STIFT FÜR RIEGEL PIN FOR TRANSOM</p> <p>INOX</p>	MC801	10
	<p><b>ACMC796</b></p> <p>PEN VOOR REGEL TIGE POUR TRAVERSE STIFT FÜR RIEGEL PIN FOR TRANSOM</p> <p>INOX</p>	MC801	10
	<p><b>ACMC797</b></p> <p>BIJKOMENDE VERBINDING CONNEXION COMPLEMENTAIRE KOMPLEMENTAIRE VERBINDUNG COMPLEMENTARY CONNECTION</p> <p>INOX</p> <p><b>NOT CURRENTLY AVAILABLE IN THE UK</b></p>	MC801	10
	<p><b>ACMC820</b></p> <p>MONTAGEVOET STIJLEN FIXATION MONTANTS MONTAGEFUSS PFOSTEN CONNECTION MULLIONS</p>	MC010	1

# MC-WALL

AFBEELDING IMAGE BILD PICTURE	OMSCHRIJVING DESCRIPTION BESCHREIBUNG DESCRIPTION	TOEPASSING APLPLICATION ANWENDUNG APPLICATION	VERP.PER EMB.PAR PACK PR. PACK PR.
	<p><b>ACMC821</b></p> <p>MONTAGEVOET STIJLEN FIXATION MONTANTS MONTAGEFUSS PFOSTEN CONNECTION MULLIONS</p>	MC011	1
	<p><b>ACMC822</b></p> <p>MONTAGEVOET STIJLEN FIXATION MONTANTS MONTAGEFUSS PFOSTEN CONNECTION MULLIONS</p>	MC413	1
	<p><b>ACMC823</b></p> <p>MONTAGEVOET STIJLEN FIXATION MONTANTS MONTAGEFUSS PFOSTEN CONNECTION MULLIONS</p>	MC012 MC014	1
	<p><b>ACMC824</b></p> <p>MONTAGEVOET STIJLEN FIXATION MONTANTS MONTAGEFUSS PFOSTEN CONNECTION MULLIONS</p>	MC019 MC021	1
	<p><b>ACMC825</b></p> <p>MONTAGEVOET STIJLEN FIXATION MONTANTS MONTAGEFUSS PFOSTEN CONNECTION MULLIONS</p>	MC016	1

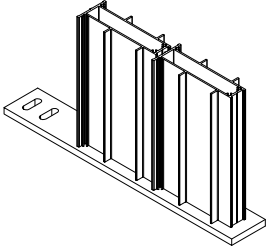
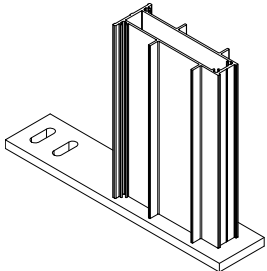
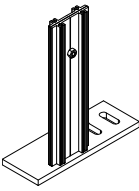
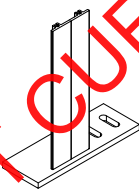
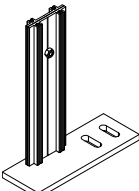
NOT CURRENTLY AVAILABLE IN THE UK

AFBEELDING IMAGE BILD PICTURE	OMSCHRIJVING DESCRIPTION BESCHREIBUNG DESCRIPTION	TOEPASSING APPLICATION ANWENDUNG APPLICATION	VERP.PER EMB.PAR PACK PR. PACK PR.
	<p><b>ACMC826</b></p> <p>MONTAGEVOET STIJLEN FIXATION MONTANTS MONTAGEFUSS PFOSTEN CONNECTION MULLIONS</p>	MC420	1
	<p><b>ACMC827</b></p> <p>MONTAGEVOET STIJLEN FIXATION MONTANTS MONTAGEFUSS PFOSTEN CONNECTION MULLIONS</p>	MC017	1
	<p><b>ACMC828</b></p> <p>MONTAGEVOET STIJLEN FIXATION MONTANTS MONTAGEFUSS PFOSTEN CONNECTION MULLIONS</p>	MC018	1
	<p><b>ACMC829</b></p> <p>MONTAGEVOET STIJLEN FIXATION MONTANTS MONTAGEFUSS PFOSTEN CONNECTION MULLIONS</p>	MC015	1
	<p><b>ACMC830</b></p> <p>MONTAGEVOET STIJLEN FIXATION MONTANTS MONTAGEFUSS PFOSTEN CONNECTION MULLIONS</p>	MC024	1

NOT CURRENTLY AVAILABLE IN THE UK

TOEBEHOREN - ACCESSOIRES - ZUBEHÖRTEILE - ACCESSORIES

# MC-WALL

AFBEELDING IMAGE BILD PICTURE	OMSCHRIJVING DESCRIPTION BESCHREIBUNG DESCRIPTION	TOEPASSING APLPLICATION ANWENDUNG APPLICATION	VERP.PER EMB.PAR PACK PR. PACK PR.
	<p><b>ACMC831</b></p> <p>MONTAGEVOET STIJLEN FIXATION MONTANTS MONTAGEFUSS PFOSTEN CONNECTION MULLIONS</p>	MC415	1
	<p><b>ACMC832</b></p> <p>MONTAGEVOET STIJLEN FIXATION MONTANTS MONTAGEFUSS PFOSTEN CONNECTION MULLIONS</p>	MC416	1
	<p><b>ACMC833L</b></p> <p>MONTAGEVOET STIJLEN FIXATION MONTANTS MONTAGEFUSS PFOSTEN CONNECTION MULLIONS</p>	MC212	1
	<p><b>ACMC833LS</b></p> <p>MONTAGEVOET STIJLEN BEWEEGBAAR FIXATION MONTANTS PAS FIXE MONTAGEFUSS PFOSTEN VERSCHIEBBAR CONNECTION MULLIONS MOVABLE</p>	MC212	1
	<p><b>ACMC833R</b></p> <p>MONTAGEVOET STIJLEN FIXATION MONTANTS MONTAGEFUSS PFOSTEN CONNECTION MULLIONS</p>	MC212	1

NOT CURRENTLY AVAILABLE IN THE UK

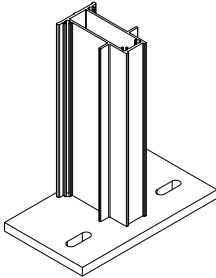
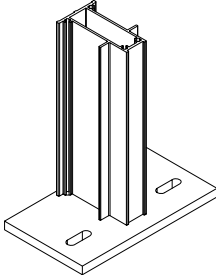
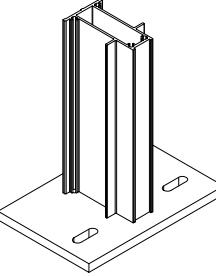
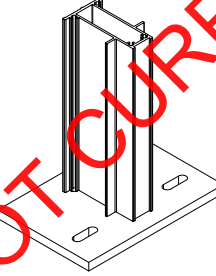
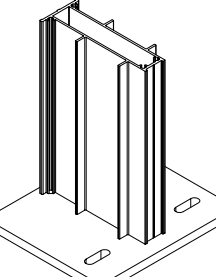


AFBEELDING IMAGE BILD PICTURE	OMSCHRIJVING DESCRIPTION BESCHREIBUNG DESCRIPTION	TOEPASSING APPLICATION ANWENDUNG APPLICATION	VERP.PER EMB.PAR PACK PR. PACK PR.
	<p><b>ACMC833RS</b></p> <p>MONTAGEVOET STIJLEN BEWEEGBAAR FIXATION MONTANTS PAS FIXE MONTAGEFUSS PFOSTEN VERSCHIEBBAR CONNECTION MULLIONS MOVABLE</p>	MC212	1
	<p><b>ACMC836</b></p> <p>MONTAGEVOET STIJLEN FIXATION MONTANTS MONTAGEFUSS PFOSTEN CONNECTION MULLIONS</p>	MC417	1
	<p><b>ACMC840</b></p> <p>MONTAGEVOET STIJLEN FIXATION MONTANTS MONTAGEFUSS PFOSTEN CONNECTION MULLIONS</p>	MC010	1
	<p><b>ACMC841</b></p> <p>MONTAGEVOET STIJLEN FIXATION MONTANTS MONTAGEFUSS PFOSTEN CONNECTION MULLIONS</p>	MC011	1
	<p><b>ACMC842</b></p> <p>MONTAGEVOET STIJLEN FIXATION MONTANTS MONTAGEFUSS PFOSTEN CONNECTION MULLIONS</p>	MC413	1

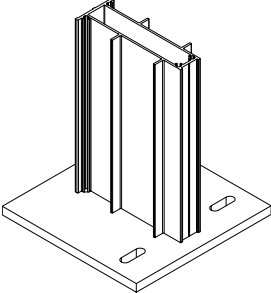
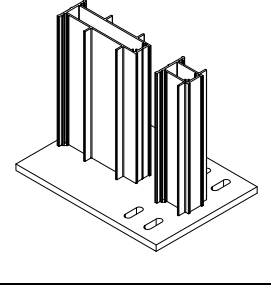
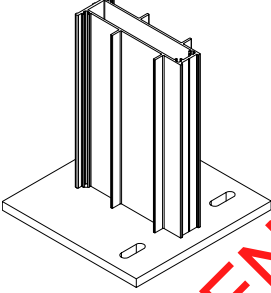
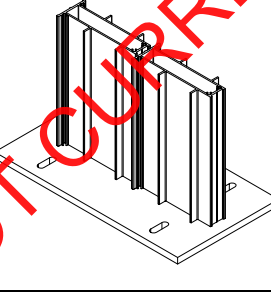
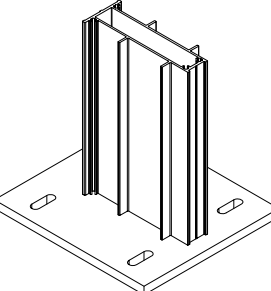
NOT CURRENTLY AVAILABLE IN THE UK

TOEBEHOREN - ACCESSOIRES - ZUBEHÖRTEILE - ACCESSORIES

# MC-WALL

AFBEELDING IMAGE BILD PICTURE	OMSCHRIJVING DESCRIPTION BESCHREIBUNG DESCRIPTION	TOEPASSING APLPLICATION ANWENDUNG APPLICATION	VERP.PER EMB.PAR PACK PR. PACK PR.
	<p><b>ACMC843</b></p> <p>MONTAGEVOET STIJLEN FIXATION MONTANTS MONTAGEFUSS PFOSTEN CONNECTION MULLIONS</p>	<p>MC012 MC014</p>	<p>1</p>
	<p><b>ACMC844</b></p> <p>MONTAGEVOET STIJLEN FIXATION MONTANTS MONTAGEFUSS PFOSTEN CONNECTION MULLIONS</p>	<p>MC019 MC021</p>	<p>1</p>
	<p><b>ACMC845</b></p> <p>MONTAGEVOET STIJLEN FIXATION MONTANTS MONTAGEFUSS PFOSTEN CONNECTION MULLIONS</p>	<p>MC016</p>	<p>1</p>
	<p><b>ACMC846</b></p> <p>MONTAGEVOET STIJLEN FIXATION MONTANTS MONTAGEFUSS PFOSTEN CONNECTION MULLIONS</p>	<p>MC420</p>	<p>1</p>
	<p><b>ACMC847</b></p> <p>MONTAGEVOET STIJLEN FIXATION MONTANTS MONTAGEFUSS PFOSTEN CONNECTION MULLIONS</p>	<p>MC017</p>	<p>1</p>

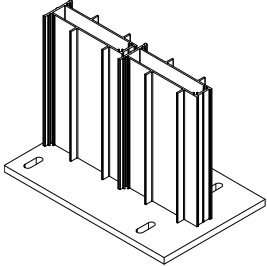

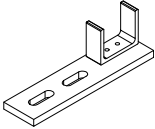

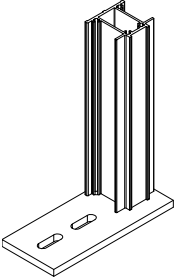

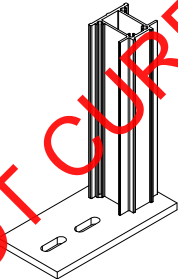

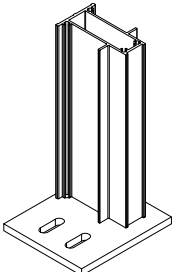

NOT CURRENTLY AVAILABLE IN THE UK

AFBEELDING IMAGE BILD PICTURE	OMSCHRIJVING DESCRIPTION BESCHREIBUNG DESCRIPTION	TOEPASSING APPLICATION ANWENDUNG APPLICATION	VERP.PER EMB.PAR PACK PR. PACK PR.
	<p><b>ACMC848</b></p> <p>MONTAGEVOET STIJLEN FIXATION MONTANTS MONTAGEFUSS PFOSTEN CONNECTION MULLIONS</p>	MC018	1
	<p><b>ACMC849</b></p> <p>MONTAGEVOET STIJLEN FIXATION MONTANTS MONTAGEFUSS PFOSTEN CONNECTION MULLIONS</p>	MC015	1
	<p><b>ACMC850</b></p> <p>MONTAGEVOET STIJLEN FIXATION MONTANTS MONTAGEFUSS PFOSTEN CONNECTION MULLIONS</p>	MC024	1
	<p><b>ACMC851</b></p> <p>MONTAGEVOET STIJLEN FIXATION MONTANTS MONTAGEFUSS PFOSTEN CONNECTION MULLIONS</p>	MC415	1
	<p><b>ACMC852</b></p> <p>MONTAGEVOET STIJLEN FIXATION MONTANTS MONTAGEFUSS PFOSTEN CONNECTION MULLIONS</p>	MC416	1

NOT CURRENTLY AVAILABLE IN THE UK

TOEBEHOREN - ACCESSOIRES - ZUBEHÖRTEILE - ACCESSORIES

# MC-WALL

AFBEELDING IMAGE BILD PICTURE	OMSCHRIJVING DESCRIPTION BESCHREIBUNG DESCRIPTION	TOEPASSING APLPLICATION ANWENDUNG APPLICATION	VERP.PER EMB.PAR PACK PR. PACK PR.	
	<p><b>ACMC856</b></p> <p>MONTAGEVOET STIJLEN FIXATION MONTANTS MONTAGEFUSS PFOSTEN CONNECTION MULLIONS</p>	MC417	1	
 120	<p><b>ACMC860</b></p> <p>MONTAGEVOET STIJLEN FIXATION MONTANTS MONTAGEFUSS PFOSTEN CONNECTION MULLIONS</p>	MC010	1	
	 120	<p><b>ACMC861</b></p> <p>MONTAGEVOET STIJLEN FIXATION MONTANTS MONTAGEFUSS PFOSTEN CONNECTION MULLIONS</p>	MC011	1
	 120	<p><b>ACMC862</b></p> <p>MONTAGEVOET STIJLEN FIXATION MONTANTS MONTAGEFUSS PFOSTEN CONNECTION MULLIONS</p>	MC413	1
	 120	<p><b>ACMC863</b></p> <p>MONTAGEVOET STIJLEN FIXATION MONTANTS MONTAGEFUSS PFOSTEN CONNECTION MULLIONS</p>	MC012 MC014	1
	 120			

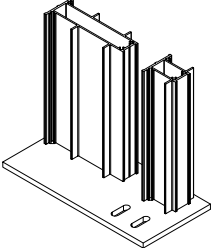
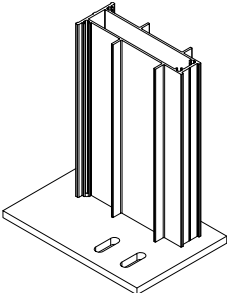
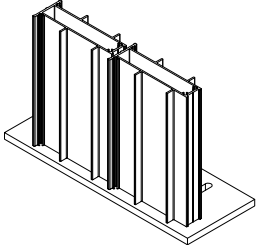
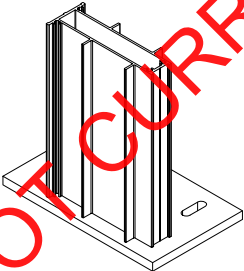
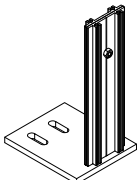
NOT CURRENTLY AVAILABLE IN THE UK

AFBEELDING IMAGE BILD PICTURE	OMSCHRIJVING DESCRIPTION BESCHREIBUNG DESCRIPTION	TOEPASSING APLPLICATION ANWENDUNG APPLICATION	VERP.PER EMB.PAR PACK PR. PACK PR.
	<p><b>ACMC864</b></p> <p>MONTAGEVOET STIJLEN FIXATION MONTANTS MONTAGEFUSS PFOSTEN CONNECTION MULLIONS</p>	<p>MC019 MC021</p>	<p>1</p>
	<p><b>ACMC865</b></p> <p>MONTAGEVOET STIJLEN FIXATION MONTANTS MONTAGEFUSS PFOSTEN CONNECTION MULLIONS</p>	<p>MC016</p>	<p>1</p>
	<p><b>ACMC866</b></p> <p>MONTAGEVOET STIJLEN FIXATION MONTANTS MONTAGEFUSS PFOSTEN CONNECTION MULLIONS</p>	<p>MC420</p>	<p>1</p>
	<p><b>ACMC867</b></p> <p>MONTAGEVOET STIJLEN FIXATION MONTANTS MONTAGEFUSS PFOSTEN CONNECTION MULLIONS</p>	<p>MC017</p>	<p>1</p>
	<p><b>ACMC868</b></p> <p>MONTAGEVOET STIJLEN FIXATION MONTANTS MONTAGEFUSS PFOSTEN CONNECTION MULLIONS</p>	<p>MC018</p>	<p>1</p>

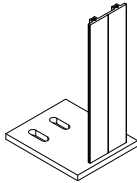
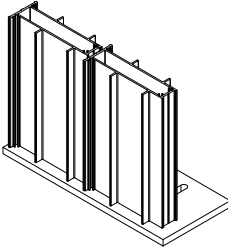
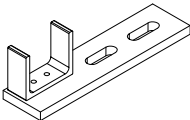
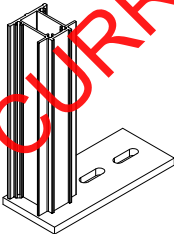
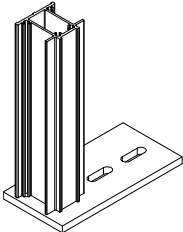
NOT CURRENTLY AVAILABLE IN THE UK

TOEBEHOREN - ACCESSOIRES - ZUBEHÖRTEILE - ACCESSORIES

# MC-WALL

AFBEELDING IMAGE BILD PICTURE	OMSCHRIJVING DESCRIPTION BESCHREIBUNG DESCRIPTION	TOEPASSING APPLICATION ANWENDUNG APPLICATION	VERP.PER EMB.PAR PACK PR. PACK PR.
	<p><b>ACMC869</b></p> <p>MONTAGEVOET STIJLEN FIXATION MONTANTS MONTAGEFUSS PFOSTEN CONNECTION MULLIONS</p>	MC015	1
	<p><b>ACMC870</b></p> <p>MONTAGEVOET STIJLEN FIXATION MONTANTS MONTAGEFUSS PFOSTEN CONNECTION MULLIONS</p>	MC024	1
	<p><b>ACMC871</b></p> <p>MONTAGEVOET STIJLEN FIXATION MONTANTS MONTAGEFUSS PFOSTEN CONNECTION MULLIONS</p>	MC415	1
	<p><b>ACMC872</b></p> <p>MONTAGEVOET STIJLEN FIXATION MONTANTS MONTAGEFUSS PFOSTEN CONNECTION MULLIONS</p>	MC416	1
	<p><b>ACMC873</b></p> <p>MONTAGEVOET STIJLEN FIXATION MONTANTS MONTAGEFUSS PFOSTEN CONNECTION MULLIONS</p>	MC212	1

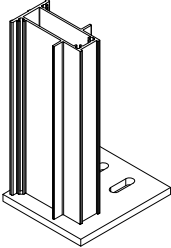
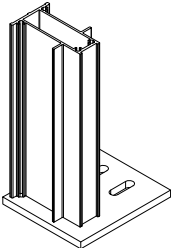
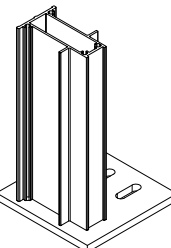
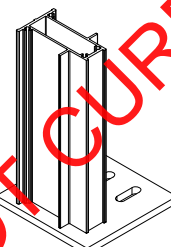
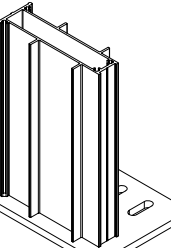
NOT CURRENTLY AVAILABLE IN THE UK

AFBEELDING IMAGE BILD PICTURE	OMSCHRIJVING DESCRIPTION BESCHREIBUNG DESCRIPTION	TOEPASSING APPLICATION ANWENDUNG APPLICATION	VERP.PER EMB.PAR PACK PR. PACK PR.
	<p><b>ACMC873S</b></p> <p>MONTAGEVOET STIJLEN BEWEEGBAAR FIXATION MONTANTS PAS FIXE MONTAGEFUSS PFOSTEN VERSCHIEBBAR CONNECTION MULLIONS MOVABLE</p>	MC212	1
	<p><b>ACMC876</b></p> <p>MONTAGEVOET STIJLEN FIXATION MONTANTS MONTAGEFUSS PFOSTEN CONNECTION MULLIONS</p>	MC417	1
	<p><b>ACMC880</b></p> <p>MONTAGEVOET STIJLEN FIXATION MONTANTS MONTAGEFUSS PFOSTEN CONNECTION MULLIONS</p>	MC010	1
	<p><b>ACMC881</b></p> <p>MONTAGEVOET STIJLEN FIXATION MONTANTS MONTAGEFUSS PFOSTEN CONNECTION MULLIONS</p>	MC011	1
	<p><b>ACMC882</b></p> <p>MONTAGEVOET STIJLEN FIXATION MONTANTS MONTAGEFUSS PFOSTEN CONNECTION MULLIONS</p>	MC413	1

NOT CURRENTLY AVAILABLE IN THE UK

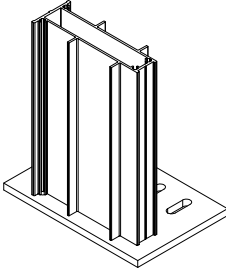
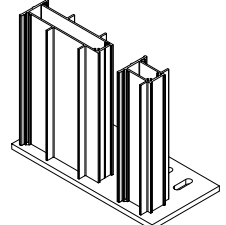
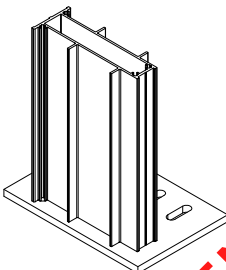
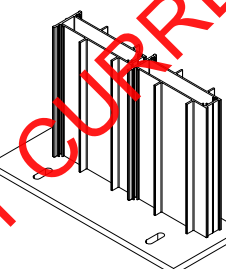
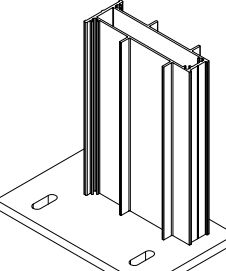
TOEBEHOREN - ACCESSOIRES - ZUBEHÖRTEILE - ACCESSORIES

# MC-WALL

AFBEELDING IMAGE BILD PICTURE	OMSCHRIJVING DESCRIPTION BESCHREIBUNG DESCRIPTION	TOEPASSING APLPLICATION ANWENDUNG APPLICATION	VERP.PER EMB.PAR PACK PR. PACK PR.
	<p><b>ACMC883</b></p> <p>MONTAGEVOET STIJLEN FIXATION MONTANTS MONTAGEFUSS PFOSTEN CONNECTION MULLIONS</p>	<p>MC012 MC014</p>	<p>1</p>
	<p><b>ACMC884</b></p> <p>MONTAGEVOET STIJLEN FIXATION MONTANTS MONTAGEFUSS PFOSTEN CONNECTION MULLIONS</p>	<p>MC019 MC021</p>	<p>1</p>
	<p><b>ACMC885</b></p> <p>MONTAGEVOET STIJLEN FIXATION MONTANTS MONTAGEFUSS PFOSTEN CONNECTION MULLIONS</p>	<p>MC016</p>	<p>1</p>
	<p><b>ACMC886</b></p> <p>MONTAGEVOET STIJLEN FIXATION MONTANTS MONTAGEFUSS PFOSTEN CONNECTION MULLIONS</p>	<p>MC420</p>	<p>1</p>
	<p><b>ACMC887</b></p> <p>MONTAGEVOET STIJLEN FIXATION MONTANTS MONTAGEFUSS PFOSTEN CONNECTION MULLIONS</p>	<p>MC017</p>	<p>1</p>

NOT CURRENTLY AVAILABLE IN THE UK

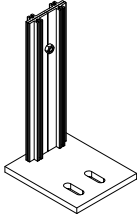
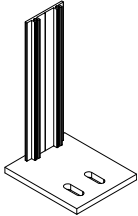
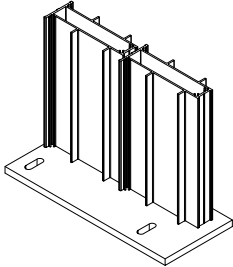
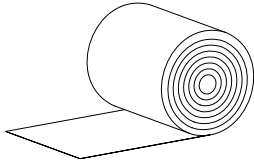
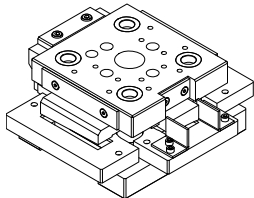


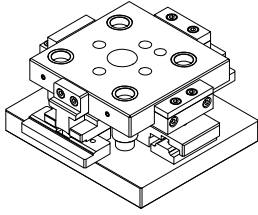
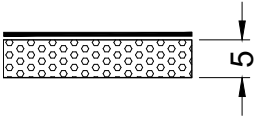
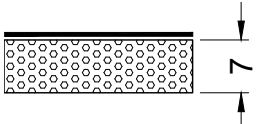
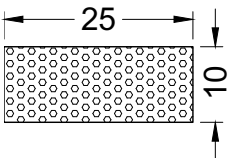
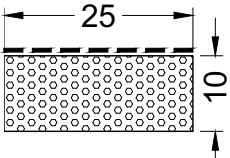
AFBEELDING IMAGE BILD PICTURE	OMSCHRIJVING DESCRIPTION BESCHREIBUNG DESCRIPTION	TOEPASSING APPLICATION ANWENDUNG APPLICATION	VERP.PER EMB.PAR PACK PR. PACK PR.
	<p><b>ACMC888</b></p> <p>MONTAGEVOET STIJLEN FIXATION MONTANTS MONTAGEFUSS PFOSTEN CONNECTION MULLIONS</p>	MC018	1
	<p><b>ACMC889</b></p> <p>MONTAGEVOET STIJLEN FIXATION MONTANTS MONTAGEFUSS PFOSTEN CONNECTION MULLIONS</p>	MC015	1
	<p><b>ACMC890</b></p> <p>MONTAGEVOET STIJLEN FIXATION MONTANTS MONTAGEFUSS PFOSTEN CONNECTION MULLIONS</p>	MC024	1
	<p><b>ACMC891</b></p> <p>MONTAGEVOET STIJLEN FIXATION MONTANTS MONTAGEFUSS PFOSTEN CONNECTION MULLIONS</p>	MC415	1
	<p><b>ACMC892</b></p> <p>MONTAGEVOET STIJLEN FIXATION MONTANTS MONTAGEFUSS PFOSTEN CONNECTION MULLIONS</p>	MC416	1

NOT CURRENTLY AVAILABLE IN THE UK

TOEBEHOREN - ACCESSOIRES - ZUBEHÖRTEILE - ACCESSORIES

# MC-WALL

AFBEELDING IMAGE BILD PICTURE	OMSCHRIJVING DESCRIPTION BESCHREIBUNG DESCRIPTION	TOEPASSING APPLICATION ANWENDUNG APPLICATION	VERP.PER EMB.PAR PACK PR. PACK PR.					
	<p><b>ACMC893</b></p> <p>MONTAGEVOET STIJLEN FIXATION MONTANTS MONTAGEFUSS PFOSTEN CONNECTION MULLIONS</p>	MC212	1					
<p><b>NOT CURRENTLY AVAILABLE IN THE UK</b></p>		<p><b>ACMC893S</b></p>	MC212	1				
<p>MONTAGEVOET STIJLEN BEWEEGBAAR FIXATION MONTANTS PAS FIXE MONTAGEFUSS PFOSTEN VERSCHIEBBAR CONNECTION MULLIONS MOVABLE</p>	<p><b>NOT CURRENTLY AVAILABLE IN THE UK</b></p>		<p><b>ACMC896</b></p>	MC417	1			
<p>MONTAGEVOET STIJLEN FIXATION MONTANTS MONTAGEFUSS PFOSTEN CONNECTION MULLIONS</p>	<p><b>NOT CURRENTLY AVAILABLE IN THE UK</b></p>	<p>👉 120</p>		<p><b>ACMC1XXX</b></p>	20M			
<p>EPDM</p>	<p>👉 120</p>		<p><b>ACMC1014</b></p>	MC530	1			
<p>PNEUMATISCHE MATRIJS POINCONNEUSE PNEUMATIQUE STANZWERKZEUG PNEUMATISCH PUNCH TOOL</p>	MC531	MC532	MC533	MC534	MC535	MC536	MC537	...


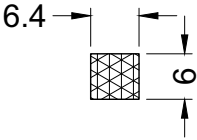
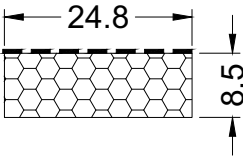
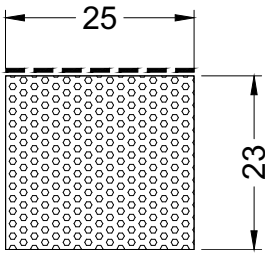
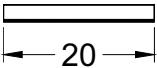
AFBEELDING IMAGE BILD PICTURE	OMSCHRIJVING DESCRIPTION BESCHREIBUNG DESCRIPTION	TOEPASSING APPLICATION ANWENDUNG APPLICATION	VERP.PER EMB.PAR PACK PR. PACK PR.
	<p><b>ACMC1015</b></p> <p>PNEUMATISCHE MATRIJS POINCONNEUSE PNEUMATIQUE STANZWERKZEUG PNEUMATISCH PUNCH TOOL</p>	<p>DK052N DK053 DK054 ...</p>	<p>1</p>
	<p><b>ACMC0525S</b></p> <p>ZELFKLEVENDE OPVULLING REMBOURRAGE AUTOCOLLANT SELBSTKLEBEND FULLUNG SELF ADHESIVE FILLING</p> <p>5 X 25</p>	<p>MC GLASS</p>	<p>2M</p>
	<p><b>ACMC0725S</b></p> <p>ZELFKLEVENDE OPVULLING REMBOURRAGE AUTOCOLLANT SELBSTKLEBEND FULLUNG SELF ADHESIVE FILLING</p> <p>7 X 25</p>	<p>MC GLASS</p>	<p>2M</p>
	<p><b>ACMC1025</b></p> <p>OPVULLING REMBOURRAGE FULLUNG FILLING</p> <p>10 X 25</p>	<p>MC GLASS</p>	<p>2X2M</p>
	<p><b>ACMC1025S</b></p> <p>ZELFKLEVENDE OPVULLING REMBOURRAGE AUTOCOLLANT SELBSTKLEBEND FULLUNG SELF ADHESIVE FILLING</p> <p>10 X 25</p>	<p>MC GLASS</p>	<p>2X2M</p>

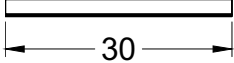
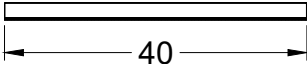
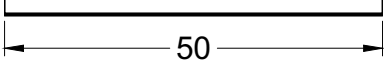
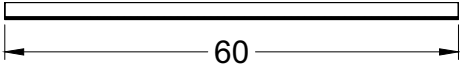
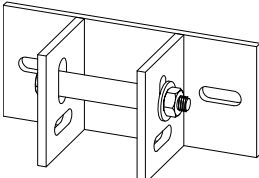
# MC-WALL

AFBEELDING IMAGE BILD PICTURE	OMSCHRIJVING DESCRIPTION BESCHREIBUNG DESCRIPTION	TOEPASSING APLPLICATION ANWENDUNG APPLICATION	VERP.PER EMB.PAR PACK PR. PACK PR.
	<p><b>ACMC1030</b></p> <p>OPVULLING REMOURRAGE FULLUNG FILLING</p> <p>10 X 30</p>	MC GLASS	2M
	<p><b>ACMC1030S</b></p> <p>ZELFKLEVENDE OPVULLING REMOURRAGE AUTOCOLLANT SELBSTKLEBEND FULLUNG SELF ADHESIVE FILLING</p> <p>10 X 30</p>	MC GLASS	2M
	<p><b>ACMC1035</b></p> <p>OPVULLING REMOURRAGE FULLUNG FILLING</p> <p>10 X 35</p>	MC GLASS	2M
	<p><b>ACMC1035S</b></p> <p>ZELFKLEVENDE OPVULLING REMOURRAGE AUTOCOLLANT SELBSTKLEBEND FULLUNG SELF ADHESIVE FILLING</p> <p>10 X 35</p>	MC GLASS	2M
	<p><b>ACMC1525</b></p> <p>OPVULLING REMOURRAGE FULLUNG FILLING</p> <p>15 X 25</p>	MC GLASS	2M

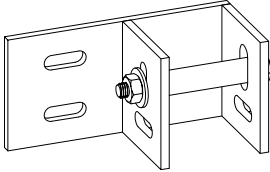
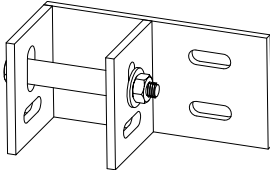
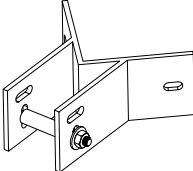
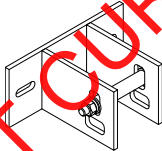
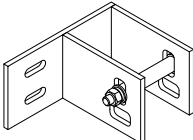
AFBEELDING IMAGE BILD PICTURE	OMSCHRIJVING DESCRIPTION BESCHREIBUNG DESCRIPTION	TOEPASSING APPLICATION ANWENDUNG APPLICATION	VERP.PER EMB.PAR PACK PR. PACK PR.
	<p><b>ACMC1525S</b></p> <p>ZELFKLEVENDE OPVULLING REMOUVRAGE AUTOCOLLANT SELBSTKLEBEND FÜLLUNG SELF ADHESIVE FILLING</p> <p>15 X 25</p>	MC GLASS	2M
	<p><b>ACMC1530</b></p> <p>OPVULLING REMOUVRAGE FÜLLUNG FILLING</p> <p>15 X 30</p>	MC GLASS	2X2M
	<p><b>ACMC1530S</b></p> <p>ZELFKLEVENDE OPVULLING REMOUVRAGE AUTOCOLLANT SELBSTKLEBEND FÜLLUNG SELF ADHESIVE FILLING</p> <p>15 X 30</p>	MC GLASS	2M
	<p><b>ACMC1535</b></p> <p>OPVULLING REMOUVRAGE FÜLLUNG FILLING</p> <p>15 X 35</p>	MC GLASS	2X2M
	<p><b>ACMC1535S</b></p> <p>ZELFKLEVENDE OPVULLING REMOUVRAGE AUTOCOLLANT SELBSTKLEBEND FÜLLUNG SELF ADHESIVE FILLING</p> <p>15 X 35</p>	MC GLASS	2M

# MC-WALL

AFBEELDING IMAGE BILD PICTURE	OMSCHRIJVING DESCRIPTION BESCHREIBUNG DESCRIPTION	TOEPASSING APLPLICATION ANWENDUNG APPLICATION	VERP.PER EMB.PAR PACK PR. PACK PR.
	<p><b>ACMC1545E</b></p> <p>RUBBER JOINT DICHTUNG GASKET</p> <p>H = 5.3mm</p> <p>15° - 45°</p>	<p>MC720 MC740</p>	<p>100M</p>
	<p><b>ACMC1564</b></p> <p>NORTHON TAPE NORTHON TAPE NORTHON TAPE NORTHON TAPE</p> <p>6 X 6.4</p>	<p>MC GLASS</p>	<p>15M</p>
	<p><b>ACMC1590S</b></p> <p>ZELFKLEVENDE OPVULLING REMBOURRAGE AUTOCOLLANT SELBSTKLEBEND FULLUNG SELF ADHESIVE FILLING</p> <p>8.5 X 24.8</p>	<p>MC160</p>	<p>2M</p>
	<p><b>ACMC2525S</b></p> <p>ZELFKLEVENDE OPVULLING REMBOURRAGE AUTOCOLLANT SELBSTKLEBEND FULLUNG SELF ADHESIVE FILLING</p> <p>23 X 25</p>	<p>MC GLASS</p>	<p>2M</p>
	<p><b>ACMC2020</b></p> <p>OPSCHUIMENDE TAPE TAPE INTUMESCENTE INTUMESZIERENDE TAPE INTUMESCENT TAPE</p> <p>20MM</p>	<p>MC FIRE</p>	<p>1M</p>

AFBEELDING IMAGE BILD PICTURE	OMSCHRIJVING DESCRIPTION BESCHREIBUNG DESCRIPTION	TOEPASSING APPLICATION ANWENDUNG APPLICATION	VERP.PER EMB.PAR PACK PR. PACK PR.
	<p><b>ACMC2030</b></p> <p>OPSCHUIMENDE TAPE TAPE INTUMESCENTE INTUMIESZIERENDE TAPE INTUMESCENT TAPE</p> <p>30MM</p>	MC FIRE	1M
	<p><b>ACMC2040</b></p> <p>OPSCHUIMENDE TAPE TAPE INTUMESCENTE INTUMIESZIERENDE TAPE INTUMESCENT TAPE</p> <p>40MM</p>	MC FIRE	1M
	<p><b>ACMC2050</b></p> <p>OPSCHUIMENDE TAPE TAPE INTUMESCENTE INTUMIESZIERENDE TAPE INTUMESCENT TAPE</p> <p>50MM</p>	MC FIRE	1M
	<p><b>ACMC2060</b></p> <p>OPSCHUIMENDE TAPE TAPE INTUMESCENTE INTUMIESZIERENDE TAPE INTUMESCENT TAPE</p> <p>60MM</p>	MC FIRE	1M
	<p><b>ACMC2530</b></p> <p>BEVESTIGING STIJL FIXATION MONTANT BEFESTIGUNG PFOSTEN CONNECTION MULLION</p> <p><b>NOT CURRENTLY AVAILABLE IN THE UK</b></p>	MC010 MC011 MC012 ...	1

# MC-WALL

AFBEELDING IMAGE BILD PICTURE	OMSCHRIJVING DESCRIPTION BESCHREIBUNG DESCRIPTION	TOEPASSING APLPLICATION ANWENDUNG APPLICATION	VERP.PER EMB.PAR PACK PR. PACK PR.
	<p><b>ACMC2531L</b></p> <p>BEVESTIGING STIJL LINKS FIXATION MONTANT GAUCHE BEFESTIGUNG PFOSTEN LINKS CONNECTION MULLION LEFT</p>	<p>MC010 MC011 MC012 ...</p>	<p>1</p>
	<p><b>ACMC2531R</b></p> <p>BEVESTIGING STIJL RECHTS FIXATION MONTANT DROITE BEFESTIGUNG PFOSTEN RECHTS CONNECTION MULLION RIGHT</p>	<p>MC010 MC011 MC012 ...</p>	<p>1</p>
	<p><b>ACMC2532T</b></p> <p>BEVESTIGING STIJL HOEK FIXATION MONTANT CORNIERE BEFESTIGUNG PFOSTEN ECKE CONNECTION MULLION CORNER</p>	<p>MC010 MC011 MC012 ...</p>	<p>1</p>
	<p><b>ACMC2533T</b></p> <p>BEVESTIGING STIJL FIXATION MONTANT BEFESTIGUNG PFOSTEN CONNECTION MULLION</p>	<p>MC010 MC011 MC012 ...</p>	<p>1</p>
	<p><b>ACMC2534L</b></p> <p>BEVESTIGING STIJL LINKS FIXATION MONTANT GAUCHE BEFESTIGUNG PFOSTEN LINKS CONNECTION MULLION LEFT</p>	<p>MC010 MC011 MC012 ...</p>	<p>1</p>

NOT CURRENTLY AVAILABLE IN THE UK



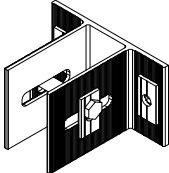
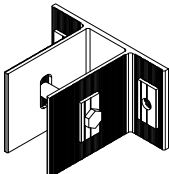
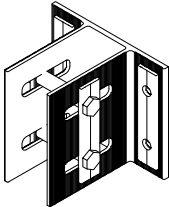


AFBEELDING IMAGE BILD PICTURE	OMSCHRIJVING DESCRIPTION BESCHREIBUNG DESCRIPTION	TOEPASSING APPLICATION ANWENDUNG APPLICATION	VERP.PER EMB.PAR PACK PR. PACK PR.
	<p><b>ACMC2534R</b></p> <p>BEVESTIGING STIJL RECHTS FIXATION MONTANT DROITE BEFESTIGUNG PFOSTEN RECHTS CONNECTION MULLION RIGHT</p>	<p>MC010 MC011 MC012 ...</p>	<p>1</p>
	<p><b>ACMC2535</b></p> <p>BEVESTIGING STIJL FIXATION MONTANT BEFESTIGUNG PFOSTEN CONNECTION MULLION</p>	<p>ACMC2533T ACMC2534L ACMC2534R</p>	<p>1</p>
	<p><b>ACMC2536</b></p> <p>BEVESTIGING STIJL FIXATION MONTANT BEFESTIGUNG PFOSTEN CONNECTION MULLION</p>	<p>ACMC2530 ACMC2531L ACMC2531R</p>	<p>1</p>
	<p><b>ACMC2561T</b></p> <p>BEVESTIGING STIJL FIXATION MONTANT BEFESTIGUNG PFOSTEN CONNECTION MULLION</p>	<p>MC010 MC011 MC012 ...</p>	<p>1</p>
	<p><b>ACMC2562T</b></p> <p>BEVESTIGING STIJL FIXATION MONTANT BEFESTIGUNG PFOSTEN CONNECTION MULLION</p>	<p>MC010 MC011 MC012 ...</p>	<p>1</p>






**NOT CURRENTLY  
AVAILABLE IN THE UK**

**NOT CURRENTLY  
AVAILABLE IN THE UK**

**NOT CURRENTLY  
AVAILABLE IN THE UK**



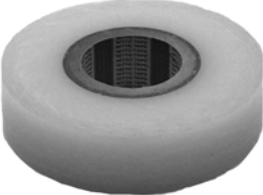
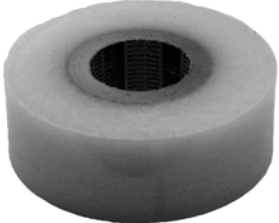
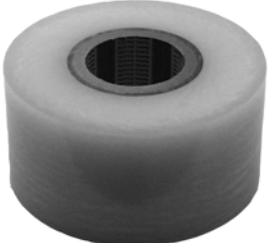
# MC-WALL

AFBEELDING IMAGE BILD PICTURE	OMSCHRIJVING DESCRIPTION BESCHREIBUNG DESCRIPTION	TOEPASSING APLPLICATION ANWENDUNG APPLICATION	VERP.PER EMB.PAR PACK PR. PACK PR.
	<p><b>ACMC2581T</b></p> <p>BEVESTIGING STIJL FIXATION MONTANT BEFESTIGUNG PFOSTEN CONNECTION MULLION</p> <p>ALU</p> <p>H = 100MM D = 124MM</p>	<p>MC010 MC011 MC012 ...</p>	<p>1</p>
	<p><b>NOT CURRENTLY AVAILABLE IN THE UK</b></p>		
	<p><b>ACMC2582T</b></p> <p>BEVESTIGING STIJL FIXATION MONTANT BEFESTIGUNG PFOSTEN CONNECTION MULLION</p> <p>ALU</p> <p>H = 100MM D = 124MM</p>	<p>MC010 MC011 MC012 ...</p>	<p>1</p>
	<p><b>NOT CURRENTLY AVAILABLE IN THE UK</b></p>		
	<p><b>ACMC2583T</b></p> <p>BEVESTIGING STIJL FIXATION MONTANT BEFESTIGUNG PFOSTEN CONNECTION MULLION</p> <p>ALU</p> <p>H = 140MM D = 124MM</p>	<p>MC010 MC011 MC012 ...</p>	<p>1</p>
	<p><b>NOT CURRENTLY AVAILABLE IN THE UK</b></p>		
	<p><b>ACDC791</b></p> <p>SILICONE VOOR STRUCTURELE BEGLAZING SILICONE POUR VITRAGE STRUCTURAL SILIKON FÜR STRUKTURELL VERGLASUNG SILICONE FOR STRUCTURE GLAZING</p> <p>600ML</p> <p>BLACK</p>	<p>MC GLASS</p>	<p>1</p>
	<p><b>ACDCR40</b></p> <p>KUISMIDDEL VOOR DOW CORNING NETTOYANT POUR DOW CORNING REINIGUNGSMITTEL FÜR DOW CORNING DOW CORNING CLEANER</p> <p>600ML</p>	<p>ACDC791</p>	<p>4L</p>

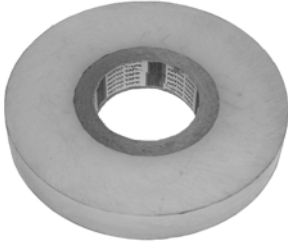




AFBEELDING IMAGE BILD PICTURE	OMSCHRIJVING DESCRIPTION BESCHREIBUNG DESCRIPTION	TOEPASSING APPLICATION ANWENDUNG APPLICATION	VERP.PER EMB.PAR PACK PR. PACK PR.
	<p><b>ACDR052</b></p> <p>DIN7981 4.8 X 50</p>	ST1030	200
	<p><b>ACEF350</b></p> <p>AFDICHTINGSBAND MEMBRANE D'ÉTANCHÉITÉ ABDICHTUNGSBAHN SEALING SHEET</p> <p>EPDM</p>	ST1010 ST1110	20M
	<p><b>ACFT075</b></p> <p>KOPPELINGSRUBBER JOINT DE JONCTION KUPPLUNGSDICHTUNG LINKING GASKET</p>		100M
	<p><b>ACMX09700</b></p> <p>ALU-POLISH</p>		1
	<p><b>ACMX09761</b></p> <p>MAXI-GLOSS</p>		1



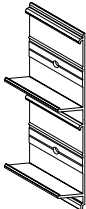
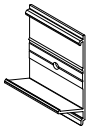
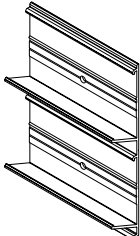
# MC-WALL

AFBEELDING IMAGE BILD PICTURE	OMSCHRIJVING DESCRIPTION BESCHREIBUNG DESCRIPTION	TOEPASSING APLPLICATION ANWENDUNG APPLICATION	VERP.PER EMB.PAR PACK PR. PACK PR.
	<p><b>ACMX09762</b></p> <p>PERIODI-CLEAN</p>		1
	<p><b>ACMX09763</b></p> <p>TEFLON SPRAY</p>		1
	<p><b>ACMX09764</b></p> <p>MAXI-CLEANER</p>		1
	<p><b>ACMX09765</b></p> <p>GLUE-CLEANER</p> <p>KUISMIDDEL VOOR LIJM NETTOYANT POUR COLLE REINIGUNGSMITTEL FÜR KLEBER CLEANER FOR GLUE</p>		1
	<p><b>ACMX09766</b></p> <p>SURFACE ACTIVATOR</p>		1

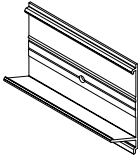




AFBEELDING IMAGE BILD PICTURE	OMSCHRIJVING DESCRIPTION BESCHREIBUNG DESCRIPTION	TOEPASSING APPLICATION ANWENDUNG APPLICATION	VERP.PER EMB.PAR PACK PR. PACK PR.
	<p><b>ACMX09770</b></p> <p>ROL ANDYWRAP 100MM ROULEAU ANDYWRAP 100MM ROLLE ANDYWRAP 100MM ROLL ANDYWRAP 100MM</p>		1
	<p><b>ACMX09775</b></p> <p>HOUDER ANDYWRAP MANCHE ANDYWRAP HALTER ANDYWRAP GRIP ANDYWRAP</p>		1
	<p><b>ACMX09801</b></p> <p>BESCHERMTAPE 50MM (500M) TAPE DE PROTECTION 50MM (500M) SCHUTZ KLEBEBAND 50MM (500M) PROTECTIVE TAPE 50MM (500M)</p>		1
	<p><b>ACMX09802</b></p> <p>BESCHERMTAPE 70MM (500M) TAPE DE PROTECTION 70MM (500M) SCHUTZ KLEBEBAND 70MM (500M) PROTECTIVE TAPE 70MM (500M)</p>		1
	<p><b>ACMX09803</b></p> <p>BESCHERMTAPE 100MM (500M) TAPE DE PROTECTION 100MM (500M) SCHUTZ KLEBEBAND 100MM (500M) PROTECTIVE TAPE 100MM (500M)</p>		1

# MC-WALL




AFBEELDING IMAGE BILD PICTURE	OMSCHRIJVING DESCRIPTION BESCHREIBUNG DESCRIPTION	TOEPASSING APLPLICATION ANWENDUNG APPLICATION	VERP.PER EMB.PAR PACK PR. PACK PR.
	<p><b>ACMX09804</b></p> <p>BESCHERMTAPE 35MM (500M) TAPE DE PROTECTION 35MM (500M) SCHUTZ KLEBEBAND 35MM (500M) PROTECTIVE TAPE 35MM (500M)</p>		1
	<p><b>ACMX09811</b></p> <p>AFDICHTINGSBAND 55MM JOINT D'ETANCHEITE 55MM ABDICHTUNGSBAND 55MM SEALING TAPE 55MM</p>		20
	<p><b>ACSIL05</b></p> <p>VULCANISEERLIJM-RUBBERS COLLE VULCANISANTE JOINT VULKANISIERKLEBER DICHTUNG VULCANISING GLUE GASKET</p> <p>310ML</p>		1
	<p><b>ACSIL013</b></p> <p>LIJM VOOR VERSTEKHOEK COLLE POUR ONGLET KLEBER FÜR GEHRUNG GLUE FOR MITRE</p>		1
	<p><b>ACSIL014</b></p> <p>ANTICORRO - BESCHERMINGSPRODUKT ANTICORRO - PRODUIT DE PROTECTION ANTICORRO - SCHUTZPRODUKT ANTICORRO - PROTECTION PRODUCT</p>		1

AFBEELDING IMAGE BILD PICTURE	OMSCHRIJVING DESCRIPTION BESCHREIBUNG DESCRIPTION	TOEPASSING APPLICATION ANWENDUNG APPLICATION	VERP.PER EMB.PAR PACK PR. PACK PR.
	<p><b>ACSIL04</b></p> <p>AFDICHTINGSLIJMKIT VOOR VERSTEKNADEN JOINT D'ÉTANCHÉITÉ POUR ONGLETS LEIM FÜR ABDICHTUNG SEALINGGLUE</p>		1
	<p><b>ACSIL08</b></p> <p>SILICONENPOMP PISTOLET DOSEUR POUR LES TUBES SILICONES HANDKARTUSCHENPISTOLE FÜR SILIKONE SILICONE GUN</p>		1
	<p><b>ACSN050</b></p> <p>VERBINDING ZONNEWERING CONNECTION BRISE SOLEIL VERBINDER SONNENSCHUTZE BRACKET SHUTTER</p> <p>50MM</p>	SN010	1
	<p><b>ACSN051</b></p> <p>VERBINDING ZONNEWERING CONNECTION BRISE SOLEIL VERBINDER SONNENSCHUTZE BRACKET SHUTTER</p> <p>50MM</p>	SN010	1
	<p><b>ACSN100</b></p> <p>VERBINDING ZONNEWERING CONNECTION BRISE SOLEIL VERBINDER SONNENSCHUTZE BRACKET SHUTTER</p> <p>100MM</p>	SN010	1

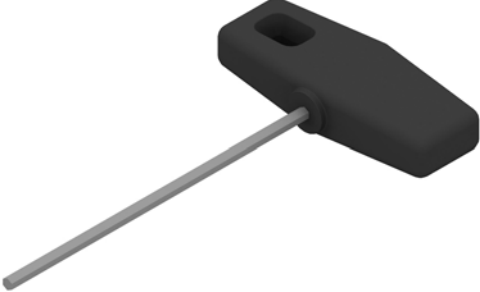
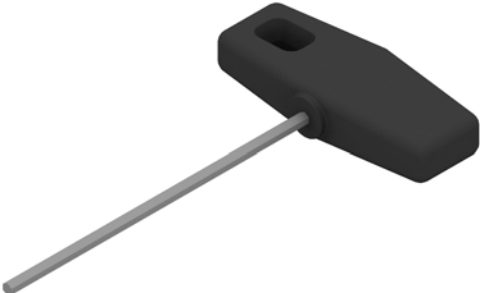
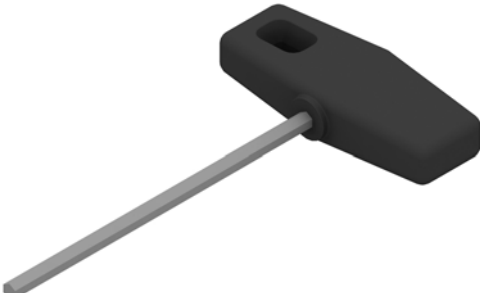


# MC-WALL


AFBEELDING IMAGE BILD PICTURE	OMSCHRIJVING DESCRIPTION BESCHREIBUNG DESCRIPTION	TOEPASSING APLPLICATION ANWENDUNG APPLICATION	VERP.PER EMB.PAR PACK PR. PACK PR.
	<p><b>ACSN101</b></p> <p>VERBINDING ZONNEWERING CONNECTION BRISE SOLEIL VERBINDER SONNENSCHUTZE BRACKET SHUTTER</p> <p>100MM</p>	SN010	1
	<p><b>ACUN021</b></p> <p>STEUNHOEK CALE DE FEUILLURE ECKWINKEL REBATE SUPPORT</p>		100
	<p><b>ACUN033</b></p> <p>BINNENBEGLAZINGSDICHTING JOINT DE VITRAGE INTERIEUR INNENVERGLASUNGSDICHTUNG INNER GLAZING GASKET</p> <p>3 - 5 MM</p>		100M
	<p><b>ACUN036</b></p> <p>BINNENBEGLAZINGSDICHTING JOINT DE VITRAGE INTERIEUR INNENVERGLASUNGSDICHTUNG INNER GLAZING GASKET</p> <p>6 - 8 MM</p>		100M
	<p><b>ACUN23X</b></p> <p>DRIEDELIG DEURSCHARNIER CHARNIERE PORTE EN TROIS PARTIE DREITEILIG ROLLENTÜRBAND THREE PART DOOR HINGES</p> <p>ACUN230: B = 160 MM ACUN232: B = 240 MM ACUN233: B = 260 MM</p>		100



AFBEELDING IMAGE BILD PICTURE	OMSCHRIJVING DESCRIPTION BESCHREIBUNG DESCRIPTION	TOEPASSING APPLICATION ANWENDUNG APPLICATION	VERP.PER EMB.PAR PACK PR. PACK PR.
	<b>ACVG31N</b>  MUURANKER ANCRAGE VERANKERUNG ANCHOR		200M 3600M 7200M
	<b>ACVG32N</b>  BINNENBEGLAZINGSDICHTING JOINT DE VITRAGE INTERIEUR INNENVERGLASUNGSDICHTUNG INNER GLAZING GASKET  3 MM		100M 3000M
	<b>ACVG33N</b>  BINNENBEGLAZINGSDICHTING JOINT DE VITRAGE INTERIEUR INNENVERGLASUNGSDICHTUNG INNER GLAZING GASKET  4 MM		100M 3000M
	<b>ACVG340N</b>  BINNENBEGLAZINGSDICHTING JOINT DE VITRAGE INTERIEUR INNENVERGLASUNGSDICHTUNG INNER GLAZING GASKET  6 MM		100M 3000M
	<b>ACVG34N</b>  BINNENBEGLAZINGSDICHTING JOINT DE VITRAGE INTERIEUR INNENVERGLASUNGSDICHTUNG INNER GLAZING GASKET  5 MM		100M 1800M 3600M

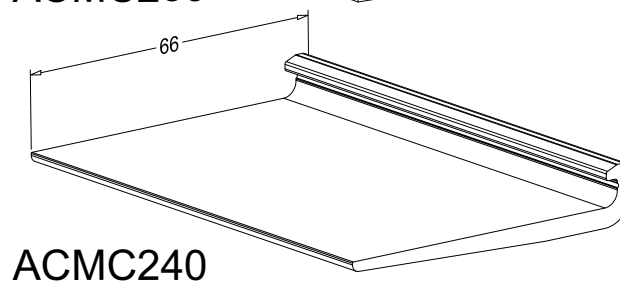
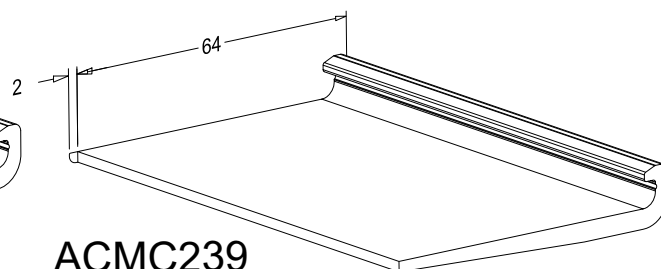
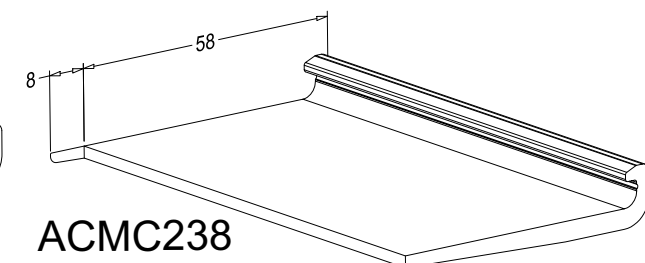
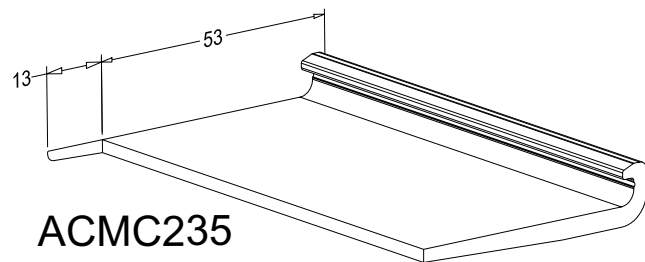
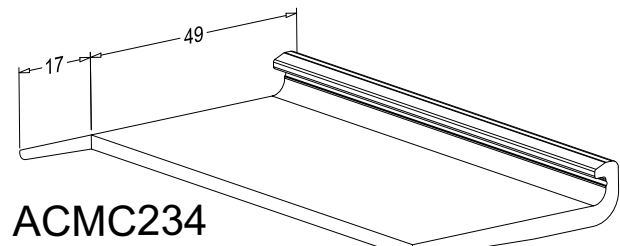
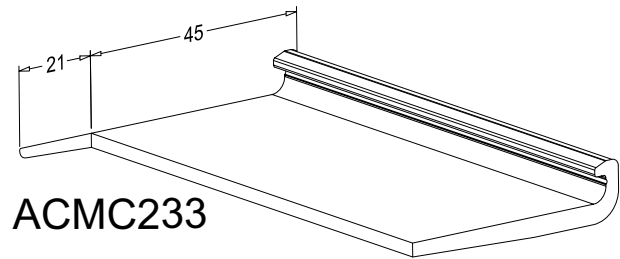
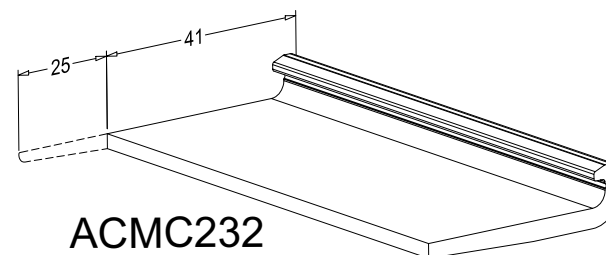
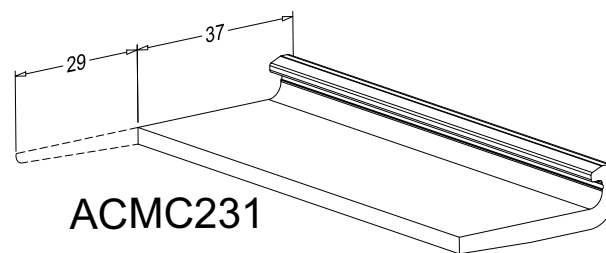
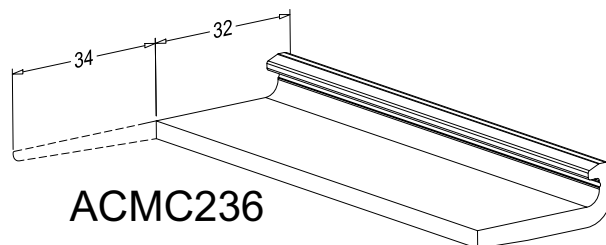
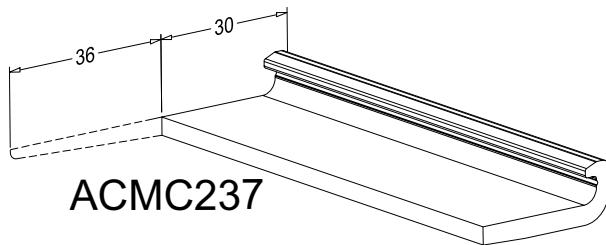
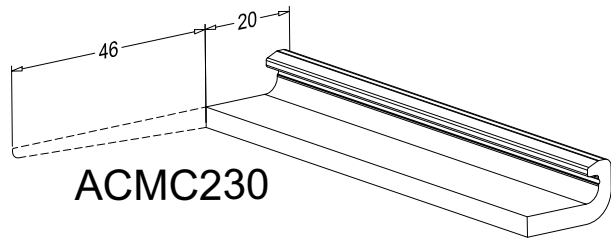
# MC-WALL

AFBEELDING IMAGE BILD PICTURE	OMSCHRIJVING DESCRIPTION BESCHREIBUNG DESCRIPTION	TOEPASSING APLPLICATION ANWENDUNG APPLICATION	VERP.PER EMB.PAR PACK PR. PACK PR.
	<b>ACVG65</b>  ZESKANTSLEUTEL 2.5MM CLÉ À SIX PANS 2.5MM SECHSKANTSCHLÜSSEL 2.5MM T-HANDLE HEXAGON KEY 2.5MM		1
	<b>ACVG66</b>  ZESKANTSLEUTEL 3MM CLÉ À SIX PANS 3MM SECHSKANTSCHLÜSSEL 3MM T-HANDLE HEXAGON KEY 3MM		1
	<b>ACVL150</b>  ZESKANTSLEUTEL 4MM CLÉ À SIX PANS 4MM SECHSKANTSCHLÜSSEL 4MM T-HANDLE HEXAGON KEY 4MM		1
	<b>ACVL159</b>  SECONDENLIJM COLLE RAPIDE SEKUNDENLEIM CONTACTGLUE		1
	<b>ACVR503</b>  INROLPEES TENDEUR KEDER GASKET	MC007	200M

AFBEELDING IMAGE BILD PICTURE	OMSCHRIJVING DESCRIPTION BESCHREIBUNG DESCRIPTION	TOEPASSING APLPLICATION ANWENDUNG APPLICATION	VERP.PER EMB.PAR PACK PR. PACK PR.
	<b>ACVT120</b>  BEVESTIGING VOOR GOOT FIXATION POUR GOUTTIERE BEFESTIGUNG FÜR DACHRINNE BRACKET FOR GUTTER	VT021	1

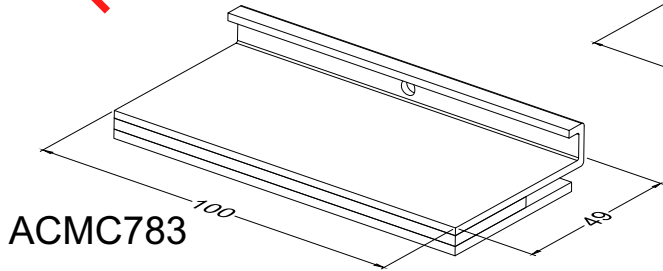
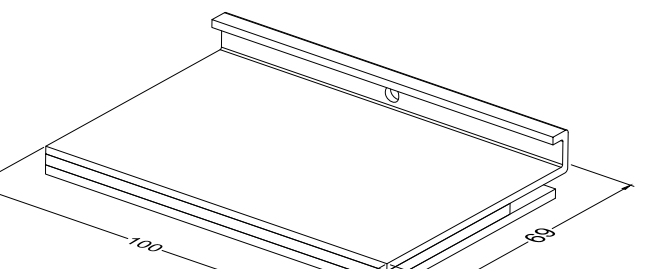
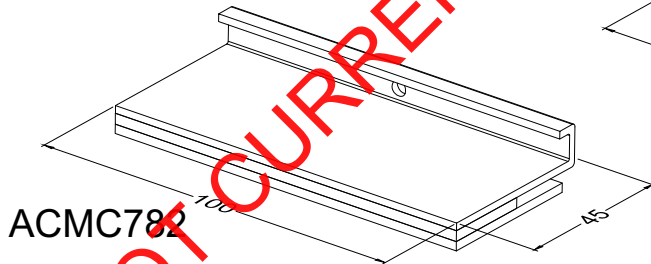
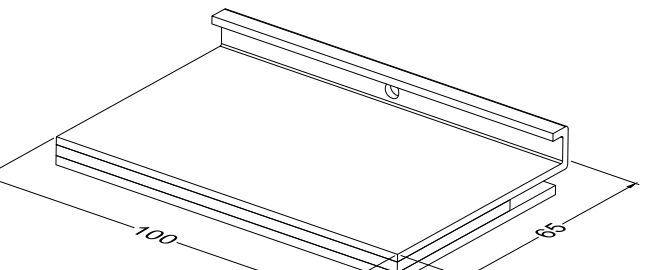
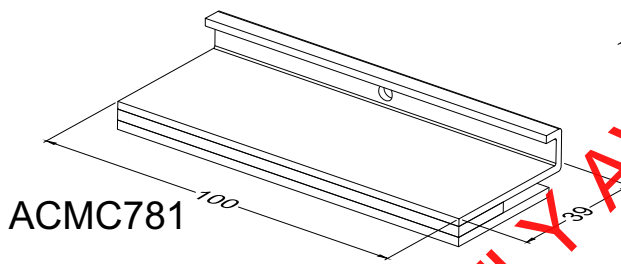
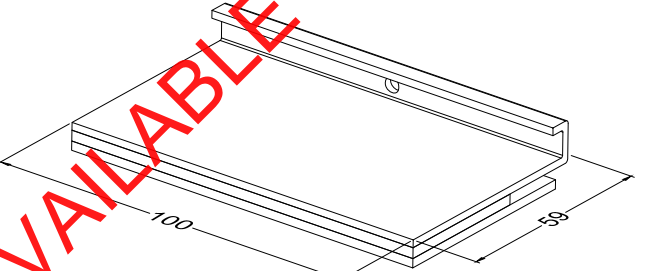
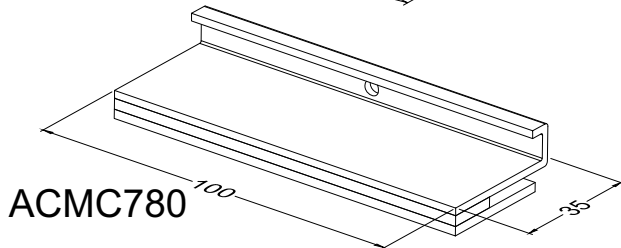
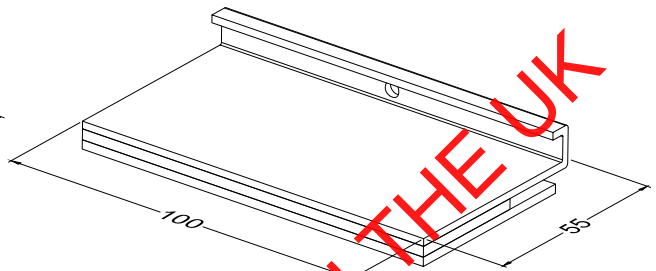
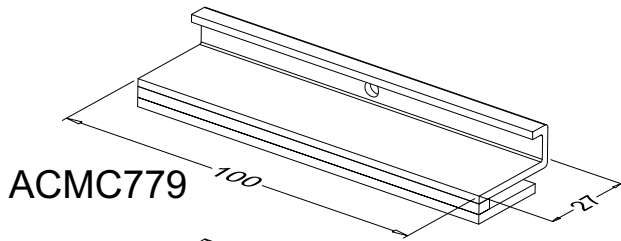


OVERZICHT GLASSTEUNEN  
APERCU CALES DE VITRAGES  
UBERSICHT KLOTZ-AUFLAGE  
OVERVIEW GLAZING SUPPORTS



# MC-WALL

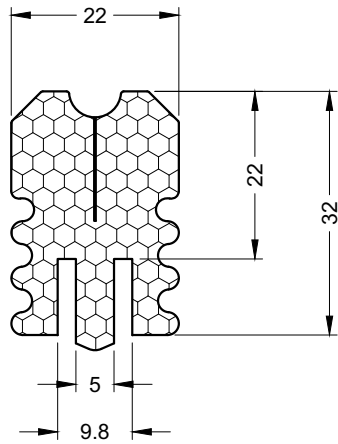
OVERZICHT GLASSTEUNEN MC FIRE  
APERCU CALES DE VITRAGES MC FIRE  
UBERSICHT KLOTZ-AUFLAGE MC FIRE  
OVERVIEW GLAZING SUPPORTS MC FIRE



NOT CURRENTLY AVAILABLE IN THE UK

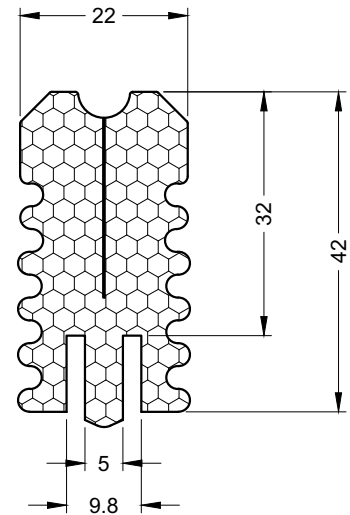
OVERZICHT XPE ISOLATOREN  
APERCU ISOLATEURS XPE  
UBERSICHT XPE ISOLATOREN  
OVERVIEW XPE ISOLATORS

## ACMC729



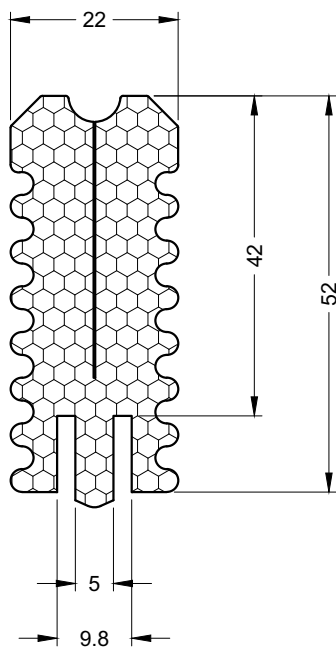
RANGE 24-29mm

## ACMC731



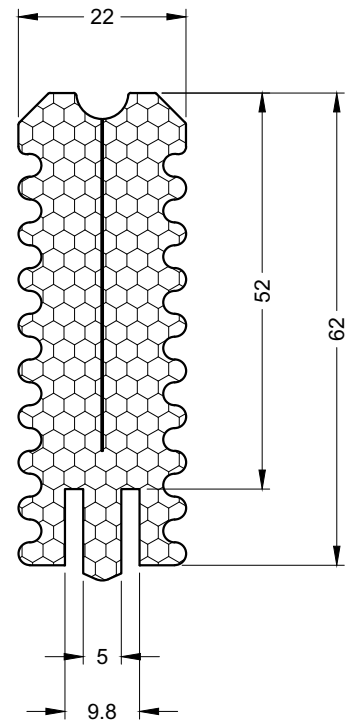
RANGE 30-39mm

## ACMC733



RANGE 40-49mm

## ACMC735

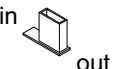
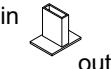
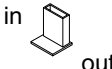
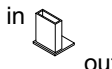
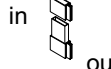






































































RANGE 50-59mm

XPE

# MC-WALL

OVERZICHT BEVESTIGINGEN  
 APERCU FIXATIONS  
 UBERSICHT BEFESTIGUNGEN  
 OVERVIEW CONNECTIONS

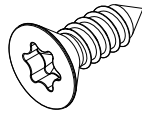
					
MC010	 ACMC820	 ACMC840	 ACMC860	 ACMC880	
MC011	 ACMC821	 ACMC841	 ACMC861	 ACMC881	 ACMC614
MC413	 ACMC822	 ACMC842	 ACMC862	 ACMC882	 ACMC614
MC012 MC014	 ACMC823	 ACMC843	 ACMC863	 ACMC883	 ACMC615
MC019 MC021	 ACMC824	 ACMC844	 ACMC864	 ACMC884	 ACMC615
MC016	 ACMC825	 ACMC845	 ACMC865	 ACMC885	 ACMC615
MC022/420	 ACMC826	 ACMC846	 ACMC866	 ACMC886	 ACMC615
MC017	 ACMC827	 ACMC847	 ACMC867	 ACMC887	 ACMC616
MC018	 ACMC828	 ACMC848	 ACMC868	 ACMC888	 ACMC616
MC024	 ACMC830	 ACMC850	 ACMC870	 ACMC890	 ACMC616
MC416	 ACMC832	 ACMC852	 ACMC892	 ACMC872	 ACMC616
MC417	 ACMC836	 ACMC856	 ACMC896	 ACMC876	 ACMC616 x2
MC415	 ACMC831	 ACMC851	 ACMC891	 ACMC871	 ACMC616 x2
MC015	 ACMC829	 ACMC849	 ACMC869	 ACMC889	



OVERZICHT SCHROEVEN  
APERCU VIS  
UBERSICHT SCHRAUBEN  
OVERVIEW SCREWS

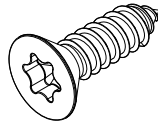
## ACMC6319S

DIN7982 TX M6.3x19  
x 500



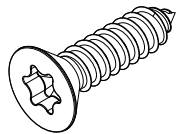
## ACMC6322S

DIN7982 TX M6.3x22  
x 500



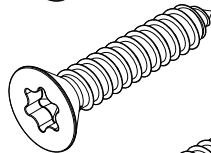
## ACMC6325S

DIN7982 TX M6.3x25  
x 500



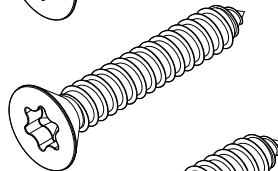
## ACMC6332S

DIN7982 TX M6.3x32  
x 200



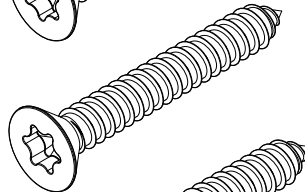
## ACMC6338S

DIN7982 TX M6.3x38  
x 200



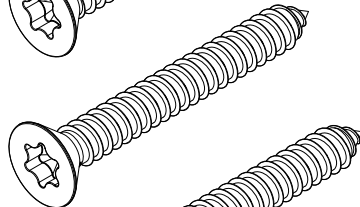
## ACMC6345S

DIN7982 TX M6.3x45  
x 200



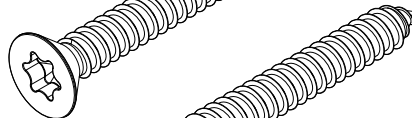
## ACMC6350S

DIN7982 TX M6.3x50  
x 200



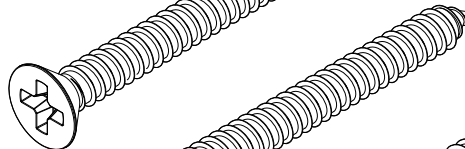
## ACMC6360S

DIN7982 TX M6.3x60  
x 200



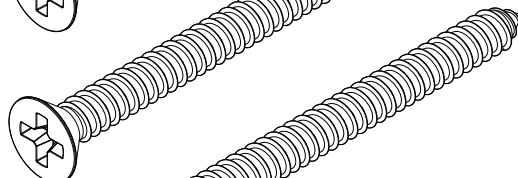
## ACMC6370S

DIN7982 M6.3x70  
x 200



## ACMC6380S

DIN7982 M6.3x80  
x 200



## ACMC6390S

DIN7982 M6.3x80  
x 200



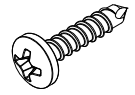
SCHROEVEN\_1

**aliplast**  
member of



## ACMX872

DIN7504N M3.5x19  
x 200



## ACMX873

DIN913 M4x8  
x 200



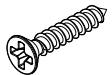
## ACMX874

DIN913 M4x10  
x 200



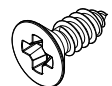
## ACMX875

DIN7982 M2.9x16  
x 200



## ACMX876

DIN7982 M4.8x13  
x 200

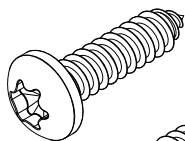


# MC-WALL

OVERZICHT SCHROEVEN  
APERCU VIS  
UBERSICHT SCHRAUBEN  
OVERVIEW SCREWS

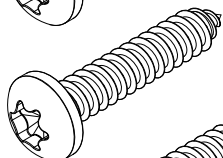
## ACMC6325

DIN7981 TX M6.3x25  
x 200



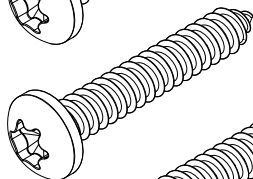
## ACMC6332

DIN7981 TX M6.3x32  
x 200



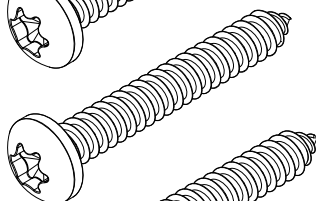
## ACMC6338

DIN7981 TX M6.3x38  
x 200



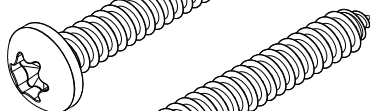
## ACMC6345

DIN7981 TX M6.3x45  
x 200



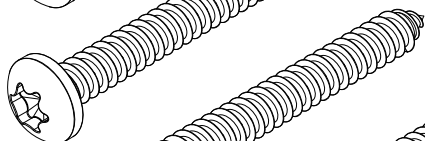
## ACMC6350

DIN7981 TX M6.3x50  
x 200



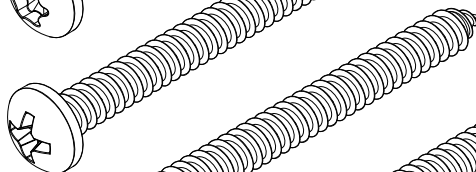
## ACMC6360

DIN7981 TX M6.3x60  
x 200



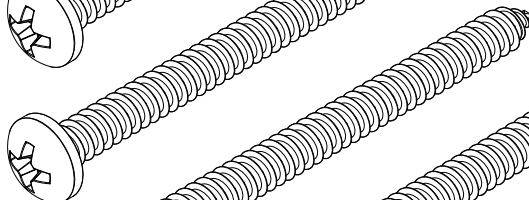
## ACMC6370

DIN7981 M6.3x70  
x 200



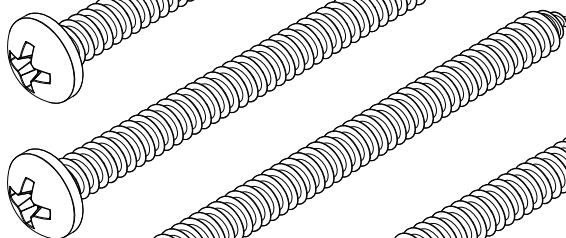
## ACMC6380

DIN7981 M6.3x80  
x 200



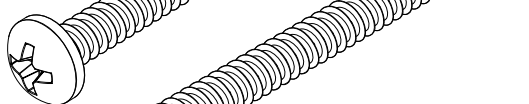
## ACMC6390

DIN7981 M6.3x90  
x 200



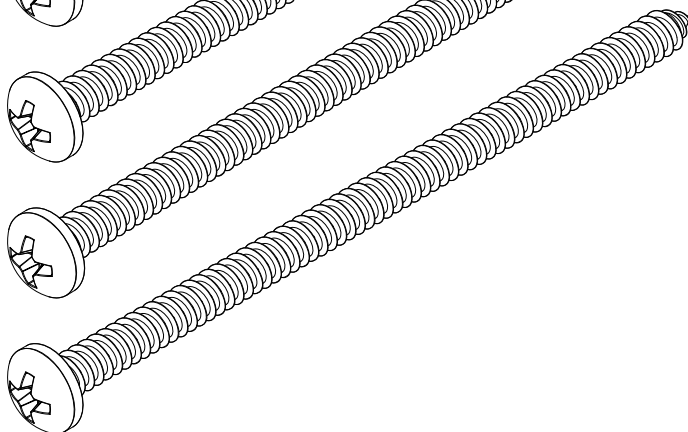
## ACMC63100

DIN7981 M6.3x100  
x 200



## ACMC63120

DIN7981 M6.3x120  
x 200

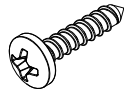


SCHROEVEN\_2

OVERZICHT SCHROEVEN  
APERCU VIS  
UBERSICHT SCHRAUBEN  
OVERVIEW SCREWS

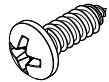
## ACMX877

DIN7981 M3.5x16  
x 200



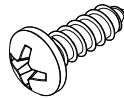
## ACMX878

DIN7981 M4.2x13  
x 200



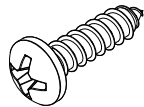
## ACMX879

DIN7981 M4.8x16  
x 200



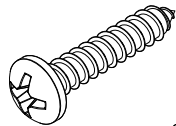
## ACMX880

DIN7981 M4.8x19  
x 200



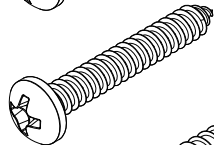
## ACMX881

DIN7981 M4.8x25  
x 200



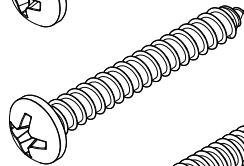
## ACDR050

DIN7981 M4.8x32  
x 200



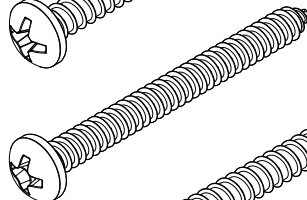
## ACMX882

DIN7981 M4.8x38  
x 200



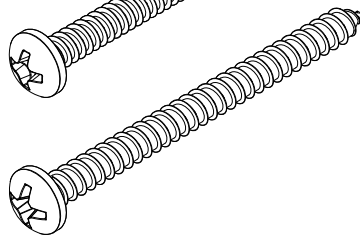
## ACDR052

DIN7981 M4.8x50  
x 200



## ACMX883

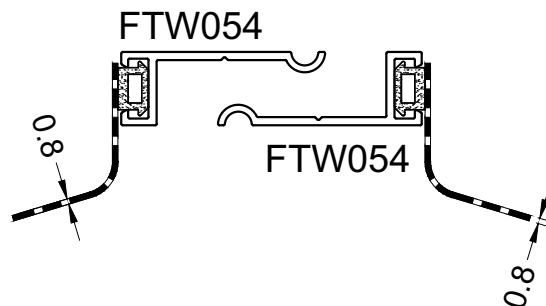
DIN7981 M4.8x60



# MC-WALL

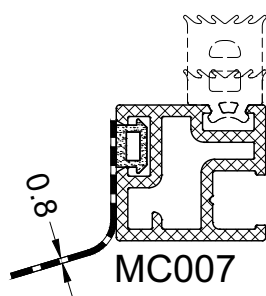
EPDM ROL  
 ROULEAU EPDM  
 EPDM ROLLE  
 EPDM ROLL

BUITEN  
 EXTERIEUR  
 AUSSEN  
 OUTSIDE



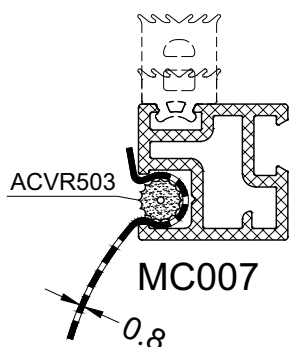
BINNEN  
 INTERIEUR  
 INNEN  
 INSIDE

- ACMC1531W - 100mm (25m)
- ACMC1532W - 150mm (25m)
- ACMC1533W - 200mm (25m)
- ACMC1534W - 250mm (20m)
- ACMC1536W - 350mm (25m)
- ACMC1537W - 400mm (25m)
- ACMC1538W - 500mm (25m)
- ACMC1539W - 800mm (25m)
- ACMC1540W - 1000mm (20m)
- ACMC1541W - 300mm (25m)



- (25m) ACMC1631W - 100mm
- (25m) ACMC1632W - 150mm
- (25m) ACMC1633W - 200mm
- (25m) ACMC1634W - 250mm
- (25m) ACMC1636W - 350mm
- (25m) ACMC1637W - 400mm
- (25m) ACMC1638W - 500mm
- (25m) ACMC1639W - 800mm
- (25m) ACMC1640W - 1000mm
- (25m) ACMC1641W - 300mm

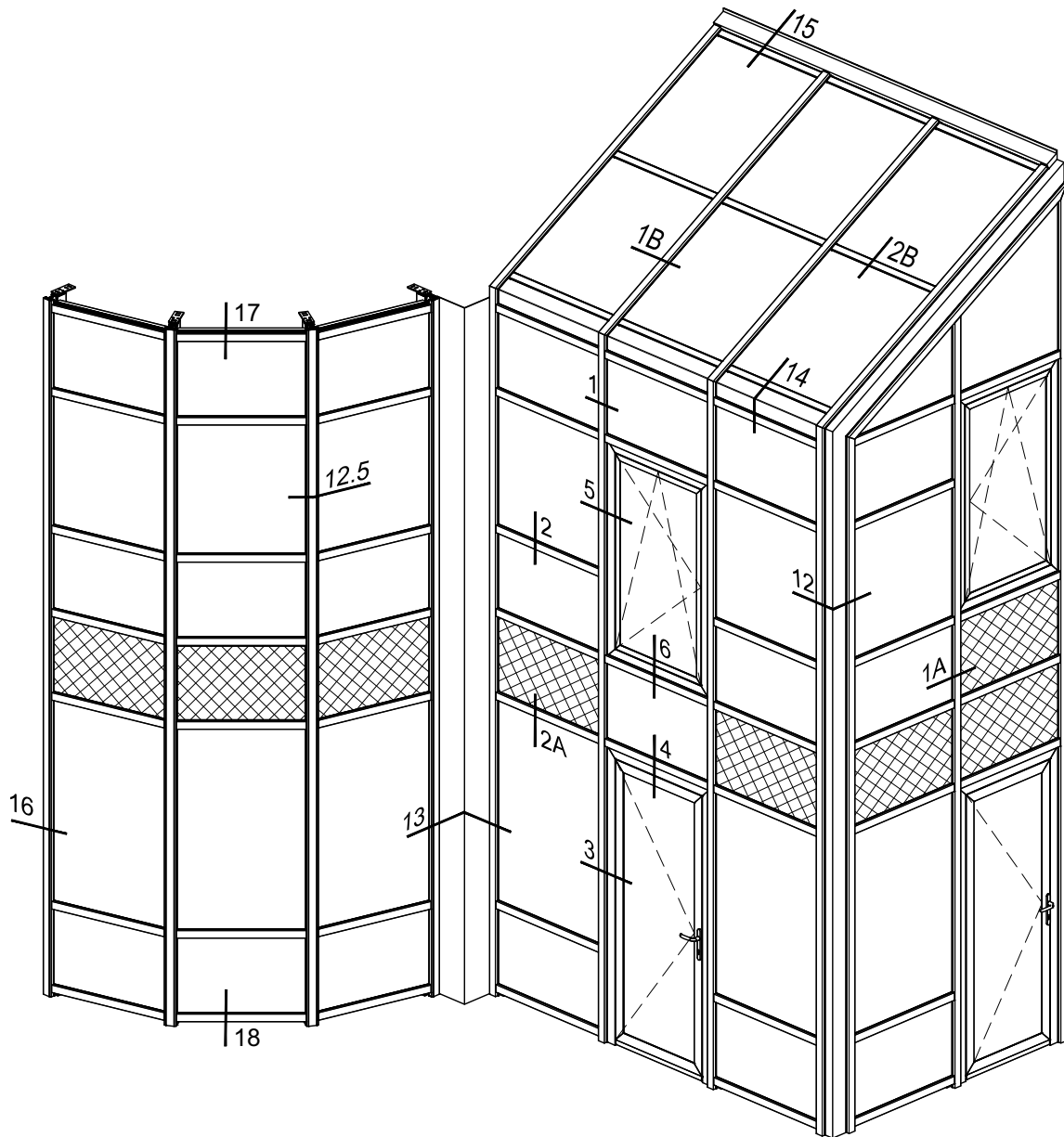
- ACMC1531 - 100mm (25m)
- ACMC1532 - 150mm (25m)
- ACMC1533 - 200mm (25m)
- ACMC1534 - 250mm (25m)
- ACMC1536 - 350mm (25m)
- ACMC1537- 400mm (25m)
- ACMC1538 - 500mm (25m)
- ACMC1539 - 800mm (25m)
- ACMC1540 - 1000mm (25m)
- ACMC1541 - 300mm (20m)



- (25m) ACMC1631 - 100mm
- (20m) ACMC1632 - 150mm
- (25m) ACMC1633 - 200mm
- (25m) ACMC1634 - 250mm
- (25m) ACMC1636 - 350mm
- (25m) ACMC1637 - 400mm
- (25m) ACMC1638 - 500mm
- (25m) ACMC1639 - 800mm
- (25m) ACMC1640 - 1000mm
- (20m) ACMC1641 - 300mm

EPDM

## MC\_WALL

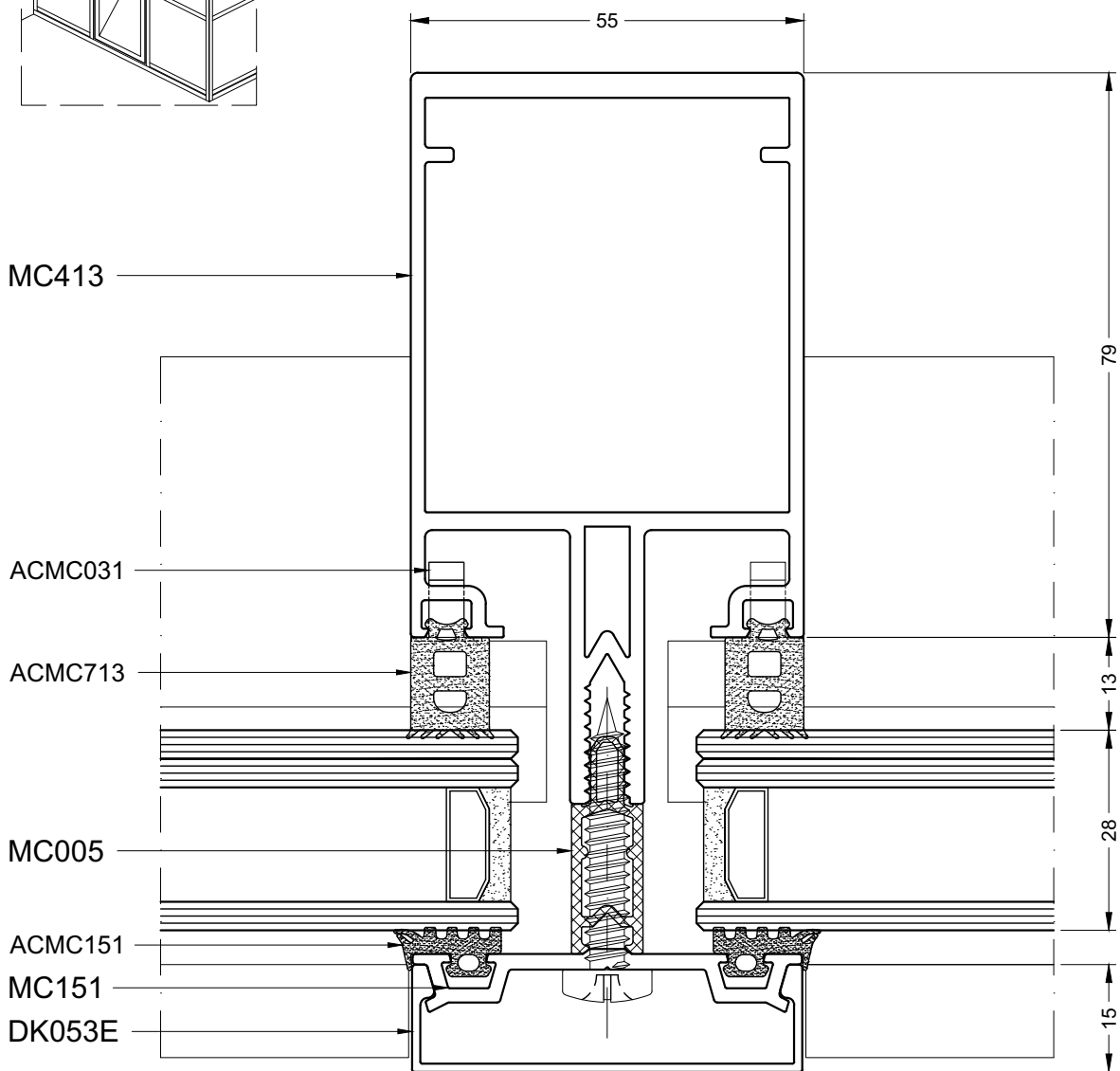
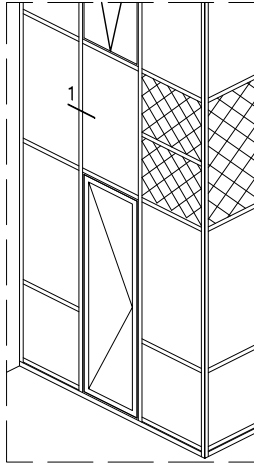


DOORSNEDETEKENINGEN - SECTION DE NOEUDS - PROFILKOMBINATIONEN - SECTION DRAWINGS

MCW

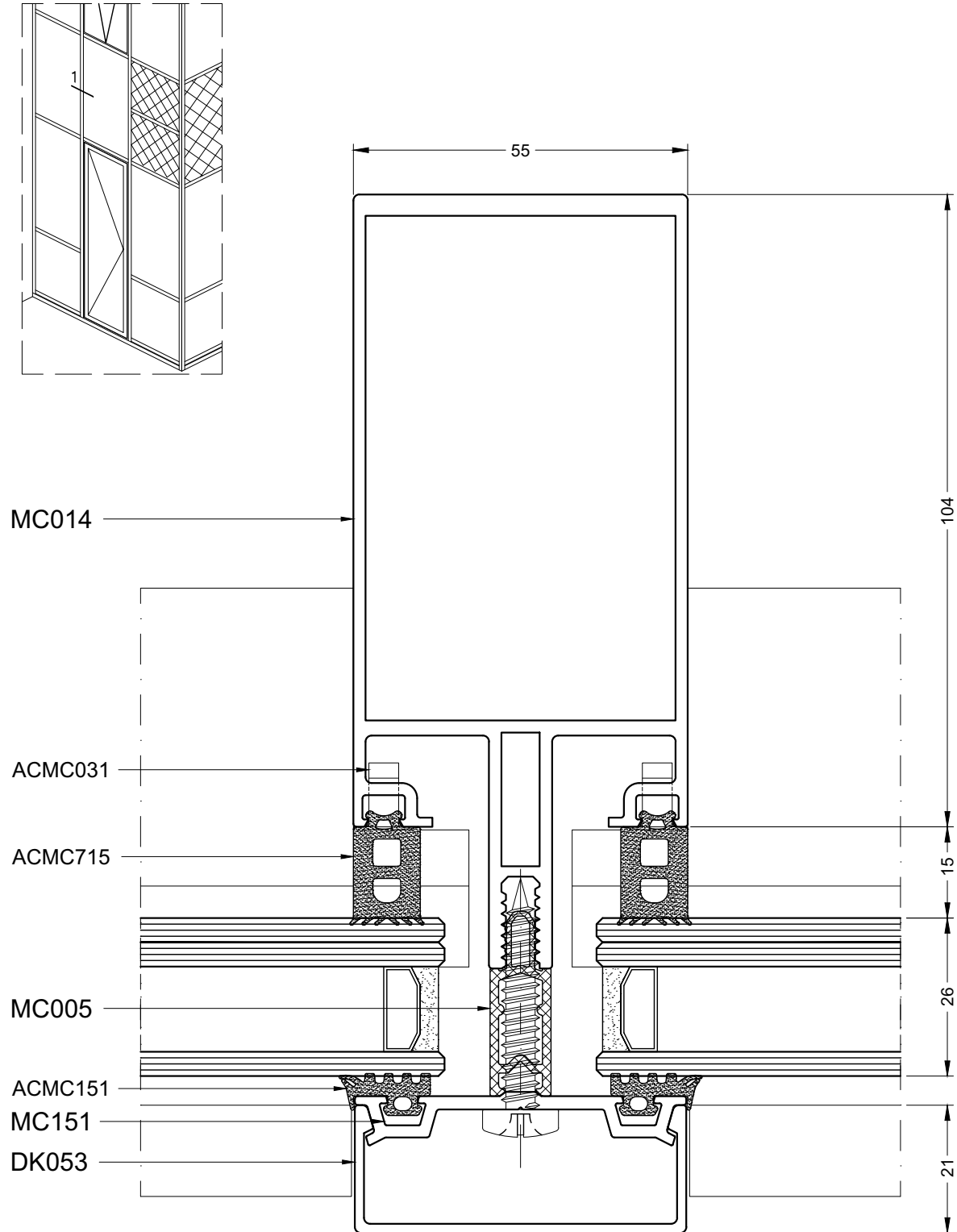
# MC-WALL

## 1.1



MCW\_1.1

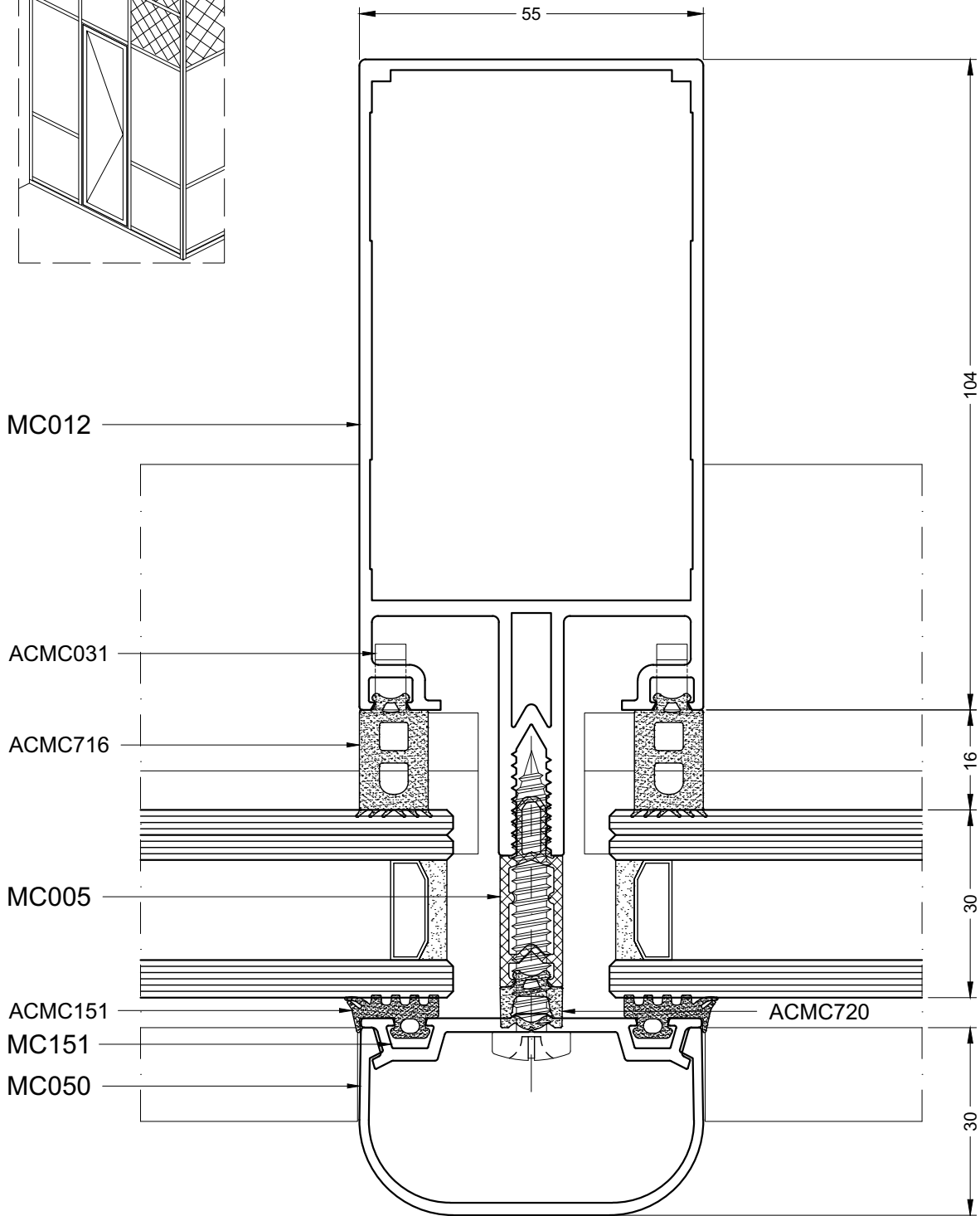
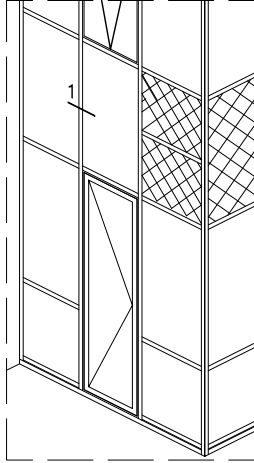
## 1.2



MCW\_1.2

# MC-WALL

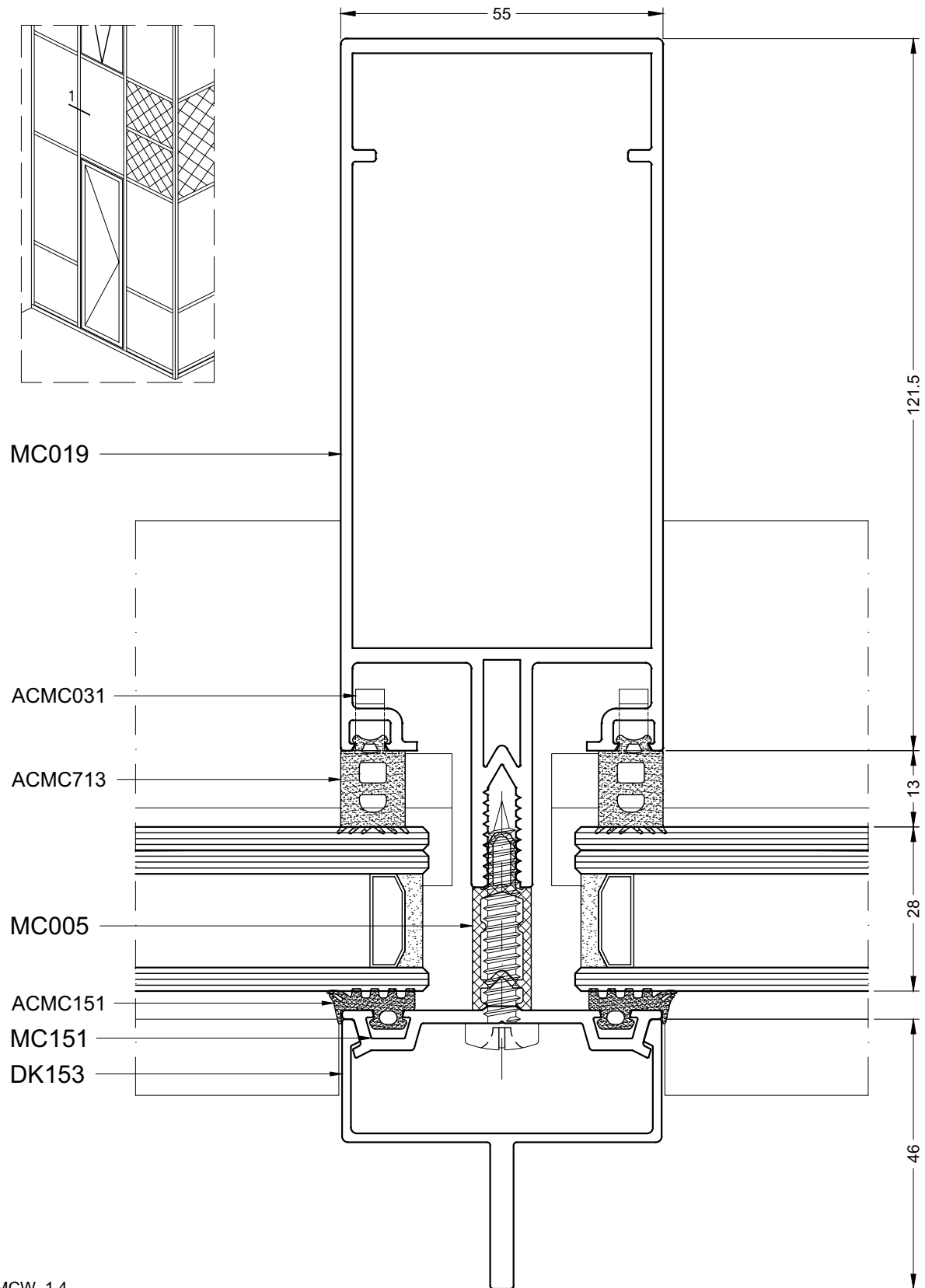
## 1.3



MCW\_1.3



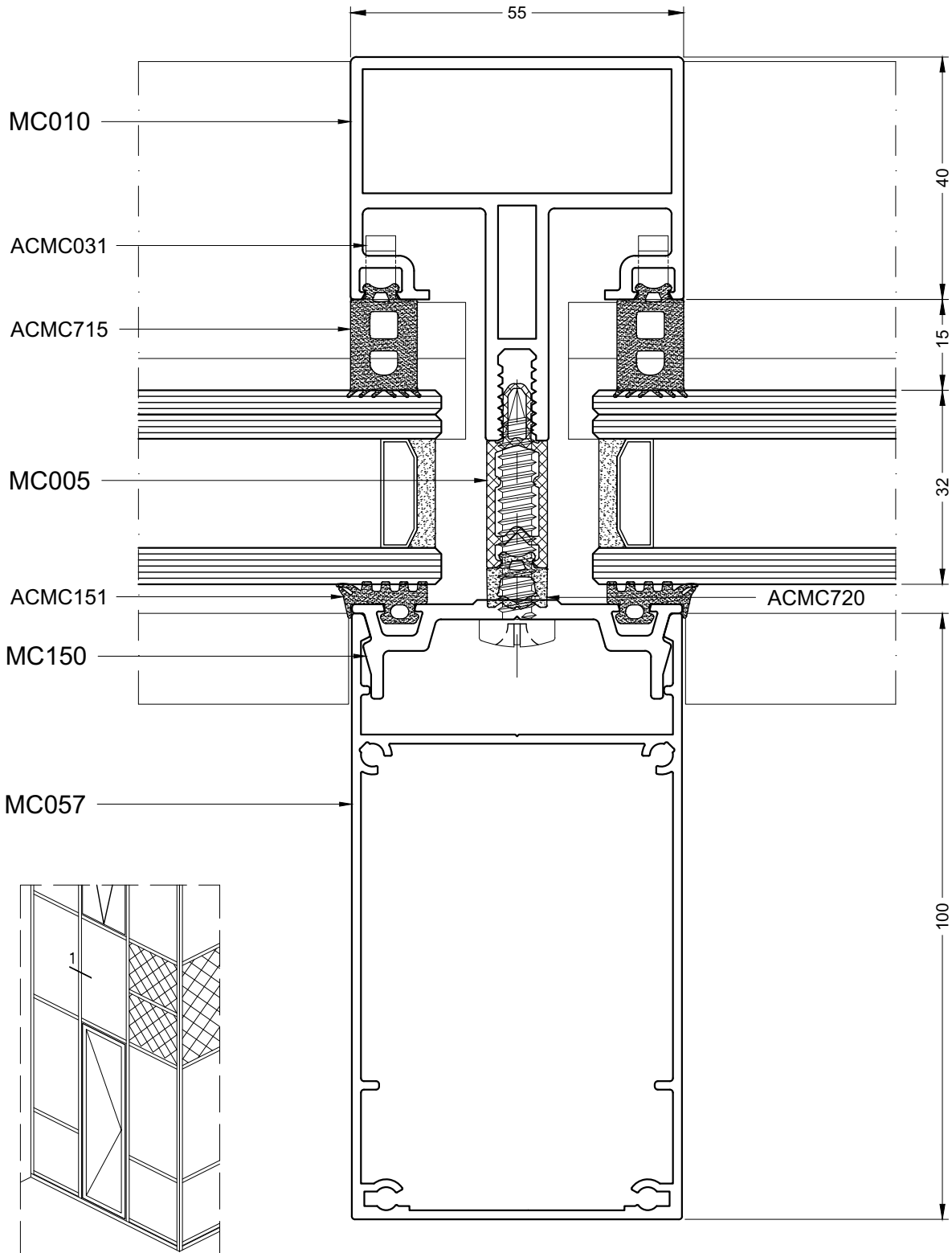
## 1.4



MCW\_1.4

# MC-WALL

1.5

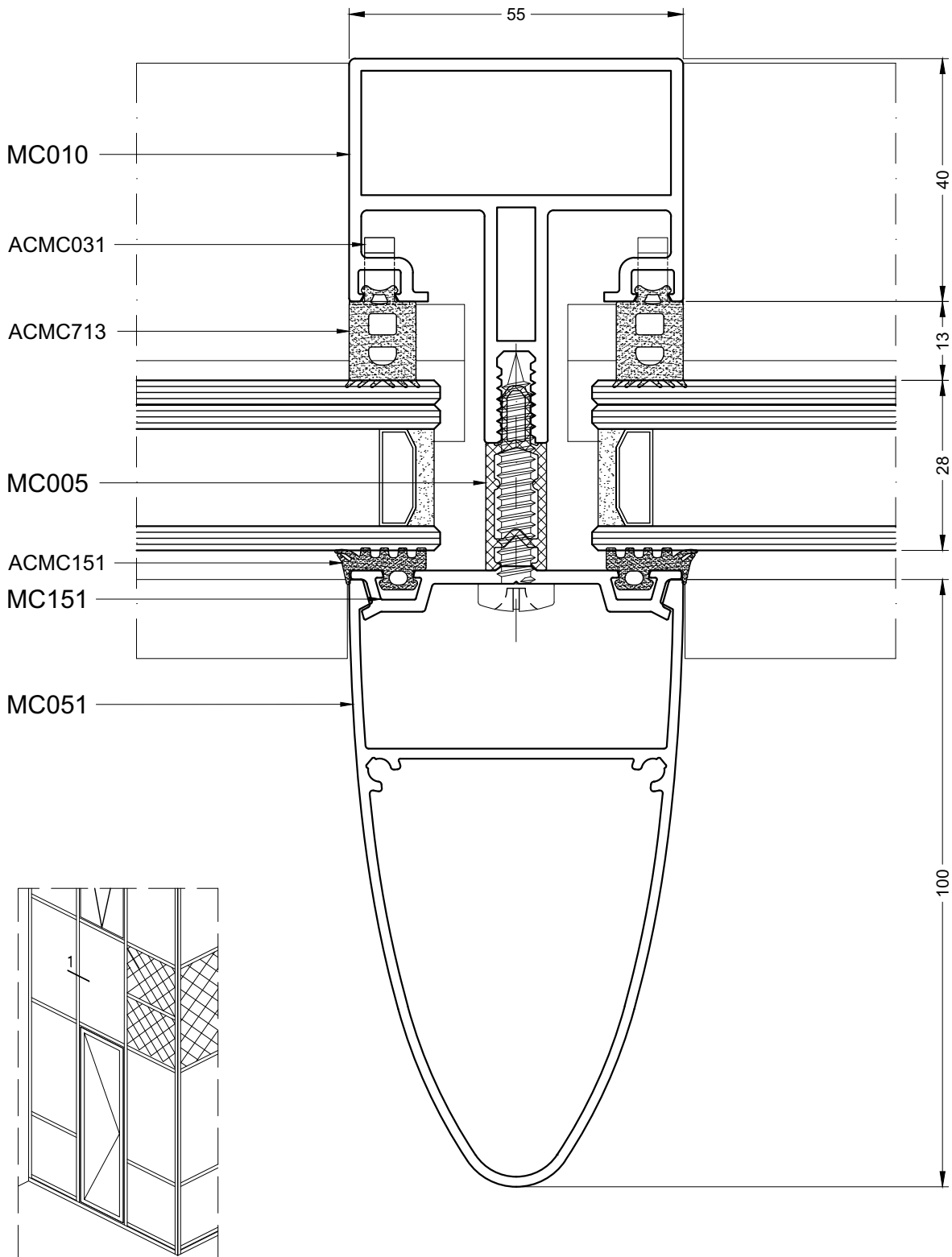


MCW\_1.5

130

18/1/18

## 1.6

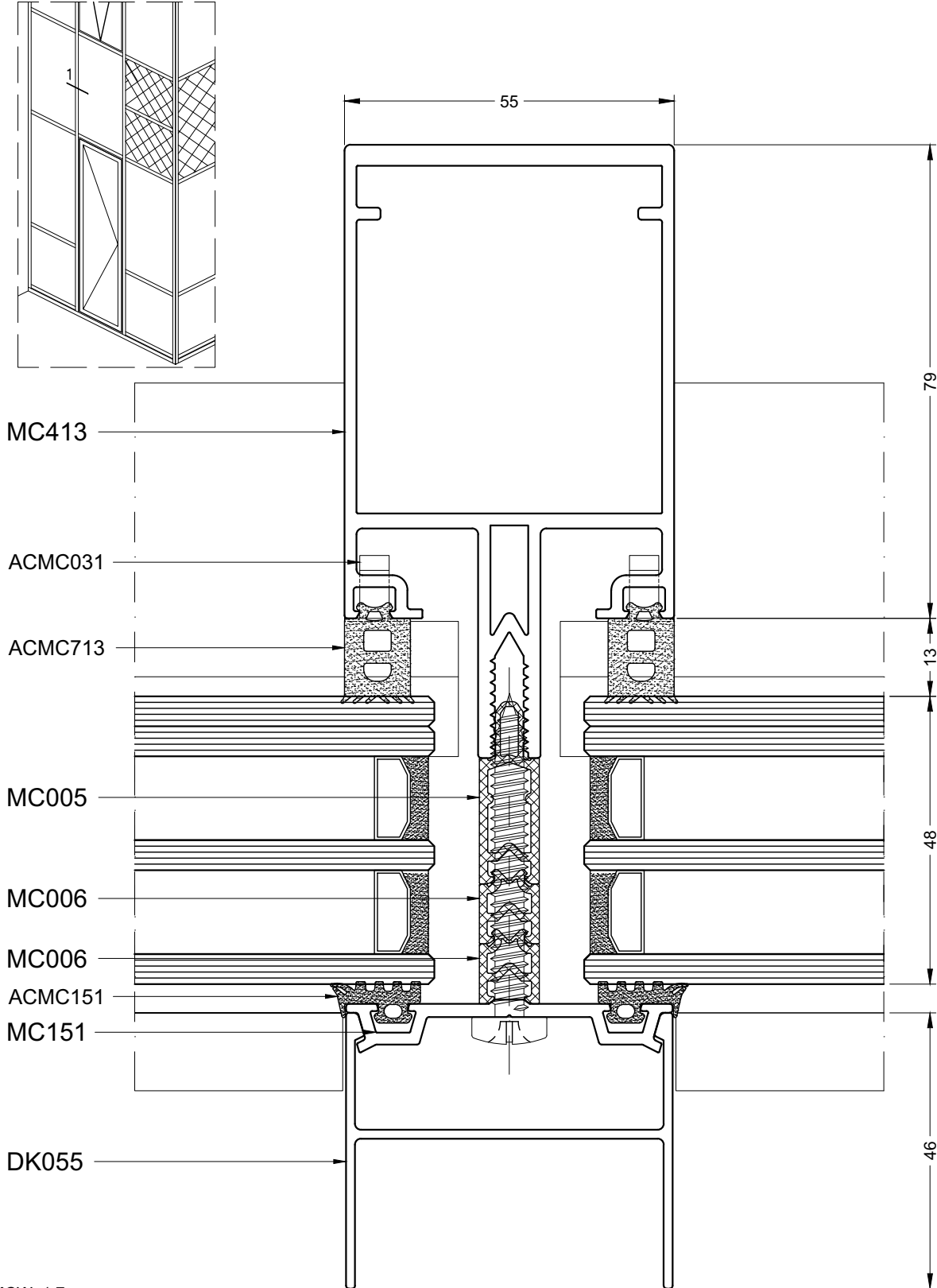


DOORSNEDETEKENINGEN - SECTION DE NOEUDS - PROFILKOMBINATIONEN - SECTION DRAWINGS

MCW\_1.6

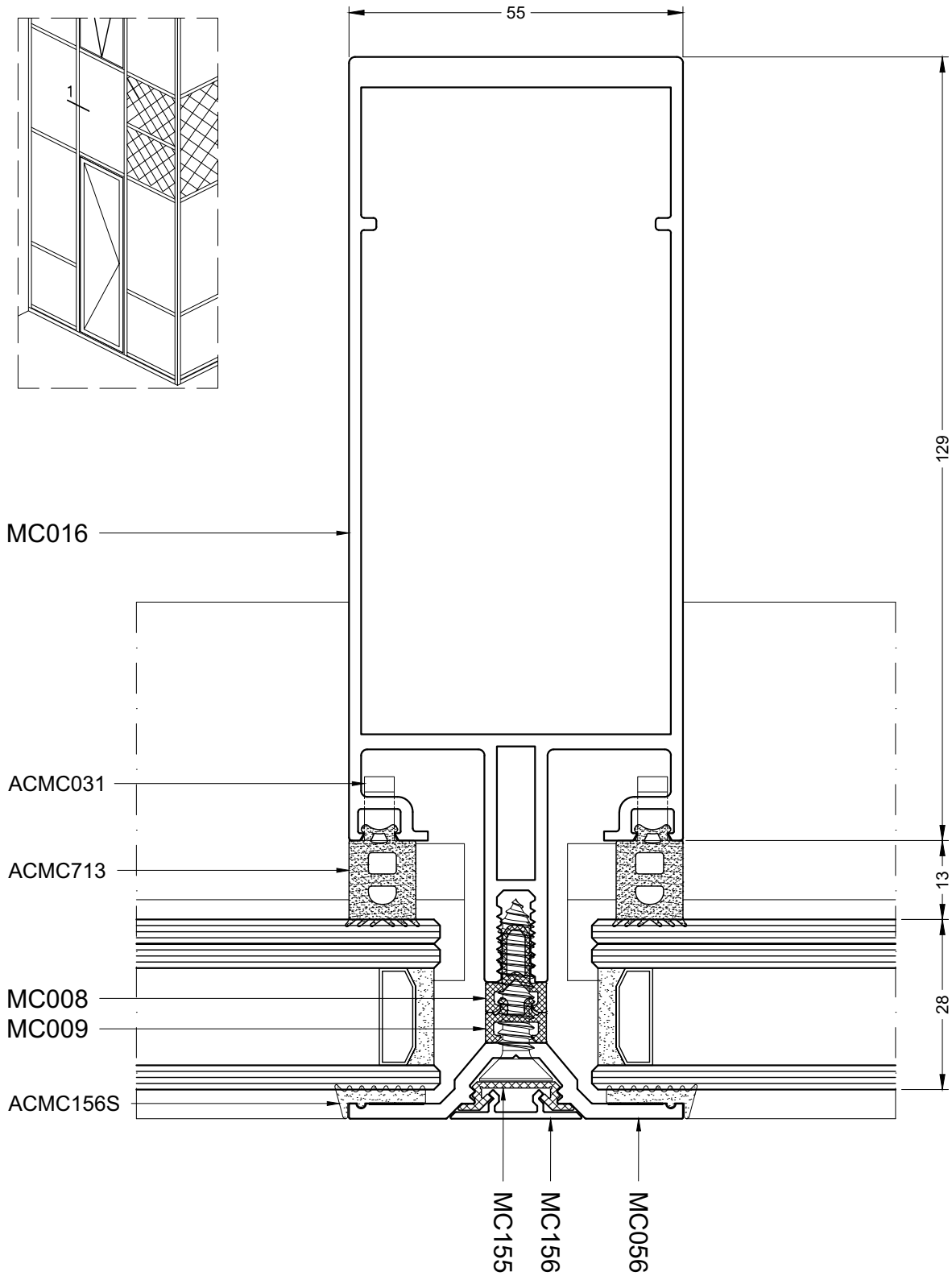
# MC-WALL

## 1.7



MCW\_1.7

## 1.8

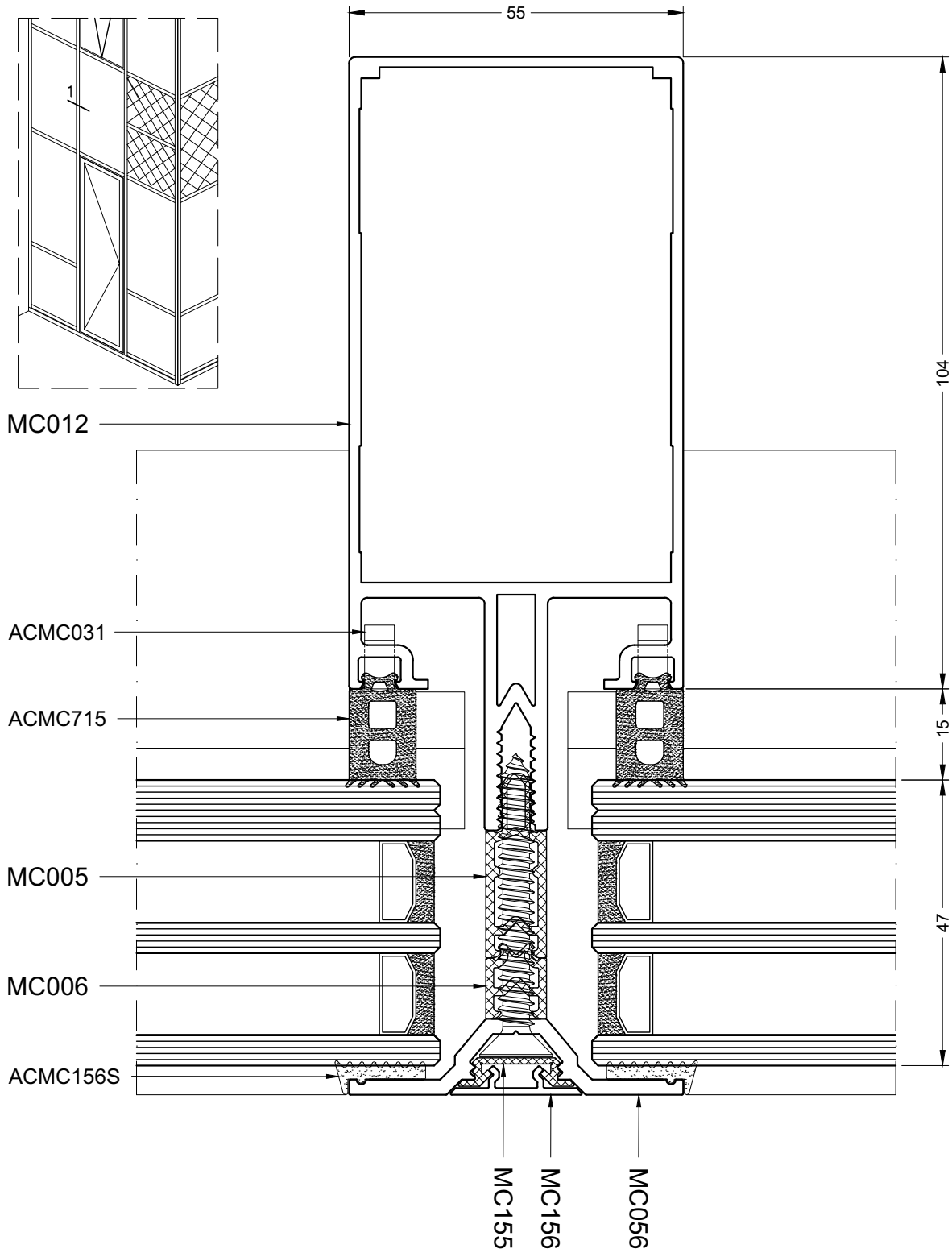


DOORSNEDETEKENINGEN - SECTION DE NOEUDS - PROFILKOMBINATIONEN - SECTION DRAWINGS

MCW\_1.8

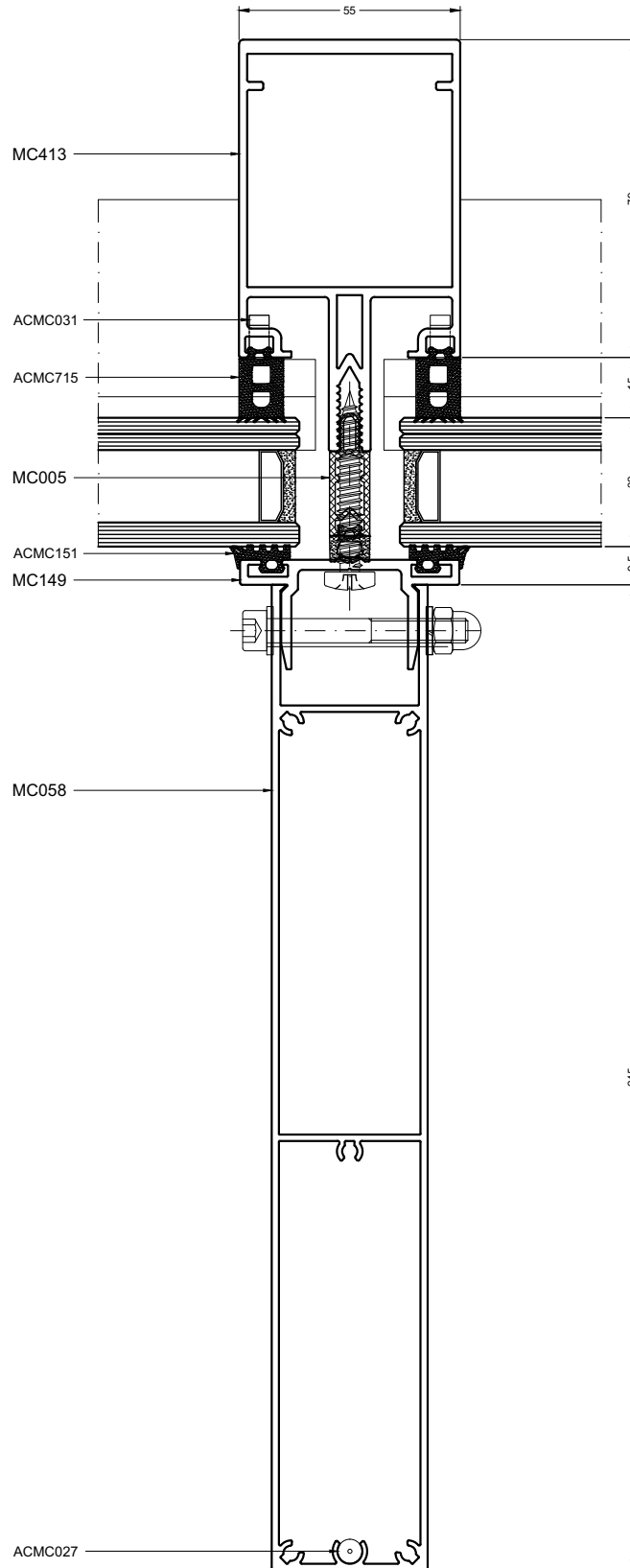
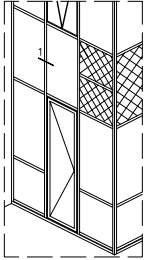
# MC-WALL

## 1.9



MCW\_1.9

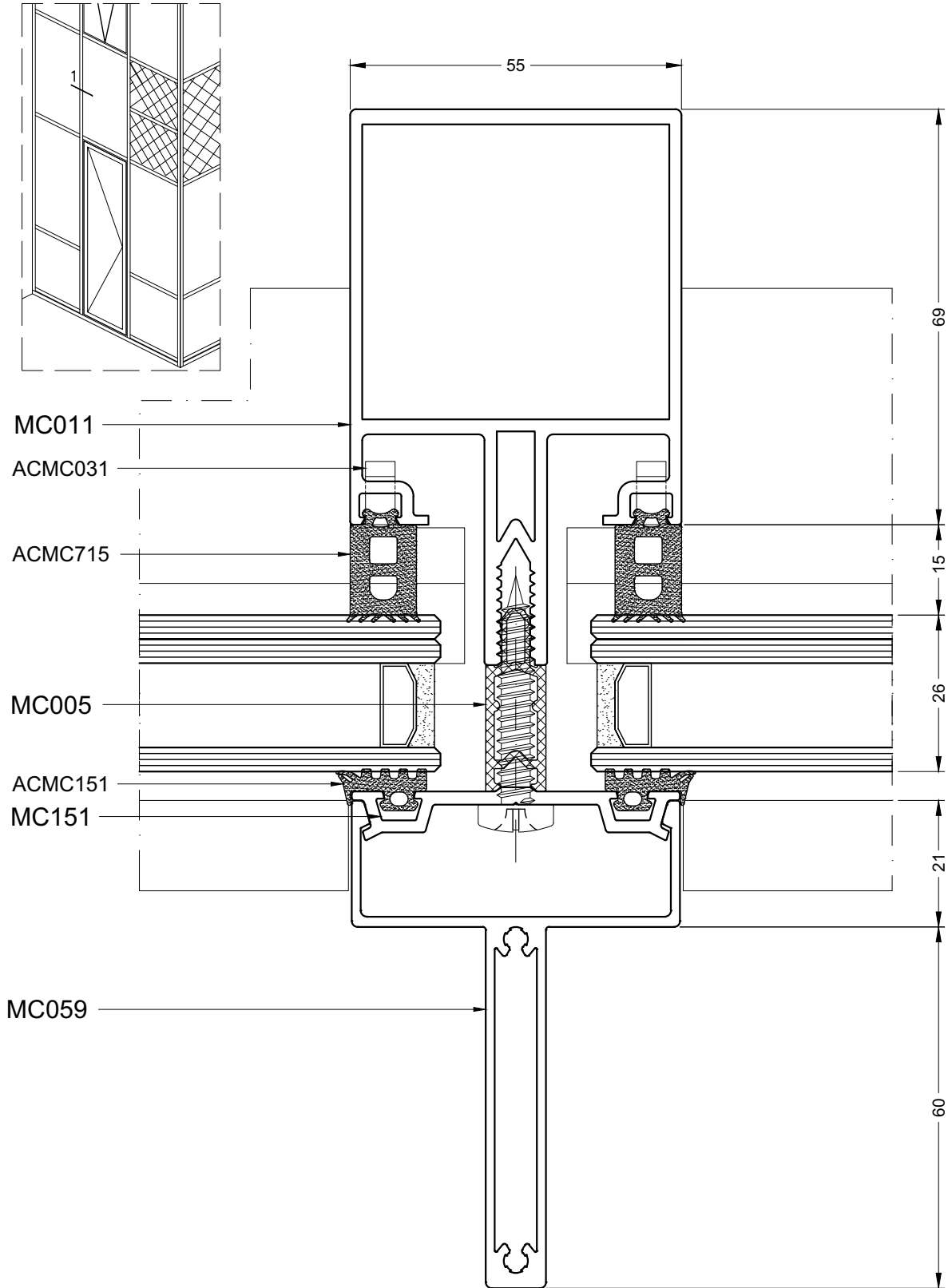
## 1.10



MCW\_1.10

# MC-WALL

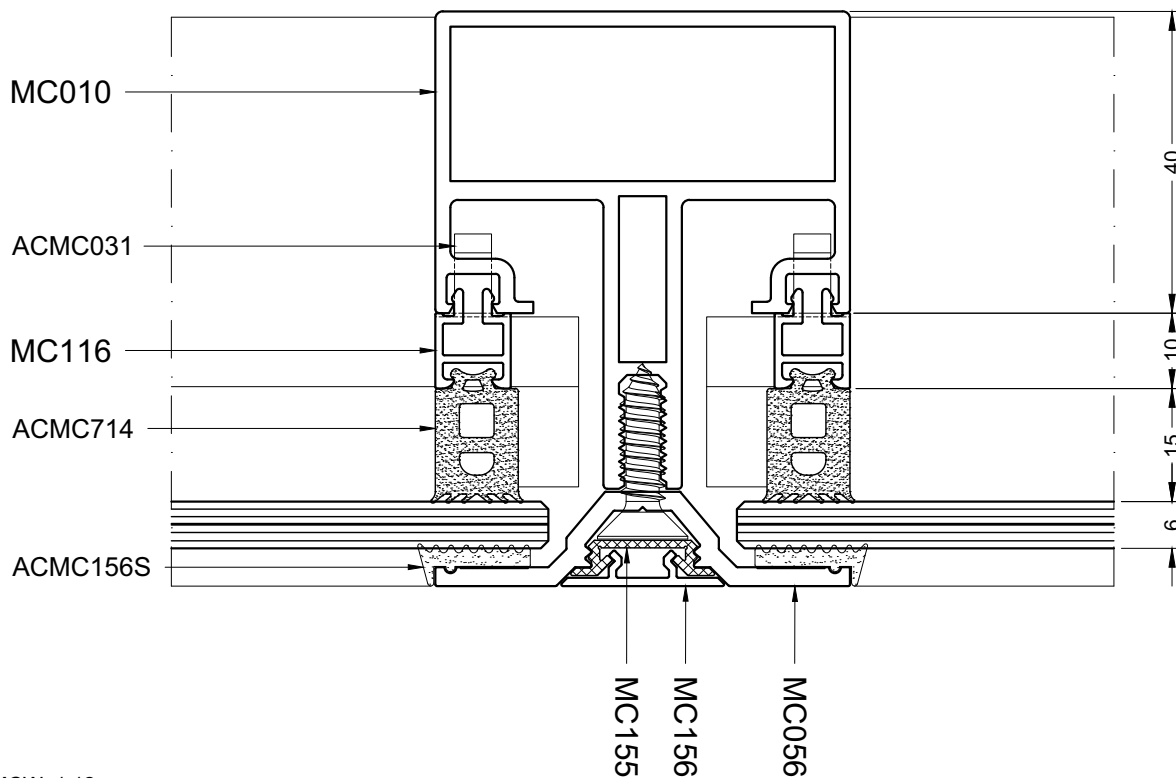
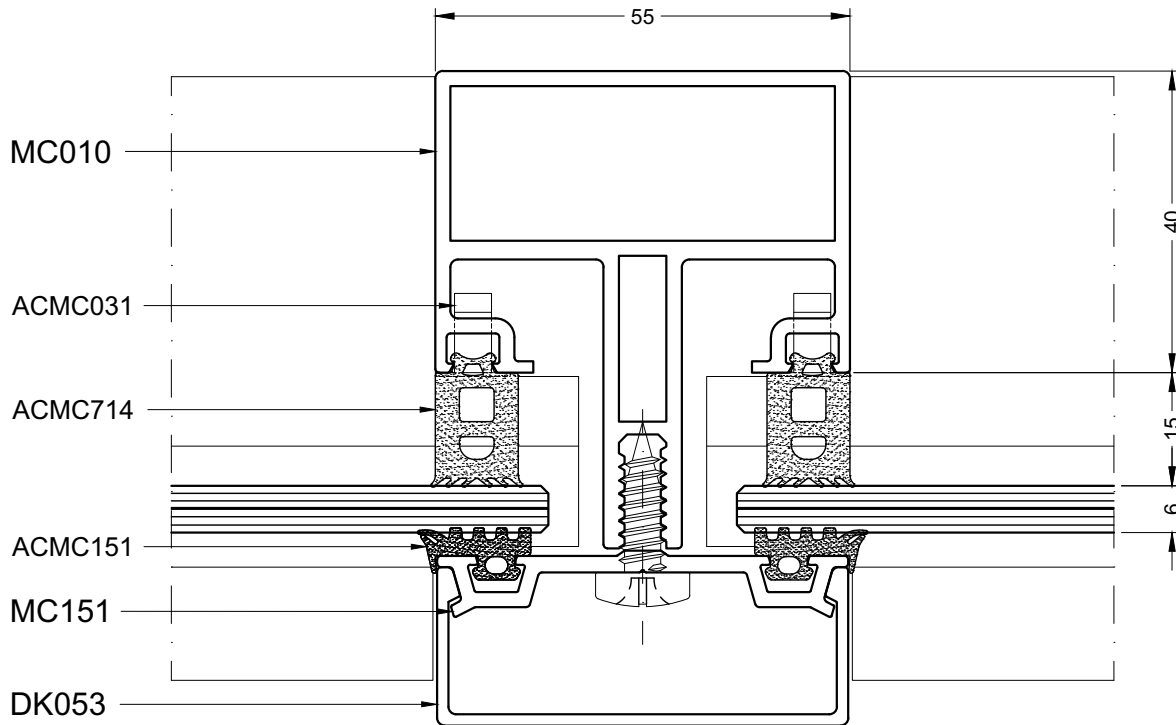
## 1.11



MCW\_1.11



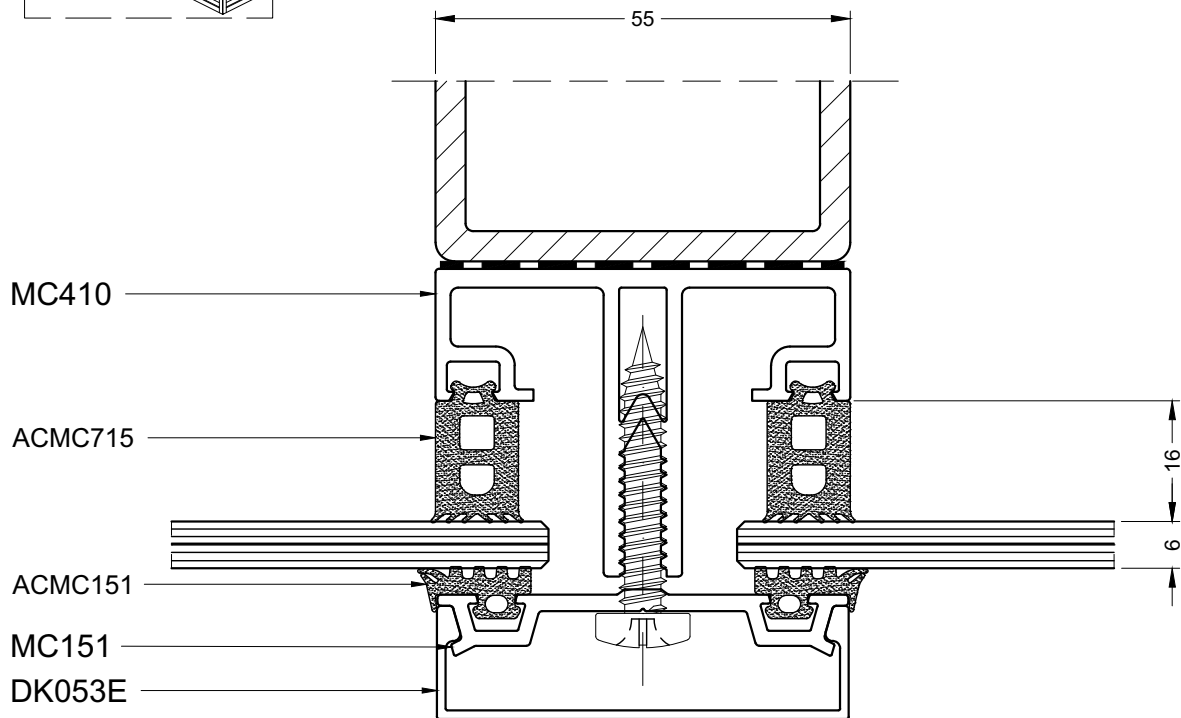
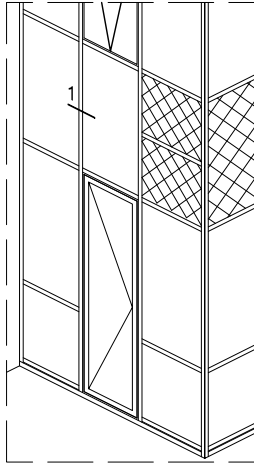
## 1.12



MCW\_1.12

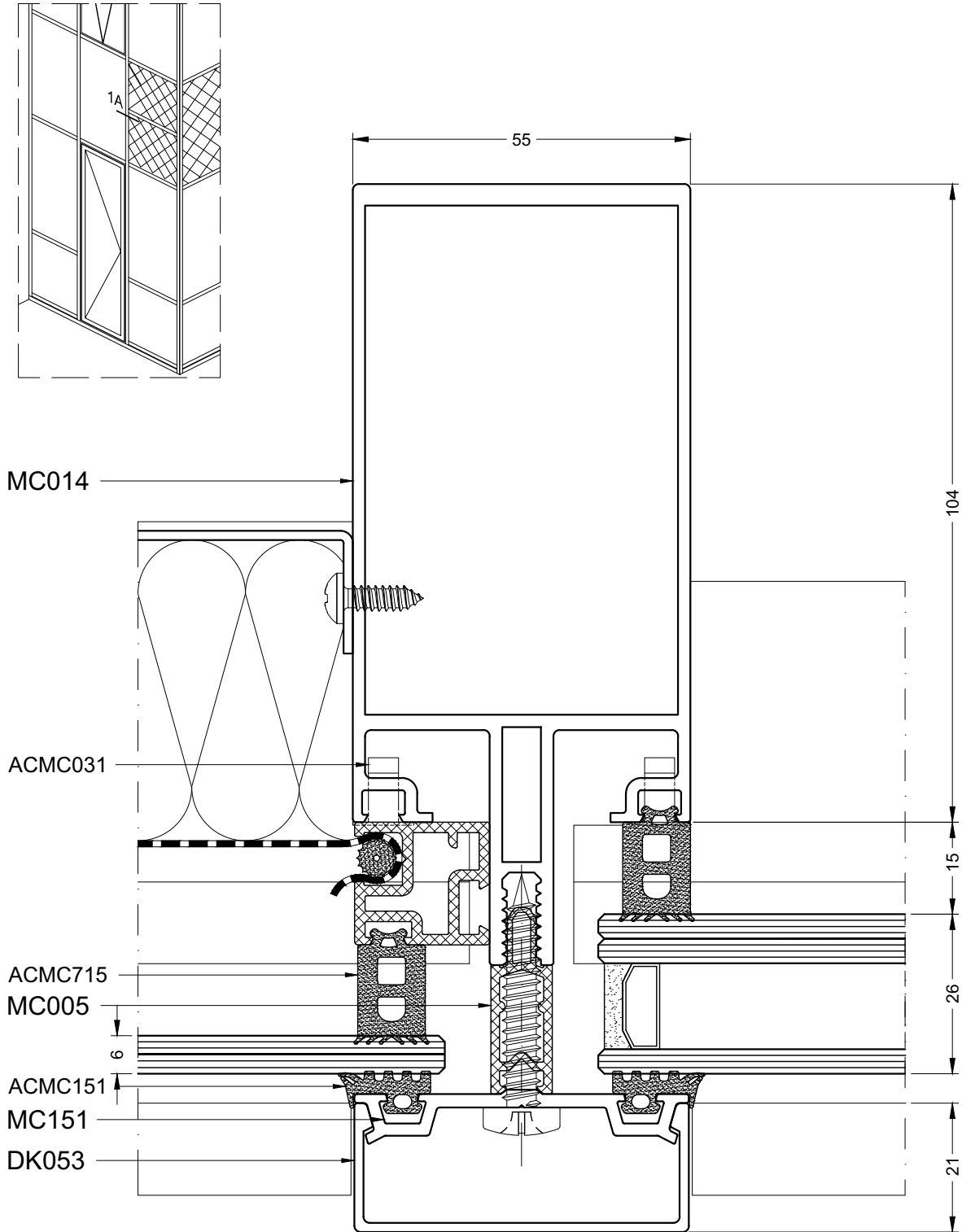
# MC-WALL

## 1.13



MCW\_1.13

## 1A.1

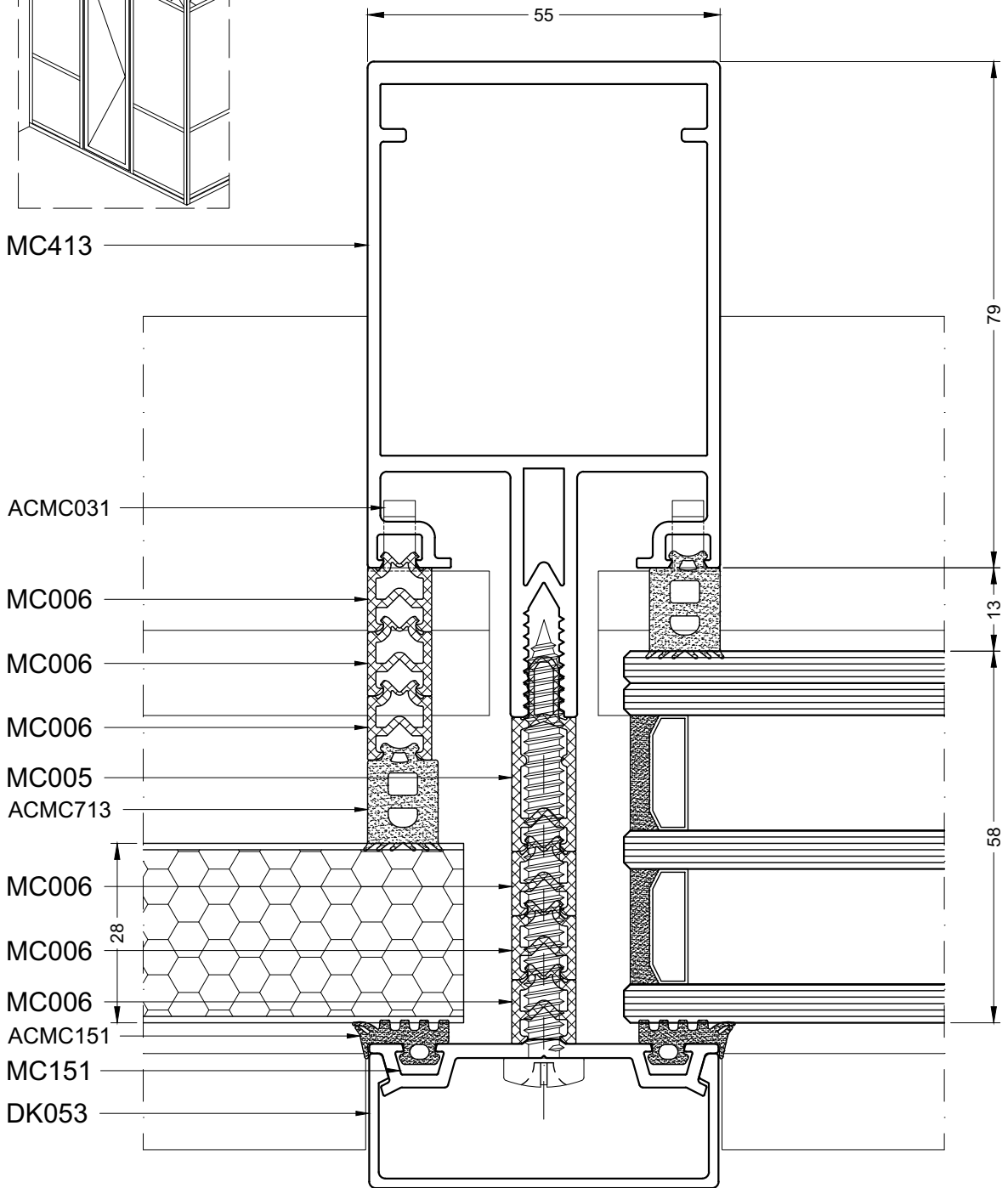
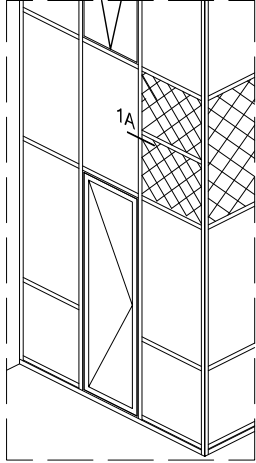


DOORSNEDETEKENINGEN - SECTION DE NOEUDS - PROFILKOMBINATIONEN - SECTION DRAWINGS

MCW\_1A.1

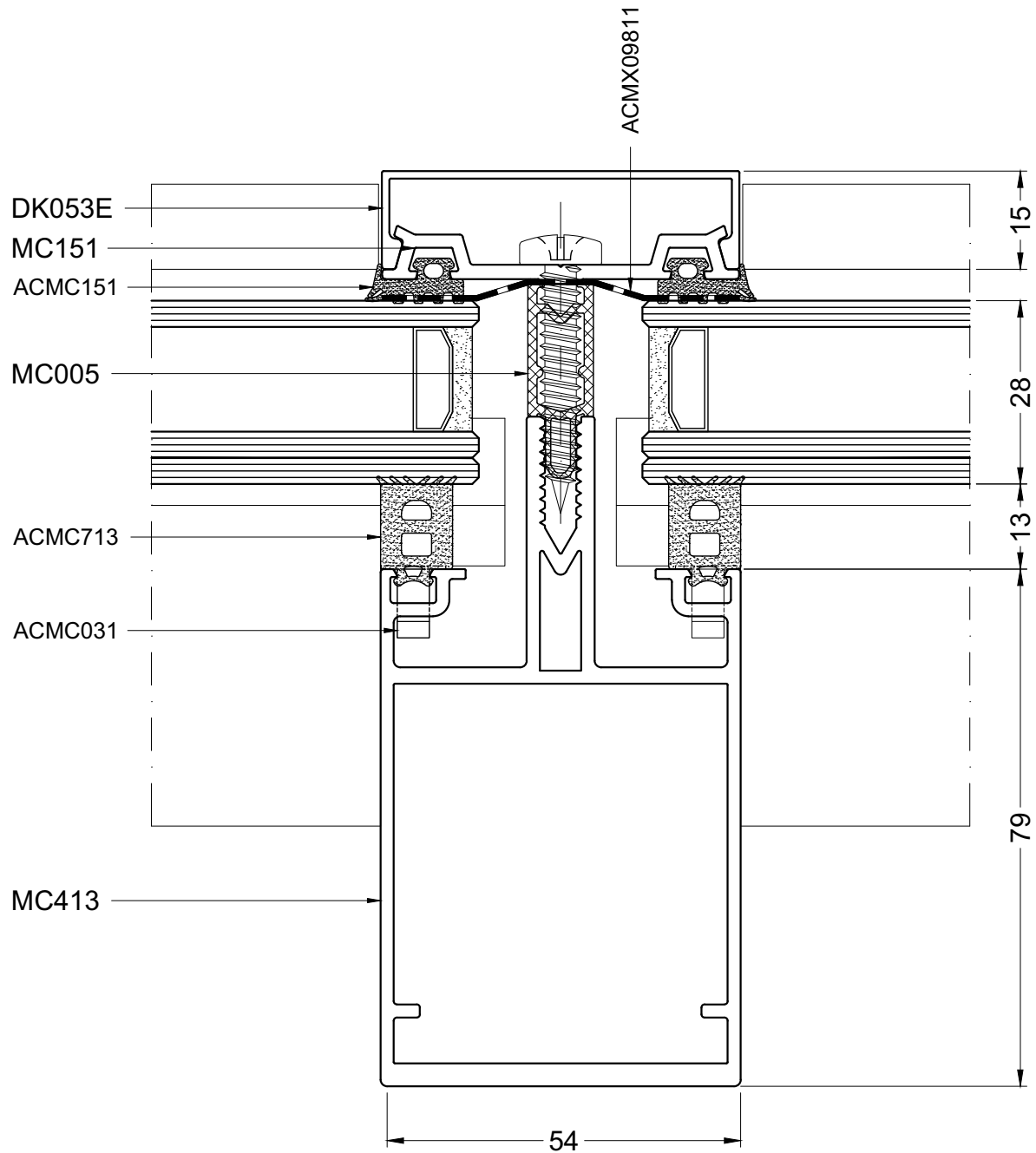
# MC-WALL

## 1A.2



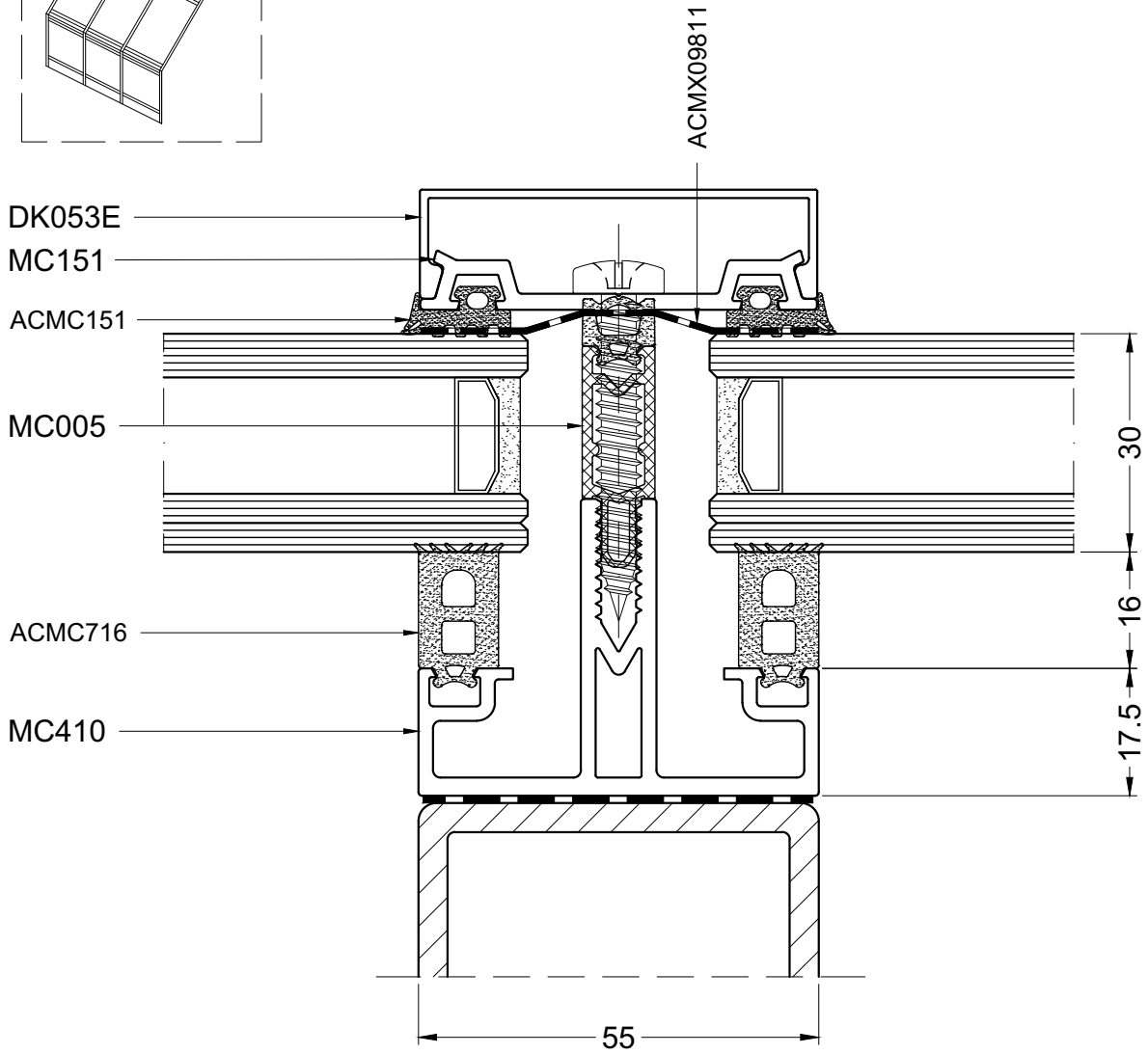
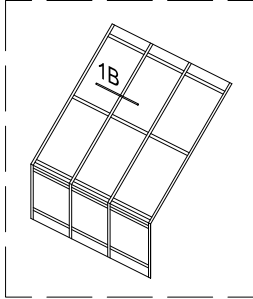
MCW\_1A.2

## 1B.1



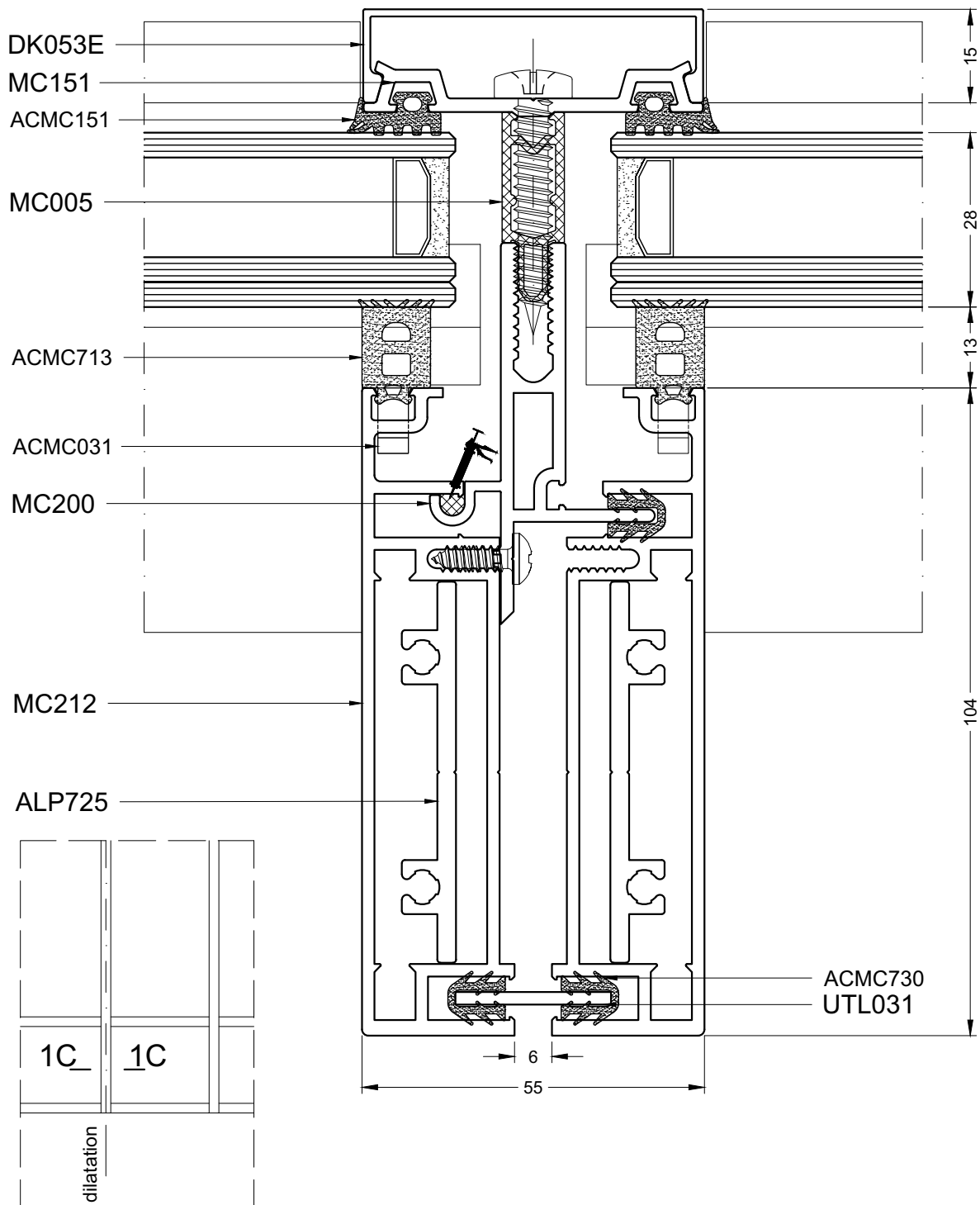
# MC-WALL

## 1B.2



MCW\_1B.2

## 1C



MCW\_1C

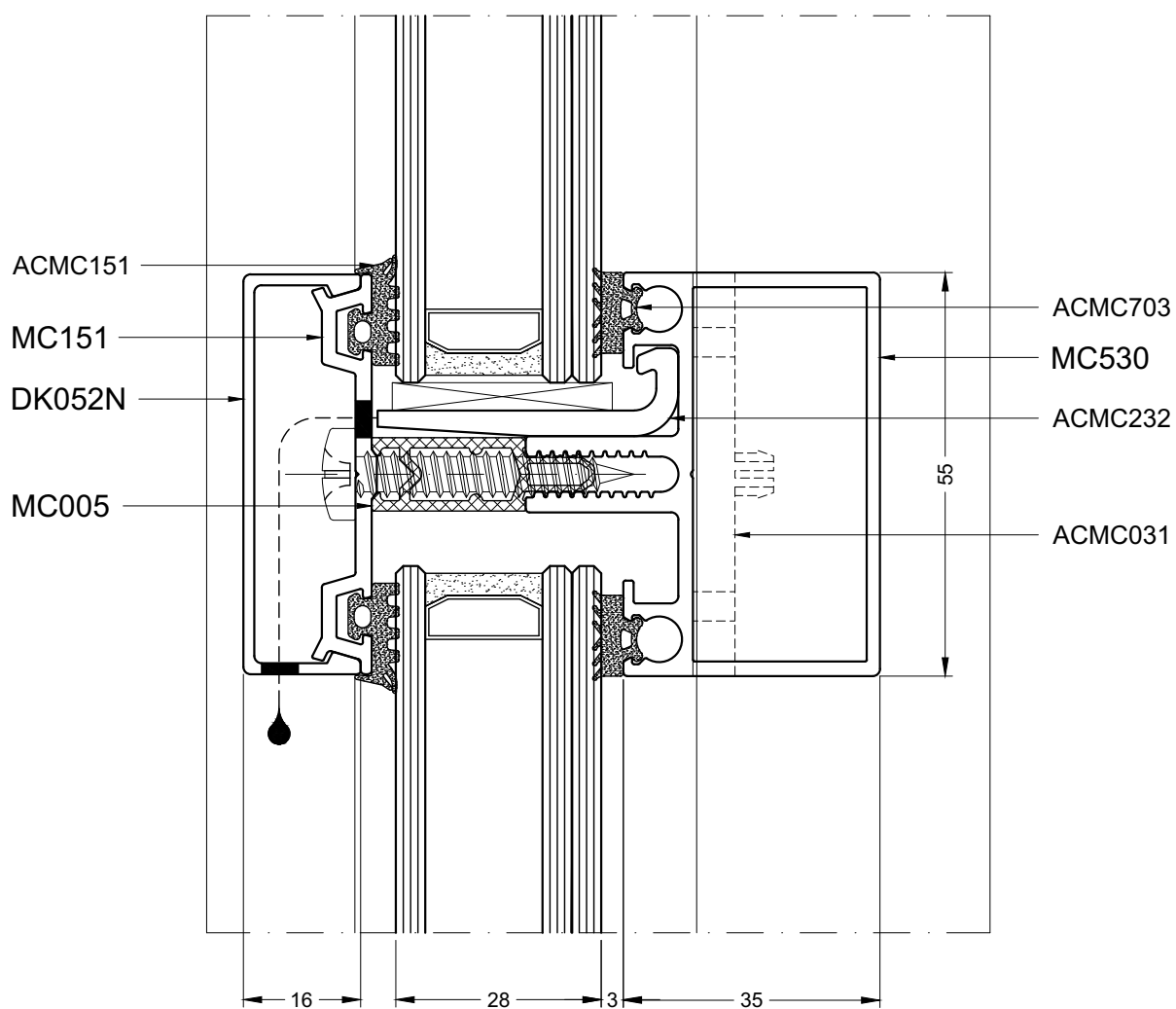
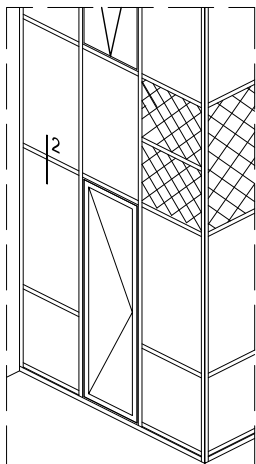
**aliplast**  
member of



18/1/18

# MC-WALL

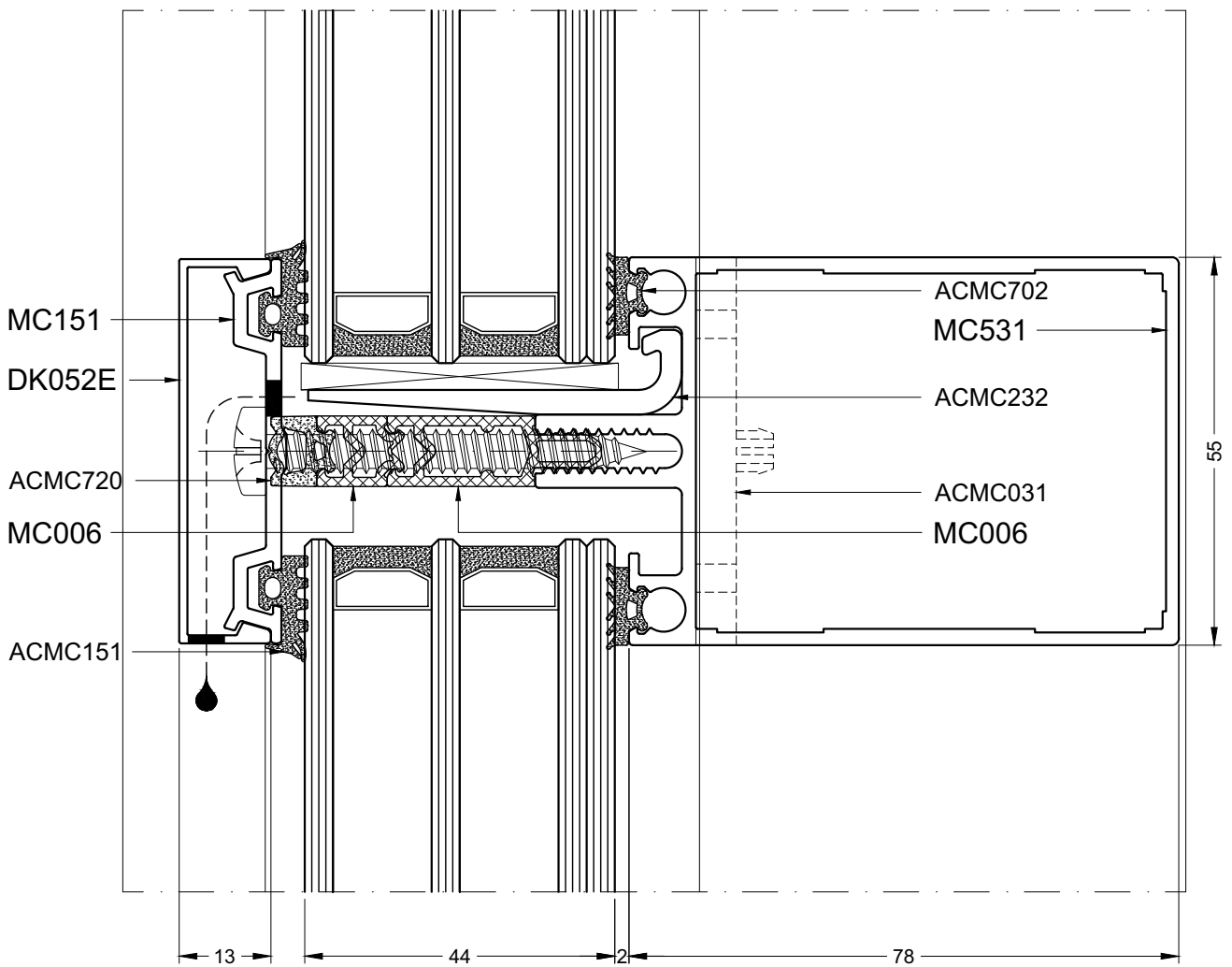
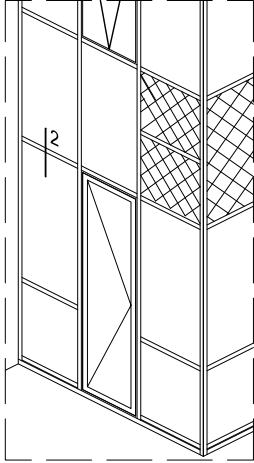
## 2.1



MCW\_2.1



## 2.2

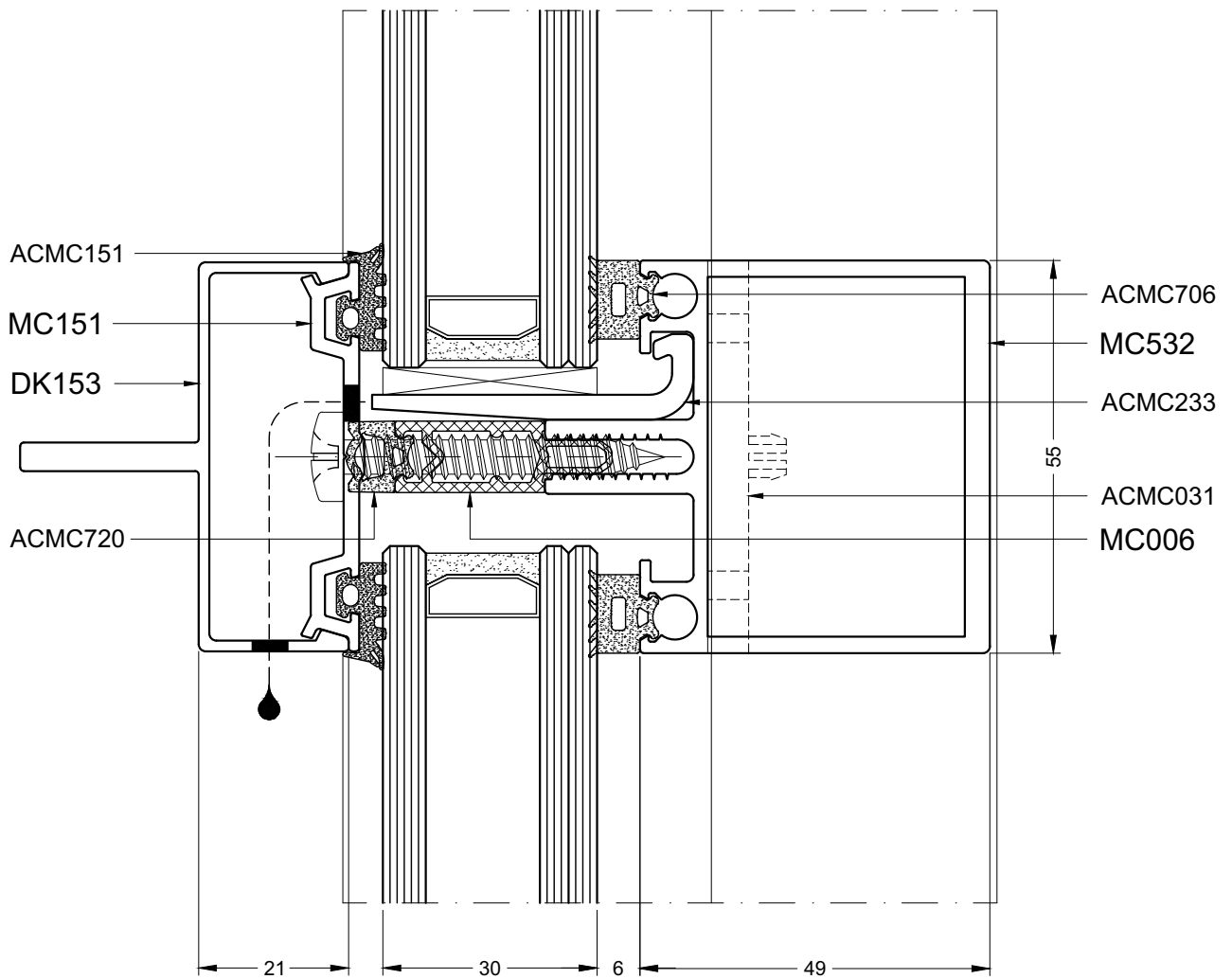
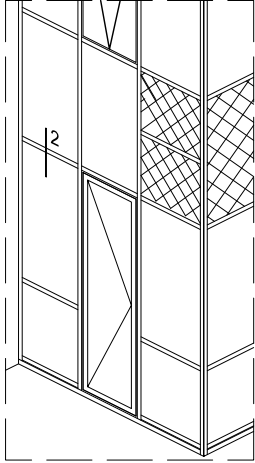


DOORSNEDETEKENINGEN - SECTION DE NOEUDS - PROFILKOMBINATIONEN - SECTION DRAWINGS

MCW\_2.2

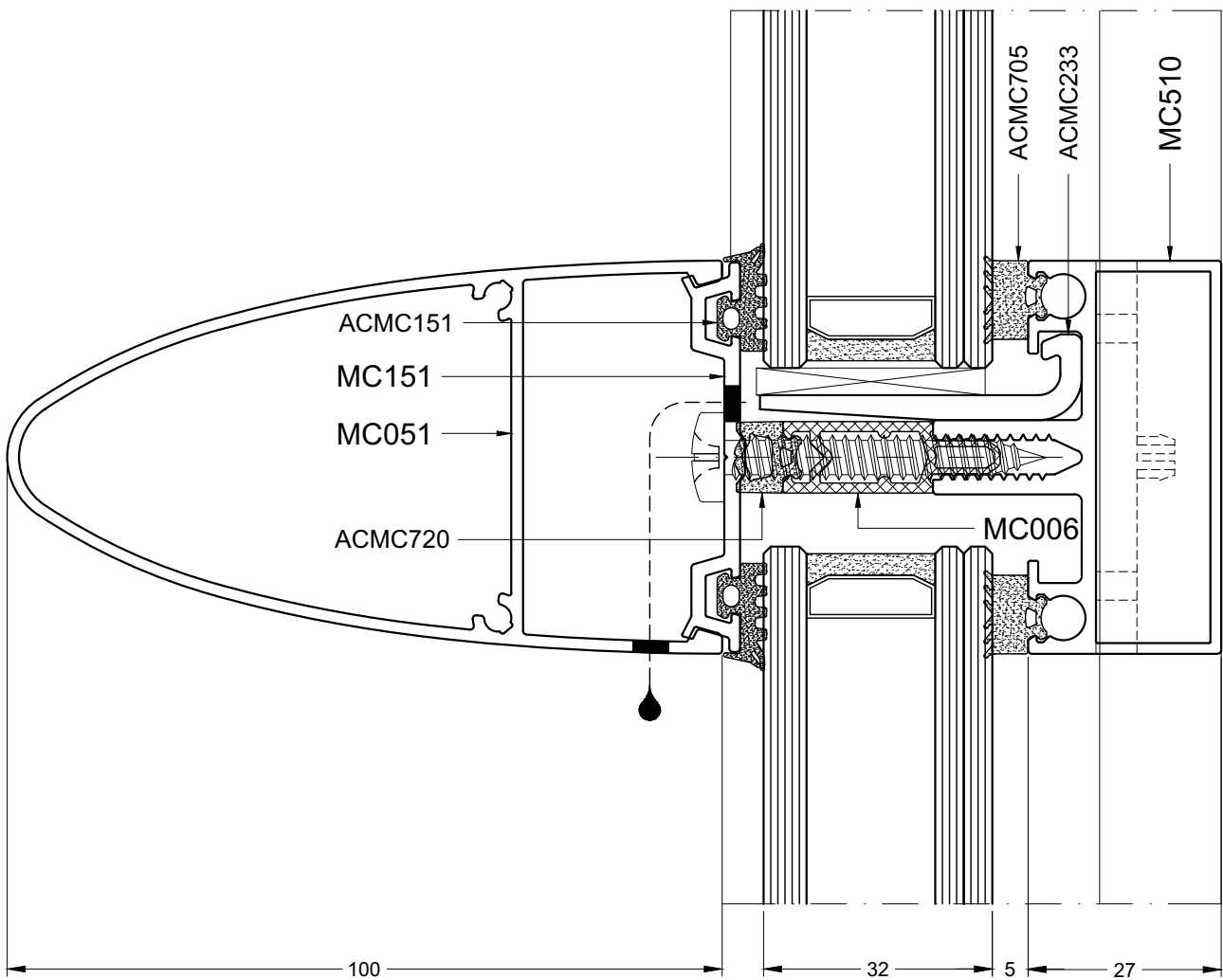
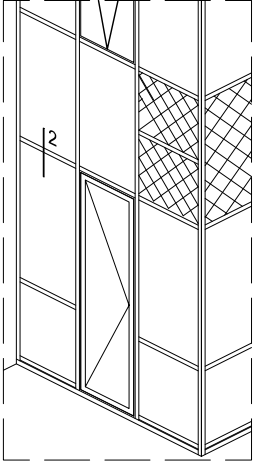
# MC-WALL

## 2.3



MCW\_2.3

## 2.4

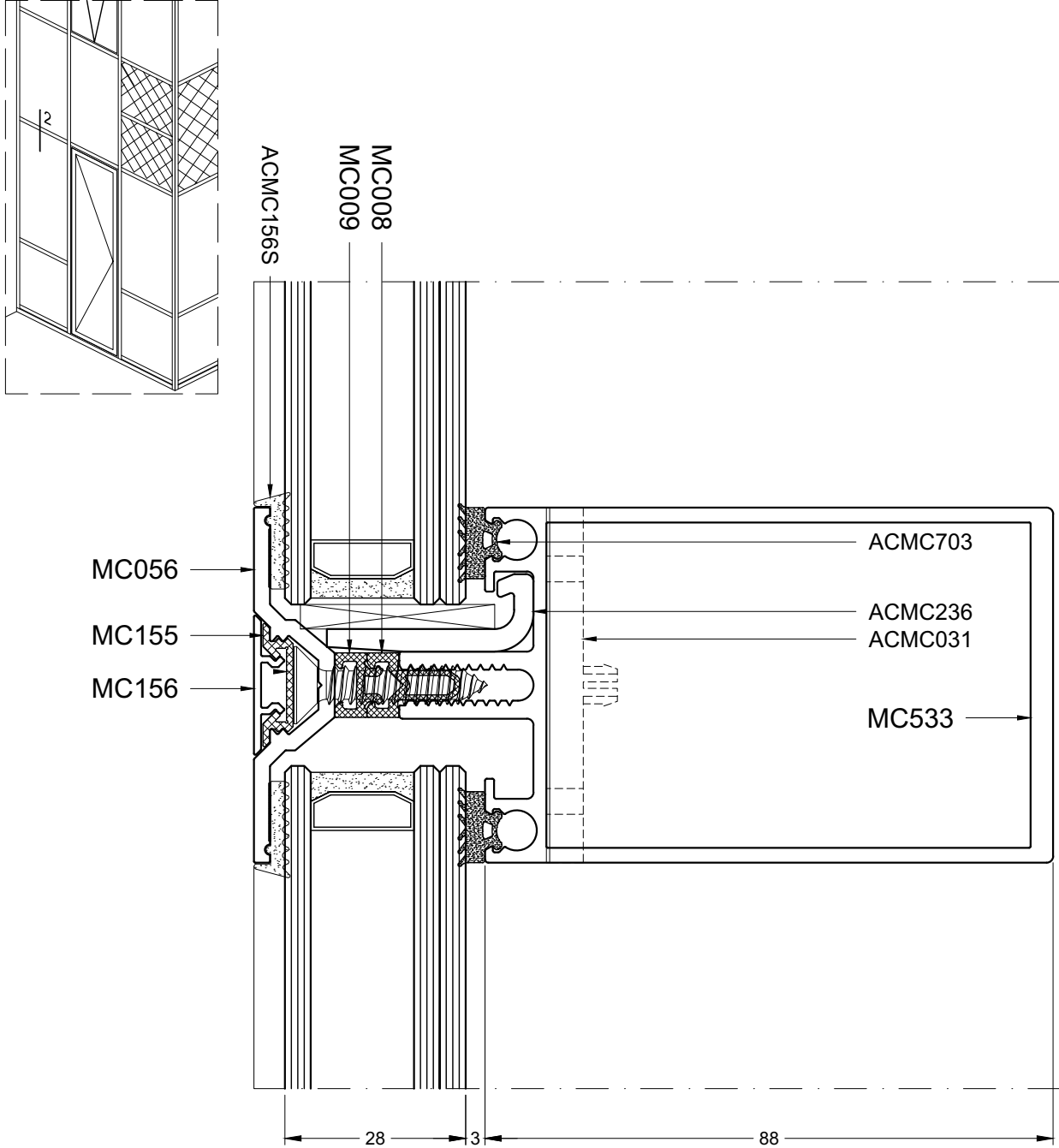


DOORSNEDETEKENINGEN - SECTION DE NOEUDS - PROFILKOMBINATIONEN - SECTION DRAWINGS

MCW\_2.4

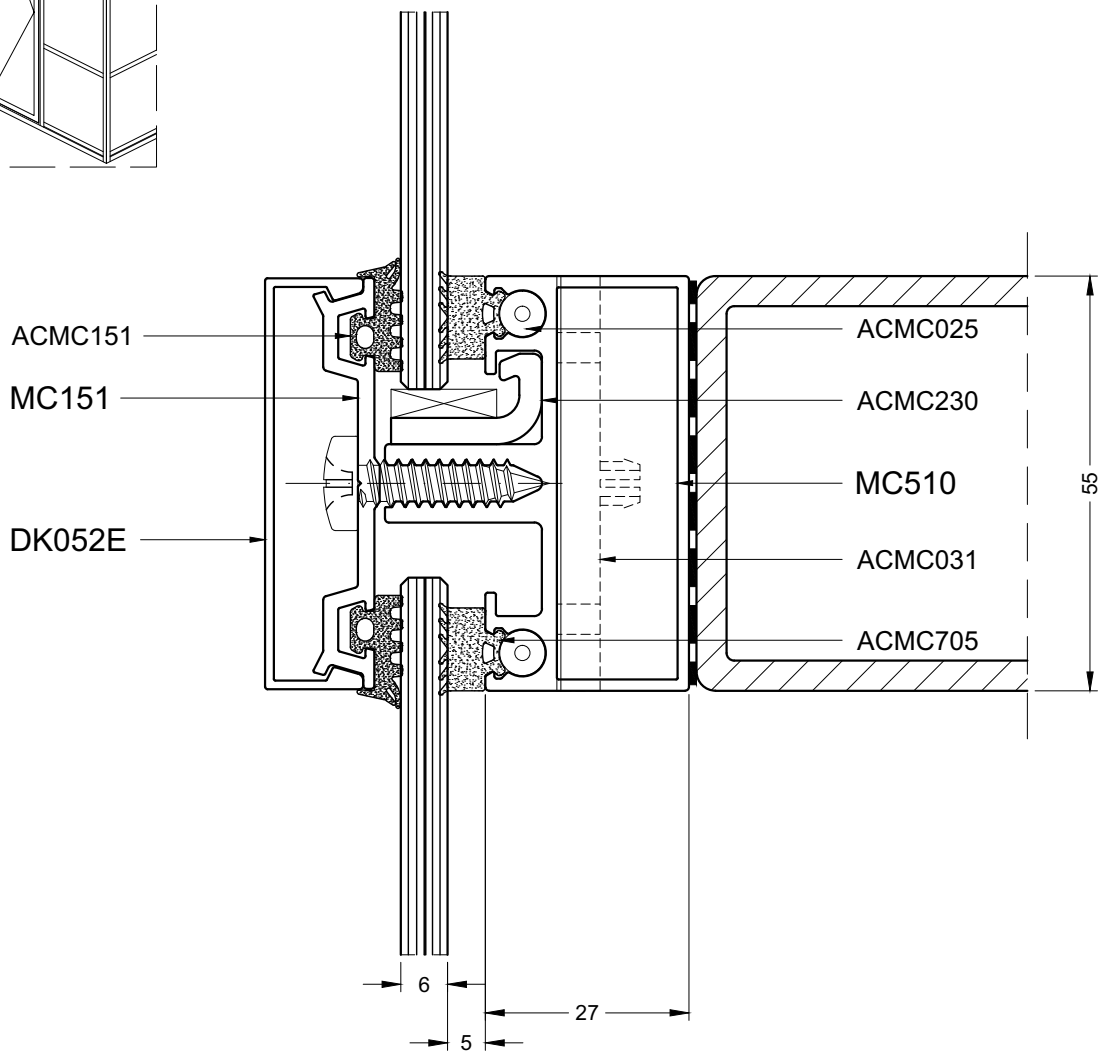
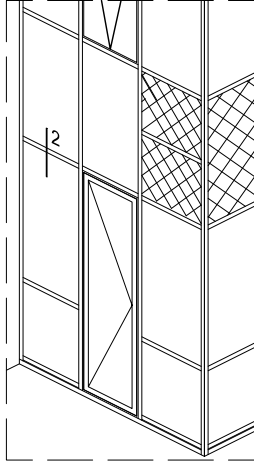
# MC-WALL

## 2.5



MCW\_2.5

## 2.6

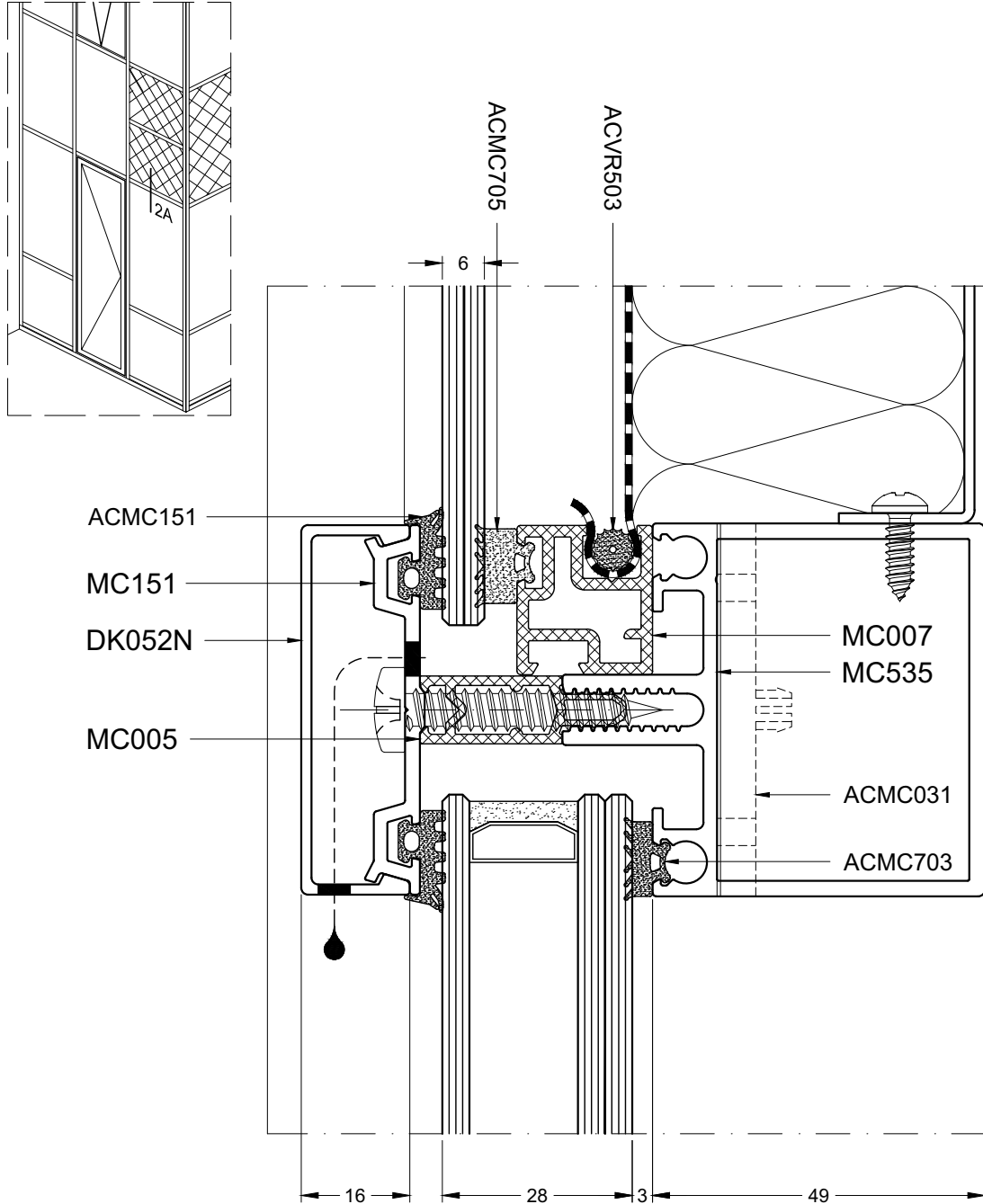


DOORSNEDETEKENINGEN - SECTION DE NOEUDS - PROFILKOMBINATIONEN - SECTION DRAWINGS

MCW\_2.6

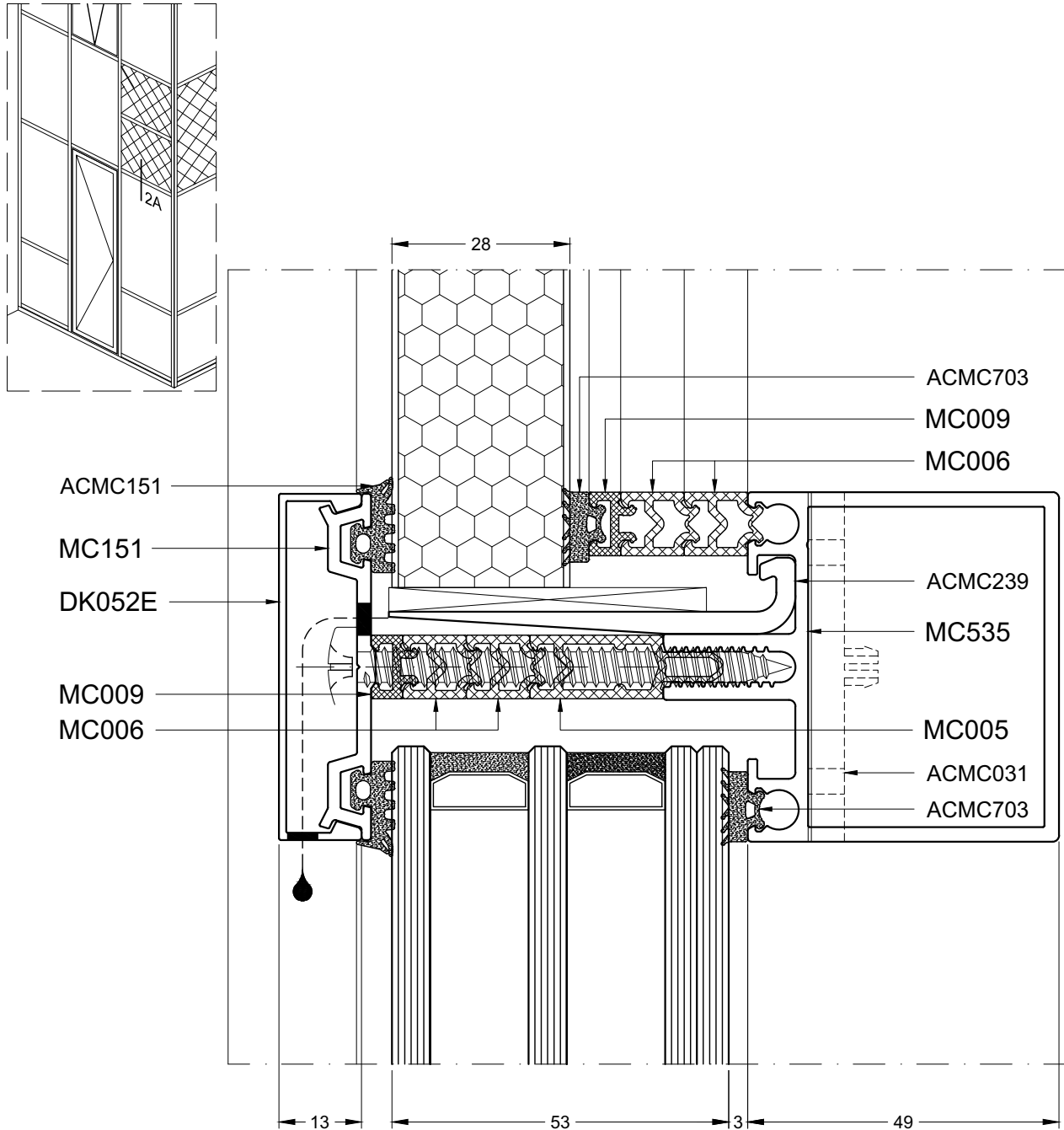
# MC-WALL

## 2A.1



MCW\_2A.1

## 2A.2

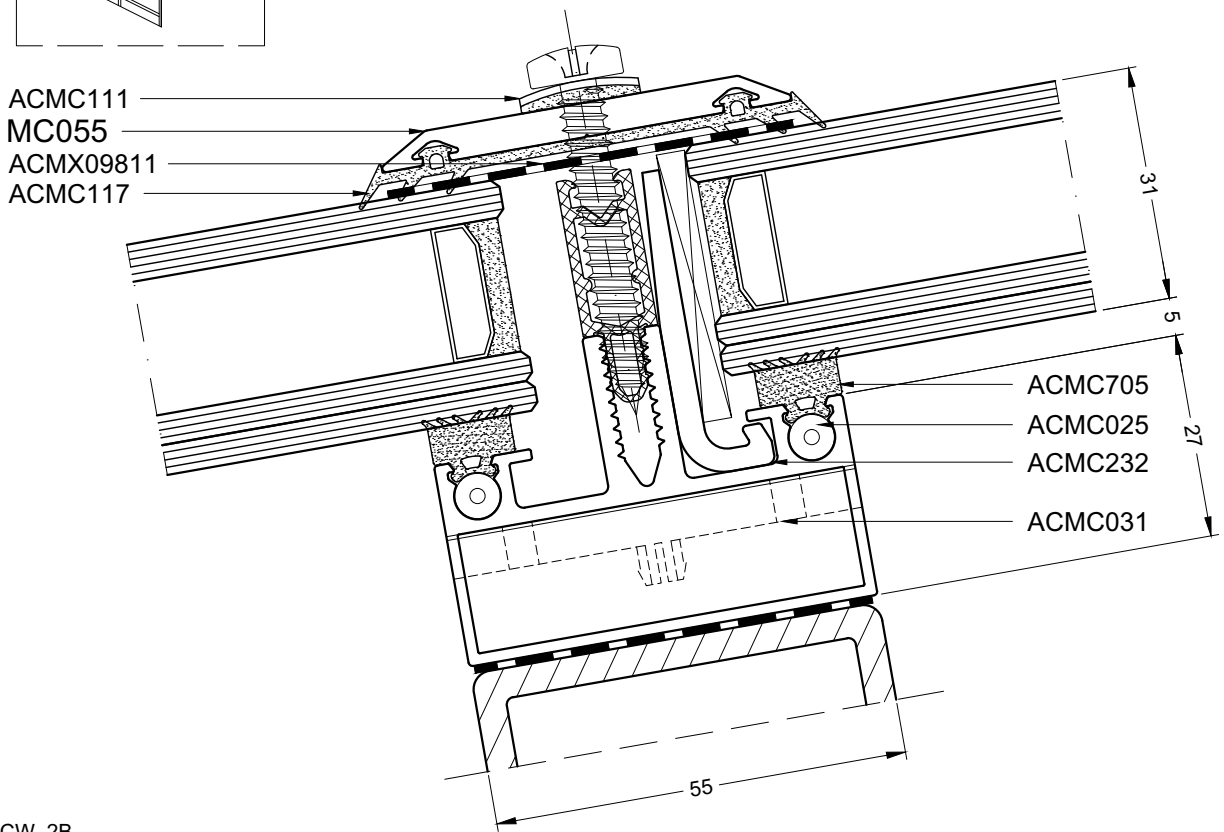
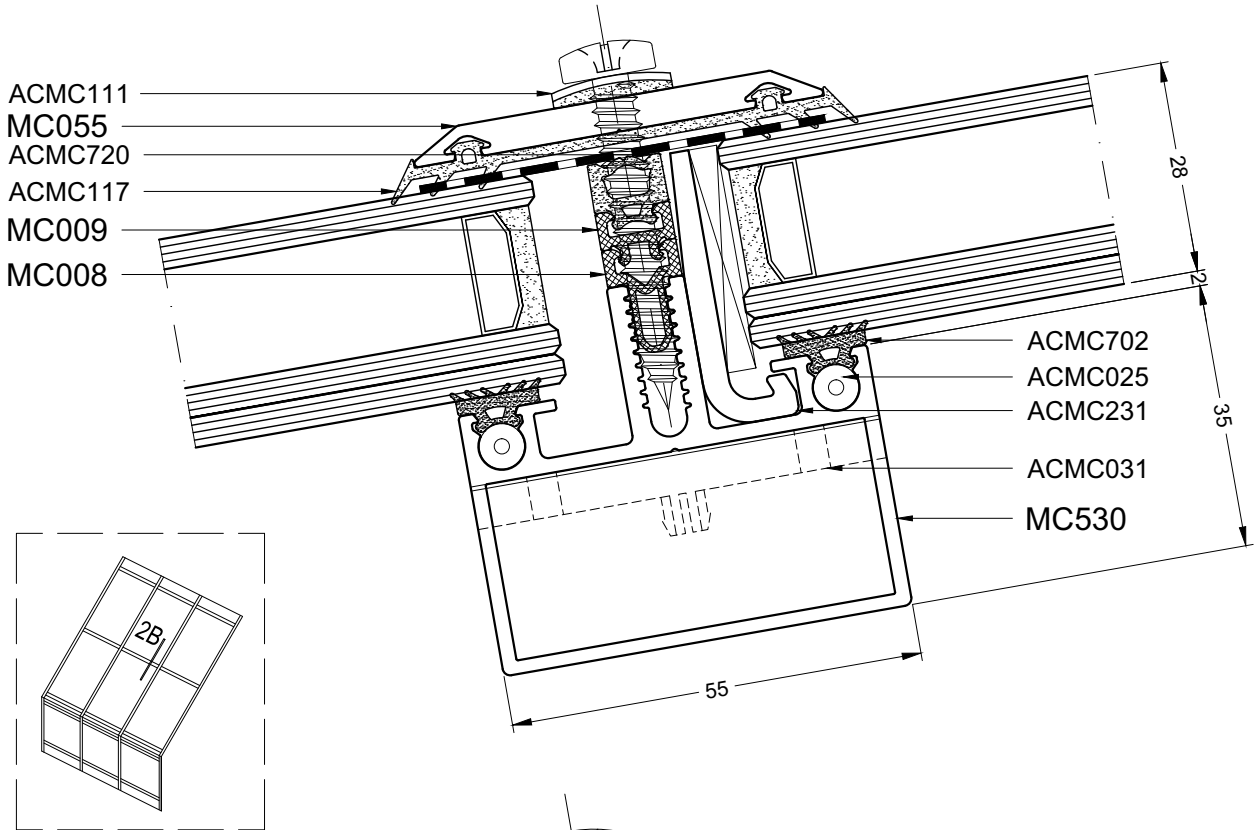


DOORSNEDETEKENINGEN - SECTION DE NOEUDS - PROFILKOMBINATIONEN - SECTION DRAWINGS

MCW\_2A.2

# MC-WALL

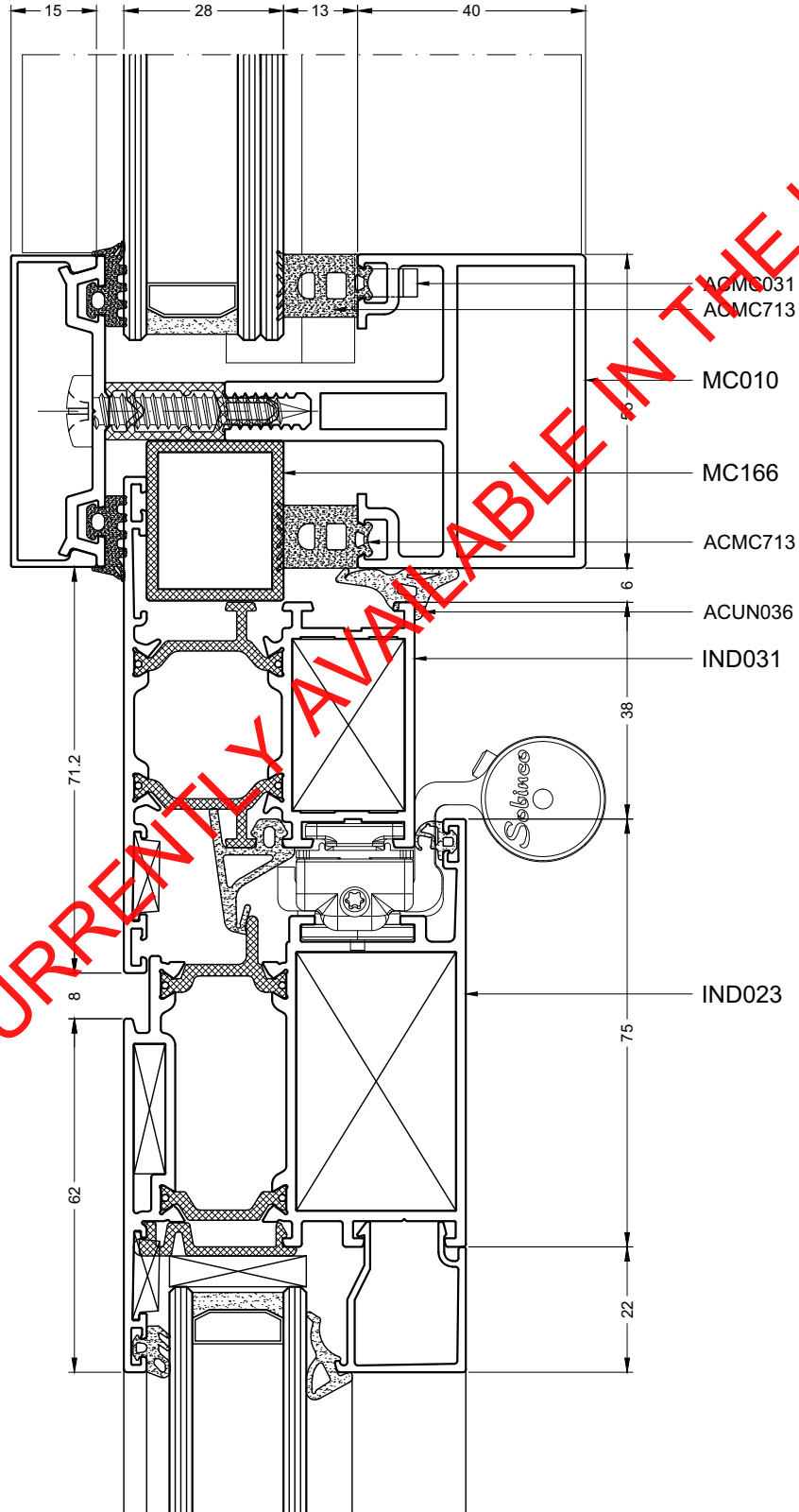
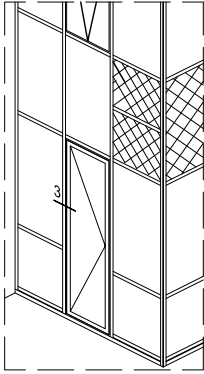
## 2B



MCW\_2B



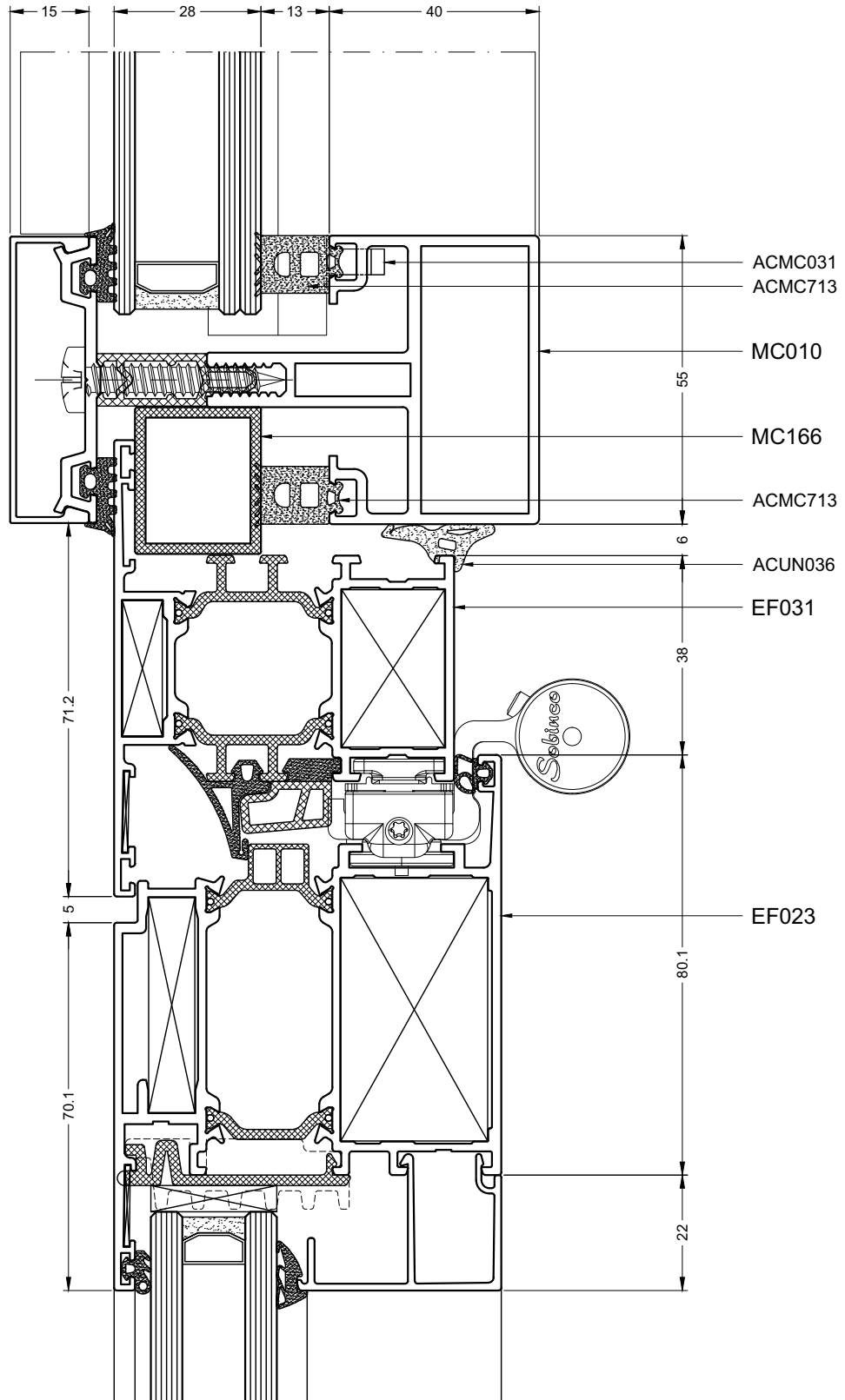
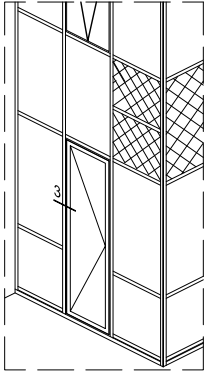
## 3.1



MCW\_3.1

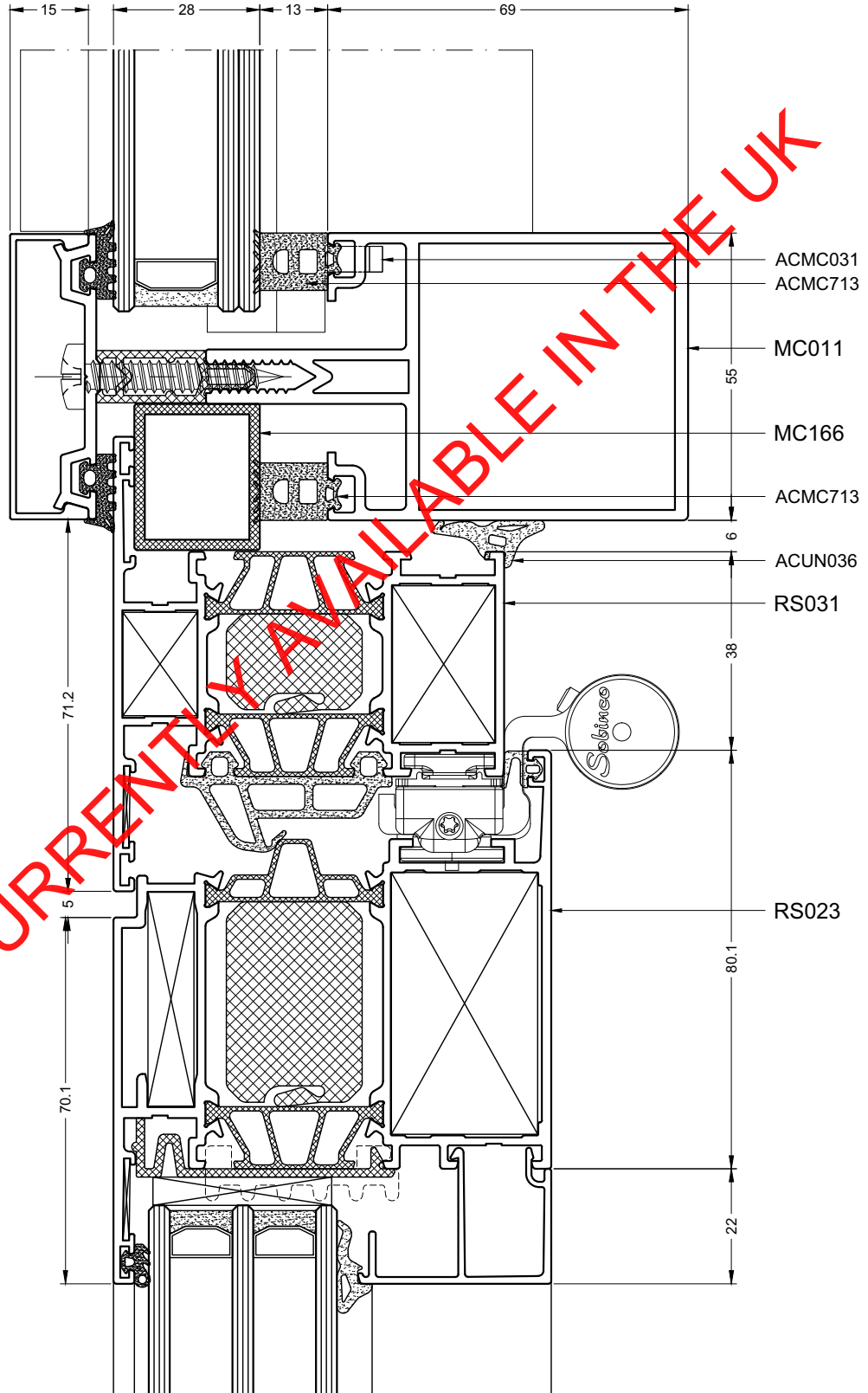
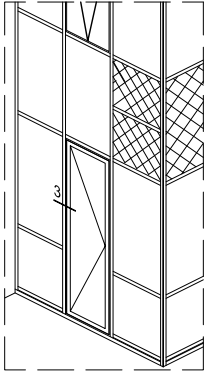
# MC-WALL

## 3.2



MCW\_3.2

## 3.3

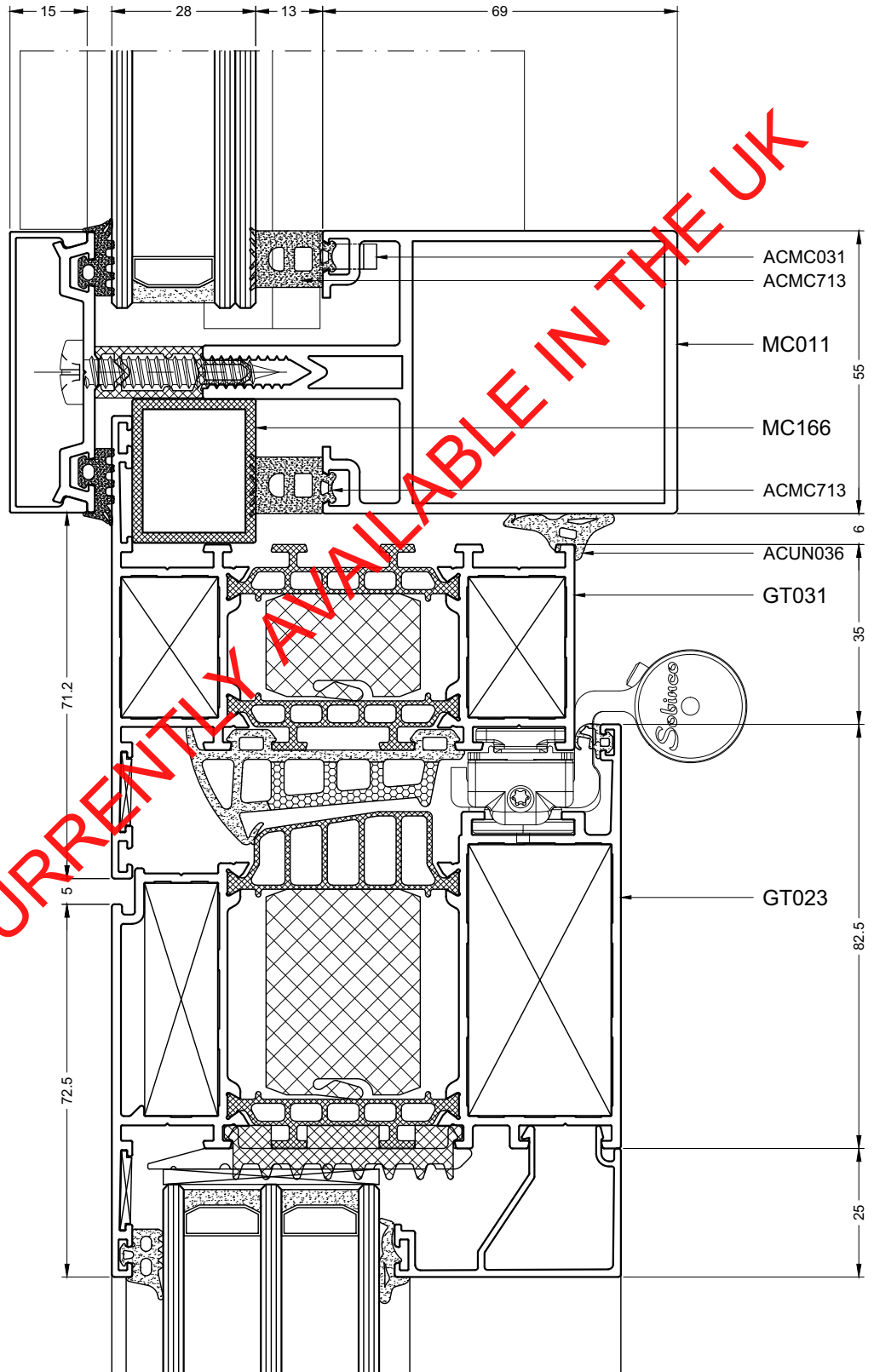
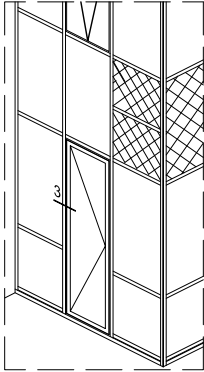


DOORSNEDETEKENINGEN - SECTION DE NOEUDS - PROFILKOMBINATIONEN - SECTION DRAWINGS

MCW\_3.3

# MC-WALL

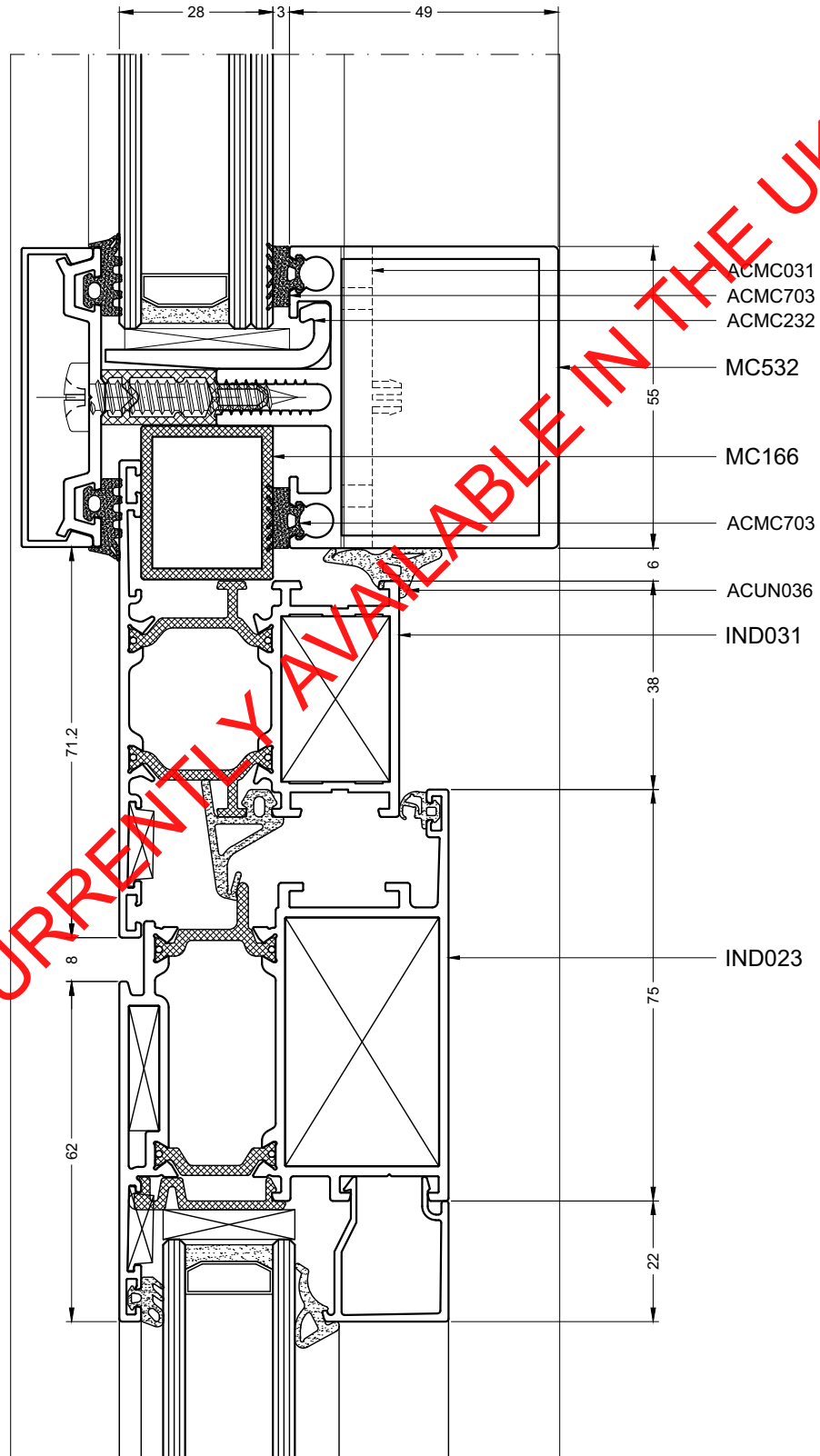
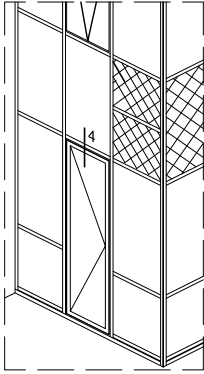
## 3.4



NOT CURRENTLY AVAILABLE IN THE UK

MCW\_3.4

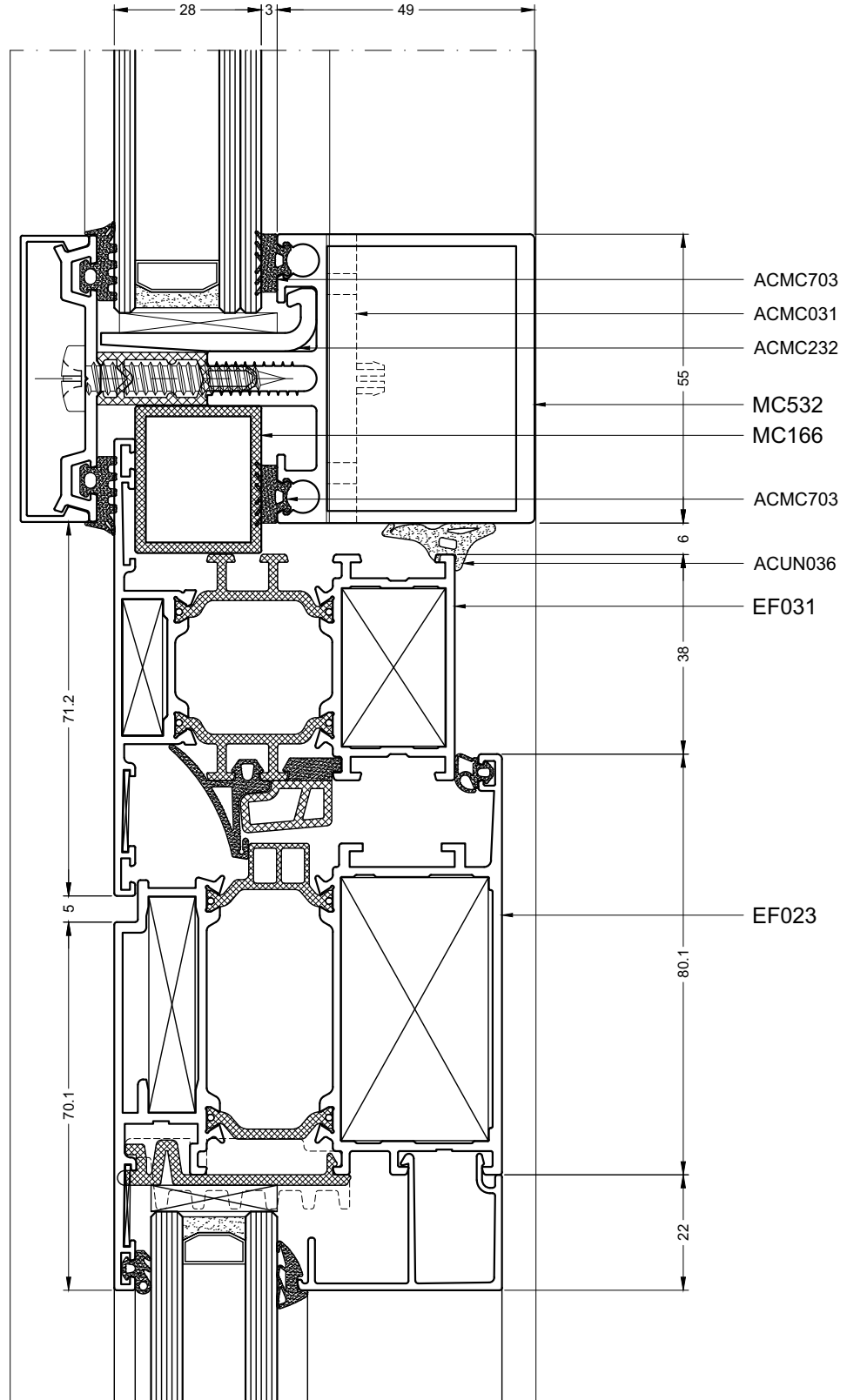
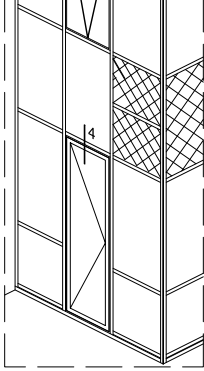
## 4.1



MCW\_4.1

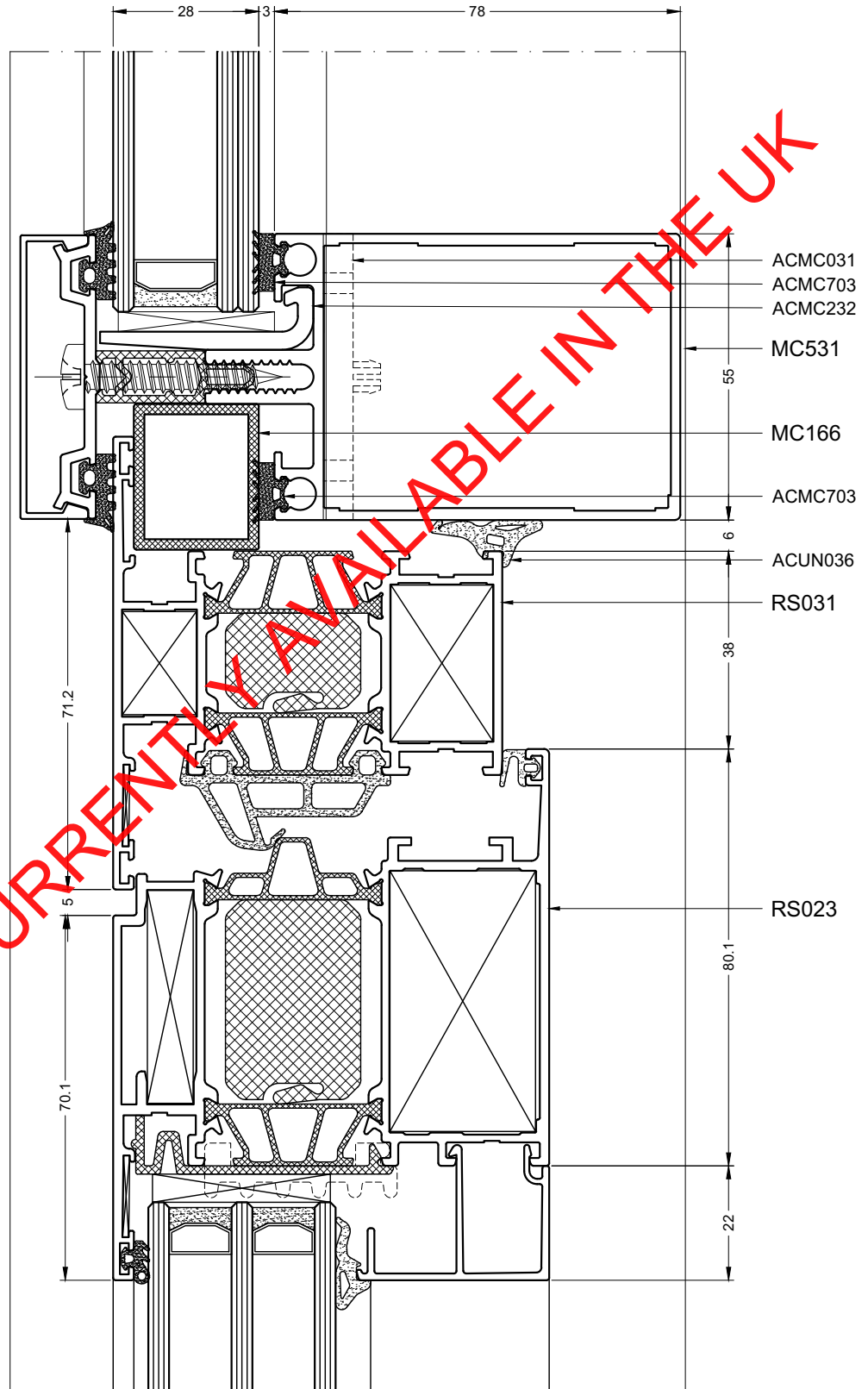
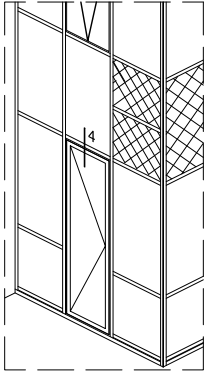
# MC-WALL

## 4.2



MCW\_4.2

## 4.3

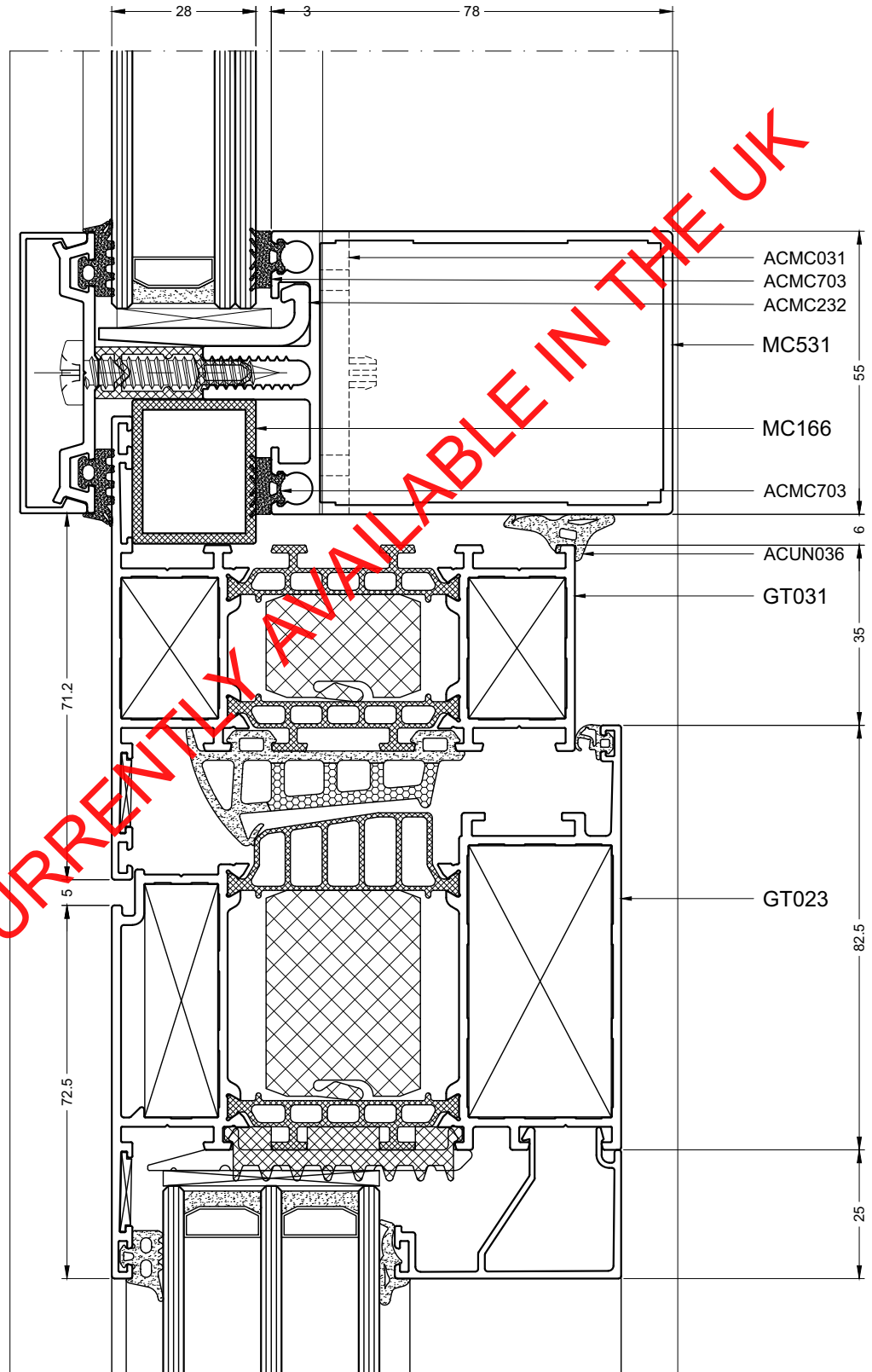
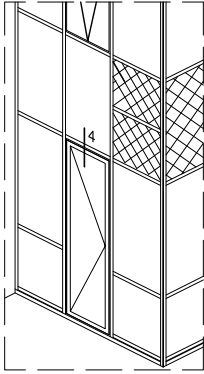


DOORSNEDETEKENINGEN - SECTION DE NOEUDS - PROFILKOMBINATIONEN - SECTION DRAWINGS

MCW\_4.3

# MC-WALL

## 4.4

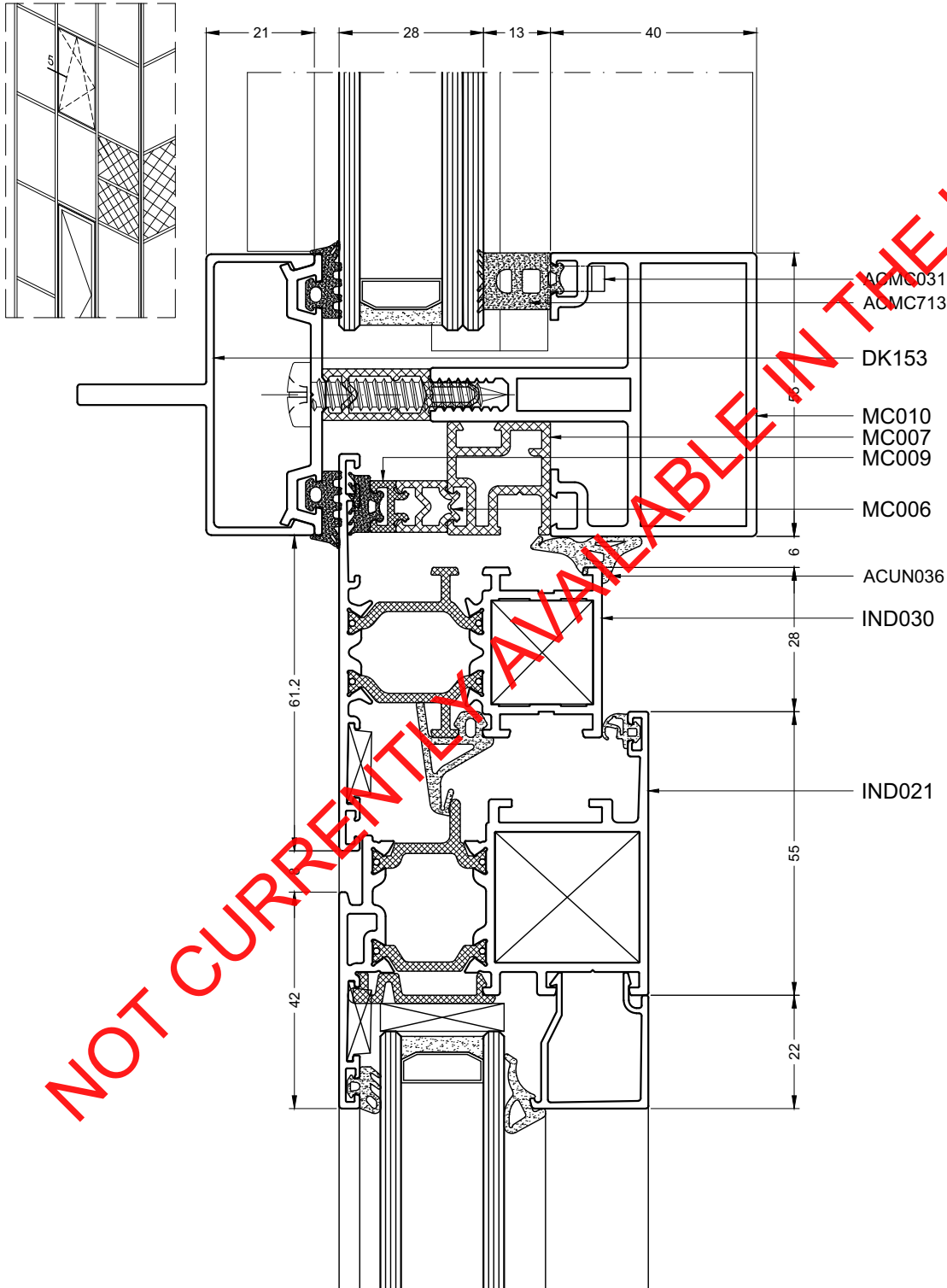


NOT CURRENTLY AVAILABLE IN THE UK

MCW\_4.4



## 5.1

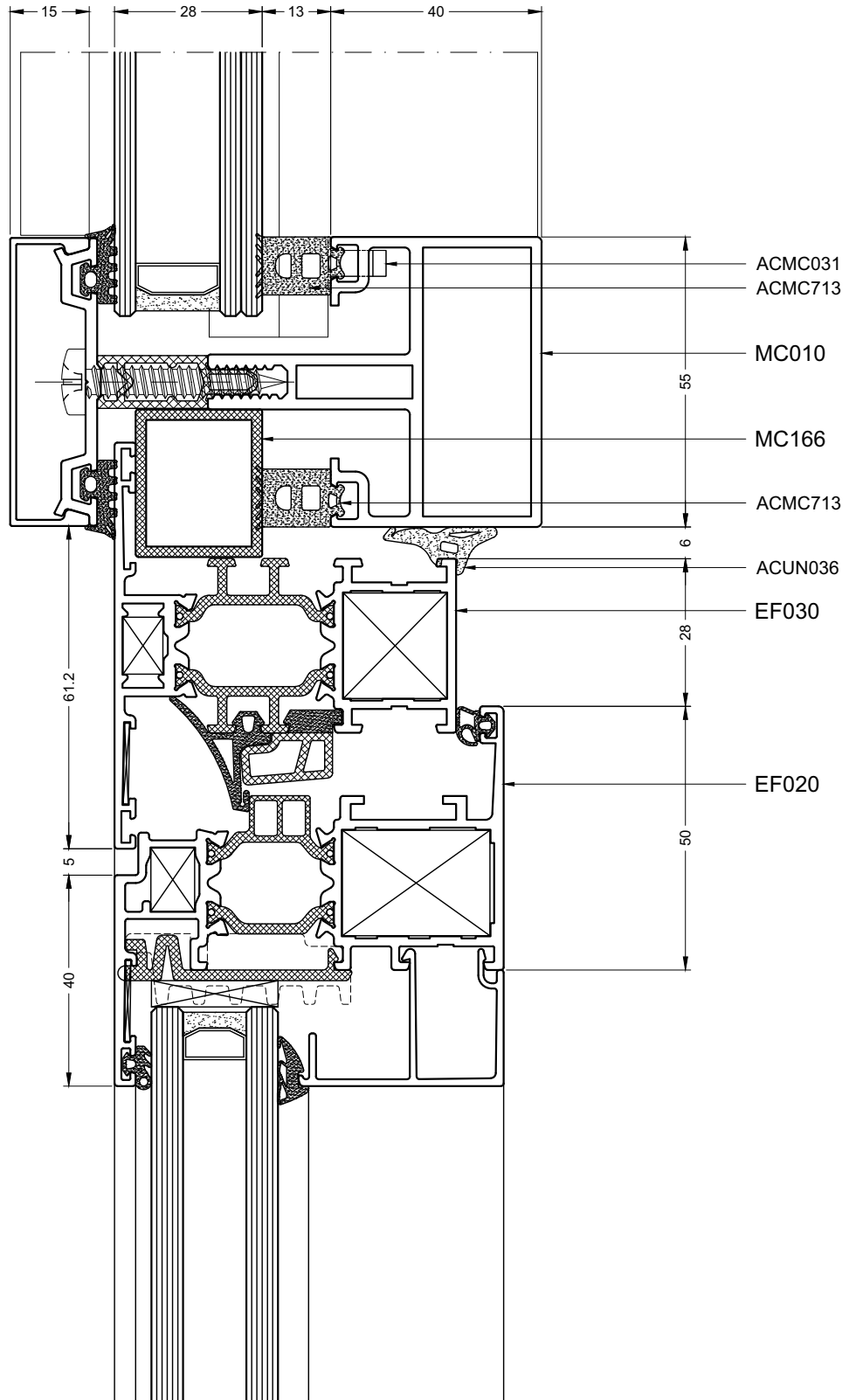
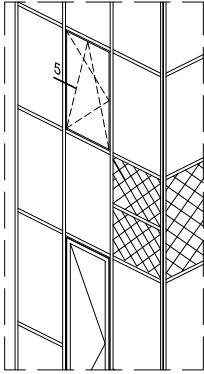


DOORSNEDETEKENINGEN - SECTION DE NOEUDS - PROFILKOMBINATIONEN - SECTION DRAWINGS

MCW\_5.1

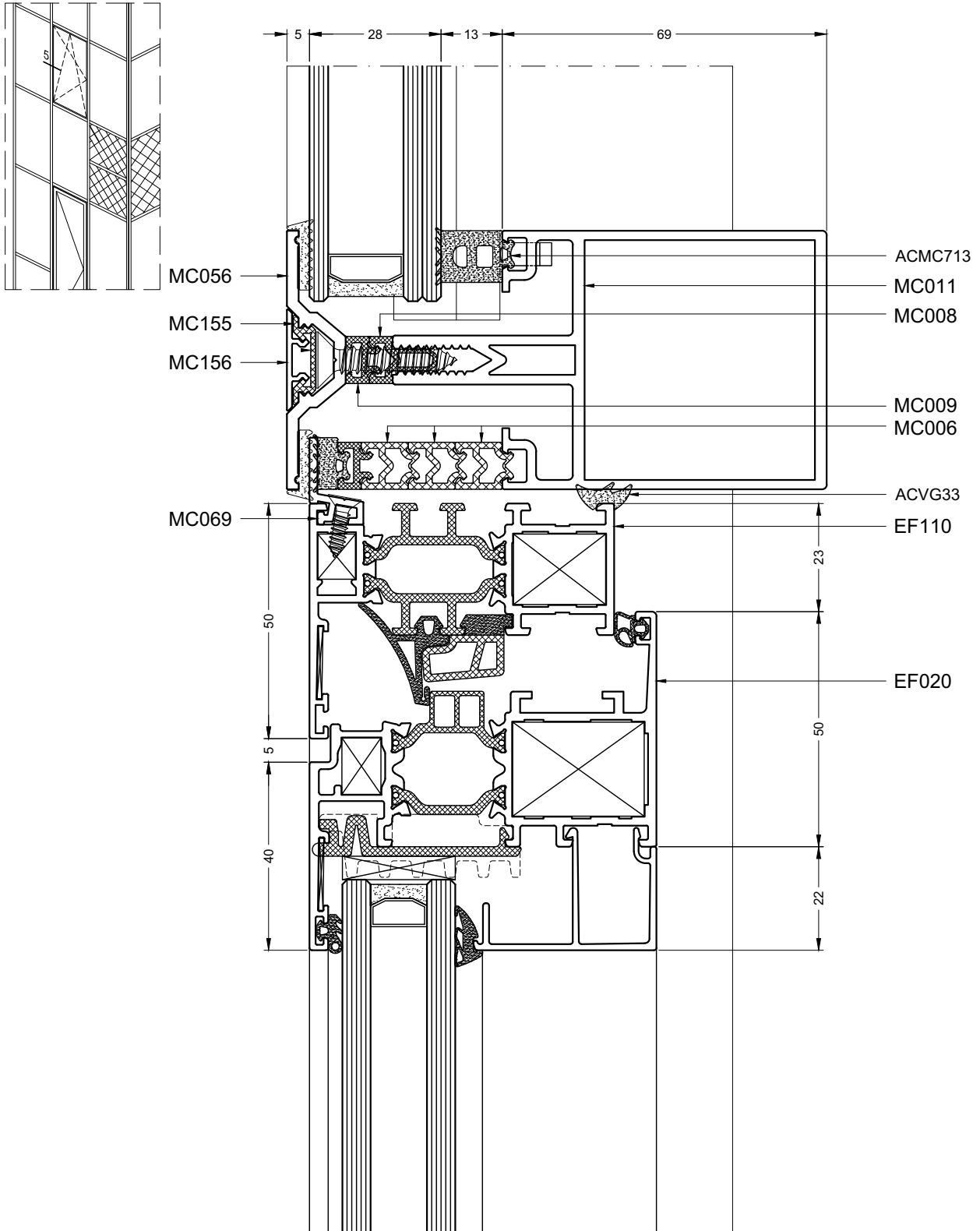
# MC-WALL

## 5.2



MCW\_5.2

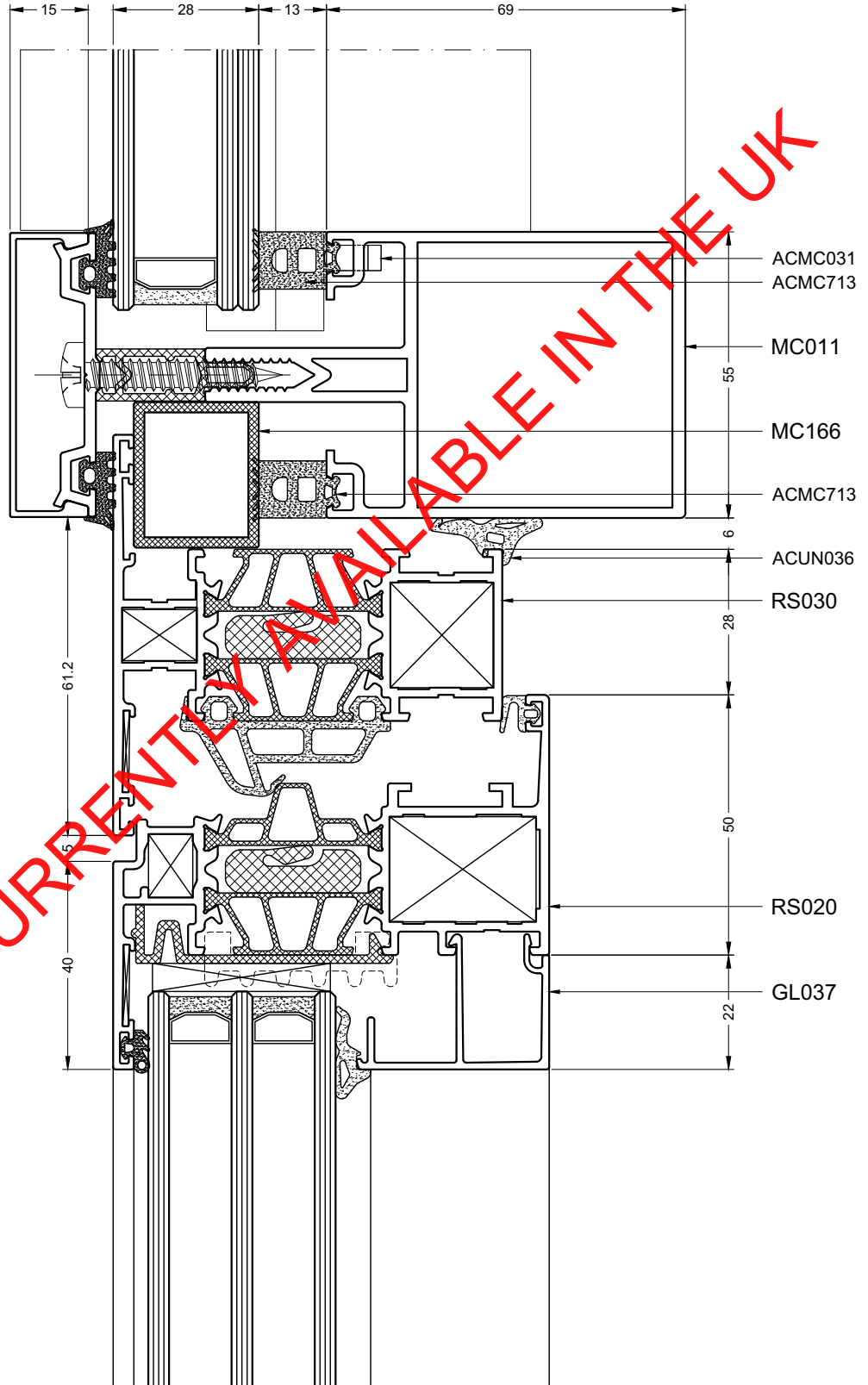
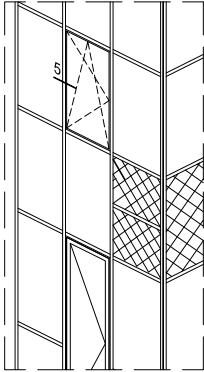
## 5.3



MCW\_5.3

# MC-WALL

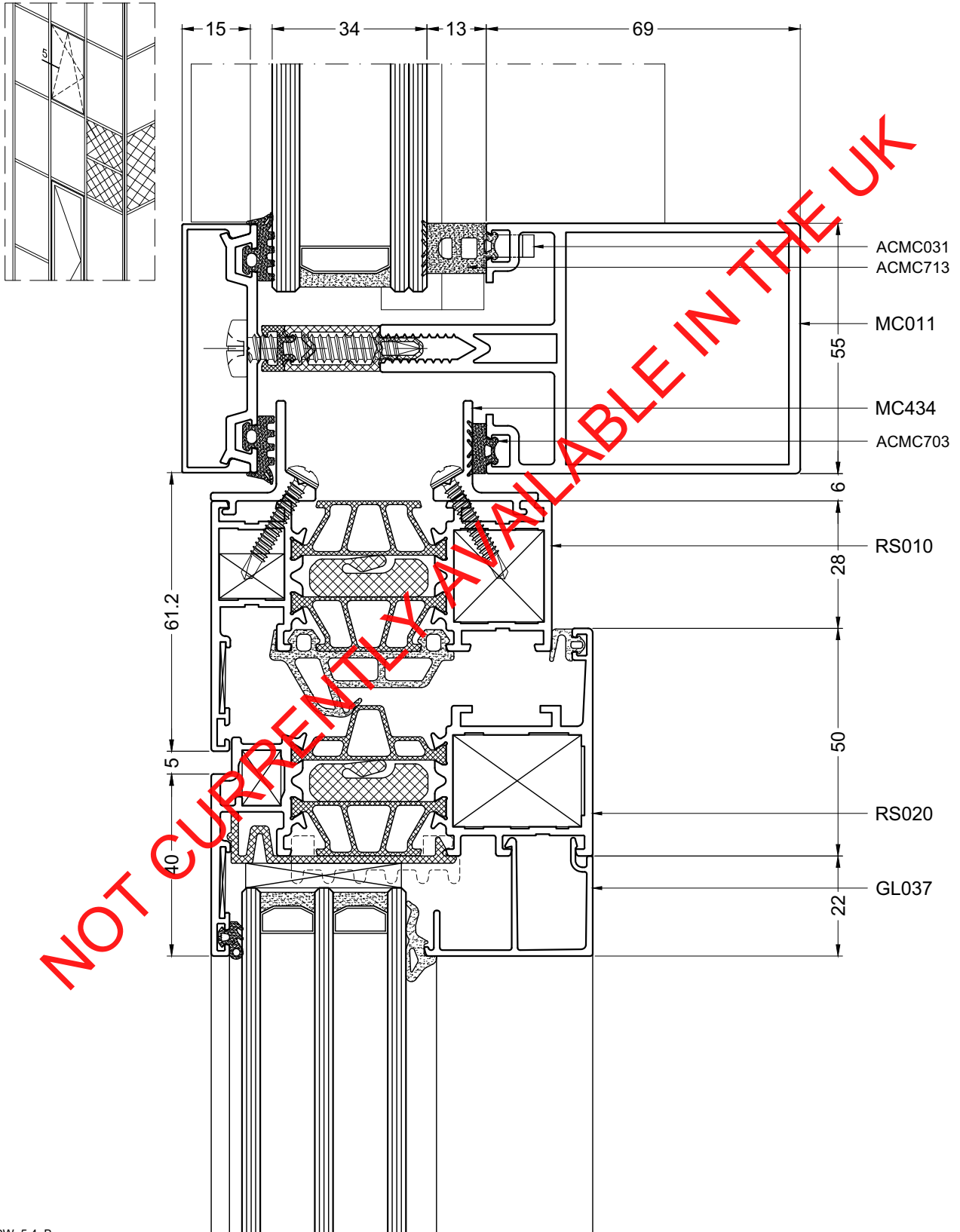
## 5.4



NOT CURRENTLY AVAILABLE IN THE UK

MCW\_5.4

## 5.4\_B

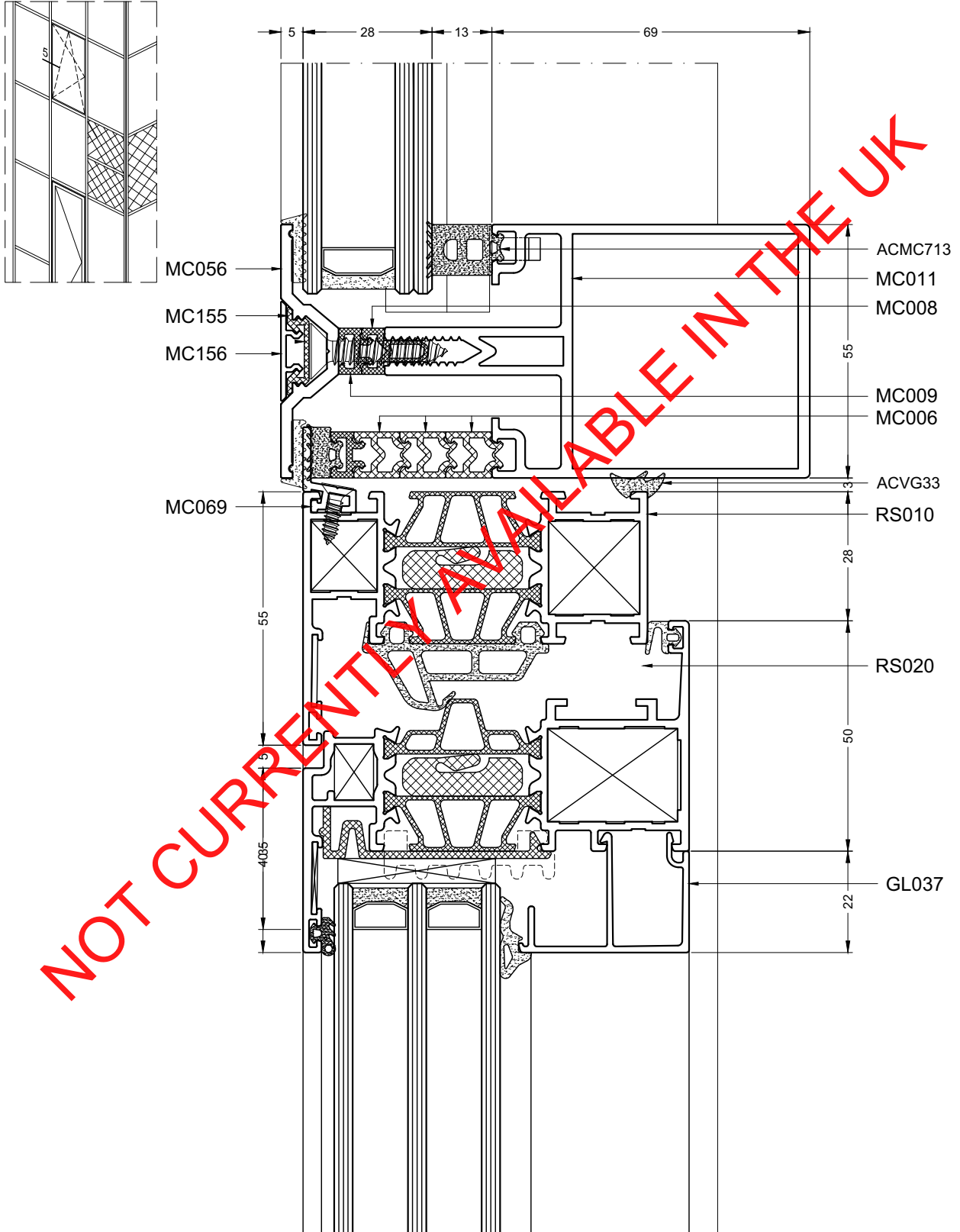


DOORSNEDETEKENINGEN - SECTION DE NOEUDS - PROFILKOMBINATIONEN - SECTION DRAWINGS

MCW\_5.4\_B

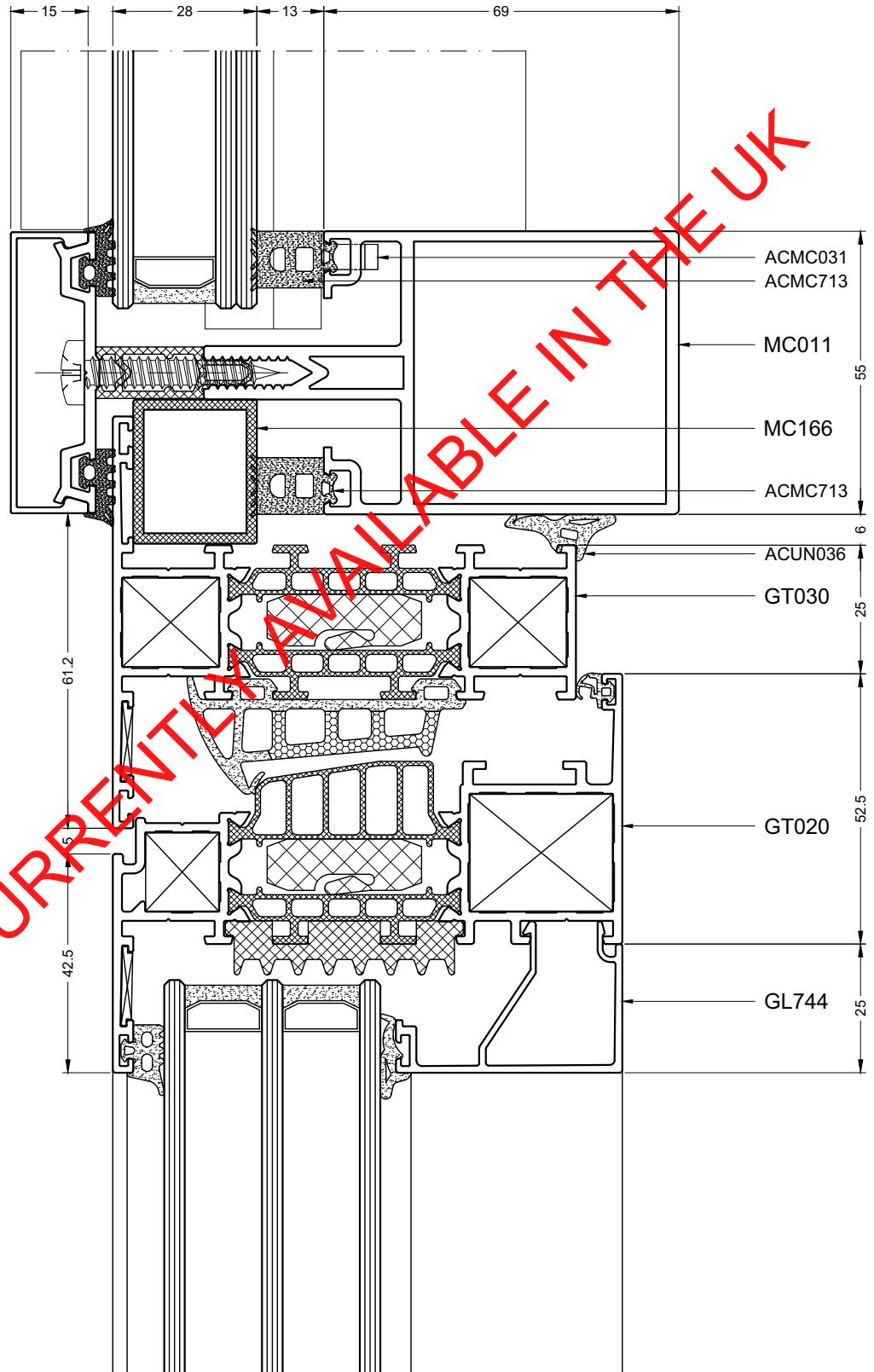
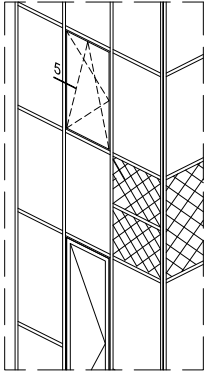
# MC-WALL

## 5.5



MCW\_5.5

## 5.6

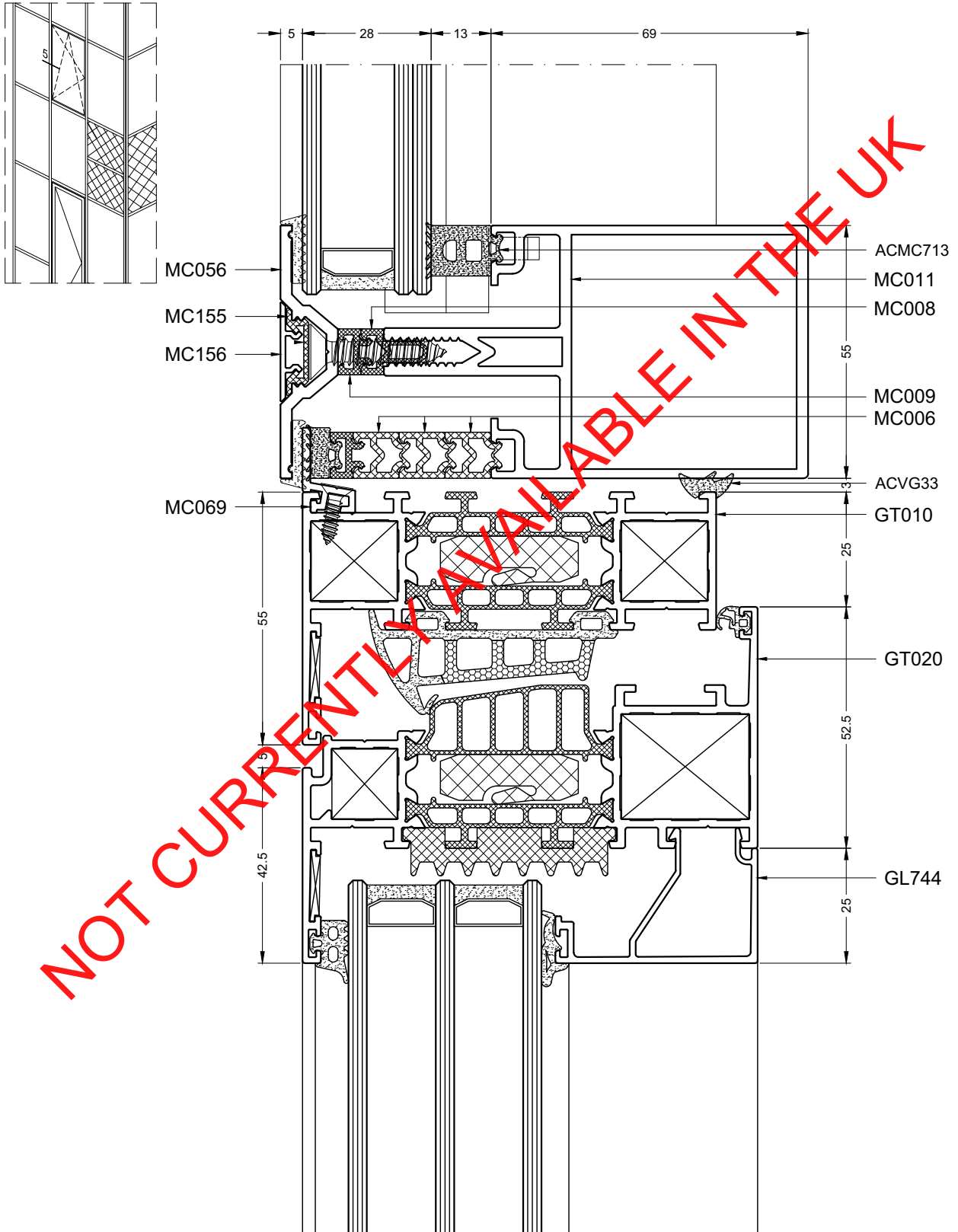


DOORSNEDETEKENINGEN - SECTION DE NOEUDS - PROFILKOMBINATIONEN - SECTION DRAWINGS

MCW\_5.6

# MC-WALL

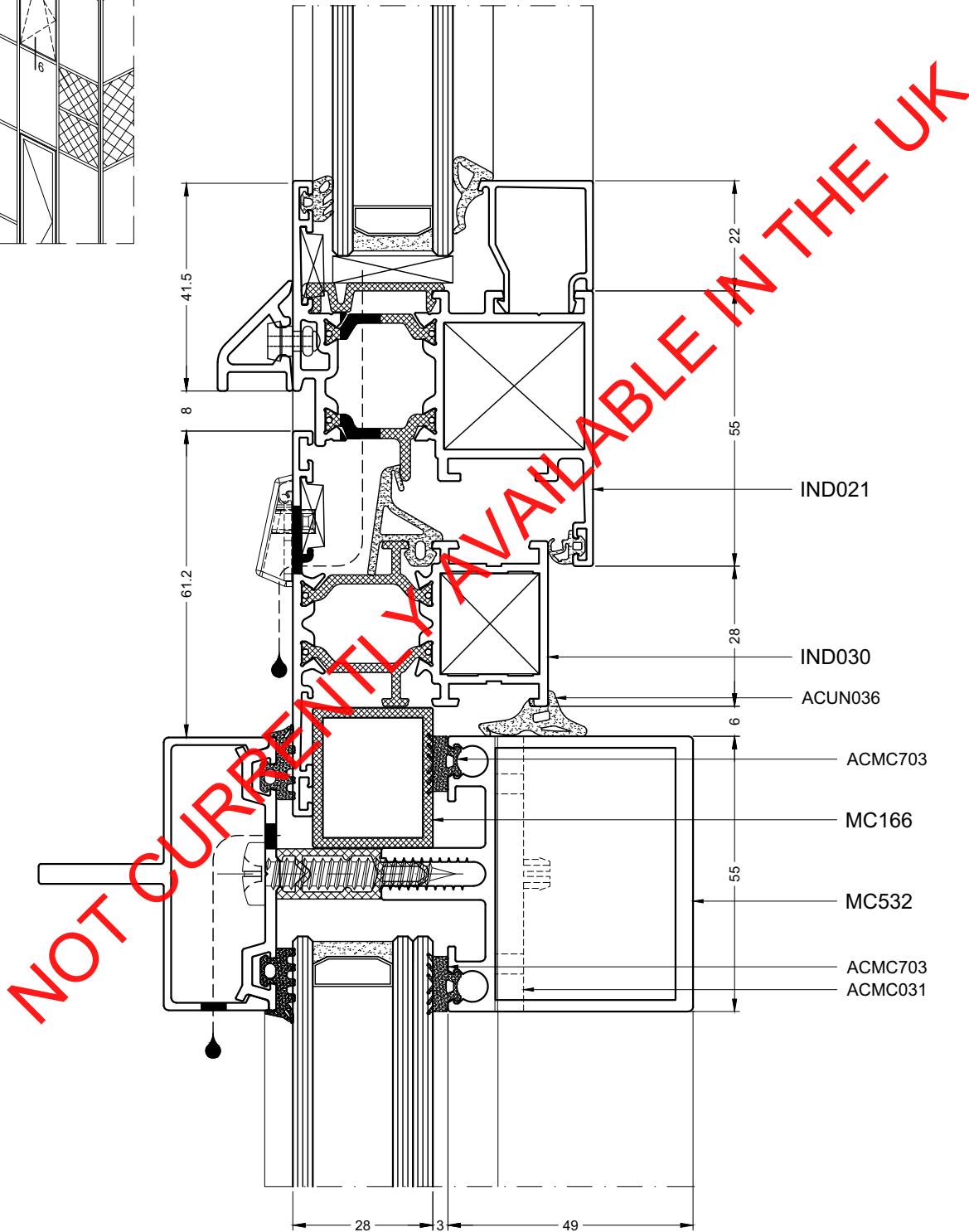
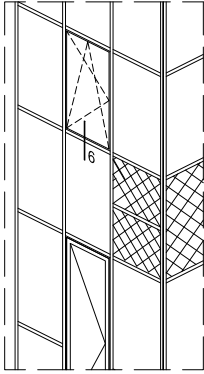
## 5.7



MCW\_5.7



## 6.1

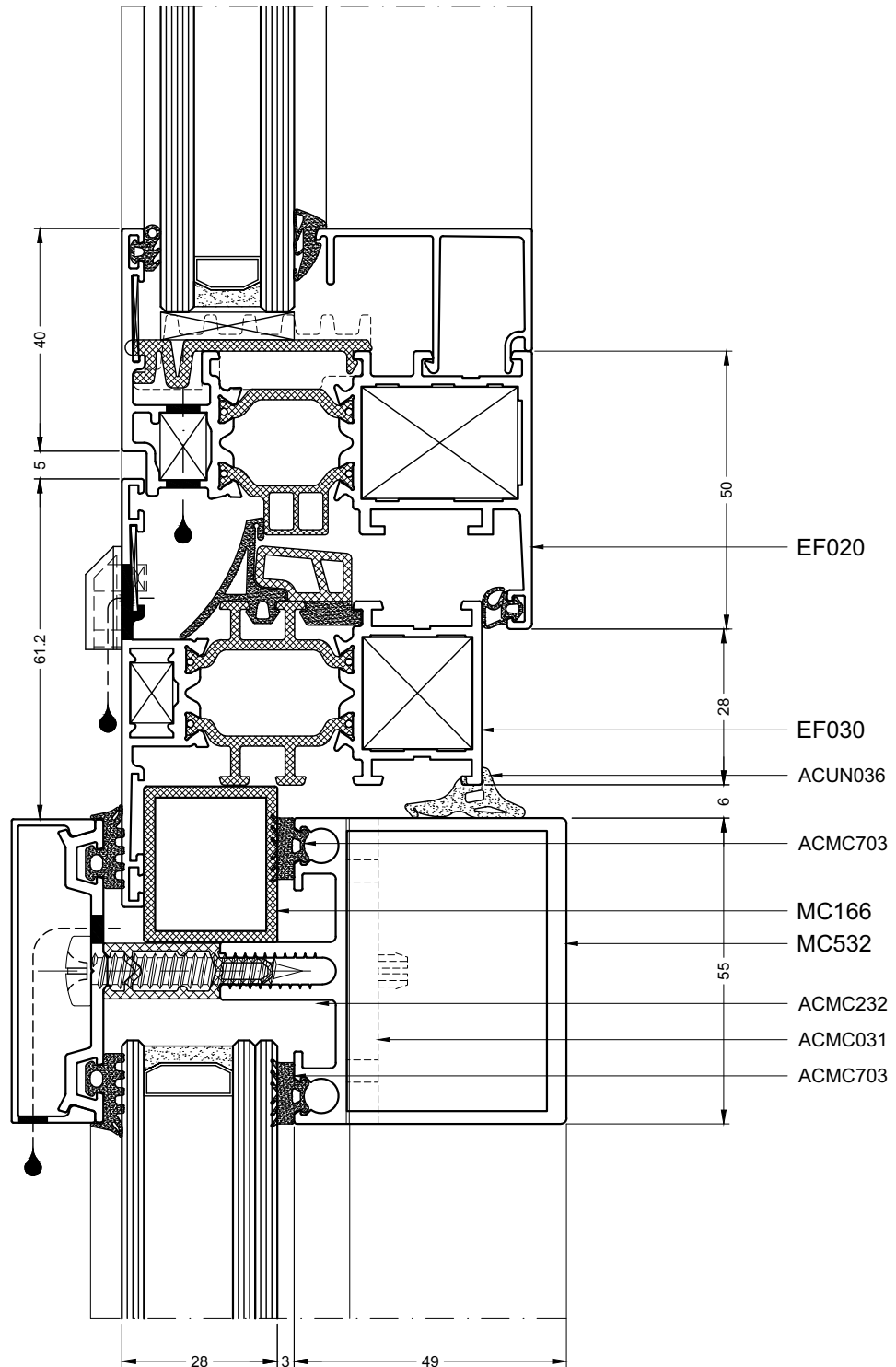
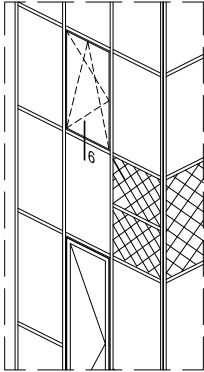


DOORSNEDETEKENINGEN - SECTION DE NOEUDS - PROFILKOMBINATIONEN - SECTION DRAWINGS

MCW\_6.1

# MC-WALL

## 6.2

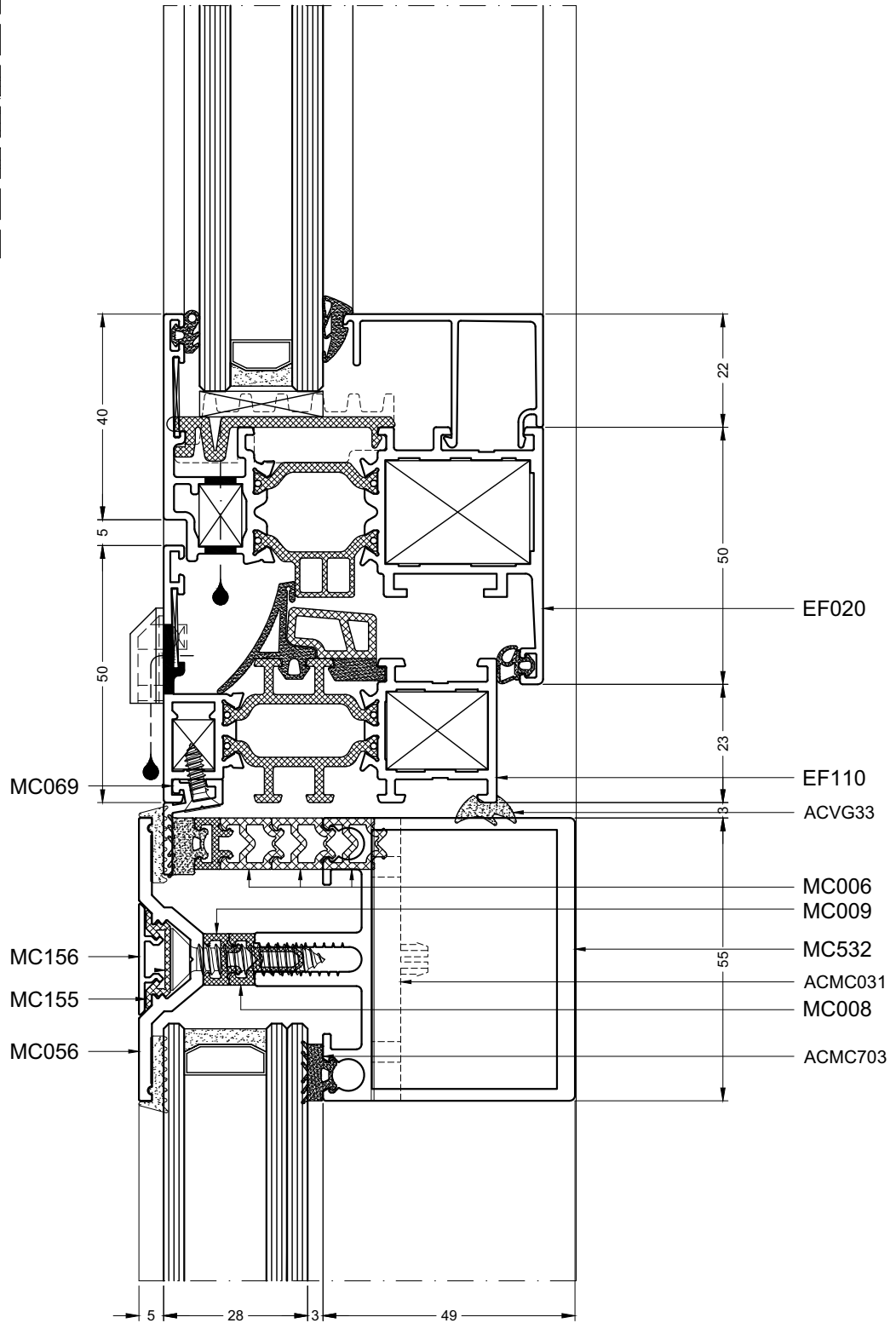
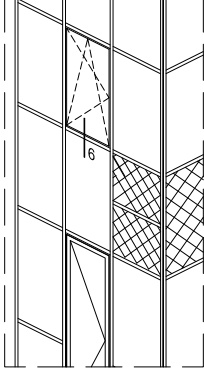


MCW\_6.2

170

18/1/18

## 6.3

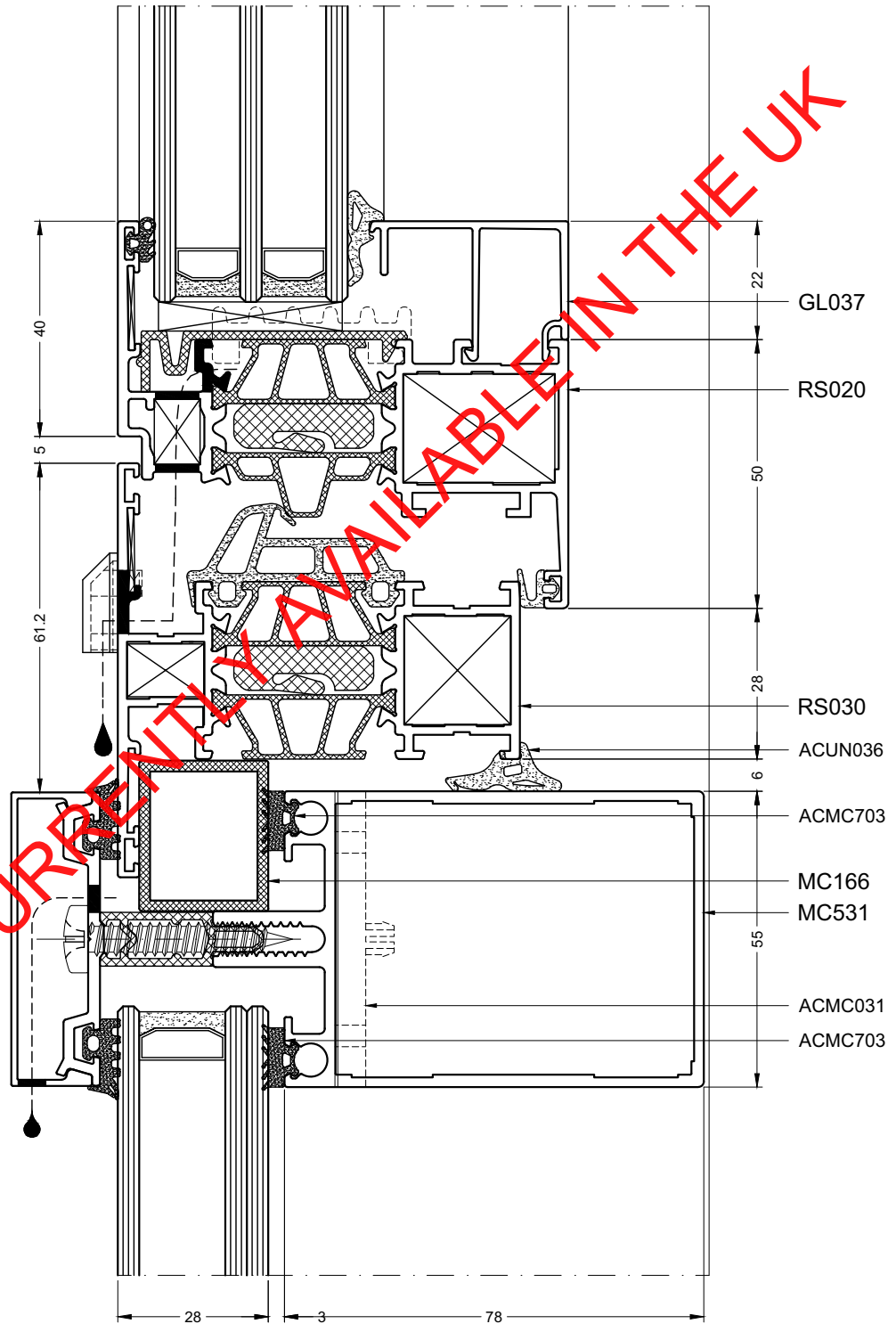
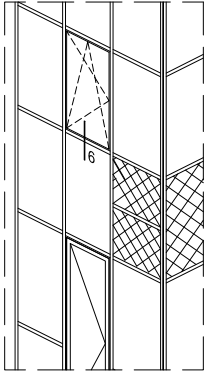


DOORSNEDETEKENINGEN - SECTION DE NOEUDS - PROFILKOMBINATIONEN - SECTION DRAWINGS

MCW\_6.3

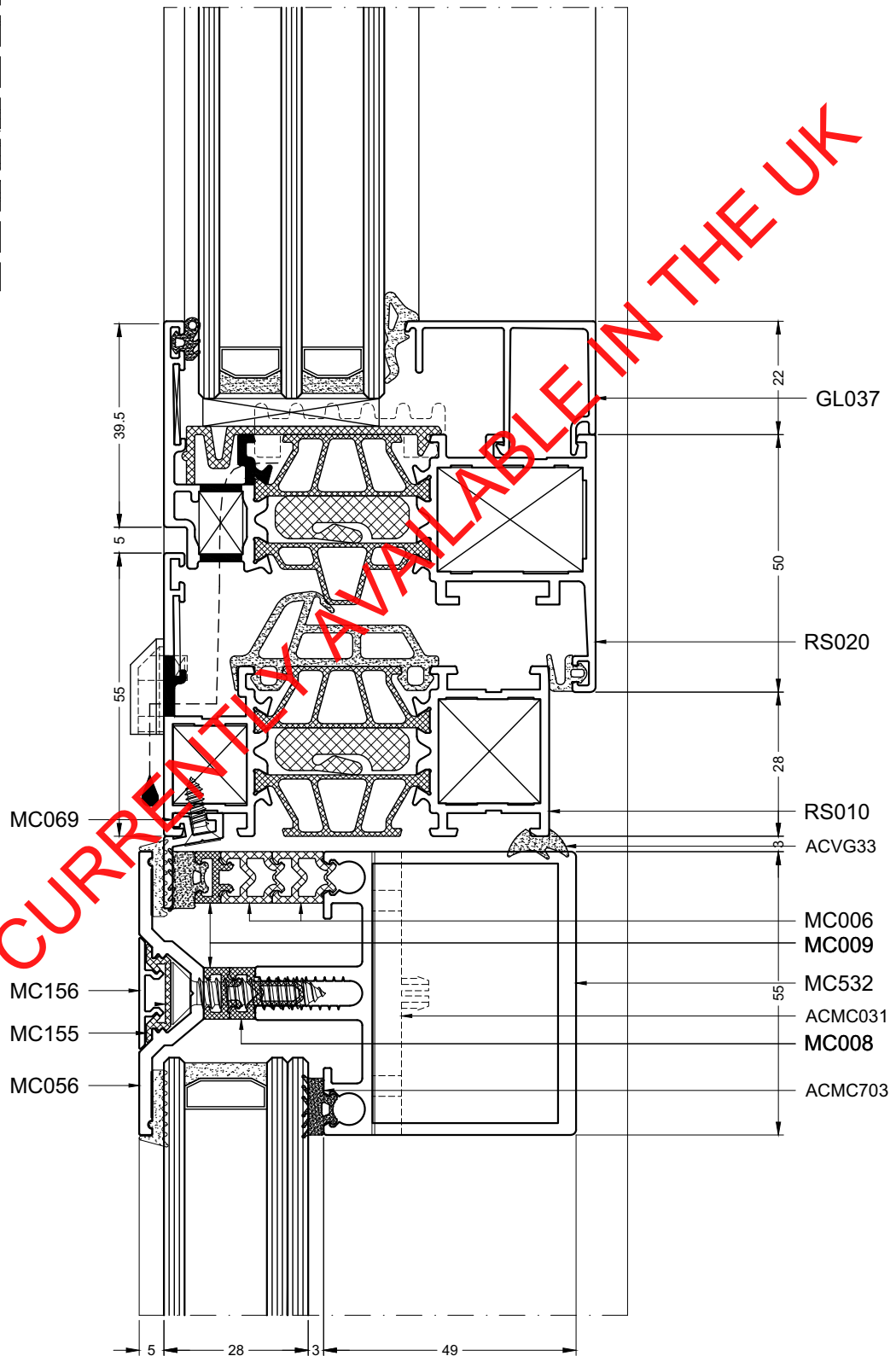
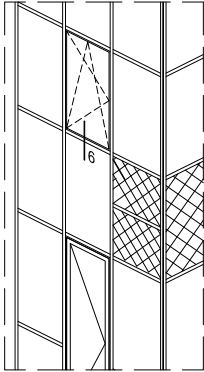
# MC-WALL

## 6.4



MCW\_6.4

## 6.5

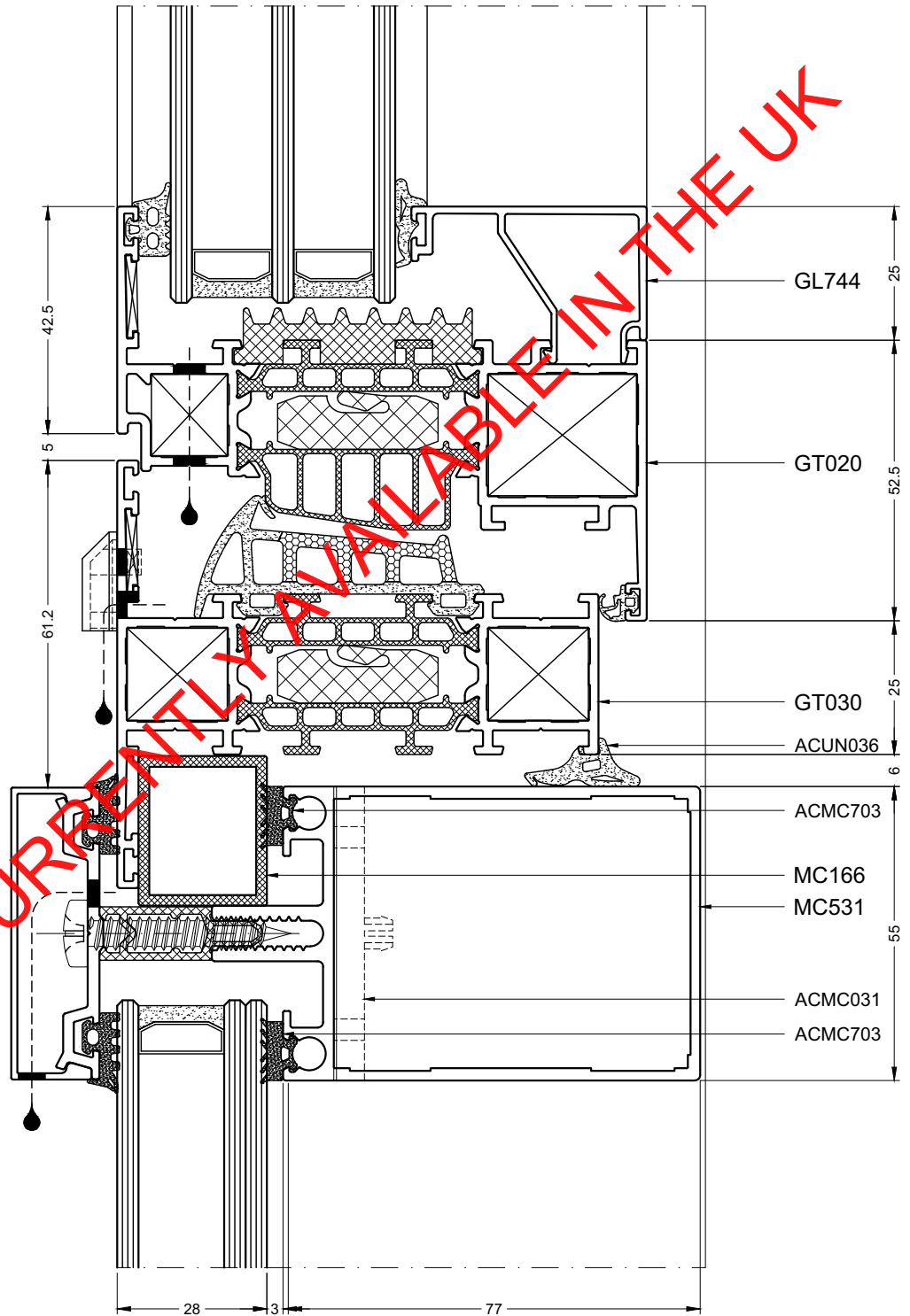
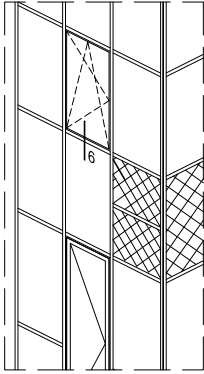


NOT CURRENTLY AVAILABLE IN THE UK

DOORSNEDETEKENINGEN - SECTION DE NOEUDS - PROFILKOMBINATIONEN - SECTION DRAWINGS

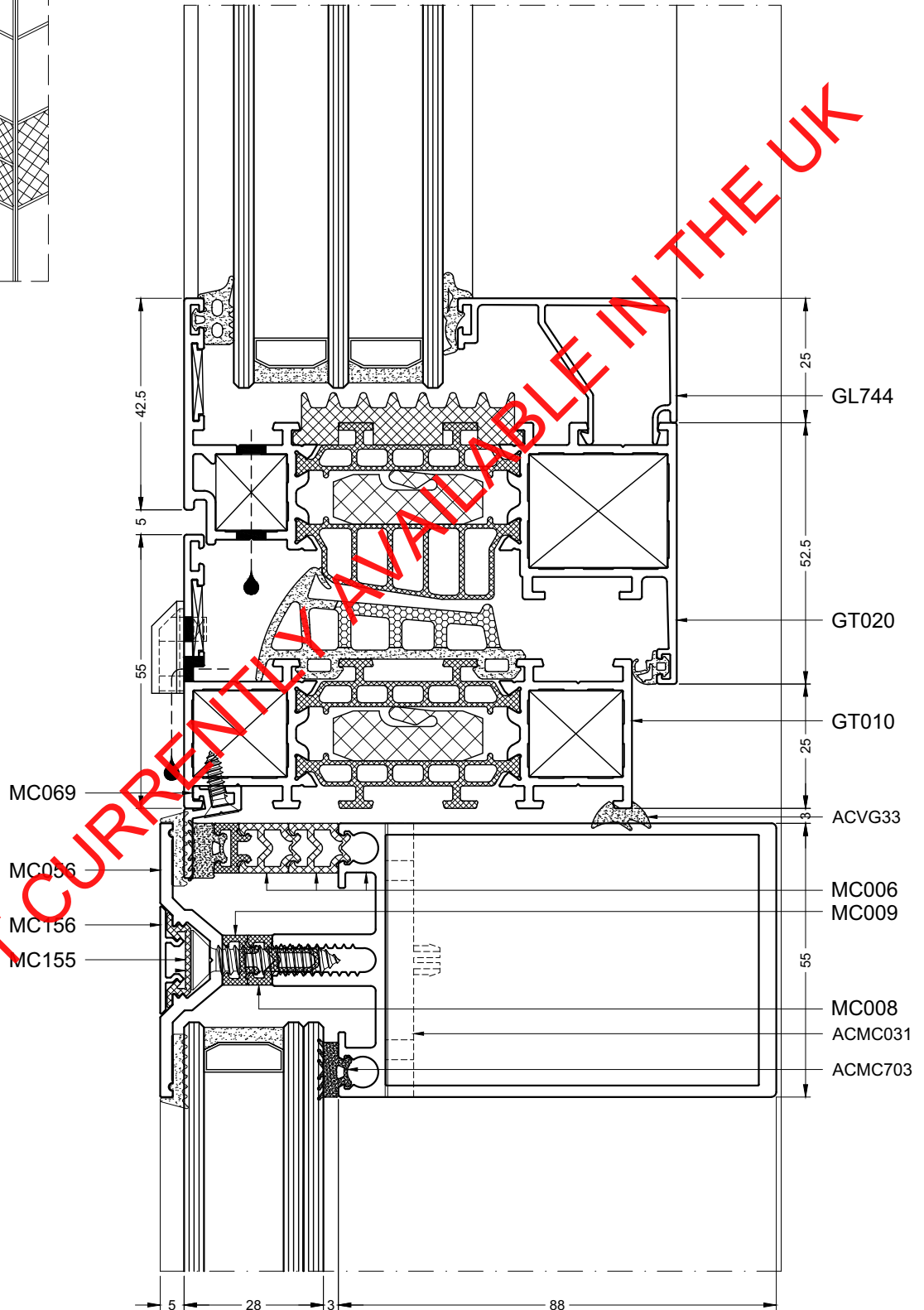
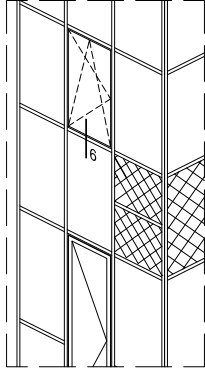
# MC-WALL

## 6.6



MCW\_6.6

## 6.7



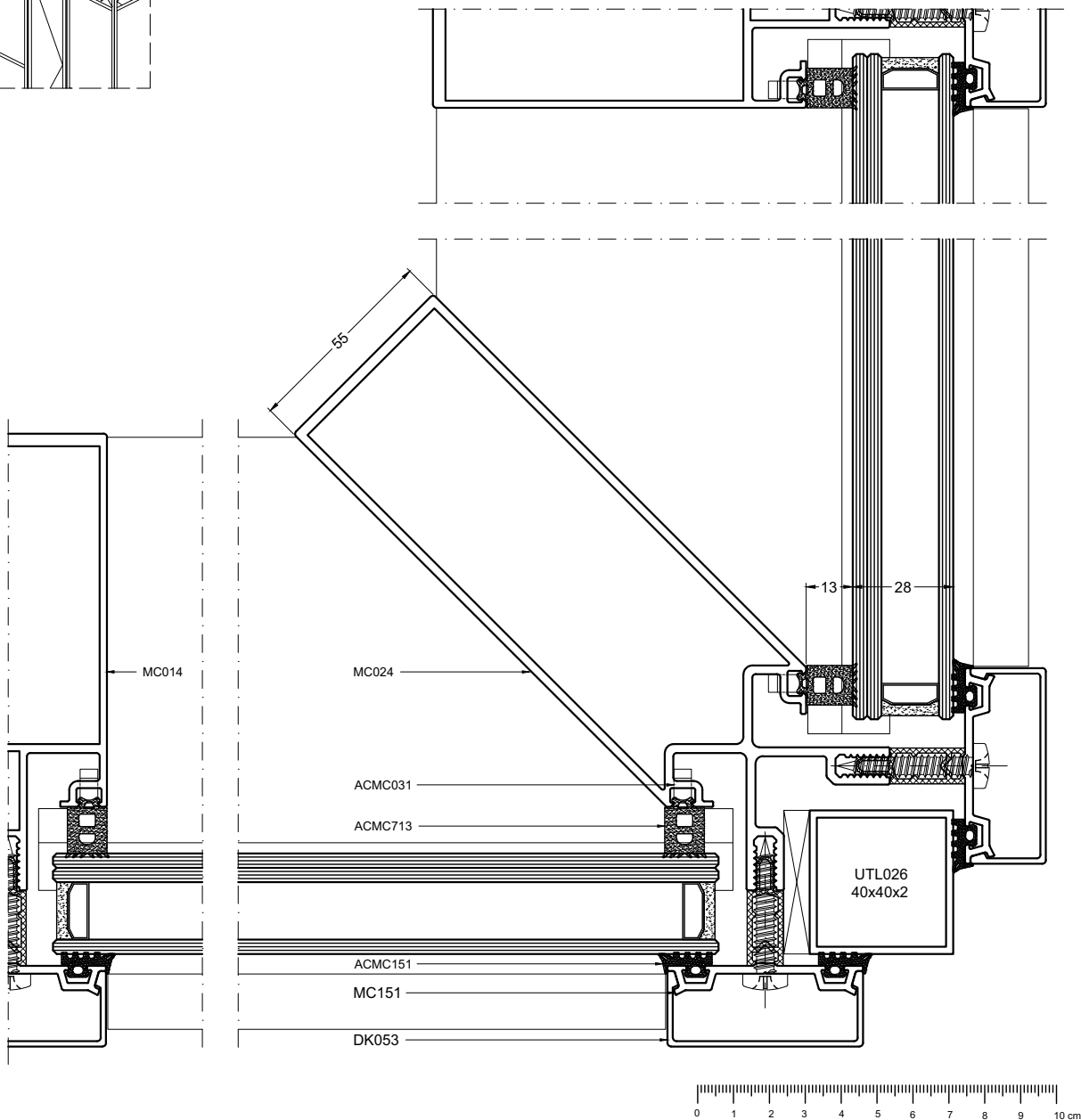
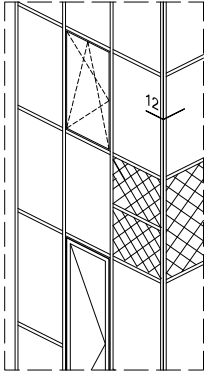
DOORSNEDETEKENINGEN - SECTION DE NOEUDS - PROFILKOMBINATIONEN - SECTION DRAWINGS

MCW\_6.7



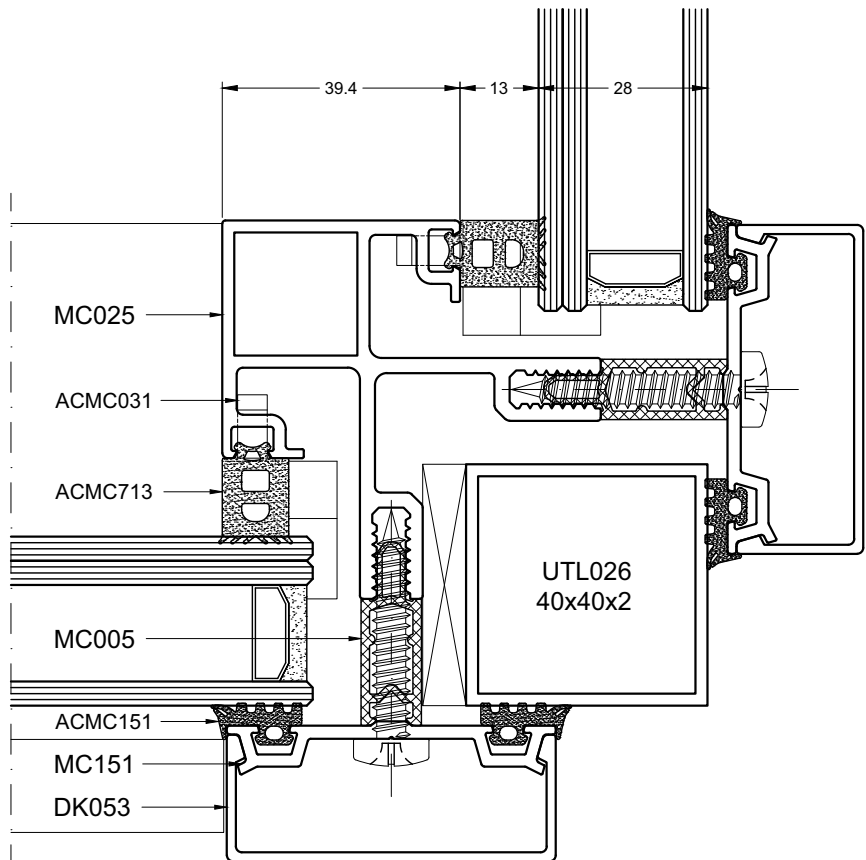
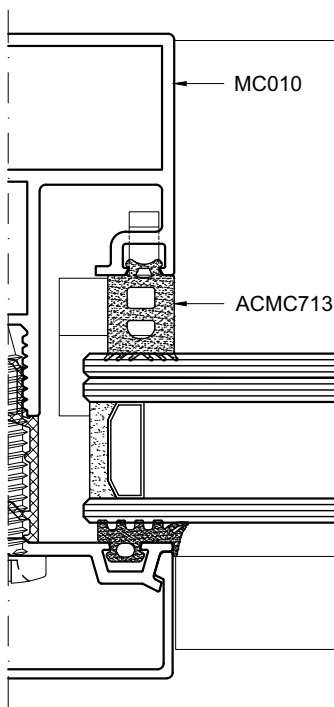
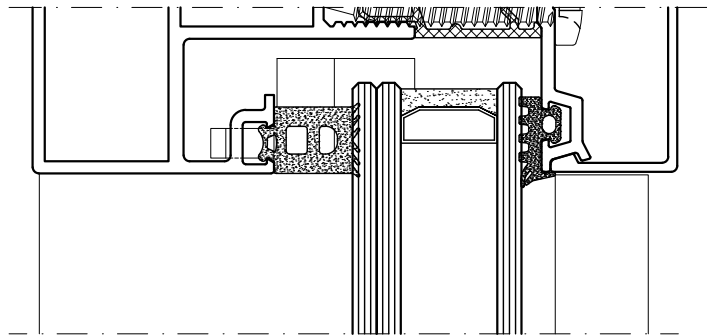
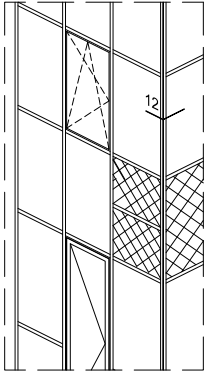


## 12.1



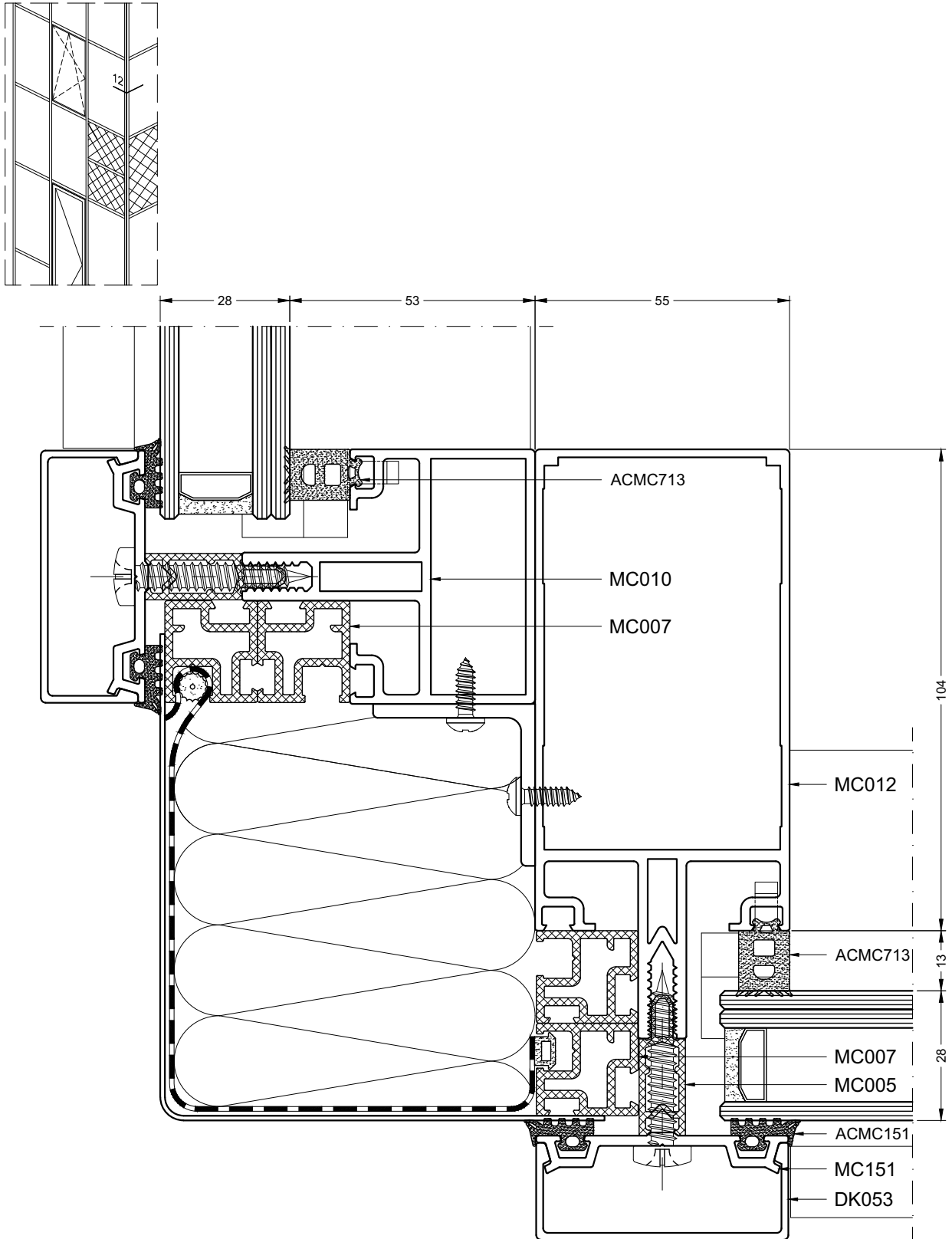
# MC-WALL

## 12.2



MCW\_12.2

## 12.3

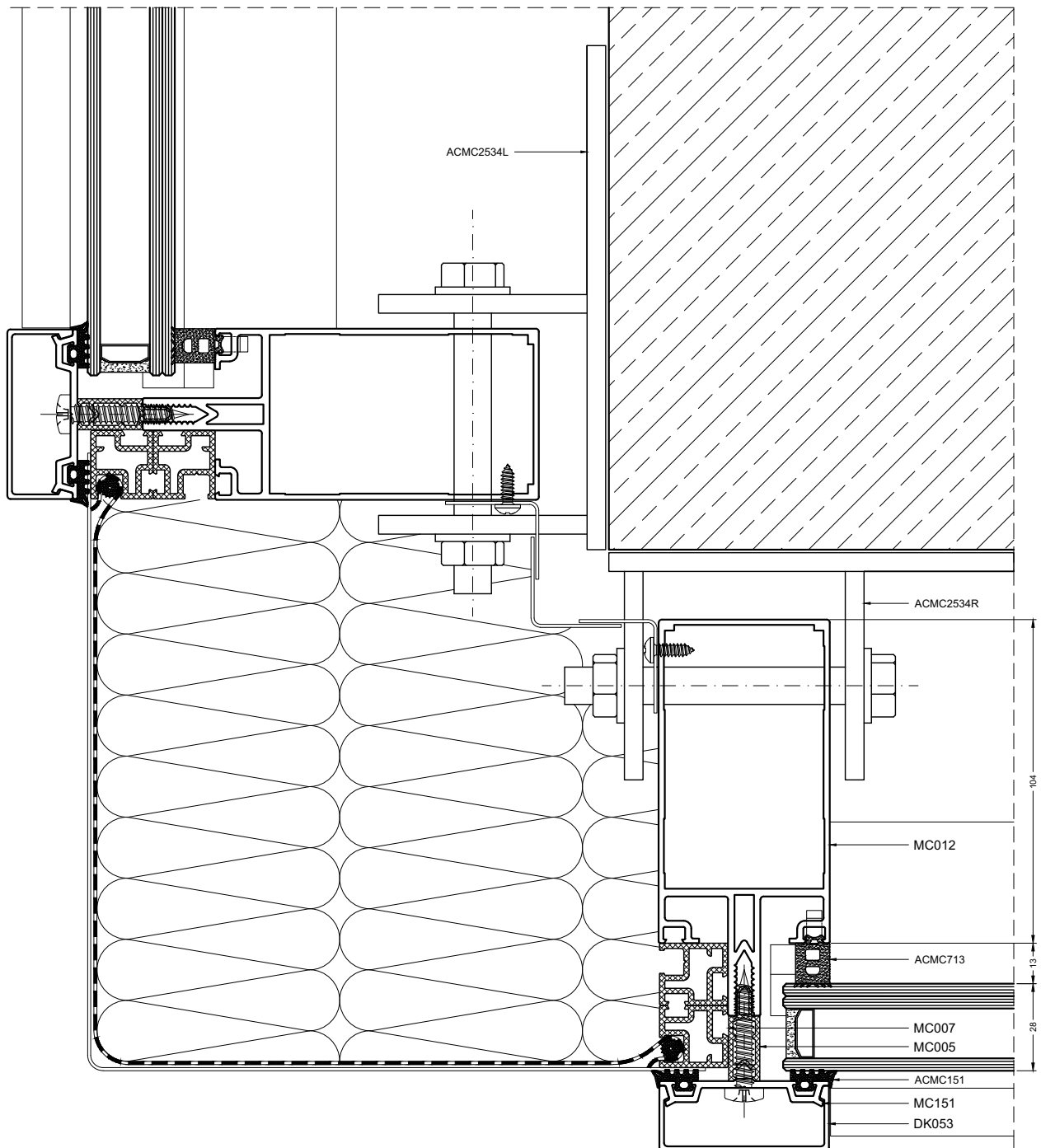
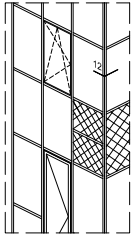


DOORSNEDETEKENINGEN - SECTION DE NOEUDS - PROFILKOMBINATIONEN - SECTION DRAWINGS

MCW\_12.3

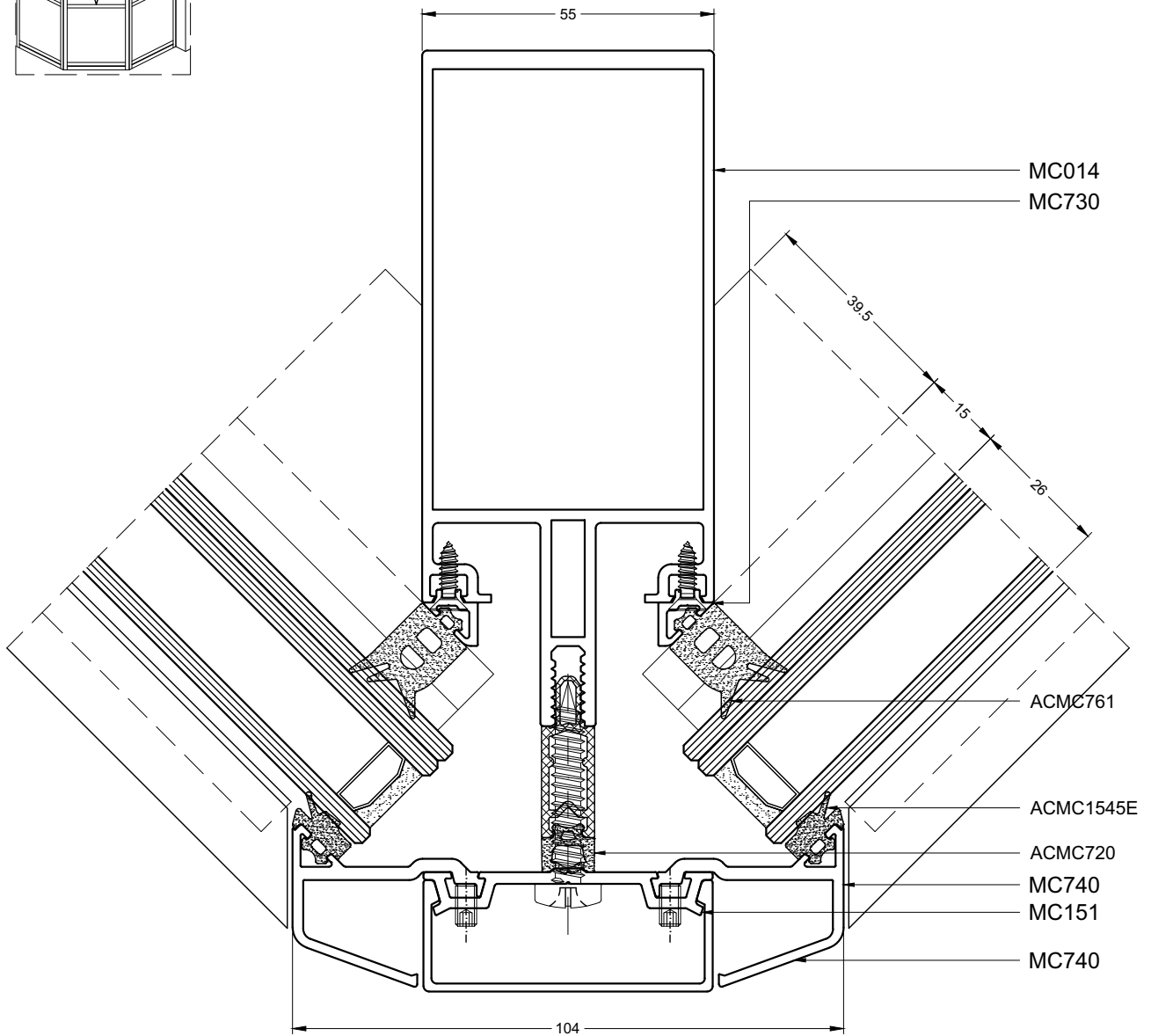
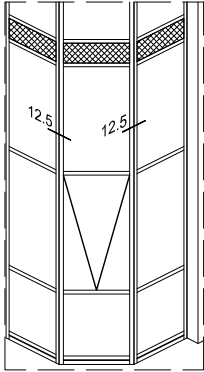
# MC-WALL

## 12.4



MCW\_12.4

## 12.5

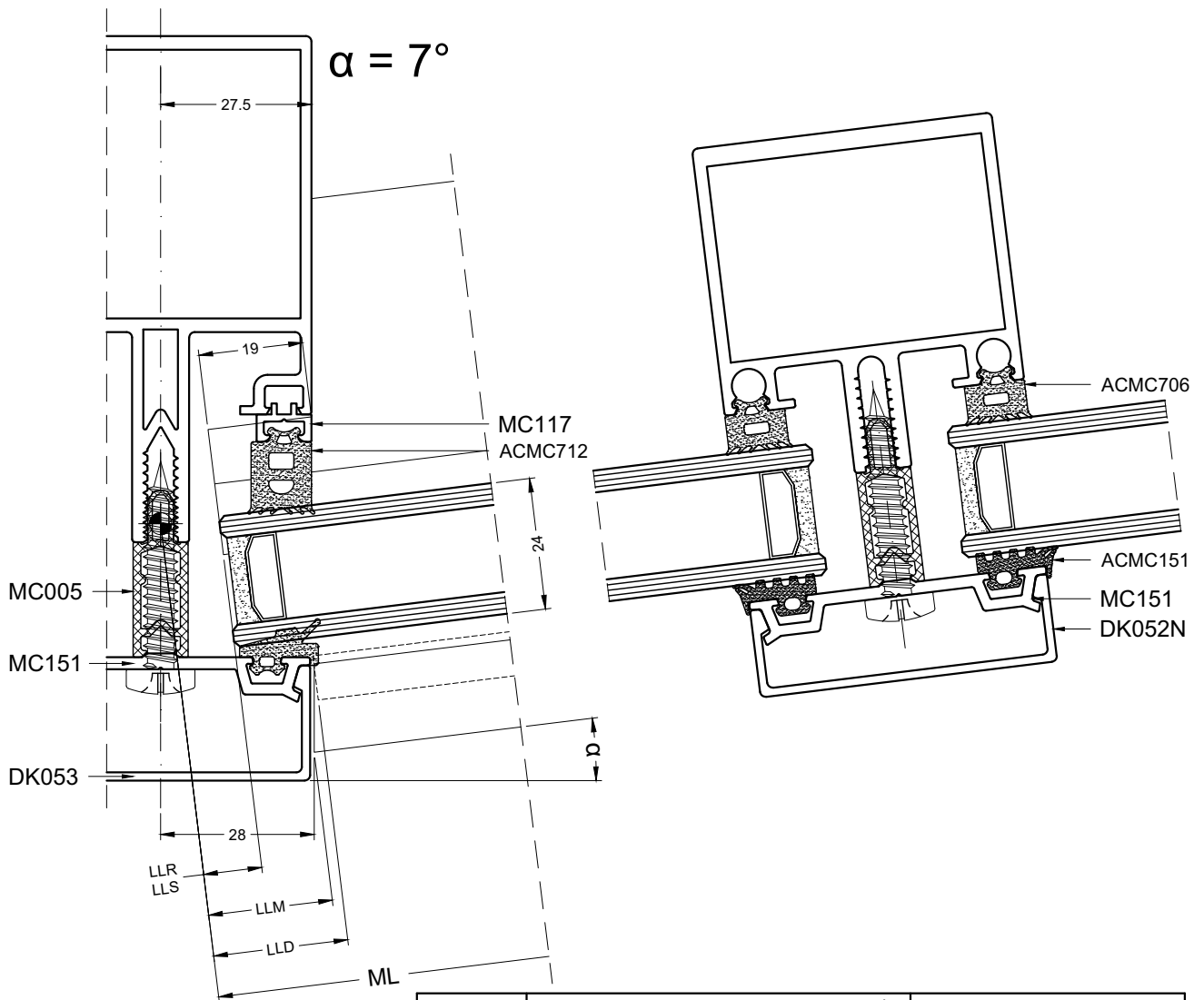
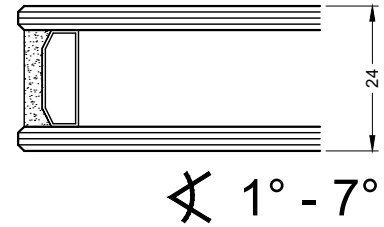
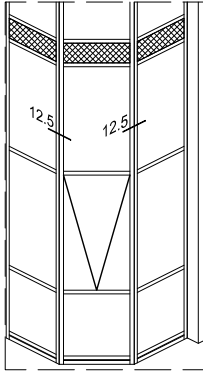


DOORSNEDETEKENINGEN - SECTION DE NOEUDS - PROFILKOMBINATIONEN - SECTION DRAWINGS

MCW\_12.5

# MC-WALL

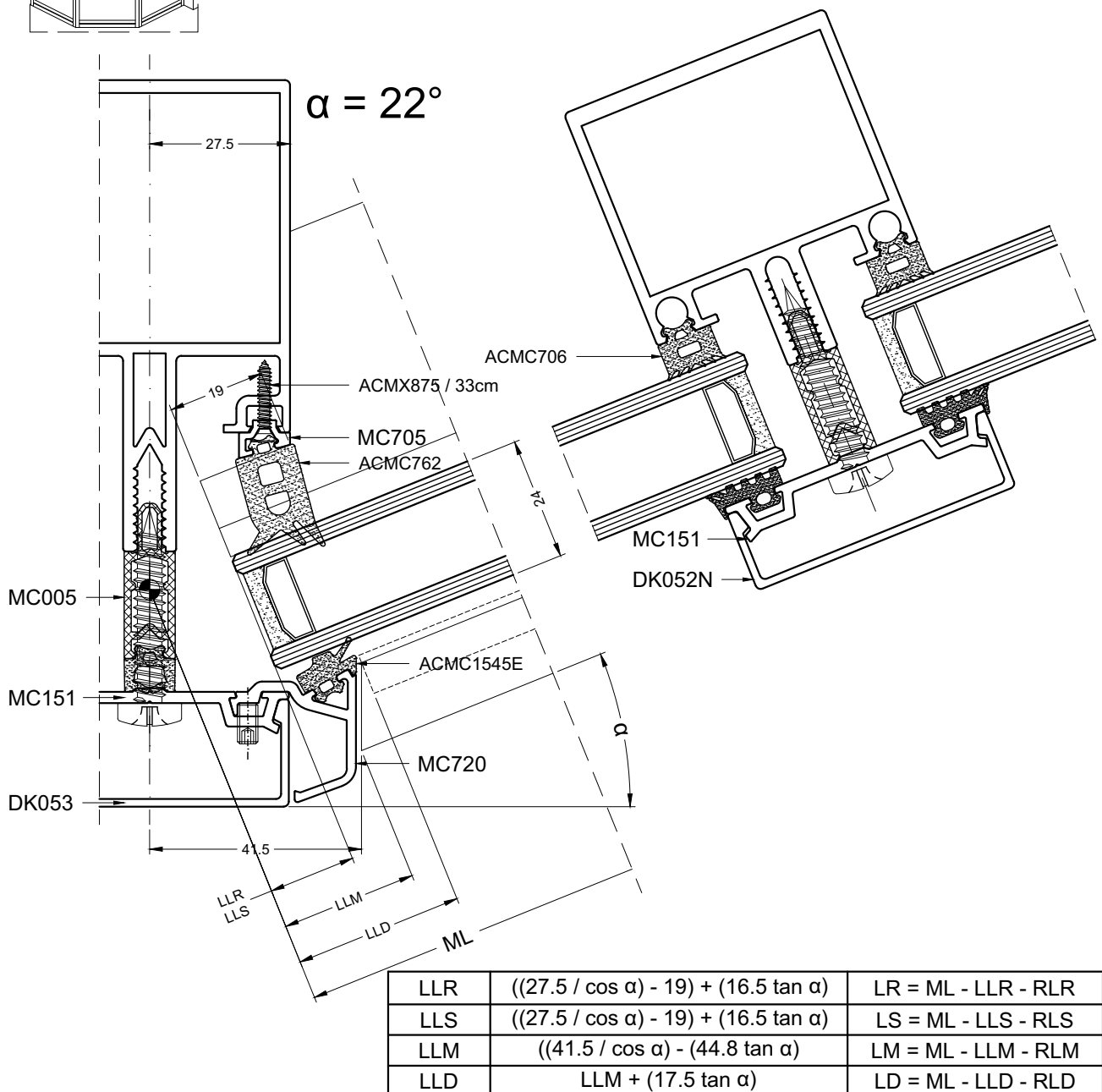
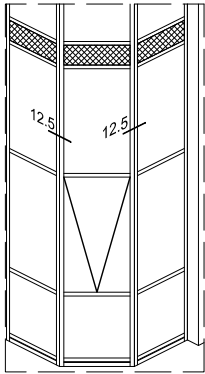
## 12.5.1



LLR	$((27.5 / \cos \alpha) - 19) + (16.5 \tan \alpha)$	LR = ML - LLR - RLR
LLS	$((27.5 / \cos \alpha) - 19) + (16.5 \tan \alpha)$	LS = ML - LLS - RLS
LLM	$((28 / \cos \alpha) - (44.8 \tan \alpha))$	LM = ML - LLM - RLM
LLD	$LLM + (17.5 \tan \alpha)$	LD = ML - LLD - RLD

MCW\_12.5.1

## 12.5.2

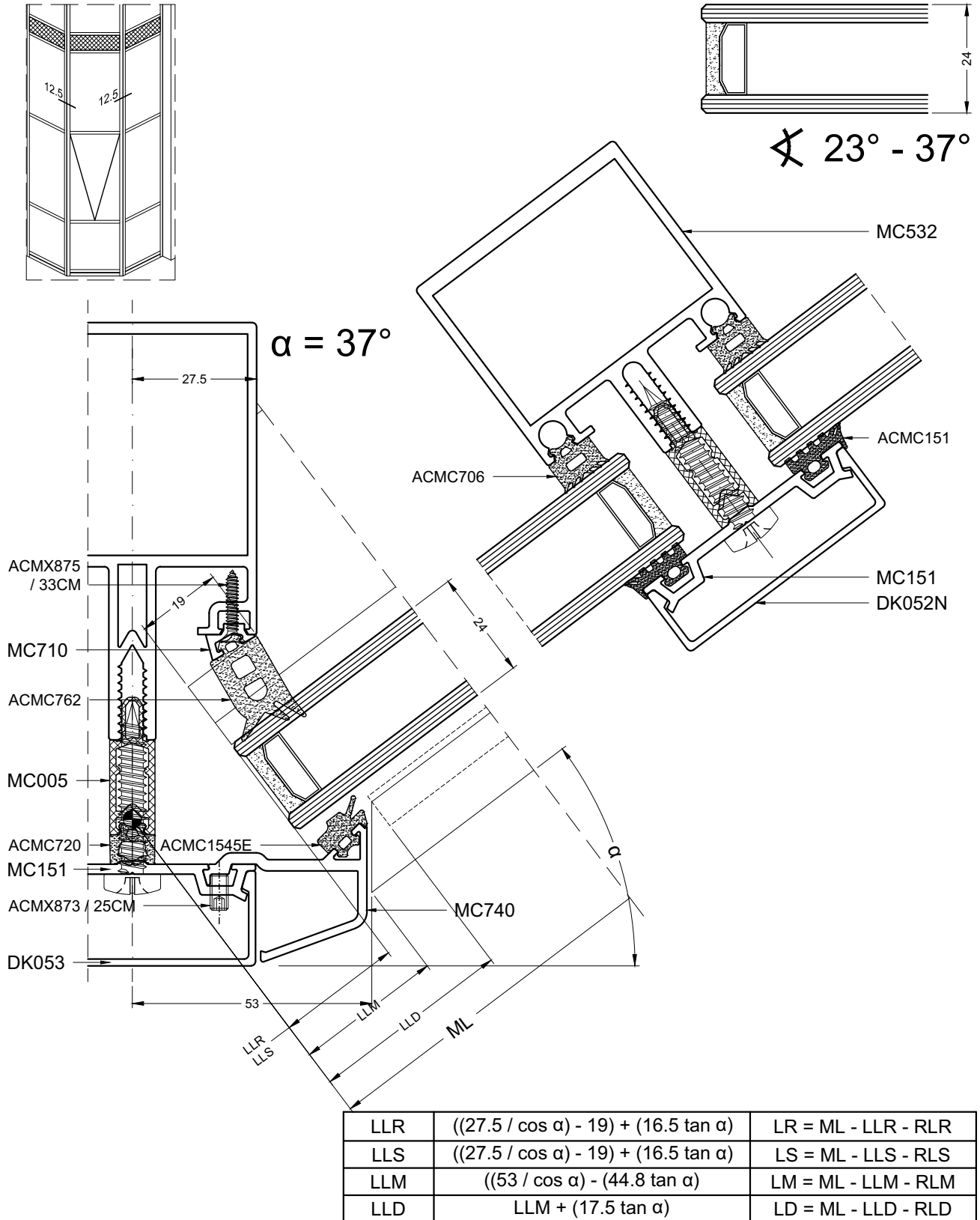


DOORSNEDETEKENINGEN - SECTION DE NOEUDS - PROFILKOMBINATIONEN - SECTION DRAWINGS

MCW\_12.5.2

# MC-WALL

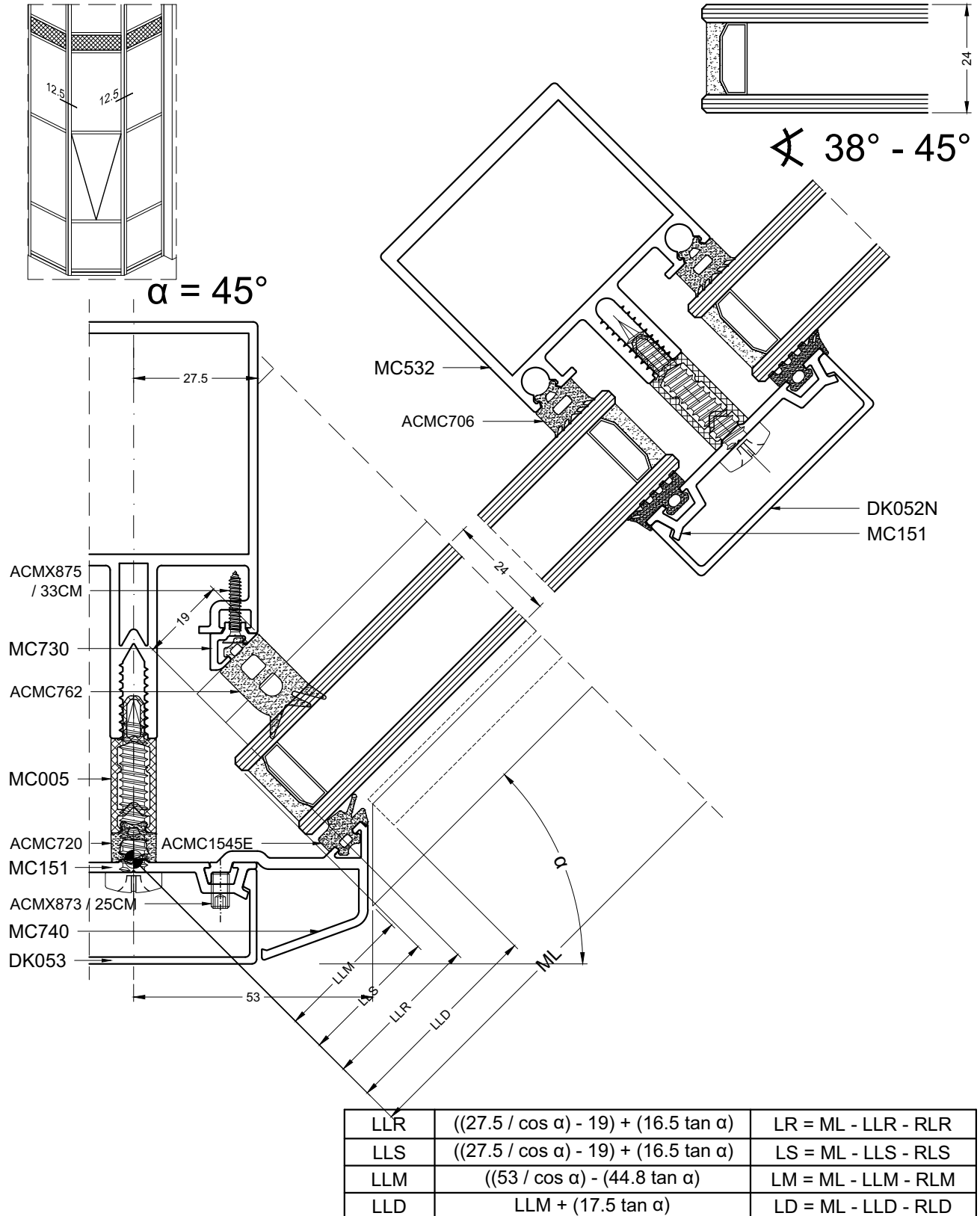
## 12.5.3



MCW\_12.5.3



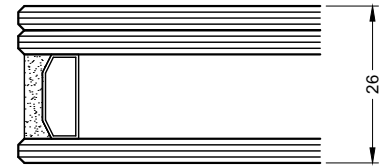
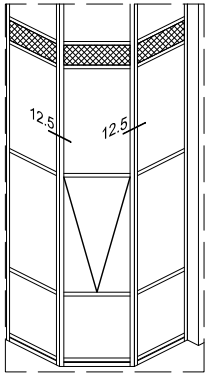
## 12.5.4



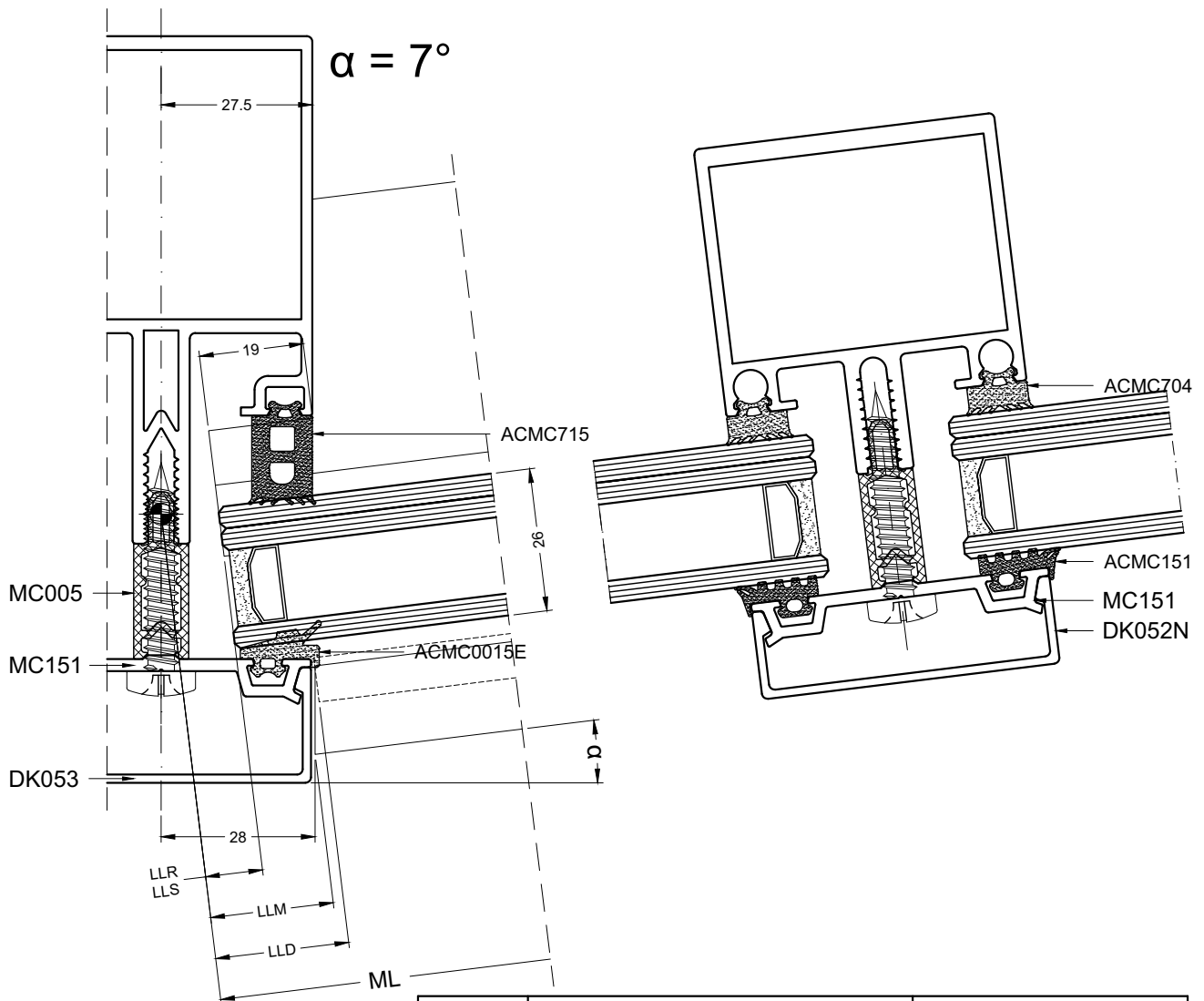
MCW\_12.5.4

# MC-WALL

## 12.5.5



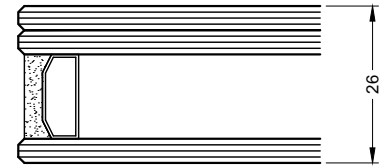
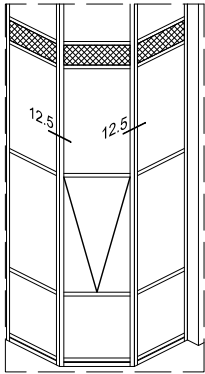
∠ 1° - 7°



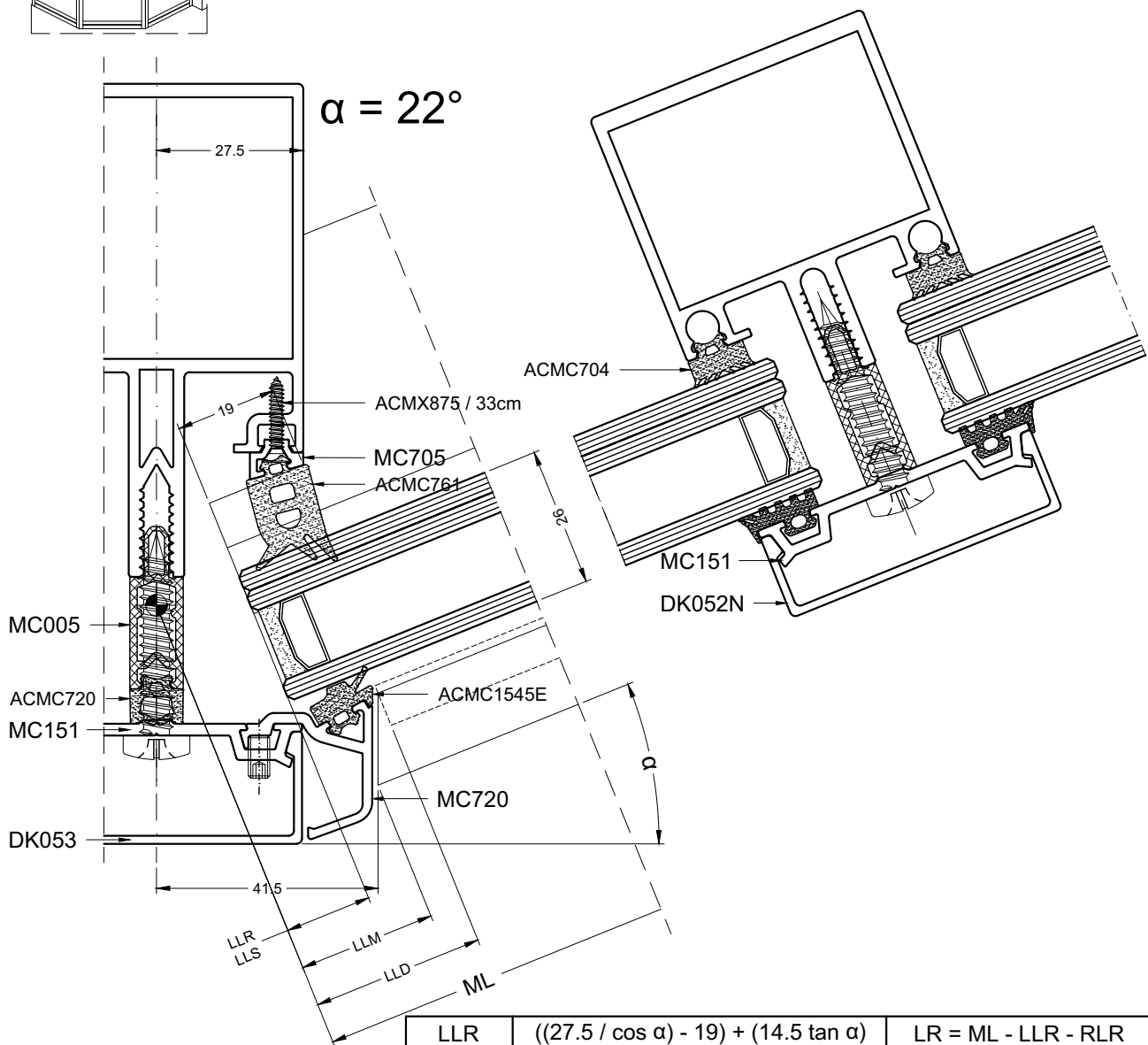
LLR	$((27.5 / \cos \alpha) - 19) + (14.5 \tan \alpha)$	LR = ML - LLR - RLR
LLS	$((27.5 / \cos \alpha) - 19) + (14.5 \tan \alpha)$	LS = ML - LLS - RLS
LLM	$((28 / \cos \alpha) - (46.8 \tan \alpha))$	LM = ML - LLM - RLM
LLD	$LLM + (17.5 \tan \alpha)$	LD = ML - LLD - RLD

MCW\_12.5.5

## 12.5.6



$\alpha$  8° - 22°

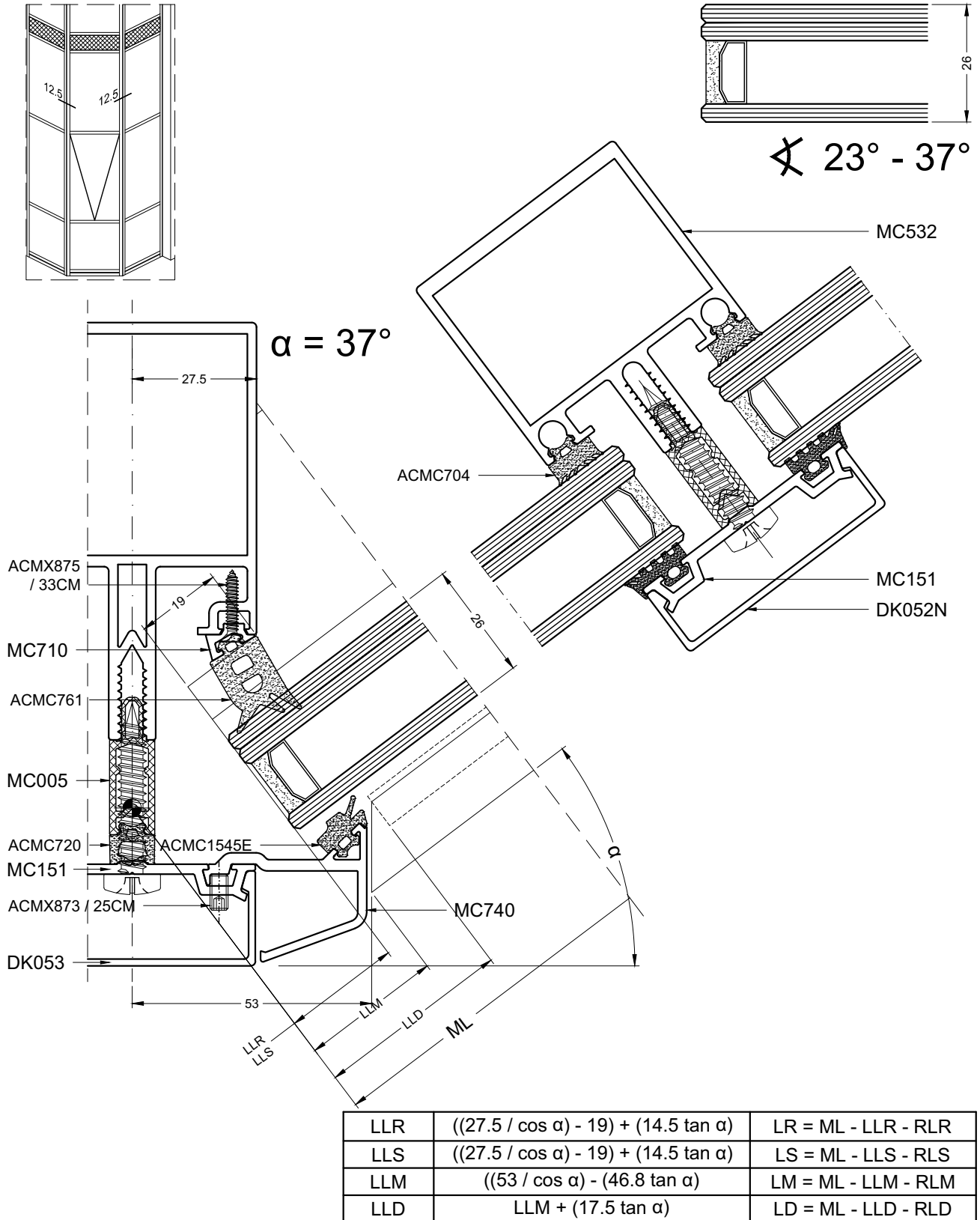


LLR	$((27.5 / \cos \alpha) - 19) + (14.5 \tan \alpha)$	LR = ML - LLR - RLR
LLS	$((27.5 / \cos \alpha) - 19) + (14.5 \tan \alpha)$	LS = ML - LLS - RLS
LLM	$((41.5 / \cos \alpha) - (46.8 \tan \alpha))$	LM = ML - LLM - RLM
LLD	LLM + (17.5 tan $\alpha$ )	LD = ML - LLD - RLD

MCW\_12.5.6

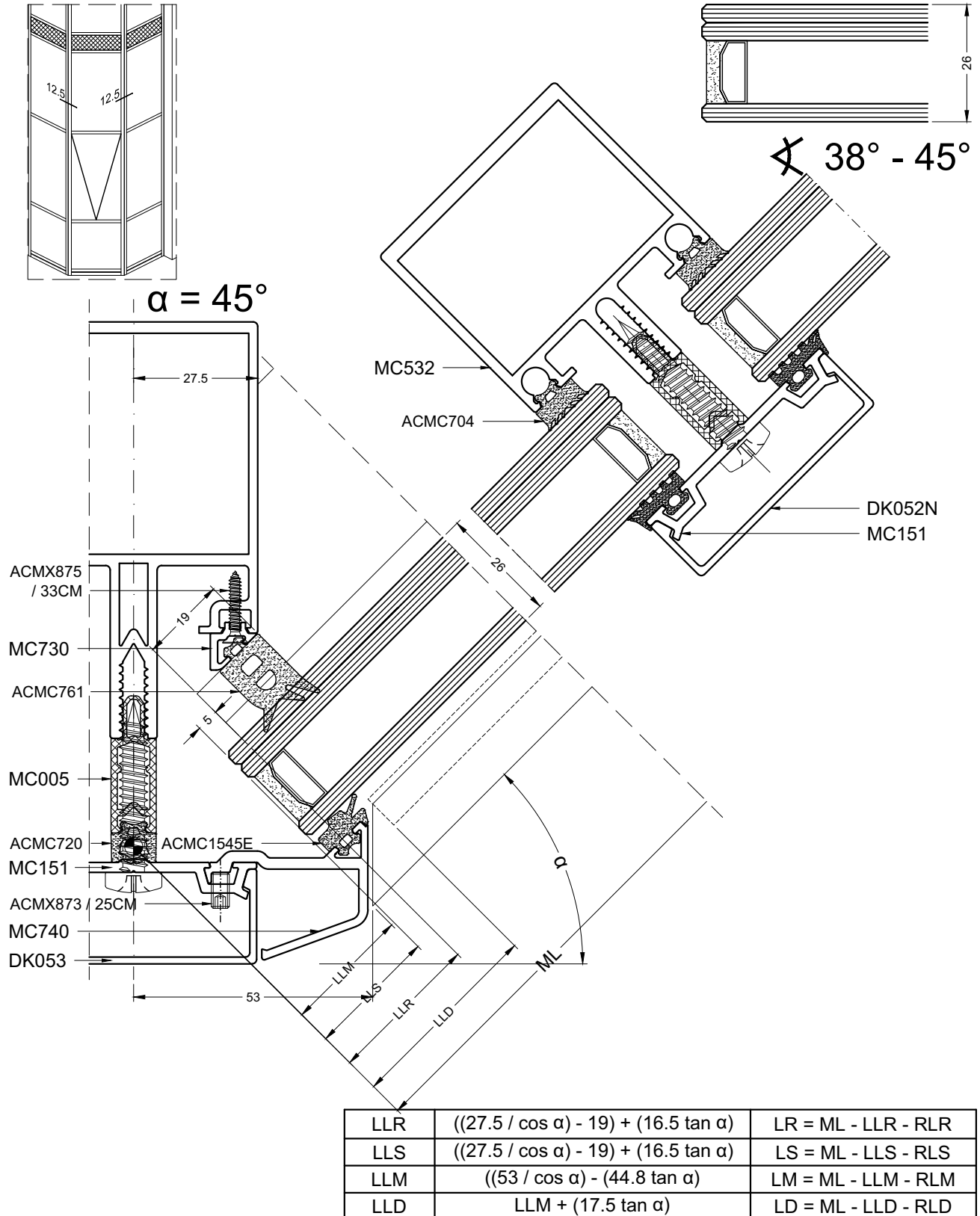
# MC-WALL

## 12.5.7



MCW\_12.5.7

## 12.5.8

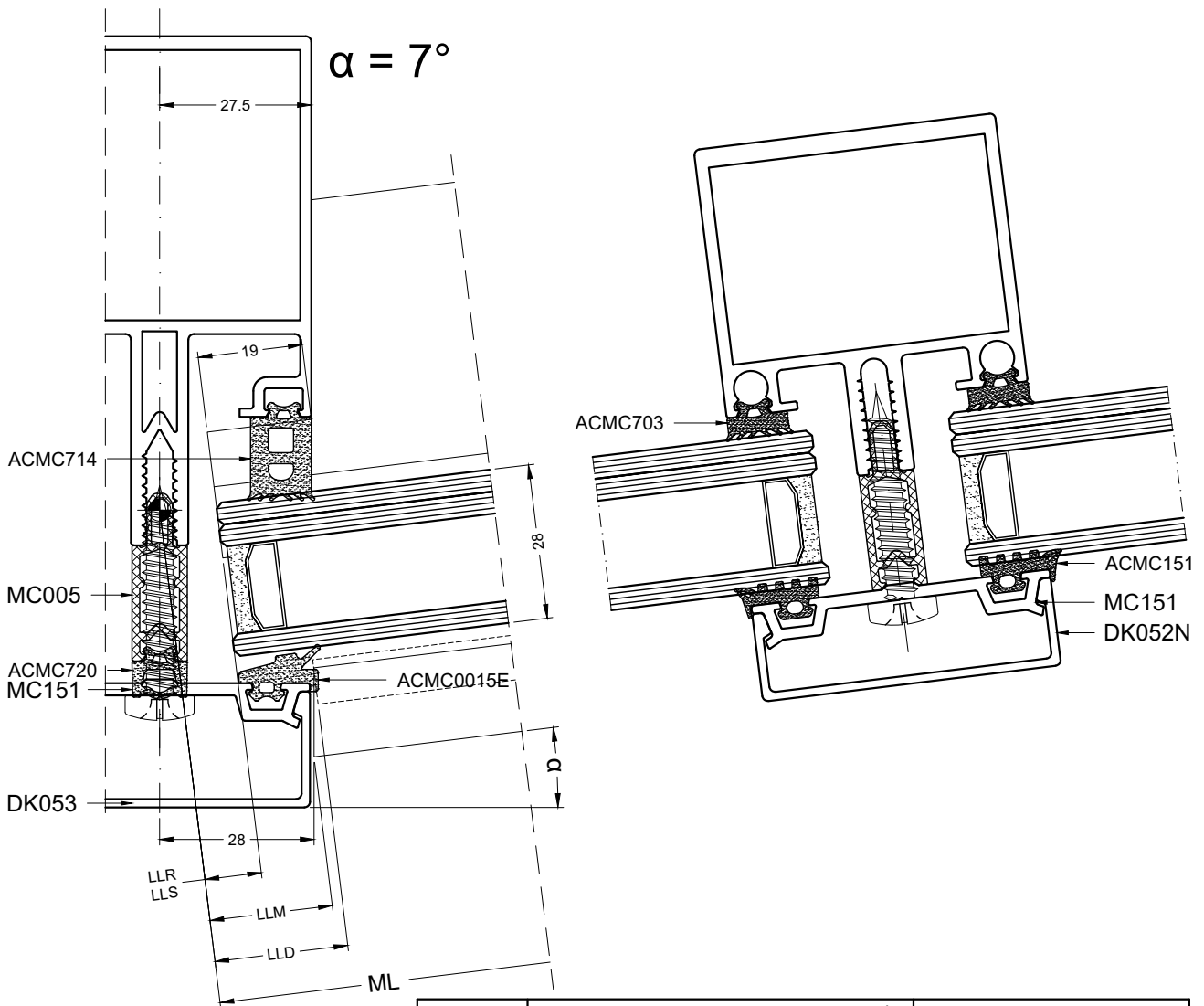
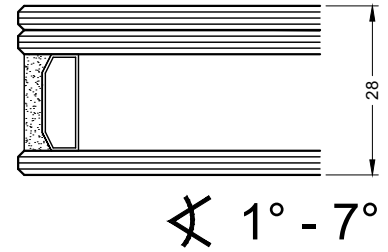
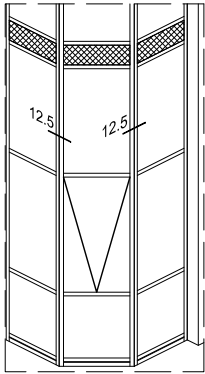


DOORSNEDETEKENINGEN - SECTION DE NOEUDS - PROFILKOMBINATIONEN - SECTION DRAWINGS

MCW\_12.5.8

# MC-WALL

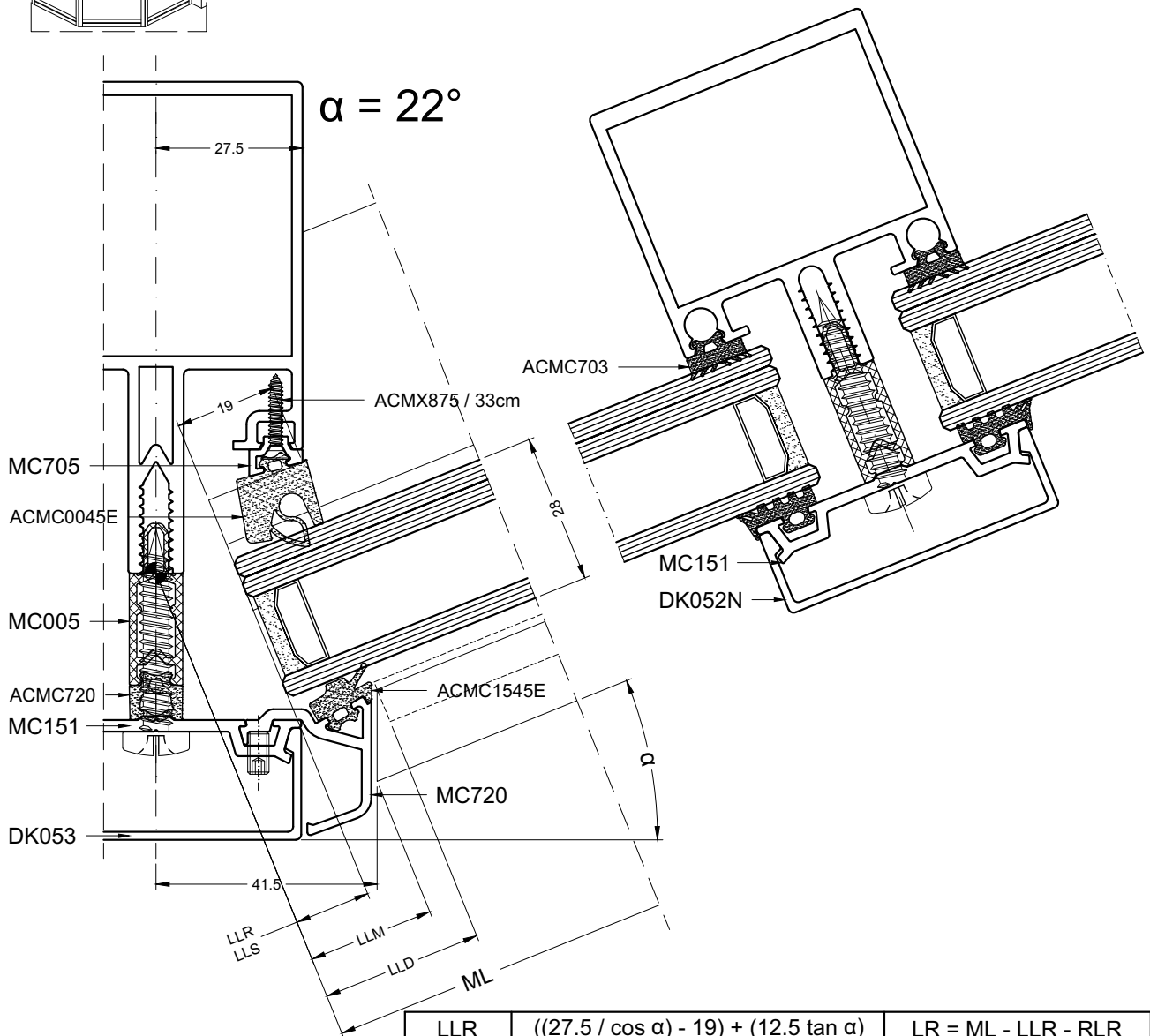
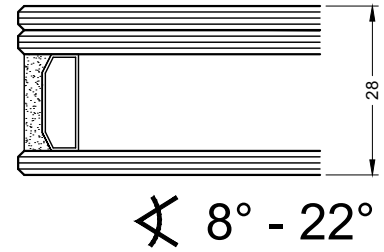
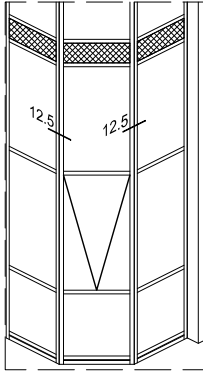
## 12.5.9



LLR	$((27.5 / \cos \alpha) - 19) + (12.5 \tan \alpha)$	LR = ML - LLR - RLR
LLS	$((27.5 / \cos \alpha) - 19) + (12.5 \tan \alpha)$	LS = ML - LLS - RLS
LLM	$((28 / \cos \alpha) - (48.8 \tan \alpha))$	LM = ML - LLM - RLM
LLD	LLM + $(17.5 \tan \alpha)$	LD = ML - LLD - RLD

MCW\_12.5.9

## 12.5.10

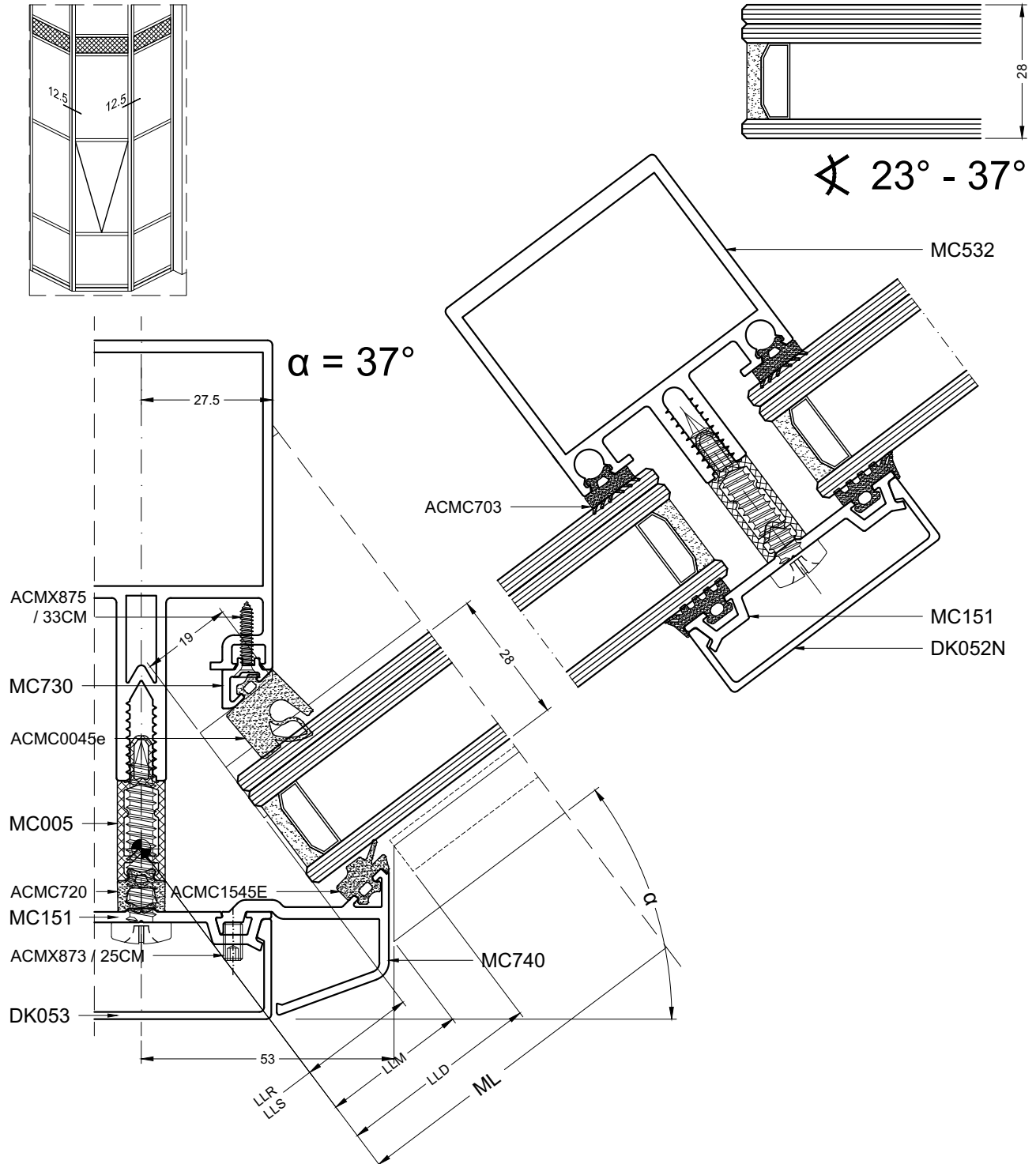


LLR	$((27.5 / \cos \alpha) - 19) + (12.5 \tan \alpha)$	LR = ML - LLR - RLR
LLS	$((27.5 / \cos \alpha) - 19) + (12.5 \tan \alpha)$	LS = ML - LLS - RLS
LLM	$((41.5 / \cos \alpha) - (48.8 \tan \alpha))$	LM = ML - LLM - RLM
LLD	LLM + $(17.5 \tan \alpha)$	LD = ML - LLD - RLD

MCW\_12.5.10

# MC-WALL

## 12.5.11

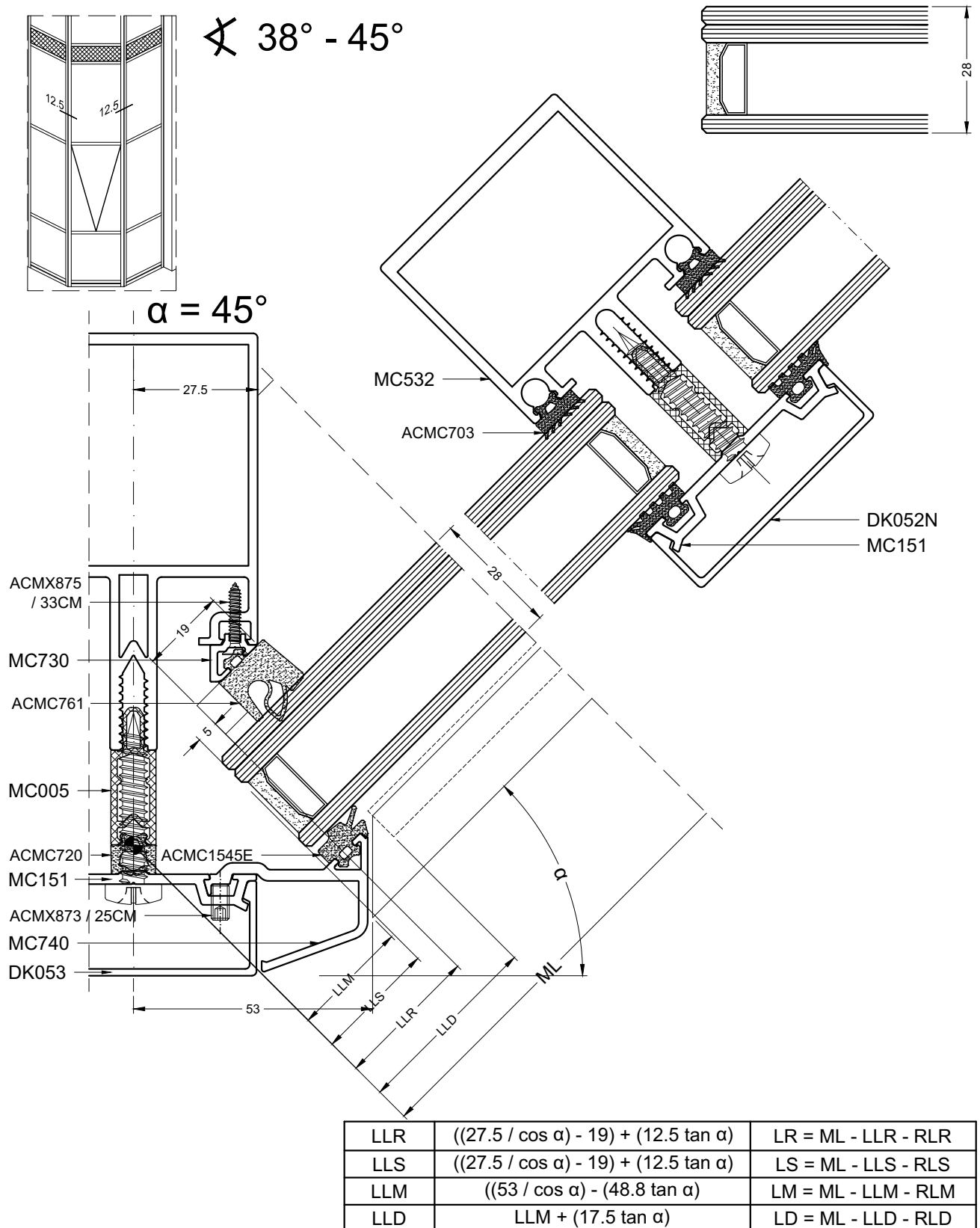


LLR	$((27.5 / \cos \alpha) - 19) + (12.5 \tan \alpha)$	LR = ML - LLR - RLR
LLS	$((27.5 / \cos \alpha) - 19) + (12.5 \tan \alpha)$	LS = ML - LLS - RLS
LLM	$((53 / \cos \alpha) - (48.8 \tan \alpha))$	LM = ML - LLM - RLM
LLD	$LLM + (17.5 \tan \alpha)$	LD = ML - LLD - RLD

MCW\_12.5.11



## 12.5.12

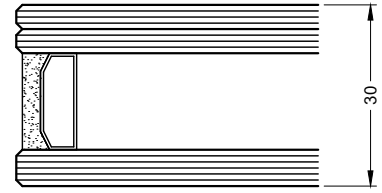
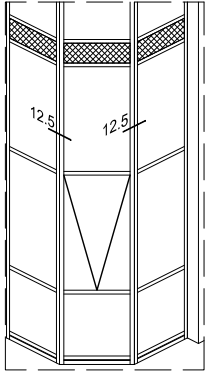


DOORSNEDETEKENINGEN - SECTION DE NOEUDS - PROFILKOMBINATIONEN - SECTION DRAWINGS

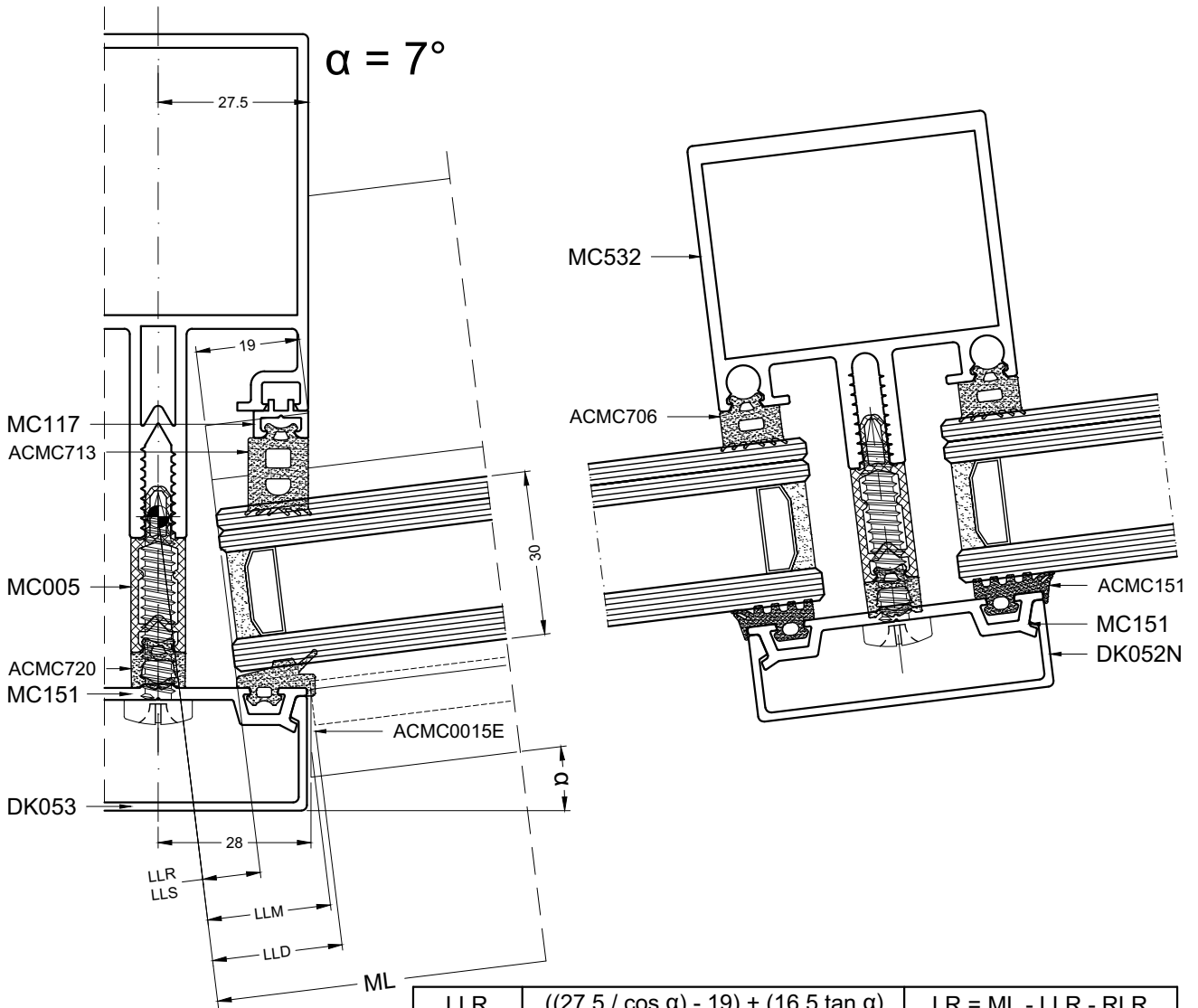
MCW\_12.5.12

# MC-WALL

## 12.5.13



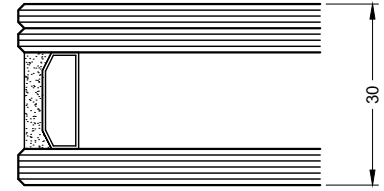
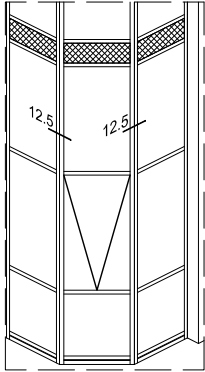
∠ 1° - 7°



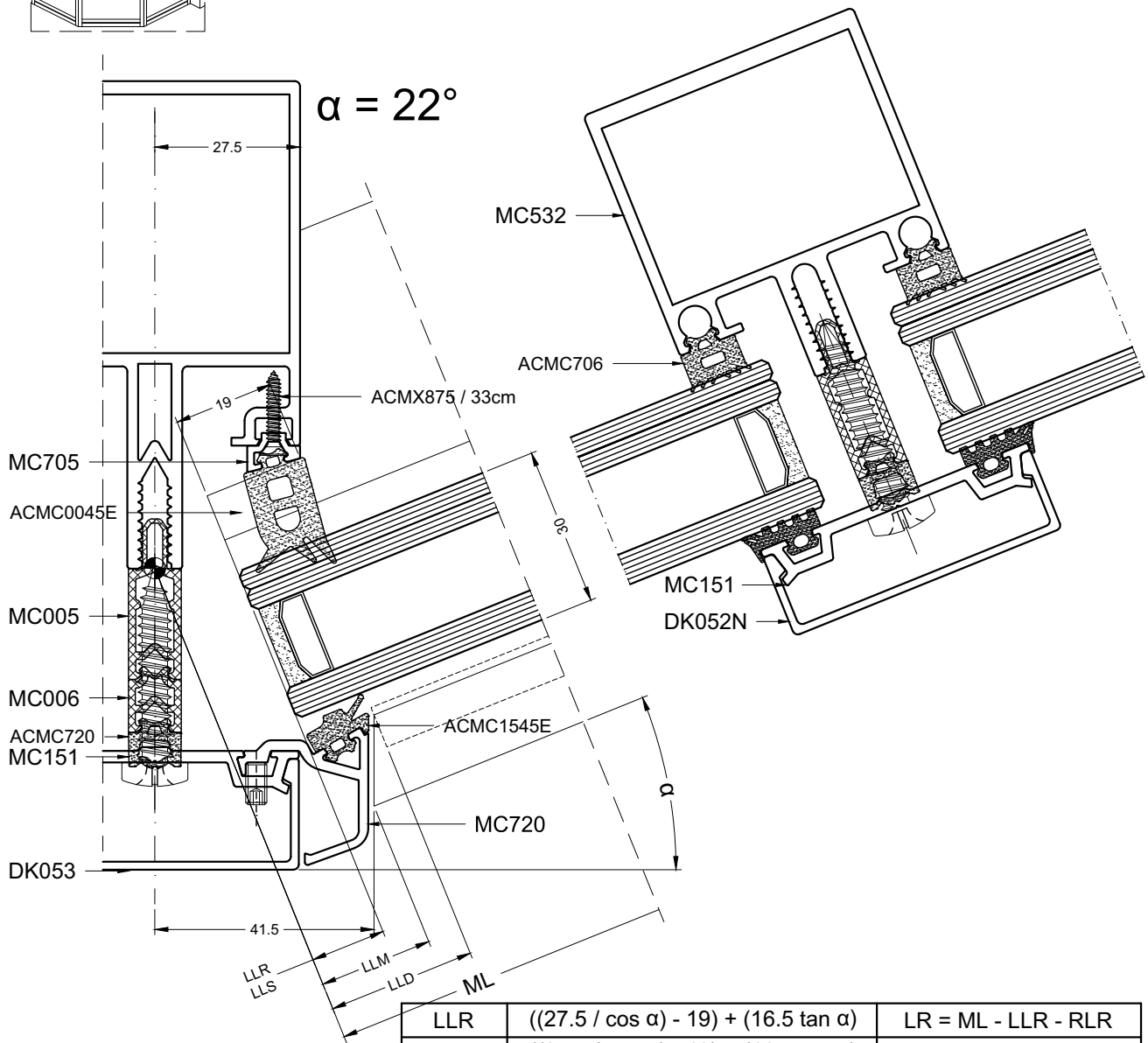
LLR	$((27.5 / \cos \alpha) - 19) + (16.5 \tan \alpha)$	LR = ML - LLR - RLR
LLS	$((27.5 / \cos \alpha) - 19) + (16.5 \tan \alpha)$	LS = ML - LLS - RLS
LLM	$((28 / \cos \alpha) - (50.8 \tan \alpha))$	LM = ML - LLM - RLM
LLD	$LLM + (17.5 \tan \alpha)$	LD = ML - LLD - RLD

MCW\_12.5.13

## 12.5.14



$\sphericalangle$  8° - 22°

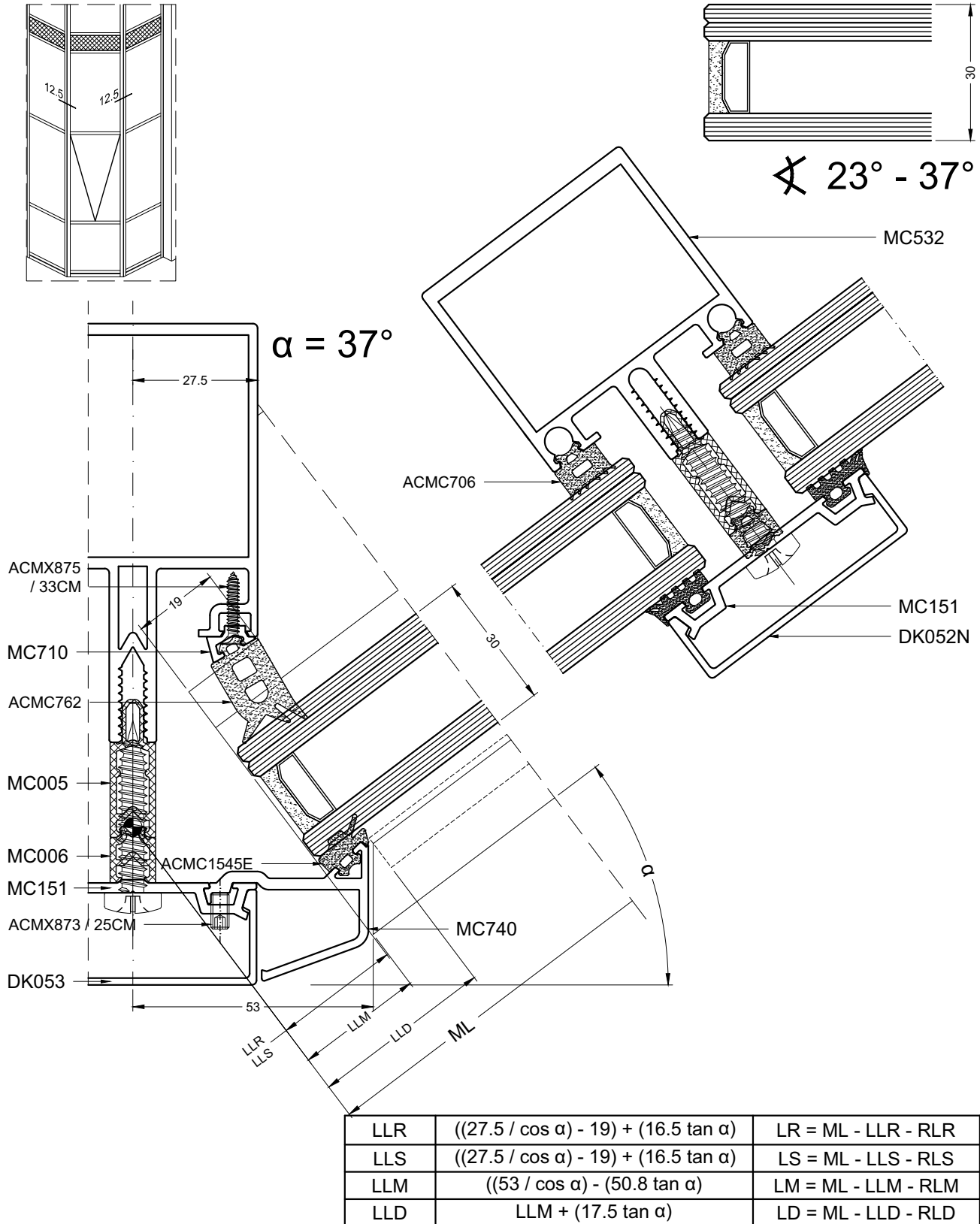


LLR	$((27.5 / \cos \alpha) - 19) + (16.5 \tan \alpha)$	LR = ML - LLR - RLR
LLS	$((27.5 / \cos \alpha) - 19) + (16.5 \tan \alpha)$	LS = ML - LLS - RLS
LLM	$((41.5 / \cos \alpha) - (50.8 \tan \alpha))$	LM = ML - LLM - RLM
LLD	LLM + (17.5 tan $\alpha$ )	LD = ML - LLD - RLD

MCW\_12.5.14

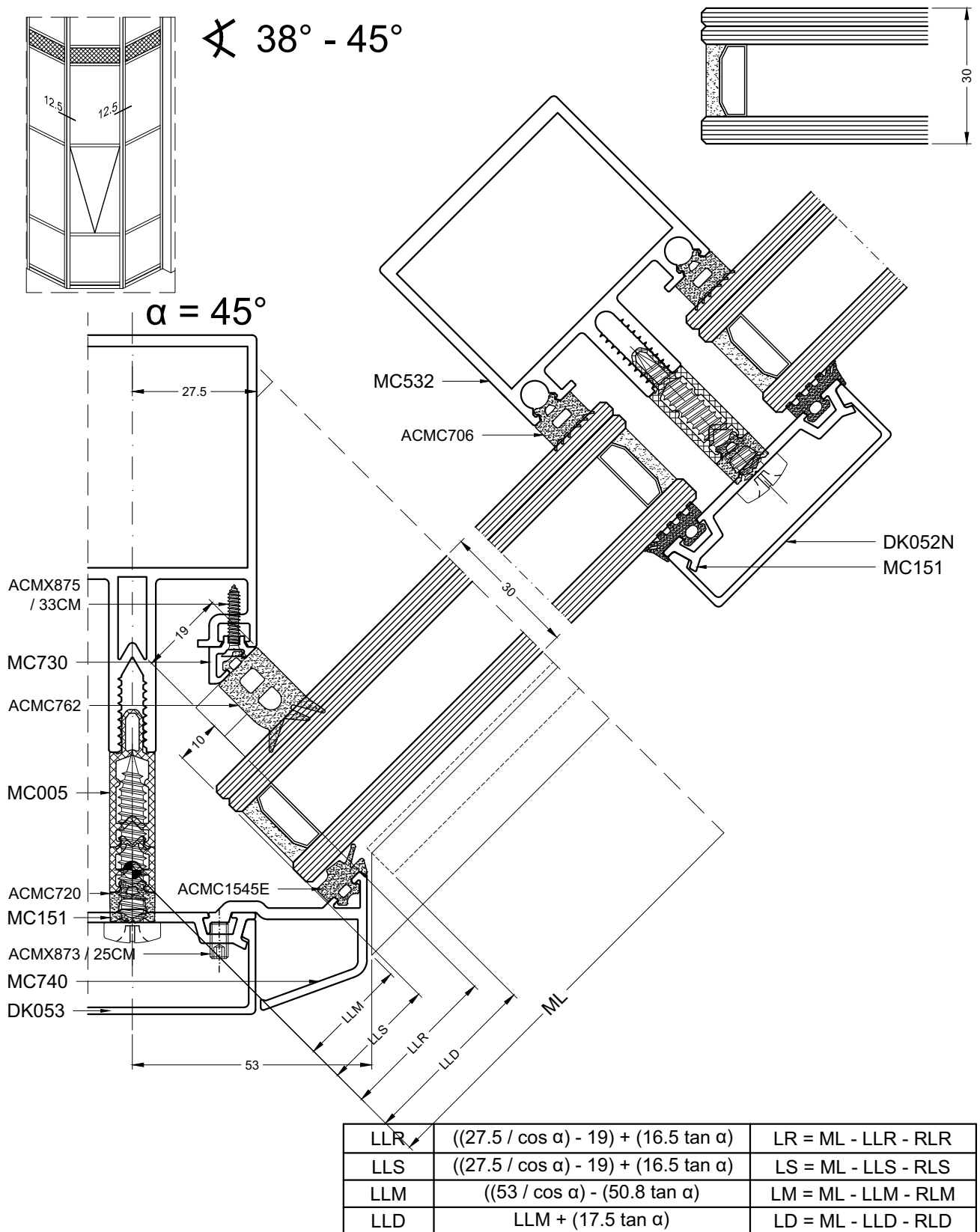
# MC-WALL

## 12.5.15



MCW\_12.5.15

## 12.5.16

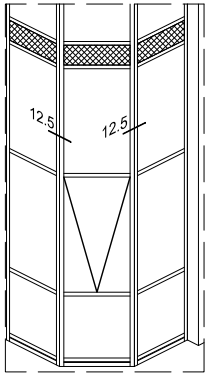


DOORSNEDETEKENINGEN - SECTION DE NOEUDS - PROFILKOMBINATIONEN - SECTION DRAWINGS

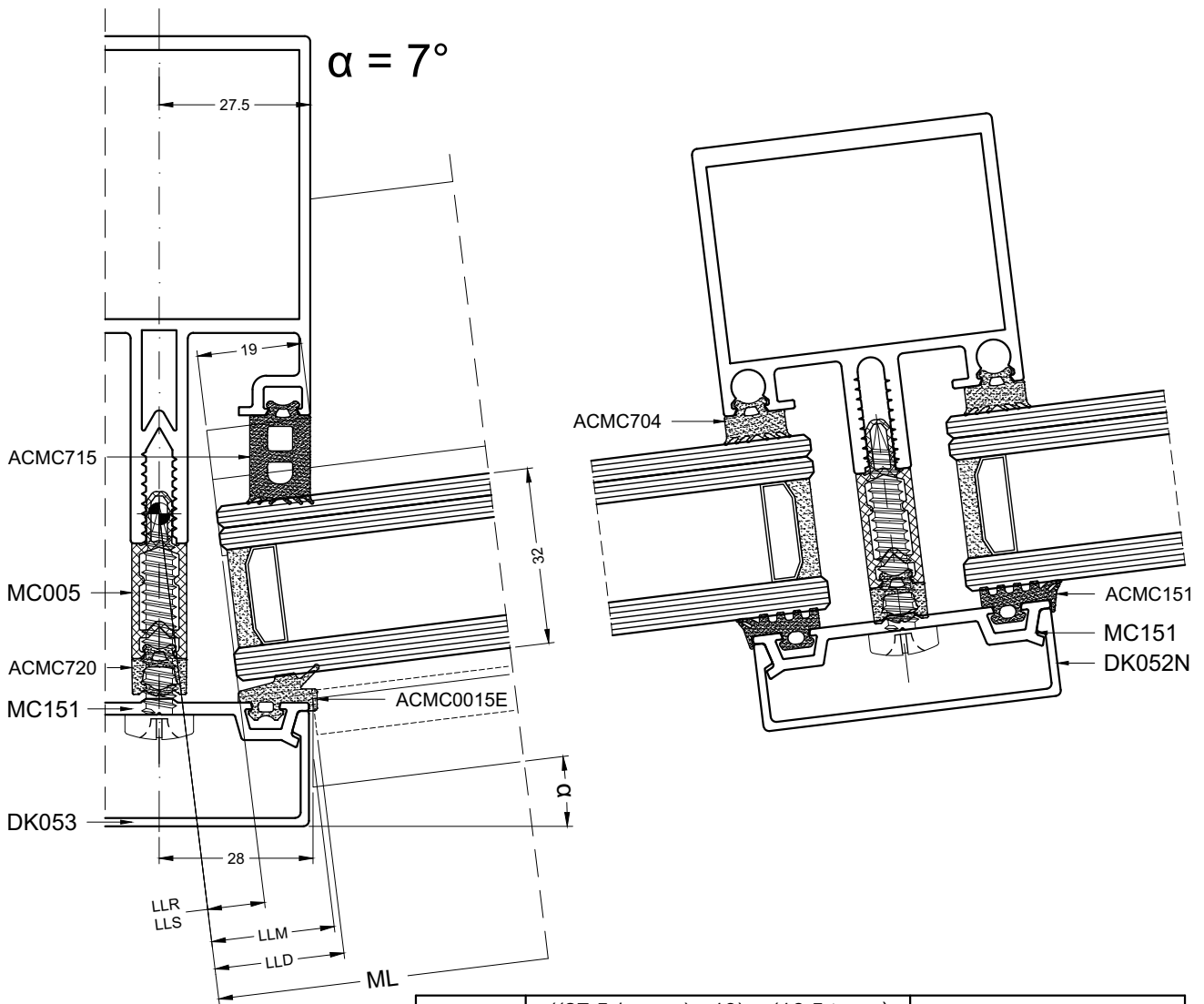
MCW\_12.5.16

# MC-WALL

## 12.5.17



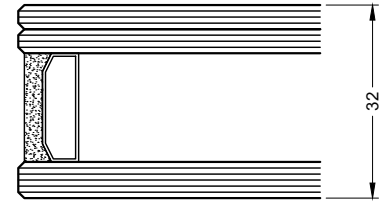
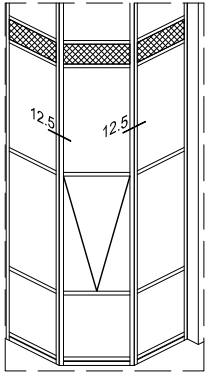
∠ 1° - 7°



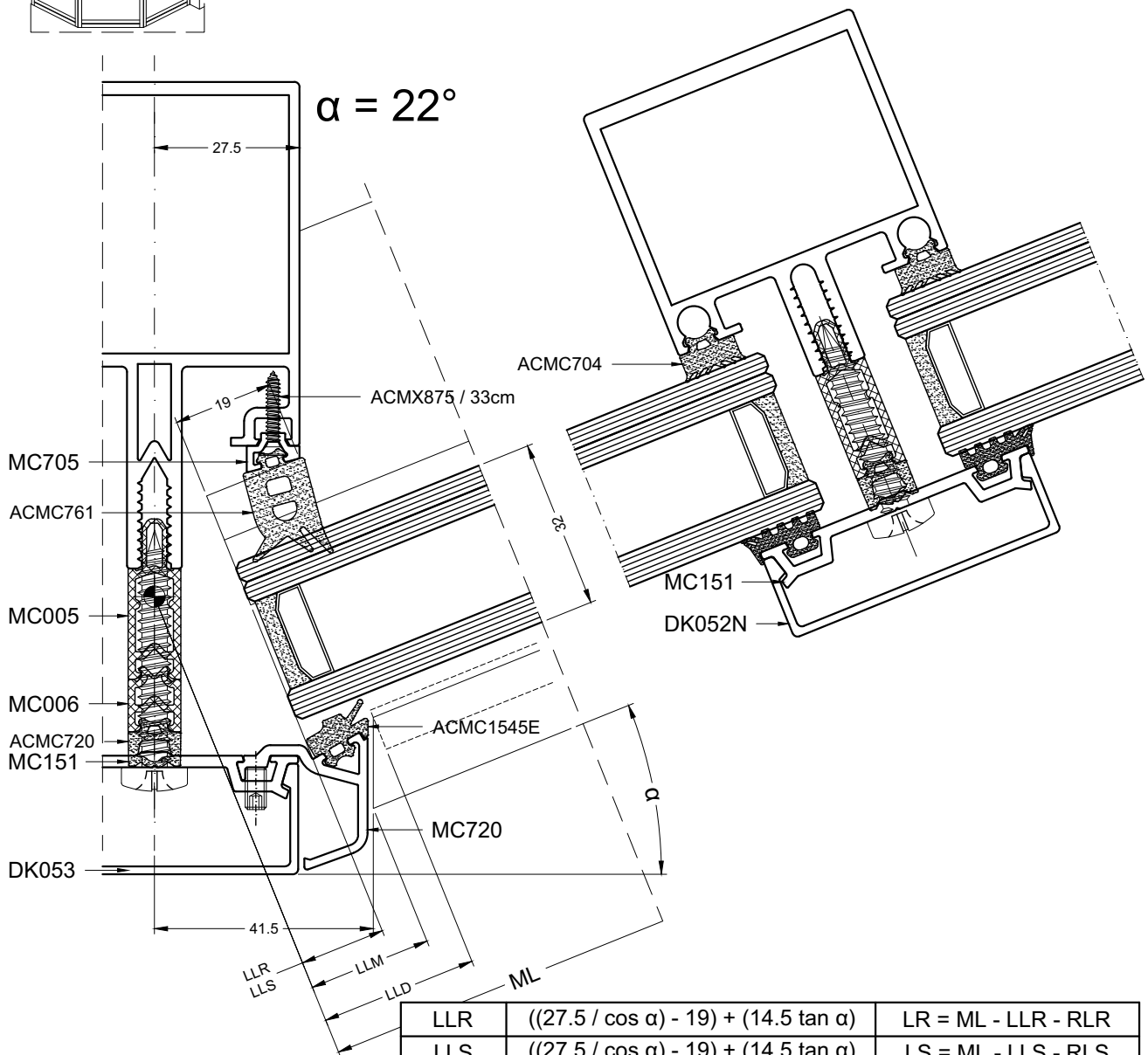
LLR	$((27.5 / \cos \alpha) - 19) + (16.5 \tan \alpha)$	LR = ML - LLR - RLR
LLS	$((27.5 / \cos \alpha) - 19) + (16.5 \tan \alpha)$	LS = ML - LLS - RLS
LLM	$((28 / \cos \alpha) - (52.8 \tan \alpha))$	LM = ML - LLM - RLM
LLD	$LLM + (17.5 \tan \alpha)$	LD = ML - LLD - RLD

MCW\_12.5.17

## 12.5.18



∠ 8° - 22°

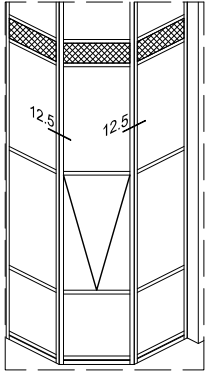


LLR	$((27.5 / \cos \alpha) - 19) + (14.5 \tan \alpha)$	LR = ML - LLR - RLR
LLS	$((27.5 / \cos \alpha) - 19) + (14.5 \tan \alpha)$	LS = ML - LLS - RLS
LLM	$((41.5 / \cos \alpha) - (52.8 \tan \alpha))$	LM = ML - LLM - RLM
LLD	LLM + (17.5 tan α)	LD = ML - LLD - RLD

MCW\_12.5.18

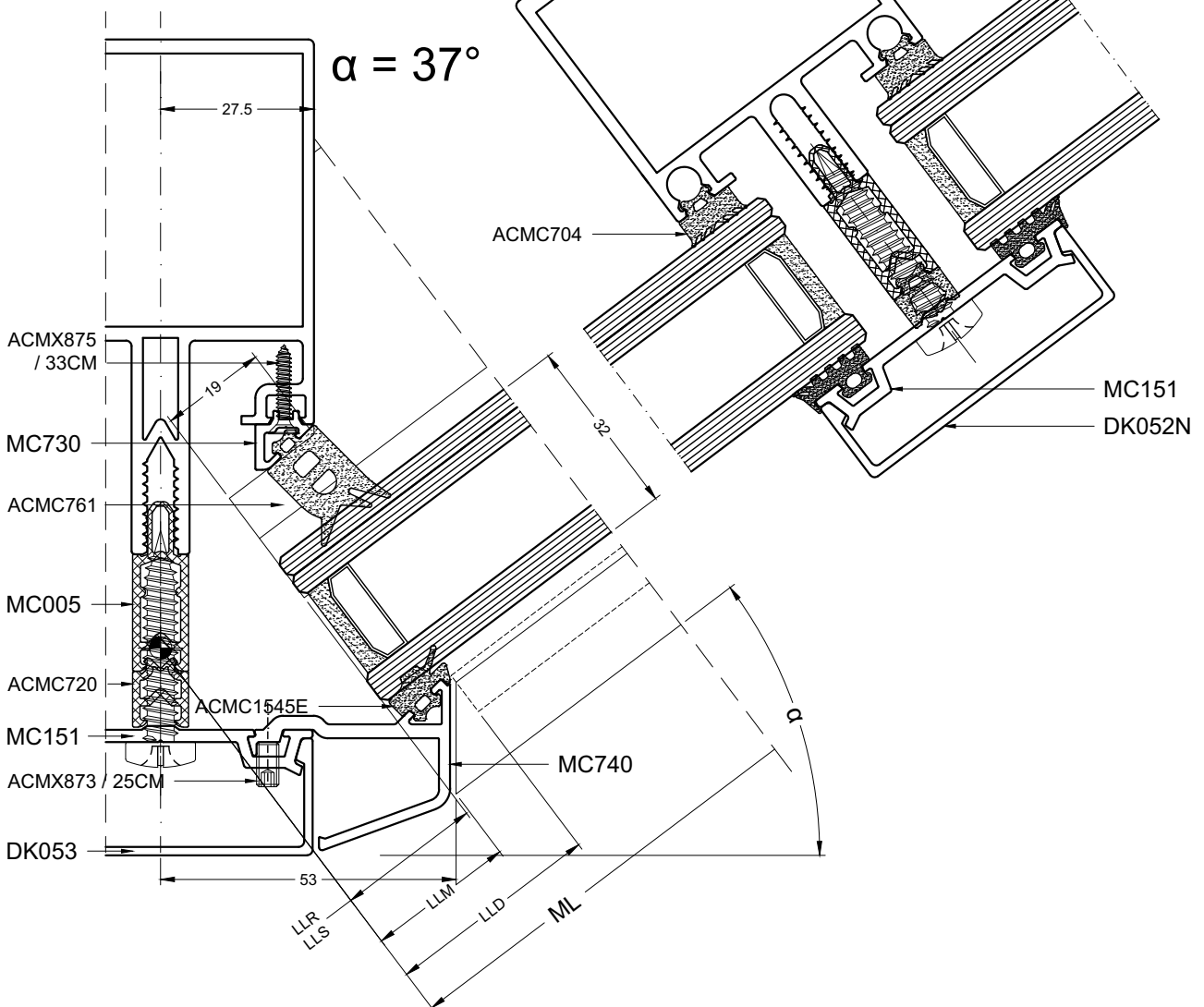
# MC-WALL

## 12.5.19



$\alpha$  23° - 37°

MC532

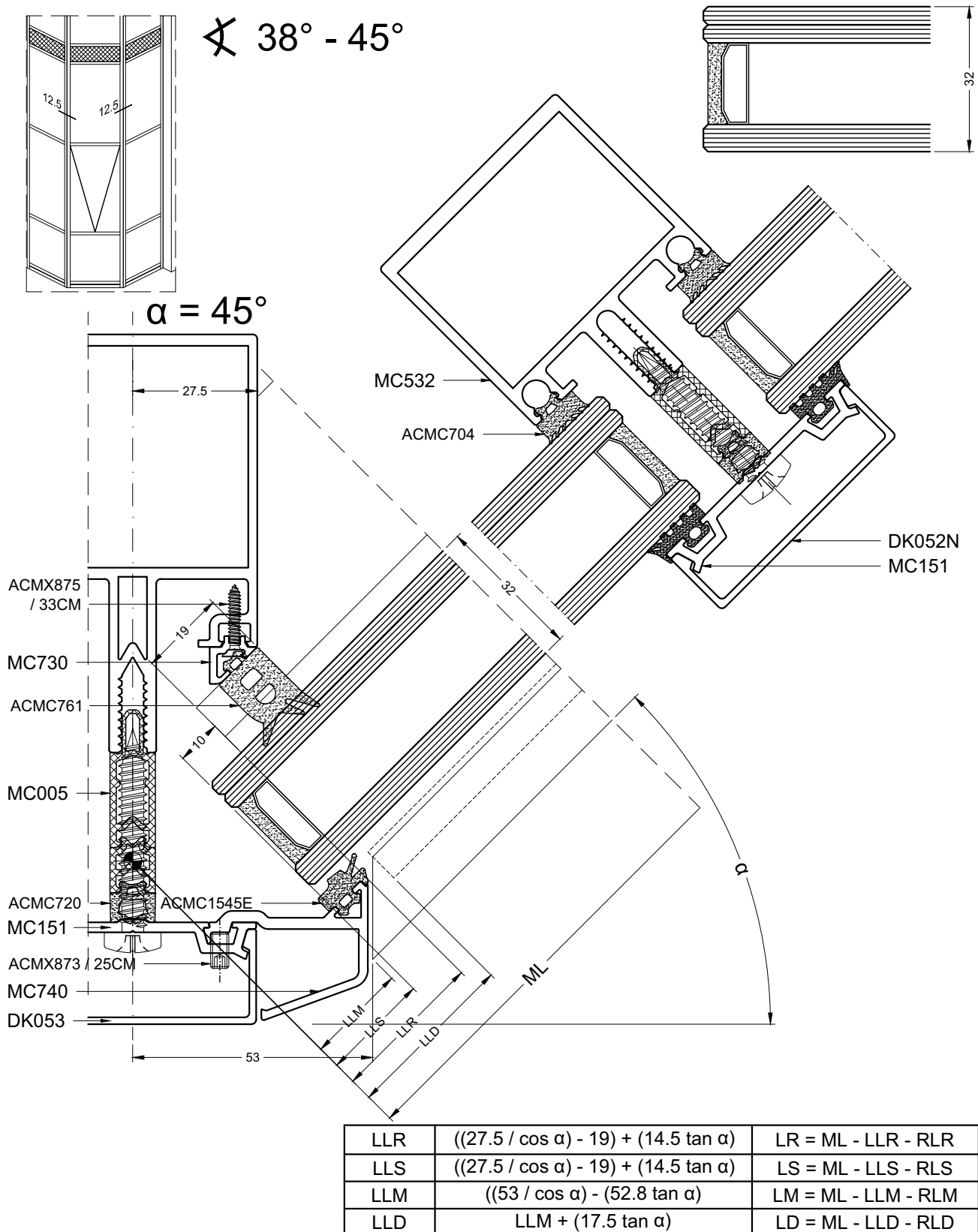


LLR	$((27.5 / \cos \alpha) - 19) + (14.5 \tan \alpha)$	LR = ML - LLR - RLR
LLS	$((27.5 / \cos \alpha) - 19) + (14.5 \tan \alpha)$	LS = ML - LLS - RLS
LLM	$((53 / \cos \alpha) - (52.8 \tan \alpha))$	LM = ML - LLM - RLM
LLD	$LLM + (17.5 \tan \alpha)$	LD = ML - LLD - RLD

MCW\_12.5.19



## 12.5.20

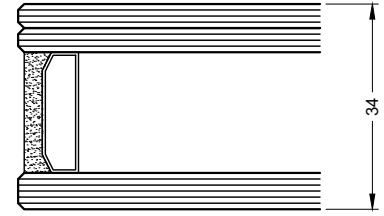
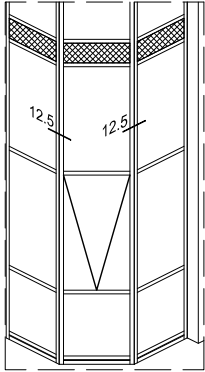


DOORSNEDETEKENINGEN - SECTION DE NOEUDS - PROFILKOMBINATIONEN - SECTION DRAWINGS

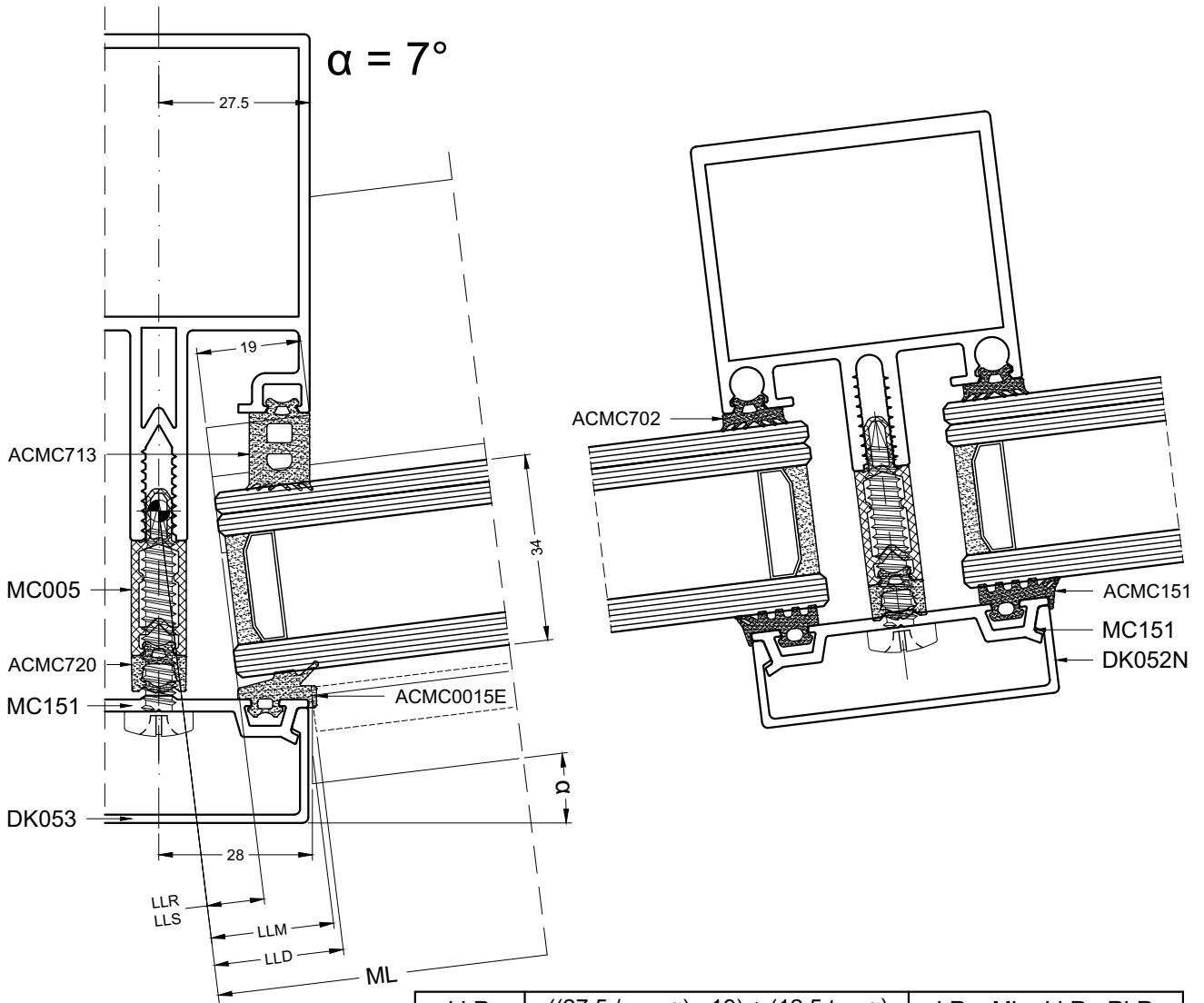
MCW\_12.5.20

# MC-WALL

## 12.5.21



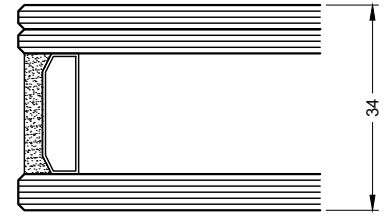
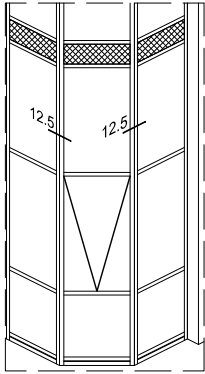
∠ 1° - 7°



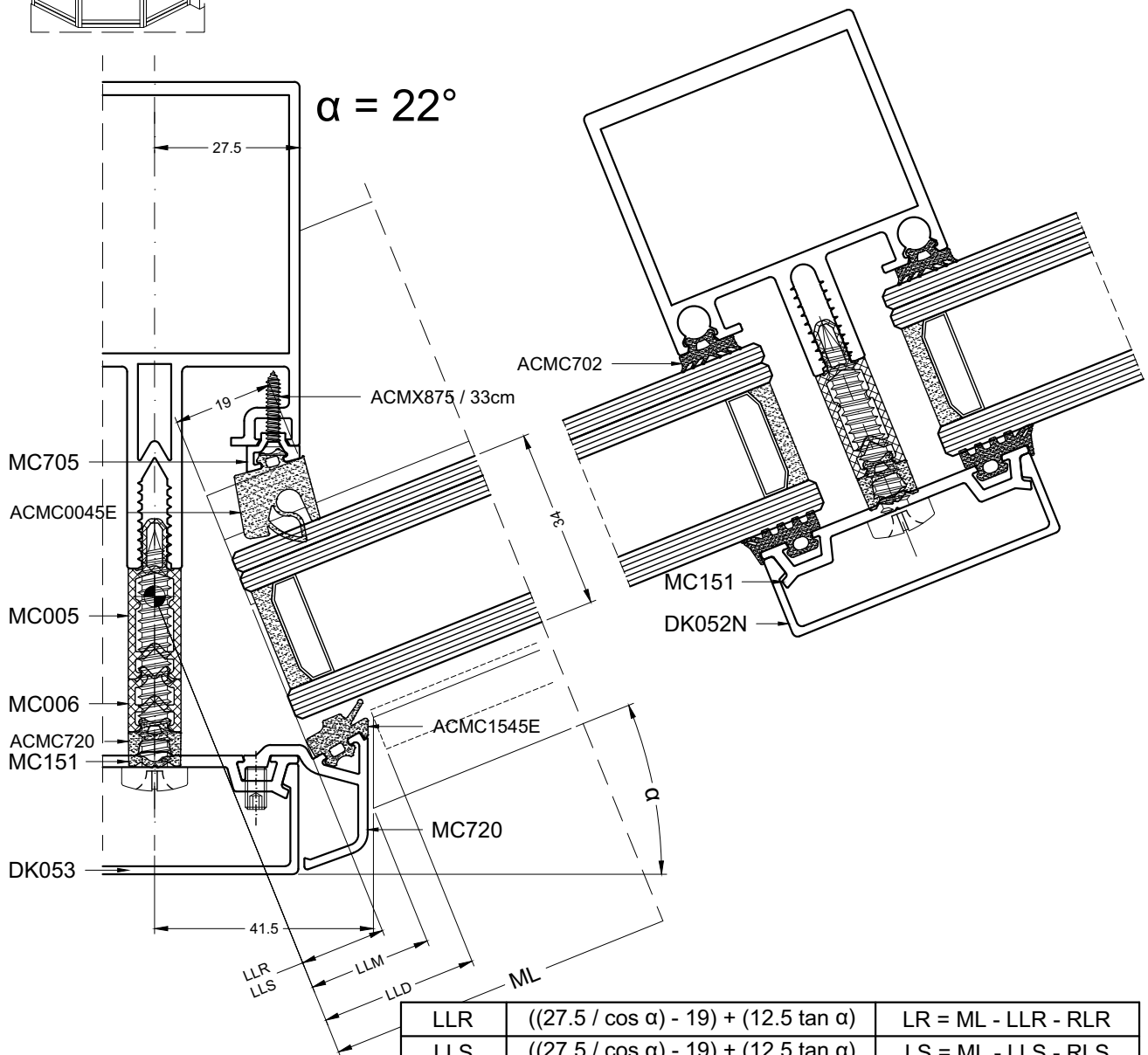
LLR	$((27.5 / \cos \alpha) - 19) + (12.5 \tan \alpha)$	LR = ML - LLR - RLR
LLS	$((27.5 / \cos \alpha) - 19) + (12.5 \tan \alpha)$	LS = ML - LLS - RLS
LLM	$((28 / \cos \alpha) - (54.8 \tan \alpha))$	LM = ML - LLM - RLM
LLD	$LLM + (17.5 \tan \alpha)$	LD = ML - LLD - RLD

MCW\_12.5.21

## 12.5.22



∠ 8° - 22°

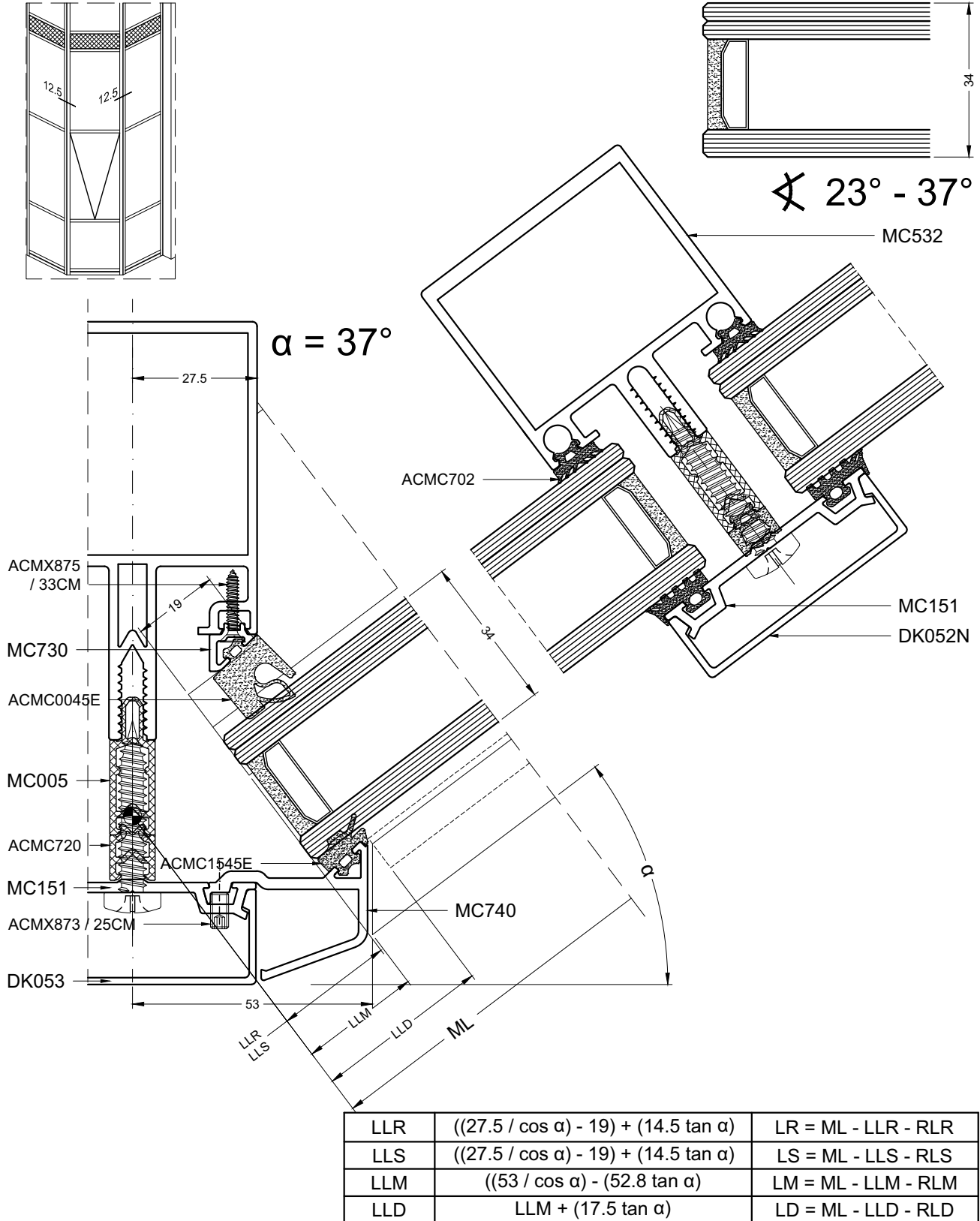


LLR	$((27.5 / \cos \alpha) - 19) + (12.5 \tan \alpha)$	LR = ML - LLR - RLR
LLS	$((27.5 / \cos \alpha) - 19) + (12.5 \tan \alpha)$	LS = ML - LLS - RLS
LLM	$((41.5 / \cos \alpha) - (54.8 \tan \alpha))$	LM = ML - LLM - RLM
LLD	LLM + (17.5 tan α)	LD = ML - LLD - RLD

MCW\_12.5.22

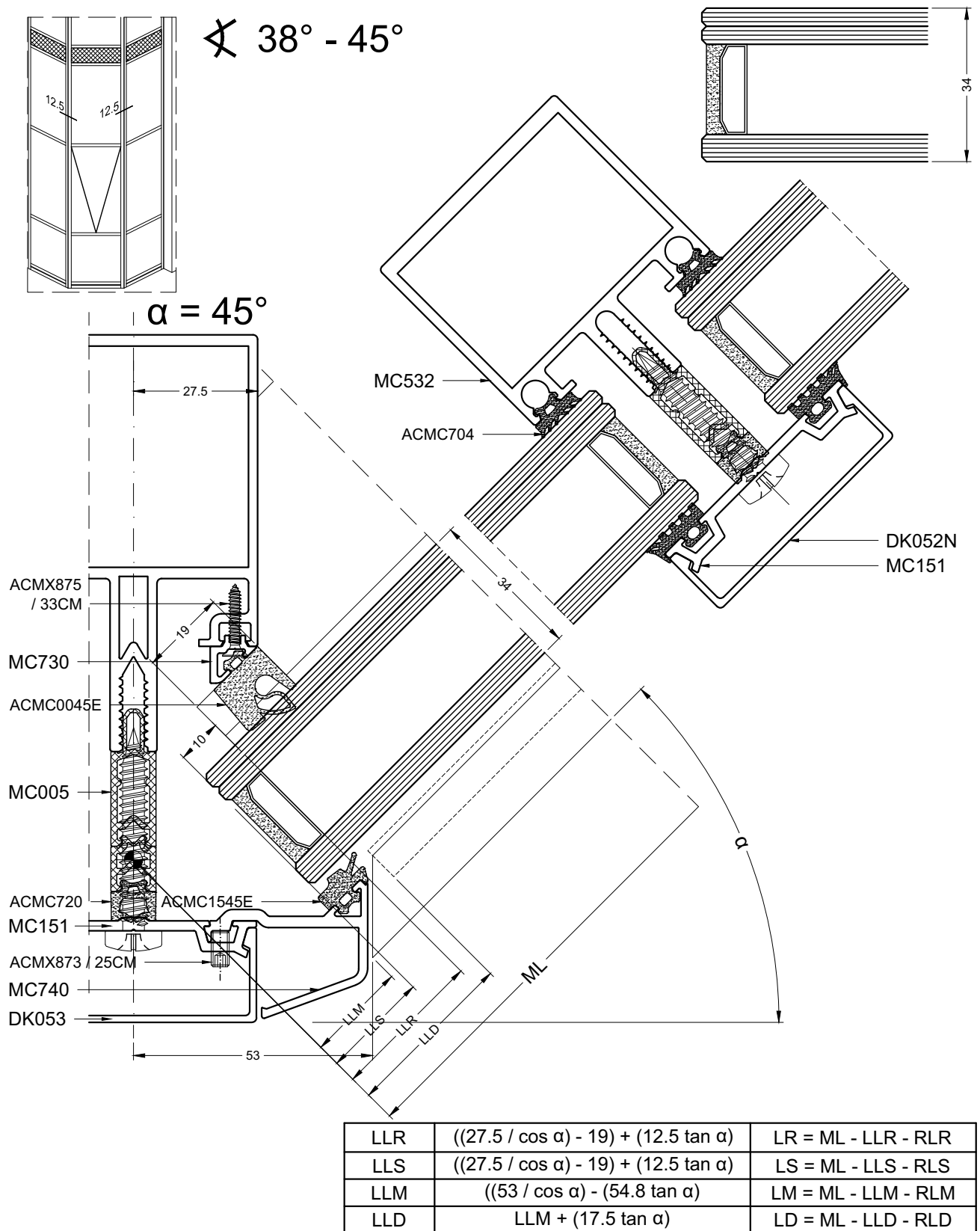
# MC-WALL

## 12.5.23



MCW\_12.5.23

## 12.5.24

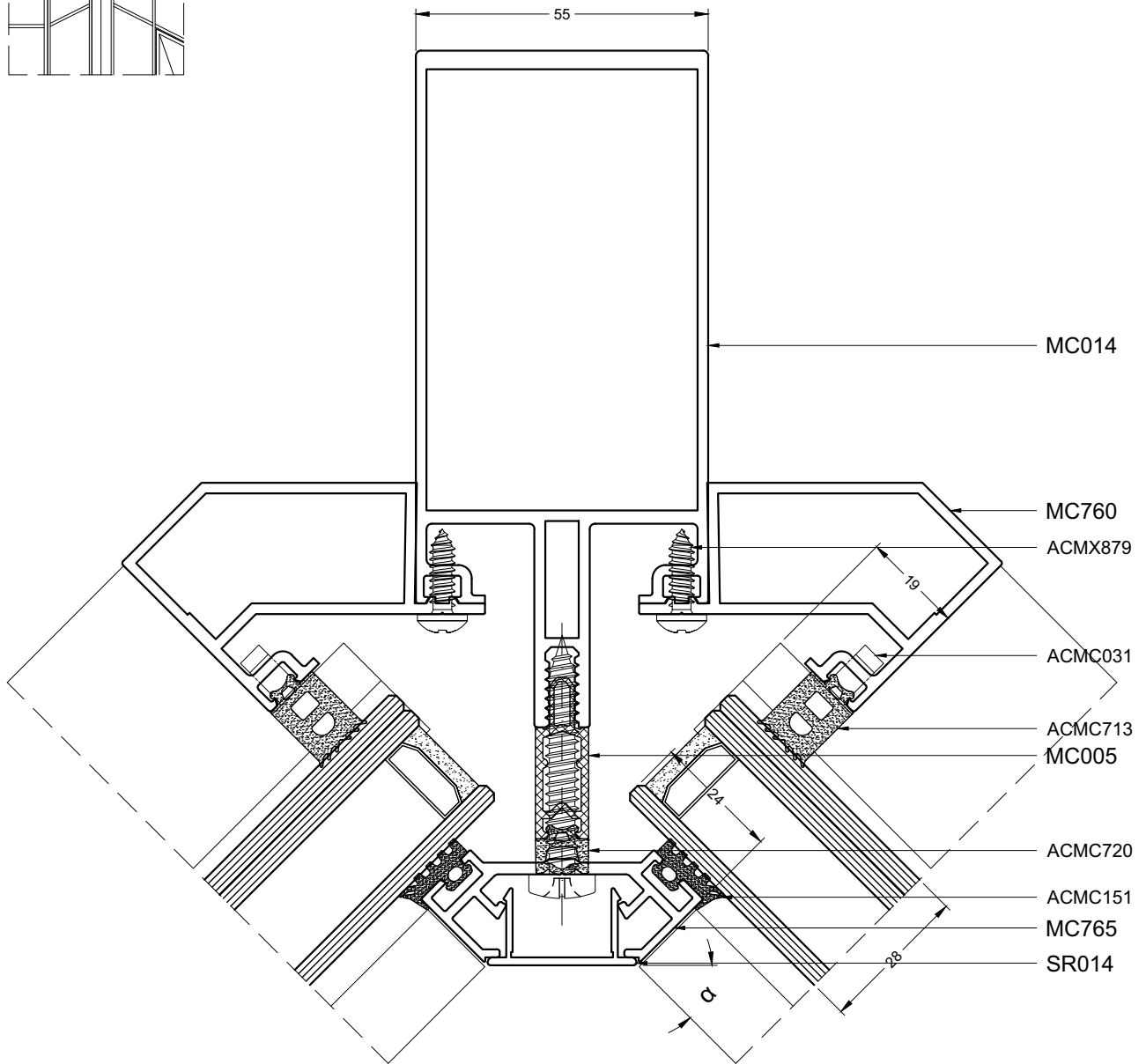
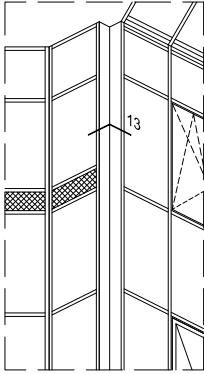


DOORSNEDETEKENINGEN - SECTION DE NOEUDS - PROFILKOMBINATIONEN - SECTION DRAWINGS

MCW\_12.5.24

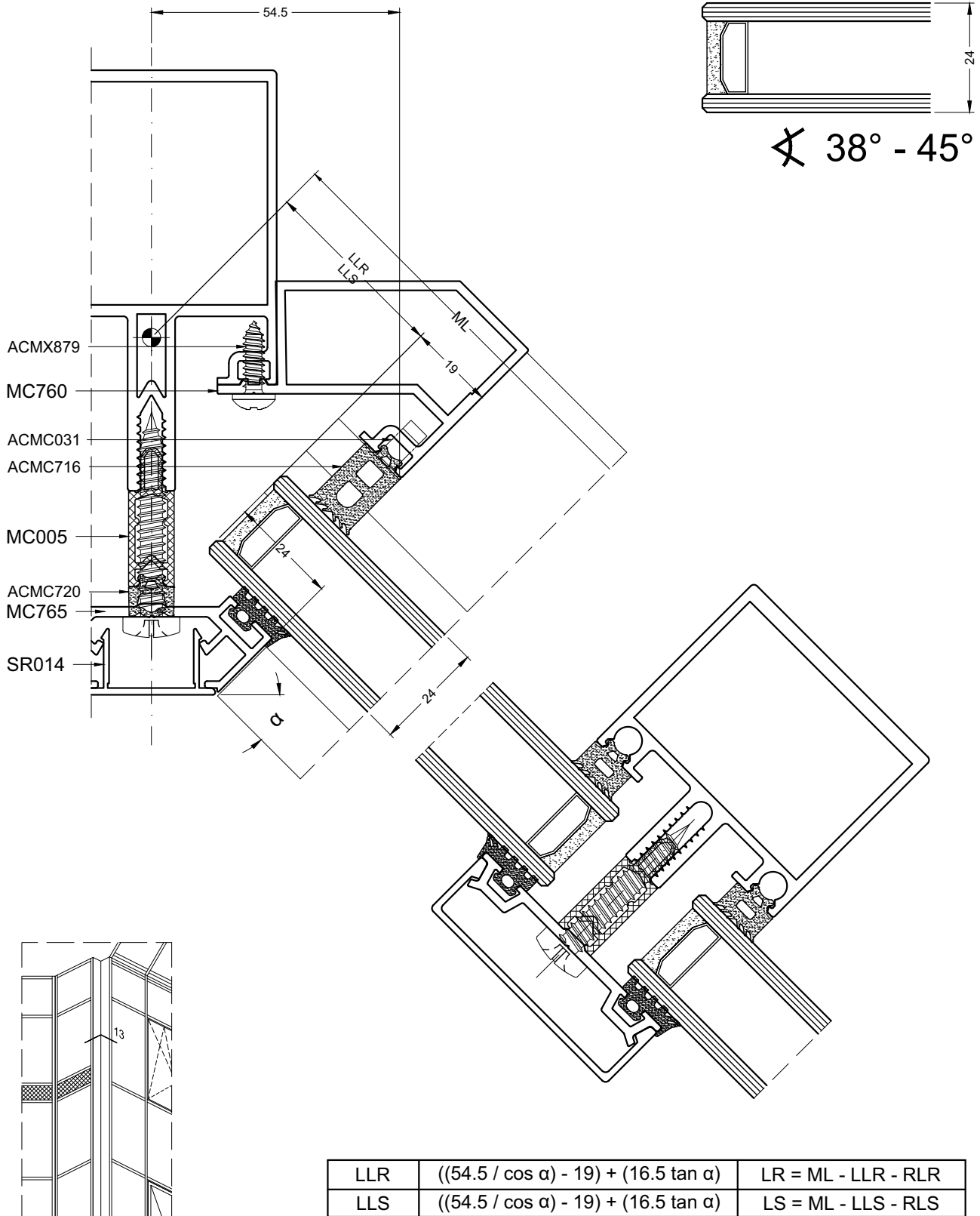
# MC-WALL

## 13.1



MCW\_13.1

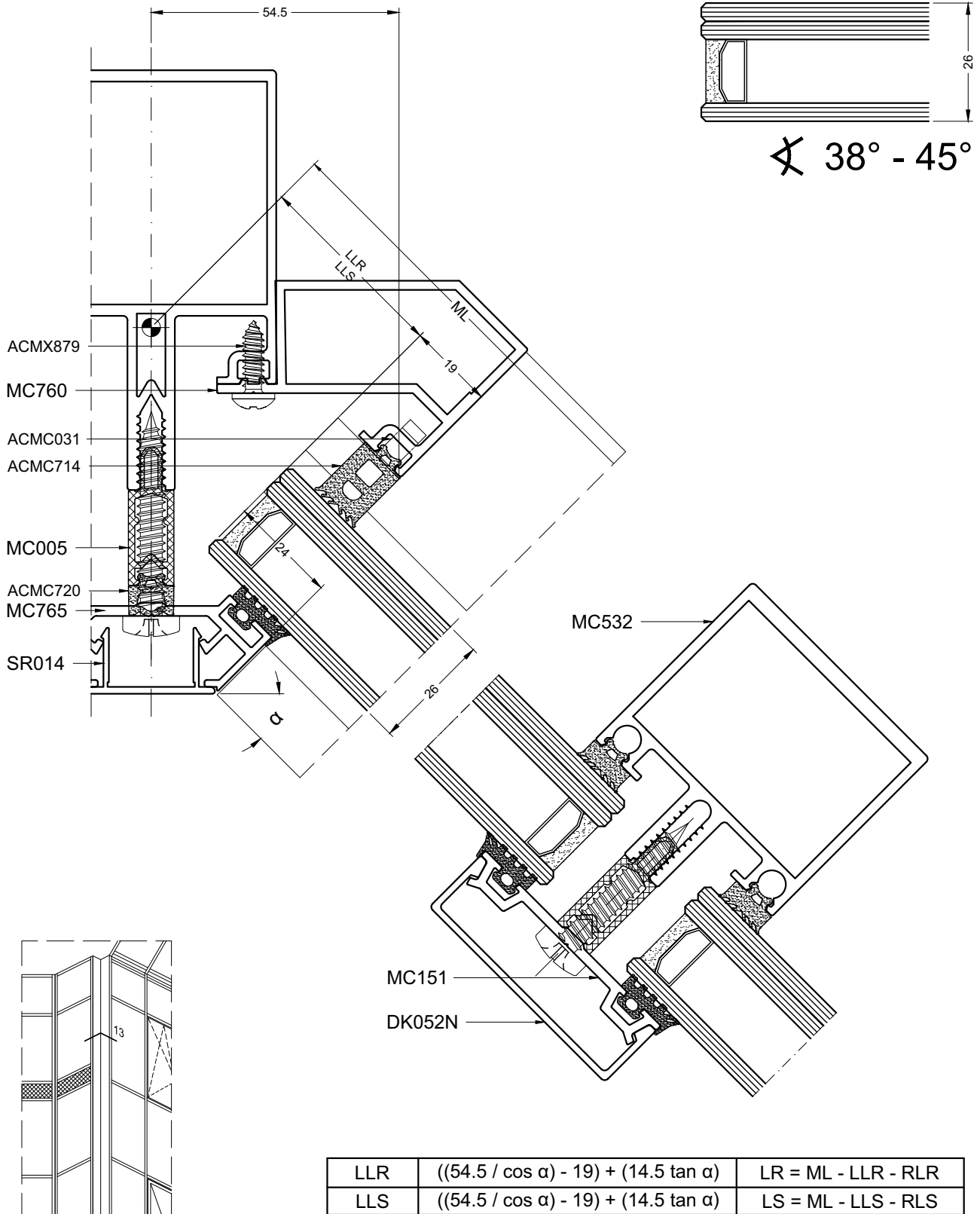
## 13.1.1



MCW\_13.1.1

# MC-WALL

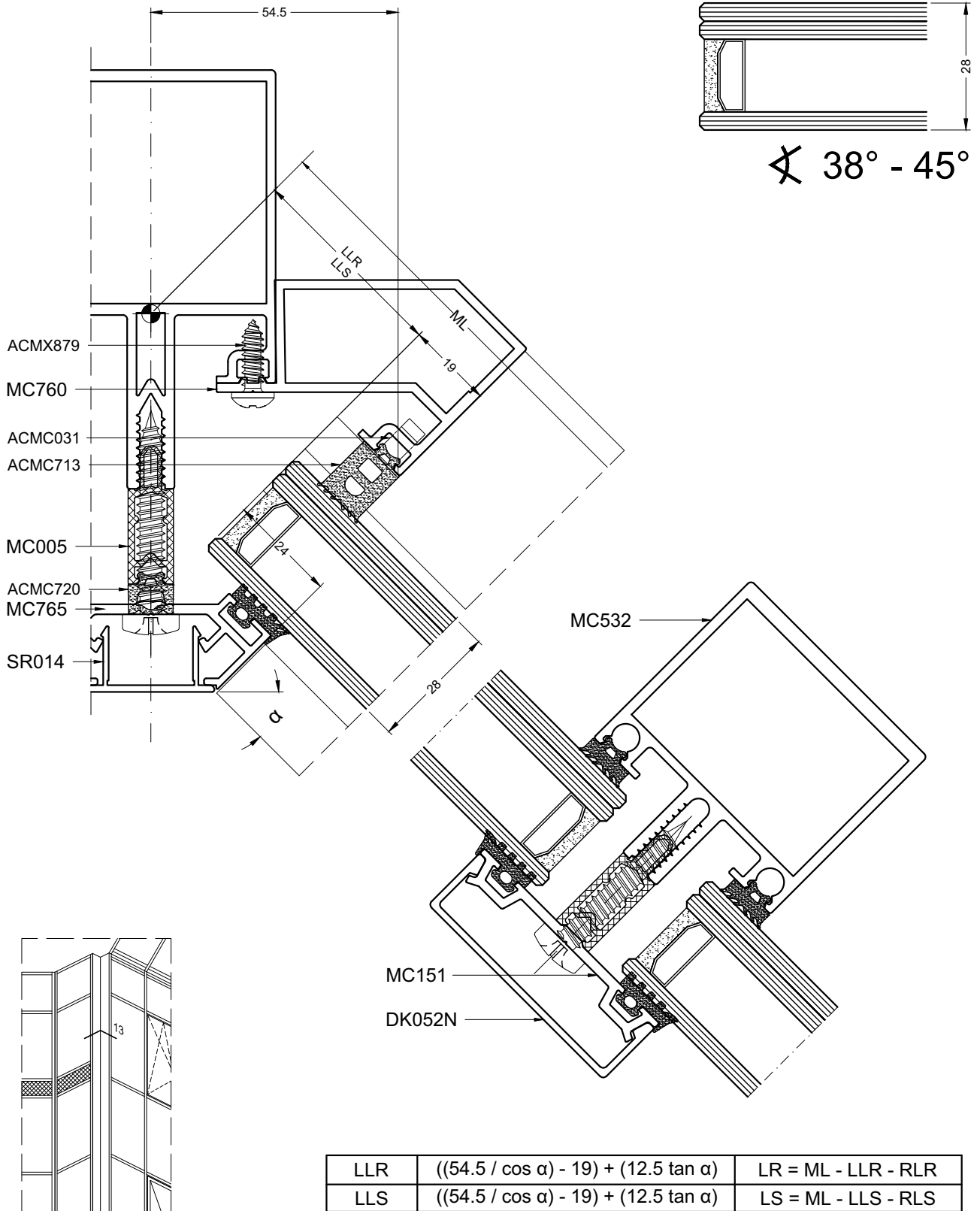
## 13.1.2



MCW\_13.1.2



## 13.1.3



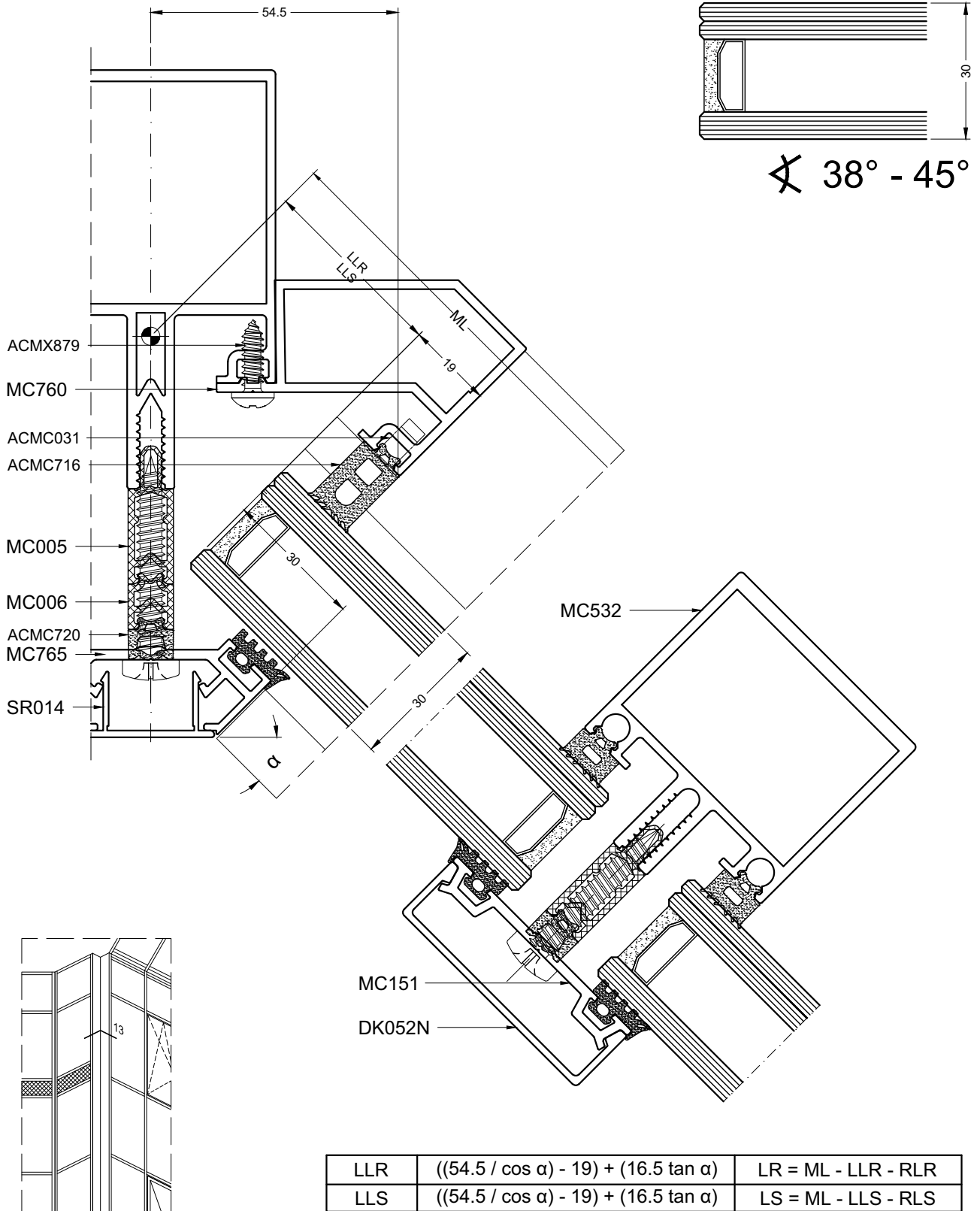
MCW\_13.1.3

**aliplast**  
member of



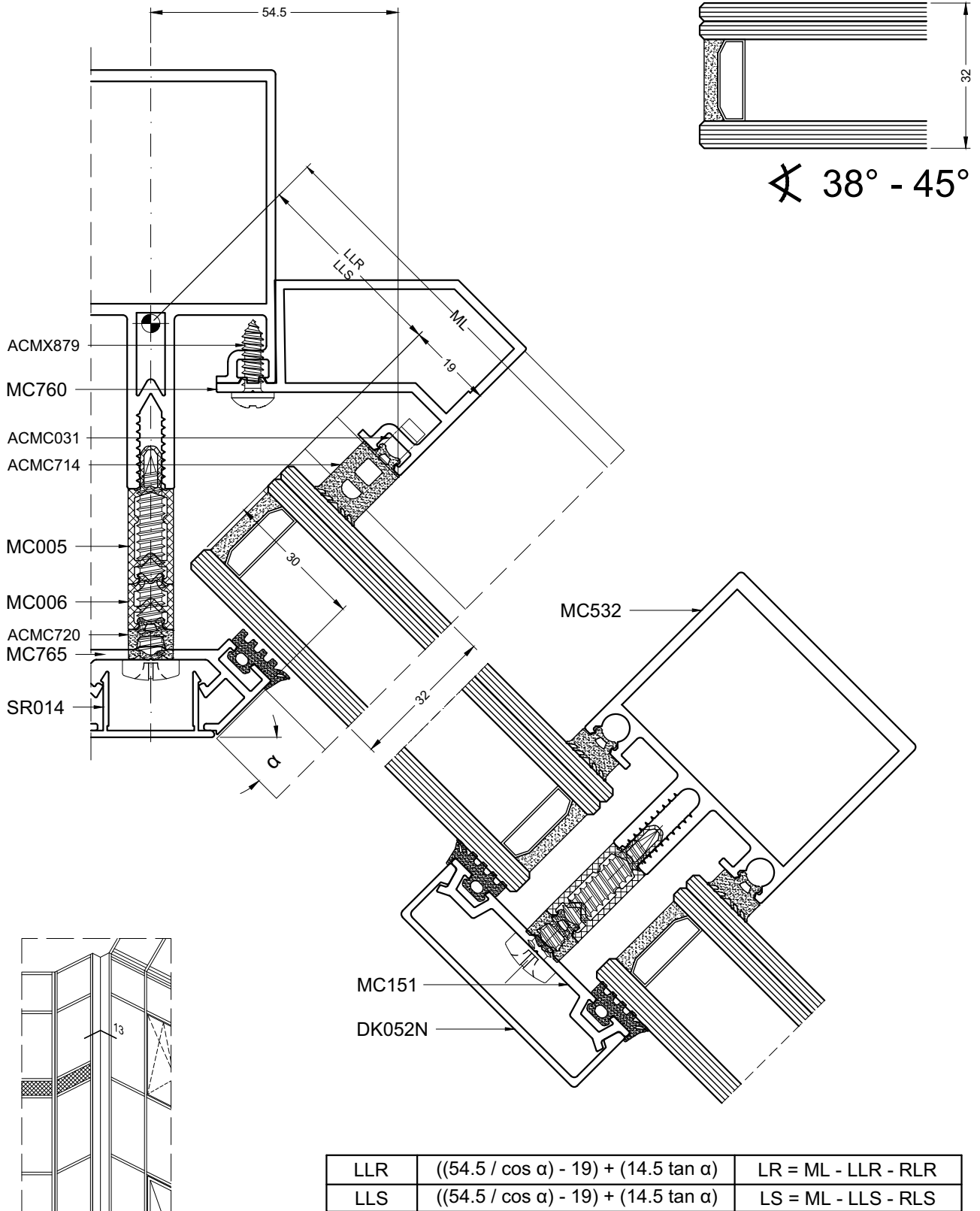
# MC-WALL

## 13.1.4



MCW\_13.1.4

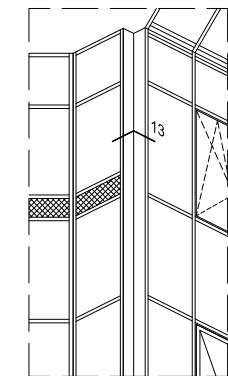
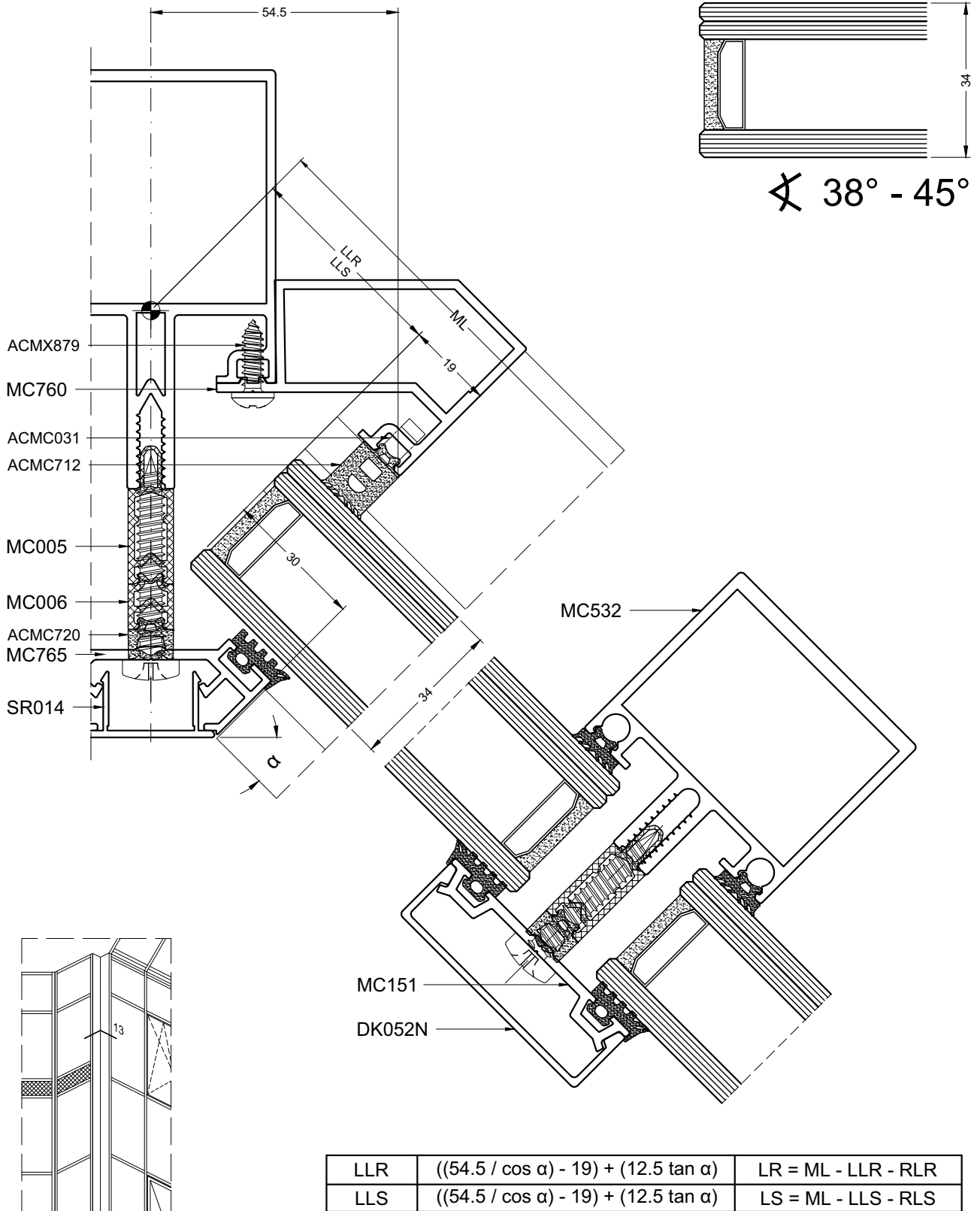
## 13.1.5



MCW\_13.1.5

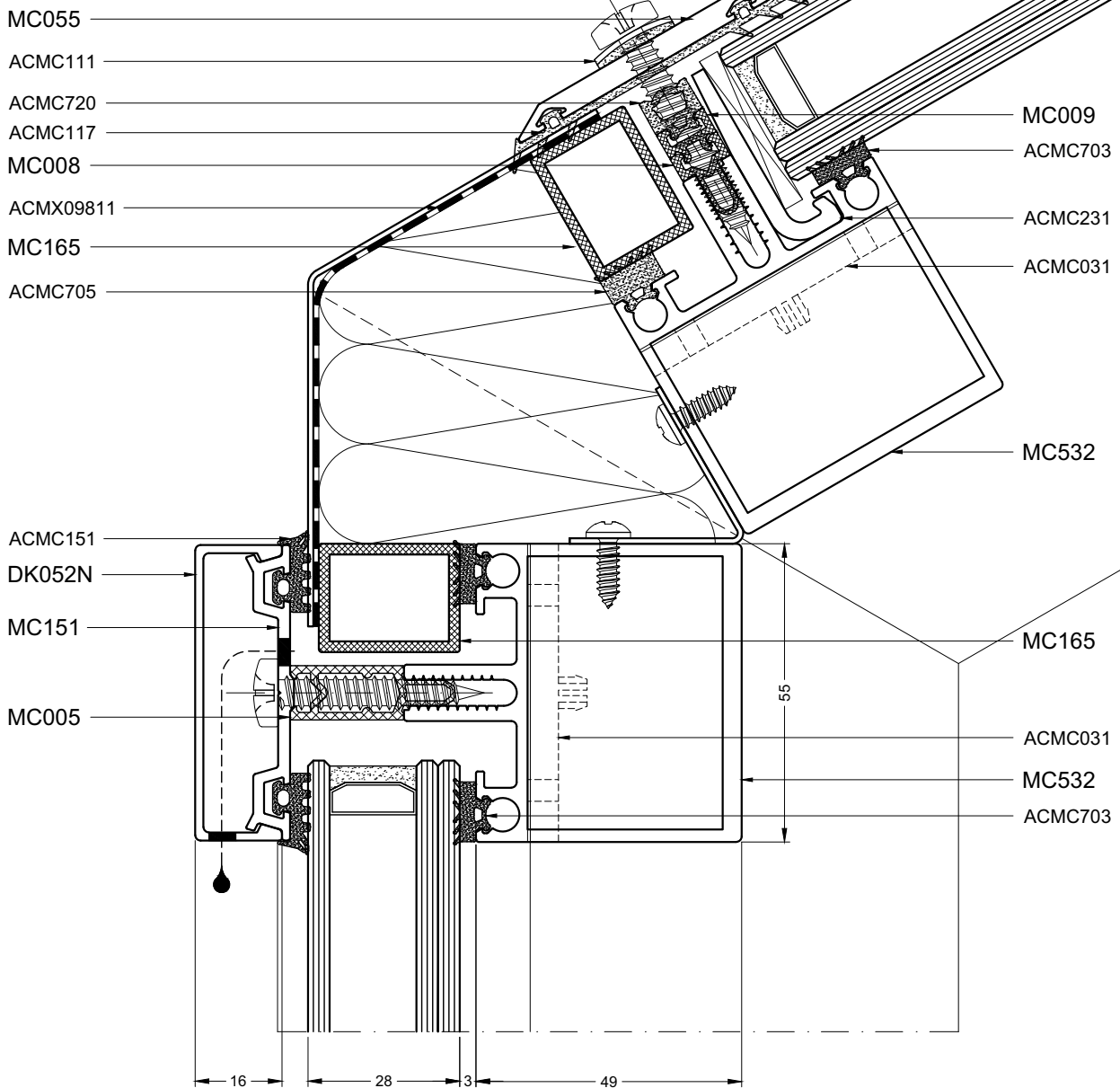
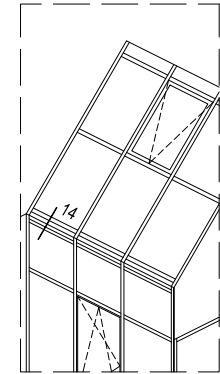
# MC-WALL

## 13.1.6



MCW\_13.1.6

## 14.1

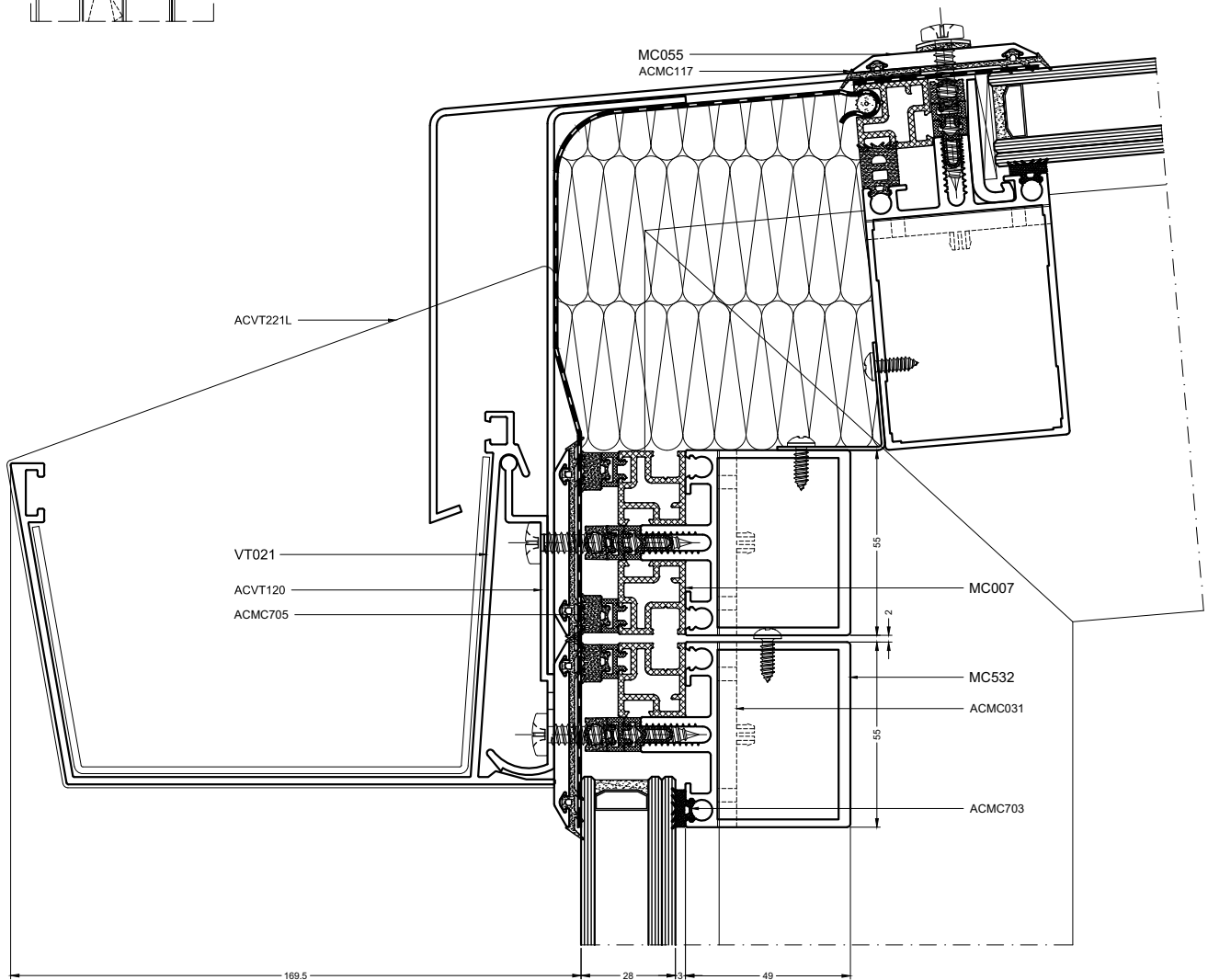
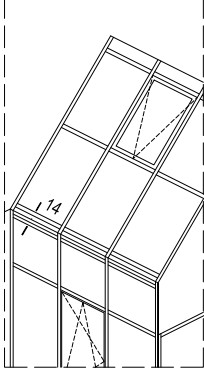


DOORSNEDETEKENINGEN - SECTION DE NOEUDS - PROFILKOMBINATIONEN - SECTION DRAWINGS

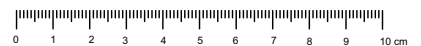
MCW\_14.1

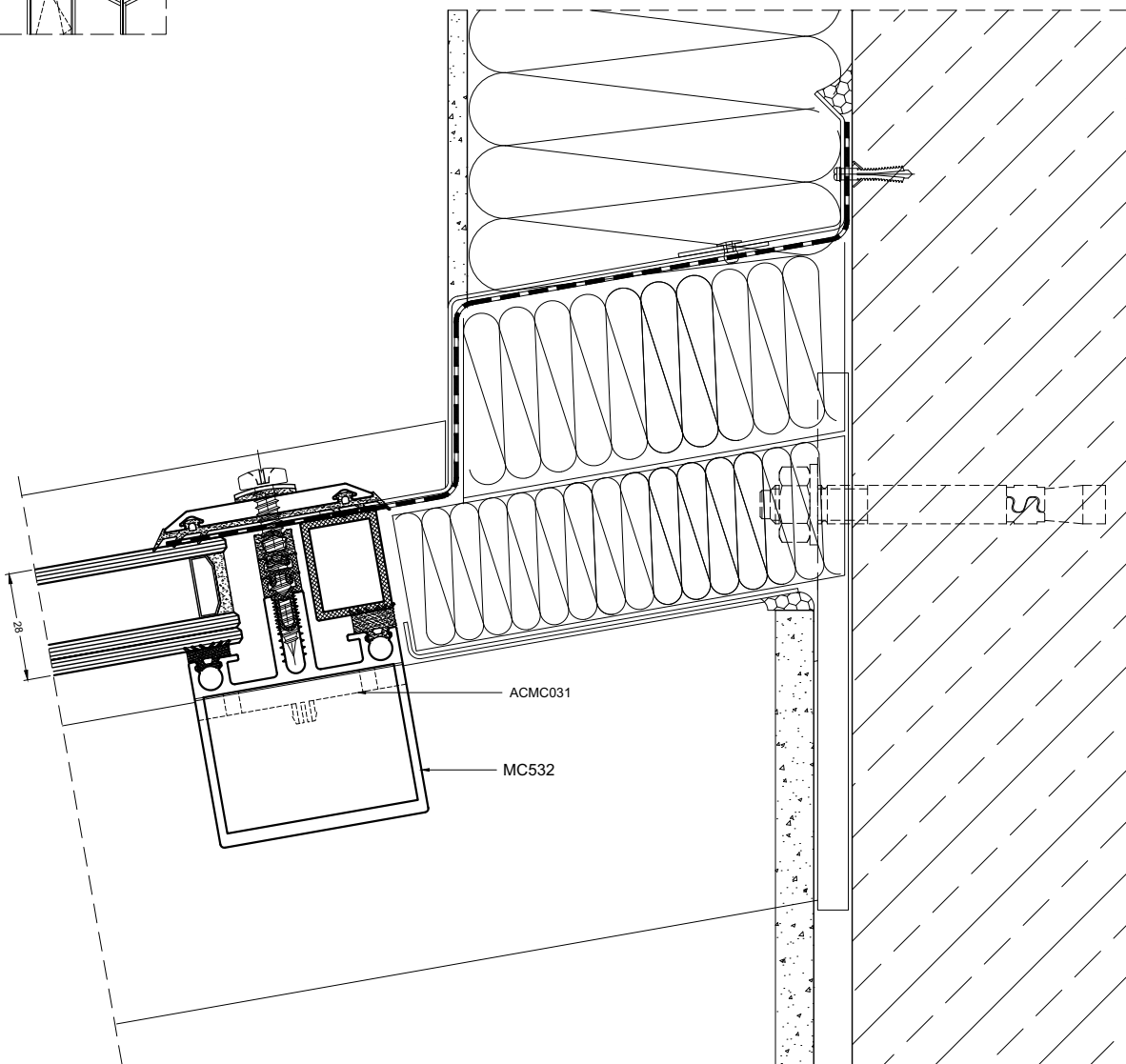
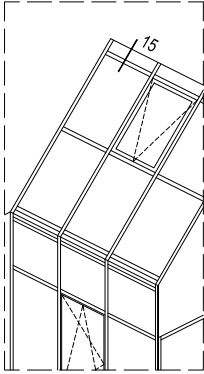
# MC-WALL

## 14.2



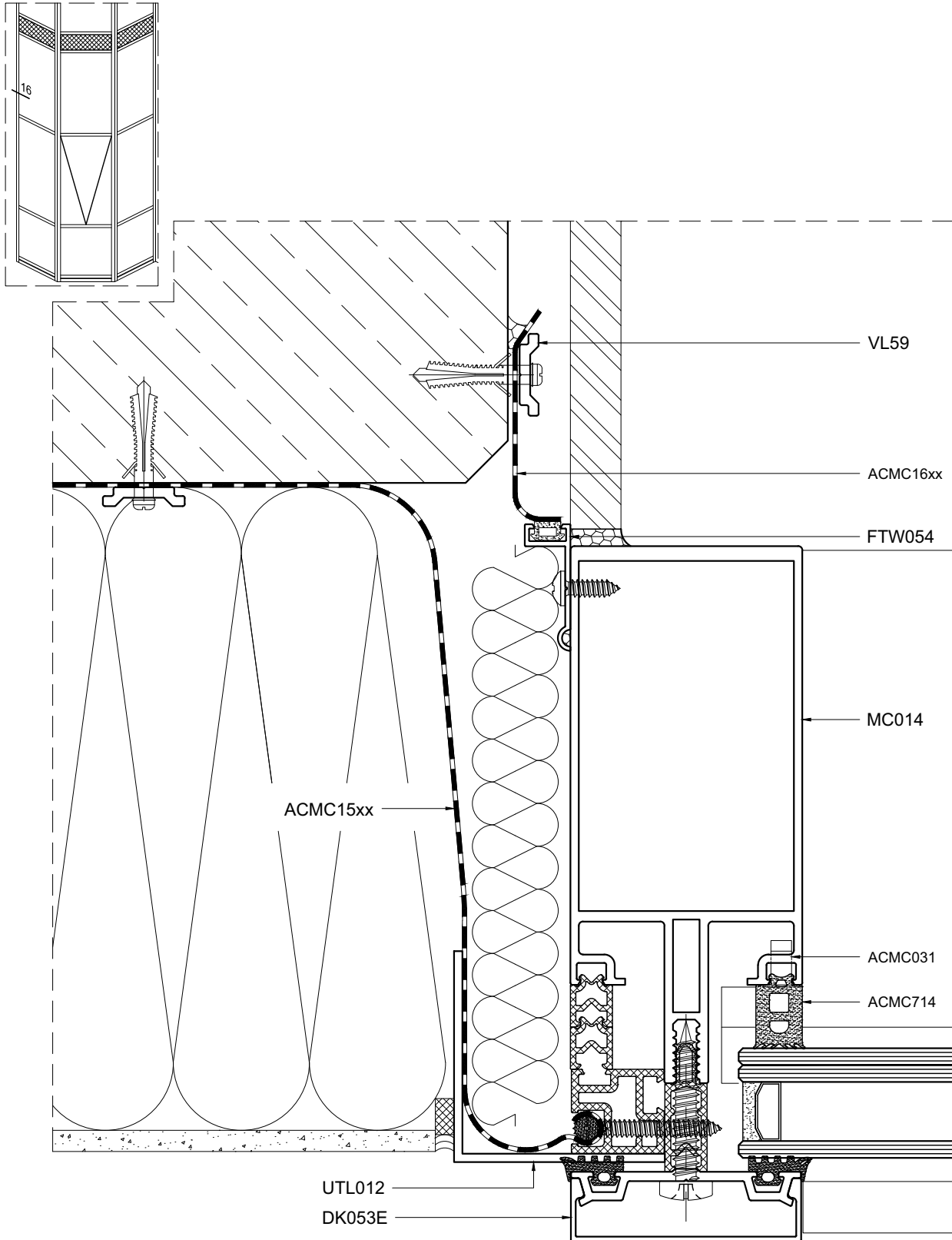
MCW\_14.2





# MC-WALL

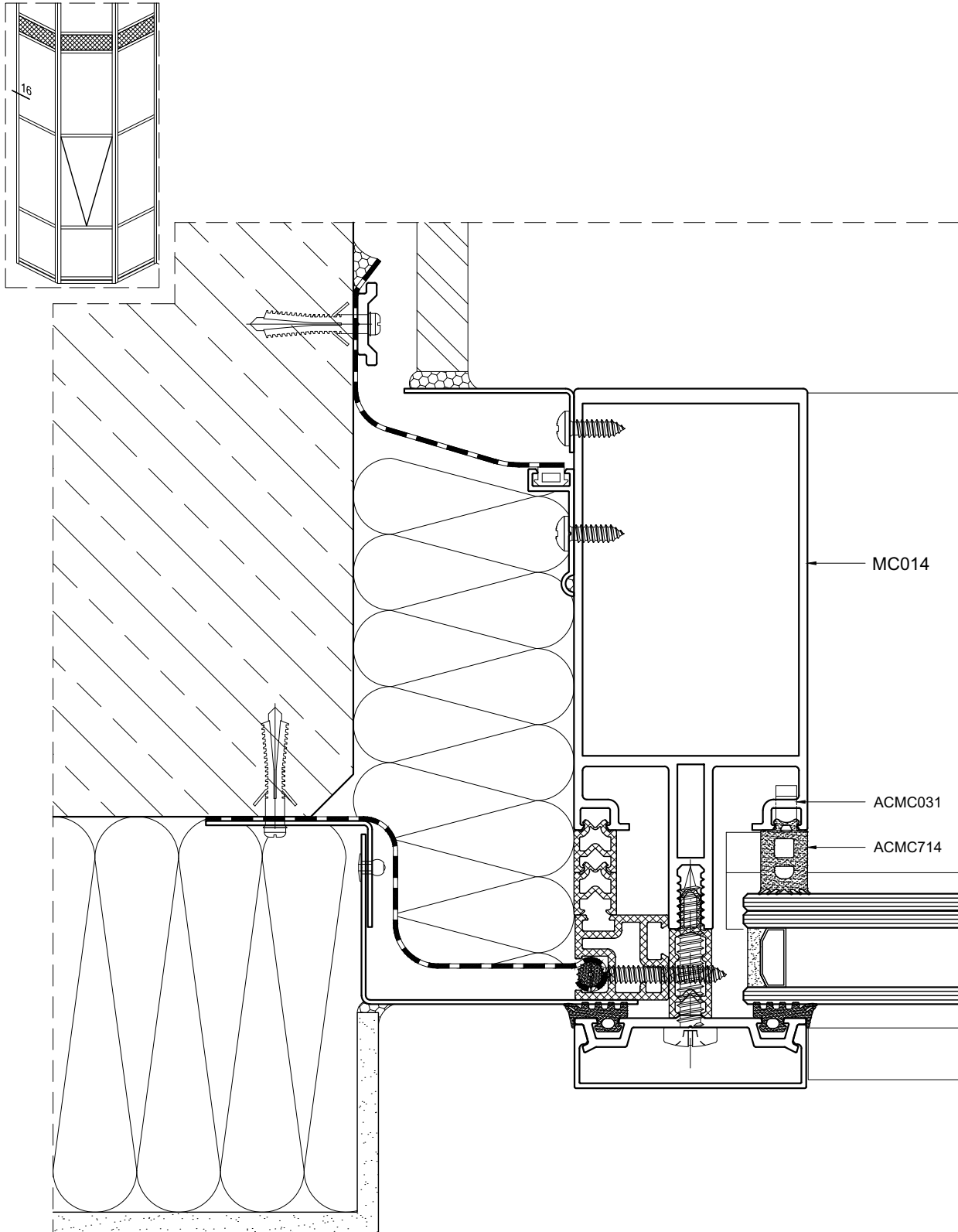
## 16.1



MCW\_16.1



## 16.2

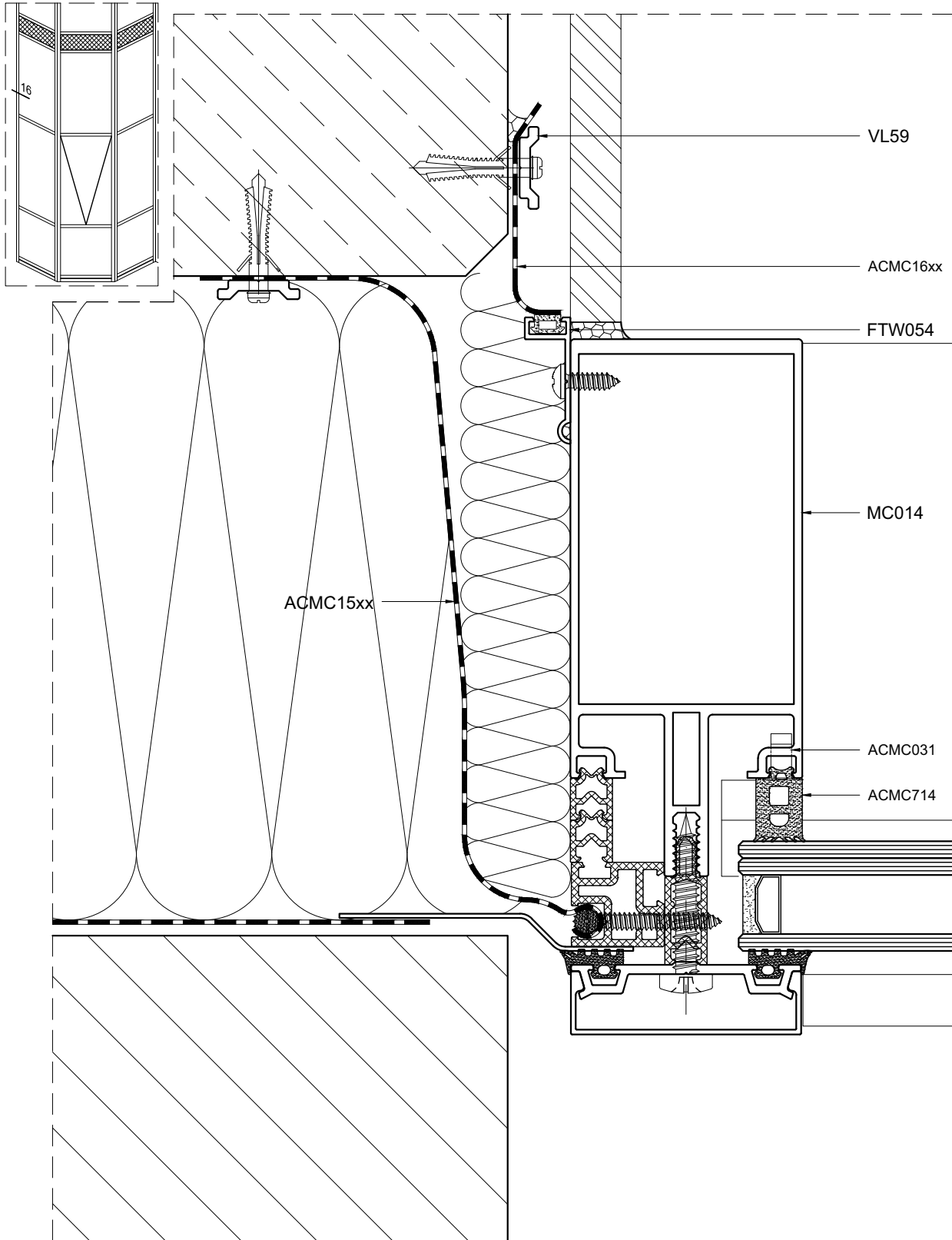


DOORSNEDETEKENINGEN - SECTION DE NOEUDS - PROFILKOMBINATIONEN - SECTION DRAWINGS

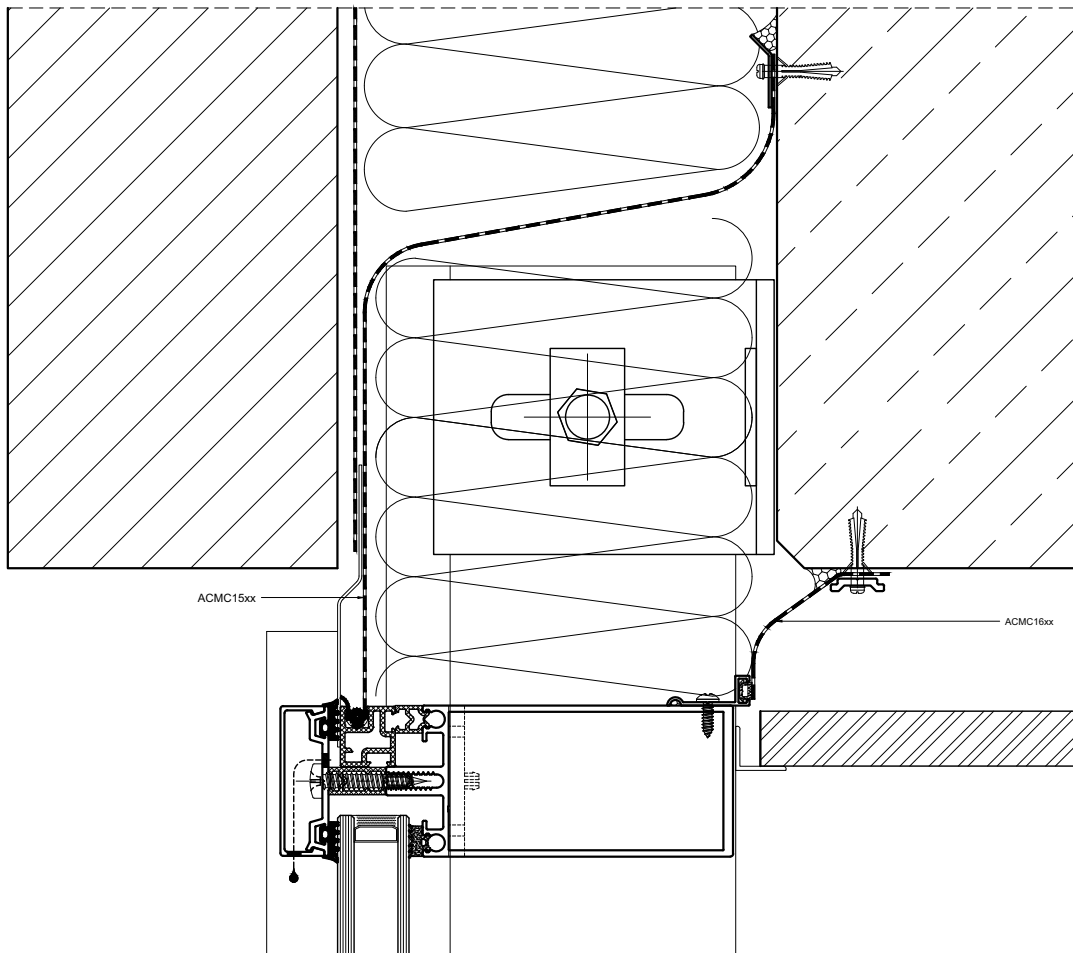
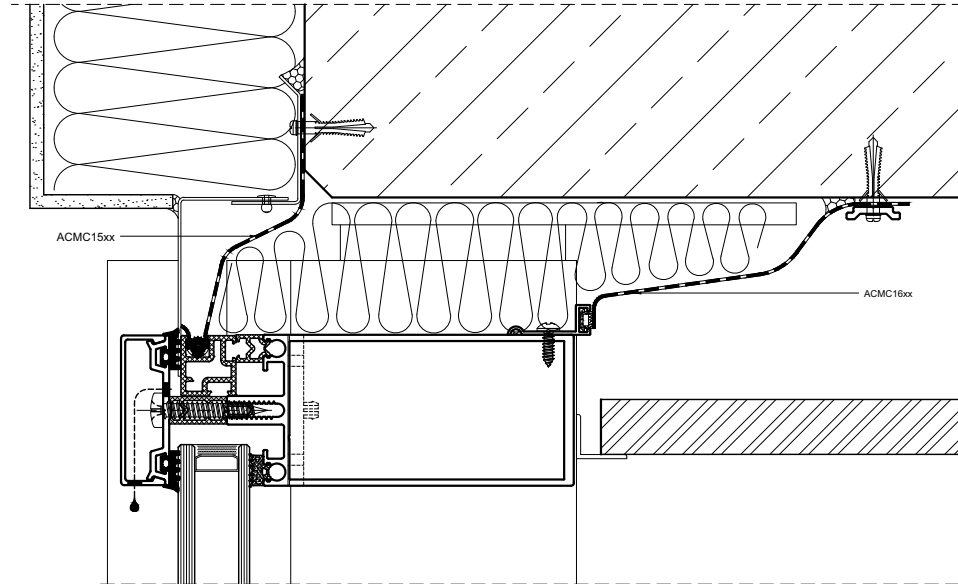
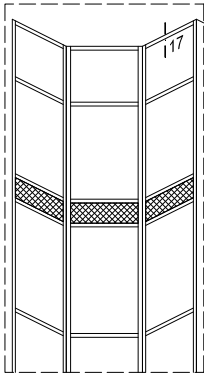
MCW\_16.2

# MC-WALL

## 16.3



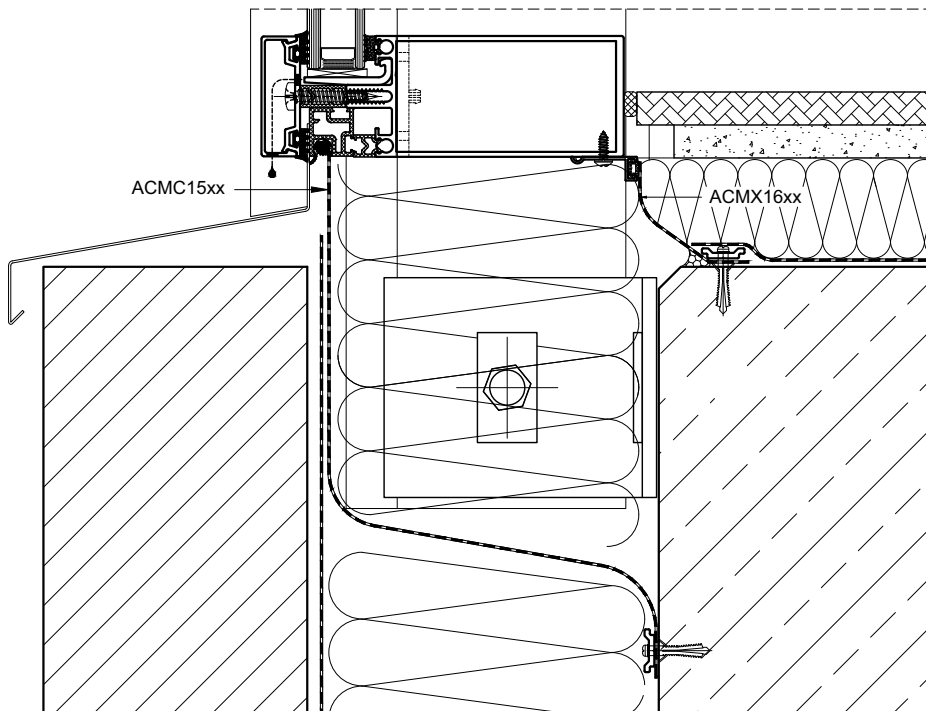
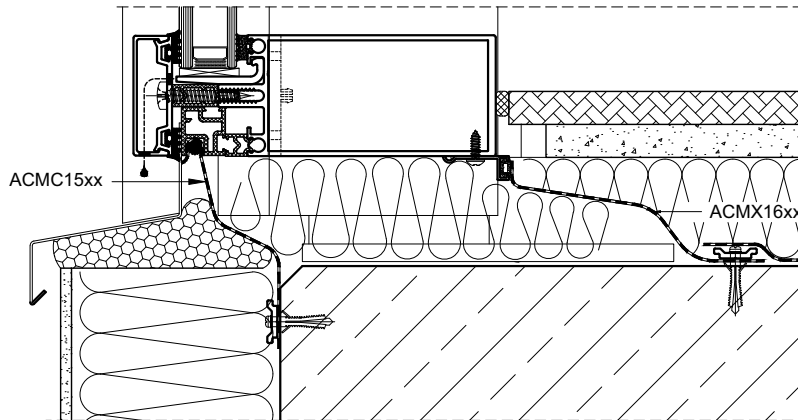
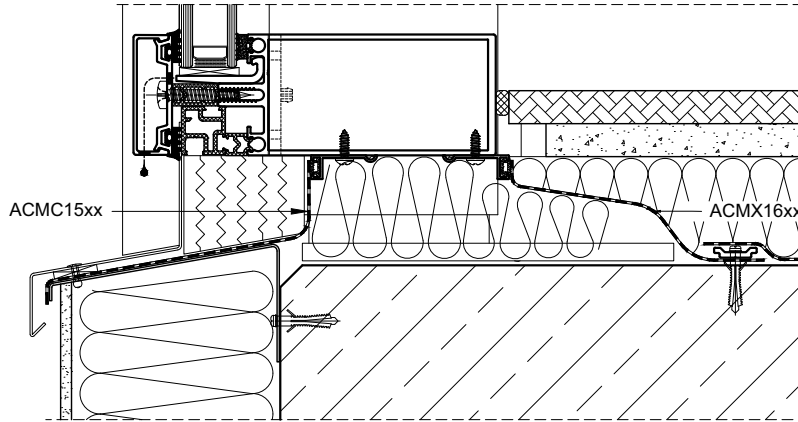
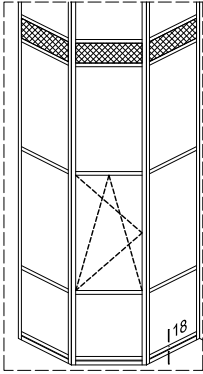
MCW\_16.3



MCW\_17

# MC-WALL

18



MCW\_18

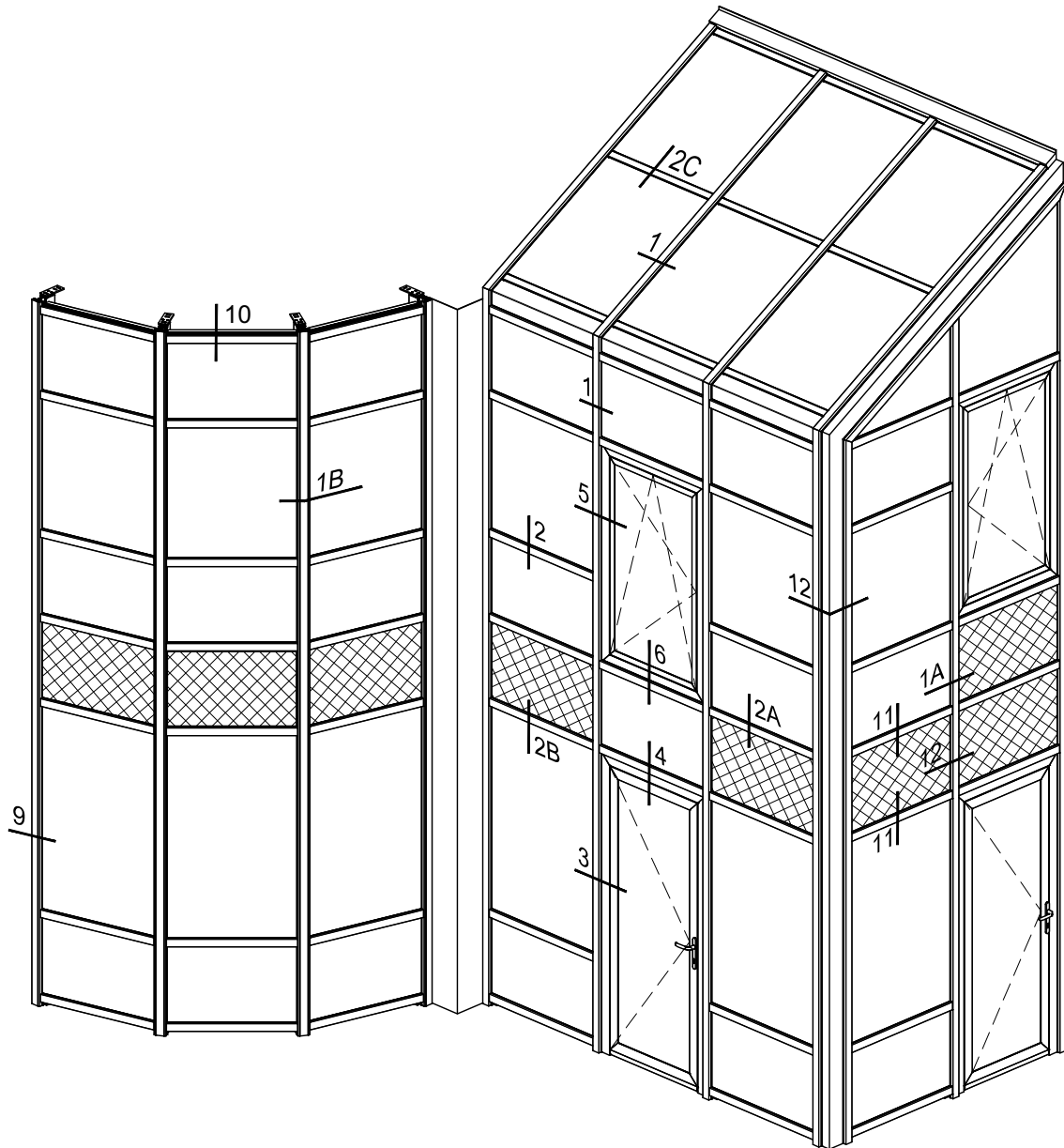
220

18/1/18



# MC-WALL

## MC\_GLASS

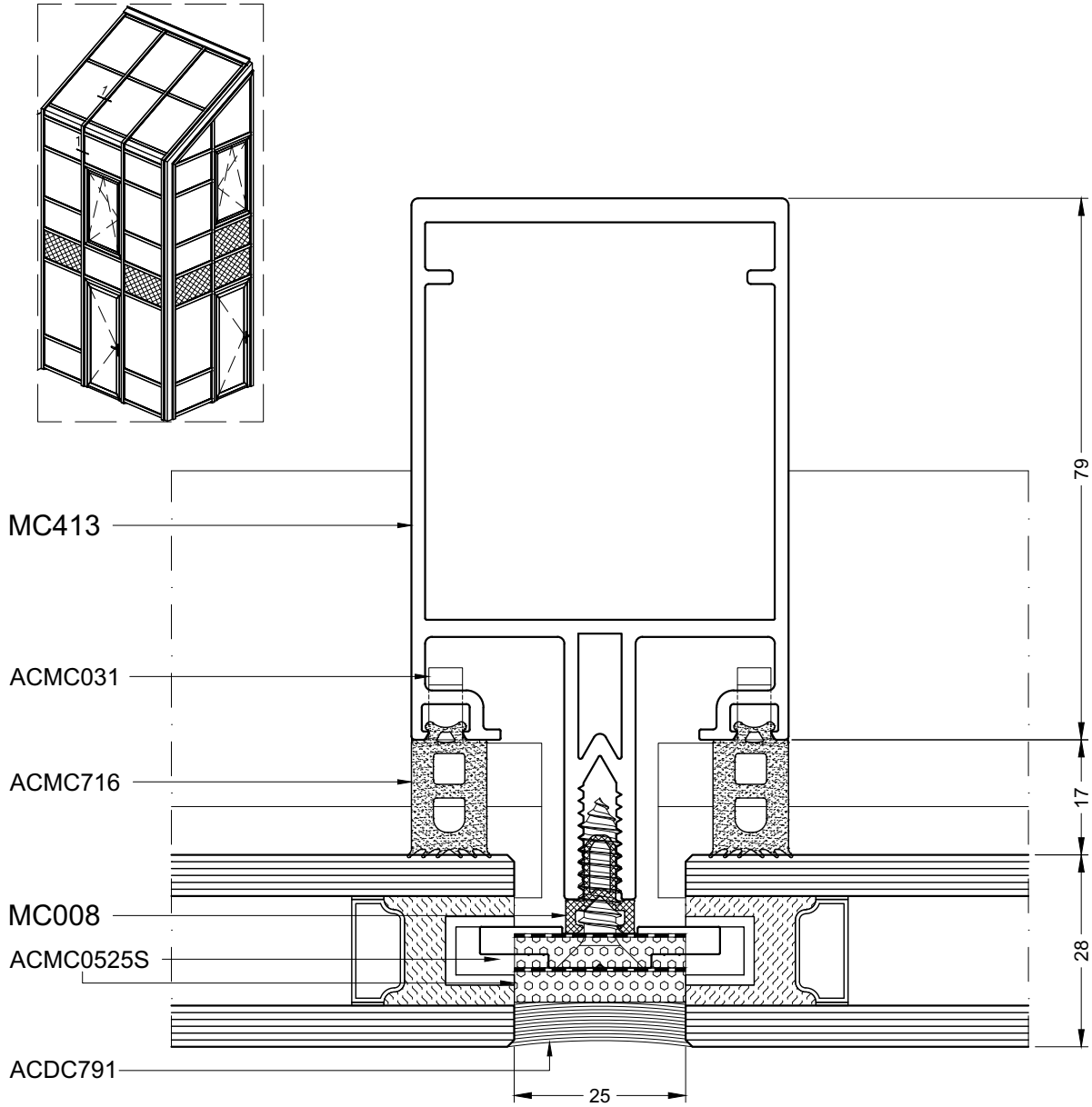


MCG

222

18/1/18

## 1.1

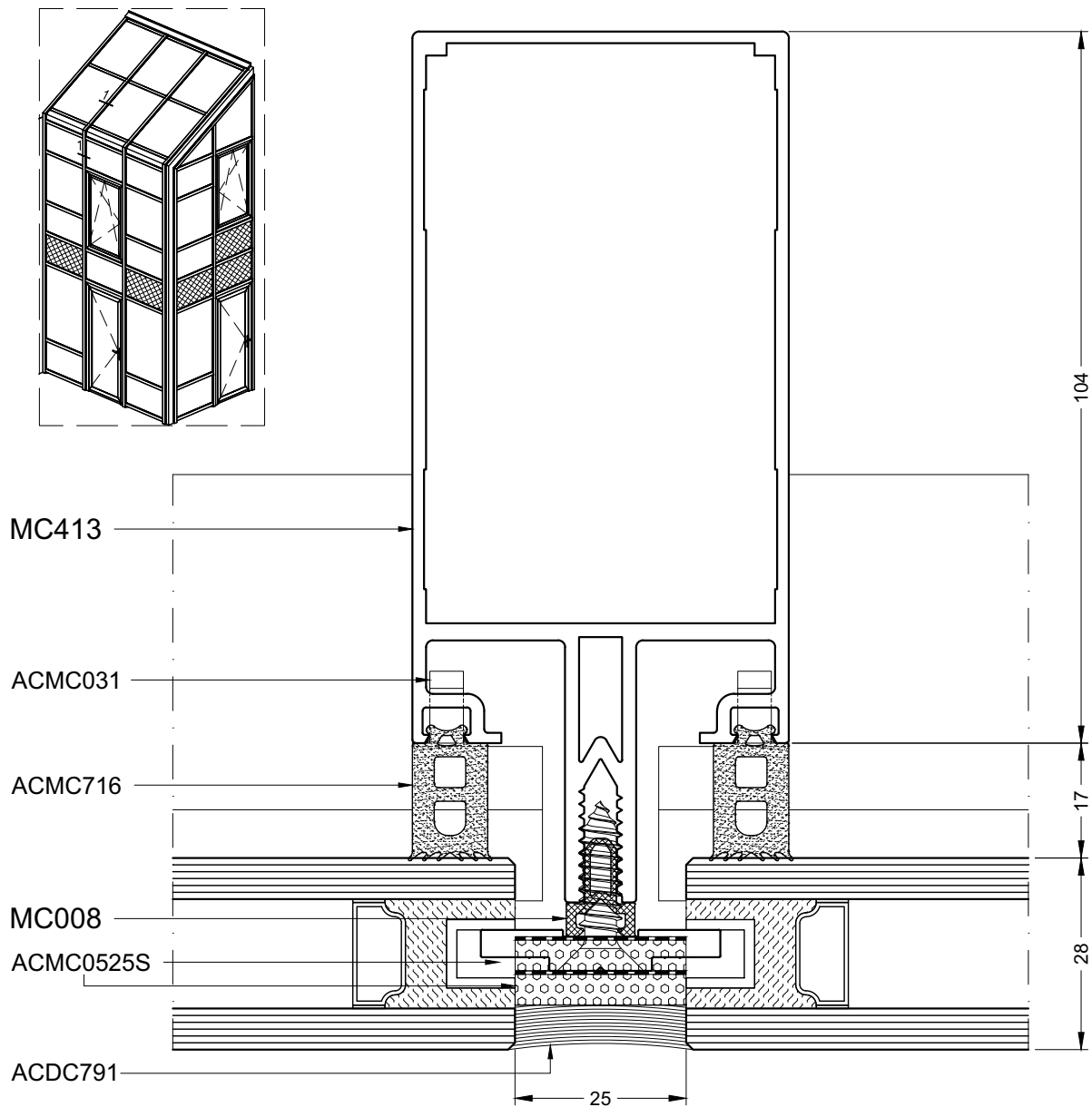


DOORSNEDETEKENINGEN - SECTION DE NOEUDS - PROFILKOMBINATIONEN - SECTION DRAWINGS

MCG\_1.1

# MC-WALL

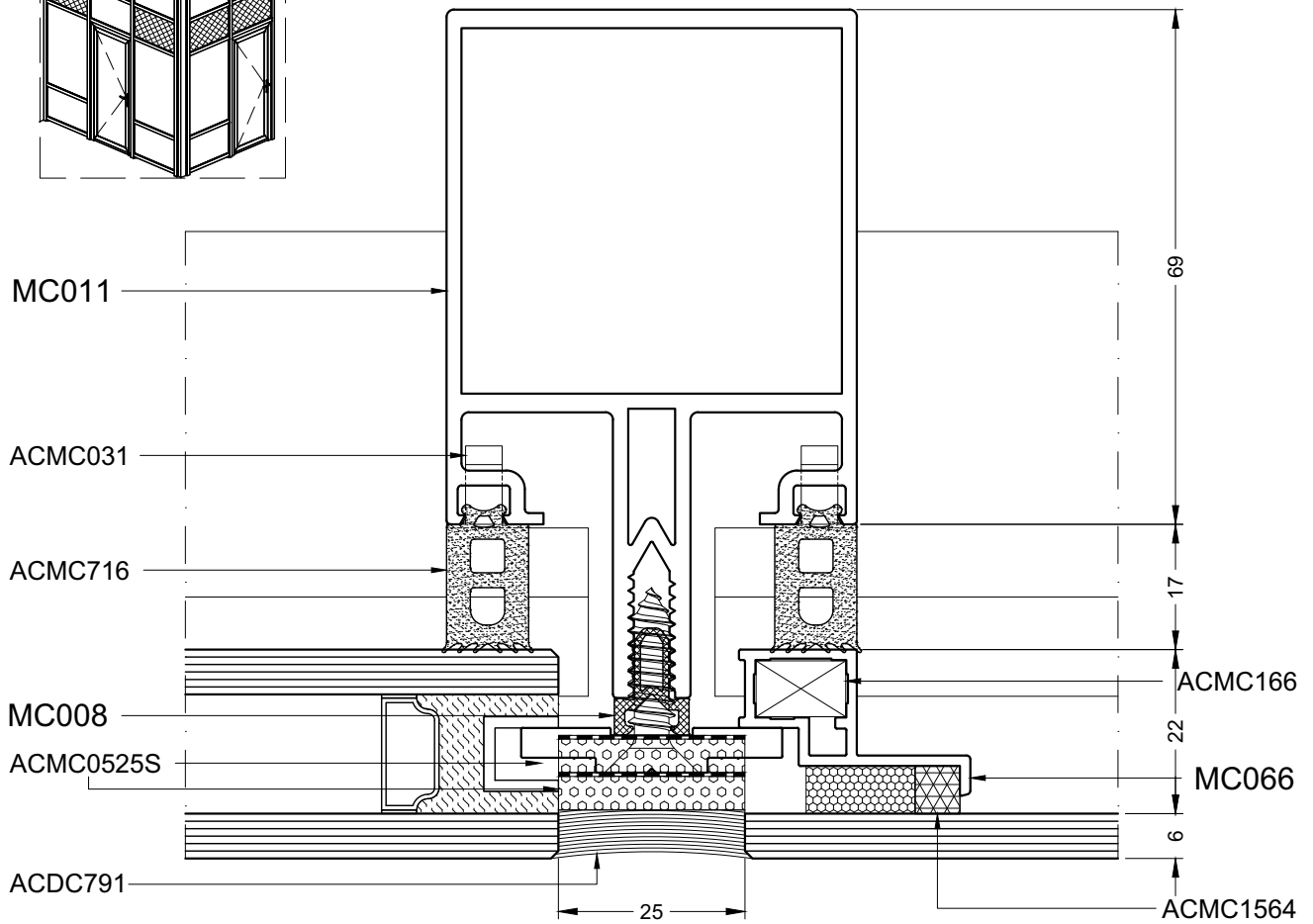
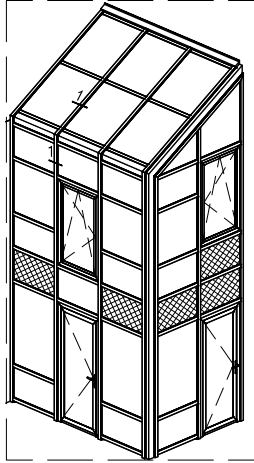
## 1.2



MCG\_1.2



## 1.3

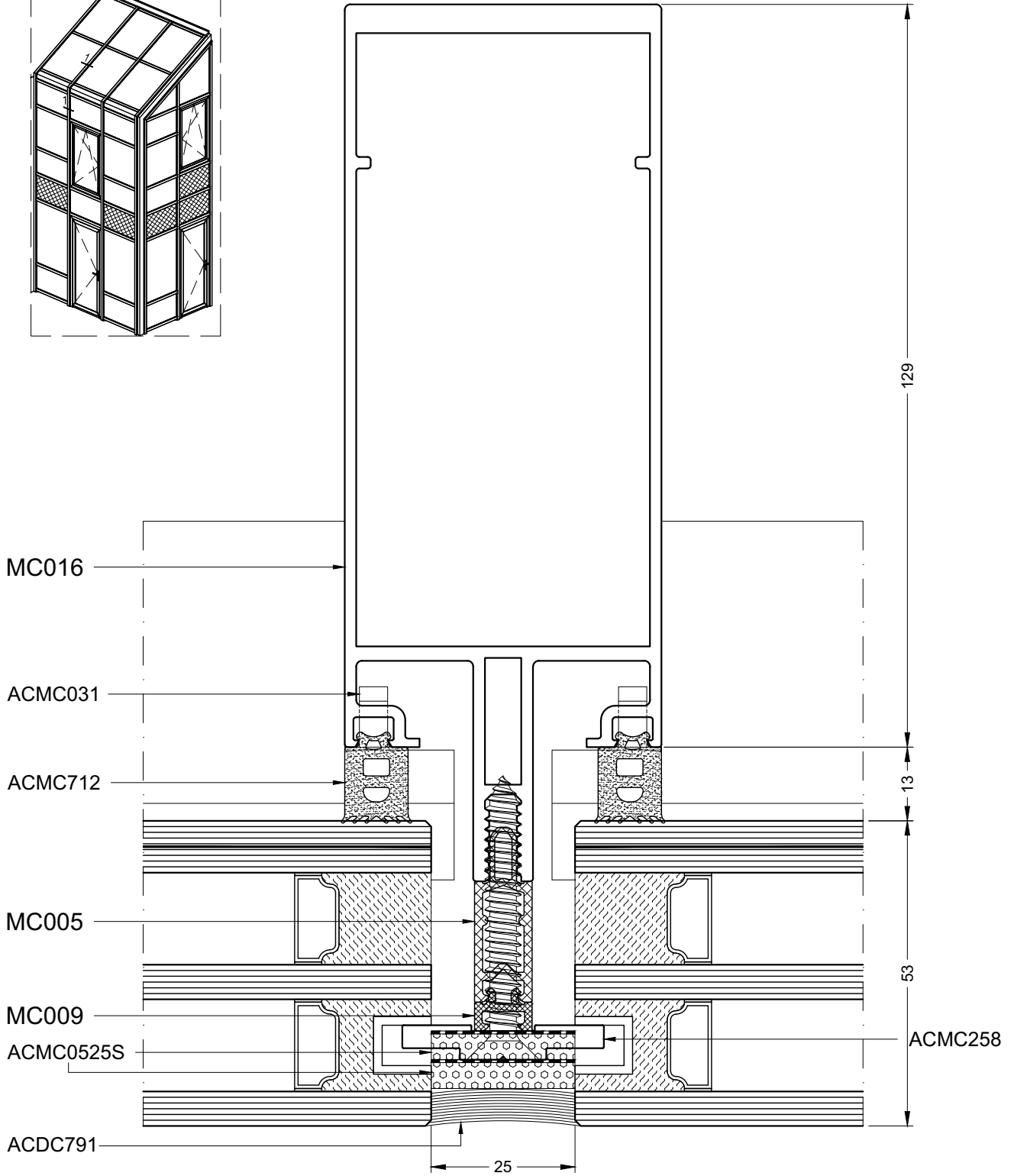
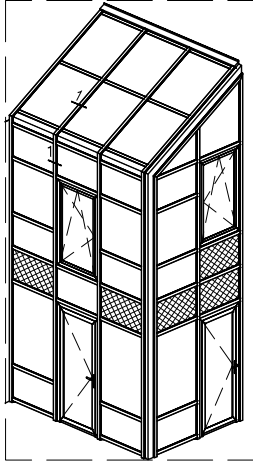


DOORSNEDETEKENINGEN - SECTION DE NOEUDS - PROFILKOMBINATIONEN - SECTION DRAWINGS

MCG\_1.3

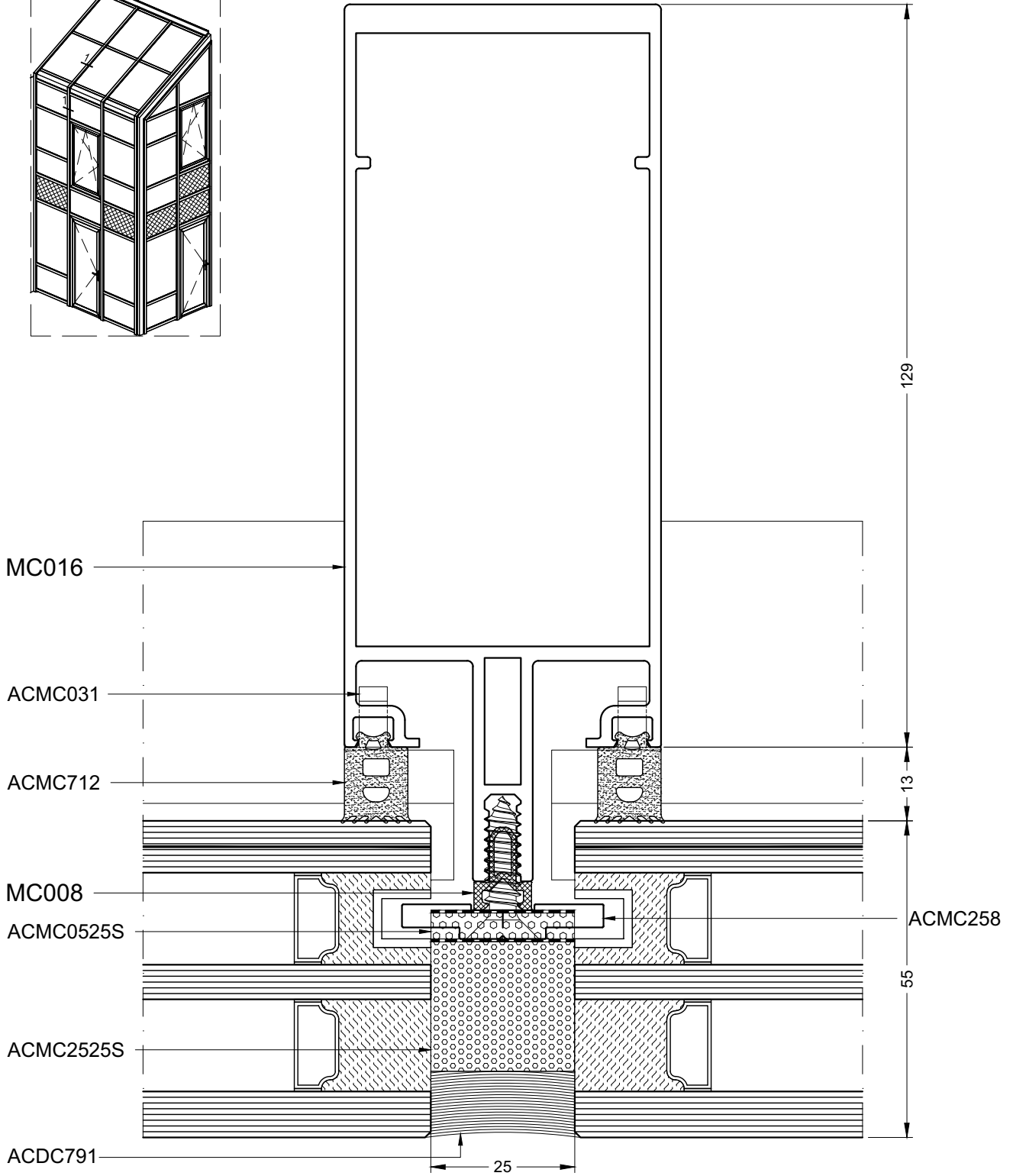
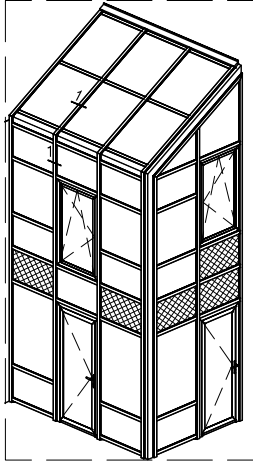
# MC-WALL

## 1.4



MCG\_1.4

1.5

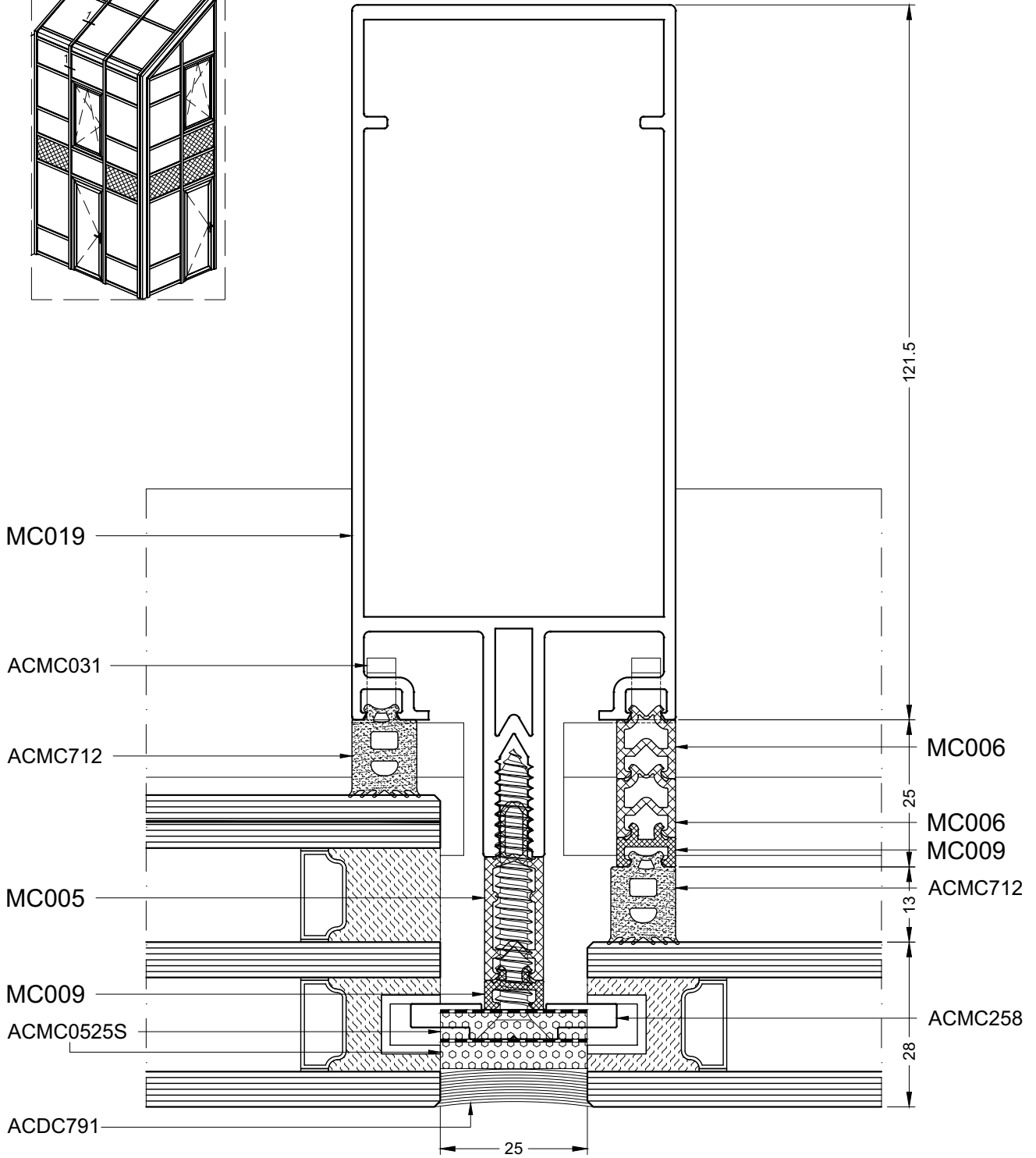
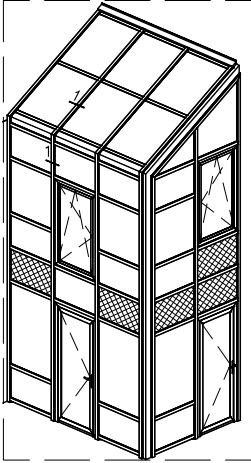


DOORSNEDETEKENINGEN - SECTION DE NOEUDS - PROFILKOMBINATIONEN - SECTION DRAWINGS

MCG\_1.5

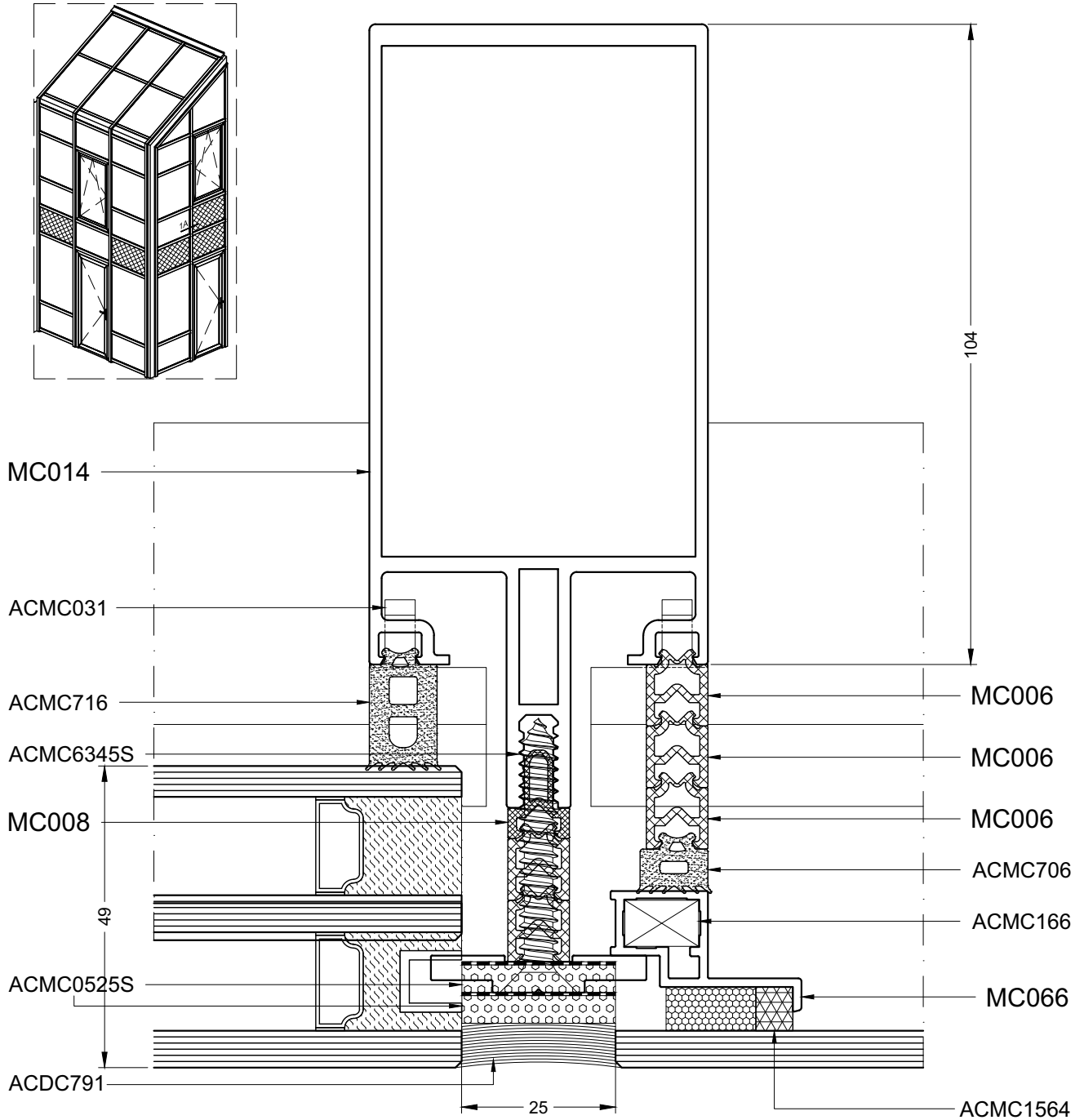
# MC-WALL

## 1.6



MCG\_1.6

## 1A.1

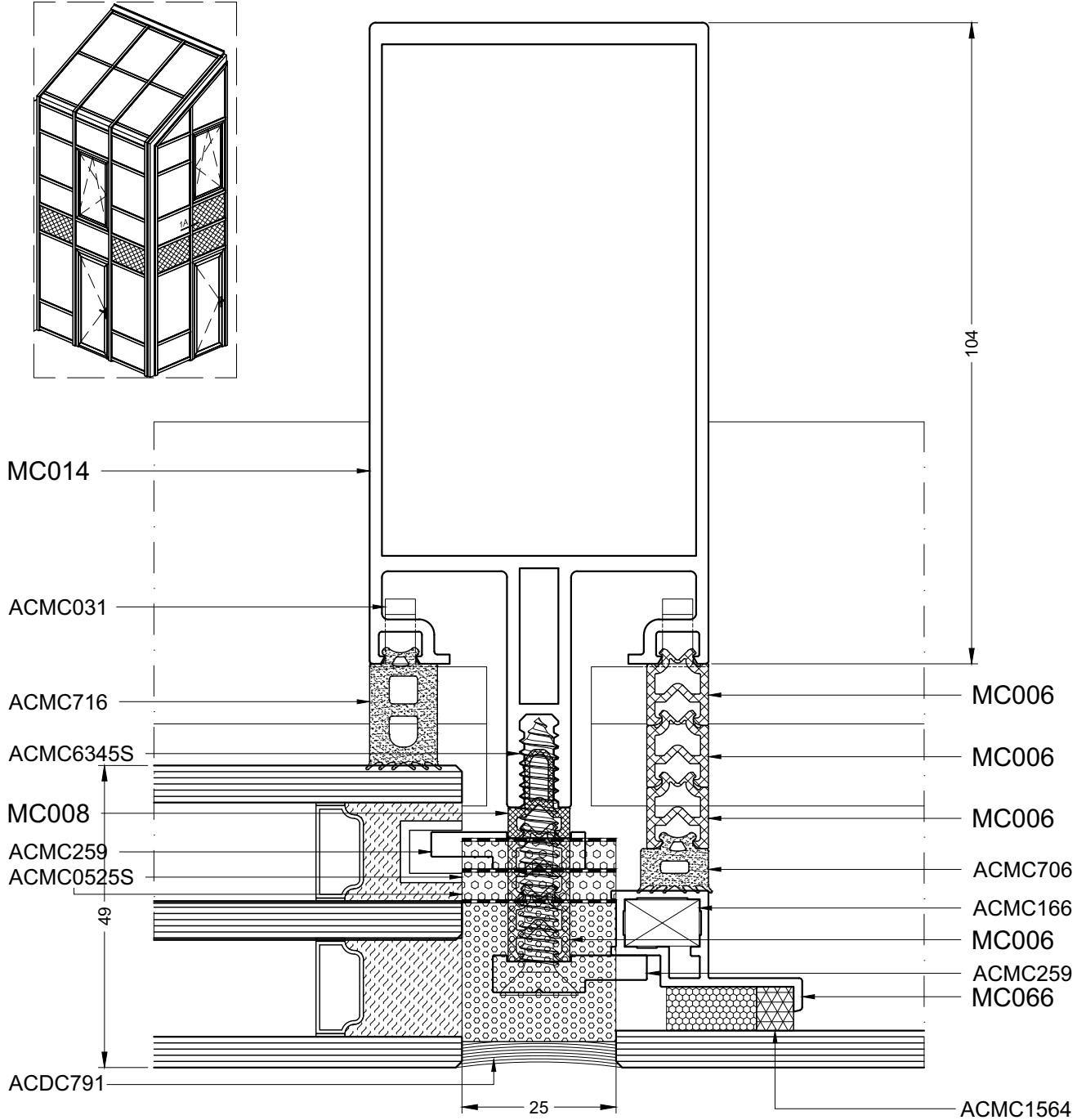


DOORSNEDETEKENINGEN - SECTION DE NOEUDS - PROFILKOMBINATIONEN - SECTION DRAWINGS

MCG\_1A.1

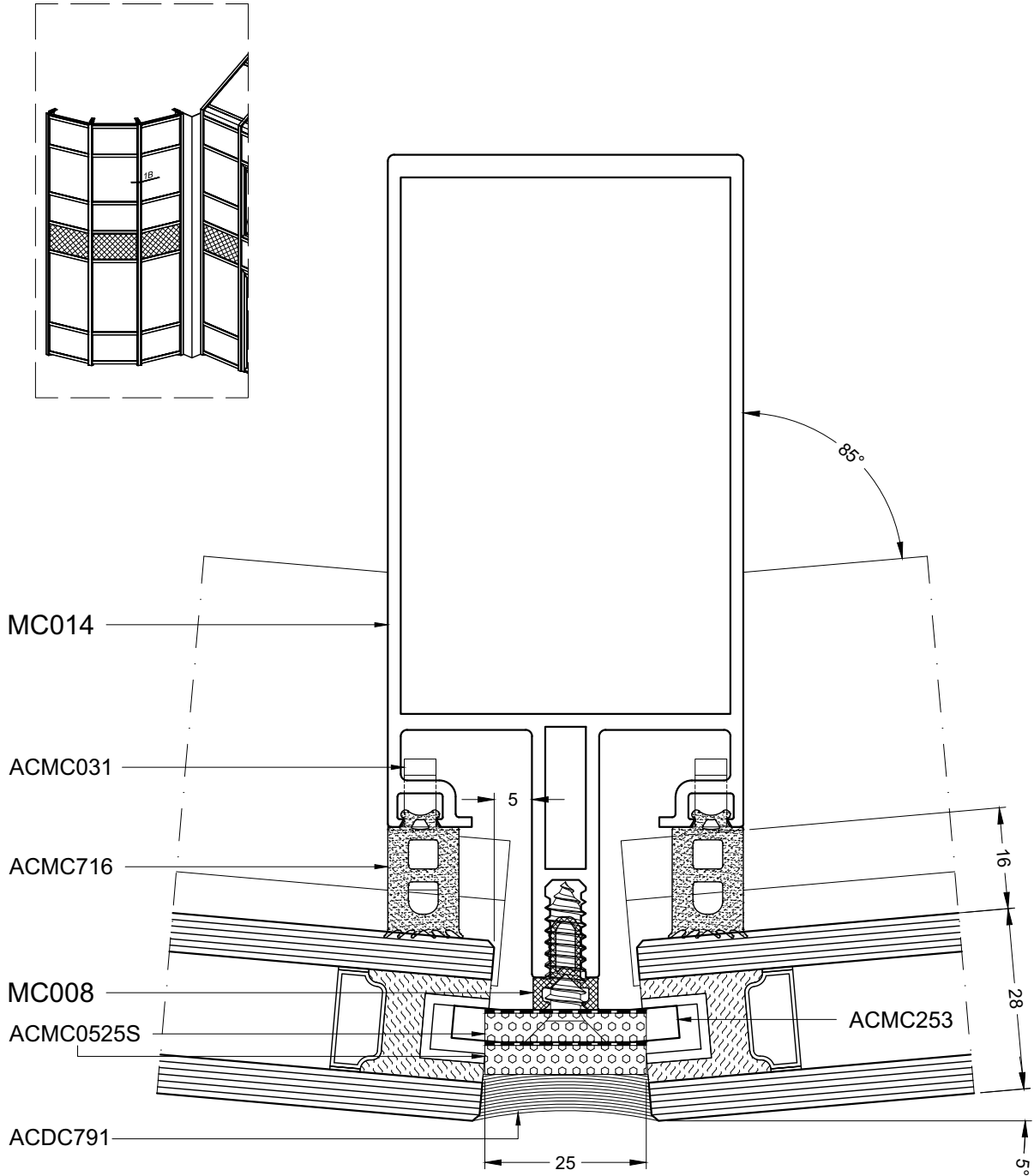
# MC-WALL

## 1A.2



MCG\_1A.2

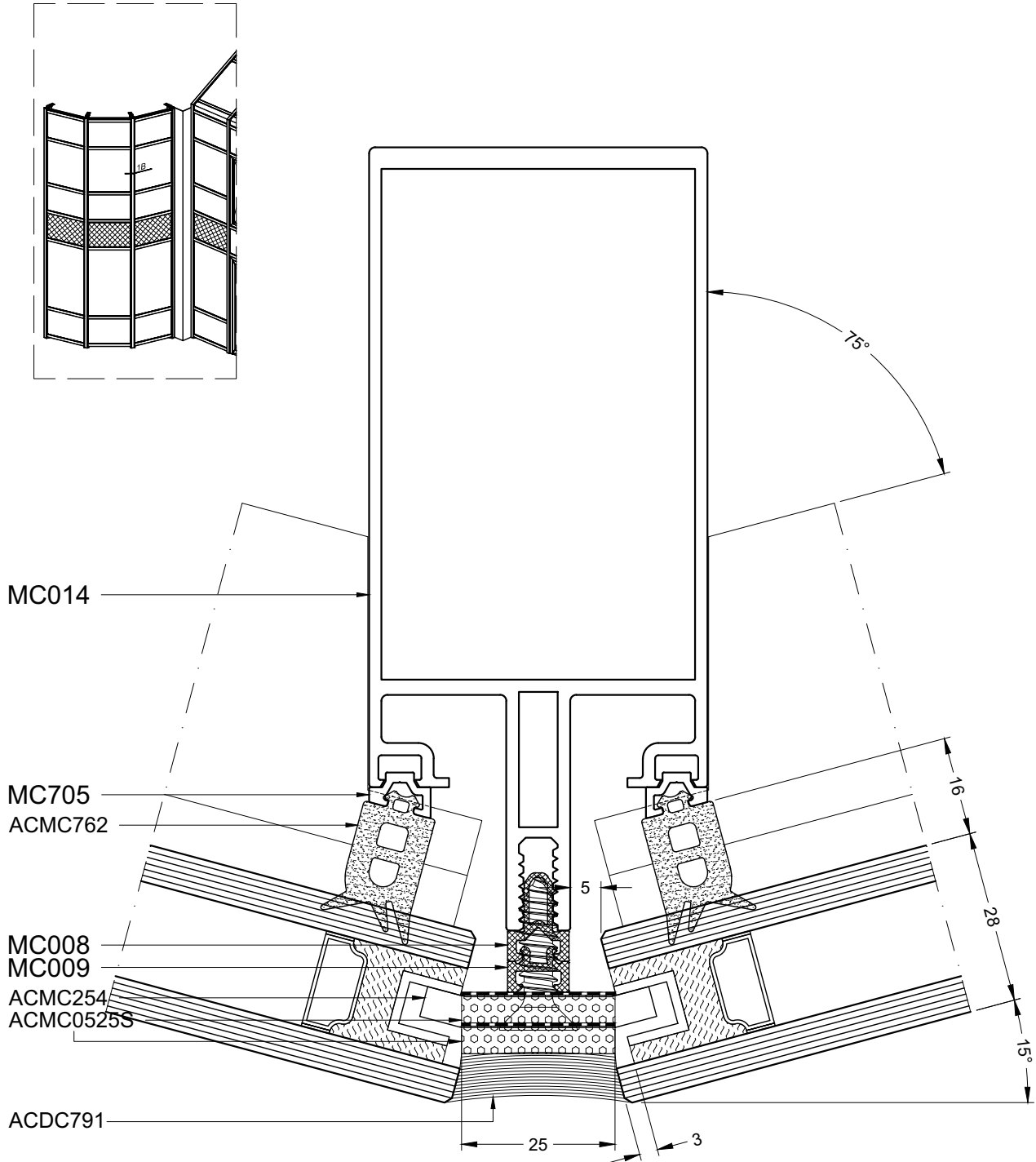
## 1B.1



MCG\_1B.1

# MC-WALL

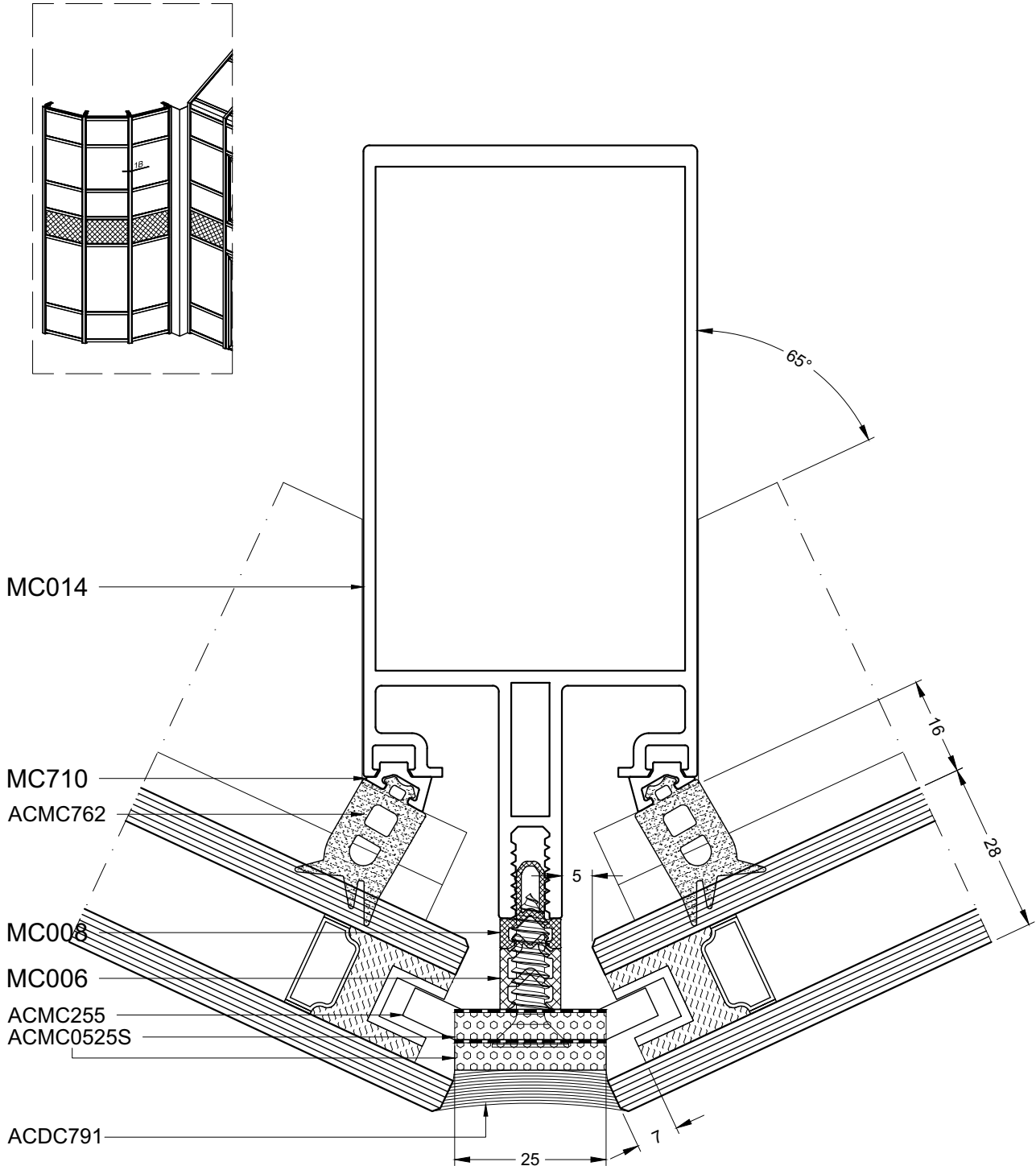
## 1B.2



MCG\_1B.2



## 1B.3

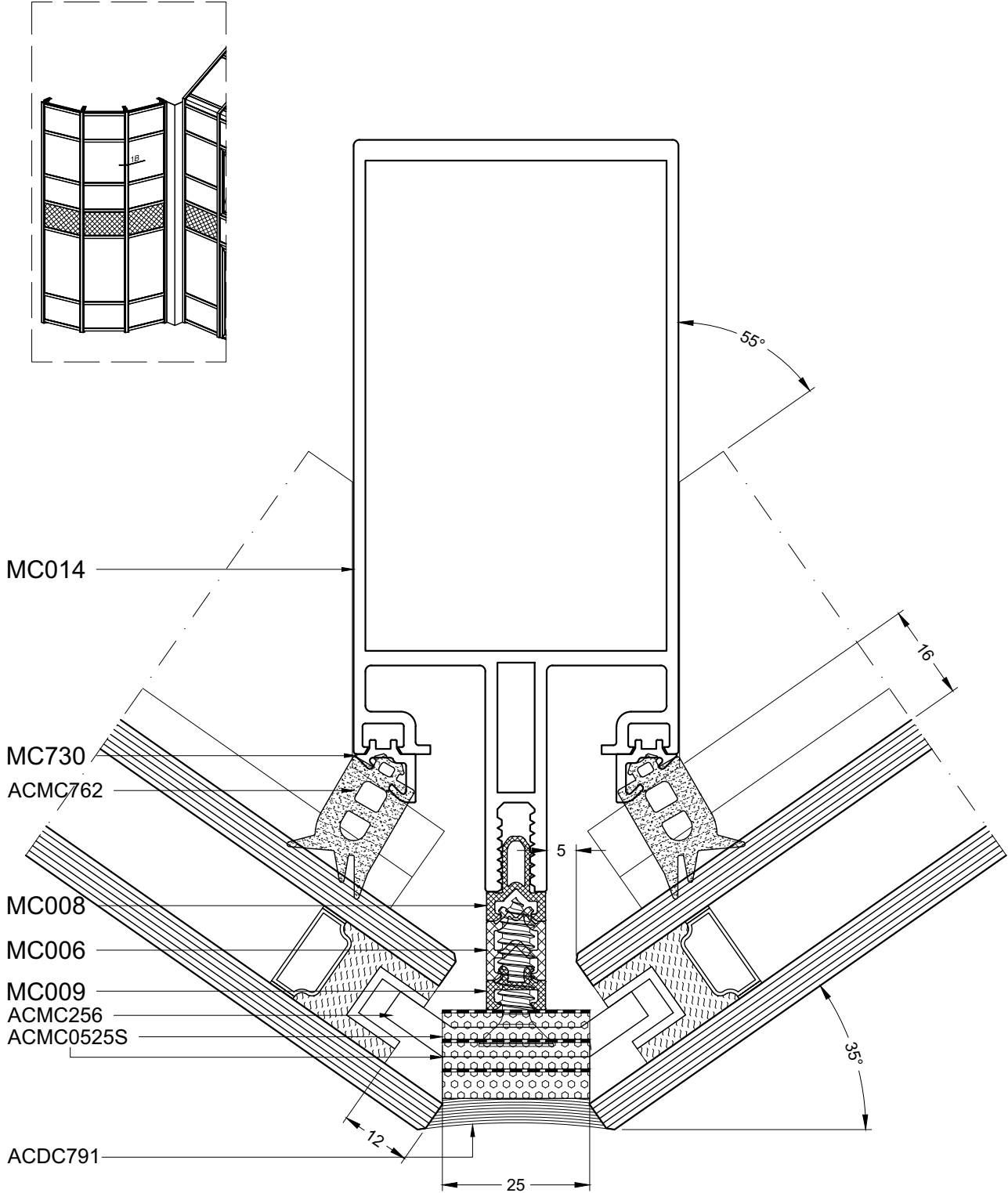


DOORSNEDETEKENINGEN - SECTION DE NOEUDS - PROFILKOMBINATIONEN - SECTION DRAWINGS

MCG\_1B.3

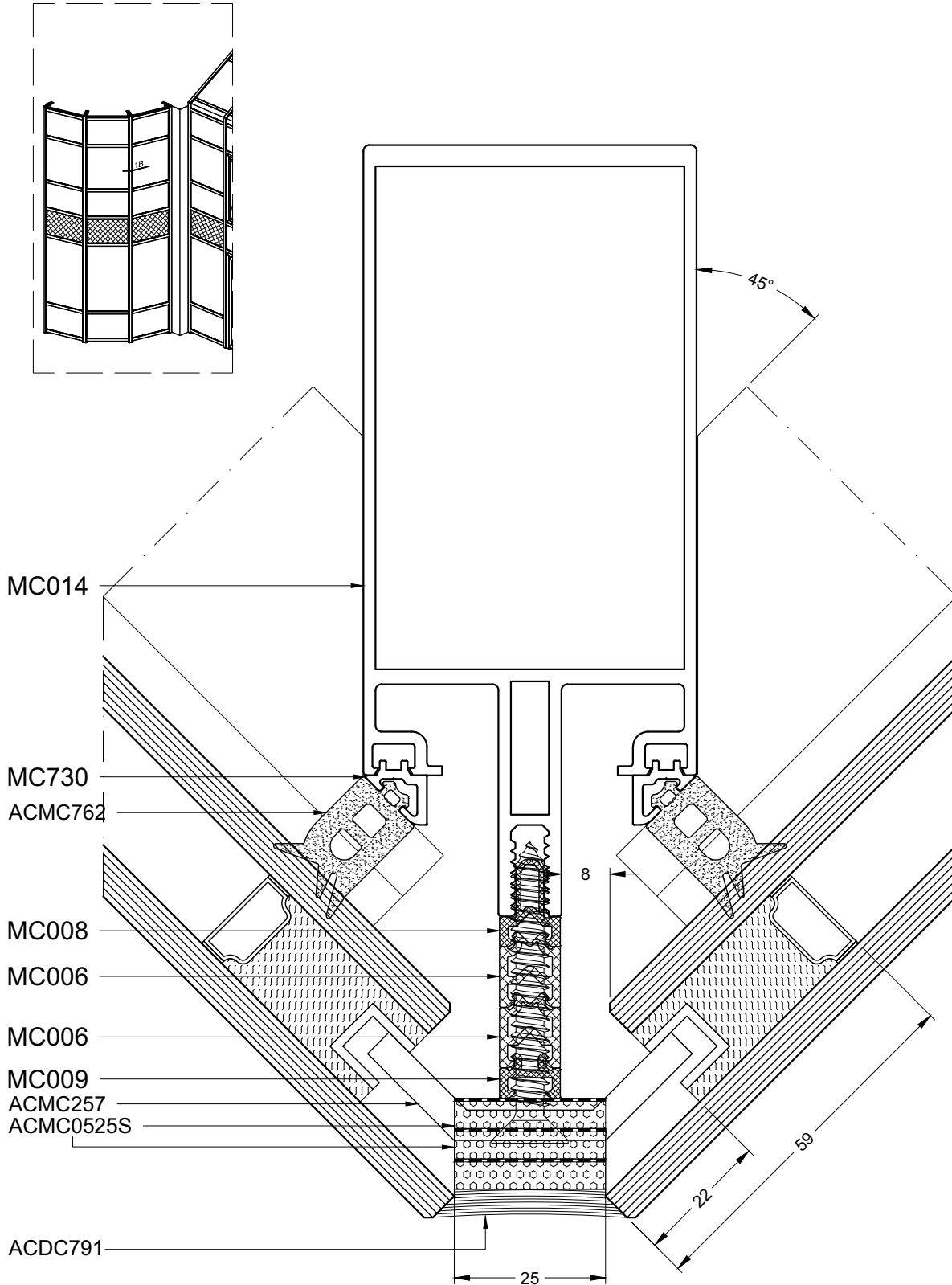
# MC-WALL

## 1.4



MCG\_1B.4

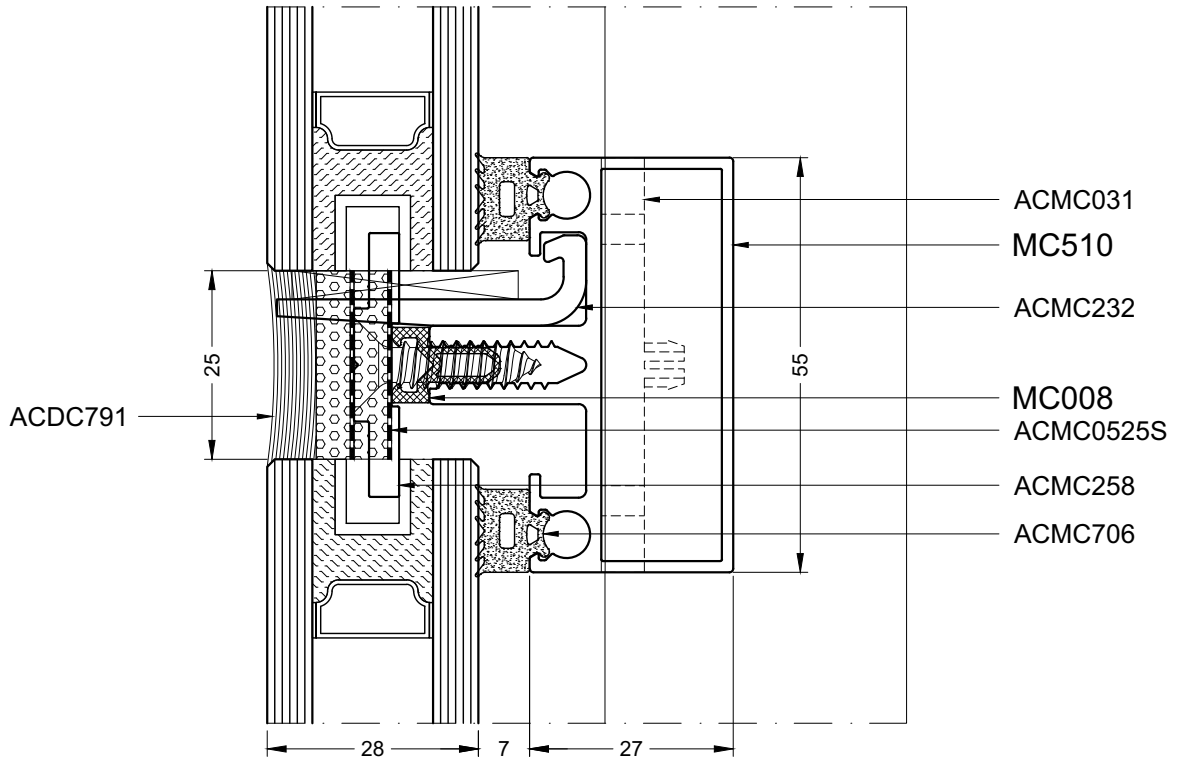
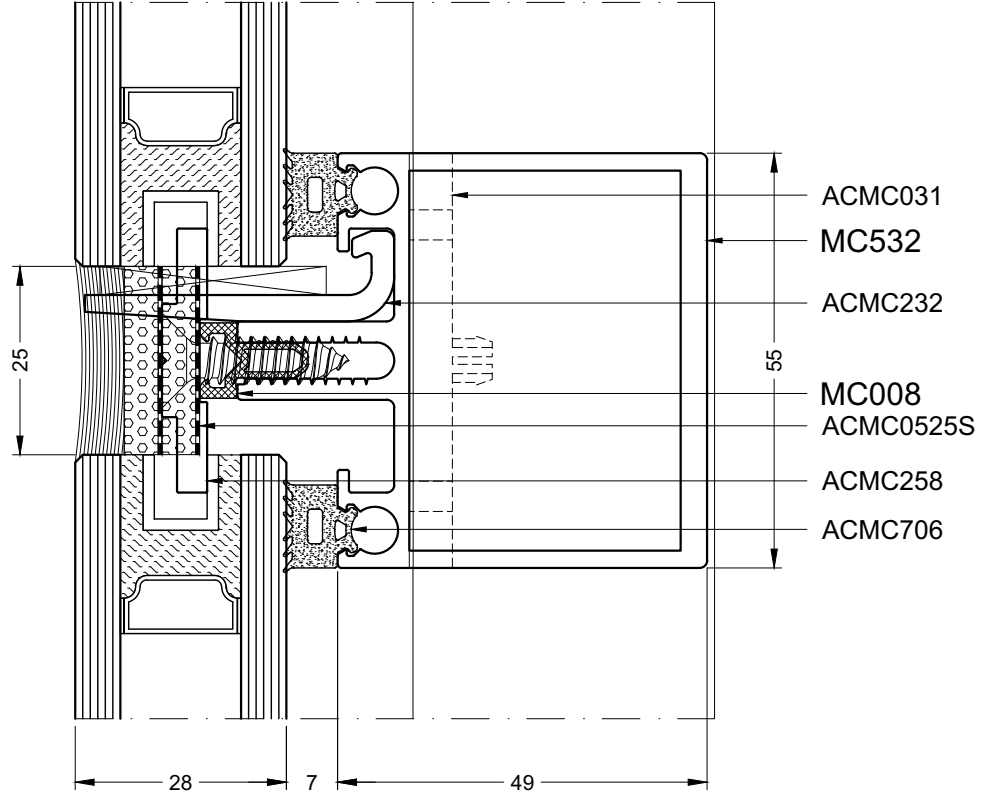
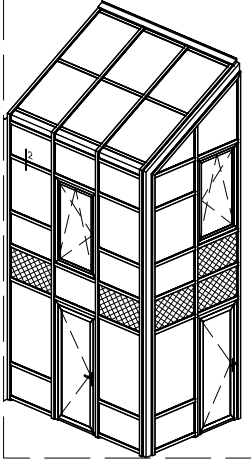
## 1.5



MCG\_1B.5

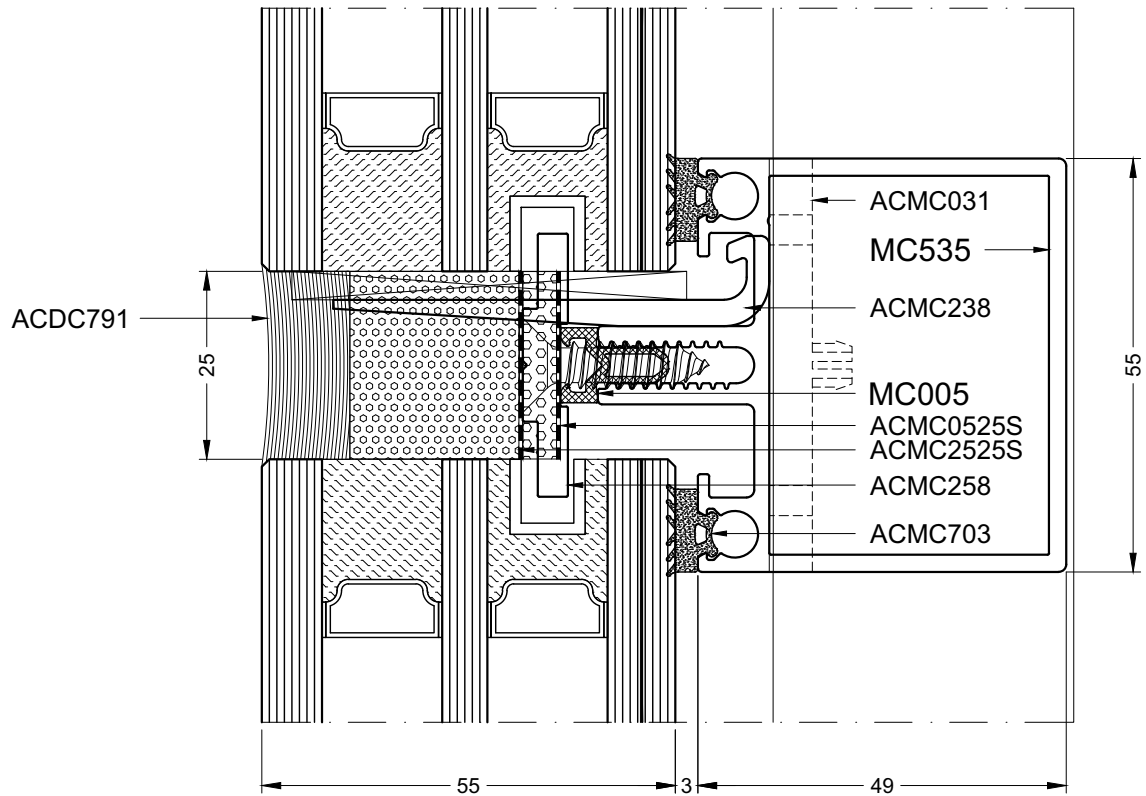
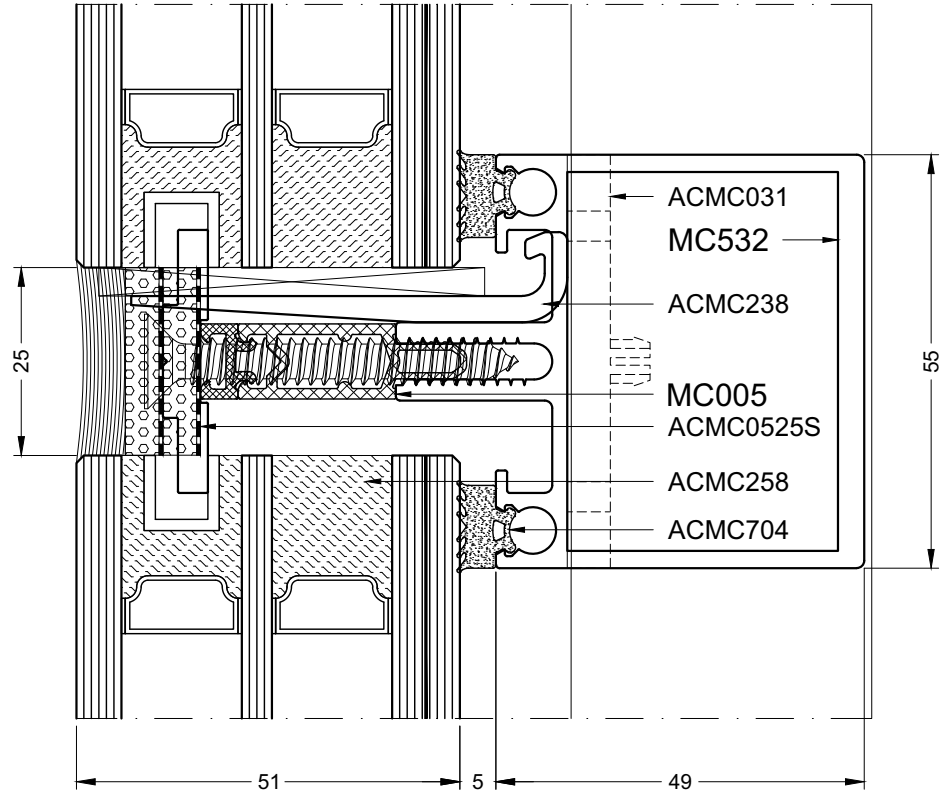
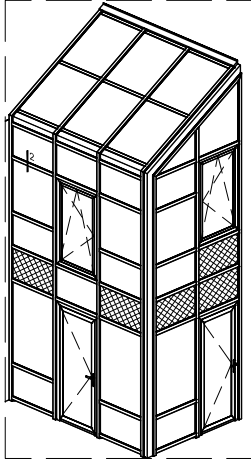
# MC-WALL

## 2.1



MCG\_2.1

## 2.2

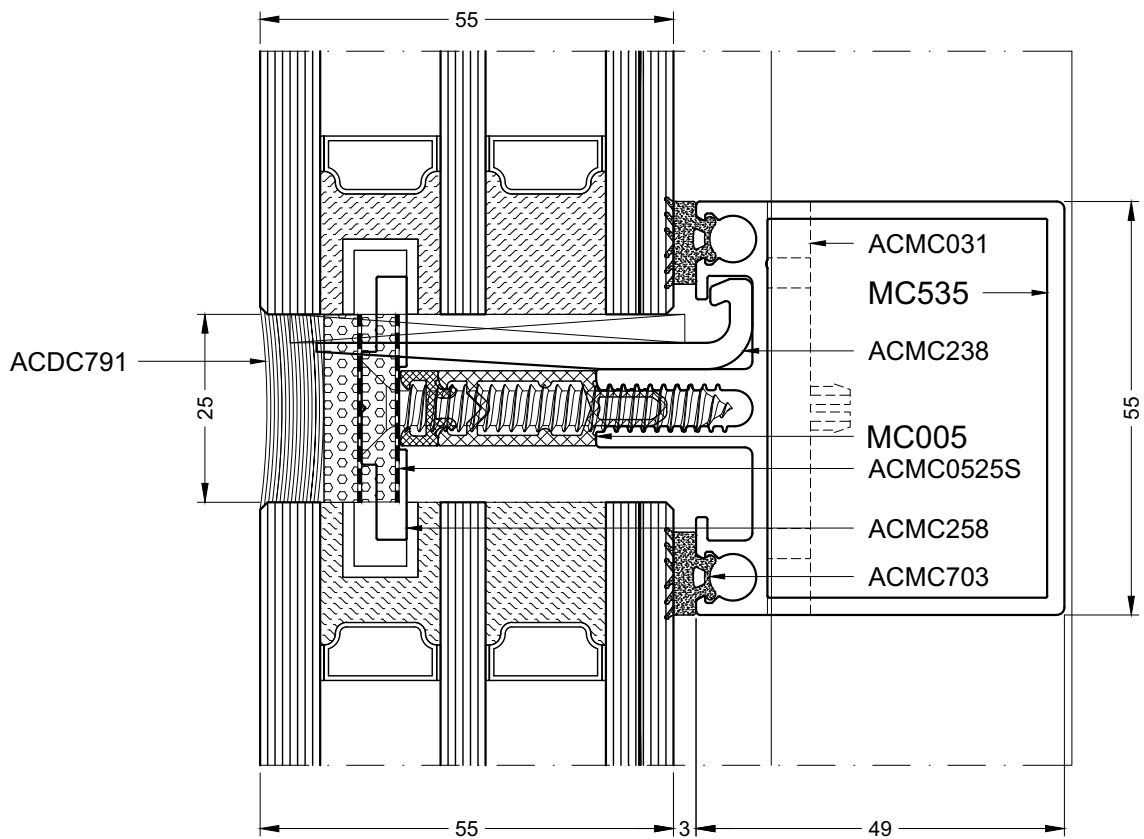
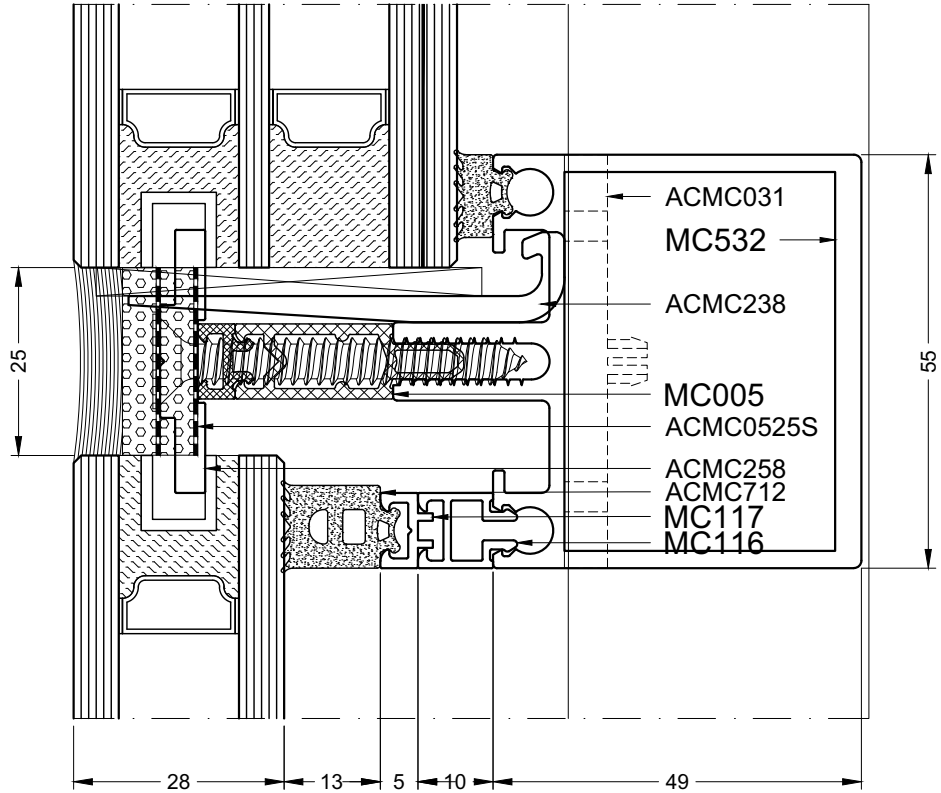
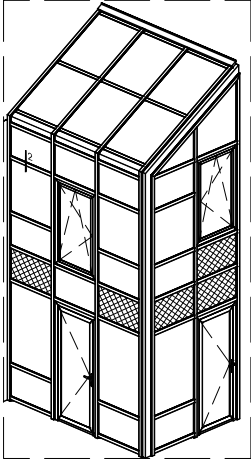


DOORSNEDETEKENINGEN - SECTION DE NOEUDS - PROFILKOMBINATIONEN - SECTION DRAWINGS

MCG\_2.2

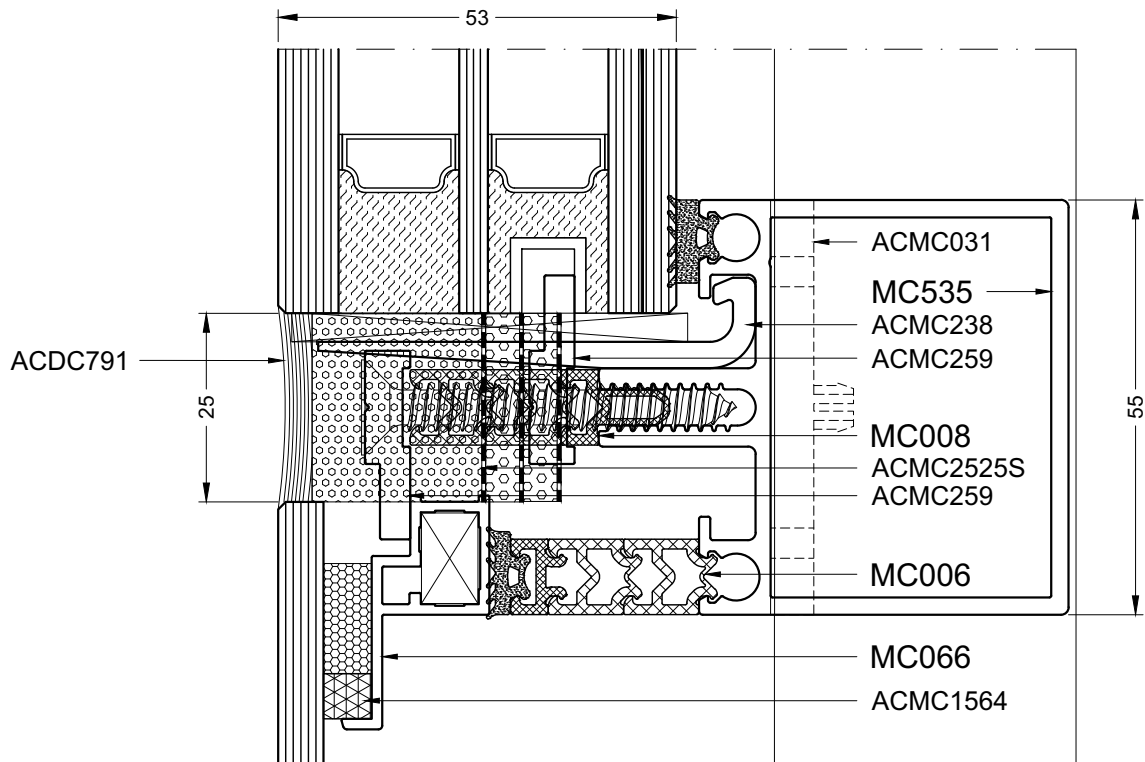
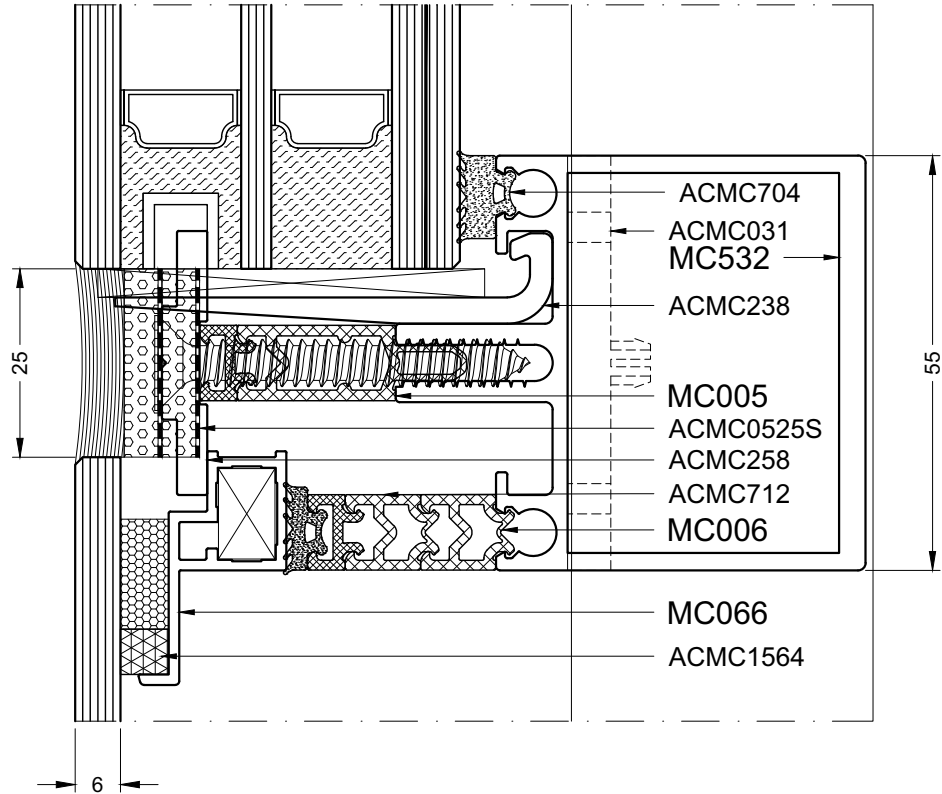
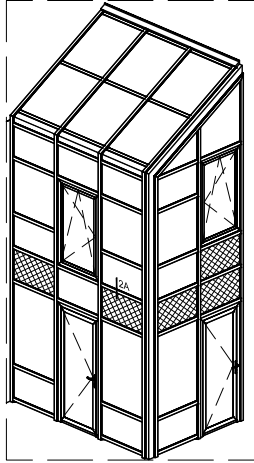
# MC-WALL

## 2.3



MCG\_2.3

2A

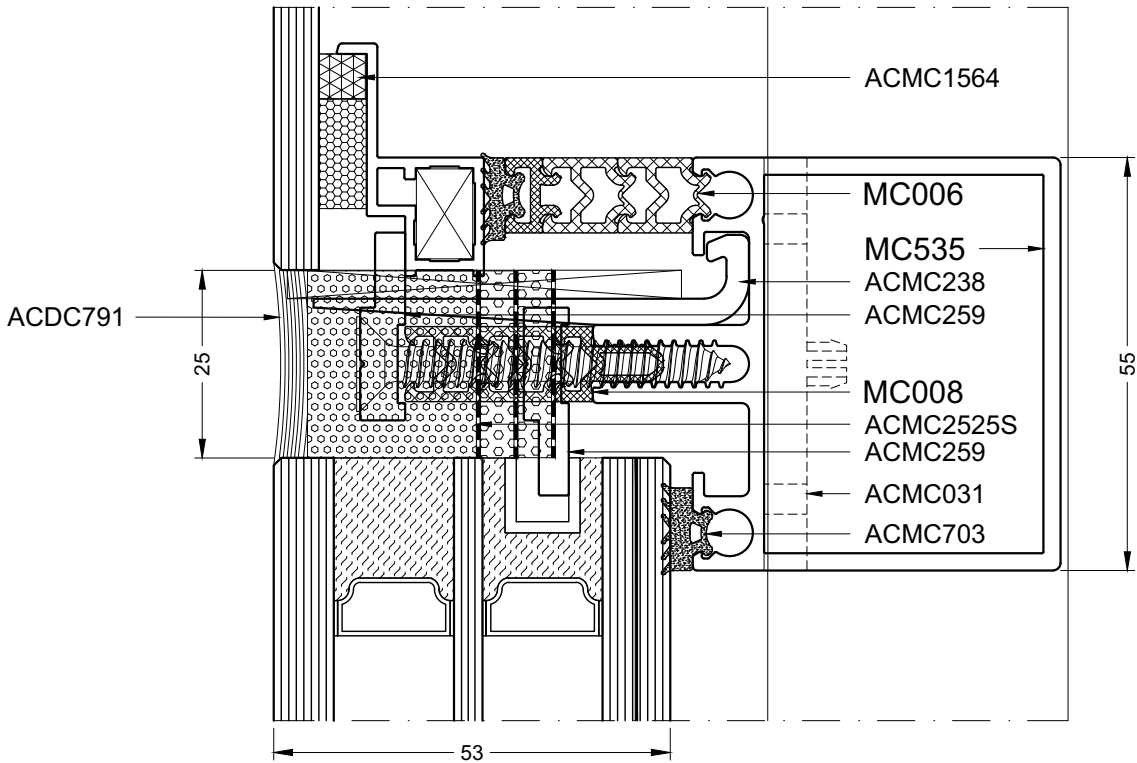
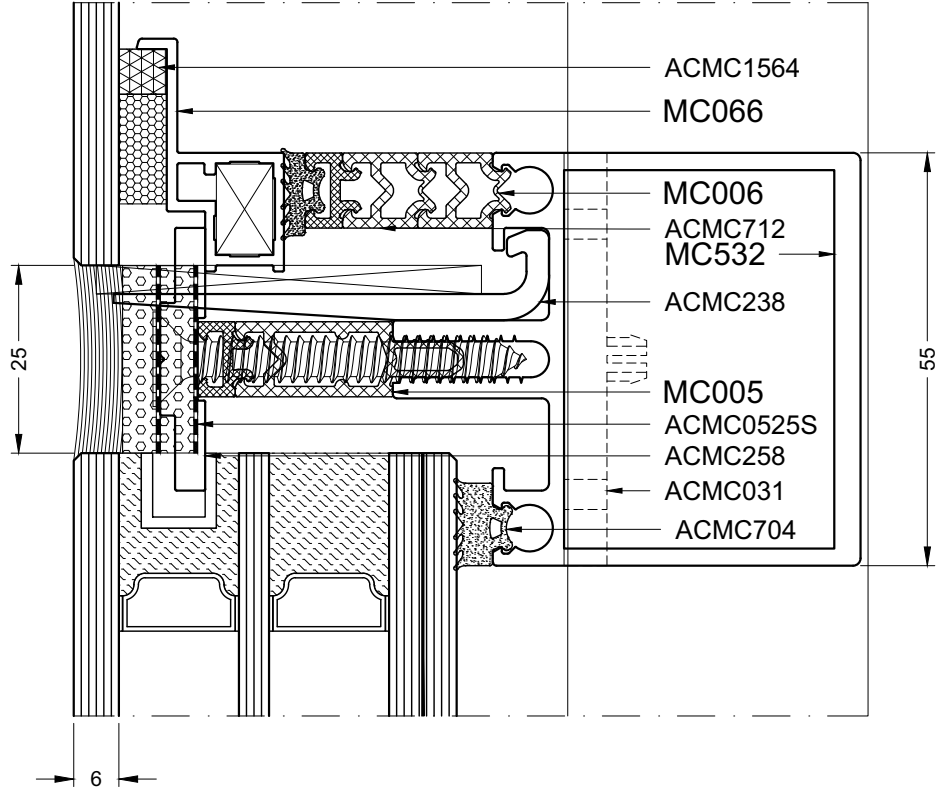
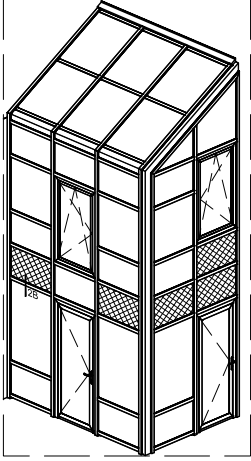


DOORSNEDETEKENINGEN - SECTION DE NOEUDS - PROFILKOMBINATIONEN - SECTION DRAWINGS

MCG\_2A

# MC-WALL

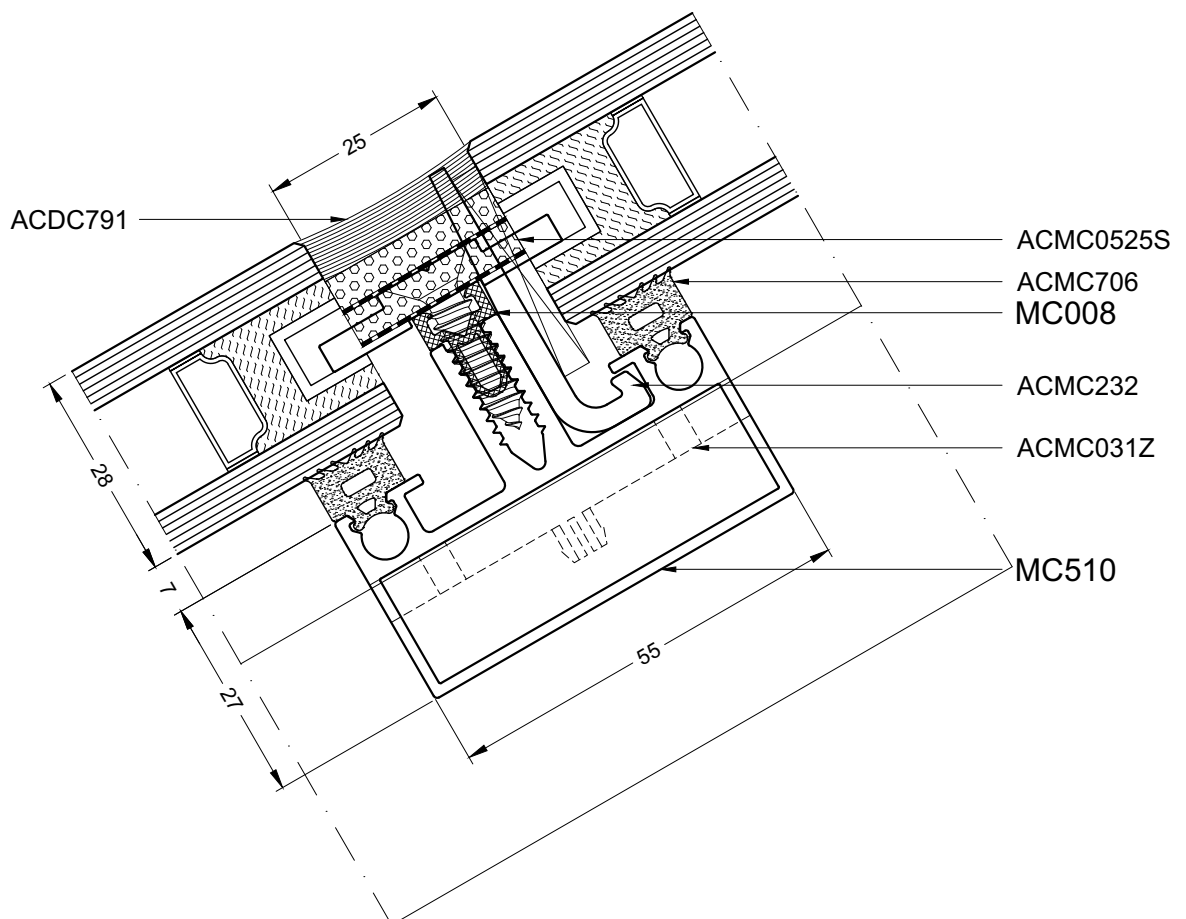
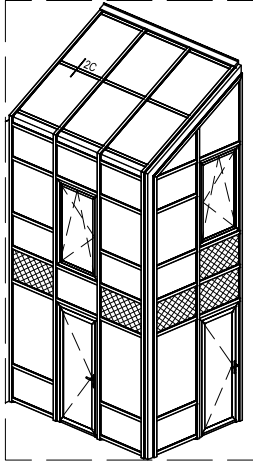
## 2B



MCG\_2B



## 2C

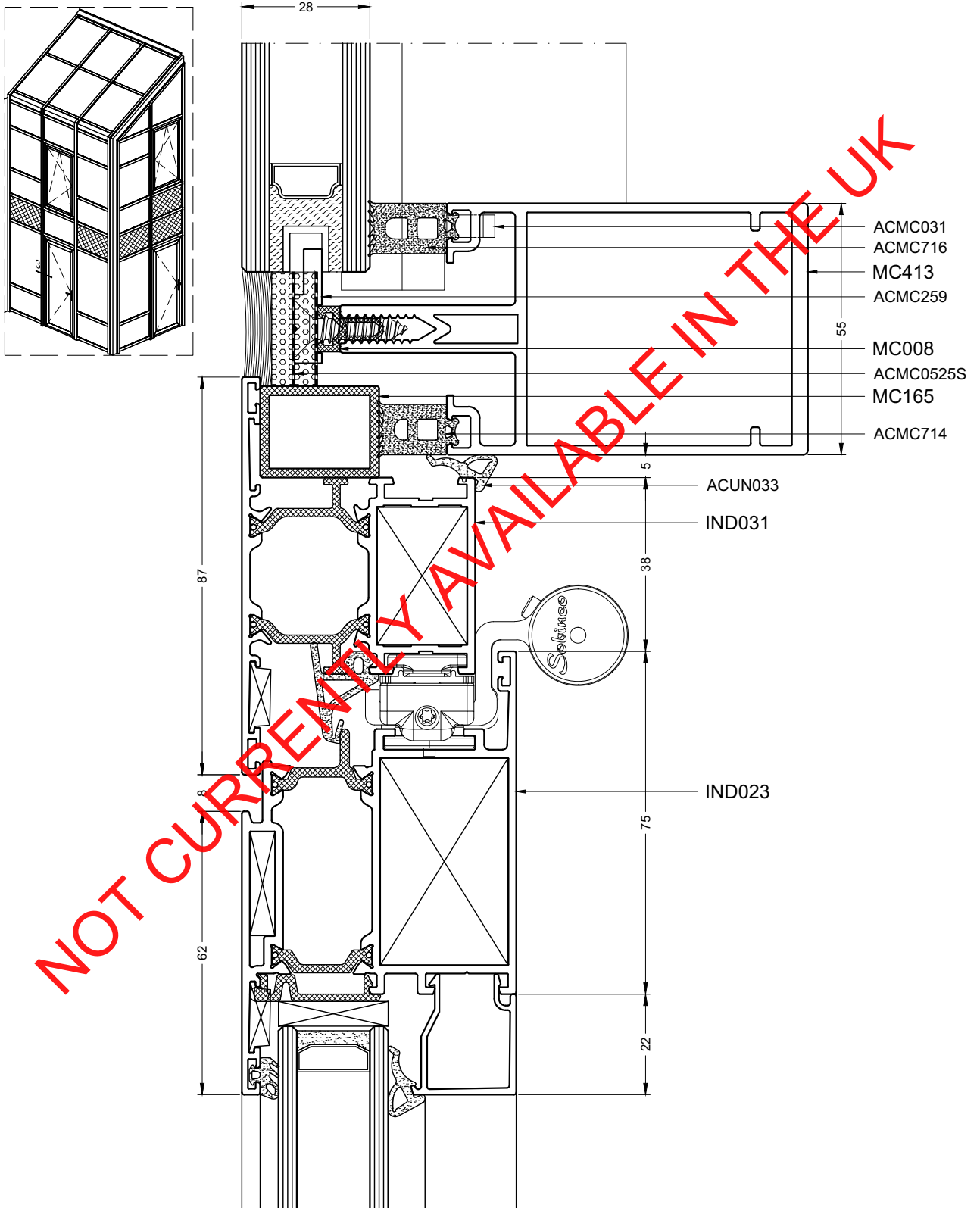


DOORSNEDETEKENINGEN - SECTION DE NOEUDS - PROFILKOMBINATIONEN - SECTION DRAWINGS

MCG\_2C

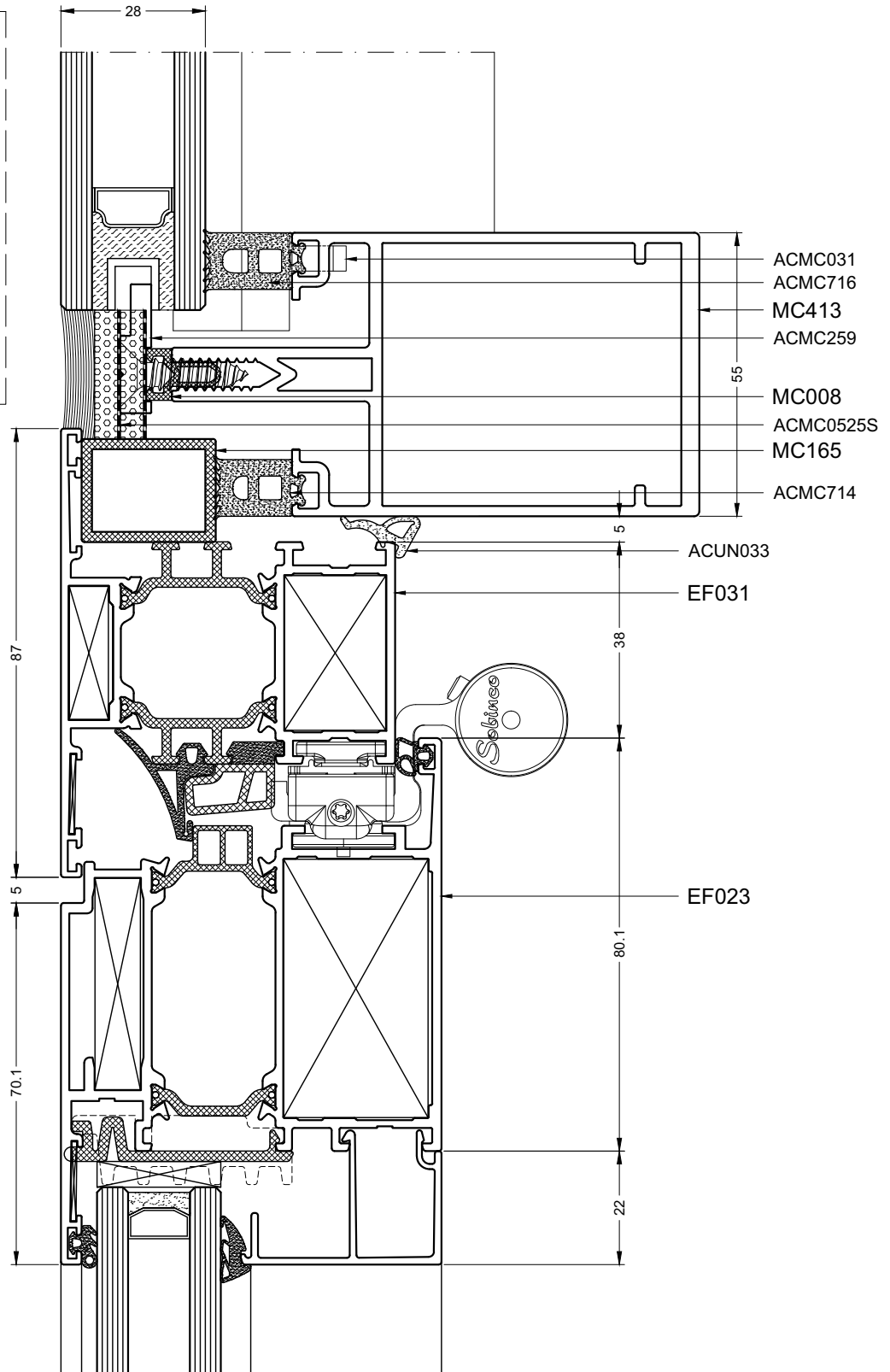
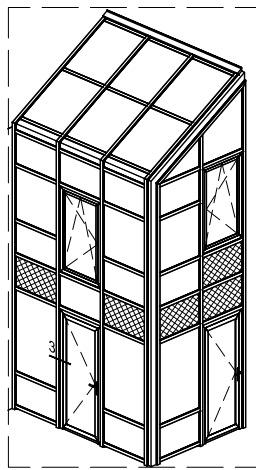
# MC-WALL

## 3.1



MCG\_3.1

## 3.2

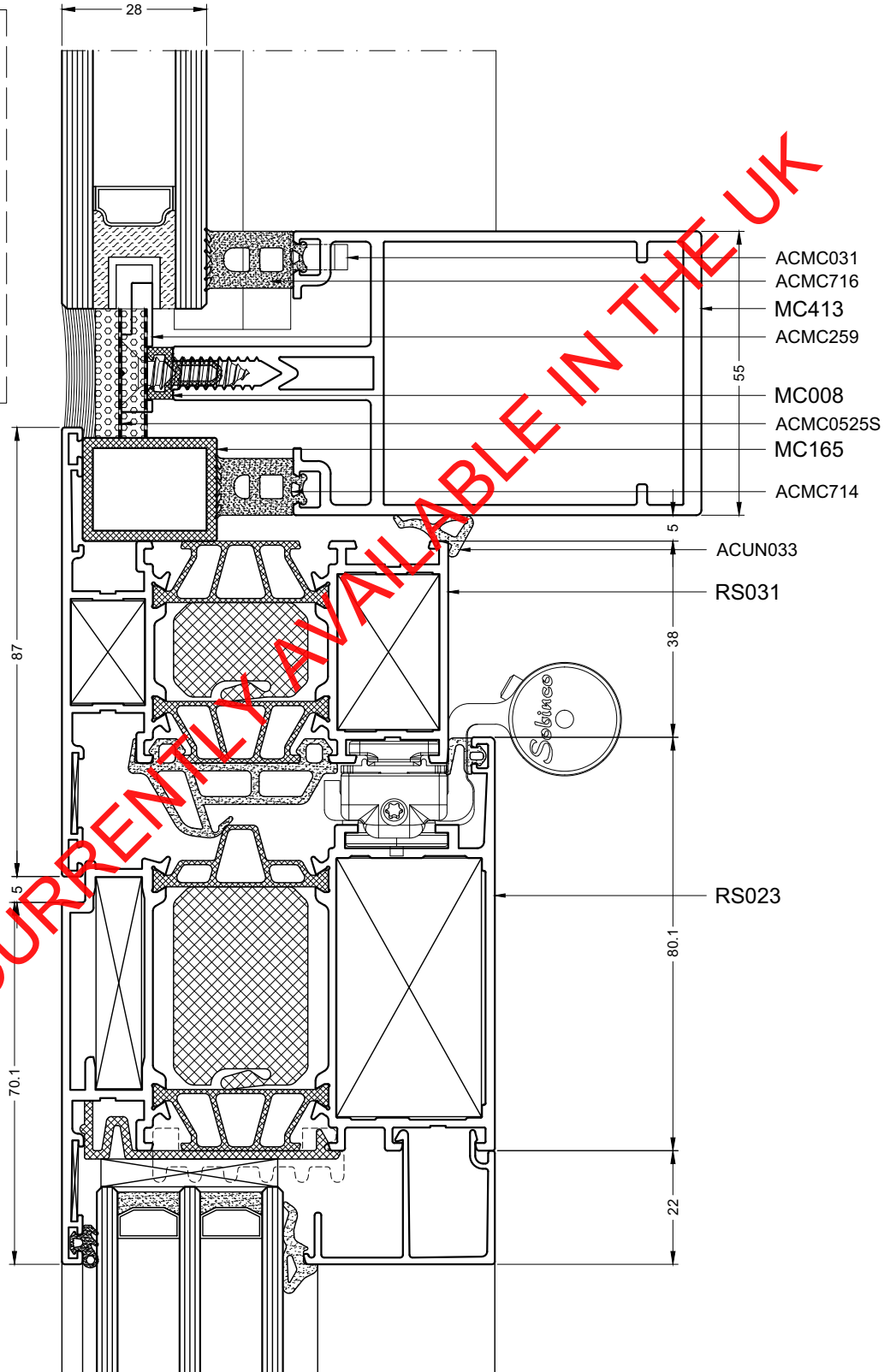
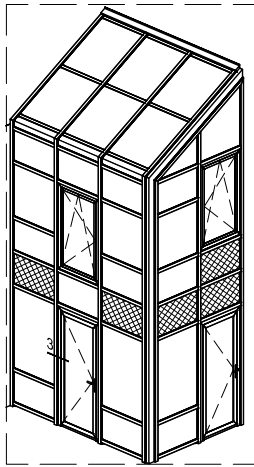


DOORSNEDETEKENINGEN - SECTION DE NOEUDS - PROFILKOMBINATIONEN - SECTION DRAWINGS

MCG\_3.2

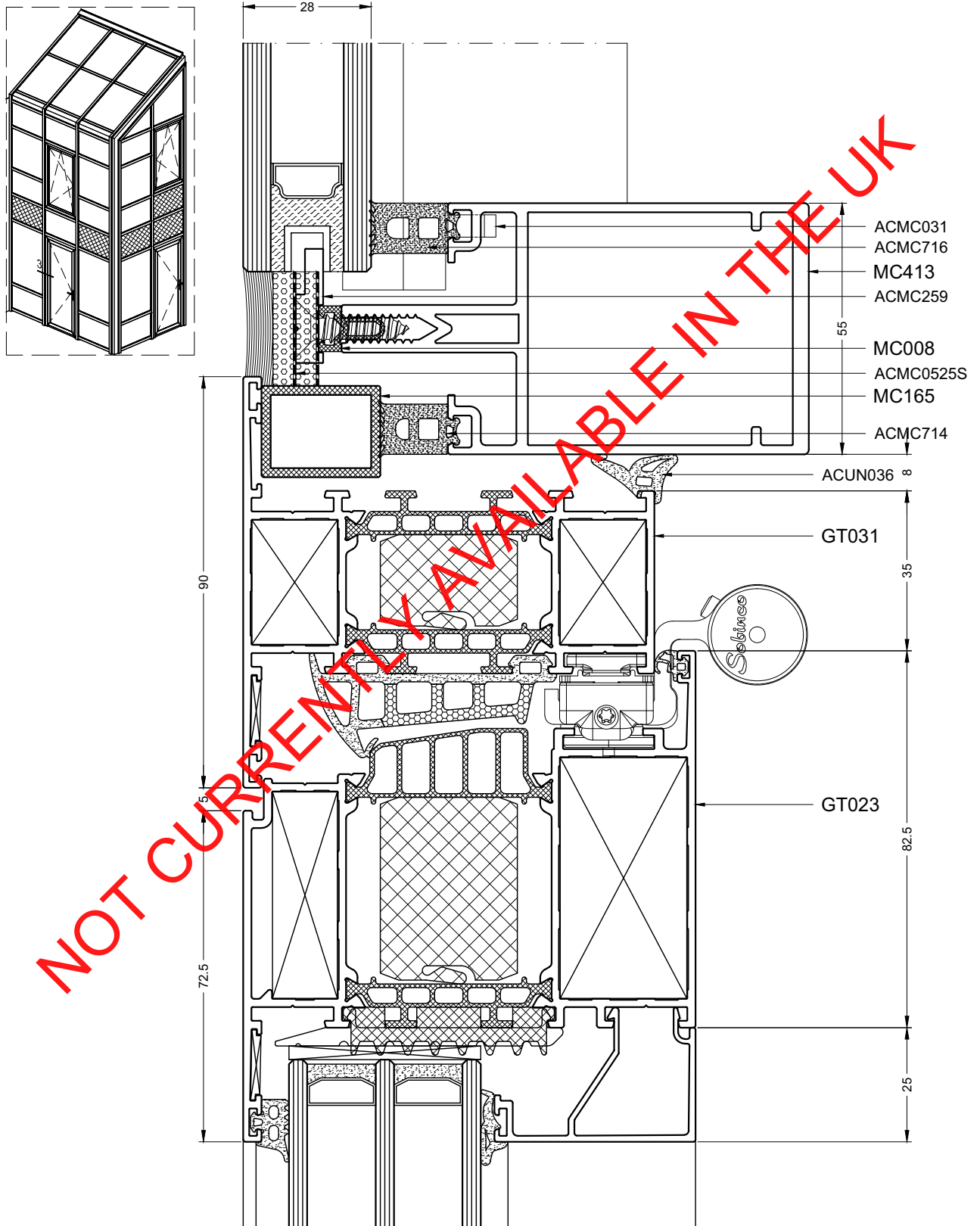
# MC-WALL

## 3.3



NOT CURRENTLY AVAILABLE IN THE UK

## 3.4

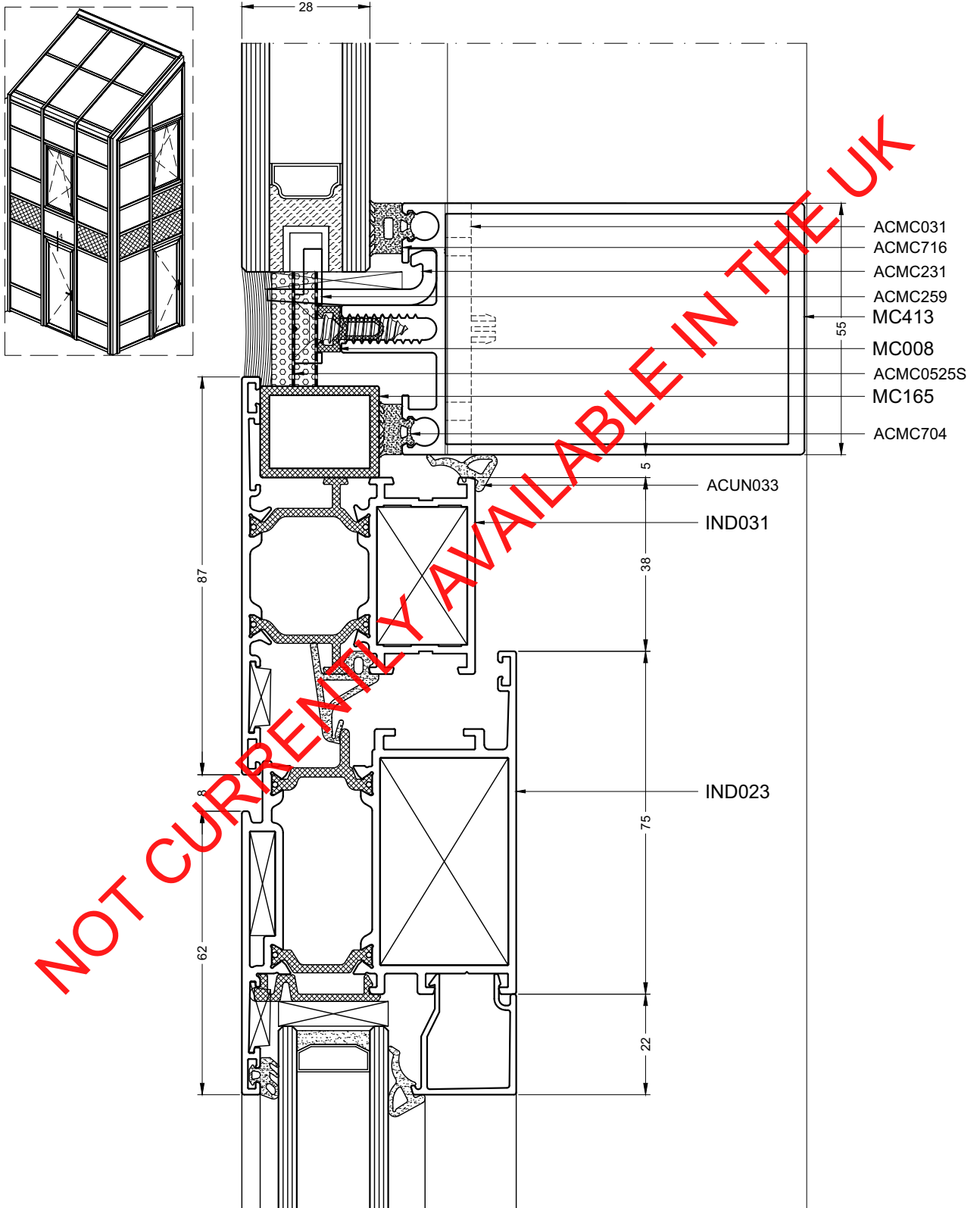


DOORSNEDETEKENINGEN - SECTION DE NOEUDS - PROFILKOMBINATIONEN - SECTION DRAWINGS

MCG\_3.4

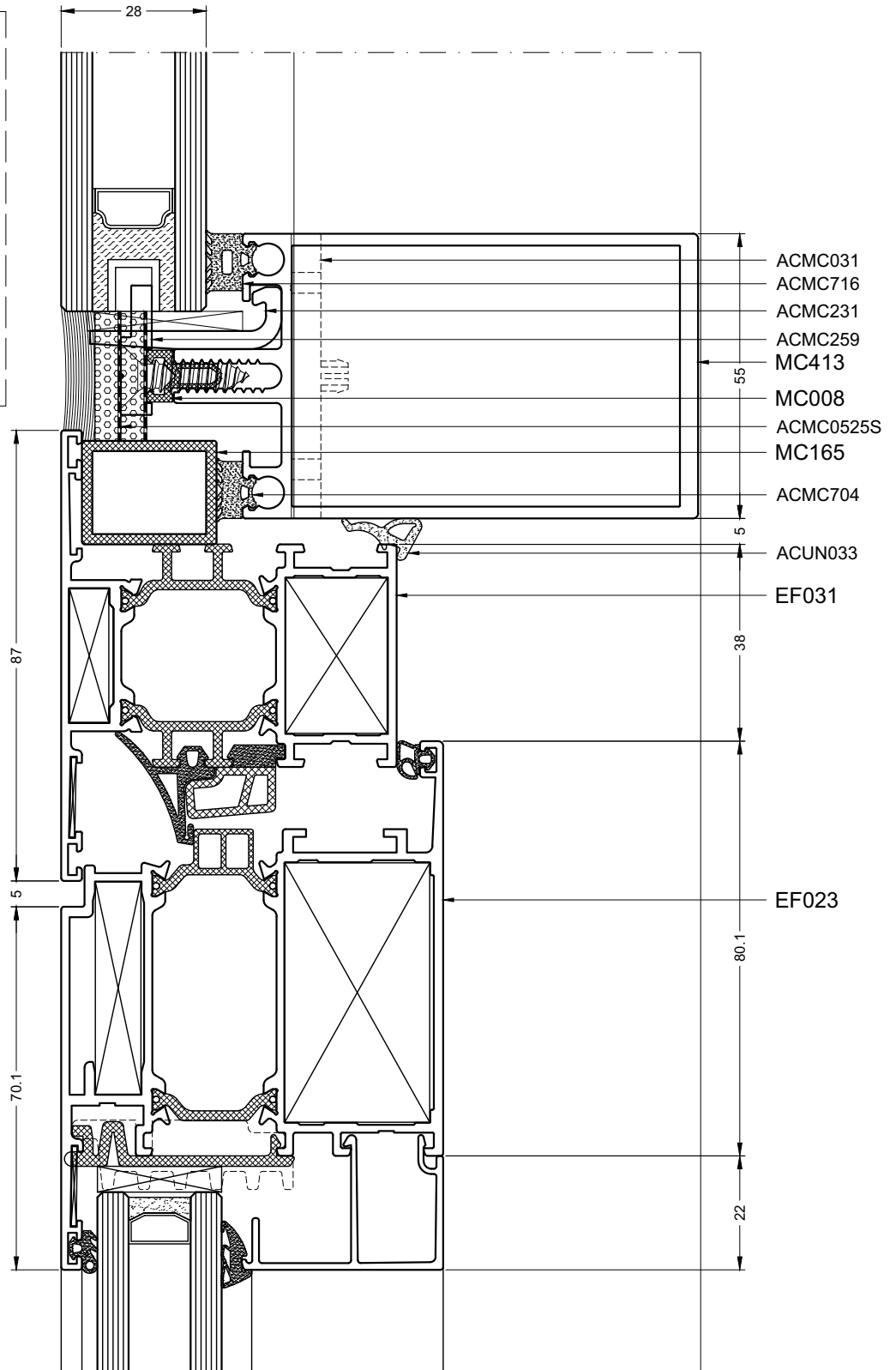
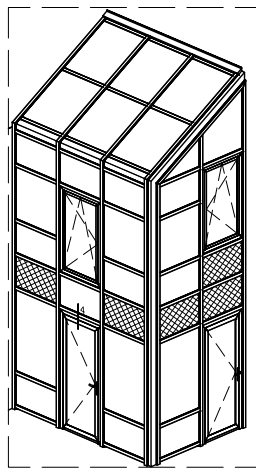
# MC-WALL

## 4.1



MCG\_4.1

## 4.2

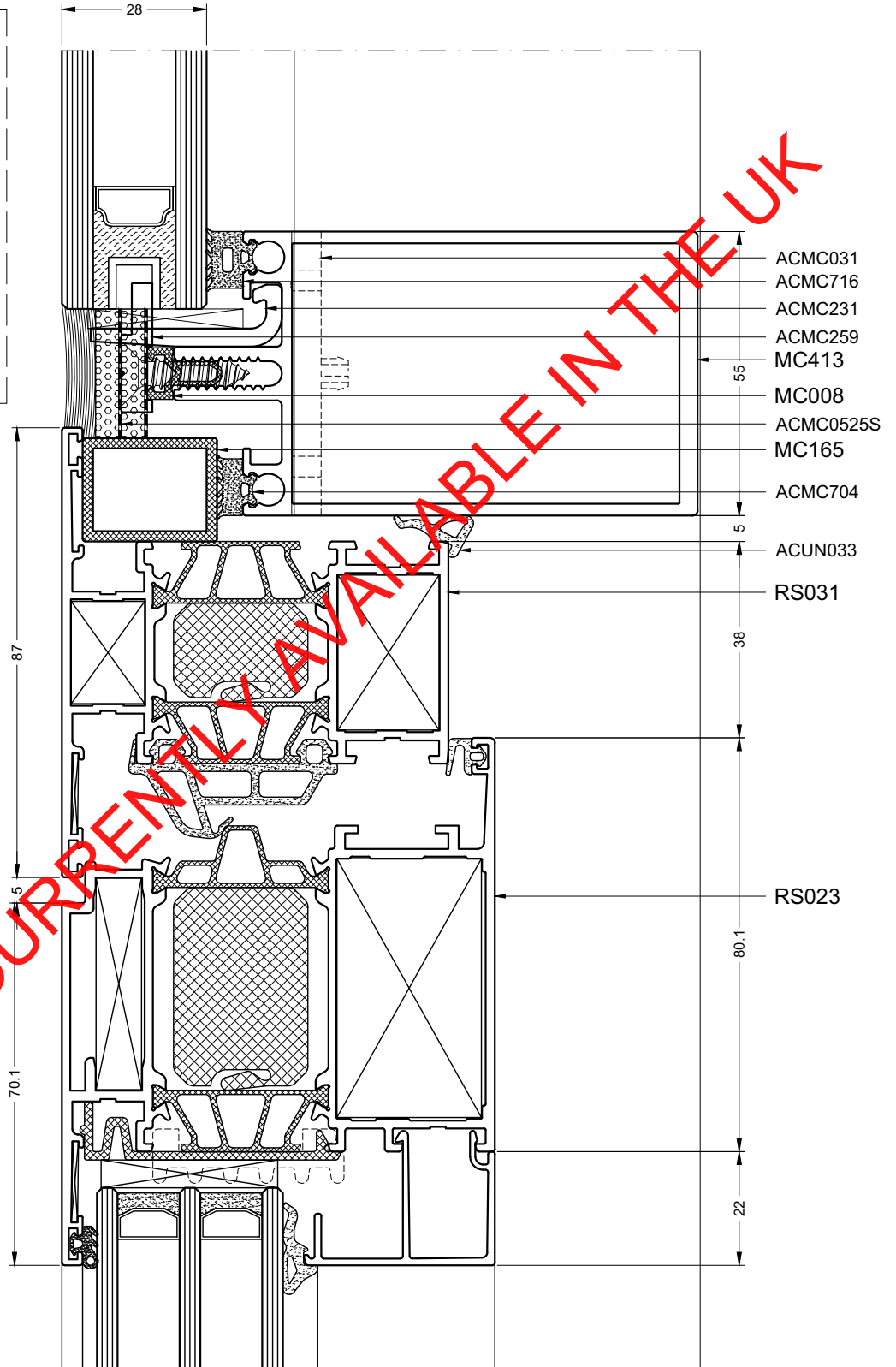
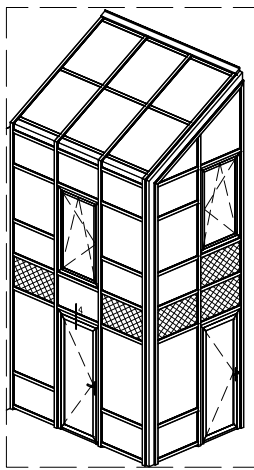


DOORSNEDETEKENINGEN - SECTION DE NOEUDS - PROFILKOMBINATIONEN - SECTION DRAWINGS

MCG\_4.2

# MC-WALL

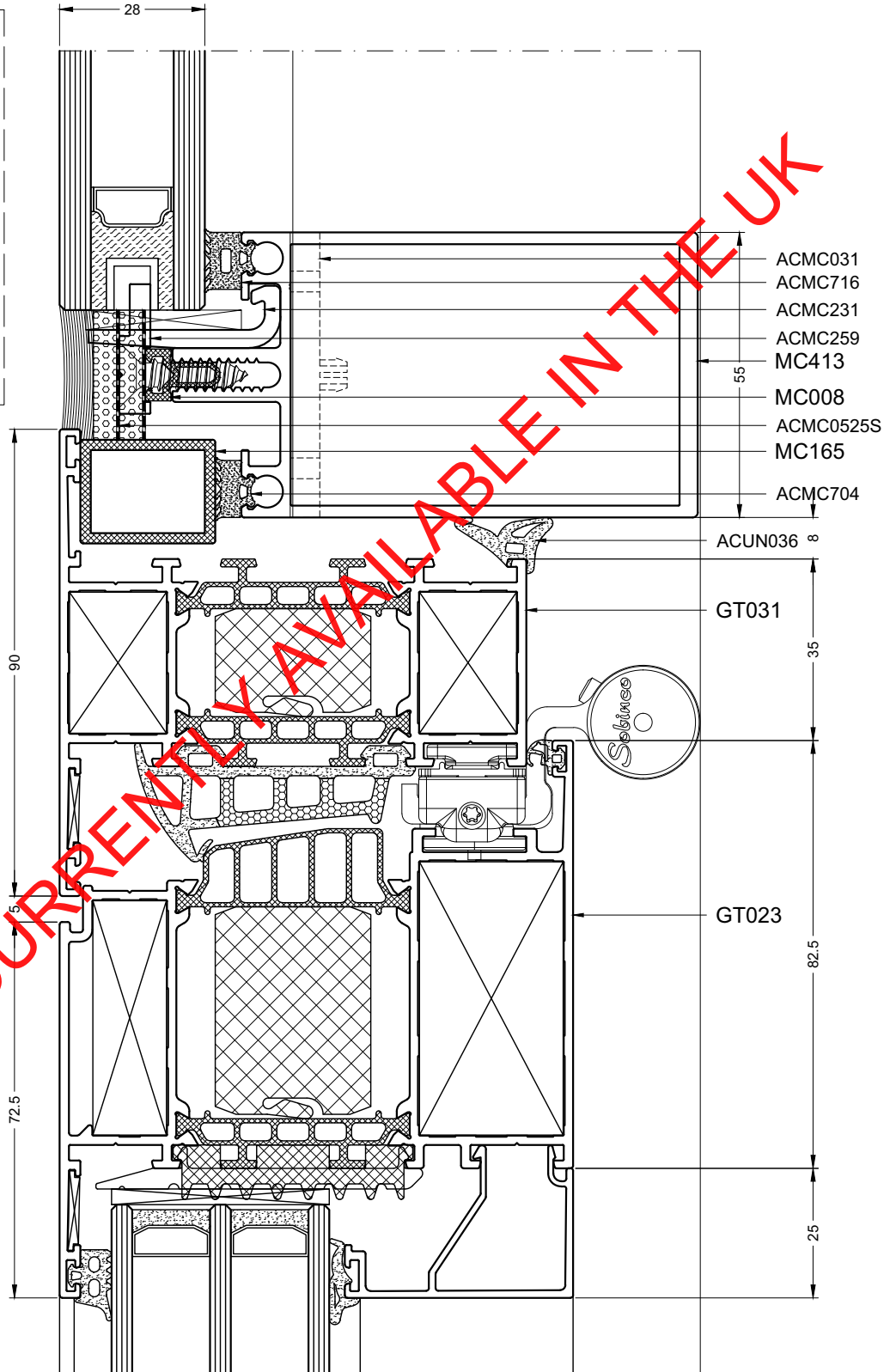
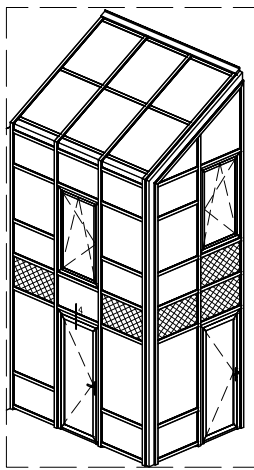
## 4.3



NOT CURRENTLY AVAILABLE IN THE UK



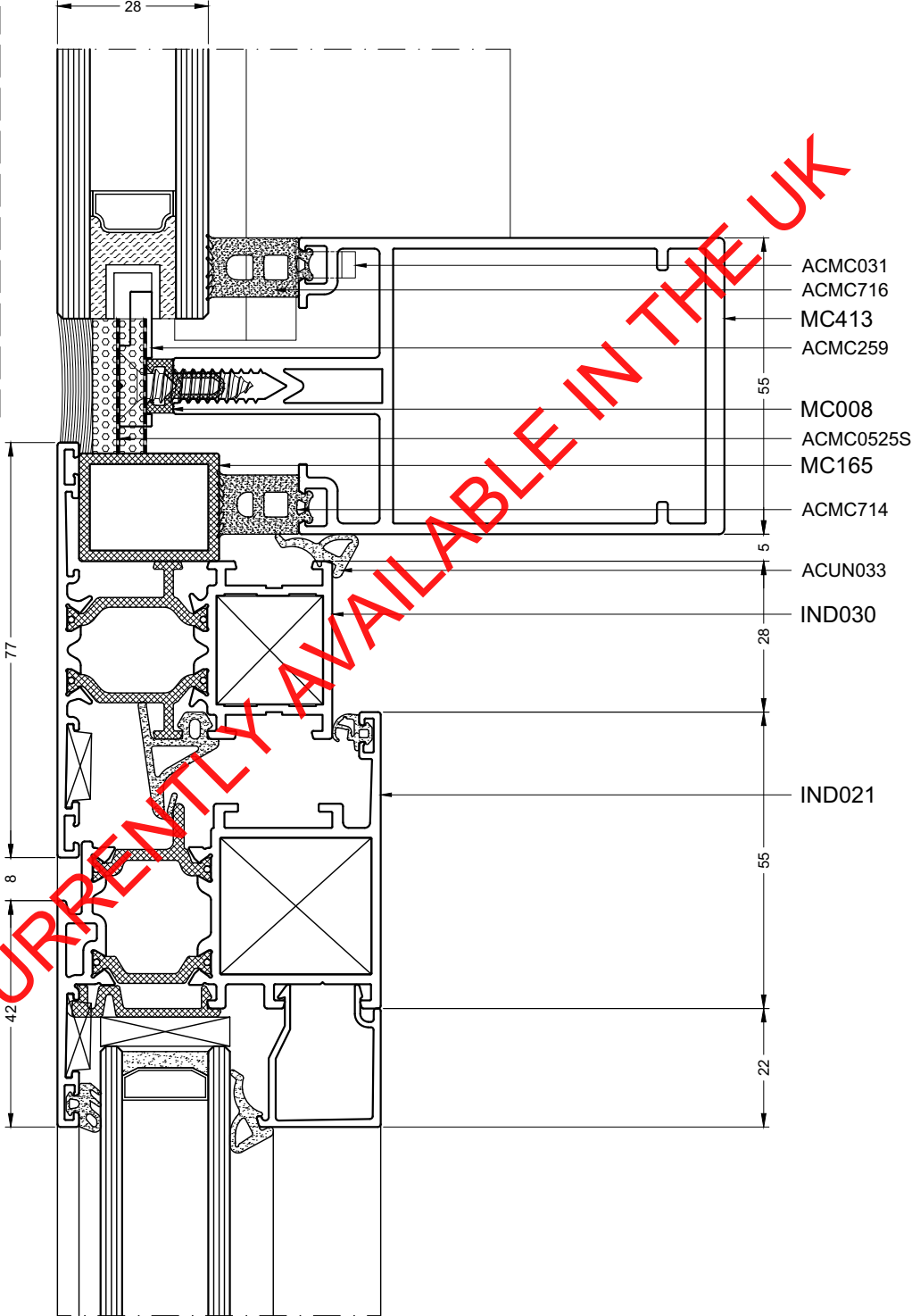
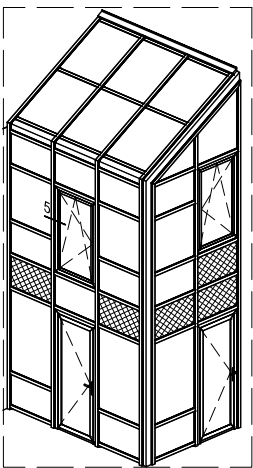
## 4.4



DOORSNEDETEKENINGEN - SECTION DE NOEUDS - PROFILKOMBINATIONEN - SECTION DRAWINGS

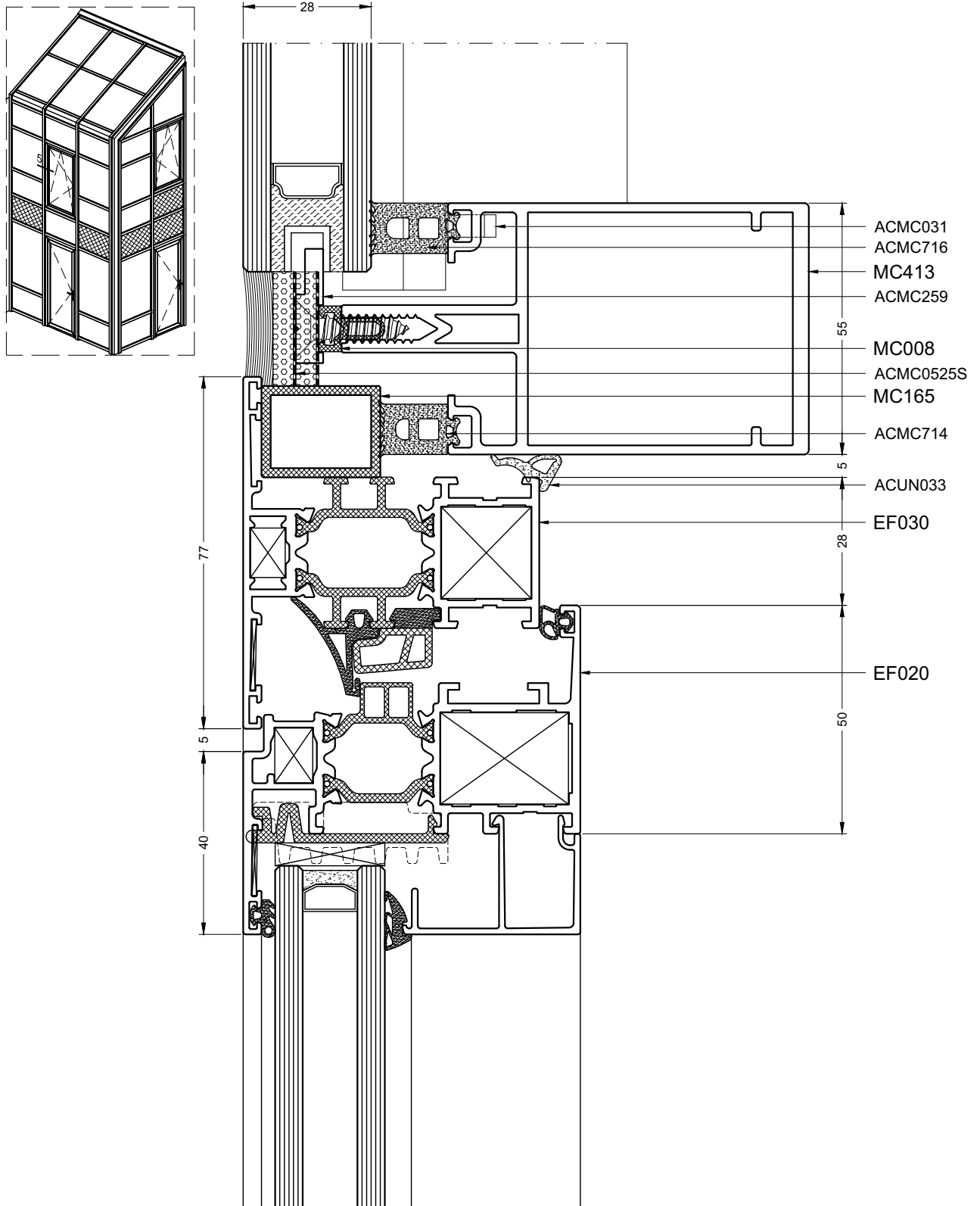
# MC-WALL

## 5.1



NOT CURRENTLY AVAILABLE IN THE UK

## 5.2

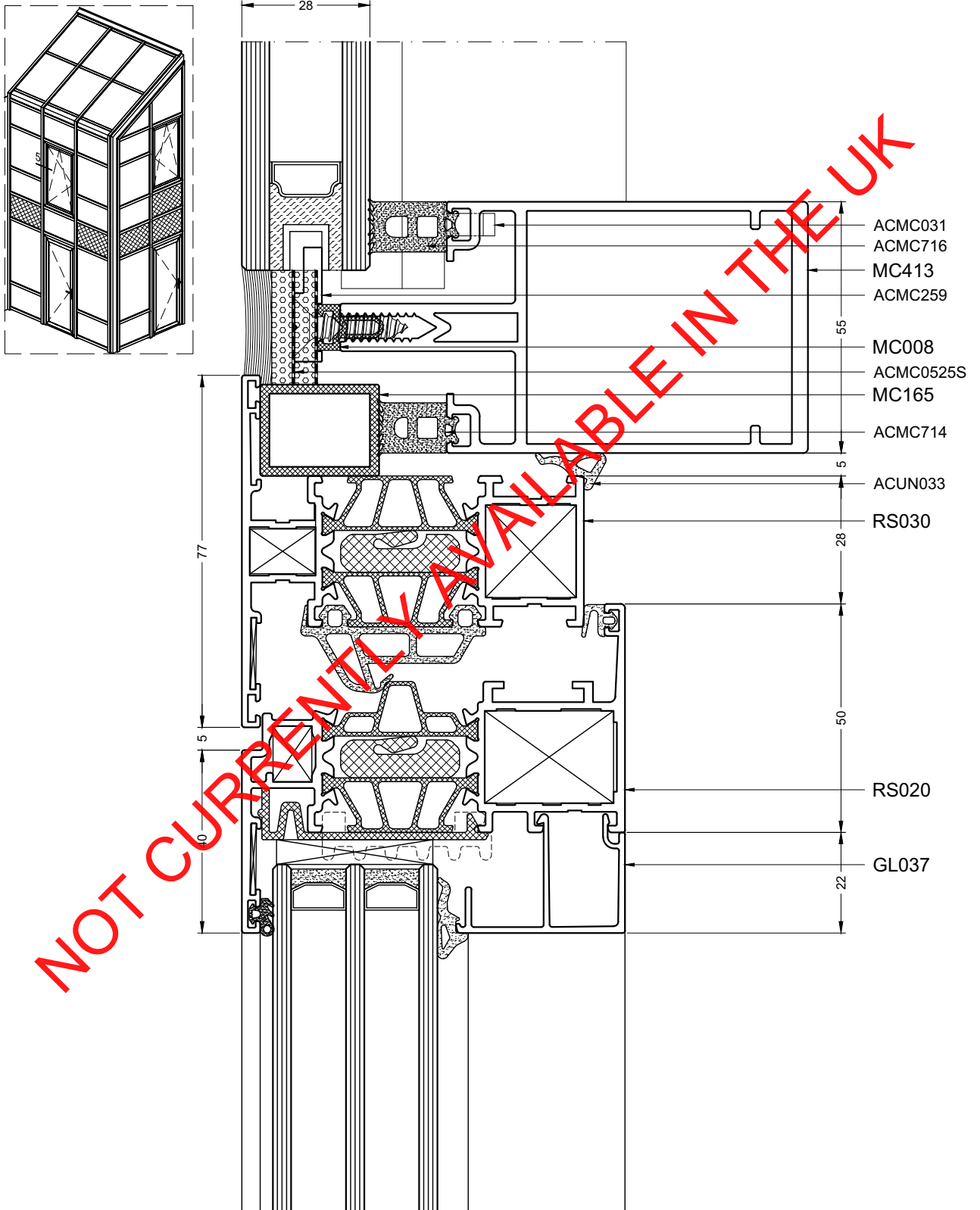


DOORSNEDETEKENINGEN - SECTION DE NOEUDS - PROFILKOMBINATIONEN - SECTION DRAWINGS

MCG\_5.2

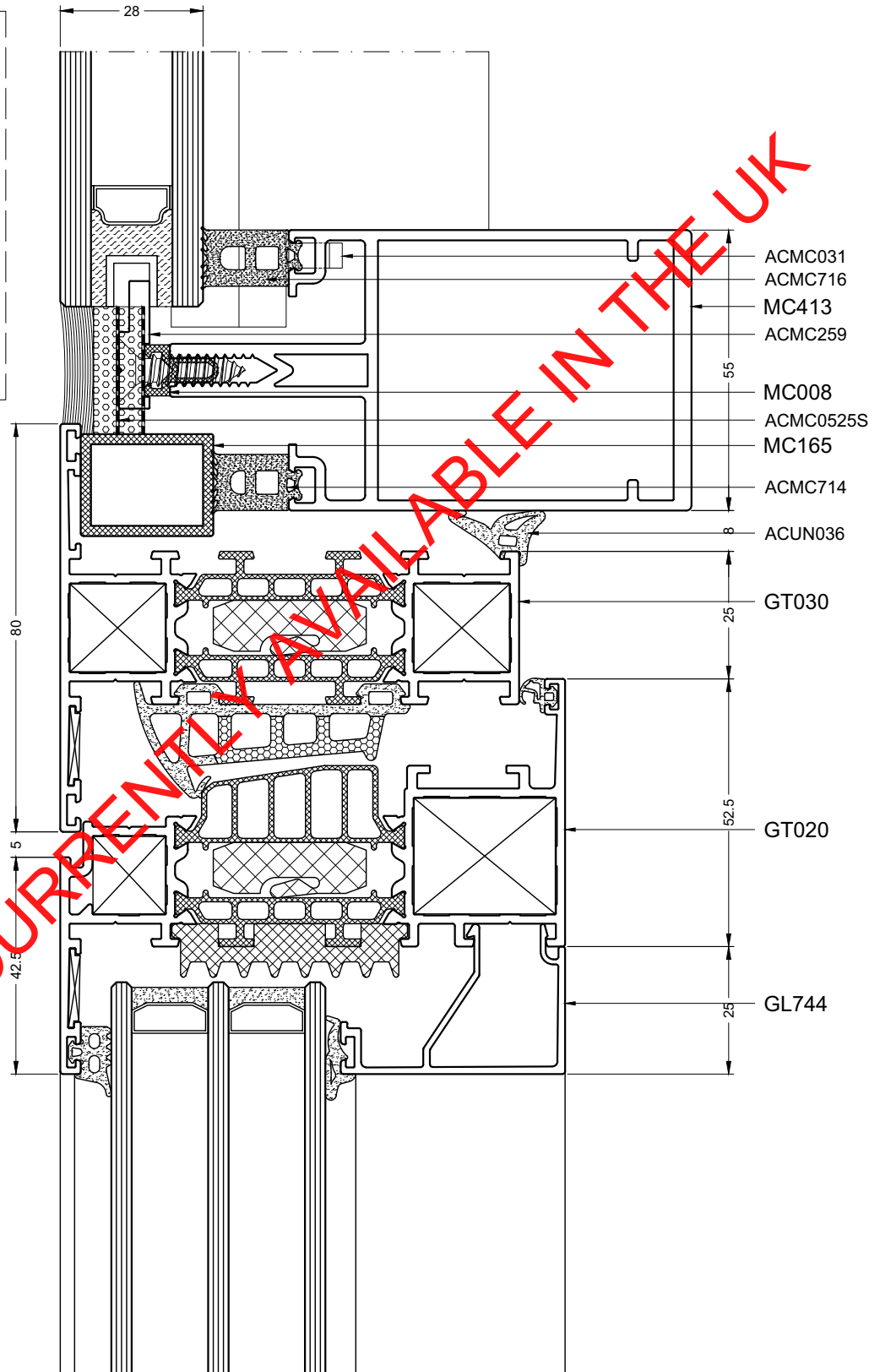
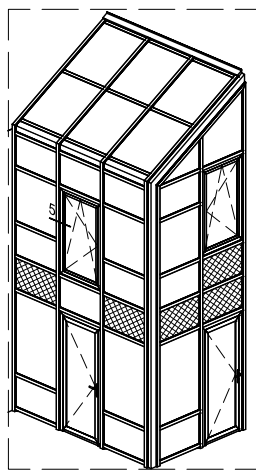
# MC-WALL

## 5.3



MCG\_5.3

## 5.4

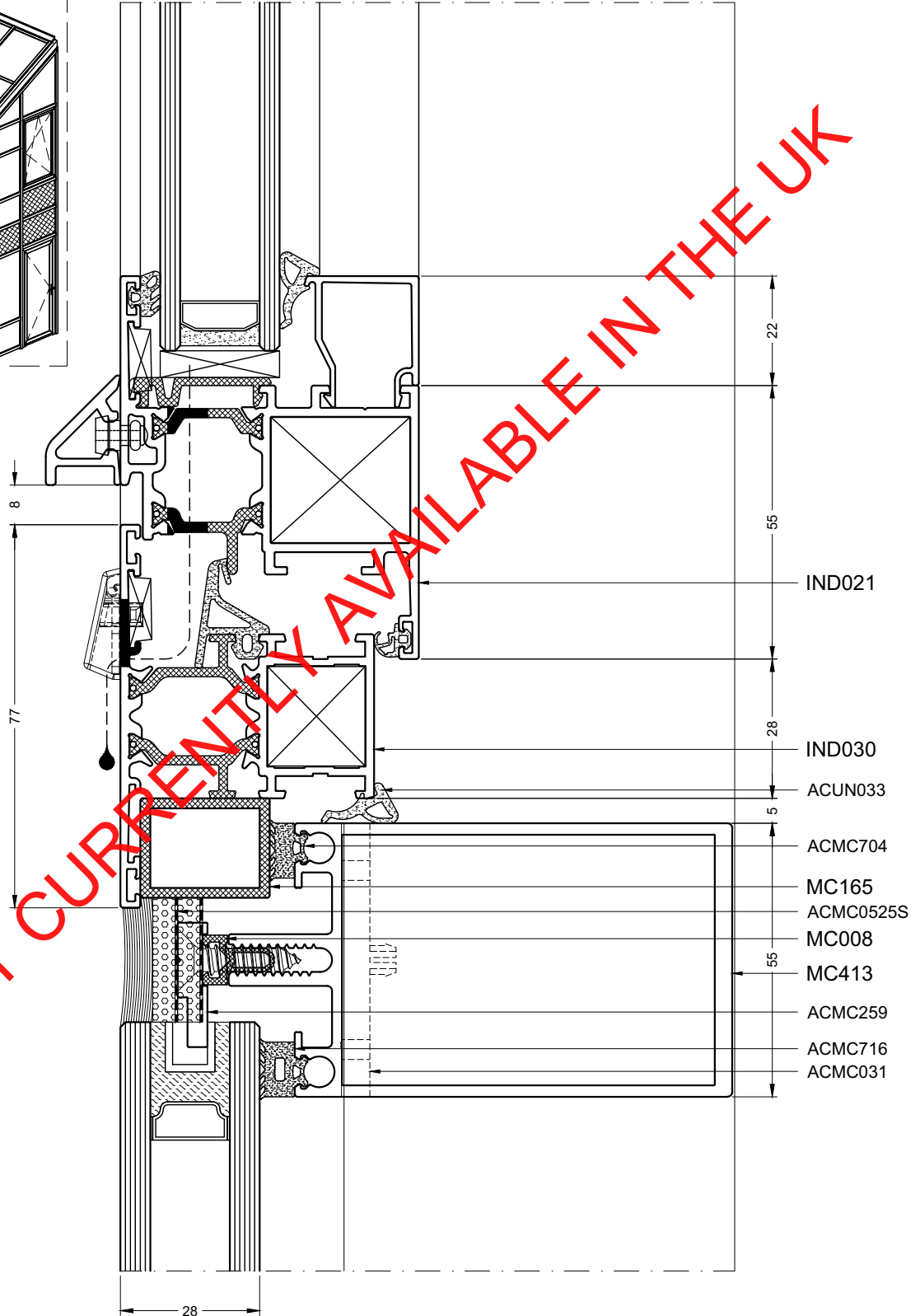
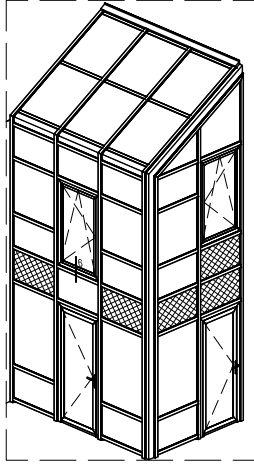


DOORSNEDETEKENINGEN - SECTION DE NOEUDS - PROFILKOMBINATIONEN - SECTION DRAWINGS

MCG\_5.4

# MC-WALL

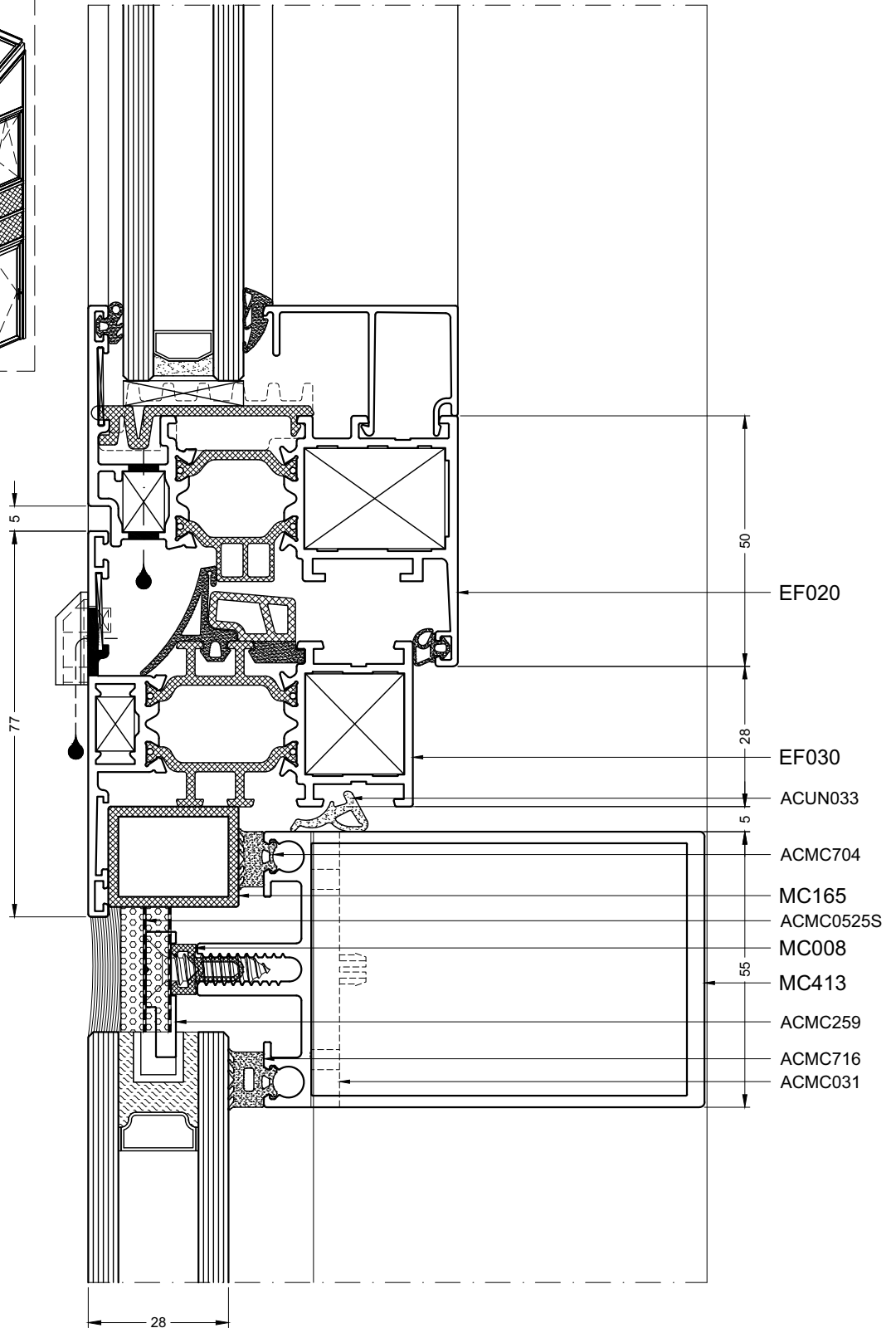
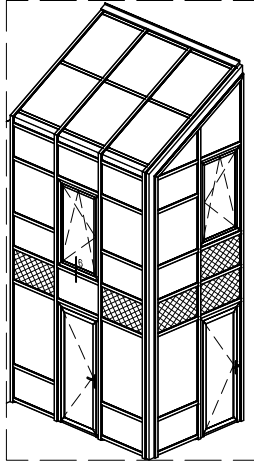
## 6.1



NOT CURRENTLY AVAILABLE IN THE UK

MCG\_6.1

## 6.2

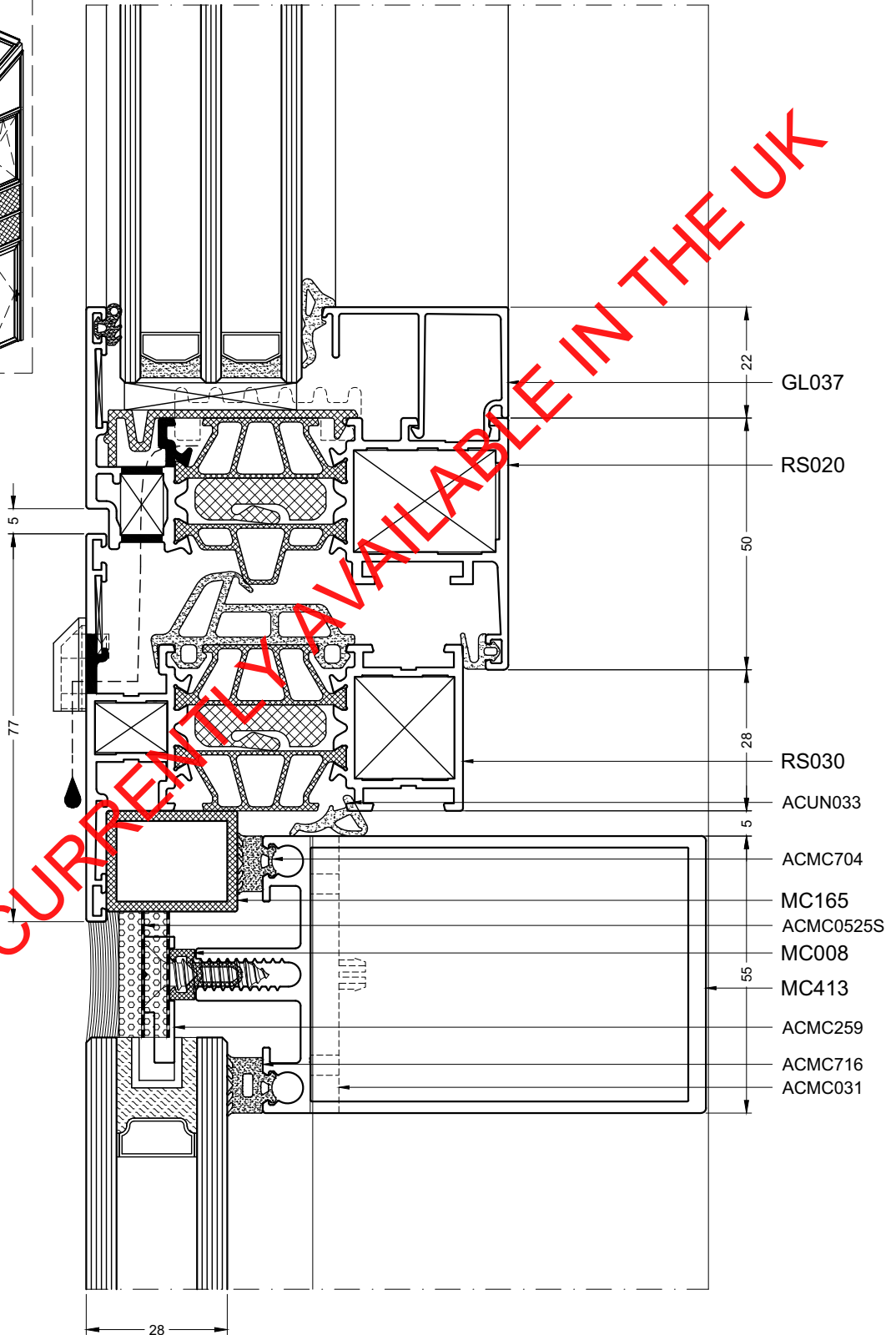
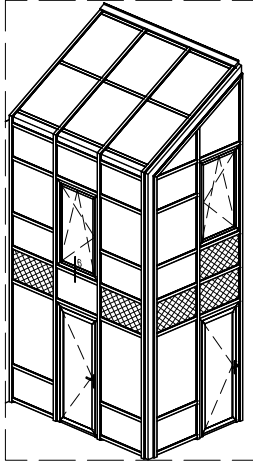


DOORSNEDETEKENINGEN - SECTION DE NOEUDS - PROFILKOMBINATIONEN - SECTION DRAWINGS

MCG\_6.2

# MC-WALL

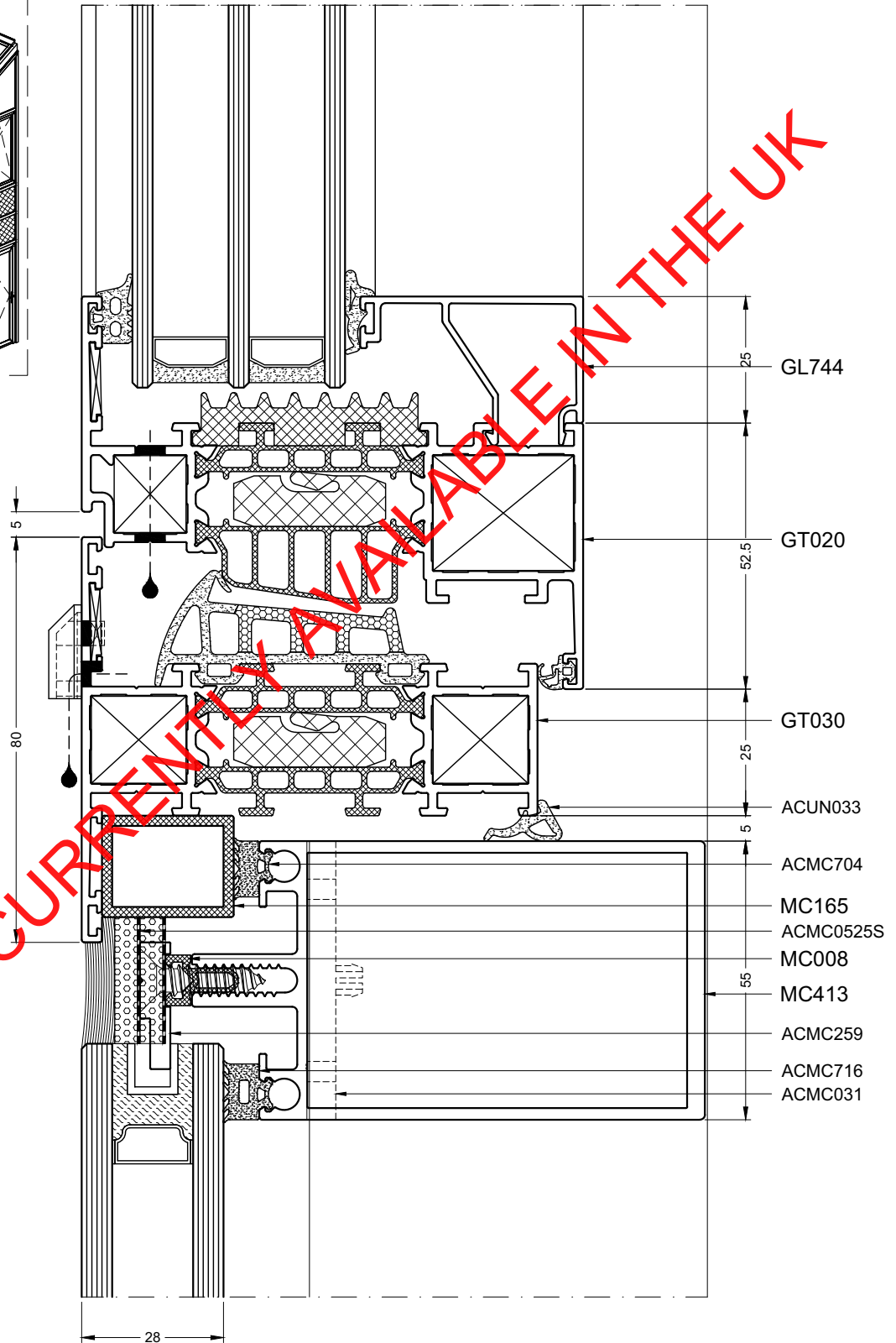
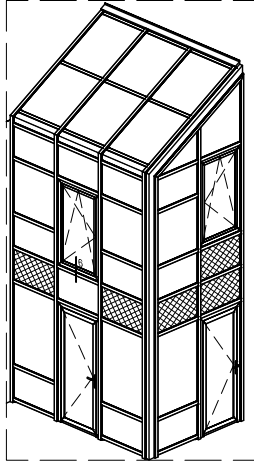
## 6.3



MCG\_6.3



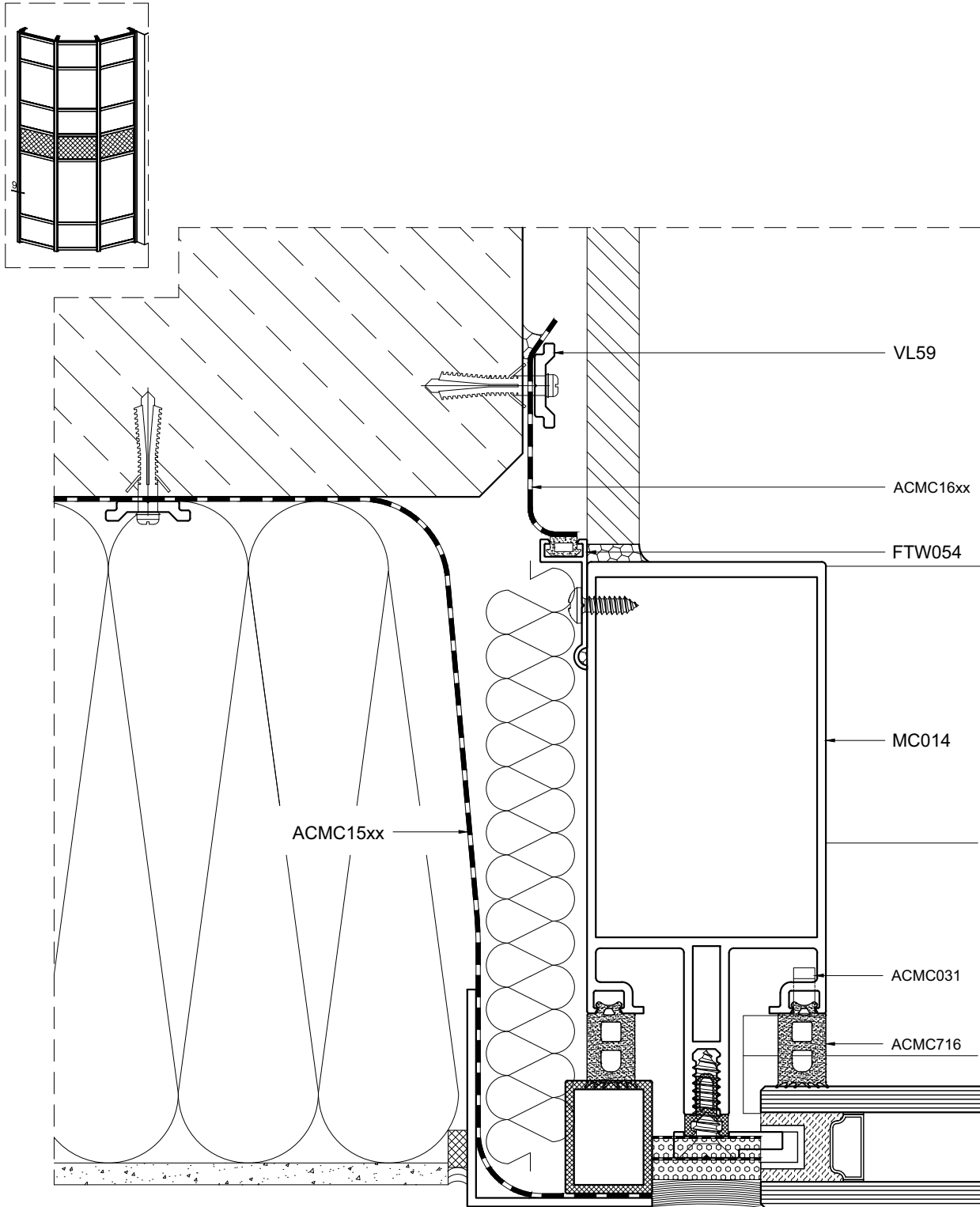
## 6.4



DOORSNEDETEKENINGEN - SECTION DE NOEUDS - PROFILKOMBINATIONEN - SECTION DRAWINGS

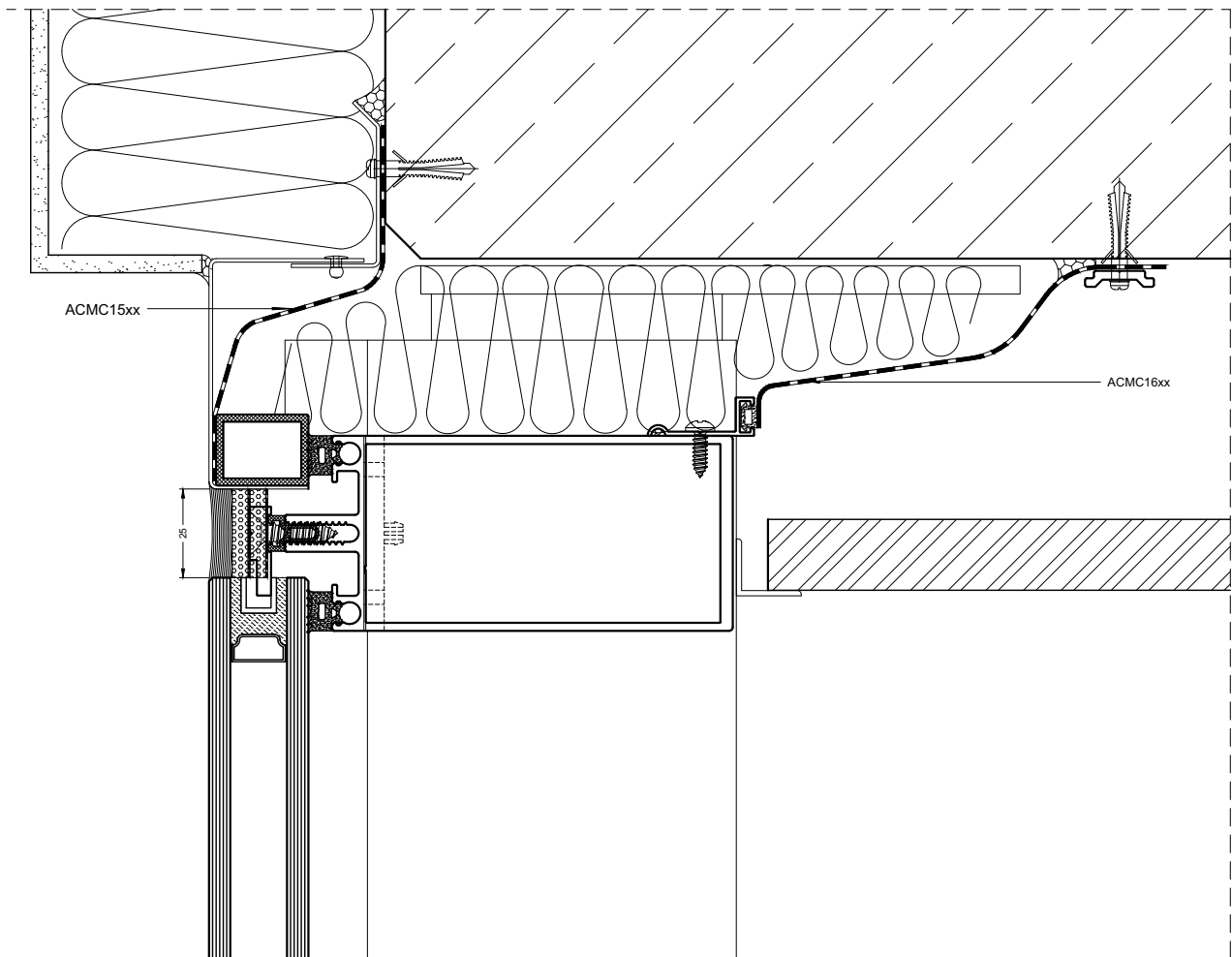
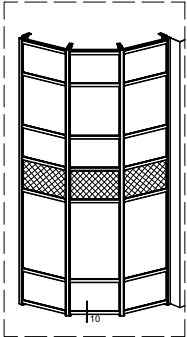
MCG\_6.4





# MC-WALL

10

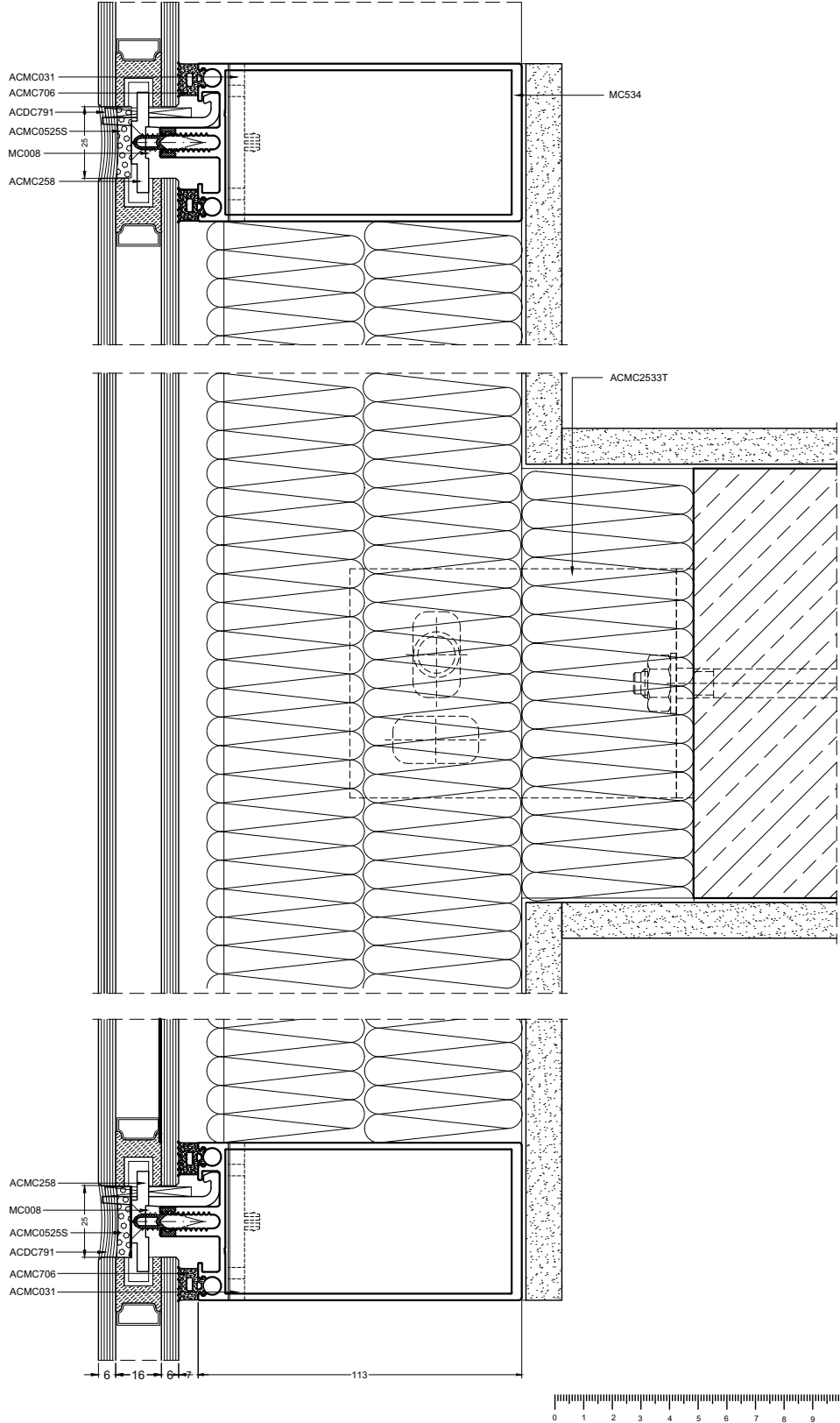
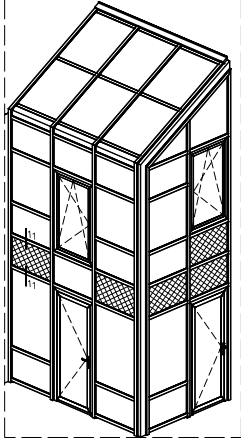


MCG\_10

260

18/1/18

## 11.1

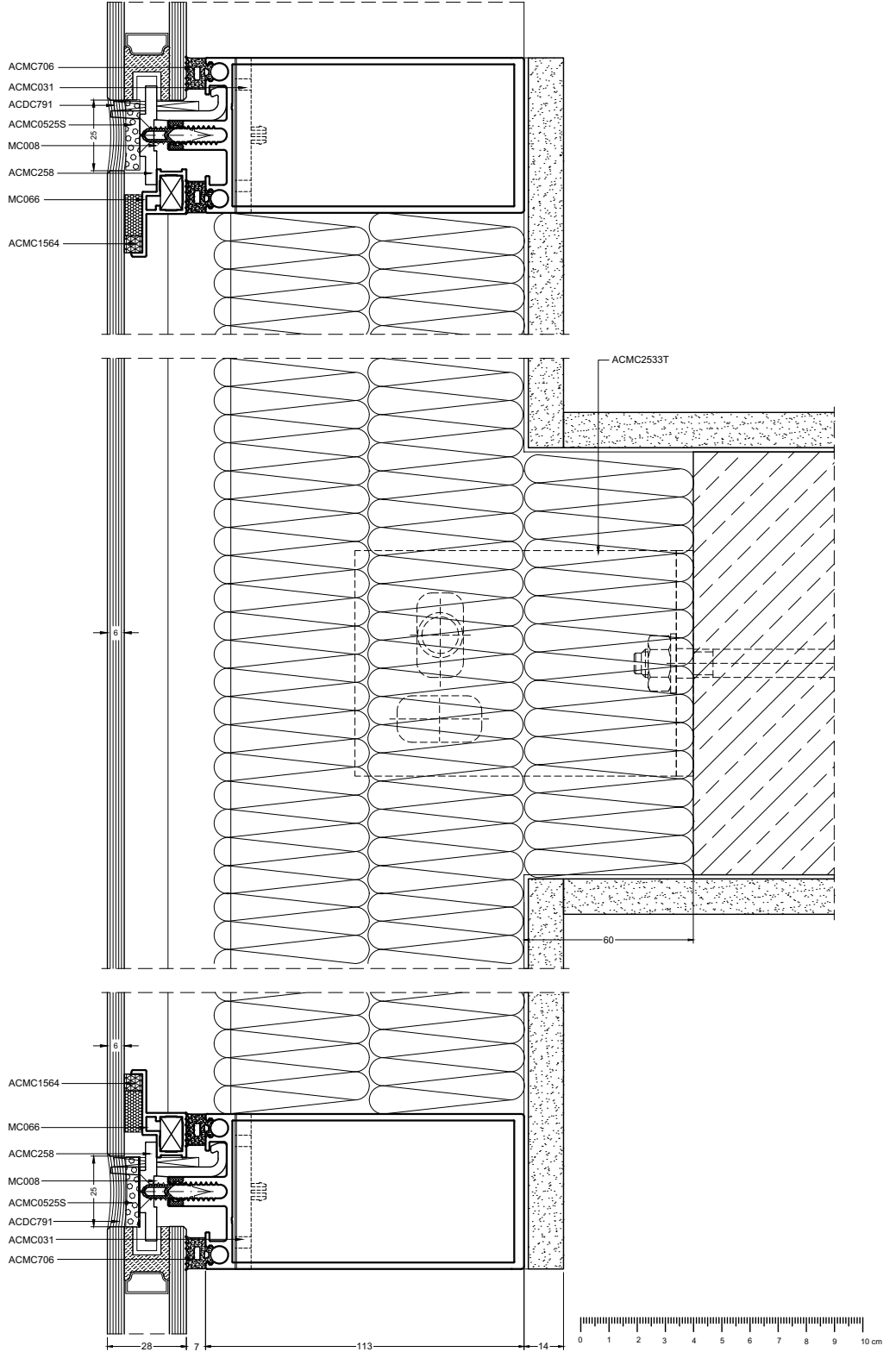
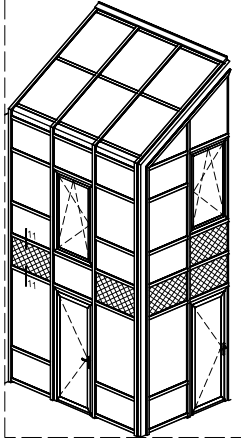


DOORSNEDETEKENINGEN - SECTION DE NOEUDS - PROFILKOMBINATIONEN - SECTION DRAWINGS

MCG\_11.1

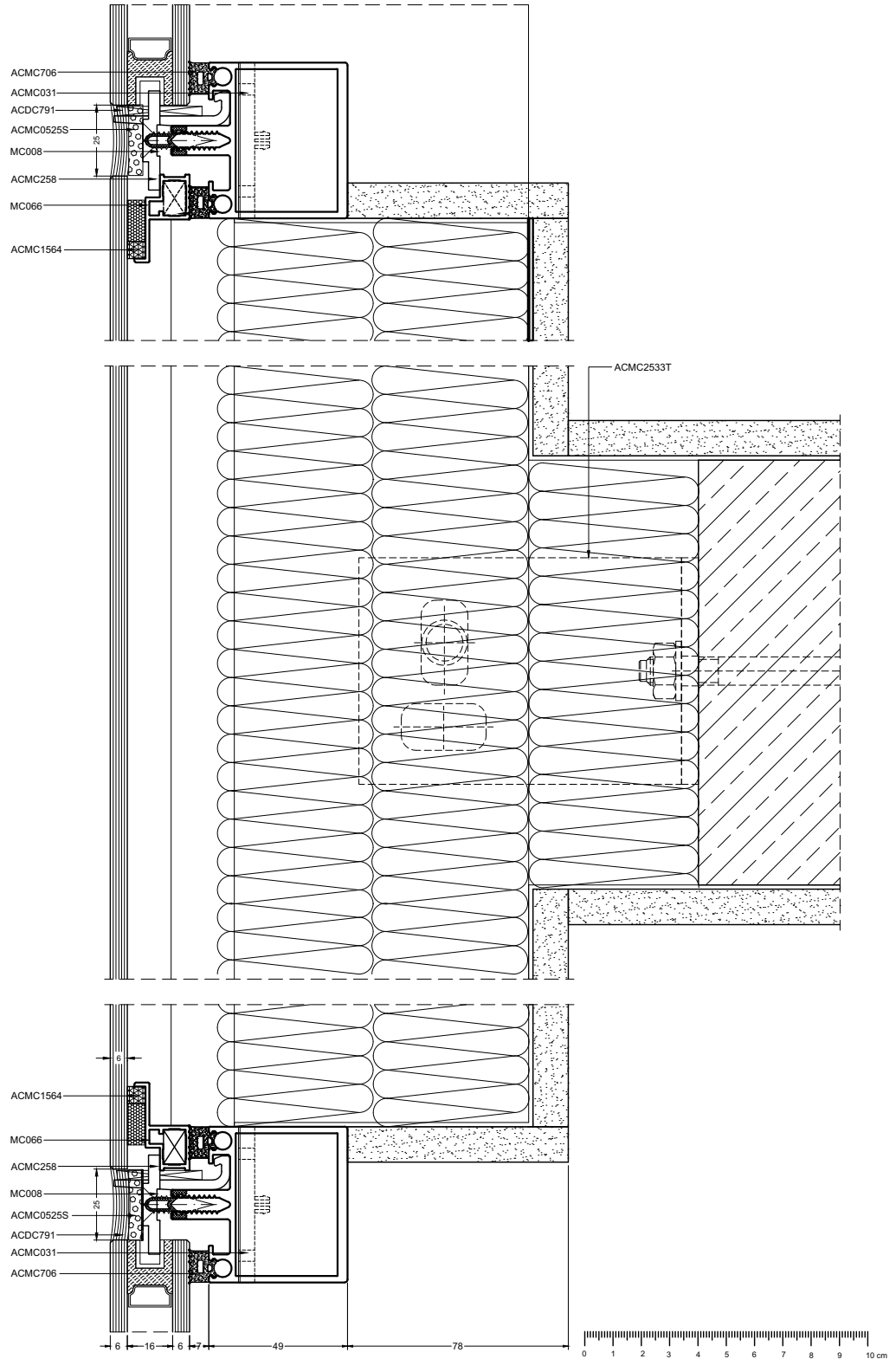
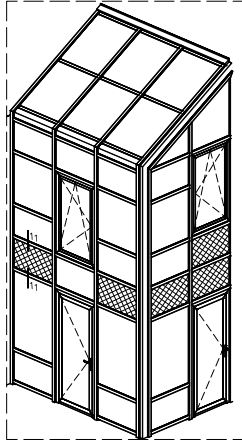
# MC-WALL

## 11.2



MCG\_11.2

## 11.3

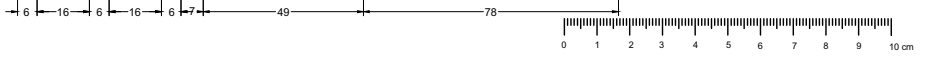
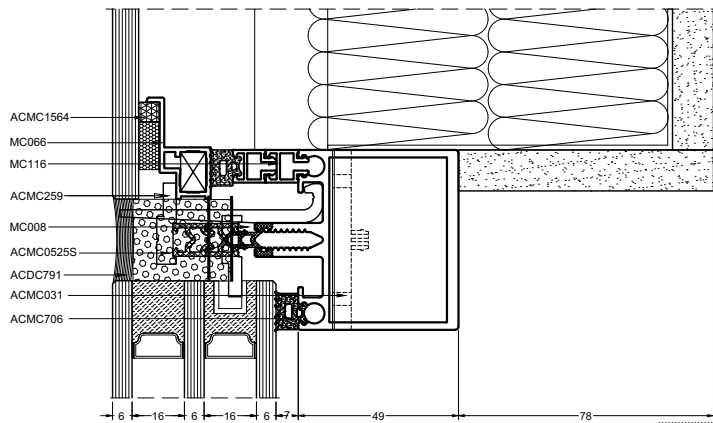
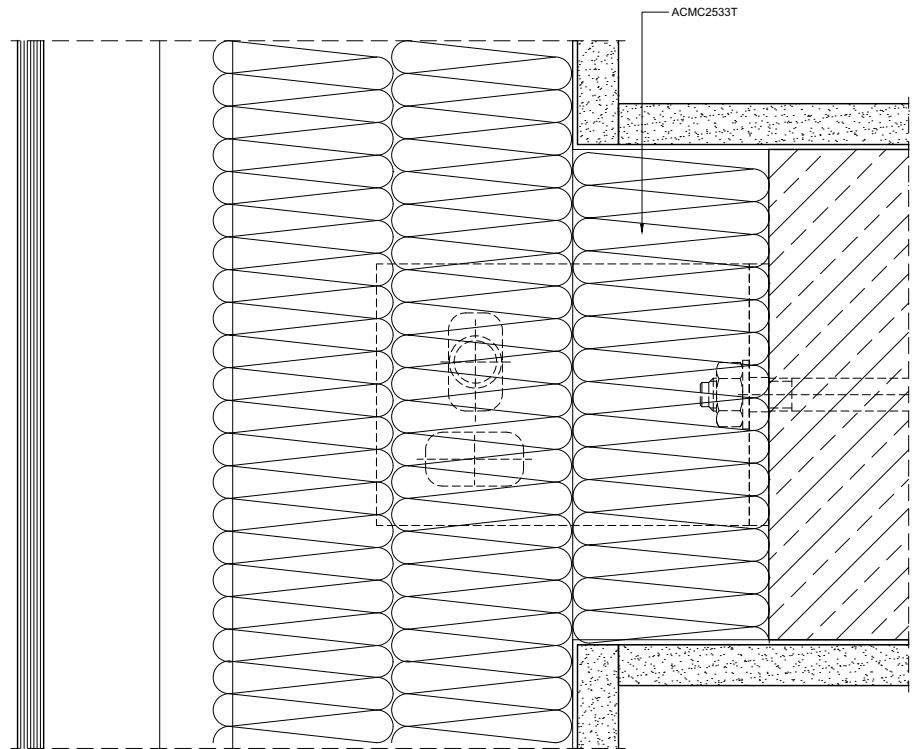
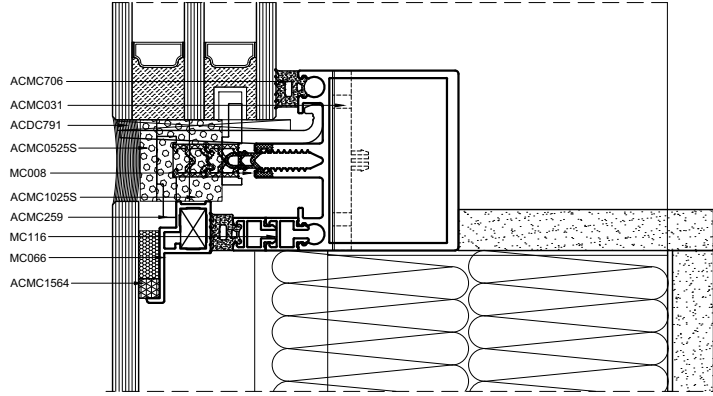
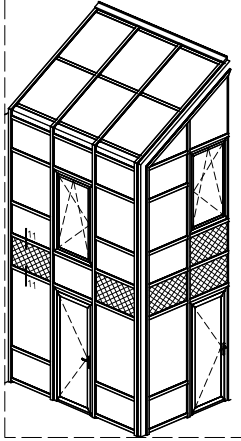


DOORSNEDETEKENINGEN - SECTION DE NOEUDS - PROFILKOMBINATIONEN - SECTION DRAWINGS

MCG\_11.3

# MC-WALL

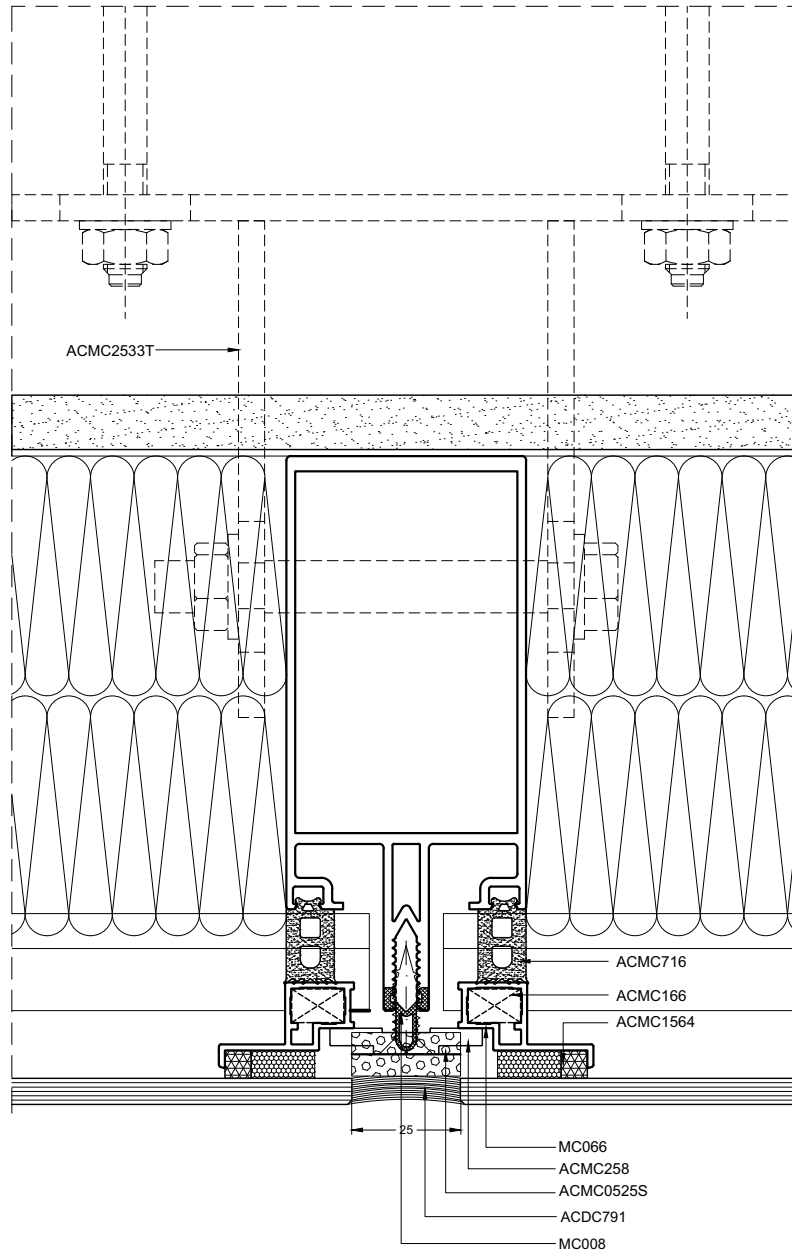
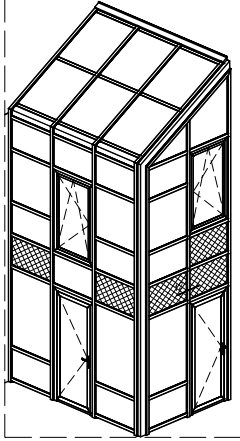
## 11.4



MCG\_11.4



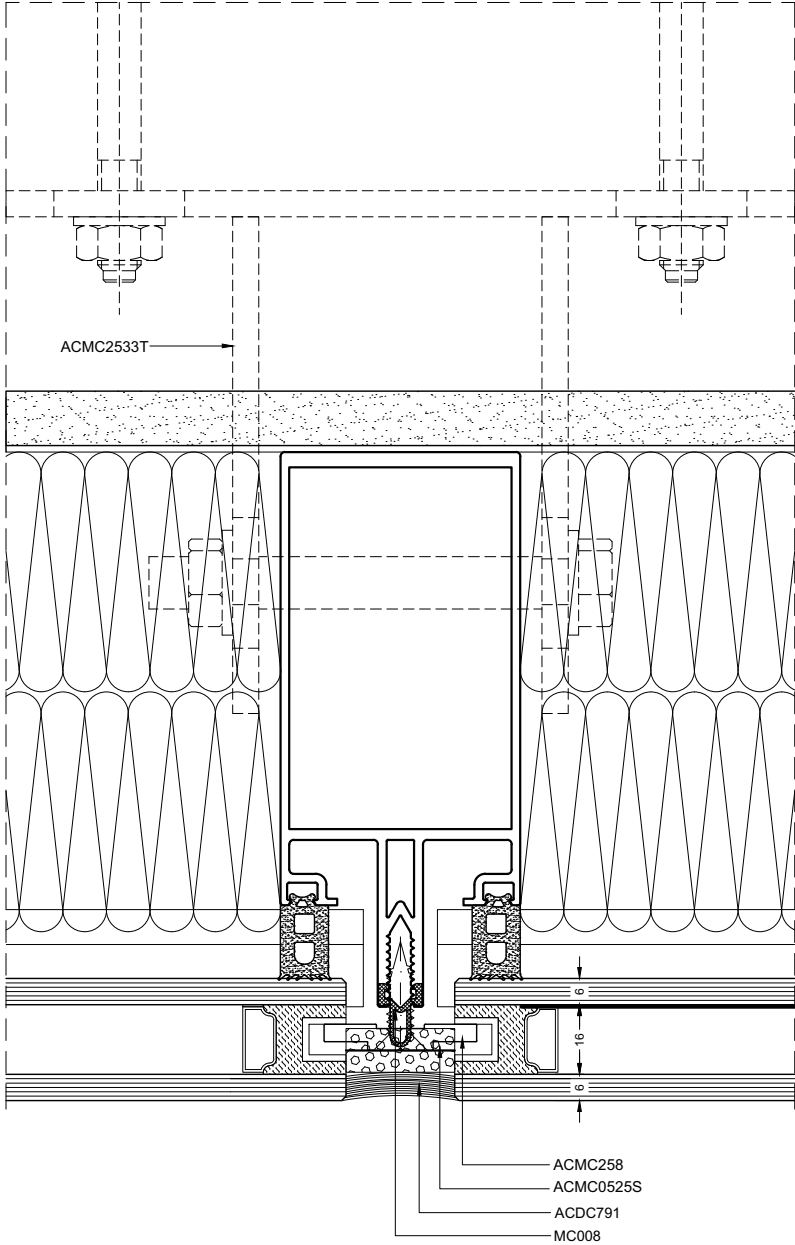
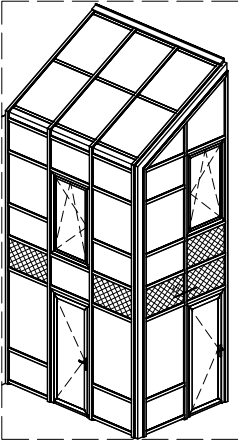
## 12.1



MCG\_12.1

# MC-WALL

## 12.2

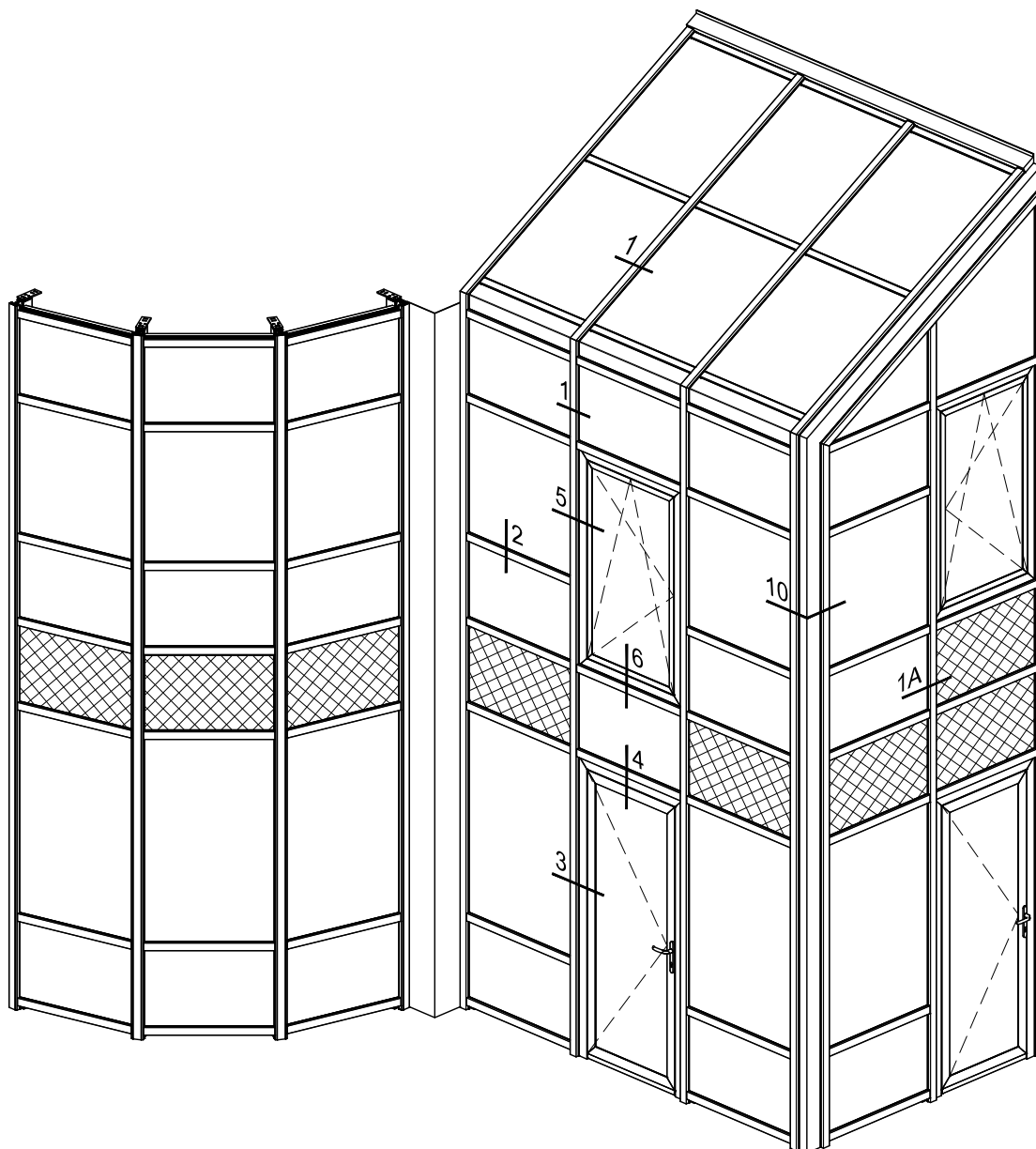


MCG\_12.2



# MC-WALL

## MC PASSIVE

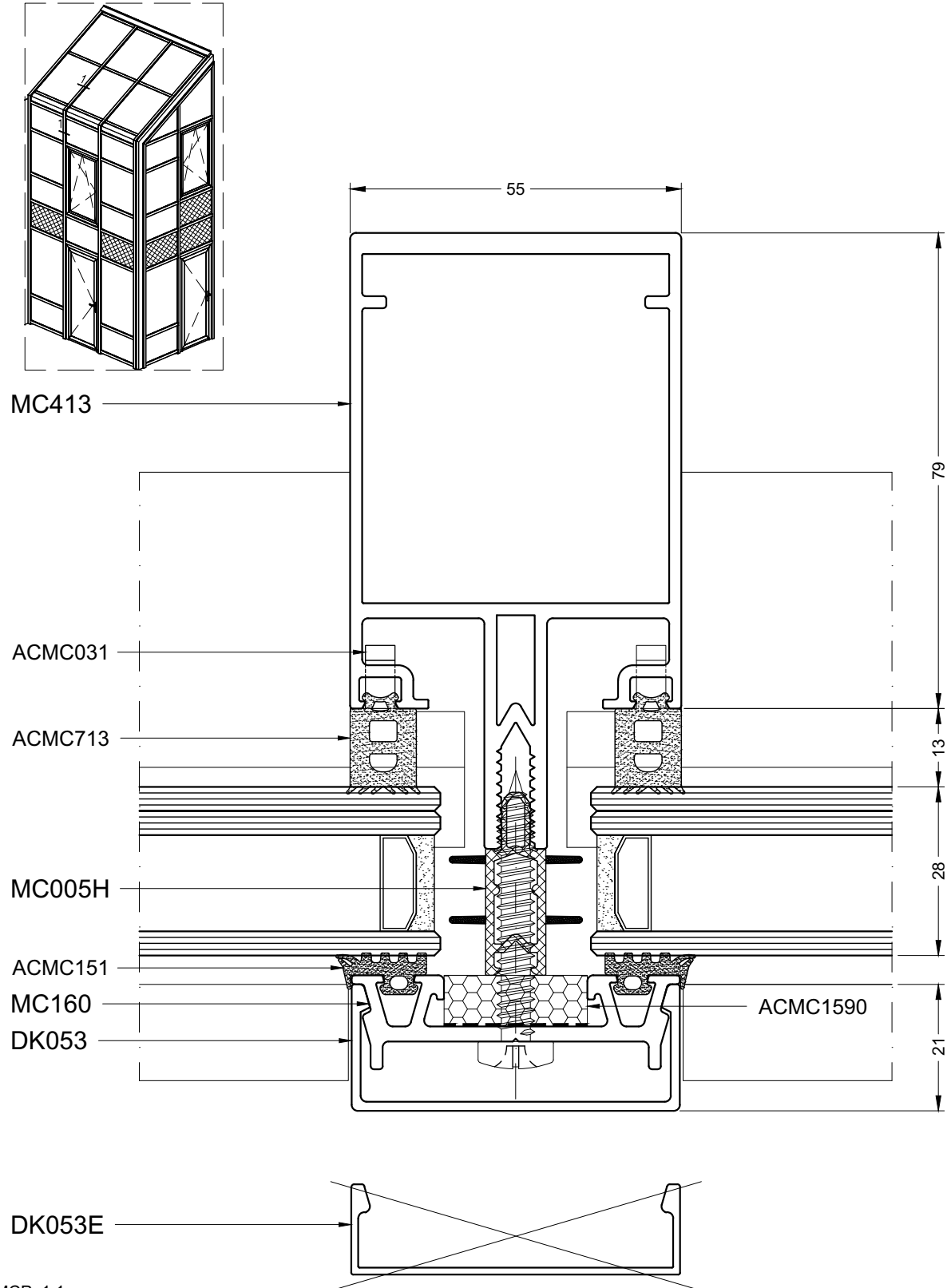


MCP

268

18/1/18

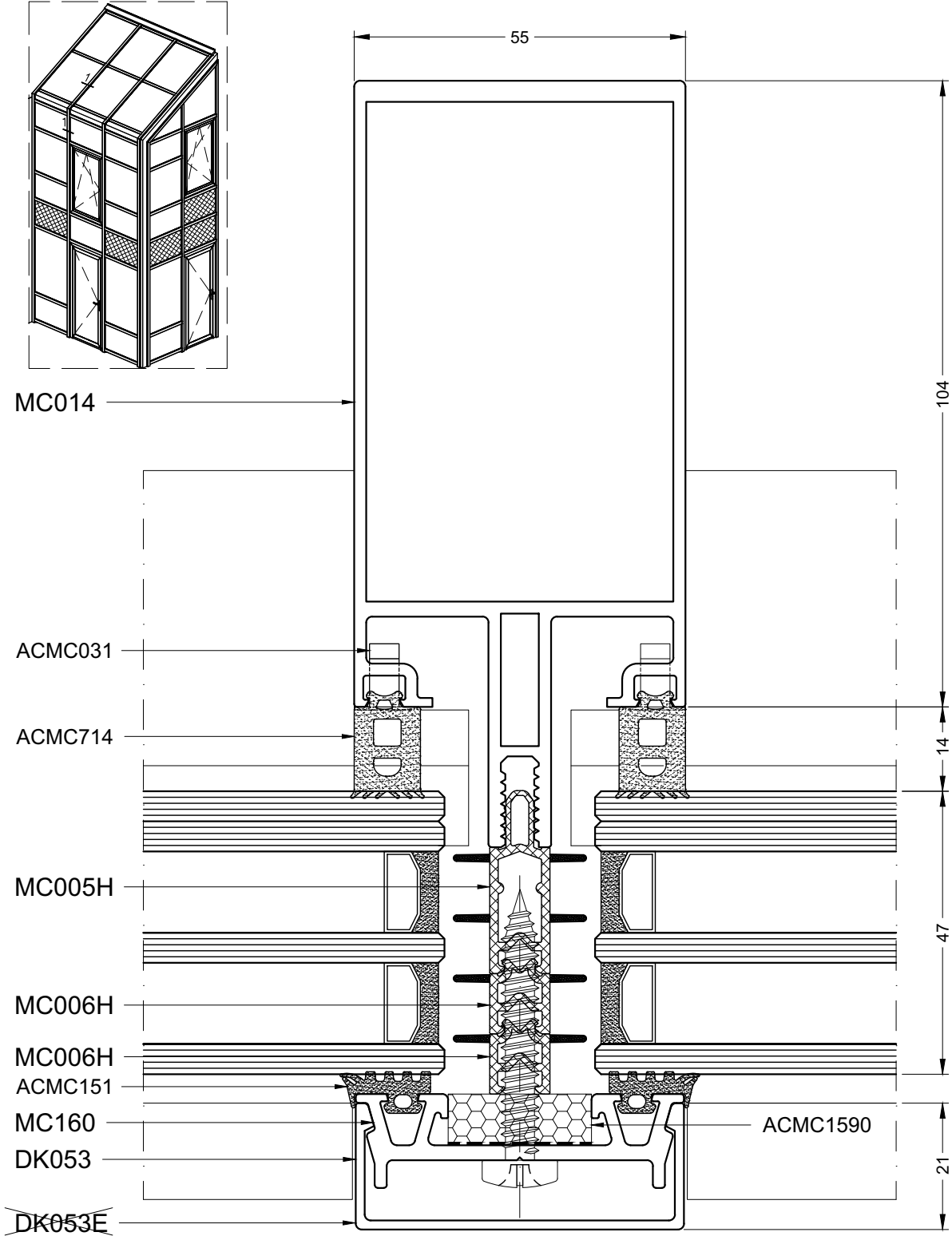
## 1.1



MCP\_1.1

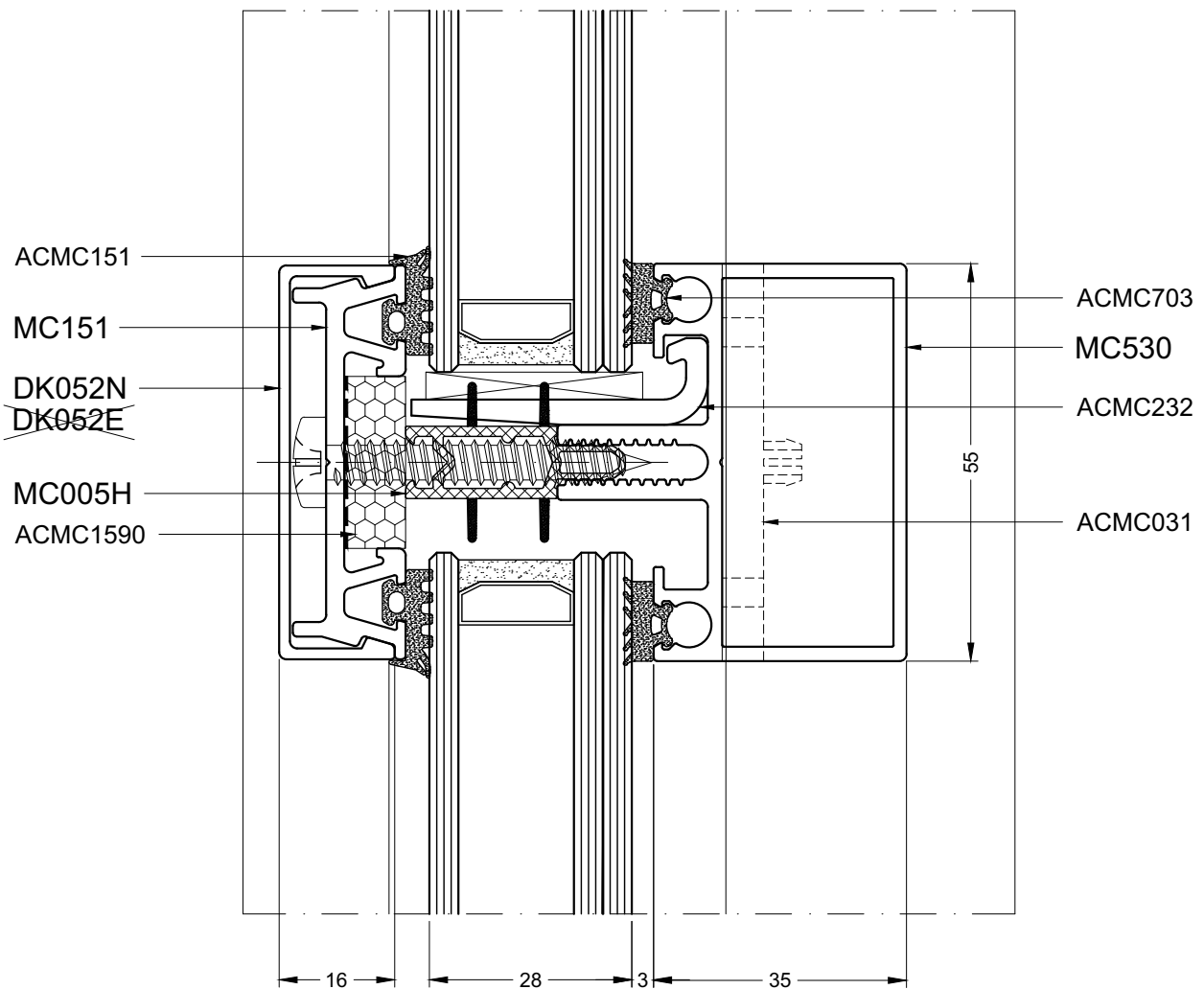
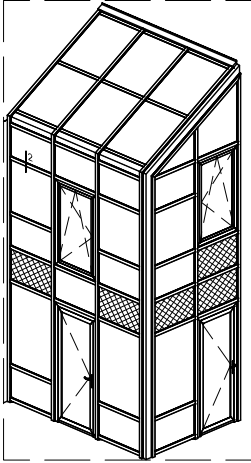
# MC-WALL

## 1.2



MCP\_1.2

## 2.1

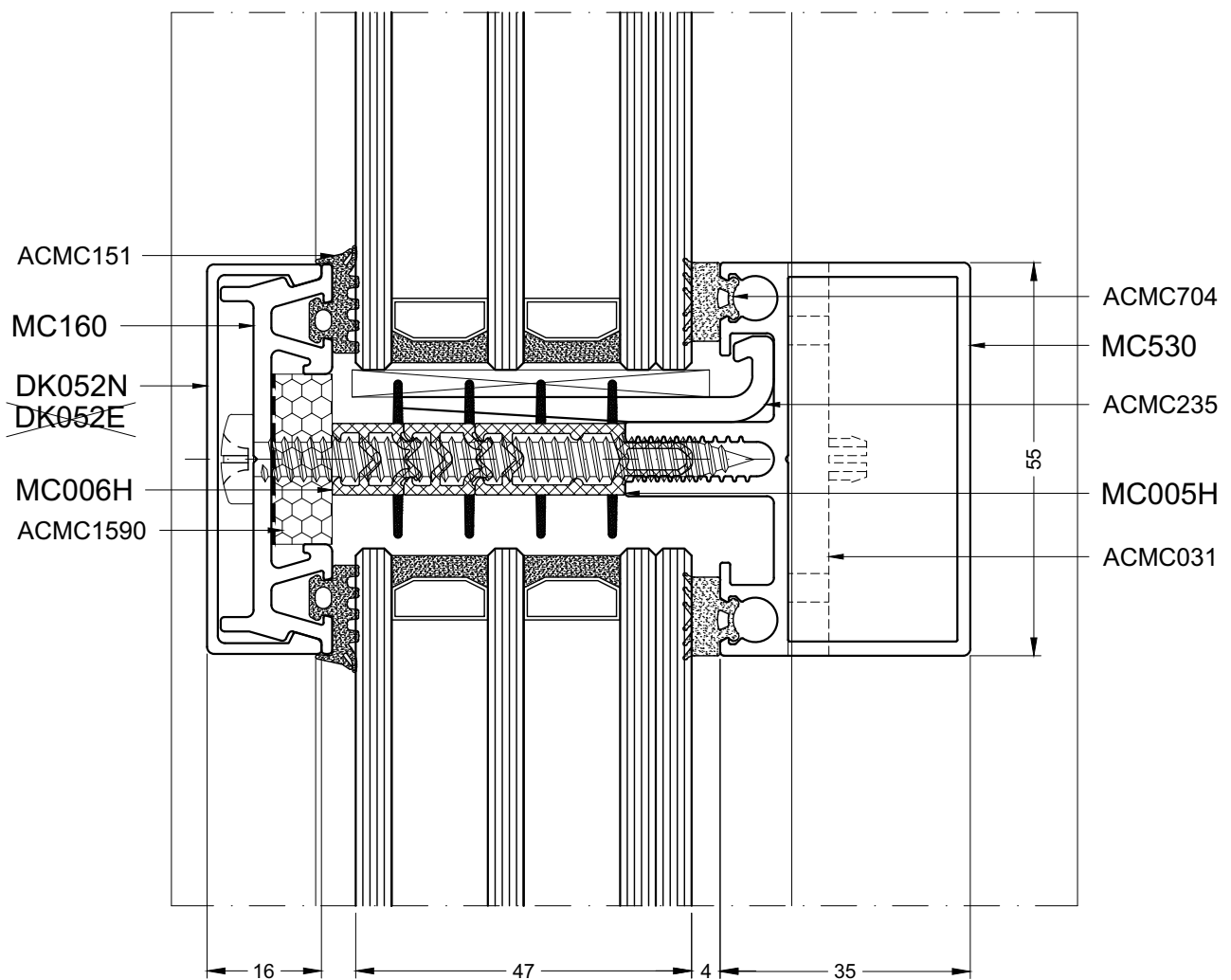
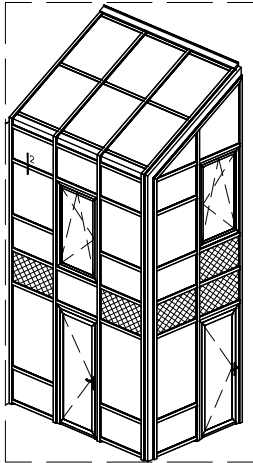


DOORSNEDETEKENINGEN - SECTION DE NOEUDS - PROFILKOMBINATIONEN - SECTION DRAWINGS

MCP\_2.1

# MC-WALL

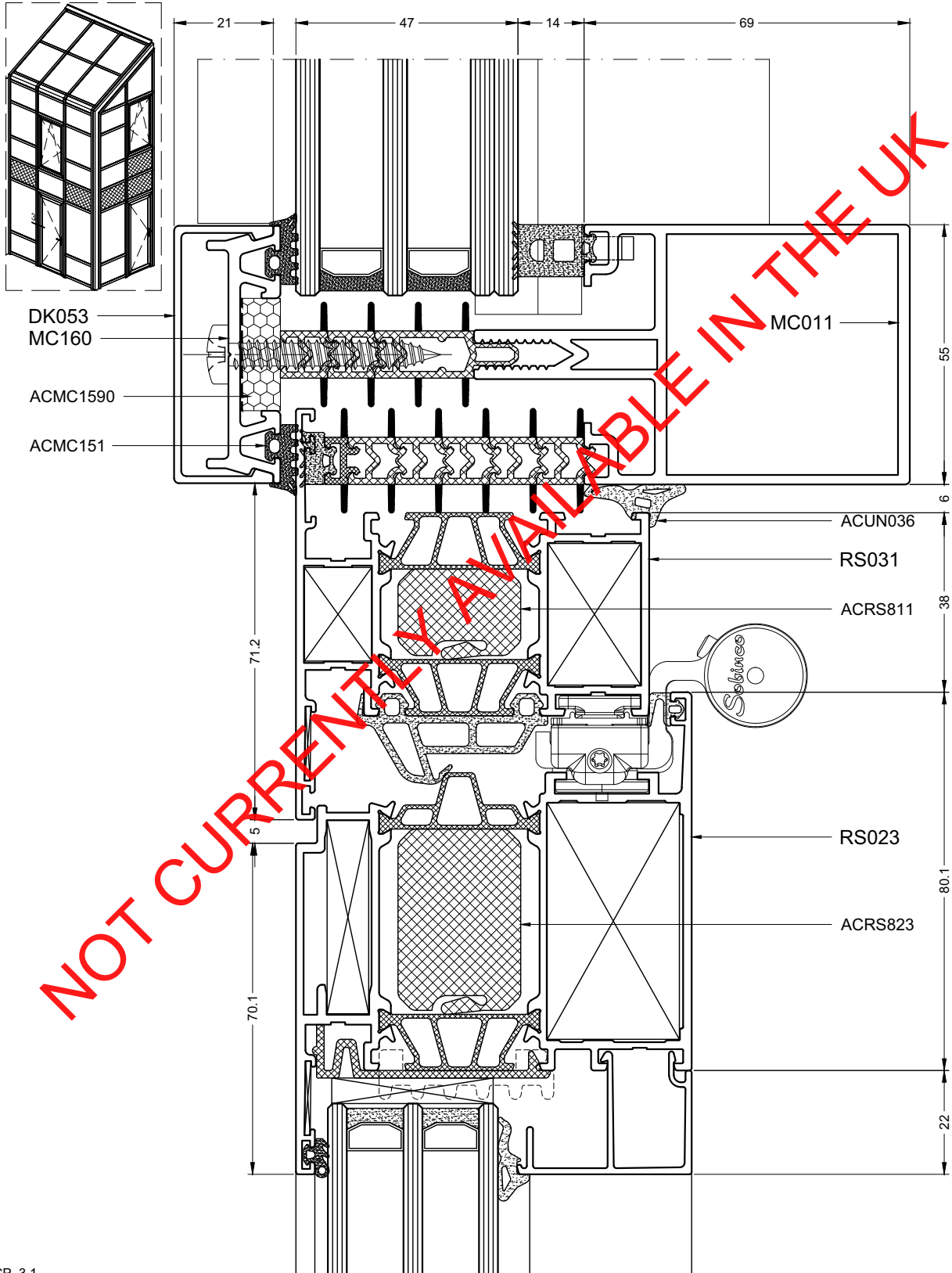
## 2.2



MCP\_2.2



## 3.1

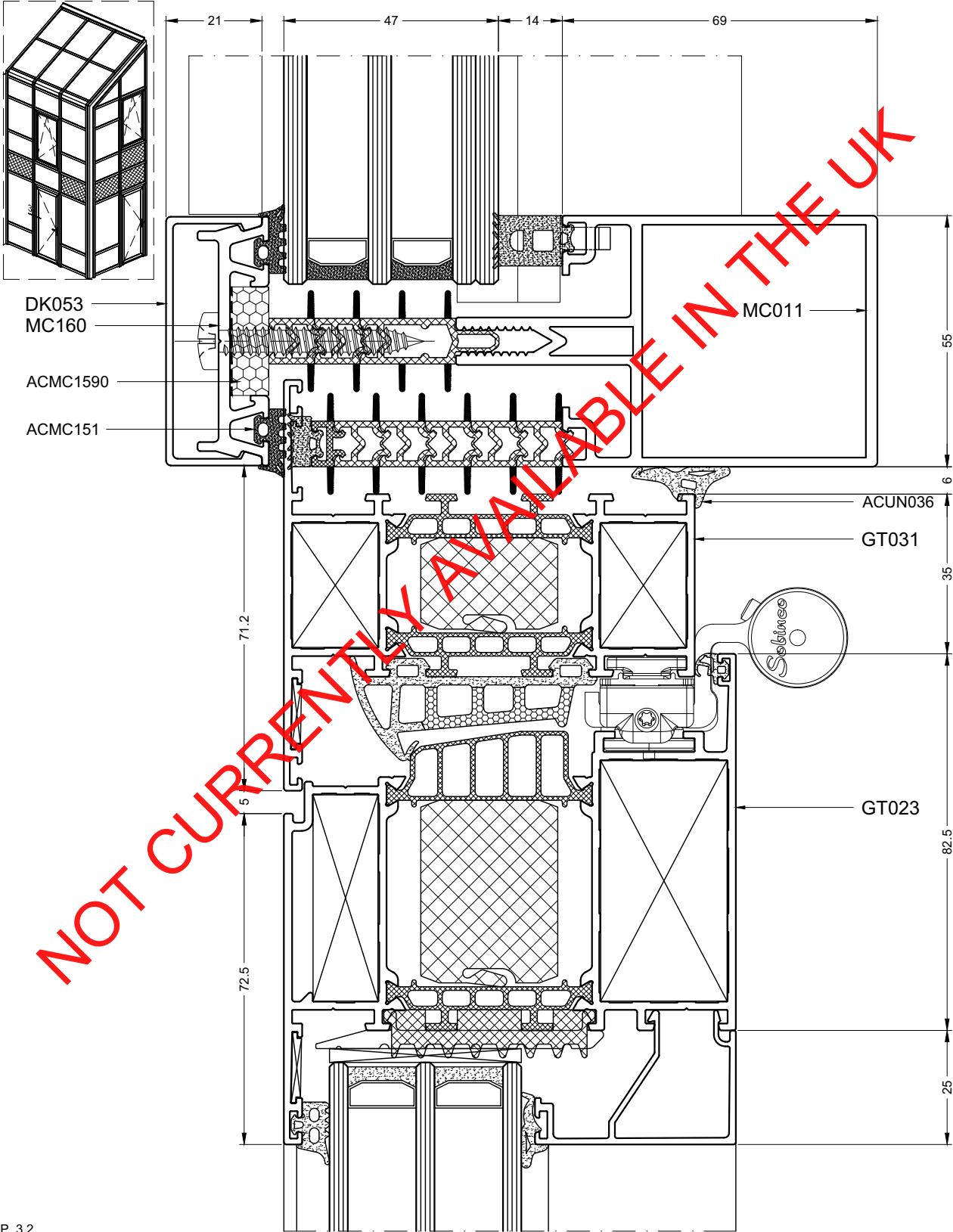


DOORSNEDETEKENINGEN - SECTION DE NOEUDS - PROFILKOMBINATIONEN - SECTION DRAWINGS

MCP\_3.1

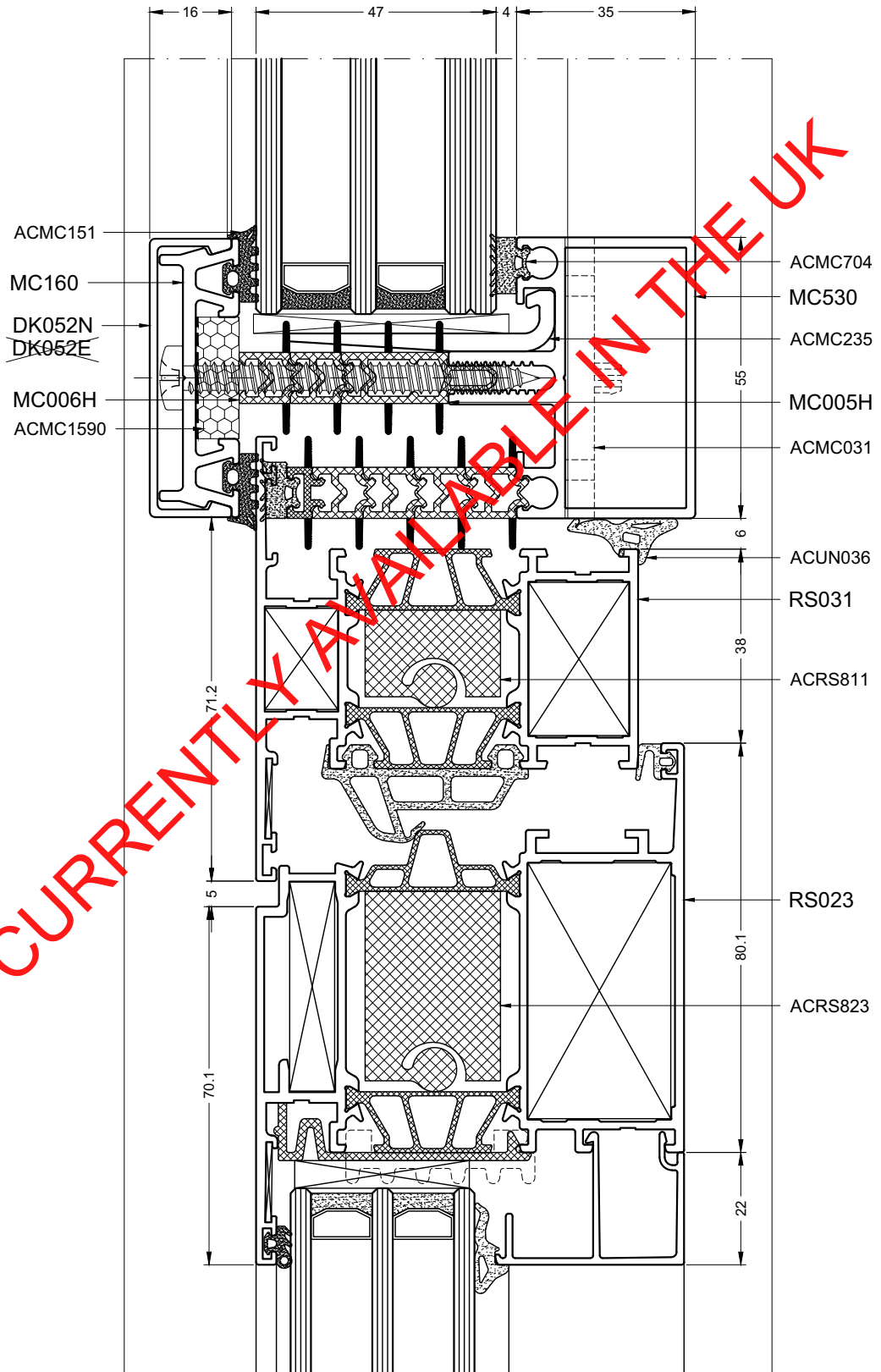
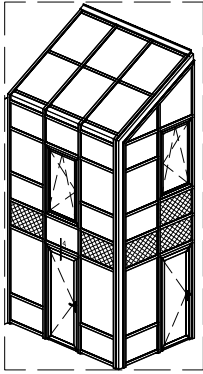
# MC-WALL

## 3.2



MCP\_3.2

## 4.1



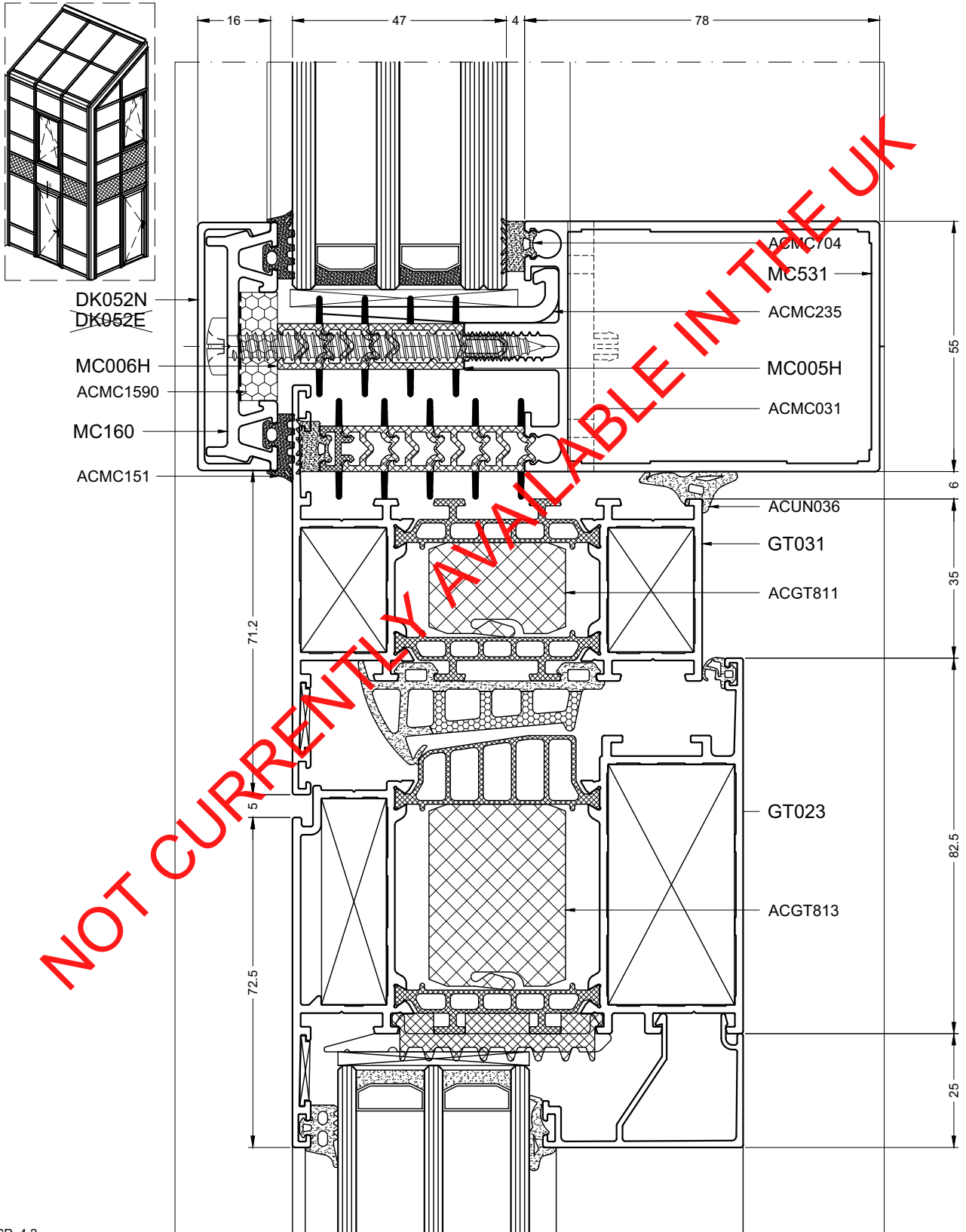
NOT CURRENTLY AVAILABLE IN THE UK

DOORSNEDETEKENINGEN - SECTION DE NOEUDS - PROFILKOMBINATIONEN - SECTION DRAWINGS

MCP\_4.1

# MC-WALL

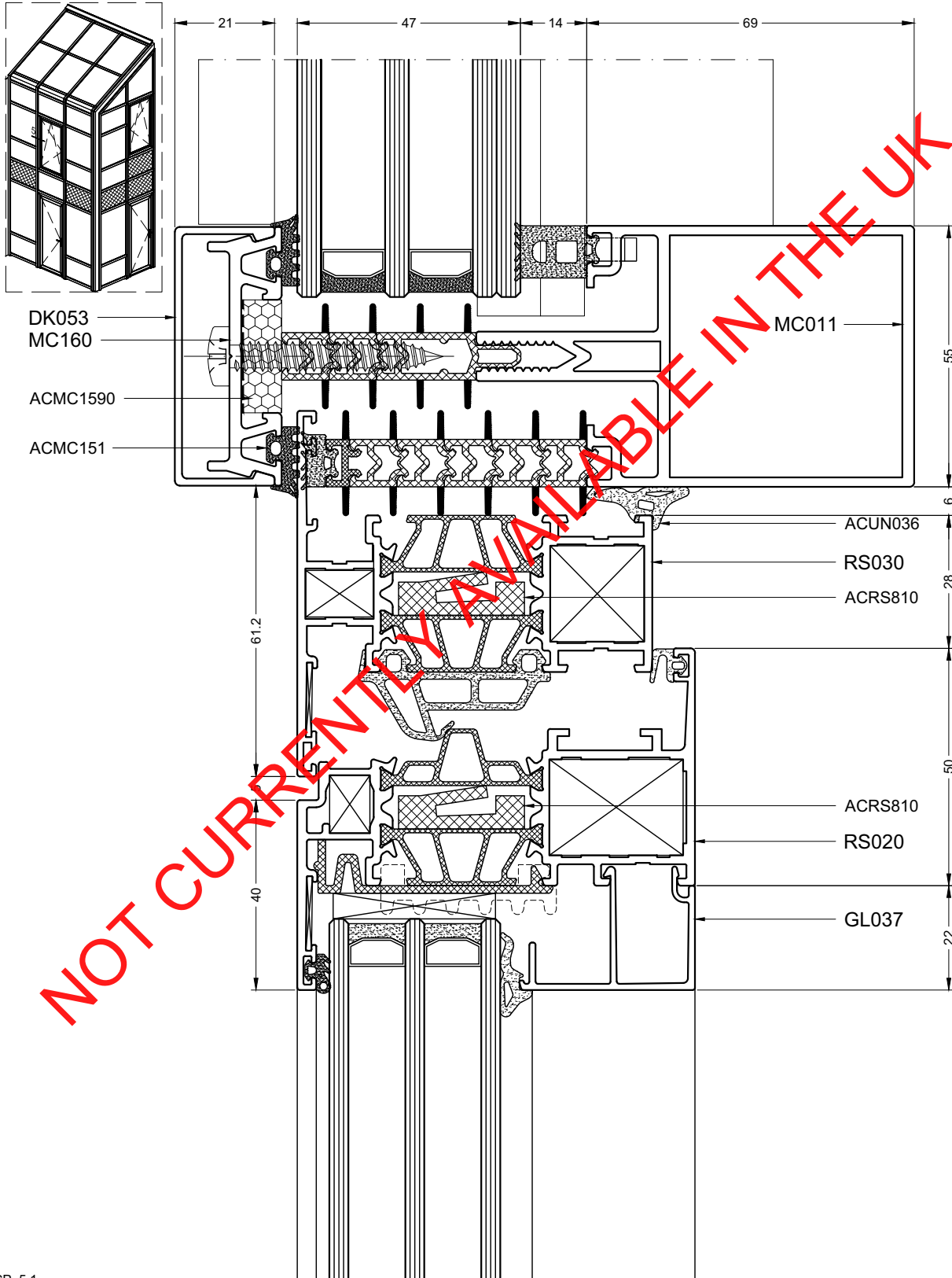
## 4.2



NOT CURRENTLY AVAILABLE IN THE UK

MCP\_4.2

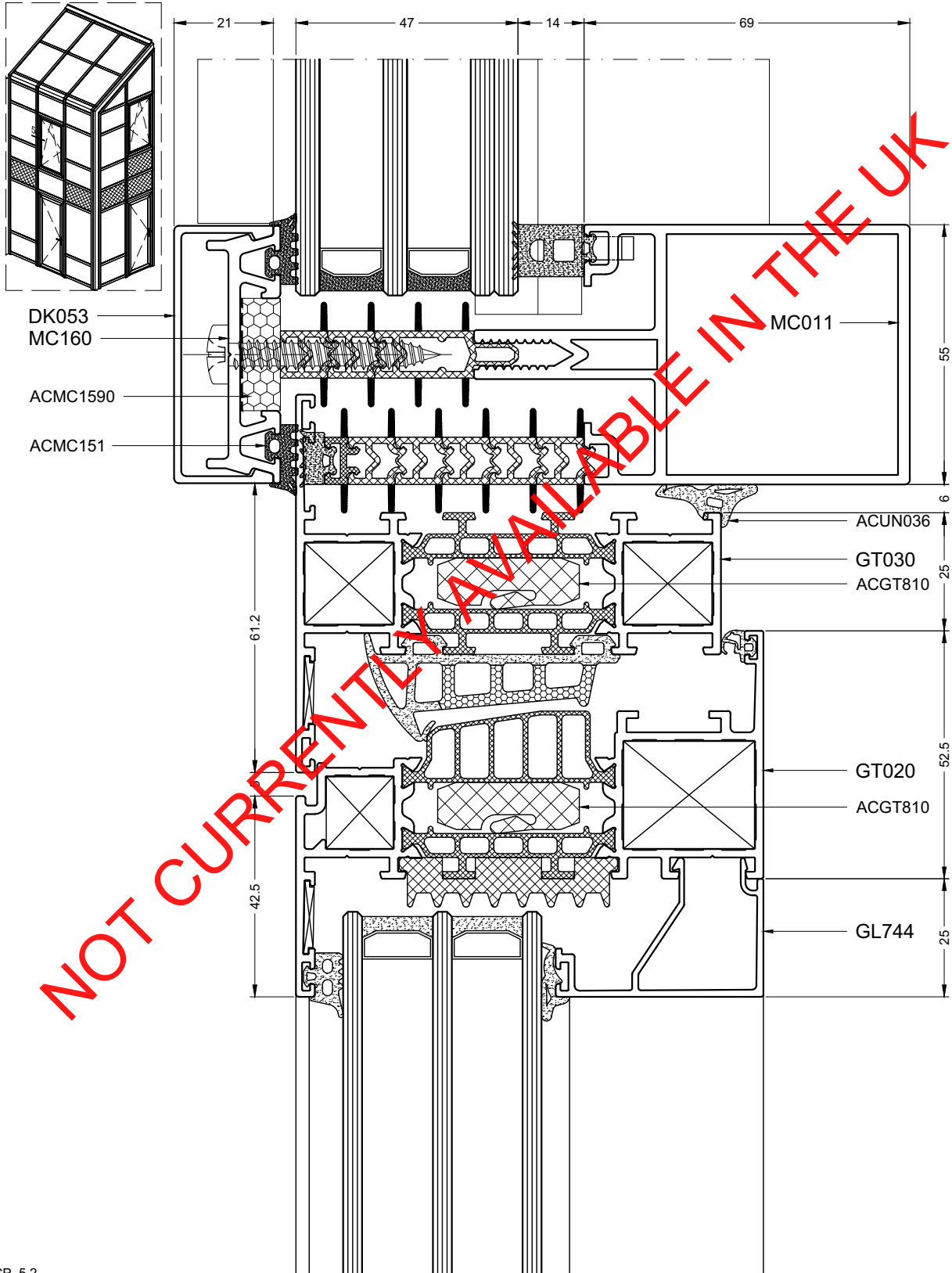
## 5.1



MCP\_5.1

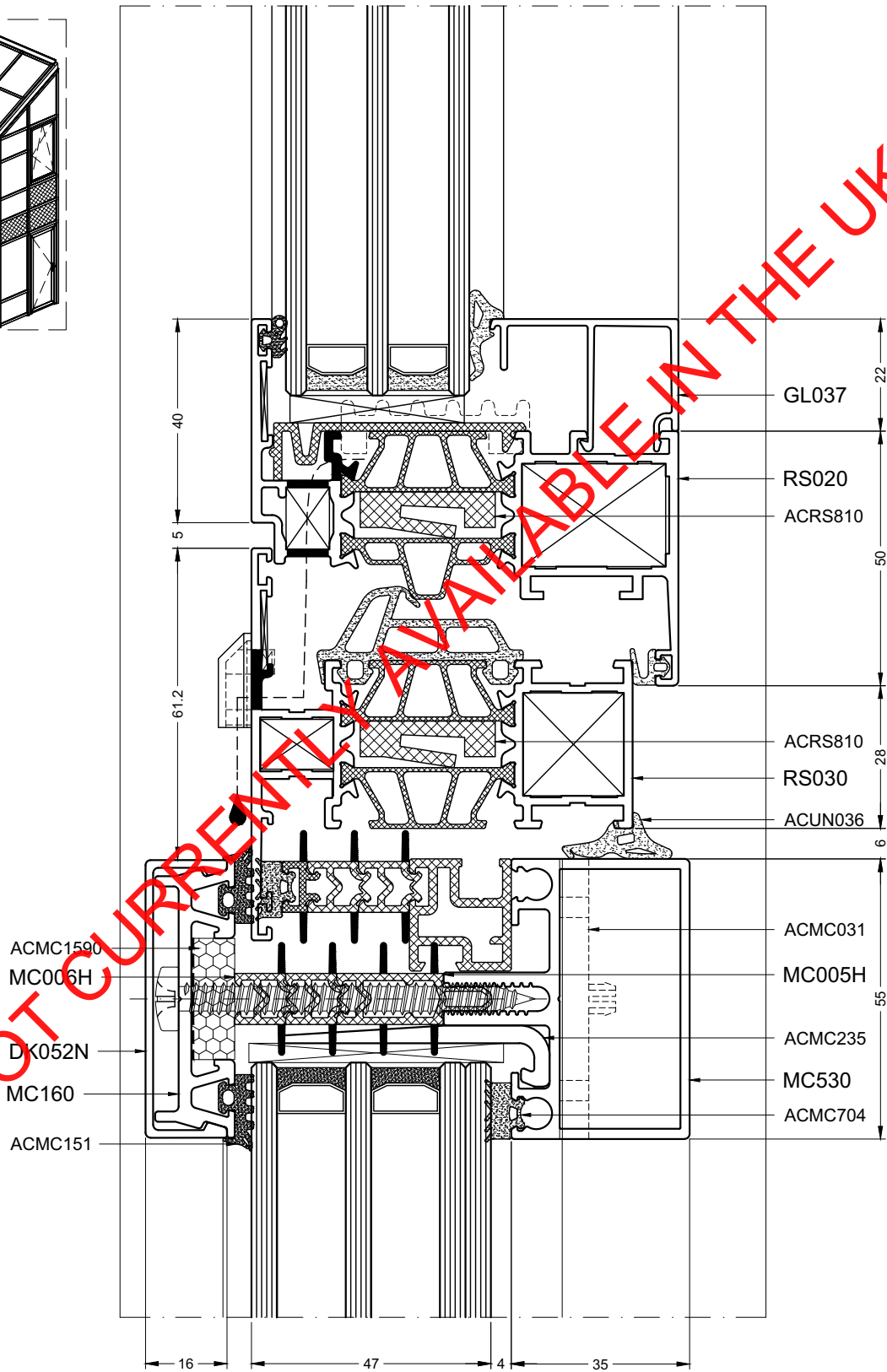
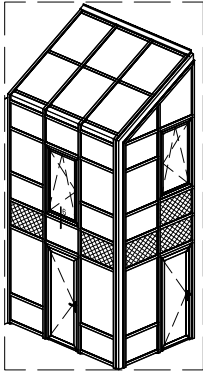
# MC-WALL

## 5.2



MCP\_5.2

## 6.1



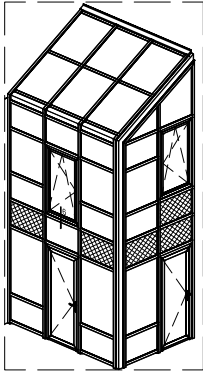
NOT CURRENTLY AVAILABLE IN THE UK

DOORSNEDETEKENINGEN - SECTION DE NOEUDS - PROFILKOMBINATIONEN - SECTION DRAWINGS

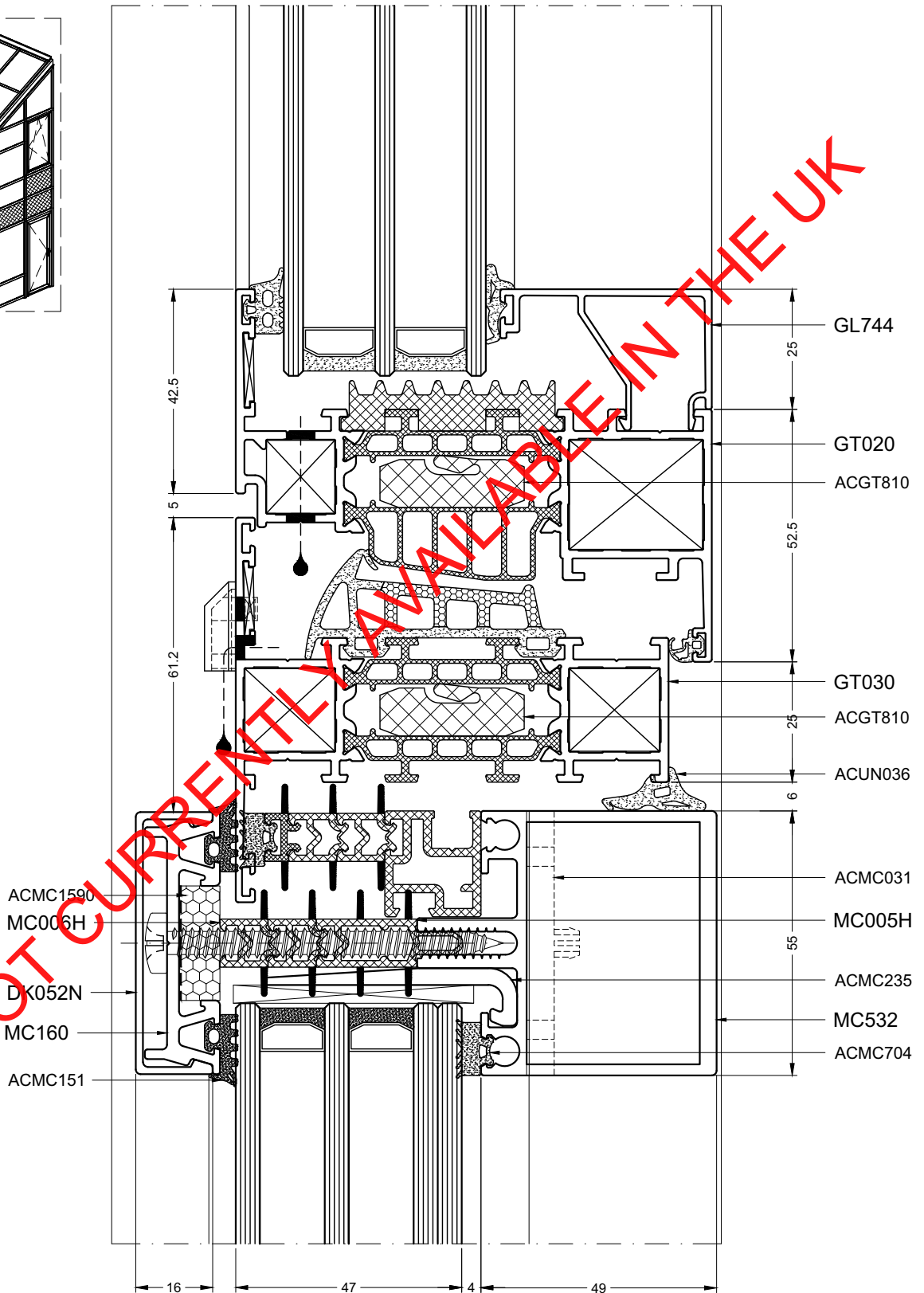
MCP\_6.1

# MC-WALL

## 6.2

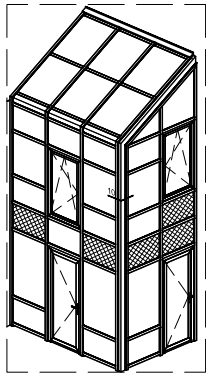


NOT CURRENTLY AVAILABLE IN THE UK

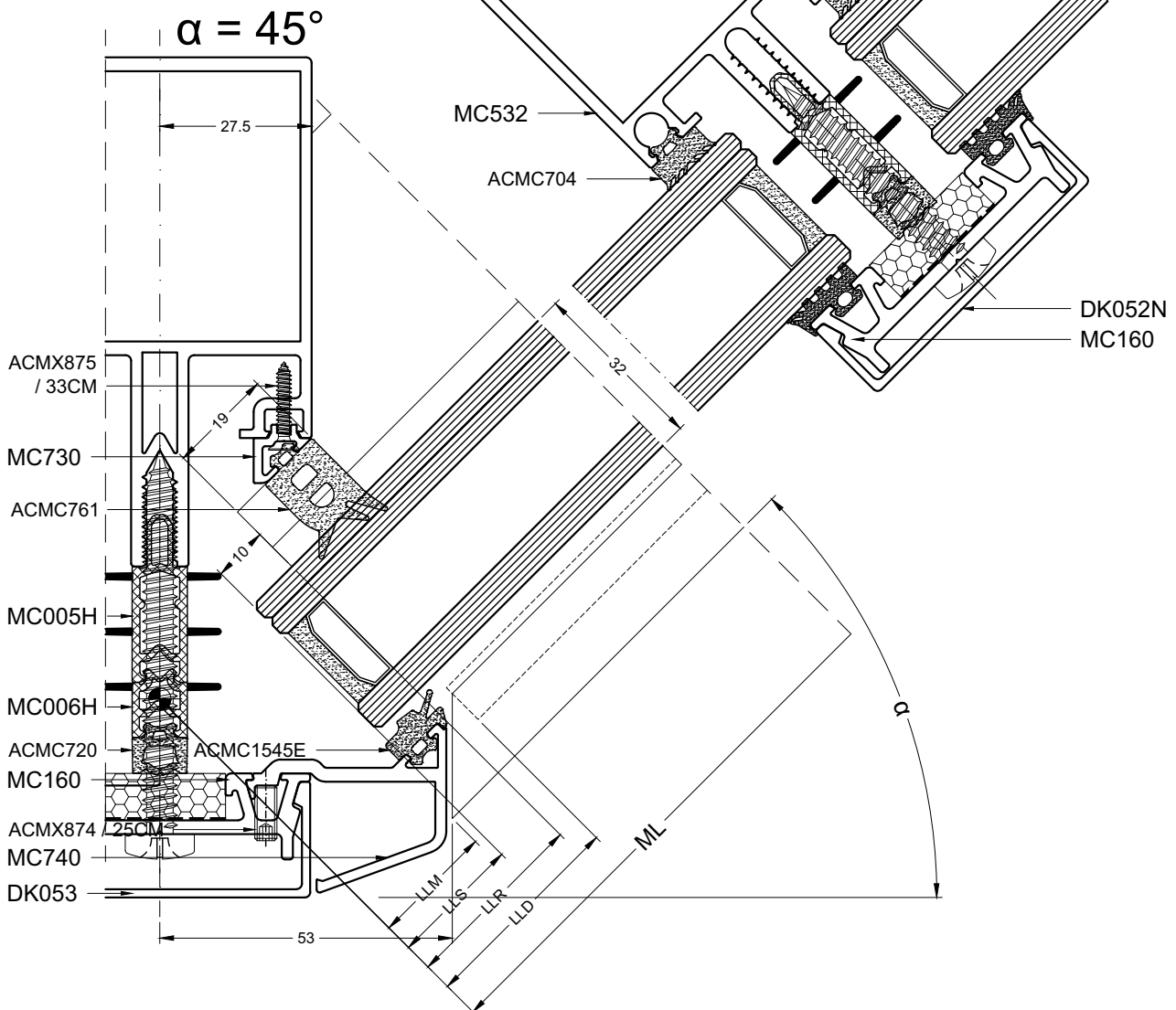
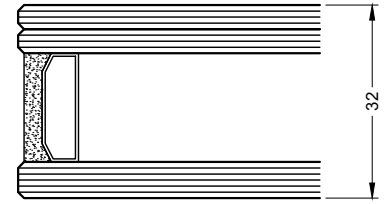


MCP\_6.2





$\alpha$  38° - 45°

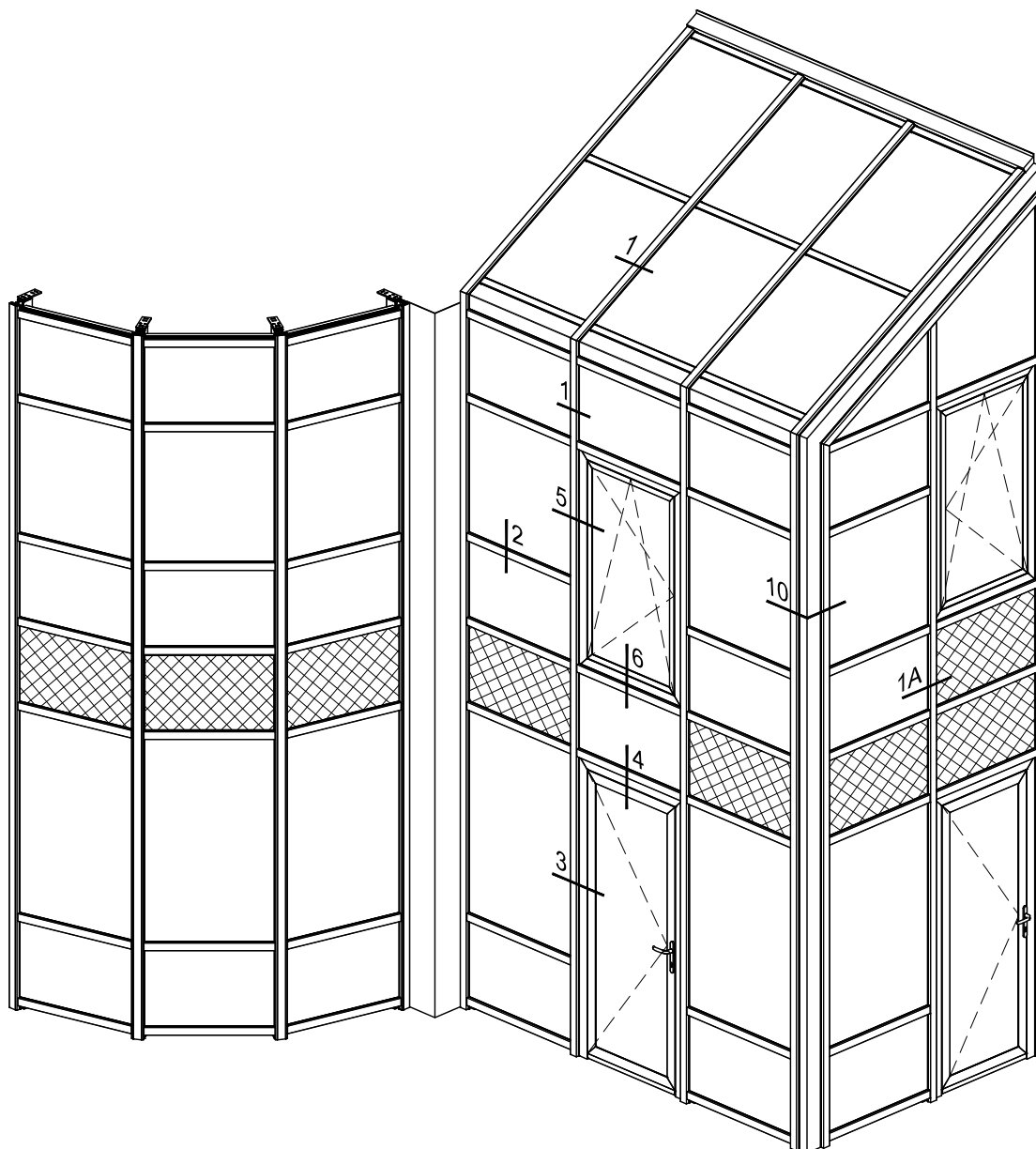


LLR	$((27.5 / \cos \alpha) - 19) + (14.5 \tan \alpha)$	LR = ML - LLR - RLR
LLS	$((27.5 / \cos \alpha) - 19) + (14.5 \tan \alpha)$	LS = ML - LLS - RLS
LLM	$((53 / \cos \alpha) - (52.8 \tan \alpha))$	LM = ML - LLM - RLM
LLD	LLM + (17.5 tan $\alpha$ )	LD = ML - LLD - RLD

MCP\_10

# MC-WALL

## MC PASSIVE +

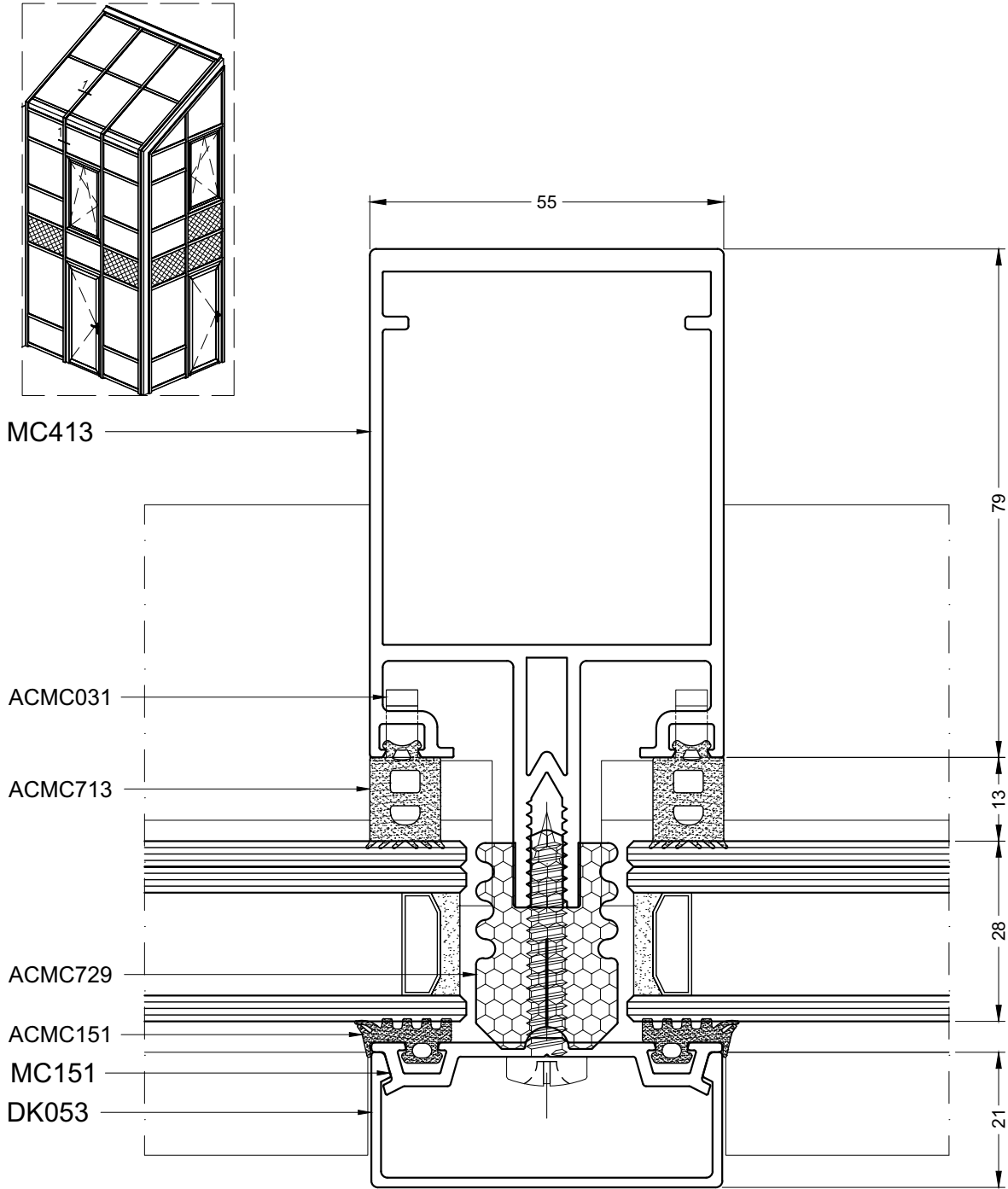


MCP+

282

18/1/18

## 1.1

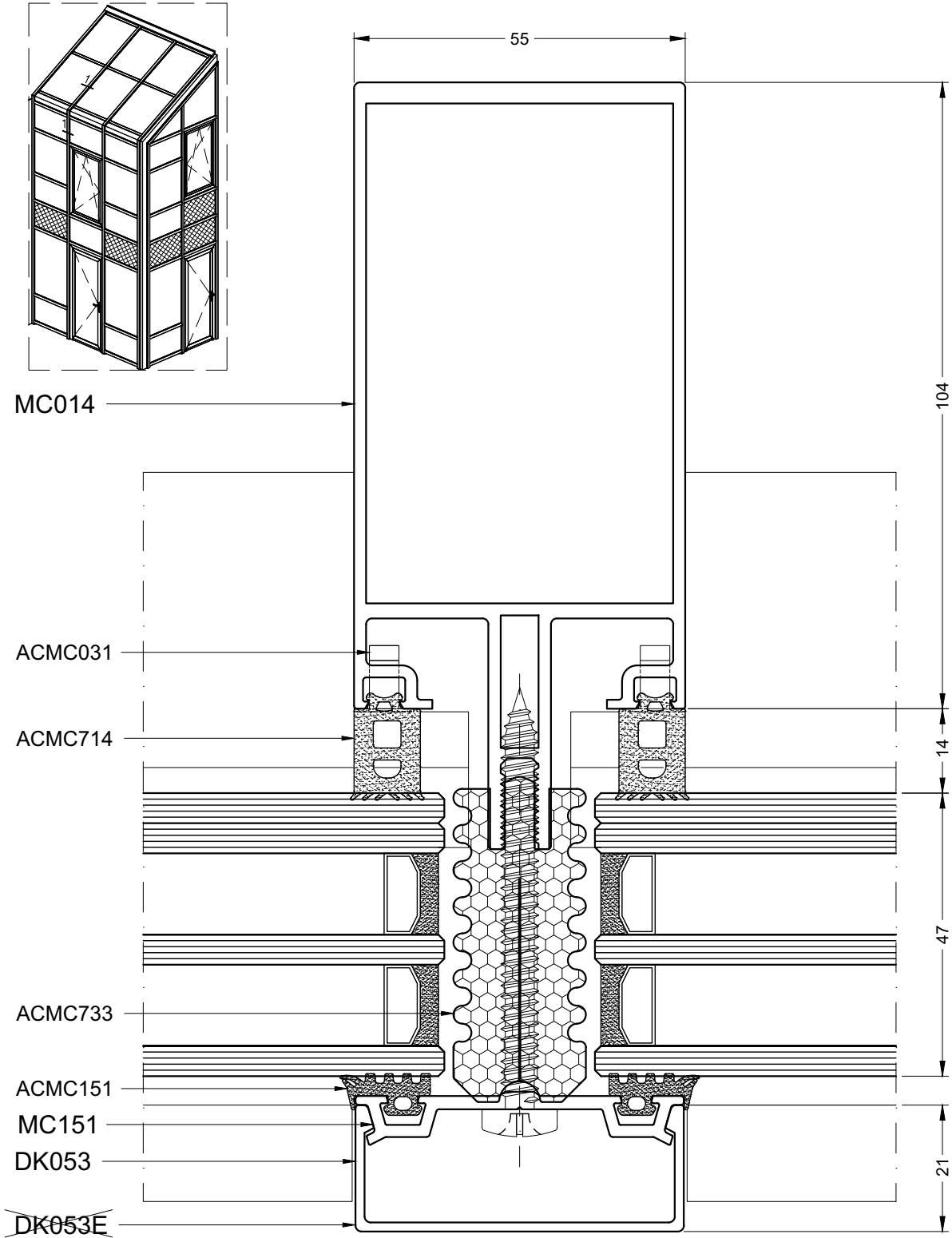


DOORSNEDETEKENINGEN - SECTION DE NOEUDS - PROFILKOMBINATIONEN - SECTION DRAWINGS

MCP+\_1.1

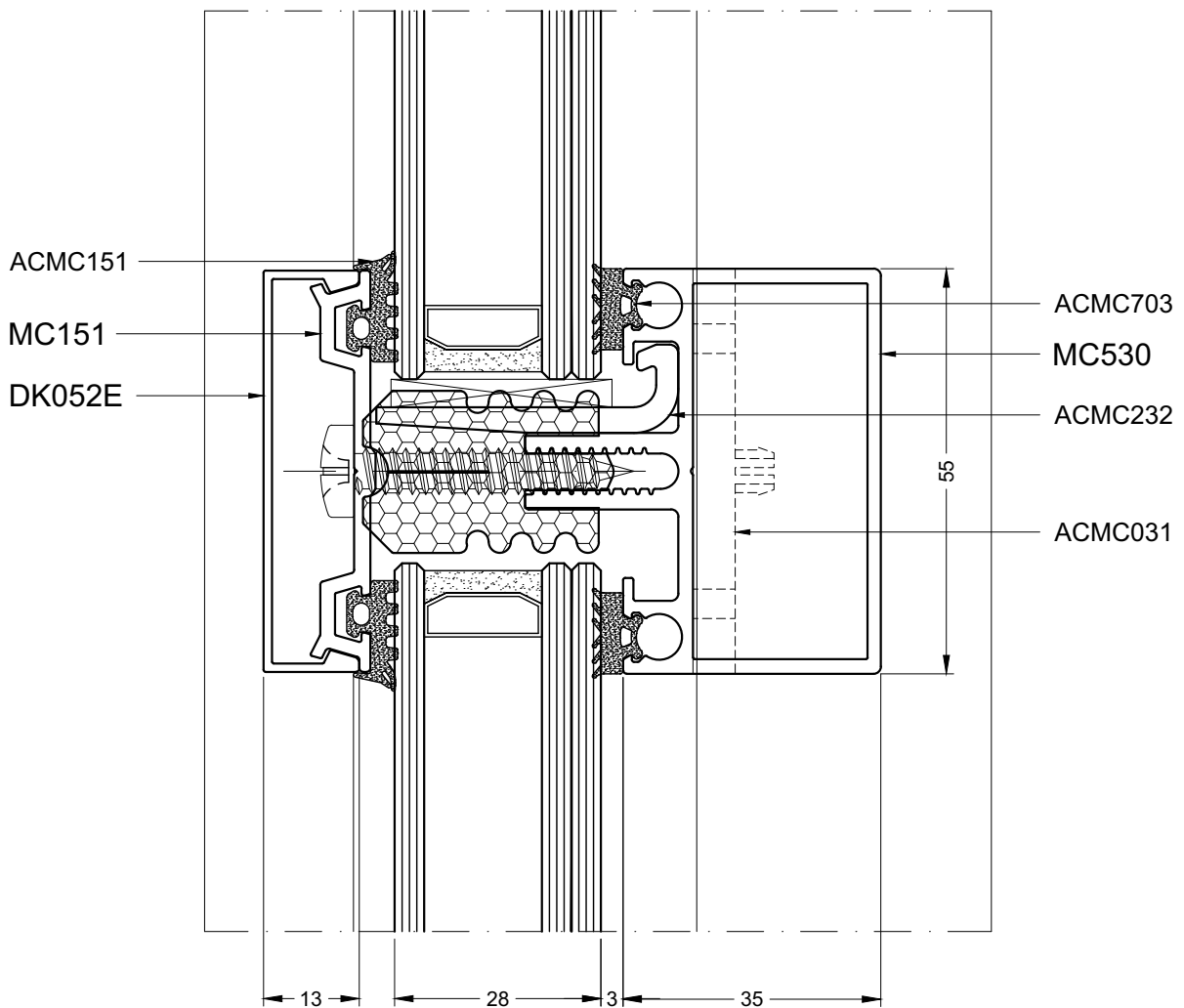
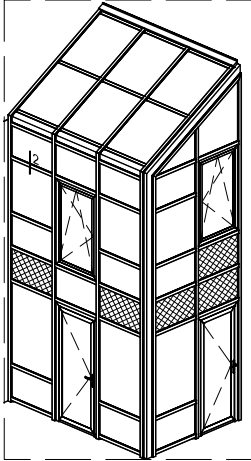
# MC-WALL

## 1.2



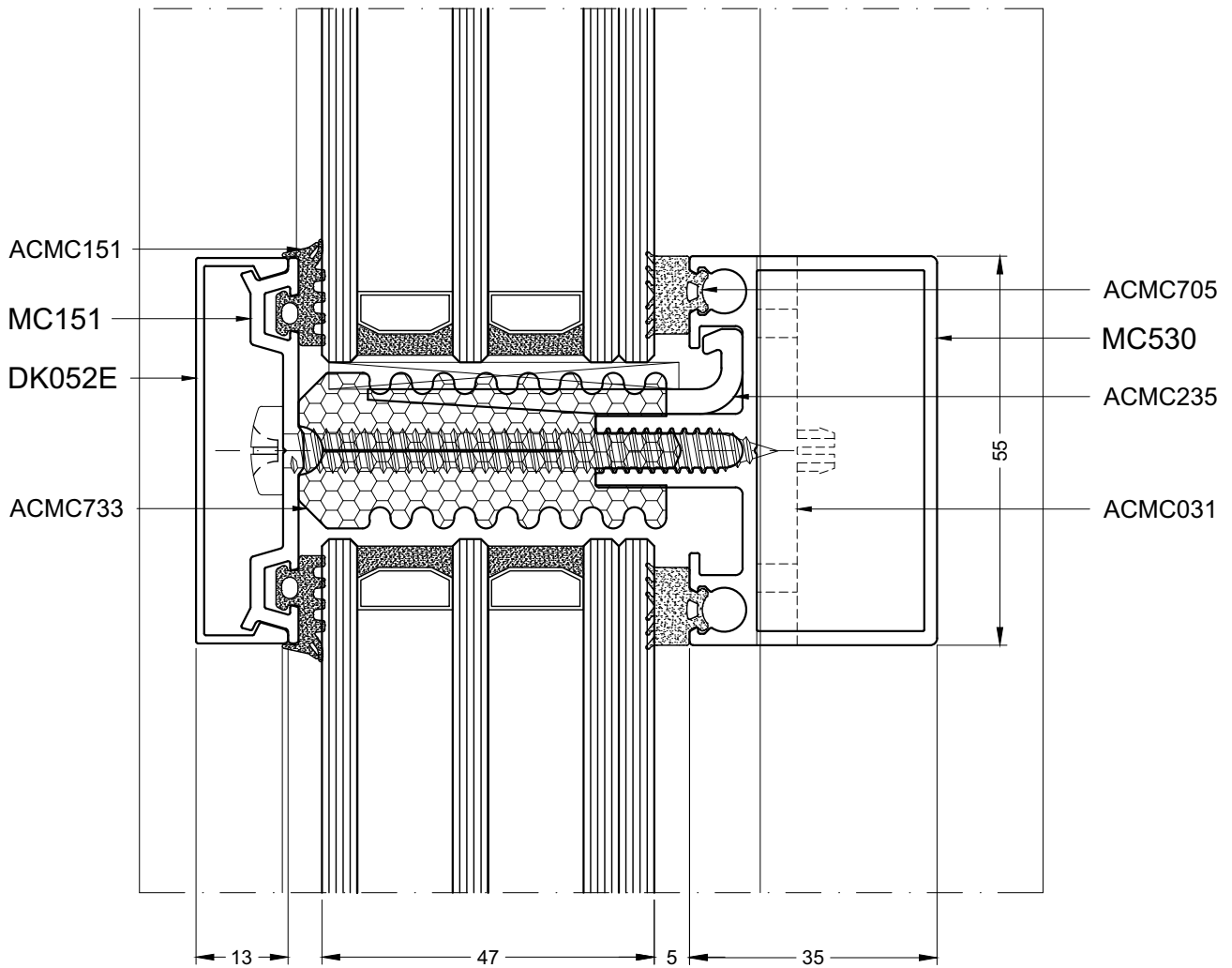
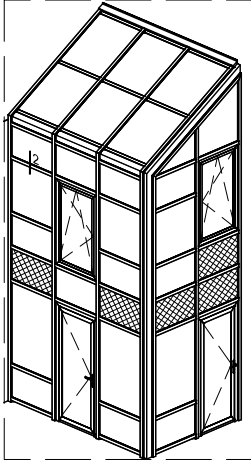
MCP+\_1.2

## 2.1



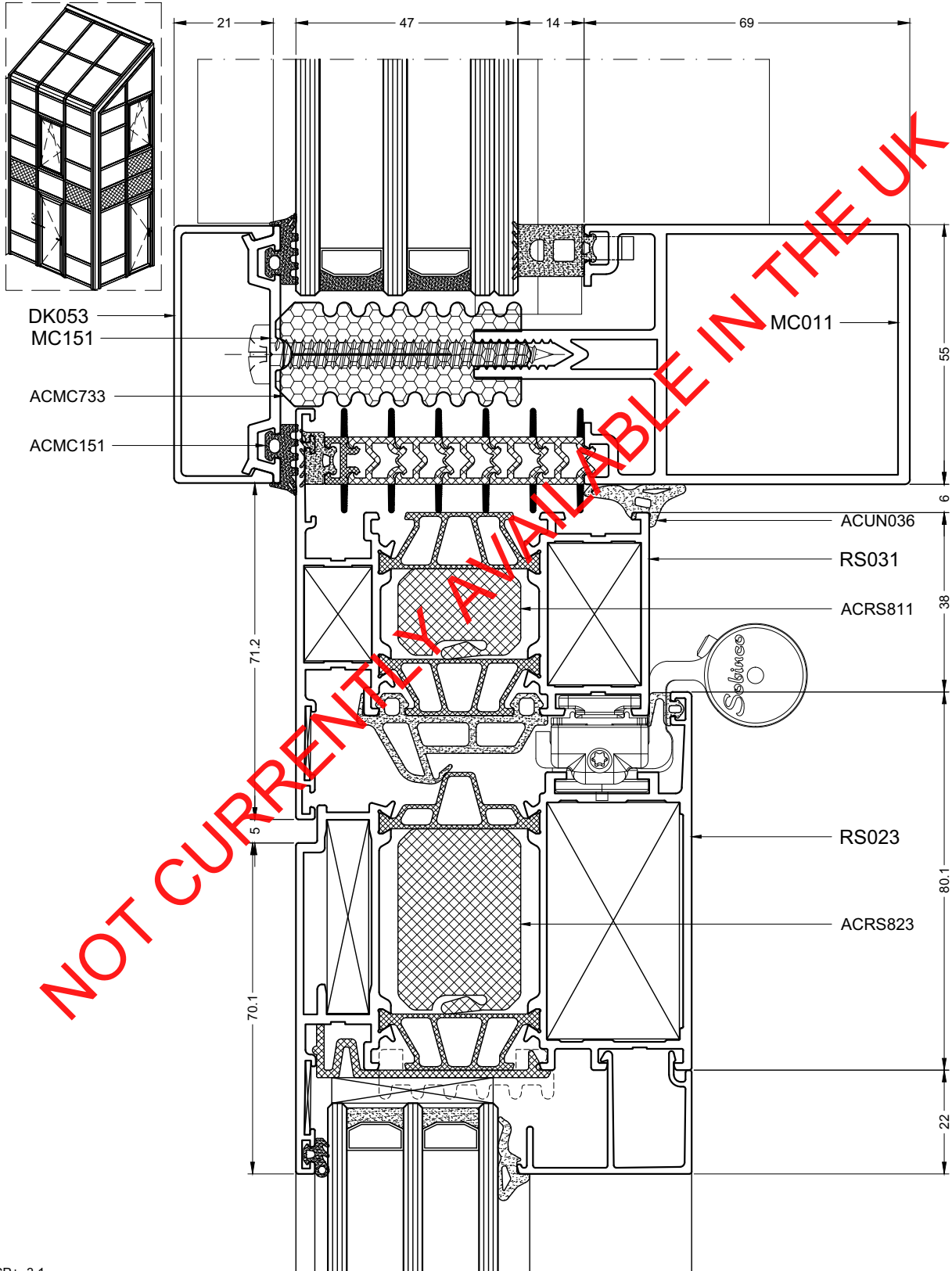
# MC-WALL

## 2.2



MCP+ \_2.2

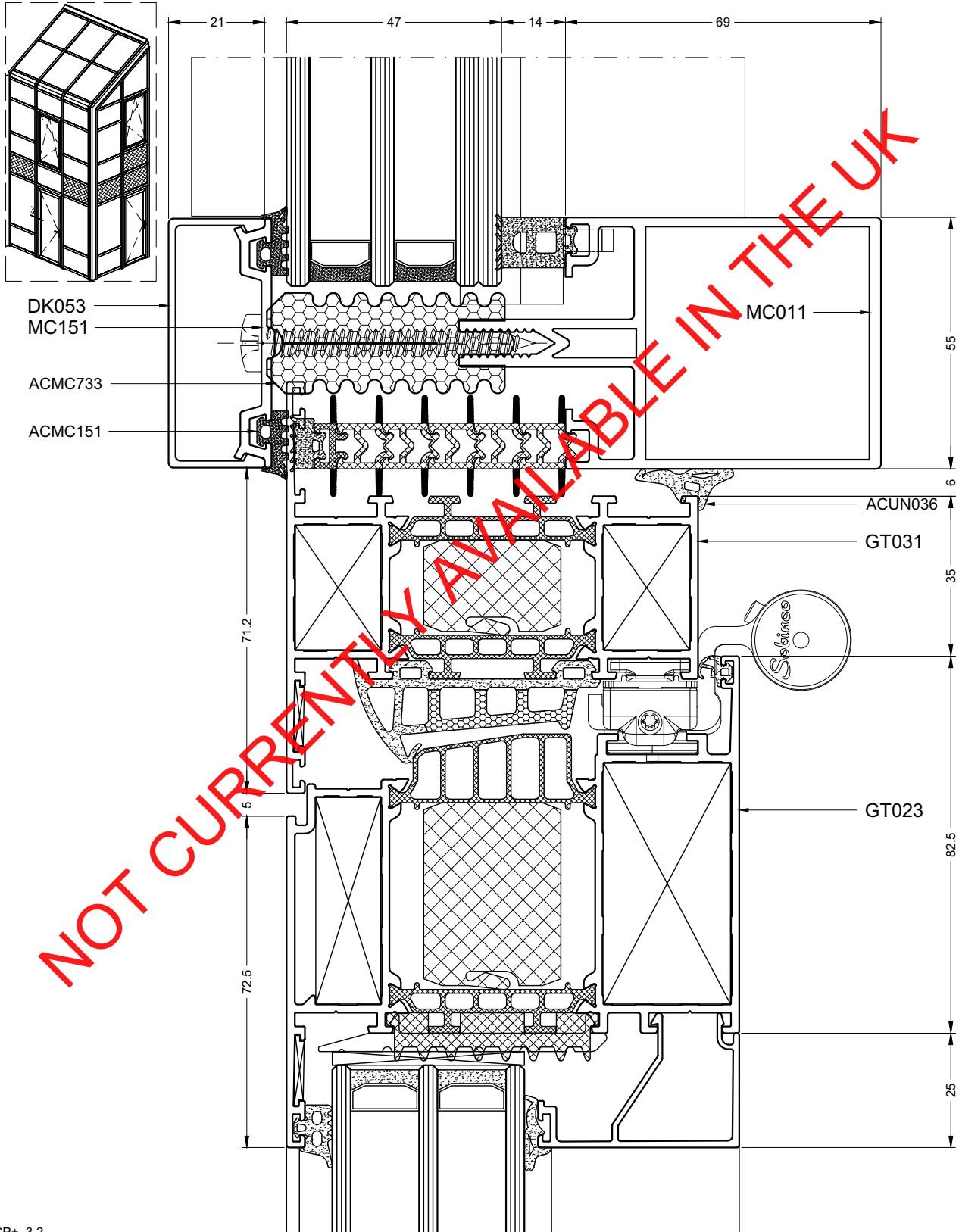
## 3.1



MCP+\_3.1

# MC-WALL

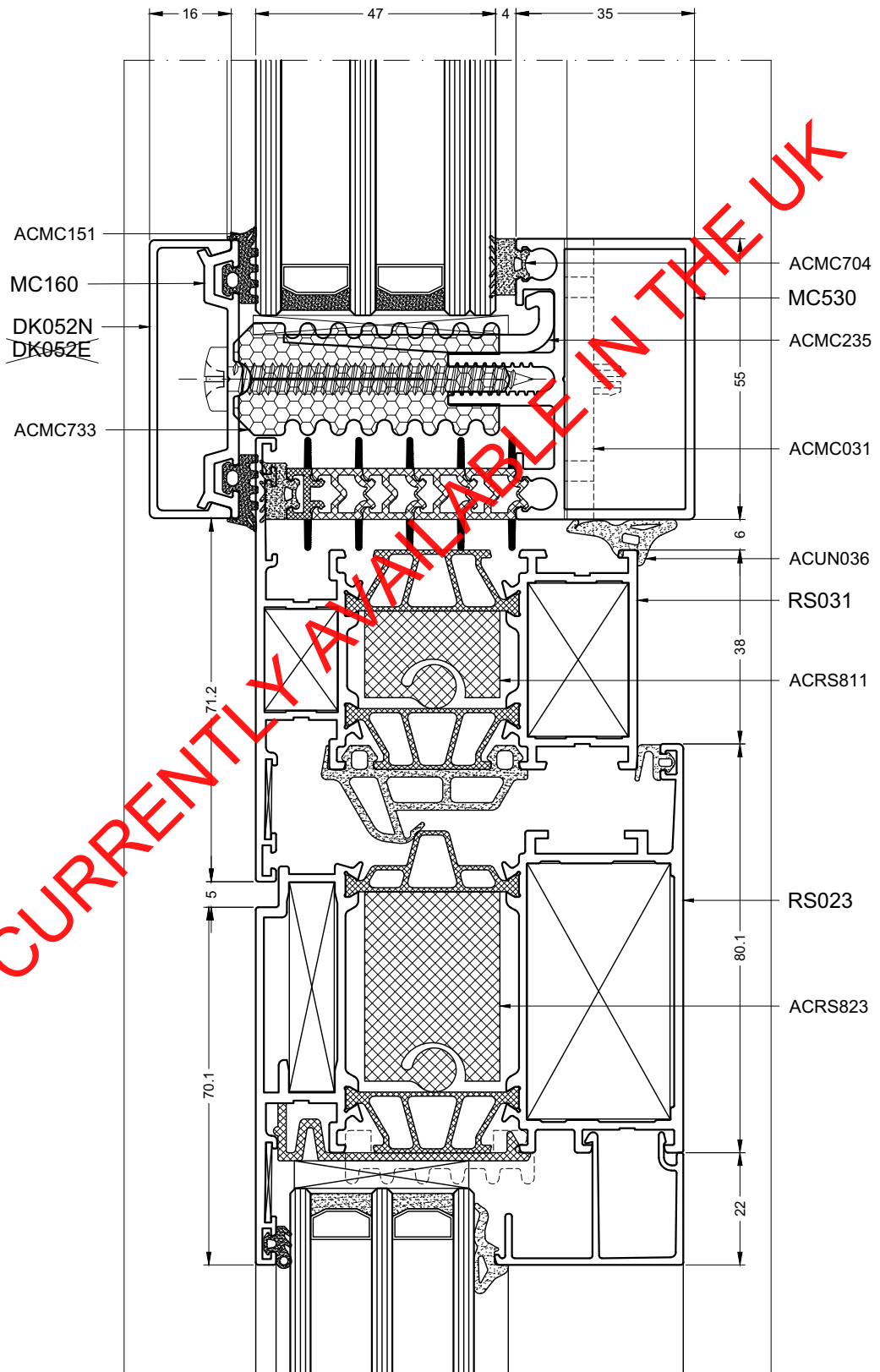
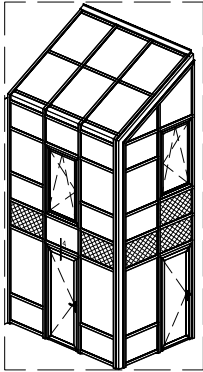
## 3.2



MCP+\_3.2



## 4.1



NOT CURRENTLY AVAILABLE IN THE UK

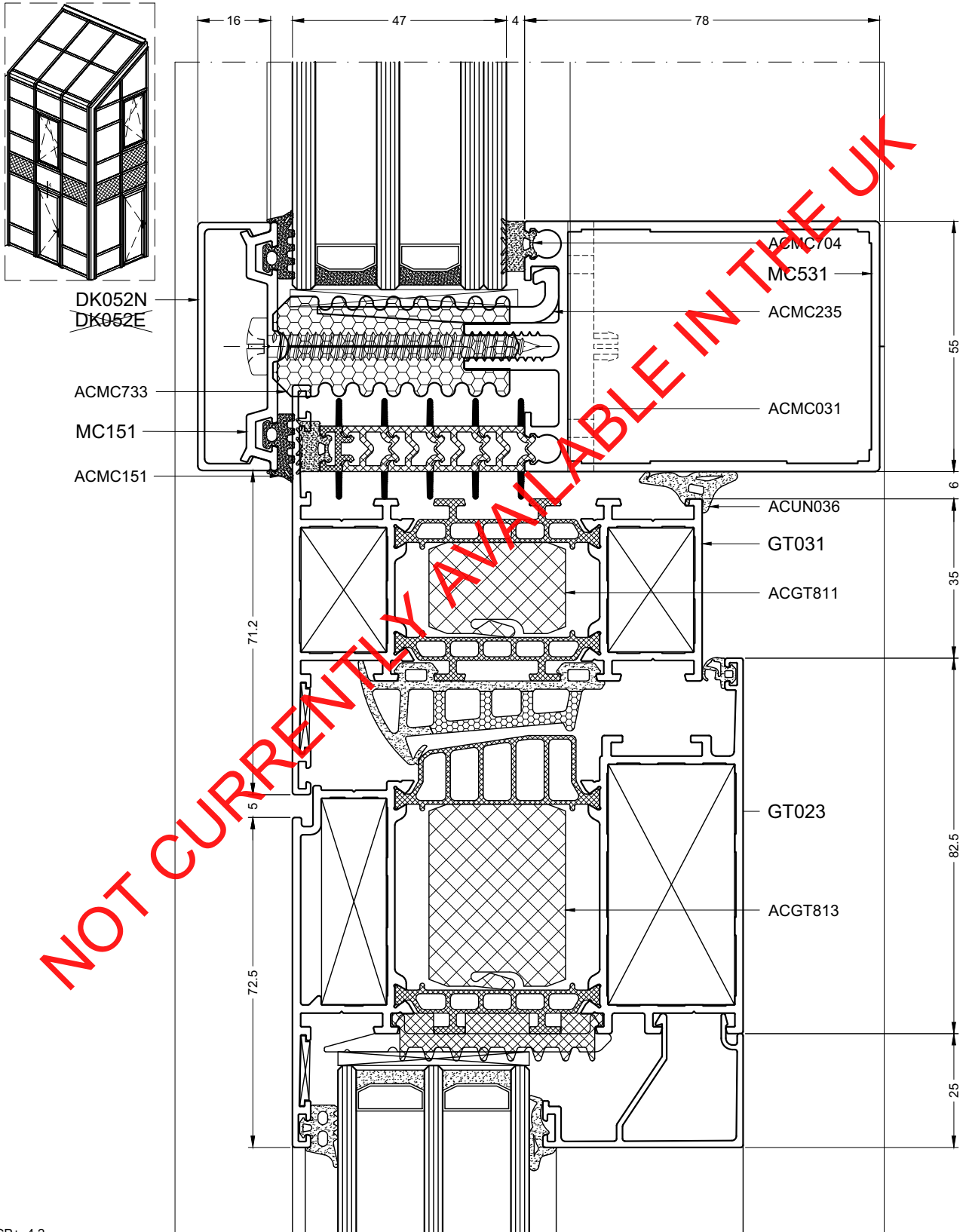
DOORSNEDETEKENINGEN - SECTION DE NOEUDS - PROFILKOMBINATIONEN - SECTION DRAWINGS

MCP+ 4.1



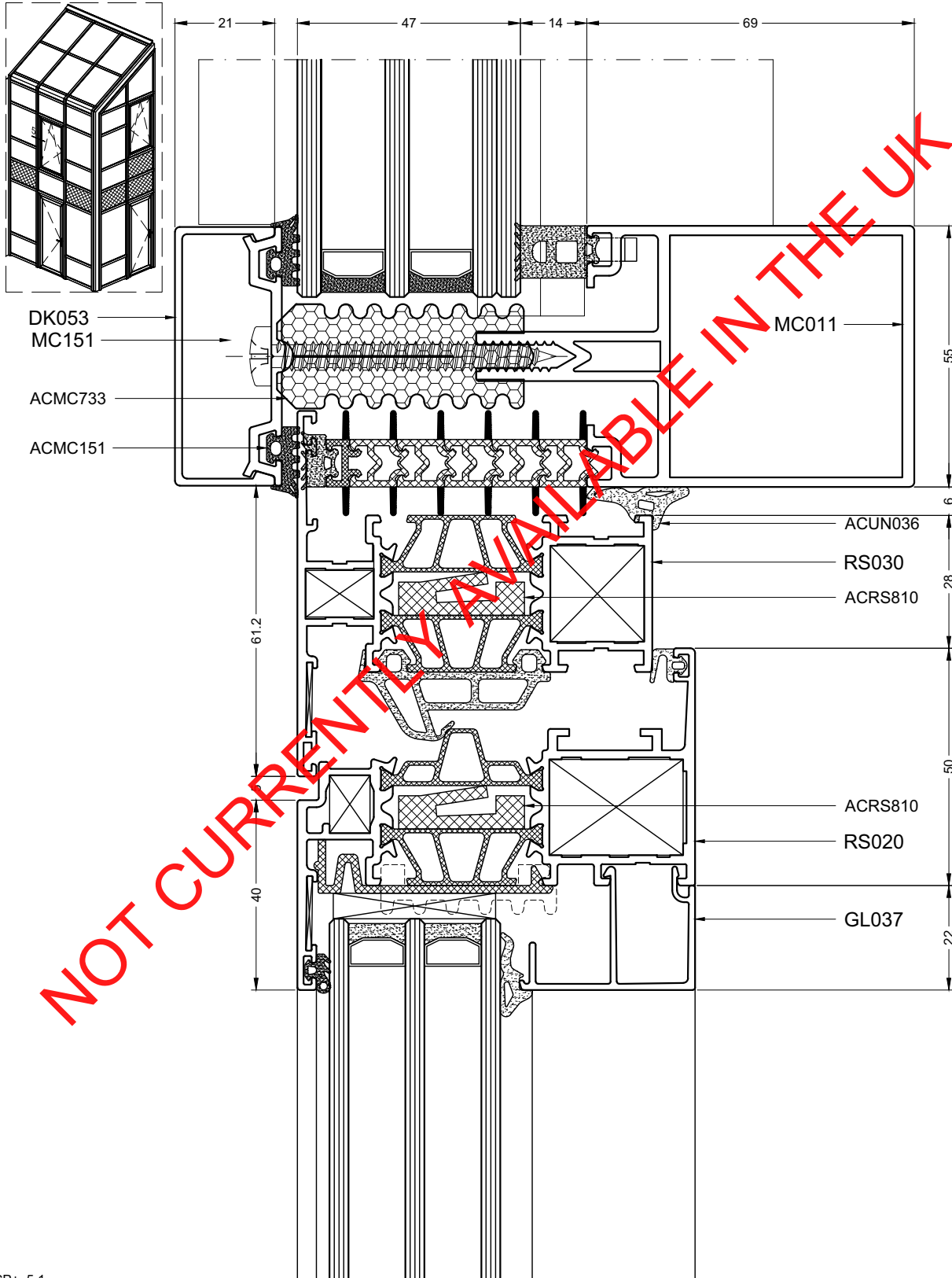
# MC-WALL

## 4.2



MCP+\_4.2

## 5.1

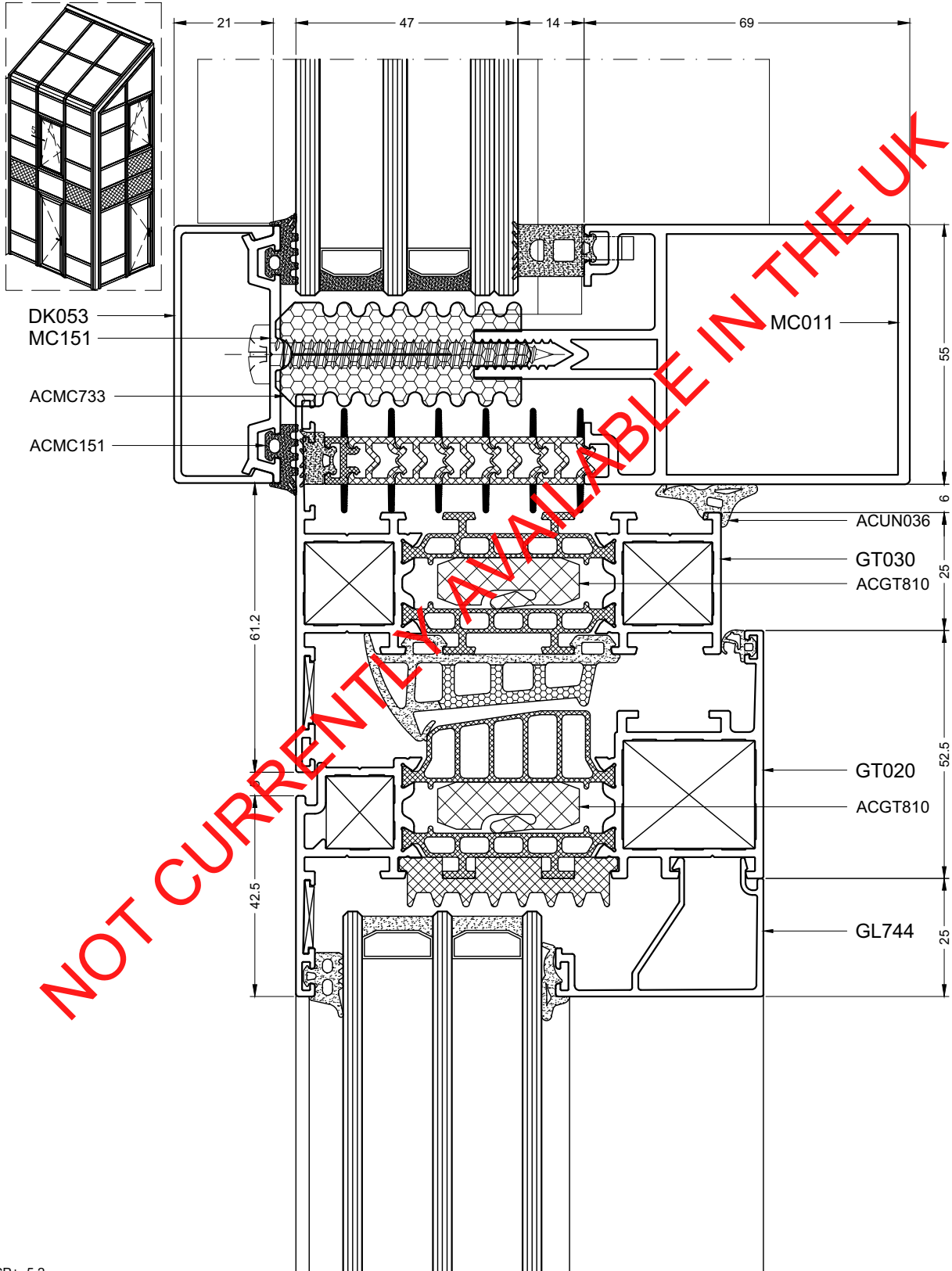


DOORSNEDETEKENINGEN - SECTION DE NOEUDS - PROFILKOMBINATIONEN - SECTION DRAWINGS

MCP+\_5.1

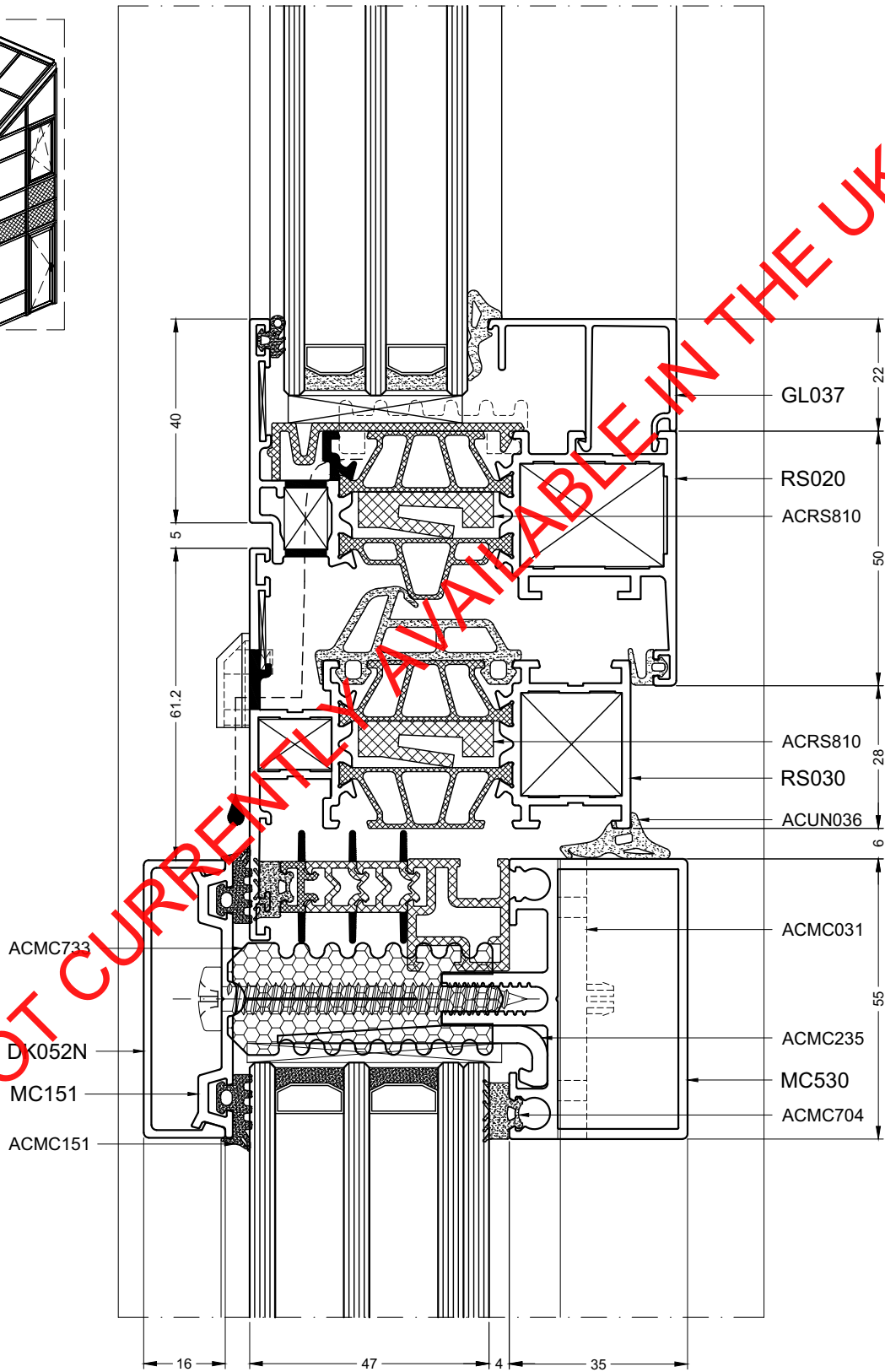
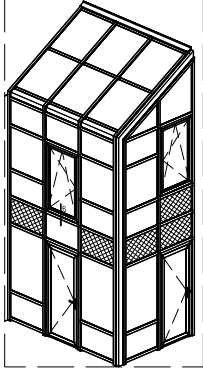
# MC-WALL

## 5.2



MCP+\_5.2

## 6.1

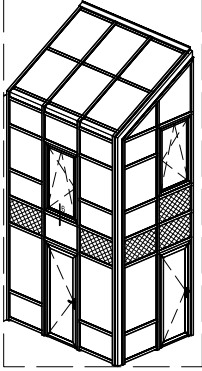


NOT CURRENTLY AVAILABLE IN THE UK

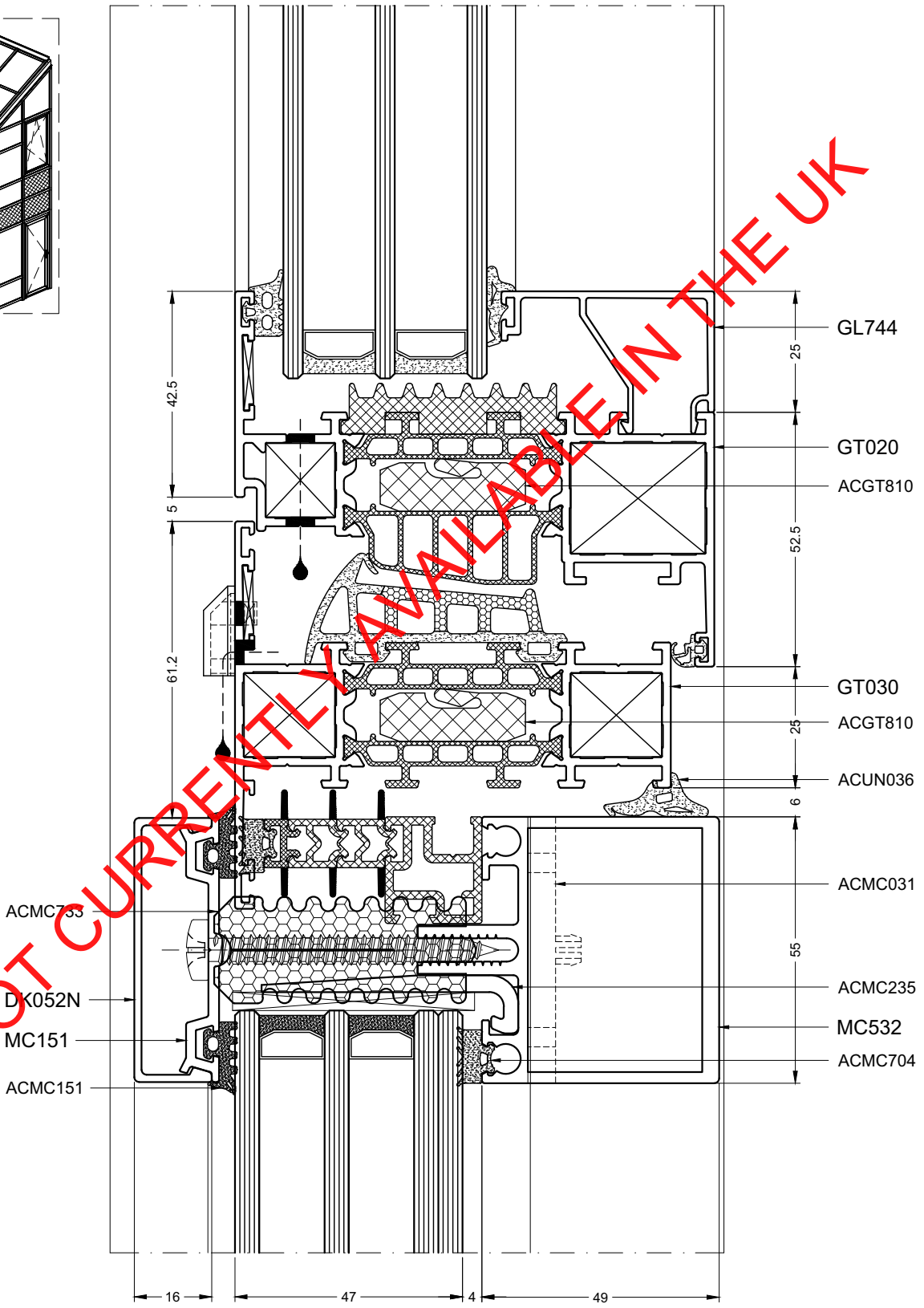
DOORSNEDETEKENINGEN - SECTION DE NOEUDS - PROFILKOMBINATIONEN - SECTION DRAWINGS

# MC-WALL

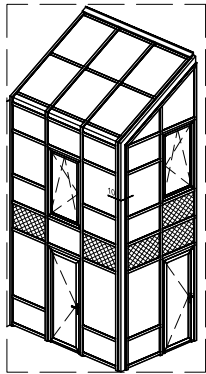
## 6.2



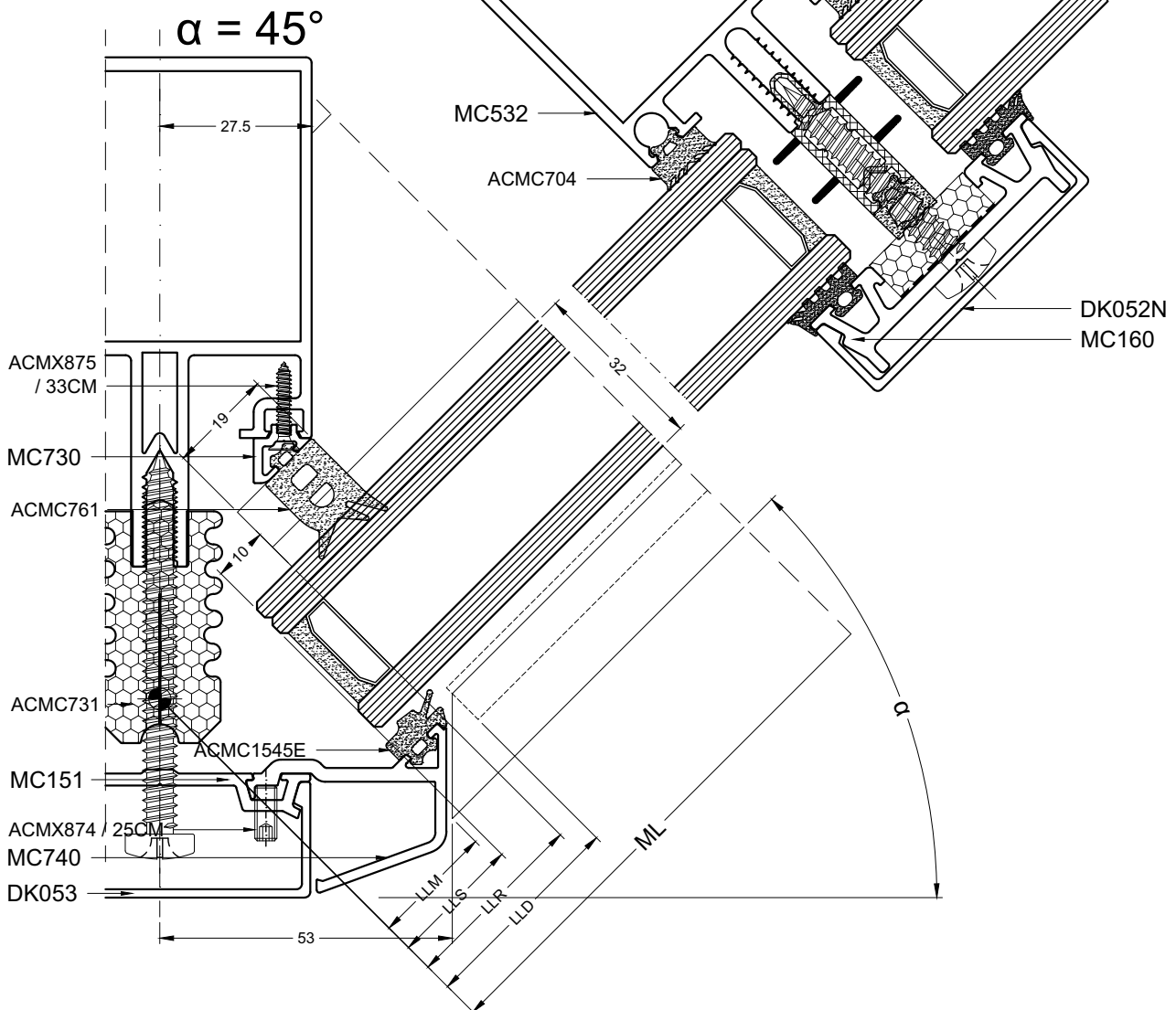
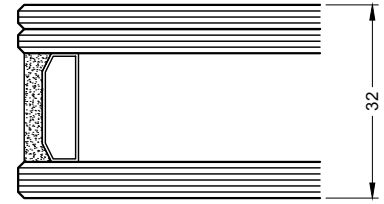
NOT CURRENTLY AVAILABLE IN THE UK



MCP+\_6.2



$\alpha$  38° - 45°

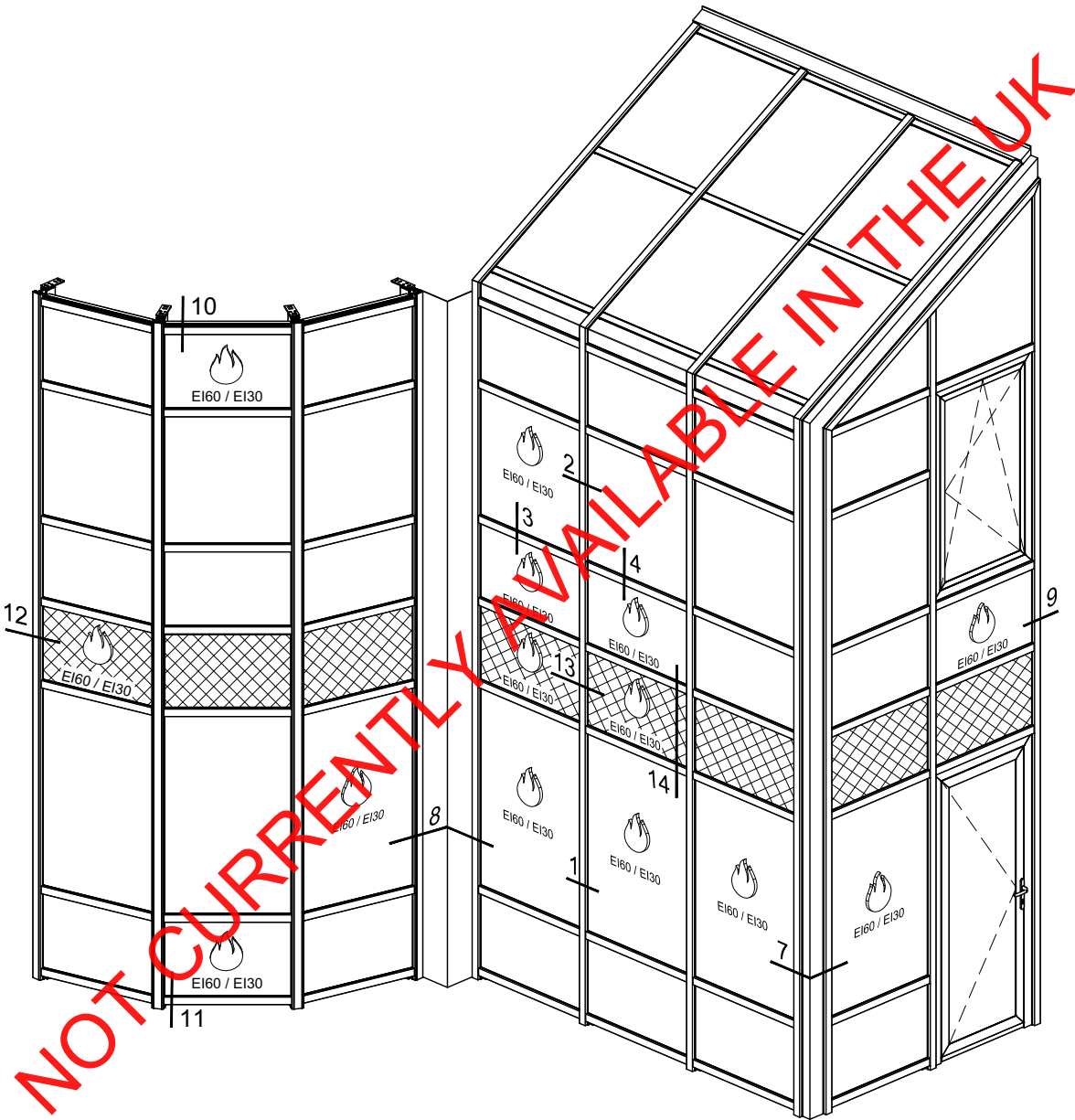


LLR	$((27.5 / \cos \alpha) - 19) + (14.5 \tan \alpha)$	LR = ML - LLR - RLR
LLS	$((27.5 / \cos \alpha) - 19) + (14.5 \tan \alpha)$	LS = ML - LLS - RLS
LLM	$((53 / \cos \alpha) - (52.8 \tan \alpha))$	LM = ML - LLM - RLM
LLD	LLM + (17.5 tan $\alpha$ )	LD = ML - LLD - RLD

MCP+\_10

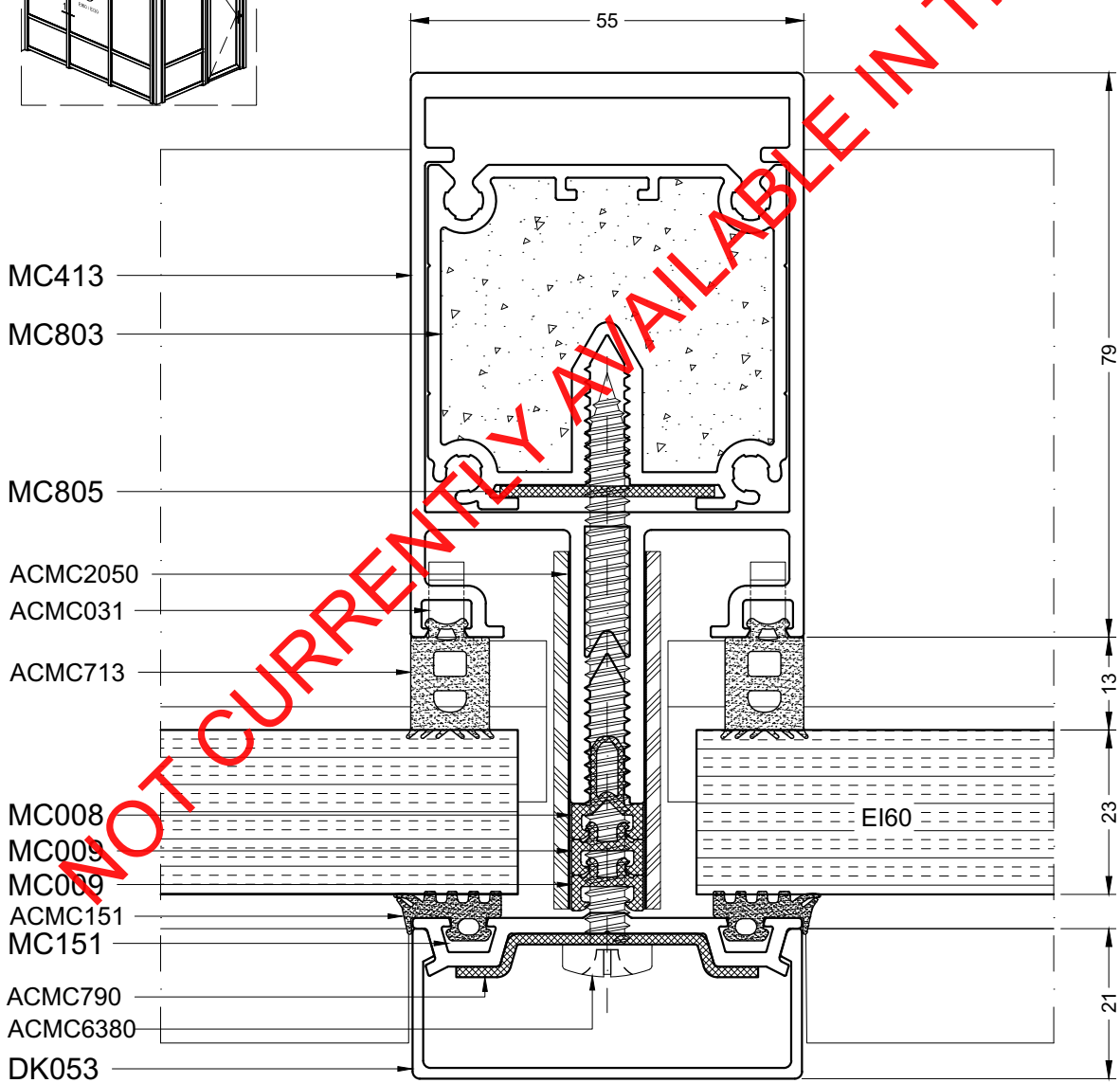
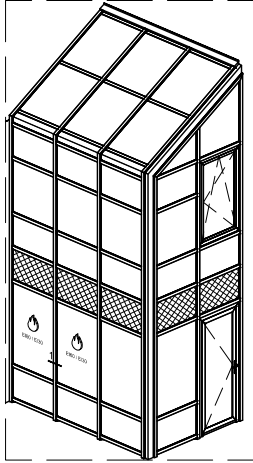
# MC-WALL

## MC FIRE





## 1.1

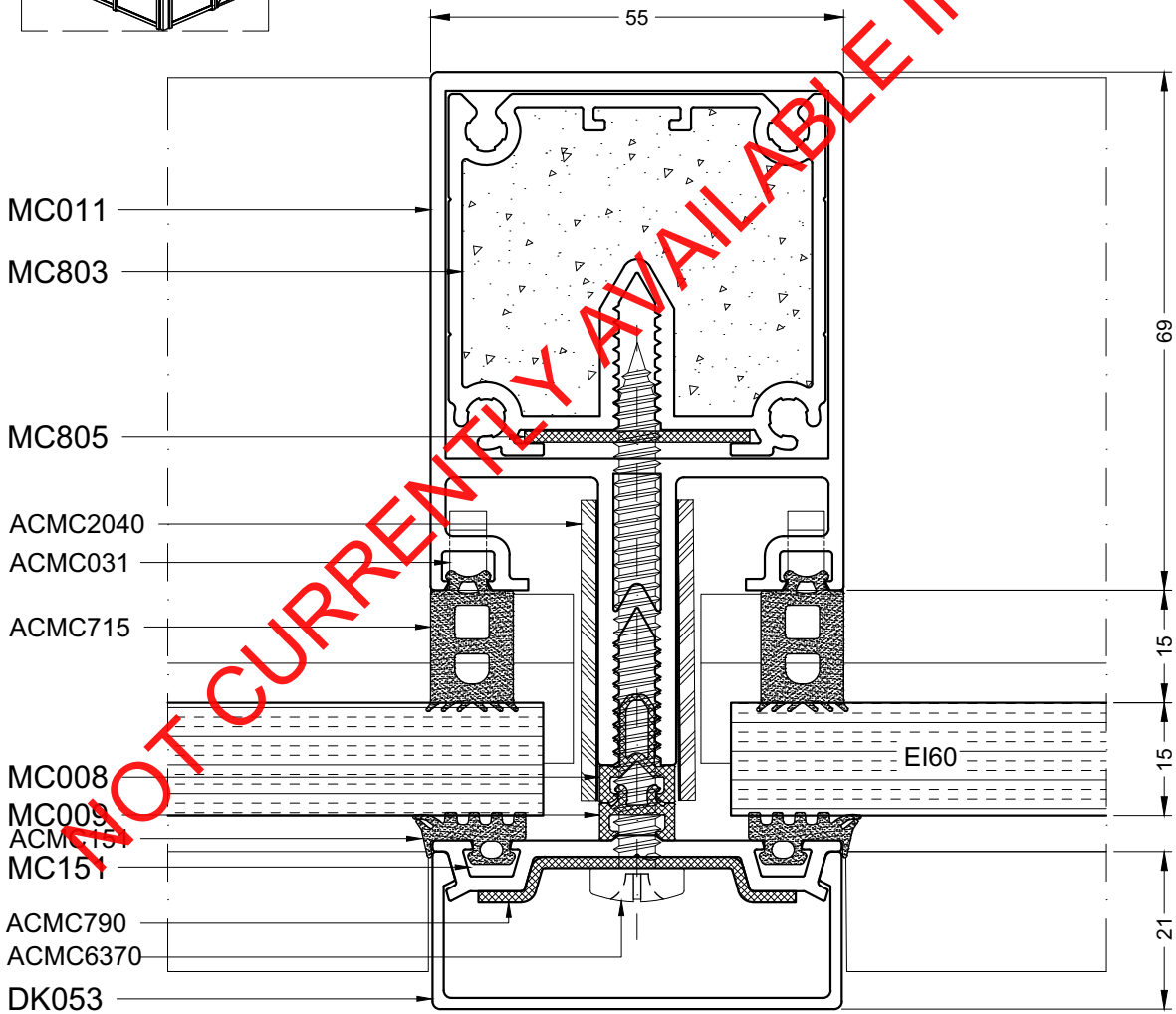
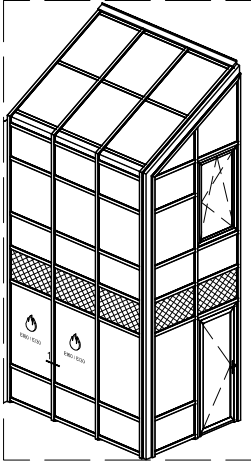


DOORSNEDETEKENINGEN - SECTION DE NOEUDS - PROFILKOMBINATIONEN - SECTION DRAWINGS

MCF\_1.1

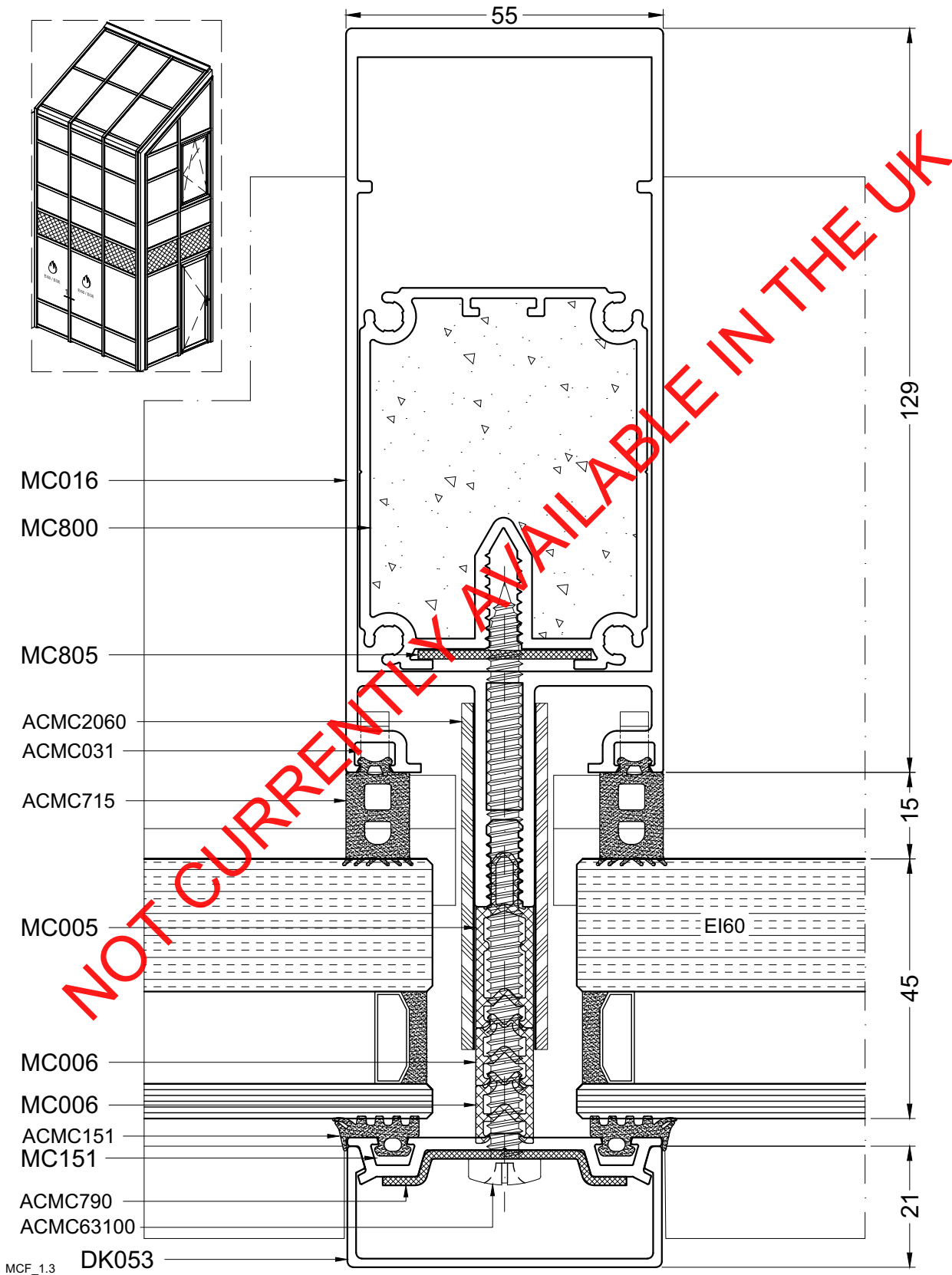
# MC-WALL

## 1.2



MCF\_1.2

## 1.3



DOORSNEDETEKENINGEN - SECTION DE NOEUDS - PROFILKOMBINATIONEN - SECTION DRAWINGS

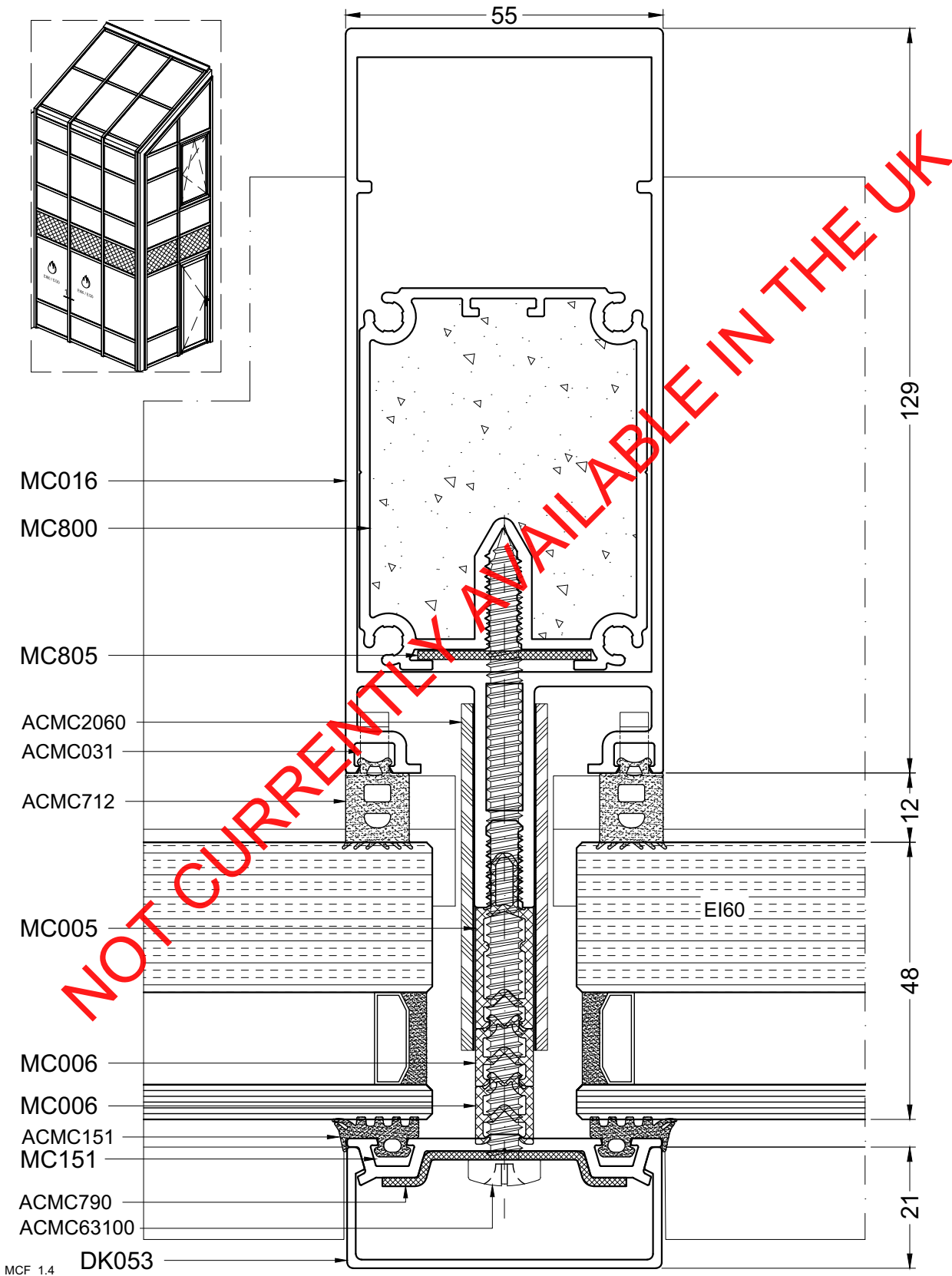
MCF\_1.3

**aliplast**  
member of

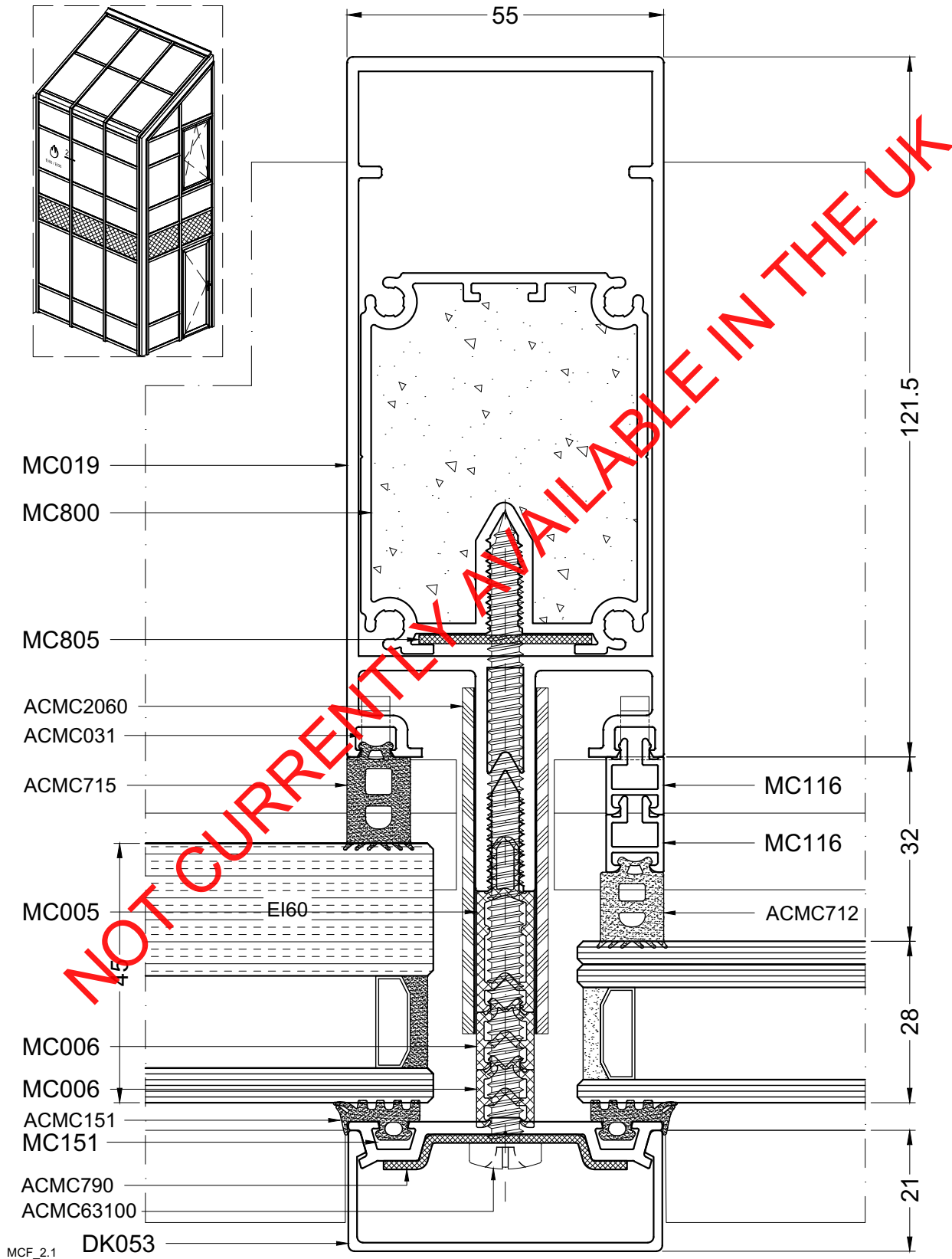


# MC-WALL

## 1.4



## 2.1

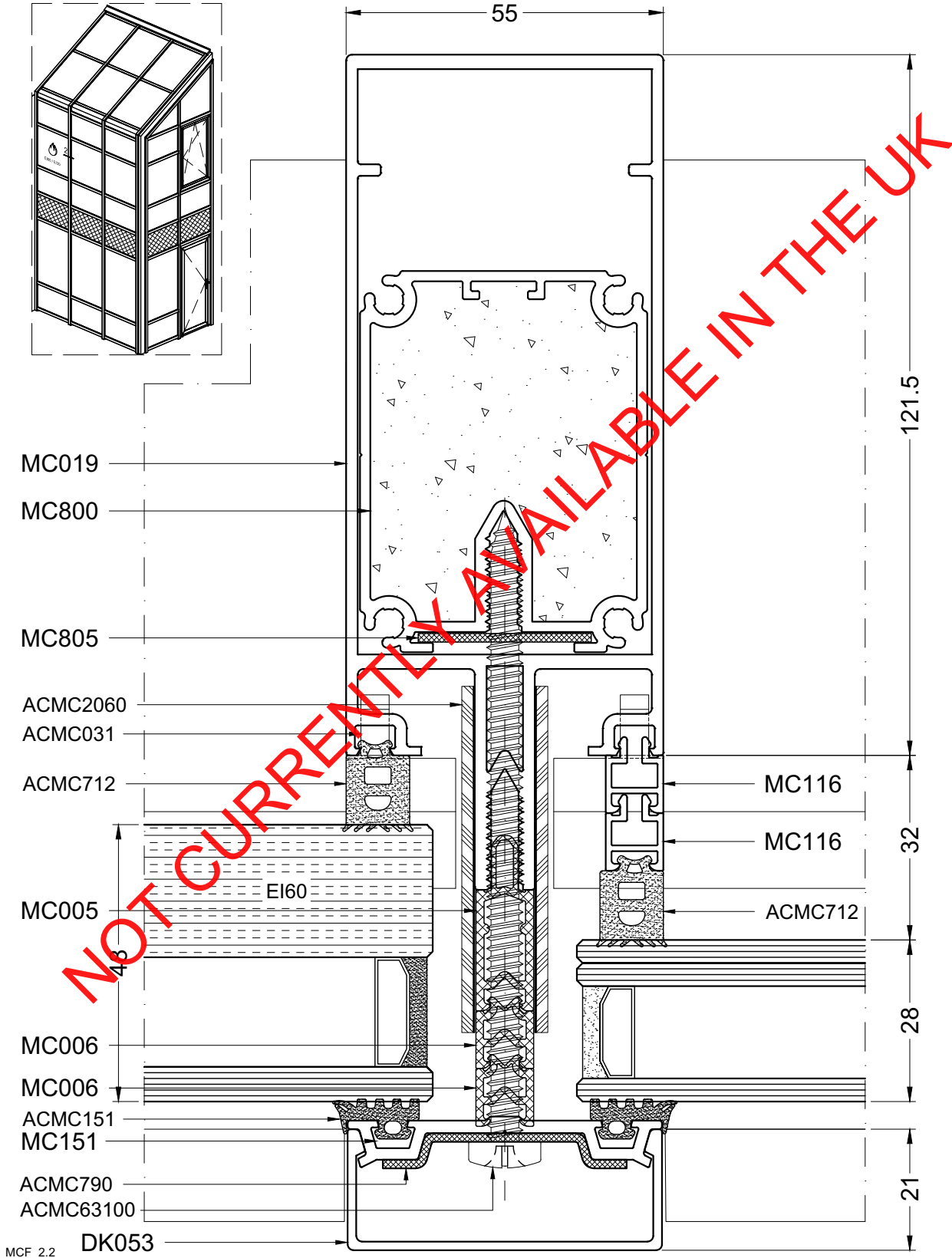


DOORSNEDETEKENINGEN - SECTION DE NOEUDS - PROFILKOMBINATIONEN - SECTION DRAWINGS

MCF\_2.1

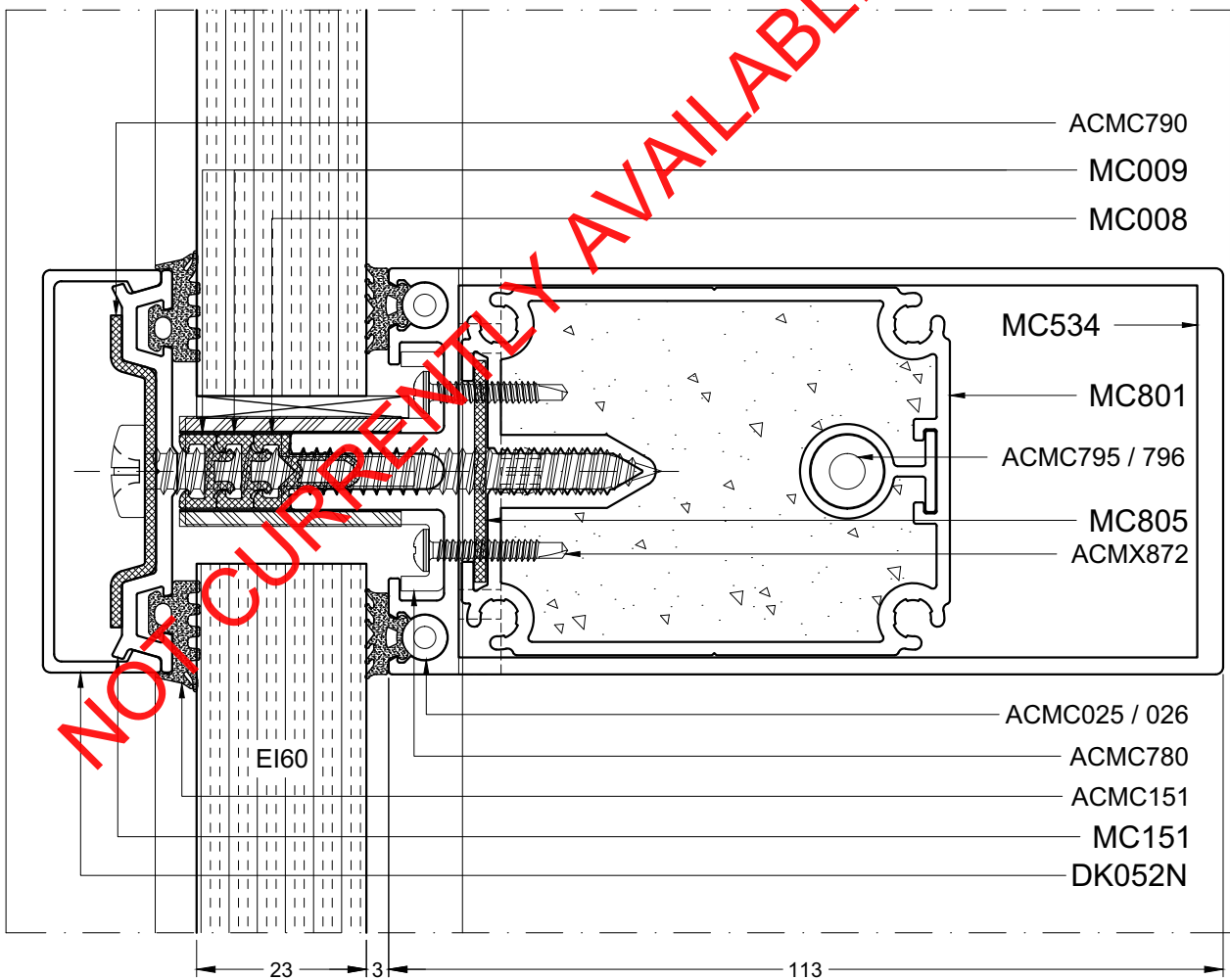
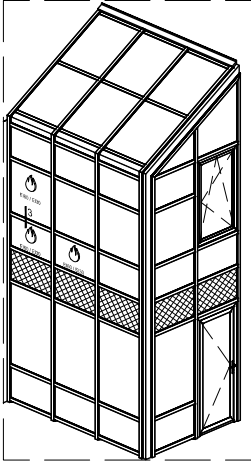
# MC-WALL

## 2.2



MCF\_2.2

## 3.1

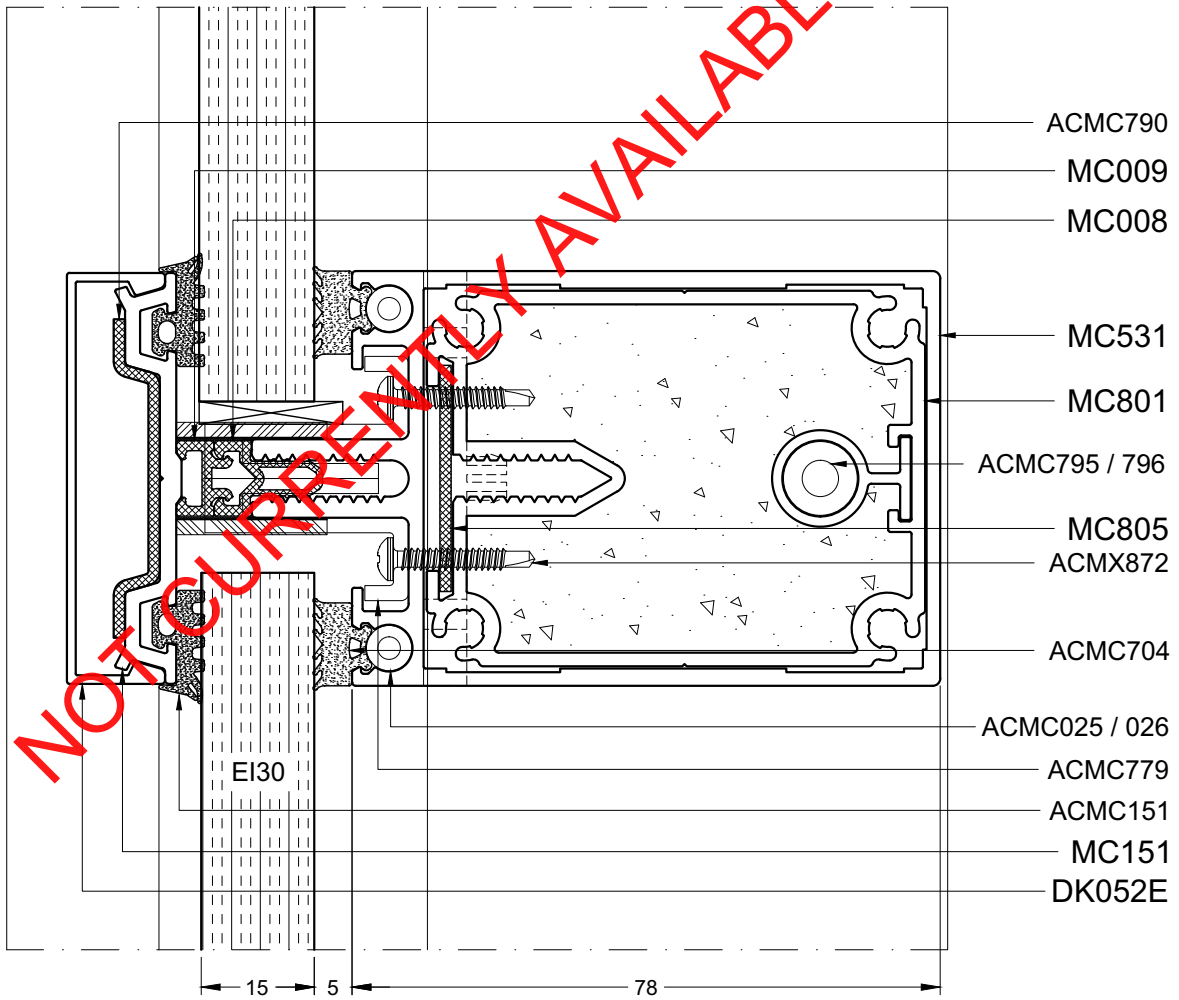
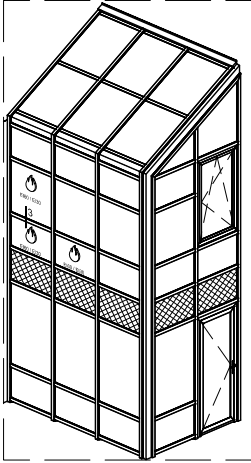


DOORSNEDETEKENINGEN - SECTION DE NOEUDS - PROFILKOMBINATIONEN - SECTION DRAWINGS

MCF\_3.1

# MC-WALL

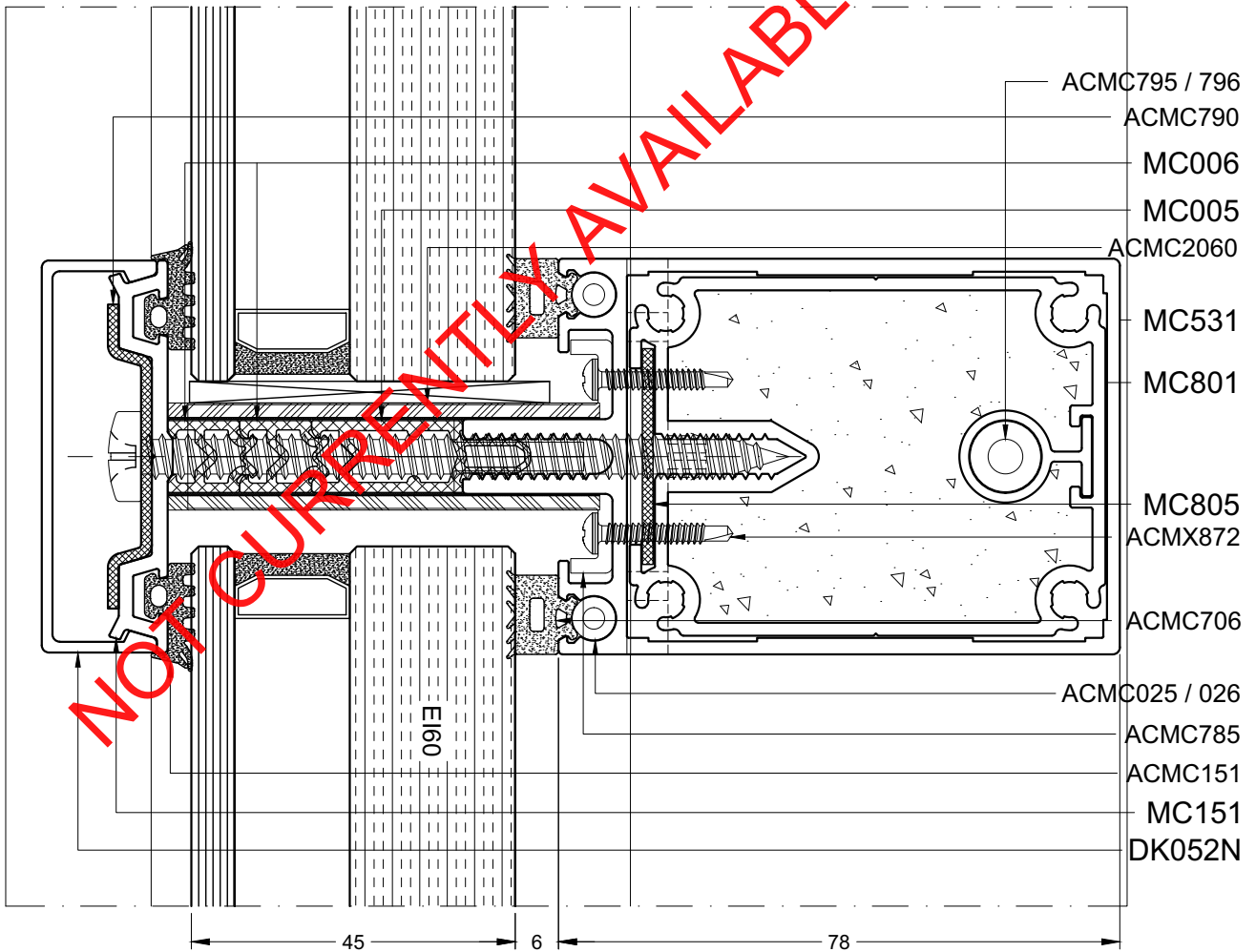
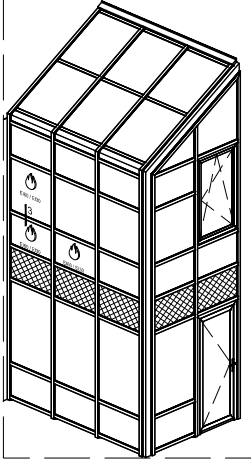
## 3.2



MCF\_3.2



## 3.3

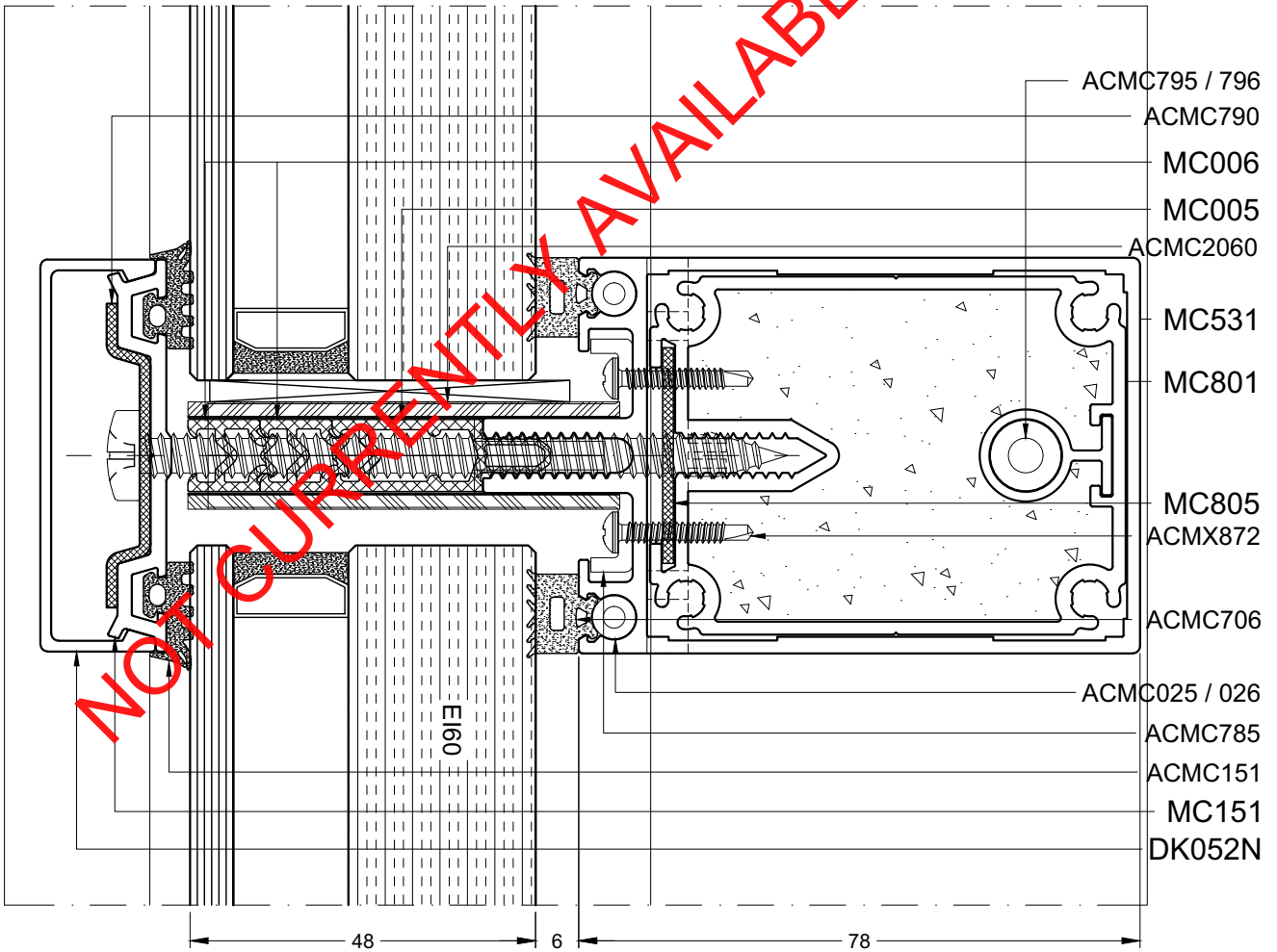
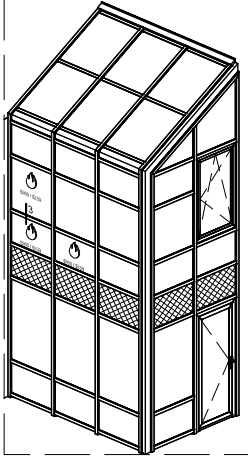


DOORSNEDETEKENINGEN - SECTION DE NOEUDS - PROFILKOMBINATIONEN - SECTION DRAWINGS

MCF\_3.3

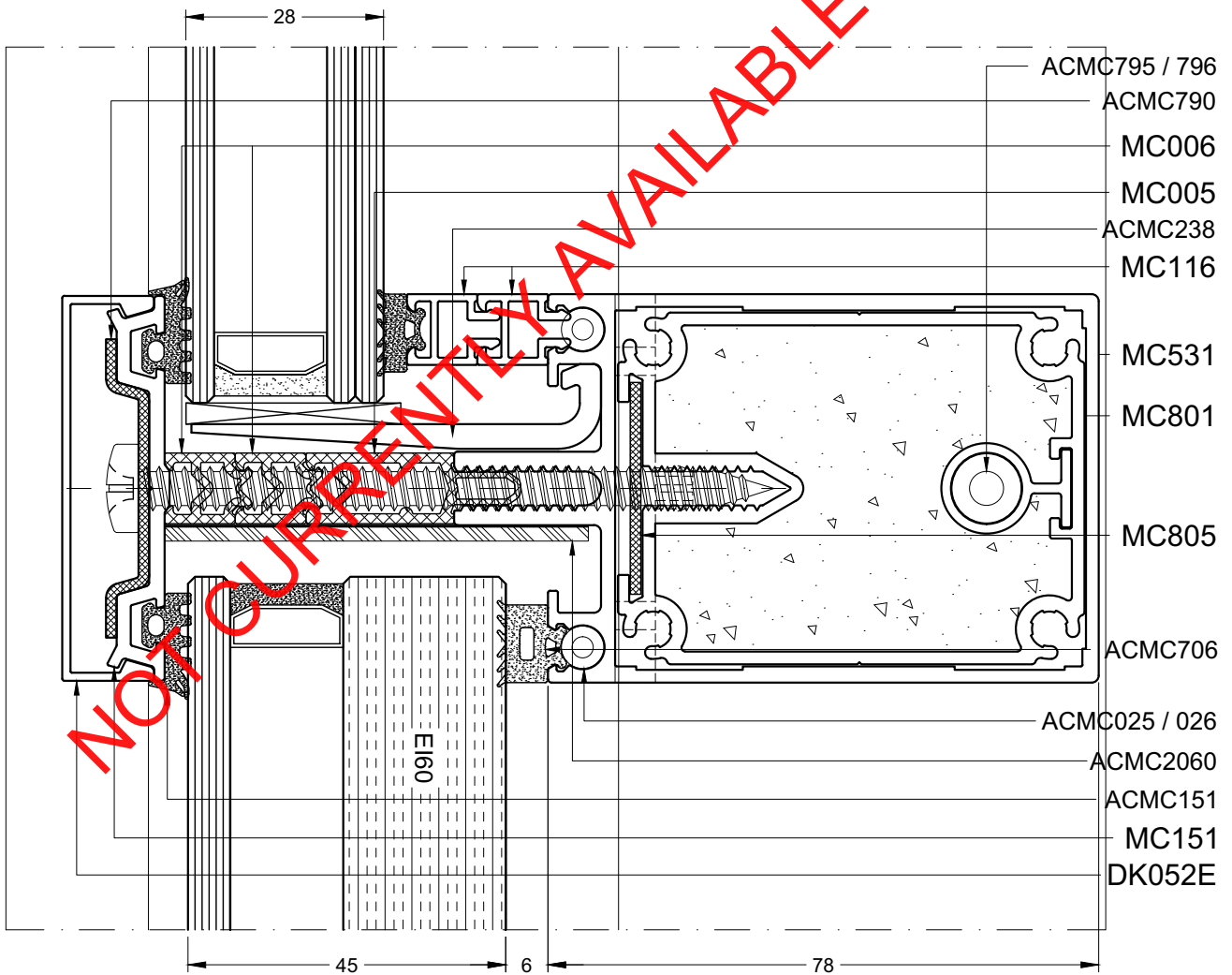
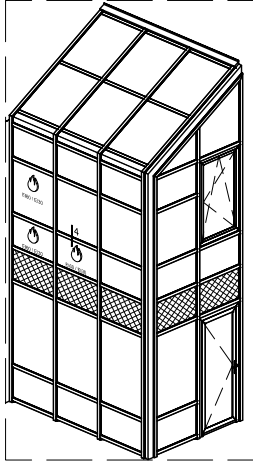
# MC-WALL

## 3.4



MCF\_3.4

## 4.1

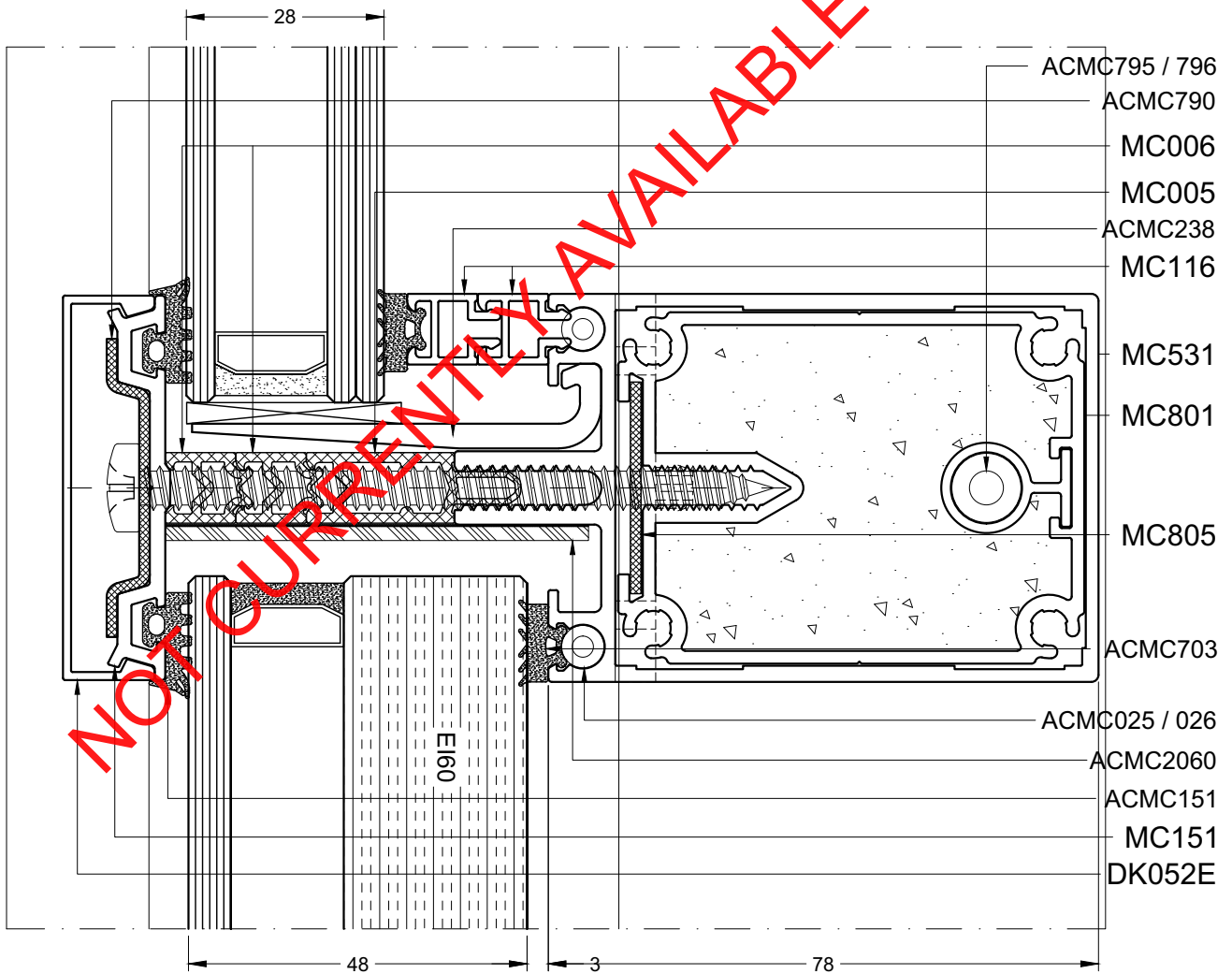
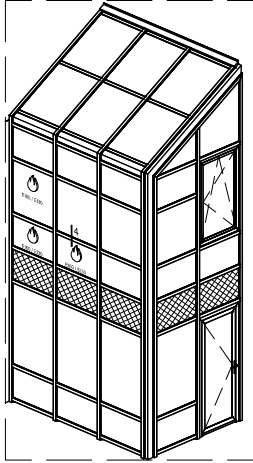


DOORSNEDETEKENINGEN - SECTION DE NOEUDS - PROFILKOMBINATIONEN - SECTION DRAWINGS

MCF\_4.1

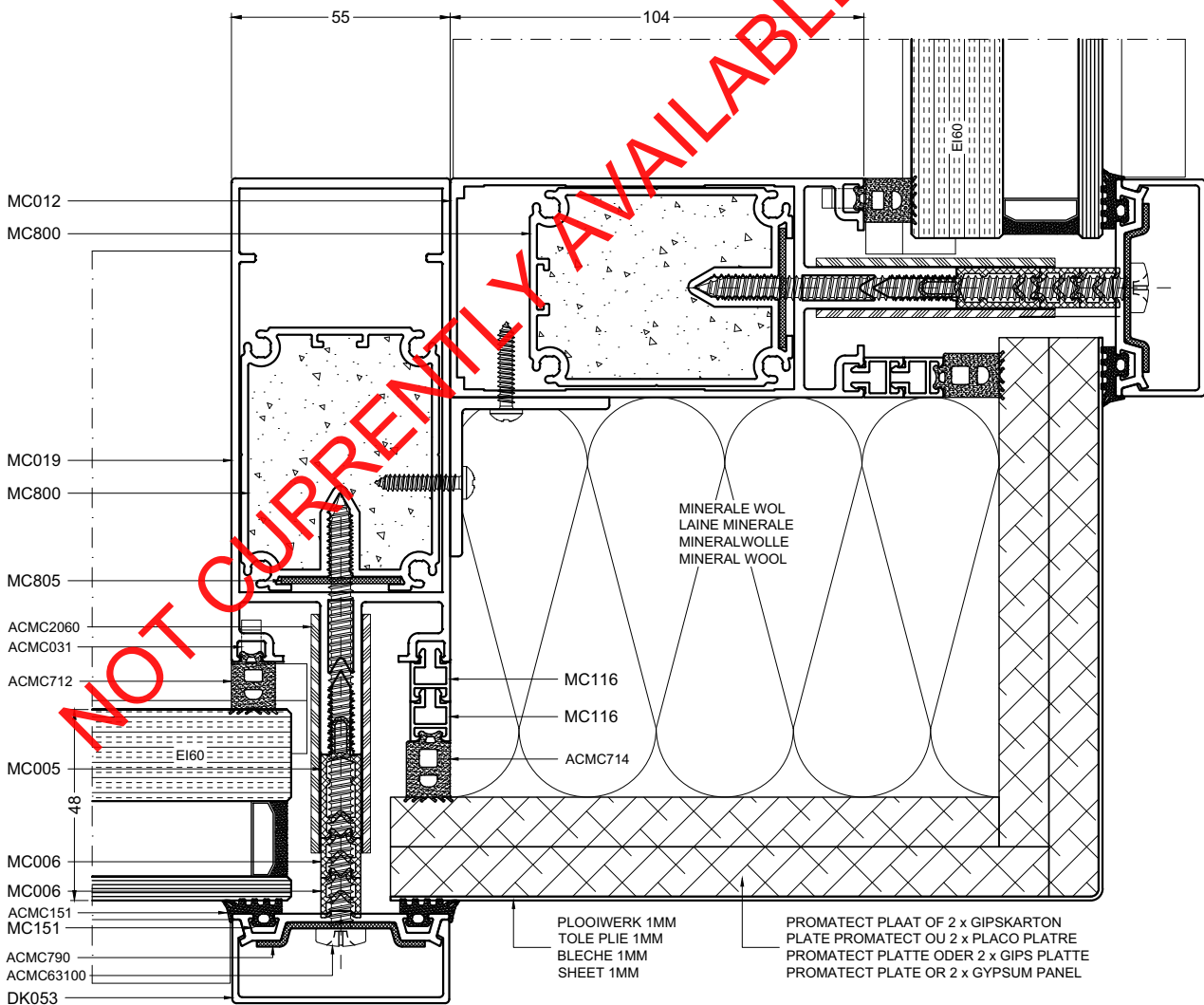
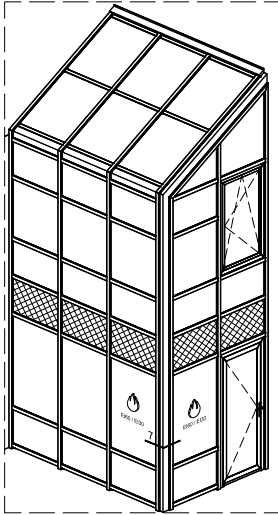
# MC-WALL

## 4.2



MCF\_4.2

## 7.1



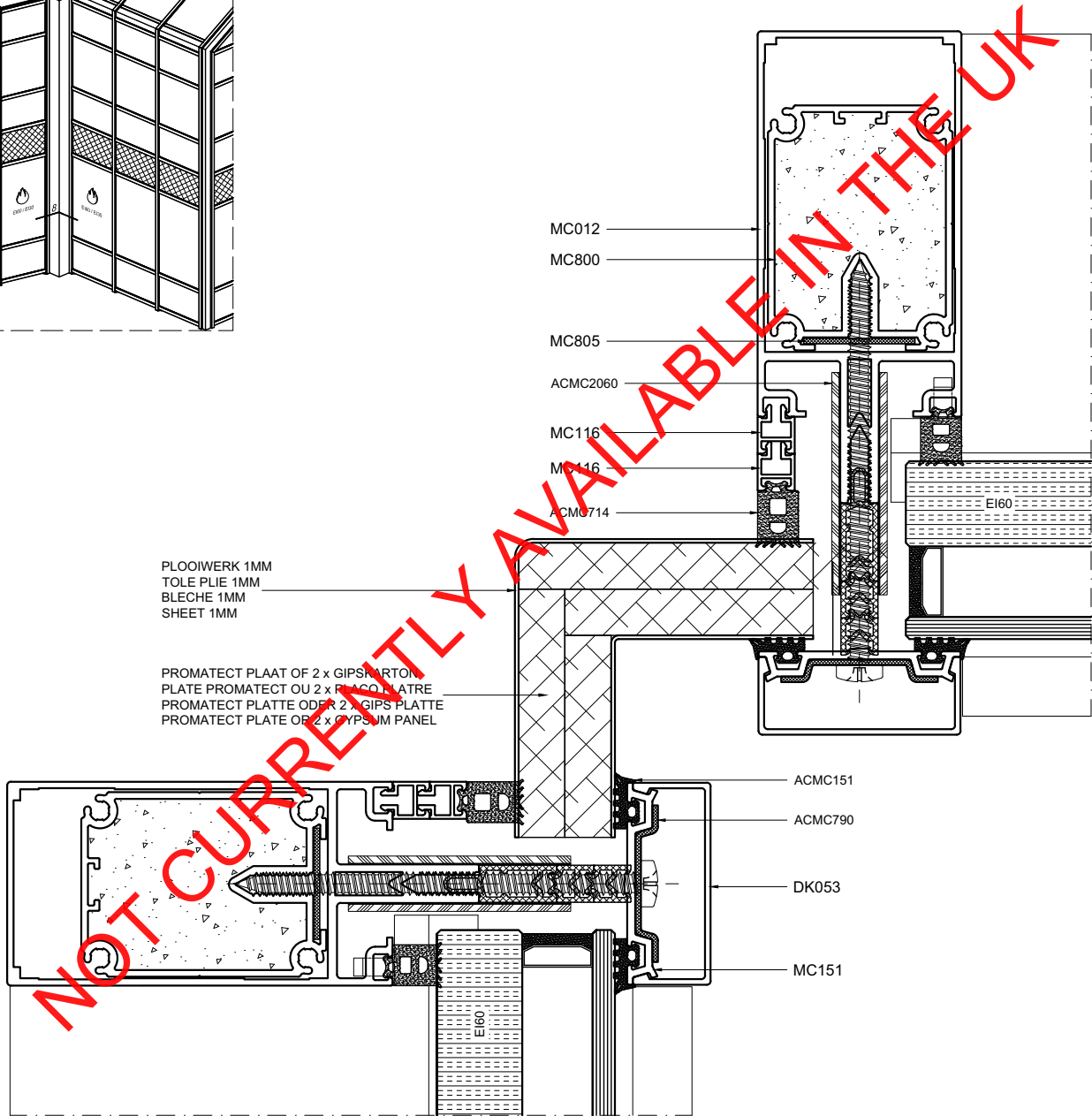
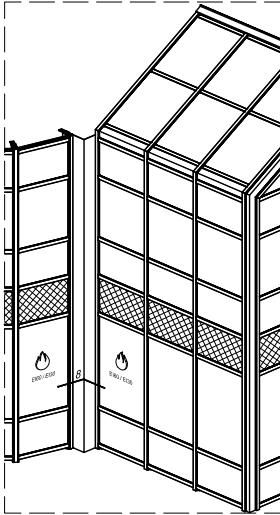
NOT CURRENTLY AVAILABLE IN THE UK

DOORSNEDETEKENINGEN - SECTION DE NOEUDS - PROFILKOMBINATIONEN - SECTION DRAWINGS

MCF\_7.1

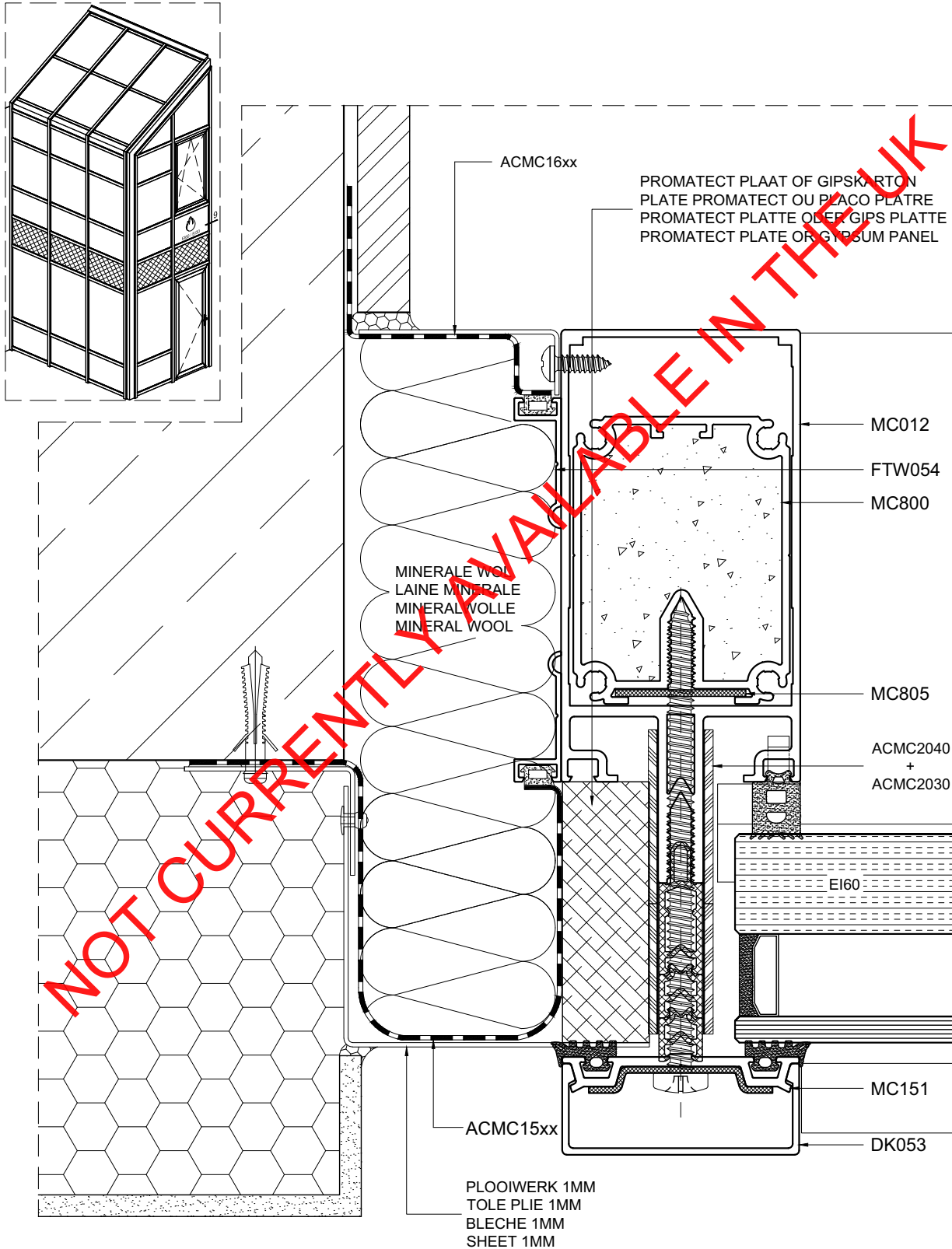
# MC-WALL

## 8.1



MCF\_8.1

## 9.1



NOT CURRENTLY AVAILABLE IN THE UK

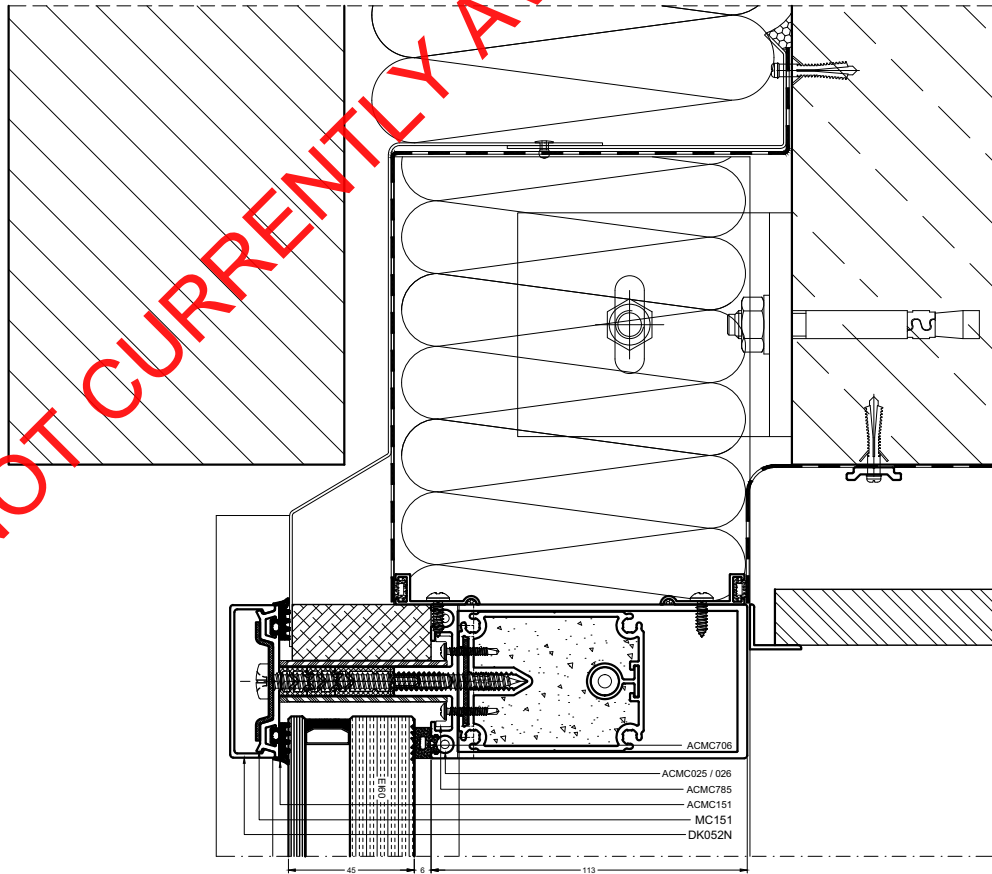
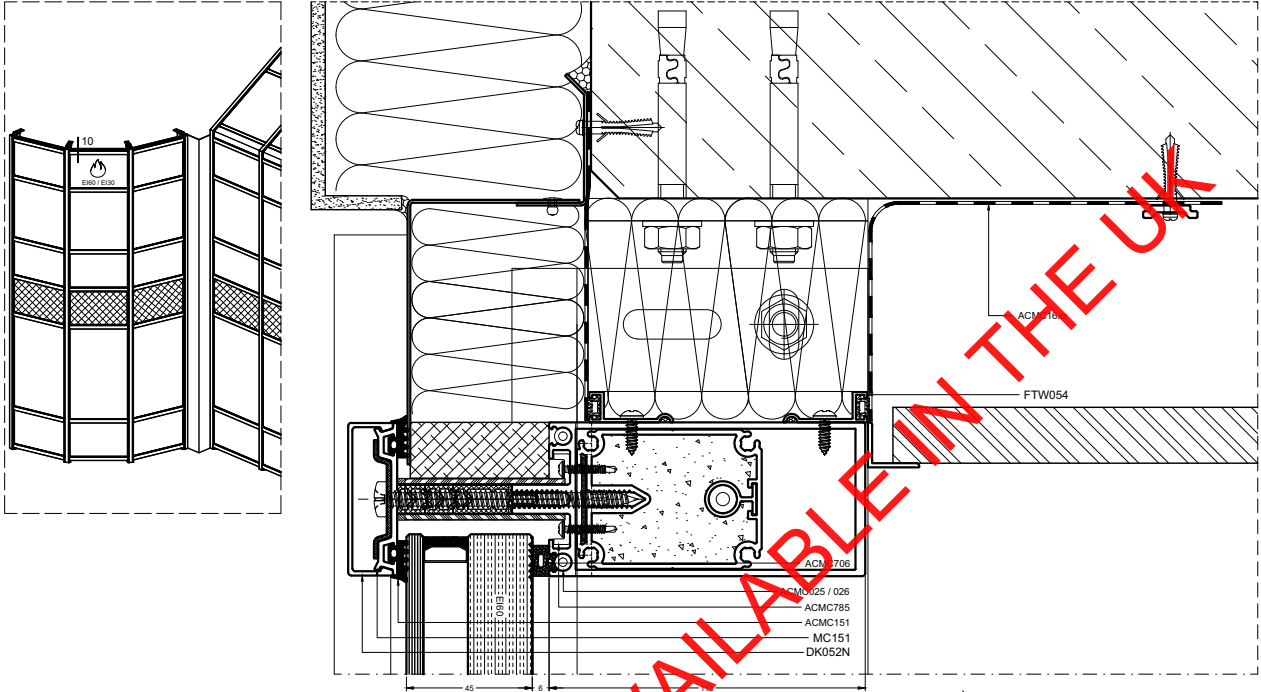
DOORSNEDETEKENINGEN - SECTION DE NOEUDS - PROFILKOMBINATIONEN - SECTION DRAWINGS

MCF\_9.1



# MC-WALL

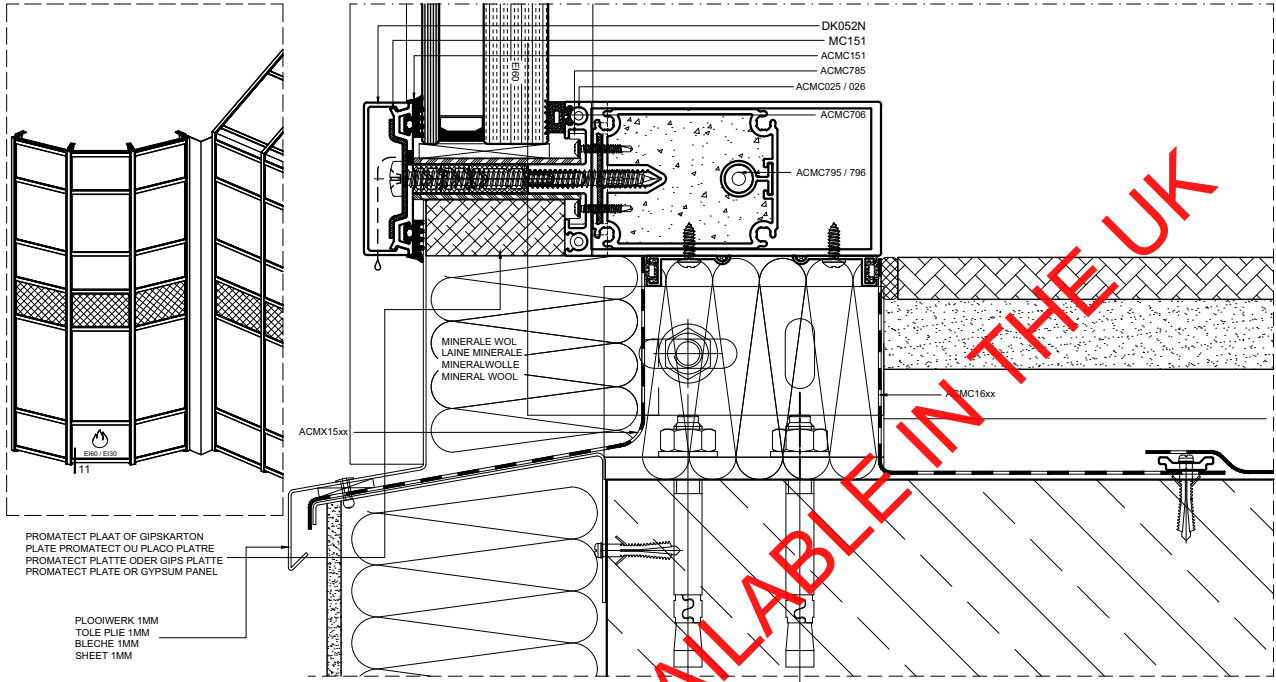
## 10.1



NOT CURRENTLY AVAILABLE IN THE UK

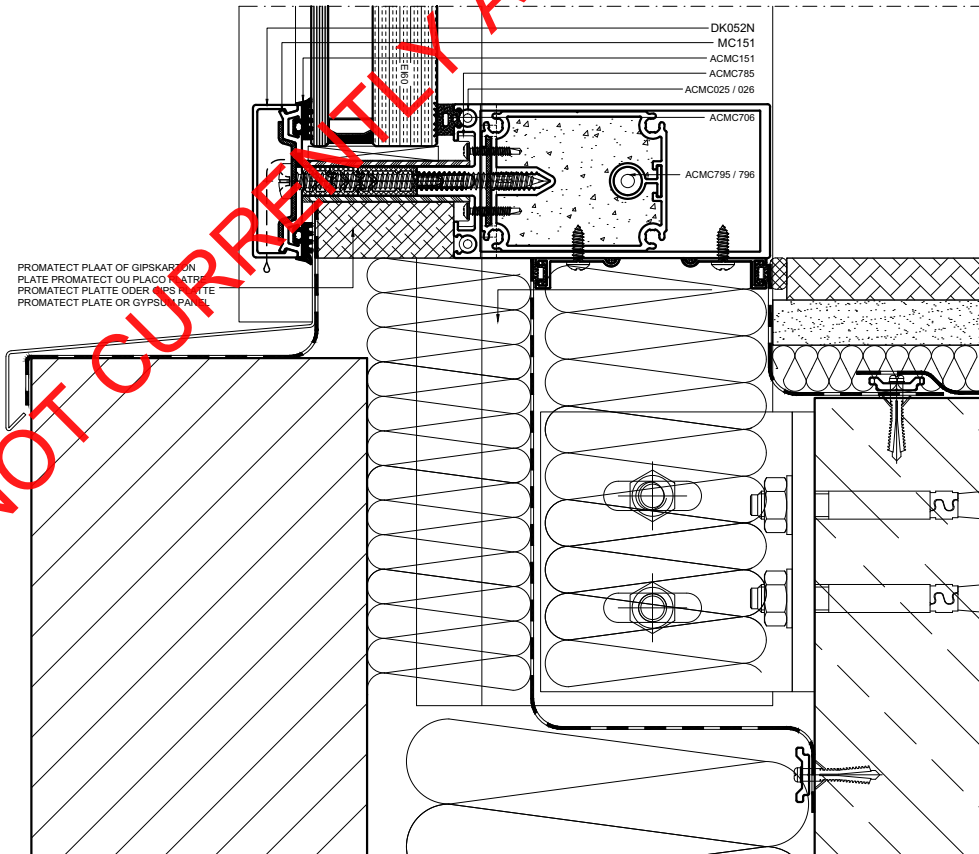


## 11.1



PROMATECT PLAAT OF GIPSKARTON  
 PLATE PROMATECT OU PLACO PLATRE  
 PROMATECT PLATTE ODER GIPS PLATTE  
 PROMATECT PLATE OR GYPSUM PANEL

FLOORWERK 1MM  
 TOLE PLUIE 1MM  
 BLECHE 1MM  
 SHEET 1MM



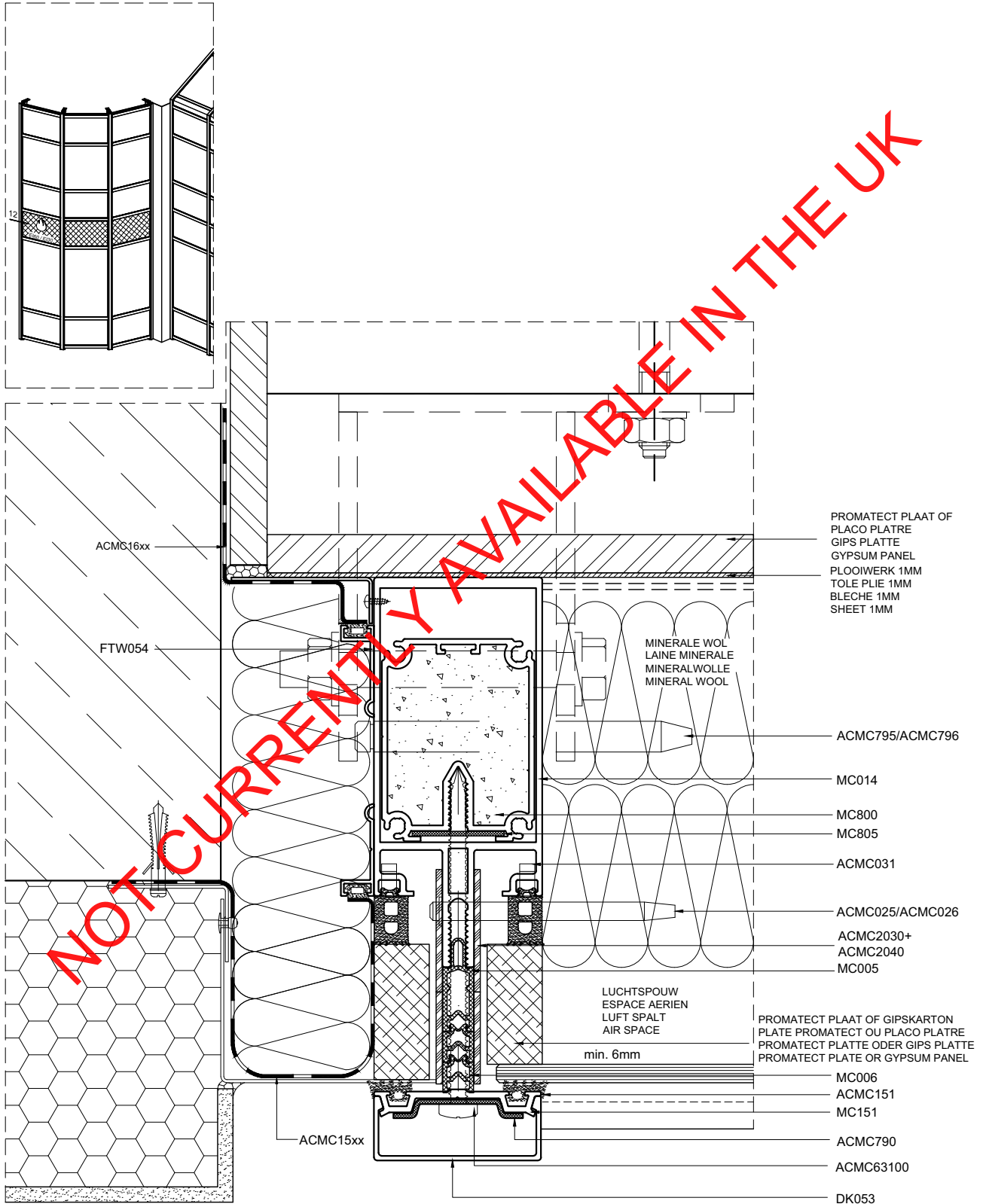
PROMATECT PLAAT OF GIPSKARTON  
 PLATE PROMATECT OU PLACO PLATRE  
 PROMATECT PLATTE ODER GIPS PLATTE  
 PROMATECT PLATE OR GYPSUM PANEL

NOT CURRENTLY AVAILABLE IN THE UK

MCF\_11.1

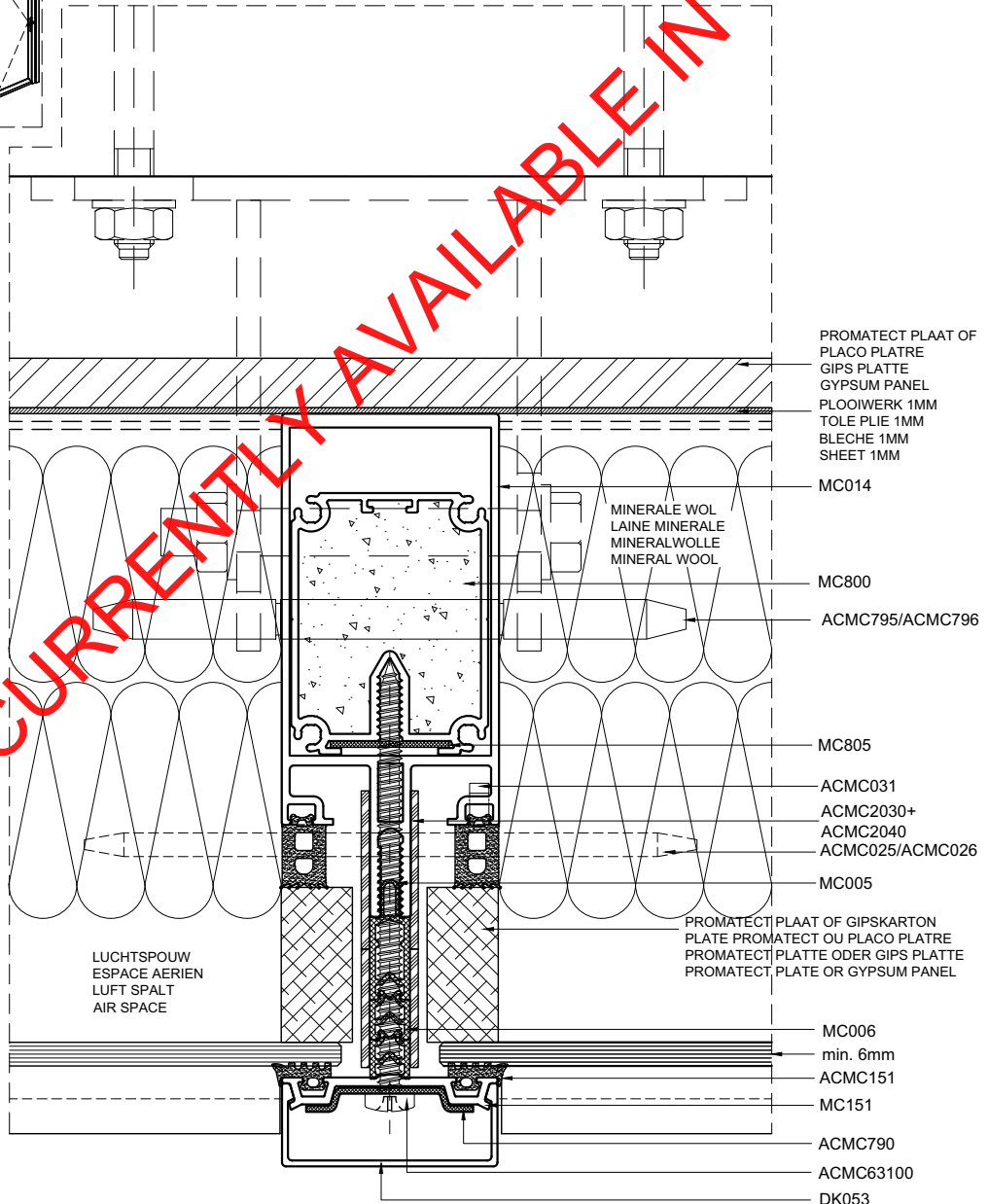
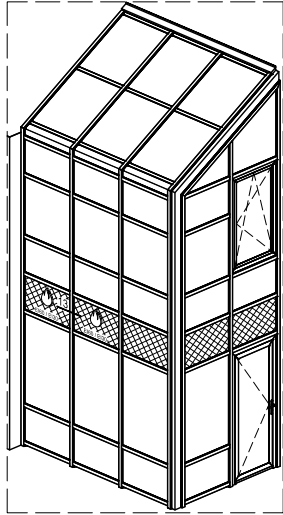
# MC-WALL

## 12.1



MCF\_12.1

## 13.1

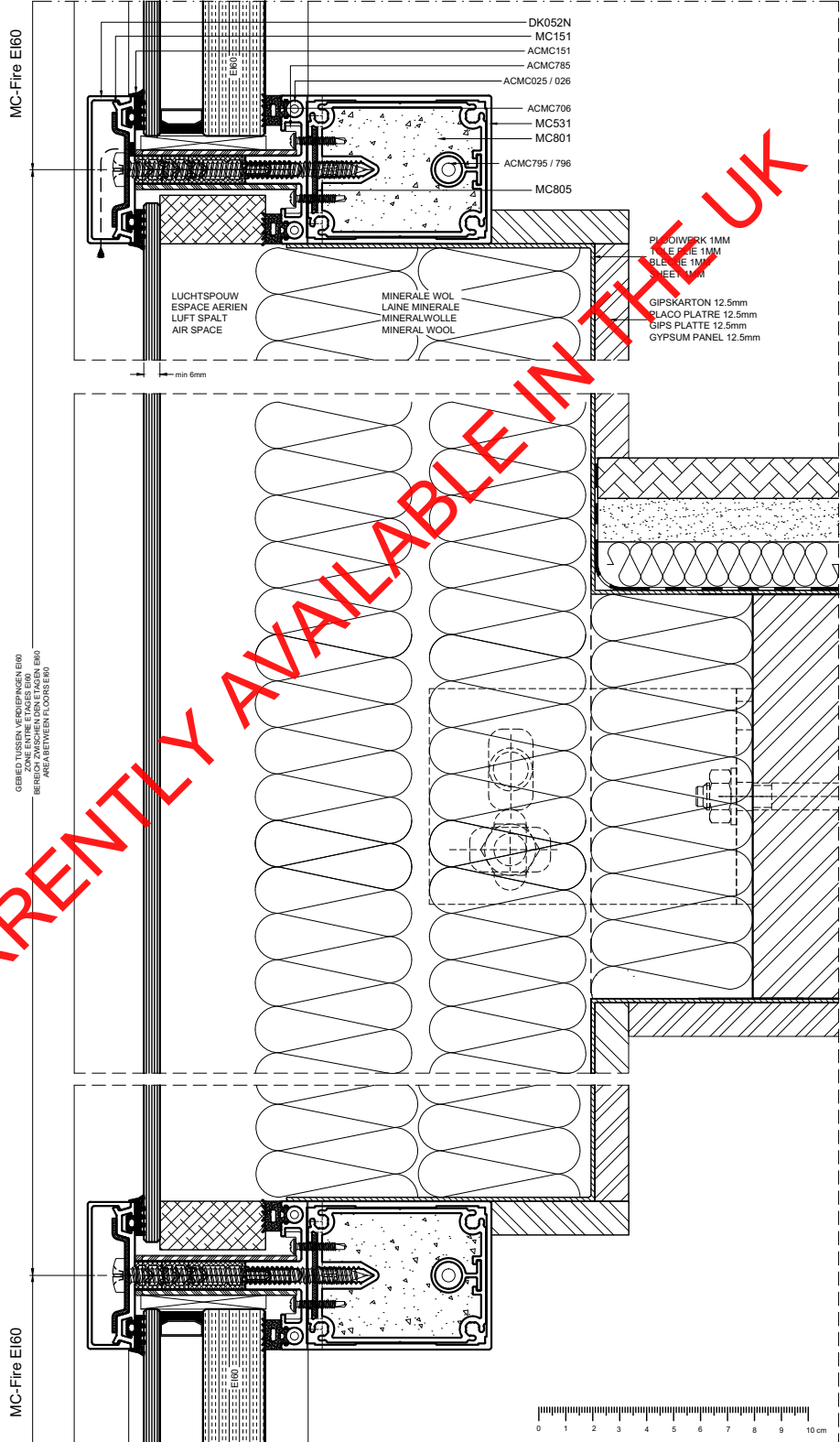
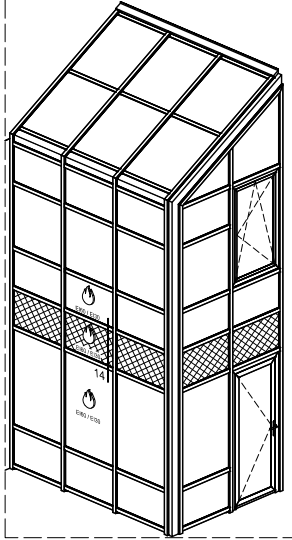


DOORSNEDETEKENINGEN - SECTION DE NOEUDS - PROFILKOMBINATIONEN - SECTION DRAWINGS

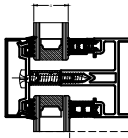
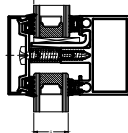
MCF\_13.1

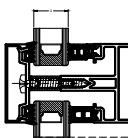
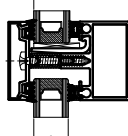
# MC-WALL

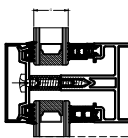
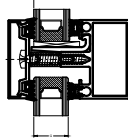
## 14.1

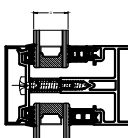
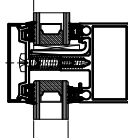


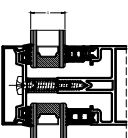
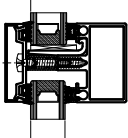
NOT CURRENTLY AVAILABLE IN THE UK

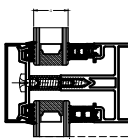
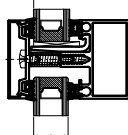
M	STÜLEN MONTANTS PFOSTEN MULLIONS		GLASDIKTE - EPAISSEUR GLAS DICKE - GLASS THICKNESS  D: 25 - 59 mm G: 24 - 29 mm
T	REGELS TRAVERSES RIEGEL TRANSOMS		TABELLEN - TABLEAUX TABELLEN - TABLES  1.1 - 1.4

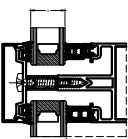
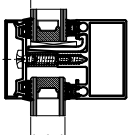
M	STÜLEN MONTANTS PFOSTEN MULLIONS		GLASDIKTE - EPAISSEUR GLAS DICKE - GLASS THICKNESS  D: 30 - 59 mm G: 30 - 34 mm
T	REGELS TRAVERSES RIEGEL TRANSOMS		TABELLEN - TABLEAUX TABELLEN - TABLES  1.5 - 1.7

M	STÜLEN MONTANTS PFOSTEN MULLIONS		GLASDIKTE - EPAISSEUR GLAS DICKE - GLASS THICKNESS  D: 35 - 59 mm G: 35 - 34 mm
T	REGELS TRAVERSES RIEGEL TRANSOMS		TABELLEN - TABLEAUX TABELLEN - TABLES  1.8 - 1.10

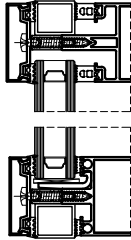
M	STÜLEN MONTANTS PFOSTEN MULLIONS		GLASDIKTE - EPAISSEUR GLAS DICKE - GLASS THICKNESS  D: 40 - 59 mm G: 40 - 44 mm
T	REGELS TRAVERSES RIEGEL TRANSOMS		TABELLEN - TABLEAUX TABELLEN - TABLES  1.8 - 1.10

M	STÜLEN MONTANTS PFOSTEN MULLIONS		GLASDIKTE - EPAISSEUR GLAS DICKE - GLASS THICKNESS  D: 45 - 59 mm G: 45 - 49 mm
T	REGELS TRAVERSES RIEGEL TRANSOMS		TABELLEN - TABLEAUX TABELLEN - TABLES  1.11 - 1.12

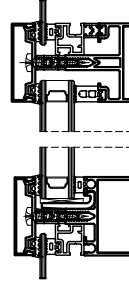
M	STÜLEN MONTANTS PFOSTEN MULLIONS		GLASDIKTE - EPAISSEUR GLAS DICKE - GLASS THICKNESS  D: 50 - 59 mm G: 50 - 54 mm
T	REGELS TRAVERSES RIEGEL TRANSOMS		TABELLEN - TABLEAUX TABELLEN - TABLES  1.8 - 1.10

M	STÜLEN MONTANTS PFOSTEN MULLIONS		GLASDIKTE - EPAISSEUR GLAS DICKE - GLASS THICKNESS  D: 55 - 59 mm G: 55 - 59 mm
T	REGELS TRAVERSES RIEGEL TRANSOMS		TABELLEN - TABLEAUX TABELLEN - TABLES  1.11 - 1.12

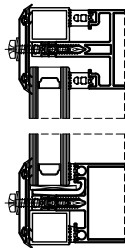
# MC-WALL



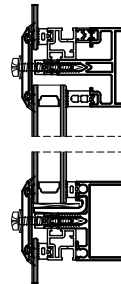
TABELLEN - TABLEUX  
TABELLEN - TABLES  
2.1 - 2.4



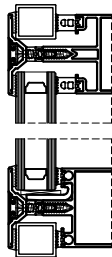
TABELLEN - TABLEUX  
TABELLEN - TABLES  
2.5 - 2.8



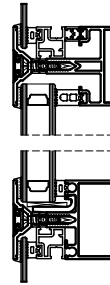
TABELLEN - TABLEUX  
TABELLEN - TABLES  
3.1 - 3.4



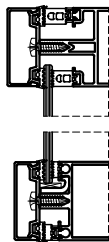
TABELLEN - TABLEUX  
TABELLEN - TABLES  
3.5 - 3.8



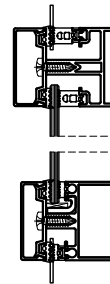
TABELLEN - TABLEUX  
TABELLEN - TABLES  
4.1 - 4.4



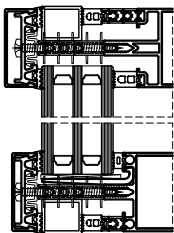
TABELLEN - TABLEUX  
TABELLEN - TABLES  
4.5 - 4.8



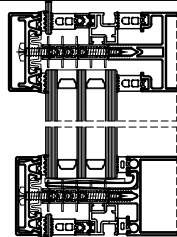
TABELLEN - TABLEUX  
TABELLEN - TABLES  
5.1



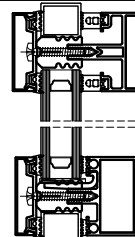
TABELLEN - TABLEUX  
TABELLEN - TABLES  
5.2



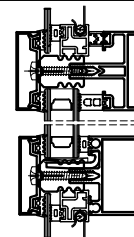
TABELLEN - TABLEUX  
TABELLEN - TABLES  
6.1 - 6.4



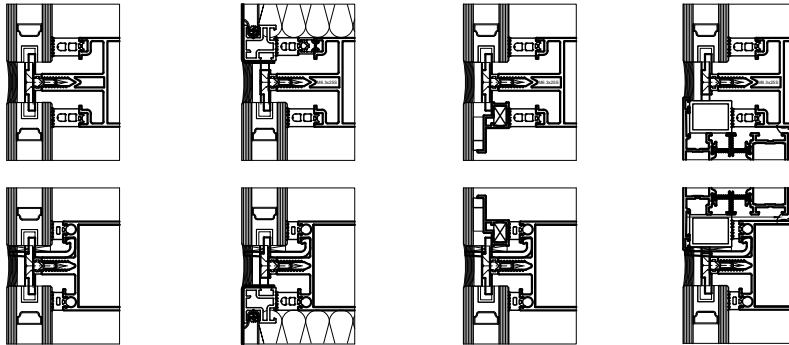
TABELLEN - TABLEUX  
TABELLEN - TABLES  
6.5 - 6.8



TABELLEN - TABLEUX  
TABELLEN - TABLES  
6.9 - 6.12

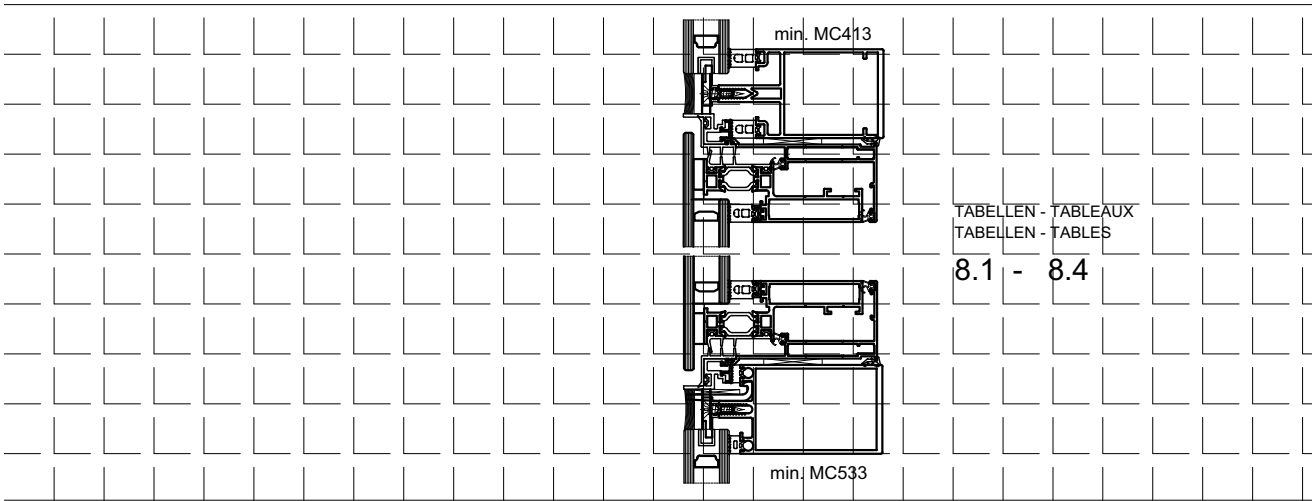


TABELLEN - TABLEUX  
TABELLEN - TABLES  
6.13 - 6.16



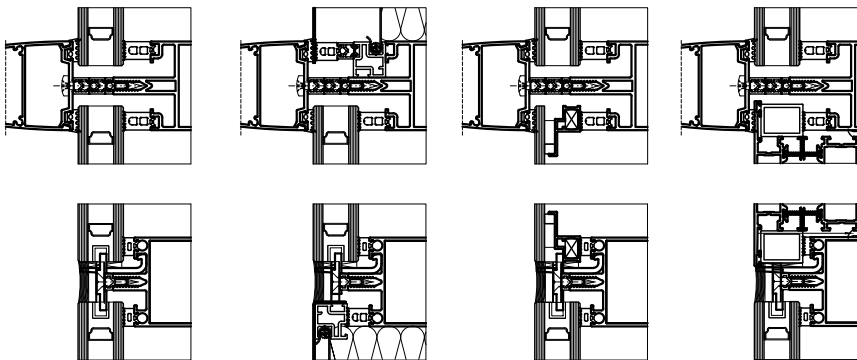
TABELLEN - TABLEUX  
TABELLEN - TABLES

7.1 - 7.7



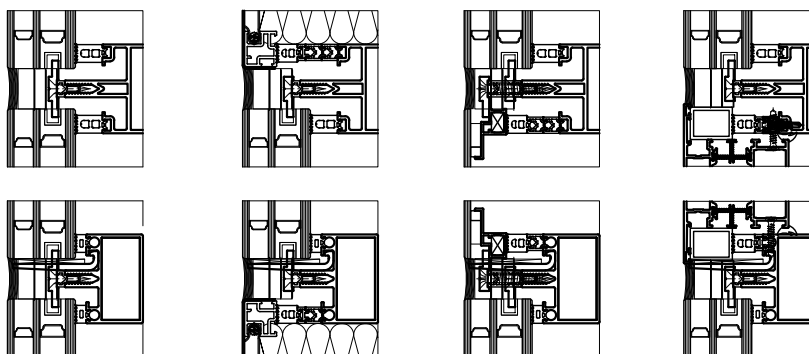
TABELLEN - TABLEUX  
TABELLEN - TABLES

8.1 - 8.4



TABELLEN - TABLEUX  
TABELLEN - TABLES

9.1 - 9.7

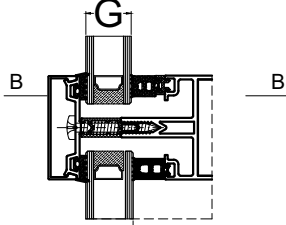
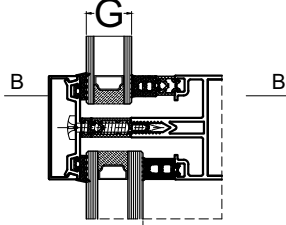
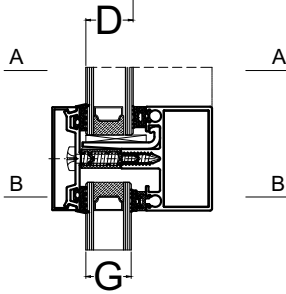
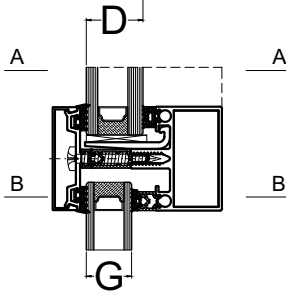




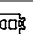
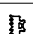
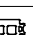
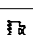
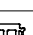
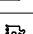
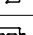
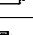
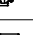


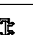
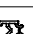
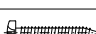


TABELLEN - TABLEUX  
TABELLEN - TABLES

10.1 - 10.6

# MC-WALL

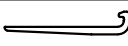




## 1.1

<b>M</b> STIJLEN MONTANTS PFOSTEN MULLIONS																												
	<b>T</b> REGELS TRAVERSES RIEGEL TRANSOMS																											
D [mm]								25	26	27	28	29							30	31	32	33	34					
G [mm]	24	25	26	27	28	29							24	25	26	27	28	29										
DETAIL	B						A						B						A									
ACMC151 3mm 	M/T	M/T	M/T	M/T	M/T	M/T	M/T	M/T	M/T	M/T	M/T	M/T	M/T	M/T	M/T	M/T	M/T	M/T	M/T	M/T								
ACMC702 2mm 	T					T					T					T				T								
ACMC712 12mm 	M					M					M	M				M				M								
ACMC703 3mm 					T					T					T					T								
ACMC713 13mm 					M					M					M					M								
ACMC704 4mm 				T						T				T					T									
ACMC714 14mm 				M						M				M					M									
ACMC705 5mm 			T							T				T					T									
ACMC715 15mm 			M							M				M					M									
ACMC706 6mm 		T								T				T					T									
ACMC716 16mm 		M								M				M					M									
MC009 5mm 	M/T													M/T	M/T	M/T	M/T	M/T										
MC006/MC116 10mm 														M/T														
ACMC2.. 	ACMC231						ACMC233						ACMC233															
MC005/MC005H 21mm 	M/T						M/T						M/T															
MC009/MC009H 5mm 	-						-						M/T															
MC006/MC006 10mm 	-						-						-															
M6.3x... DIN7981 	ACMC6345						ACMC6345						ACMC6350															

MO.1.1



## 1.2

M STIJLEN MONTANTS PFOSTEN MULLIONS	G												G										
	B	B											B	B									
T REGELS TRAVERSES RIEGEL TRANSOMS	D												D										
	A	A											A	A									
				35	36	37	38	39					40	41	42	43	44						
D [mm]																							
G [mm]		24	25	26	27	28	29											24	25	26	27	28	29
DETAIL		B					A					B					A						
ACMC151	3mm	M/T	M/T	M/T	M/T	M/T	M/T	M/T	M/T	M/T	M/T	M/T	M/T	M/T	M/T	M/T	M/T	M/T	M/T	M/T	M/T	M/T	M/T
ACMC702	2mm	T					T					T	T				T					T	
ACMC712	12mm	M					M					M	M				M					M	
ACMC703	3mm					T						T					T					T	
ACMC713	13mm					M						M					M					M	
ACMC704	4mm				T							T					T					T	
ACMC714	14mm				M							M					M					M	
ACMC705	5mm			T								T					T					T	
ACMC715	15mm			M								M					M					M	
ACMC706	6mm		T					T						T				T					
ACMC716	16mm		M					M					M					M					
MC009	5mm	M/T											M/T	M/T	M/T	M/T	M/T						
MC006/MC116	10mm	M/T	M/T	M/T	M/T	M/T	M/T						2xM 2xT	M/T	M/T	M/T	M/T	M/T					
ACMC2..		ACMC234					ACMC235					ACMC235											
MC005/MC005H	21mm 	M/T					M/T					M/T											
MC009/MC009H	5mm 	-					-					M/T											
MC006/MC006	10mm 	M/T					M/T					M/T											
M6.3x... DIN7981		ACMC6350					ACMC6350					ACMC6360											

# MC-WALL

## 1.3

M STIJLEN MONTANTS PFOSTEN MULLIONS																								
T REGELS TRAVERSES RIEGEL TRANSOMS																								
D [mm]							45	46	47	48	49							50	51	52	53	54		
G [mm]	24	25	26	27	28	29							24	25	26	27	28	29						
DETAIL	B						A						B						A					
ACMC151 3mm	M/T	M/T	M/T	M/T	M/T	M/T	M/T	M/T	M/T	M/T	M/T	M/T	M/T	M/T	M/T	M/T	M/T	M/T	M/T	M/T				
ACMC702 2mm	T																				T			
ACMC712 12mm	M											M									M			
ACMC703 3mm																					T			
ACMC713 13mm																					M			
ACMC704 4mm																					T			
ACMC714 14mm																					M			
ACMC705 5mm																					T			
ACMC715 15mm																					M			
ACMC706 6mm																					T			
ACMC716 16mm																					M			
MC009 5mm	M/T																							
MC006/MC116 10mm	2xM 2xT	2xM 2xT	2xM 2xT	2xM 2xT	2xM 2xT	2xM 2xT																		
ACMC2..	ACMC238						ACMC239						ACMC239											
MC005/MC005H 21mm	M/T						M/T						M/T											
MC009/MC009H 5mm	-						-						M/T											
MC006/MC006 10mm	2xM/2xT						2xM/2xT						2xM/2xT											
M6.3x... DIN7981	ACMC6360						ACMC6360						ACMC6370											

MOI.13

## 1.4

<b>M</b>	STIJLEN MONTANTS PFOSTEN MULLIONS											
<b>T</b>	REGELS TRAVERSES RIEGEL TRANSOMS											
D [mm]								55	56	57	58	59
G [mm]		24	25	26	27	28	29					
DETAIL		B						A				
ACMC151 3mm		M/T	M/T	M/T	M/T	M/T	M/T	M/T	M/T	M/T	M/T	M/T
ACMC702 2mm		T					T					T
ACMC712 12mm		M					M					M
ACMC703 3mm						T					T	
ACMC713 13mm						M					M	
ACMC704 4mm					T					T		
ACMC714 14mm					M					M		
ACMC705 5mm				T						T		
ACMC715 15mm				M						M		
ACMC706 6mm			T							T		
ACMC716 16mm			M							M		
MC009 5mm		M/T										
MC006/MC116 10mm		3xM 3xT	3xM 3xT	3xM 3xT	3xM 3xT	3xM 3xT	3xM 3xT					
ACMC2..		ACMC240										
MC005/MC005H 21mm		M/T										
MC009/MC009H 5mm		-										
MC006/MC006 10mm		3xM/3xT										
M6.3x... DIN7981		ACMC6370										

# MC-WALL

## 1.5

M STIJLEN MONTANTS PFOSTEN MULLIONS																				
	T REGELS TRAVERSES RIEGEL TRANSOMS																			
D [mm]							30	31	32	33	34						35	36	37	38
G [mm]	30	31	32	33	34						30	31	32	33	34					
DETAIL	B					A					B					A				
ACMC151 3mm	M/T	M/T	M/T	M/T	M/T	M/T	M/T	M/T	M/T	M/T	M/T	M/T	M/T	M/T	M/T	M/T	M/T	M/T	M/T	
ACMC702 2mm					T										T					T
ACMC712 12mm					M										M					M
ACMC703 3mm				T									T							T
ACMC713 13mm				M									M							M
ACMC704 4mm			T									T								T
ACMC714 14mm			M									M								M
ACMC705 5mm		T										T								T
ACMC715 15mm		M										M								M
ACMC706 6mm	T											T								T
ACMC716 16mm	M											M								M
MC009 5mm												M/T	M/T	M/T	M/T	M/T				
MC006/MC116 10mm																				
ACMC2..	ACMC233					ACMC234					ACMC234					ACMC234				
MC005/MC005H 21mm	M/T					M/T					M/T					M/T				
MC009/MC009H 5mm	M/T					M/T					-					-				
MC006/MC006 10mm	-					-					M/T					M/T				
M6.3x... DIN7981	ACMC6350					ACMC6350					ACMC6350					ACMC6350				

MOI\_1.5

## 1.6

M STIJLEN MONTANTS PFOSTEN MULLIONS																				
	T REGELS TRAVERSES RIEGEL TRANSOMS																			
D [mm]							40	41	42	43	44						45	46	47	48
G [mm]	30	31	32	33	34						30	31	32	33	34					
DETAIL	B					A					B					A				
ACMC151 3mm	M/T	M/T	M/T	M/T	M/T	M/T	M/T	M/T	M/T	M/T	M/T	M/T	M/T	M/T	M/T	M/T	M/T	M/T	M/T	
ACMC702 2mm					T										T					T
ACMC712 12mm					M					M					M					M
ACMC703 3mm					T					T					T					T
ACMC713 13mm					M					M					M					M
ACMC704 4mm					T					T					T					T
ACMC714 14mm					M					M					M					M
ACMC705 5mm					T					T					T					T
ACMC715 15mm					M					M					M					M
ACMC706 6mm	T					T					T					T				
ACMC716 16mm	M					M					M					M				
MC009 5mm											M/T	M/T	M/T	M/T	M/T					
MC006/MC116 10mm	M/T	M/T	M/T	M/T	M/T						M/T	M/T	M/T	M/T	M/T					
ACMC2..	ACMC235					ACMC238					ACMC238					ACMC238				
MC005/MC005H 21mm	M/T					M/T					M/T					M/T				
MC009/MC009H 5mm	M/T					M/T					-					-				
MC006/MC006 10mm	M/T					M/T					2xM/2xT					2xM/2xT				
M6.3x... DIN7981	ACMC6360					ACMC6360					ACMC6360					ACMC6360				

# MC-WALL

## 1.7

M STIJLEN MONTANTS PFOSTEN MULLIONS																				
	T REGELS TRAVERSES RIEGEL TRANSOMS																			
D [mm]							50	51	52	53	54						55	56	57	58
G [mm]	30	31	32	33	34						30	31	32	33	34					
DETAIL	B					A					B					A				
ACMC151 3mm	M/T	M/T	M/T	M/T	M/T	M/T	M/T	M/T	M/T	M/T	M/T	M/T	M/T	M/T	M/T	M/T	M/T	M/T	M/T	
ACMC702 2mm					T					T					T					T
ACMC712 12mm					M					M					M					M
ACMC703 3mm					T					T					T					T
ACMC713 13mm					M					M					M					M
ACMC704 4mm					T					T					T					T
ACMC714 14mm					M					M					M					M
ACMC705 5mm					T					T					T					T
ACMC715 15mm					M					M					M					M
ACMC706 6mm	T					T					T					T				
ACMC716 16mm	M					M					M					M				
MC009 5mm											M/T	M/T	M/T	M/T	M/T					
MC006/MC116 10mm	2xM	2xM	2xM	2xM	2xM	2xT	2xT	2xT	2xT	2xT	2xM	2xM	2xM	2xM	2xM	2xT	2xT	2xT	2xT	
ACMC2..	ACMC239					ACMC240					ACMC240					ACMC240				
MC005/MC005H 21mm	M/T					M/T					M/T					M/T				
MC009/MC009H 5mm	M/T					M/T					-					-				
MC006/MC006 10mm	2xM/2xT					2xM/2xT					3xM/3xT					3xM/3xT				
M6.3x... DIN7981	ACMC6370					ACMC6370					ACMC6370					ACMC6370				

MO.17

## 1.8

M STIJLEN MONTANTS PFOSTEN MULLIONS																				
	T REGELS TRAVERSES RIEGEL TRANSOMS																			
D [mm]							35	36	37	38	39						40	41	42	43
G [mm]	35	36	37	38	39						35	36	37	38	39					
DETAIL	B					A					B					A				
ACMC151 3mm	M/T	M/T	M/T	M/T	M/T	M/T	M/T	M/T	M/T	M/T	M/T	M/T	M/T	M/T	M/T	M/T	M/T	M/T	M/T	
ACMC702 2mm					T										T					T
ACMC712 12mm					M					M					M					M
ACMC703 3mm				T										T						T
ACMC713 13mm				M						M					M					M
ACMC704 4mm			T											T						T
ACMC714 14mm			M							M					M					M
ACMC705 5mm		T												T						T
ACMC715 15mm		M								M					M					M
ACMC706 6mm	T																			
ACMC716 16mm	M									M					M					M
MC009 5mm											M/T	M/T	M/T	M/T	M/T					
MC006/MC116 10mm																				
ACMC2..	ACMC234					ACMC235					ACMC235					ACMC235				
MC005/MC005H 21mm	M/T					M/T					M/T					M/T				
MC009/MC009H 5mm	-					-					M/T					M/T				
MC006/MC006 10mm	M/T					M/T					M/T					M/T				
M6.3x... DIN7981	ACMC6350					ACMC6350					ACMC6360					ACMC6360				

# MC-WALL

## 1.9

M STIJLEN MONTANTS PFOSTEN MULLIONS																				
	T REGELS TRAVERSES RIEGEL TRANSOMS																			
D [mm]							45	46	47	48	49						50	51	52	53
G [mm]	35	36	37	38	39						35	36	37	38	39					
DETAIL	B					A					B					A				
ACMC151 3mm	M/T	M/T	M/T	M/T	M/T	M/T	M/T	M/T	M/T	M/T	M/T	M/T	M/T	M/T	M/T	M/T	M/T	M/T	M/T	
ACMC702 2mm					T					T					T					T
ACMC712 12mm					M					M					M					M
ACMC703 3mm					T					T					T					T
ACMC713 13mm					M					M					M					M
ACMC704 4mm					T					T					T					T
ACMC714 14mm					M					M					M					M
ACMC705 5mm					T					T					T					T
ACMC715 15mm					M					M					M					M
ACMC706 6mm	T					T					T					T				
ACMC716 16mm	M					M					M					M				
MC009 5mm											M/T	M/T	M/T	M/T	M/T					
MC006/MC116 10mm	M/T	M/T	M/T	M/T	M/T						M/T	M/T	M/T	M/T	M/T					
ACMC2..	ACMC238										ACMC239									
MC005/MC005H 21mm	M/T										M/T									
MC009/MC009H 5mm	-										M/T									
MC006/MC006 10mm	2xM/2xT										2xM/2xT									
M6.3x... DIN7981	ACMC6360										ACMC6370									

MO.1.9



## 1.10

<b>M</b>	STIJLEN MONTANTS PPOSTEN MULLIONS										
<b>T</b>	REGELS TRAVERSES RIEGEL TRANSOMS										
D [mm]						55	56	57	58	59	
G [mm]		35	36	37	38	39					
DETAIL		B					A				
ACMC151 3mm		M/T	M/T	M/T	M/T	M/T	M/T	M/T	M/T	M/T	
ACMC702 2mm										T	
ACMC712 12mm						M				M	
ACMC703 3mm					T				T		
ACMC713 13mm					M				M		
ACMC704 4mm				T				T			
ACMC714 14mm				M				M			
ACMC705 5mm			T					T			
ACMC715 15mm			M					M			
ACMC706 6mm		T						T			
ACMC716 16mm		M						M			
MC009 5mm											
MC006/MC116 10mm		2xM 2xT	2xM 2xT	2xM 2xT	2xM 2xT	2xM 2xT					
ACMC2.		ACMC240									
MC005/MC005H 21mm		M/T									
MC009/MC009H 5mm		-									
MC006/MC006 10mm		3xM/3xT									
M6.3x... DIN7981		ACMC6370									

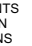


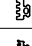
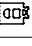
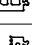

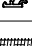

# MC-WALL

## 1.11

M STIJLEN MONTANTS PFOSTEN MULLIONS																				
	T REGELS TRAVERSES RIEGEL TRANSOMS																			
D [mm]							40	41	42	43	44						45	46	47	48
G [mm]	40	41	42	43	44						40	41	42	43	44					
DETAIL	B					A					B					A				
ACMC151 3mm	M/T	M/T	M/T	M/T	M/T	M/T	M/T	M/T	M/T	M/T	M/T	M/T	M/T	M/T	M/T	M/T	M/T	M/T	M/T	
ACMC702 2mm																				T
ACMC712 12mm																				M
ACMC703 3mm																				T
ACMC713 13mm																				M
ACMC704 4mm																				T
ACMC714 14mm																				M
ACMC705 5mm																				T
ACMC715 15mm																				M
ACMC706 6mm	T																			T
ACMC716 16mm	M																			M
MC009 5mm																				M/T
MC006/MC116 10mm																				M/T
ACMC2..	ACMC235										ACMC238									
MC005/MC005H 21mm	M/T										M/T									
MC009/MC009H 5mm	M/T										-									
MC006/MC006 10mm	M/T										2xM/2xT									
M6.3x... DIN7981	ACMC6360										ACMC6360									

MO\_1.11

## 1.12

M STIJLEN MONTANTS PPOSTEN MULLIONS	G		B		D		50 51 52 53 54					55 56 57 58 59								
	G		B		D															
T REGELS TRAVERSES RIEGEL TRANSOMS	G		B		D		40 41 42 43 44					40 41 42 43 44								
	G		B		D															
D [mm]						50 51 52 53 54					55 56 57 58 59									
G [mm]	40	41	42	43	44						40	41	42	43	44					
DETAIL	B					A					B					A				
ACMC151 3mm 	M/T	M/T	M/T	M/T	M/T	M/T	M/T	M/T	M/T	M/T	M/T	M/T	M/T	M/T	M/T	M/T	M/T	M/T	M/T	M/T
ACMC702 2mm 					T					T					T					T
ACMC712 12mm 					M					M					M					M
ACMC703 3mm 					T					T					T					T
ACMC713 13mm 					M					M					M					M
ACMC704 4mm 					T					T					T					T
ACMC714 14mm 					M					M					M					M
ACMC705 5mm 					T					T					T					T
ACMC715 15mm 					M					M					M					M
ACMC706 6mm					T					T					T					T
ACMC716 16mm					M					M					M					M
MC009 5mm											M/T	M/T	M/T	M/T	M/T					
MC006/MC116 10mm	M/T	M/T	M/T	M/T	M/T						M/T	M/T	M/T	M/T	M/T					
ACMC2..	ACMC239					ACMC240					ACMC240									
MC005/MC005H 21mm	M/T					M/T					M/T									
MC009/MC009H 5mm	M/T					-					-									
MC006/MC006 10mm	2xM/2xT					3xM/3xT					3xM/3xT									
M6.3x... DIN7981	ACMC6370					ACMC6370					ACMC6370									

MOI.112

# MC-WALL

## 1.13

M STIJLEN MONTANTS PFOSTEN MULLIONS																				
	T REGELS TRAVERSES RIEGEL TRANSOMS																			
D [mm]							45	46	47	48	49						50	51	52	53
G [mm]	45	46	47	48	49						45	46	47	48	49					
DETAIL	B					A					B					A				
ACMC151 3mm	M/T	M/T	M/T	M/T	M/T	M/T	M/T	M/T	M/T	M/T	M/T	M/T	M/T	M/T	M/T	M/T	M/T	M/T	M/T	
ACMC702 2mm					T					T					T				T	
ACMC712 12mm					M					M					M				M	
ACMC703 3mm					T					T					T				T	
ACMC713 13mm					M					M					M				M	
ACMC704 4mm					T					T					T				T	
ACMC714 14mm					M					M					M				M	
ACMC705 5mm					T					T					T				T	
ACMC715 15mm					M					M					M				M	
ACMC706 6mm	T					T					T				T					
ACMC716 16mm	M					M					M				M					
MC009 5mm											M/T	M/T	M/T	M/T	M/T					
MC006/MC116 10mm																				
ACMC2..	ACMC238										ACMC239									
MC005/MC005H 21mm	M/T										M/T									
MC009/MC009H 5mm	-										M/T									
MC006/MC006 10mm	2xM/2xT										2xM/2xT									
M6.3x... DIN7981	ACMC6360										ACMC6370									

MOI\_113

## 1.14

M	STIJLEN MONTANTS PPOSTEN MULLIONS										
T	REGELS TRAVERSES RIEGEL TRANSOMS										
D [mm]						55	56	57	58	59	
G [mm]	45	46	47	48	49						
DETAIL	B					A					
ACMC151 3mm	M/T	M/T	M/T	M/T	M/T	M/T	M/T	M/T	M/T	M/T	
ACMC702 2mm					T					T	
ACMC712 12mm					M					M	
ACMC703 3mm				T					T		
ACMC713 13mm				M					M		
ACMC704 4mm			T					T			
ACMC714 14mm			M					M			
ACMC705 5mm		T					T				
ACMC715 15mm		M					M				
ACMC706 6mm	T					T					
ACMC716 16mm	M					M					
MC009 5mm											
MC006/MC116 10mm	M/T	M/T	M/T	M/T	M/T						
ACMC2.	ACMC240										
MC005/MC005H 21mm	M/T										
MC009/MC009H 5mm	-										
MC006/MC006 10mm	3xM/3xT										
M6.3x... DIN7981	ACMC6370										

# MC-WALL

## 1.15

M STIJLEN MONTANTS PFOSTEN MULLIONS																				
	T REGELS TRAVERSES RIEGEL TRANSOMS																			
D [mm]							50	51	52	53	54						55	56	57	58
G [mm]	50	51	52	53	54						50	51	52	53	54					
DETAIL	B					A					B					A				
ACMC151 3mm	M/T	M/T	M/T	M/T	M/T	M/T	M/T	M/T	M/T	M/T	M/T	M/T	M/T	M/T	M/T	M/T	M/T	M/T	M/T	
ACMC702 2mm					T									T					T	
ACMC712 12mm					M									M					M	
ACMC703 3mm					T									T					T	
ACMC713 13mm					M									M					M	
ACMC704 4mm					T									T					T	
ACMC714 14mm					M									M					M	
ACMC705 5mm					T									T					T	
ACMC715 15mm					M									M					M	
ACMC706 6mm	T					T					T					T				
ACMC716 16mm	M					M					M					M				
MC009 5mm											M/T	M/T	M/T	M/T	M/T					
MC006/MC116 10mm																				
ACMC2..						ACMC239										ACMC240				
MC005/MC005H 21mm						M/T										M/T				
MC009/MC009H 5mm						M/T										-				
MC006/MC006 10mm						2xM/2xT										3xM/3xT				
M6.3x... DIN7981						ACMC6370										ACMC6370				

MOI\_115

## 1.16

M	STIJLEN MONTANTS PPOSTEN MULLIONS										
T	REGELS TRAVERSES RIEGEL TRANSOMS										
D [mm]						55	56	57	58	59	
G [mm]		55	56	57	58	59					
DETAIL		B					A				
ACMC151 3mm		M/T	M/T	M/T	M/T	M/T	M/T	M/T	M/T	M/T	M/T
ACMC702 2mm											T
ACMC712 12mm						M					M
ACMC703 3mm					T					T	
ACMC713 13mm					M					M	
ACMC704 4mm				T					T		
ACMC714 14mm				M					M		
ACMC705 5mm			T						T		
ACMC715 15mm			M						M		
ACMC706 6mm		T							T		
ACMC716 16mm		M							M		
MC009 5mm											
MC006/MC116 10mm											
ACMC2.		ACMC240									
MC005/MC005H 21mm		M/T									
MC009/MC009H 5mm		-									
MC006/MC006 10mm		3xM/3xT									
M6.3x... DIN7981		ACMC6370									

# MC-WALL

## 2.1

D [mm]	24		25		26		27		28		29	
DETAIL	A	B	A	B	A	B	A	B	A	B	A	B
ACMC151 3mm	M/T	M/T	M/T	M/T	M/T	M/T	M/T	M/T	M/T	M/T	M/T	M/T
ACMC702 2mm												T
ACMC712 12mm												M
ACMC703 3mm				T		T		T	T	T		T
ACMC713 13mm				M		M		M	M	M		M
ACMC704 4mm		T					T					
ACMC714 14mm		M					M					
ACMC705 5mm					T							
ACMC715 15mm					M							
ACMC706 6mm	T		T									
ACMC716 16mm	M		M									
MC165		M/T										
MC166				M/T		M/T		M/T		M/T		M/T
MC006 10mm												
ACMC2...	ACMC231											
MC005/MC005H 21mm	-											M/T
MC008/MC008H 5mm	M/T											-
MC009/MC009H 5mm	M/T											-
MC006/MC006 10mm	M/T											-
ACMC720 7mm												-
M6.3x... DIN7981	ACMC6338											ACMC6345

MO\_2.1



## 2.2

M STIJLEN MONTANTS PFOSTEN MULLIONS																					
	A					A															
T REGELS TRAVERSES RIEGEL TRANSOMS																					
D [mm]		30		31		32		33		34		35		36		37		38		39	
DETAIL		A	B	A	B	A	B	A	B	A	B	A	B	A	B	A	B	A	B	A	B
ACMC151	3mm	M/T	M/T	M/T	M/T	M/T	M/T	M/T	M/T	M/T	M/T	M/T	M/T	M/T	M/T	M/T	M/T	M/T	M/T	M/T	M/T
ACMC702	2mm									T										T	
ACMC712	12mm									M										M	
ACMC703	3mm		T		T		T	T	T		T						T				
ACMC713	13mm		M		M		M	M	M		M		M/T		M/T		M/T	M	M/T		M/T
ACMC704	4mm					T									T						
ACMC714	14mm					M									M						
ACMC705	5mm			T									T								
ACMC715	15mm			M									M								
ACMC706	6mm	T										T									
ACMC716	16mm	M										M									
MC166			M/T		M/T		M/T		M/T		M/T		M/T		M/T		M/T		M/T		M/T
MC009	5mm		M/T		M/T		M/T		M/T		M/T										
MC006	10mm											M	M	M	M	M	M	M	M	M	M
ACMC2..		ACMC233					ACMC234					ACMC234									
MC005/MC005H	21mm	M/T					M/T					M/T									
MC008/MC008H	5mm	-					-					-									
MC009/MC009H	5mm	M/T					M/T					M/T									
MC006/MC006	10mm	-					-					M/T									
ACMC720	7mm	-					-					-									
M6.3x... DIN7981		ACMC6350					ACMC6350					ACMC6350									



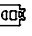



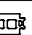
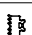
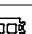
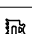
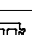

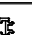
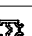



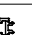

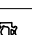

# MC-WALL

## 2.3

M STIJLEN MONTANTS PFOSTEN MULLIONS																					
	A					A															
T REGLS TRAVERSES RIEGEL TRANSOMS																					
D [mm]		40		41		42		43		44		45		46		47		48		49	
DETAIL		A	B	A	B	A	B	A	B	A	B	A	B	A	B	A	B	A	B	A	B
ACMC151	3mm	M/T	M/T	M/T	M/T	M/T	M/T	M/T	M/T	M/T	M/T	M/T	M/T	M/T	M/T	M/T	M/T	M/T	M/T	M/T	M/T
ACMC702	2mm									T										T	
ACMC712	12mm									M										M	
ACMC703	3mm							T										T			
ACMC713	13mm		M/T		M/T		M/T	M	M/T		M/T		M/T		M/T		M	M/T		M/T	
ACMC704	4mm					T										T					
ACMC714	14mm					M										M					
ACMC705	5mm			T												T					
ACMC715	15mm			M												M					
ACMC706	6mm	T										T									
ACMC716	16mm	M										M									
MC166			M/T		M/T		M/T		M/T		M/T		M/T		M/T		M/T		M/T		M/T
MC009	5mm		M/T		M/T		M/T		M/T		M/T										
MC006	10mm		M		M		M		M		M		2xM/T		2xM/T		2xM/T		2xM/T		2xM/T
ACMC2..		ACMC235					ACMC238														
MC005/MC005H	21mm	M/T					M/T														
MC008/MC008H	5mm	-					-														
MC009/MC009H	5mm	M/T					-														
MC006/MC006	10mm	M/T					2x M/2x T														
ACMC720	7mm	-					-														
M6.3x... DIN7981		ACMC6360					ACMC6360														

MO\_23

## 2.4

M STIJLEN MONTANTS PFOSTEN MULLIONS	B		B		B		B		B		B		B							
	A		A		A		A		A		A		A							
T REGLS TRAVERSES RIEGEL TRANSOMS	B		B		B		B		B		B		B							
	A		A		A		A		A		A		A							
D [mm]	50		51		52		53		54		55		56		57		58		59	
DETAIL	A	B	A	B	A	B	A	B	A	B	A	B	A	B	A	B	A	B	A	B
ACMC151 3mm 	M/T	M/T	M/T	M/T	M/T	M/T	M/T	M/T	M/T	M/T	M/T	M/T	M/T	M/T	M/T	M/T	M/T	M/T	M/T	M/T
ACMC702 2mm 									T										T	
ACMC712 12mm 									M										M	
ACMC703 3mm 							T										T			
ACMC713 13mm 		M/T		M/T		M/T	M	M/T		M/T		M/T		M/T		M	M/T		M/T	
ACMC704 4mm 					T								T							
ACMC714 14mm 					M										M					
ACMC705 5mm 			T										T							
ACMC715 15mm 			M										M							
ACMC706 6mm 	T										T									
ACMC716 16mm 	M										M									
MC166 		M/T		M/T		M/T		M/T		M/T		M/T		M/T		M/T		M/T		M/T
MC009 5mm 		M/T		M/T		M/T		M/T		M/T										
MC006 10mm 		2xM/ T		2xM/ T		2xM/ T		2xM/ T		2xM/ T		3xM/ 2xT		3xM/ 2xT		3xM/ 2xT		3xM/ 2xT		3xM/ 2xT
ACMC2.. 	ACMC239										ACMC240									
MC005/MC005H 21mm 	M/T										M/T									
MC008/MC008H 5mm 	-										-									
MC009/MC009H 5mm 	M/T										-									
MC006/MC006 10mm 	2x M/2x T										3x M/3x T									
ACMC720 7mm 	-										-									
M6.3x... DIN7981 	ACMC6370										ACMC6370									

# MC-WALL

## 2.5

M STIJLEN MONTANTS PFOSTEN MULLIONS																				
	T REGELS TRAVERSES RIEGEL TRANSOMS																			
D [mm]	24								25	26	27	28	29							
G [mm]		0	1	2	3	4	6	8						0	1	2	3	4	6	8
DETAIL	A	B							A					B						
ACMC151 3mm	M/T	M/T	M/T	M/T	M/T	M/T	M/T	M/T	M/T	M/T	M/T	M/T	M/T	M/T	M/T	M/T	M/T	M/T	M/T	
ACMC702 2mm					M/T			M/T					T				T	M	2xT	
ACMC712 12mm												M					M	M		
ACMC703 3mm				M/T							T				M/T				M/T	
ACMC713 13mm											M									
ACMC704 4mm			M/T				M/T				T				M/T		M/T			
ACMC714 14mm											M									
ACMC705 5mm		M/T									T				M/T					
ACMC715 15mm											M									
ACMC706 6mm	T					M/T			T					M/T						
ACMC716 16mm	M								M											
MC007 20x22mm		M/T	M/T	M/T	M/T	M/T	M/T	M/T						M/T	M/T	M/T	M/T	M/T	M/T	
MC009 5mm		M/T	M/T	M/T	M/T									M/T	M/T	M/T	M/T			
MC006 10mm		M	M	M	M	M	M	M						M	M	M	M		M	
ACMC2..	ACMC231								ACMC231											
MC005/MC005H 21mm	-								M/T											
MC008/MC008H 5mm	M/T								-											
MC009/MC009H 5mm	M/T								-											
MC006/MC006 10mm	M/T								-											
ACMC720 7mm	-								-											
M6.3x... DIN7981	ACMC6338								ACMC6345											

MO\_2.5

## 2.6

M STÜLEN MONTANTS PFOSTEN MULLIONS																																
	T REGELS TRAVERSES RIEGEL TRANSOMS																															
D [mm]	30	31	32	33	34									35	36	37	38	39														
G [mm]						0	1	2	3	4	6	8									0	1	2	3	4	6	8					
DETAIL	A					B								A					B													
ACMC151 3mm	M/T	M/T	M/T	M/T	M/T	M/T	M/T	M/T	M/T	M/T	M/T	M/T	M/T	M/T	M/T	M/T	M/T	M/T	M/T	M/T	M/T	M/T	M/T	M/T	M/T	M/T	M/T	M/T				
ACMC702 2mm					T										M/T													M/T				
ACMC712 12mm					M																							M				
ACMC703 3mm				T															T													
ACMC713 13mm				M						M/T																M/T						
ACMC704 4mm			T								M/T								T									M/T				
ACMC714 14mm			M							M/T									M							M/T						
ACMC705 5mm		T																	T													
ACMC715 15mm		M								M/T									M							M/T						
ACMC706 6mm	T									M	T	T	T												M	T	T					
ACMC716 16mm	M					M/T				M	M	M	M			M/T								M	M	M						
MC007 20x22mm						M/T	M/T	M/T	M/T	M/T	M/T	M/T												M/T	M/T	M/T	M/T	M/T				
MC009 5mm																								M/T	M/T	M/T	M/T	M/T				
MC006 10mm						M	M	M	M															M	M	M	M					
ACMC2..	ACMC233																ACMC234															
MC005/MC005H 21mm	M/T																M/T															
MC008/MC008H 5mm	-																-															
MC009/MC009H 5mm	M/T																-															
MC006/MC006 10mm	-																M/T															
ACMC720 7mm	-																-															
M6.3x... DIN7981	ACMC6350																ACMC6350															

BEGLAZINGSTABELLEN - TABLEAUX DE VITRAGES - VERGLASUNGSTABELLE - GLAZING TABLES

# MC-WALL

## 2.7

M STÜLEN MONTANTS PFOSTEN MULLIONS															T REGELS TRAVERSES RIEGEL TRANSOMS														
	40 41 42 43 44					0 1 2 3 4 6 8					45 46 47 48 49					0 1 2 3 4 6 8													
DETAIL	A					B					A					B													
ACMC151 3mm	M/T	M/T	M/T	M/T	M/T	M/T	M/T	M/T	M/T	M/T	M/T	M/T	M/T	M/T	M/T	M/T	M/T	M/T	M/T	M/T	M/T	M/T	M/T	M/T					
ACMC702 2mm					T												T												
ACMC712 12mm					M							M/T					M							M/T					
ACMC703 3mm				T												T													
ACMC713 13mm				M						M/T						M						M/T							
ACMC704 4mm			T													T													
ACMC714 14mm			M						M/T		M/T					M					M/T		M/T						
ACMC705 5mm		T														T													
ACMC715 15mm		M							M/T							M					M/T								
ACMC706 6mm	T									T	T	T										T	T	T					
ACMC716 16mm	M					M/T				2xM T	M	M	M					M/T				2xM T	M	M					
MC007 20x22mm						M/T	M/T	M/T	M/T	M/T	M/T	M/T						M/T	M/T	M/T	M/T	M/T	M/T	M/T					
MC009 5mm																		M/T	M/T	M/T	M/T	M/T	M/T	M/T					
MC006 10mm						2xM T	2xM T	2xM T	2xM T									2xM T	2xM T	2xM T	2xM T								
ACMC2..	ACMC235											ACMC238																	
MC005/MC005H 21mm	M/T											M/T																	
MC008/MC008H 5mm	-											-																	
MC009/MC009H 5mm	M/T											-																	
MC006/MC006 10mm	M/T											2x M/2x T																	
ACMC720 7mm	-											-																	
M6.3x... DIN7981	ACMC6360											ACMC6360																	

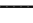


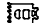

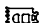

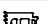
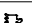
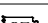
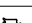
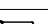




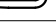
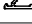

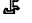



MC0.2.7

## 2.8

M STÜLEN MONTANTS POSTEN MULLIONS																												
	T REGLÉS TRAVERSES RIEGEL TRANSOMS																											
D [mm]		50	51	52	53	54									55	56	57	58	59									
G [mm]						0	1	2	3	4	6	8									0	1	2	3	4	6	8	
DETAIL	A					B								A					B									
ACMC151 3mm	M/T	M/T	M/T	M/T	M/T	M/T	M/T	M/T	M/T	M/T	M/T	M/T	M/T	M/T	M/T	M/T	M/T	M/T	M/T	M/T	M/T	M/T	M/T					
ACMC702 2mm					T																							
ACMC712 12mm					M								M/T										M/T					
ACMC703 3mm				T																								
ACMC713 13mm				M						M/T																		
ACMC704 4mm			T																									
ACMC714 14mm			M						M/T			M/T											M/T					
ACMC705 5mm		T																										
ACMC715 15mm		M							M/T														M/T					
ACMC706 6mm	T										T	T	T	T									T					
ACMC716 16mm	M					M/T				2xM T	M	M	M								M/T		2xM T					
MC007 20x22mm						M/T	M/T	M/T	M/T	M/T	M/T	M/T										M/T	M/T					
MC009 5mm																						M/T	M/T					
MC006 10mm						3xM 2xT	3xM 2xT	3xM 2xT	3xM 2xT	M/T	M/T	M/T										3xM 2xT	3xM 2xT					
ACMC2..	ACMC239											ACMC240																
MC005/MC005H 21mm	M/T											M/T																
MC008/MC008H 5mm	-											-																
MC009/MC009H 5mm	M/T											-																
MC006/MC006 10mm	2x M/2x T											3x M/3x T																
ACMC720 7mm	-											-																
M6.3x... DIN7981	ACMC6370											ACMC6370																

# MC-WALL

## 3.1

M STIJLEN MONTANTS PFOSTEN MULLIONS	B		B		B		B		B		B	
	A		A		A		A		A		A	
T REGELS TRAVERSES RIEGEL TRANSOMS	B		B		B		B		B		B	
	A		A		A		A		A		A	
D [mm]	24		25		26		27		28		29	
DETAIL	A	B	A	B	A	B	A	B	A	B	A	B
ACMX09811 	M/T	M/T	M/T	M/T	M/T	M/T	M/T	M/T	M/T	M/T	M/T	M/T
ACMC117 	M/T	M/T	M/T	M/T	M/T	M/T	M/T	M/T	M/T	M/T	M/T	M/T
ACMC702 2mm 												T
ACMC712 12mm 												M
ACMC703 3mm 				T		T		T	T	T		T
ACMC713 13mm 				M		M		M	M	M		M
ACMC704 4mm 		T					T					
ACMC714 14mm 		M					M					
ACMC705 5mm 						T						
ACMC715 15mm 						M						
ACMC706 6mm 	T		T									
ACMC716 16mm 	M		M									
MC165 		M/T										
MC166 				M/T		M/T		M/T		M/T		M/T
MC006 10mm 												
ACMC2.. 	ACMC231											
MC005/MC005H 21mm 	-											
MC008/MC008H 5mm 	M/T											
MC009/MC009H 5mm 	M/T											
MC006/MC006 10mm 	-											
ACMC720 7mm 	M/T											
ACMC111 3mm 	M/T											
M6.3x... DIN7981 	ACMC6345											

MO\_31

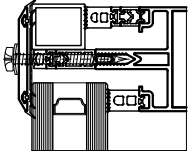
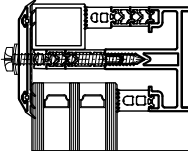
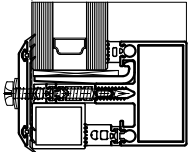
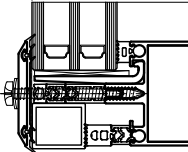

























## 3.2

M STIJLEN MONTANTS PFOSTEN MULLIONS																				
	A					A														
T REGELS TRAVERSES RIEGEL TRANSOMS																				
B					B															
D [mm]	30		31		32		33		34		35		36		37		38		39	
DETAIL	A	B	A	B	A	B	A	B	A	B	A	B	A	B	A	B	A	B	A	B
ACMX09811	M/T	M/T	M/T	M/T	M/T	M/T	M/T	M/T	M/T	M/T	M/T	M/T	M/T	M/T	M/T	M/T	M/T	M/T	M/T	M/T
ACMC117	M/T	M/T	M/T	M/T	M/T	M/T	M/T	M/T	M/T	M/T	M/T	M/T	M/T	M/T	M/T	M/T	M/T	M/T	M/T	M/T
ACMC702 2mm									T											T
ACMC712 12mm									M											M
ACMC703 3mm		T		T		T	T	T		T						T				
ACMC713 13mm		M		M		M	M	M		M		M/T	M/T		M/T	M	M/T		M/T	M/T
ACMC704 4mm					T									T						
ACMC714 14mm					M									M						
ACMC705 5mm			T										T							
ACMC715 15mm			M										M							
ACMC706 6mm	T										T									
ACMC716 16mm	M										M									
MC166		M/T		M/T		M/T	M/T	M/T		M/T		M/T	M/T		M/T	M/T		M/T		M/T
MC009 5mm		M/T		M/T		M/T	M/T	M/T												
MC006 10mm											M	M		M	M		M	M		M
ACMC2..	ACMC232										ACMC233									
MC005/MC005H 21mm	M/T										M/T									
MC008/MC008H 5mm	-										-									
MC009/MC009H 5mm	-										-									
MC006/MC006 10mm	-										-									
ACMC720 7mm	-										M/T									
ACMC111 3mm	M/T										M/T									
M6.3x... DIN7981	ACMC6350										ACMC6360									



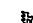
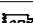
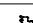
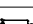
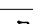

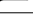
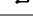
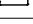
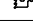



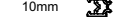
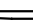






# MC-WALL

## 3.3

M STÜLEN MONTANTS PFOSTEN MULLIONS																				
																				
D [mm]	40		41		42		43		44		45		46		47		48		49	
DETAIL	A	B	A	B	A	B	A	B	A	B	A	B	A	B	A	B	A	B	A	B
ACMX09811 	M/T	M/T	M/T	M/T	M/T	M/T	M/T	M/T	M/T	M/T	M/T	M/T	M/T	M/T	M/T	M/T	M/T	M/T	M/T	M/T
ACMC117 	M/T	M/T	M/T	M/T	M/T	M/T	M/T	M/T	M/T	M/T	M/T	M/T	M/T	M/T	M/T	M/T	M/T	M/T	M/T	M/T
ACMC702 2mm 										T										T
ACMC712 12mm 										M										M
ACMC703 3mm 																				T
ACMC713 13mm 		M/T		M/T		M/T	M	M/T		M/T		M/T		M/T		M	M/T		M/T	
ACMC704 4mm 																				T
ACMC714 14mm 																				M
ACMC705 5mm 																				T
ACMC715 15mm 																				M
ACMC706 6mm 																				T
ACMC716 16mm 																				M
MC166 		M/T		M/T		M/T		M/T		M/T		M/T		M/T		M/T		M/T		M/T
MC009 5mm 		M/T		M/T		M/T		M/T		M/T										
MC006 10mm 			M		M		M		M											2xM/ T
ACMC2.. 	ACMC235										ACMC238									
MC005/MC005H 21mm 	M/T										M/T									
MC008/MC008H 5mm 	-										-									
MC009/MC009H 5mm 	M/T										-									
MC006/MC006 10mm 	-										M/T									
ACMC720 7mm 	M/T										M/T									
ACMC111 3mm 	M/T										M/T									
M6.3x... DIN7981 	ACMC6360										ACMC6370									

MO\_33

## 3.4

M STÜLEN MONTANTS PFOSTEN MULLIONS	B		B		B		B		B		B		B		B					
	A		A		A		A		A		A		A		A					
T REGELS TRAVERSES RIEGEL TRANSOMS	B		B		B		B		B		B		B		B					
D [mm]	50		51		52		53		54		55		56		57		58		59	
DETAIL	A	B	A	B	A	B	A	B	A	B	A	B	A	B	A	B	A	B	A	B
ACMX09811 	M/T	M/T	M/T	M/T	M/T	M/T	M/T	M/T	M/T	M/T	M/T	M/T	M/T	M/T	M/T	M/T	M/T	M/T	M/T	M/T
ACMC117 	M/T	M/T	M/T	M/T	M/T	M/T	M/T	M/T	M/T	M/T	M/T	M/T	M/T	M/T	M/T	M/T	M/T	M/T	M/T	M/T
ACMC702 2mm 										T										T
ACMC712 12mm 										M										M
ACMC703 3mm 								T								T				
ACMC713 13mm 		M/T		M/T		M/T	M	M/T		M/T		M/T		M/T		M	M/T			M/T
ACMC704 4mm 						T										T				
ACMC714 14mm 						M										M				
ACMC705 5mm 				T										T						
ACMC715 15mm 				M										M						
ACMC706 6mm 		T										T								
ACMC716 16mm 		M										M								
MC166 		M/T		M/T		M/T		M/T		M/T		M/T		M/T		M/T		M/T		M/T
MC009 5mm 		M/T		M/T		M/T		M/T		M/T										
MC006 10mm 		2xM/ T		2xM/ T		2xM/ T		2xM/ T		2xM/ T		3xM/ 2xT		3xM/ 2xT		3xM/ 2xT		3xM/ 2xT		3xM/ 2xT
ACMC2.. 	ACMC239										ACMC240									
MC005/MC005H 21mm 	M/T										M/T									
MC008/MC008H 5mm 	-										-									
MC009/MC009H 5mm 	M/T										-									
MC006/MC006 10mm 	M/T										2x M/2x T									
ACMC720 7mm 	M/T										M/T									
ACMC111 3mm 	M/T										M/T									
M6.3x... DIN7981 	ACMC6370										ACMC6380									

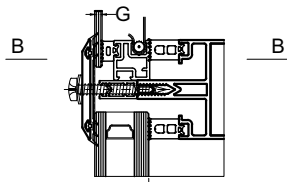
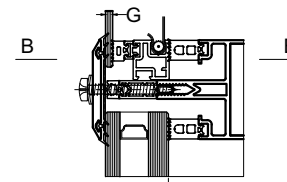
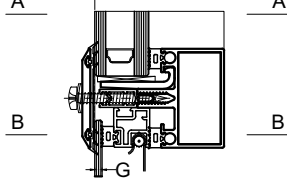
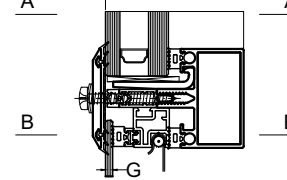



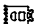



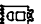














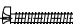
# MC-WALL

## 3.5

M STIJLEN MONTANTS PFOSTEN MULLIONS																						
	T REGELS TRAVERSES RIEGEL TRANSOMS																					
D [mm]	24									25	26	27	28	29								
G [mm]		0	1	2	3	4	6	8								0	1	2	3	4	6	8
DETAIL	A	B								A					B							
ACMX09811	M/T	M/T	M/T	M/T	M/T	M/T	M/T	M/T	M/T	M/T	M/T	M/T	M/T	M/T	M/T	M/T	M/T	M/T	M/T	M/T	M/T	M/T
ACMC117	M/T	M/T	M/T	M/T	M/T	M/T	M/T	M/T	M/T	M/T	M/T	M/T	M/T	M/T	M/T	M/T	M/T	M/T	M/T	M/T	M/T	M/T
ACMC702 2mm								M/T					T						T	M	2xT	
ACMC712 12mm					M/T								M						M	M		
ACMC703 3mm													T					M/T				M/T
ACMC713 13mm				M/T									M									
ACMC704 4mm							M/T						T				M/T		M/T			
ACMC714 14mm			M/T										M									
ACMC705 5mm													T				M/T					
ACMC715 15mm		M/T											M									
ACMC706 6mm	T					M/T			T								M/T					
ACMC716 16mm	M								M													
MC007 20x22mm		M/T	M/T	M/T	M/T	M/T	M/T	M/T							M/T	M/T	M/T	M/T	M/T	M/T	M/T	M/T
MC009 5mm		M/T	M/T	M/T	M/T										M/T	M/T	M/T	M/T				
MC006 10mm		M	M	M	M	M	M	M							M	M	M	M				M
ACMC2..	ACMC231																					
MC005/MC005H 21mm	-																					
MC008/MC008H 5mm	M/T																					
MC009/MC009H 5mm	M/T																					
MC006/MC006 10mm	-																					
ACMC720 7mm	M/T																					
ACMC111 3mm	M/T																					
M6.3x... DIN7981	ACMC6345																					

MO\_3.5

## 3.6

M STÜLEN MONTANTS PFOSTEN MULLIONS																											
	T REGLERS TRAVERSES RIEGEL TRANSOMS																										
D [mm]	30	31	32	33	34									35	36	37	38	39									
G [mm]						0	1	2	3	4	6	8									0	1	2	3	4	6	8
DETAIL	A					B								A					B								
ACMX09811 	M/T	M/T	M/T	M/T	M/T	M/T	M/T	M/T	M/T	M/T	M/T	M/T	M/T	M/T	M/T	M/T	M/T	M/T	M/T	M/T	M/T	M/T	M/T	M/T			
ACMC117 	M/T	M/T	M/T	M/T	M/T	M/T	M/T	M/T	M/T	M/T	M/T	M/T	M/T	M/T	M/T	M/T	M/T	M/T	M/T	M/T	M/T	M/T	M/T	M/T			
ACMC702 2mm 					T							M/T												M/T			
ACMC712 12mm 					M																			M			
ACMC703 3mm 				T																				T			
ACMC713 13mm 				M					M/T													M/T					
ACMC704 4mm 			T							M/T														M/T			
ACMC714 14mm 			M					M/T							M						M/T						
ACMC705 5mm 		T																									
ACMC715 15mm 		M						M/T							M						M/T						
ACMC706 6mm 	T								M	T	T	T										M	T	T			
ACMC716 16mm 	M					M/T			M	M	M	M						M/T				M	M	M			
MC007 20x22mm 						M/T	M/T	M/T	M/T	M/T	M/T	M/T						M/T	M/T	M/T	M/T	M/T	M/T	M/T			
MC009 5mm 																		M/T	M/T	M/T	M/T	M/T	M/T	M/T			
MC006 10mm 						M	M	M	M									M	M	M	M						
ACMC2.. 	ACMC232												ACMC233														
MC005/MC005H 21mm 	M/T												M/T														
MC008/MC008H 5mm 	-												-														
MC009/MC009H 5mm 	-												-														
MC006/MC006 10mm 	-												-														
ACMC720 7mm 	-												M/T														
ACMC111 3mm 	M/T												M/T														
M6.3x... DIN7981 	ACMC6350												ACMC6360														

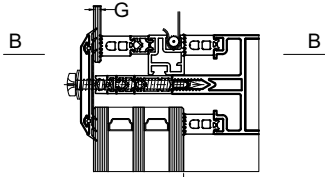
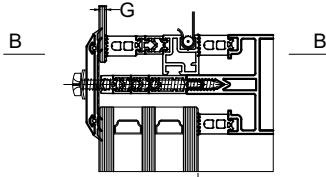
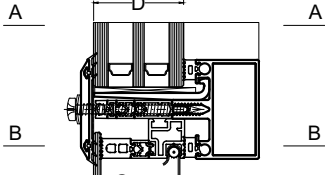
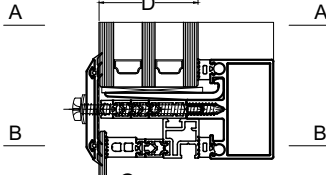
# MC-WALL

## 3.7

M STÜLEN MONTANTS PFOSTEN MULLIONS																											
	T REGELS TRAVERSES RIEGEL TRANSOMS																										
D [mm]	40	41	42	43	44									45	46	47	48	49									
G [mm]						0	1	2	3	4	6	8									0	1	2	3	4	6	8
DETAIL	A					B								A					B								
ACMX09811	M/T	M/T	M/T	M/T	M/T	M/T	M/T	M/T	M/T	M/T	M/T	M/T	M/T	M/T	M/T	M/T	M/T	M/T	M/T	M/T	M/T	M/T	M/T	M/T			
ACMC117	M/T	M/T	M/T	M/T	M/T	M/T	M/T	M/T	M/T	M/T	M/T	M/T	M/T	M/T	M/T	M/T	M/T	M/T	M/T	M/T	M/T	M/T	M/T	M/T			
ACMC702 2mm					T												T										
ACMC712 12mm					M							M/T					M							M/T			
ACMC703 3mm				T												T											
ACMC713 13mm				M						M/T						M						M/T					
ACMC704 4mm			T													T											
ACMC714 14mm			M							M/T		M/T				M						M/T		M/T			
ACMC705 5mm		T														T											
ACMC715 15mm		M								M/T						M						M/T					
ACMC706 6mm	T										T	T	T	T								T	T	T			
ACMC716 16mm	M									M/T		2xM T	M	M	M							M/T		2xM T	M	M	
MC007 20x22mm							M/T	M/T	M/T	M/T	M/T	M/T										M/T	M/T	M/T	M/T	M/T	M/T
MC009 5mm																						M/T	M/T	M/T	M/T	M/T	M/T
MC006 10mm							2xM T	2xM T	2xM T	2xM T												2xM T	2xM T	2xM T	2xM T		
ACMC2..	ACMC235												ACMC238														
MC005/MC005H 21mm	M/T												M/T														
MC008/MC008H 5mm	-												-														
MC009/MC009H 5mm	M/T												-														
MC006/MC006 10mm	-												M/T														
ACMC720 7mm	M/T												M/T														
ACMC111 3mm	M/T												M/T														
M6.3x... DIN7981	ACMC6360												ACMC6370														

MO.17











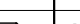



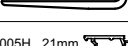
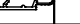




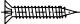
## 3.8

M STÜLEN MONTANTS PFOSTEN MULLIONS																								
	T REGELS TRAVERSES RIEGEL TRANSOMS																							
D [mm]	50	51	52	53	54							55	56	57	58	59								
G [mm]						0	1	2	3	4	6	8						0	1	2	3	4	6	8
DETAIL	A					B						A					B							
ACMX09811	M/T	M/T	M/T	M/T	M/T	M/T	M/T	M/T	M/T	M/T	M/T	M/T	M/T	M/T	M/T	M/T	M/T	M/T	M/T	M/T	M/T	M/T	M/T	M/T
ACMC117	M/T	M/T	M/T	M/T	M/T	M/T	M/T	M/T	M/T	M/T	M/T	M/T	M/T	M/T	M/T	M/T	M/T	M/T	M/T	M/T	M/T	M/T	M/T	M/T
ACMC702 2mm					T												T							
ACMC712 12mm					M						M/T						M							M/T
ACMC703 3mm				T												T								
ACMC713 13mm				M					M/T							M					M/T			
ACMC704 4mm			T												T									
ACMC714 14mm			M					M/T		M/T					M					M/T		M/T		
ACMC705 5mm		T												T										
ACMC715 15mm		M					M/T							M					M/T					
ACMC706 6mm	T									T	T	T	T									T	T	T
ACMC716 16mm	M					M/T				2xM T	M	M	M					M/T				2xM T	M	M
MC007 20x22mm						M/T	M/T	M/T	M/T	M/T	M/T	M/T						M/T	M/T	M/T	M/T	M/T	M/T	M/T
MC009 5mm																		M/T	M/T	M/T	M/T	M/T	M/T	M/T
MC006 10mm						3xM 2xT	3xM 2xT	3xM 2xT	3xM 2xT	M/T	M/T	M/T						3xM 2xT	3xM 2xT	3xM 2xT	3xM 2xT	M/T	M/T	M/T
ACMC2..	ACMC239												ACMC240											
MC005/MC005H 21mm	M/T												M/T											
MC008/MC008H 5mm	-												-											
MC009/MC009H 5mm	M/T												-											
MC006/MC006 10mm	M/T												2x M/2x T											
ACMC720 7mm	M/T												M/T											
ACMC111 3mm	M/T												M/T											
M6.3x... DIN7981	ACMC6370												ACMC6380											

BEGLAZINGSTABELLEN - TABLEAUX DE VITRAGES - VERGLASUNGSTABELLE - GLAZING TABLES

# MC-WALL

## 4.1

M STIJLEN MONTANTS PFOSTEN MULLIONS	B		A		D		A		B	
	B		A		D		A		B	
T REGELS TRAVERSES RIEGEL TRANSOMS	A		B		B		A		B	
	A		B		B		A		B	
D [mm]	24	25	26	27	28	29				
DETAIL	A   B	A   B	A   B	A   B	A   B	A   B	A   B	A   B	A   B	A   B
ACMC156s 2mm 	M/T	M/T	M/T	M/T	M/T	M/T	M/T	M/T	M/T	M/T
ACMC702 2mm 										T
ACMC712 12mm 										M
ACMC703 3mm 			T	T	T	T	T	T		T
ACMC713 13mm 		M	M	M	M	M	M	M		M
ACMC704 4mm 	T				T					
ACMC714 14mm 	M				M					
ACMC705 5mm 			T							
ACMC715 15mm 			M							
ACMC706 6mm 	T	T								
ACMC716 16mm 	M	M								
MC165 		M/T								
MC166 			M/T	M/T	M/T	M/T	M/T	M/T	M/T	M/T
MC006 10mm 										
ACMC2.. 	ACMC237	ACMC236								
MC005/MC005H 21mm 	-	-								
MC008/MC008H 5mm 	M/T	M/T								
MC009/MC009H 5mm 	-	-								
MC006/MC006 10mm 	-	-								
ACMC720 7mm 	M/T	M/T								
M6.3x... DIN7982 	ACMC6332S	ACMC6338S								

MC0\_4.1



## 4.2

M STIJLEN MONTANTS PFOSTEN MULLIONS																				
T REGELS TRAVERSES RIEGEL TRANSOMS																				
D [mm]	30		31		32		33		34		35		36		37		38		39	
DETAIL	A	B	A	B	A	B	A	B	A	B	A	B	A	B	A	B	A	B	A	B
ACMC156s 2mm	M/T	M/T	M/T	M/T	M/T	M/T	M/T	M/T	M/T	M/T	M/T	M/T	M/T	M/T	M/T	M/T	M/T	M/T	M/T	M/T
ACMC702 2mm									T										T	
ACMC712 12mm									M										M	
ACMC703 3mm		T		T		T	T	T		T							T			
ACMC713 13mm		M		M		M	M	M		M		M/T		M/T		M/T	M	M/T		M/T
ACMC704 4mm					T										T					
ACMC714 14mm					M										M					
ACMC705 5mm			T										T							
ACMC715 15mm			M										M							
ACMC706 6mm	T											T								
ACMC716 16mm	M											M								
MC166		M/T		M/T		M/T		M/T		M/T		M/T		M/T		M/T		M/T		M/T
MC009 5mm		M/T		M/T		M/T		M/T		M/T										
MC006 10mm												M		M		M		M		M
ACMC2..	ACMC231					ACMC232														
MC005/MC005H 21mm						-														
MC008/MC008H 5mm						M/T					M/T									
MC009/MC009H 5mm						M/T					-									
MC006/MC006 10mm						-					M/T									
ACMC720 7mm						M/T					M/T									
M6.3x... DIN7982	ACMC6338S					ACMC6345S														



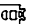



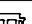
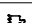
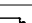
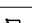




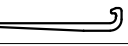
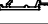





# MC-WALL

## 4.3

M STIJLEN MONTANTS PFOSTEN MULLIONS																				
T REGELS TRAVERSES RIEGEL TRANSOMS																				
D [mm]	40		41		42		43		44		45		46		47		48		49	
DETAIL	A	B	A	B	A	B	A	B	A	B	A	B	A	B	A	B	A	B	A	B
ACMC156s 2mm	M/T	M/T	M/T	M/T	M/T	M/T	M/T	M/T	M/T	M/T	M/T	M/T	M/T	M/T	M/T	M/T	M/T	M/T	M/T	M/T
ACMC702 2mm									T										T	
ACMC712 12mm									M										M	
ACMC703 3mm							T										T			
ACMC713 13mm		M/T		M/T		M/T	M	M/T		M/T		M/T		M/T		M	M/T		M/T	
ACMC704 4mm					T										T					
ACMC714 14mm					M										M					
ACMC705 5mm			T									T								
ACMC715 15mm			M									M								
ACMC706 6mm	T										T									
ACMC716 16mm	M									M										
MC166		M/T		M/T		M/T		M/T		M/T		M/T		M/T		M/T		M/T		M/T
MC009 5mm		M/T		M/T		M/T		M/T		M/T										
MC006 10mm		M		M		M		M		M		2xM/T		2xM/T		2xM/T		2xM/T		2xM/T
ACMC2..	ACMC233					ACMC234					ACMC234									
MC005/MC005H 21mm						-					-									
MC008/MC008H 5mm						M/T					M/T									
MC009/MC009H 5mm						M/T					-									
MC006/MC006 10mm						M/T					2x M/2x T									
ACMC720 7mm						M/T					M/T									
M6.3x... DIN7982	ACMC6350S					ACMC6350S					ACMC6350S									

MO\_4.3

## 4.4

M STIJLEN MONTANTS PFOSTEN MULLIONS	B		A		D		A		B	
	B		A		D		A		B	
T REGELS TRAVERSES RIEGEL TRANSOMS	B		A		D		A		B	
	B		A		D		A		B	
D [mm]	50	51	52	53	54	55	56	57	58	59
DETAIL	A   B	A   B	A   B	A   B	A   B	A   B	A   B	A   B	A   B	A   B
ACMC156s 2mm 	M/T	M/T	M/T	M/T	M/T	M/T	M/T	M/T	M/T	M/T
ACMC702 2mm 						T				T
ACMC712 12mm 						M				M
ACMC703 3mm 					T				T	
ACMC713 13mm 		M/T		M/T		M	M/T		M/T	
ACMC704 4mm 				T				T		
ACMC714 14mm 				M				M		
ACMC705 5mm 			T					T		
ACMC715 15mm 			M					M		
ACMC706 6mm 	T						T			
ACMC716 16mm 	M						M			
MC166 		M/T		M/T		M/T		M/T		M/T
MC009 5mm 		M/T		M/T		M/T		M/T		M/T
MC006 10mm 		2xM/ T		2xM/ T		2xM/ T		2xM/ T		2xM/ T
ACMC2.. 	ACMC235					ACMC238				
MC005/MC005H 21mm 	-					-				
MC008/MC008H 5mm 	M/T					M/T				
MC009/MC009H 5mm 	M/T					M/T				
MC006/MC006 10mm 	2xM / 2xT					3xM / 3xT				
ACMC720 7mm 	M/T					-				
M6.3x... DIN7982 	ACMC6360S					ACMC6360S				





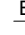








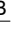







# MC-WALL

## 4.5

M STIJLEN MONTANTS PFOSTEN MULLIONS									T REGLERS TRAVERSES RIEGEL TRANSOMS											
D [mm]	24								25	26	27	28	29							
G [mm]		0	1	2	3	4	6	8						0	1	2	3	4	6	8
DETAIL	A	B							A					B						
ACMC156s 2mm	M/T	M/T	M/T	M/T	M/T	M/T	M/T	M/T	M/T	M/T	M/T	M/T	M/T	M/T	M/T	M/T	M/T	M/T	M/T	
ACMC702 2mm								M/T										T	M	2xT
ACMC712 12mm					M/T							M					M	M		
ACMC703 3mm											T				M/T					M/T
ACMC713 13mm				M/T							M									
ACMC704 4mm							M/T				T				M/T		M/T			
ACMC714 14mm			M/T								M									
ACMC705 5mm											T				M/T					
ACMC715 15mm		M/T									M									
ACMC706 6mm	T					M/T					T				M/T					
ACMC716 16mm	M										M									
MC007 20x22mm		M/T	M/T	M/T	M/T	M/T	M/T	M/T							M/T	M/T	M/T	M/T	M/T	M/T
MC009 5mm		M/T	M/T	M/T	M/T										M/T	M/T	M/T	M/T		
MC006 10mm		M	M	M	M	M	M	M							M	M	M	M		M
ACMC2..	ACMC237								ACMC236											
MC005/MC005H 21mm	-								-											
MC008/MC008H 5mm	M/T								M/T											
MC009/MC009H 5mm	-								-											
MC006/MC006 10mm	-								-											
ACMC720 7mm	M/T								M/T											
M6.3x... DIN7982	ACMC6332S								ACMC6338S											

MO\_4.5

## 4.6

M STIJLEN MONTANTS PFOSTEN MULLIONS	A		B		A		B																	
	B	A	B	A	B	A	B	A																
T REGLS TRAVERTSES RIEGEL TRANSOMS	A		B		A		B																	
D [mm]	30	31	32	33	34						35	36	37	38	39									
G [mm]						0	1	2	3	4	6	8						0	1	2	3	4	6	8
DETAIL	A					B					A					B								
ACMC156s 2mm 	M/T	M/T	M/T	M/T	M/T	M/T	M/T	M/T	M/T	M/T	M/T	M/T	M/T	M/T	M/T	M/T	M/T	M/T	M/T	M/T	M/T	M/T	M/T	M/T
ACMC702 2mm 					T							M/T					T						M/T	
ACMC712 12mm 					M												M							
ACMC703 3mm 				T												T								
ACMC713 13mm 				M					M/T							M					M/T			
ACMC704 4mm 			T							M/T						T						M/T		
ACMC714 14mm 			M						M/T							M					M/T			
ACMC705 5mm 		T														T								
ACMC715 15mm 		M							M/T							M					M/T			
ACMC706 6mm 	T									M	T	T	T									M	T	T
ACMC716 16mm 	M					M/T				M	M	M	M						M/T			M	M	M
MC007 20x22mm 						M/T	M/T	M/T	M/T	M/T	M/T	M/T						M/T	M/T	M/T	M/T	M/T	M/T	M/T
MC009 5mm 																		M/T	M/T	M/T	M/T	M/T	M/T	M/T
MC006 10mm 						M	M	M	M									M	M	M	M			
ACMC2.. 	ACMC231											ACMC232												
MC005/MC005H 21mm 	-											-												
MC008/MC008H 5mm 	M/T											M/T												
MC009/MC009H 5mm 	M/T											-												
MC006/MC006 10mm 	-											M/T												
ACMC720 7mm 	M/T											M/T												
M6.3x... DIN7982 	ACMC6338S											ACMC6345S												

# MC-WALL

## 4.7

M STIJLEN MONTANTS PFOSTEN MULLIONS																												
	T REGLS TRAVERSES RIEGEL TRANSOMS																											
D [mm]	40	41	42	43	44									45	46	47	48	49										
G [mm]						0	1	2	3	4	6	8									0	1	2	3	4	6	8	
DETAIL	A					B								A					B									
ACMC156s 2mm	M/T	M/T	M/T	M/T	M/T	M/T	M/T	M/T	M/T	M/T	M/T	M/T	M/T	M/T	M/T	M/T	M/T	M/T	M/T	M/T	M/T	M/T	M/T	M/T	M/T	M/T	M/T	
ACMC702 2mm					T														T									
ACMC712 12mm					M								M/T					M								M/T		
ACMC703 3mm				T														T										
ACMC713 13mm				M						M/T								M						M/T				
ACMC704 4mm			T														T											
ACMC714 14mm			M						M/T		M/T						M						M/T			M/T		
ACMC705 5mm		T															T											
ACMC715 15mm		M							M/T								M						M/T					
ACMC706 6mm	T									T	T	T	T	T										T	T	T		
ACMC716 16mm	M					M/T				2xM T	M	M	M	M						M/T				2xM T	M	M		
MC007 20x22mm						M/T	M/T	M/T	M/T	M/T	M/T	M/T								M/T	M/T	M/T	M/T	M/T	M/T	M/T	M/T	
MC009 5mm																				M/T	M/T	M/T	M/T	M/T	M/T	M/T	M/T	
MC006 10mm						2xM T	2xM T	2xM T	2xM T											2xM T	2xM T	2xM T	2xM T					
ACMC2..	ACMC233														ACMC234													
MC005/MC005H 21mm	-														-													
MC008/MC008H 5mm	M/T														M/T													
MC009/MC009H 5mm	M/T														-													
MC006/MC006 10mm	M/T														2x M/2x T													
ACMC720 7mm	M/T														M/T													
M6.3x... DIN7982	ACMC6350S														ACMC6350S													

MC4.7

## 4.8

M STIJLEN MONTANTS PFOSTEN MULLIONS																												
	T REGELS TRAVERSES RIEGEL TRANSOMS																											
D [mm]		50	51	52	53	54									55	56	57	58	59									
G [mm]						0	1	2	3	4	6	8									0	1	2	3	4	6	8	
DETAIL	A					B								A					B									
ACMC156s 2mm	M/T	M/T	M/T	M/T	M/T	M/T	M/T	M/T	M/T	M/T	M/T	M/T	M/T	M/T	M/T	M/T	M/T	M/T	M/T	M/T	M/T	M/T	M/T					
ACMC702 2mm					T																							
ACMC712 12mm					M								M/T										M/T					
ACMC703 3mm				T																								
ACMC713 13mm				M							M/T																	
ACMC704 4mm			T																									
ACMC714 14mm			M							M/T			M/T										M/T					
ACMC705 5mm		T																										
ACMC715 15mm		M								M/T													M/T					
ACMC706 6mm	T											T	T	T	T							T	T	T				
ACMC716 16mm	M									M/T			2xM T	M	M	M						M/T		2xM T	M	M		
MC007 20x22mm										M/T	M/T	M/T	M/T	M/T	M/T	M/T						M/T	M/T	M/T	M/T			
MC009 5mm																							M/T	M/T	M/T	M/T		
MC006 10mm										3xM 2xT	3xM 2xT	3xM 2xT	3xM 2xT	M/T	M/T	M/T						3xM 2xT	3xM 2xT	3xM 2xT	3xM 2xT	M/T	M/T	M/T
ACMC2..	ACMC235											ACMC238																
MC005/MC005H 21mm	-											-																
MC008/MC008H 5mm	M/T											M/T																
MC009/MC009H 5mm	M/T											M/T																
MC006/MC006 10mm	2xM / 2xT											3xM / 3xT																
ACMC720 7mm	M/T											-																
M6.3x... DIN7982	ACMC6360S											ACMC6360S																

BEGLAZINGSTABELLEN - TABLEAUX DE VITRAGES - VERGLASUNGSTABELLE - GLAZING TABLES

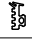

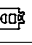




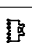
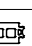
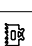
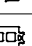
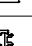
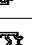
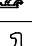
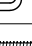
# MC-WALL

## 5.1

M STIJLEN MONTANTS PFOSTEN MULLIONS																				
D [mm]	4		5		6		7 (33.2)		8		9 (44.2)		10		11 (55.2)		12		13 (66.2)	
DETAIL	A	B	A	B	A	B	A	B	A	B	A	B	A	B	A	B	A	B	A	B
ACMC151 3mm	M/T	M/T	M/T	M/T	M/T	M/T	M/T	M/T	M/T	M/T	M/T	M/T	M/T	M/T	M/T	M/T	M/T	M/T	M/T	M/T
ACMC702 2mm									T											T
ACMC712 12mm									M											M
ACMC703 3mm							T										T			
ACMC713 13mm							M										M			
ACMC704 4mm						T										T				
ACMC714 14mm						M										M				
ACMC705 5mm		T	T	T		T	T	T				T								
ACMC715 15mm		M	M	M		M	M	M			M/T	M	M/T		M/T		M/T		M/T	M/T
ACMC706 6mm	T										T									
ACMC716 16mm	M										M									
MC009 5mm		M/T		M/T		M/T		M/T		M/T										
MC006 10mm																				
ACMC2..	ACMC230									ACMC230										
M6.3x... DIN7981	ACMC6322									ACMC6325										



## 5.2







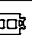
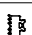
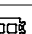
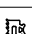
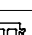

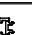
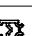
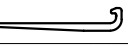
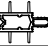



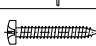

M STIJLEN MONTANTS PFOSTEN MULLIONS	B			B			B			B			B					
	G			G			G			G			G					
T REGELS TRAVERSES RIEGEL TRANSOMS	A			A			A			A			A					
	D			D			D			D			D					
D [mm]	4	5	6	7	8					9	10	11	12	13				
G [mm]						0	1	2	3					0	1	2	3	
DETAIL	A					B				A				B				
ACMC151 3mm 	M/T	M/T	M/T	M/T	M/T	M/T	M/T	M/T	M/T	M/T	M/T	M/T	M/T	M/T	M/T	M/T	M/T	M/T
ACMC702 2mm 					T				T					T				
ACMC712 12mm 					M				M					M				M/T
ACMC703 3mm 				T				T					T					
ACMC713 13mm 				M				M					M				M/T	
ACMC704 4mm 			T					T					T					
ACMC714 14mm 			M					M					M				M/T	
ACMC705 5mm 		T						T					T					
ACMC715 15mm 		M						M					M				M/T	
ACMC706 6mm 	T												T					
ACMC716 16mm 	M												M					
MC009 5mm 						M/T	M/T	M/T	M/T									
MC006 10mm 																		
ACMC2.. 	ACMC230					ACMC230												
M6.3x... DIN7981 	ACMC6322					ACMC6325												

# MC-WALL

## 6.1

<b>M</b> STIJLEN MONTANTS PFOSTEN MULLIONS						
	<b>T</b> REGELS TRAVERSES RIEGEL TRANSOMS					
D [mm]		24	25	26	27	28
DETAIL	A   B	A   B	A   B	A   B	A   B	A   B
ACMC151 3mm	M/T   M/T	M/T   M/T	M/T   M/T	M/T   M/T	M/T   M/T	M/T   M/T
ACMC702 2mm						T
ACMC712 12mm						M
ACMC703 3mm			T	T	T	T
ACMC713 13mm		M	M	M	M	M
ACMC704 4mm	T			T		
ACMC714 14mm	M			M		
ACMC705 5mm			T			
ACMC715 15mm			M			
ACMC706 6mm	T	T				
ACMC716 16mm	M	M				
MC165	M/T					
MC166		M/T	M/T	M/T	M/T	M/T
MC006 10mm						
ACMC2..	ACMC231					
MC005H 21mm	-	M/T				
MC008H 5mm	M/T	-				
MC009H 5mm	M/T	-				
MC006H 10mm	M/T	-				
M6.3x... DIN7981	ACMC6350	ACMC6350				
ACMC160 8mm	M/T					

## 6.2

M STIJLEN MONTANTS PFOSTEN MULLIONS	B		A		D		A		B	
	B		A		D		A		B	
T REGELS TRAVERSES RIEGEL TRANSOMS	B		A		D		A		B	
	B		A		D		A		B	
D [mm]	30	31	32	33	34	35	36	37	38	39
DETAIL	A   B	A   B	A   B	A   B	A   B	A   B	A   B	A   B	A   B	A   B
ACMC151 3mm 	M/T	M/T	M/T	M/T	M/T	M/T	M/T	M/T	M/T	M/T
ACMC702 2mm 						T				T
ACMC712 12mm 						M				M
ACMC703 3mm 		T		T	T	T			T	
ACMC713 13mm 		M		M	M	M		M/T	M/T	M/T
ACMC704 4mm 				T				T		
ACMC714 14mm 				M				M		
ACMC705 5mm 			T					T		
ACMC715 15mm 			M					M		
ACMC706 6mm 	T						T			
ACMC716 16mm 	M						M			
MC166 		M/T		M/T		M/T		M/T		M/T
MC009 5mm 		M/T		M/T		M/T				
MC006 10mm 								M		M
ACMC2.. 	ACMC233					ACMC234				
MC005H 21mm 	M/T					M/T				
MC008H 5mm 	-					-				
MC009H 5mm 	M/T					-				
MC006H 10mm 	-					M/T				
M6.3x... DIN7981 	ACMC6350					ACMC6360				
ACMC160 8mm 	M/T					M/T				







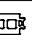
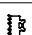
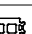
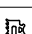
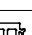



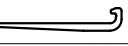
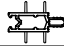


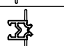
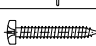

# MC-WALL

## 6.3

M STIJLEN MONTANTS PFOSTEN MULLIONS	B		A		B		A		B		A		B							
T REGELS TRAVERSES RIEGEL TRANSOMS	B		A		B		A		B		A		B							
D [mm]	40		41		42		43		44		45		46		47		48		49	
DETAIL	A	B	A	B	A	B	A	B	A	B	A	B	A	B	A	B	A	B	A	B
ACMC151 3mm	M/T	M/T	M/T	M/T	M/T	M/T	M/T	M/T	M/T	M/T	M/T	M/T	M/T	M/T	M/T	M/T	M/T	M/T	M/T	M/T
ACMC702 2mm									T										T	
ACMC712 12mm									M											M
ACMC703 3mm							T										T			
ACMC713 13mm		M/T		M/T		M/T	M	M/T		M/T		M/T		M/T		M/T	M	M/T		M/T
ACMC704 4mm					T								T							
ACMC714 14mm					M								M							
ACMC705 5mm			T										T							
ACMC715 15mm			M										M							
ACMC706 6mm	T										T									
ACMC716 16mm	M										M									
MC166		M/T		M/T		M/T		M/T		M/T		M/T		M/T		M/T		M/T		M/T
MC009 5mm		M/T		M/T		M/T		M/T		M/T										
MC006 10mm		M		M		M		M		M		2xM/T		2xM/T		2xM/T		2xM/T		2xM/T
ACMC2..	ACMC235					ACMC238														
MC005H 21mm	M/T					M/T														
MC008H 5mm	-					-														
MC009H 5mm	M/T					-														
MC006H 10mm	M/T					2x M/2x T														
M6.3x... DIN7981	ACMC6360					ACMC6370														
ACMC160 8mm	M/T					M/T														

W02\_6.3

## 6.4

M STIJLEN MONTANTS PFOSTEN MULLIONS	B		B		B		B		B		B	
	A		A		A		A		A		A	
T REGELS TRAVERSES RIEGEL TRANSOMS	B		B		B		B		B		B	
	A		A		A		A		A		A	
D [mm]	50	51	52	53	54	55	56	57	58	59		
DETAIL	A   B	A   B	A   B	A   B	A   B	A   B	A   B	A   B	A   B	A   B		
ACMC151 3mm 	M/T	M/T	M/T	M/T	M/T	M/T	M/T	M/T	M/T	M/T	M/T	M/T
ACMC702 2mm 							T					T
ACMC712 12mm 							M					M
ACMC703 3mm 						T						T
ACMC713 13mm 		M/T		M/T		M/T	M	M/T		M/T		M/T
ACMC704 4mm 				T					T			
ACMC714 14mm 				M					M			
ACMC705 5mm 			T						T			
ACMC715 15mm 			M						M			
ACMC706 6mm 	T								T			
ACMC716 16mm 	M								M			
MC166 		M/T		M/T		M/T		M/T		M/T		M/T
MC009 5mm 		M/T		M/T		M/T		M/T		M/T		
MC006 10mm 		2xM/ T		2xM/ T		2xM/ T		2xM/ T		2xM/ T	3xM/ 2xT	3xM/ 2xT
ACMC2.. 	ACMC239					ACMC240						
MC005H 21mm 	M/T					M/T						
MC008H 5mm 	-					-						
MC009H 5mm 	M/T					-						
MC006H 10mm 	2x M/2x T					3x M/3x T						
M6.3x... DIN7981 	ACMC6370					ACMC6380						
ACMC160 8mm 	M/T					M/T						

# MC-WALL

## 6.5

M STIJLEN MONTANTS PFOSTEN MULLIONS									T REGELS TRAVERSES RIEGEL TRANSOMS												
	D [mm]	24								25	26	27	28	29							
G [mm]		0	1	2	3	4	6	8							0	1	2	3	4	6	8
DETAIL	A	B						A						B							
ACMC151 3mm	M/T	M/T	M/T	M/T	M/T	M/T	M/T	M/T	M/T	M/T	M/T	M/T	M/T	M/T	M/T	M/T	M/T	M/T	M/T	M/T	M/T
ACMC702 2mm								M/T					T						T	M	2xT
ACMC712 12mm					M/T							M							M	M	
ACMC703 3mm											T					M/T					M/T
ACMC713 13mm				M/T							M										
ACMC704 4mm						M/T				T					M/T			M/T			
ACMC714 14mm			M/T							M											
ACMC705 5mm										T					M/T						
ACMC715 15mm		M/T								M											
ACMC706 6mm	T				M/T				T					M/T							
ACMC716 16mm	M								M												
MC007 20x22mm		M/T	M/T	M/T	M/T	M/T	M/T	M/T							M/T	M/T	M/T	M/T	M/T	M/T	M/T
MC009 5mm		M/T	M/T	M/T	M/T										M/T	M/T	M/T	M/T			
MC006 10mm		M	M	M	M	M	M	M							M	M	M	M			M
ACMC2..	ACMC231								ACMC231												
MC005H 21mm	-								M/T												
MC008H 5mm	M/T								-												
MC009H 5mm	M/T								-												
MC006H 10mm	M/T								-												
M6.3x... DIN7981	-								-												
ACMC160 8mm	ACMC6350								ACMC6350												

W02\_6.5

## 6.6

M STJLEN MONTANTS PFOSTEN MULLIONS															T REGLS TRAVERSES RIEGEL TRANSOMS													
D [mm]	30	31	32	33	34									35	36	37	38	39										
G [mm]						0	1	2	3	4	6	8									0	1	2	3	4	6	8	
DETAIL	A					B								A					B									
ACMC151 3mm	M/T	M/T	M/T	M/T	M/T	M/T	M/T	M/T	M/T	M/T	M/T	M/T	M/T	M/T	M/T	M/T	M/T	M/T	M/T	M/T	M/T	M/T	M/T	M/T				
ACMC702 2mm					T									M/T										M/T				
ACMC712 12mm					M																			M				
ACMC703 3mm					T																			T				
ACMC713 13mm					M							M/T												M/T				
ACMC704 4mm					T									M/T										M/T				
ACMC714 14mm					M							M/T												M/T				
ACMC705 5mm					T																			T				
ACMC715 15mm					M							M/T												M/T				
ACMC706 6mm					T							M	T	T	T								M	T	T			
ACMC716 16mm					M							M/T												M	M	M		
MC007 20x22mm												M/T	M/T	M/T	M/T	M/T	M/T	M/T	M/T	M/T	M/T	M/T	M/T	M/T				
MC009 5mm																								M/T	M/T	M/T		
MC006 10mm												M	M	M	M									M	M	M		
ACMC2..	ACMC233														ACMC234													
MC005H 21mm	M/T														M/T													
MC008H 5mm	-														-													
MC009H 5mm	M/T														-													
MC006H 10mm	-														M/T													
M6.3x... DIN7981	ACMC6350														ACMC6360													
ACMC160 8mm	M/T														M/T													

BEGLAZINGSTABELLEN - TABLEAUX DE VITRAGES - VERGLASUNGSTABELLE - GLAZING TABLES

# MC-WALL

## 6.7

M STIJLEN MONTANTS PFOSTEN MULLIONS																	T REGLS TRAVERSES RIEGEL TRANSOMS																
	A								B									A								B							
D [mm]	40	41	42	43	44									45	46	47	48	49															
G [mm]									0	1	2	3	4	6	8									0	1	2	3	4	6	8			
DETAIL	A								B								A								B								
ACMC151 3mm	M/T	M/T	M/T	M/T	M/T	M/T	M/T	M/T	M/T	M/T	M/T	M/T	M/T	M/T	M/T	M/T	M/T	M/T	M/T	M/T	M/T	M/T	M/T	M/T									
ACMC702 2mm					T												T																
ACMC712 12mm					M							M/T					M							M/T									
ACMC703 3mm				T												T																	
ACMC713 13mm				M						M/T						M						M/T											
ACMC704 4mm			T												T																		
ACMC714 14mm			M					M/T			M/T				M					M/T			M/T										
ACMC705 5mm		T													T																		
ACMC715 15mm		M						M/T							M					M/T													
ACMC706 6mm	T									T	T	T					T					T	T	T									
ACMC716 16mm	M					M/T				2xM T	M	M	M				M/T					2xM T	M	M									
MC007 20x22mm						M/T	M/T	M/T	M/T	M/T	M/T	M/T						M/T	M/T	M/T	M/T	M/T	M/T	M/T									
MC009 5mm																		M/T	M/T	M/T	M/T	M/T	M/T	M/T									
MC006 10mm						2xM T	2xM T	2xM T	2xM T									2xM T	2xM T	2xM T	2xM T												
ACMC2..	ACMC235																ACMC238																
MC005H 21mm	M/T																M/T																
MC008H 5mm	-																-																
MC009H 5mm	M/T																-																
MC006H 10mm	M/T																2x M/2x T																
M6.3x... DIN7981	ACMC6360																ACMC6370																
ACMC160 8mm	M/T																M/T																

MO. 6.7



## 6.8

M STJLEN MONTANTS PFOSTEN MULLIONS															T REGELS TRAVERSES RIEGEL TRANSOMS														
	A					B										A					B								
D [mm]	50	51	52	53	54										55	56	57	58	59										
G [mm]						0	1	2	3	4	6	8										0	1	2	3	4	6	8	
DETAIL	A					B									A					B									
ACMC151 3mm	M/T	M/T	M/T	M/T	M/T	M/T	M/T	M/T	M/T	M/T	M/T	M/T	M/T	M/T	M/T	M/T	M/T	M/T	M/T	M/T	M/T	M/T	M/T	M/T					
ACMC702 2mm					T												T												
ACMC712 12mm					M							M/T					M							M/T					
ACMC703 3mm				T												T													
ACMC713 13mm				M						M/T						M						M/T							
ACMC704 4mm			T												T														
ACMC714 14mm			M					M/T			M/T				M					M/T			M/T						
ACMC705 5mm		T													T														
ACMC715 15mm		M						M/T							M					M/T									
ACMC706 6mm	T									T	T	T					T					T	T	T					
ACMC716 16mm	M					M/T				2xM T	M	M	M				M/T					2xM T	M	M					
MC007 20x22mm						M/T	M/T	M/T	M/T	M/T	M/T	M/T						M/T	M/T	M/T	M/T	M/T	M/T	M/T					
MC009 5mm																		M/T	M/T	M/T	M/T	M/T	M/T	M/T					
MC006 10mm						3xM 2xT	3xM 2xT	3xM 2xT	3xM 2xT	M/T	M/T	M/T						3xM 2xT	3xM 2xT	3xM 2xT	3xM 2xT	M/T	M/T	M/T					
ACMC2..						ACMC239									ACMC240														
MC005H 21mm						M/T									M/T														
MC008H 5mm						-									-														
MC009H 5mm						M/T									-														
MC006H 10mm						2x M/2x T									3x M/3x T														
M6.3x... DIN7981						ACMC6370									ACMC6380														
ACMC160 8mm						M/T									M/T														

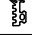

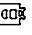




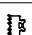
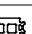
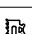
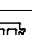

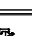
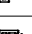

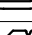

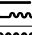
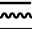
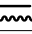
BEGLAZINGSTABELLEN - TABLEAUX DE VITRAGES - VERGLASUNGSTABELLE - GLAZING TABLES

# MC-WALL

## 6.9



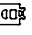



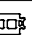
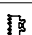
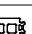
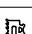
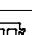
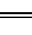
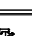
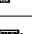

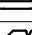

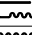
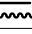
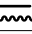
<b>M</b> STIJLEN MONTANTS PFOSTEN MULLIONS												
<b>T</b> REGELS TRAVERSES RIEGEL TRANSOMS												
<b>D [mm]</b>	24		25		26		27		28		29	
<b>DETAIL</b>	A	B	A	B	A	B	A	B	A	B	A	B
ACMC151 3mm	M/T	M/T	M/T	M/T	M/T	M/T	M/T	M/T	M/T	M/T	M/T	M/T
ACMC702 2mm											T	
ACMC712 12mm												M
ACMC703 3mm				T		T		T	T	T		T
ACMC713 13mm				M		M		M	M	M		M
ACMC704 4mm		T						T				
ACMC714 14mm		M						M				
ACMC705 5mm						T						
ACMC715 15mm						M						
ACMC706 6mm		T		T								
ACMC716 16mm		M		M								
MC165		M/T										
MC166				M/T		M/T		M/T		M/T		M/T
MC006 10mm												
ACMC2..	ACMC231											
ACMC729 22mm	M/T											
ACMC731 32mm	-											
ACMC733 42mm	-											
ACMC735 52mm	-											
M6.3x... DIN7981	M6.3x38		ACMC6345									

## 6.10

M STIJLEN MONTANTS PFOSTEN MULLIONS	B		B		B		B		B		B	
	A		A		A		A		A		A	
T REGELS TRAVERSES RIEGEL TRANSOMS	B		B		B		B		B		B	
	A		A		A		A		A		A	
D [mm]	30	31	32	33	34	35	36	37	38	39		
DETAIL	A   B	A   B	A   B	A   B	A   B	A   B	A   B	A   B	A   B	A   B	A   B	A   B
ACMC151 3mm 	M/T	M/T	M/T	M/T	M/T	M/T	M/T	M/T	M/T	M/T	M/T	M/T
ACMC702 2mm 						T						T
ACMC712 12mm 						M						M
ACMC703 3mm 		T		T		T	T			T		
ACMC713 13mm 		M		M		M	M		M/T	M/T	M	M/T
ACMC704 4mm 				T						T		
ACMC714 14mm 				M						M		
ACMC705 5mm 			T						T			
ACMC715 15mm 			M						M			
ACMC706 6mm 	T								T			
ACMC716 16mm 	M								M			
MC166 		M/T		M/T		M/T	M/T	M/T		M/T	M/T	M/T
MC009 5mm 		M/T		M/T		M/T	M/T	M/T				
MC006 10mm 									M	M	M	M
ACMC2.. 	ACMC233					ACMC234						
ACMC729 22mm 						-						
ACMC731 32mm 						M/T						
ACMC733 42mm 						-						
ACMC735 52mm 						-						
M6.3x... DIN7981 	ACMC6350					ACMC6350						



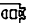
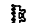
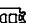

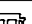
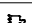
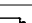
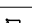




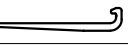
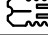
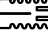
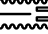


# MC-WALL

## 6.11

M STIJLEN MONTANTS PFOSTEN MULLIONS	B		B		B		B		B		B	
	A		A		A		A		A		A	
T REGELS TRAVERSES RIEGEL TRANSOMS	B		B		B		B		B		B	
	A		A		A		A		A		A	
D [mm]	40	41	42	43	44	45	46	47	48	49		
DETAIL	A   B	A   B	A   B	A   B	A   B	A   B	A   B	A   B	A   B	A   B	A   B	A   B
ACMC151 3mm 	M/T	M/T	M/T	M/T	M/T	M/T	M/T	M/T	M/T	M/T	M/T	M/T
ACMC702 2mm 						T						T
ACMC712 12mm 						M						M
ACMC703 3mm 					T				T			
ACMC713 13mm 		M/T	M/T	M/T	M	M/T	M/T	M/T	M	M/T	M/T	M/T
ACMC704 4mm 				T					T			
ACMC714 14mm 				M					M			
ACMC705 5mm 			T						T			
ACMC715 15mm 			M						M			
ACMC706 6mm 		T							T			
ACMC716 16mm 		M							M			
MC166 		M/T	M/T	M/T	M/T	M/T	M/T	M/T	M/T	M/T	M/T	M/T
MC009 5mm 		M/T	M/T	M/T	M/T	M/T						
MC006 10mm 		M	M	M	M	M			2xM/T	2xM/T	2xM/T	2xM/T
ACMC2.. 	ACMC235					ACMC238						
ACMC729 22mm 						-						
ACMC731 32mm 						-						
ACMC733 42mm 						M/T						
ACMC735 52mm 						-						
M6.3x... DIN7981 	ACMC6360					ACMC6360						

MO\_6.11

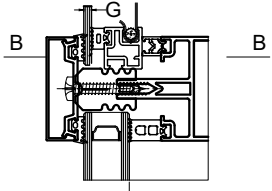
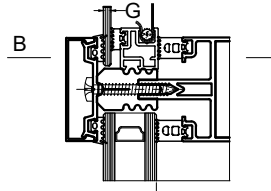
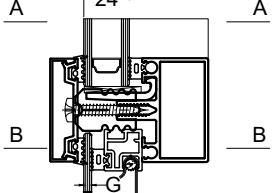
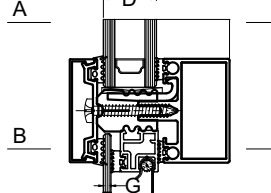


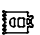
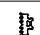
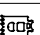
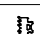
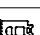
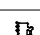
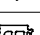
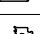
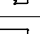
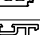
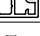
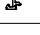
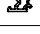
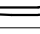
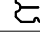
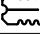
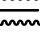
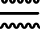
## 6.12

M STIJLEN MONTANTS PFOSTEN MULLIONS	B		B		B		B		B		B		B							
	A		A		A		A		A		A		A							
T REGELS TRAVERSES RIEGEL TRANSOMS	B		B		B		B		B		B		B							
	A		A		A		A		A		A		A							
D [mm]	50		51		52		53		54		55		56		57		58		59	
DETAIL	A	B	A	B	A	B	A	B	A	B	A	B	A	B	A	B	A	B	A	B
ACMC151 3mm 	M/T	M/T	M/T	M/T	M/T	M/T	M/T	M/T	M/T	M/T	M/T	M/T	M/T	M/T	M/T	M/T	M/T	M/T	M/T	M/T
ACMC702 2mm 									T										T	
ACMC712 12mm 									M											M
ACMC703 3mm 							T										T			
ACMC713 13mm 		M/T		M/T		M/T	M	M/T		M/T		M/T		M/T		M	M/T		M/T	
ACMC704 4mm 					T								T							
ACMC714 14mm 					M										M					
ACMC705 5mm 			T									T								
ACMC715 15mm 			M									M								
ACMC706 6mm 	T										T									
ACMC716 16mm 	M										M									
PVC24 x 28 		M/T		M/T		M/T		M/T		M/T		M/T		M/T		M/T		M/T		M/T
MC009 5mm 		M/T		M/T		M/T		M/T		M/T										
MC006 10mm 		2xM/ T		2xM/ T		2xM/ T		2xM/ T		2xM/ T		3xM/ 2xT		3xM/ 2xT		3xM/ 2xT		3xM/ 2xT		3xM/ 2xT
ACMC2.. 	ACMC239										ACMC240									
ACMC729 22mm 	-										-									
ACMC731 32mm 	-										-									
ACMC733 42mm 	-										-									
ACMC735 52mm 	M/T										M/T									
M6.3x... DIN7981 	ACMC6370										ACMC6370									

MO. 6.12

# MC-WALL

## 6.13

M STIJLEN MONTANTS PFOSTEN MULLIONS																				
	T REGELS TRAVERSES RIEGEL TRANSOMS																			
D [mm]		24								25	26	27	28	29						
G [mm]		0	1	2	3	4	6	8						0	1	2	3	4	6	8
DETAIL	A	B							A					B						
ACMC151 3mm 	M/T	M/T	M/T	M/T	M/T	M/T	M/T	M/T	M/T	M/T	M/T	M/T	M/T	M/T	M/T	M/T	M/T	M/T	M/T	
ACMC702 2mm 								M/T										T	M	2xT
ACMC712 12mm 					M/T							M					M	M		
ACMC703 3mm 											T				M/T					M/T
ACMC713 13mm 				M/T							M									
ACMC704 4mm 							M/T				T				M/T		M/T			
ACMC714 14mm 			M/T								M									
ACMC705 5mm 											T				M/T					
ACMC715 15mm 		M/T									M									
ACMC706 6mm 	T					M/T					T				M/T					
ACMC716 16mm 	M										M									
MC007 20x22mm 		M/T	M/T	M/T	M/T	M/T	M/T	M/T							M/T	M/T	M/T	M/T	M/T	M/T
MC009 5mm 		M/T	M/T	M/T	M/T										M/T	M/T	M/T	M/T		
MC006 10mm 		M	M	M	M	M	M	M							M	M	M	M		M
ACMC2.. 	ACMC231								ACMC231											
ACMC729 22mm 	M/T								M/T											
ACMC731 32mm 	-								-											
ACMC733 42mm 	-								-											
ACMC735 52mm 	-								-											
M6.3x... DIN7981 	ACMC6338								ACMC6345											

MOI\_6.13

## 6.14

M STÜLEN MONTANTS PFOSTEN MULLIONS															T REGELS TRAVERSES RIEGEL TRANSOMS														
D [mm]	30	31	32	33	34									35	36	37	38	39											
G [mm]						0	1	2	3	4	6	8									0	1	2	3	4	6	8		
DETAIL	A					B								A					B										
ACMC151 3mm	M/T	M/T	M/T	M/T	M/T	M/T	M/T	M/T	M/T	M/T	M/T	M/T	M/T	M/T	M/T	M/T	M/T	M/T	M/T	M/T	M/T	M/T	M/T	M/T	M/T	M/T	M/T		
ACMC702 2mm					T									M/T												M/T			
ACMC712 12mm					M																					M			
ACMC703 3mm				T														T											
ACMC713 13mm				M						M/T									M					M/T					
ACMC704 4mm			T								M/T							T							M/T				
ACMC714 14mm			M							M/T								M					M/T						
ACMC705 5mm		T																T											
ACMC715 15mm		M								M/T								M					M/T						
ACMC706 6mm	T									M	T	T	T										M	T	T				
ACMC716 16mm	M					M/T				M	M	M	M									M/T		M	M	M			
MC007 20x22mm						M/T	M/T	M/T	M/T	M/T	M/T	M/T										M/T	M/T	M/T	M/T	M/T			
MC009 5mm																						M/T	M/T	M/T	M/T	M/T			
MC006 10mm						M	M	M	M													M	M	M	M				
ACMC2..	ACMC233														ACMC234														
ACMC729 22mm	-														-														
ACMC731 32mm	M/T														M/T														
ACMC733 42mm	-														-														
ACMC735 52mm	-														-														
M6.3x... DIN7981	ACMC6350														ACMC6350														

BEGLAZINGSTABELLEN - TABLEAUX DE VITRAGES - VERGLASUNGSTABELLE - GLAZING TABLES

# MC-WALL

## 6.15

M STÜLEN MONTANTS PFOSTEN MULLIONS																												
	T REGELS TRAVERSES RIEGEL TRANSOMS																											
D [mm]		40	41	42	43	44									45	46	47	48	49									
G [mm]						0	1	2	3	4	6	8									0	1	2	3	4	6	8	
DETAIL	A					B								A					B									
ACMC151 3mm	M/T	M/T	M/T	M/T	M/T	M/T	M/T	M/T	M/T	M/T	M/T	M/T	M/T	M/T	M/T	M/T	M/T	M/T	M/T	M/T	M/T	M/T	M/T	M/T	M/T	M/T	M/T	
ACMC702 2mm					T														T									
ACMC712 12mm					M								M/T					M								M/T		
ACMC703 3mm				T														T										
ACMC713 13mm				M						M/T								M						M/T				
ACMC704 4mm			T														T											
ACMC714 14mm			M					M/T			M/T						M					M/T			M/T			
ACMC705 5mm		T															T											
ACMC715 15mm		M						M/T									M					M/T						
ACMC706 6mm	T									T	T	T	T											T	T	T		
ACMC716 16mm	M					M/T				2xM T	M	M	M							M/T				2xM T	M	M		
MC007 20x22mm						M/T	M/T	M/T	M/T	M/T	M/T	M/T								M/T	M/T	M/T	M/T	M/T	M/T	M/T	M/T	
MC009 5mm																				M/T	M/T	M/T	M/T	M/T	M/T	M/T	M/T	
MC006 10mm						2xM T	2xM T	2xM T	2xM T											2xM T	2xM T	2xM T	2xM T					
ACMC2..	ACMC235														ACMC238													
ACMC729 22mm	-														-													
ACMC731 32mm	-														-													
ACMC733 42mm	M/T														M/T													
ACMC735 52mm	-														-													
M6.3x... DIN7981	ACMC6360														ACMC6360													

MC6.15



## 6.16

M STÜLEN MONTANTS PFOSTEN MULLIONS																														
	T REGELS TRAVERSES RIEGEL TRANSOMS																													
D [mm]		50	51	52	53	54									55	56	57	58	59											
G [mm]						0	1	2	3	4	6	8									0	1	2	3	4	6	8			
DETAIL	A					B								A					B											
ACMC151 3mm	M/T	M/T	M/T	M/T	M/T	M/T	M/T	M/T	M/T	M/T	M/T	M/T	M/T	M/T	M/T	M/T	M/T	M/T	M/T	M/T	M/T	M/T	M/T	M/T	M/T	M/T	M/T			
ACMC702 2mm					T																									
ACMC712 12mm					M								M/T														M/T			
ACMC703 3mm				T																										
ACMC713 13mm				M						M/T																				
ACMC704 4mm			T																											
ACMC714 14mm			M					M/T			M/T																			
ACMC705 5mm		T																												
ACMC715 15mm		M						M/T																						
ACMC706 6mm	T										T	T	T	T												T	T	T		
ACMC716 16mm	M					M/T					2xM T	M	M	M										M/T			2xM T	M	M	
MC007 20x22mm						M/T	M/T	M/T	M/T	M/T	M/T	M/T												M/T	M/T	M/T	M/T	M/T	M/T	
MC009 5mm																								M/T	M/T	M/T	M/T	M/T	M/T	M/T
MC006 10mm																														
						3xM 2xT	3xM 2xT	3xM 2xT	3xM 2xT	M/T	M/T	M/T																		
ACMC2..	ACMC239														ACMC240															
ACMC729 22mm	-														-															
ACMC731 32mm	-														-															
ACMC733 42mm	-														-															
ACMC735 52mm	M/T														M/T															
M6.3x... DIN7981	ACMC6370														ACMC6370															

BEGLAZINGSTABELLEN - TABLEAUX DE VITRAGES - VERGLASUNGSTABELLE - GLAZING TABLES

# MC-WALL

## 7.1

M	STÜLEN MONTANTS PFOSTEN MULLIONS																							
T	REGELS TRAVERSES RIEGEL TRANSOMS																							
EXTERIOR GLASS PLATE (mm)	6 (Gehard glas -Verre trempé - Sicherheitsglas - Tempered glass) (*)																							
GLASS SPACER (mm)	16																							
INTERIOR GLASS PLATE (mm)	6 (*)	8 (*)	9 (44.2)	10 (*)	11 (55.2)	12 (*)	13 (66.2)																	
SILICON (mm²)	162.5																							
ACMC0525S 5mm	M/T x2																							
ACMC0725S 7mm	-																							
ACMC1025S 10mm	-																							
ACMC2525S 25mm	-																							
DETAIL	A	B	C	D	A	B	C	D	A	B	C	D	A	B	C	D	A	B	C	D	A	B	C	D
ACMC702 2mm													T											
ACMC712 12mm													M											
ACMC703 3mm									T															
ACMC713 13mm	M/T				M/T				M	M/T			M/T				M/T				M/T			
ACMC704 4mm			T		T						T				T				T		T			T
ACMC714 14mm			M		M						M				M				M		M			M
ACMC705 5mm																	T							
ACMC715 15mm																	M							
ACMC706 6mm	T		T				T				T				T				T					T
ACMC716 16mm	M		M				M				M				M				M					M
MC006 10mm		M				M				M				M				M				M		
MC009 5mm													M/T	M/T	M/T	M/T	M/T	M/T	M/T	M/T	M/T	M/T	M/T	M/T
MC008 5mm	M/T				M/T				M/T				M/T				M/T				M/T			
MC007 20x22mm		M/T				M/T				M/T				M/T				M/T				M/T		
MC165			M/T				M/T				M/T				M/T				M/T				M/T	
MC066		M/T				M/T				M/T				M/T				M/T				M/T		
ACMC1564 6.4x6mm		M/T				M/T				M/T				M/T				M/T				M/T		
ACMC2..	ACMC232								ACMC233															
M6.3x... DIN7982	ACMC6325S								ACMC6332S															

## 7.2

M	STÜLEN MONTANTS PFOSTEN MULLIONS																												
T	REGELS TRAVERSES RIEGEL TRANSOMS																												
EXTERIOR GLASS PLATE (mm)		8 (Gehard glas -Verre trempé - Sicherheitsglas - Tempered glass) (*)																											
GLASS SPACER (mm)		16																											
INTERIOR GLASS PLATE (mm)		6 (*)	8 (*)	9 (44.2)	10 (*)	11 (55.2)	12 (*)	13 (66.2)																					
SILICON (mm²)		150																											
ACMC0525S 5mm		M/T																											
ACMC0725S 7mm		M/T																											
ACMC1025S 10mm		-																											
ACMC2525S 25mm		-																											
DETAIL		A	B	C	D	A	B	C	D	A	B	C	D	A	B	C	D	A	B	C	D	A	B	C	D				
ACMC702 2mm																													
ACMC712 12mm																													
ACMC703 3mm																													
ACMC713 13mm																													
ACMC704 4mm																													
ACMC714 14mm																													
ACMC705 5mm																													
ACMC715 15mm																													
ACMC706 6mm																													
ACMC716 16mm																													
MC006 10mm																													
MC009 5mm																													
MC008 5mm																													
MC007 20x22mm																													
MC165																													
MC066																													
ACMC1564 6.4x6mm																													
ACMC2..		ACMC232								ACMC233																			
M6.3x... DIN7982		ACMC6325S								ACMC6332S																			

# MC-WALL

## 7.3

M	STÜLEN MONTANTS PPOSTEN MULLIONS				B				C				D												
T	REGELS TRAVERSES RIEGEL TRANSOMS				B				C				D												
EXTERIOR GLASS PLATE (mm)	9 (44.2)																								
GLASS SPACER (mm)	16																								
INTERIOR GLASS PLATE (mm)	6 (*)	8 (*)	9 (44.2)	10 (*)	11 (55.2)	12 (*)	13 (66.2)																		
SILICON (mm²)	200																								
ACMC0525S 5mm	M/T																								
ACMC0725S 7mm	M/T																								
ACMC1025S 10mm	-																								
ACMC2525S 25mm	-																								
DETAIL	A	B	C	D	A	B	C	D	A	B	C	D	A	B	C	D	A	B	C	D	A	B	C	D	
ACMC702 2mm				T				T				T	T			T				T				T	
ACMC712 12mm				M				M				M	M			M				M				M	
ACMC703 3mm								T																	
ACMC713 13mm								M																	
ACMC704 4mm								T																T	
ACMC714 14mm								M																M	
ACMC705 5mm																								T	
ACMC715 15mm																								M	
ACMC706 6mm	T		T					T				T				T	T		T					T	
ACMC716 16mm	M	M/T	M					M/T	M				M/T	M				M	M/T	M				M/T	M
MC006 10mm		M						M				M				M				M/T				M	M/T
MC009 5mm				M/T				M/T				M/T				M/T	M/T	M/T	M/T	M/T	M/T	M/T	M/T	M/T	M/T
MC008 5mm	M/T				M/T			M/T				M/T				M/T				M/T				M/T	
MC007 20x22mm		M/T						M/T				M/T				M/T				M/T				M/T	
MC165				M/T				M/T				M/T				M/T				M/T				M/T	
MC066				M/T				M/T				M/T				M/T				M/T				M/T	
ACMC1564 6.4x6mm				M/T				M/T				M/T				M/T				M/T				M/T	
ACMC2..	ACMC232								ACMC233																
M6.3x... DIN7982	ACMC6325S								ACMC6332S																

(\*) (Gehard glas - Verre trempé - Sicherheitsglas - Tempered glass)

## 7.4

M	STÜLEN MONTANTS PFOSTEN MULLIONS				A				B				C				D							
T	REGELS TRAVERSES RIEGEL TRANSOMS				A				B				C				D							
EXTERIOR GLASS PLATE (mm)	10 (Gehard glas -Verre trempé - Sicherheitsglas - Tempered glass) (*)																							
GLASS SPACER (mm)	16																							
INTERIOR GLASS PLATE (mm)	6 (*)	8 (*)	9 (44.2)	10 (*)	11 (55.2)	12 (*)	13 (66.2)																	
SILICON (mm <sup>2</sup> )	150																							
ACMC0525S 5mm	-																							
ACMC0725S 7mm	2x M/T																							
ACMC1025S 10mm	-																							
ACMC2525S 25mm	-																							
DETAIL	A	B	C	D	A	B	C	D	A	B	C	D	A	B	C	D	A	B	C	D	A	B	C	D
ACMC702 2mm													T											
ACMC712 12mm		M/T				M/T				M/T			M	M/T				M/T				M/T		
ACMC703 3mm				T				T	T			T				T				T				T
ACMC713 13mm				M				M	M			M				M				M				M
ACMC704 4mm					T																	T		
ACMC714 14mm					M																	M		
ACMC705 5mm																	T							
ACMC715 15mm																	M							
ACMC706 6mm	T		T					T				T				T				T				T
ACMC716 16mm	M		M					M				M				M				M				M
MC006 10mm		M				M				M				M			2xM/T	M/T	2xM/T	M/T	2xM/T	M/T	2xM/T	M/T
MC009 5mm		M/T		M/T		M/T		M/T		M/T		M/T		M/T		M/T		M/T		M/T		M/T		M/T
MC008 5mm	M/T				M/T				M/T				M/T					M/T				M/T		
MC007 20x22mm		M/T				M/T				M/T				M/T				M/T				M/T		
PVC20 x 26				M/T				M/T				M/T				M/T				M/T				M/T
MC066			M/T			M/T				M/T				M/T				M/T				M/T		
ACMC1564 6.4x6mm			M/T			M/T				M/T				M/T				M/T				M/T		
ACMC2..	ACMC233																ACMC234							
M6.3x... DIN7982	ACMC6325S																ACMC6332S							

BEGLAZINGSTABELLEN - TABLEAUX DE VITRAGES - VERGLASUNGSTABELLE - GLAZING TABLES

# MC-WALL

## 7.5

M	STÜLEN MONTANTS PFOSTEN MULLIONS				B				C				D											
T	REGELS TRAVERSES RIEGEL TRANSOMS				B				C				D											
EXTERIOR GLASS PLATE (mm)	11 (55.2)																							
GLASS SPACER (mm)	16																							
INTERIOR GLASS PLATE (mm)	6 (*)	8 (*)	9 (44.2)	10 (*)	11 (55.2)	12 (*)	13 (66.2)																	
SILICON (mm <sup>2</sup> )	150																							
ACMC0525S 5mm	M/T																							
ACMC0725S 7mm	-																							
ACMC1025S 10mm	M/T																							
ACMC2525S 25mm	-																							
DETAIL	A	B	C	D	A	B	C	D	A	B	C	D	A	B	C	D	A	B	C	D	A	B	C	D
ACMC702 2mm													T											
ACMC712 12mm													M											
ACMC703 3mm									T															
ACMC713 13mm	M/T				M/T				M	M/T			M/T				M/T				M/T			
ACMC704 4mm			T	T	T		T				T				T				T	T			T	
ACMC714 14mm			M	M	M		M				M				M				M	M			M	
ACMC705 5mm																	T							
ACMC715 15mm																	M							
ACMC706 6mm	T	T				T					T				T	T			T				T	
ACMC716 16mm	M	M				M					M				M	M			M				M	
MC006 10mm		M				M					M				2xM/T	M/T			2xM/T	M/T			2xM/T	M/T
MC009 5mm	M/T		M/T		M/T		M/T		M/T		M/T		M/T		M/T		M/T		M/T		M/T		M/T	
MC008 5mm	M/T				M/T				M/T				M/T				M/T				M/T			
MC007 20x22mm	M/T				M/T				M/T				M/T				M/T				M/T			
MC165			M/T				M/T				M/T				M/T				M/T				M/T	
MC066		M/T				M/T					M/T				M/T				M/T				M/T	
ACMC1564 6.4x6mm		M/T				M/T					M/T				M/T				M/T				M/T	
ACMC2..	ACMC233								ACMC234															
M6.3... DIN7982	ACMC6325S								ACMC6332S															

(\*) (Gehard glas -Verre trempé - Sicherheitsglas - Tempered glass)

## 7.6

M	STÜLEN MONTANTS PPOSTEN MULLIONS				B				C				D											
T	REGELS TRAVERSES RIEGEL TRANSOMS				B				C				D											
EXTERIOR GLASS PLATE (mm)	12 (Gehard glas -Verre trempé - Sicherheitsglas - Tempered glass) (*)																							
GLASS SPACER (mm)	16																							
INTERIOR GLASS PLATE (mm)	6 (*)	8 (*)	9 (44.2)	10 (*)	11 (55.2)	12 (*)	13 (66.2)																	
SILICON (mm <sup>2</sup> )	175																							
ACMC0525S 5mm	M/T																							
ACMC0725S 7mm	-																							
ACMC1025S 10mm	M/T																							
ACMC2525S 25mm	-																							
PRZEKRÓJ	A	B	C	D	A	B	C	D	A	B	C	D	A	B	C	D	A	B	C	D	A	B	C	D
ACMC702 2mm													T											
ACMC712 12mm													M											
ACMC703 3mm																								
ACMC713 13mm																								
ACMC704 4mm																								
ACMC714 14mm																								
ACMC705 5mm																								
ACMC715 15mm																								
ACMC706 6mm																								
ACMC716 16mm																								
MC006 10mm																								
MC009 5mm																								
MC008 5mm																								
MC007 20x22mm																								
MC165																								
MC066																								
ACMC1564 6.4x6mm																								
ACMC2..	ACMC233								ACMC234															
M6.3x... DIN7982	ACMC6325S								ACMC6332S															

BEGLAZINGSTABELLEN - TABLEAUX DE VITRAGES - VERGLASUNGSTABELLE - GLAZING TABLES

W07.4

# MC-WALL

## 7.7

M	STÜLEN MONTANTS PFOSTEN MULLIONS				B				C				D											
T	REGELS TRAVERSES RIEGEL TRANSOMS				B				C				D											
EXTERIOR GLASS PLATE (mm)	13 (66.2)																							
GLASS SPACER (mm)	16																							
INTERIOR GLASS PLATE (mm)	6 (*)	8 (*)	9 (44.2)	10 (*)	11 (55.2)	12 (*)	13 (66.2)																	
SILICON (mm <sup>2</sup> )	200																							
ACMC0525S 5mm	M/T																							
ACMC0725S 7mm	-																							
ACMC1025S 10mm	M/T																							
ACMC2525S 25mm	-																							
DETAIL	A	B	C	D	A	B	C	D	A	B	C	D	A	B	C	D	A	B	C	D	A	B	C	D
ACMC702 2mm													T											
ACMC712 12mm													M											
ACMC703 3mm																								
ACMC713 13mm																								
ACMC704 4mm																								
ACMC714 14mm																								
ACMC705 5mm																								
ACMC715 15mm																								
ACMC706 6mm																								
ACMC716 16mm																								
MC006 10mm																								
MC009 5mm																								
MC008 5mm																								
MC007 20x22mm																								
MC165																								
MC066																								
ACMC1564 6.4x6mm																								
ACMC2..	ACMC233								ACMC234															
M6.3x... DIN7982	ACMC6325S								ACMC6332S															

(\*) (Gehard glas - Verre trempé - Sicherheitsglas - Tempered glass)



## 8.1

# MC-WALL

## 9.1

M STÜLEN MONTANTS PFOSTEN MULLIONS																																
VERTICAL LINE																																
T REGELES TRAVERSES RIEGEL TRANSOMS																																
M STÜLEN MONTANTS PFOSTEN MULLIONS																																
HORIZONTAL LINE																																
T REGELES TRAVERSES RIEGEL TRANSOMS																																
EXTERIOR GLASS PLATE (mm)	6 (*)																															
GLASS SPACER (mm)	16																															
INTERIOR GLASS PLATE (mm)	6 (*)				8 (*)				9 (44.2)				10 (*)				11 (55.2)				12 (*)				13 (66.2)							
DETAIL	A	B	C	D	A	B	C	D	A	B	C	D	A	B	C	D	A	B	C	D	A	B	C	D	A	B	C	D				
ACMC151 3mm	M/T	M/T	M/T	M/T	M/T	M/T	M/T	M/T	M/T	M/T	M/T	M/T	M/T	M/T	M/T	M/T	M/T	M/T	M/T	M/T	M/T	M/T	M/T	M/T	M/T	M/T	M/T	M/T				
ACMC702 2mm													T																			
ACMC712 12mm													M																			
ACMC703 3mm									T																							
ACMC713 13mm	M/T				M/T				M	M/T			M/T				M/T				M/T				M/T							
ACMC704 4mm					T																				T							
ACMC714 14mm					M																				M							
ACMC705 5mm																					T											
ACMC715 15mm																					M											
ACMC706 6mm	T		T				T					T				T	T		T					T				T				
ACMC716 16mm	M		M				M					M				M	M		M					M				M				
ACMC720 7mm																																
MC006 10mm	2xM/ 2xT	M			2xM/ 2xT	M			2xM/ 2xT	M			2xM/ 2xT	M			2xM/ 2xT	M			2xM/ 2xT	M			2xM/ 2xT	M						
MC009 5mm																	M/T	M/T	M/T	M/T	M/T	M/T	M/T	M/T	M/T	M/T	M/T	M/T				
MC008 5mm	M/T				M/T				M/T				M/T				M/T				M/T				M/T							
MC007 20x22mm	M/T				M/T				M/T				M/T				M/T				M/T				M/T							
MC165			M/T				M/T				M/T				M/T				M/T				M/T				M/T					
MC066		M/T				M/T				M/T				M/T				M/T				M/T				M/T						
ACMC1564 6.4x6mm		M/T				M/T				M/T				M/T				M/T				M/T				M/T						
ACMC2.	ACMC232																ACMC233															
M6.3x... DIN7981	ACMC6345																ACMC6350															

(\*) (Gehard glas - Verre trempé - Sicherheitsglas - Tempered glass)

## 9.2

	M STULEN MONTANTS PFOSTEN MULLIONS		T REGELES TRAVERSES RIEGEL TRANSOMS		M STULEN MONTANTS PFOSTEN MULLIONS		T REGELES TRAVERSES RIEGEL TRANSOMS		M STULEN MONTANTS PFOSTEN MULLIONS		T REGELES TRAVERSES RIEGEL TRANSOMS									
	VERTICAL LINE				HORIZONTAL LINE				VERTICAL LINE											
EXTERIOR GLASS PLATE (mm)	8 (*)																			
GLASS SPACER (mm)	16																			
INTERIOR GLASS PLATE (mm)	6 (*)		8 (*)		9 (44.2)		10 (*)		11 (55.2)		12 (*)		13 (66.2)							
DETAIL	A	B	C	D	A	B	C	D	A	B	C	D	A	B	C	D	A	B	C	D
ACMC151 3mm	M/T	M/T	M/T	M/T	M/T	M/T	M/T	M/T	M/T	M/T	M/T	M/T	M/T	M/T	M/T	M/T	M/T	M/T	M/T	M/T
ACMC702 2mm													T							
ACMC712 12mm													M							
ACMC703 3mm																				
ACMC713 13mm																				
ACMC704 4mm																				
ACMC714 14mm																				
ACMC705 5mm																				
ACMC715 15mm																				
ACMC706 6mm																				
ACMC716 16mm																				
ACMC720 7mm																				
MC006 10mm																				
MC009 5mm																				
MC005 21mm																				
MC007 20X22mm																				
MC165																				
MC066																				
ACMC1564 6.4x6mm																				
ACMC2..	ACMC232												ACMC233							
M6.3x... DIN7981	ACMC6345												ACMC6350							

(\*) (Gehard glas -Verre trempé - Sicherheitsglas - Tempered glass)

# MC-WALL

## 9.3

M STÜLEN MONTANTS PPOSTEN MULLIONS	A				B				C				D																			
	A				B				C				D																			
VERTICAL LINE	A				B				C				D																			
T REGELS TRAVERSES RIEGEL TRANSOMS	A				B				C				D																			
M STÜLEN MONTANTS PPOSTEN MULLIONS	A				B				C				D																			
	A				B				C				D																			
HORIZONTAL LINE	A				B				C				D																			
T REGELS TRAVERSES RIEGEL TRANSOMS	A				B				C				D																			
EXTERIOR GLASS PLATE (mm)	9 (44.2)																															
GLASS SPACER (mm)	16																															
INTERIOR GLASS PLATE (mm)	6 (*)				8 (*)				9 (44.2)				10 (*)				11 (55.2)				12 (*)				13 (66.2)							
DETAIL	A	B	C	D	A	B	C	D	A	B	C	D	A	B	C	D	A	B	C	D	A	B	C	D	A	B	C	D				
ACMC151 3mm	M/T	M/T	M/T	M/T	M/T	M/T	M/T	M/T	M/T	M/T	M/T	M/T	M/T	M/T	M/T	M/T	M/T	M/T	M/T	M/T	M/T	M/T	M/T	M/T	M/T	M/T	M/T	M/T				
ACMC702 2mm				T				T				T				T				T				T				T				
ACMC712 12mm				M				M				M				M				M				M				M				
ACMC703 3mm												T																				
ACMC713 13mm												M																				
ACMC704 4mm								T																				T				
ACMC714 14mm								M																				M				
ACMC705 5mm																												T				
ACMC715 15mm																												M				
ACMC706 6mm	T		T					T				T				T				T				T				T				
ACMC716 16mm	M	M/T	M					M/T	M				M/T	M				M/T	M				M/T	M				M/T	M			
ACMC720 7mm	M/T							M/T					M/T					M/T					M/T					M/T				
MC006 10mm		M						M					M					M	M/T				M	M/T				M	M/T			
MC009 5mm				M/T				M/T				M/T				M/T	M/T	M/T	M/T				M/T	M/T	M/T	M/T	M/T		M/T	M/T		
MC005 21mm	M/T							M/T					M/T					M/T					M/T					M/T				
MC007 20x22mm		M/T						M/T					M/T					M/T					M/T					M/T				
MC165				M/T				M/T				M/T				M/T				M/T				M/T				M/T				
MC066				M/T				M/T				M/T				M/T				M/T				M/T				M/T				
ACMC1564 6.4x6mm				M/T				M/T				M/T				M/T				M/T				M/T				M/T				
ACMC2..	ACMC232																ACMC233															
M6.3k...DIN7981	ACMC6345																ACMC6350															

(\*) (Gehard glas - Verre trempé - Sicherheitsglas - Tempered glass)

## 9.4

	M STULEN MONTANTS PPOSTEN MULLIONS		B		C		D													
	A	A	B	B	C	C	D	D												
VERTICAL LINE																				
	T REGELS TRAVERSES RIEGEL TRANSOMS		B		C		D													
	A	A	B	B	C	C	D	D												
HORIZONTAL LINE																				
T																				
EXTERIOR GLASS PLATE (mm)	10 (*)																			
GLASS SPACER (mm)	16																			
INTERIOR GLASS PLATE (mm)	6 (*)		8 (*)		9 (44.2)		10 (*)		11 (55.2)		12 (*)		13 (66.2)							
DETAIL	A	B	C	D	A	B	C	D	A	B	C	D	A	B	C	D	A	B	C	D
ACMC151 3mm	M/T	M/T	M/T	M/T	M/T	M/T	M/T	M/T	M/T	M/T	M/T	M/T	M/T	M/T	M/T	M/T	M/T	M/T	M/T	M/T
ACMC702 2mm									T											
ACMC712 12mm	M/T				M/T				M	M/T			M/T				M/T			
ACMC703 3mm				T				T				T				T				T
ACMC713 13mm			M				M	M			M				M				M	
ACMC704 4mm					T														T	
ACMC714 14mm					M														M	
ACMC705 5mm																	T			
ACMC715 15mm																	M			
ACMC706 6mm	T		T				T				T		T		T				T	
ACMC716 16mm	M		M				M				M		M		M				M	
ACMC720 7mm	M/T				M/T				M/T				M/T				M/T			
MC006 10mm		M				M				M			2xM		M/T		2xM		M/T	
MC009 5mm	M/T		M/T		M/T		M/T		M/T		M/T		M/T		M/T		M/T		M/T	
MC005 21mm	M/T				M/T				M/T				M/T				M/T			
MC007 20x22mm	M/T				M/T				M/T				M/T				M/T			
MC165			M/T				M/T				M/T				M/T				M/T	
MC066		M/T				M/T				M/T				M/T				M/T		
ACMC1564 6.4x6mm		M/T				M/T				M/T				M/T				M/T		
ACMC2..	ACMC233								ACMC234											
M6.3k...DIN7981	ACMC6345								ACMC6350											

(\*) (Gehard glas - Verre trempé - Sicherheitsglas - Tempered glass)

# MC-WALL

## 9.5

M STÜLEN MONTANTS PFOSTEN MULLIONS	A				B				C				D																			
	A				B				C				D																			
VERTICAL LINE	A				B				C				D																			
T REGELS TRAVERSES RIEGEL TRANSOMS	A				B				C				D																			
	A				B				C				D																			
HORIZONTAL LINE	A				B				C				D																			
EXTERIOR GLASS PLATE (mm)	11 (55.2)																															
GLASS SPACER (mm)	16																															
INTERIOR GLASS PLATE (mm)	6 (*)				8 (*)				9 (44.2)				10 (*)				11 (55.2)				12 (*)				13 (66.2)							
DETAIL	A	B	C	D	A	B	C	D	A	B	C	D	A	B	C	D	A	B	C	D	A	B	C	D	A	B	C	D				
ACMC151 3mm	M/T	M/T	M/T	M/T	M/T	M/T	M/T	M/T	M/T	M/T	M/T	M/T	M/T	M/T	M/T	M/T	M/T	M/T	M/T	M/T	M/T	M/T	M/T	M/T	M/T	M/T	M/T	M/T				
ACMC702 2mm													T																			
ACMC712 12mm													M																			
ACMC703 3mm									T																							
ACMC713 13mm		M/T				M/T			M	M/T				M/T				M/T				M/T				M/T						
ACMC704 4mm			T	T		T				T				T				T				T				T						
ACMC714 14mm			M	M		M				M				M				M				M				M						
ACMC705 5mm																		T														
ACMC715 15mm																		M														
ACMC706 6mm	T		T			T				T				T			T		T			T				T						
ACMC716 16mm	M		M			M				M				M			M		M			M				M						
ACMC720 7mm	M/T				M/T				M/T				M/T				M/T				M/T				M/T							
MC006 10mm		M				M				M				M			2xM		M/T		2xM		M/T		2xM		M/T					
MC009 5mm	M/T		M/T		M/T		M/T		M/T		M/T		M/T		M/T		M/T		M/T		M/T		M/T		M/T		M/T					
MC005 21mm	M/T				M/T				M/T				M/T				M/T				M/T				M/T							
MC007 20x22mm	M/T				M/T				M/T				M/T				M/T				M/T				M/T							
MC165			M/T			M/T				M/T				M/T				M/T				M/T				M/T						
MC066		M/T				M/T				M/T				M/T				M/T				M/T				M/T						
ACMC1564 6.4x6mm		M/T				M/T				M/T				M/T				M/T				M/T				M/T						
ACMC2..	ACMC233																ACMC234															
M6.3x...DIN7981	ACMC6345																ACMC6350															

(\*) (Gehard glas - Verre trempé - Sicherheitsglas - Tempered glass)

## 9.6

	M STULEN MONTANTS PFOSTEN MULLIONS		B		C		D													
	A	A	B	B	C	C	D	D												
VERTICAL LINE																				
	T REGELS TRAVERSES RIEGEL TRANSOMS		B		C		D													
	A	A	B	B	C	C	D	D												
HORIZONTAL LINE																				
T																				
EXTERIOR GLASS PLATE (mm)	12 (*)																			
GLASS SPACER (mm)	16																			
INTERIOR GLASS PLATE (mm)	6 (*)		8 (*)		9 (44.2)		10 (*)		11 (55.2)		12 (*)		13 (66.2)							
DETAIL	A	B	C	D	A	B	C	D	A	B	C	D	A	B	C	D	A	B	C	D
ACMC151 3mm	M/T	M/T	M/T	M/T	M/T	M/T	M/T	M/T	M/T	M/T	M/T	M/T	M/T	M/T	M/T	M/T	M/T	M/T	M/T	M/T
ACMC702 2mm									T											
ACMC712 12mm									M											
ACMC703 3mm																				
ACMC713 13mm									M											
ACMC704 4mm					T															
ACMC714 14mm	M/T				M	M/T			M/T				M/T				M	M/T		
ACMC705 5mm													T	T						T
ACMC715 15mm					M				M				M	M			M			M
ACMC706 6mm	T		T										T	T						T
ACMC716 16mm	M		M						M				M	M						M
ACMC720 7mm																				
MC006 10mm	M/T	M			M/T	M			M/T	M			M/T	2xM/T	M/T		M/T	2xM/T	M/T	
MC009 5mm		M/T		M/T	M/T		M/T		M/T	M/T		M/T	M/T	M/T		M/T	M/T	M/T		M/T
MC005 21mm	M/T				M/T				M/T				M/T				M/T			
MC007 20x22mm	M/T				M/T				M/T				M/T				M/T			
MC165				M/T				M/T				M/T				M/T				M/T
MC066			M/T				M/T								M/T				M/T	
ACMC1564 6.4x6mm		M/T					M/T								M/T				M/T	
ACMC2..	ACMC233								ACMC234											
M6.3x...DIN7981	ACMC6345								ACMC6350											

(\*) (Gehard glas - Verre trempé - Sicherheitsglas - Tempered glass)

# MC-WALL

## 9.7

	M STULEN MONTANTS PFOSTEN MULLIONS		B		C		D													
	A	A	B	B	C	C	D	D												
VERTICAL LINE																				
T REGELS TRAVERSES RIEGEL TRANSOMS																				
HORIZONTAL LINE																				
T REGELS TRAVERSES RIEGEL TRANSOMS																				
EXTERIOR GLASS PLATE (mm)	13 (66.2)																			
GLASS SPACER (mm)	16																			
INTERIOR GLASS PLATE (mm)	6 (*)		8 (*)		9 (44.2)		10 (*)		11 (55.2)		12 (*)		13 (66.2)							
DETAIL	A	B	C	D	A	B	C	D	A	B	C	D	A	B	C	D	A	B	C	D
ACMC151 3mm	M/T	M/T	M/T	M/T	M/T	M/T	M/T	M/T	M/T	M/T	M/T	M/T	M/T	M/T	M/T	M/T	M/T	M/T	M/T	M/T
ACMC702 2mm									T											
ACMC712 12mm									M											
ACMC703 3mm																				
ACMC713 13mm									M											
ACMC704 4mm					T															
ACMC714 14mm					M															
ACMC705 5mm													T							
ACMC715 15mm	M/T				M/T				M/T				M/T				M	M/T		
ACMC706 6mm	T	T	T		T	T			T	T			T	T			T	T		
ACMC716 16mm	M	M	M		M	M			M	M			M	M			M	M		
ACMC720 7mm																				
MC006 10mm	M/T	M			M/T	M			M/T	M			M/T	2xM	M/T	M/T	M/T	2xM	M/T	M/T
MC009 5mm	M/T		M/T		M/T		M/T		M/T		M/T		M/T		M/T		M/T		M/T	
MC005 21mm	M/T				M/T				M/T				M/T				M/T			
MC007 20x22mm	M/T				M/T				M/T				M/T				M/T			
MC165			M/T				M/T				M/T				M/T				M/T	
MC066		M/T				M/T				M/T				M/T				M/T		
ACMC1564 6.4x6mm		M/T				M/T				M/T				M/T				M/T		
ACMC2.	ACMC233								ACMC234											
M6.3x... DIN7981	ACMC6345								ACMC6350											

(\*) (Gehard glas - Verre trempé - Sicherheitsglas - Tempered glass)



## 10.1

M	STÜLEN MONTANTS POSTEN MULLIONS		A		B		C		D																
T	REGELS TRAVERSES RIEGEL TRANSOMS		A		B		C		D																
EXTERIOR GLASS PLATE + GLASS SPACER + INTERIOR GLASS PLATE (ZS)		20																							
GLASS SPACER (RW)		16																							
INTERIOR GLASS PLATE (SW)		6 (*)	8 (*)	9 (44.2)	10 (*)	11 (55.2)	12 (*)	13 (66.2)																	
SILICON (mm <sup>2</sup> )		162.5																							
ACMC0525S 5mm		-																							
ACMC0725S 7mm		M/T x2																							
ACMC1025S 10mm		M/T																							
ACMC2525S 25mm		-																							
DETAIL		A	B	C	D	A	B	C	D	A	B	C	D	A	B	C	D	A	B	C	D	A	B	C	D
ACMC702 2mm		T																							
ACMC712 12mm		M/T	M/T	M/T		M/T	M/T		M/T	M	M/T	M/T	M/T		M/T	M/T		M/T	M/T		M/T	M/T			
ACMC703 3mm		T																							
ACMC713 13mm		M/T		M/T		M	M/T		M/T		M/T		M/T		M/T		M/T		M/T		M/T				
ACMC704 4mm		T																							
ACMC714 14mm		M																							
ACMC705 5mm		T																							
ACMC715 15mm		M																							
ACMC706 6mm		T	T																						
ACMC716 16mm		M	M																						
MC006 10mm		2xM	2xM	2xM	2xM	2xM	2xM	2xM	2xM	2xM	2xM	3xM	2xM	3xM	2xM	3xM	2xM	3xM	2xM	3xM	2xM	3xM	2xM		
MC009 5mm		M/T	M/T	M/T	M/T	M/T	M/T	M/T	M/T	M/T	M/T	M/T	M/T	M/T	M/T	M/T	M/T	M/T	M/T	M/T	M/T	M/T	M/T		
MC008 5mm		M/T	M/T																						
MC005 21mm		M/T		M/T		M/T		M/T		M/T		M/T		M/T		M/T		M/T		M/T		M/T			
MC007 20X22mm		M/T	M/T																						
MC165 20X26mm		M/T		M/T		M/T		M/T		M/T		M/T		M/T		M/T		M/T		M/T		M/T			
MC116 10mm		M																							
MC118 20mm		M																							
MC096		M/T	M/T		M/T		M/T		M/T		M/T		M/T		M/T		M/T		M/T		M/T				
ACMC1564 6.4x8mm		M/T	M/T																						
ACMC6345S		M/T	M/T																						
M6.3x... DIN7982		ACMC6325S										ACMC6332S													
ACMC2..		ACMC235										ACMC238													

(\*) (Gehard glas - Verre trempé - Sicherheitsglas - Tempered glass)

BEGLAZINGSTABELLEN - TABLEAUX DE VITRAGES - VERGLASUNGSTABELLE - GLAZING TABLES

# MC-WALL

## 10.2

	M STÜLEN MONTANTS PFOSTEN MULLIONS				T REGELS TRAVERSES RIEGEL TRANSOMS																	
	A	B	C	D	A	B	C	D														
EXTERIOR GLASS PLATE + GLASS SPACER + INTERIOR GLASS PLATE (ZS)	22																					
GLASS SPACER (RW)	16																					
INTERIOR GLASS PLATE (SW)	6 (*)	8 (*)	9 (44.2)	10 (*)	11 (55.2)	12 (*)	13 (66.2)															
SILICON (mm <sup>2</sup> )	187.5																					
ACMC0525S 5mm	M/T																					
ACMC0725S 7mm	-																					
ACMC1025S 10mm	M/T x2																					
ACMC2525S 25mm	-																					
DETAIL	A	B	C	D	A	B	C	D	A	B	C	D	A	B	C	D	A	B	C	D		
ACMC702 2mm									T													
ACMC712 12mm			M/T			M/T			M/T	M	M/T				M/T				M/T		M/T	
ACMC703 3mm									T													
ACMC713 13mm									M													
ACMC704 4mm						T															T	
ACMC714 14mm		M/T			M	M/T			M/T		M/T				M/T				M/T		M	M/T
ACMC705 5mm															T							
ACMC715 15mm			M/T			M/T			M/T		M/T				M/T	M			M/T			M/T
ACMC706 6mm		T													T							
ACMC716 16mm		M													M							
MC006 10mm		2xM T	2xM T		2xM T	2xM T		2xM T	2xM T	2xM T	2xM T		3xM 2xT T		3xM 2xT T		3xM 2xT T		3xM 2xT T		3xM 2xT T	
MC009 5mm		M/T	M/T		M/T	M/T		M/T	M/T	M/T	M/T		M/T	M/T	M/T	M/T		M/T	M/T	M/T	M/T	
MC008 5mm		M/T			M/T			M/T		M/T			M/T		M/T			M/T		M/T		
MC005 21mm			M/T			M/T			M/T		M/T			M/T				M/T		M/T		
MC007 20X22mm		M/T			M/T			M/T		M/T			M/T		M/T			M/T		M/T		
MC165 20X26mm			M/T			M/T			M/T		M/T			M/T				M/T		M/T		
MC116 10mm			M			M			M		M			T				T		T		
MC118 20mm														M				M			M	
MC066		M/T			M/T			M/T		M/T			M/T		M/T			M/T		M/T		
ACMC1564 6.4x8mm		M/T			M/T			M/T		M/T			M/T		M/T			M/T		M/T		
ACMC6345S		M/T			M/T			M/T		M/T			M/T		M/T			M/T		M/T		
M6.3x... DIN7982	ACMC6325S								ACMC6332S													
ACMC2..	ACMC235								ACMC238													

(\*) (Gehard glas - Verre trempé - Sicherheitsglas - Tempered glass)

## 10.3

M	STÜLEN MONTANTS POSTEN MULLIONS				B				C				D							
T	REGELES TRAVERSES RIEGEL TRANSOMS				B				C				D							
EXTERIOR GLASS PLATE + GLASS SPACER + INTERIOR GLASS PLATE (ZS)	24																			
GLASS SPACER (RW)	16																			
INTERIOR GLASS PLATE (SW)	6 (*)	8 (*)	9 (44.2)	10 (*)	11 (55.2)	12 (*)	13 (66.2)													
SILICON (mm <sup>2</sup> )	187.5																			
ACMC0525S 5mm	-																			
ACMC0725S 7mm	M/T																			
ACMC1025S 10mm	M/T x2																			
ACMC2525S 25mm	-																			
DETAIL	A	B	C	D	A	B	C	D	A	B	C	D	A	B	C	D	A	B	C	D
ACMC702 2mm																				
ACMC712 12mm			M/T	M/T			M/T	M/T			M/T	M/T			M/T	M/T			M/T	M/T
ACMC703 3mm																				
ACMC713 13mm																				
ACMC704 4mm																				
ACMC714 14mm																				
ACMC705 5mm																				
ACMC715 15mm																				
ACMC706 6mm																				
ACMC716 16mm																				
MC006 10mm																				
MC009 5mm																				
MC008 5mm																				
MC005 21mm																				
MC007 20X22mm																				
MC165 20X26mm																				
MC116 10mm																				
MC118 20mm																				
MC096																				
ACMC1564 6.4x8mm																				
ACMC6345S																				
M6.3x... DIN7982	ACMC6325S																			
ACMC2...	ACMC238																			
	ACMC6332S																			
	ACMC238																			

(\*) (Gehard glas - Verre trempé - Sicherheitsglas - Tempered glass)

BEGLAZINGSTABELLEN - TABLEAUX DE VITRAGES - VERGLASUNGSTABELLE - GLAZING TABLES

# MC-WALL

## 10.4

M STÜLEN MONTANTS PFOSTEN MULLIONS																								
T REGELS TRAVERSES RIEGEL TRANSOMS																								
EXTERIOR GLASS PLATE + GLASS SPACER + INTERIOR GLASS PLATE (ZS)	26																							
GLASS SPACER (RW)	16																							
INTERIOR GLASS PLATE (SW)	6 (*)	8 (*)	9 (44.2)	10 (*)	11 (55.2)	12 (*)	13 (66.2)																	
SILICON (mm <sup>2</sup> )	162.5																							
ACMC0525S 5mm	M/T																							
ACMC0725S 7mm	-																							
ACMC1025S 10mm	-																							
ACMC2525S 25mm	M/T																							
DETAIL	A	B	C	D	A	B	C	D	A	B	C	D	A	B	C	D	A	B	C	D	A	B	C	D
ACMC702 2mm																								
ACMC712 12mm																								
ACMC703 3mm																								
ACMC713 13mm		M/T				M/T				M	M/T			M/T				M/T				M/T		
ACMC704 4mm						T																T		
ACMC714 14mm			M/T			M		M/T			M/T				M/T				M/T			M/T	M	M/T
ACMC705 5mm																						T		
ACMC715 15mm																						M		
ACMC706 6mm		T													T									
ACMC716 16mm		M	M/T			M/T				M/T				M	M/T			M/T				M/T		
MC006 10mm		3xM 2xT	2xM T			3xM 2xT	2xM T			3xM 2xT	2xM T			3xM 2xT	2xM T			3xM 2xT	2xM T			3xM 2xT	2xM T	
MC009 5mm														M/T	M/T	M/T		M/T	M/T	M/T		M/T	M/T	M/T
MC008 5mm		M/T				M/T				M/T				M/T				M/T				M/T		
MC005 21mm			M/T			M/T				M/T					M/T				M/T				M/T	
MC007 20X22mm		M/T				M/T				M/T				M/T				M/T				M/T		
PVC20 x 26 20X26mm			M/T			M/T				M/T					M/T				M/T				M/T	
MC116 10mm			T			T				T					T				T				T	
MC118 20mm			M			M				M					M				M				M	
MC086			M/T			M/T				M/T					M/T				M/T				M/T	
ACMC1564 6.4x8mm			M/T			M/T				M/T					M/T				M/T				M/T	
ACMC6350S			M/T			M/T				M/T					M/T				M/T				M/T	
M6.3x... DIN7982	ACMC6325S												ACMC6332S											
ACMC2..	ACMC238												ACMC238											

(\*) (Gehard glas - Verre trempé - Sicherheitsglas - Tempered glass)

## 10.5

M STÜLEN MONTANTS PFOSTEN MULLIONS	A				B				C				D							
	A				B				C				D							
T REGELS TRAVERSES RIEGEL TRANSOMS	A				B				C				D							
	A				B				C				D							
EXTERIOR GLASS PLATE + GLASS SPACER + INTERIOR GLASS PLATE (ZS)	28																			
GLASS SPACER (RW)	16																			
INTERIOR GLASS PLATE (SW)	6 (*)	8 (*)	9 (44.2)	10 (*)	11 (55.2)	12 (*)	13 (66.2)													
SILICON (mm <sup>2</sup> )	162.5																			
ACMC0525S 5mm	-																			
ACMC0725S 7mm	M/T																			
ACMC1025S 10mm	-																			
ACMC2525S 25mm	M/T																			
DETAIL	A	B	C	D	A	B	C	D	A	B	C	D	A	B	C	D	A	B	C	D
ACMC702 2mm									T											
ACMC712 12mm									M											
ACMC703 3mm									T											
ACMC713 13mm									M											
ACMC704 4mm																				T
ACMC714 14mm																				M
ACMC705 5mm																				T
ACMC715 15mm																				M/T
ACMC706 6mm																				T
ACMC716 16mm																				M/T
MC006 10mm																				3xM 2xM 2xT
MC009 5mm																				M/T
MC008 5mm																				M/T
MC005 21mm																				M/T
MC007 20X22mm																				M/T
MC165 20X26mm																				M/T
MC116 10mm																				T
MC118 20mm																				M
MC066																				M/T
ACMC1564 6.4x8mm																				M/T
ACMC6350S																				M/T
M6.3x... DIN7982	ACMC6325S												ACMC6325S							
ACMC2..	ACMC238												ACMC238							

(\*) (Gehard glas - Verre trempé - Sicherheitsglas - Tempered glass)

BEGLAZINGSTABELLEN - TABLEAUX DE VITRAGES - VERGLASUNGSTABELLE - GLAZING TABLES

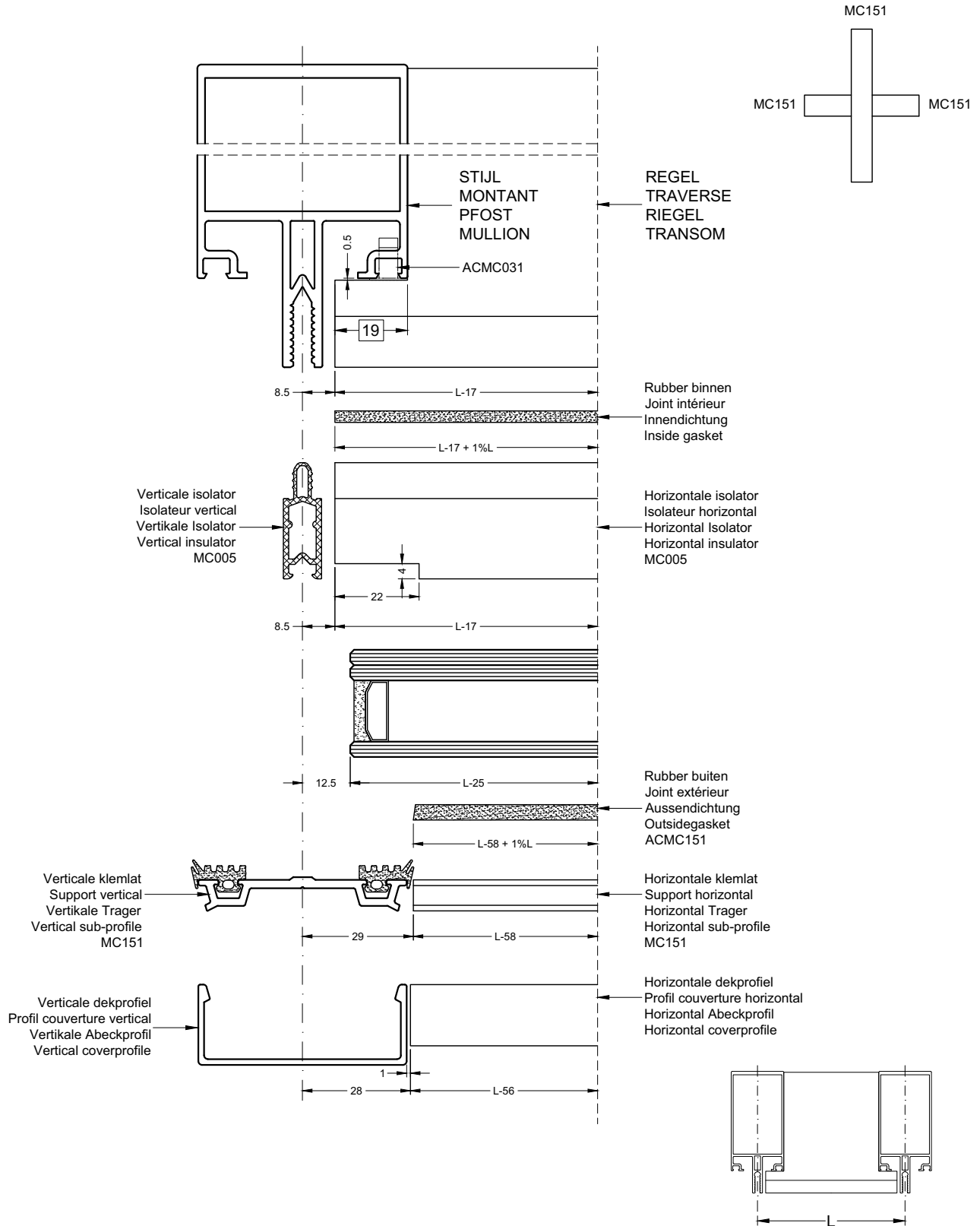
# MC-WALL

## 10.6

M STÜLEN MONTANTS PFOSTEN MULLIONS																												
T REGELS TRAVERSES RIEGEL TRANSOMS																												
EXTERIOR GLASS PLATE + GLASS SPACER + INTERIOR GLASS PLATE (ZS)	30																											
GLASS SPACER (RW)	16																											
INTERIOR GLASS PLATE (SW)	6 (*)	8 (*)	9 (44.2)	10 (*)	11 (55.2)	12 (*)	13 (66.2)																					
SILICON (mm <sup>2</sup> )	212.5																											
ACMC0525S 5mm	-																											
ACMC0725S 7mm	M/T																											
ACMC1025S 10mm	-																											
ACMC2525S 25mm	M/T																											
DETAIL	A	B	C	D	A	B	C	D	A	B	C	D	A	B	C	D	A	B	C	D	A	B	C	D				
ACMC702 2mm									T																			
ACMC712 12mm		M/T				M/T				M	M/T				M/T				M/T				M/T					
ACMC703 3mm									T																			
ACMC713 13mm			M/T	M/T			M/T	M/T	M		M/T	M/T			M/T	M/T			M/T	M/T			M/T	M/T				
ACMC704 4mm						T																	T					
ACMC714 14mm						M																	M					
ACMC705 5mm																			T									
ACMC715 15mm																			M									
ACMC706 6mm		T													T													
ACMC716 16mm		M													M													
MC006 10mm		3xM 2xT	2xM T			3xM 2xT	2xM T			3xM 2xT	2xM T			3xM 2xT	2xM T			4xM 3xT	3xM 2xT	M/T		4xM 3xT	3xM 2xT	M/T		4xM 3xT	3xM 2xT	M/T
MC009 5mm		M/T	M/T	M/T		M/T	M/T	M/T		M/T	M/T	M/T		M/T	M/T	M/T		M/T	M/T	M/T		M/T	M/T	M/T				
MC008 5mm		M/T				M/T				M/T				M/T				M/T				M/T						
MC005 21mm			M/T				M/T				M/T				M/T				M/T				M/T					
MC007 20X22mm		M/T					M/T				M/T				M/T				M/T				M/T					
MC165 20X26mm				M/T				M/T				M/T				M/T				M/T				M/T				
MC116 10mm				T				T				T				T				T				T				
MC118 20mm				M				M				M				M				M				M				
MC066			M/T				M/T				M/T				M/T				M/T				M/T					
ACMC1564 6.4x8mm			M/T				M/T				M/T				M/T				M/T				M/T					
ACMC6350S			M/T				M/T				M/T				M/T				M/T				M/T					
M6.3x... DIN7982	ACMC6325S												ACMC6332S															
ACMC2..	ACMC238												ACMC238															

(\*) (Gehard glas - Verre trempé - Sicherheitsglas - Tempered glass)

## MC151 - MC151

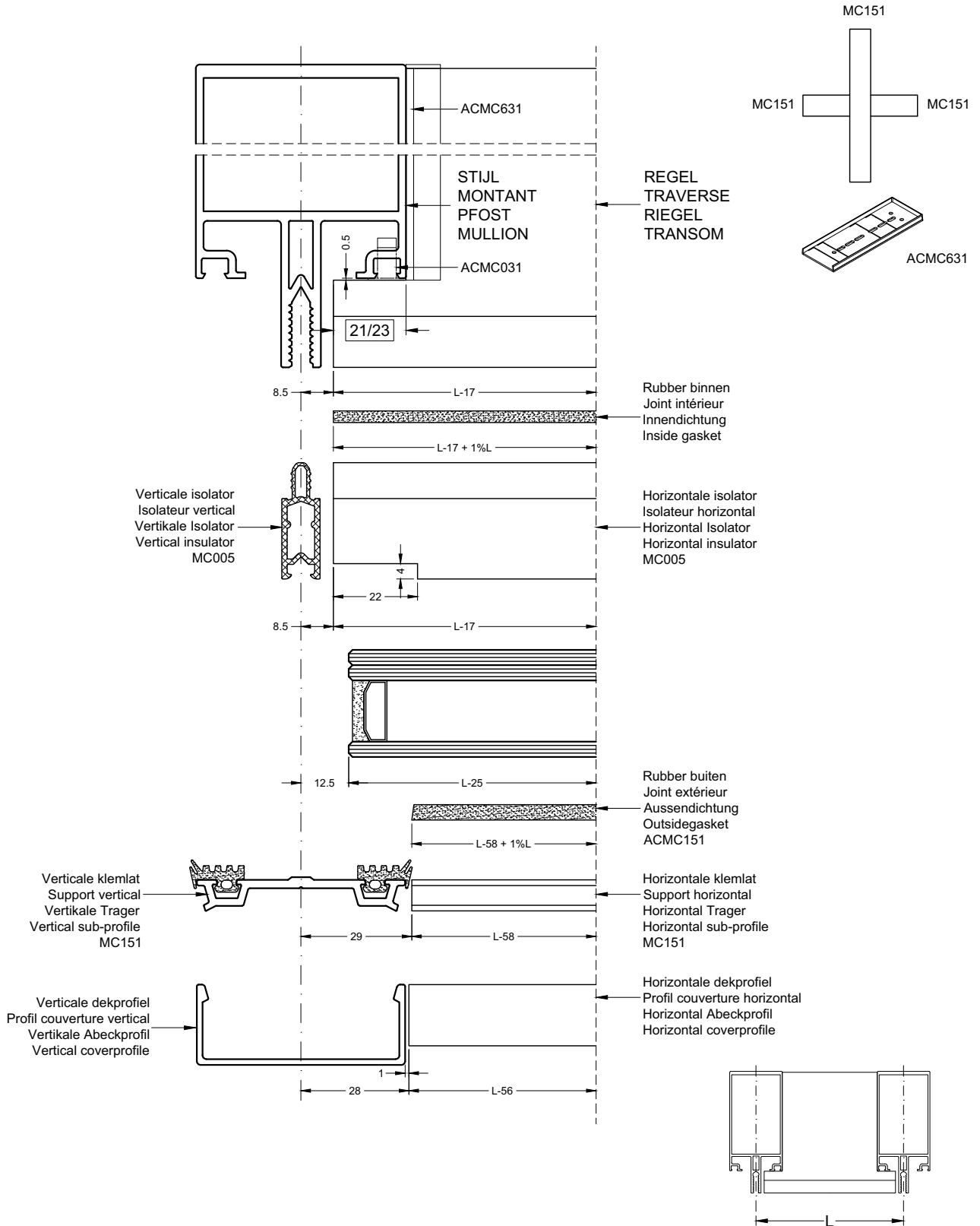


ZAAGTABELLEN - COUPES ET DEBITS - ZUSCHNITTSTABELLEN - FABRICATION CHARTS

MCE\_1

# MC-WALL

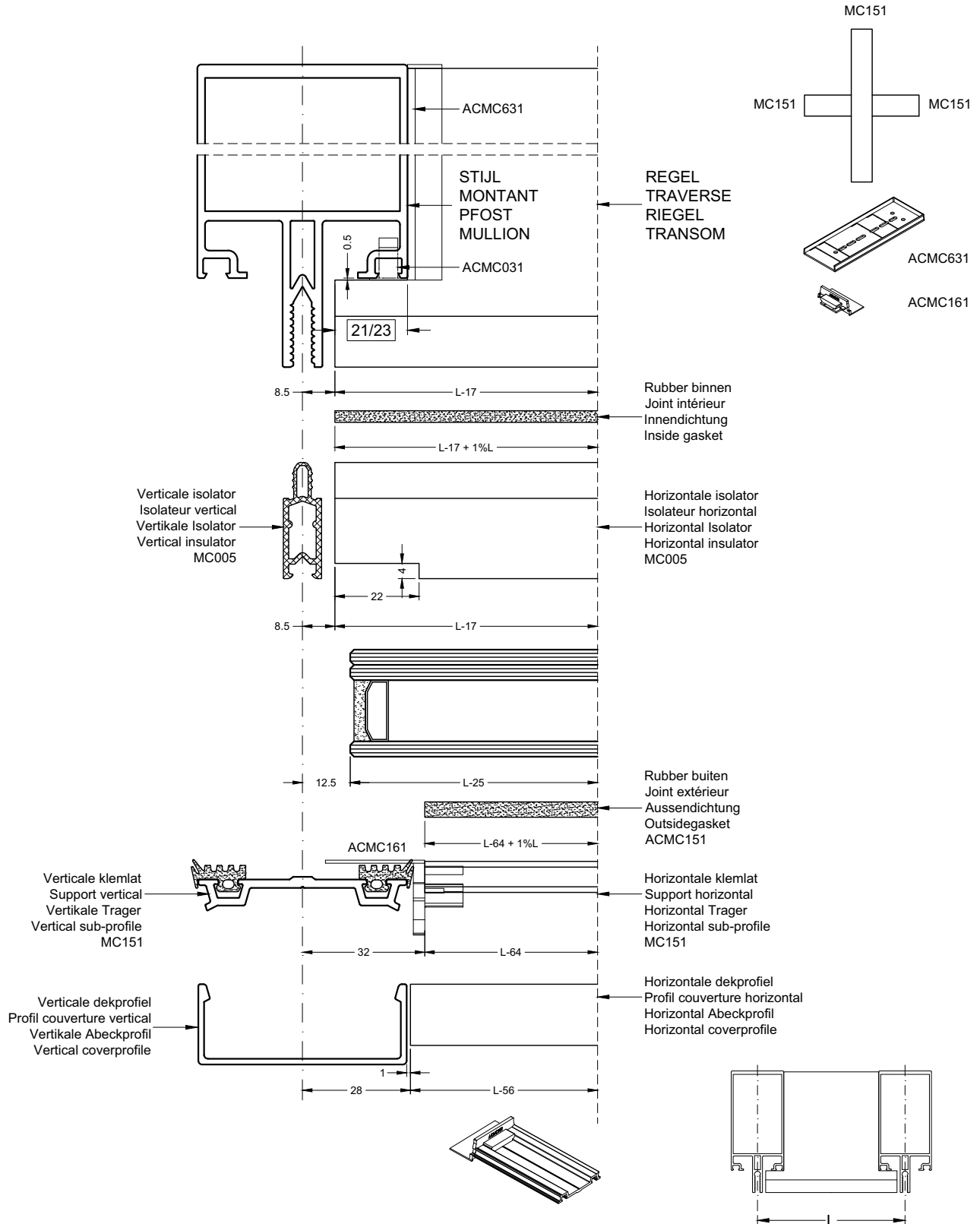
## MC151 - MC151 + ACMC631



MCE\_2



## MC151 - MC151 + ACMC631 + ACMC161

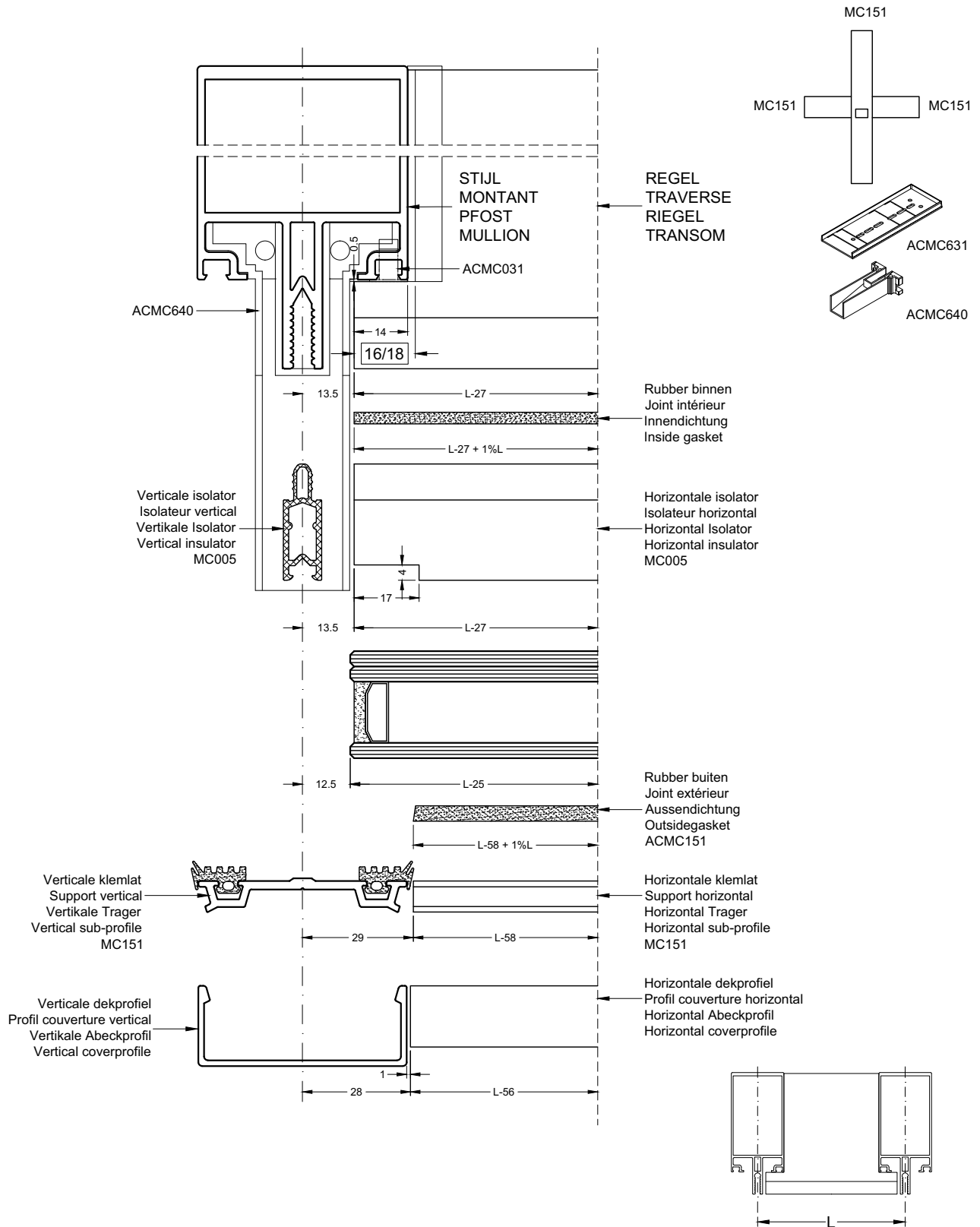


ZAAGTABELLEN - COUPES ET DEBITS - ZUSCHNITTSTABELLEN - FABRICATION CHARTS

MCE\_3

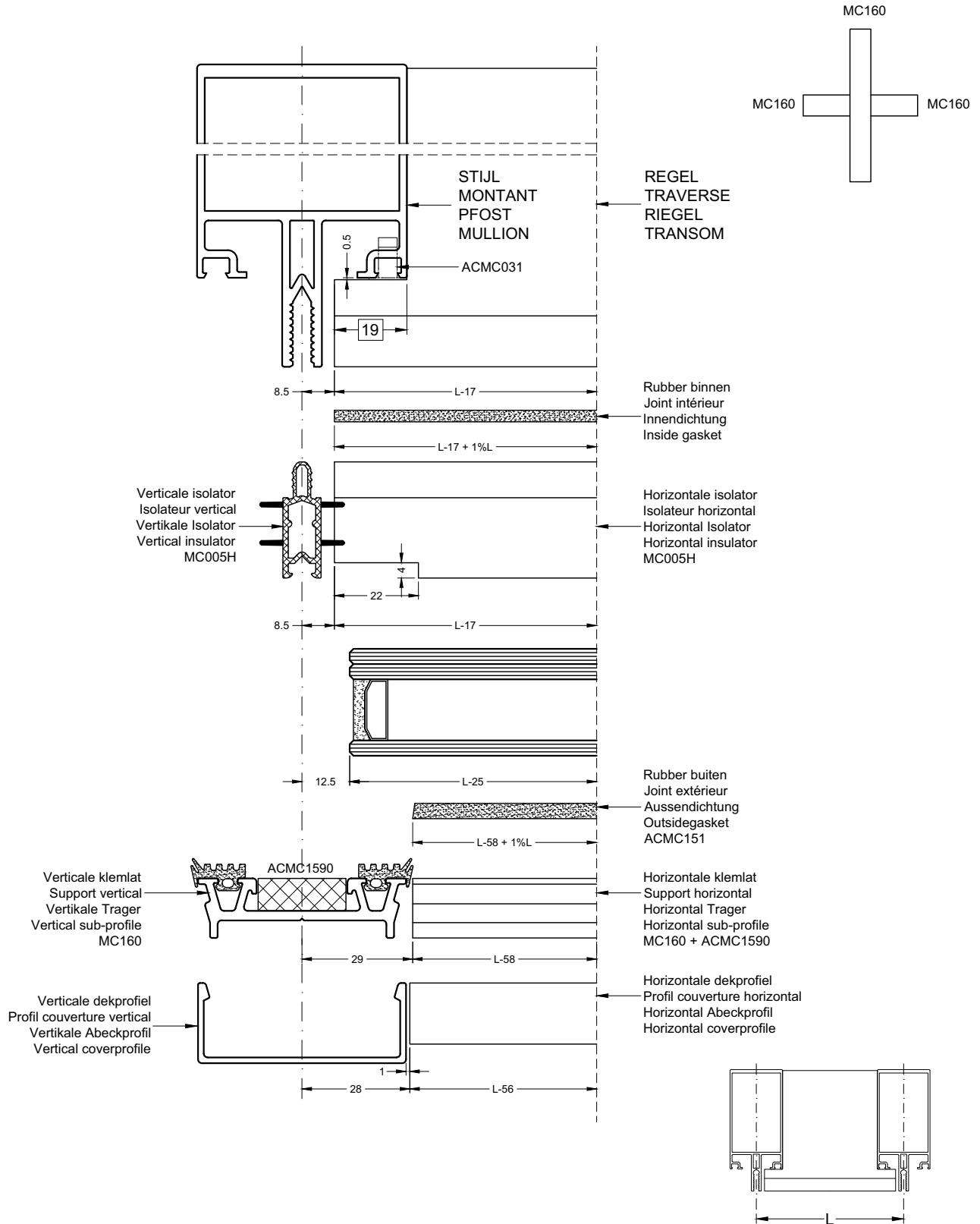
# MC-WALL

## MC151 - MC151 + ACMC631 + ACMC640



MCE\_4

## MC160 + MC160

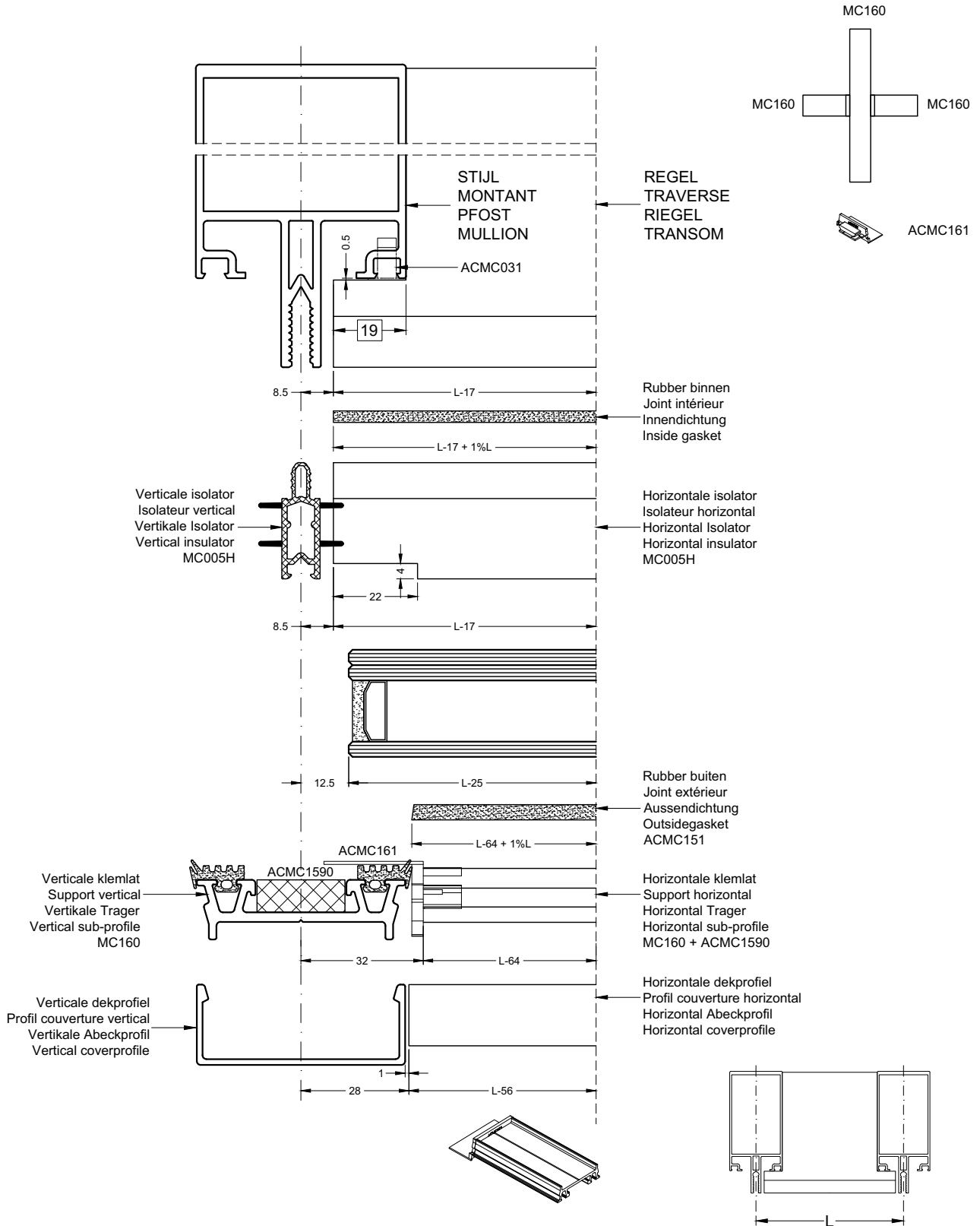


ZAAGTABELLEN - COUPES ET DEBITS - ZUSCHNITTSTABELLEN - FABRICATION CHARTS

MCE\_5

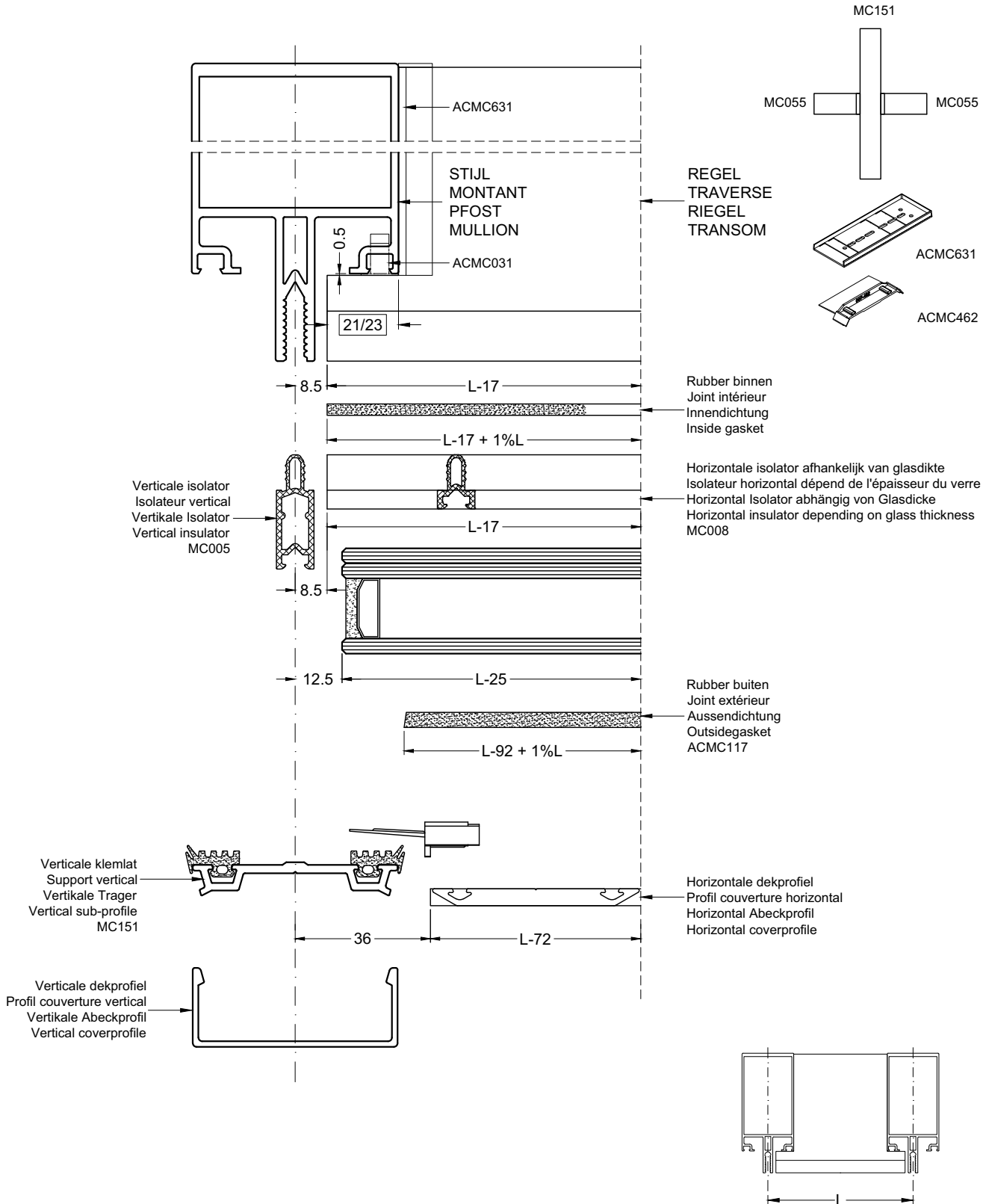
# MC-WALL

## MC160 + MC160 + ACMC161



MCE\_6

## MC151 + MC055 + ACMC631 + ACMC462

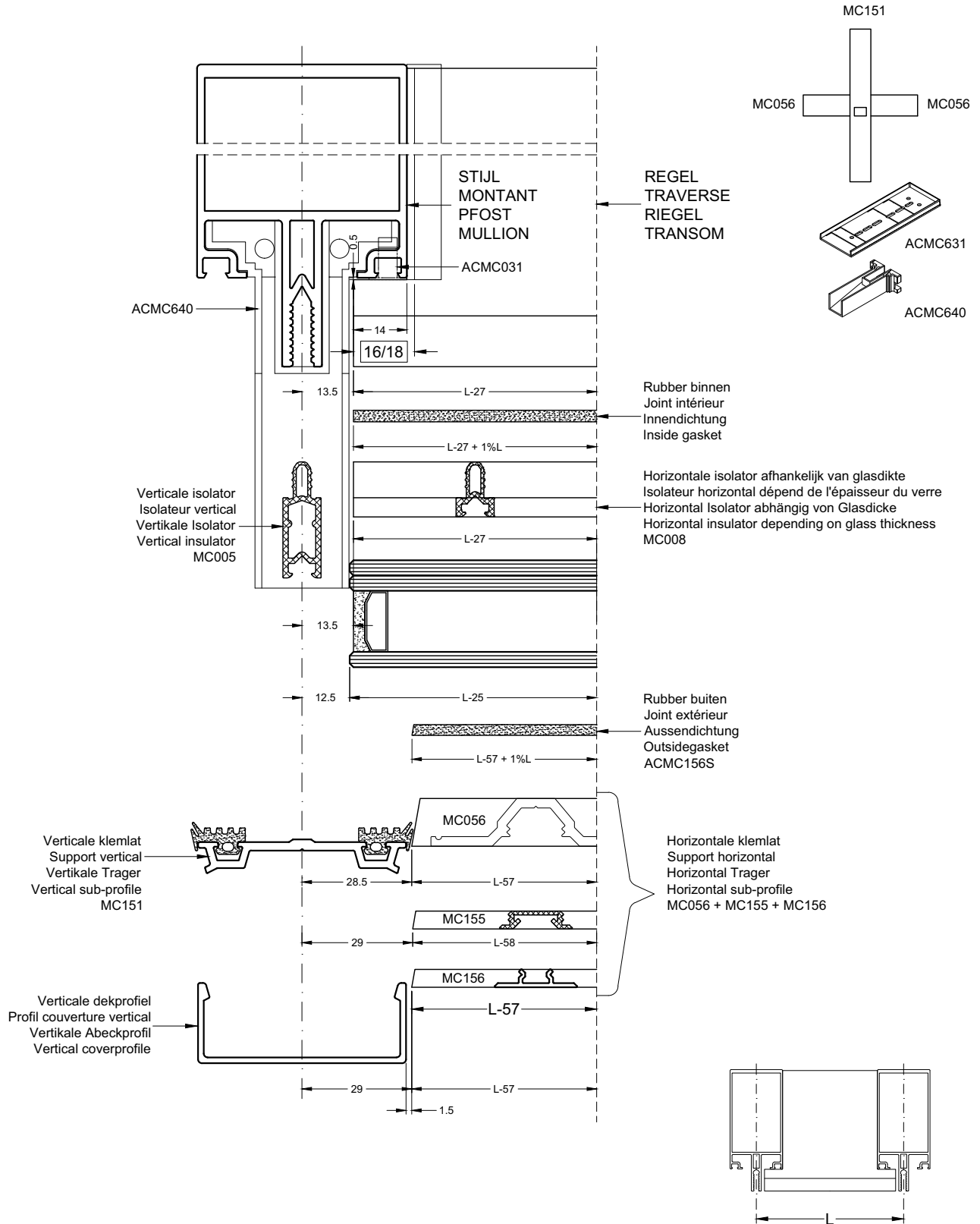


ZAAGTABELLEN - COUPES ET DEBITS - ZUSCHNITTSTABELLEN - FABRICATION CHARTS

MCE\_7

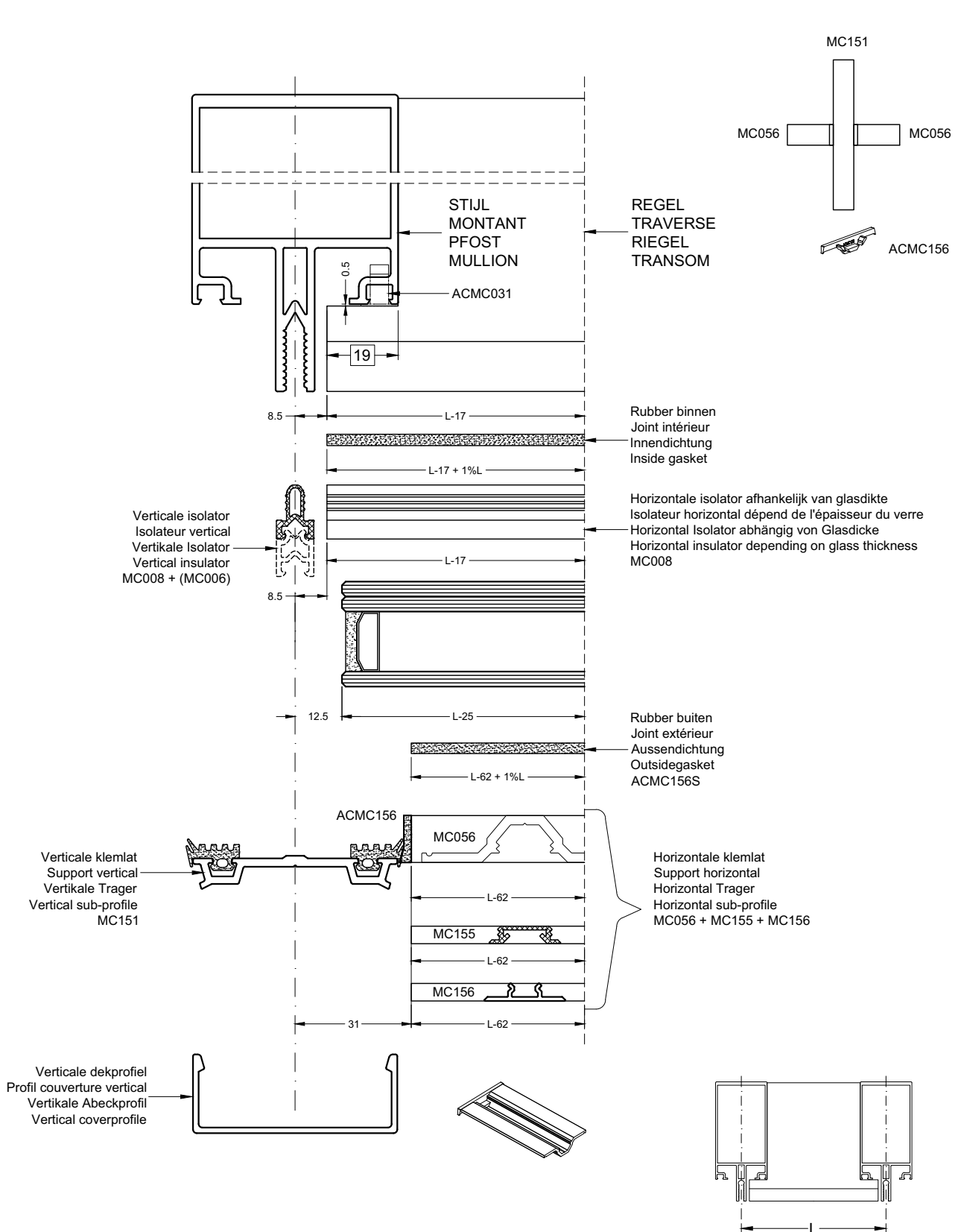
# MC-WALL

## MC151 + MC056 + ACMC631 + ACMC640



MCE\_8

## MC151 + MC056 + ACMC156

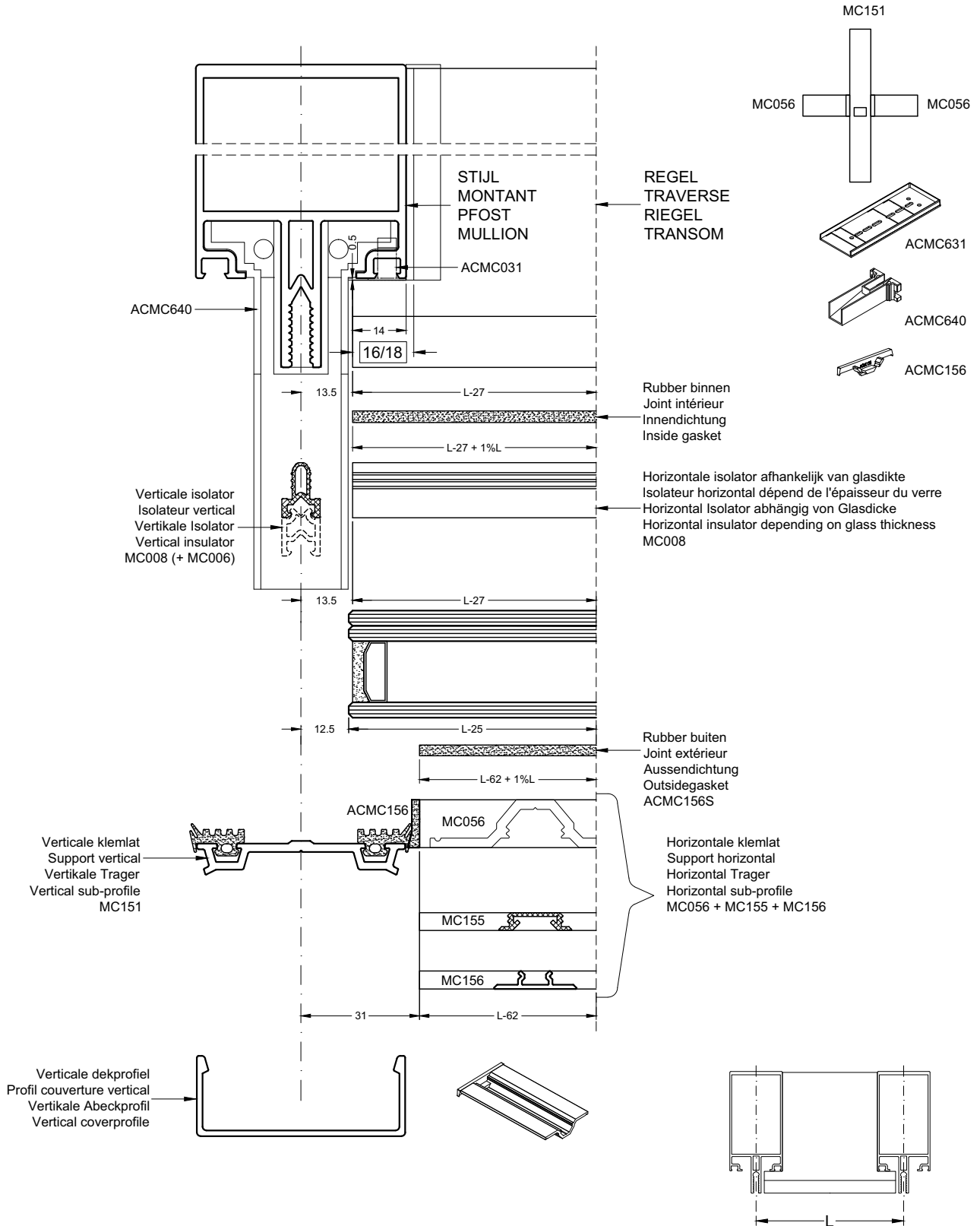


ZAAGTABELLEN - COUPES ET DEBITS - ZUSCHNITTSTABELLEN - FABRICATION CHARTS

MCE\_9

# MC-WALL

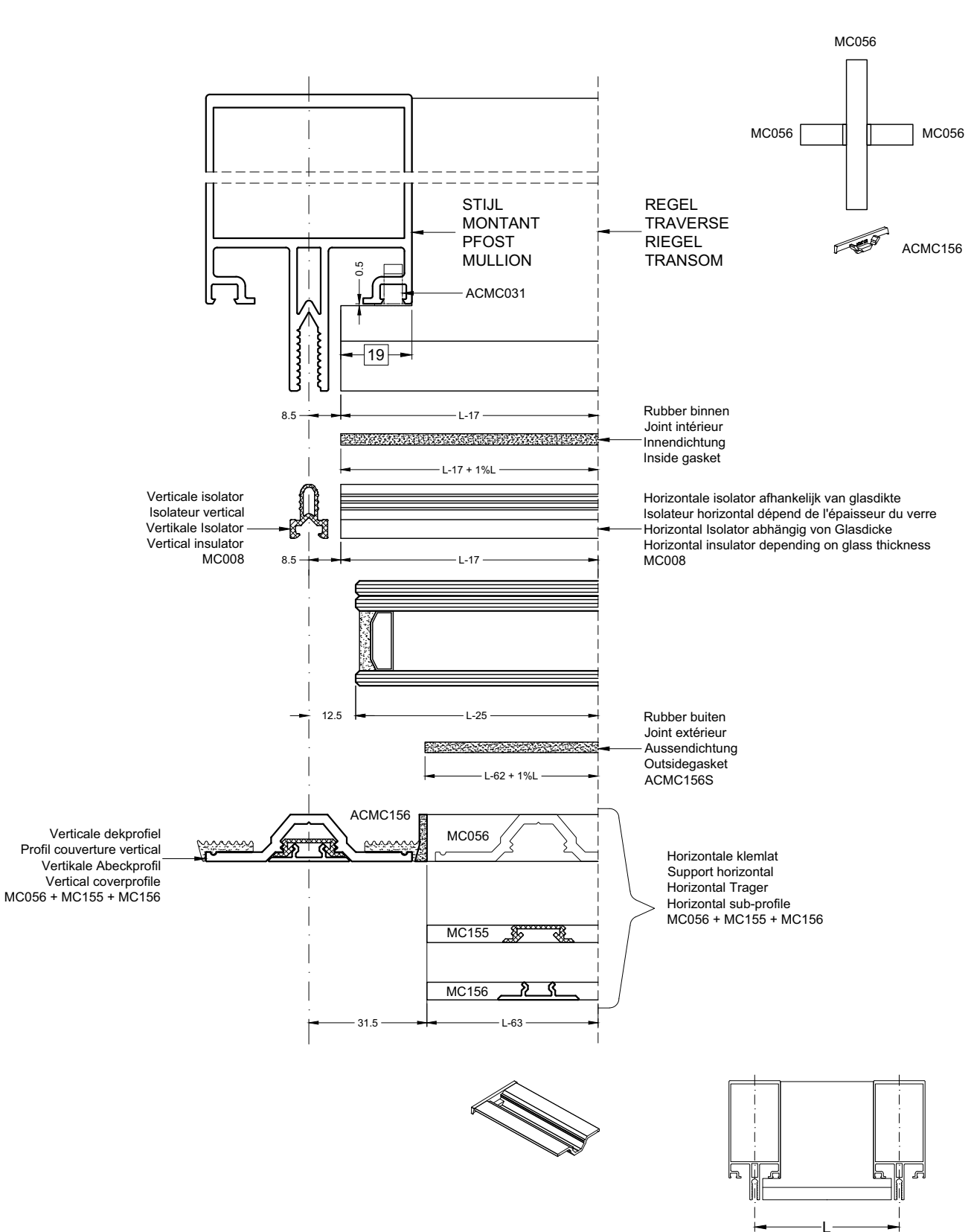
## MC151 + MC056 + ACMC631 + ACMC640 + ACMC156



MCE\_10



## MC056 + MC056 + ACMC156



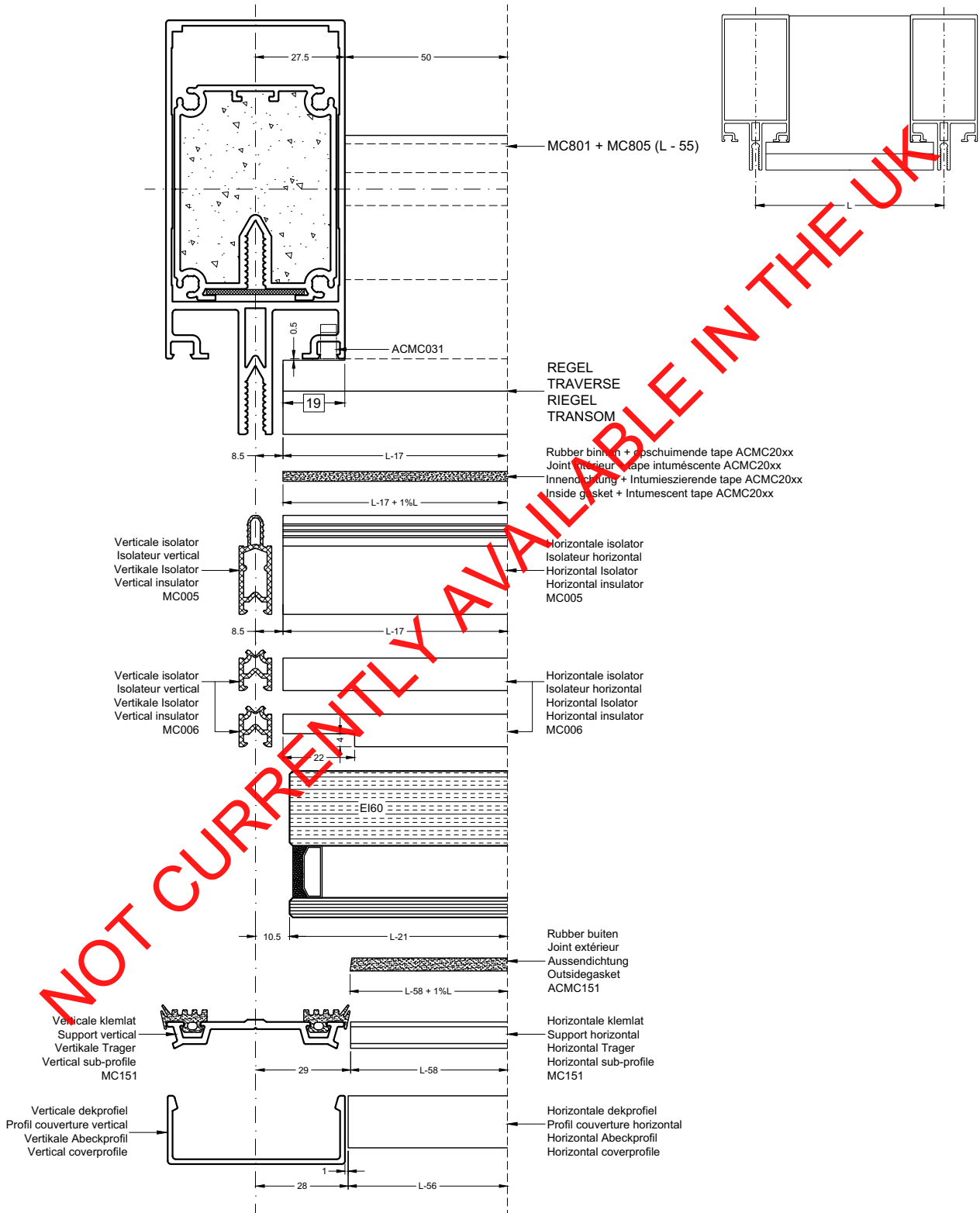
ZAAGTABELLEN - COUPES ET DEBITS - ZUSCHNITTSTABELLEN - FABRICATION CHARTS

MCE\_11



# MC-WALL

## MC FIRE



MCE\_12

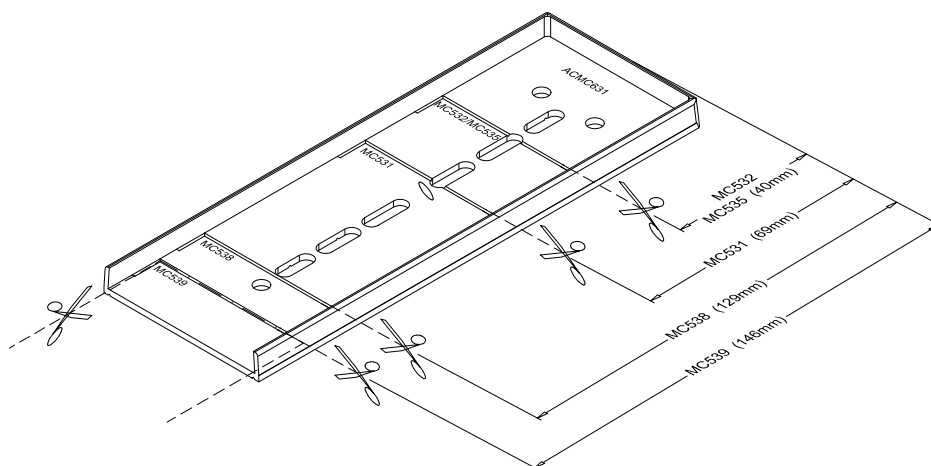
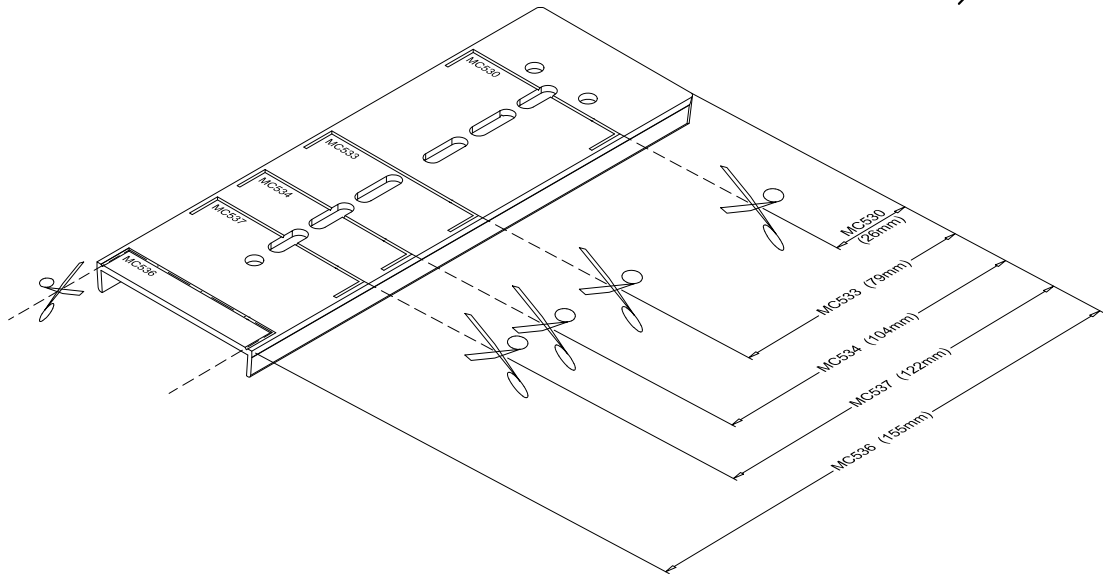
410

18/1/18

AANPASSING ACMC631  
ADAPTATION ACMC631  
BEARBEITUNG ACMC631  
ADAPTATION ACMC631



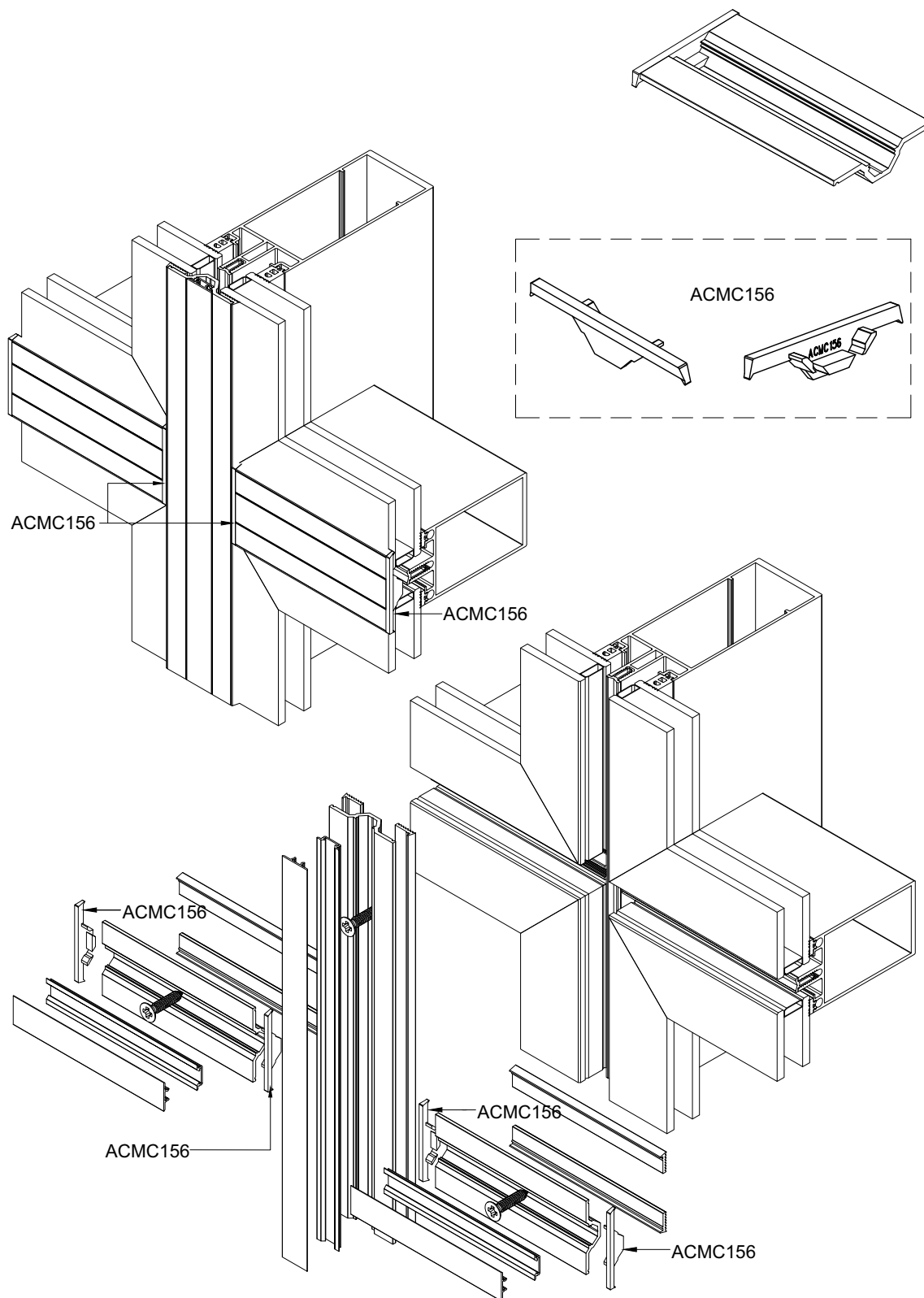
~~MC516  
MC540  
MC541~~



MCF\_1

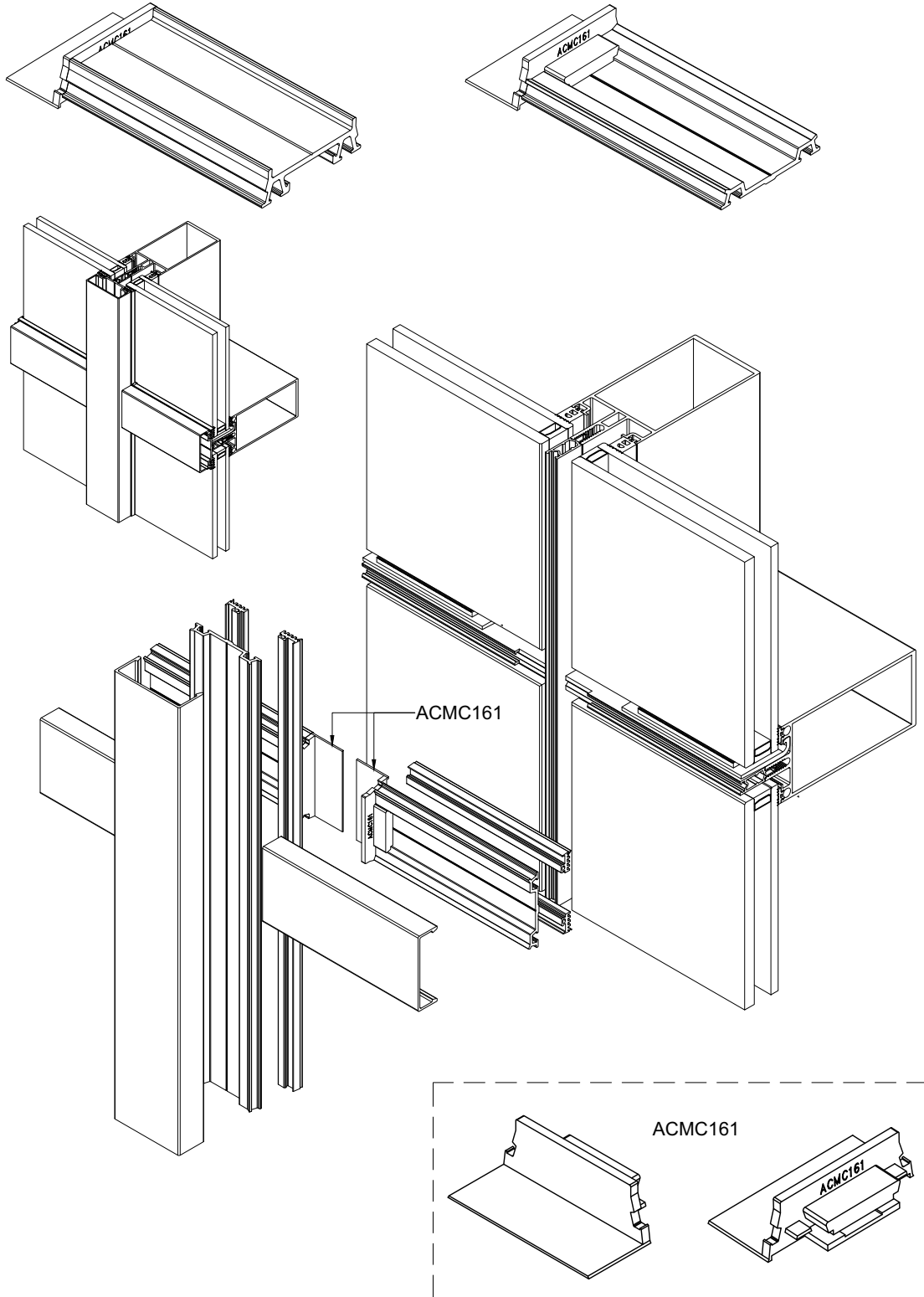
# MC-WALL

TOEPASSING ACMC156  
APPLIQUER ACMC156  
ANWENDUNG ACMC156  
USE ACMC156



MCP.2

TOEPASSING ACMC161  
APPLIQUER ACMC161  
ANWENDUNG ACMC161  
USE ACMC161

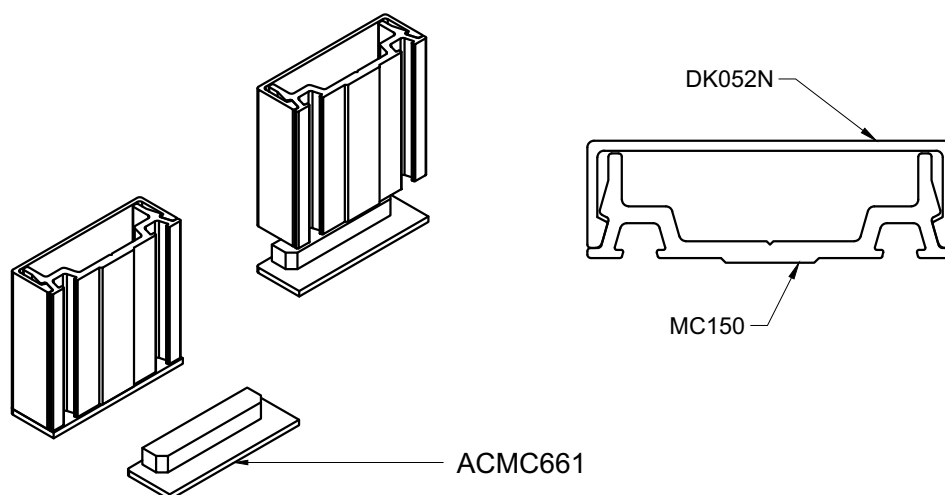
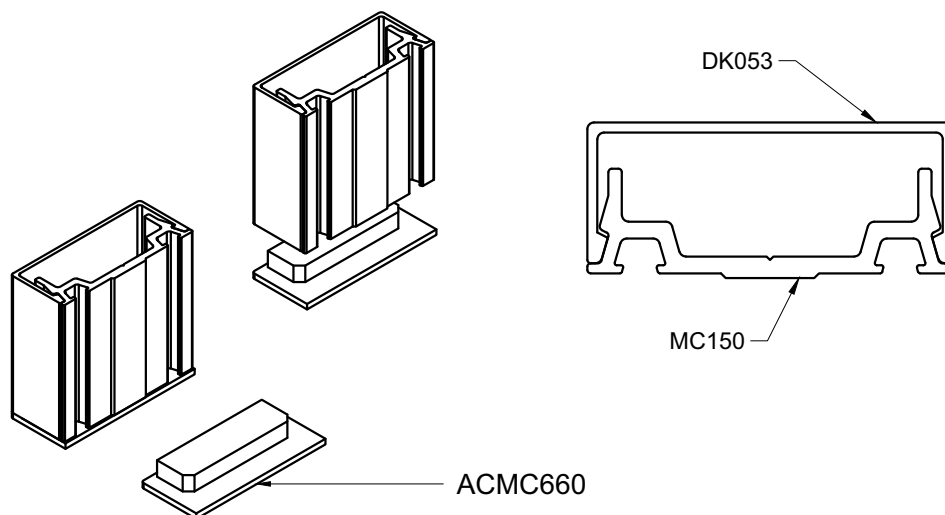


ZAAGTABELLEN - COUPES ET DEBITS - ZUSCHNITTSTABELLEN - FABRICATION CHARTS

MCP.3

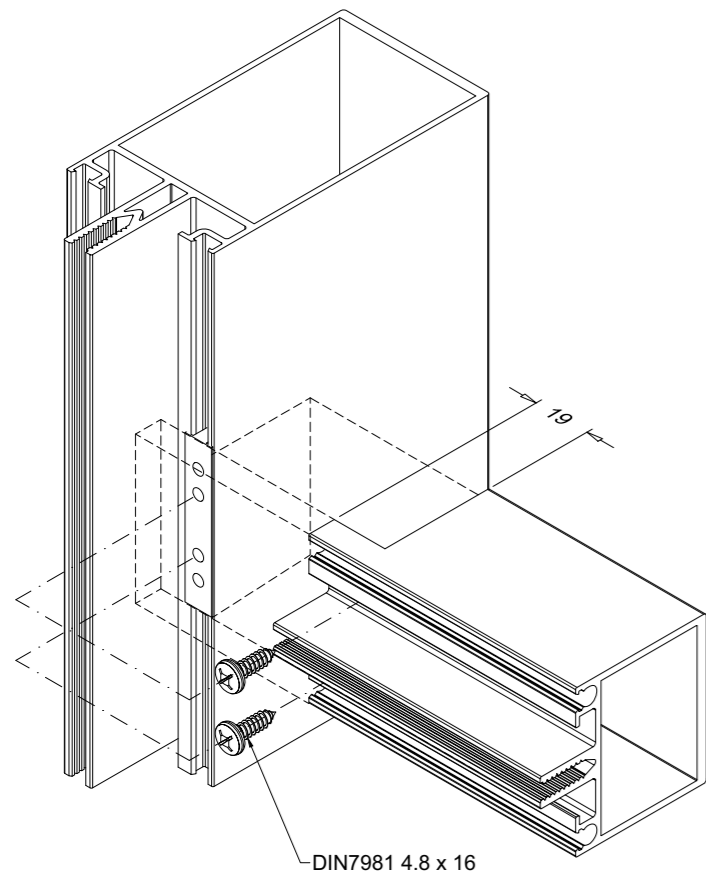
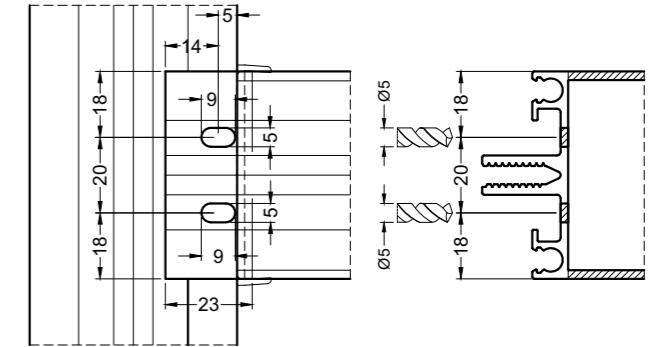
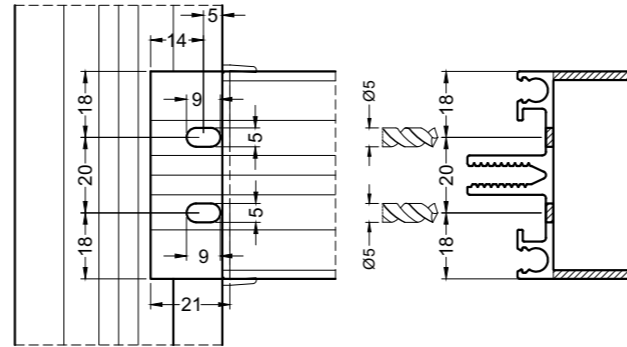
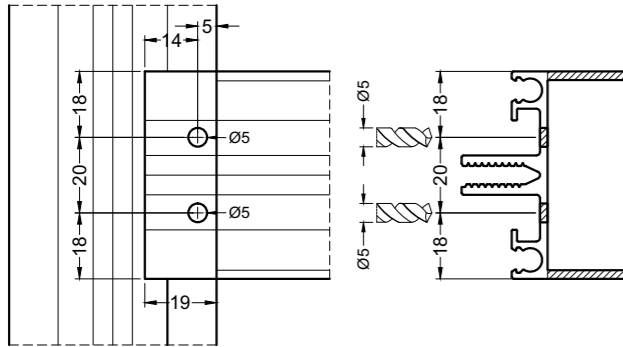
# MC-WALL

TOEPASSING ACMC660 - ACMC661  
APPLIQUER ACMC660 - ACMC661  
ANWENDUNG ACMC660 - ACMC661  
USE ACMC660 - ACMC661

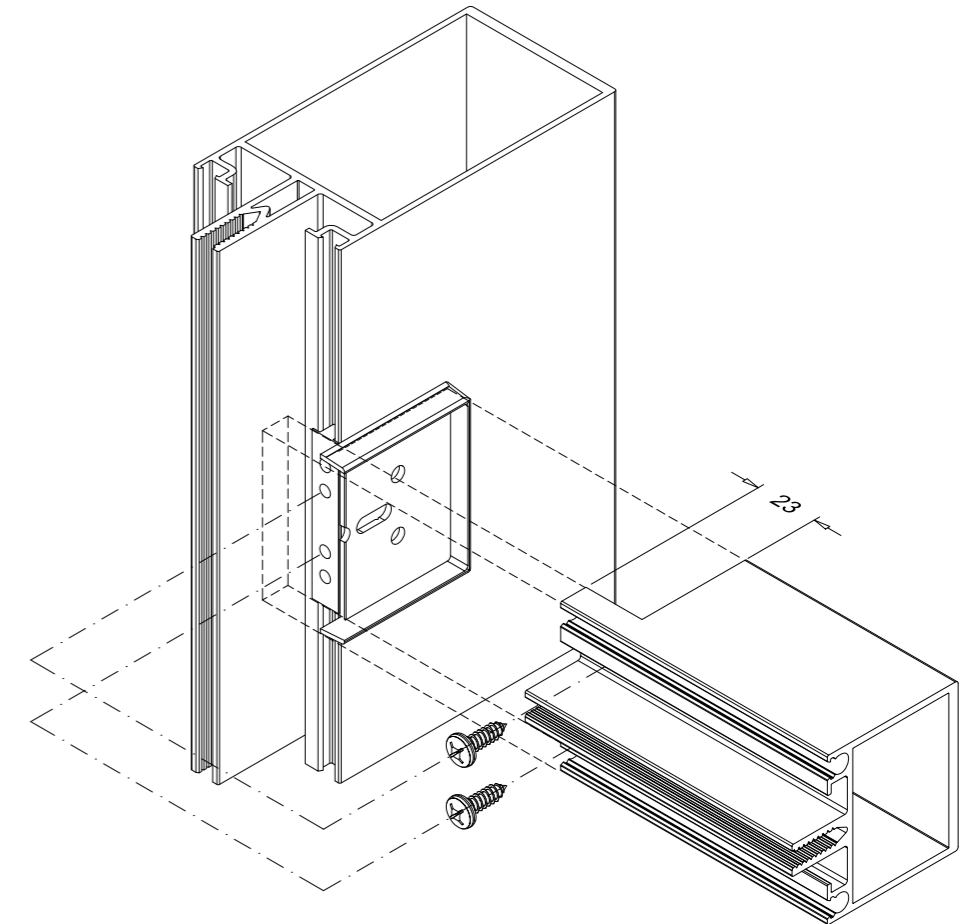
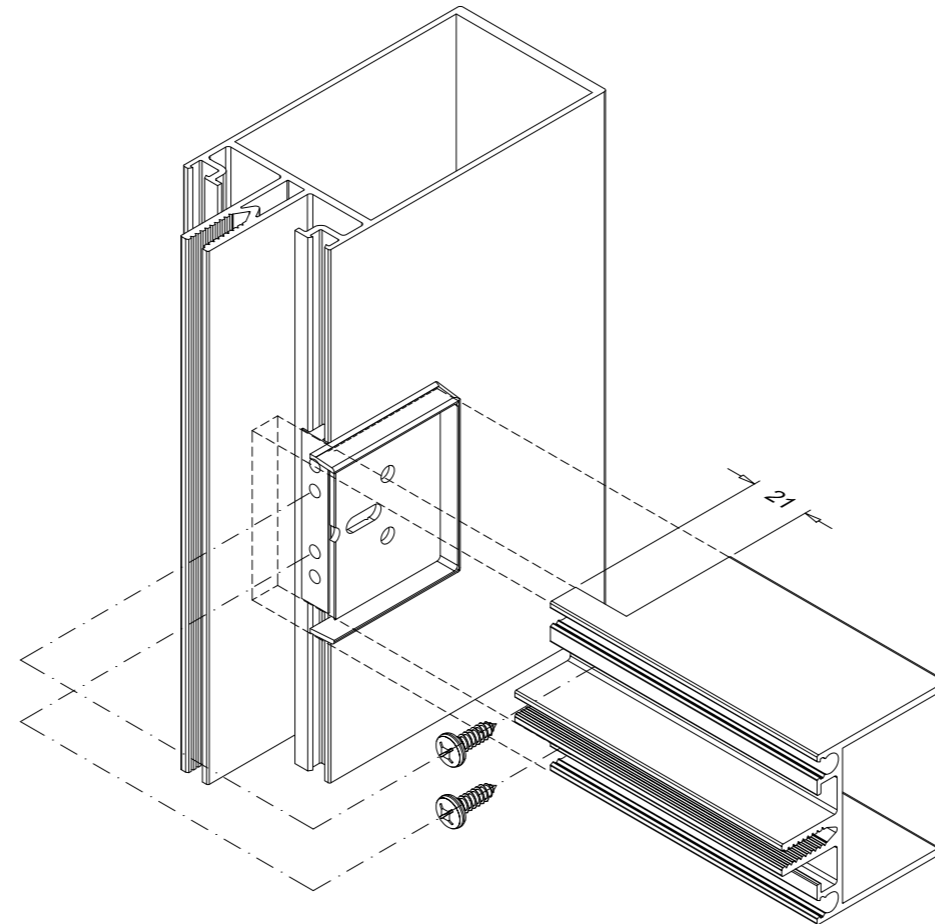


MCF\_4

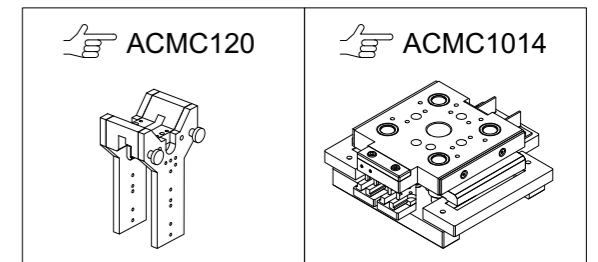
BEVESTIGING MET SCHROEVEN  
 CONNECTION AVEC VIS  
 BEFESTIGUNG MIT SCHRAUBE  
 CONNECTIONS WITH SCREWS



DIN7981 4.8 x 16



19MM: NO DILATATION  
 21MM: NO DILATION, CONNECTION MULLION AND TRANSOM IS COMPRESSED BY ACMC631  
 23MM: DILATION OF 2MM, COVERED BY ACMC631

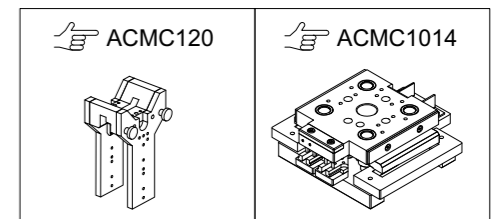
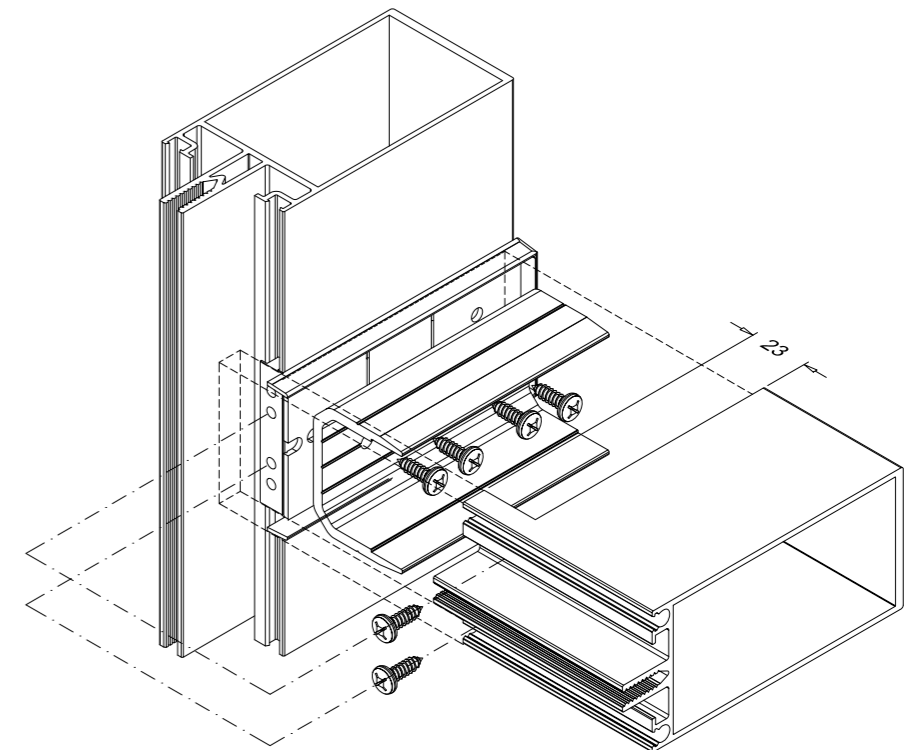
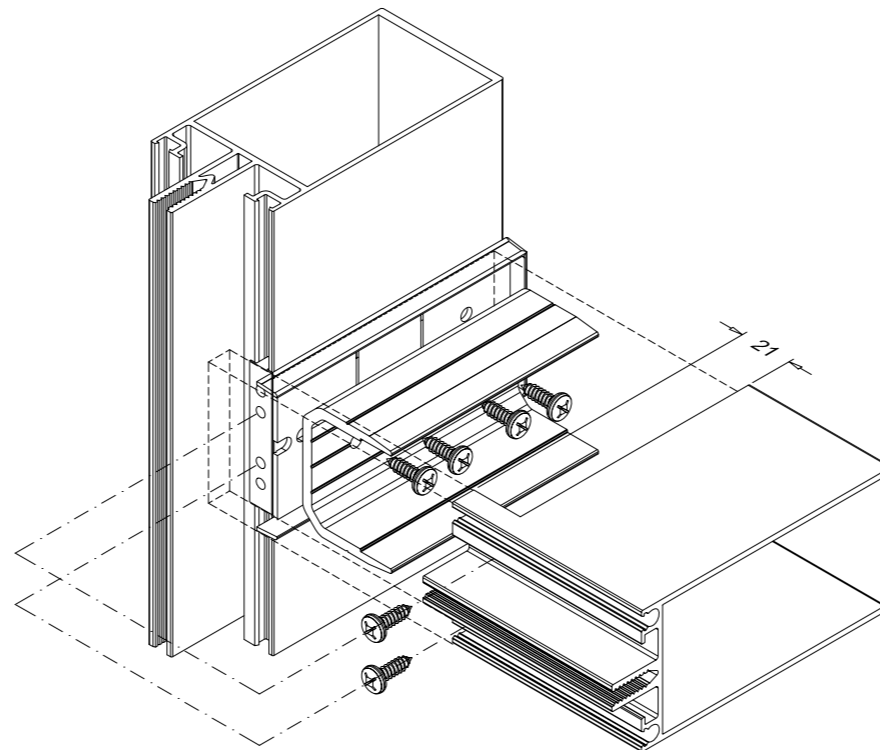
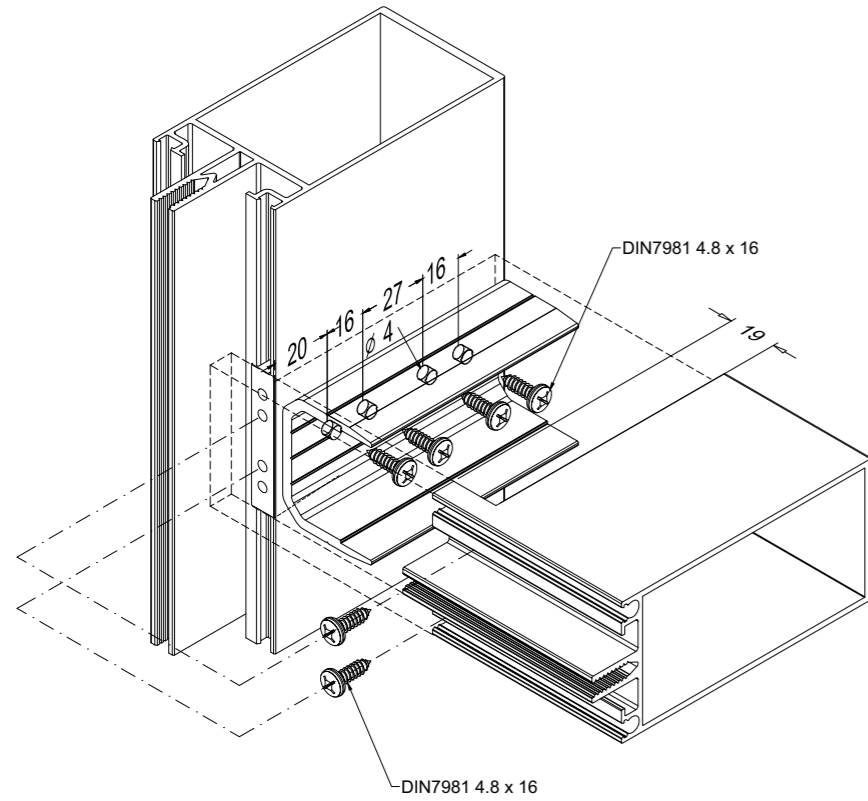
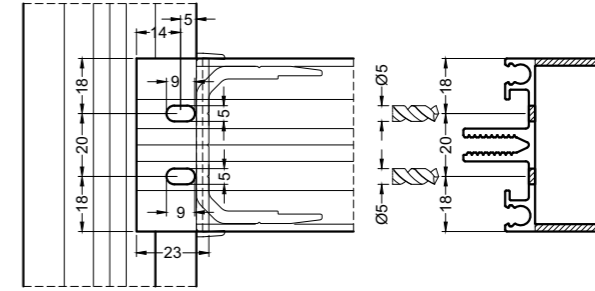
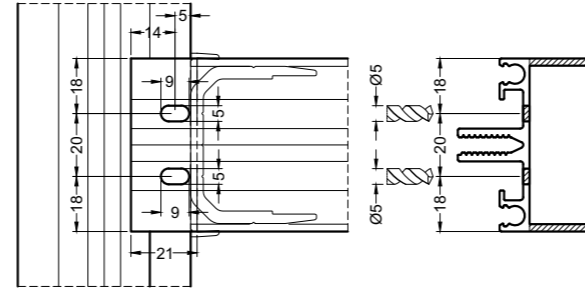
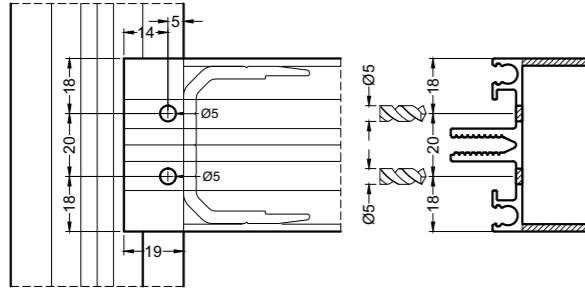


MCF\_5



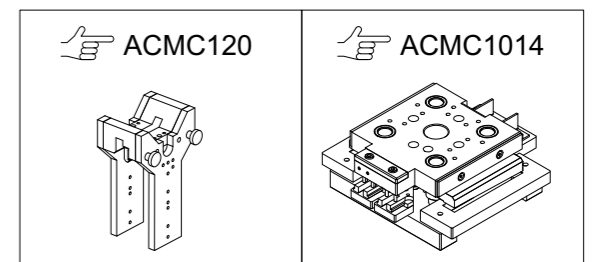
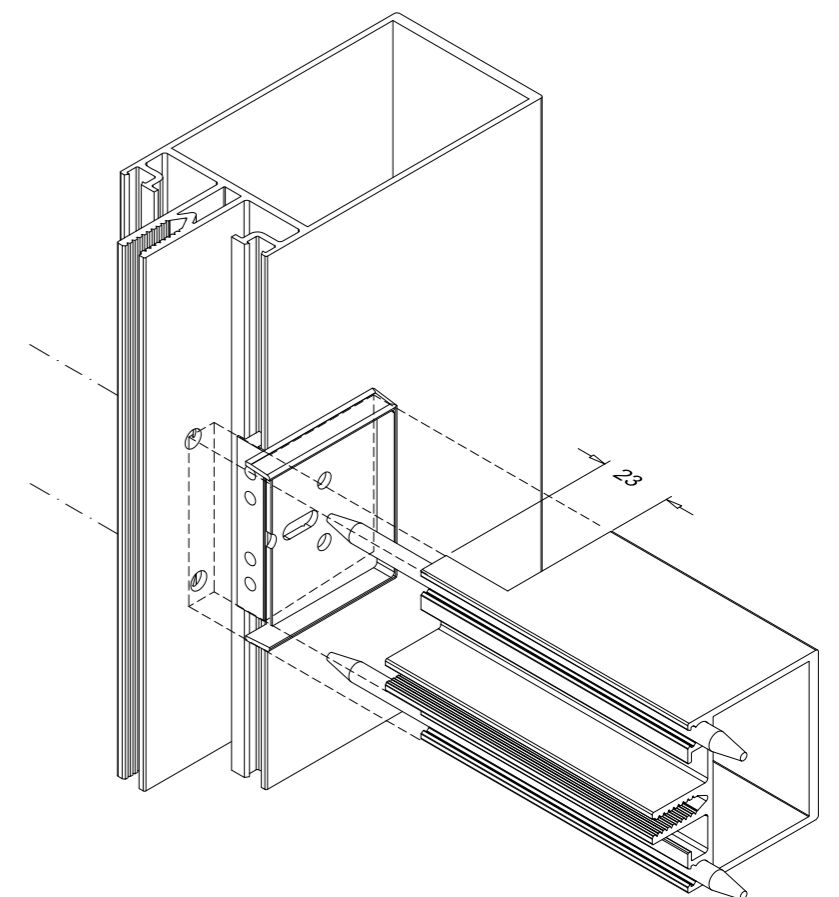
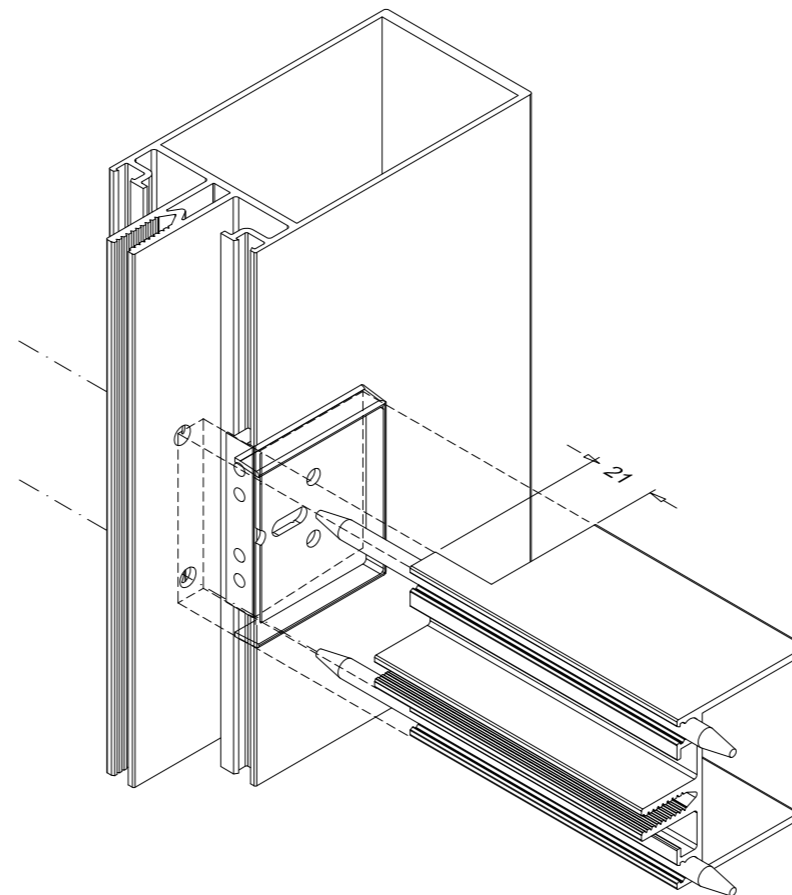
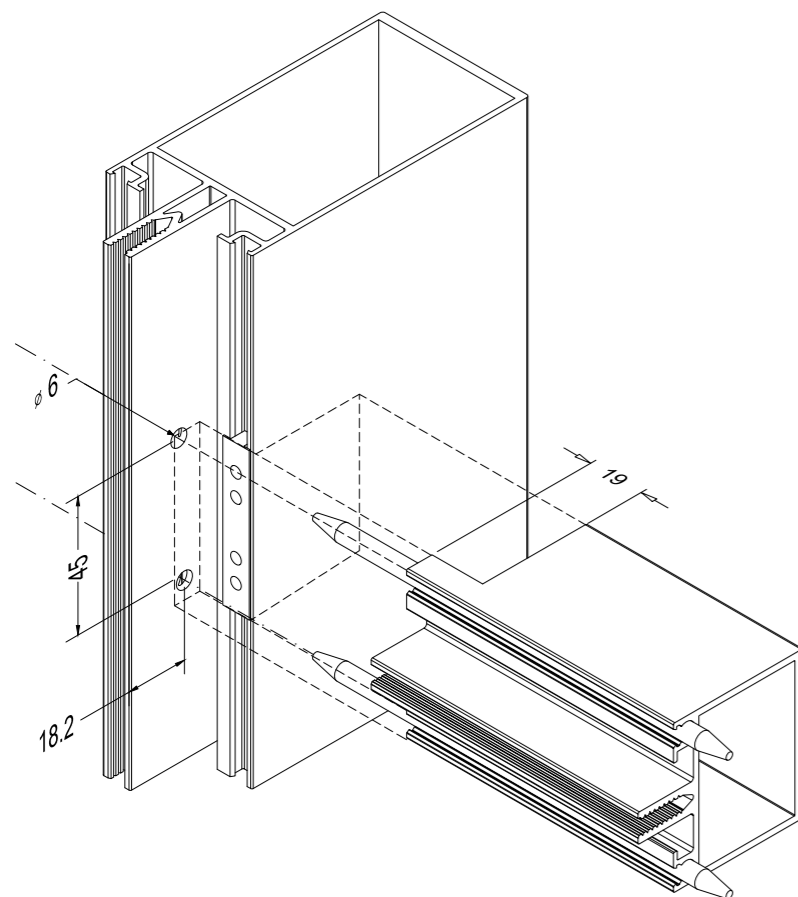
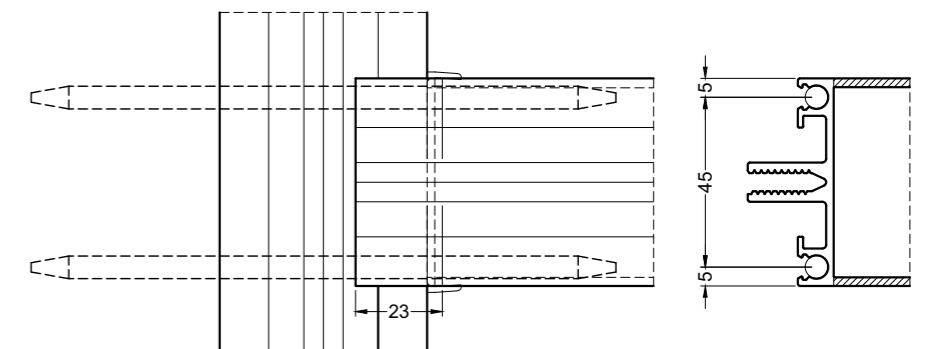
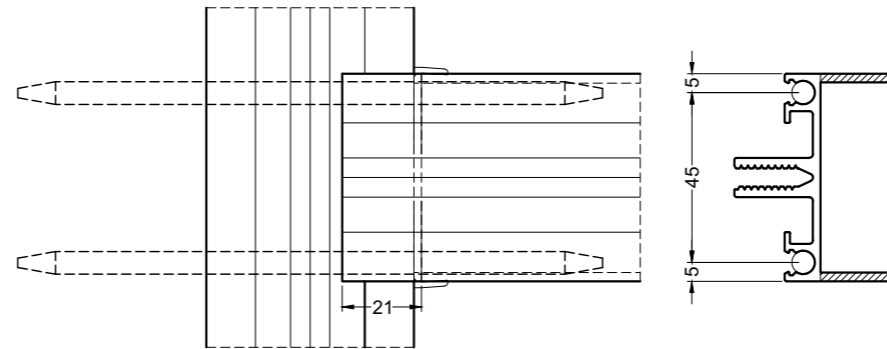
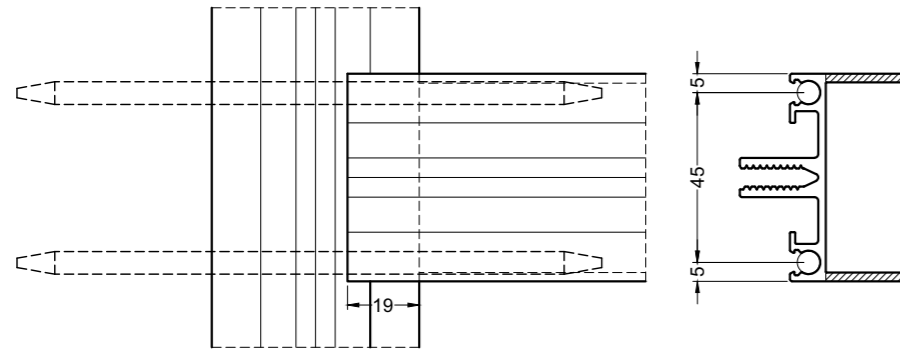
# MC-WALL

BEVESTIGING MET SCHROEVEN EN VERBINDINGSTUK ACMC634C  
 CONNECTION AVEC VIS ET PIECE DE JONCTION ACMC634C  
 BEFESTIGUNG MIT SCHRAUBE UND VERBINDUNG ACMC634C  
 CONNECTIONS WITH SCREWS AND BRACKET ACMC634C



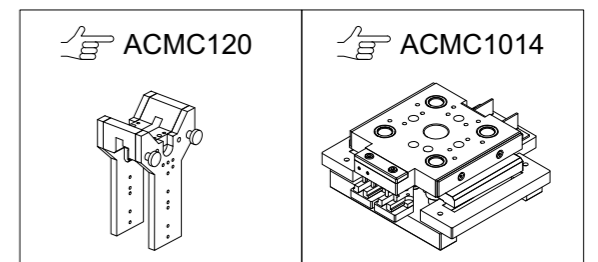
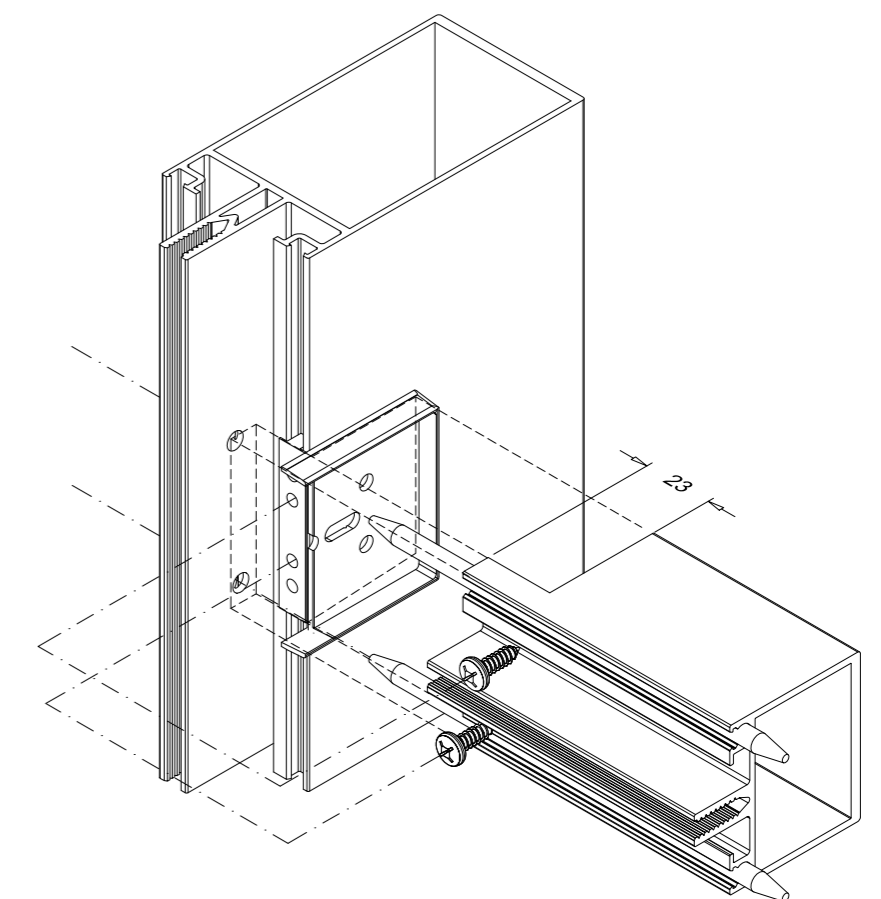
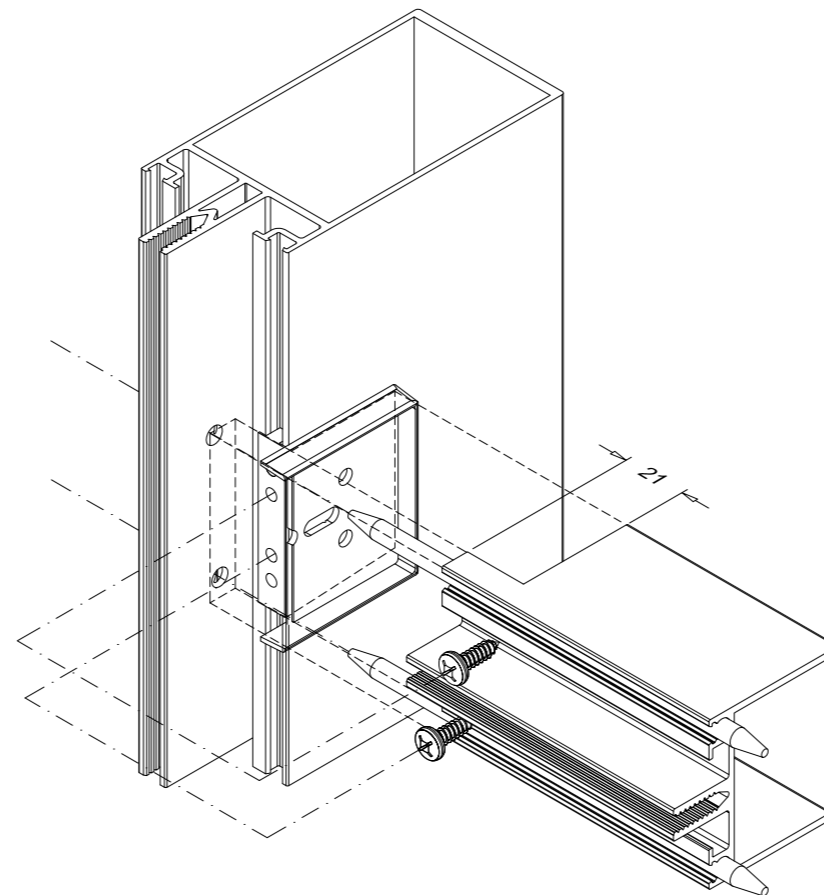
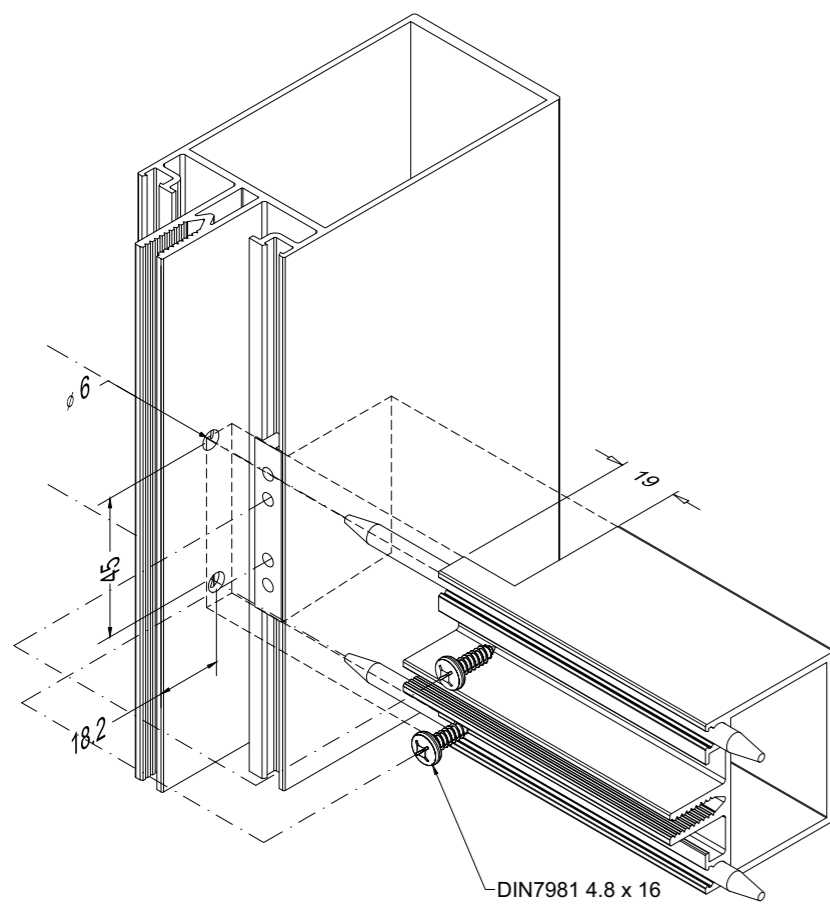
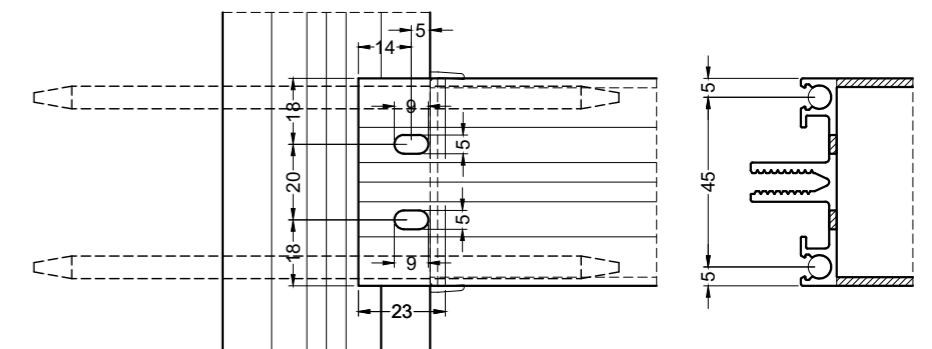
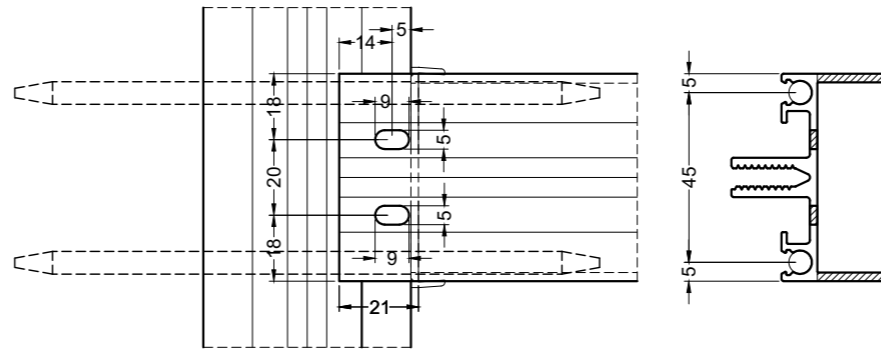
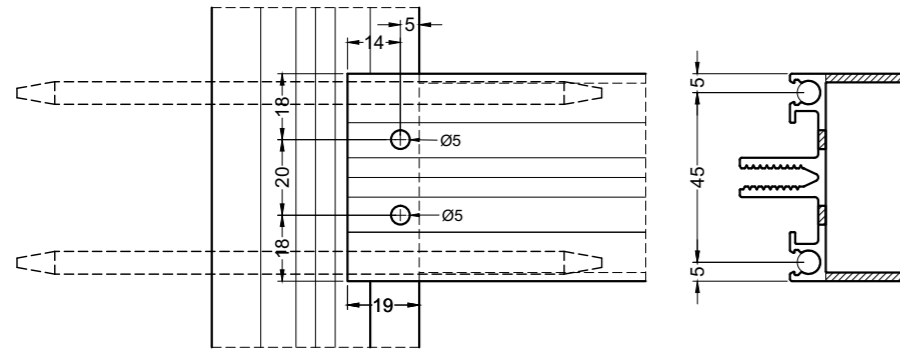


BEVESTIGING MET PENNEN ACMC025 - ACMC026  
 CONNECTION AVEC TIGES ACMC025 - ACMC026  
 BEFESTIGUNG MIT STIFTEN ACMC025 - ACMC026  
 CONNECTIONS WITH PINS ACMC025 - ACMC026

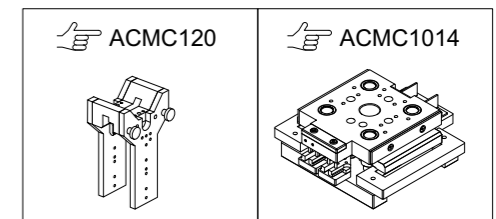
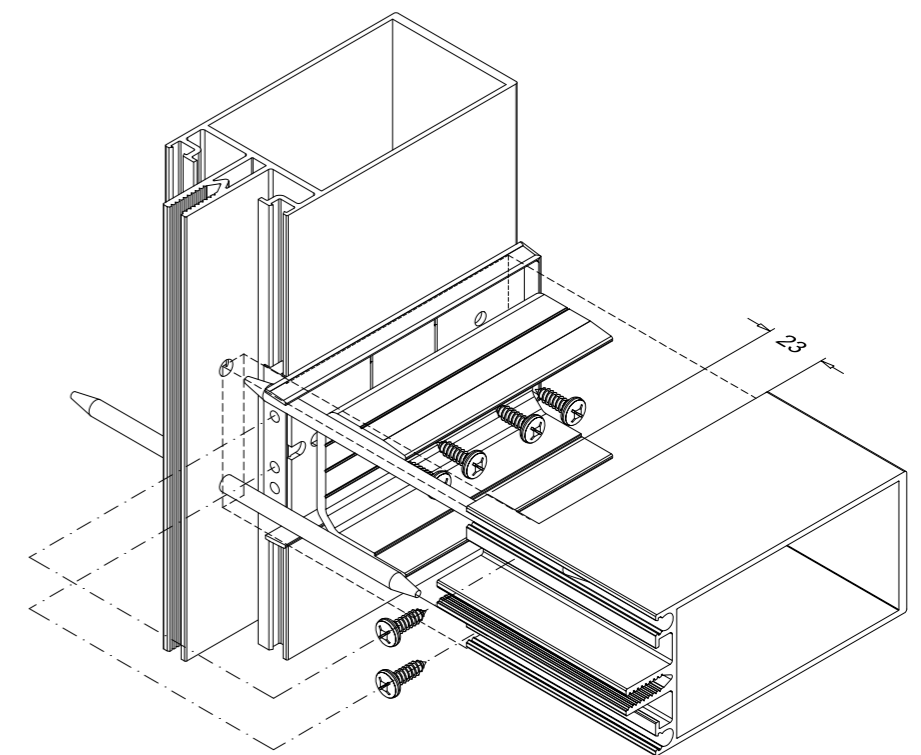
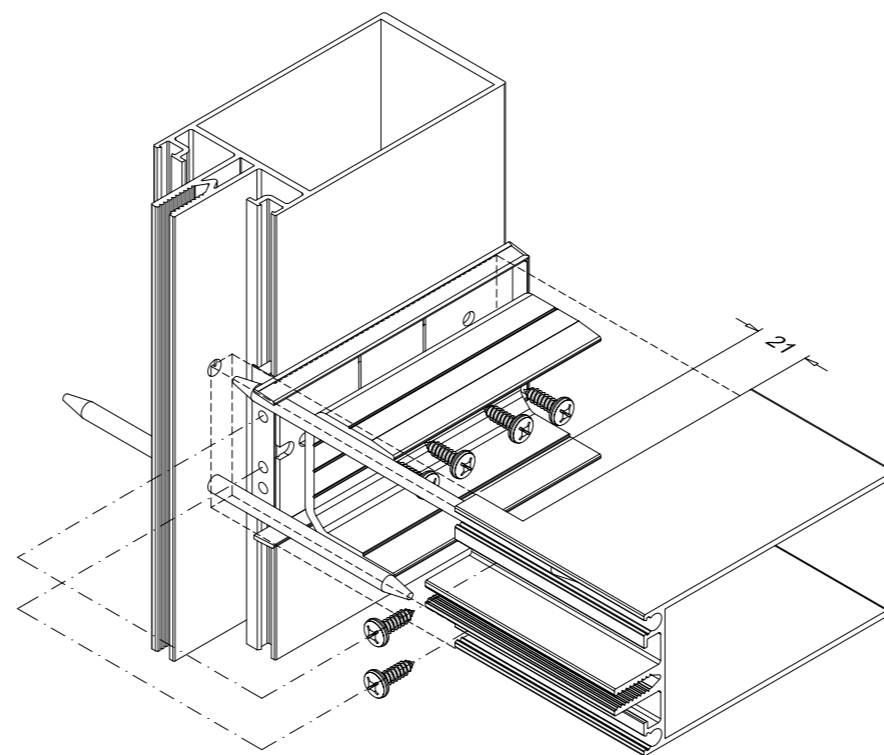
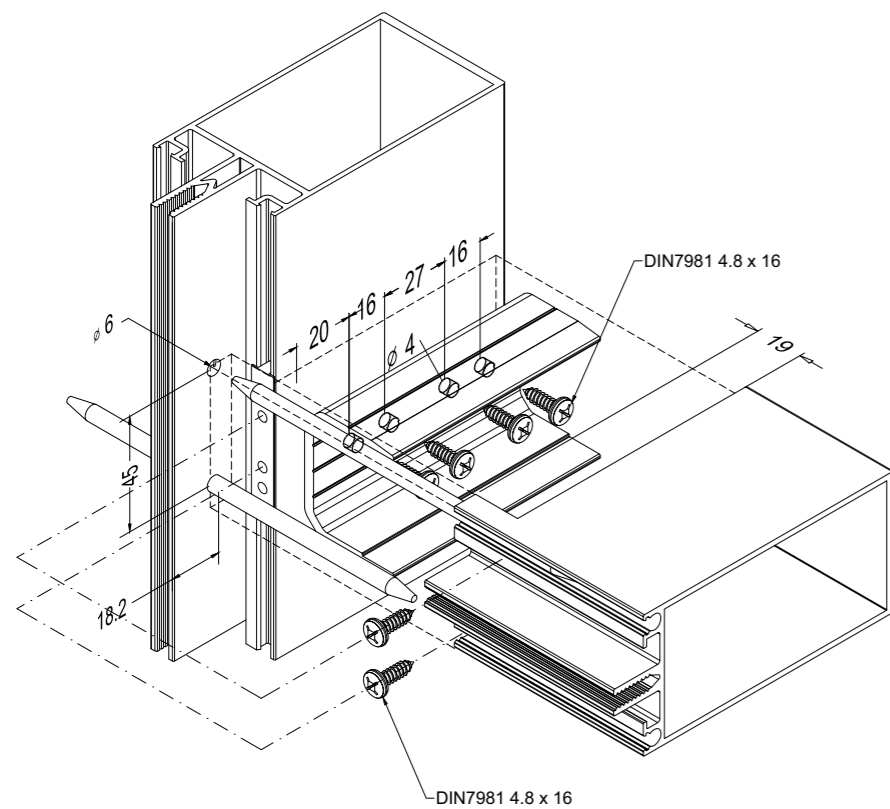
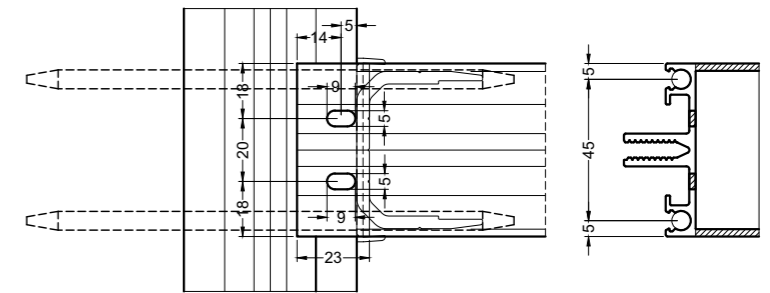
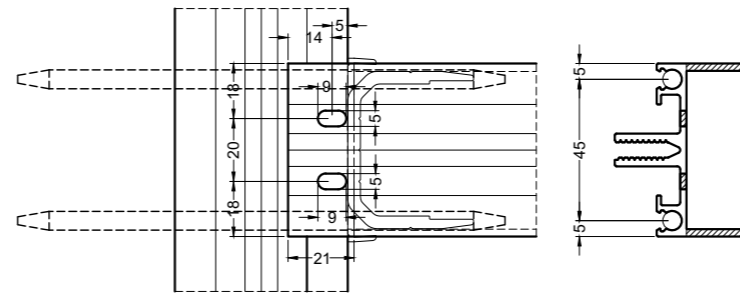
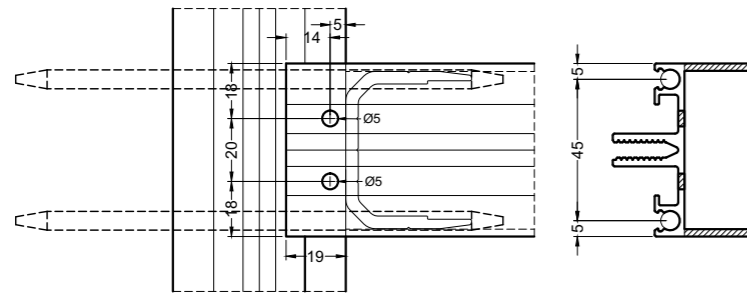


# MC-WALL

BEVESTIGING MET SCHROEVEN EN PENNEN ACMC025 - ACMC026  
 CONNECTION AVEC VIS ET TIGES ACMC025 - ACMC026  
 BEFESTIGUNG MIT SCHRAUBE UND STIFTEN ACMC025 - ACMC026  
 CONNECTIONS WITH SCREWS AND PINS ACMC025 - ACMC026



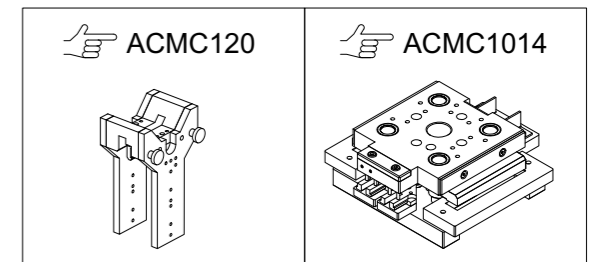
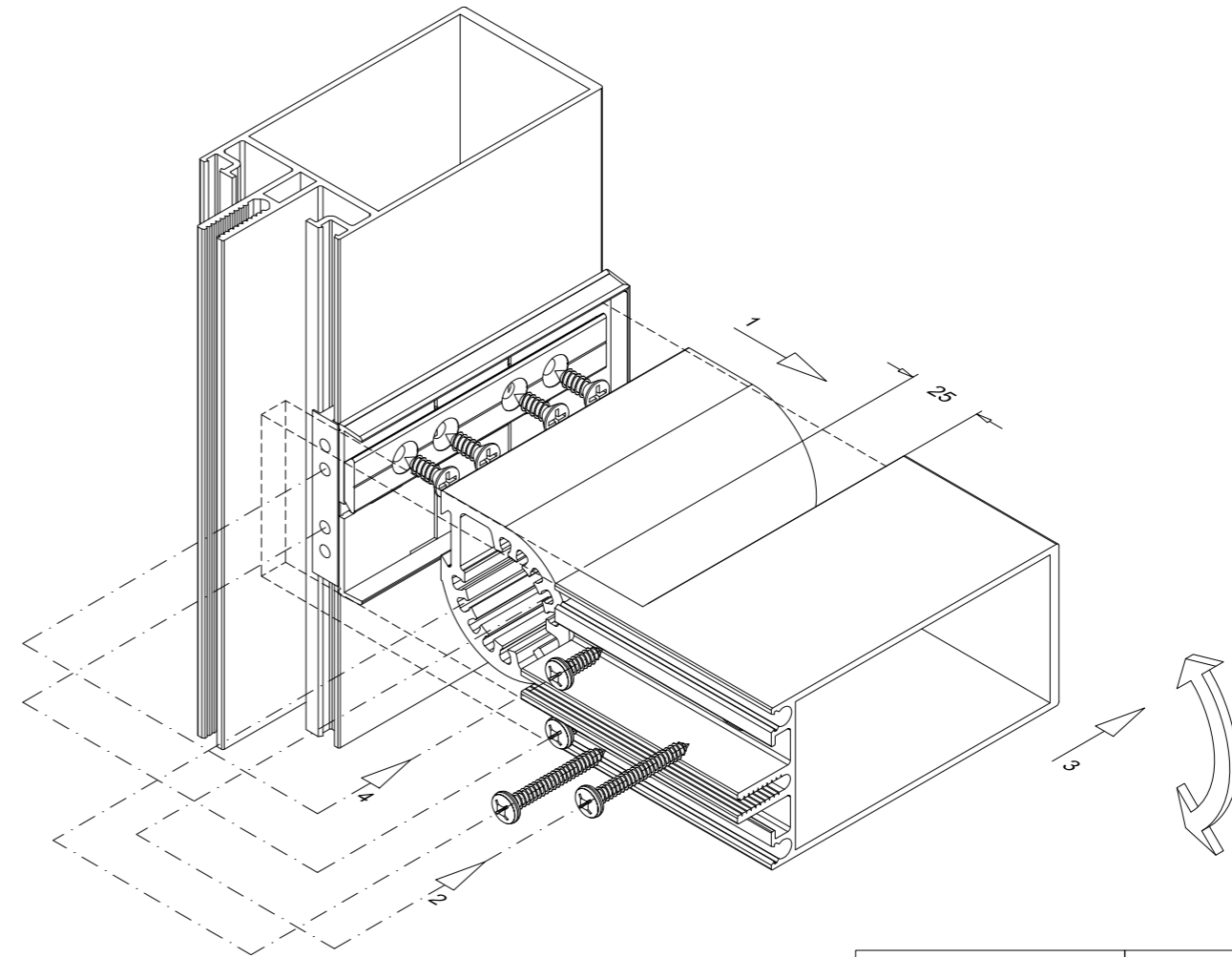
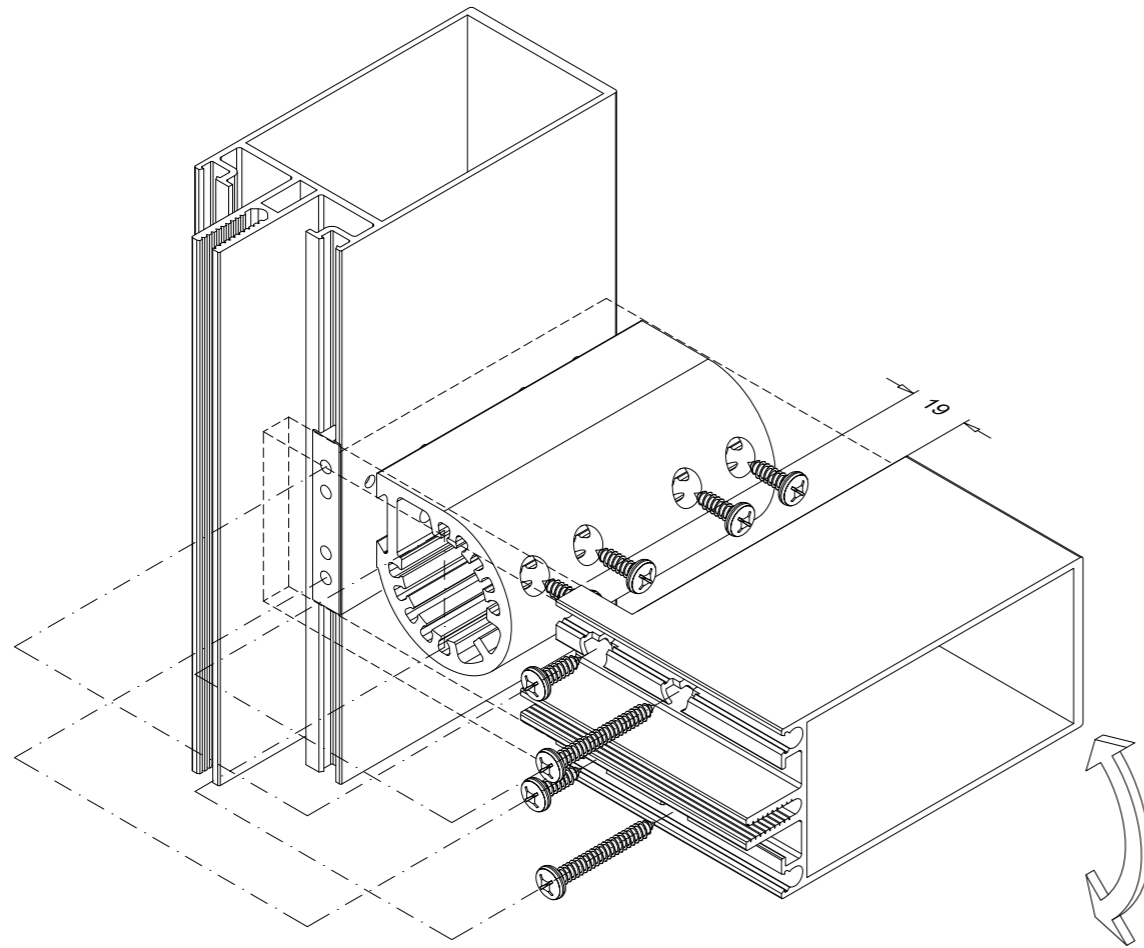
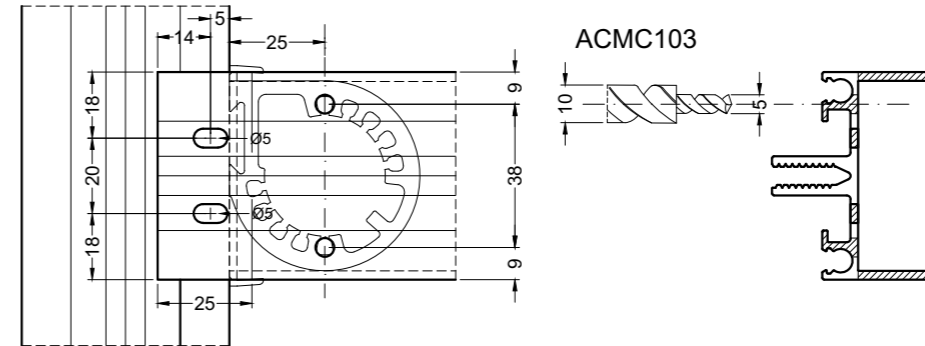
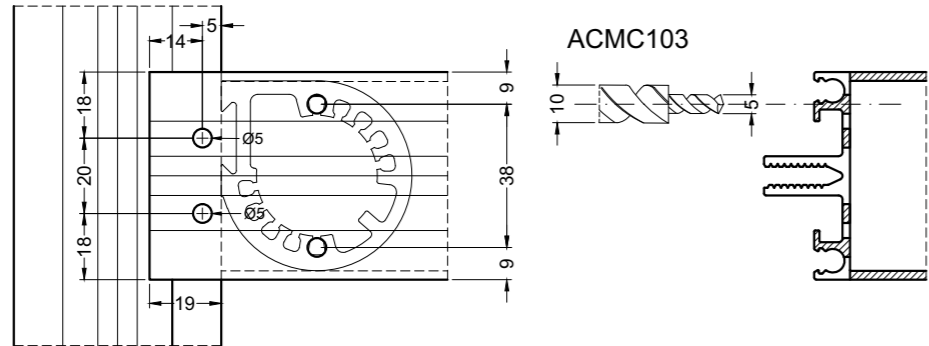
BEVESTIGING MET SCHROEVEN, PENNEN ACMC025 - ACMC026 EN VERBINDINGSTUK ACMC634C  
 CONNECTION AVEC VIS, TIGES ACMC025 - ACMC026 ET PIECE DE JONCTION ACMC634C  
 BEFESTIGUNG MIT SCHRAUBE, STIFTEN ACMC025 - ACMC026 UND VERBINDUNG ACMC634C  
 CONNECTIONS WITH SCREWS, PINS ACMC025 - ACMC026 AND BRACKET ACMC634C



WERKTEKENINGEN - DESSINS DE CONSTRUCTION - KONSTRUKTIONZEICHNUNGEN - CONSTRUCTION DRAWINGS

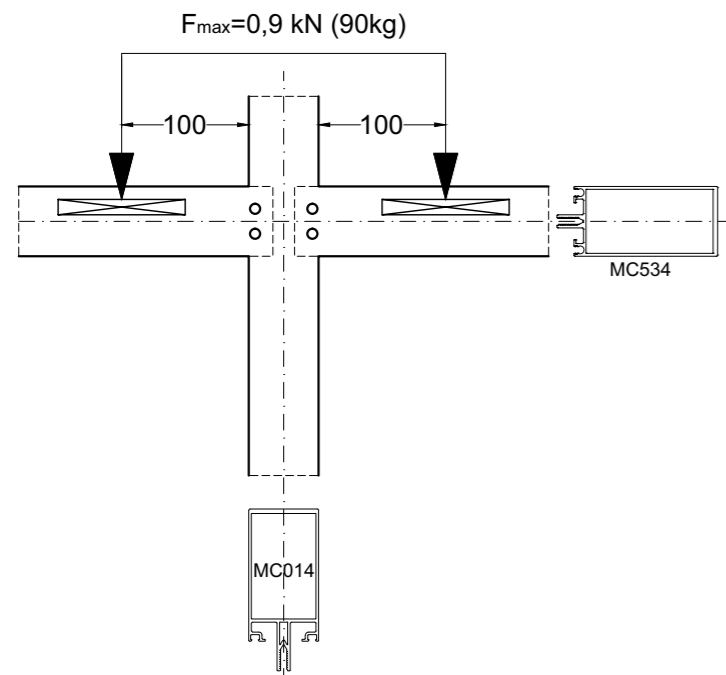
# MC-WALL

BEVESTIGING MET VERBINDINGSTUK ONDER HOEK  
 CONNECTION AVEC PIECE DE JONCTION SUR ANGLE  
 BEFESTIGUNG MIT VERSTELBARE VERBINDUNG  
 CONNECTIONS WITH ADJUSTABLE BRACKET

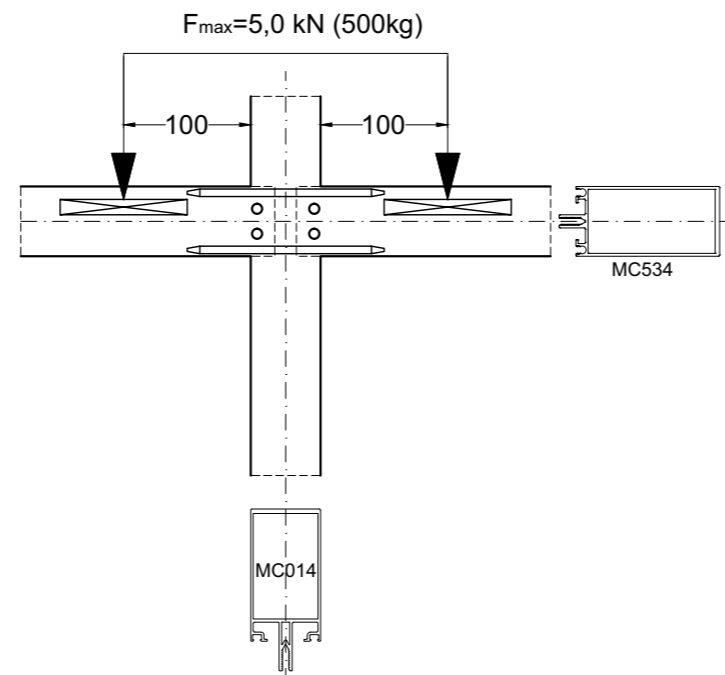


CAPACITEIT VAN DE VERBINDING  
 CAPACITÉ DE CONNEXION  
 KAPAZITÄT VON VERBINDUNG  
 CAPACITY OF CONNECTION

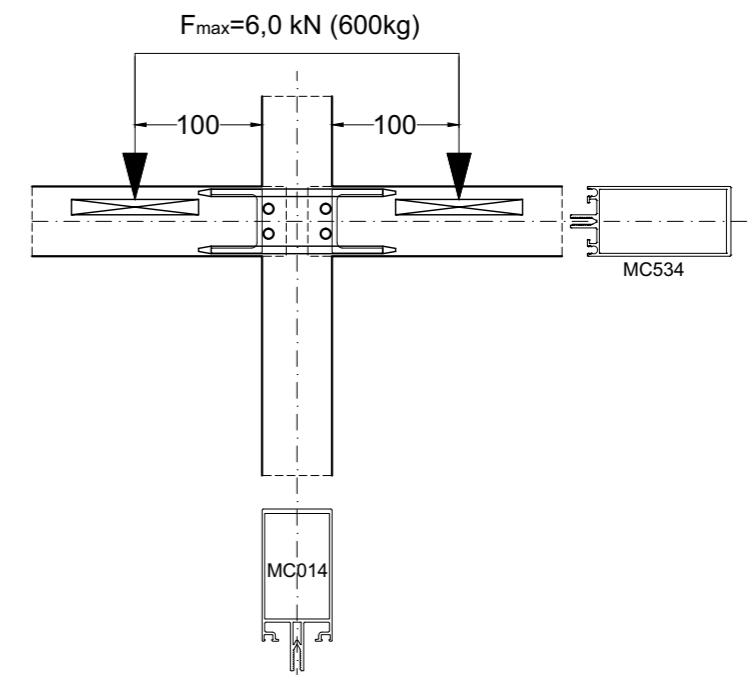
VERBINDING MET SCHROEVEN  
 CONNECTION AVEC VIS  
 VERBINDUNG MIT SCHRAUBE  
 CONNECTION WITH SCREWS



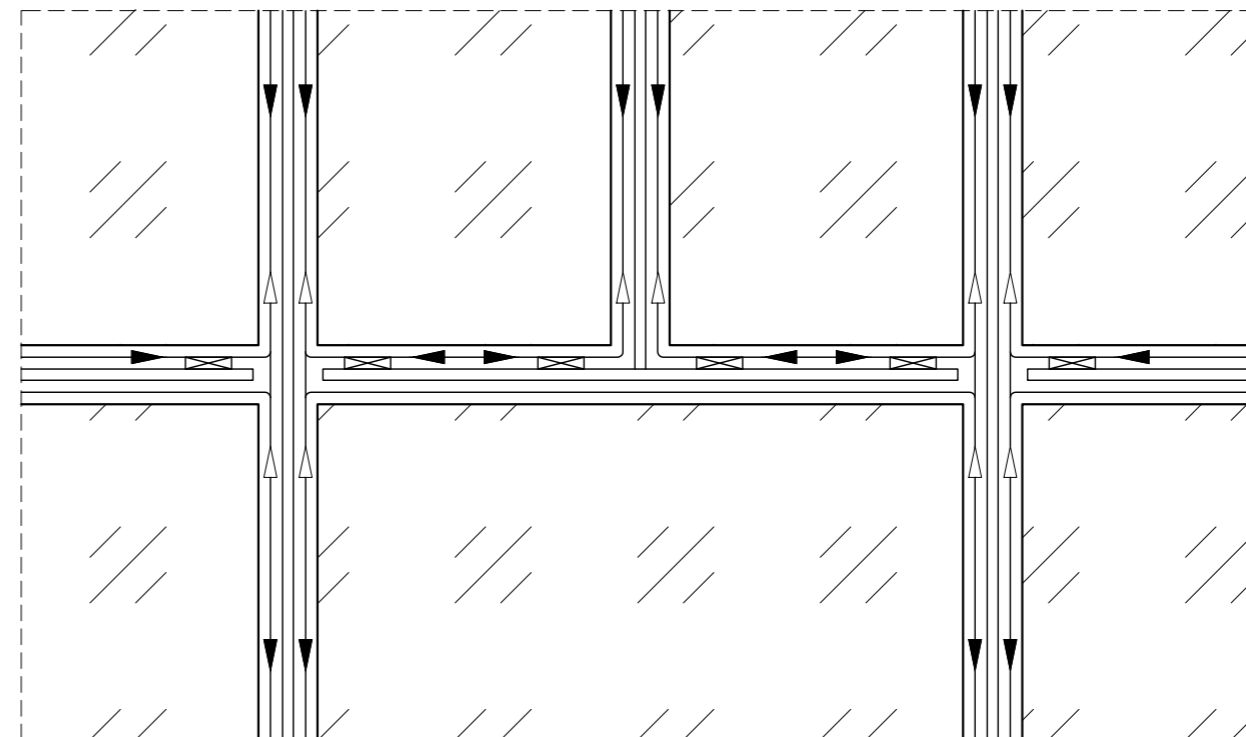
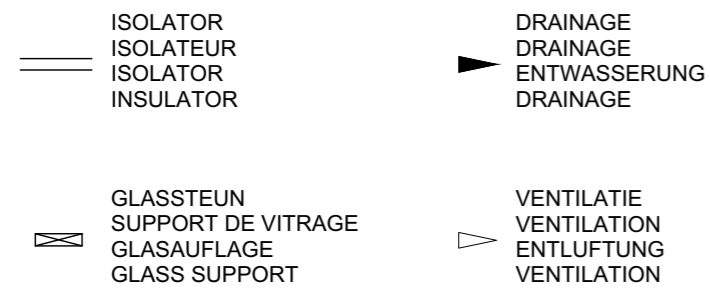
VERBINDING MET PENNEN  
 CONNECTION AVEC TIGES  
 VERBINDUNG MIT STIFTEN  
 CONNECTION WITH PINS



VERBINDING MET SCHROEVEN, PENNEN EN VERBINDINGSTUK  
 CONNECTION AVEC VIS, TIGES ET PIECE DE JONCTION  
 VERBINDUNG MIT SCHRAUBE, STIFTEN UND VERBINDUNGSSTUCK  
 CONNECTION WITH SCREWS, PINS AND BRACKET

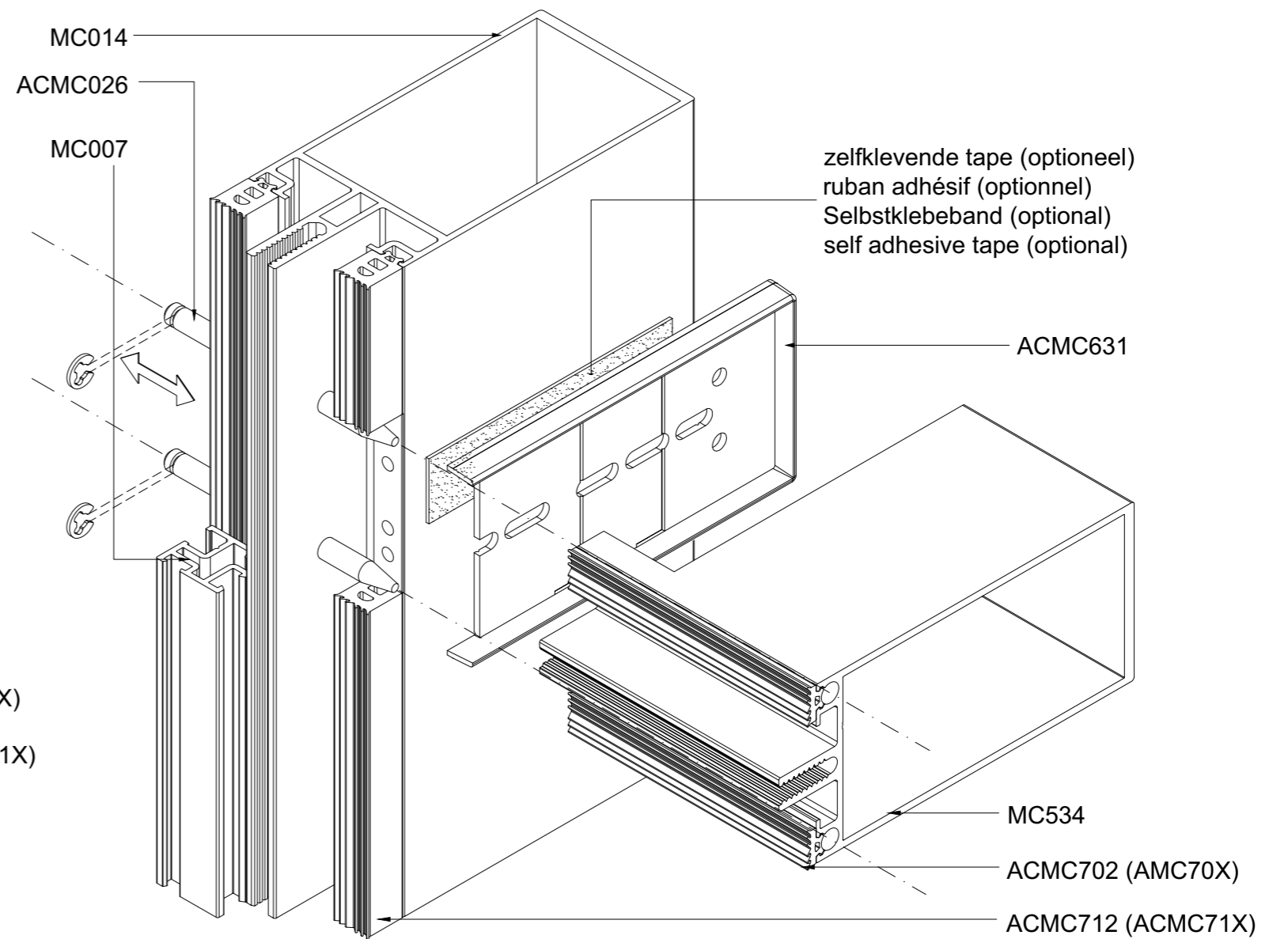
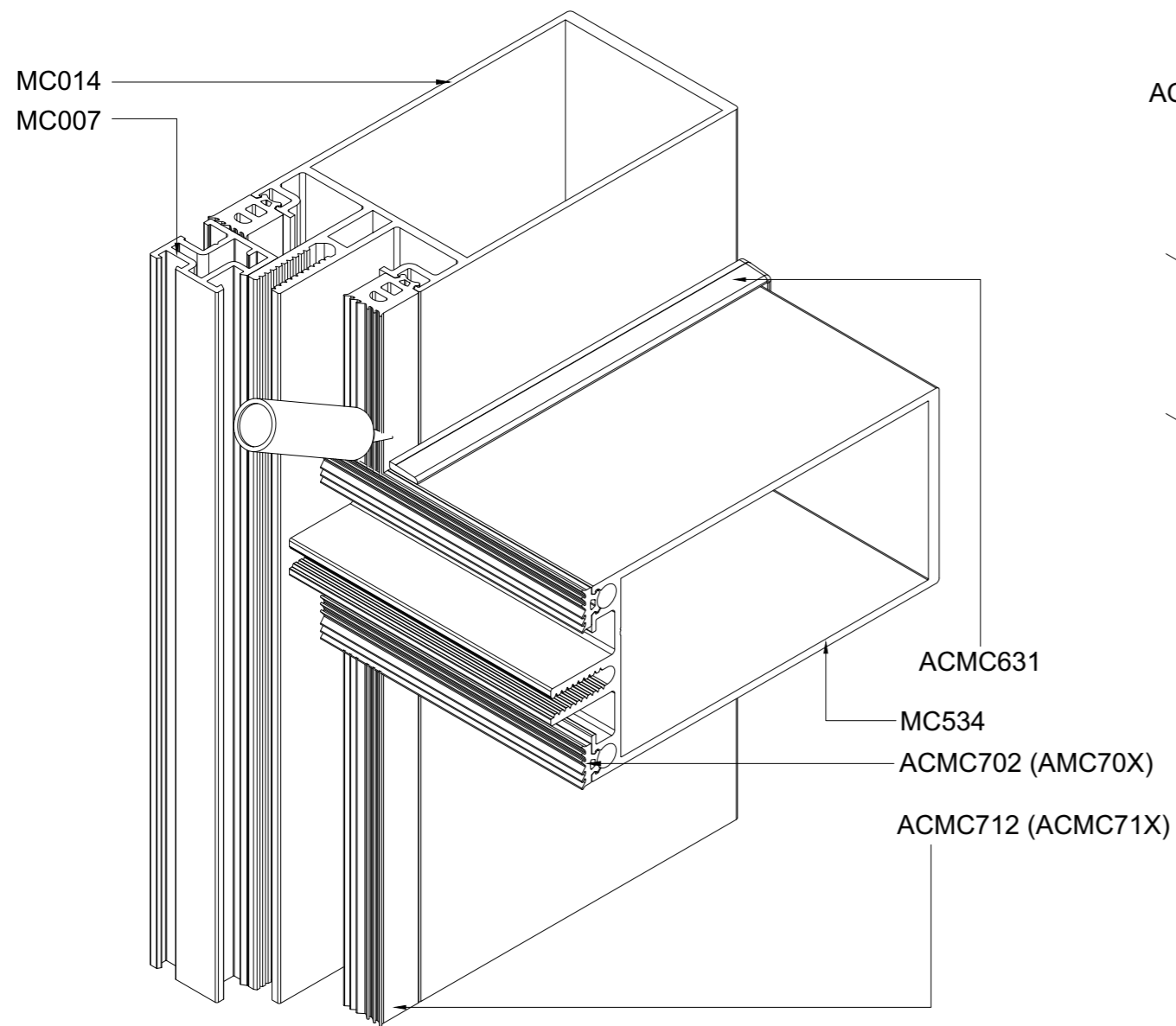


VENTILATIE EN DRAINAGE  
 VENTILATION ET DRAINAGE  
 ENTLUFTUNG UND ENTWASSERUNG  
 VENTILATION AND DRAINAGE

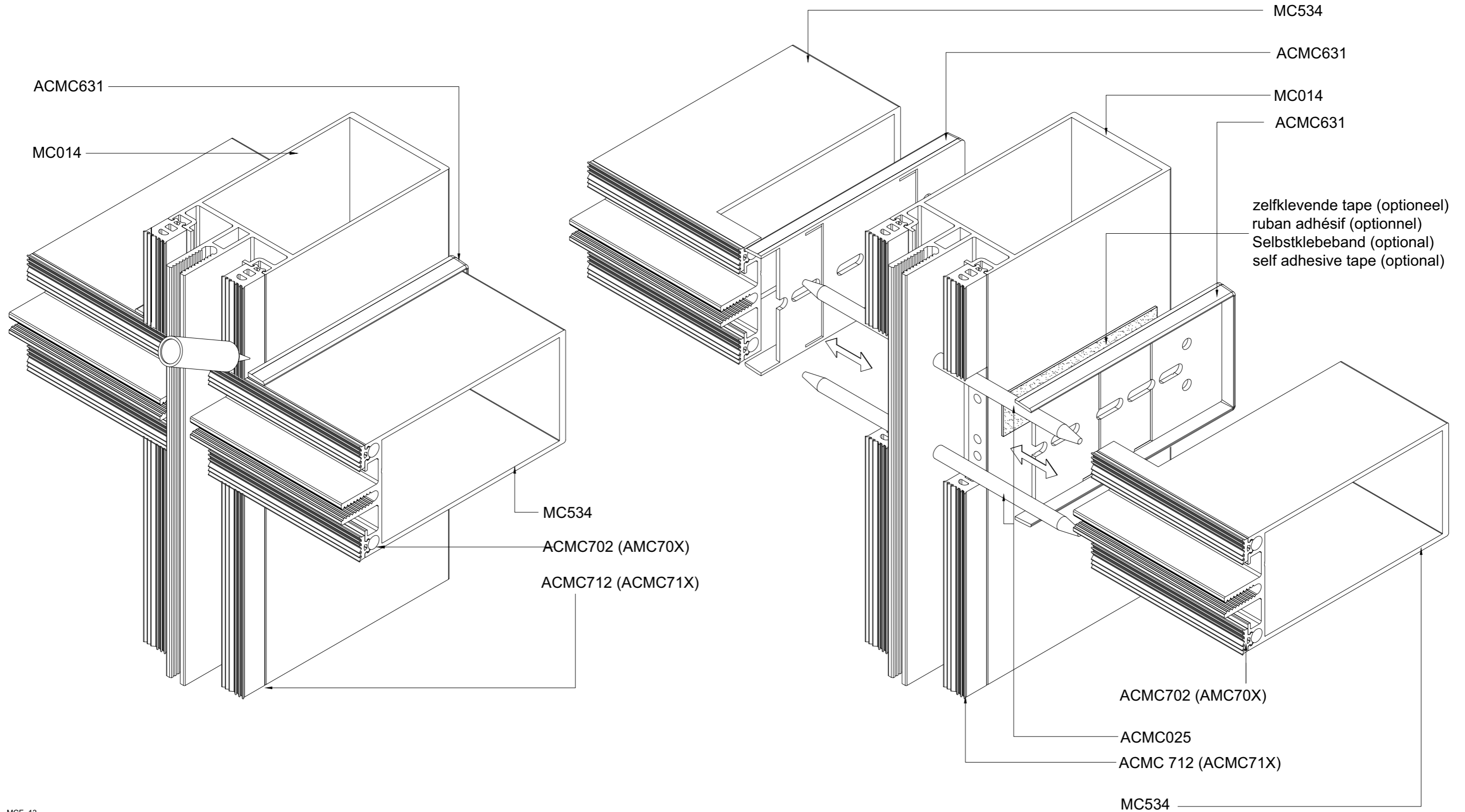


# MC-WALL

VERBINDING MET PENNEN - ACMC026  
 CONNECTION AVEC TIGES - ACMC026  
 VERBINDUNG MIT STIFTEN - ACMC026  
 CONNECTION WITH PINS - ACMC026



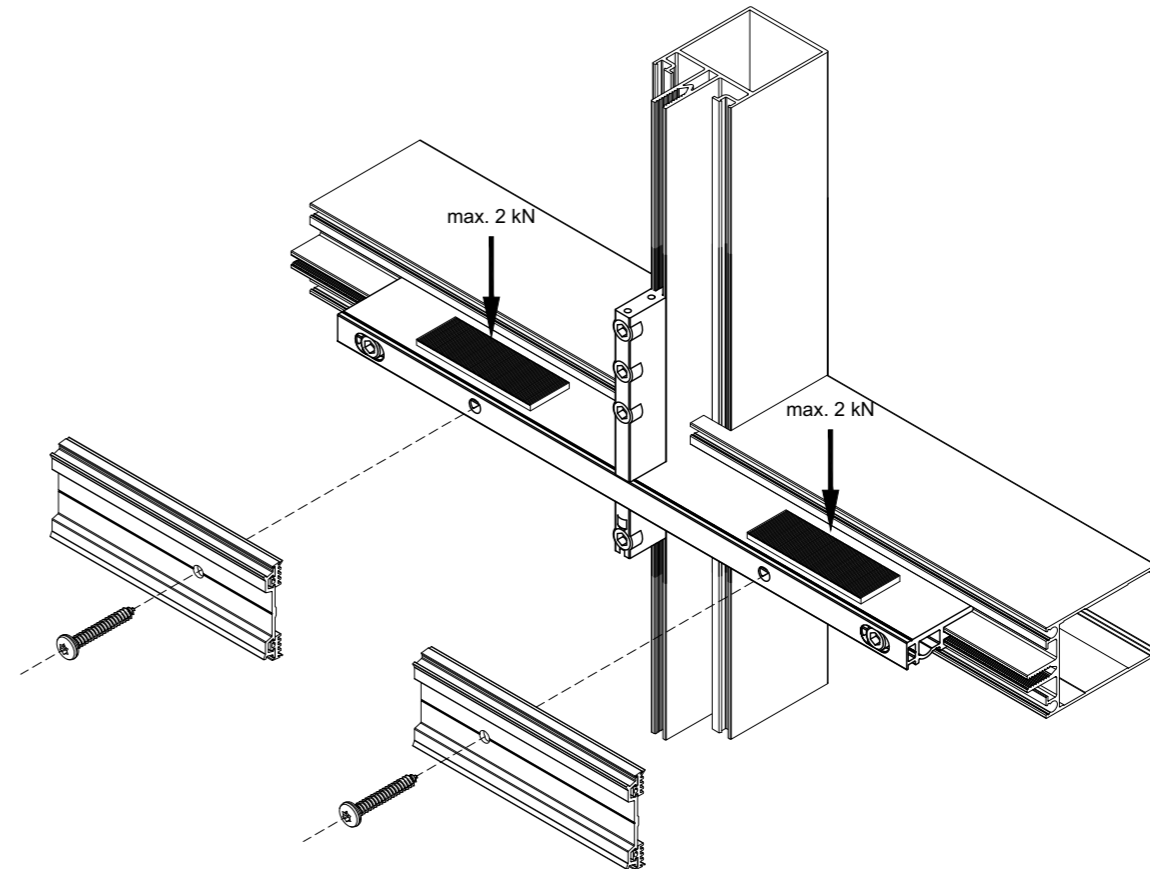
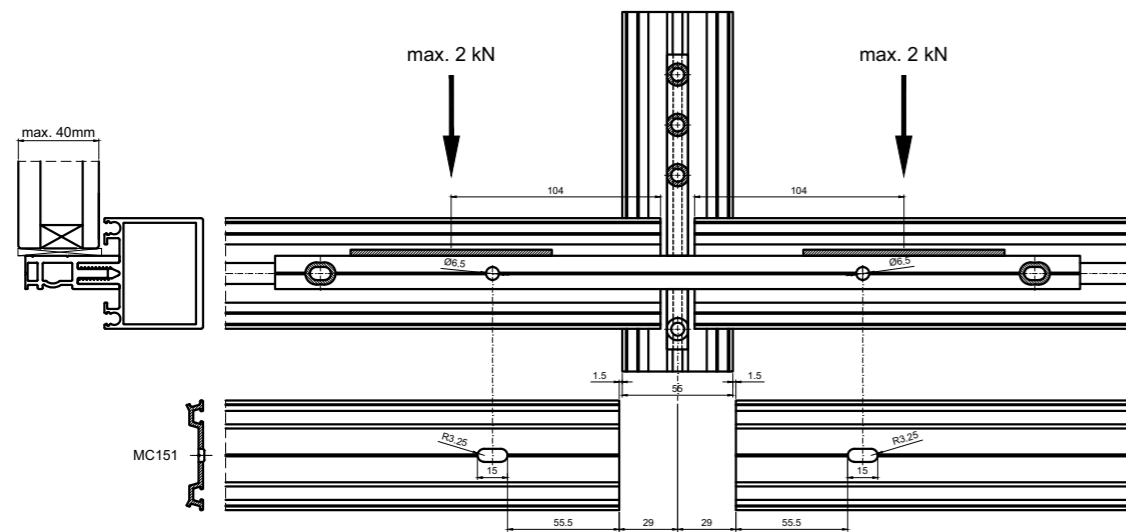
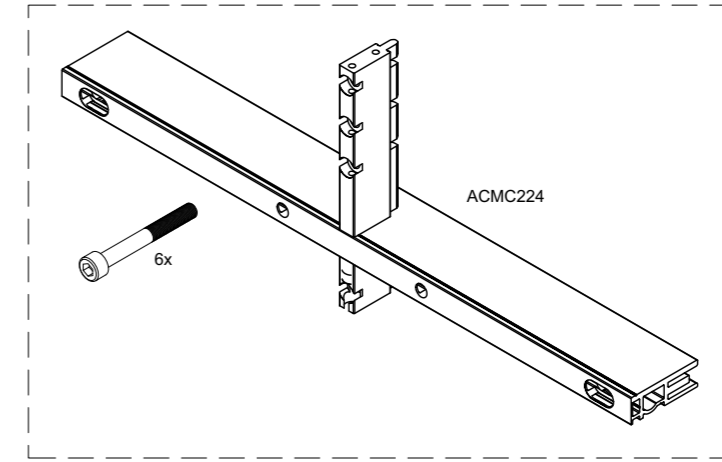
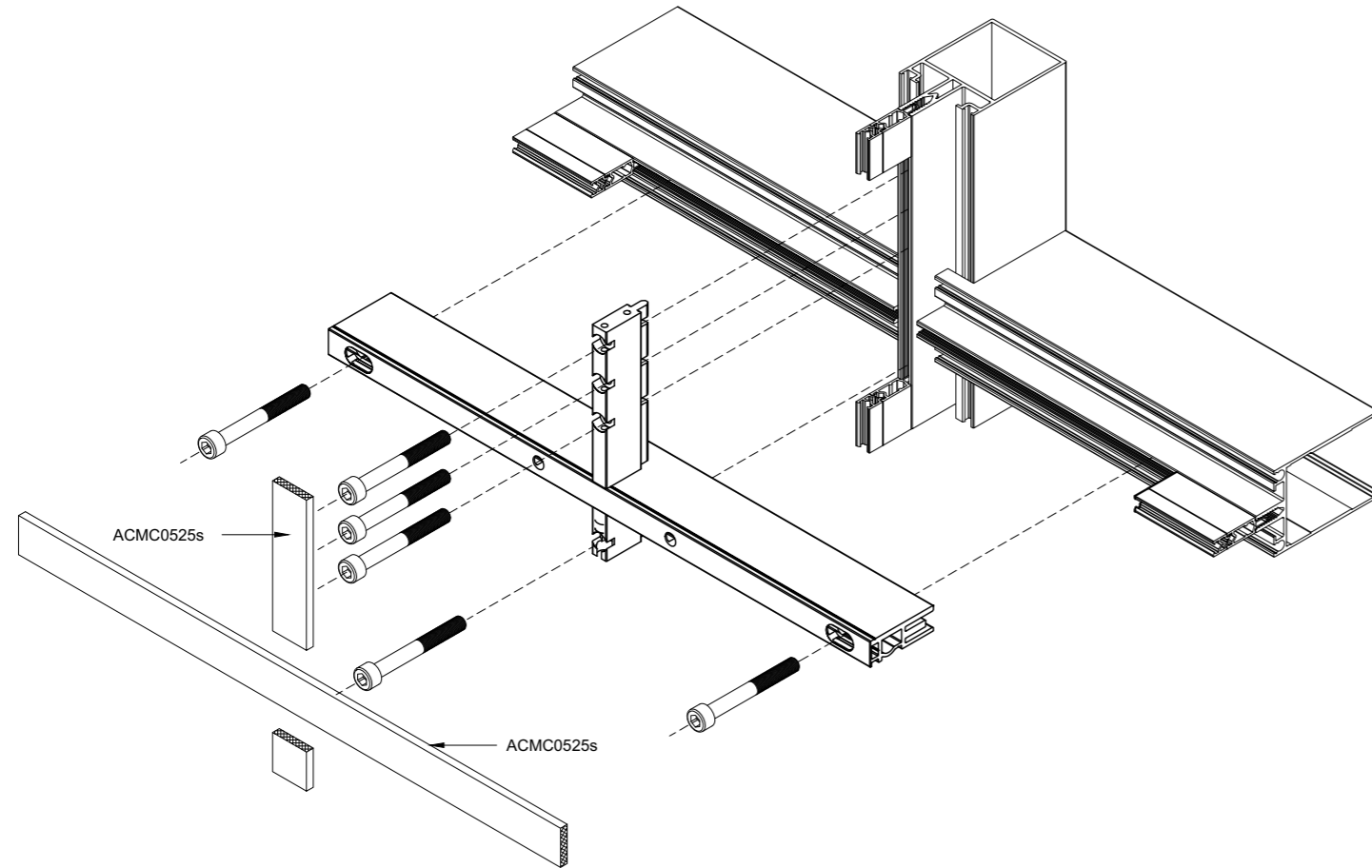
VERBINDING MET PENNEN - ACMC025  
 CONNECTION AVEC TIGES - ACMC025  
 VERBINDUNG MIT STIFTEN - ACMC025  
 CONNECTION WITH PINS - ACMC025



WERKTEKENINGEN - DESSINS DE CONSTRUCTION - KONSTRUKTIONZEICHNUNGEN - CONSTRUCTION DRAWINGS

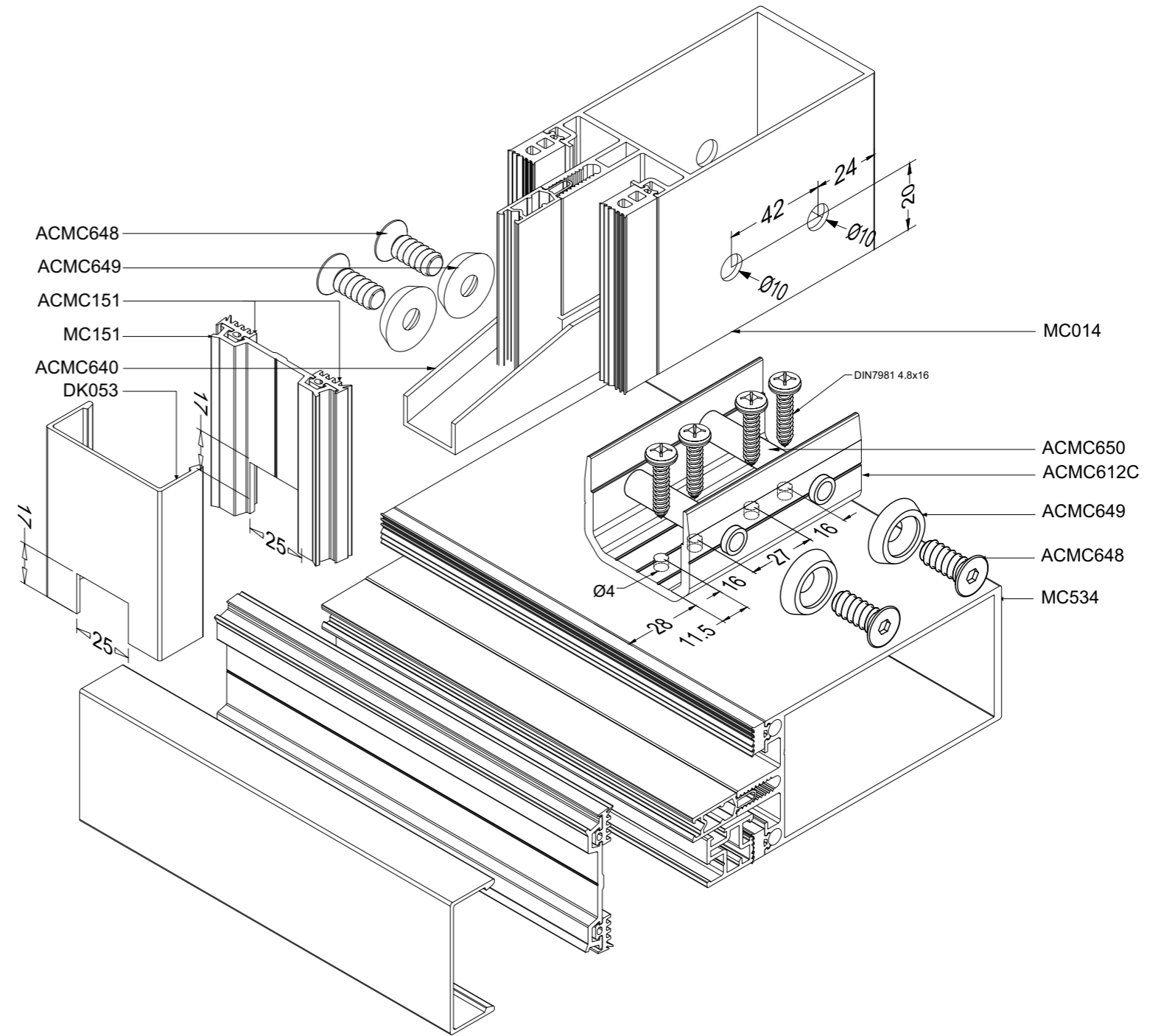
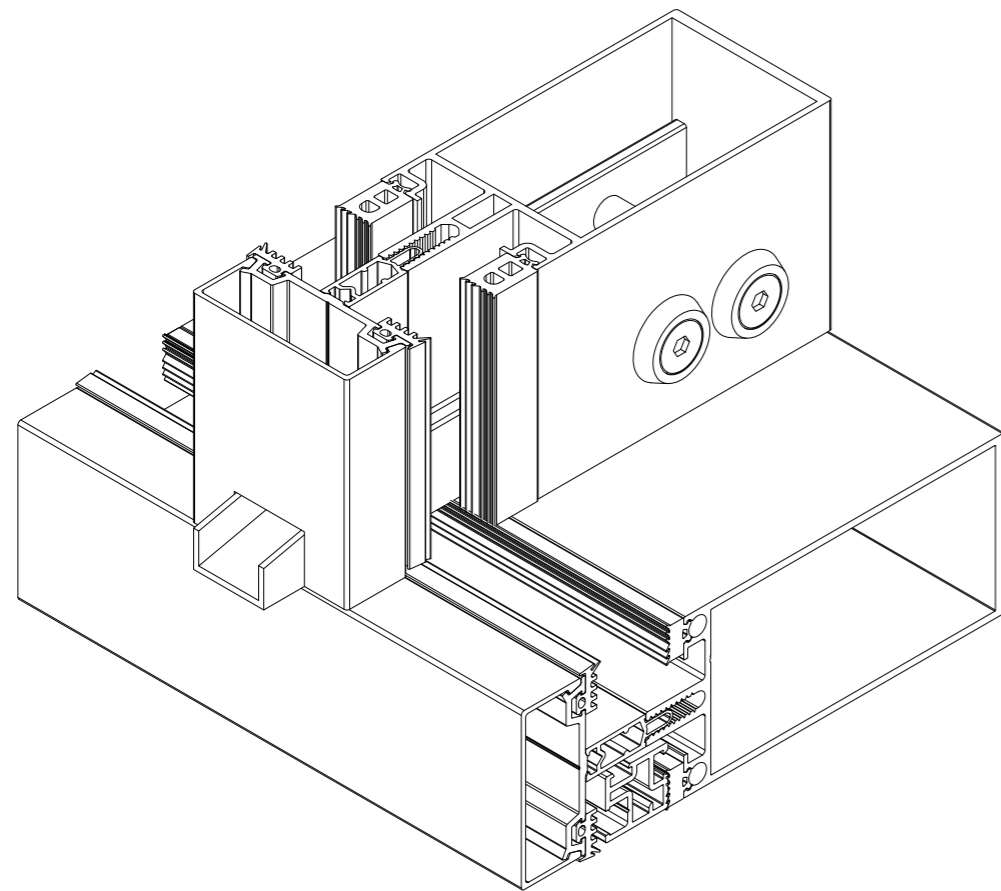
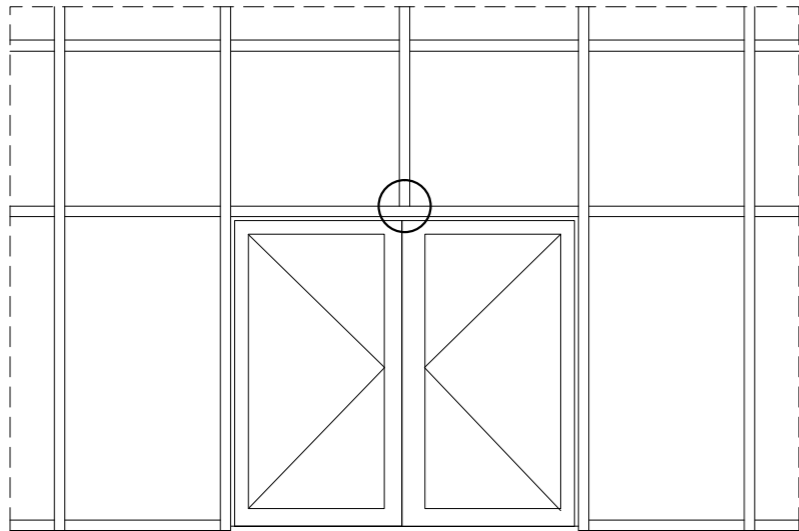
# MC-WALL

VERBINDING GEVEL 4 kN  
 SUPPORT DE FACADE 4kN  
 VERBINDUNG FACADE 4kN  
 MOUNTING SUPPORT 4kN





VERBINDING DOORLOPENDE REGEL MET STIJL  
 CONNEXION TRAVERSE CONTINU AVEC MONTANT  
 VERBINDUNG UNUNTERBROCHEN RIEGEL MIT PFOST  
 CONNECTION CONTINUOUS TRANSOM WITH MULLION



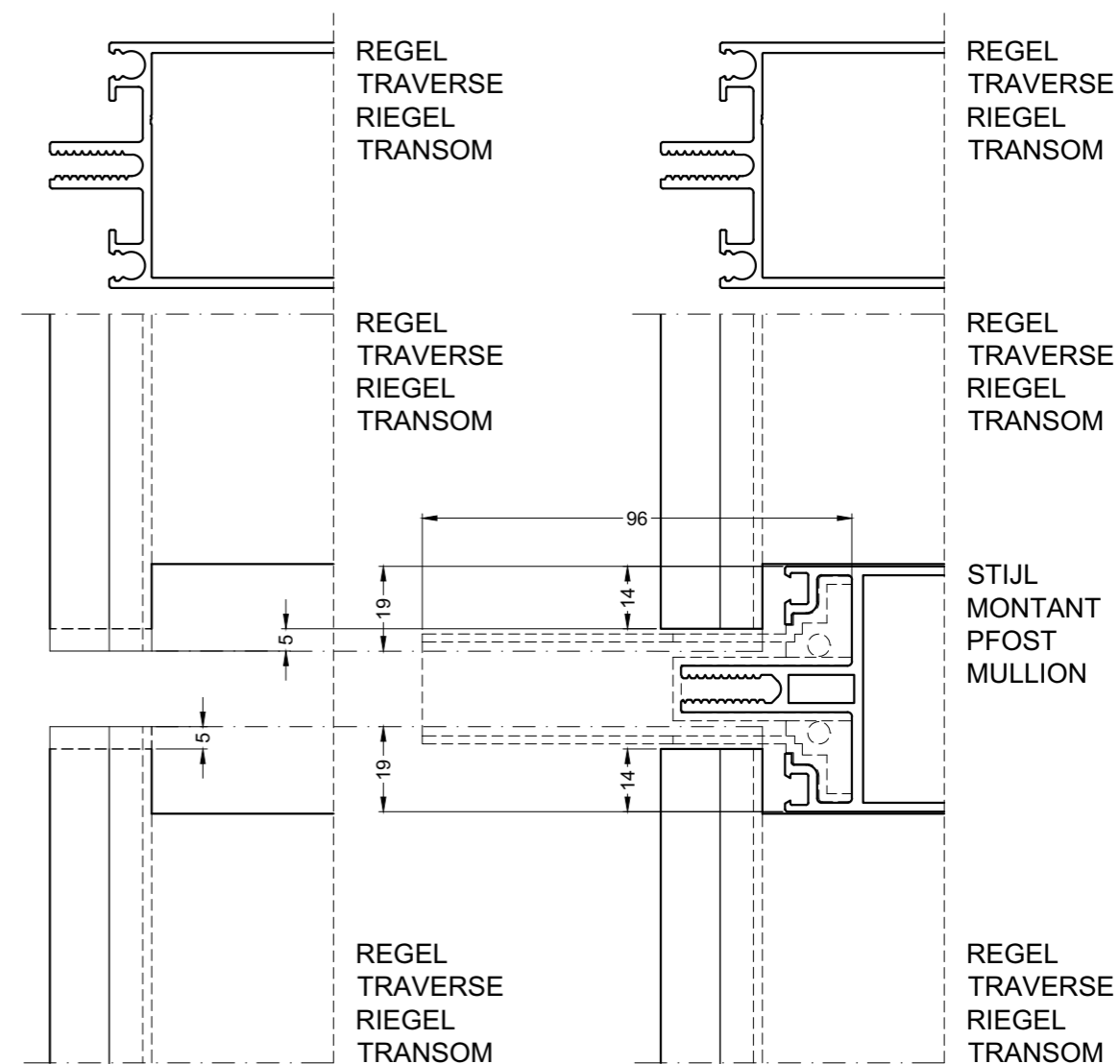
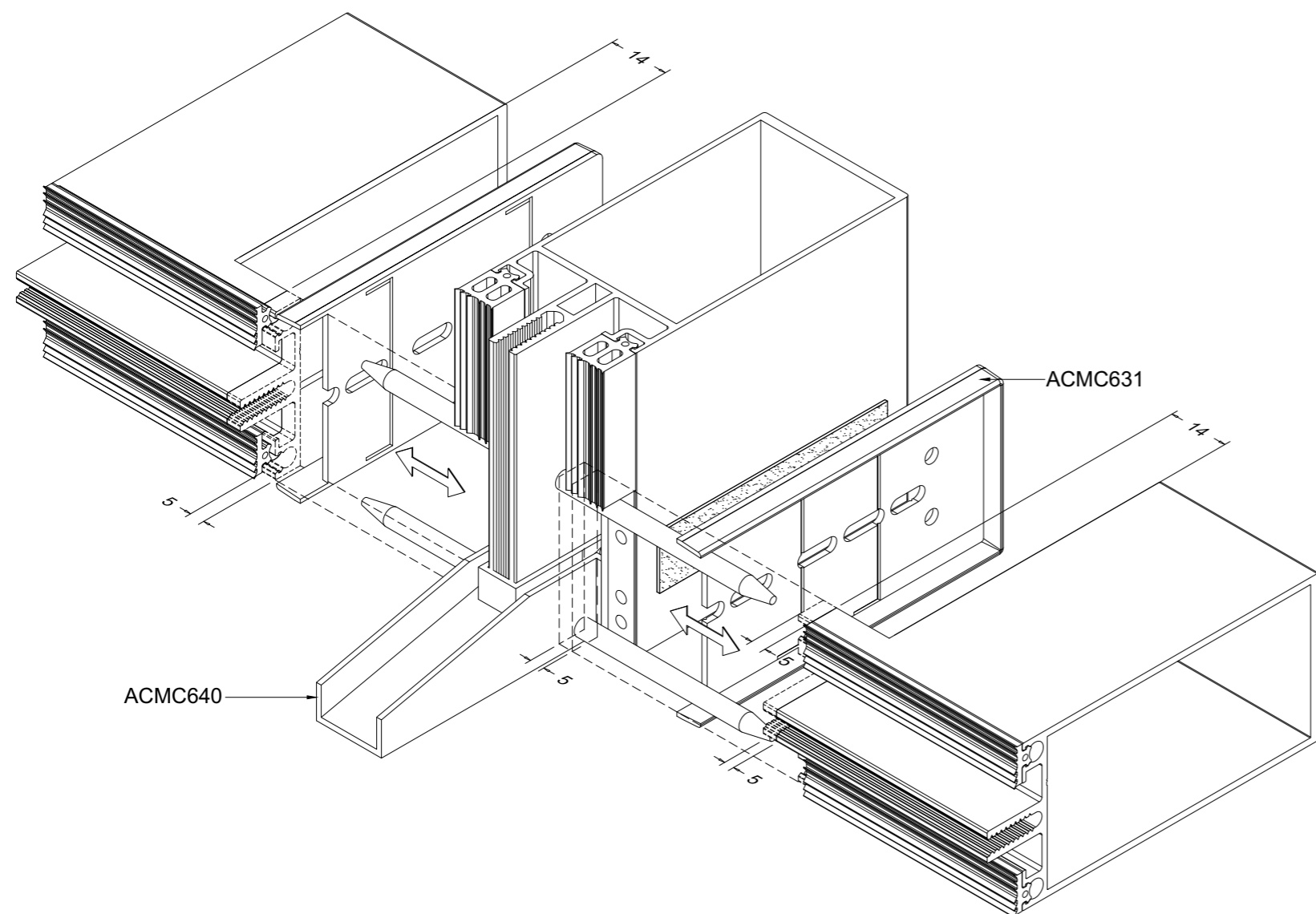
WERKTEKENINGEN - DESSINS DE CONSTRUCTION - KONSTRUKTIONZEICHNUNGEN - CONSTRUCTION DRAWINGS

# MC-WALL

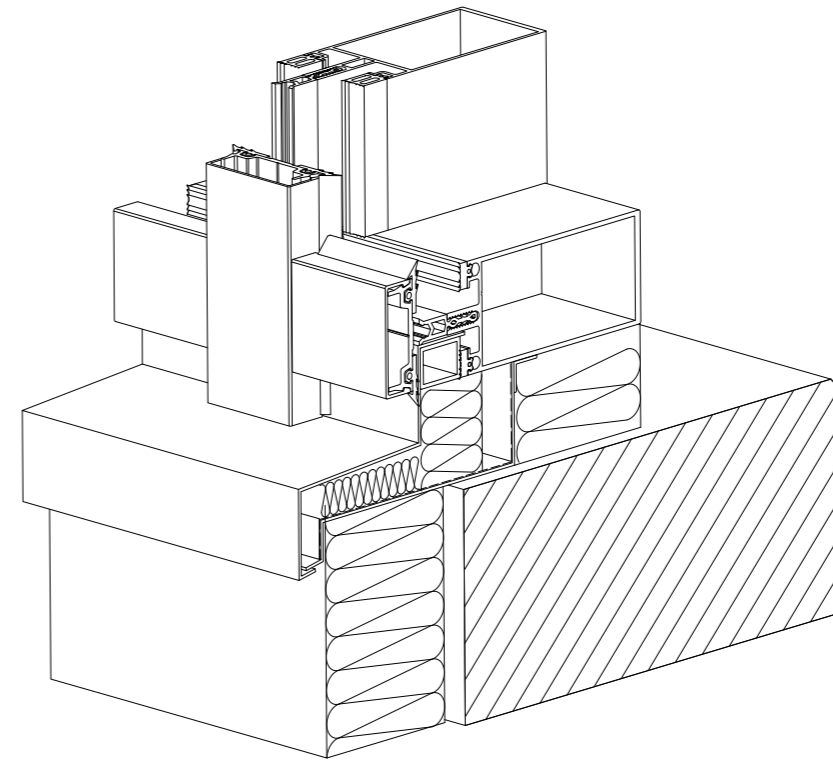
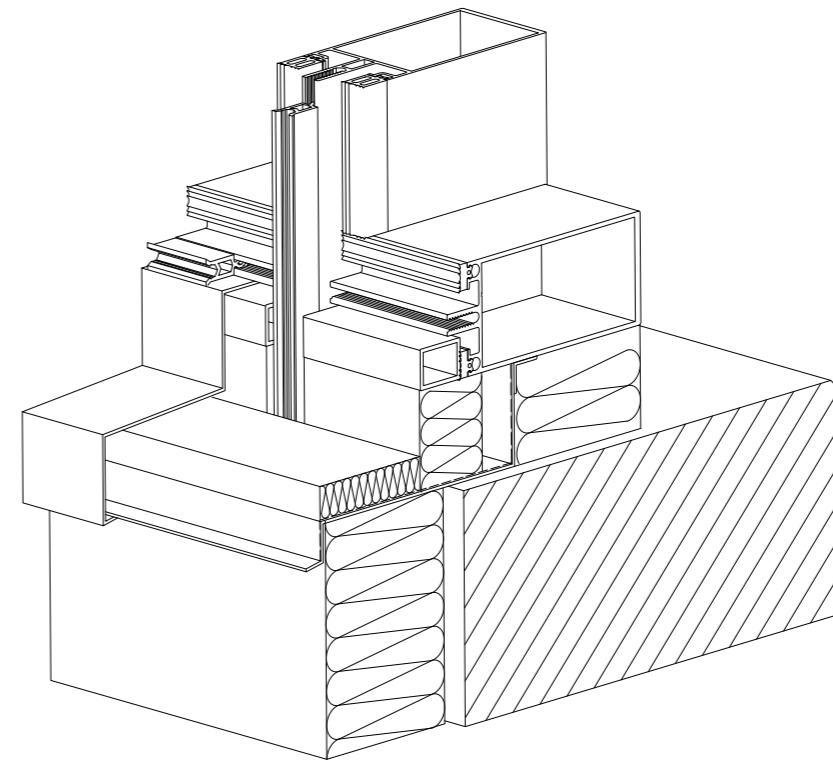
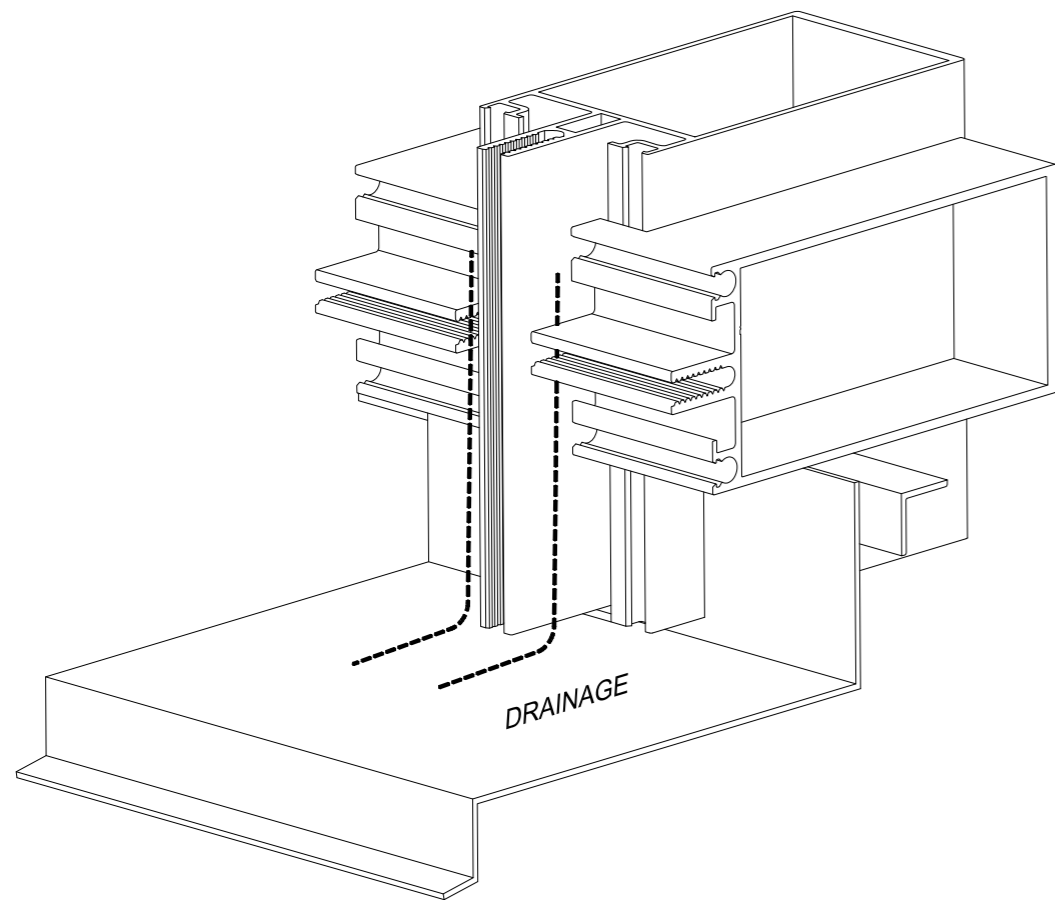
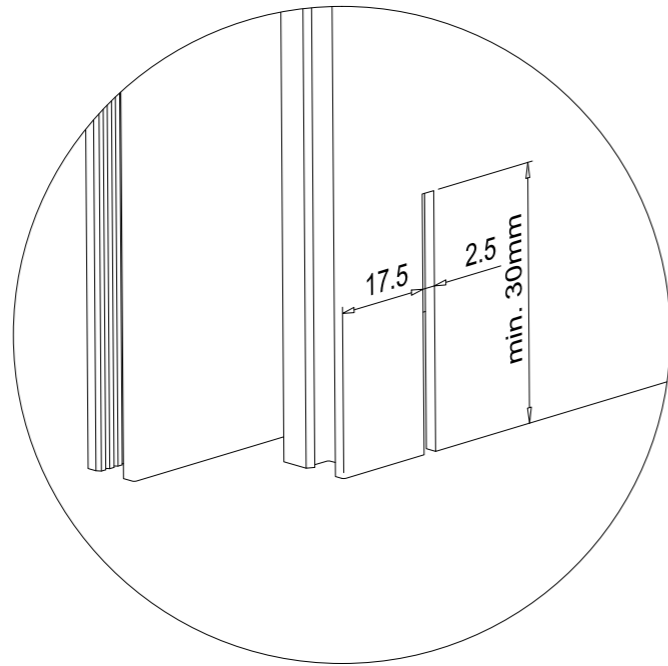
TOEPASSING VAN ACMC640 IN HET VERLENGDE VAN DE REGELS  
 APPLICATION D'ACMC640 EN LIGNE DE TRAVERSESES  
 ANWENDUNG VON ACMC640 IN DER LEITUNG VON DER RIEGEL  
 APPLICATION OF ACMC640 IN LINE OF TRANSOMS



WANNEER ACMC640 IN HET VERLENGDE VAN DE REGELS WORDT GEMONTEERD, DIET ER 5MM EXTRA TE WORDEN AFGEKORT VAN DE REGELS  
 QUAND ACMC640 EST ASSEMBLÉ EN LIGNE DE TRAVERSESES, IL DEVRAIT COUPER 5MM EXTRA  
 WENN ACMC640 IST MONTIERT IN DER LEITUNG VON DER RIEGEL, SOLLTE ES 5MM EXTRA KURZER ZU SCHNEIDEN  
 WHEN ACMC640 IS ASSEMBLED IN LINE OF TRANSOMS, END OF TRANSOMS MUST BE CUTTED ADDITIONALLY 5MM MORE



ONTWATERING - BEWERKING STIJL  
DRAINAGE - MODIFICATION MONTANT  
DRAINAGE - BEARBEITUNG PFOST  
DRAINAGE - MACHINING MULLION

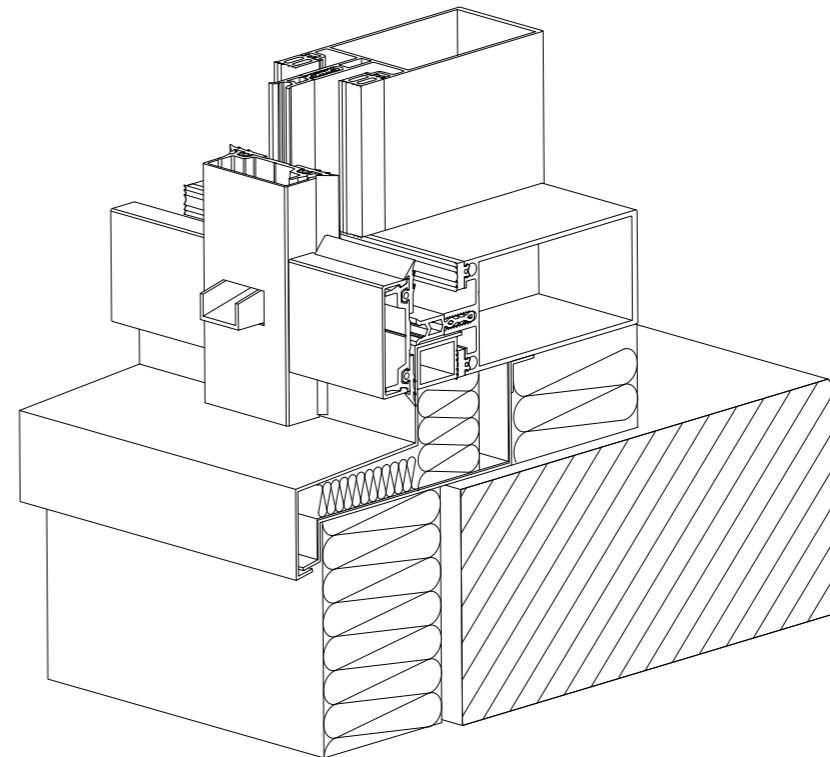
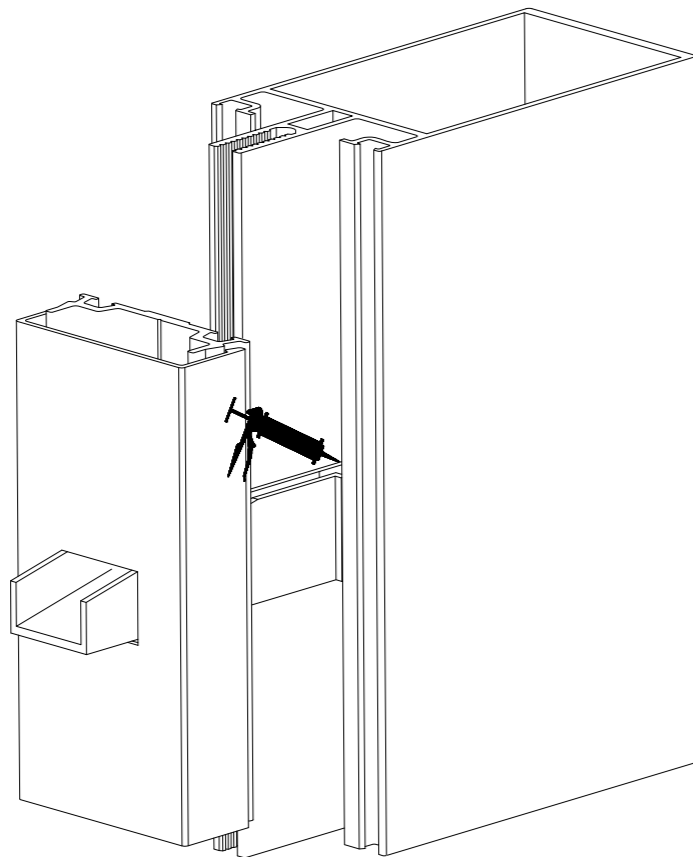
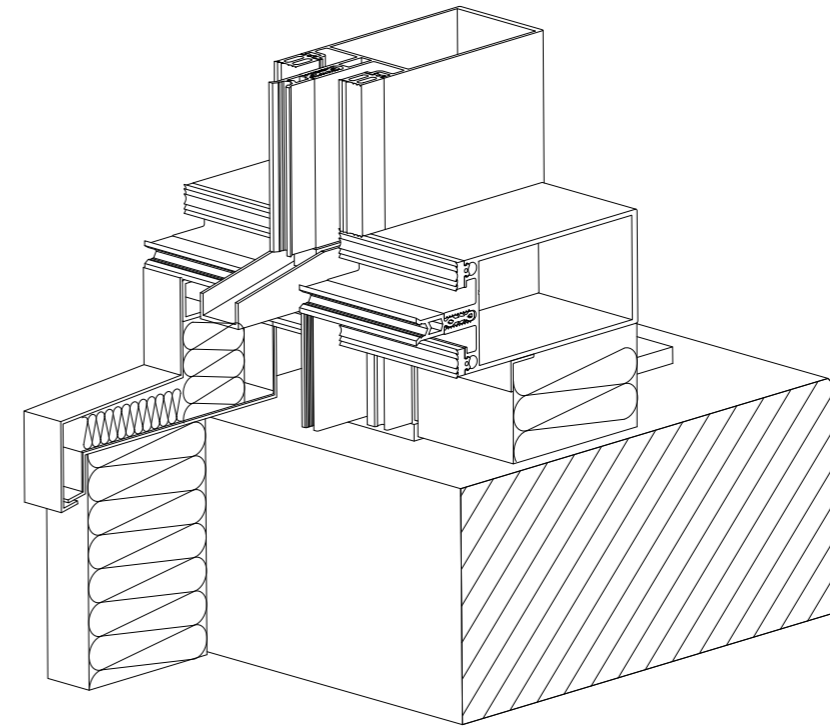
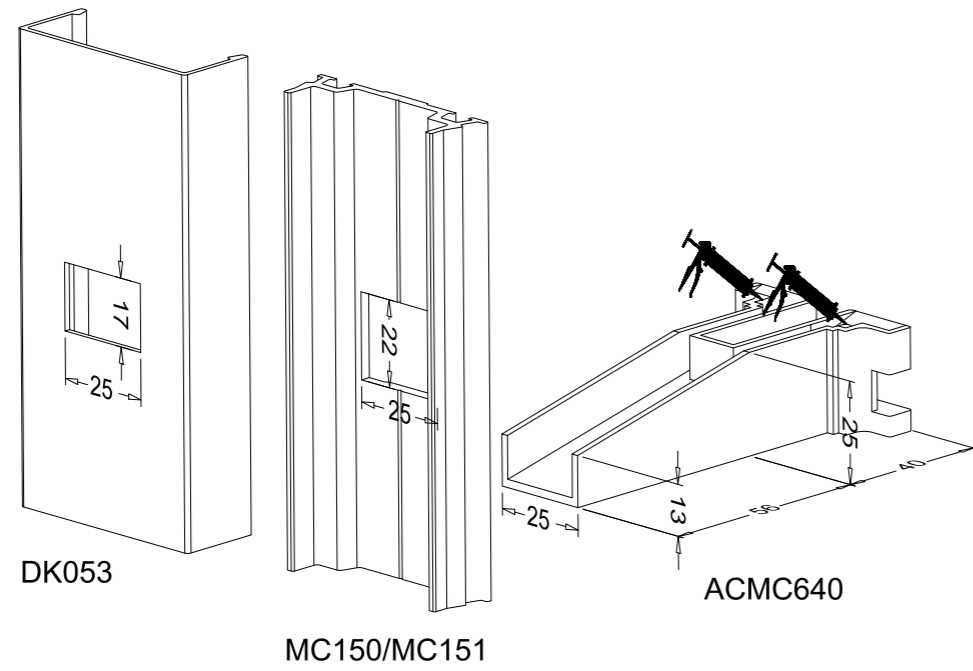


MCF\_17

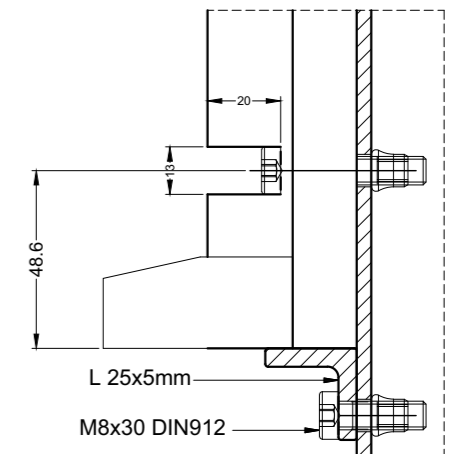
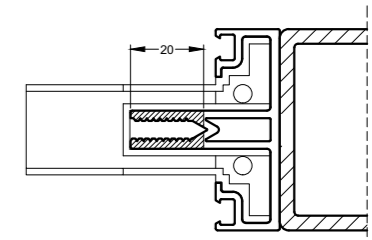
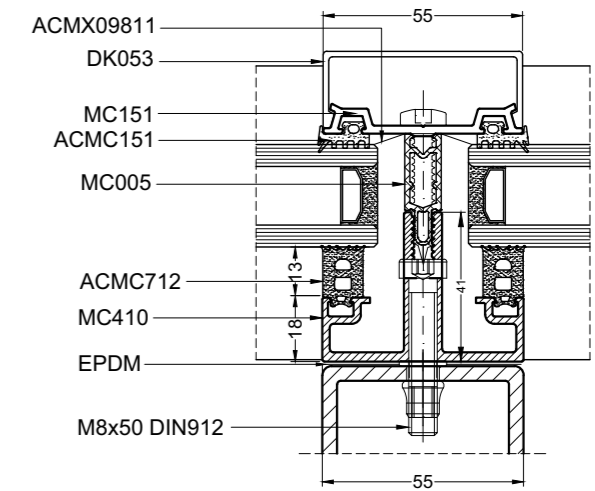
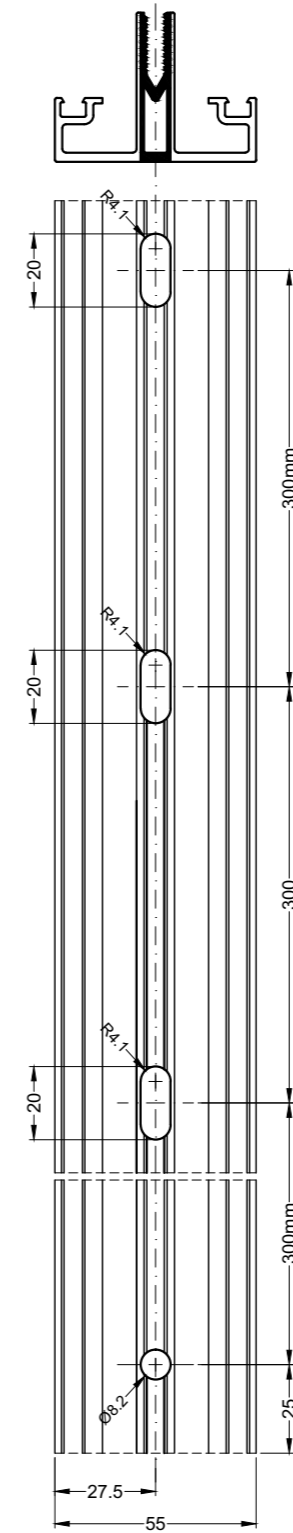
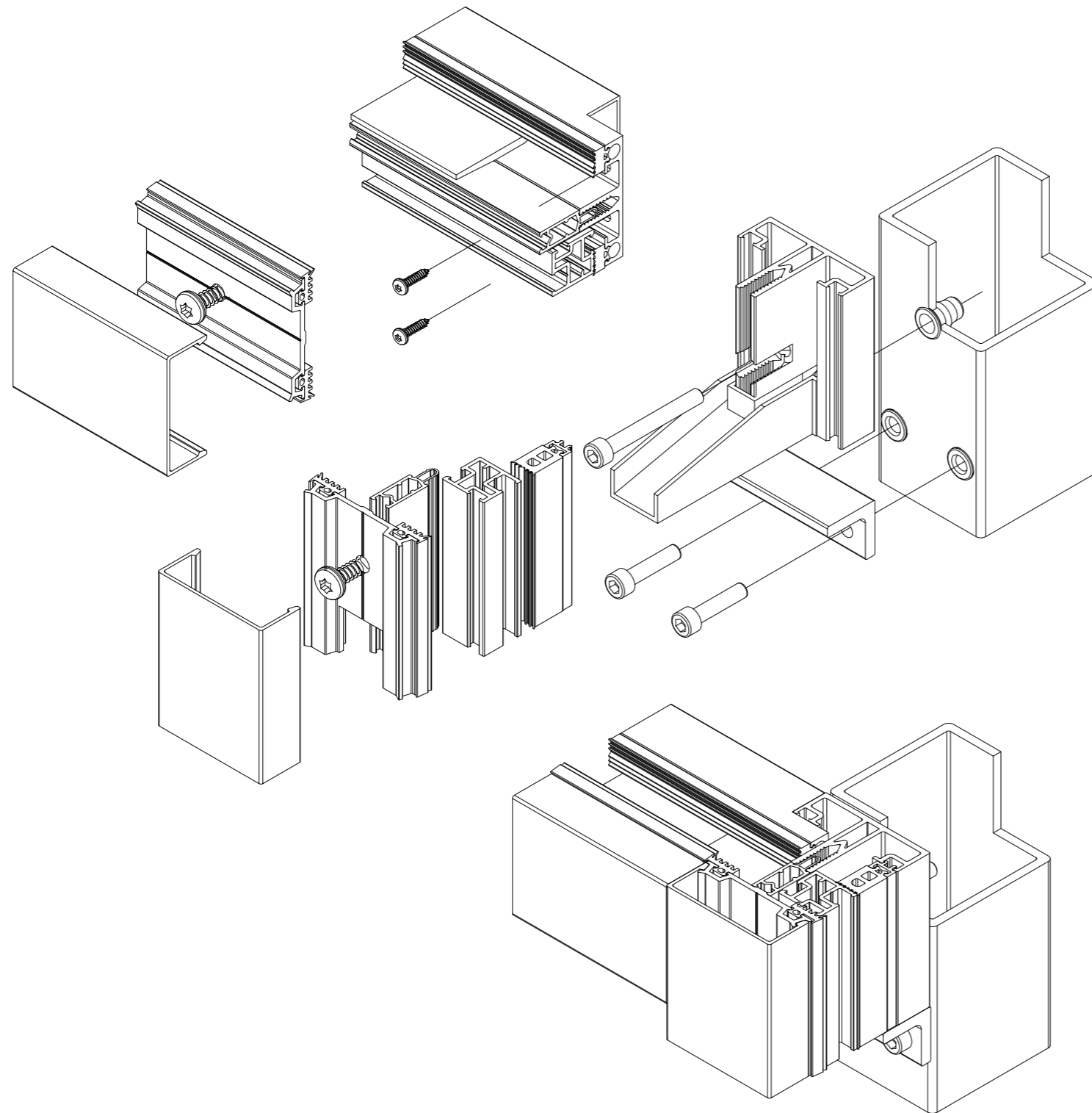


# MC-WALL

ONTWATERING STIJL MET ACMC640  
DRAINAGE MONTANT AVEC ACMC640  
DRAINAGE PFOST MIT ACMC640  
DRAINAGE MULLION WITH ACMC640

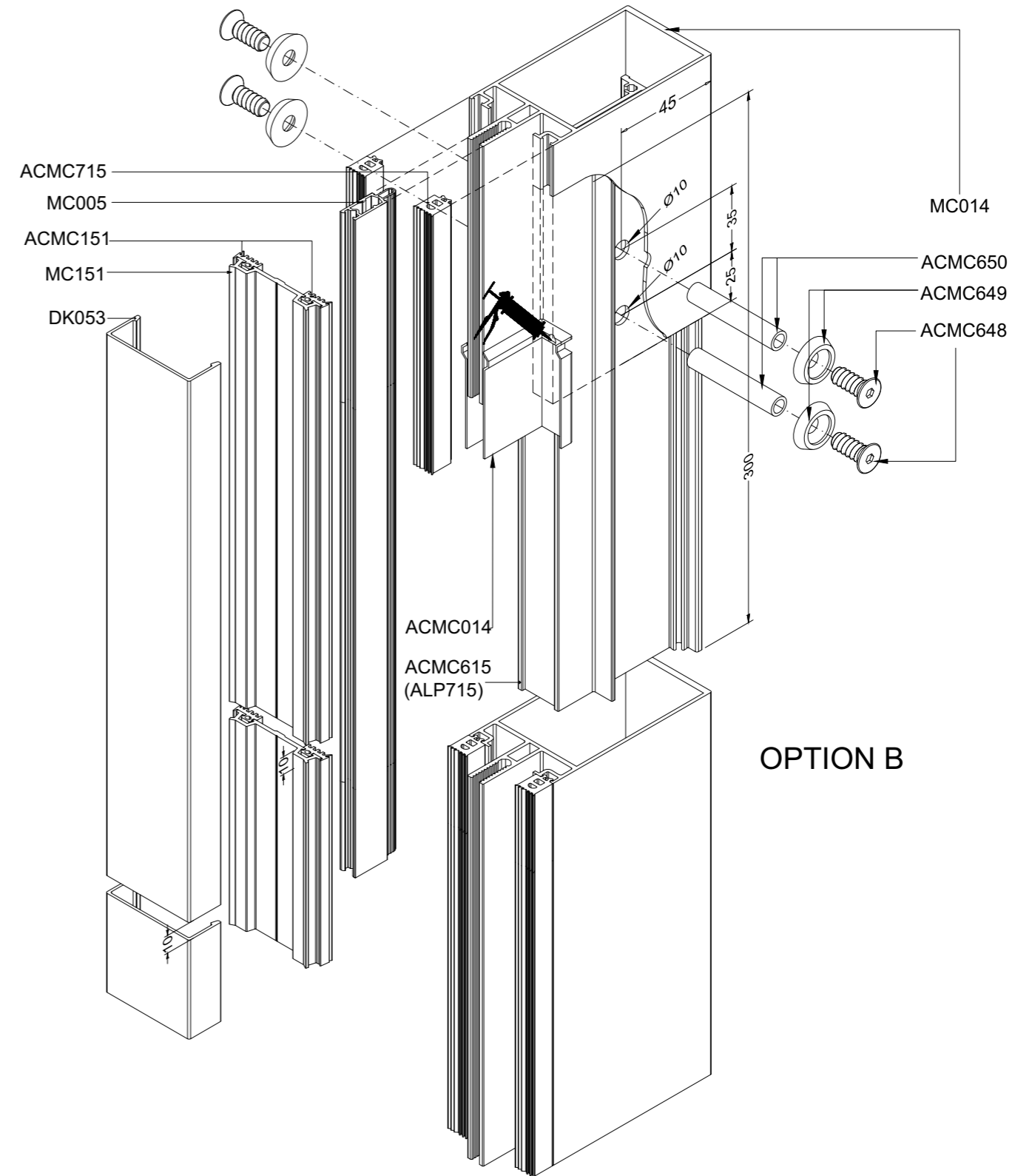
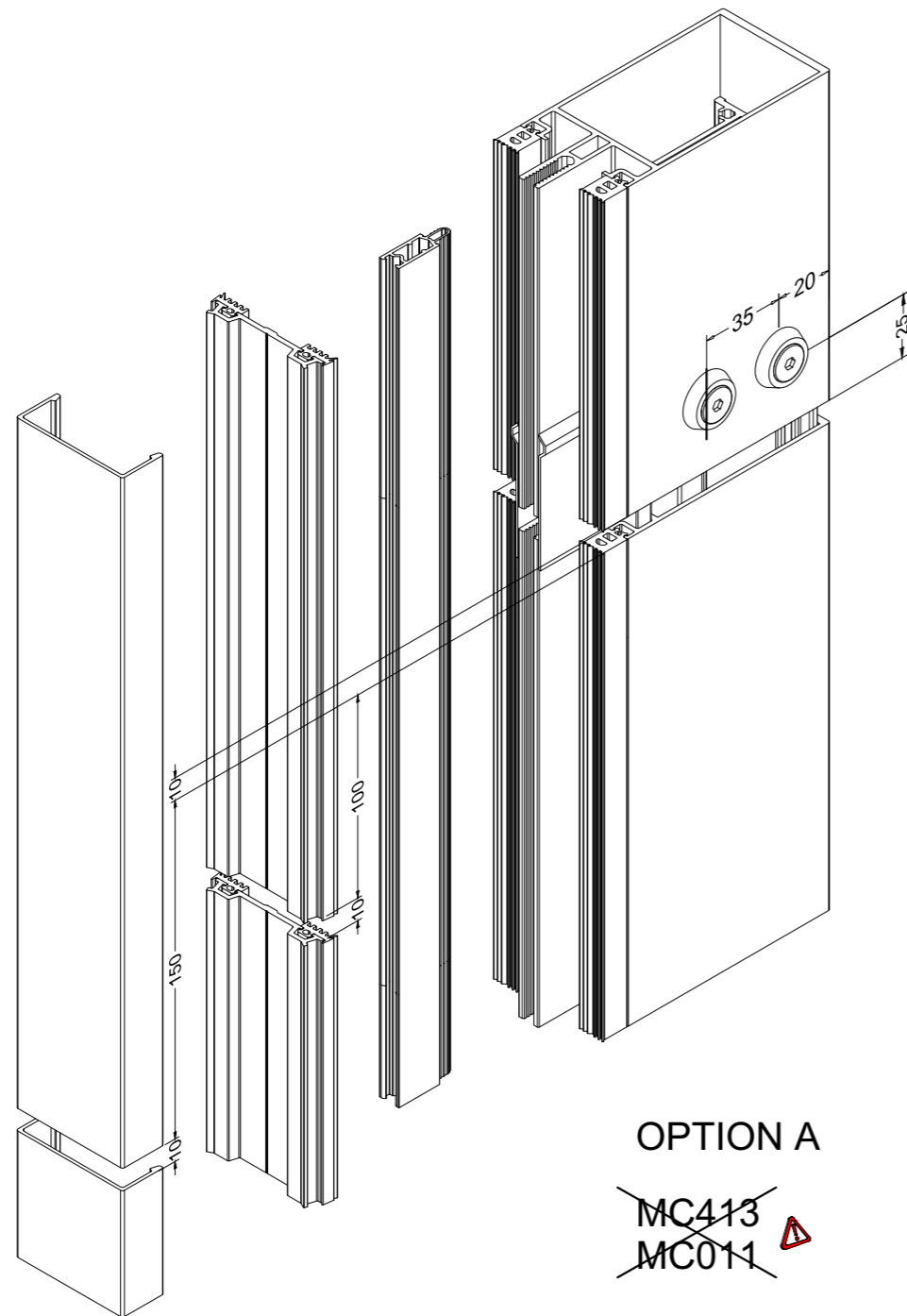


MONTAGE MC410 EN MC510 OP STAALSTRUCTUUR  
 MONTAGE MC410 ET MC510 SUR STRUCTURE EN ACIER  
 BEFESTIGUNG MC410 UND MC510 AUF STAHLSTRUKTUR  
 MOUNTING MC410 AND MC510 ON STEEL STRUCTURE

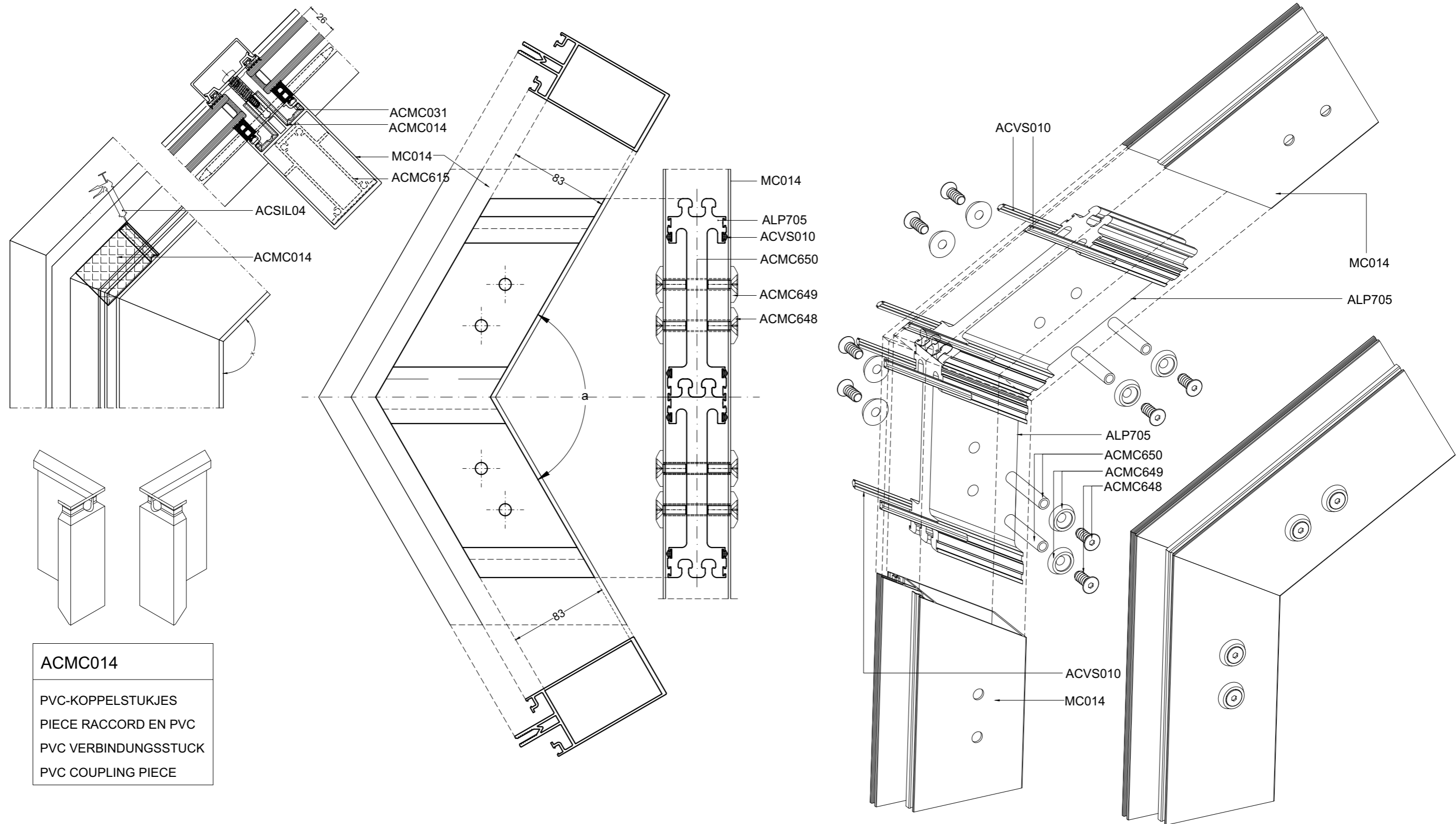


# MC-WALL

KOPPELING STIJLEN  
LIAISON ENTRE MONTANTS  
VERBINDUNG ZWISCHEN PFOSTEN  
CONNECTION MULLIONS



KOPPELING STIJLEN ONDER VARIABLE HOEK  
 LIAISON ENTRE MONTANTS AVEC ANGLE VARIABLE  
 VERBINDUNG ZWISCHEN PFOSTEN MIT VARIABLE ECKE  
 CONNECTION MULLIONS WITH VARIABLE ANGLE



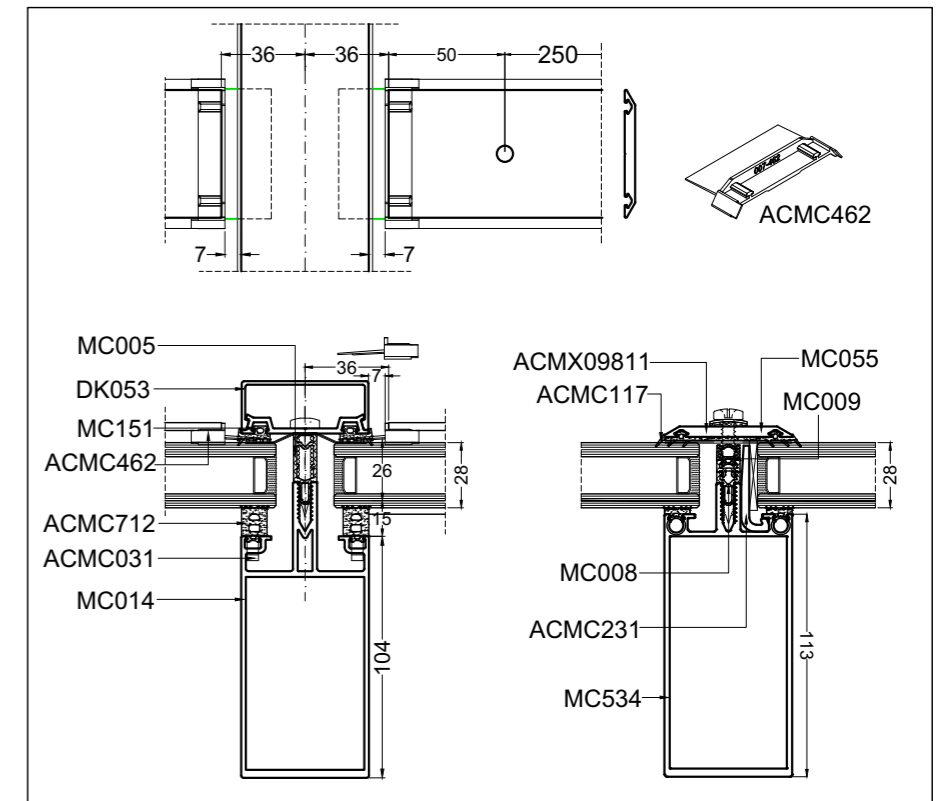
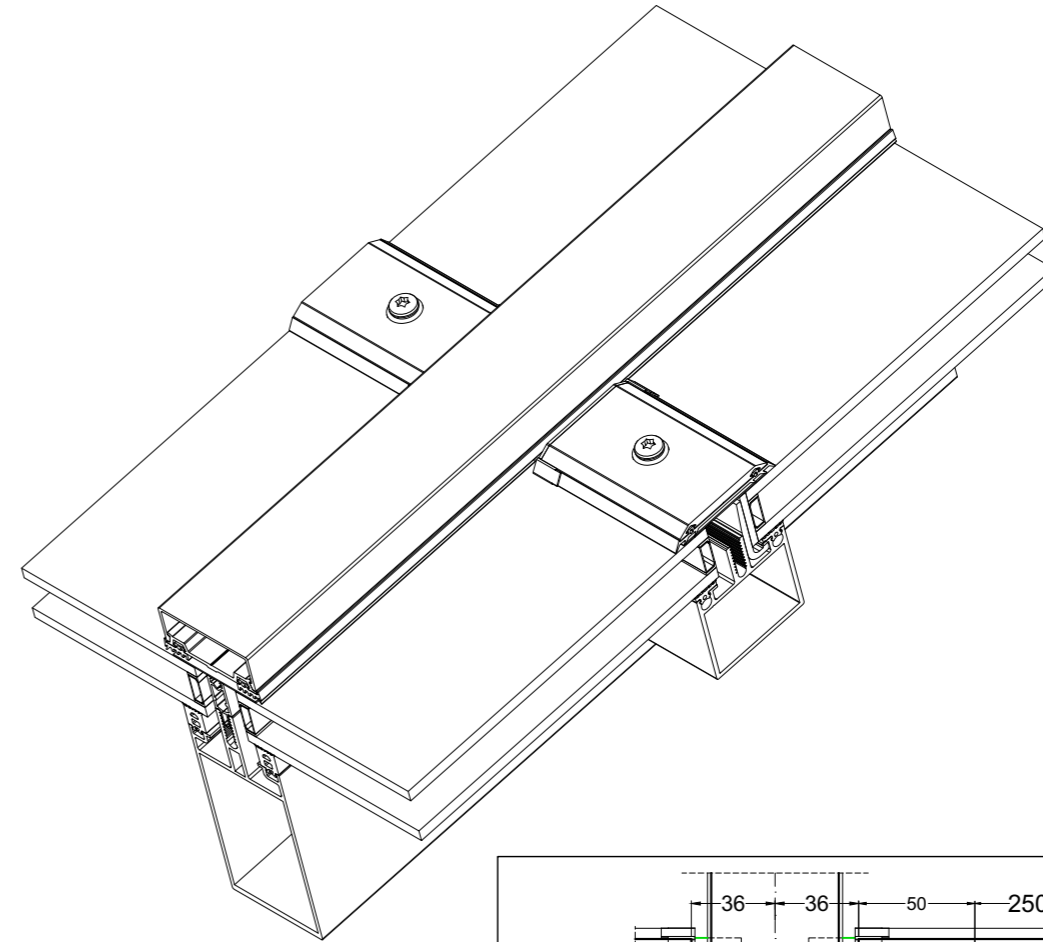
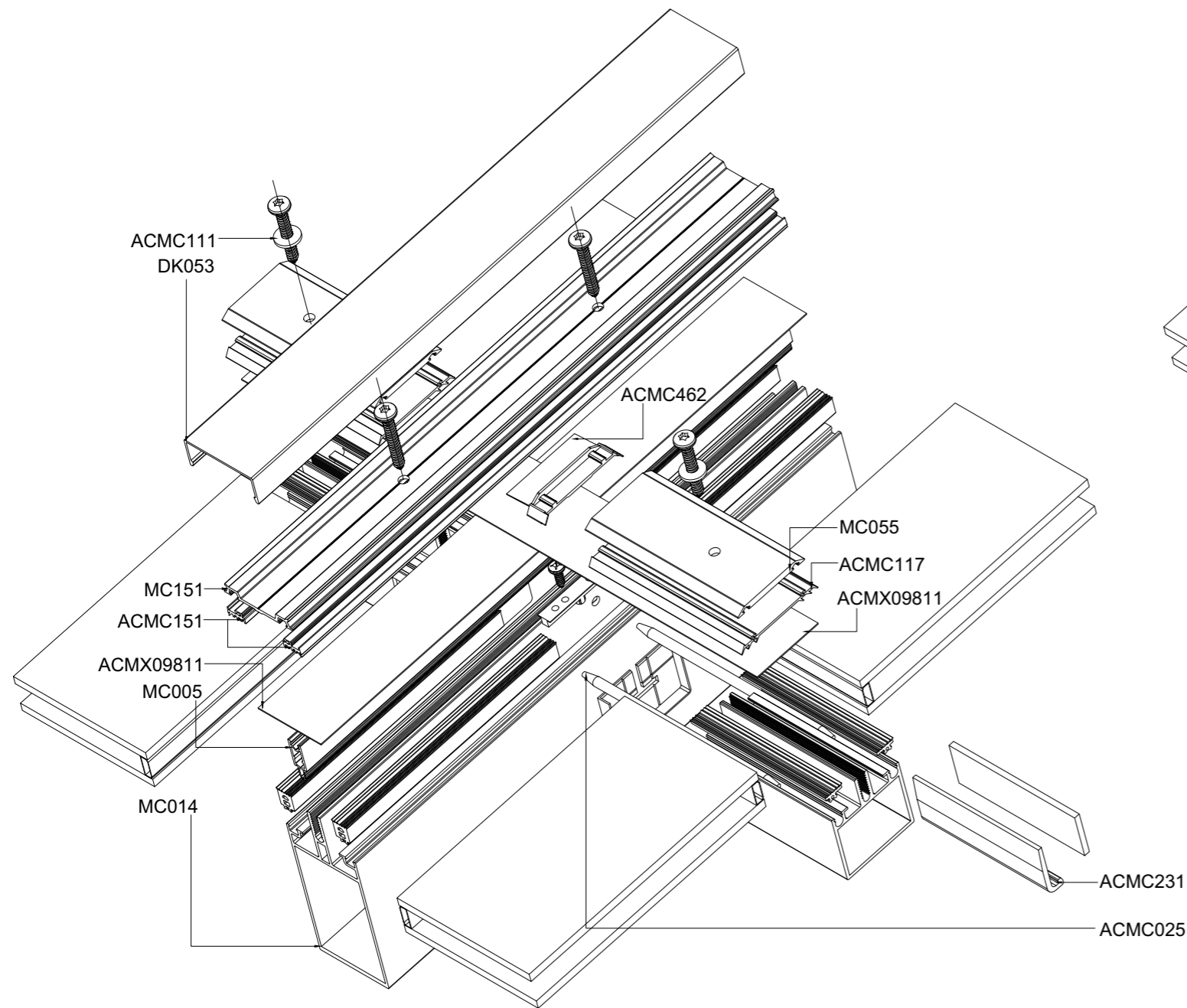
**ACMC014**  
 PVC-KOPPELSTUKJES  
 PIECE RACCORD EN PVC  
 PVC VERBINDUNGSSTUCK  
 PVC COUPLING PIECE

MCF\_21



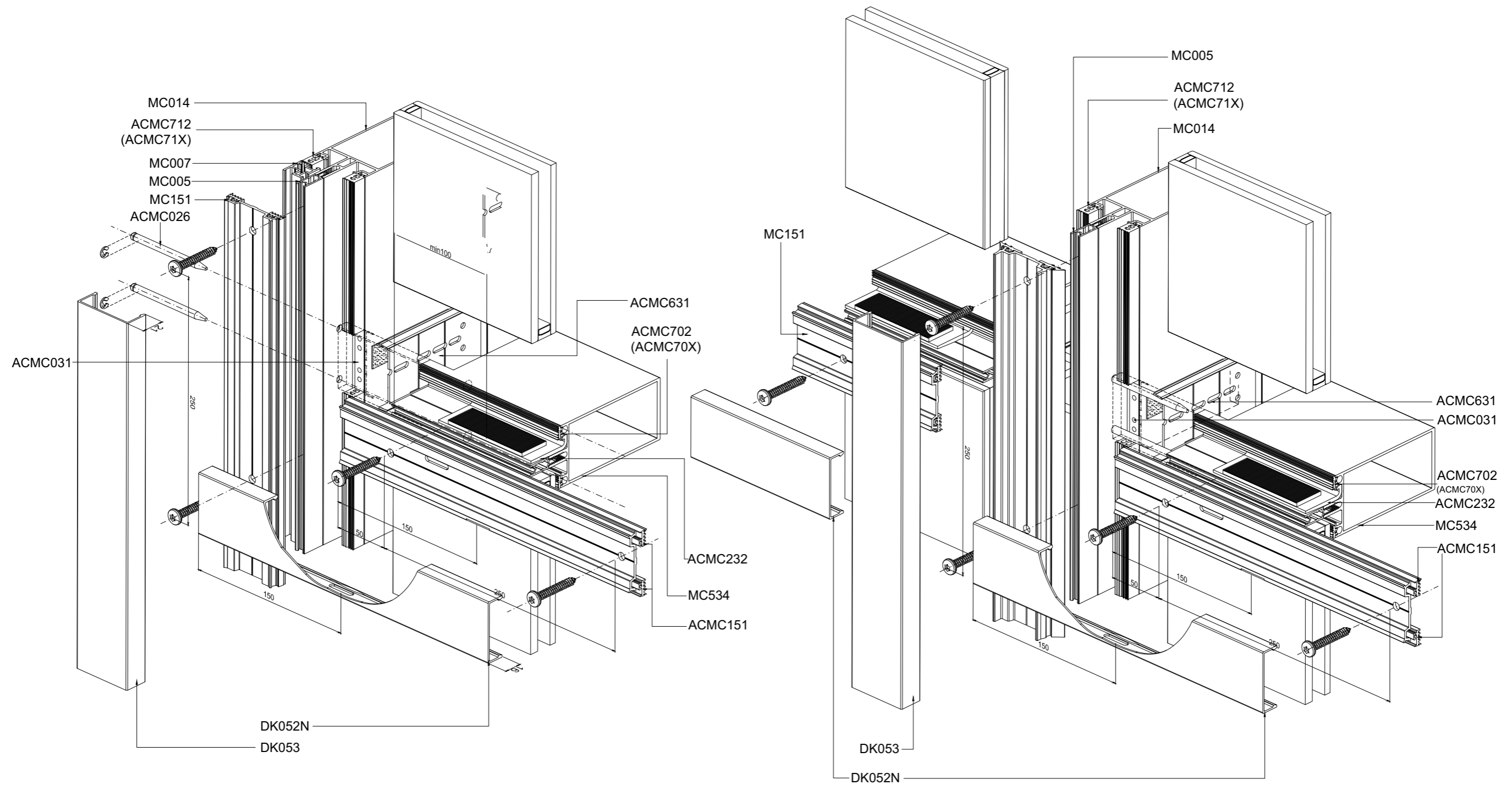
# MC-WALL

VERBINDING TUSSEN STIJL EN REGEL (DAK) TOEPASSING MC055 + ACMC462  
 CONNECTION ENTRE MONTANT ET TRAVERSE (TOIT) MC055 + ACMC462  
 VERBINDUNG ZWISCHEN PFOST UND RIEGEL (DACH) MC055 + ACMC462  
 CONNECTION BETWEEN MULLION AND TRANSOM (ROOF) MC055 + ACMC462





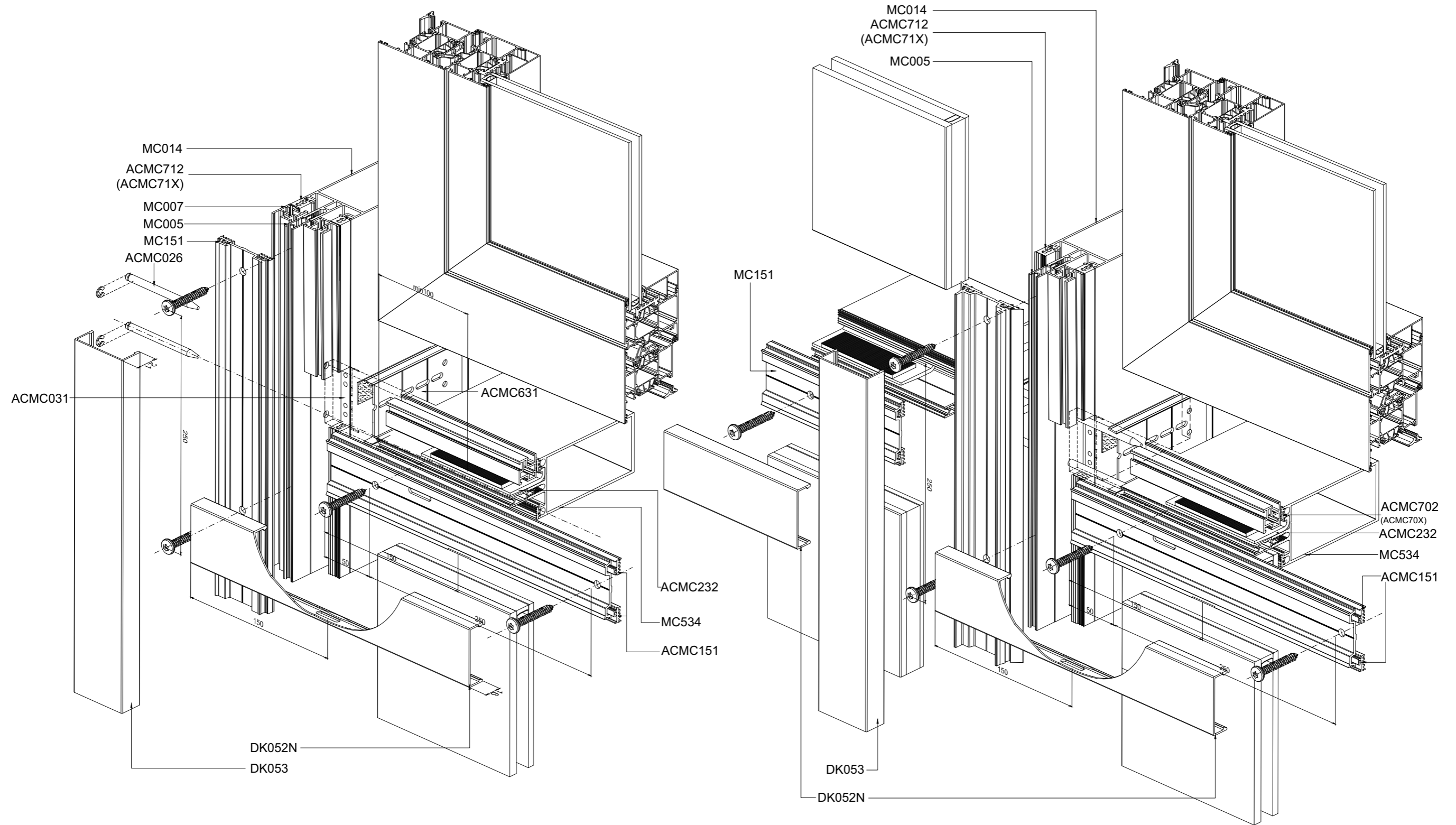
VERBINDING STIJLEN EN REGELS  
 CONNECTION MONTANTS ET TRAVERSES  
 VERBINDUNG PFOSTEN UND RIEGEL  
 CONNECTION MULLIONS AND TRANSOMS



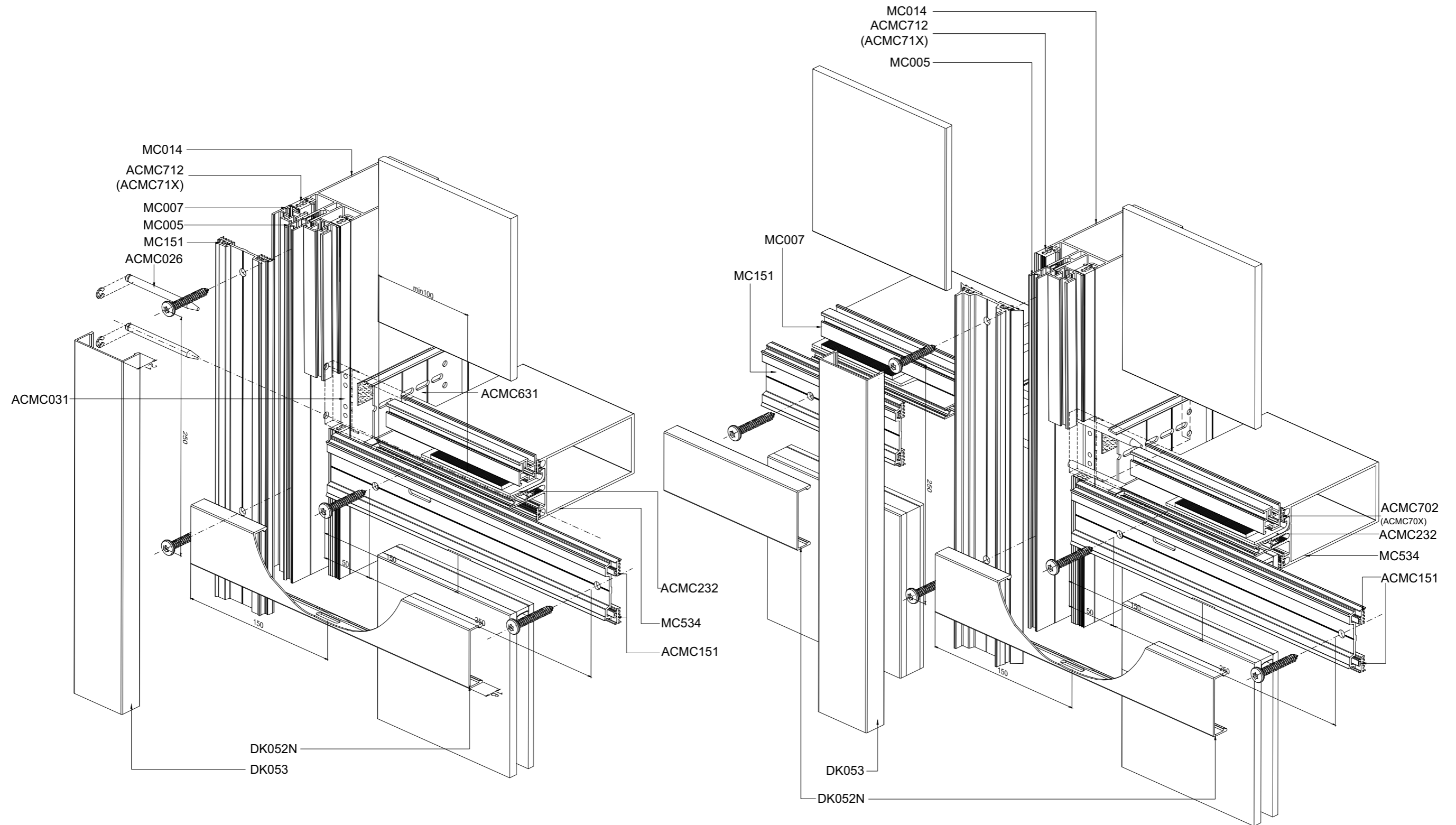
WERKTEKENINGEN - DESSINS DE CONSTRUCTION - KONSTRUKTIONZEICHNUNGEN - CONSTRUCTION DRAWINGS

# MC-WALL

VERBINDING STIJLEN EN REGELS EN STAR75 RAAM  
 CONNECTION MONTANTS ET TRAVERSES ET FENETRE STAR75  
 VERBINDUNG PFOSTEN UND RIEGEL UND STAR75 FENSTER  
 CONNECTION MULLIONS AND TRANSOMS AND STAR75 WINDOW



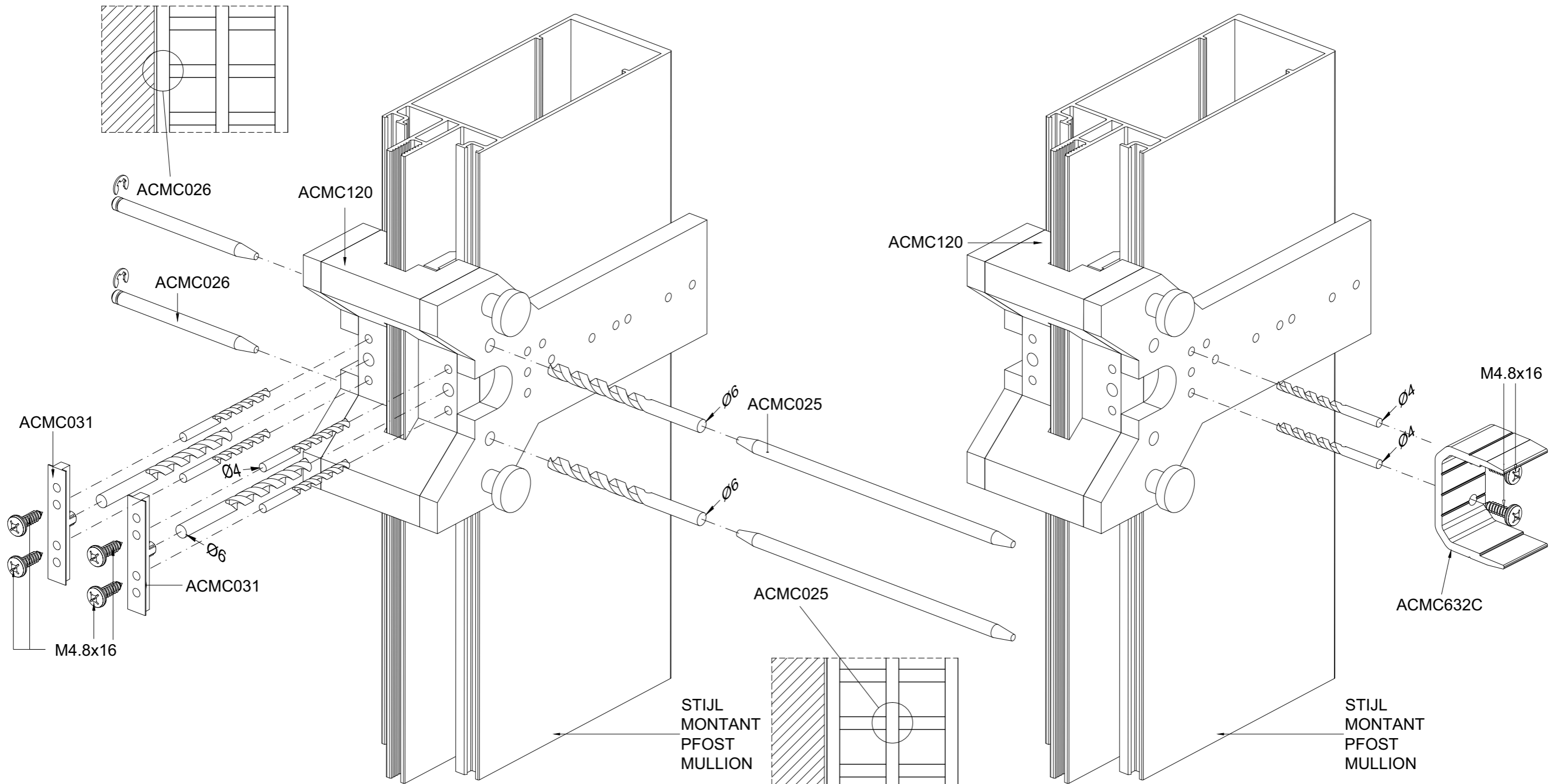
VERBINDING STIJLEN EN REGELS - ENKEL EN DUBBEL GLAS  
 CONNECTION MONTANTS ET TRAVERSES - VITRAGE SIMPLE ET DOUBLE  
 VERBINDUNG PFOSTEN UND RIEGEL EINZEL UND DOPPEL GLASS  
 CONNECTION MULLIONS AND TRANSOMS - SINGLE AND DOUBLE GLASS



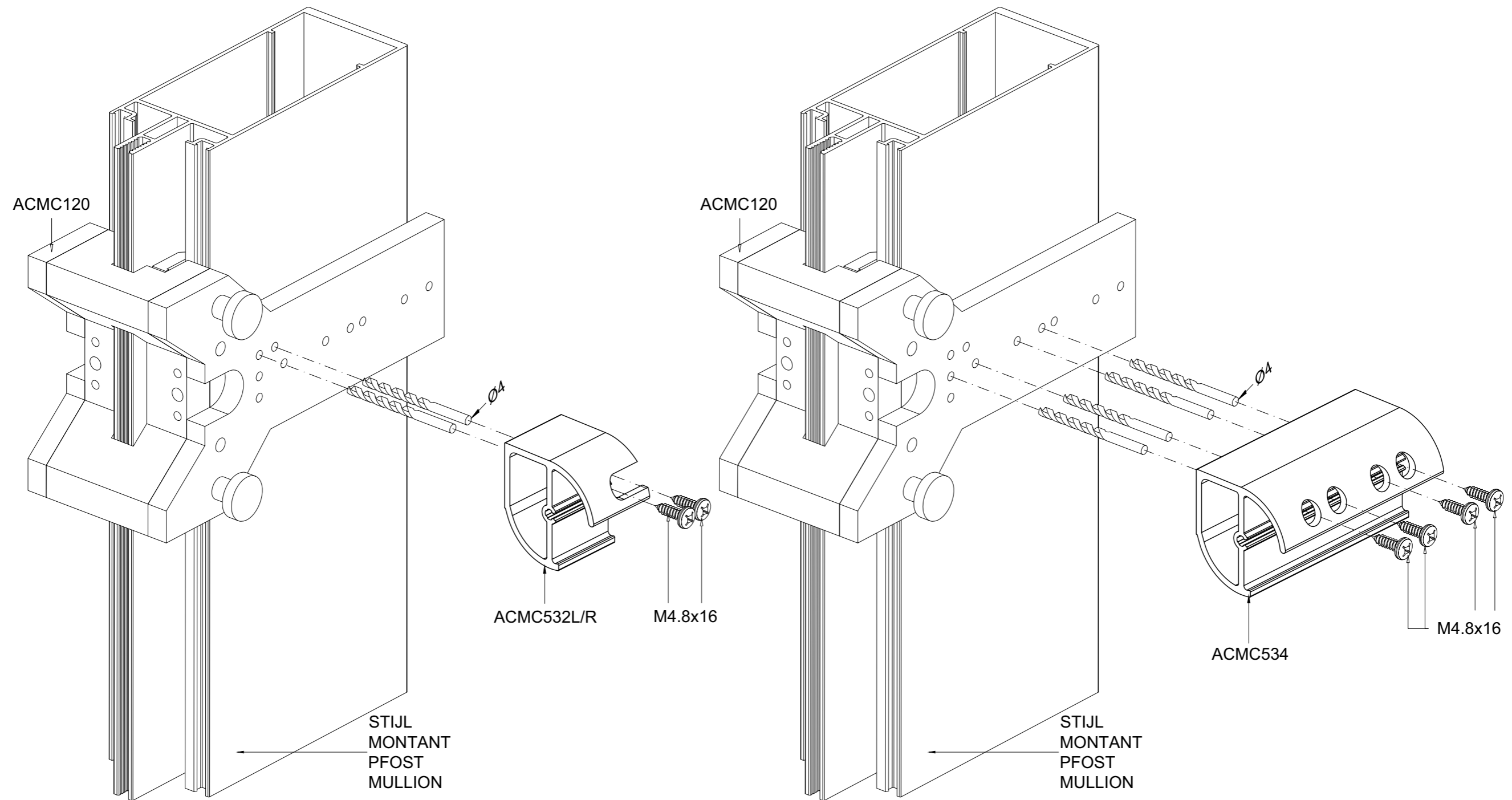
WERKTEKENINGEN - DESSINS DE CONSTRUCTION - KONSTRUKTIONZEICHNUNGEN - CONSTRUCTION DRAWINGS

# MC-WALL

GEBRUIK BOORMAL ACMC120  
UTILISATION GABARIT ACMC120  
VERWENDUNG BOHRSCHABLONE ACMC120  
USE DRILLING JIG ACMC120



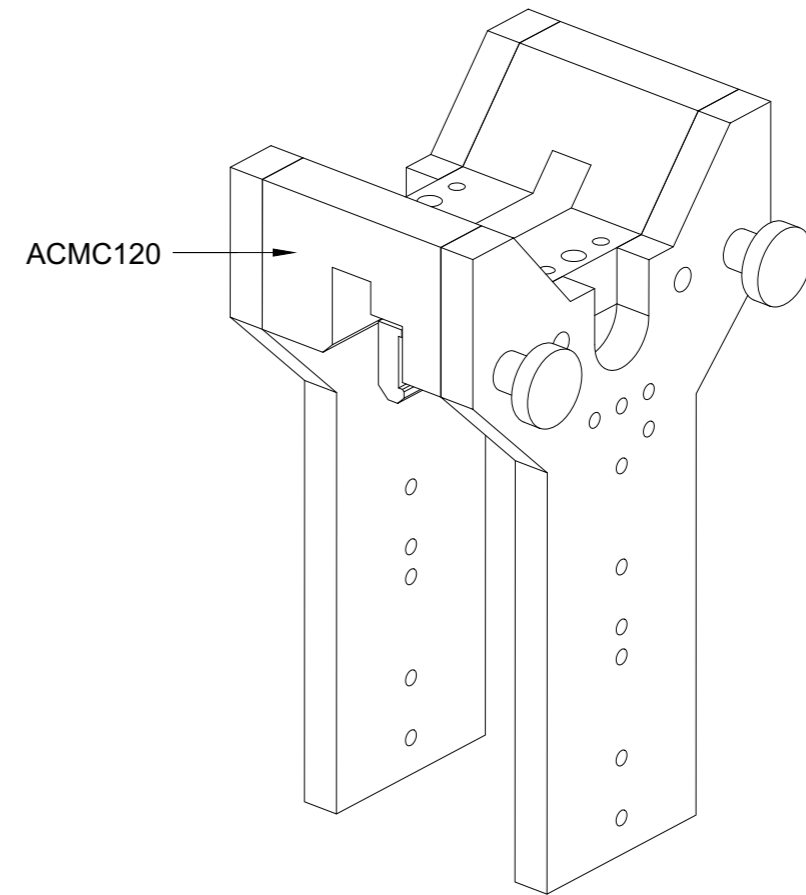
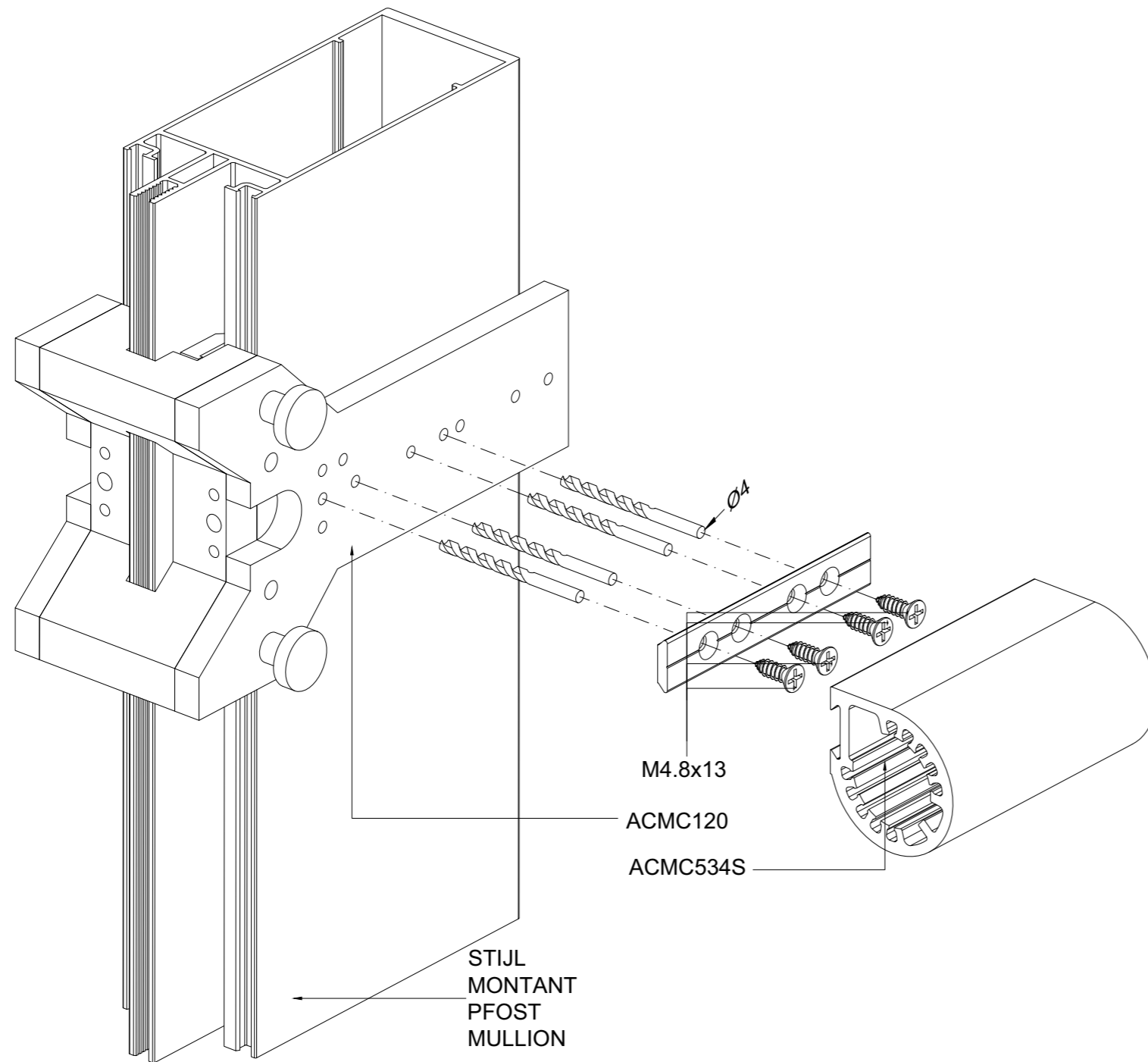
GEBRUIK BOORMAL ACMC120  
UTILISATION GABARIT ACMC120  
VERWENDUNG BOHRSCABLONE ACMC120  
USE DRILLING JIG ACMC120



MCF\_27

# MC-WALL

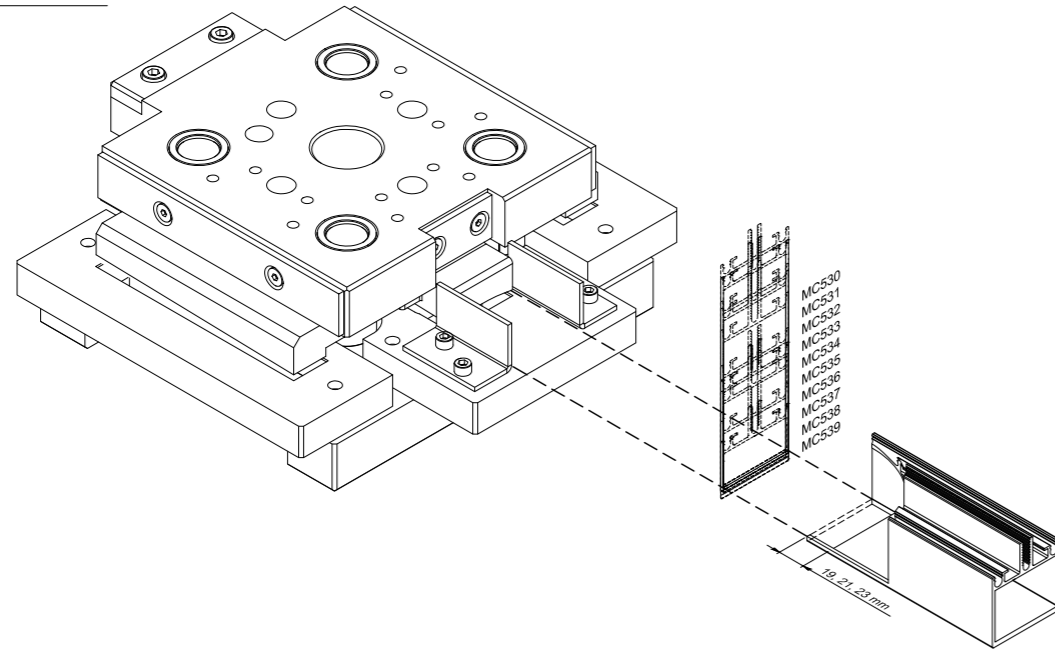
GEBRUIK BOORMAL ACMC120  
UTILISATION GABARIT ACMC120  
VERWENDUNG BOHRSCHABLONE ACMC120  
USE DRILLING JIGG ACMC120



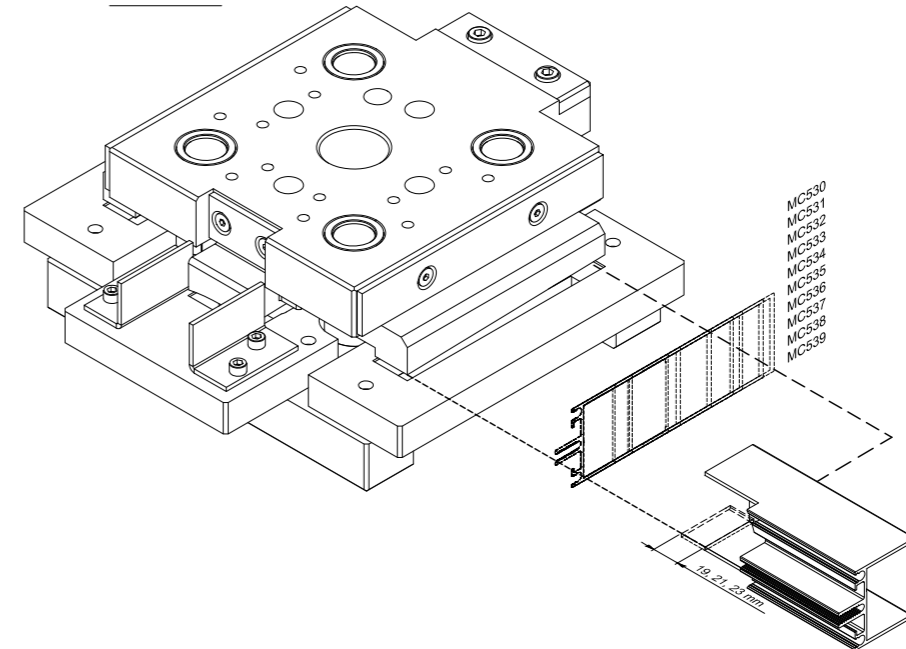
GEBRUIK KAPMATRIJS ACMC1014  
 UTILISATION POINCONNEUSE ACMC1014  
 VERWENDUNG STANZWERKZEUG ACMC1014  
 USE PUNCH TOOL ACMC1014

## ACMC1014

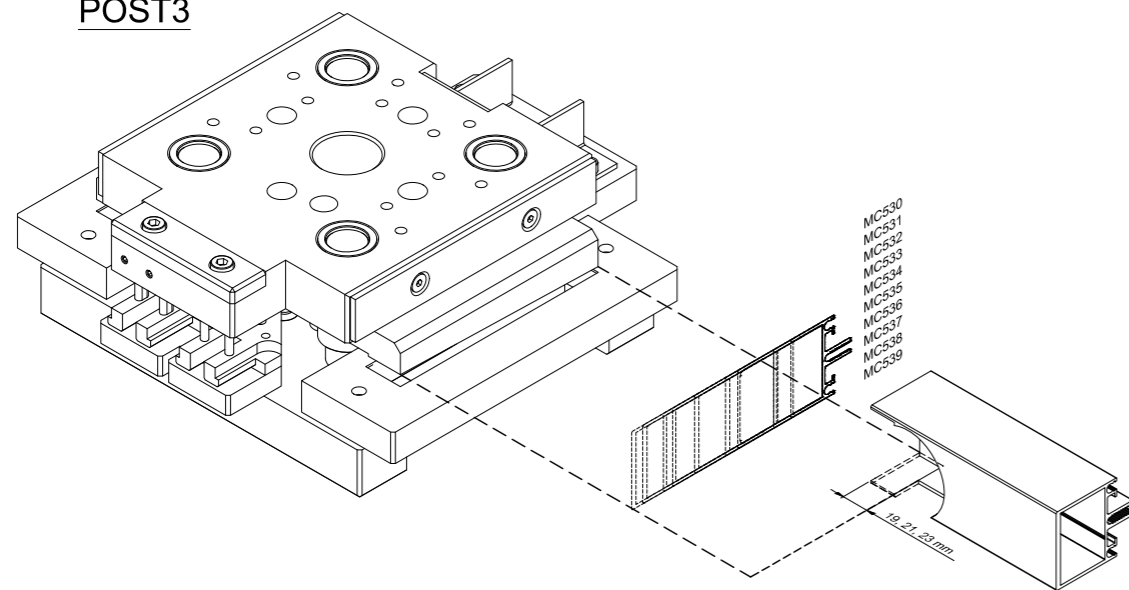
POST1



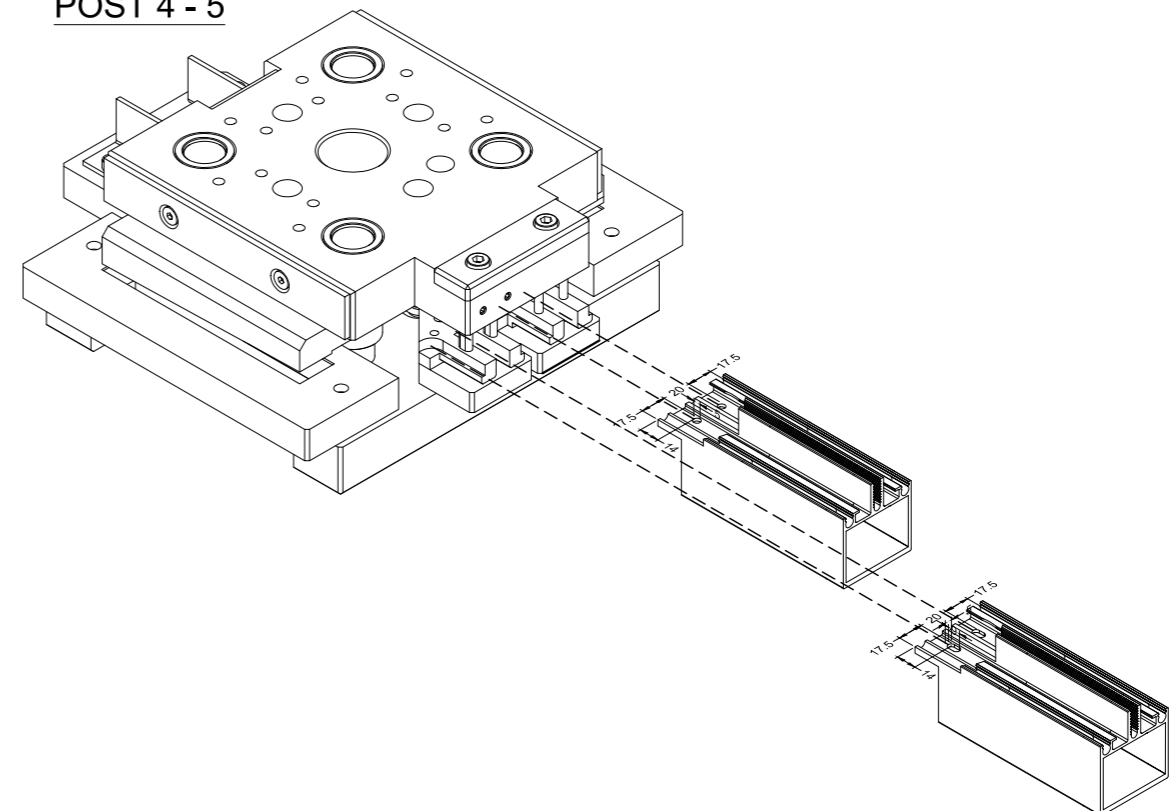
POST2



POST3



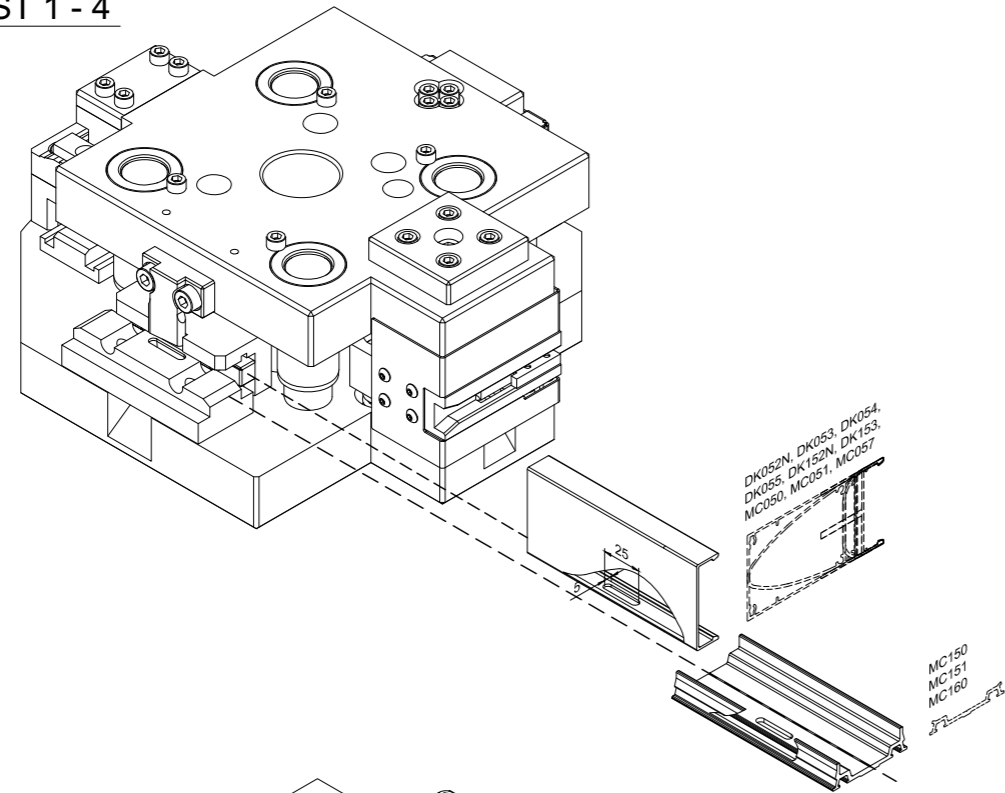
POST 4 - 5



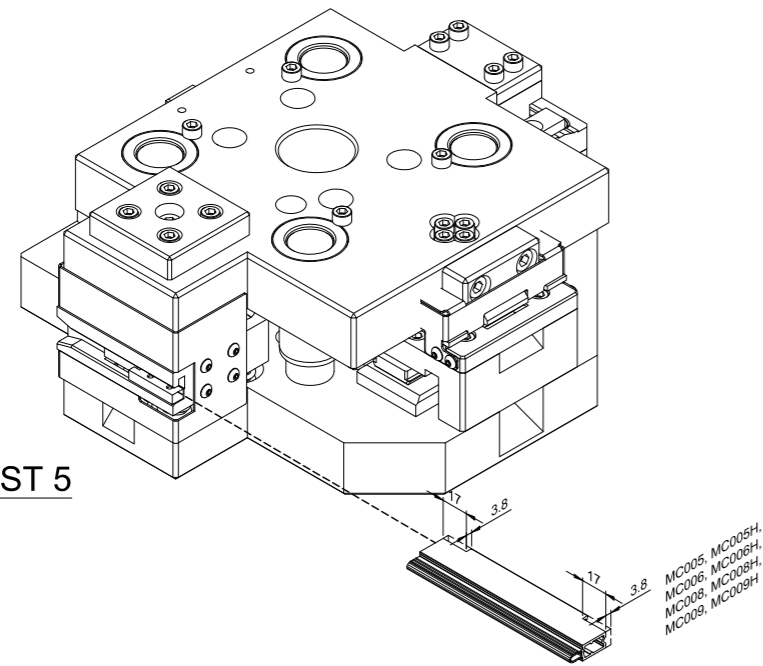
# MC-WALL

GEBRUIK KAPMATRIJS ACMC1015  
 UTILISATION POINCONNEUSE ACMC1015  
 VERWENDUNG STANZWERKZEUG ACMC1015  
 USE PUNCH TOOL ACMC1015

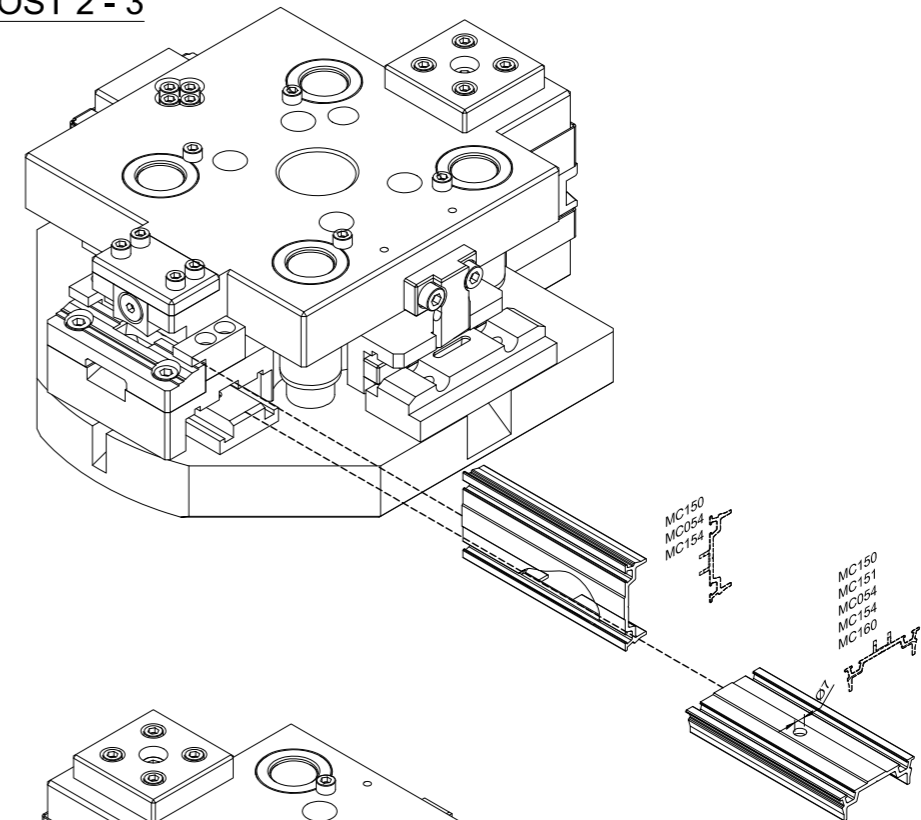
POST 1 - 4



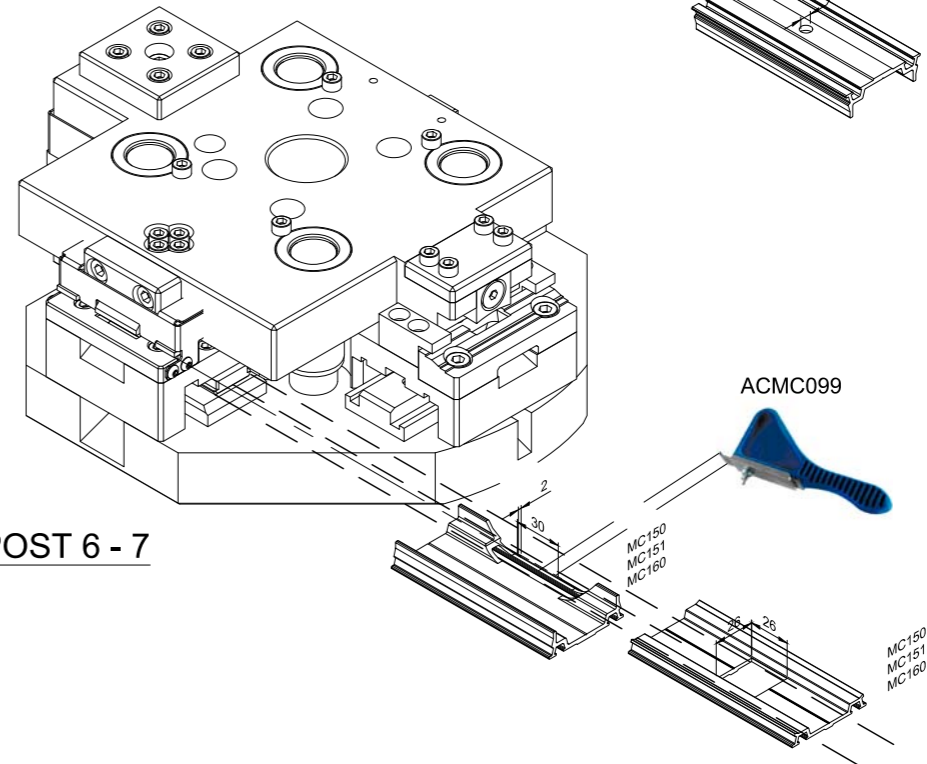
POST 5



POST 2 - 3

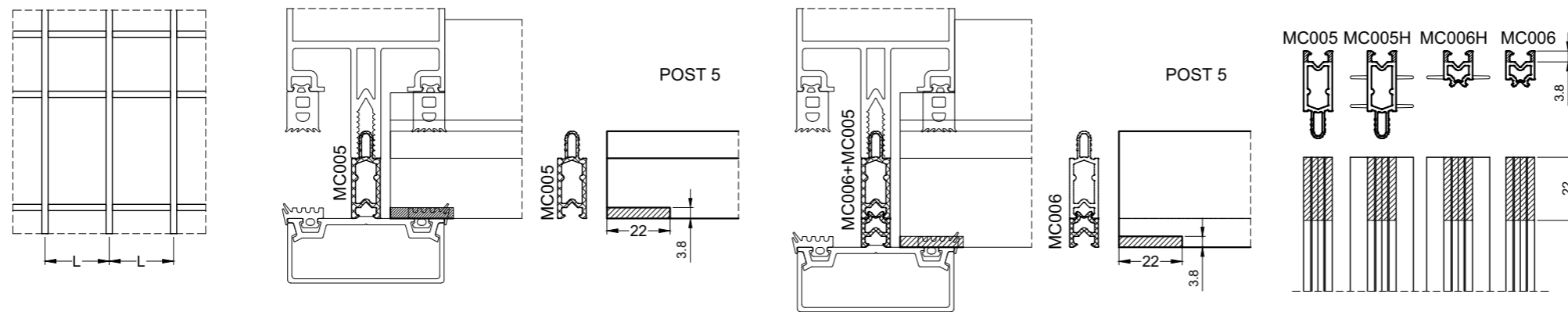
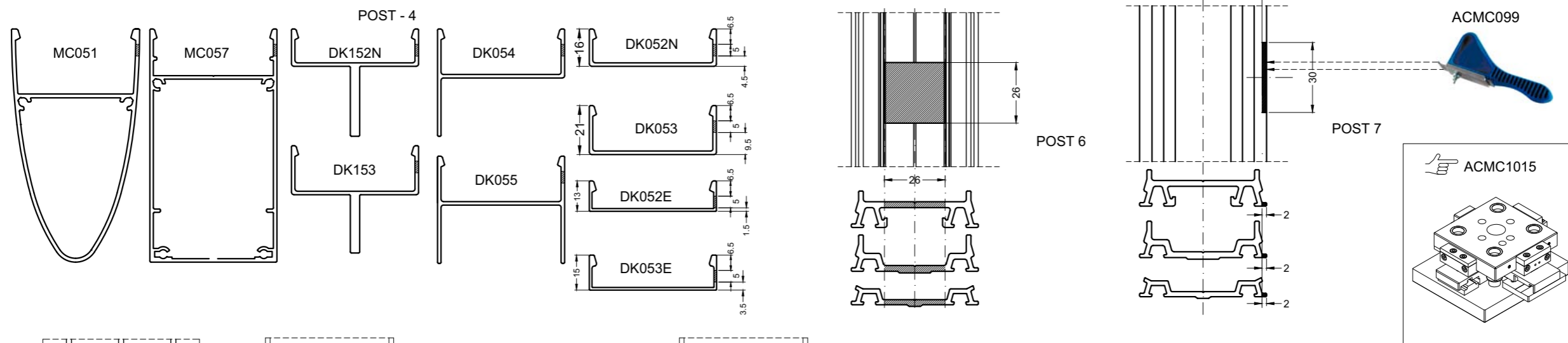
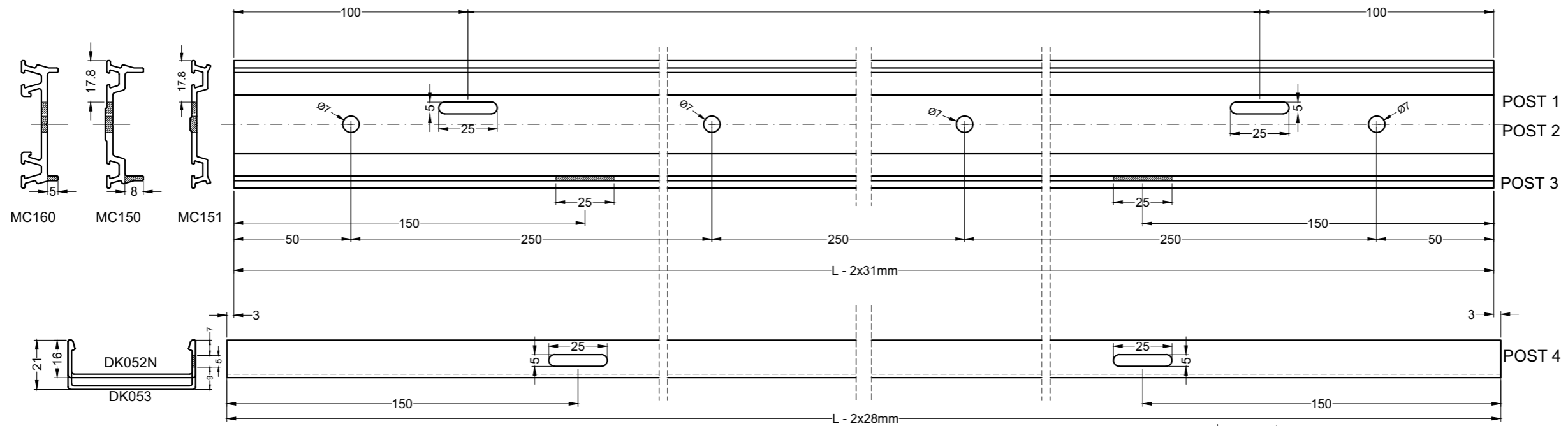


POST 6 - 7





FREZINGEN KLEMLATTEN EN DEKLATTEN  
 FRAISAGE PROFILS DE SUPPORT ET PROFILS COUVERTURE  
 FRASEN TRAGER UND ABDECKPROFILN  
 MILLING PRESSURE PLATES AND COVERPROFILES



Frezen thermische onderbreking regels  
 Fraisage profil thermique sur traverses  
 Fräsen Thermische Trennung auf Riegeln  
 Milling thermal profile on transoms



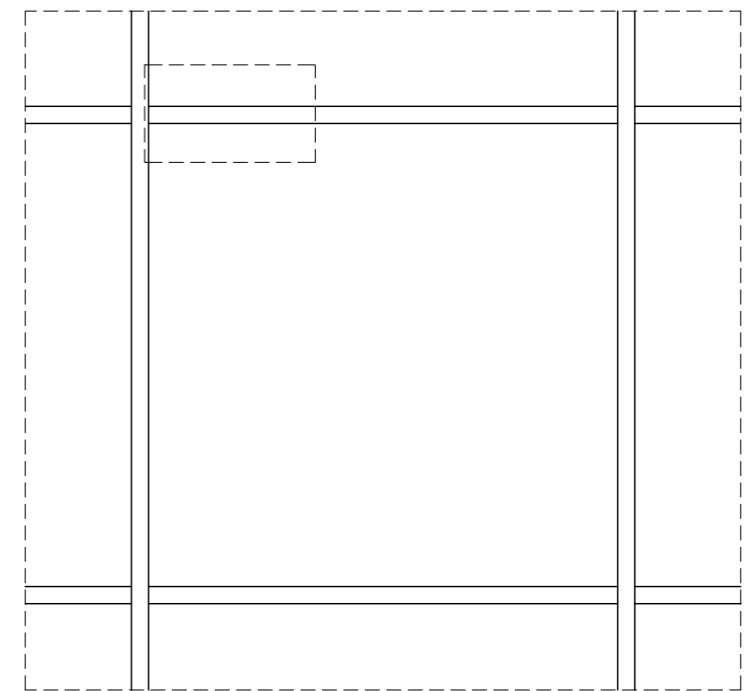
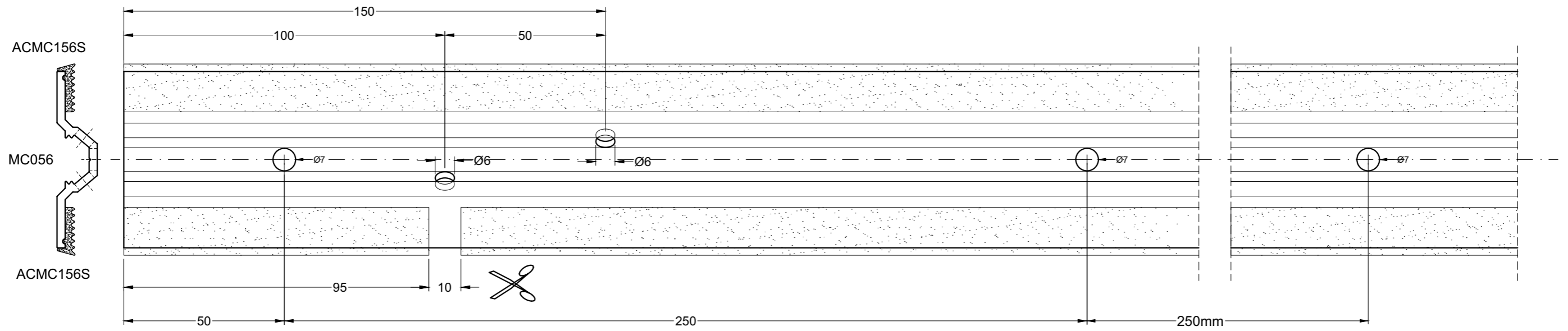
# MC-WALL

FREZINGEN KLEMLAT MC056

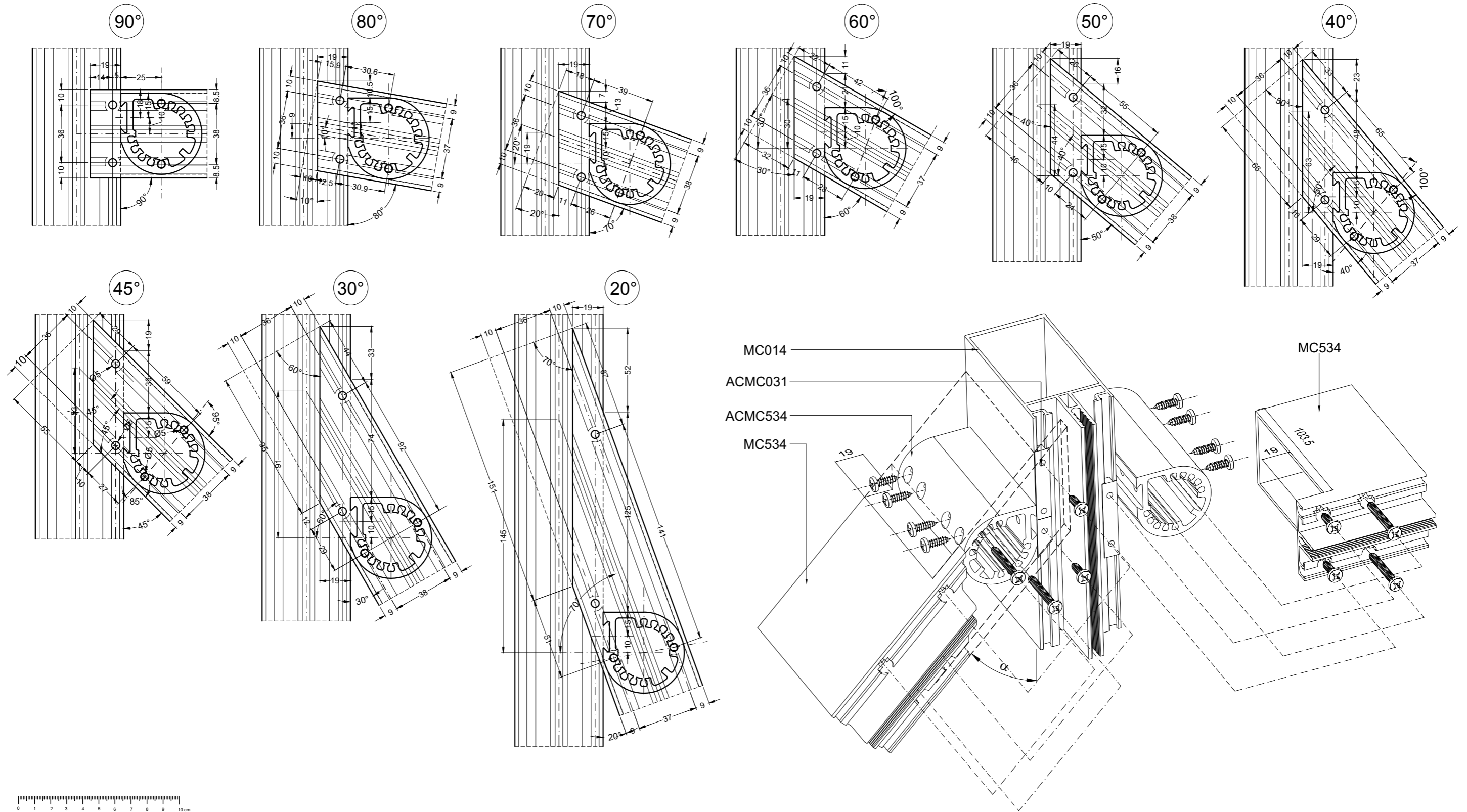
FRAISAGE PROFIL DE SUPPORT MC056

FRASEN TRAGER MC056

MILLING PRESSURE PLATE MC056



BEVESTIGING MET VERBINDINGSTUK ONDER HOEK  
 CONNECTION AVEC PIECE DE JONCTION SUR ANGLE  
 BEFESTIGUNG MIT VERSTELBARE VERBINDUNG  
 CONNECTIONS WITH ADJUSTABLE BRACKET

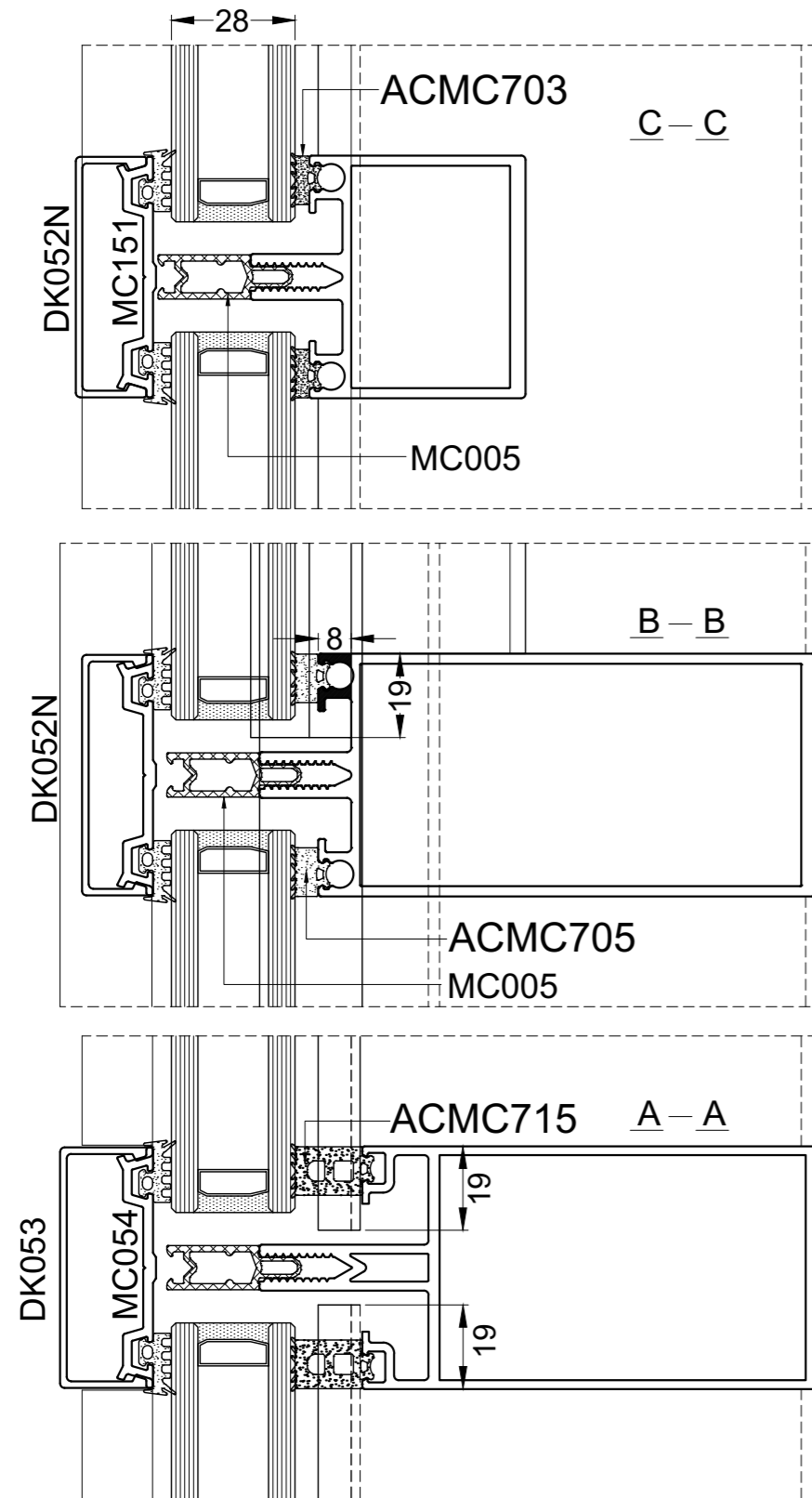


MCF\_33



# MC-WALL

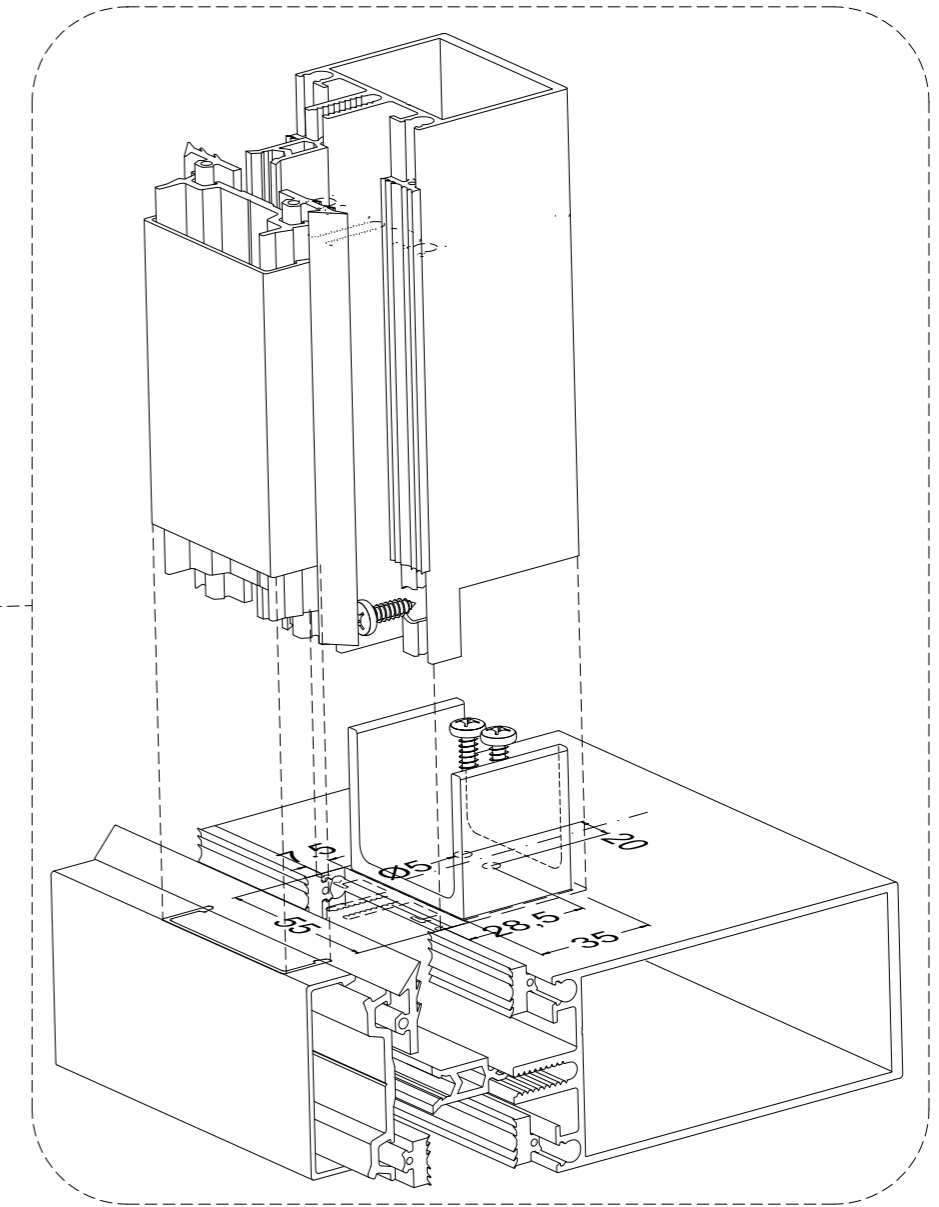
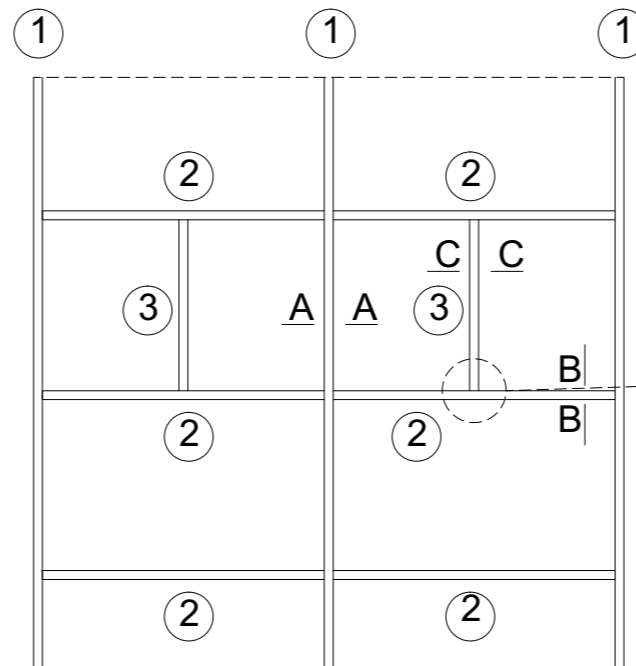
VERBINDING REGEL - REGEL (AFWATERING)  
 CONNECTION TRAVERSE - TRAVERSE (DRAINAGE)  
 VERBINDUNG RIEGEL - RIEGEL (DRAINAGE)  
 CONNECTION TRANSOM - TRANSOM (DRAINAGE)



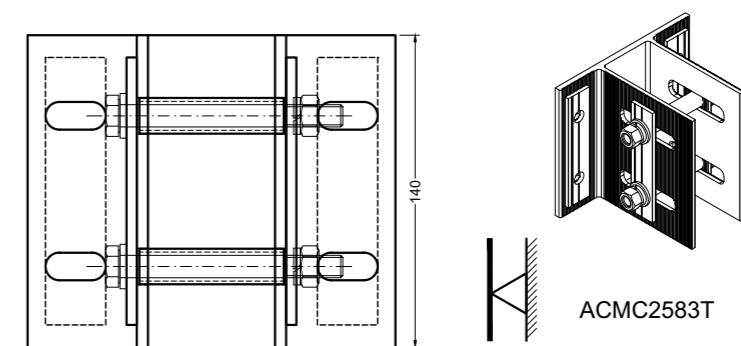
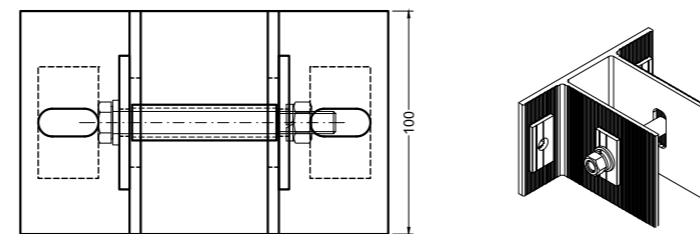
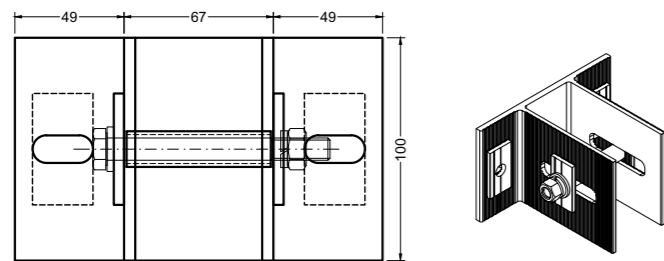
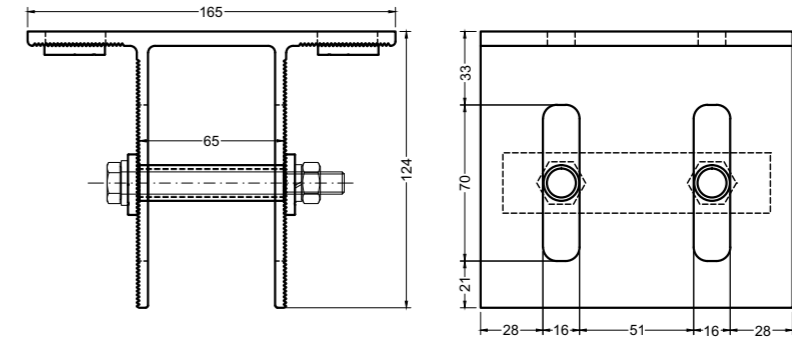
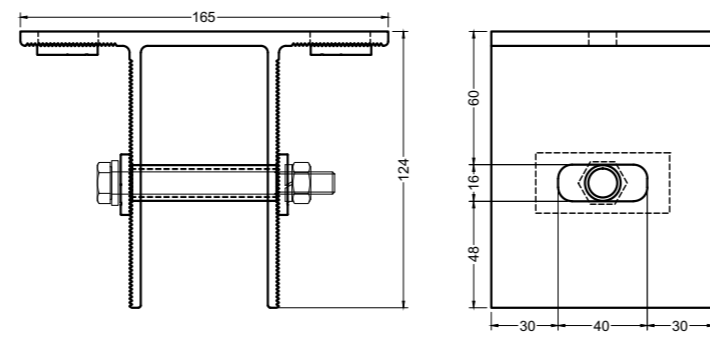
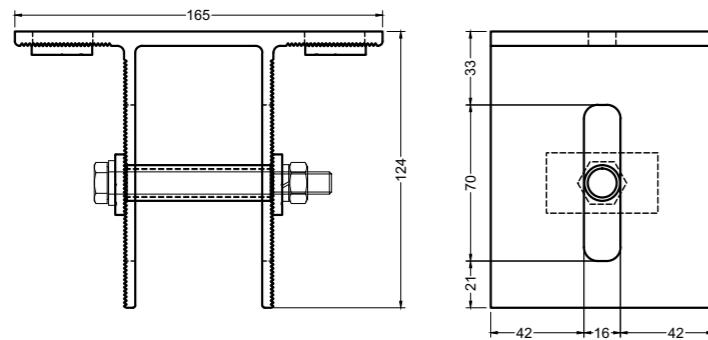
3

2

1



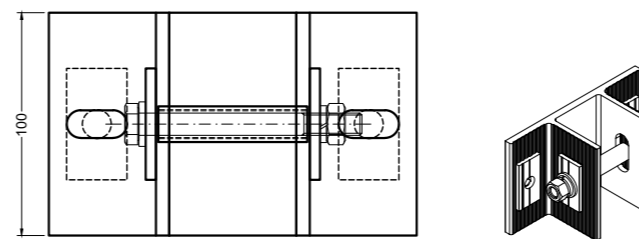
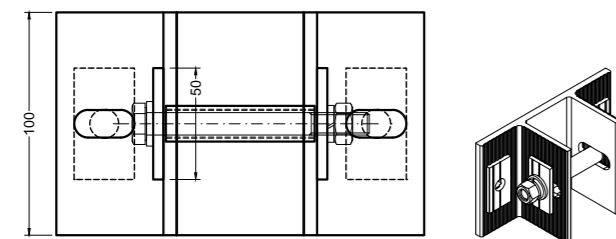
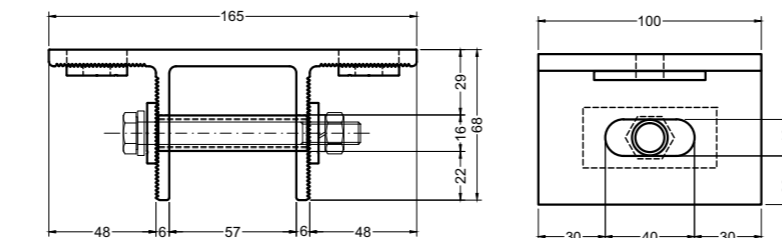
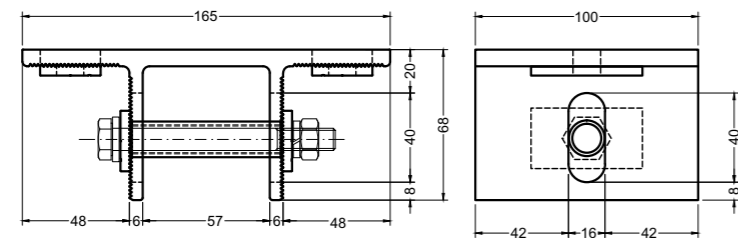
ALUMINIUM BEVESTIGINGEN VOOR STIJLEN  
 FIXATIONS ALUMINIUM POUR MONTANTS  
 ALUMINIUM BEFESTIGUNGEN FÜR PFOSTEN  
 ALUMINIUM BRACKETS FOR MULLIONS



ACMC2581T

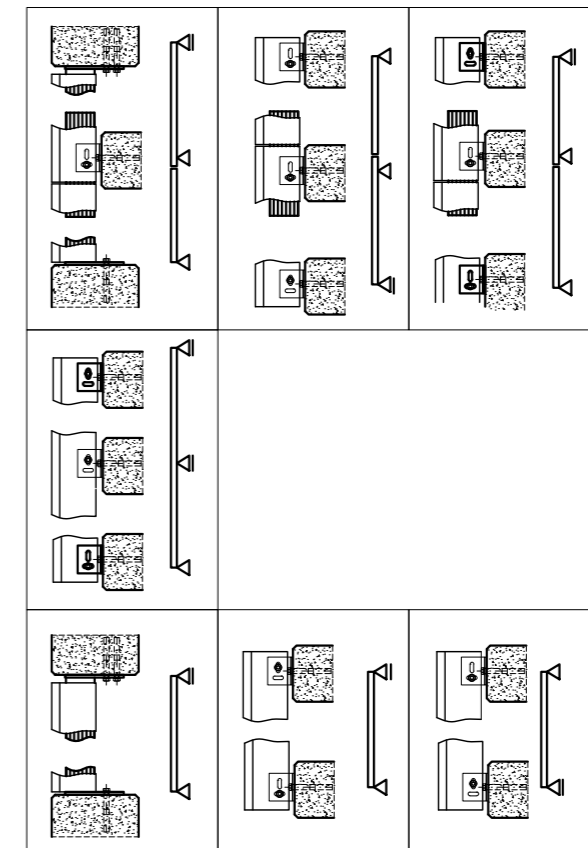
ACMC2582T

ACMC2583T



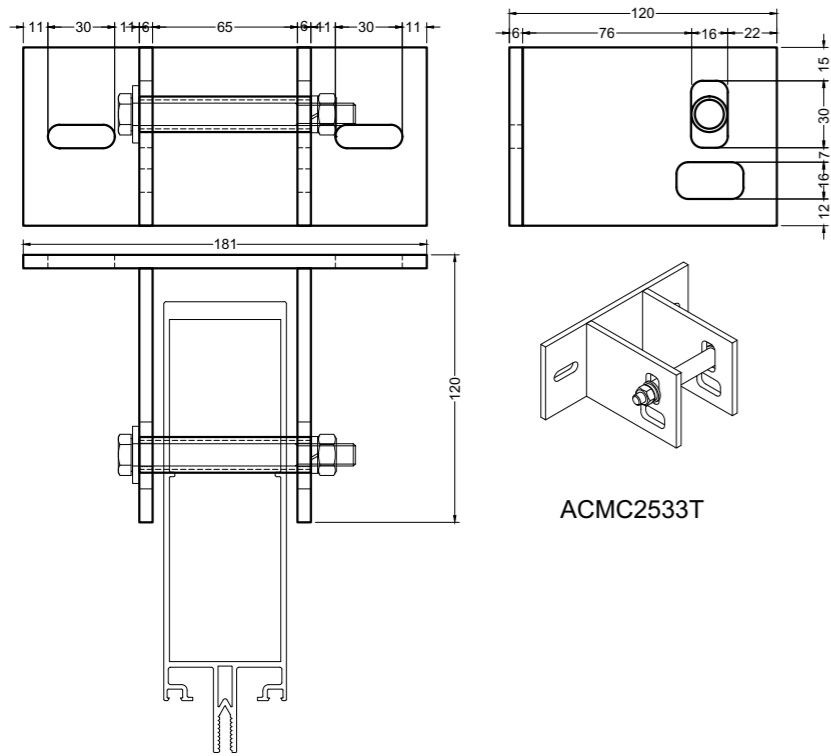
ACMC2561T

ACMC2562T

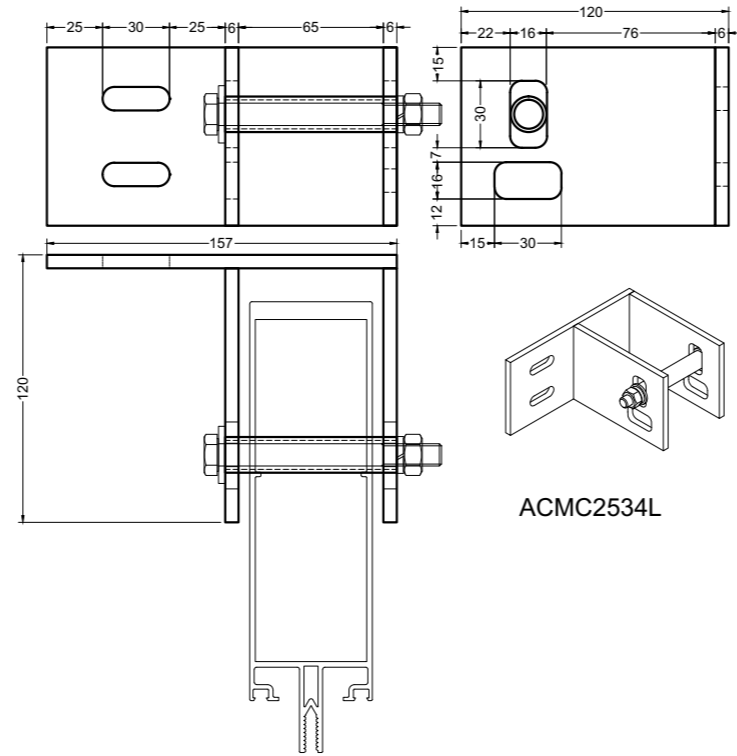


# MC-WALL

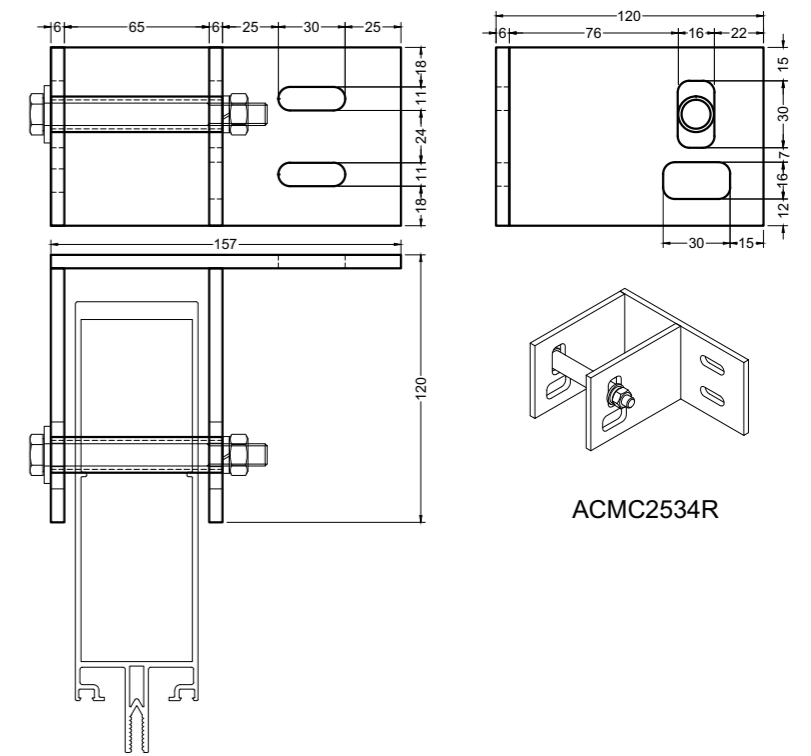
STALEN BEVESTIGINGEN VOOR STIJLEN  
 FIXATIONS ACIER POUR MONTANTS  
 STAHL BEFESTIGUNGEN FÜR PFOSTEN  
 STEEL BRACKETS FOR MULLIONS



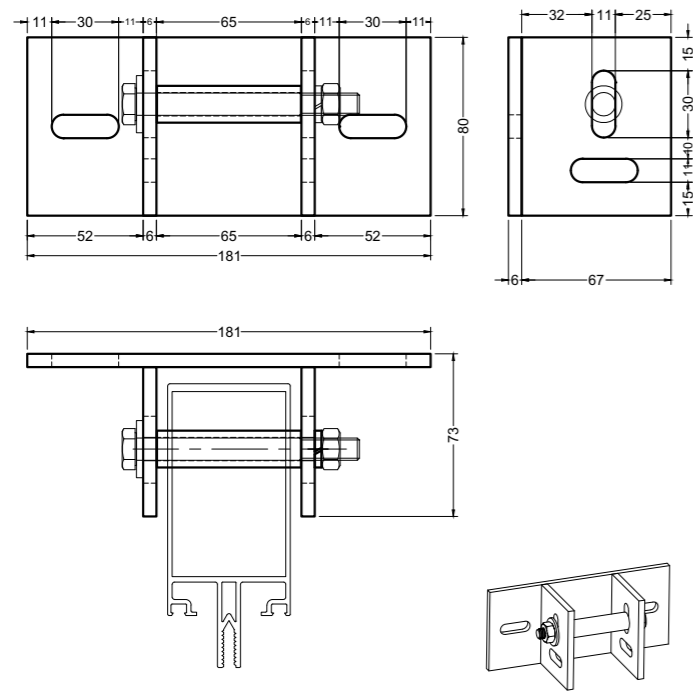
ACMC2533T



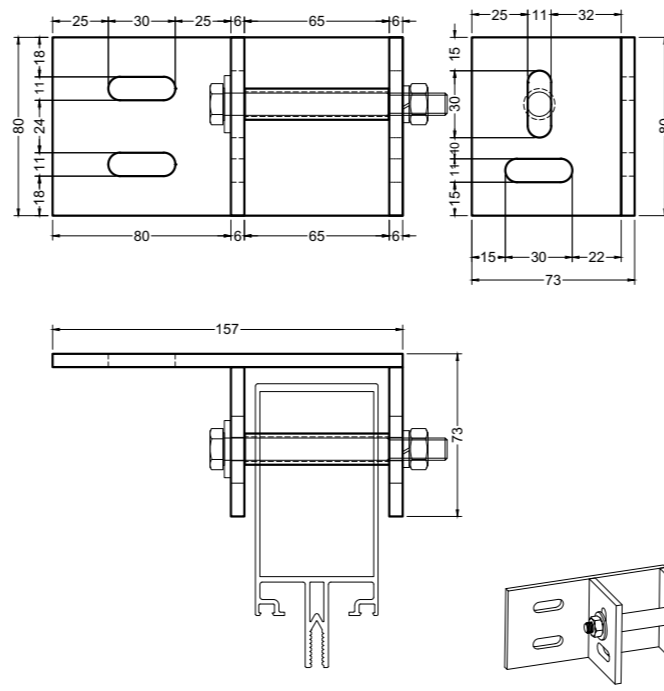
ACMC2534L



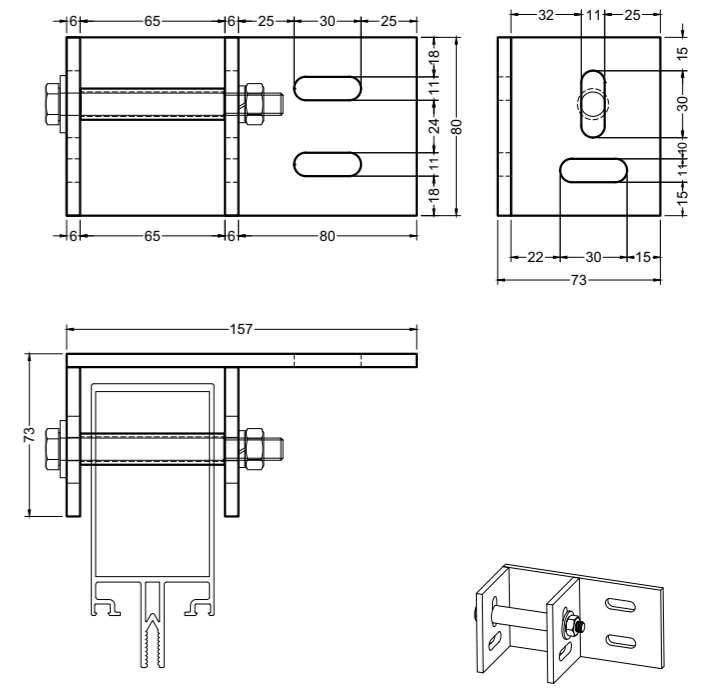
ACMC2534R



ACMC2530



ACMC2531L



ACMC2531R





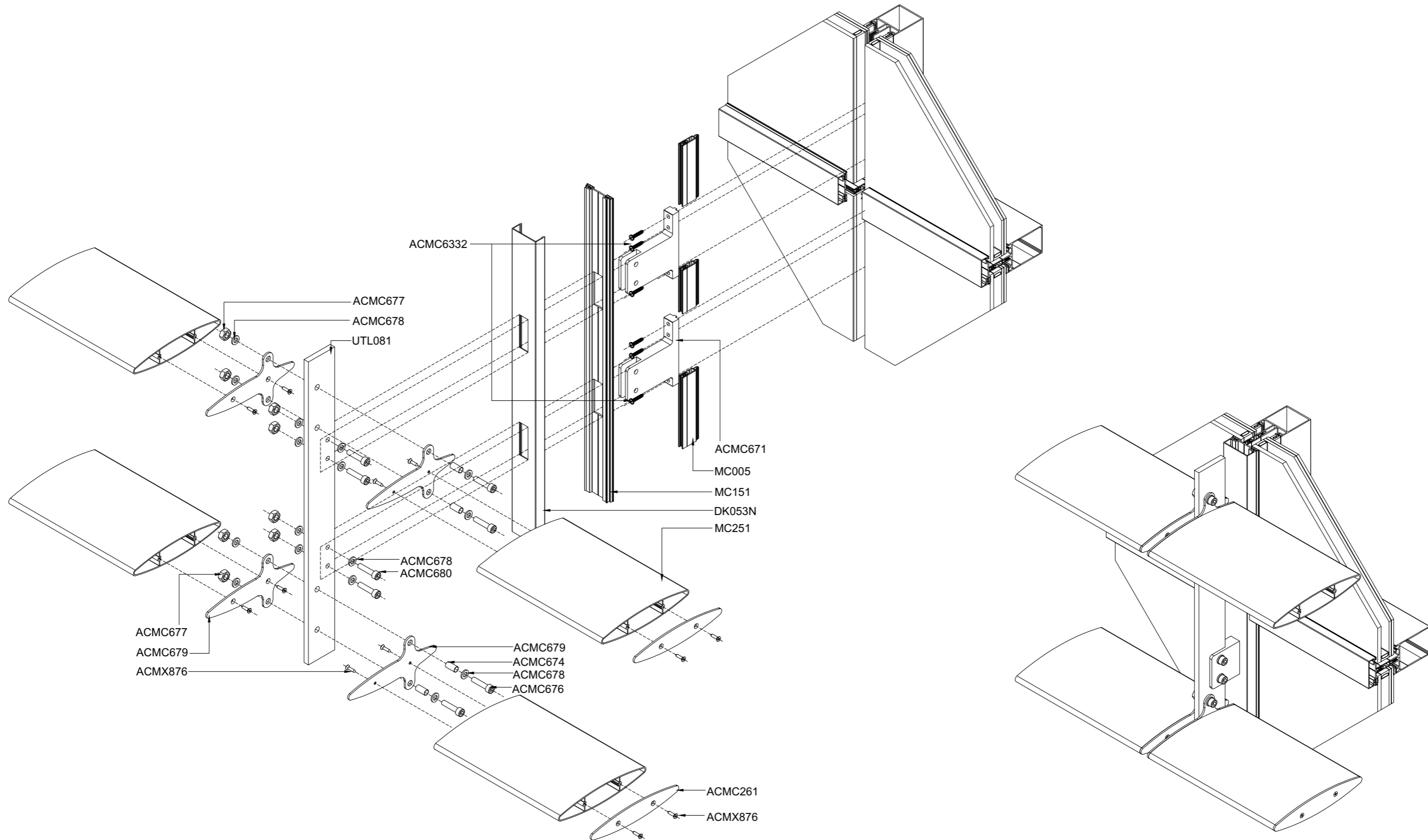
# MC-WALL

MONTAGE ZONNEWERING MET ACMC671 EN UTL081

INSTALLATION BRISE SOLEIL AVEC ACMC671 ET UTL081

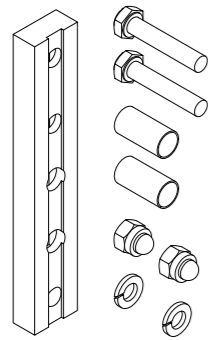
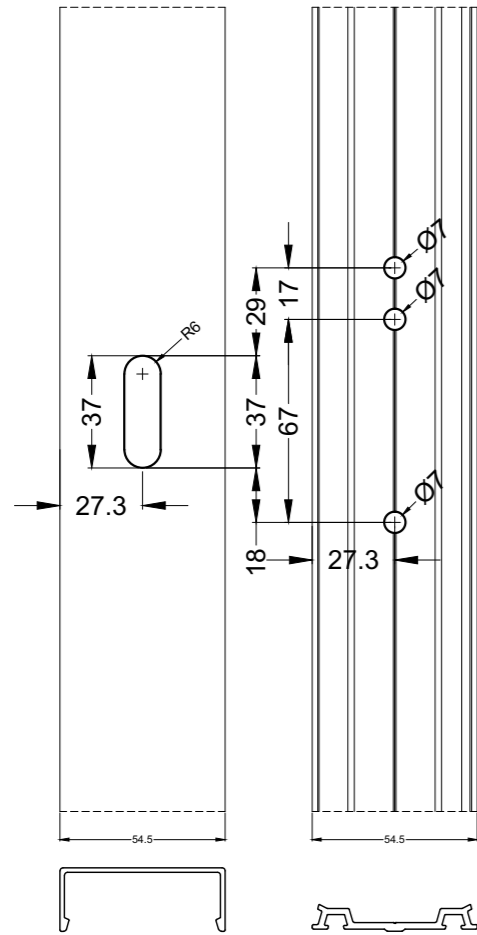
MONTAGE SONNESCHUTZPROFIELEN MIT ACMC671 UND UTL081

INSTALLATION OF SUN BLADES USING BRACKET ACMC671 AND UTL081

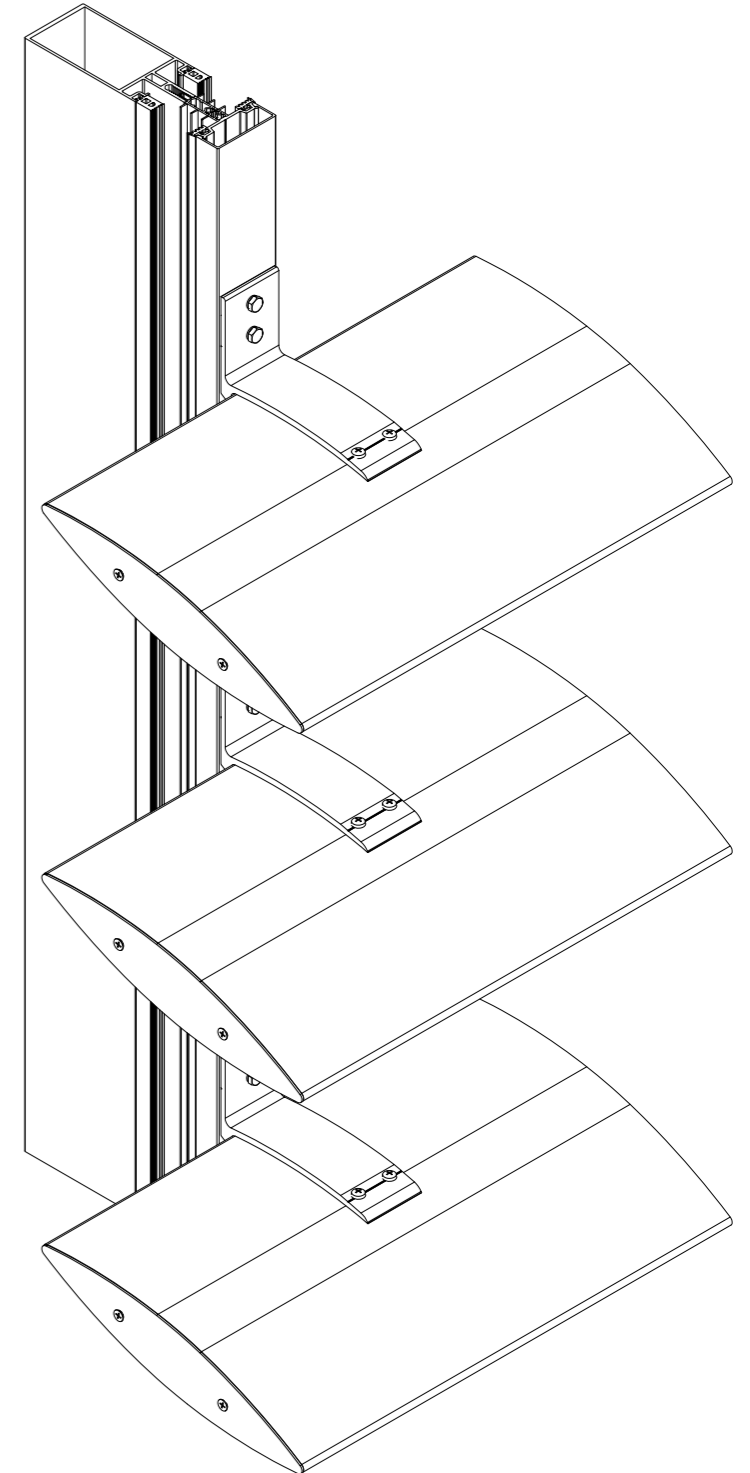
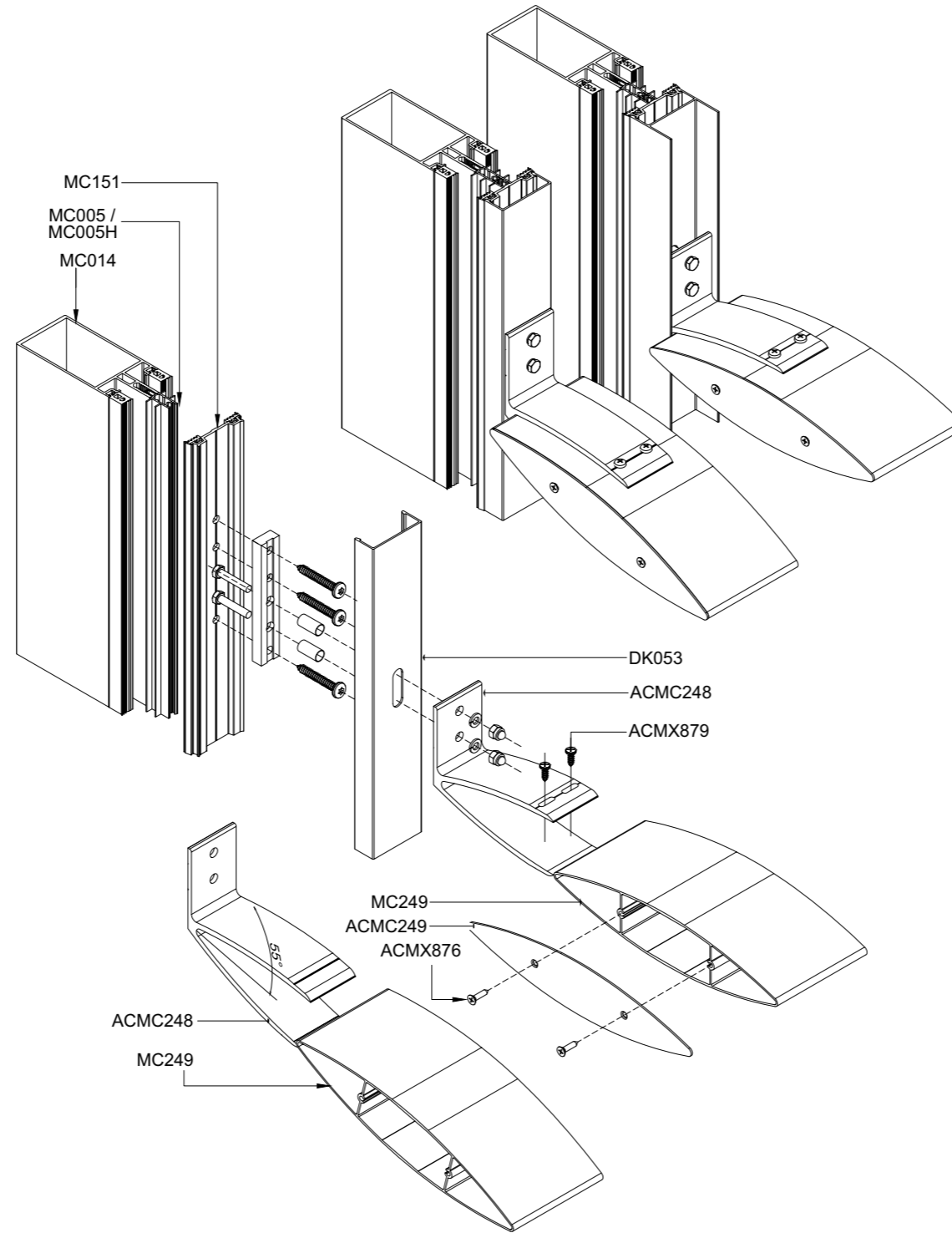
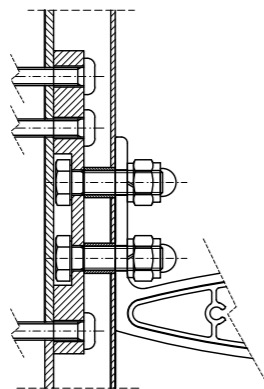




MONTAGE ZONNEWERING MET ACMC658  
 INSTALLATION BRISE SOLEIL AVEC ACMC658  
 MONTAGE SONNESCHUTZPROFIELEN MIT ACMC658  
 INSTALLATION OF SUN BLADES USING BRACKET ACMC658

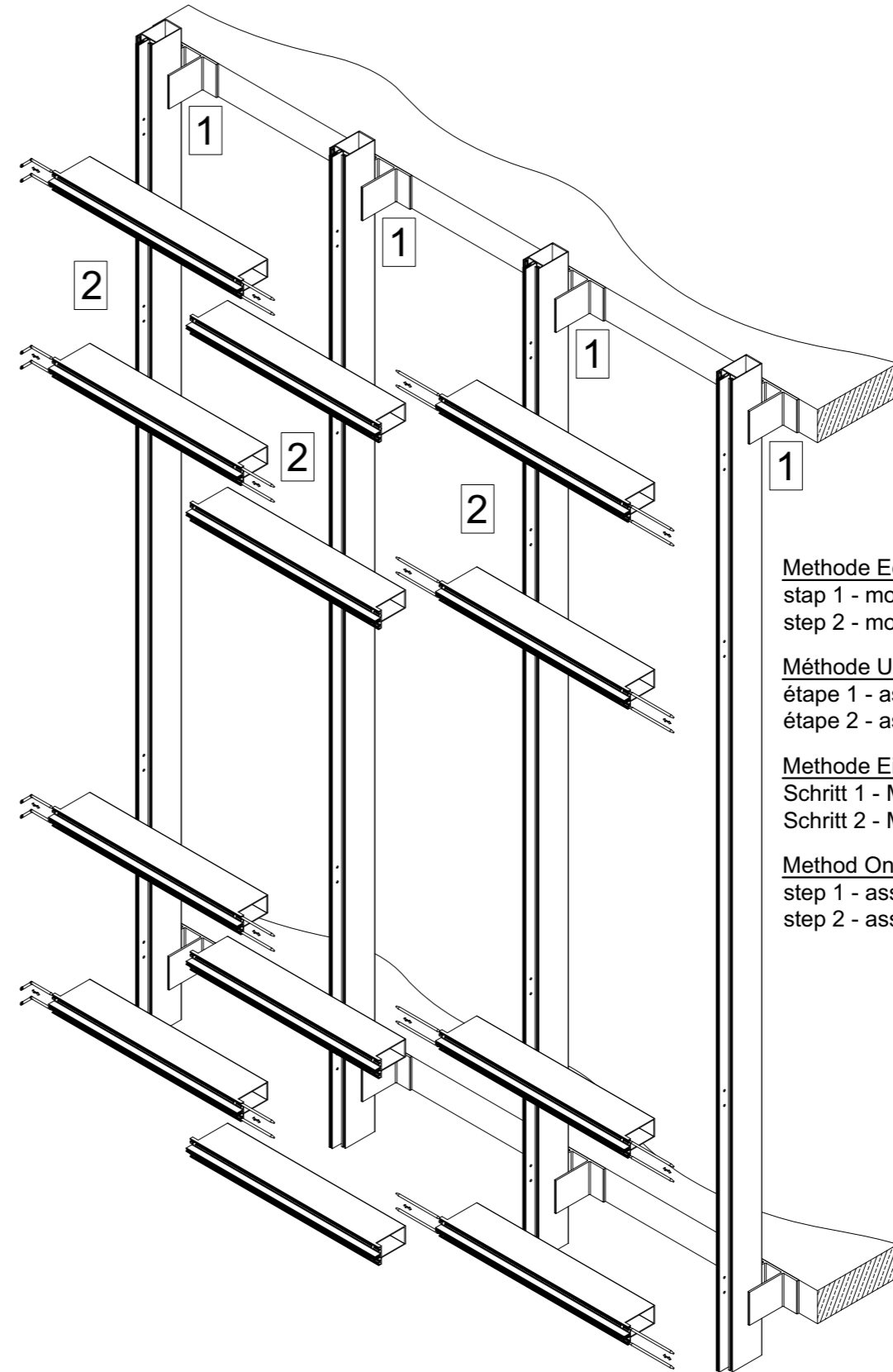
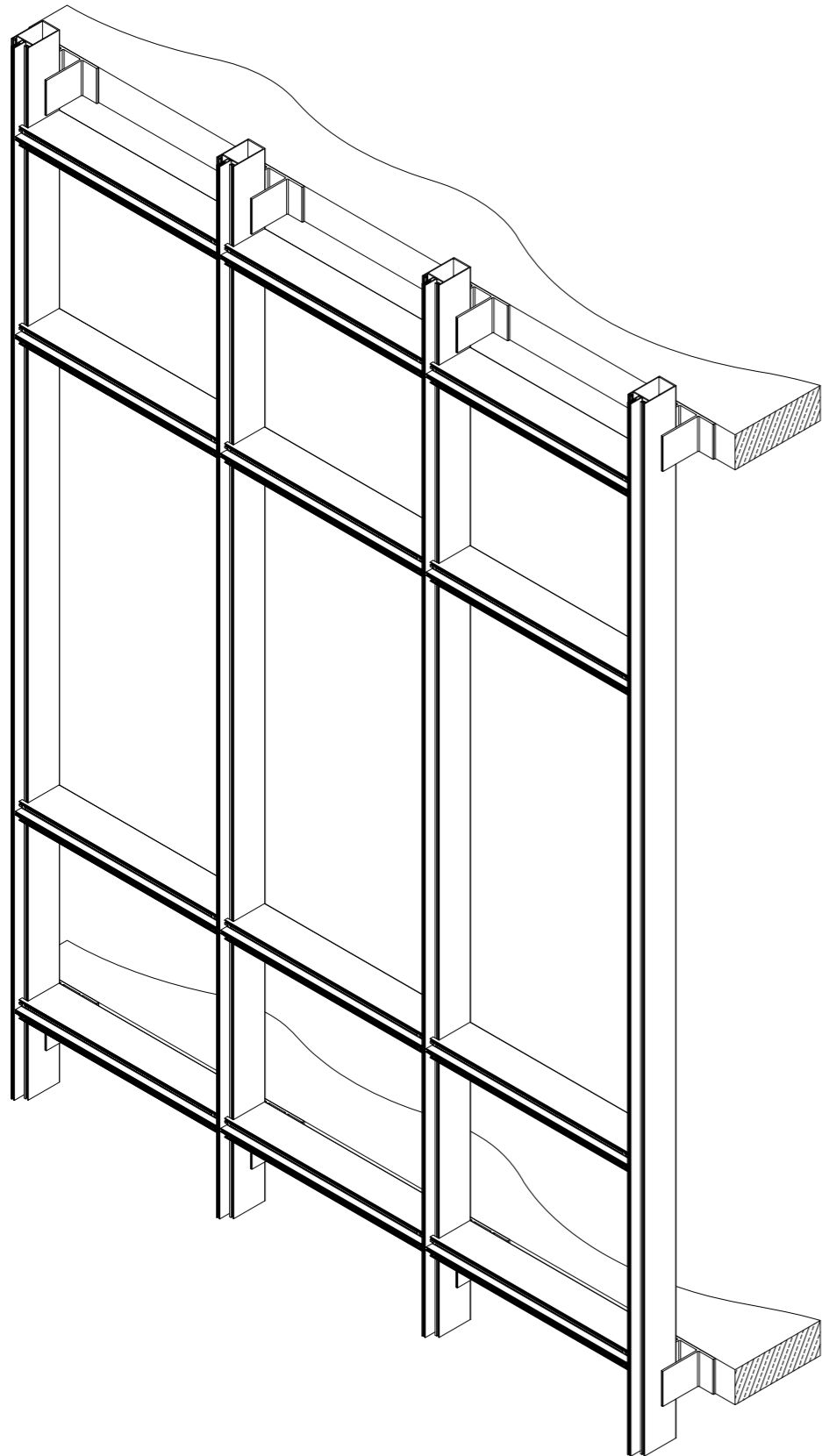


ACMC658



# MC-WALL

MONTAGEMETHODES  
METHODES DE MONTAGE  
MONTAGE MOGLICHKEITEN  
MOUNTING METHODS



**Methode Een:**  
stap 1 - monteer stijlen  
step 2 - monteer regels met pinnen

**Méthode Un:**  
étape 1 - assembler les montants  
étape 2 - assembler les traverses avec tiges

**Methode Ein:**  
Schritt 1 - Montier Pfosten  
Schritt 2 - Montier Riegeln mit Stiften

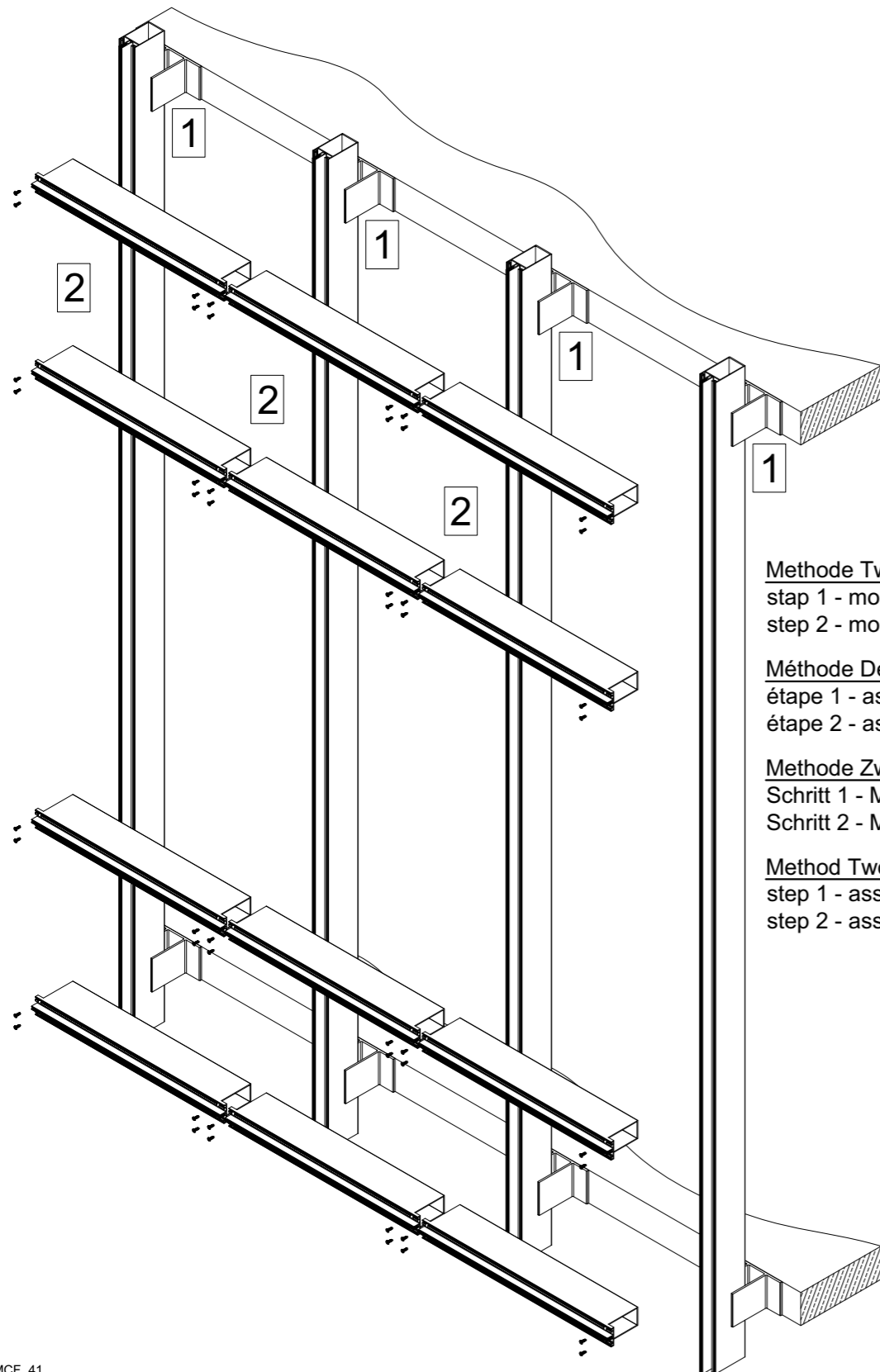
**Method One:**  
step 1 - assembling mullions  
step 2 - assembling transoms by pins

MCF\_40

450

18/1/18

MONTAGEMETHODES  
 METHODES DE MONTAGE  
 MONTAGE MOGLICHKEITEN  
 MOUNTING METHODS

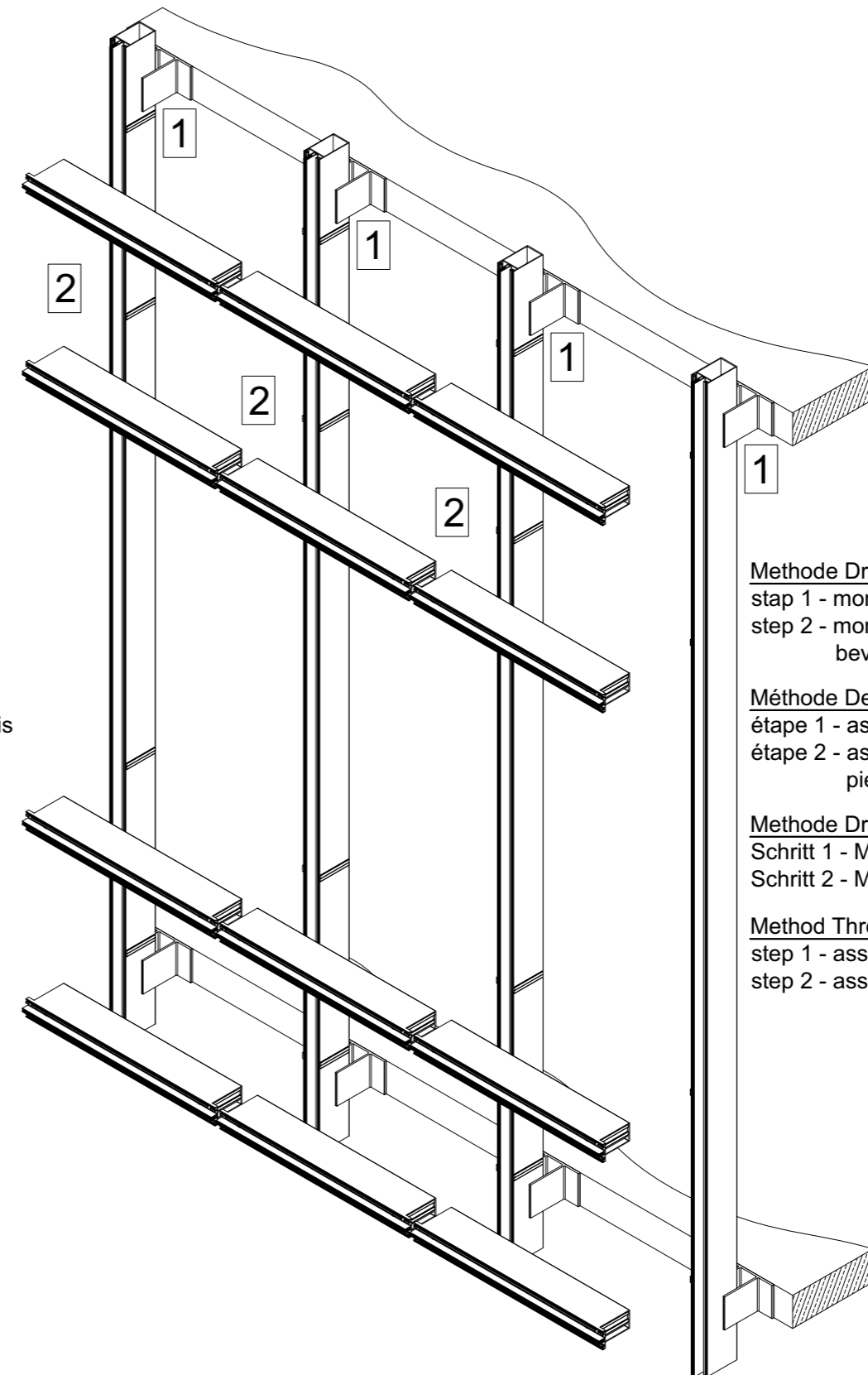


Methode Twee:  
 stap 1 - monteer stijlen  
 step 2 - monteer regels met schroeven

Méthode Deux:  
 étape 1 - assembler les montants  
 étape 2 - assembler les traverses avec vis

Methode Zwei:  
 Schritt 1 - Montier Pfosten  
 Schritt 2 - Montier Riegeln mit Schraube

Method Two:  
 step 1 - assembling mullions  
 step 2 - assembling transoms by screws



Methode Drie:  
 stap 1 - monteer stijlen  
 step 2 - monteer regels met bevestigingstukken (S)

Méthode Deux:  
 étape 1 - assembler les montants  
 étape 2 - assembler les traverses avec pieces de jonction (S)

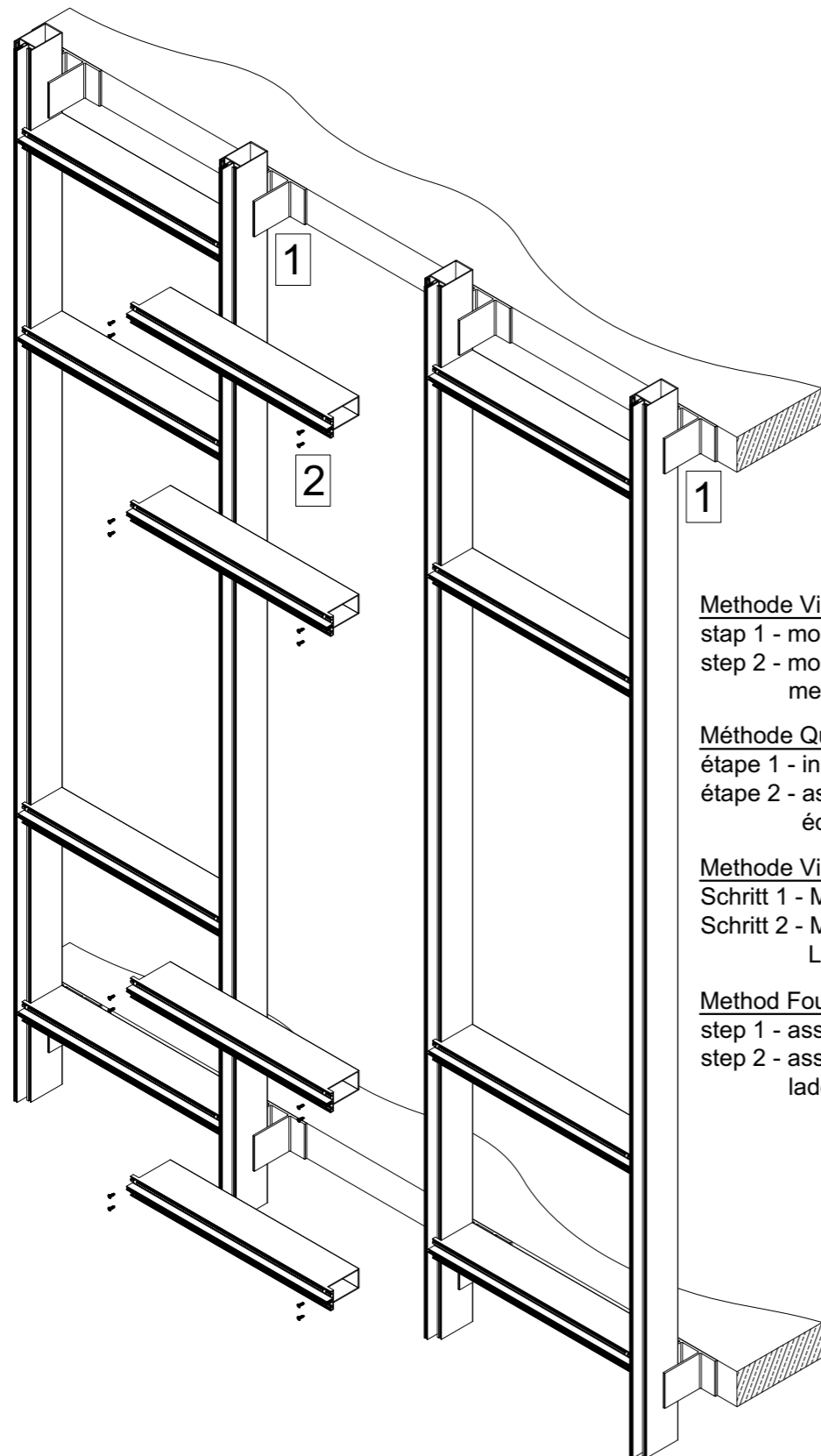
Methode Drei:  
 Schritt 1 - Montier Pfosten  
 Schritt 2 - Montier Riegeln mit Verbindung (S)

Method Three:  
 step 1 - assembling mullions  
 step 2 - assembling transoms by brackets (S)

MCF\_41

# MC-WALL

MONTAGEMETHODES  
METHODES DE MONTAGE  
MONTAGE MOGLICHKEITEN  
MOUNTING METHODS

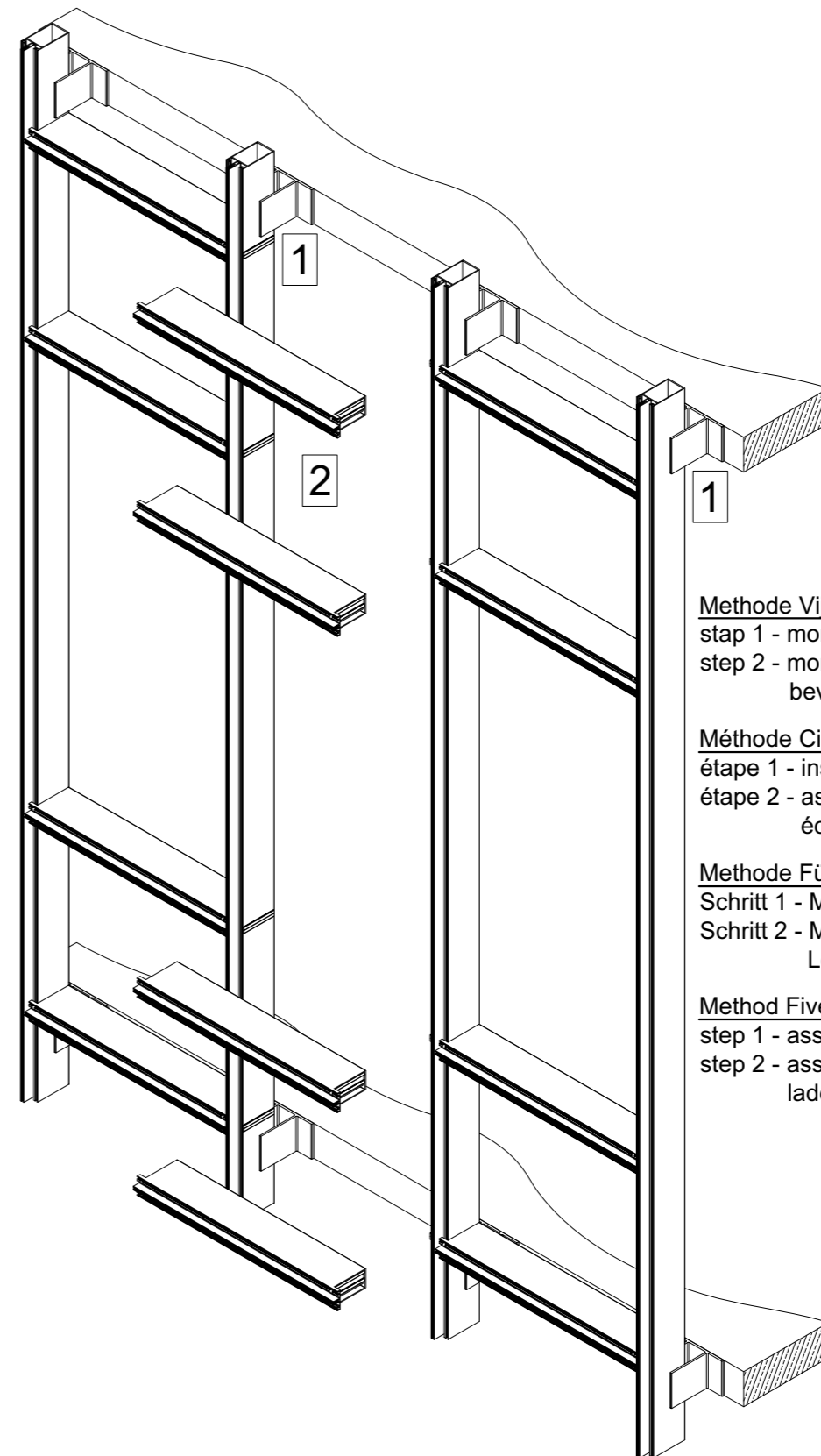


Methode Vier:  
step 1 - monteer ladder  
step 2 - monteer regels tussen ladders met schroeven

Méthode Quatre:  
étape 1 - installation d'échelles  
étape 2 - assembler les traverses entre les échelles avec vis

Methode Vier:  
Schritt 1 - Montier Leiter  
Schritt 2 - Montier Riegeln zwischen der Leiter mit Schrauben

Method Four:  
step 1 - assembling ladders  
step 2 - assembling transoms between ladders by screws

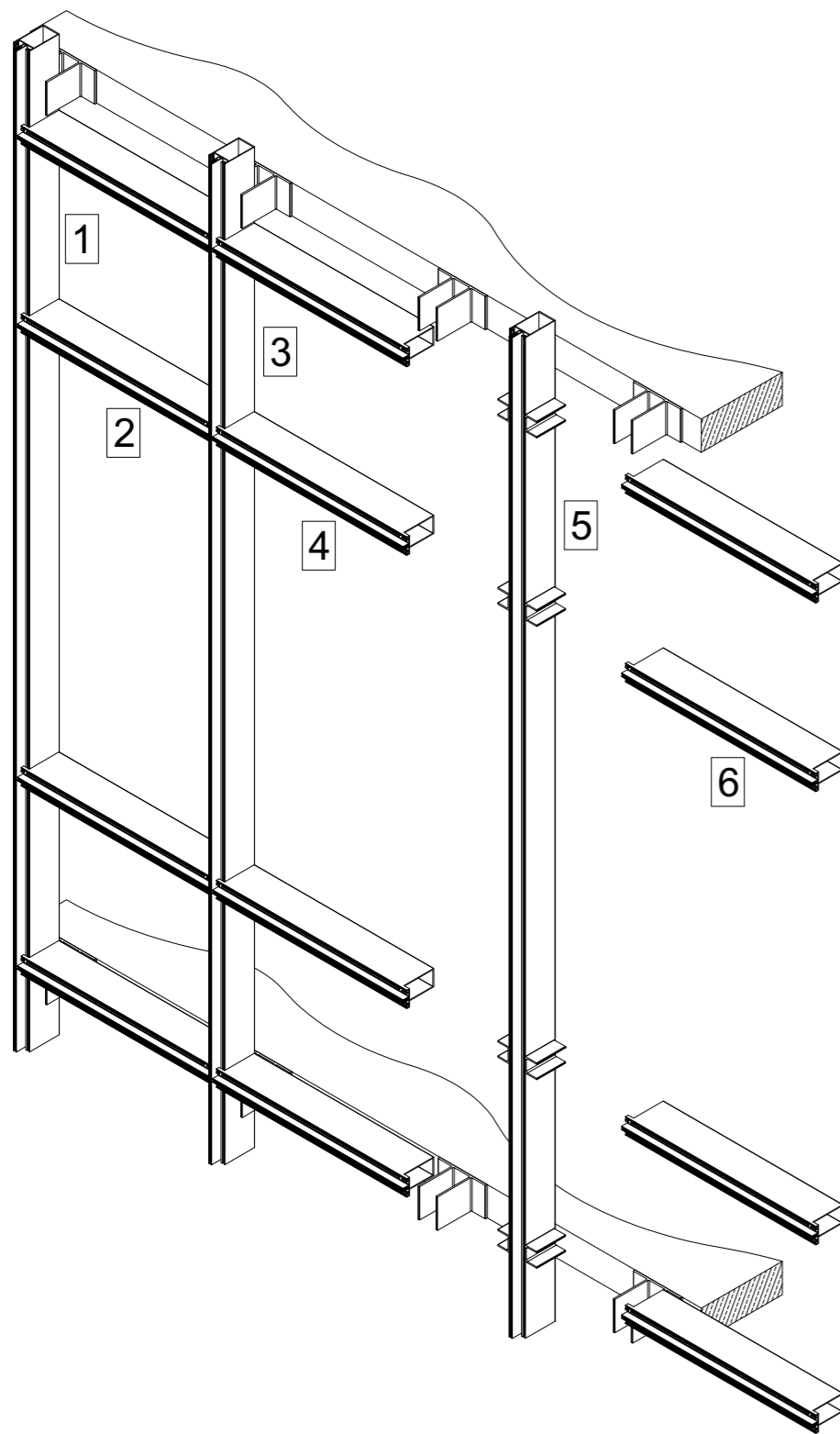


Methode Vijf:  
step 1 - monteer ladder  
step 2 - monteer regels tussen ladder met bevestigingstukken (S)

Méthode Cinq:  
étape 1 - installation d'échelles  
étape 2 - assembler les traverses entre les échelles avec pieces de jonction (S)

Methode Fünf:  
Schritt 1 - Montier Leiter  
Schritt 2 - Montier Riegeln zwischen der Leiter mit Befestigung (S)

Method Five:  
step 1 - assembling ladder  
step 2 - assembling transoms between ladders by brackets (S)



**Methode Zes:**

- stap 1 - monteer de eerste stijl
- stap 2 - bevestig de regel aan de stijl met de verbinder (C)
- stap 3 - bevestig de tweede stijl aan de regel met de verbinder (C)

**Méthode Six:**

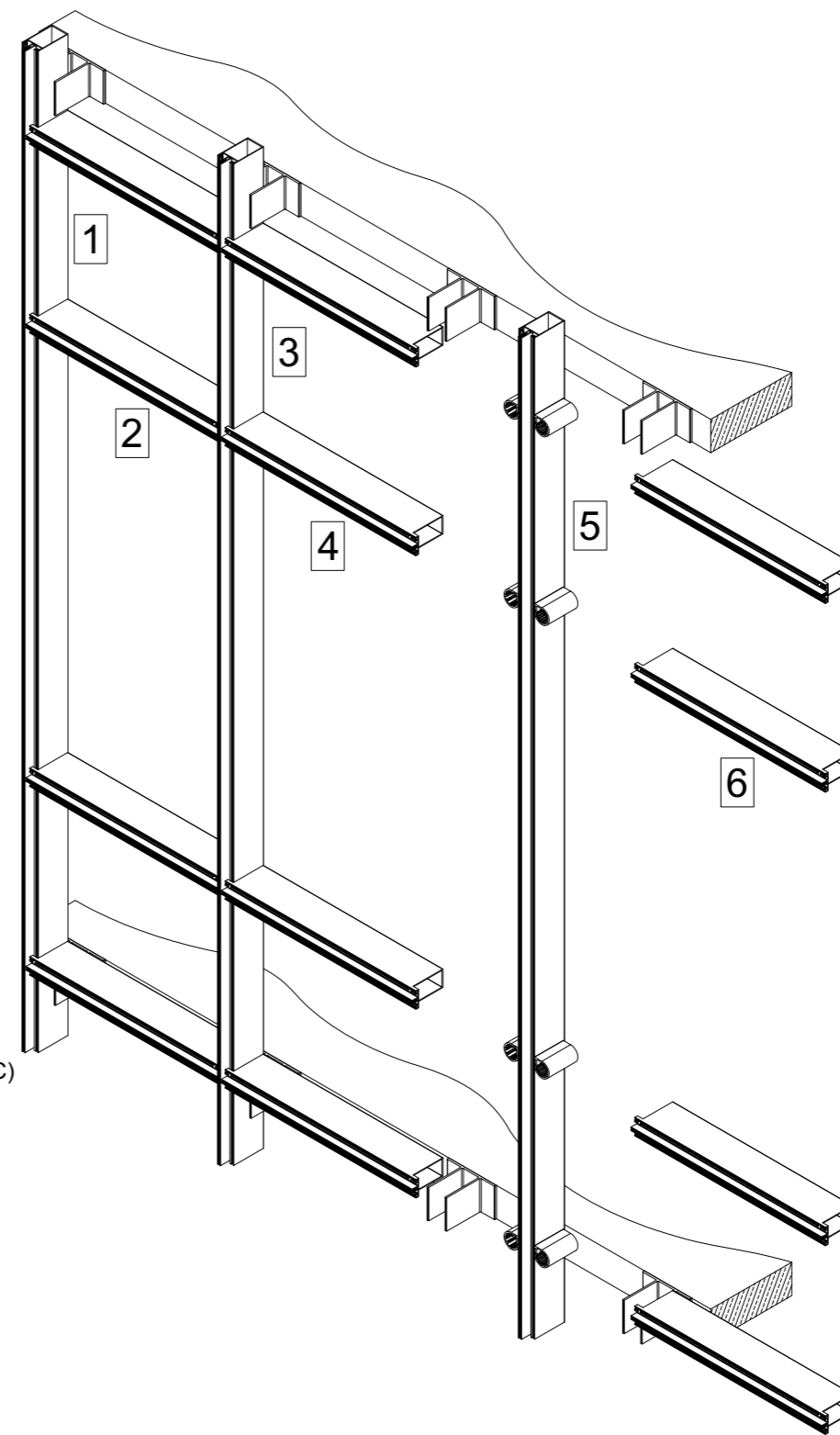
- étape 1 - monter le premier montant
- étape 2 - assembler les traverses au montant avec le piece de jonction (C)
- étape 3 - assembler le deuxième montant avec le piece de jonction (C)

**Methode Sechs:**

- Schritt 1 - Montieren Sie den ersten Pfost
- Schritt 2 - Montier Riegel auf den Pfost mit den Verbinder (C)
- Schritt 3 - Montieren Sie den zweiten Pfost an den Pfost mit den Verbinder (C)

**Method Six:**

- step 1 - assemble first mullion
- step 2 - assembling transoms to the mullion using bracket (C)
- step 3 - assemble second mullion to the transom using bracket (C)



**Methode Zes:**

- stap 1 - monteer de eerste stijl
- stap 2 - bevestig de regel aan de stijl met de verbinder (S)
- stap 3 - bevestig de tweede stijl aan de regel met de verbinder (S)

**Méthode Six:**

- étape 1 - monter le premier montant
- étape 2 - assembler les traverses au montant avec le piece de jonction (S)
- étape 3 - assembler le deuxième montant avec le piece de jonction (S)

**Methode Sechs:**

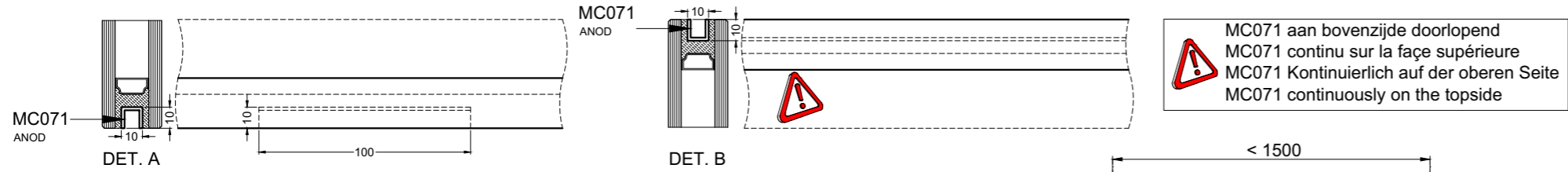
- Schritt 1 - Montieren Sie den ersten Pfost
- Schritt 2 - Montier Riegel auf den Pfost mit den Verbinder (S)
- Schritt 3 - Montieren Sie den zweiten Pfost an den Pfost mit den Verbinder (S)

**Method Six:**

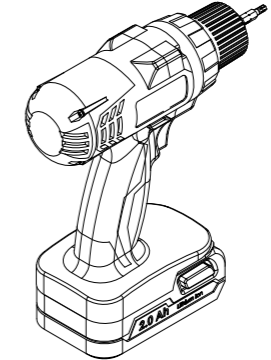
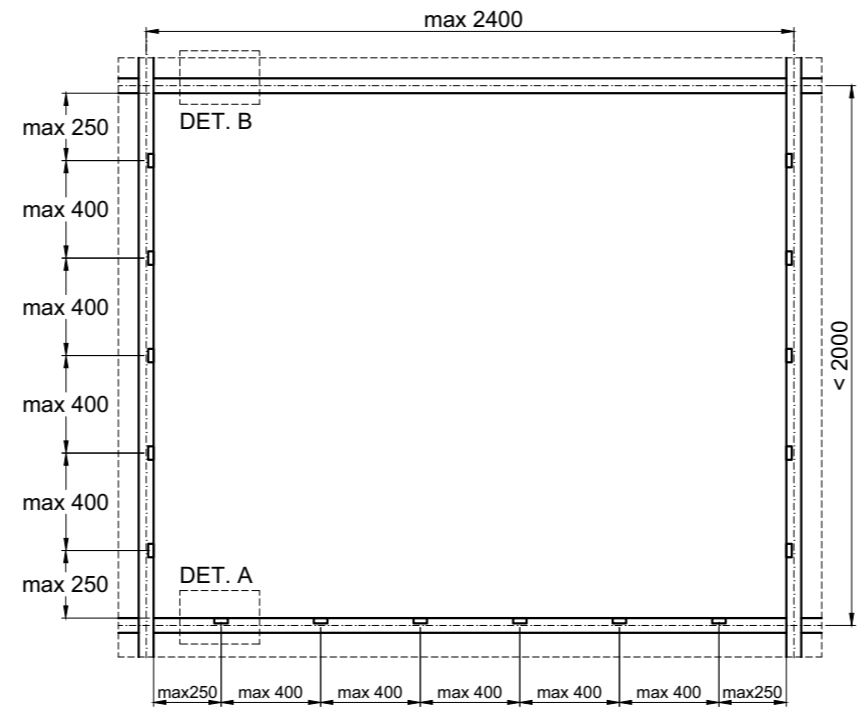
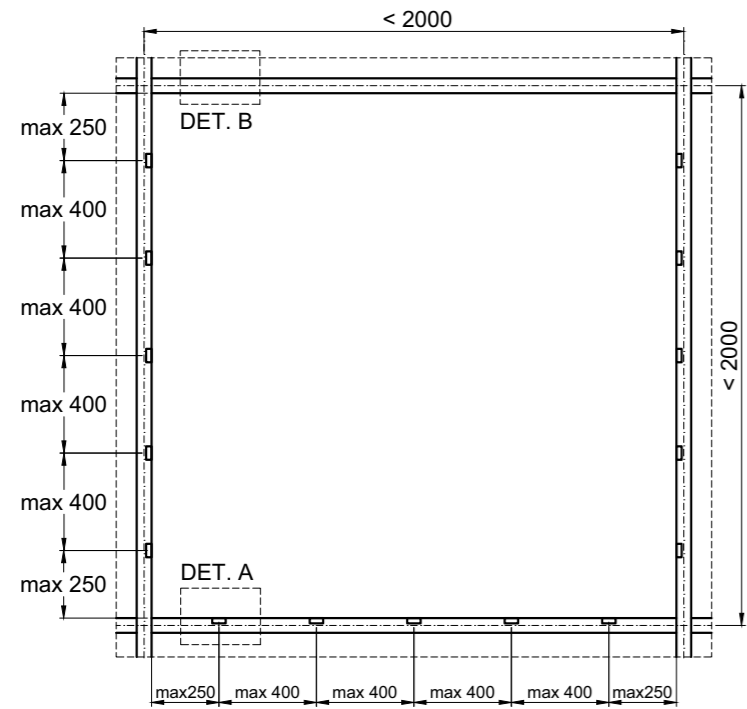
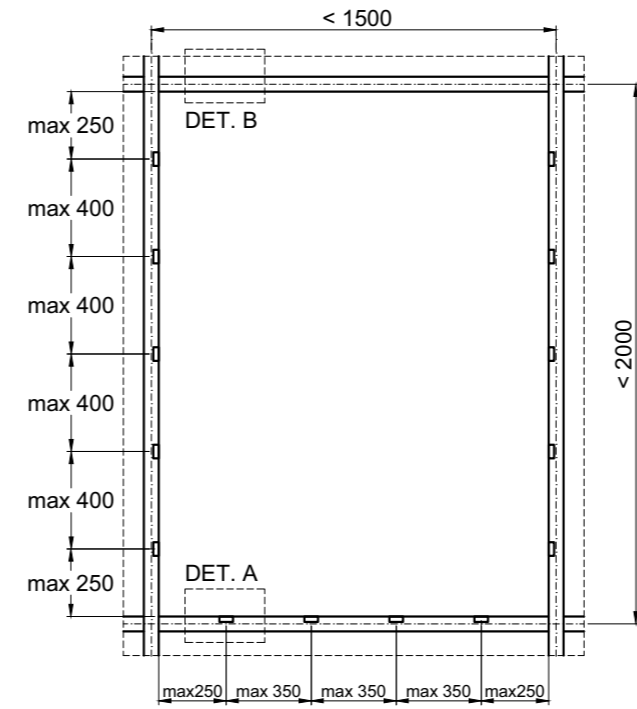
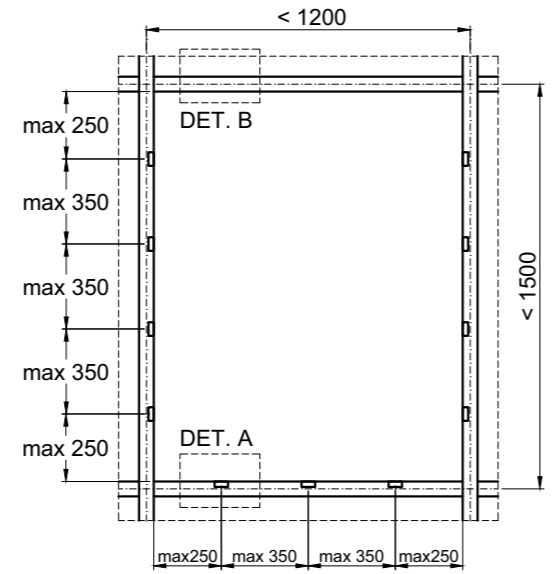
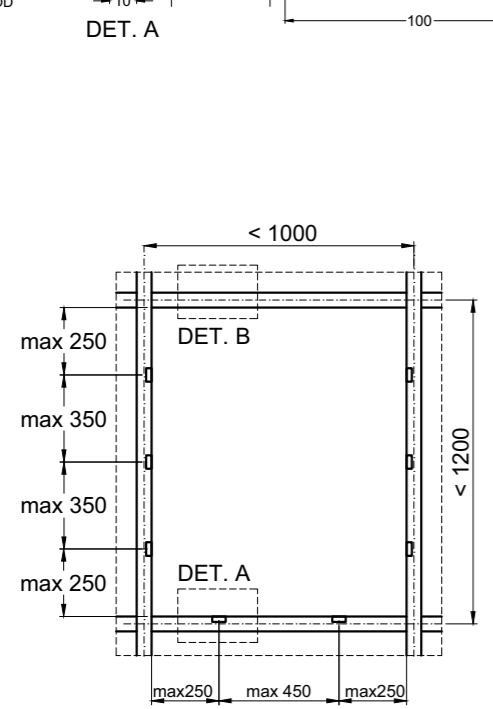
- step 1 - assemble first mullion
- step 2 - assembling transoms to the mullion using bracket (S)
- step 3 - assemble second mullion to the transom using bracket (S)

# MC-WALL

PLAATSBEPALING POCKETS VOOR MC GLASS  
 LOCATION DE POCHES POUR MC GLASS  
 LAGE FACH FÜR MC GLASS  
 LOCATION OF POCKETS FOR MC GLASS



MC071 aan bovenzijde doorlopend  
 MC071 continu sur la façade supérieure  
 MC071 Kontinuierlich auf der oberen Seite  
 MC071 continuously on the topside

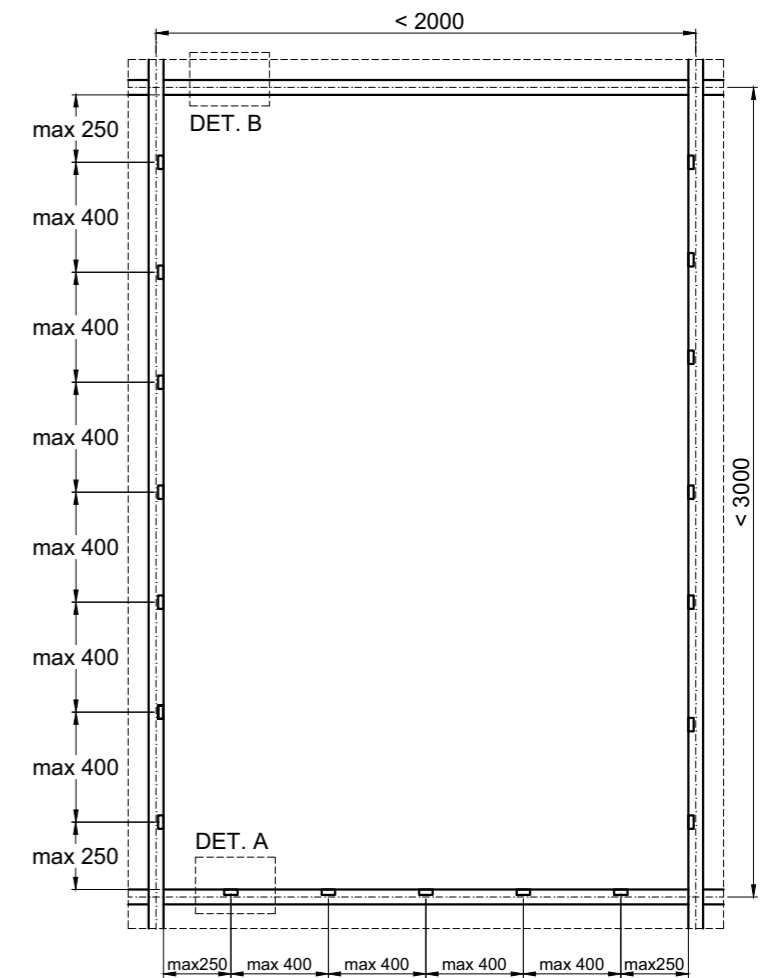


AANBEVOLEN MOMENT VASTZETTING SCHROEF: 5Nm  
 BREUK MOMENT: 10Nm  
 AANBEVOLEN DRAAISNELHEID: 1600-2000 omw/min

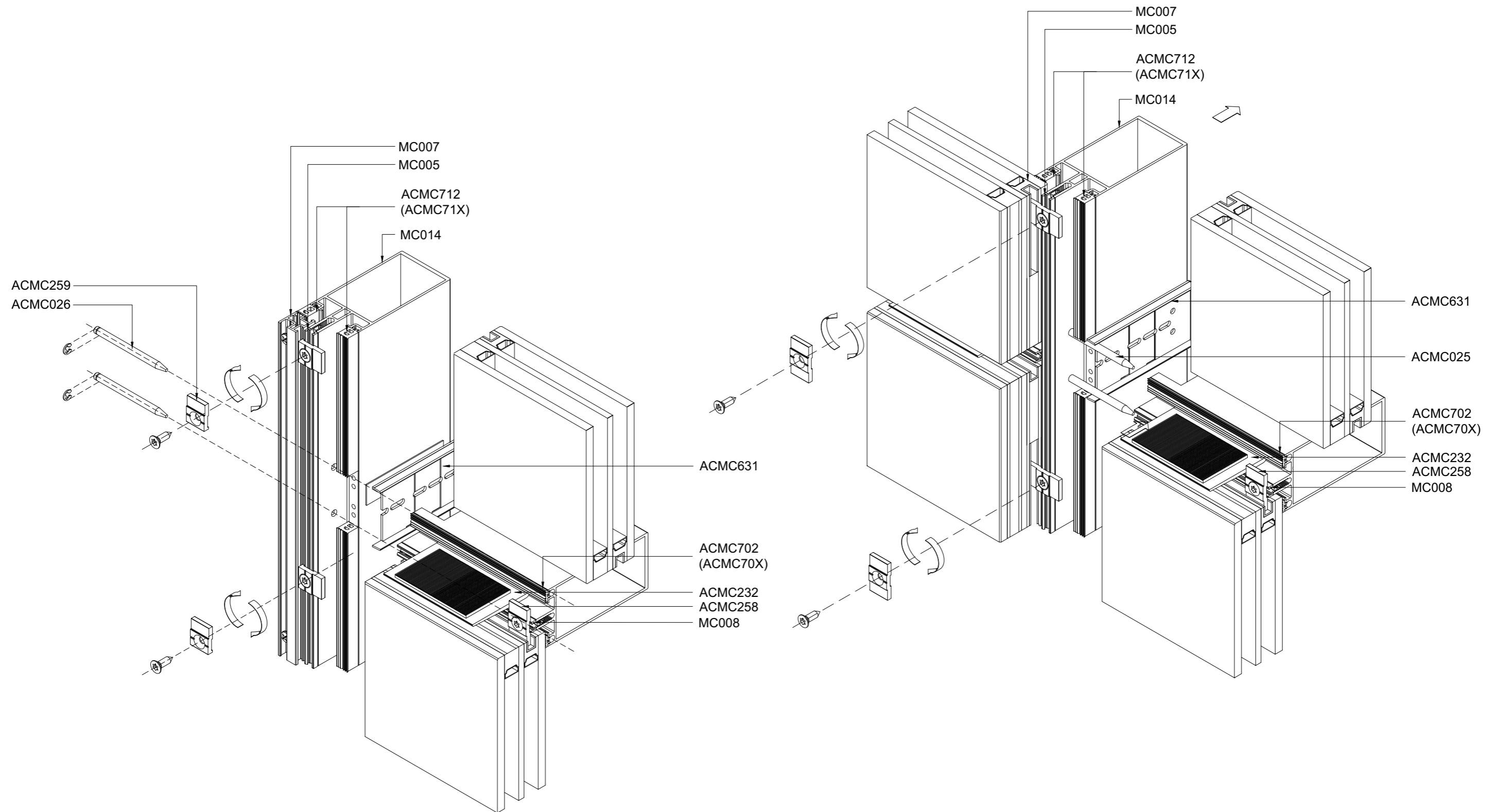
MOMENT RECOMMANDE FIXATION VIS: 5Nm  
 MOMENT DE RUPTURE: 10Nm  
 VITESSE DE ROTATION RECOMMANDE: 1600-2000 rpm

EMPHOHLEN MOMENT FIXIERUNG SCHRAUBE: 5Nm  
 BRECHMOMENT: 10Nm  
 EMPFOHLEN GESCHWINDIGKEIT: 1600-2000 U/min

RECOMMENDED TORQUE FOR FIXING SCREW: 5Nm  
 BREAKING POINT: 10Nm  
 RECOMMENDED TURN SPEED: 1600-2000 rpm



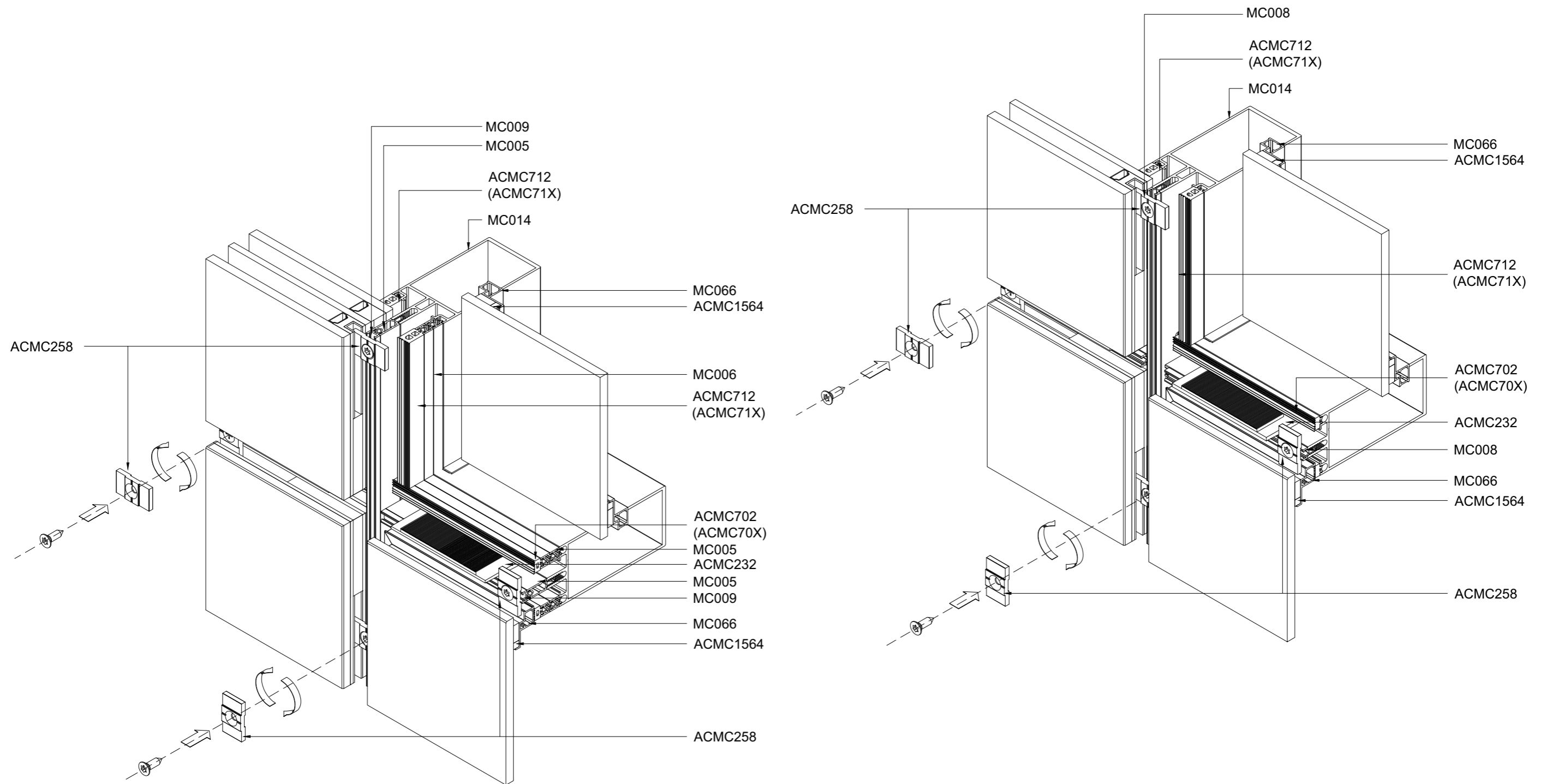
MONTAGE MC GLASS  
 MONTAGE MC GLASS  
 MONTAGE MC GLASS  
 MOUNTING MC GLASS



WERKTEKENINGEN - DESSINS DE CONSTRUCTION - KONSTRUKTIONZEICHNUNGEN - CONSTRUCTION DRAWINGS

# MC-WALL

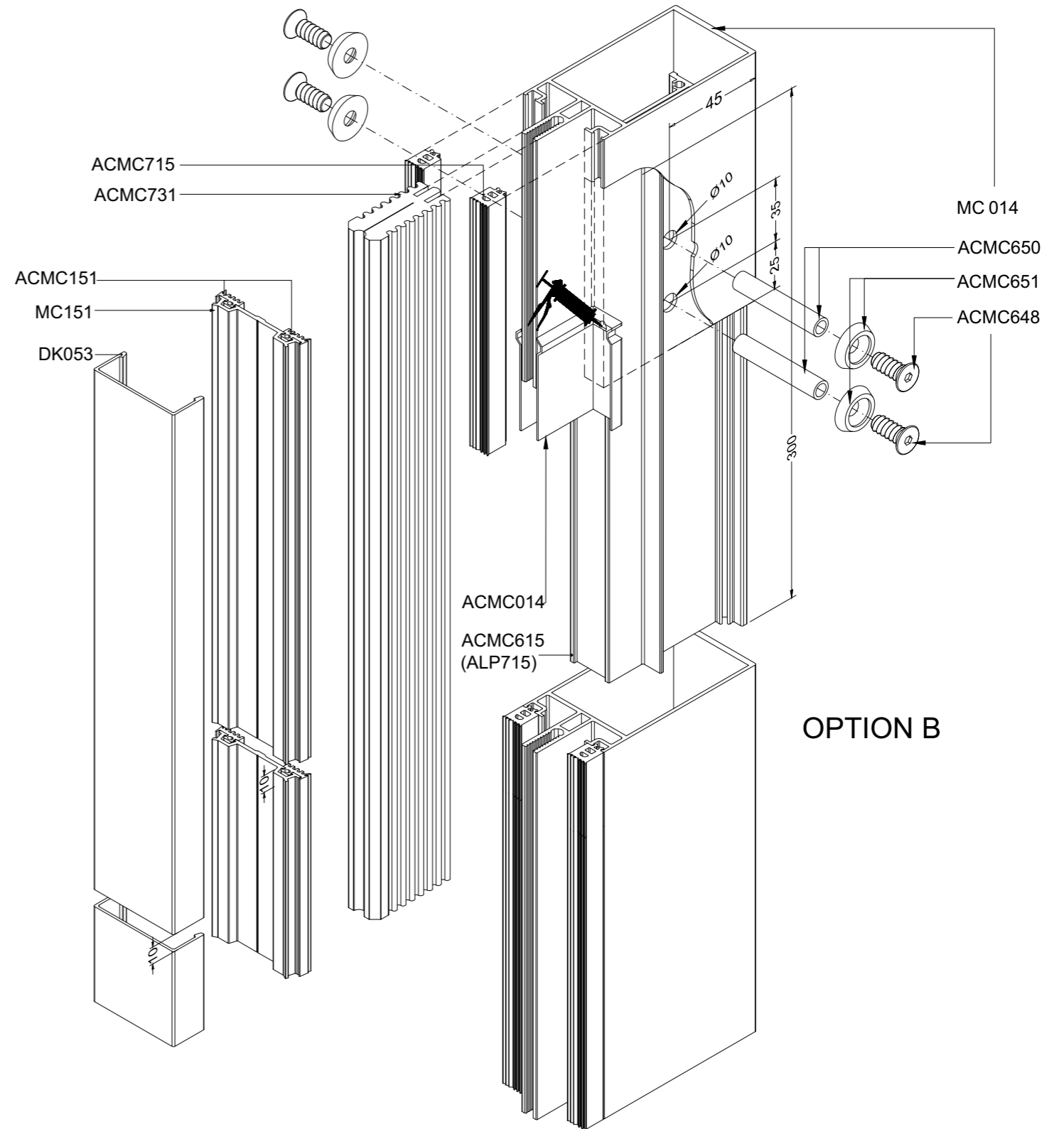
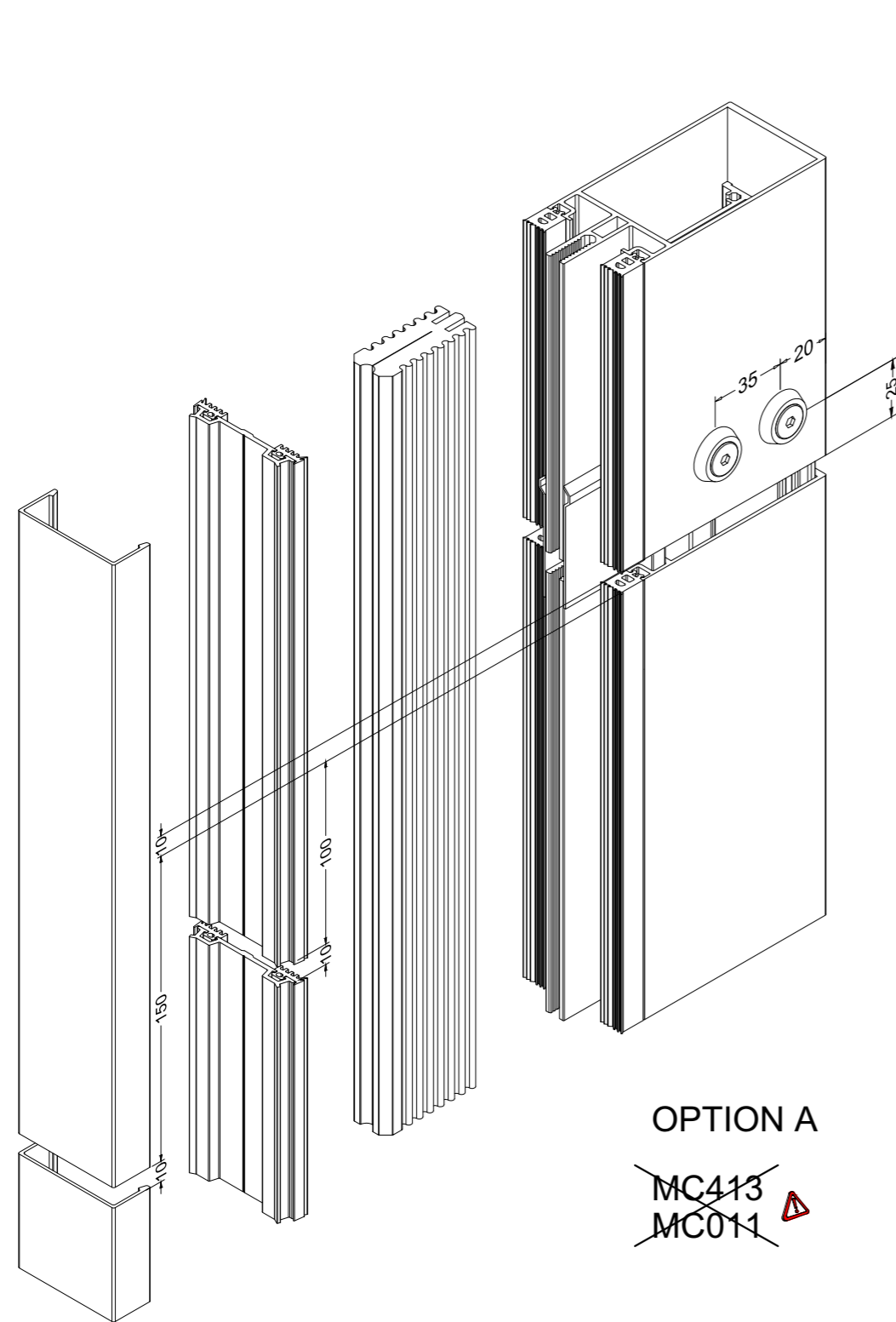
MONTAGE MC GLASS  
MONTAGE MC GLASS  
MONTAGE MC GLASS  
MOUNTING MC GLASS



MCF\_46

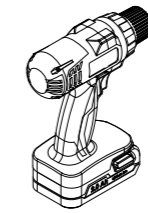
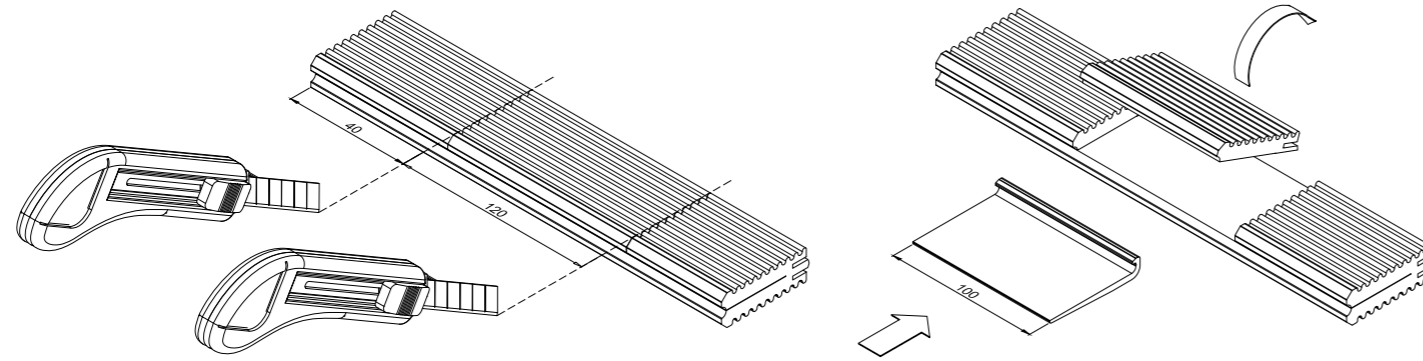


KOPPELING STIJLEN MC PASSIVE+  
 LIAISON ENTRE MONTANTS MC PASSIVE+  
 VERBINDUNG ZWISCHEN PFOSTEN MC PASSIVE+  
 CONNECTION MULLIONS MC PASSIVE+



# MC-WALL

MONTAGE MC PASSIVE+  
 MONTAGE MC PASSIVE+  
 MONTAGE MC PASSIVE+  
 MOUNTING MC PASSIVE+



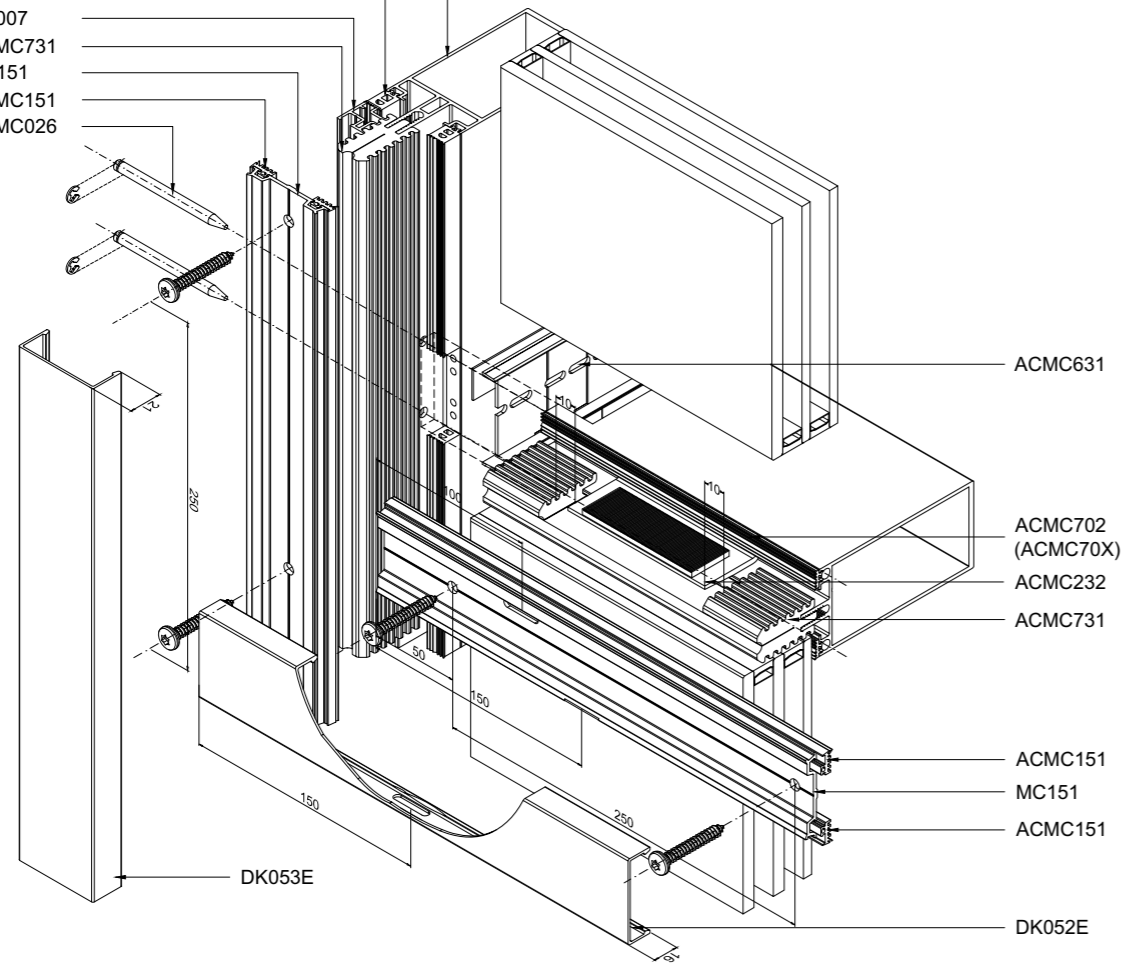
AANBEVOLEN MOMENT VASTZETTING SCHROEF: 5Nm  
 BREUK MOMENT: 10Nm  
 AANBEVOLEN DRAAISNELHEID: 1600-2000 omw/min

MOMENT RECOMMANDE FIXATION VIS: 5Nm  
 MOMENT DE RUPTURE: 10Nm  
 VITESSE DE ROTATION RECOMMANDE: 1600-2000 rpm

EMPFOHLEN MOMENT FIXIERUNG SCHRAUBE: 5Nm  
 BRECHMOMENT: 10Nm  
 EMPFOHLEN GESCHWINDIGKEIT: 1600-2000 U/min

RECOMMENDED TORQUE FOR FIXING SCREW: 5Nm  
 BREAKING POINT: 10Nm  
 RECOMMENDED TURN SPEED: 1600-2000 rpm

MC014  
 ACMC712  
 (ACMC71X)  
 MC007  
 ACMC731  
 MC151  
 ACMC151  
 ACMC026



ACMC631

ACMC702  
 (ACMC70X)  
 ACMC232  
 ACMC731

ACMC151  
 MC151  
 ACMC151

DK052E

DK053E

ACMC731

ACMC712  
 (ACMC71X)

MC014

ACMC630

ACMC702  
 (ACMC70X)

ACMC232

ACMC731

ACMC151

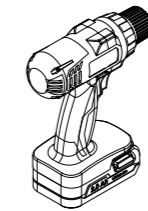
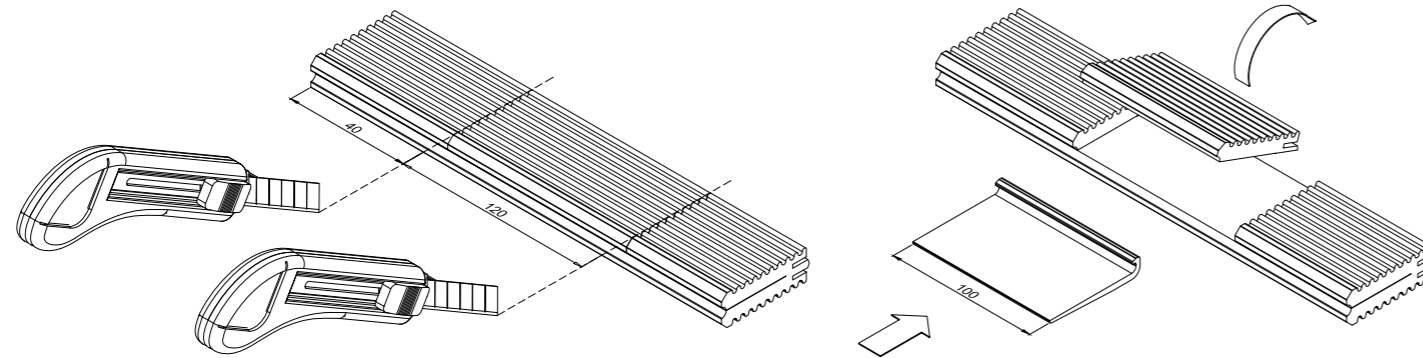
MC151

ACMC151

DK052E

DK053E

MONTAGE MC PASSIVE+  
MONTAGE MC PASSIVE+  
MONTAGE MC PASSIVE+  
MOUNTING MC PASSIVE+

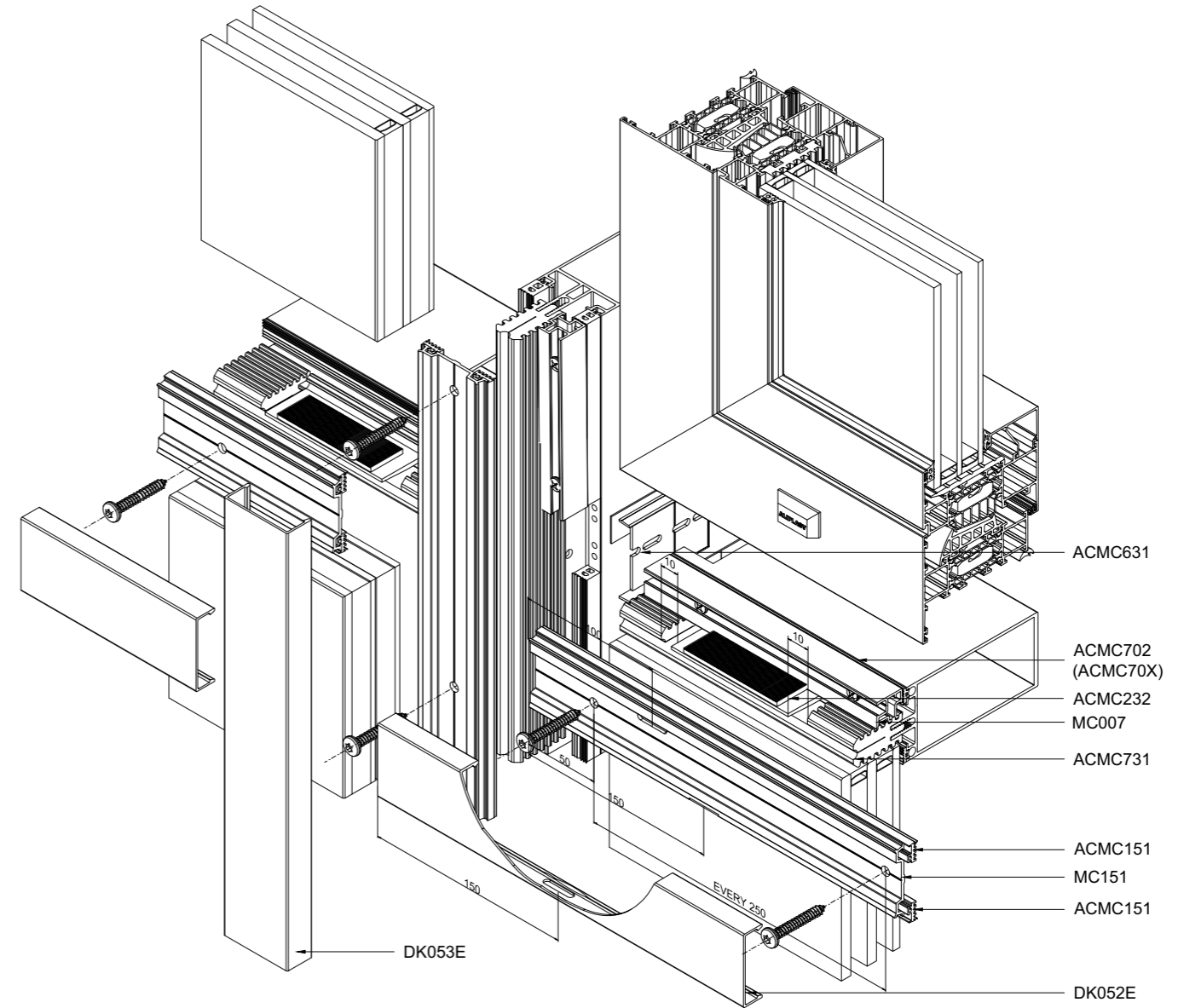
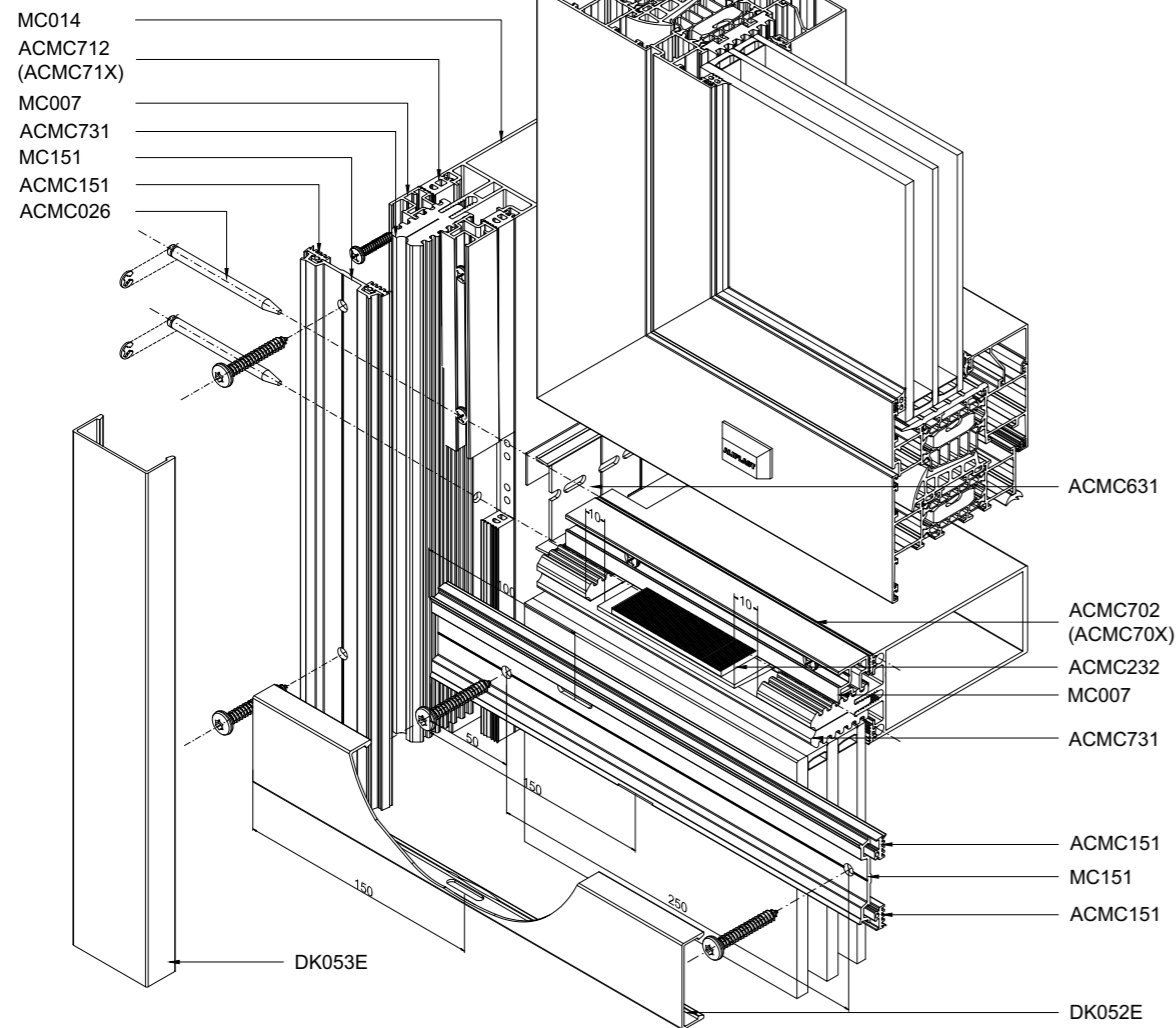


AANBEVOLEN MOMENT VASTZETTING SCHROEF: 5Nm  
BREUK MOMENT: 10Nm  
AANBEVOLEN DRAAISNELHEID: 1600-2000 omw/min

MOMENT RECOMMANDE FIXATION VIS: 5Nm  
MOMENT DE RUPTURE: 10Nm  
VITESSE DE ROTATION RECOMMANDE: 1600-2000 rpm

EMPFOHLEN MOMENT FIXIERUNG SCHRAUBE: 5Nm  
BRECHMOMENT: 10Nm  
EMPHOHLEN GESCHWINDIGKEIT: 1600-2000 U/min

RECOMMENDED TORQUE FOR FIXING SCREW: 5Nm  
BREAKING POINT: 10Nm  
RECOMMENDED TURN SPEED: 1600-2000 rpm

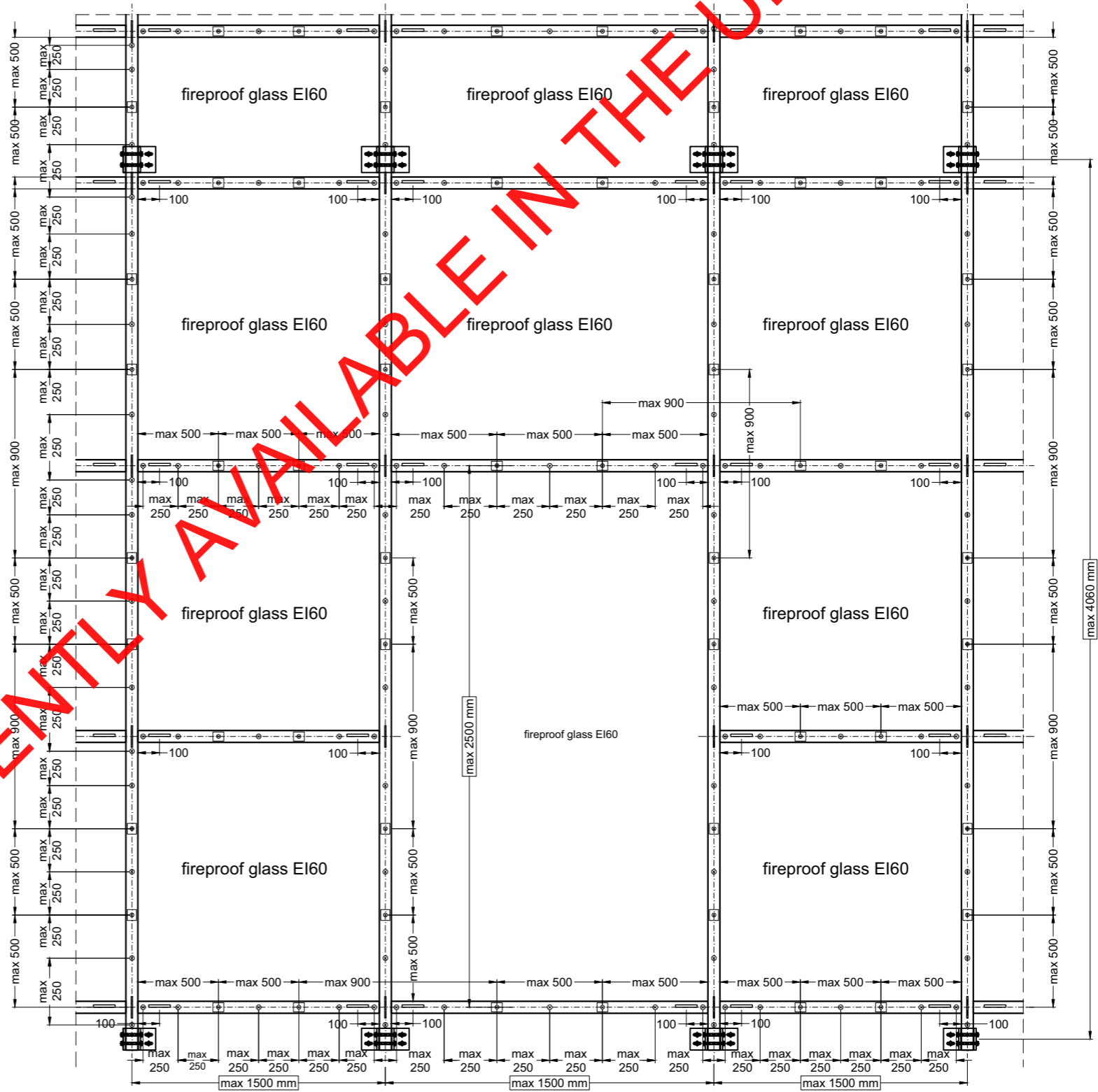


# MC-WALL

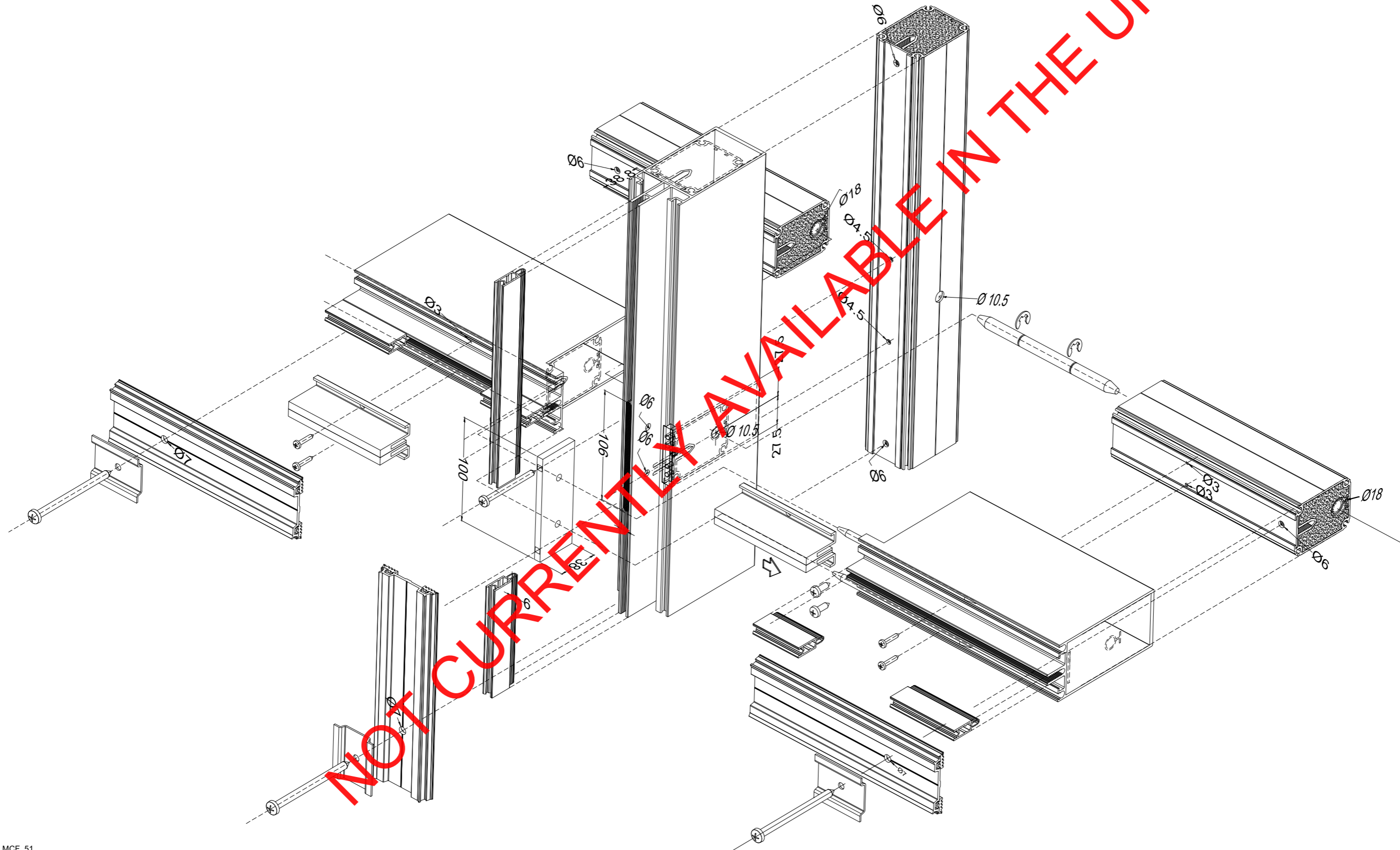
OVERZICHT ACCESSOIRES MC FIRE  
 APERCU ACCESSOIRES MC FIRE  
 UBERSICHT ZUBEHOR MC FIRE  
 OVERVIEW ACCESSORIES MC FIRE

- ▣ ACMC6360 - ACMC63120 + ACMC790
- ACMC6338 - ACMC6370
- | ACMC797
- ≡ ACMC780 - ACMC787

NOT CURRENTLY AVAILABLE IN THE UK



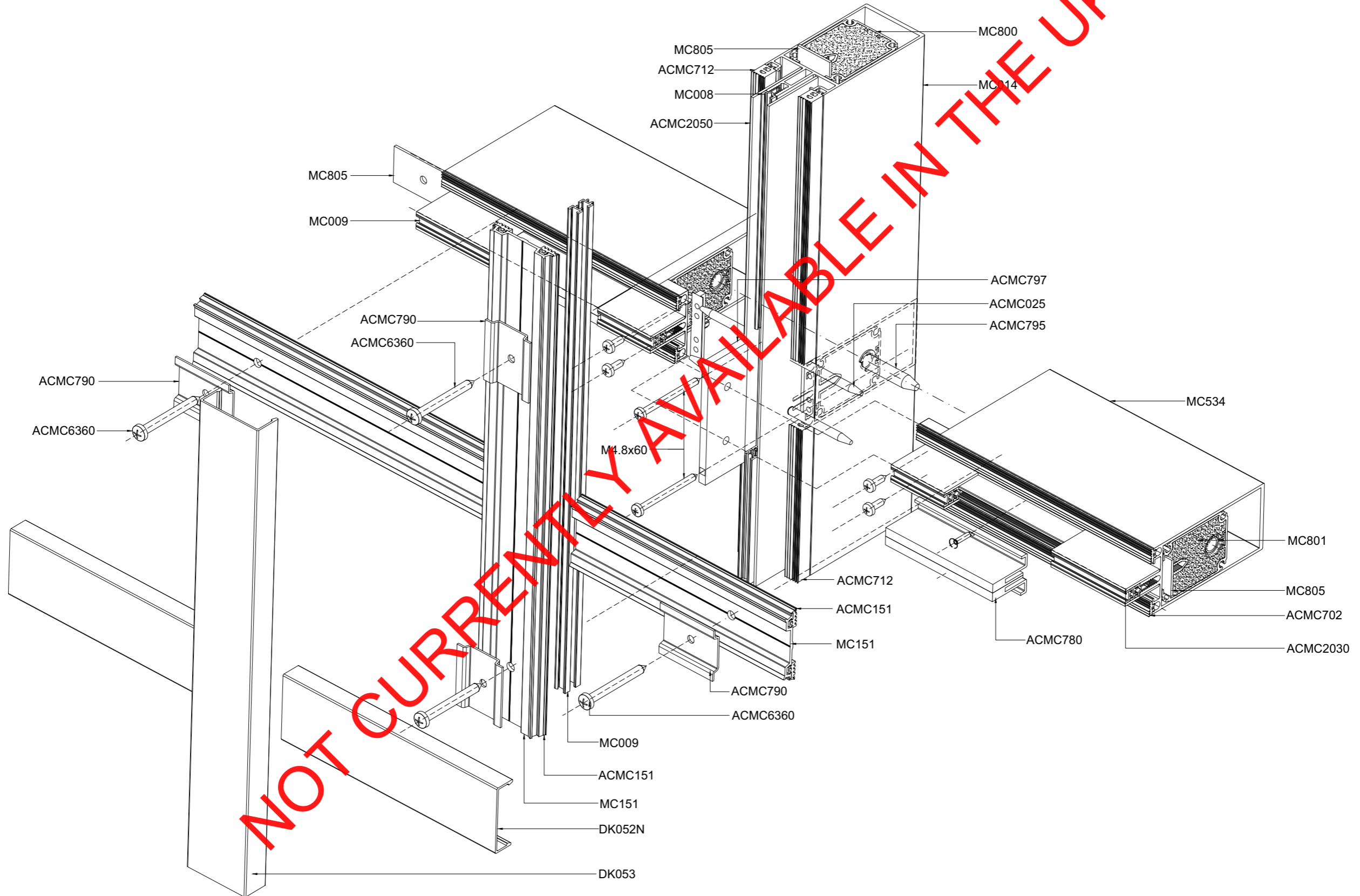
MONTAGE MC FIRE  
MONTAGE MC FIRE  
MONTAGE MC FIRE  
MOUNTING MC FIRE



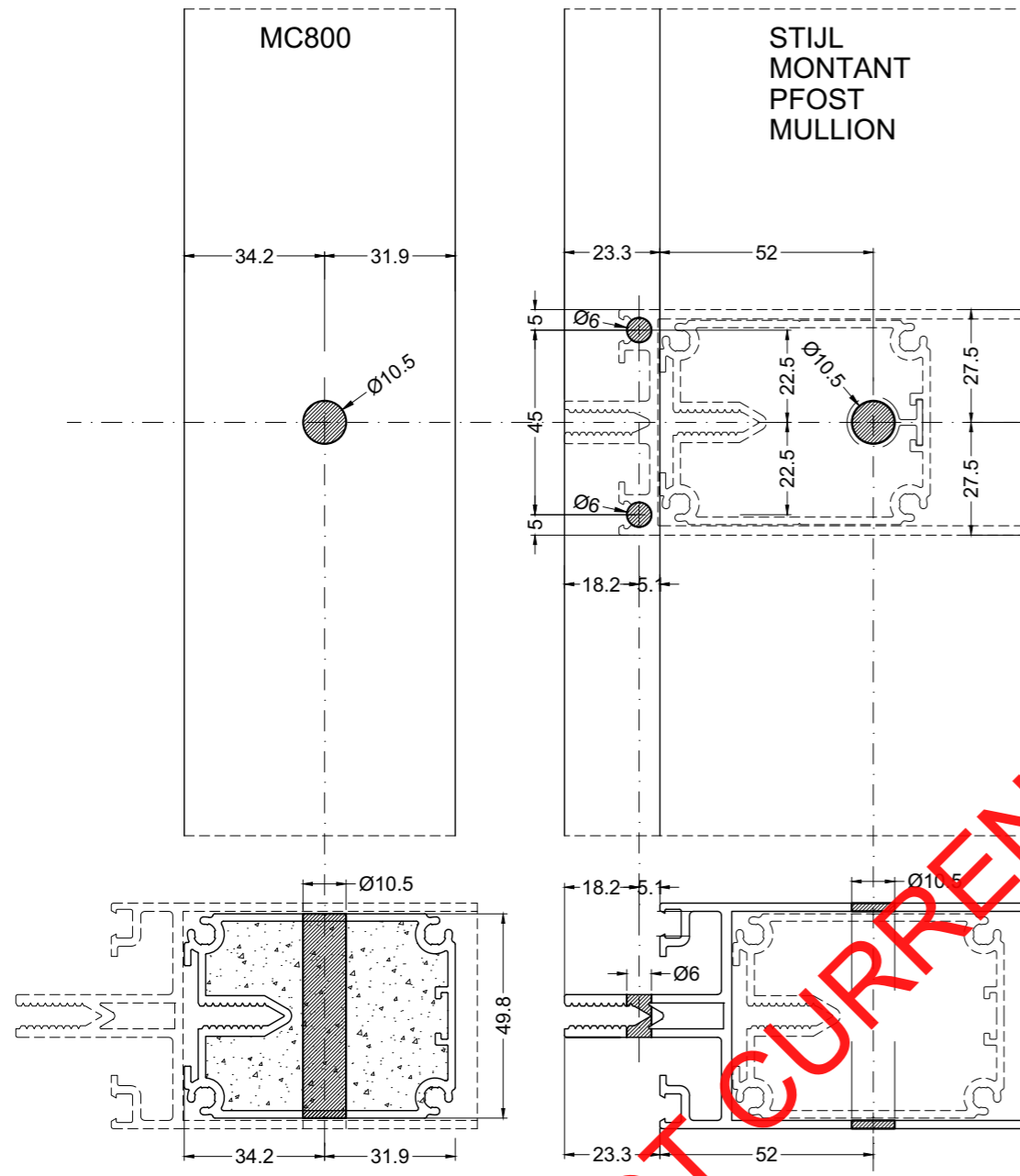
MCF\_51

# MC-WALL

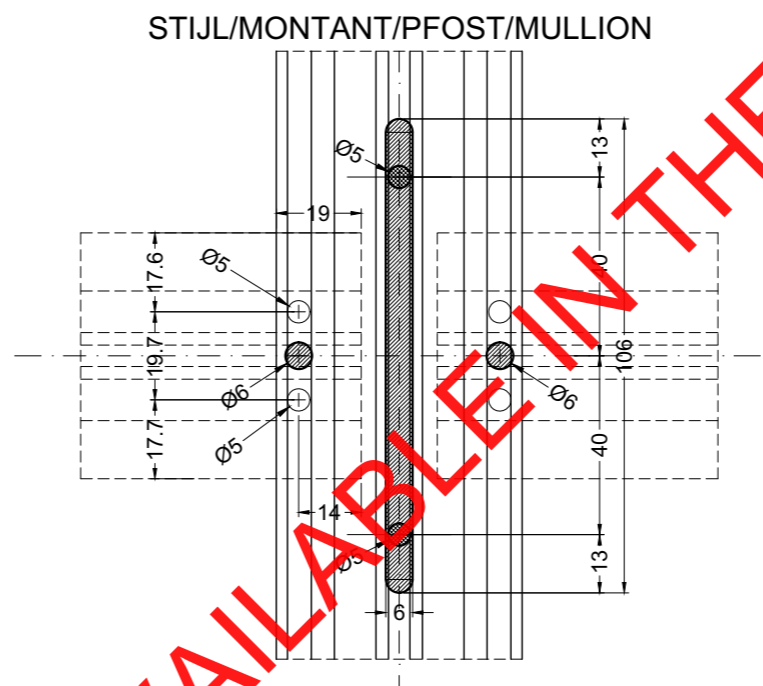
MONTAGE MC FIRE  
MONTAGE MC FIRE  
MONTAGE MC FIRE  
MOUNTING MC FIRE



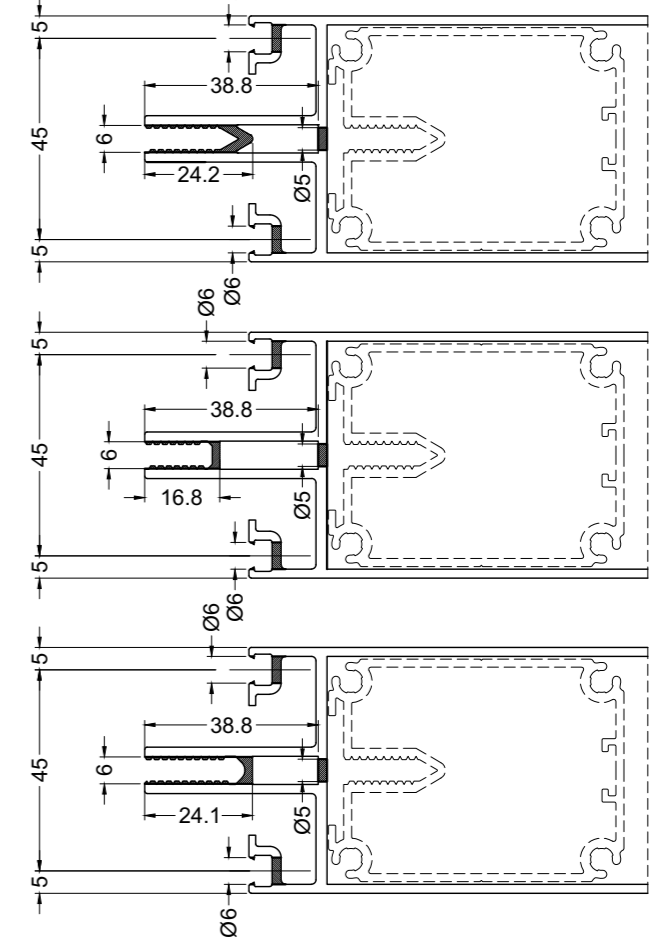
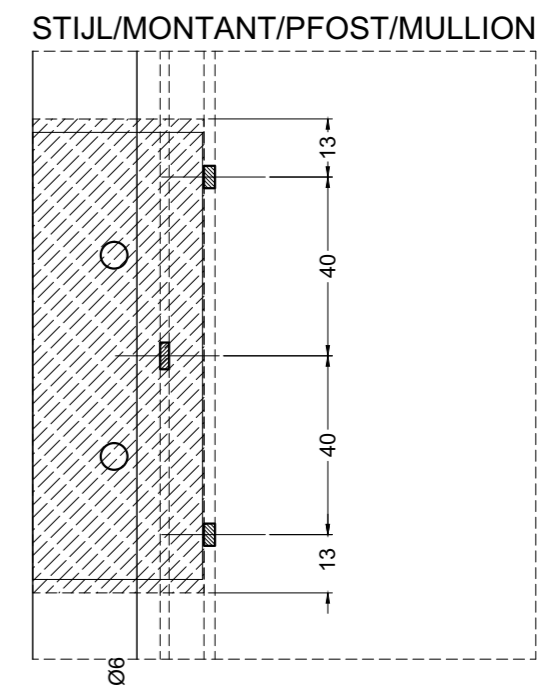
BEWERKINGEN MC FIRE  
 OPERATIONS MC FIRE  
 BEARBEITUNGEN MC FIRE  
 MACHININGS MC FIRE



BORING Ø6 & Ø10 VOOR VERBINDINGSTUKKEN  
 FORAGE Ø6 & Ø10 POUR PIÈCES DE JONCTION  
 BOHRUNG Ø6 & Ø10 FÜR VERBINDUNGSTEILEN  
 MACHINING Ø6 & Ø10 FOR CONNECTION PIECES



BEWERKING VOOR ACMC797  
 OPERATION FOR ACMC797  
 BEARBEITUNG FÜR ACMC797  
 MACHINING FOR ACMC797



NOT CURRENTLY AVAILABLE IN THE UK

# MC-WALL

OVERZICHT ACCESSOIRES MC FIRE  
 APERCU ACCESSOIRES MC FIRE  
 UBERSICHT ZUBEHOR MC FIRE  
 OVERVIEW ACCESSORIES MC FIRE

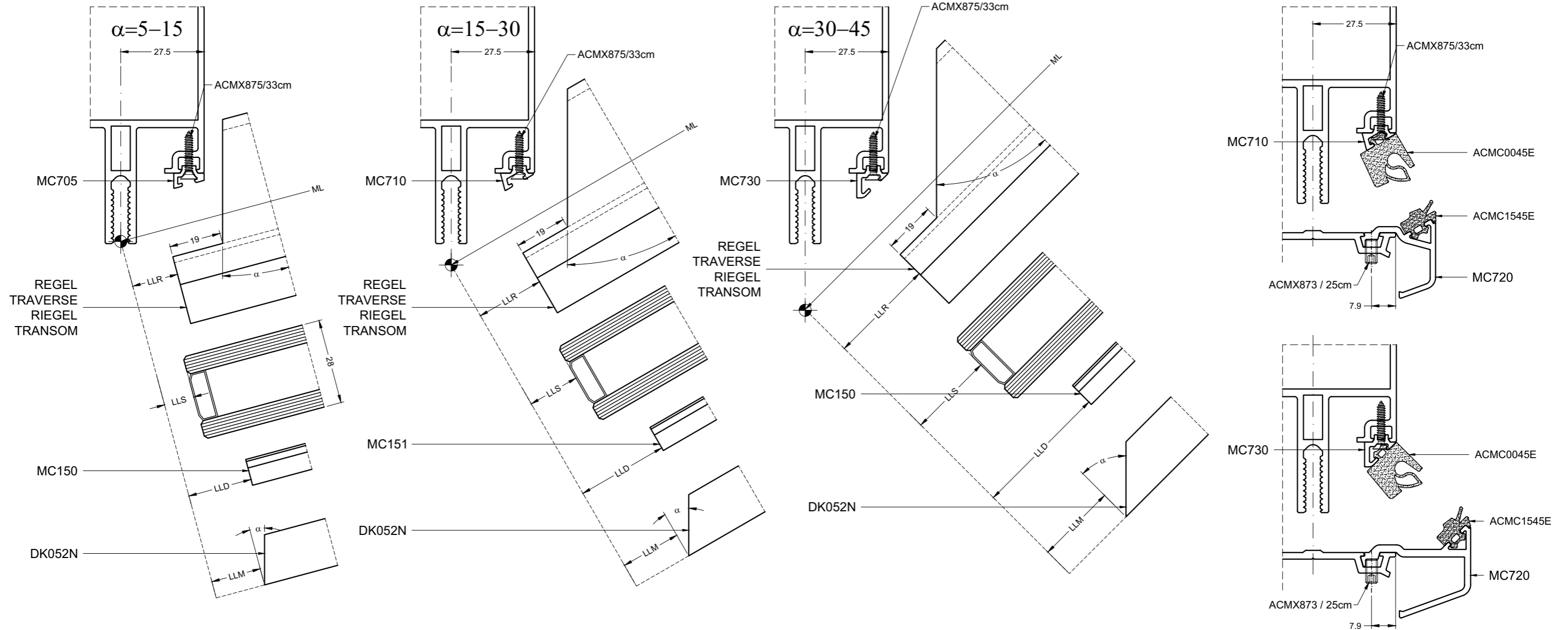
	short screws		long screws	
	M	T	M	T
<b>M</b> STILEN MONTANTS PFOSTEN MULLIONS				
<b>T</b> REGELS TRAVERSES RIEGEL TRANSOMS				
D [mm]	15		23	
MC008	M/T		M/T	
MC009	M/T		Mx2/Tx2	
ACMC151	M/T		M/T	
ACMC702			T	
ACMC704	T			
ACMC712			M	
ACMC714	M			
ACMC780 ACMC787	ACMC779		ACMC780	
ACMC6338-ACMC6370 short screws	ACMC6332		ACMC6338	
ACMC111	M		M	
ACMC6370-ACMC63120 long screws	ACMC6360/T	ACMC6370/M	ACMC6360/T	ACMC6380/M
ACMC2020 - ACMC2060	ACMC2020/T	ACMC2040/M	ACMC2030/T	ACMC2050/M

	short screws		long screws		short screws		long screws		short screws		long screws				
	M	T	M	T	M	T	M	T	M	T	M	T			
<b>M</b> STILEN MONTANTS PFOSTEN MULLIONS															
<b>T</b> REGELS TRAVERSES RIEGEL TRANSOMS															
D [mm]	24	25	26	27	28	29	31	32	33	34	35	36	37	38	39
MC006			M/T		M/T		M/T		M/T		M/T				
MC005			M/T		M/T		M/T		M/T		M/T				
ACMC720			M/T		M/T		M/T		M/T		M/T				
ACMC780 ACMC787			ACMC781		ACMC782		ACMC783		ACMC784		ACMC785				
ACMC6338-ACMC6370 short screws			ACMC6338		ACMC6345		ACMC6350		ACMC6355		ACMC6360				
ACMC111			M		M		M		M		M				
ACMC6370-ACMC63120 long screws	ACMC6370/T	ACMC6390/M	ACMC6370/T	ACMC6390/M	ACMC6370/T	ACMC6390/M	ACMC6370/T	ACMC6390/M	ACMC6380/T	ACMC63100/M	ACMC63100/M	ACMC63100/M			
ACMC2020 - ACMC2060	ACMC2040/T	ACMC2050/M	ACMC2040/T	ACMC2060/M	ACMC2040/T	ACMC2060/M	ACMC2040/T	ACMC2060/M	ACMC2050/T	ACMC2060/M	ACMC2050/T	ACMC2060/M			





	short screws		long screws		short screws		long screws		short screws		long screws							
	M	T	M	T	M	T	M	T	M	T	M	T						
<b>M</b> STILEN MONTANTS PFOSTEN MULLIONS																		
<b>T</b> REGELS TRAVERSES RIEGEL TRANSOMS																		
D [mm]	40	42	43	44	45	46	47	48	49	50	51	52	53	54	55	56	57	58
MC006			M/T		Mx2/Tx2		Mx2/Tx2		Mx2/Tx2		Mx3/Tx3							
MC005			M/T		M/T		M/T		M/T		M/T							
ACMC720			M/T		M/T		M/T		M/T		M/T							
ACMC780 ACMC787			ACMC784		ACMC785		ACMC786		ACMC787		ACMC788							
ACMC6338-ACMC6370 short screws			ACMC6360		ACMC6360		ACMC6370		ACMC6370		ACMC6370							
ACMC111			Mx2 / T		M		Mx2 / T		M		M							
ACMC6370-ACMC63120 long screws	ACMC6380/T	ACMC63100/M	ACMC6390/T	ACMC63100/M	ACMC6390/T	ACMC63100/M	ACMC6390/T	ACMC63100/M	ACMC63100/T	ACMC63120/M	ACMC63120/M	ACMC63120/M						
ACMC2020 - ACMC2060	ACMC2050/T	(ACMC2030, ACMC2040)/M	ACMC2060/T	(ACMC2030, ACMC2040)/M	ACMC2060/T	(2x ACMC2040)/M	ACMC2060/T	(2x ACMC2040)/M	ACMC2060/T	(2x ACMC2040)/M	ACMC2060/T	(2x ACMC2040)/M						



FACETTEN  
 FACETTES  
 FACETTEN  
 FACETS



LR = ML - LLR - RLR
LS = ML - LLS - RLS
LM = ML - LLM - RLM
LD = ML - LLD - RLD

-  BINNENRUBBER OP DE STIJL MOET ACMC702 ZIJN  
 MONTEREN BINNENSTE HOEKPROFIELEN - ACMX875 ELKE 33CM  
 MONTEREN BUITENSTE HOEKPROFIELEN - ACMX873 ELKE 25CM  
 MONTEREN BUITENSTE KLEMLATTEN - ACMC63XX (zie glastabel) ELKE 25CM
-  JOINT INTERIEUR SUR TRAVERSE DOIT ETRE ACMC702  
 MONTAGE PROFILS CORNIERES INTERIEUR - ACMX875 CHAQUE 33CM  
 MONTAGE PROFILS CORNIERES EXTERIEUR - ACMX873 CHAQUE 25CM  
 MONTAGE SUPPORTS EXTERIEUR - ACMC63XX (voir tableau de vitrages) CHAQUE 25CM
-  INNEN GUMMI AN PFOST MUSS ACMC702 SEIN  
 MONTAGE INNEN ECKPROFIELEN - ACMX875 JEDER 33CM  
 MONTAGE AUSSEN ECKPROFIELEN - ACMX873 JEDER 25CM  
 MONTAGE AUSSEN TRAGER - ACMC63XX (siehe Verglasungstabelle) JEDER 25CM
-  INSIDE GASKET ON TRANSOM MUST BE ACMC702  
 ASSEMBLING INSIDE ANGLE PROFILES - ACMX875 EVERY 33CM  
 ASSEMBLING OUTSIDE ANGLE PROFILES - ACMX873 EVERY 25CM  
 ASSEMBLING OUTSIDE SUB-PROFILES - ACMC63XX (see glazing table) EVERY 25CM

MCF\_55





WINDDRUK: 600N/m<sup>2</sup>  
 PRESSION DU VENT: 600N/m<sup>2</sup>  
 WINDDRUCK: 600N/m<sup>2</sup>  
 WIND PRESSURE: 600N/m<sup>2</sup>

BOUWHOOGE < 10m  
 HAUTEUR DU BATIMENT < 10m  
 BAUHOHE < 10m  
 BUILDING HEIGHT < 10m

L(cm)	a of/ou/oder/or b (cm)																																		
	20	30	40	50	60	70	80	90	100	110	120	130	140	150	160	170	180	190	200	210	220	230	240	250	260	270	280	290	300	310	320	330	340	350	
100	0,7	1,0	1,3	1,7	2,0	2,3	2,7	3,0	3,3	3,7	4,0	4,4	4,7	5,0	5,4	5,7	6,0	6,4	6,7	7,0	7,4	7,7	8,0	8,4	8,7	9,0	9,4	9,7	10,0	10,4	10,7	11,0	11,4	11,7	
110	0,9	1,3	1,8	2,2	2,7	3,1	3,6	4,0	4,5	4,9	5,3	5,8	6,2	6,7	7,1	7,6	8,0	8,5	8,9	9,4	9,8	10,2	10,7	11,1	11,6	12,0	12,5	12,9	13,4	13,8	14,3	14,7	15,2	15,6	
120	1,2	1,7	2,3	2,9	3,5	4,1	4,6	5,2	5,8	6,4	6,9	7,5	8,1	8,7	9,3	9,8	10,4	11,0	11,6	12,2	12,7	13,3	13,9	14,5	15,0	15,6	16,2	16,8	17,4	17,9	18,5	19,1	19,7	20,3	
130	1,5	2,2	2,9	3,7	4,4	5,1	5,9	6,6	7,4	8,1	8,8	9,6	10,3	11,0	11,8	12,5	13,2	14,0	14,7	15,4	16,2	16,9	17,7	18,4	19,1	19,9	20,6	21,3	22,1	22,8	23,5	24,3	25,0	25,7	
140	1,8	2,8	3,7	4,6	5,5	6,4	7,4	8,3	9,2	10,1	11,0	11,9	12,9	13,8	14,7	15,6	16,5	17,5	18,4	19,3	20,2	21,1	22,1	23,0	23,9	24,8	25,7	26,6	27,6	28,5	29,4	30,3	31,2	32,2	
150	2,3	3,4	4,5	5,7	6,8	7,9	9,0	10,2	11,3	12,4	13,6	14,7	15,8	17,0	18,1	19,2	20,3	21,5	22,6	23,7	24,9	26,0	27,1	28,3	29,4	30,5	31,6	32,8	33,9	35,0	36,2	37,3	38,4	39,6	
160	2,7	4,1	5,5	6,9	8,2	9,6	11,0	12,3	13,7	15,1	16,5	17,8	19,2	20,6	21,9	23,3	24,7	26,1	27,4	28,8	30,2	31,5	32,9	34,3	35,7	37,0	38,4	39,8	41,1	42,5	43,9	45,3	46,6	48,0	
170	3,3	4,9	6,6	8,2	9,9	11,5	13,2	14,8	16,4	18,1	19,7	21,4	23,0	24,7	26,3	28,0	29,6	31,3	32,9	34,5	36,2	37,8	39,5	41,1	42,8	44,4	46,1	47,7	49,3	51,0	52,6	54,3	55,9	57,6	
180	3,9	5,9	7,8	9,8	11,7	13,7	15,6	17,6	19,5	21,5	23,4	25,4	27,3	29,3	31,2	33,2	35,1	37,1	39,1	41,0	43,0	44,9	46,9	48,8	50,8	52,7	54,7	56,6	58,6	60,5	62,5	64,4	66,4	68,3	
190	4,6	6,9	9,2	11,5	13,8	16,1	18,4	20,7	23,0	25,3	27,6	29,9	32,2	34,4	36,7	39,0	41,3	43,6	45,9	48,2	50,5	52,8	55,1	57,4	59,7	62,0	64,3	66,6	68,9	71,2	73,5	75,8	78,1	80,4	
200	5,4	8,0	10,7	13,4	16,1	18,8	21,4	24,1	26,8	29,5	32,1	34,8	37,5	40,2	42,9	45,5	48,2	50,9	53,6	56,3	58,9	61,6	64,3	67,0	69,6	72,3	75,0	77,7	80,4	83,0	85,7	88,4	91,1	93,8	
210	6,2	9,3	12,4	15,5	18,6	21,7	24,8	27,9	31,0	34,1	37,2	40,3	43,4	46,5	49,6	52,7	55,8	58,9	62,0	65,1	68,2	71,3	74,4	77,5	80,6	83,7	86,8	89,9	93,0	96,1	99,2	102,3	105,4	108,5	
220	7,1	10,7	14,3	17,8	21,4	25,0	28,5	32,1	35,7	39,2	42,8	46,3	49,9	53,5	57,0	60,6	64,2	67,7	71,3	74,9	78,4	82,0	85,6	89,1	92,7	96,3	99,8	103,4	107,0	110,5	114,1	117,7	121,2	124,8	
230	8,1	12,2	16,3	20,4	24,4	28,5	32,6	36,7	40,7	44,8	48,9	53,0	57,0	61,1	65,2	69,3	73,3	77,4	81,5	85,5	89,6	93,7	97,8	101,8	105,9	110,0	114,1	118,1	122,2	126,3	130,4	134,4	138,5	142,6	
240	9,3	13,9	18,5	23,1	27,8	32,4	37,0	41,7	46,3	50,9	55,5	60,2	64,8	69,4	74,1	78,7	83,3	87,9	92,6	97,2	101,8	106,5	111,1	115,7	120,3	125,0	129,6	134,2	138,9	143,5	148,1	152,7	157,4	162,0	
250	10,9	16,3	21,8	27,2	32,7	38,1	43,6	49,0	54,5	59,9	65,4	70,8	76,3	81,7	87,2	92,6	98,1	103,5	109,0	114,4	119,9	125,3	130,8	136,2	141,7	147,1	152,6	158,0	163,5	168,9	174,4	179,8	185,3	190,7	
260	12,8	19,1	25,5	31,9	38,3	44,6	51,0	57,4	63,8	70,1	76,5	82,9	89,3	95,6	102,0	108,4	114,8	121,1	127,5	133,9	140,3	146,6	153,0	159,4	165,8	172,1	178,5	184,9	191,3	197,6	204,0	210,4	216,8	223,1	
270	14,8	22,2	29,7	37,1	44,5	51,9	59,3	66,7	74,1	81,6	89,0	96,4	103,8	111,2	118,6	126,0	133,5	140,9	148,3	155,7	163,1	170,5	177,9	185,4	192,8	200,2	207,6	215,0	222,4	229,8	237,3	244,7	252,1	259,5	
280	17,2	25,7	34,3	42,9	51,5	60,0	68,6	77,2	85,8	94,3	102,9	111,5	120,1	128,6	137,2	145,8	154,4	162,9	171,5	180,1	188,7	197,2	205,8	214,4	223,0	231,5	240,1	248,7	257,3	265,8	274,4	283,0	291,6	300,1	
290	19,7	29,6	39,5	49,3	59,2	69,1	78,9	88,8	98,7	108,5	118,4	128,3	138,1	148,0	157,9	167,7	177,6	187,5	197,3	207,2	217,1	226,9	236,8	246,7	256,5	266,4	276,3	286,1	296,0	305,9	315,8	325,6	335,5	345,4	
300	22,6	33,9	45,2	56,5	67,8	79,1	90,4	101,7	113,0	124,3	135,6	146,9	158,2	169,5	180,8	192,1	203,4	214,7	226,0	237,3	248,6	259,9	271,2	282,5	293,8	305,1	316,4	327,7	339,0	350,3	361,6	372,9	384,2	395,5	
310	25,8	38,7	51,5	64,4	77,3	90,2	103,1	116,0	128,8	141,7	154,6	167,5	180,4	193,3	206,1	219,0	231,9	244,8	257,7	270,6	283,4	296,3	309,2	322,1	335,0	347,9	360,8	373,6	386,5	399,4	412,3	425,2	438,1	450,9	
320	29,3	43,9	58,5	73,1	87,8	102,4	117,0	131,7	146,3	160,9	175,5	190,2	204,8	219,4	234,1	248,7	263,3	277,9	292,6	307,2	321,8	336,4	351,1	365,7	380,3	395,0	409,6	424,2	438,8	453,4	468,1	482,7	497,4	512,0	
330	33,1	49,6	66,2	82,7	99,3	115,8	132,4	148,9	165,4	182,0	198,5	215,1	231,6	248,2	264,7	281,3	297,8	314,3	330,9	347,4	364,0	380,5	397,1	413,6	430,2	446,7	463,3	479,8	496,3	512,9	529,4	546,0	562,5	579,1	
340	37,3	55,9	74,6	93,2	111,9	130,5	149,1	167,8	186,4	205,1	223,7	242,4	261,0	279,6	298,3	316,9	335,6	354,2	372,9	391,5	410,1	428,8	447,4	466,1	484,7	503,4	522,0	540,6	559,3	577,9	596,6	615,2	633,9	652,5	
350	41,9	62,8	83,7	104,7	125,6	146,5	167,5	188,4	209,4	230,3	251,2	272,2	293,1	314,0	335,0	355,9	376,8	397,8	418,7	439,6	460,6	481,5	502,4	523,4	544,3	565,2	586,2	607,1	628,1	649,0	669,9	690,9	711,8	732,7	
360	46,9	70,3	93,7	117,2	140,6	164,0	187,5	210,9	234,3	257,8	281,2	304,6	328,1	351,5	374,9	398,3	421,8	445,2	468,6	492,1	515,5	538,9	562,4	585,8	609,2	632,7	656,1	679,5	703,0	726,4	749,8	773,3	796,7	820,1	
370	52,3	78,4	104,6	130,7	156,9	183,0	209,2	235,3	261,5	287,6	313,8	339,9	366,0	392,2	418,3	444,5	470,6	496,8	522,9	549,1	575,2	601,4	627,5	653,7	679,8	705,9	732,1	758,2	784,3	810,4	836,5	862,6	888,7	914,8	
380	58,2	87,3	116,4	145,4	174,5	203,6	232,7	261,8	290,9	320,0	349,1	378,2	407,3	436,3	465,4	494,5	523,6	552,7	581,8	610,9	640,0	669,1	698,1	727,2	756,3	785,4	814,5	843,6	872,7	901,8	930,9	960,0	989,1	1018,1	
390	64,5	96,8	129,1	161,4	193,6	225,9	258,2	290,5	322,7	355,0	387,3	419,6	451,8	484,1	516,4	548,7	580,9	613,2	645,5	677,8	710,0	742,3	774,6	806,9	839,1	871,4	903,7	936,0	968,2	1000,5	1032,8	1065,1	1097,3	1129,6	
400	71,4	107,1	142,9	178,6	214,3	250,0	285,7	321,4	357,1	392,8	428,5	464,2	500,0	535,7	571,4	607,1	642,9	678,6	714,3	750,0	785,7	821,4	857,1	892,8	928,5	964,3	1000,0	1035,7	1071,4	1107,1	1142,9	1178,6	1214,3	1250,0	
410	78,8	118,3	157,7	197,1	236,5	276,0	315,4	354,8	394,2	433,6	473,1	512,5	551,9	591,3	630,8	670,2	709,6	749,0	788,4	827,9	867,3	906,7	946,1	985,5	1025,0	1064,4	1103,8	1143,2	1182,7	1222,1	1261,5	1300,9	1340,3	1379,8	
420	86,8	130,2	173,6	217,1	260,5	303,9	347,3	390,7	434,1	477,5	520,9	564,3	607,8	651,2	694,6	738,0	781,4	824,8	868,2	911,6	955,0	998,4	1041,9	1085,3	1128,7	1172,1	1215,5	1258,9	1302,3	1345,7	1389,2	1432,6	1476,0	1519,4	
430	95,4	143,1	190,8	238,5	286,2	333,9	381,6	429,3	477,0	524,6	572,3	620,0	667,7	715,4	763,1	810,8	858,5	906,2	953,9	1001,6	1049,3	1097,0	1144,7	1192,4	1240,1	1287,8	1335,5	1383,2	1430,9	1478,6	1526,3	1573,9	1621,6	1669,3	
440	104,6	156,9	209,2	261,4	313,7	366,0	418,3	470,6	522,9	575,2	627,5	679,8	732,1	784,4	836,6	888,9	941,2	993,5	1045,8	1098,1	1150,4	1202,7	1255,0	1307,3	1359,6	1411,9	1464,2	1516,5	1568,8	1621,1	1673,4	1725,7	1778		

# MC-WALL

WINDDRUK: 750N/m<sup>2</sup>  
 PRESSION DU VENT: 750N/m<sup>2</sup>  
 WINDDRUCK: 750N/m<sup>2</sup>  
 WIND PRESSURE: 750N/m<sup>2</sup>

BOUWHOOGE < 18m  
 HAUTEUR DU BATIMENT < 18m  
 BAUHOHE < 18m  
 BUILDING HEIGHT < 18m

L(cm)	a of/ou/oder/or b (cm)																																	
	20	30	40	50	60	70	80	90	100	110	120	130	140	150	160	170	180	190	200	210	220	230	240	250	260	270	280	290	300	310	320	330	340	350
100	0,8	1,3	1,7	2,1	2,5	2,9	3,3	3,8	4,2	4,6	5,0	5,4	5,9	6,3	6,7	7,1	7,5	8,0	8,4	8,8	9,2	9,6	10,0	10,5	10,9	11,3	11,7	12,1	12,6	13,0	13,4	13,8	14,2	14,6
110	1,1	1,7	2,2	2,8	3,3	3,9	4,5	5,0	5,6	6,1	6,7	7,2	7,8	8,4	8,9	9,5	10,0	10,6	11,1	11,7	12,3	12,8	13,4	13,9	14,5	15,0	15,6	16,2	16,7	17,3	17,8	18,4	18,9	19,5
120	1,4	2,2	2,9	3,6	4,3	5,1	5,8	6,5	7,2	8,0	8,7	9,4	10,1	10,8	11,6	12,3	13,0	13,7	14,5	15,2	15,9	16,6	17,4	18,1	18,8	19,5	20,3	21,0	21,7	22,4	23,1	23,9	24,6	25,3
130	1,8	2,8	3,7	4,6	5,5	6,4	7,4	8,3	9,2	10,1	11,0	12,0	12,9	13,8	14,7	15,6	16,6	17,5	18,4	19,3	20,2	21,1	22,1	23,0	23,9	24,8	25,7	26,7	27,6	28,5	29,4	30,3	31,3	32,2
140	2,3	3,4	4,6	5,7	6,9	8,0	9,2	10,3	11,5	12,6	13,8	14,9	16,1	17,2	18,4	19,5	20,7	21,8	23,0	24,1	25,3	26,4	27,6	28,7	29,9	31,0	32,2	33,3	34,5	35,6	36,8	37,9	39,0	40,2
150	2,8	4,2	5,7	7,1	8,5	9,9	11,3	12,7	14,1	15,5	17,0	18,4	19,8	21,2	22,6	24,0	25,4	26,8	28,3	29,7	31,1	32,5	33,9	35,3	36,7	38,1	39,6	41,0	42,4	43,8	45,2	46,6	48,0	49,4
160	3,4	5,1	6,9	8,6	10,3	12,0	13,7	15,4	17,1	18,9	20,6	22,3	24,0	25,7	27,4	29,1	30,9	32,6	34,3	36,0	37,7	39,4	41,1	42,9	44,6	46,3	48,0	49,7	51,4	53,1	54,9	56,6	58,3	60,0
170	4,1	6,2	8,2	10,3	12,3	14,4	16,4	18,5	20,6	22,6	24,7	26,7	28,8	30,8	32,9	35,0	37,0	39,1	41,1	43,2	45,2	47,3	49,3	51,4	53,5	55,5	57,6	59,6	61,7	63,7	65,8	67,9	69,9	72,0
180	4,9	7,3	9,8	12,2	14,6	17,1	19,5	22,0	24,4	26,8	29,3	31,7	34,2	36,6	39,1	41,5	43,9	46,4	48,8	51,3	53,7	56,1	58,6	61,0	63,5	65,9	68,3	70,8	73,2	75,7	78,1	80,5	83,0	85,4
190	5,7	8,6	11,5	14,4	17,2	20,1	23,0	25,8	28,7	31,6	34,4	37,3	40,2	43,1	45,9	48,8	51,7	54,5	57,4	60,3	63,2	66,0	68,9	71,8	74,6	77,5	80,4	83,2	86,1	89,0	91,9	94,7	97,6	100,5
200	6,7	10,0	13,4	16,7	20,1	23,4	26,8	30,1	33,5	36,8	40,2	43,5	46,9	50,2	53,6	56,9	60,3	63,6	67,0	70,3	73,7	77,0	80,4	83,7	87,1	90,4	93,8	97,1	100,4	103,8	107,1	110,5	113,8	117,2
210	7,8	11,6	15,5	19,4	23,3	27,1	31,0	34,9	38,8	42,6	46,5	50,4	54,3	58,1	62,0	65,9	69,8	73,6	77,5	81,4	85,3	89,1	93,0	96,9	100,8	104,7	108,5	112,4	116,3	120,2	124,0	127,9	131,8	135,7
220	8,9	13,4	17,8	22,3	26,7	31,2	35,7	40,1	44,6	49,0	53,5	57,9	62,4	66,8	71,3	75,8	80,2	84,7	89,1	93,6	98,0	102,5	107,0	111,4	115,9	120,3	124,8	129,2	133,7	138,2	142,6	147,1	151,5	156,0
230	10,2	15,3	20,4	25,5	30,6	35,6	40,7	45,8	50,9	56,0	61,1	66,2	71,3	76,4	81,5	86,6	91,7	96,8	101,8	106,9	112,0	117,1	122,2	127,3	132,4	137,5	142,6	147,7	152,8	157,9	163,0	168,0	173,1	178,2
240	11,6	17,4	23,1	28,9	34,7	40,5	46,3	52,1	57,9	63,6	69,4	75,2	81,0	86,8	92,6	98,4	104,1	109,9	115,7	121,5	127,3	133,1	138,9	144,6	150,4	156,2	162,0	167,8	173,6	179,4	185,1	190,9	196,7	202,5
250	13,6	20,4	27,2	34,1	40,9	47,7	54,5	61,3	68,1	74,9	81,7	88,6	95,4	102,2	109,0	115,8	122,6	129,4	136,2	143,0	149,9	156,7	163,5	170,3	177,1	183,9	190,7	197,5	204,3	211,1	217,9	224,7	231,5	238,3
260	15,9	23,9	31,9	39,8	47,8	55,8	63,8	71,7	79,7	87,7	95,6	103,6	111,6	119,5	127,5	135,5	143,4	151,4	159,4	167,3	175,3	183,3	191,3	199,2	207,2	215,2	223,1	231,1	239,1	247,0	255,0	263,0	270,9	278,9
270	18,5	27,8	37,1	46,3	55,6	64,9	74,1	83,4	92,7	101,9	111,2	120,5	129,7	139,0	148,3	157,5	166,8	176,1	185,4	194,6	203,9	213,2	222,4	231,7	241,0	250,2	259,5	268,8	278,0	287,3	296,6	305,8	315,1	324,4
280	21,4	32,2	42,9	53,6	64,3	75,0	85,8	96,5	107,2	117,9	128,6	139,3	150,1	160,8	171,5	182,2	192,9	203,7	214,4	225,1	235,8	246,5	257,3	268,0	278,7	289,4	300,1	310,8	321,6	332,3	343,0	353,7	364,4	375,2
290	24,7	37,0	49,3	61,7	74,0	86,3	98,7	111,0	123,3	135,7	148,0	160,3	172,7	185,0	197,3	209,7	222,0	234,3	246,7	259,0	271,3	283,7	296,0	308,4	320,7	333,0	345,4	357,7	370,0	382,4	394,7	407,0	419,4	431,7
300	28,3	42,4	56,5	70,6	84,8	98,9	113,0	127,1	141,3	155,4	169,5	183,6	197,8	211,9	226,0	240,1	254,3	268,4	282,5	296,6	310,8	324,9	339,0	353,1	367,3	381,4	395,5	409,6	423,8	437,9	452,0	466,1	480,3	494,4
310	32,2	48,3	64,4	80,5	96,6	112,7	128,8	144,9	161,0	177,2	193,3	209,4	225,5	241,6	257,7	273,8	289,9	306,0	322,1	338,2	354,3	370,4	386,5	402,6	418,7	434,8	450,9	467,0	483,1	499,3	515,4	531,5	547,6	563,7
320	36,6	54,9	73,1	91,4	109,7	128,0	146,3	164,6	182,9	201,1	219,4	237,7	256,0	274,3	292,6	310,9	329,1	347,4	365,7	384,0	402,3	420,6	438,9	457,1	475,4	493,7	512,0	530,3	548,6	566,9	585,1	603,4	621,7	640,0
330	41,4	62,0	82,7	103,4	124,1	144,8	165,4	186,1	206,8	227,5	248,2	268,9	289,5	310,2	330,9	351,6	372,3	392,9	413,6	434,3	455,0	475,7	496,3	517,0	537,7	558,4	579,1	599,7	620,4	641,1	661,8	682,5	703,1	723,8
340	46,6	69,9	93,2	116,5	139,8	163,1	186,4	209,7	233,0	256,3	279,6	303,0	326,3	349,6	372,9	396,2	419,5	442,8	466,1	489,4	512,7	536,0	559,3	582,6	605,9	629,2	652,5	675,8	699,1	722,4	745,7	769,0	792,3	815,6
350	52,3	78,5	104,7	130,8	157,0	183,2	209,4	235,5	261,7	287,9	314,0	340,2	366,4	392,5	418,7	444,9	471,0	497,2	523,4	549,5	575,7	601,9	628,1	654,2	680,4	706,6	732,7	758,9	785,1	811,2	837,4	863,6	889,7	915,9
360	58,6	87,9	117,2	146,5	175,7	205,0	234,3	263,6	292,9	322,2	351,5	380,8	410,1	439,4	468,7	497,9	527,2	556,5	585,8	615,1	644,4	673,7	703,0	732,3	761,5	790,8	820,1	849,4	878,7	908,0	937,3	966,6	995,9	1025,2
370	65,4	98,0	130,7	163,4	196,1	228,8	261,5	294,1	326,8	359,5	392,2	424,9	457,6	490,2	522,9	555,6	588,3	621,0	653,7	686,4	719,0	751,7	784,4	817,1	849,8	882,4	915,1	947,8	980,5	1013,2	1045,8	1078,5	1111,2	1143,9
380	72,7	109,1	145,4	181,8	218,2	254,5	290,9	327,3	363,6	400,0	436,3	472,7	509,1	545,4	581,8	618,2	654,5	690,9	727,2	763,6	800,0	836,3	872,7	909,0	945,4	981,8	1018,1	1054,5	1090,9	1127,2	1163,6	1199,9	1236,3	1272,7
390	80,7	121,0	161,4	201,7	242,1	282,4	322,7	363,1	403,4	443,8	484,1	524,5	564,8	605,1	645,5	685,8	726,2	766,5	806,9	847,2	887,6	927,9	968,2	1008,6	1048,9	1089,3	1129,6	1170,0	1210,3	1250,6	1291,0	1331,3	1371,7	1412,0
400	89,3	133,9	178,6	223,2	267,9	312,5	357,1	401,8	446,4	491,1	535,7	580,4	625,0	669,6	714,3	758,9	803,6	848,2	892,9	937,5	982,1	1026,8	1071,4	1116,1	1160,7	1205,4	1250,1	1294,8	1339,3	1383,9	1428,6	1473,2	1517,9	1562,5
410	98,6	147,8	197,1	246,4	295,7	344,9	394,2	443,5	492,8	542,1	591,3	640,6	689,9	739,2	788,4	837,7	887,0	936,3	985,5	1034,8	1084,1	1133,4	1182,7	1231,9	1281,2	1330,5	1379,8	1429,0	1478,3	1527,6	1576,9	1626,2	1675,4	1724,7
420	108,5	162,8	217,1	271,3	325,6	379,8	434,1	488,4	542,6	596,9	651,2	705,4	759,7	814,0	868,2	922,5	976,7	1031,0	1085,3	1139,5	1193,8	1248,1	1302,3	1356,6	1410,9	1465,1	1519,4	1573,6	1627,9	1682,2	1736,4	1790,7	1845,0	1899,2
430	119,2	178,9	238,5	298,1	357,7	417,3	477,0	536,6	596,2	655,8	715,4	775,0	834,7	894,3	953,9	1013,5	1073,1	1132,8	1192,4	1252,0	1311,6	1371,2	1430,9	1490,5	1550,1	1609,7	1669,3	1729,0	1788,6	1848,2	1907,8	1967,4	2027,1	2086,7
440	130,7	196,1	261,4	326,8	392,2	457,5	522,9	588,3	653,6	719,0	784,3	849,7	915,1	980,4	1045,8	1111,1	1176,5	1241,9	1307,2	1372,6	1438,0	1503,3	1568,7	1634,0	1699,4	1764,8	1830,1							

WINDDRUK: 1000N/m<sup>2</sup>  
 PRESSION DU VENT: 1000N/m<sup>2</sup>  
 WINDDRUCK: 1000N/m<sup>2</sup>  
 WIND PRESSURE: 1000N/m<sup>2</sup>

BOUWHOOGTE < 50m  
 HAUTEUR DU BATIMENT < 50m  
 BAUHOE < 50m  
 BUILDING HEIGHT < 50m

L(cm)	a of/ou/oder/or b (cm)																																		
	20	30	40	50	60	70	80	90	100	110	120	130	140	150	160	170	180	190	200	210	220	230	240	250	260	270	280	290	300	310	320	330	340	350	
100	1,1	1,7	2,2	2,8	3,3	3,9	4,5	5,0	5,6	6,1	6,7	7,3	7,8	8,4	8,9	9,5	10,0	10,6	11,2	11,7	12,3	12,8	13,4	14,0	14,5	15,1	15,6	16,2	16,7	17,3	17,9	18,4	19,0	19,5	
110	1,5	2,2	3,0	3,7	4,5	5,2	5,9	6,7	7,4	8,2	8,9	9,7	10,4	11,1	11,9	12,6	13,4	14,1	14,9	15,6	16,3	17,1	17,8	18,6	19,3	20,1	20,8	21,5	22,3	23,0	23,8	24,5	25,3	26,0	
120	1,9	2,9	3,9	4,8	5,8	6,8	7,7	8,7	9,6	10,6	11,6	12,5	13,5	14,5	15,4	16,4	17,4	18,3	19,3	20,3	21,2	22,2	23,1	24,1	25,1	26,0	27,0	28,0	28,9	29,9	30,9	31,8	32,8	33,8	
130	2,5	3,7	4,9	6,1	7,4	8,6	9,8	11,0	12,3	13,5	14,7	15,9	17,2	18,4	19,6	20,8	22,1	23,3	24,5	25,7	27,0	28,2	29,4	30,7	31,9	33,1	34,3	35,6	36,8	38,0	39,2	40,5	41,7	42,9	
140	3,1	4,6	6,1	7,7	9,2	10,7	12,3	13,8	15,3	16,8	18,4	19,9	21,4	23,0	24,5	26,0	27,6	29,1	30,6	32,2	33,7	35,2	36,8	38,3	39,8	41,3	42,9	44,4	45,9	47,5	49,0	50,5	52,1	53,6	
150	3,8	5,7	7,5	9,4	11,3	13,2	15,1	17,0	18,8	20,7	22,6	24,5	26,4	28,3	30,1	32,0	33,9	35,8	37,7	39,6	41,4	43,3	45,2	47,1	49,0	50,9	52,7	54,6	56,5	58,4	60,3	62,2	64,0	65,9	
160	4,6	6,9	9,1	11,4	13,7	16,0	18,3	20,6	22,9	25,1	27,4	29,7	32,0	34,3	36,6	38,9	41,1	43,4	45,7	48,0	50,3	52,6	54,9	57,1	59,4	61,7	64,0	66,3	68,6	70,9	73,1	75,4	77,7	80,0	
170	5,5	8,2	11,0	13,7	16,4	19,2	21,9	24,7	27,4	30,2	32,9	35,6	38,4	41,1	43,9	46,6	49,3	52,1	54,8	57,6	60,3	63,1	65,8	68,5	71,3	74,0	76,8	79,5	82,2	85,0	87,7	90,5	93,2	96,0	
180	6,5	9,8	13,0	16,3	19,5	22,8	26,0	29,3	32,5	35,8	39,1	42,3	45,6	48,8	52,1	55,3	58,6	61,8	65,1	68,3	71,6	74,9	78,1	81,4	84,6	87,9	91,1	94,4	97,6	100,9	104,1	107,4	110,7	113,9	
190	7,7	11,5	15,3	19,1	23,0	26,8	30,6	34,4	38,3	42,1	45,9	49,8	53,6	57,4	61,2	65,1	68,9	72,7	76,6	80,4	84,2	88,0	91,9	95,7	99,5	103,3	107,2	111,0	114,8	118,7	122,5	126,3	130,1	134,0	
200	8,9	13,4	17,9	22,3	26,8	31,3	35,7	40,2	44,6	49,1	53,6	58,0	62,5	67,0	71,4	75,9	80,4	84,8	89,3	93,8	98,2	102,7	107,1	111,6	116,1	120,5	125,0	129,5	133,9	138,4	142,9	147,3	151,8	156,3	
210	10,3	15,5	20,7	25,8	31,0	36,2	41,3	46,5	51,7	56,8	62,0	67,2	72,4	77,5	82,7	87,9	93,0	98,2	103,4	108,5	113,7	118,9	124,0	129,2	134,4	139,5	144,7	149,9	155,0	160,2	165,4	170,5	175,7	180,9	
220	11,9	17,8	23,8	29,7	35,7	41,6	47,5	53,5	59,4	65,4	71,3	77,2	83,2	89,1	95,1	101,0	107,0	112,9	118,8	124,8	130,7	136,7	142,6	148,5	154,5	160,4	166,4	172,3	178,3	184,2	190,1	196,1	202,0	208,0	
230	13,6	20,4	27,2	33,9	40,7	47,5	54,3	61,1	67,9	74,7	81,5	88,3	95,1	101,8	108,6	115,4	122,2	129,0	135,8	142,6	149,4	156,2	163,0	169,7	176,5	183,3	190,1	196,9	203,7	210,5	217,3	224,1	230,8	237,6	
240	15,4	23,1	30,9	38,6	46,3	54,0	61,7	69,4	77,1	84,9	92,6	100,3	108,0	115,7	123,4	131,1	138,9	146,6	154,3	162,0	169,7	177,4	185,1	192,9	200,6	208,3	216,0	223,7	231,4	239,1	246,9	254,6	262,3	270,0	
250	18,2	27,2	36,3	45,4	54,5	63,6	72,7	81,7	90,8	99,9	109,0	118,1	127,2	136,2	145,3	154,4	163,5	172,6	181,7	190,8	199,9	208,9	218,0	227,1	236,2	245,2	254,3	263,4	272,5	281,6	290,6	299,7	308,8	317,9	
260	21,3	31,9	42,5	53,1	63,8	74,4	85,0	95,6	106,3	116,9	127,5	138,1	148,8	159,4	170,0	180,6	191,3	201,9	212,5	223,1	233,8	244,4	255,0	265,6	276,3	286,9	297,5	308,1	318,8	329,4	340,0	350,6	361,3	371,9	
270	24,7	37,1	49,4	61,8	74,1	86,5	98,9	111,2	123,6	135,9	148,3	160,6	173,0	185,4	197,7	210,1	222,4	234,8	247,1	259,5	271,8	284,2	296,6	308,9	321,3	333,6	346,0	358,3	370,7	383,1	395,4	407,8	420,1	432,5	
280	28,6	42,9	57,2	71,5	85,8	100,0	114,3	128,6	142,9	157,2	171,5	185,8	200,1	214,4	228,7	243,0	257,3	271,5	285,8	300,1	314,4	328,7	343,0	357,3	371,6	385,9	400,2	414,5	428,8	443,1	457,3	471,6	485,9	500,2	
290	32,9	49,3	65,8	82,2	98,7	115,1	131,6	148,0	164,5	180,9	197,3	213,8	230,2	246,7	263,1	279,6	296,0	312,5	328,9	345,4	361,8	378,2	394,7	411,1	427,6	444,0	460,5	476,9	493,4	509,8	526,3	542,7	559,1	575,6	
300	37,7	56,5	75,3	94,2	113,0	131,8	150,7	169,5	188,3	207,2	226,0	244,8	263,7	282,5	301,3	320,2	339,0	357,8	376,7	395,5	414,3	433,2	452,0	470,8	489,7	508,5	527,3	546,2	565,0	583,8	602,7	621,5	640,3	659,2	
310	42,9	64,4	85,9	107,4	128,8	150,3	171,8	193,3	214,7	236,2	257,7	279,2	300,6	322,1	343,6	365,0	386,5	408,0	429,5	450,9	472,4	493,9	515,4	536,8	558,3	579,8	601,3	622,7	644,2	665,7	687,1	708,6	730,1	751,6	
320	48,8	73,1	97,5	121,9	146,3	170,7	195,0	219,4	243,8	268,2	292,6	317,0	341,3	365,7	390,1	414,5	438,9	463,3	487,6	512,0	536,4	560,8	585,1	609,5	633,9	658,3	682,7	707,0	731,4	755,8	780,2	804,6	829,0	853,3	
330	55,1	82,7	110,3	137,9	165,4	193,0	220,6	248,2	275,7	303,3	330,9	358,5	386,0	413,6	441,2	468,8	496,3	523,9	551,5	579,1	606,6	634,2	661,8	689,4	716,9	744,5	772,1	799,7	827,2	854,8	882,4	910,0	937,5	965,1	
340	62,1	93,2	124,3	155,4	186,4	217,5	248,6	279,6	310,7	341,8	372,9	403,9	435,0	466,1	497,1	528,2	559,3	590,4	621,4	652,5	683,6	714,7	745,7	776,8	807,9	838,9	870,0	901,1	932,2	963,2	994,3	1025,4	1056,4	1087,5	
350	69,8	104,7	139,6	174,5	209,4	244,2	279,1	314,0	348,9	383,8	418,7	453,6	488,5	523,4	558,3	593,2	628,1	662,9	697,8	732,7	767,6	802,5	837,4	872,3	907,2	942,1	977,0	1011,9	1046,8	1081,6	1116,5	1151,4	1186,3	1221,2	
360	78,1	117,2	156,2	195,3	234,3	273,4	312,4	351,5	390,5	429,6	468,6	507,7	546,8	585,8	624,9	663,9	703,0	742,0	781,1	820,1	859,2	898,2	937,3	976,3	1015,4	1054,4	1093,5	1132,6	1171,6	1210,7	1249,7	1288,8	1327,8	1366,9	
370	87,2	130,7	174,3	217,9	261,5	305,0	348,6	392,2	435,8	479,3	522,9	566,5	610,1	653,7	697,2	740,8	784,4	828,0	871,5	915,1	958,7	1002,3	1045,8	1089,4	1133,0	1176,6	1220,2	1263,7	1307,3	1350,9	1394,5	1438,0	1481,6	1525,2	
380	97,0	145,4	193,9	242,4	290,9	339,4	387,9	436,3	484,8	533,3	581,8	630,3	678,8	727,2	775,7	824,2	872,7	921,2	969,7	1018,1	1066,6	1115,1	1163,6	1212,1	1260,5	1309,0	1357,5	1406,0	1454,5	1503,0	1551,4	1599,9	1648,4	1696,9	
390	107,6	161,4	215,2	269,0	322,7	376,5	430,3	484,1	537,9	591,7	645,5	699,3	753,1	806,9	860,7	914,4	968,2	1022,0	1075,8	1129,6	1183,4	1237,2	1291,0	1344,8	1398,6	1452,4	1506,1	1559,9	1613,7	1667,5	1721,3	1775,1	1828,9	1882,7	
400	119,0	178,6	238,1	297,6	357,1	416,7	476,2	535,7	595,2	654,8	714,3	773,8	833,3	892,9	952,4	1011,9	1071,4	1131,0	1190,5	1250,0	1309,5	1369,0	1428,6	1488,1	1547,6	1607,1	1666,7	1726,2	1785,7	1845,2	1904,8	1964,3	2023,8	2083,3	
410	131,4	197,1	262,8	328,5	394,2	459,9	525,6	591,3	657,0	722,7	788,4	854,1	919,8	985,5	1051,3	1117,0	1182,7	1248,4	1314,1	1379,8	1445,5	1511,2	1576,9	1642,6	1708,3	1774,0	1839,7	1905,4	1971,1	2036,8	2102,5	2168,2	2233,9	2299,6	
420	144,7	217,1	289,4	361,8	434,1	506,5	578,8	651,2	723,5	795,9	868,2	940,6	1012,9	1085,3	1157,6	1230,0	1302,3	1374,7	1447,0	1519,4	1591,7	1664,1	1736,4	1808,8	1881,1	1953,5	2025,8	2098,2	2170,5	2242,9	2315,3	2387,6	2460,0	2532,3	
430	159,0	238,5	318,0	397,5	477,0	556,4	635,9	715,4	794,9	874,4	953,9	1033,4	1112,9	1192,4	1271,9	1351,4	1430,9	1510,4	1589,9	1669,3	1748,8	1828,3	1907,8	1987,3	2066,8	2146,3	2225,8	2305,3	2384,8	2464,3	2543,8	2623,2	2702,7	2782,2	
440	174,3	261,4	348,6	435,7	522,9	610,0	697,2	784,3	871,5	958,6	1045,8	1132,9	12																						

# MC-WALL

WINDDRUK: 1750N/m<sup>2</sup>  
 PRESSION DU VENT: 1750N/m<sup>2</sup>  
 WINDDRUCK: 1750N/m<sup>2</sup>  
 WIND PRESSURE: 1750N/m<sup>2</sup>

BOUWHOOGTE > 50m  
 HAUTEUR DU BATIMENT > 50m  
 BAUHOHE > 50m  
 BUILDING HEIGHT > 50m

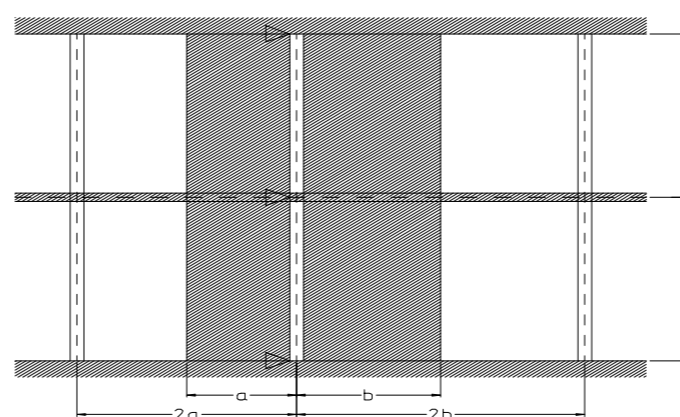
L(cm)	a off/ou/oder/or b (cm)																																					
	20	30	40	50	60	70	80	90	100	110	120	130	140	150	160	170	180	190	200	210	220	230	240	250	260	270	280	290	300	310	320	330	340	350				
100	2,0	2,9	3,9	4,9	5,9	6,8	7,8	8,8	9,8	10,7	11,7	12,7	13,7	14,6	15,6	16,6	17,6	18,6	19,5	20,5	21,5	22,5	23,4	24,4	25,4	26,4	27,3	28,3	29,3	30,3	31,3	32,2	33,2	34,2				
110	2,6	3,9	5,2	6,5	7,8	9,1	10,4	11,7	13,0	14,3	15,6	16,9	18,2	19,5	20,8	22,1	23,4	24,7	26,0	27,3	28,6	29,9	31,2	32,5	33,8	35,1	36,4	37,7	39,0	40,3	41,6	42,9	44,2	45,5				
120	3,4	5,1	6,8	8,4	10,1	11,8	13,5	15,2	16,9	18,6	20,3	21,9	23,6	25,3	27,0	28,7	30,4	32,1	33,8	35,4	37,1	38,8	40,5	42,2	43,9	45,6	47,3	48,9	50,6	52,3	54,0	55,7	57,4	59,1				
130	4,3	6,4	8,6	10,7	12,9	15,0	17,2	19,3	21,5	23,6	25,7	27,9	30,0	32,2	34,3	36,5	38,6	40,8	42,9	45,1	47,2	49,3	51,5	53,6	55,8	57,9	60,1	62,2	64,4	66,5	68,7	70,8	72,9	75,1				
140	5,4	8,0	10,7	13,4	16,1	18,8	21,4	24,1	26,8	29,5	32,2	34,8	37,5	40,2	42,9	45,6	48,2	50,9	53,6	56,3	59,0	61,6	64,3	67,0	69,7	72,4	75,0	77,7	80,4	83,1	85,8	88,4	91,1	93,8				
150	6,6	9,9	13,2	16,5	19,8	23,1	26,4	29,7	33,0	36,3	39,6	42,8	46,1	49,4	52,7	56,0	59,3	62,6	65,9	69,2	72,5	75,8	79,1	82,4	85,7	89,0	92,3	95,6	98,9	102,2	105,5	108,8	112,1	115,4				
160	8,0	12,0	16,0	20,0	24,0	28,0	32,0	36,0	40,0	44,0	48,0	52,0	56,0	60,0	64,0	68,0	72,0	76,0	80,0	84,0	88,0	92,0	96,0	100,0	104,0	108,0	112,0	116,0	120,0	124,0	128,0	132,0	136,0	140,0				
170	9,6	14,4	19,2	24,0	28,8	33,6	38,4	43,2	48,0	52,8	57,6	62,4	67,2	72,0	76,8	81,6	86,4	91,2	96,0	100,8	105,6	110,4	115,1	119,9	124,7	129,5	134,3	139,1	143,9	148,7	153,5	158,3	163,1	167,9				
180	11,4	17,1	22,8	28,5	34,2	39,9	45,6	51,3	57,0	62,6	68,3	74,0	79,7	85,4	91,1	96,8	102,5	108,2	113,9	119,6	125,3	131,0	136,7	142,4	148,1	153,8	159,5	165,2	170,9	176,6	182,3	187,9	193,6	199,3				
190	13,4	20,1	26,8	33,5	40,2	46,9	53,6	60,3	67,0	73,7	80,4	87,1	93,8	100,5	107,2	113,9	120,6	127,3	134,0	140,7	147,4	154,1	160,8	167,5	174,2	180,9	187,6	194,2	200,9	207,6	214,3	221,0	227,7	234,4				
200	15,6	23,4	31,3	39,1	46,9	54,7	62,5	70,3	78,1	85,9	93,7	101,5	109,3	117,1	125,0	132,8	140,6	148,4	156,2	164,1	171,9	179,7	187,5	195,3	203,1	210,9	218,8	226,6	234,4	242,2	250,0	257,8	265,6	273,4				
210	18,1	27,1	36,2	45,2	54,3	63,3	72,4	81,4	90,4	99,5	108,5	117,6	126,6	135,7	144,7	153,7	162,8	171,8	180,9	189,9	199,0	208,0	217,1	226,1	235,1	244,2	253,2	262,3	271,3	280,4	289,4	298,5	307,5	316,5				
220	20,8	31,2	41,6	52,0	62,4	72,8	83,2	93,6	104,0	114,4	124,8	135,2	145,6	156,0	166,4	176,8	187,2	197,6	208,0	218,4	228,8	239,2	249,6	260,0	270,4	280,8	291,2	301,6	312,0	322,4	332,8	343,1	353,5	363,9				
230	23,8	35,6	47,5	59,4	71,3	83,2	95,1	106,9	118,8	130,7	142,6	154,5	166,3	178,2	190,1	202,0	213,9	225,8	237,6	249,5	261,4	273,3	285,2	297,0	308,9	320,8	332,7	344,6	356,5	368,3	380,2	392,1	404,0	415,9				
240	27,0	40,5	54,0	67,5	81,0	94,5	108,0	121,5	135,0	148,5	162,0	175,5	189,0	202,5	216,0	229,5	243,0	256,5	270,0	283,5	297,0	310,5	324,0	337,5	351,0	364,5	378,0	391,5	405,0	418,5	432,0	445,5	459,0	472,5				
250	31,8	47,7	63,6	79,5	95,4	111,3	127,2	143,1	158,9	174,8	190,7	206,6	222,5	238,4	254,3	270,2	286,1	302,0	317,9	333,8	349,7	365,6	381,5	397,4	413,3	429,2	445,0	460,9	476,8	492,7	508,6	524,5	540,4	556,3				
260	37,2	55,8	74,4	93,0	111,6	130,2	148,8	167,3	185,9	204,5	223,1	241,7	260,3	278,9	297,5	316,1	334,7	353,3	371,9	390,5	409,1	427,7	446,3	464,9	483,5	502,0	520,6	539,2	557,8	576,4	595,0	613,6	632,2	650,8				
270	43,2	64,9	86,5	108,1	129,7	151,4	173,0	194,6	216,2	237,9	259,5	281,1	302,7	324,4	346,0	367,6	389,2	410,9	432,5	454,1	475,7	497,4	519,0	540,6	562,2	583,9	605,5	627,1	648,7	670,4	692,0	713,6	735,2	756,9				
280	50,0	75,0	100,0	125,1	150,1	175,1	200,1	225,1	250,1	275,1	300,1	325,1	350,1	375,2	400,2	425,2	450,2	475,2	500,2	525,2	550,2	575,2	600,3	625,3	650,3	675,3	700,3	725,3	750,3	775,3	800,3	825,3	850,4	875,4				
290	57,6	86,3	115,1	143,9	172,7	201,5	230,2	259,0	287,8	316,6	345,4	374,1	402,9	431,7	460,5	489,2	518,0	546,8	575,6	604,4	633,1	661,9	690,7	719,5	748,3	777,0	805,8	834,6	863,4	892,2	920,9	949,7	978,5	1007,3				
300	65,9	98,9	131,8	164,8	197,8	230,7	263,7	296,6	329,6	362,5	395,5	428,5	461,4	494,4	527,3	560,3	593,3	626,2	659,2	692,1	725,1	758,1	791,0	824,0	856,9	889,9	922,9	955,8	988,8	1021,7	1054,7	1087,6	1120,6	1153,6				
310	75,2	112,7	150,3	187,9	225,5	263,0	300,6	338,2	375,8	413,4	450,9	488,5	526,1	563,7	601,3	638,8	676,4	714,0	751,6	789,1	826,7	864,3	901,9	939,5	977,0	1014,6	1052,2	1089,8	1127,3	1164,9	1202,5	1240,1	1277,7	1315,2				
320	85,3	128,0	170,7	213,3	256,0	298,7	341,3	384,0	426,7	469,3	512,0	554,7	597,3	640,0	682,7	725,3	768,0	810,7	853,3	896,0	938,7	981,3	1024,0	1066,7	1109,3	1152,0	1194,7	1237,3	1280,0	1322,7	1365,3	1408,0	1450,7	1493,3				
330	96,5	144,8	193,0	241,3	289,5	337,8	386,0	434,3	482,6	530,8	579,1	627,3	675,6	723,8	772,1	820,3	868,6	916,8	965,1	1013,4	1061,6	1109,9	1158,1	1206,4	1254,6	1302,9	1351,1	1399,4	1447,7	1495,9	1544,2	1592,4	1640,7	1688,9				
340	108,8	163,1	217,5	271,9	326,3	380,6	435,0	489,4	543,8	598,1	652,5	706,9	761,3	815,6	870,0	924,4	978,8	1033,1	1087,5	1141,9	1196,3	1250,6	1305,0	1359,4	1413,8	1468,1	1522,5	1576,9	1631,3	1685,6	1740,0	1794,4	1848,8	1903,1				
350	122,1	183,2	244,2	305,3	366,4	427,4	488,5	549,5	610,6	671,7	732,7	793,8	854,8	915,9	977,0	1038,0	1099,1	1160,2	1221,2	1282,3	1343,3	1404,4	1465,5	1526,5	1587,6	1648,6	1709,7	1770,8	1831,8	1892,9	1953,9	2015,0	2076,1	2137,1				
360	136,7	205,0	273,4	341,7	410,1	478,4	546,8	615,1	683,4	751,8	820,1	888,5	956,8	1025,2	1093,5	1161,8	1230,2	1298,5	1366,9	1435,2	1503,6	1571,9	1640,3	1708,6	1776,9	1845,3	1913,6	1982,0	2050,3	2118,7	2187,0	2255,3	2323,7	2392,0				
370	152,5	228,8	305,0	381,3	457,6	533,8	610,1	686,3	762,6	838,9	915,1	991,4	1067,6	1143,9	1220,2	1296,4	1372,7	1448,9	1525,2	1601,5	1677,7	1754,0	1830,2	1906,5	1982,8	2059,0	2135,3	2211,5	2287,8	2364,1	2440,3	2516,6	2592,8	2669,1				
380	169,7	254,5	339,4	424,2	509,1	593,9	678,8	763,6	848,4	933,3	1018,1	1103,0	1187,8	1272,7	1357,5	1442,4	1527,2	1612,0	1696,9	1781,7	1866,6	1951,4	2036,3	2121,1	2206,0	2290,8	2375,6	2460,5	2545,3	2630,2	2715,0	2799,9	2884,7	2969,6				
390	188,3	282,4	376,5	470,7	564,8	658,9	753,1	847,2	941,3	1035,5	1129,6	1223,7	1317,9	1412,0	1506,1	1600,3	1694,4	1788,5	1882,7	1976,8	2071,0	2165,1	2259,2	2353,4	2447,5	2541,6	2635,8	2729,9	2824,0	2918,2								
400	208,3	312,5	416,7	520,8	625,0	729,2	833,3	937,5	1041,7	1145,8	1250,0	1354,2	1458,3	1562,5	1666,7	1770,8	1875,0	1979,2	2083,3	2187,5	2291,7	2395,8	2500,0	2604,2	2708,3	2812,5	2916,7											
410	230,0	344,9	459,9	574,9	689,9	804,9	919,8	1034,8	1149,8	1264,8	1379,8	1494,7	1609,7	1724,7	1839,7	1954,7	2069,6	2184,6	2299,6	2414,6	2529,6	2644,6	2759,5	2874,5	2989,5													
420	253,2	379,8	506,5	633,1	759,7	886,3	1012,9	1139,5	1266,2	1392,8	1519,4	1646,0	1772,6	1899,2	2025,8	2152,5	2279,1	2405,7	2532,3	2658,9	2785,5	2912,2																
430	278,2	417,3	556,4	695,6	834,7	973,8	1112,9	1252,0	1391,1	1530,2	1669,3	1808,4	1947,6	2086,7	2225,8	2364,9	2504,0	2643,1	2782,2	2921,3																		
440	305,0	457,5	610,0	762,6	915,1	1067,6	1220,1	1372,6	1525,1	1677,6	1830,1	1982,6</																										

WINDDRUK: 600N/m<sup>2</sup>  
 PRESSION DU VENT: 600N/m<sup>2</sup>  
 WINDDRUCK: 600N/m<sup>2</sup>  
 WIND PRESSURE: 600N/m<sup>2</sup>

BOUWHOOGTE < 10m  
 HAUTEUR DU BATIMENT < 10m  
 BAUHOHE < 10m  
 BUILDING HEIGHT < 10m

L(cm)	a of/ou/oder/or b (cm)																																	
	20	30	40	50	60	70	80	90	100	110	120	130	140	150	160	170	180	190	200	210	220	230	240	250	260	270	280	290	300	310	320	330	340	350
100	0,3	0,4	0,5	0,7	0,8	0,9	1,1	1,2	1,3	1,5	1,6	1,7	1,9	2,0	2,1	2,3	2,4	2,5	2,7	2,8	2,9	3,1	3,2	3,3	3,5	3,6	3,8	3,9	4,0	4,2	4,3	4,4	4,6	4,7
110	0,4	0,5	0,7	0,9	1,1	1,2	1,4	1,6	1,8	2,0	2,1	2,3	2,5	2,7	2,9	3,0	3,2	3,4	3,6	3,7	3,9	4,1	4,3	4,5	4,6	4,8	5,0	5,2	5,3	5,5	5,7	5,9	6,1	6,2
120	0,5	0,7	0,9	1,2	1,4	1,6	1,9	2,1	2,3	2,5	2,8	3,0	3,2	3,5	3,7	3,9	4,2	4,4	4,6	4,9	5,1	5,3	5,6	5,8	6,0	6,2	6,5	6,7	6,9	7,2	7,4	7,6	7,9	8,1
130	0,6	0,9	1,2	1,5	1,8	2,1	2,4	2,6	2,9	3,2	3,5	3,8	4,1	4,4	4,7	5,0	5,3	5,6	5,9	6,2	6,5	6,8	7,1	7,4	7,7	7,9	8,2	8,5	8,8	9,1	9,4	9,7	10,0	10,3
140	0,7	1,1	1,5	1,8	2,2	2,6	2,9	3,3	3,7	4,0	4,4	4,8	5,1	5,5	5,9	6,2	6,6	7,0	7,4	7,7	8,1	8,5	8,8	9,2	9,6	9,9	10,3	10,7	11,0	11,4	11,8	12,1	12,5	12,9
150	0,9	1,4	1,8	2,3	2,7	3,2	3,6	4,1	4,5	5,0	5,4	5,9	6,3	6,8	7,2	7,7	8,1	8,6	9,0	9,5	9,9	10,4	10,8	11,3	11,8	12,2	12,7	13,1	13,6	14,0	14,5	14,9	15,4	15,8
160	1,1	1,6	2,2	2,7	3,3	3,8	4,4	4,9	5,5	6,0	6,6	7,1	7,7	8,2	8,8	9,3	9,9	10,4	11,0	11,5	12,1	12,6	13,2	13,7	14,3	14,8	15,4	15,9	16,5	17,0	17,6	18,1	18,7	19,2
170	1,3	2,0	2,6	3,3	3,9	4,6	5,3	5,9	6,6	7,2	7,9	8,6	9,2	9,9	10,5	11,2	11,8	12,5	13,2	13,8	14,5	15,1	15,8	16,4	17,1	17,8	18,4	19,1	19,7	20,4	21,1	21,7	22,4	23,0
180	1,6	2,3	3,1	3,9	4,7	5,5	6,2	7,0	7,8	8,6	9,4	10,2	10,9	11,7	12,5	13,3	14,1	14,8	15,6	16,4	17,2	18,0	18,7	19,5	20,3	21,1	21,9	22,7	23,4	24,2	25,0	25,8	26,6	27,3
190	1,8	2,8	3,7	4,6	5,5	6,4	7,3	8,3	9,2	10,1	11,0	11,9	12,9	13,8	14,7	15,6	16,5	17,5	18,4	19,3	20,2	21,1	22,0	23,0	23,9	24,8	25,7	26,6	27,6	28,5	29,4	30,3	31,2	32,2
200	2,1	3,2	4,3	5,4	6,4	7,5	8,6	9,6	10,7	11,8	12,9	13,9	15,0	16,1	17,1	18,2	19,3	20,4	21,4	22,5	23,6	24,6	25,7	26,8	27,9	28,9	30,0	31,1	32,1	33,2	34,3	35,4	36,4	37,5
210	2,5	3,7	5,0	6,2	7,4	8,7	9,9	11,2	12,4	13,6	14,9	16,1	17,4	18,6	19,8	21,1	22,3	23,6	24,8	26,0	27,3	28,5	29,8	31,0	32,2	33,5	34,7	36,0	37,2	38,4	39,7	40,9	42,2	43,4
220	2,9	4,3	5,7	7,1	8,6	10,0	11,4	12,8	14,3	15,7	17,1	18,5	20,0	21,4	22,8	24,2	25,7	27,1	28,5	29,9	31,4	32,8	34,2	35,7	37,1	38,5	39,9	41,4	42,8	44,2	45,6	47,1	48,5	49,9
230	3,3	4,9	6,5	8,1	9,8	11,4	13,0	14,7	16,3	17,9	19,6	21,2	22,8	24,4	26,1	27,7	29,3	31,0	32,6	34,2	35,8	37,5	39,1	40,7	42,4	44,0	45,6	47,3	48,9	50,5	52,1	53,8	55,4	57,0
240	3,7	5,6	7,4	9,3	11,1	13,0	14,8	16,7	18,5	20,4	22,2	24,1	25,9	27,8	29,6	31,5	33,3	35,2	37,0	38,9	40,7	42,6	44,4	46,3	48,1	50,0	51,8	53,7	55,5	57,4	59,2	61,1	62,9	64,8
250	4,4	6,5	8,7	10,9	13,1	15,3	17,4	19,6	21,8	24,0	26,2	28,3	30,5	32,7	34,9	37,1	39,2	41,4	43,6	45,8	48,0	50,1	52,3	54,5	56,7	58,9	61,0	63,2	65,4	67,6	69,8	71,9	74,1	76,3
260	5,1	7,7	10,2	12,8	15,3	17,9	20,4	23,0	25,5	28,1	30,6	33,2	35,7	38,3	40,8	43,4	45,9	48,5	51,0	53,6	56,1	58,7	61,2	63,8	66,3	68,9	71,4	74,0	76,5	79,1	81,6	84,2	86,7	89,3
270	5,9	8,9	11,9	14,8	17,8	20,8	23,7	26,7	29,7	32,6	35,6	38,6	41,5	44,5	47,5	50,4	53,4	56,3	59,3	62,3	65,2	68,2	71,2	74,1	77,1	80,1	83,0	86,0	89,0	91,9	94,9	97,9	100,8	103,8
280	6,9	10,3	13,7	17,2	20,6	24,0	27,4	30,9	34,3	37,7	41,2	44,6	48,0	51,5	54,9	58,3	61,7	65,2	68,6	72,0	75,5	78,9	82,3	85,8	89,2	92,6	96,0	99,5	102,9	106,3	109,8	113,2	116,6	120,1
290	7,9	11,8	15,8	19,7	23,7	27,6	31,6	35,5	39,5	43,4	47,4	51,3	55,3	59,2	63,2	67,1	71,0	75,0	78,9	82,9	86,8	90,8	94,7	98,7	102,6	106,6	110,5	114,5	118,4	122,4	126,3	130,2	134,2	138,1
300	9,0	13,6	18,1	22,6	27,1	31,6	36,2	40,7	45,2	49,7	54,2	58,8	63,3	67,8	72,3	76,8	81,4	85,9	90,4	94,9	99,4	104,0	108,5	113,0	117,5	122,0	126,6	131,1	135,6	140,1	144,6	149,2	153,7	158,2
310	10,3	15,5	20,6	25,8	30,9	36,1	41,2	46,4	51,5	56,7	61,8	67,0	72,2	77,3	82,5	87,6	92,8	97,9	103,1	108,2	113,4	118,5	123,7	128,8	134,0	139,1	144,3	149,5	154,6	159,8	164,9	170,1	175,2	180,4
320	11,7	17,6	23,4	29,3	35,1	41,0	46,8	52,7	58,5	64,4	70,2	76,1	81,9	87,8	93,6	99,5	105,3	111,2	117,0	122,9	128,7	134,6	140,4	146,3	152,1	158,0	163,8	169,7	175,5	181,4	187,2	193,1	198,9	204,8
330	13,2	19,9	26,5	33,1	39,7	46,3	52,9	59,6	66,2	72,8	79,4	86,0	92,7	99,3	105,9	112,5	119,1	125,7	132,4	139,0	145,6	152,2	158,8	165,4	172,1	178,7	185,3	191,9	198,5	205,2	211,8	218,4	225,0	231,6
340	14,9	22,4	29,8	37,3	44,7	52,2	59,7	67,1	74,6	82,0	89,5	96,9	104,4	111,9	119,3	126,8	134,2	141,7	149,1	156,6	164,1	171,5	179,0	186,4	193,9	201,3	208,8	216,3	223,7	231,2	238,6	246,1	253,5	261,0
350	16,7	25,1	33,5	41,9	50,2	58,6	67,0	75,4	83,7	92,1	100,5	108,9	117,2	125,6	134,0	142,4	150,7	159,1	167,5	175,9	184,2	192,6	201,0	209,4	217,7	226,1	234,5	242,8	251,2	259,6	268,0	276,3	284,7	293,1
360	18,7	28,1	37,5	46,9	56,2	65,6	75,0	84,4	93,7	103,1	112,5	121,8	131,2	140,6	150,0	159,3	168,7	178,1	187,5	196,8	206,2	215,6	224,9	234,3	243,7	253,1	262,4	271,8	281,2	290,6	299,9	309,3	318,7	328,1
370	20,9	31,4	41,8	52,3	62,8	73,2	83,7	94,1	104,6	115,0	125,5	136,0	146,4	156,9	167,3	177,8	188,3	198,7	209,2	219,6	230,1	240,5	251,0	261,5	271,9	282,4	292,8	303,3	313,8	324,2	334,7	345,1	355,6	366,0
380	23,3	34,9	46,5	58,2	69,8	81,5	93,1	104,7	116,4	128,0	139,6	151,3	162,9	174,5	186,2	197,8	209,4	221,1	232,7	244,4	256,0	267,6	279,3	290,9	302,5	314,2	325,8	337,4	349,1	360,7	372,3	384,0	395,6	407,3
390	25,8	38,7	51,6	64,5	77,5	90,4	103,3	116,2	129,1	142,0	154,9	167,8	180,7	193,6	206,6	219,5	232,4	245,3	258,2	271,1	284,0	296,9	309,8	322,7	335,7	348,6	361,5	374,4	387,3	400,2	413,1	426,0	438,9	451,8
400	28,6	42,9	57,1	71,4	85,7	100,0	114,3	128,6	142,9	157,1	171,4	185,7	200,0	214,3	228,6	242,9	257,1	271,4	285,7	300,0	314,3	328,6	342,9	357,1	371,4	385,7	400,0	414,3	428,6	442,9	457,1	471,4	485,7	500,0

$l_x = l_{xa} + l_{xb}$   
 $f_{max} = L/300 < 8mm$



STATICA - STATIQUE - STATIK - STATICS

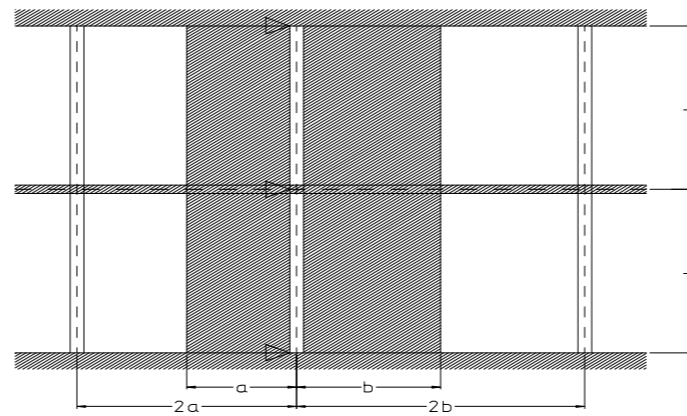
# MC-WALL

WINDDRUK: 750N/m<sup>2</sup>  
 PRESSION DU VENT: 750N/m<sup>2</sup>  
 WINDDRUCK: 750N/m<sup>2</sup>  
 WIND PRESSURE: 750N/m<sup>2</sup>

BOUWHOOGTE < 18m  
 HAUTEUR DU BATIMENT < 18m  
 BAUHOHE < 18m  
 BUILDING HEIGHT < 18m

L(cm)	a of/ou/oder/or b (cm)																																	
	20	30	40	50	60	70	80	90	100	110	120	130	140	150	160	170	180	190	200	210	220	230	240	250	260	270	280	290	300	310	320	330	340	350
100	0,3	0,5	0,7	0,8	1,0	1,2	1,3	1,5	1,7	1,8	2,0	2,2	2,3	2,5	2,7	2,8	3,0	3,2	3,3	3,5	3,7	3,9	4,0	4,2	4,4	4,5	4,7	4,9	5,0	5,2	5,4	5,5	5,7	5,9
110	0,4	0,7	0,9	1,1	1,3	1,6	1,8	2,0	2,2	2,5	2,7	2,9	3,1	3,3	3,6	3,8	4,0	4,2	4,5	4,7	4,9	5,1	5,3	5,6	5,8	6,0	6,2	6,5	6,7	6,9	7,1	7,4	7,6	7,8
120	0,6	0,9	1,2	1,4	1,7	2,0	2,3	2,6	2,9	3,2	3,5	3,8	4,1	4,3	4,6	4,9	5,2	5,5	5,8	6,1	6,4	6,7	6,9	7,2	7,5	7,8	8,1	8,4	8,7	9,0	9,3	9,5	9,8	10,1
130	0,7	1,1	1,5	1,8	2,2	2,6	2,9	3,3	3,7	4,0	4,4	4,8	5,1	5,5	5,9	6,3	6,6	7,0	7,4	7,7	8,1	8,5	8,8	9,2	9,6	9,9	10,3	10,7	11,0	11,4	11,8	12,1	12,5	12,9
140	0,9	1,4	1,8	2,3	2,8	3,2	3,7	4,1	4,6	5,1	5,5	6,0	6,4	6,9	7,4	7,8	8,3	8,7	9,2	9,6	10,1	10,6	11,0	11,5	11,9	12,4	12,9	13,3	13,8	14,2	14,7	15,2	15,6	16,1
150	1,1	1,7	2,3	2,8	3,4	4,0	4,5	5,1	5,7	6,2	6,8	7,3	7,9	8,5	9,0	9,6	10,2	10,7	11,3	11,9	12,4	13,0	13,6	14,1	14,7	15,3	15,8	16,4	17,0	17,5	18,1	18,6	19,2	19,8
160	1,4	2,1	2,7	3,4	4,1	4,8	5,5	6,2	6,9	7,5	8,2	8,9	9,6	10,3	11,0	11,7	12,3	13,0	13,7	14,4	15,1	15,8	16,5	17,1	17,8	18,5	19,2	19,9	20,6	21,3	21,9	22,6	23,3	24,0
170	1,6	2,5	3,3	4,1	4,9	5,8	6,6	7,4	8,2	9,0	9,9	10,7	11,5	12,3	13,2	14,0	14,8	15,6	16,4	17,3	18,1	18,9	19,7	20,6	21,4	22,2	23,0	23,9	24,7	25,5	26,3	27,1	28,0	28,8
180	2,0	2,9	3,9	4,9	5,9	6,8	7,8	8,8	9,8	10,7	11,7	12,7	13,7	14,6	15,6	16,6	17,6	18,6	19,5	20,5	21,5	22,5	23,4	24,4	25,4	26,4	27,3	28,3	29,3	30,3	31,2	32,2	33,2	34,2
190	2,3	3,4	4,6	5,7	6,9	8,0	9,2	10,3	11,5	12,6	13,8	14,9	16,1	17,2	18,4	19,5	20,7	21,8	23,0	24,1	25,3	26,4	27,6	28,7	29,9	31,0	32,2	33,3	34,4	35,6	36,7	37,9	39,0	40,2
200	2,7	4,0	5,4	6,7	8,0	9,4	10,7	12,1	13,4	14,7	16,1	17,4	18,8	20,1	21,4	22,8	24,1	25,4	26,8	28,1	29,5	30,8	32,1	33,5	34,8	36,2	37,5	38,8	40,2	41,5	42,9	44,2	45,5	46,9
210	3,1	4,7	6,2	7,8	9,3	10,9	12,4	14,0	15,5	17,1	18,6	20,2	21,7	23,3	24,8	26,4	27,9	29,5	31,0	32,6	34,1	35,7	37,2	38,8	40,3	41,9	43,4	45,0	46,5	48,1	49,6	51,2	52,7	54,3
220	3,6	5,3	7,1	8,9	10,7	12,5	14,3	16,0	17,8	19,6	21,4	23,2	25,0	26,7	28,5	30,3	32,1	33,9	35,7	37,4	39,2	41,0	42,8	44,6	46,3	48,1	49,9	51,7	53,5	55,3	57,0	58,8	60,6	62,4
230	4,1	6,1	8,1	10,2	12,2	14,3	16,3	18,3	20,4	22,4	24,4	26,5	28,5	30,6	32,6	34,6	36,7	38,7	40,7	42,8	44,8	46,8	48,9	50,9	53,0	55,0	57,0	59,1	61,1	63,1	65,2	67,2	69,3	71,3
240	4,6	6,9	9,3	11,6	13,9	16,2	18,5	20,8	23,1	25,5	27,8	30,1	32,4	34,7	37,0	39,3	41,7	44,0	46,3	48,6	50,9	53,2	55,5	57,9	60,2	62,5	64,8	67,1	69,4	71,7	74,1	76,4	78,7	81,0
250	5,4	8,2	10,9	13,6	16,3	19,1	21,8	24,5	27,2	30,0	32,7	35,4	38,1	40,9	43,6	46,3	49,0	51,8	54,5	57,2	59,9	62,7	65,4	68,1	70,8	73,6	76,3	79,0	81,7	84,5	87,2	89,9	92,6	95,4
260	6,4	9,6	12,8	15,9	19,1	22,3	25,5	28,7	31,9	35,1	38,3	41,4	44,6	47,8	51,0	54,2	57,4	60,6	63,8	66,9	70,1	73,3	76,5	79,7	82,9	86,1	89,3	92,4	95,6	98,8	102,0	105,2	108,4	111,6
270	7,4	11,1	14,8	18,5	22,2	25,9	29,7	33,4	37,1	40,8	44,5	48,2	51,9	55,6	59,3	63,0	66,7	70,4	74,1	77,8	81,6	85,3	89,0	92,7	96,4	100,1	103,8	107,5	111,2	114,9	118,6	122,3	126,0	129,7
280	8,6	12,9	17,2	21,4	25,7	30,0	34,3	38,6	42,9	47,2	51,5	55,7	60,0	64,3	68,6	72,9	77,2	81,5	85,8	90,0	94,3	98,6	102,9	107,2	111,5	115,8	120,1	124,3	128,6	132,9	137,2	141,5	145,8	150,1
290	9,9	14,8	19,7	24,7	29,6	34,5	39,5	44,4	49,3	54,3	59,2	64,1	69,1	74,0	78,9	83,9	88,8	93,7	98,7	103,6	108,5	113,5	118,4	123,3	128,3	133,2	138,1	143,1	148,0	152,9	157,9	162,8	167,7	172,7
300	11,3	17,0	22,6	28,3	33,9	39,6	45,2	50,9	56,5	62,2	67,8	73,5	79,1	84,8	90,4	96,1	101,7	107,4	113,0	118,7	124,3	130,0	135,6	141,3	146,9	152,6	158,2	163,9	169,5	175,2	180,8	186,5	192,1	197,8
310	12,9	19,3	25,8	32,2	38,7	45,1	51,5	58,0	64,4	70,9	77,3	83,7	90,2	96,6	103,1	109,5	116,0	122,4	128,8	135,3	141,7	148,2	154,6	161,0	167,5	173,9	180,4	186,8	193,3	199,7	206,1	212,6	219,0	225,5
320	14,6	21,9	29,3	36,6	43,9	51,2	58,5	65,8	73,1	80,5	87,8	95,1	102,4	109,7	117,0	124,3	131,7	139,0	146,3	153,6	160,9	168,2	175,5	182,9	190,2	197,5	204,8	212,1	219,4	226,7	234,1	241,4	248,7	256,0
330	16,5	24,8	33,1	41,4	49,6	57,9	66,2	74,5	82,7	91,0	99,3	107,5	115,8	124,1	132,4	140,6	148,9	157,2	165,4	173,7	182,0	190,3	198,5	206,8	215,1	223,4	231,6	239,9	248,2	256,4	264,7	273,0	281,3	289,5
340	18,6	28,0	37,3	46,6	55,9	65,3	74,6	83,9	93,2	102,5	111,9	121,2	130,5	139,8	149,1	158,5	167,8	177,1	186,4	195,8	205,1	214,4	223,7	233,0	242,4	251,7	261,0	270,3	279,6	289,0	298,3	307,6	316,9	326,3
350	20,9	31,4	41,9	52,3	62,8	73,3	83,7	94,2	104,7	115,1	125,6	136,1	146,5	157,0	167,5	177,9	188,4	198,9	209,4	219,8	230,3	240,8	251,2	261,7	272,2	282,6	293,1	303,6	314,0	324,5	335,0	345,4	355,9	366,4
360	23,4	35,1	46,9	58,6	70,3	82,0	93,7	105,4	117,2	128,9	140,6	152,3	164,0	175,7	187,5	199,2	210,9	222,6	234,3	246,0	257,8	269,5	281,2	292,9	304,6	316,3	328,1	339,8	351,5	363,2	374,9	386,6	398,3	410,1
370	26,1	39,2	52,3	65,4	78,4	91,5	104,6	117,7	130,7	143,8	156,9	170,0	183,0	196,1	209,2	222,2	235,3	248,4	261,5	274,5	287,6	300,7	313,8	326,8	339,9	353,0	366,0	379,1	392,2	405,3	418,3	431,4	444,5	457,6
380	29,1	43,6	58,2	72,7	87,3	101,8	116,4	130,9	145,4	160,0	174,5	189,1	203,6	218,2	232,7	247,3	261,8	276,4	290,9	305,4	320,0	334,5	349,1	363,6	378,2	392,7	407,3	421,8	436,3	450,9	465,4	480,0	494,5	509,1
390	32,3	48,4	64,5	80,7	96,8	113,0	129,1	145,2	161,4	177,5	193,6	209,8	225,9	242,1	258,2	274,3	290,5	306,6	322,7	338,9	355,0	371,2	387,3	403,4	419,6	435,7	451,8	468,0	484,1	500,3	516,4	532,5	548,7	564,8
400	35,7	53,6	71,4	89,3	107,1	125,0	142,9	160,7	178,6	196,4	214,3	232,1	250,0	267,9	285,7	303,6	321,4	339,3	357,1	375,0	392,9	410,7	428,6	446,4	464,3	482,1	500,0	517,9	535,7	553,6	571,4	589,3	607,1	625,0

$l_x = l_{xa} + l_{xb}$   
 $f_{max} = L/300 < 8mm$





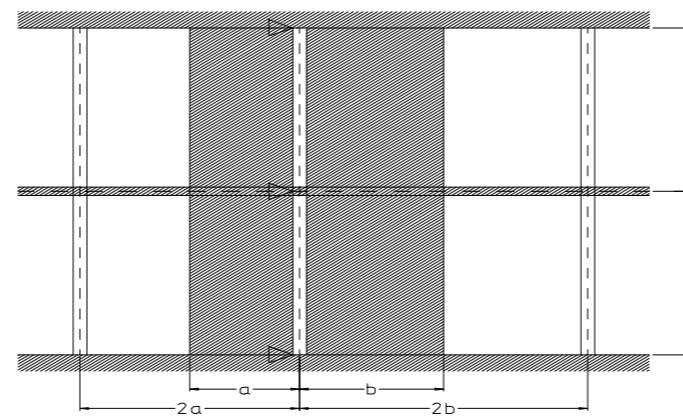
WINDDRUK: 1000N/m<sup>2</sup>  
 PRESSION DU VENT: 1000N/m<sup>2</sup>  
 WINDDRUCK: 1000N/m<sup>2</sup>  
 WIND PRESSURE: 1000N/m<sup>2</sup>

BOUWHOOGTE < 50m  
 HAUTEUR DU BATIMENT < 50m  
 BAUHOHE < 50m  
 BUILDING HEIGHT < 50m

L(cm)	a of/ou/oder/or b (cm)																																	
	20	30	40	50	60	70	80	90	100	110	120	130	140	150	160	170	180	190	200	210	220	230	240	250	260	270	280	290	300	310	320	330	340	350
100	0,4	0,7	0,9	1,1	1,3	1,6	1,8	2,0	2,2	2,5	2,7	2,9	3,1	3,3	3,6	3,8	4,0	4,2	4,5	4,7	4,9	5,1	5,4	5,6	5,8	6,0	6,3	6,5	6,7	6,9	7,1	7,4	7,6	7,8
110	0,6	0,9	1,2	1,5	1,8	2,1	2,4	2,7	3,0	3,3	3,6	3,9	4,2	4,5	4,8	5,1	5,3	5,6	5,9	6,2	6,5	6,8	7,1	7,4	7,7	8,0	8,3	8,6	8,9	9,2	9,5	9,8	10,1	10,4
120	0,8	1,2	1,5	1,9	2,3	2,7	3,1	3,5	3,9	4,2	4,6	5,0	5,4	5,8	6,2	6,6	6,9	7,3	7,7	8,1	8,5	8,9	9,3	9,6	10,0	10,4	10,8	11,2	11,6	12,0	12,3	12,7	13,1	13,5
130	1,0	1,5	2,0	2,5	2,9	3,4	3,9	4,4	4,9	5,4	5,9	6,4	6,9	7,4	7,8	8,3	8,8	9,3	9,8	10,3	10,8	11,3	11,8	12,3	12,8	13,2	13,7	14,2	14,7	15,2	15,7	16,2	16,7	17,2
140	1,2	1,8	2,5	3,1	3,7	4,3	4,9	5,5	6,1	6,7	7,4	8,0	8,6	9,2	9,8	10,4	11,0	11,6	12,3	12,9	13,5	14,1	14,7	15,3	15,9	16,5	17,2	17,8	18,4	19,0	19,6	20,2	20,8	21,4
150	1,5	2,3	3,0	3,8	4,5	5,3	6,0	6,8	7,5	8,3	9,0	9,8	10,5	11,3	12,1	12,8	13,6	14,3	15,1	15,8	16,6	17,3	18,1	18,8	19,6	20,3	21,1	21,8	22,6	23,4	24,1	24,9	25,6	26,4
160	1,8	2,7	3,7	4,6	5,5	6,4	7,3	8,2	9,1	10,1	11,0	11,9	12,8	13,7	14,6	15,5	16,5	17,4	18,3	19,2	20,1	21,0	21,9	22,9	23,8	24,7	25,6	26,5	27,4	28,3	29,3	30,2	31,1	32,0
170	2,2	3,3	4,4	5,5	6,6	7,7	8,8	9,9	11,0	12,1	13,2	14,3	15,4	16,4	17,5	18,6	19,7	20,8	21,9	23,0	24,1	25,2	26,3	27,4	28,5	29,6	30,7	31,8	32,9	34,0	35,1	36,2	37,3	38,4
180	2,6	3,9	5,2	6,5	7,8	9,1	10,4	11,7	13,0	14,3	15,6	16,9	18,2	19,5	20,8	22,1	23,4	24,7	26,0	27,3	28,6	29,9	31,2	32,5	33,8	35,1	36,5	37,8	39,1	40,4	41,7	43,0	44,3	45,6
190	3,1	4,6	6,1	7,7	9,2	10,7	12,2	13,8	15,3	16,8	18,4	19,9	21,4	23,0	24,5	26,0	27,6	29,1	30,6	32,2	33,7	35,2	36,7	38,3	39,8	41,3	42,9	44,4	45,9	47,5	49,0	50,5	52,1	53,6
200	3,6	5,4	7,1	8,9	10,7	12,5	14,3	16,1	17,9	19,6	21,4	23,2	25,0	26,8	28,6	30,4	32,1	33,9	35,7	37,5	39,3	41,1	42,9	44,6	46,4	48,2	50,0	51,8	53,6	55,4	57,1	58,9	60,7	62,5
210	4,1	6,2	8,3	10,3	12,4	14,5	16,5	18,6	20,7	22,7	24,8	26,9	28,9	31,0	33,1	35,1	37,2	39,3	41,3	43,4	45,5	47,5	49,6	51,7	53,7	55,8	57,9	59,9	62,0	64,1	66,2	68,2	70,3	72,4
220	4,8	7,1	9,5	11,9	14,3	16,6	19,0	21,4	23,8	26,1	28,5	30,9	33,3	35,7	38,0	40,4	42,8	45,2	47,5	49,9	52,3	54,7	57,0	59,4	61,8	64,2	66,6	68,9	71,3	73,7	76,1	78,4	80,8	83,2
230	5,4	8,1	10,9	13,6	16,3	19,0	21,7	24,4	27,2	29,9	32,6	35,3	38,0	40,7	43,5	46,2	48,9	51,6	54,3	57,0	59,7	62,5	65,2	67,9	70,6	73,3	76,0	78,8	81,5	84,2	86,9	89,6	92,3	95,1
240	6,2	9,3	12,3	15,4	18,5	21,6	24,7	27,8	30,9	33,9	37,0	40,1	43,2	46,3	49,4	52,5	55,5	58,6	61,7	64,8	67,9	71,0	74,1	77,1	80,2	83,3	86,4	89,5	92,6	95,7	98,7	101,8	104,9	108,0
250	7,3	10,9	14,5	18,2	21,8	25,4	29,1	32,7	36,3	40,0	43,6	47,2	50,9	54,5	58,1	61,8	65,4	69,0	72,7	76,3	79,9	83,6	87,2	90,8	94,5	98,1	101,7	105,4	109,0	112,6	116,3	119,9	123,5	127,2
260	8,5	12,8	17,0	21,3	25,5	29,8	34,0	38,3	42,5	46,8	51,0	55,3	59,5	63,8	68,0	72,3	76,5	80,8	85,0	89,3	93,5	97,8	102,0	106,3	110,5	114,8	119,0	123,3	127,5	131,8	136,0	140,3	144,5	148,8
270	9,9	14,8	19,8	24,7	29,7	34,6	39,5	44,5	49,4	54,4	59,3	64,3	69,2	74,1	79,1	84,0	89,0	93,9	98,9	103,8	108,7	113,7	118,6	123,6	128,5	133,5	138,4	143,3	148,3	153,2	158,2	163,1	168,1	173,0
280	11,4	17,2	22,9	28,6	34,3	40,0	45,7	51,5	57,2	62,9	68,6	74,3	80,0	85,8	91,5	97,2	102,9	108,6	114,3	120,1	125,8	131,5	137,2	142,9	148,6	154,4	160,1	165,8	171,5	177,2	182,9	188,7	194,4	200,1
290	13,2	19,7	26,3	32,9	39,5	46,0	52,6	59,2	65,8	72,4	78,9	85,5	92,1	98,7	105,3	111,8	118,4	125,0	131,6	138,1	144,7	151,3	157,9	164,5	171,0	177,6	184,2	190,8	197,3	203,9	210,5	217,1	223,7	230,2
300	15,1	22,6	30,1	37,7	45,2	52,7	60,3	67,8	75,3	82,9	90,4	97,9	105,5	113,0	120,5	128,1	135,6	143,1	150,7	158,2	165,7	173,3	180,8	188,3	195,9	203,4	210,9	218,5	226,0	233,5	241,1	248,6	256,1	263,7
310	17,2	25,8	34,4	42,9	51,5	60,1	68,7	77,3	85,9	94,5	103,1	111,7	120,3	128,8	137,4	146,0	154,6	163,2	171,8	180,4	189,0	197,6	206,1	214,7	223,3	231,9	240,5	249,1	257,7	266,3	274,9	283,4	292,0	300,6
320	19,5	29,3	39,0	48,8	58,5	68,3	78,0	87,8	97,5	107,3	117,0	126,8	136,5	146,3	156,0	165,8	175,5	185,3	195,0	204,8	214,6	224,3	234,1	243,8	253,6	263,3	273,1	282,8	292,6	302,3	312,1	321,8	331,6	341,3
330	22,1	33,1	44,1	55,1	66,2	77,2	88,2	99,3	110,3	121,3	132,4	143,4	154,4	165,4	176,5	187,5	198,5	209,6	220,6	231,6	242,7	253,7	264,7	275,7	286,8	297,8	308,8	319,9	330,9	341,9	353,0	364,0	375,0	386,0
340	24,9	37,3	49,7	62,1	74,6	87,0	99,4	111,9	124,3	136,7	149,1	161,6	174,0	186,4	198,9	211,3	223,7	236,1	248,6	261,0	273,4	285,9	298,3	310,7	323,1	335,6	348,0	360,4	372,9	385,3	397,7	410,1	422,6	435,0
350	27,9	41,9	55,8	69,8	83,7	97,7	111,7	125,6	139,6	153,5	167,5	181,4	195,4	209,4	223,3	237,3	251,2	265,2	279,1	293,1	307,0	321,0	335,0	348,9	362,9	376,8	390,8	404,7	418,7	432,7	446,6	460,6	474,5	488,5
360	31,2	46,9	62,5	78,1	93,7	109,4	125,0	140,6	156,2	171,8	187,5	203,1	218,7	234,3	249,9	265,6	281,2	296,8	312,4	328,1	343,7	359,3	374,9	390,5	406,2	421,8	437,4	453,0	468,6	484,3	499,9	515,5	531,1	546,8
370	34,9	52,3	69,7	87,2	104,6	122,0	139,4	156,9	174,3	191,7	209,2	226,6	244,0	261,5	278,9	296,3	313,8	331,2	348,6	366,0	383,5	400,9	418,3	435,8	453,2	470,6	488,1	505,5	522,9	540,4	557,8	575,2	592,6	610,1
380	38,8	58,2	77,6	97,0	116,4	135,8	155,1	174,5	193,9	213,3	232,7	252,1	271,5	290,9	310,3	329,7	349,1	368,5	387,9	407,3	426,6	446,0	465,4	484,8	504,2	523,6	543,0	562,4	581,8	601,2	620,6	640,0	659,4	678,8
390	43,0	64,5	86,1	107,6	129,1	150,6	172,1	193,6	215,2	236,7	258,2	279,7	301,2	322,7	344,3	365,8	387,3	408,8	430,3	451,8	473,4	494,9	516,4	537,9	559,4	580,9	602,5	624,0	645,5	667,0	688,5	710,0	731,6	753,1
400	47,6	71,4	95,2	119,0	142,9	166,7	190,5	214,3	238,1	261,9	285,7	309,5	333,3	357,1	381,0	404,8	428,6	452,4	476,2	500,0	523,8	547,6	571,4	595,2	619,0	642,9	666,7	690,5	714,3	738,1	761,9	785,7	809,5	833,3

$$lx = lxa + lxb$$

$$fmax = L/300 < 8mm$$

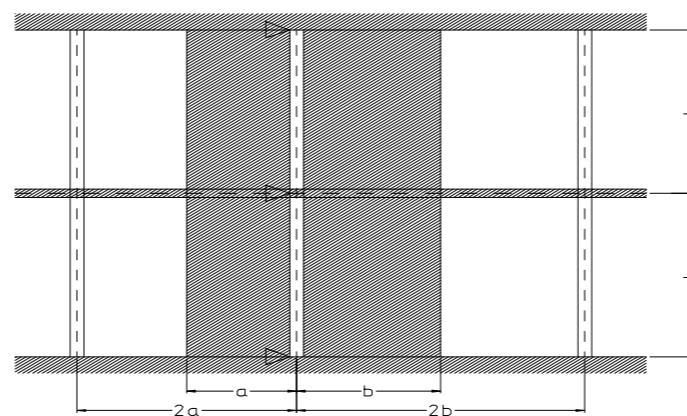


WINDDRUK: 1750N/m<sup>2</sup>  
 PRESSION DU VENT: 1750N/m<sup>2</sup>  
 WINDDRUCK: 1750N/m<sup>2</sup>  
 WIND PRESSURE: 1750N/m<sup>2</sup>

BOUWHOOGTE > 50m  
 HAUTEUR DU BATIMENT > 50m  
 BAUHOHE > 50m  
 BUILDING HEIGHT > 50m

L(cm)	a of/ou/oder/or b (cm)																																	
	20	30	40	50	60	70	80	90	100	110	120	130	140	150	160	170	180	190	200	210	220	230	240	250	260	270	280	290	300	310	320	330	340	350
100	0,8	1,2	1,6	2,0	2,3	2,7	3,1	3,5	3,9	4,3	4,7	5,1	5,5	5,9	6,3	6,6	7,0	7,4	7,8	8,2	8,6	9,0	9,4	9,8	10,2	10,5	10,9	11,3	11,7	12,1	12,5	12,9	13,3	13,7
110	1,0	1,6	2,1	2,6	3,1	3,6	4,2	4,7	5,2	5,7	6,2	6,8	7,3	7,8	8,3	8,8	9,4	9,9	10,4	10,9	11,4	12,0	12,5	13,0	13,5	14,0	14,6	15,1	15,6	16,1	16,6	17,2	17,7	18,2
120	1,4	2,0	2,7	3,4	4,1	4,7	5,4	6,1	6,8	7,4	8,1	8,8	9,5	10,1	10,8	11,5	12,2	12,8	13,5	14,2	14,9	15,5	16,2	16,9	17,6	18,2	18,9	19,6	20,3	20,9	21,6	22,3	23,0	23,6
130	1,7	2,6	3,4	4,3	5,1	6,0	6,9	7,7	8,6	9,4	10,3	11,2	12,0	12,9	13,7	14,6	15,4	16,3	17,2	18,0	18,9	19,7	20,6	21,5	22,3	23,2	24,0	24,9	25,7	26,6	27,5	28,3	29,2	30,0
140	2,1	3,2	4,3	5,4	6,4	7,5	8,6	9,6	10,7	11,8	12,9	13,9	15,0	16,1	17,2	18,2	19,3	20,4	21,4	22,5	23,6	24,7	25,7	26,8	27,9	28,9	30,0	31,1	32,2	33,2	34,3	35,4	36,4	37,5
150	2,6	4,0	5,3	6,6	7,9	9,2	10,5	11,9	13,2	14,5	15,8	17,1	18,5	19,8	21,1	22,4	23,7	25,0	26,4	27,7	29,0	30,3	31,6	33,0	34,3	35,6	36,9	38,2	39,6	40,9	42,2	43,5	44,8	46,1
160	3,2	4,8	6,4	8,0	9,6	11,2	12,8	14,4	16,0	17,6	19,2	20,8	22,4	24,0	25,6	27,2	28,8	30,4	32,0	33,6	35,2	36,8	38,4	40,0	41,6	43,2	44,8	46,4	48,0	49,6	51,2	52,8	54,4	56,0
170	3,8	5,8	7,7	9,6	11,5	13,4	15,4	17,3	19,2	21,1	23,0	24,9	26,9	28,8	30,7	32,6	34,5	36,5	38,4	40,3	42,2	44,1	46,1	48,0	49,9	51,8	53,7	55,7	57,6	59,5	61,4	63,3	65,3	67,2
180	4,6	6,8	9,1	11,4	13,7	15,9	18,2	20,5	22,8	25,1	27,3	29,6	31,9	34,2	36,5	38,7	41,0	43,3	45,6	47,8	50,1	52,4	54,7	57,0	59,2	61,5	63,8	66,1	68,3	70,6	72,9	75,2	77,5	79,7
190	5,4	8,0	10,7	13,4	16,1	18,8	21,4	24,1	26,8	29,5	32,2	34,8	37,5	40,2	42,9	45,5	48,2	50,9	53,6	56,3	58,9	61,6	64,3	67,0	69,7	72,3	75,0	77,7	80,4	83,1	85,7	88,4	91,1	93,8
200	6,3	9,4	12,5	15,6	18,8	21,9	25,0	28,1	31,3	34,4	37,5	40,6	43,8	46,9	50,0	53,1	56,3	59,4	62,5	65,6	68,8	71,9	75,0	78,1	81,3	84,4	87,5	90,6	93,8	96,9	100,0	103,1	106,3	109,4
210	7,2	10,9	14,5	18,1	21,7	25,3	28,9	32,6	36,2	39,8	43,4	47,0	50,6	54,3	57,9	61,5	65,1	68,7	72,4	76,0	79,6	83,2	86,8	90,4	94,1	97,7	101,3	104,9	108,5	112,1	115,8	119,4	123,0	126,6
220	8,3	12,5	16,6	20,8	25,0	29,1	33,3	37,4	41,6	45,8	49,9	54,1	58,2	62,4	66,6	70,7	74,9	79,0	83,2	87,3	91,5	95,7	99,8	104,0	108,1	112,3	116,5	120,6	124,8	128,9	133,1	137,3	141,4	145,6
230	9,5	14,3	19,0	23,8	28,5	33,3	38,0	42,8	47,5	52,3	57,0	61,8	66,5	71,3	76,0	80,8	85,5	90,3	95,1	99,8	104,6	109,3	114,1	118,8	123,6	128,3	133,1	137,8	142,6	147,3	152,1	156,8	161,6	166,3
240	10,8	16,2	21,6	27,0	32,4	37,8	43,2	48,6	54,0	59,4	64,8	70,2	75,6	81,0	86,4	91,8	97,2	102,6	108,0	113,4	118,8	124,2	129,6	135,0	140,4	145,8	151,2	156,6	162,0	167,4	172,8	178,2	183,6	189,0
250	12,7	19,1	25,4	31,8	38,1	44,5	50,9	57,2	63,6	69,9	76,3	82,7	89,0	95,4	101,7	108,1	114,4	120,8	127,2	133,5	139,9	146,2	152,6	158,9	165,3	171,7	178,0	184,4	190,7	197,1	203,5	209,8	216,2	222,5
260	14,9	22,3	29,8	37,2	44,6	52,1	59,5	66,9	74,4	81,8	89,3	96,7	104,1	111,6	119,0	126,4	133,9	141,3	148,8	156,2	163,6	171,1	178,5	185,9	193,4	200,8	208,3	215,7	223,1	230,6	238,0	245,4	252,9	260,3
270	17,3	25,9	34,6	43,2	51,9	60,5	69,2	77,8	86,5	95,1	103,8	112,4	121,1	129,7	138,4	147,0	155,7	164,3	173,0	181,6	190,3	198,9	207,6	216,2	224,9	233,5	242,2	250,8	259,5	268,1	276,8	285,4	294,1	302,7
280	20,0	30,0	40,0	50,0	60,0	70,0	80,0	90,0	100,0	110,0	120,1	130,1	140,1	150,1	160,1	170,1	180,1	190,1	200,1	210,1	220,1	230,1	240,1	250,1	260,1	270,1	280,1	290,1	300,1	310,1	320,1	330,1	340,1	350,1
290	23,0	34,5	46,0	57,6	69,1	80,6	92,1	103,6	115,1	126,6	138,1	149,7	161,2	172,7	184,2	195,7	207,2	218,7	230,2	241,7	253,3	264,8	276,3	287,8	299,3	310,8	322,3	333,8	345,4	356,9	368,4	379,9	391,4	402,9
300	26,4	39,6	52,7	65,9	79,1	92,3	105,5	118,7	131,8	145,0	158,2	171,4	184,6	197,8	210,9	224,1	237,3	250,5	263,7	276,9	290,0	303,2	316,4	329,6	342,8	356,0	369,1	382,3	395,5	408,7	421,9	435,1	448,2	461,4
310	30,1	45,1	60,1	75,2	90,2	105,2	120,3	135,3	150,3	165,3	180,4	195,4	210,4	225,5	240,5	255,5	270,6	285,6	300,6	315,7	330,7	345,7	360,8	375,8	390,8	405,8	420,9	435,9	450,9	466,0	481,0	496,0	511,1	526,1
320	34,1	51,2	68,3	85,3	102,4	119,5	136,5	153,6	170,7	187,7	204,8	221,9	238,9	256,0	273,1	290,1	307,2	324,3	341,3	358,4	375,5	392,5	409,6	426,7	443,7	460,8	477,9	494,9	512,0	529,1	546,1	563,2	580,3	597,3
330	38,6	57,9	77,2	96,5	115,8	135,1	154,4	173,7	193,0	212,3	231,6	250,9	270,2	289,5	308,8	328,1	347,4	366,7	386,0	405,3	424,6	443,9	463,3	482,6	501,9	521,2	540,5	559,8	579,1	598,4	617,7	637,0	656,3	675,6
340	43,5	65,3	87,0	108,8	130,5	152,3	174,0	195,8	217,5	239,3	261,0	282,8	304,5	326,3	348,0	369,8	391,5	413,3	435,0	456,8	478,5	500,3	522,0	543,8	565,5	587,3	609,0	630,8	652,5	674,3	696,0	717,8	739,5	761,3
350	48,8	73,3	97,7	122,1	146,5	171,0	195,4	219,8	244,2	268,7	293,1	317,5	341,9	366,4	390,8	415,2	439,6	464,1	488,5	512,9	537,3	561,8	586,2	610,6	635,0	659,5	683,9	708,3	732,7	757,2	781,6	806,0	830,4	854,8
360	54,7	82,0	109,4	136,7	164,0	191,4	218,7	246,0	273,4	300,7	328,1	355,4	382,7	410,1	437,4	464,7	492,1	519,4	546,8	574,1	601,4	628,8	656,1	683,4	710,8	738,1	765,5	792,8	820,1	847,5	874,8	902,1	929,5	956,8
370	61,0	91,5	122,0	152,5	183,0	213,5	244,0	274,5	305,0	335,5	366,0	396,6	427,1	457,6	488,1	518,6	549,1	579,6	610,1	640,6	671,1	701,6	732,1	762,6	793,1	823,6	854,1	884,6	915,1	945,6	976,1	1006,6	1037,1	1067,6
380	67,9	101,8	135,8	169,7	203,6	237,6	271,5	305,4	339,4	373,3	407,3	441,2	475,1	509,1	543,0	576,9	610,9	644,8	678,8	712,7	746,6	780,6	814,5	848,4	882,4	916,3	950,3	984,2	1018,1	1052,1	1086,0	1119,9	1153,9	1187,8
390	75,3	113,0	150,6	188,3	225,9	263,6	301,2	338,9	376,5	414,2	451,8	489,5	527,2	564,8	602,5	640,1	677,8	715,4	753,1	790,7	828,4	866,0	903,7	941,3	979,0	1016,6	1054,3	1092,0	1129,6	1167,3	1204,9	1242,6	1280,2	1317,9
400	83,3	125,0	166,7	208,3	250,0	291,7	333,3	375,0	416,7	458,3	500,0	541,7	583,3	625,0	666,7	708,3	750,0	791,7	833,3	875,0	916,7	958,3	1000,0	1041,7	1083,3	1125,0	1166,7	1208,3	1250,0	1291,7	1333,3	1375,0	1416,7	1458,3

$l_x = l_x + l_x b$   
 $f_{max} = L/300 < 8mm$



WINDDRUK: 600N/m<sup>2</sup>  
PRESSION DU VENT: 600N/m<sup>2</sup>  
WINDDRUCK: 600N/m<sup>2</sup>  
WIND PRESSURE: 600N/m<sup>2</sup>

BOUWHOOGTE < 10m  
HAUTEUR DU BATIMENT < 10m  
BAUHOHE < 10m  
BUILDING HEIGHT < 10m

L(cm)	a of/ou/oder/or b (cm)																																								
	20	30	40	50	60	70	80	90	100	110	120	130	140	150	160	170	180	190	200	210	220	230	240	250	260	270	280	290	300	310	320										
40	0,03																																								
50	0,06																																								
60	0,1	0,1																																							
70	0,2	0,3																																							
80	0,3	0,4	0,4																																						
90	0,5	0,6	0,7																																						
100	0,6	0,9	1,0	1,1																																					
110	0,8	1,2	1,4	1,6																																					
120	1,1	1,6	1,9	2,1	2,2																																				
130	1,4	2,0	2,5	2,9	3,0																																				
140	1,8	2,6	3,2	3,7	4,0	4,1																																			
150	2,2	3,2	4,0	4,7	5,2	5,4																																			
160	2,7	3,9	5,0	5,8	6,5	6,9	7,0																																		
170	3,2	4,7	6,0	7,1	8,0	8,6	8,9																																		
180	3,8	5,6	7,2	8,6	9,7	10,6	11,1	11,2																																	
190	4,5	6,6	8,5	10,2	11,7	12,8	13,5	13,9																																	
200	5,3	7,7	10,0	12,1	13,8	15,3	16,3	16,9	17,1																																
210	6,1	9,0	11,7	14,1	16,3	18,0	19,4	20,3	20,8																																
220	7,0	10,4	13,5	16,4	18,9	21,1	22,8	24,1	24,8	25,1																															
230	8,0	11,9	15,5	18,9	21,9	24,4	26,6	28,2	29,3	29,9																															
240	9,2	13,5	17,7	21,6	25,1	28,1	30,7	32,8	34,3	35,2	35,5																														
250	10,8	16,0	20,9	25,5	29,8	33,5	36,7	39,4	41,4	42,8	43,5																														
260	12,6	18,7	24,5	30,0	35,1	39,6	43,6	46,9	49,6	51,5	52,7	53,0																													
270	14,7	21,8	28,6	35,1	41,0	46,5	51,3	55,4	58,8	61,3	63,1	63,9																													
280	17,0	25,3	33,2	40,7	47,7	54,2	59,9	64,9	69,1	72,5	74,9	76,3	76,8																												
290	19,6	29,1	38,3	47,0	55,2	62,8	69,6	75,6	80,8	85,0	88,2	90,3	91,4																												
300	22,4	33,4	43,9	54,0	63,5	72,4	80,4	87,6	93,8	99,0	103,1	106,1	107,9	108,5																											
310	25,6	38,1	50,2	61,8	72,7	83,0	92,4	100,8	108,3	114,6	119,8	123,7	126,3	127,6																											
320	29,1	43,3	57,1	70,3	82,9	94,7	105,6	115,5	124,3	131,9	138,3	143,3	146,9	149,1	149,8																										
330	32,9	49,0	64,6	79,7	94,1	107,6	120,2	131,7	142,0	151,1	158,8	165,0	169,7	172,9	174,5																										
340	37,1	55,2	72,9	90,0	106,4	121,8	136,2	149,5	161,5	172,2	181,4	189,0	195,0	199,3	202,0	202,8																									
350	41,7	62,1	82,0	101,3	119,8	137,3	153,8	169,0	182,9	195,3	206,2	215,4	222,9	228,5	232,3	234,2																									
360	46,6	69,5	91,9	113,6	134,4	154,3	172,9	190,3	206,3	220,7	233,4	244,4	253,5	260,6	265,8	268,9	269,9																								
370	52,0	77,6	102,6	126,9	150,3	172,7	193,8	213,6	231,8	248,4	263,2	276,1	287,0	295,8	302,5	307,0	309,3																								
380	57,9	86,4	114,3	141,4	167,6	192,7	216,5	238,8	259,6	278,5	295,6	310,7	323,6	334,3	342,8	348,8	352,5	353,7																							
390	64,3	95,9	126,9	157,2	186,4	214,4	241,1	266,2	289,7	311,3	330,8	348,3	363,5	376,3	386,7	394,5	399,8	402,5																							
400	71,1	106,2	140,6	174,1	206,6	237,9	267,7	295,9	322,3	346,8	369,1	389,1	406,8	422,0	434,5	444,4	451,4	455,7	457,1																						
410	78,5	117,3	155,3	192,4	228,5	263,2	296,5	328,0	357,6	385,1	410,4	433,4	453,7	471,5	486,4	498,5	507,6	513,8	516,8																						
420	86,5	129,2	171,1	212,2	252,0	290,5	327,4	362,5	395,6	426,6	455,1	481,2	504,5	525,1	542,7	557,2	568,6	576,8	581,8	583,4																					
430	95,1	142,0	188,1	233,3	277,3	319,9	360,7	399,7	436,6	471,2	503,2	532,7	559,3	582,9	603,4	620,7	634,7	645,2	652,3	655,8																					
440	104,2	155,7	206,4	256,1	304,5	351,4	396,5	439,6	480,6	519,1	555,0	588,1	618,3	645,3	669,0	689,3	706,1	719,2	728,6	734,3	736,2																				
450	114,1	170,4	225,9	280,4	333,6	385,1	434,8	482,4	527,8	570,6	610,6	647,7	681,7	712,3	739,5	763,1	783,0	799,0	811,1	819,2	823,3																				
460	124,6	186,1	246,8	306,4	364,7	421,2	475,8	528,3	578,3	625,7	670,2	711,6	749,7	784,3	815,3	842,5	865,8	885,0	900,0	910,8	917,3	919,5																			
470	135,8	202,9	269,2	334,2	397,9	459,8	519,7	577,3	632,3	684,6	733,9	780,0	822,6	861,5	896,6	927,7	954,7	977,3	995,6	1009,4	1018,7	1023,3																			
480	147,7	220,8	292,9	363,9	433,3	500,9	566,4	629,6	690,0	747,6	802,0	853,1	900,5	944,1	983,6	1019,0	1050,0	1076,4	1098,3	1115,4	1127,7	1135,1	1137,5																		
490	160,4	239,8	318,3	395,4	471,0	544,7	616,2	685,3	751,5	814,8	874,7	931,1	983,7	1032,3	1076,6	1116,6	1151,9	1182,6	1208,3	1229,0	1244,7	1255,1	1260,4																		
500	173,9	260,1	345,2	429,0	511,2	591,4	669,3	744,6	817,0	886,3	952,1	1014,2	1072,4	1126,3	1175,9	1220,8	1260,9	1296,0	1326,0	1350,7	1370,1	1383,9	1392,3	1395,1																	
510	188,3	281,6	373,8	464,7	553,8	640,9	725,6	807,6	886,6	962,3	1034,5	1102,7	1166,8	1226,5	1281,6	1331,9	1377,1	1417,1	1451,7	1480,8	1504,2	1521,8	1533,6	1539,6																	
520	203,5	304,4	404,2	502,5	599,1	693,5	785,4	874,6	960,6	1043,1	1122,0	1196,8	1267,2	1333,1	13																										

# MC-WALL

WINDDRUK: 750N/m<sup>2</sup>  
 PRESSION DU VENT: 750N/m<sup>2</sup>  
 WINDDRUCK: 750N/m<sup>2</sup>  
 WIND PRESSURE: 750N/m<sup>2</sup>

BOUWHOOGTE < 18m  
 HAUTEUR DU BATIMENT < 18m  
 BAUHOHE < 18m  
 BUILDING HEIGHT < 18m

L(cm)	a of/ou/oder/or b (cm)																																
	20	30	40	50	60	70	80	90	100	110	120	130	140	150	160	170	180	190	200	210	220	230	240	250	260	270	280	290	300	310	320		
40	0,03																																
50	0,08																																
60	0,2	0,2																															
70	0,3	0,3																															
80	0,4	0,5	0,5																														
90	0,6	0,8	0,9																														
100	0,8	1,1	1,3	1,3																													
110	1,1	1,5	1,8	1,9																													
120	1,4	2,0	2,4	2,7	2,8																												
130	1,8	2,5	3,1	3,6	3,8																												
140	2,2	3,2	4,0	4,6	5,0	5,1																											
150	2,7	4,0	5,0	5,9	6,4	6,7																											
160	3,3	4,9	6,2	7,3	8,1	8,6	8,8																										
170	4,0	5,9	7,5	8,9	10,0	10,8	11,1																										
180	4,8	7,0	9,0	10,7	12,2	13,2	13,8	14,1																									
190	5,6	8,3	10,7	12,8	14,6	16,0	16,9	17,4																									
200	6,6	9,7	12,5	15,1	17,3	19,1	20,4	21,2	21,4																								
210	7,6	11,3	14,6	17,7	20,3	22,5	24,2	25,4	26,0																								
220	8,8	13,0	16,9	20,5	23,7	26,3	28,5	30,1	31,1	31,4																							
230	10,1	14,9	19,4	23,6	27,3	30,6	33,2	35,3	36,7	37,4																							
240	11,4	16,9	22,1	27,0	31,3	35,2	38,4	41,0	42,9	44,0	44,4																						
250	13,5	20,0	26,1	31,9	37,2	41,9	45,9	49,3	51,8	53,5	54,4																						
260	15,8	23,4	30,7	37,5	43,8	49,5	54,5	58,6	61,9	64,4	65,8	66,3																					
270	18,4	27,3	35,8	43,8	51,3	58,1	64,1	69,2	73,5	76,7	78,8	79,9																					
280	21,3	31,6	41,5	50,9	59,7	67,7	74,9	81,2	86,4	90,6	93,6	95,4	96,0																				
290	24,5	36,4	47,8	58,8	69,0	78,5	87,0	94,6	101,0	106,2	110,2	112,9	114,3																				
300	28,1	41,7	54,9	67,5	79,4	90,5	100,5	109,5	117,3	123,8	128,9	132,6	134,9	135,6																			
310	32,0	47,6	62,7	77,2	90,9	103,7	115,5	126,1	135,4	143,3	149,7	154,6	157,9	159,6																			
320	36,3	54,1	71,3	87,9	103,6	118,4	132,0	144,4	155,4	164,9	172,8	179,1	183,6	186,3	187,2																		
330	41,1	61,2	80,8	99,6	117,6	134,5	150,3	164,6	177,5	188,8	198,4	206,2	212,2	216,1	218,1																		
340	46,4	69,0	91,2	112,5	132,9	152,3	170,3	186,9	201,9	215,2	226,7	236,2	243,8	249,2	252,5	253,5																	
350	52,1	77,6	102,5	126,6	149,7	171,6	192,2	211,3	228,6	244,2	257,7	269,2	278,6	285,7	290,4	292,8																	
360	58,3	86,9	114,9	142,0	168,0	192,8	216,2	237,9	257,9	291,8	305,5	316,8	325,8	332,2	336,1	337,4																	
370	65,1	97,0	128,3	158,7	187,9	215,9	242,3	267,0	289,7	310,5	329,0	345,1	358,7	369,8	378,2	383,8	386,6																
380	72,4	108,0	142,9	176,8	209,6	240,9	270,6	298,5	324,4	348,2	369,5	388,3	404,5	417,9	428,5	436,1	440,6	442,2															
390	80,3	119,9	158,7	196,4	233,0	268,0	301,4	332,8	362,1	389,1	413,6	435,4	454,4	470,4	483,4	493,2	499,8	503,1															
400	88,9	132,7	175,7	217,7	258,3	297,4	334,7	369,9	402,9	433,4	461,3	486,4	508,5	527,4	543,1	555,4	564,3	569,6	571,4														
410	98,2	146,6	194,1	240,6	285,6	329,0	370,6	410,0	447,0	481,4	513,1	541,7	567,2	589,3	608,0	623,1	634,5	642,2	646,0														
420	108,1	161,5	213,9	265,2	315,0	363,2	409,3	453,2	494,5	533,2	568,9	601,4	630,6	656,3	678,3	696,5	710,8	721,1	727,2	729,3													
430	118,8	177,5	235,2	291,7	346,7	399,8	450,9	499,6	545,7	588,9	629,1	665,8	699,1	728,6	754,3	775,9	793,4	806,5	815,4	819,8													
440	130,3	194,6	258,0	320,1	380,6	439,2	495,6	549,5	600,7	648,9	693,8	735,2	772,8	806,6	836,2	861,6	882,6	899,0	910,8	917,9	920,3												
450	142,6	213,0	282,4	350,5	416,9	481,4	543,5	603,1	659,7	713,2	763,3	809,6	852,1	890,4	924,4	953,9	978,7	998,8	1013,9	1024,0	1029,1												
460	155,7	232,7	308,6	383,1	455,8	526,5	594,8	660,3	722,9	782,1	837,7	889,5	937,1	980,4	1019,2	1053,2	1082,2	1106,2	1125,0	1138,5	1146,6	1149,3											
470	169,7	253,6	336,4	417,8	497,3	574,7	649,6	721,6	790,4	855,8	917,4	975,0	1028,2	1076,9	1120,8	1159,6	1193,3	1221,7	1244,5	1261,8	1273,3	1279,1											
480	184,6	276,0	366,2	454,9	541,6	626,1	708,0	786,9	862,5	934,5	1002,5	1066,3	1125,6	1180,1	1229,5	1273,7	1312,5	1345,6	1372,9	1394,2	1409,6	1418,8	1421,9										
490	200,5	299,8	397,8	494,3	588,8	680,9	770,3	856,6	939,4	1018,5	1093,4	1163,9	1229,6	1290,3	1345,8	1395,7	1439,9	1478,2	1510,4	1536,3	1555,8	1568,9	1575,5										
500	217,4	325,1	431,5	536,3	639,0	739,2	836,6	930,7	1021,3	1107,9	1190,1	1267,8	1340,5	1407,9	1469,9	1526,0	1576,1	1620,0	1657,5	1688,4	1712,6	1729,9	1740,4	1743,9									
510	235,4	352,0	467,3	580,8	692,3	801,1	907,0	1009,5	1108,3	1202,9	1293,1	1378,4	1458,5	1533,2	1602,1	1664,9	1721,4	1771,4	1814,6	1851,0	1880,2	1902,3	1917,0	1924,4									
520	254,4	380,5	505,2	628,1	748,8	866,8	981,8	1093,2	1200,7	1303,9	1402,5	1495,9	1584,0	1666,4	1742,7	1812,8	1876,2	1932,7	1982,2	2024,5	2059,3	2086,5	2106,0	2117,8	2121,7								
530	274,6	410,7	545,4	678,2	808,8	936,5	1061,0	1181,9	1298,7	1411,1	1518,5	1620,7	1717,3	1807,9	1892,3	1970,0	2040,8	2104,4	2160,7	2209,3	2250,1	2283,0	2307,8	2324,3	2332,6								
540	295,9	442,7	587,9	731,3	872,2	1010,3	1145,0	1275,9	1402,6	1524,6	1641,6	1753,1	1858,7	1958,1	2051,0	2136,9	2215,7	2286,9	2350,5	2406,0	2453,4	2492,4	2522,9	2544,8	2557,9	2562,3							
550	318,5	476,4	632,9	787,4	939,3	1088,3	1233,7	1375,3	1512,5	1644,8	1771,8	1893,2	2008,4	2117,2	2219,2	2313,9	2401,2	2480,6	2552,0	2615,0	2669,4	2715,1	2751,9	2779,6	2798,1	2807,3							
560	342,3	512,1	680,4	846,6	1010,2	1170,7	1327,6	1480,4	1628,6	1771,8	1909,6	2041,4	2166,9	2285,7	2397,3																		



# MC-WALL

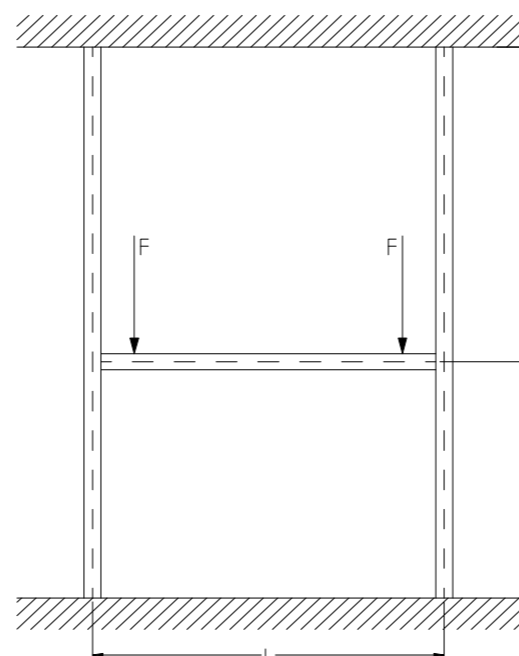
WINDDRUK: 1750N/m<sup>2</sup>  
 PRESSION DU VENT: 1750N/m<sup>2</sup>  
 WINDDRUCK: 1750N/m<sup>2</sup>  
 WIND PRESSURE: 1750N/m<sup>2</sup>

BOUWHOOGTE > 50m  
 HAUTEUR DU BATIMENT > 50m  
 BAUHOHE > 50m  
 BUILDING HEIGHT > 50m

L(cm)	a of/ou/oder/or b (cm)																																			
	20	30	40	50	60	70	80	90	100	110	120	130	140	150	160	170	180	190	200	210	220	230	240	250	260	270	280	290	300	310	320					
40	0,08																																			
50	0,19																																			
60	0,4	0,4																																		
70	0,6	0,7																																		
80	0,9	1,2	1,3																																	
90	1,3	1,8	2,0																																	
100	1,8	2,5	3,0	3,1																																
110	2,5	3,4	4,2	4,5																																
120	3,2	4,6	5,6	6,3	6,5																															
130	4,1	5,9	7,3	8,3	8,9																															
140	5,2	7,5	9,4	10,8	11,7	12,0																														
150	6,4	9,3	11,7	13,7	15,0	15,7																														
160	7,8	11,3	14,4	17,0	18,9	20,1	20,5																													
170	9,4	13,7	17,5	20,8	23,3	25,1	26,0																													
180	11,2	16,3	21,0	25,1	28,4	30,8	32,3	32,8																												
190	13,2	19,3	24,9	29,9	34,0	37,3	39,5	40,6																												
200	15,4	22,6	29,3	35,3	40,4	44,5	47,5	49,4	50,0																											
210	17,8	26,3	34,1	41,2	47,4	52,6	56,5	59,2	60,6																											
220	20,5	30,3	39,4	47,8	55,2	61,5	66,5	70,2	72,5	73,2																										
230	23,5	34,7	45,3	55,0	63,7	71,3	77,5	82,3	85,6	87,2																										
240	26,7	39,5	51,6	62,9	73,1	82,1	89,7	95,7	100,1	102,8	103,7																									
250	31,5	46,6	61,0	74,5	86,8	97,7	107,2	114,9	120,9	124,9	126,9																									
260	36,8	54,6	71,6	87,6	102,3	115,5	127,1	136,8	144,5	150,2	153,6	154,7																								
270	42,9	63,6	83,5	102,3	119,7	135,5	149,5	161,6	171,4	178,9	184,0	186,5																								
280	49,6	73,7	96,8	118,8	139,2	158,0	174,8	189,4	201,7	211,4	218,4	222,7	224,1																							
290	57,1	84,9	111,6	137,1	161,1	183,1	203,1	220,6	235,6	247,9	257,2	263,5	266,7																							
300	65,5	97,3	128,1	157,6	185,3	211,1	234,5	255,5	273,6	288,8	300,7	309,4	314,7	316,4																						
310	74,7	111,1	146,3	180,2	212,2	242,0	269,4	294,1	315,8	334,3	349,3	360,7	368,4	372,3																						
320	84,8	126,2	166,4	205,1	241,8	276,2	308,1	336,9	362,6	384,8	403,3	417,9	428,4	434,8	436,9																					
330	95,9	142,9	188,5	232,5	274,4	313,9	350,6	384,2	414,3	440,6	463,0	481,2	495,0	504,3	509,0																					
340	108,2	161,1	212,7	262,6	310,2	355,3	397,3	436,1	471,1	502,2	528,9	551,2	568,8	581,4	589,1	591,6																				
350	121,5	181,0	239,2	295,4	349,3	400,5	448,5	492,9	533,5	569,7	601,4	628,2	650,0	666,5	677,6	683,2																				
360	136,0	202,8	268,0	331,3	392,0	449,9	504,4	555,1	601,7	643,7	680,8	712,8	739,3	760,2	775,2	784,3	787,3																			
370	151,8	226,4	299,4	370,2	438,5	503,7	565,3	622,9	676,1	724,4	767,6	805,2	837,1	862,9	882,4	895,5	902,1																			
380	168,9	252,0	333,4	412,6	489,0	562,1	631,5	696,6	757,0	812,4	862,2	906,1	943,9	975,2	999,8	1017,5	1028,1	1031,7																		
390	187,5	279,7	370,2	458,4	543,6	625,4	703,2	776,6	844,9	907,9	965,0	1015,9	1060,2	1097,6	1127,9	1150,8	1166,1	1173,8																		
400	207,5	309,7	410,0	507,9	602,7	693,9	780,9	863,1	940,1	1011,4	1076,5	1135,0	1186,5	1230,7	1267,3	1296,0	1316,7	1329,2	1333,3																	
410	229,1	342,0	452,9	561,3	666,4	767,8	864,7	956,6	1043,0	1123,3	1197,1	1264,0	1323,4	1375,1	1418,7	1454,0	1480,6	1498,5	1507,4																	
420	252,3	376,8	499,1	618,8	735,1	847,4	955,0	1057,4	1153,9	1244,1	1327,4	1403,4	1471,5	1531,4	1582,8	1625,2	1658,5	1682,5	1696,9	1701,7																
430	277,3	414,1	548,8	680,6	808,9	932,9	1052,1	1165,8	1273,3	1374,2	1467,8	1553,6	1631,2	1700,2	1760,0	1810,5	1851,2	1881,9	1902,5	1912,9																
440	304,0	454,1	602,0	746,9	888,0	1024,8	1156,4	1282,2	1401,7	1514,0	1618,8	1715,4	1803,3	1882,0	1951,2	2010,4	2059,3	2097,7	2125,2	2141,8	2147,3															
450	332,7	497,0	659,0	817,9	972,9	1123,2	1268,2	1407,1	1539,3	1664,1	1780,9	1889,1	1988,2	2077,7	2157,0	2225,8	2283,7	2330,5	2365,7	2389,4	2401,2															
460	363,3	542,9	720,0	893,8	1063,6	1228,5	1387,8	1540,8	1686,7	1824,9	1954,7	2075,5	2186,6	2287,7	2378,1	2457,4	2525,2	2581,2	2625,0	2656,5	2675,5	2681,8														
470	396,0	591,8	785,0	974,9	1160,5	1341,0	1515,7	1683,7	1844,3	1996,9	2140,6	2274,9	2399,1	2512,7	2615,1	2705,8	2784,5	2850,6	2903,9	2944,1	2971,1	2984,6														
480	430,8	644,0	854,4	1061,3	1263,8	1461,0	1652,1	1836,2	2012,6	2180,5	2339,3	2488,1	2626,4	2753,5	2868,9	2972,0	3062,4	3139,6	3203,3	3253,2	3289,0	3310,6	3317,8													
490	467,9	699,5	928,3	1153,4	1373,9	1588,8	1797,4	1998,7	2192,0	2376,4	2551,2	2715,7	2869,1	3010,8	3140,2	3256,7	3359,8	3449,2	3524,2	3584,7	3630,3	3660,8	3676,1													
500	507,3	758,6	1006,9	1251,3	1490,9	1724,8	1952,0	2171,7	2383,0	2585,0	2777,0	2958,2	3127,8	3285,2	3429,7	3560,7	3677,6	3780,1	3867,5	3939,6	3996,0	4036,5	4060,9	4069,0												
510	549,2	821,3	1090,3	1355,3	1615,3	1869,3	2116,4	2355,6	2586,0	2806,9	3017,2	3216,2	3403,2	3577,4	3738,1	3884,7	4016,6	4133,3	4234,2	4318,9	4387,2	4438,7	4473,1	4490,4												
520	593,6	887,8	1178,8	1465,6	1747,2	2022,6	2290,8	2550,8	2801,7	3042,5	3272,4	3490,5	3696,1	3888,3	4066,4	4229,8	4377,7	4509,7	4625,2	4723,8	4804,9	4868,5	4914,0	4941,4	4950,6											
530	640,7	958,3	1272,6	1582,5	1887,1	2185,2	2475,7	2757,8	3030,4	3292,5	3543,2	3781,7	4007,1	4218,5	4415,3	4596,6	4761,8	4910,3	5041,6	5155,1	5250,3	5327,0	5384,8	5423,5	5442,8											
540	690,5	1032,9	1371,8	1706,3	2035,1	2357,3	2671,6	2977,1	3272,7	3557,4	3830,3	4090,5	4336,9	456																						

IY VOOR EEN GLASGEWICHT: 20kg/m<sup>2</sup> (f ≤ 2mm)  
 IY POUR UN POIDS DU VERRE: 20kg/m<sup>2</sup> (f ≤ 2mm)  
 IY FÜR EIN GLASGEWICHT: 20kg/m<sup>2</sup> (f ≤ 2mm)  
 IY FOR A WEIGHT OF GLASS: 20kg/m<sup>2</sup> (f ≤ 2mm)

H(cm)	L(cm)																																	
	70	80	90	100	110	120	130	140	150	160	170	180	190	200	210	220	230	240	250	260	270	280	290	300	310	320	330	340	350	360	370	380	390	400
50	0.1	0.2	0.3	0.4	0.6	0.9	1.3	1.7	2.2	2.9	3.7	4.6	5.7	7.0	8.6	10.3	12.3	14.6	17.2	20.1	23.4	27.1	31.2	35.7	40.7	46.2	52.2	58.9	66.1	74.0	82.6	91.8	101.9	112.8
60	0.1	0.2	0.3	0.5	0.8	1.1	1.5	2.0	2.7	3.5	4.4	5.5	6.9	8.5	10.3	12.4	14.8	17.5	20.6	24.2	28.1	32.5	37.4	42.8	48.8	55.4	62.7	70.6	79.3	88.8	99.1	110.2	122.3	135.3
70	0.1	0.3	0.4	0.6	0.9	1.3	1.8	2.4	3.1	4.0	5.2	6.5	8.0	9.9	12.0	14.4	17.3	20.5	24.1	28.2	32.8	37.9	43.6	50.0	57.0	64.7	73.1	82.4	92.5	103.6	115.6	128.6	142.7	157.9
80	0.2	0.3	0.5	0.7	1.0	1.5	2.0	2.7	3.6	4.6	5.9	7.4	9.2	11.3	13.7	16.5	19.7	23.4	27.5	32.2	37.5	43.3	49.8	57.1	65.1	73.9	83.6	94.2	105.8	118.4	132.1	147.0	163.0	180.4
90	0.2	0.3	0.5	0.8	1.2	1.6	2.3	3.0	4.0	5.2	6.6	8.3	10.3	12.7	15.4	18.6	22.2	26.3	31.0	36.2	42.1	48.7	56.1	64.2	73.2	83.1	94.0	106.0	119.0	133.2	148.6	165.3	183.4	203.0
100	0.2	0.4	0.6	0.9	1.3	1.8	2.5	3.4	4.5	5.8	7.4	9.2	11.5	14.1	17.1	20.6	24.7	29.2	34.4	40.3	46.8	54.1	62.3	71.4	81.4	92.4	104.5	117.7	132.2	148.0	165.1	183.7	203.8	225.5
110	0.2	0.4	0.6	1.0	1.4	2.0	2.8	3.7	4.9	6.4	8.1	10.2	12.6	15.5	18.8	22.7	27.1	32.2	37.9	44.3	51.5	59.6	68.5	78.5	89.5	101.6	114.9	129.5	145.4	162.8	181.6	202.1	224.2	248.1
120	0.3	0.4	0.7	1.1	1.5	2.2	3.0	4.1	5.4	6.9	8.8	11.1	13.8	16.9	20.6	24.8	29.6	35.1	41.3	48.3	56.2	65.0	74.8	85.6	97.6	110.8	125.4	141.3	158.6	177.6	198.1	220.4	244.6	270.6
130	0.3	0.5	0.8	1.1	1.7	2.4	3.3	4.4	5.8	7.5	9.6	12.0	14.9	18.3	22.3	26.8	32.0	38.0	44.7	52.3	60.9	70.4	81.0	92.8	105.8	120.1	135.8	153.0	171.9	192.4	214.6	238.8	264.9	293.2
140	0.3	0.5	0.8	1.2	1.8	2.6	3.5	4.7	6.2	8.1	10.3	12.9	16.1	19.7	24.0	28.9	34.5	40.9	48.2	56.4	65.5	75.8	87.2	99.9	113.9	129.3	146.3	164.8	185.1	207.2	231.1	257.2	285.3	315.7
150	0.3	0.5	0.9	1.3	1.9	2.7	3.8	5.1	6.7	8.7	11.0	13.9	17.2	21.1	25.7	31.0	37.0	43.8	51.6	60.4	70.2	81.2	93.5	107.0	122.0	138.6	156.7	176.6	198.3	221.9	247.7	275.5	305.7	338.3
160	0.3	0.6	0.9	1.4	2.1	2.9	4.0	5.4	7.1	9.2	11.8	14.8	18.4	22.6	27.4	33.0	39.4	46.8	55.1	64.4	74.9	86.6	99.7	114.2	130.2	147.8	167.2	188.4	211.5	236.7	264.2	293.9	326.1	360.8
170	0.4	0.6	1.0	1.5	2.2	3.1	4.3	5.8	7.6	9.8	12.5	15.7	19.5	24.0	29.1	35.1	41.9	49.7	58.5	68.4	79.6	92.1	105.9	121.3	138.3	157.0	177.6	200.1	224.7	251.5	280.7	312.3	346.5	383.4
180	0.4	0.6	1.0	1.6	2.3	3.3	4.5	6.1	8.0	10.4	13.2	16.6	20.7	25.4	30.8	37.1	44.4	52.6	61.9	72.5	84.3	97.5	112.2	128.4	146.4	166.3	188.1	211.9	238.0	266.3	297.2	330.6	366.8	405.9
190	0.4	0.7	1.1	1.7	2.5	3.5	4.8	6.4	8.5	11.0	14.0	17.6	21.8	26.8	32.6	39.2	46.8	55.5	65.4	76.5	89.0	102.9	118.4	135.6	154.6	175.5	198.5	223.7	251.2	281.1	313.7	349.0	387.2	428.5
200	0.4	0.7	1.2	1.8	2.6	3.7	5.0	6.8	8.9	11.5	14.7	18.5	23.0	28.2	34.3	41.3	49.3	58.5	68.8	80.5	93.6	108.3	124.6	142.7	162.7	184.7	208.9	235.4	264.4	295.9	330.2	367.4	407.6	451.0
210	0.4	0.8	1.2	1.9	2.7	3.8	5.3	7.1	9.4	12.1	15.5	19.4	24.1	29.6	36.0	43.3	51.8	61.4	72.3	84.5	98.3	113.7	130.8	149.9	170.9	194.0	219.4	247.2	277.6	310.7	346.7	385.8	428.0	473.6
220	0.5	0.8	1.3	1.9	2.8	4.0	5.5	7.4	9.8	12.7	16.2	20.3	25.3	31.0	37.7	45.4	54.2	64.3	75.7	88.6	103.0	119.1	137.1	157.0	179.0	203.2	229.8	259.0	290.8	325.5	363.2	404.1	448.4	496.2
230	0.5	0.8	1.3	2.0	3.0	4.2	5.8	7.8	10.3	13.3	16.9	21.3	26.4	32.4	39.4	47.5	56.7	67.2	79.1	92.6	107.7	124.5	143.3	164.1	187.1	212.5	240.3	270.8	304.1	340.3	379.7	422.5	468.7	518.7
240	0.5	0.9	1.4	2.1	3.1	4.4	6.0	8.1	10.7	13.9	17.7	22.2	27.6	33.8	41.1	49.5	59.2	70.1	82.6	96.6	112.4	130.0	149.5	171.3	195.3	221.7	250.7	282.5	317.3	355.1	396.3	440.9	489.1	541.3
250	0.5	0.9	1.4	2.2	3.2	4.6	6.3	8.5	11.1	14.4	18.4	23.1	28.7	35.2	42.8	51.6	61.6	73.1	86.0	100.6	117.0	135.4	155.8	178.4	203.4	230.9	261.2	294.3	330.5	369.9	412.8	459.2	509.5	563.8
260	0.5	0.9	1.5	2.3	3.4	4.7	6.5	8.8	11.6	15.0	19.1	24.0	29.8	36.6	44.5	53.7	64.1	76.0	89.5	104.7	121.7	140.8	162.0	185.5	211.5	240.2	271.6	306.1	343.7	384.7	429.3	477.6	529.9	586.4
270	0.6	1.0	1.6	2.4	3.5	4.9	6.8	9.1	12.0	15.6	19.9	25.0	31.0	38.1	46.3	55.7	66.6	78.9	92.9	108.7	126.4	146.2	168.2	192.7	219.7	249.4	282.1	317.9	356.9	399.5	445.8	496.0	550.3	608.9
280	0.6	1.0	1.6	2.5	3.6	5.1	7.0	9.5	12.5	16.2	20.6	25.9	32.1	39.5	48.0	57.8	69.0	81.8	96.4	112.7	131.1	151.6	174.5	199.8	227.8	258.6	292.5	329.6	370.2	414.3	462.3	514.3	570.6	631.5
290	0.6	1.0	1.7	2.6	3.7	5.3	7.3	9.8	12.9	16.7	21.3	26.8	33.3	40.9	49.7	59.8	71.5	84.8	99.8	116.7	135.8	157.0	180.7	206.9	235.9	267.9	303.0	341.4	383.4	429.1	478.8	532.7	591.0	654.0
300	0.6	1.1	1.7	2.6	3.9	5.5	7.5	10.2	13.4	17.3	22.1	27.7	34.4	42.3	51.4	61.9	74.0	87.7	103.2	120.8	140.5	162.4	186.9	214.1	244.1	277.1	313.4	353.2	396.6	443.9	495.3	551.1	611.4	676.6



# MC-WALL

IY VOOR EEN GLASGEWICHT: 30kg/m<sup>2</sup> (f ≤ 2mm)

IY POUR UN POIDS DU VERRE: 30kg/m<sup>2</sup> (f ≤ 2mm)

IY FÜR EIN GLASGEWICHT: 30kg/m<sup>2</sup> (f ≤ 2mm)

IY FOR A WEIGHT OF GLASS: 30kg/m<sup>2</sup> (f ≤ 2mm)

H(cm)	L(cm)																																	
	70	80	90	100	110	120	130	140	150	160	170	180	190	200	210	220	230	240	250	260	270	280	290	300	310	320	330	340	350	360	370	380	390	400
50	0,2	0,3	0,4	0,7	1,0	1,4	1,9	2,5	3,3	4,3	5,5	6,9	8,6	10,6	12,8	15,5	18,5	21,9	25,8	30,2	35,1	40,6	46,7	53,5	61,0	69,3	78,4	88,3	99,1	111,0	123,8	137,8	152,9	169,1
60	0,2	0,3	0,5	0,8	1,2	1,6	2,3	3,0	4,0	5,2	6,6	8,3	10,3	12,7	15,4	18,6	22,2	26,3	31,0	36,2	42,1	48,7	56,1	64,2	73,2	83,1	94,0	106,0	119,0	133,2	148,6	165,3	183,4	203,0
70	0,2	0,4	0,6	0,9	1,4	1,9	2,6	3,6	4,7	6,1	7,7	9,7	12,1	14,8	18,0	21,7	25,9	30,7	36,1	42,3	49,2	56,9	65,4	74,9	85,4	97,0	109,7	123,6	138,8	155,4	173,4	192,9	214,0	236,8
80	0,3	0,4	0,7	1,1	1,5	2,2	3,0	4,1	5,4	6,9	8,8	11,1	13,8	16,9	20,6	24,8	29,6	35,1	41,3	48,3	56,2	65,0	74,8	85,6	97,6	110,8	125,4	141,3	158,6	177,6	198,1	220,4	244,6	270,6
90	0,3	0,5	0,8	1,2	1,7	2,5	3,4	4,6	6,0	7,8	9,9	12,5	15,5	19,0	23,1	27,9	33,3	39,5	46,5	54,3	63,2	73,1	84,1	96,3	109,8	124,7	141,0	158,9	178,5	199,8	222,9	248,0	275,1	304,5
100	0,3	0,5	0,9	1,3	1,9	2,7	3,8	5,1	6,7	8,7	11,0	13,9	17,2	21,1	25,7	31,0	37,0	43,8	51,6	60,4	70,2	81,2	93,5	107,0	122,0	138,6	156,7	176,6	198,3	221,9	247,7	275,5	305,7	338,3
110	0,3	0,6	1,0	1,5	2,1	3,0	4,2	5,6	7,4	9,5	12,1	15,3	18,9	23,3	28,3	34,1	40,7	48,2	56,8	66,4	77,2	89,3	102,8	117,7	134,2	152,4	172,4	194,2	218,1	244,1	272,4	303,1	336,3	372,1
120	0,4	0,6	1,0	1,6	2,3	3,3	4,5	6,1	8,0	10,4	13,2	16,6	20,7	25,4	30,8	37,1	44,4	52,6	61,9	72,5	84,3	97,5	112,2	128,4	146,4	166,3	188,1	211,9	238,0	266,3	297,2	330,6	366,8	405,9
130	0,4	0,7	1,1	1,7	2,5	3,6	4,9	6,6	8,7	11,3	14,3	18,0	22,4	27,5	33,4	40,2	48,1	57,0	67,1	78,5	91,3	105,6	121,5	139,1	158,6	180,1	203,7	229,6	257,8	288,5	322,0	358,2	397,4	439,8
140	0,4	0,8	1,2	1,9	2,7	3,8	5,3	7,1	9,4	12,1	15,5	19,4	24,1	29,6	36,0	43,3	51,8	61,4	72,3	84,5	98,3	113,7	130,8	149,9	170,9	194,0	219,4	247,2	277,6	310,7	346,7	385,8	428,0	473,6
150	0,5	0,8	1,3	2,0	2,9	4,1	5,7	7,6	10,0	13,0	16,6	20,8	25,8	31,7	38,5	46,4	55,5	65,8	77,4	90,6	105,3	121,8	140,2	160,6	183,1	207,8	235,1	264,9	297,4	332,9	371,5	413,3	458,6	507,4
160	0,5	0,9	1,4	2,1	3,1	4,4	6,0	8,1	10,7	13,9	17,7	22,2	27,6	33,8	41,1	49,5	59,2	70,1	82,6	96,6	112,4	130,0	149,5	171,3	195,3	221,7	250,7	282,5	317,3	355,1	396,3	440,9	489,1	541,3
170	0,5	0,9	1,5	2,2	3,3	4,7	6,4	8,6	11,4	14,7	18,8	23,6	29,3	35,9	43,7	52,6	62,9	74,5	87,8	102,7	119,4	138,1	158,9	182,0	207,5	235,6	266,4	300,2	337,1	377,3	421,0	468,4	519,7	575,1
180	0,6	1,0	1,6	2,4	3,5	4,9	6,8	9,1	12,0	15,6	19,9	25,0	31,0	38,1	46,3	55,7	66,6	78,9	92,9	108,7	126,4	146,2	168,2	192,7	219,7	249,4	282,1	317,9	356,9	399,5	445,8	496,0	550,3	608,9
190	0,6	1,0	1,6	2,5	3,7	5,2	7,2	9,6	12,7	16,5	21,0	26,4	32,7	40,2	48,8	58,8	70,3	83,3	98,1	114,7	133,4	154,3	177,6	203,4	231,9	263,3	297,8	335,5	376,8	421,7	470,5	523,5	580,8	642,7
200	0,6	1,1	1,7	2,6	3,9	5,5	7,5	10,2	13,4	17,3	22,1	27,7	34,4	42,3	51,4	61,9	74,0	87,7	103,2	120,8	140,5	162,4	186,9	214,1	244,1	277,1	313,4	353,2	396,6	443,9	495,3	551,1	611,4	676,6
210	0,7	1,1	1,8	2,8	4,1	5,8	7,9	10,7	14,0	18,2	23,2	29,1	36,2	44,4	54,0	65,0	77,7	92,1	108,4	126,8	147,5	170,6	196,3	224,8	256,3	291,0	329,1	370,8	416,4	466,1	520,1	578,6	642,0	710,4
220	0,7	1,2	1,9	2,9	4,3	6,0	8,3	11,2	14,7	19,1	24,3	30,5	37,9	46,5	56,5	68,1	81,4	96,5	113,6	132,8	154,5	178,7	205,6	235,5	268,5	304,8	344,8	388,5	436,3	488,3	544,8	606,2	672,6	744,2
230	0,7	1,2	2,0	3,0	4,4	6,3	8,7	11,7	15,4	19,9	25,4	31,9	39,6	48,6	59,1	71,2	85,1	100,8	118,7	138,9	161,5	186,8	215,0	246,2	280,7	318,7	360,4	406,2	456,1	510,5	569,6	633,7	703,1	778,1
240	0,8	1,3	2,1	3,2	4,6	6,6	9,1	12,2	16,1	20,8	26,5	33,3	41,3	50,7	61,7	74,3	88,7	105,2	123,9	144,9	168,5	194,9	224,3	256,9	292,9	332,5	376,1	423,8	475,9	532,7	594,4	661,3	733,7	811,9
250	0,8	1,4	2,2	3,3	4,8	6,9	9,4	12,7	16,7	21,7	27,6	34,7	43,1	52,9	64,2	77,4	92,4	109,6	129,0	151,0	175,6	203,1	233,7	267,6	305,1	346,4	391,8	441,5	495,7	554,9	619,1	688,8	764,3	845,7
260	0,8	1,4	2,3	3,4	5,0	7,1	9,8	13,2	17,4	22,5	28,7	36,1	44,8	55,0	66,8	80,5	96,1	114,0	134,2	157,0	182,6	211,2	243,0	278,3	317,3	360,3	407,4	459,1	515,6	577,1	643,9	716,4	794,8	879,5
270	0,9	1,5	2,3	3,6	5,2	7,4	10,2	13,7	18,1	23,4	29,8	37,5	46,5	57,1	69,4	83,6	99,8	118,4	139,4	163,0	189,6	219,3	252,3	289,0	329,5	374,1	423,1	476,8	535,4	599,3	668,7	743,9	825,4	913,4
280	0,9	1,5	2,4	3,7	5,4	7,7	10,6	14,2	18,7	24,2	30,9	38,8	48,2	59,2	72,0	86,7	103,5	122,8	144,5	169,1	196,6	227,4	261,7	299,7	341,7	388,0	438,8	494,4	555,2	621,5	693,4	771,5	856,0	947,2
290	0,9	1,6	2,5	3,8	5,6	7,9	10,9	14,7	19,4	25,1	32,0	40,2	49,9	61,3	74,5	89,8	107,2	127,1	149,7	175,1	203,7	235,5	271,0	310,4	353,9	401,8	454,5	512,1	575,1	643,7	718,2	799,1	886,5	981,0
300	1,0	1,6	2,6	4,0	5,8	8,2	11,3	15,2	20,1	26,0	33,1	41,6	51,7	63,4	77,1	92,9	110,9	131,5	154,9	181,2	210,7	243,7	280,4	321,1	366,1	415,7	470,1	529,8	594,9	665,8	743,0	826,6	917,1	1014,9

