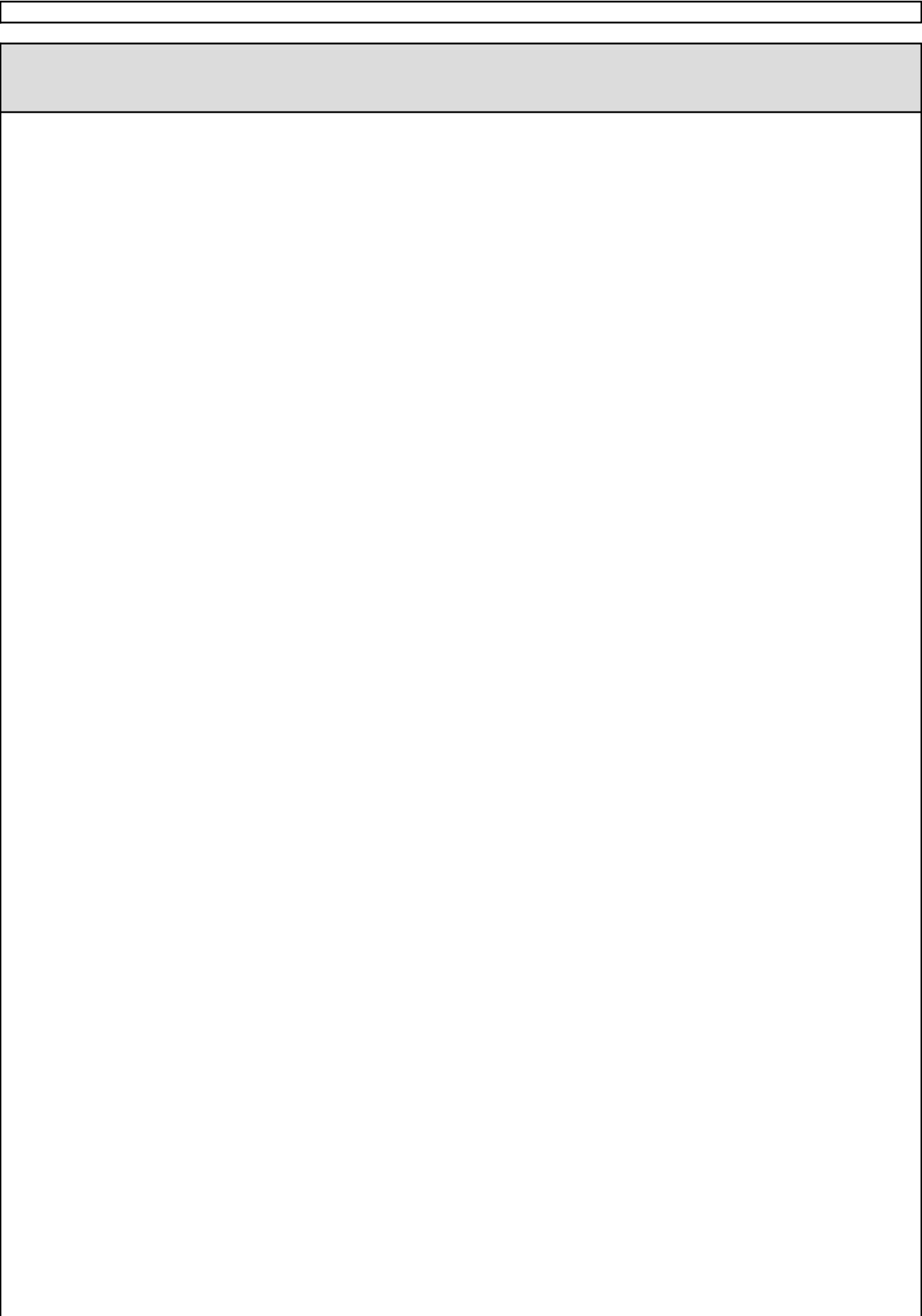


**Main Index**

<b>SPD</b> Index	<b>Index</b> .....	A01 - A02
<b>A</b> SPD	<b>Profiles</b>	
	Specification.....	A04 - A06
	Technical Information.....	A07 - A10
	Scale Profile Drawings.....	A11 - A21
<b>B</b> SPD	<b>Accessories</b>	
	Photos & Drawings.....	B03 - B14
<b>C</b> SPD	<b>Sections</b>	
	Scale Elevations.....	C03 - C16
<b>D</b> SPD	<b>Statics</b> .....	D01 - D02
<b>E</b> SPD	<b>Construction Drawings</b>	
	Corner Joint Details.....	E03
	Drainage.....	E04
	UN3000 Drainage and Fixing.....	E05
	SPD755 Horizontal Coupler Detail.....	E06
	SPD755 Vertical Coupler Detail.....	E07
	Coupling Door with Side Lights and Fanlight.....	E08 - E09
	SPD730 Transom Fixing.....	E10
	ACPD742 Letter Box Preparation.....	E11
	Glazing Details.....	E12 - E15
<b>F</b> SPD	<b>Sawing Tables</b>	
	Fixed Light.....	F03
	Fixed Light with Transom.....	F04



## Updates

DATE	PAGE	DESCRIPTION

## Specification

### GENERAL DESCRIPTION

Designer Doors are a range of doors to suit all types and styles of home:

- Modern Door Range - Ideal for new homes and apartments, offering a modern look for a striking design statement.
- Traditional Door Range - Designed to recreate the traditional elegance of Victorian, Edwardian and Georgian entrance doors.
- Cottage Range - Has been inspired by the timeless elegance of traditional village cottages and country homes, their designs developed to perfectly suit the more classical house styles.
- Vintage Range - Designed to reflect the timeless elegance and classic style of 1920s and 1930s Art Deco doors.

By using the correct glass/spacer bar configurations, Designer Doors can achieve and exceed the current Approved Document L requirements.

Important Note: Corner assembly of side lights and fanlights using SPD710 is by manual crimper only.

### PROFILE SPECIFICATION

The door frame is constructed of aluminium alloy extrusion to BS EN 755-9 and BS EN 12020, extruded from 6060 T6 alloy. The internal and external extrusions are separated with a polyamide thermal break.

The external aluminium alloy extrusion is pre-treated and finished either:-

- a) Anodised to BS 3987: 1987, grade AA25 to a natural self colour.
- b) Polyester powder organic coating to BS 6496. Dual colour is available.

### GENERAL MANUFACTURING

Outer and vent frames are made by cutting the frame profiles with accurate 45° mitred ends using Tungsten Carbide Tipped Saw Blades, operating at approximately 3000 rpm.

The door outer frame and sash corners are joined using the Designer Doors mechanical cleats to form a cold forged corner joint.

The fixed light corners are joined using crimping cleats to form a cold forged corner joint (made by deforming small slugs of metal into the groove of the corner cleat).

The ends of transoms and mullions are profiled to fit the frame and fixed using self-tapping screws with a small joint sealant.

On polyester powder coated finishes, great care should be taken to avoid getting gap sealer on visible surfaces and should be removed as soon as possible with a clean cloth.

Care should be exercised when using products not supplied by Smart Systems Ltd as no responsibility can be accepted.

## Specification

### DESIGNER DOOR OVERALL SIZE LIMITATIONS

Doors	Maximum Width (mm)	Minimum Width (mm)	Maximum Height (mm)	Minimum Height (mm)
Modern	1200	860 <sup>(a)</sup>	2400	1960 <sup>(a)</sup>
Traditional	1200	880	2400	2050
Cottage	1200	880	2400	2050
Vintage	1200	880	2400	2050

**Note: a) Size Limit varies based on design. Please check limits on <https://smartdoorbuilder.co.uk/>**

For advise on sizes outside of the design limitations, please contact the Technical Department at Smart Systems Ltd Tel: 01934 876100

### DRAINAGE

As with all dry glazed systems, it is recommended that the system is adequately drained and ventilated. Refer to drainage details in manual, if in doubt ask The Technical Department.

### OUTER FRAME MANUFACTURING INFORMATION

The outer frame members are cut with 45° mitred ends to the overall size required, measured to the longest point of the metal.

Prior to corner crimping, the centre line position of any transoms or mullions should be marked on the outer frame members. Where the transom/mullion runs right through, it should be marked out on both jambs or head and cill members in pairs to ensure accurate alignment of the sections.

Using the marked centre line, drill the transom/mullion fixing holes using a 5mm dia. drill bit.

Corners are formed by coating the cut faces to be joined with a suitable small gap sealer ACSIL04. Into the mitred corner insert the cleat glue ACSIL013 and the required corner cleats and, where required, the aluminium corner chevrons. The two mitred ends are then brought together and crimped. The small gap sealer ensures a permanent joint and guards against the ingress of moisture and joint movement. After crimping the corner joint, special care should be taken to ensure any excess sealer is removed from painted surfaces.

Transoms or mullions are cut with square ends to the sizes calculated on the cutting formula sheets. The ends are then profiled to allow them to fit into the outer frame. Special tooling is available on request to profile the end of transom/mullion.

Prior to fixing of transoms and mullions smear the cut ends with a suitable small gap sealer ACSIL04. After fixing, special care should be taken to ensure any excess is cleared from painted surfaces.

## Specification

### GLAZING

All beads are cut to suit the glazing aperture on the fully assembled frame for glazing either at factory or on site as required.

### INTERNALLY BEADED GLAZING

Glazing beads are fitted to openings by cutting the horizontal beads square to head and cill of each fixed light area. Vertical beads are cut square at both ends. Insert bottom beads and two setting blocks to ensure glass will be centralized in vertical dimension of opening (glazing blocks must be full width of cavity to fully support glass or sealed unit), then insert top bead followed by side beads. Finish glazing by insertion of internal gaskets all round.

### GLAZING SPECIFICATION

All Designer Doors where glass is included are triple glazed units, either 66.8mm thick or 61.6mm depending on the design.

The majority of our modern doors have a glass unit that has a thickness of 66.8mm and is not replaceable after door manufacture.

For all the doors that have raised glass mouldings the glass specification is as follows (Outside to Inside):

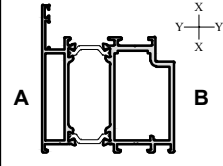
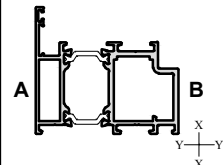
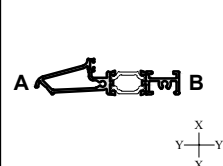
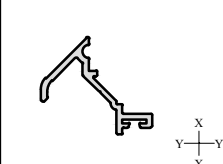
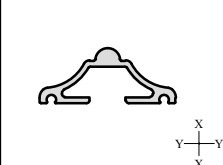
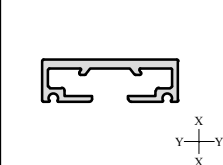
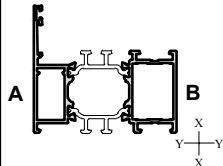
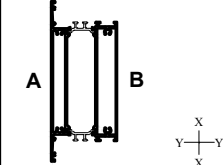
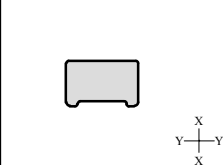
- 6.8mm Clear Laminated
- 24mm Warm Edge Spacer
- 4mm Toughened Satin
- 24mm Warm Edge Spacer
- 6.8mm Planitherm Total Plus

N.B. If necessary it is possible to replace the glazing on all doors that have raised glass mouldings from the inside of the door only. See pages E13 - E15 for details.

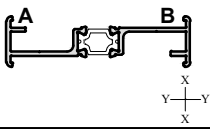
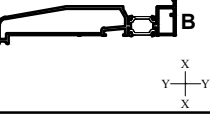
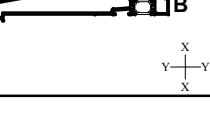
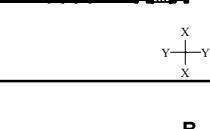
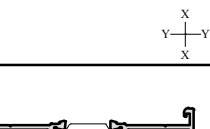
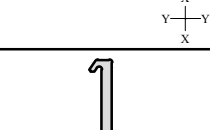
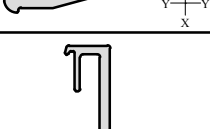
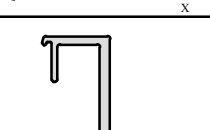
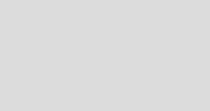
### Designer Doors U Values

Please refer to the Smart Systems' Document L White Paper for more information or contact the Technical Department.

**PROFILES : TECHNICAL INFORMATION**

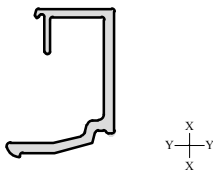
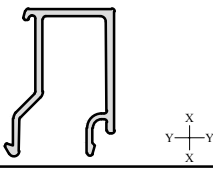
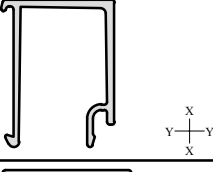
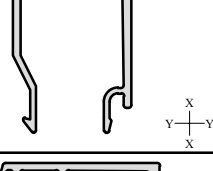
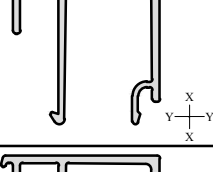
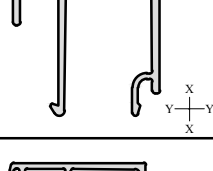
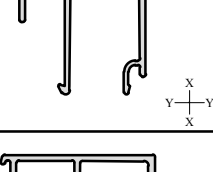
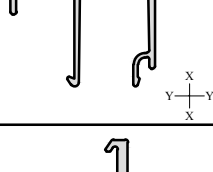
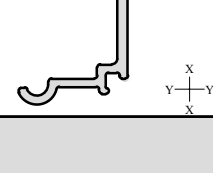
Number	Picture	Page	Perim. mm	Mec. mm	lx(cm4) wx(cm3)	ly(cm4) wy(cm3)	Length	Pack pr.	MF	SA	KL	HP	M	
SPD701		A11	517	154	47.76 — 13.01	35.2 — 10.7	6.5	1	✓	✓	✓	✓	✓	
SPD702		A11	453	121.6	38.08 — 10.43	15.99 — 6.47	6.5	1	✓	✓	✓	✓	✓	
SPD703		A12	345	64	32.94 — 6.76	1.21 — 1.29	6.5	1		✓				
SPD706		A14	146	27	- — -	- — -	6.5	1	✓	✓	✓	✓		
SPD760		A14	165	64	- — -	- — -	6.5	1	✓	✓	✓	✓		
SPD762		A14	216	73	- — -	- — -	6.5		✓	✓	✓	✓		
SPD710		A16	401	107	33.02 — 8.76	10.75 — 4.7	6.5		✓	✓	✓	✓	✓	
SPD730		A17	671	107	259.16 — 30.49	95.55 — 29.40	6.5		✓	✓	✓	✓	✓	
SPD750		A21	31	10	- — -	- — -	4			✓				
									A = Outside B = Inside		MF = Mill Finish SA = Silver Anodised KL = Basic Colour HP = Special Colour M = Dual Colour			

PROFILES : TECHNICAL INFORMATION

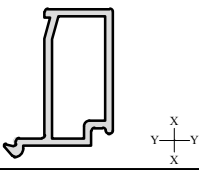
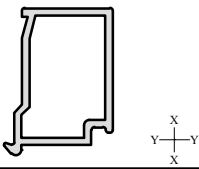
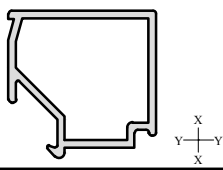
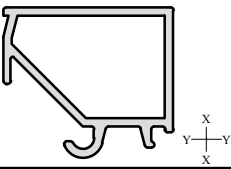
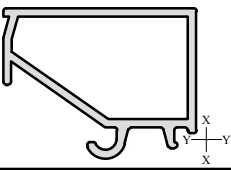
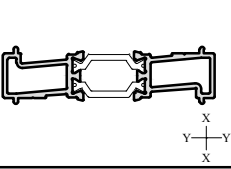
Number	Picture	Page	Perim. mm	Mec. mm	Ix(cm4) wx(cm3)	Iy(cm4) wy(cm3)	Length	Pack pr.	MF	SA	KL	HP	M	
SPD755		A15	301	50	18.29 — 4.81	0.67 — 0.64	6.5		✓	✓	✓	✓	✓	
ETC457		A20	444	212	163.27 ----- 21.60	6.79 ----- 3.73	6.5	1	✓	✓	✓	✓	✓	
ETC458		A20	524	252	313.62 ----- 32.63	8.87 ----- 4.79	6.5	1	✓	✓	✓	✓	✓	
ETC477		A21	782	404	1591.6 ----- 105.33	26.84 ----- 12.84	5	1	✓	✓	✓	✓	✓	
ETC479		A20	594	287	501.64 ----- 44.04	9.72 ----- 5.34	6.5	1	✓	✓	✓	✓	✓	
ETD057		A15	251	41	16.30 ----- 4.66	1.12 ----- 1.55	6.5	1	✓	✓	✓	✓	✓	
GL004		A18	88.6	24.6	- ----- -	- ----- -	6.5	1	✓	✓	✓	✓		
GL008		A18	109.4	29.4	- ----- -	- ----- -	6.5	1	✓	✓	✓	✓		
GL012		A18	117.4	33.4	- ----- -	- ----- -	6.5	1	✓	✓	✓	✓		
									A = Outside B = Inside		MF = Mill Finish SA = Silver Anodised KL = Basic Colour HP = Special Colour M = Dual Colour			



**PROFILES : TECHNICAL INFORMATION**

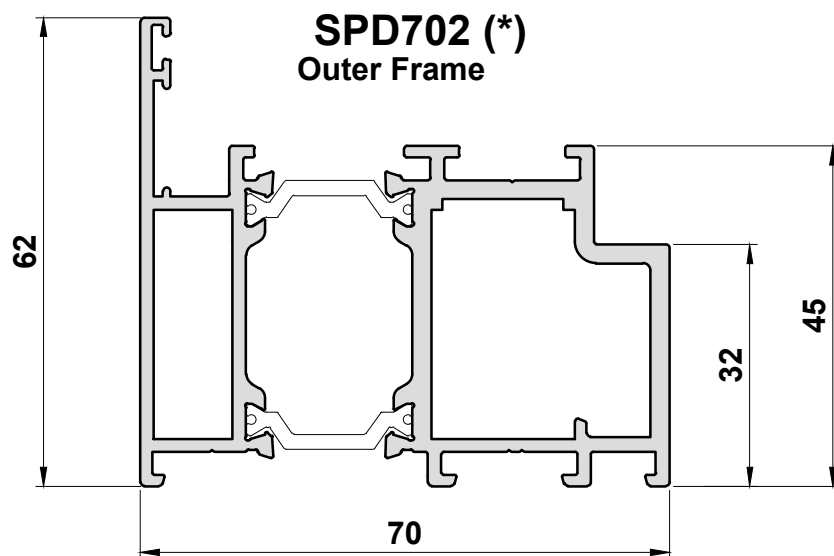
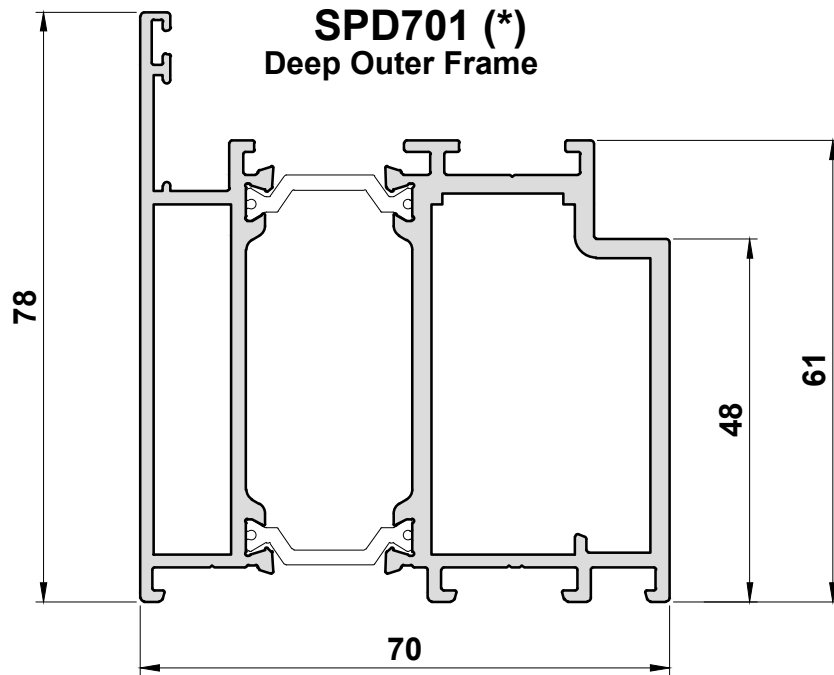
Number	Picture	Page	Perim. mm	Mec. mm	lx(cm4) wx(cm3)	ly(cm4) wy(cm3)	Length	Pack pr.	MF	SA	KL	HP	M	
GL014		A18	121.3	35.4	- -	- -	6.5	1	✓	✓	✓	✓		
GL016		A18	146.7	37.3	- -	- -	6.5	1	✓	✓	✓	✓		
GL020		A18	151.7	41.6	- -	- -	6.5	1	✓	✓	✓	✓		
GL023		A18	160.2	44.3	- -	- -	6.5	1	✓	✓	✓	✓		
GL026		A18	169.2	47.3	- -	- -	6.5	1	✓	✓	✓	✓		
GL028		A18	183.8	49.2	- -	- -	6.5	1	✓	✓	✓	✓		
GL030		A18	187.8	51.2	- -	- -	6.5	1	✓	✓	✓	✓		
GL034		A18	195.8	55.3	- -	- -	6.5	1	✓	✓	✓	✓		
GL504		A19	96.2	24.6	- -	- -	6.5	1	✓	✓	✓	✓		
									A = Outside B = Inside		MF = Mill Finish SA = Silver Anodised KL = Basic Colour HP = Special Colour M = Dual Colour			

PROFILES : TECHNICAL INFORMATION

Number	Picture	Page	Perim. mm	Mec. mm	Ix(cm4) wx(cm3)	Iy(cm4) wy(cm3)	Length	Pack pr.	MF	SA	KL	HP	M	
GL512		A19	90.5	33.6	- -	- -	6.5	1	✓	✓	✓	✓		
GL516		A19	90.1	37.6	- -	- -	6.5	1	✓	✓	✓	✓		
GL526		A19	112.2	47.6	- -	- -	6.5	1	✓	✓	✓	✓		
GL530		A19	131.2	51.6	- -	- -	6.5	1	✓	✓	✓	✓		
GL534		A19	137.3	55.6	- -	- -	6.5	1	✓	✓	✓	✓		
UN3000		A15	200	52	15.8 — 4.51	0.79 — 0.84	6.5	1	✓	✓	✓	✓	✓	
									A = Outside B = Inside		MF = Mill Finish SA = Silver Anodised KL = Basic Colour HP = Special Colour M = Dual Colour			

Primary Visible Side

Secondary Visible Side

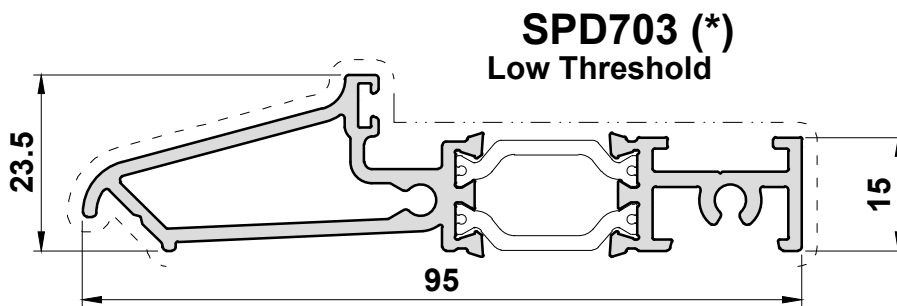


(\*) Sold as part of assembled door. Not sold separately.

Scale 1:1

Primary Visible Side

Secondary Visible Side



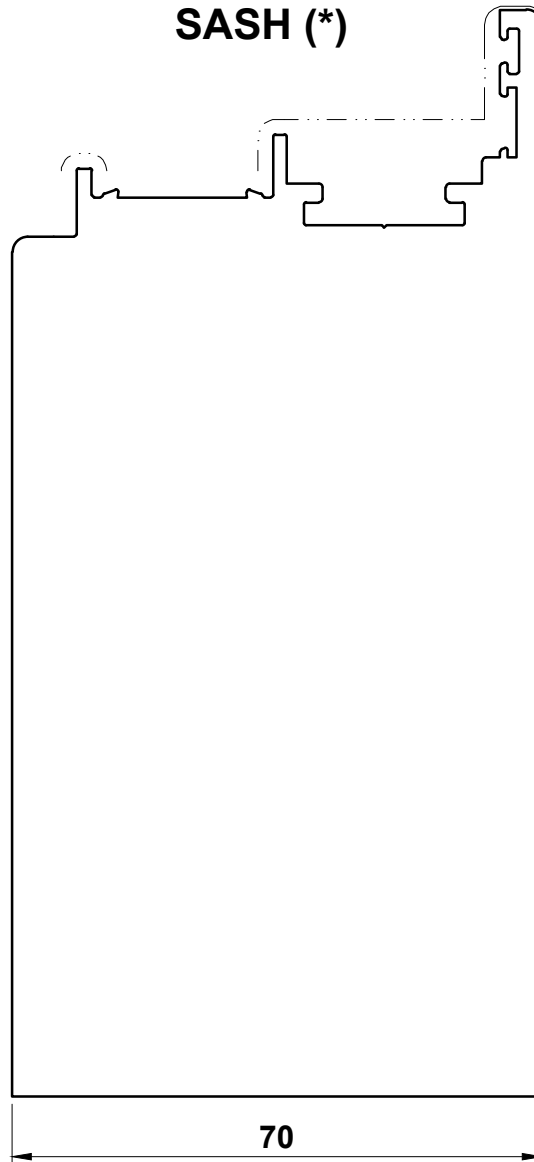
Scale 1:1

**(\*) Sold as part of assembled door. Not sold separately.**

Primary Visible Side

Secondary Visible Side

**SASH (\*)**



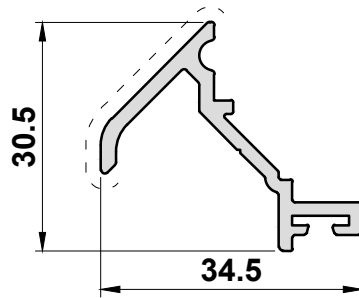
**(\*) Sold as part of assembled door. Not sold separately.**

Scale 1:1

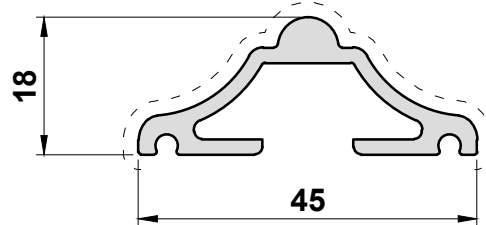
Primary Visible Side

Secondary Visible Side

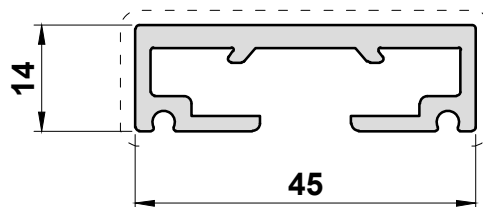
**SPD706 (\*)**  
Weather Drip  
for SPD703



**SPD760 (\*)**  
Moulding



**SPD762 (\*)**  
Rectangular Moulding

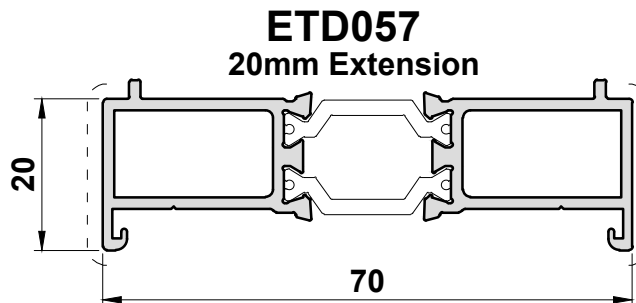
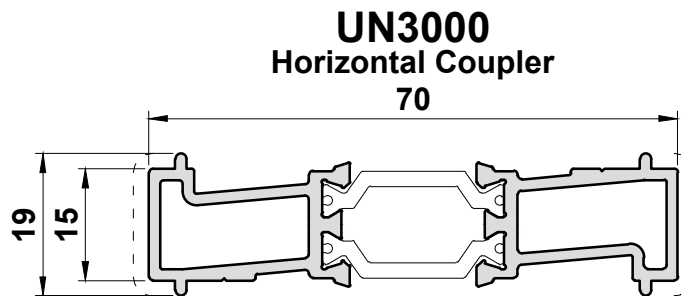
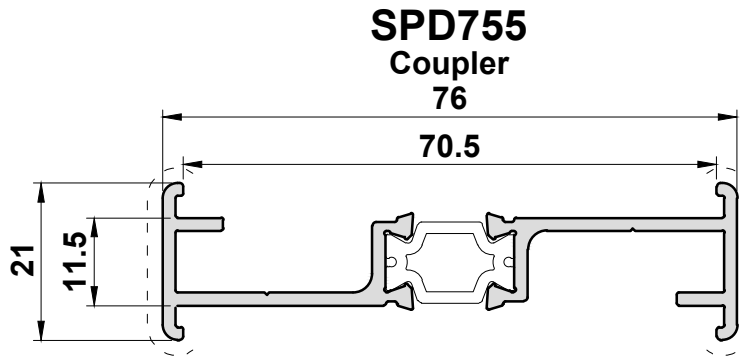


Scale 1:1

**(\*) Sold as part of assembled door. Not sold separately.**

Primary Visible Side

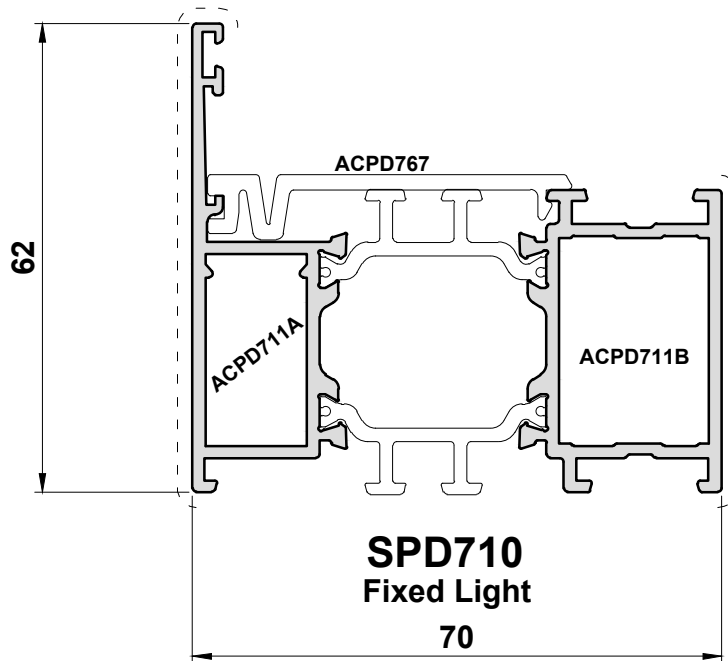
Secondary Visible Side



Scale 1:1

Primary Visible Side

Secondary Visible Side

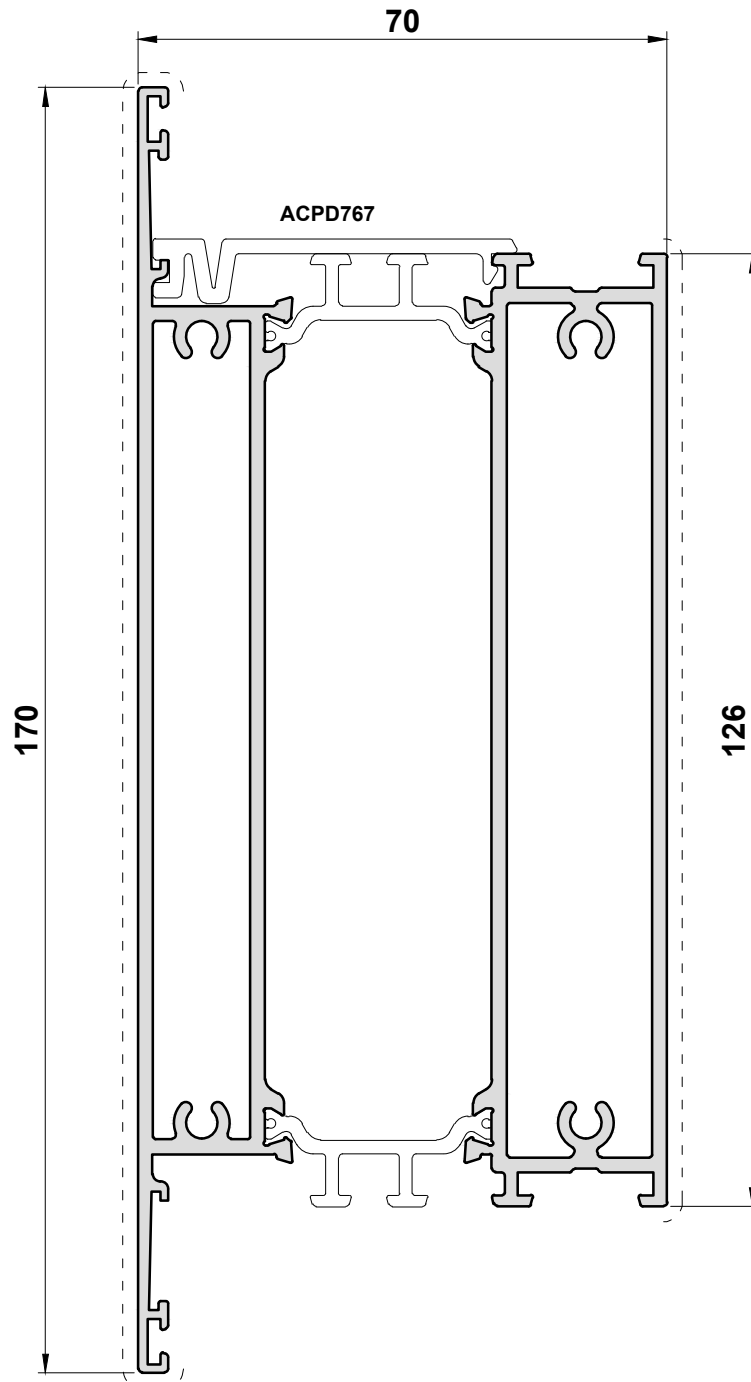


Scale 1:1



Primary Visible Side

Secondary Visible Side

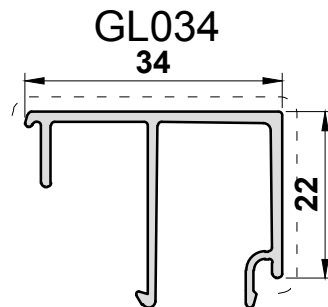
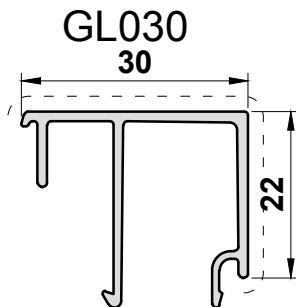
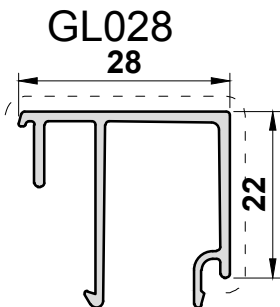
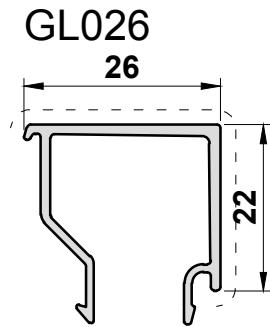
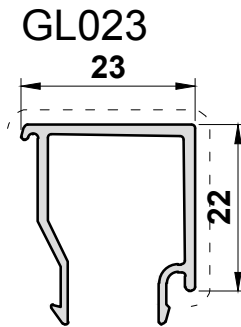
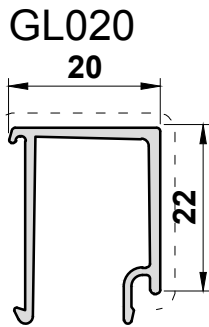
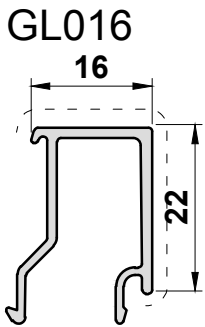
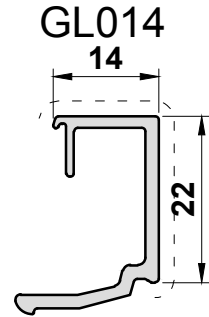
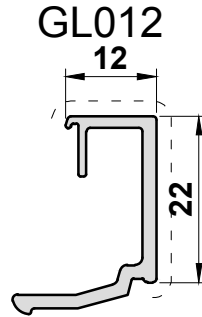
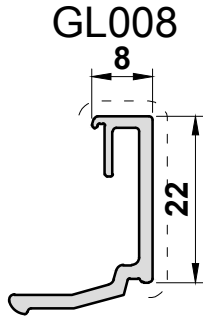
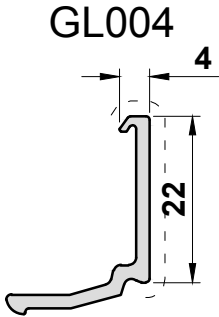


**SPD730**  
Deep Transom

Scale 1:1

Primary Visible Side

Secondary Visible Side

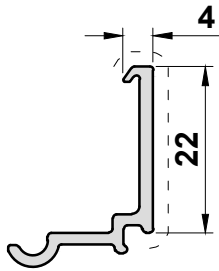


Scale 1:1

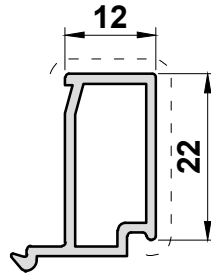
Primary Visible Side

Secondary Visible Side

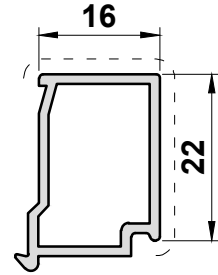
GL504



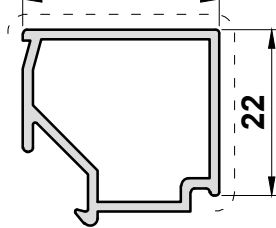
GL512



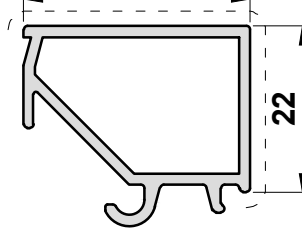
GL516



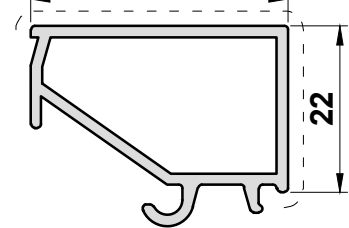
GL526  
26



GL530  
30



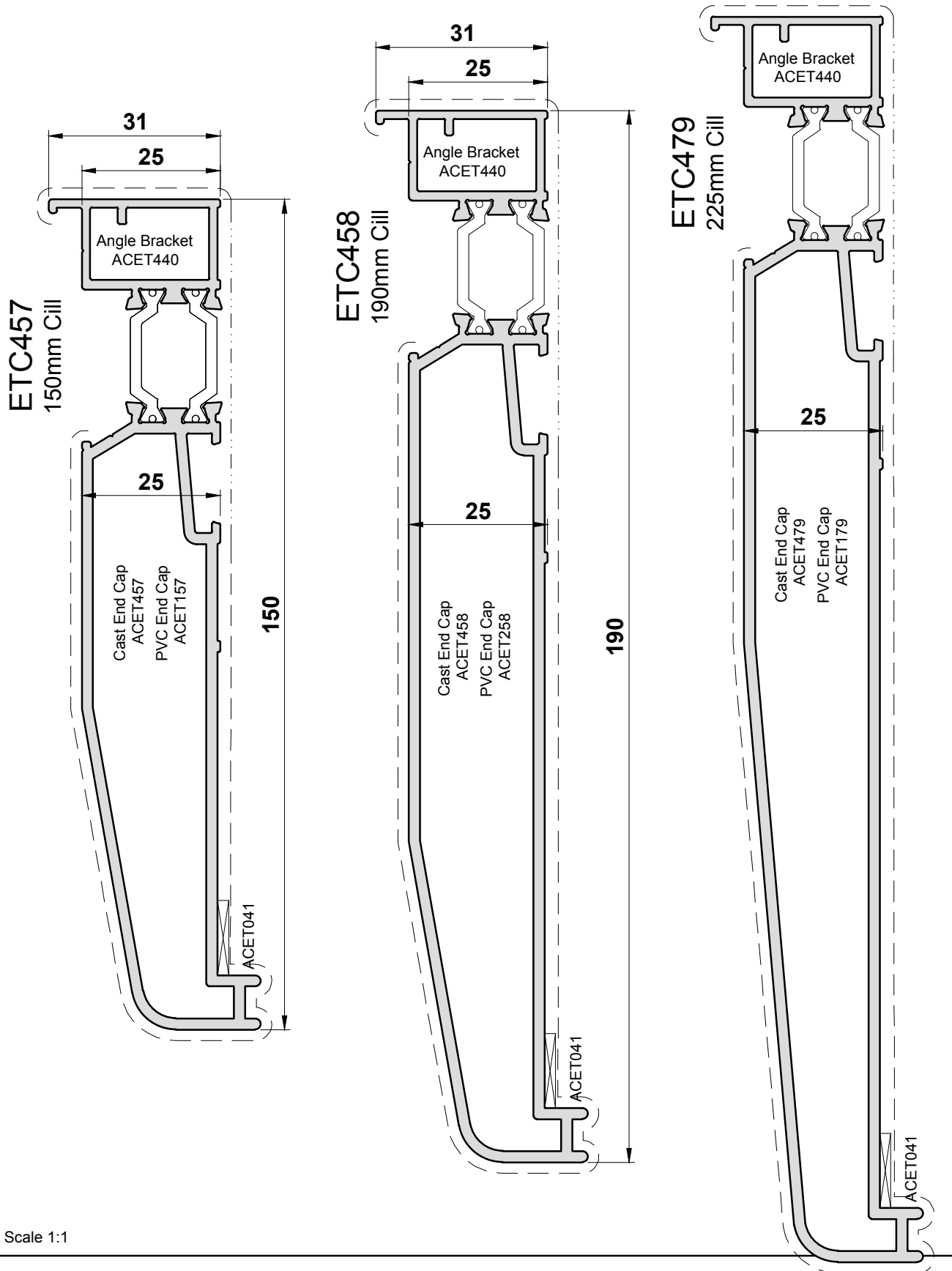
GL534  
34



Scale 1:1

Primary Visible Side

Secondary Visible Side

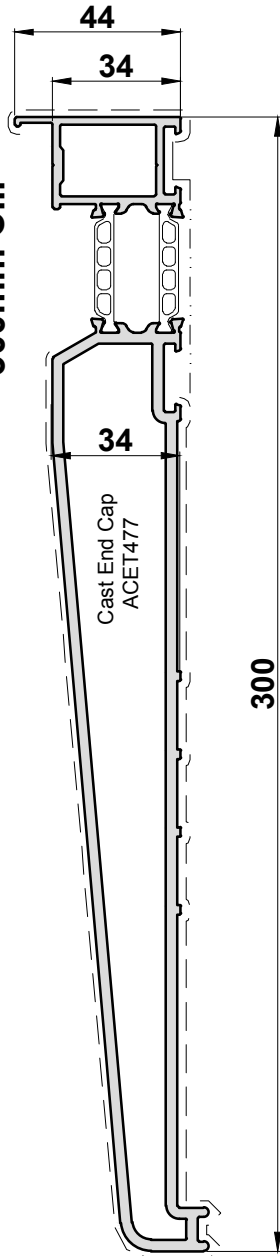


Scale 1:1

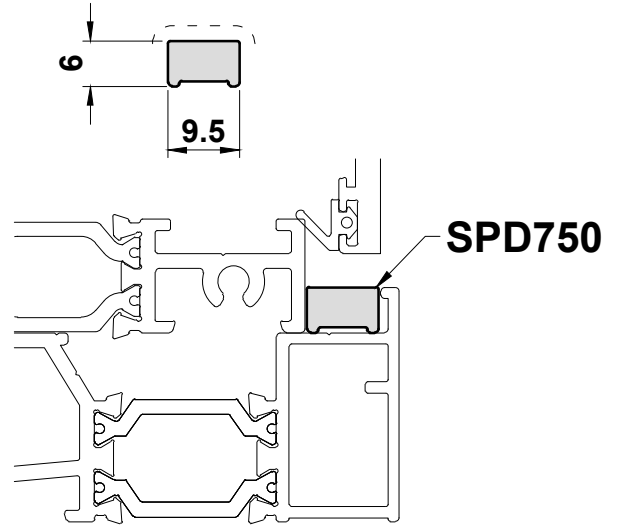
Primary Visible Side

Secondary Visible Side

**ETC477**  
300mm Cill



**SPD750**  
Cill Infill



Scale 1:2

Primary Visible Side

Secondary Visible Side

**This page intentionally left blank**

Scale 1:1

**Section B**

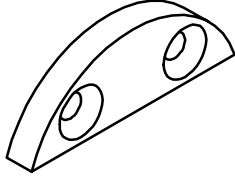
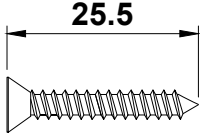
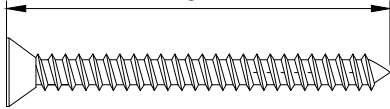
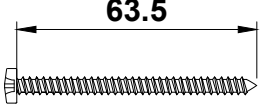
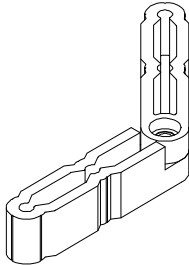


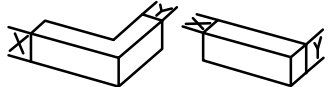
**Accessories**

**Photos & Drawings**

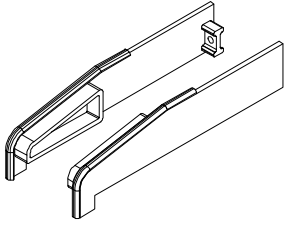
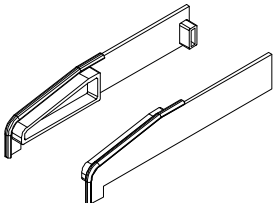
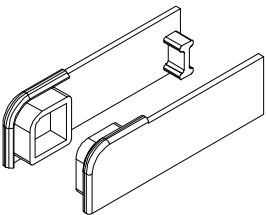
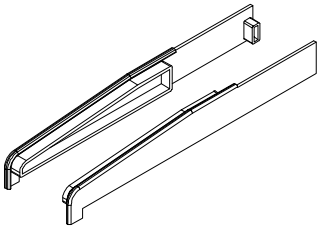
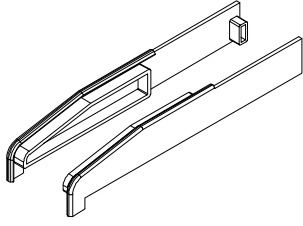


This page intentionally left blank



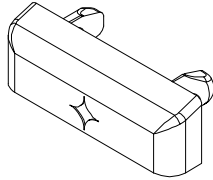
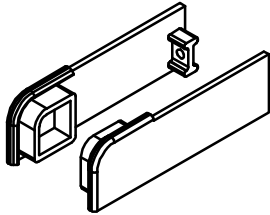
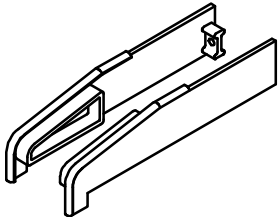
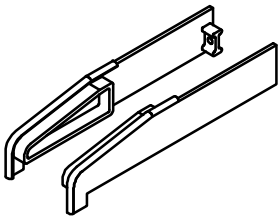
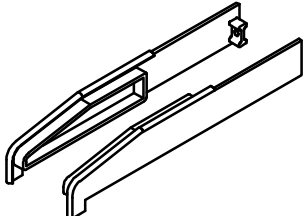


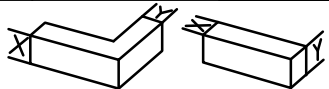
**ACCESSORIES : PHOTOS & DRAWINGS**

Image	Part Code	Pack	Unit	Application	Colour																		
	<b>ACET041</b>  Nose Bracket Variable Cill Joint	<b>1</b>	<b>each</b>		<table border="1"> <tr><td>MF</td><td></td></tr> <tr><td>SA</td><td></td></tr> <tr><td>KL</td><td></td></tr> <tr><td>HP</td><td></td></tr> <tr><td>SSC</td><td></td></tr> <tr><td>SMC</td><td></td></tr> <tr><td>W</td><td></td></tr> <tr><td>Z</td><td></td></tr> <tr><td>PC</td><td></td></tr> </table>	MF		SA		KL		HP		SSC		SMC		W		Z		PC	
MF																							
SA																							
KL																							
HP																							
SSC																							
SMC																							
W																							
Z																							
PC																							
	<b>ACET060</b>  7 x 1" S/S Self Tapping CSK Screw	<b>100</b>	<b>pack</b>		<table border="1"> <tr><td>MF</td><td></td></tr> <tr><td>SA</td><td></td></tr> <tr><td>KL</td><td></td></tr> <tr><td>HP</td><td></td></tr> <tr><td>SSC</td><td></td></tr> <tr><td>SMC</td><td></td></tr> <tr><td>W</td><td></td></tr> <tr><td>Z</td><td></td></tr> <tr><td>PC</td><td></td></tr> </table>	MF		SA		KL		HP		SSC		SMC		W		Z		PC	
MF																							
SA																							
KL																							
HP																							
SSC																							
SMC																							
W																							
Z																							
PC																							
	<b>ACET062</b>  No.10 x 2" S/S Self Tapping CSK Screw	<b>100</b>	<b>pack</b>		<table border="1"> <tr><td>MF</td><td></td></tr> <tr><td>SA</td><td></td></tr> <tr><td>KL</td><td></td></tr> <tr><td>HP</td><td></td></tr> <tr><td>SSC</td><td></td></tr> <tr><td>SMC</td><td></td></tr> <tr><td>W</td><td></td></tr> <tr><td>Z</td><td></td></tr> <tr><td>PC</td><td></td></tr> </table>	MF		SA		KL		HP		SSC		SMC		W		Z		PC	
MF																							
SA																							
KL																							
HP																							
SSC																							
SMC																							
W																							
Z																							
PC																							
	<b>ACET079</b>  No. 10 x 2½" Pan Head Screw	<b>100</b>	<b>pack</b>		<table border="1"> <tr><td>MF</td><td></td></tr> <tr><td>SA</td><td></td></tr> <tr><td>KL</td><td></td></tr> <tr><td>HP</td><td></td></tr> <tr><td>SSC</td><td></td></tr> <tr><td>SMC</td><td></td></tr> <tr><td>W</td><td></td></tr> <tr><td>Z</td><td></td></tr> <tr><td>PC</td><td></td></tr> </table>	MF		SA		KL		HP		SSC		SMC		W		Z		PC	
MF																							
SA																							
KL																							
HP																							
SSC																							
SMC																							
W																							
Z																							
PC																							
	<b>ACET440</b>  Variable Angle Cill Bracket	<b>10</b>	<b>pack</b>	<b>ETC451</b> <b>ETC452</b> <b>ETC457</b> <b>ETC458</b> <b>ETC477</b> <b>ETC479</b>	<table border="1"> <tr><td>MF</td><td>✓</td></tr> <tr><td>SA</td><td></td></tr> <tr><td>KL</td><td></td></tr> <tr><td>HP</td><td></td></tr> <tr><td>SSC</td><td></td></tr> <tr><td>SMC</td><td></td></tr> <tr><td>W</td><td></td></tr> <tr><td>Z</td><td></td></tr> <tr><td>PC</td><td></td></tr> </table>	MF	✓	SA		KL		HP		SSC		SMC		W		Z		PC	
MF	✓																						
SA																							
KL																							
HP																							
SSC																							
SMC																							
W																							
Z																							
PC																							
 <p>T-BARS ACVG65=2.5mm ACVG66=3.0mm ACVL150=4.0mm</p>  <p>Screw (Grub)</p>	<p>MF = Mill Finish SA = Silver Anodised KL = Basic Colour HP = Special Colour SSC = Smooth Satin Chrome SMC = Smokey Chrome PC = Polished Chrome</p>	<p>W = White Z = Black</p>																					

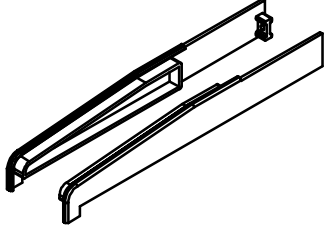
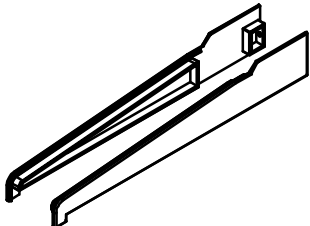
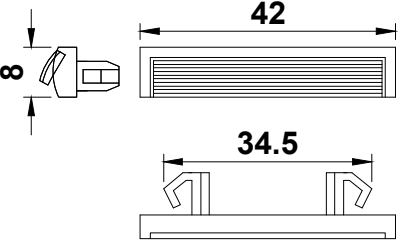
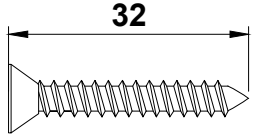
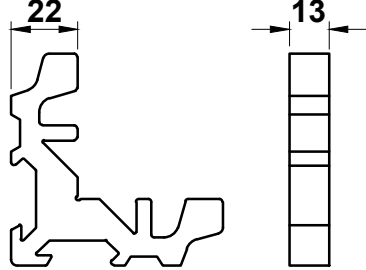

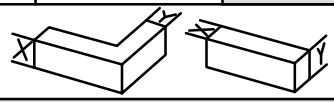
**ACCESSORIES : PHOTOS & DRAWINGS**

Image	Part Code	Pack	Unit	Application	Colour	
	<b>ACET152</b> PVC Cill End Cap	<b>10</b>	<b>pairs</b>	<b>ETC452</b>	MF	
					SA	
					KL	
					HP	
					SSC	
					SMC	
					W	✓
					Z	✓
					PC	
						<b>ACET157</b> PVC Cill End Cap
SA						
KL						
HP						
SSC						
SMC						
W	✓					
Z	✓					
PC						
	<b>ACET178</b> PVC Cill End Cap	<b>10</b>	<b>pairs</b>	<b>ETC451</b>		
					SA	
					KL	
					HP	
					SSC	
					SMC	
					W	✓
					Z	✓
					PC	
						<b>ACET179</b> PVC Cill End Cap
SA						
KL						
HP						
SSC						
SMC						
W	✓					
Z	✓					
PC						
	<b>ACET258</b> PVC Cill End Cap	<b>10</b>	<b>pairs</b>	<b>ETC458</b>		
					SA	
					KL	
					HP	
					SSC	
					SMC	
					W	✓
					Z	✓
					PC	
					 T-BARS ACVG685=2.5mm ACVG666=3.0mm ACVL150=4.0mm	 Screw (Grub)

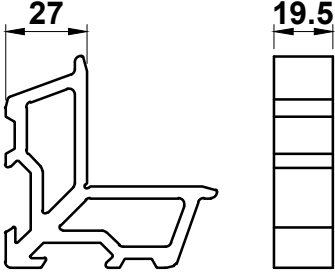
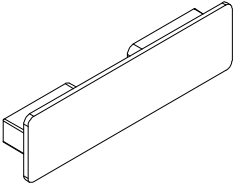
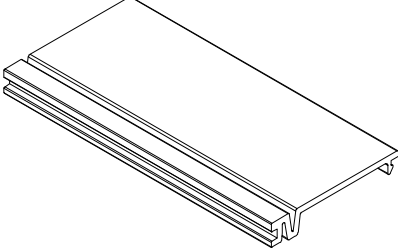
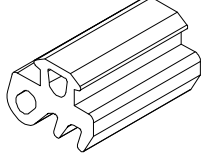
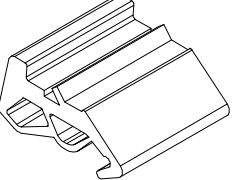

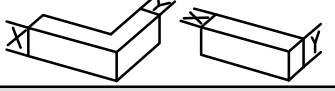
**ACCESSORIES : PHOTOS & DRAWINGS**

Image	Part Code	Pack	Unit	Application	Colour																		
	<b>ACET431</b> Colour Match Drainage Cap	8	pack		<table border="1"> <tr><td>MF</td><td></td></tr> <tr><td>SA</td><td></td></tr> <tr><td>KL</td><td>✓</td></tr> <tr><td>HP</td><td>✓</td></tr> <tr><td>SSC</td><td></td></tr> <tr><td>SMC</td><td></td></tr> <tr><td>W</td><td></td></tr> <tr><td>Z</td><td></td></tr> <tr><td>PC</td><td></td></tr> </table>	MF		SA		KL	✓	HP	✓	SSC		SMC		W		Z		PC	
MF																							
SA																							
KL	✓																						
HP	✓																						
SSC																							
SMC																							
W																							
Z																							
PC																							
	<b>ACET451</b> Cast Cill End Cap	1	pair	<b>ETC451</b>	<table border="1"> <tr><td>MF</td><td>✓</td></tr> <tr><td>SA</td><td></td></tr> <tr><td>KL</td><td>✓</td></tr> <tr><td>HP</td><td>✓</td></tr> <tr><td>SSC</td><td></td></tr> <tr><td>SMC</td><td></td></tr> <tr><td>W</td><td>✓</td></tr> <tr><td>Z</td><td>✓</td></tr> <tr><td>PC</td><td></td></tr> </table>	MF	✓	SA		KL	✓	HP	✓	SSC		SMC		W	✓	Z	✓	PC	
MF	✓																						
SA																							
KL	✓																						
HP	✓																						
SSC																							
SMC																							
W	✓																						
Z	✓																						
PC																							
	<b>ACET452</b> Cast Cill End Cap	1	pair	<b>ETC452</b>	<table border="1"> <tr><td>MF</td><td>✓</td></tr> <tr><td>SA</td><td></td></tr> <tr><td>KL</td><td>✓</td></tr> <tr><td>HP</td><td>✓</td></tr> <tr><td>SSC</td><td></td></tr> <tr><td>SMC</td><td></td></tr> <tr><td>W</td><td>✓</td></tr> <tr><td>Z</td><td>✓</td></tr> <tr><td>PC</td><td></td></tr> </table>	MF	✓	SA		KL	✓	HP	✓	SSC		SMC		W	✓	Z	✓	PC	
MF	✓																						
SA																							
KL	✓																						
HP	✓																						
SSC																							
SMC																							
W	✓																						
Z	✓																						
PC																							
	<b>ACET457</b> Cast Cill End Cap	1	pair	<b>ETC457</b>	<table border="1"> <tr><td>MF</td><td>✓</td></tr> <tr><td>SA</td><td></td></tr> <tr><td>KL</td><td>✓</td></tr> <tr><td>HP</td><td>✓</td></tr> <tr><td>SSC</td><td></td></tr> <tr><td>SMC</td><td></td></tr> <tr><td>W</td><td>✓</td></tr> <tr><td>Z</td><td>✓</td></tr> <tr><td>PC</td><td></td></tr> </table>	MF	✓	SA		KL	✓	HP	✓	SSC		SMC		W	✓	Z	✓	PC	
MF	✓																						
SA																							
KL	✓																						
HP	✓																						
SSC																							
SMC																							
W	✓																						
Z	✓																						
PC																							
	<b>ACET458</b> Cast Cill End Cap	1	pair	<b>ETC458</b>	<table border="1"> <tr><td>MF</td><td>✓</td></tr> <tr><td>SA</td><td></td></tr> <tr><td>KL</td><td>✓</td></tr> <tr><td>HP</td><td>✓</td></tr> <tr><td>SSC</td><td></td></tr> <tr><td>SMC</td><td></td></tr> <tr><td>W</td><td>✓</td></tr> <tr><td>Z</td><td>✓</td></tr> <tr><td>PC</td><td></td></tr> </table>	MF	✓	SA		KL	✓	HP	✓	SSC		SMC		W	✓	Z	✓	PC	
MF	✓																						
SA																							
KL	✓																						
HP	✓																						
SSC																							
SMC																							
W	✓																						
Z	✓																						
PC																							
 <p>T-BARS ACVG65=2.5mm ACVG66=3.0mm ACVL150=4.0mm</p>  <p>Screw (Grub)</p>	<p>MF = Mill Finish SA = Silver Anodised KL = Basic Colour HP = Special Colour SSC = Smooth Satin Chrome SMC = Smokey Chrome PC = Polished Chrome</p>	<p>W = White Z = Black</p>																					

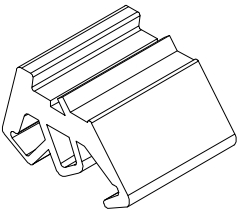
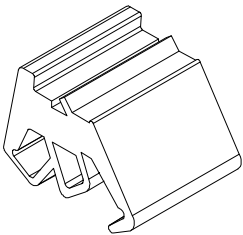
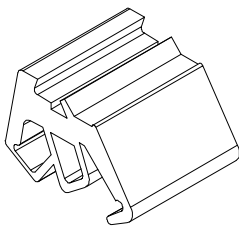
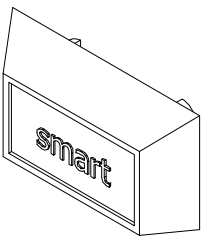
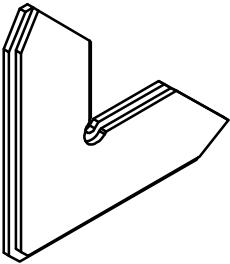


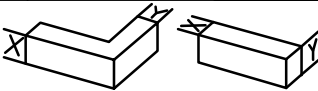
ACCESSORIES : PHOTOS & DRAWINGS

Image	Part Code	Pack	Unit	Application	Colour	
	<b>ACET479</b> Cast Cill End Cap	1	pair	ETC459	MF	✓
					SA	
					KL	✓
					HP	✓
					SSC	
					SMC	
					W	✓
					Z	✓
					PC	
	<b>ACET477</b> Cast Cill End Cap	1	pair	ETC477	MF	✓
					SA	
					KL	✓
					HP	✓
					SSC	
					SMC	
					W	✓
					Z	✓
					PC	
	<b>ACGSL045</b> Drainage Cover Cap	100	pack		MF	
					SA	
					KL	
					HP	
					SSC	
					SMC	
					W	✓
					Z	✓
					PC	
	<b>ACIM062</b> No.10 x 1 1/4" S/S Self Tapping CSK Screw	100	pack		MF	
					SA	
					KL	
					HP	
					SSC	
					SMC	
					W	
					Z	
					PC	
	<b>ACPD711A</b> SPD710 Outer Cleat	24	pack	SPD710	MF	✓
					SA	
					KL	
					HP	
					SSC	
					SMC	
					W	
					Z	
					PC	
 <p>T-BARS ACVG665=2.5mm ACVG666=3.0mm ACVL150=4.0mm</p> <p>Screw (Grub)</p>	<b>MF</b> = Mill Finish <b>SA</b> = Silver Anodised <b>KL</b> = Basic Colour <b>HP</b> = Special Colour <b>SSC</b> = Smooth Satin Chrome <b>SMC</b> = Smokey Chrome <b>PC</b> = Polished Chrome	<b>W</b> = White <b>Z</b> = Black				

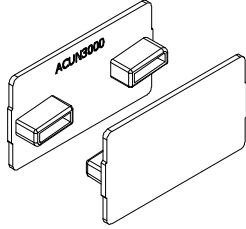
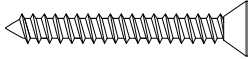
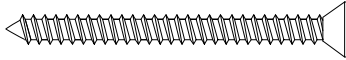

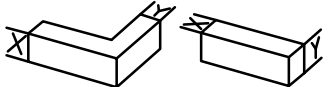
**ACCESSORIES : PHOTOS & DRAWINGS**

Image	Part Code	Pack	Unit	Application	Colour
	<b>ACPD711B</b>  <b>SPD710 Inner Cleat</b>	<b>24</b>	<b>pack</b>	<b>SPD710</b>	MF <input checked="" type="checkbox"/>
					SA <input type="checkbox"/>
					KL <input type="checkbox"/>
					HP <input type="checkbox"/>
					SSC <input type="checkbox"/>
					SMC <input type="checkbox"/>
					W <input type="checkbox"/>
					Z <input type="checkbox"/>
					PC <input type="checkbox"/>
	<b>ACPD765</b>  <b>End Caps for SPD755</b>	<b>20</b>	<b>pack</b>	<b>SPD755</b>	MF <input type="checkbox"/>
					SA <input type="checkbox"/>
					KL <input type="checkbox"/>
					HP <input type="checkbox"/>
					SSC <input type="checkbox"/>
					SMC <input type="checkbox"/>
					W <input type="checkbox"/>
					Z <input checked="" type="checkbox"/>
					PC <input type="checkbox"/>
	<b>ACPD767</b>  <b>SPD710 Bridge Packer</b>	<b>10</b>	<b>pack</b>	<b>SPD710</b>	MF <input type="checkbox"/>
					SA <input type="checkbox"/>
					KL <input type="checkbox"/>
					HP <input type="checkbox"/>
					SSC <input type="checkbox"/>
					SMC <input type="checkbox"/>
					W <input type="checkbox"/>
					Z <input type="checkbox"/>
					PC <input type="checkbox"/>
	<b>ACVG31N</b>  <b>Glazing gasket outside 3mm rotated</b>	<b>200</b>	<b>m</b>		MF <input type="checkbox"/>
					SA <input type="checkbox"/>
					KL <input type="checkbox"/>
					HP <input type="checkbox"/>
					SSC <input type="checkbox"/>
					SMC <input type="checkbox"/>
					W <input type="checkbox"/>
					Z <input type="checkbox"/>
					PC <input type="checkbox"/>
	<b>ACVG32N</b>  <b>Glazing gasket inside 3mm rotated</b>	<b>100</b>	<b>m</b>		MF <input type="checkbox"/>
					SA <input type="checkbox"/>
					KL <input type="checkbox"/>
					HP <input type="checkbox"/>
					SSC <input type="checkbox"/>
					SMC <input type="checkbox"/>
					W <input type="checkbox"/>
					Z <input type="checkbox"/>
					PC <input type="checkbox"/>
	<b>MF</b> = Mill Finish <b>SA</b> = Silver Anodised <b>KL</b> = Basic Colour <b>HP</b> = Special Colour <b>SSC</b> = Smooth Satin Chrome <b>SMC</b> = Smokey Chrome <b>PC</b> = Polished Chrome	<b>W</b> = White <b>Z</b> = Black			








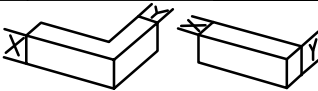
ACCESSORIES : PHOTOS & DRAWINGS

Image	Part Code	Pack	Unit	Application	Colour
	<b>ACVG33N</b>	<b>100</b>	<b>m</b>		MF <input checked="" type="checkbox"/>
	<b>Glazing gasket inside 4mm rotated</b>				SA <input type="checkbox"/>
	<b>ACFT033N</b>	<b>2400</b>	<b>m</b>		KL <input type="checkbox"/>
					HP <input type="checkbox"/>
					SSC <input type="checkbox"/>
					SMC <input type="checkbox"/>
					W <input type="checkbox"/>
					Z <input type="checkbox"/>
					PC <input type="checkbox"/>
	<b>ACVG340N</b>	<b>100</b>	<b>m</b>		MF <input type="checkbox"/>
	<b>Glazing gasket inside 6mm rotated</b>				SA <input type="checkbox"/>
	<b>ACFT340N</b>	<b>2400</b>	<b>m</b>		KL <input type="checkbox"/>
					HP <input type="checkbox"/>
					SSC <input type="checkbox"/>
					SMC <input type="checkbox"/>
					W <input type="checkbox"/>
					Z <input type="checkbox"/>
					PC <input type="checkbox"/>
	<b>ACVG34N</b>	<b>100</b>	<b>m</b>		MF <input type="checkbox"/>
	<b>Glazing gasket inside 5mm rotated</b>				SA <input type="checkbox"/>
	<b>ACFT034N</b>	<b>2400</b>	<b>m</b>		KL <input type="checkbox"/>
					HP <input type="checkbox"/>
					SSC <input type="checkbox"/>
					SMC <input type="checkbox"/>
					W <input type="checkbox"/>
					Z <input type="checkbox"/>
					PC <input type="checkbox"/>
	<b>ACVG45N</b>	<b>100</b>	<b>pack</b>		MF <input type="checkbox"/>
	<b>Drainage Cover Cap</b>				SA <input type="checkbox"/>
					KL <input type="checkbox"/>
					HP <input type="checkbox"/>
					SSC <input type="checkbox"/>
					SMC <input type="checkbox"/>
					W <input checked="" type="checkbox"/>
					Z <input checked="" type="checkbox"/>
					PC <input type="checkbox"/>
	<b>ACVL020B</b>	<b>200</b>	<b>pack</b>	<b>SPD710</b>	MF <input type="checkbox"/>
	<b>SPD710 Plastic Chevron</b>				SA <input type="checkbox"/>
					KL <input type="checkbox"/>
					HP <input type="checkbox"/>
					SSC <input type="checkbox"/>
					SMC <input type="checkbox"/>
					W <input type="checkbox"/>
					Z <input type="checkbox"/>
					PC <input type="checkbox"/>
 <p>T-BARS ACVG65=2.5mm ACVG66=3.0mm ACVL150=4.0mm</p>  <p>Screw (Grub)</p>	<b>MF</b> = Mill Finish <b>SA</b> = Silver Anodised <b>KL</b> = Basic Colour <b>HP</b> = Special Colour <b>SSC</b> = Smooth Satin Chrome <b>SMC</b> = Smokey Chrome <b>PC</b> = Polished Chrome	<b>W</b> = White <b>Z</b> = Black			

**ACCESSORIES : PHOTOS & DRAWINGS**

Image	Part Code	Pack	Unit	Application	Colour	
	<b>ACUN3000</b>  <b>End Caps for UN3000</b>	<b>10</b>	<b>pairs</b>	<b>UN3000</b>	MF	
					SA	
					KL	
					HP	
					SSC	
					SMC	
					W	
					Z	✓
					PC	
	<b>ACUN3512</b>  <b>No. 8 x 32mm CSK SS Pozi Screw</b>	<b>100</b>	<b>pack</b>	<b>SPD755 UN3000</b>	MF	
					SA	
					KL	
					HP	
					SSC	
					SMC	
					W	
					Z	
					PC	
	<b>ACUN3513</b>  <b>No. 8 x 45mm CSK SS Pozi Screw</b>	<b>100</b>	<b>pack</b>	<b>SPD755 UN3000</b>	MF	
					SA	
					KL	
					HP	
					SSC	
					SMC	
					W	
					Z	
					PC	
					MF	
					SA	
					KL	
					HP	
					SSC	
					SMC	
					W	
					Z	
					PC	
	<b>MF = Mill Finish</b> <b>SA = Silver Anodised</b> <b>KL = Basic Colour</b> <b>HP = Special Colour</b> <b>SSC = Smooth Satin Chrome</b> <b>SMC = Smokey Chrome</b> <b>PC = Polished Chrome</b>	<b>W = White</b> <b>Z = Black</b>				
						<small>T-BARS ACVG65=2.5mm ACVG66=3.0mm ACVL150=4.0mm</small>
						<small>Screw (Grub)</small>

STANDARD ACCESSORIES







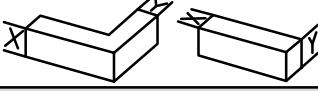
Image	Part Code	Pack	Unit	Application	Colour																		
	<b>ACMX09700</b>  <b>Alu. Polish</b>	<b>1</b>	<b>each</b>		<table border="1"> <tr><td>MF</td><td>✓</td></tr> <tr><td>SA</td><td></td></tr> <tr><td>KL</td><td></td></tr> <tr><td>HP</td><td></td></tr> <tr><td>SSC</td><td></td></tr> <tr><td>SMC</td><td></td></tr> <tr><td>W</td><td></td></tr> <tr><td>Z</td><td></td></tr> <tr><td>PC</td><td></td></tr> </table>	MF	✓	SA		KL		HP		SSC		SMC		W		Z		PC	
MF	✓																						
SA																							
KL																							
HP																							
SSC																							
SMC																							
W																							
Z																							
PC																							
	<b>ACMX09761</b>  <b>Maxi Gloss</b>	<b>1</b>	<b>each</b>		<table border="1"> <tr><td>MF</td><td></td></tr> <tr><td>SA</td><td></td></tr> <tr><td>KL</td><td></td></tr> <tr><td>HP</td><td></td></tr> <tr><td>SSC</td><td></td></tr> <tr><td>SMC</td><td></td></tr> <tr><td>W</td><td></td></tr> <tr><td>Z</td><td></td></tr> <tr><td>PC</td><td></td></tr> </table>	MF		SA		KL		HP		SSC		SMC		W		Z		PC	
MF																							
SA																							
KL																							
HP																							
SSC																							
SMC																							
W																							
Z																							
PC																							
	<b>ACMX09762</b>  <b>Alu. Bright</b>	<b>1</b>	<b>each</b>		<table border="1"> <tr><td>MF</td><td></td></tr> <tr><td>SA</td><td></td></tr> <tr><td>KL</td><td></td></tr> <tr><td>HP</td><td></td></tr> <tr><td>SSC</td><td></td></tr> <tr><td>SMC</td><td></td></tr> <tr><td>W</td><td></td></tr> <tr><td>Z</td><td></td></tr> <tr><td>PC</td><td></td></tr> </table>	MF		SA		KL		HP		SSC		SMC		W		Z		PC	
MF																							
SA																							
KL																							
HP																							
SSC																							
SMC																							
W																							
Z																							
PC																							
	<b>ACMX09763</b>  <b>Teflon Spray</b>	<b>1</b>	<b>each</b>		<table border="1"> <tr><td>MF</td><td></td></tr> <tr><td>SA</td><td></td></tr> <tr><td>KL</td><td></td></tr> <tr><td>HP</td><td></td></tr> <tr><td>SSC</td><td></td></tr> <tr><td>SMC</td><td></td></tr> <tr><td>W</td><td></td></tr> <tr><td>Z</td><td></td></tr> <tr><td>PC</td><td></td></tr> </table>	MF		SA		KL		HP		SSC		SMC		W		Z		PC	
MF																							
SA																							
KL																							
HP																							
SSC																							
SMC																							
W																							
Z																							
PC																							
	<b>ACMX09764</b>  <b>Maxi Clean</b>	<b>1</b>	<b>each</b>		<table border="1"> <tr><td>MF</td><td></td></tr> <tr><td>SA</td><td></td></tr> <tr><td>KL</td><td></td></tr> <tr><td>HP</td><td></td></tr> <tr><td>SSC</td><td></td></tr> <tr><td>SMC</td><td></td></tr> <tr><td>W</td><td></td></tr> <tr><td>Z</td><td></td></tr> <tr><td>PC</td><td></td></tr> </table>	MF		SA		KL		HP		SSC		SMC		W		Z		PC	
MF																							
SA																							
KL																							
HP																							
SSC																							
SMC																							
W																							
Z																							
PC																							
 <p>T-BARS ACVG66=2.5mm ACVG66=3.0mm ACVL150=4.0mm</p>  <p>Screw (Grub)</p>	<p>MF = Mill Finish SA = Silver Anodised KL = Basic Colour HP = Special Colour SSC = Smooth Satin Chrome SMC = Smokey Chrome PC = Polished Chrome</p>	<p>W = White Z = Black</p>																					






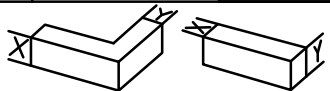
STANDARD ACCESSORIES

Image	Part Code	Pack	Unit	Application	Colour
	<b>ACMX09765</b>  <b>Alu. Cleaner</b>	<b>1</b>	<b>each</b>		MF SA KL HP SSC SMC W Z PC
	<b>ACMX09770</b>  <b>Roll &amp; Wrap 100mm</b>	<b>1</b>	<b>each</b>		MF SA KL HP SSC SMC W Z PC
	<b>ACMX09775</b>  <b>Grip Handwrap</b>	<b>1</b>	<b>each</b>		MF SA KL HP SSC SMC W Z PC
	<b>ACMX09801</b>  <b>Protective Tape 50mm</b>	<b>1</b>	<b>each</b>		MF SA KL HP SSC SMC W Z PC
	<b>ACMX09802</b>  <b>Protective Tape 70mm</b>	<b>1</b>	<b>each</b>		MF SA KL HP SSC SMC W Z PC
 <p>T-BARS ACVG66=2.5mm ACVG66=3.0mm ACVL150=4.0mm</p>  <p>Screw (Grub)</p>	<b>MF</b> = Mill Finish <b>SA</b> = Silver Anodised <b>KL</b> = Basic Colour <b>HP</b> = Special Colour <b>SSC</b> = Smooth Satin Chrome <b>SMC</b> = Smokey Chrome <b>PC</b> = Polished Chrome	<b>W</b> = White <b>Z</b> = Black	 		





STANDARD ACCESSORIES

Image	Part Code	Pack	Unit	Application	Colour
	<b>ACMX09803</b> <b>Protective Tape 100mm</b>	1	each		MF SA KL HP SSC SMC W Z PC
	<b>ACMX09830</b> <b>Rubber Sealant</b>	1	each		MF SA KL HP SSC SMC W Z PC
	<b>ACSIL04</b> <b>Sealing Glue</b> Order with suffix of KL colour (eg.ACSIL04KL005) or BL=Black/WP=White/ CL=Clear	1	each		MF SA KL ✓ HP SSC SMC W ✓ Z ✓ PC
	<b>ACSIL08</b> <b>Silicon Gun</b>	1	each		MF SA KL HP SSC SMC W Z PC
	<b>ACSIL013</b> <b>Glue for Mitre</b>	1	each		MF SA KL HP SSC SMC W Z PC
 <p>T-BARS ACVG65=2.5mm ACVG66=3.0mm ACVL150=4.0mm</p> <p>Screw (Grub)</p>	<p>MF = Mill Finish SA = Silver Anodised KL = Basic Colour HP = Special Colour SSC = Smooth Satin Chrome SMC = Smokey Chrome PC = Polished Chrome</p> <p>W = White Z = Black</p>				

STANDARD ACCESSORIES

Image	Part Code	Pack	Unit	Application	Colour	
	<b>ACSIL014</b>  <b>Anti-Corrosion Coating</b>	<b>1</b>	<b>each</b>		MF	<input checked="" type="checkbox"/>
					SA	<input type="checkbox"/>
					KL	<input type="checkbox"/>
					HP	<input type="checkbox"/>
					SSC	<input type="checkbox"/>
					SMC	<input type="checkbox"/>
					W	<input type="checkbox"/>
					Z	<input type="checkbox"/>
					PC	<input type="checkbox"/>
	<b>ACUN3900</b>  <b>Gasket Roller</b>	<b>1</b>	<b>each</b>		MF	<input type="checkbox"/>
					SA	<input type="checkbox"/>
					KL	<input type="checkbox"/>
					HP	<input type="checkbox"/>
					SSC	<input type="checkbox"/>
					SMC	<input type="checkbox"/>
					W	<input type="checkbox"/>
					Z	<input type="checkbox"/>
					PC	<input type="checkbox"/>
					MF	<input type="checkbox"/>
					SA	<input type="checkbox"/>
					KL	<input type="checkbox"/>
					HP	<input type="checkbox"/>
					SSC	<input type="checkbox"/>
					SMC	<input type="checkbox"/>
					W	<input type="checkbox"/>
					Z	<input type="checkbox"/>
					PC	<input type="checkbox"/>
					MF	<input type="checkbox"/>
					SA	<input type="checkbox"/>
					KL	<input type="checkbox"/>
					HP	<input type="checkbox"/>
					SSC	<input type="checkbox"/>
					SMC	<input type="checkbox"/>
					W	<input type="checkbox"/>
					Z	<input type="checkbox"/>
					PC	<input type="checkbox"/>
 <p>T-BARS ACVG65=2.5mm ACVG66=3.0mm ACVL150=4.0mm</p> <p>Screw (Grub)</p>	<b>MF = Mill Finish</b> <b>SA = Silver Anodised</b> <b>KL = Basic Colour</b> <b>HP = Special Colour</b> <b>SSC = Smooth Satin Chrome</b> <b>SMC = Smokey Chrome</b> <b>PC = Polished Chrome</b>				W = White	
					Z = Black	
						

STANDARD ACCESSORIES

Image	Part Code	Pack	Unit	Application	Colour
					MF SA KL HP SSC SMC W Z PC
					MF SA KL HP SSC SMC W Z PC
					MF SA KL HP SSC SMC W Z PC
					MF SA KL HP SSC SMC W Z PC
					MF SA KL HP SSC SMC W Z PC
 <p>T-BARS ACVG65=2.5mm ACVG66=3.0mm ACVL150=4.0mm</p>  <p>Screw (Grub)</p>	<p>MF = Mill Finish SA = Silver Anodised KL = Basic Colour HP = Special Colour SSC = Smooth Satin Chrome SMC = Smokey Chrome PC = Polished Chrome</p>	<p>W = White Z = Black</p>	 		

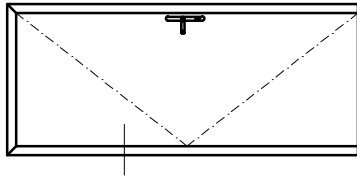
**Section C**

**Sections**

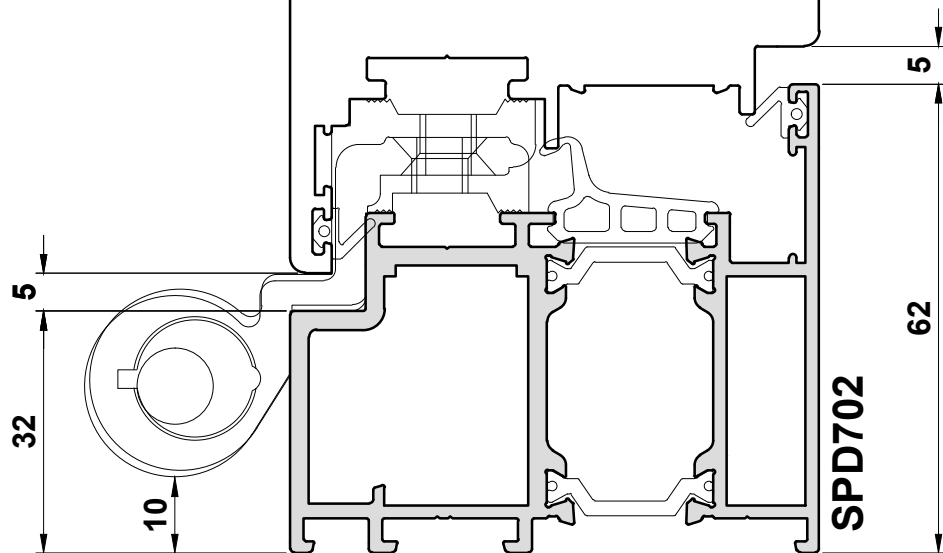
**Scale Elevations**

**This page intentionally left blank**

Hinge Jamb 1

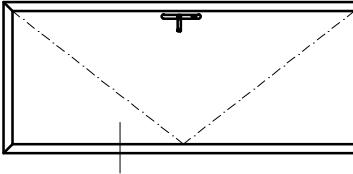


SASH

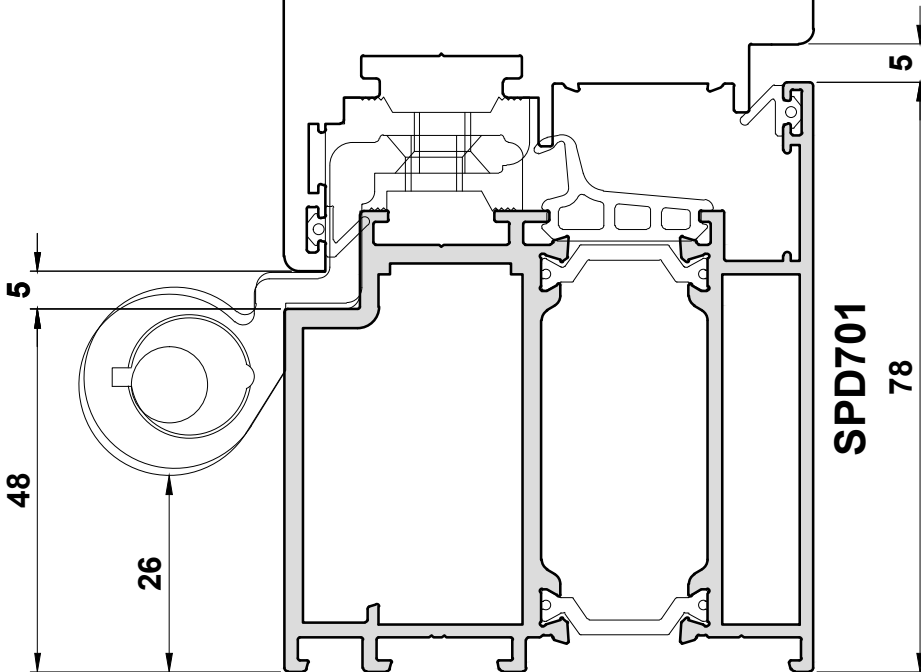


Do Not Scale From This Drawing

Hinge Jamb 2



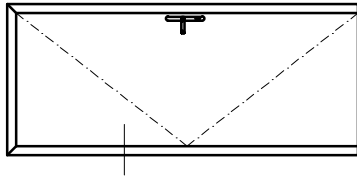
SASH



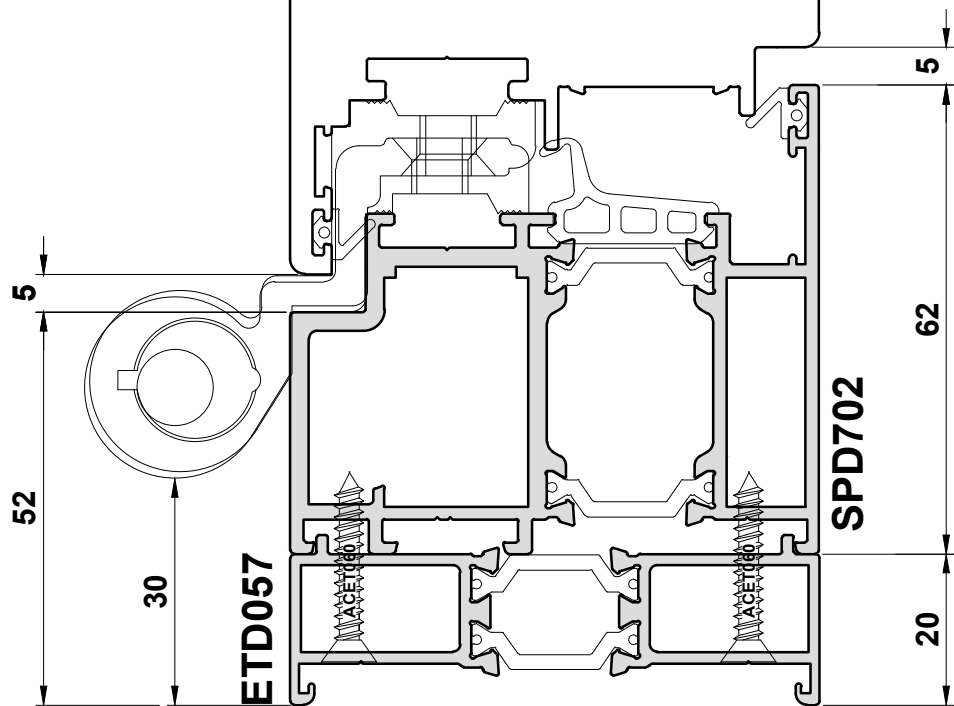
Do Not Scale From This Drawing



Hinge Jamb 3

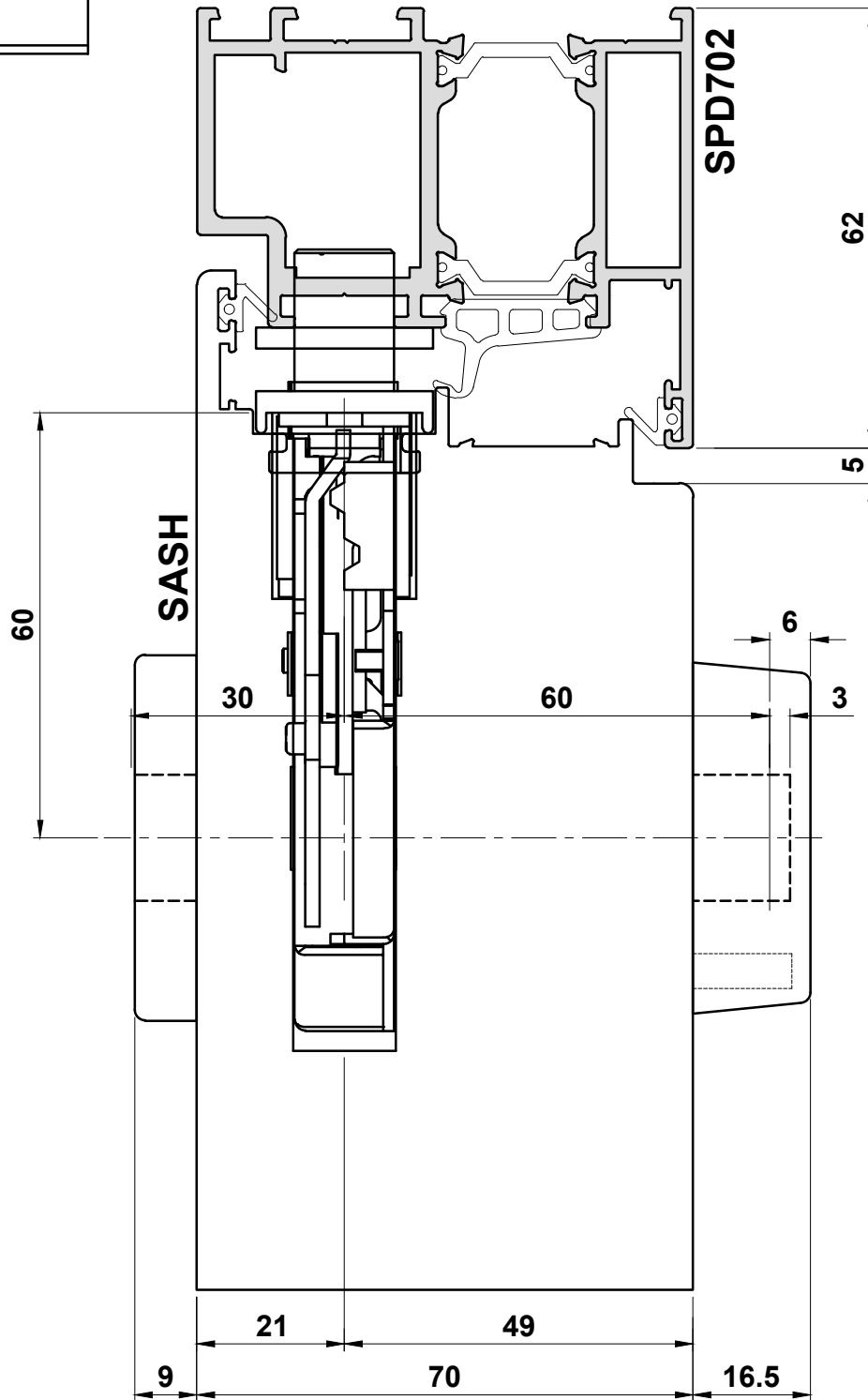
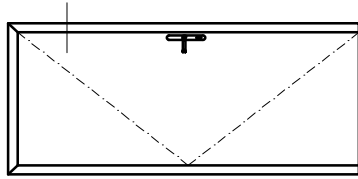


SASH



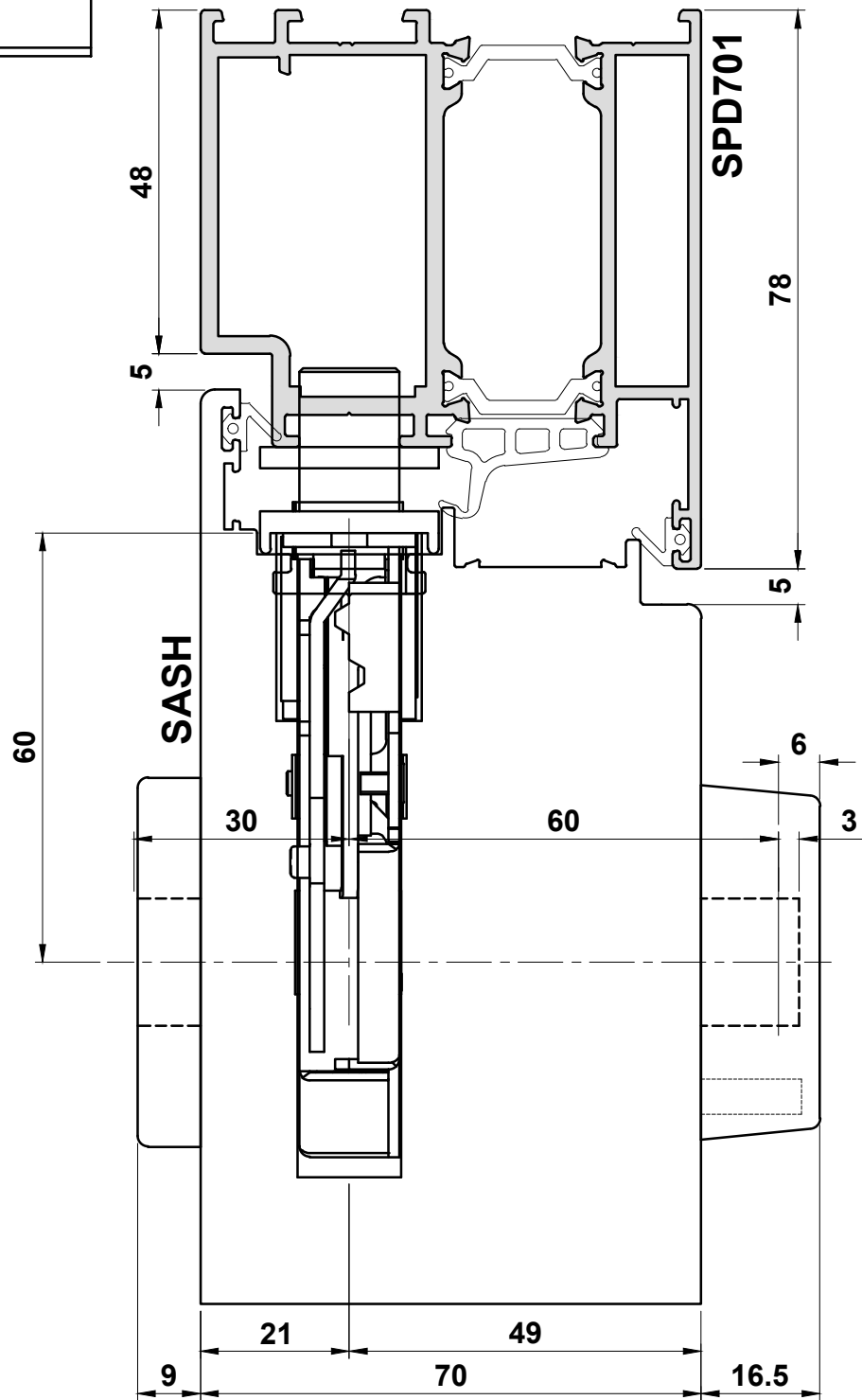
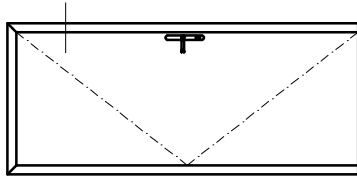
Do Not Scale From This Drawing

Lock Jamb 1



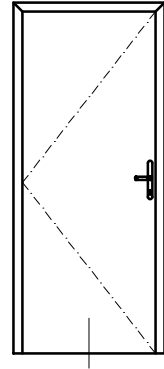
Do Not Scale From This Drawing

Lock Jamb 2

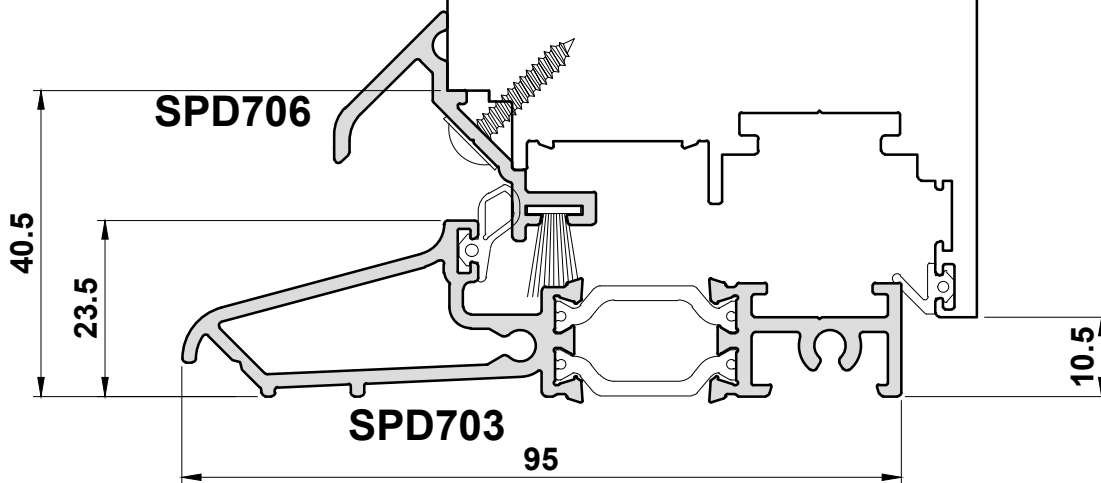


Do Not Scale From This Drawing

Threshold A



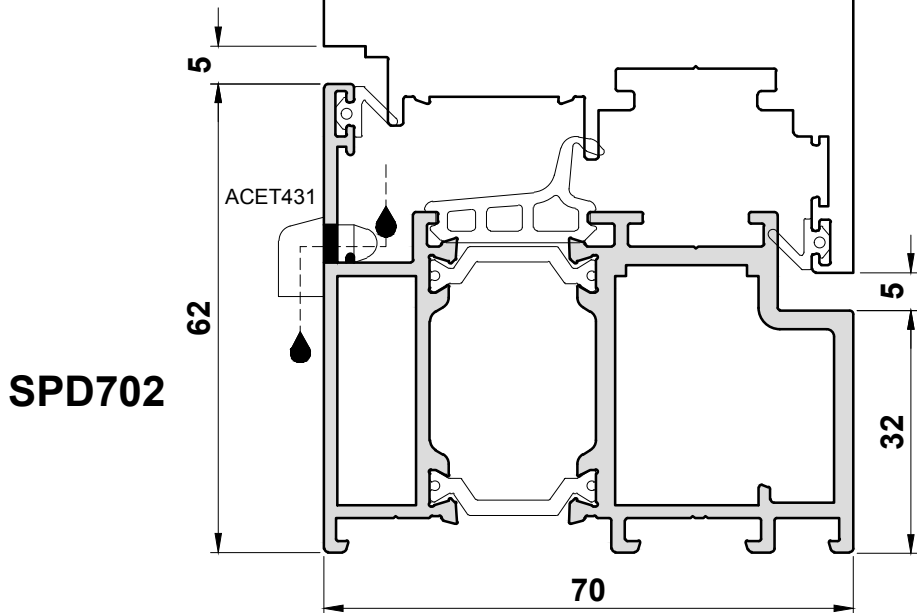
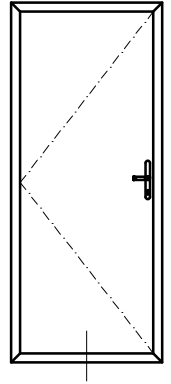
SASH



Do Not Scale From This Drawing

**Threshold B**

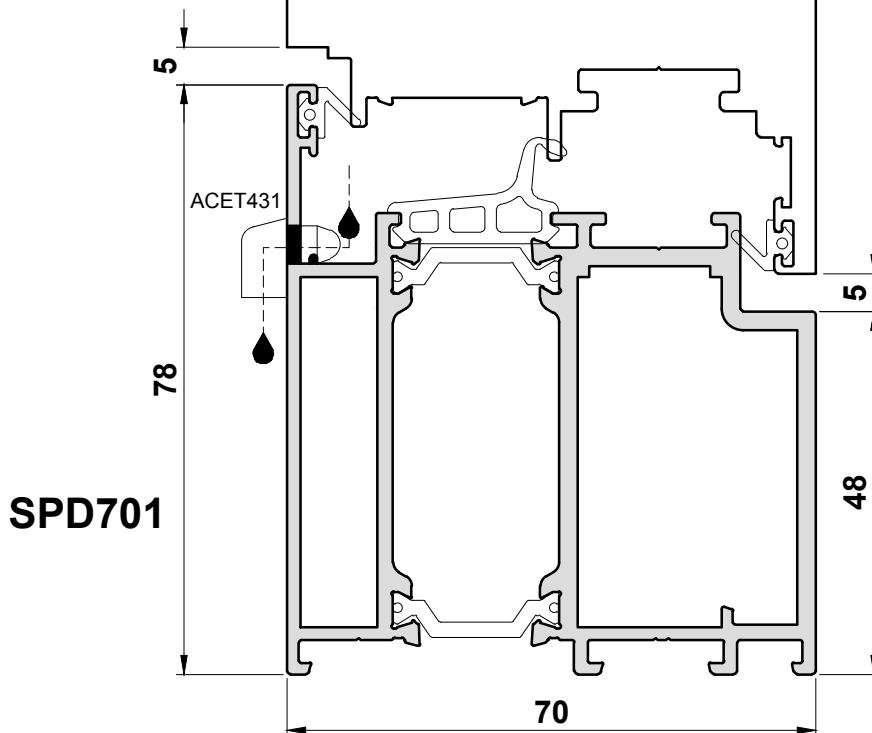
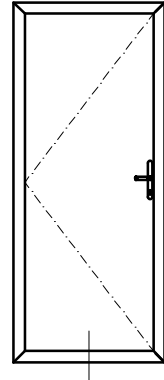
**SASH**



**Do Not Scale From This Drawing**

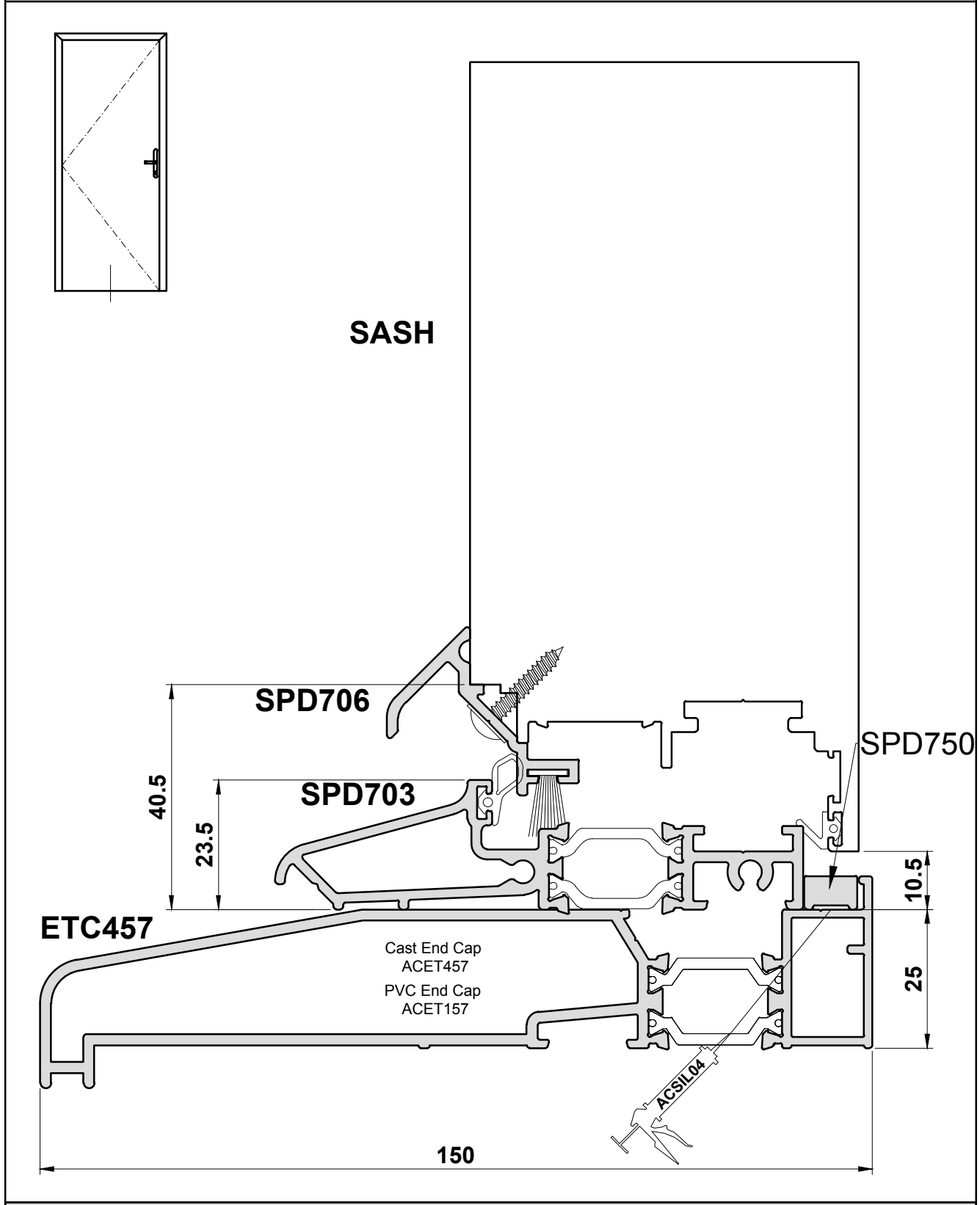
**Threshold C**

**SASH**



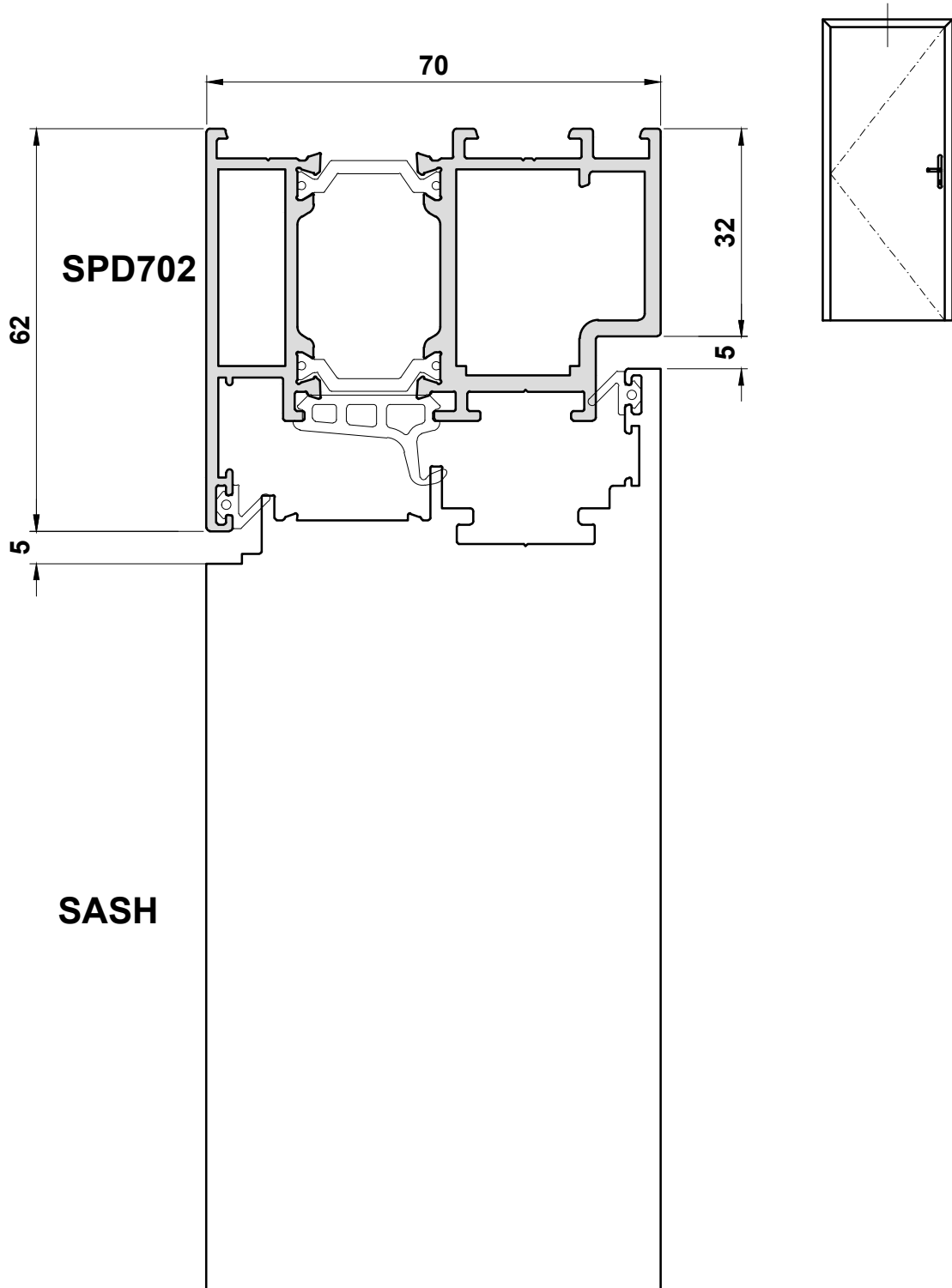
**Do Not Scale From This Drawing**

**Threshold D**



**Do Not Scale From This Drawing**

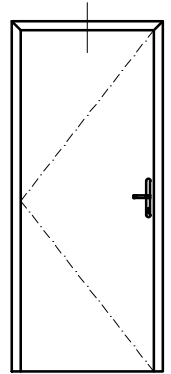
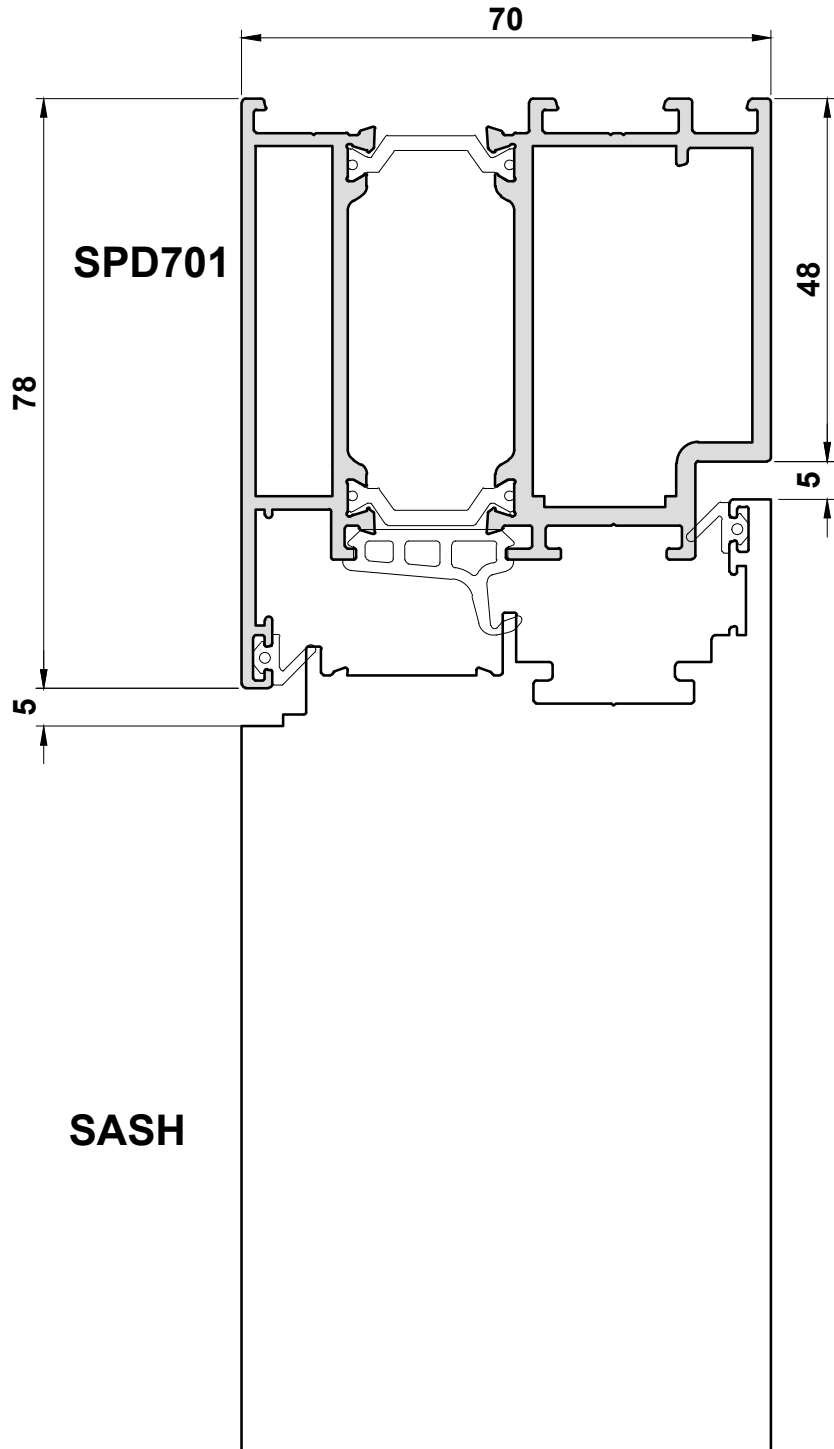
**Head 1**



**Do Not Scale From This Drawing**

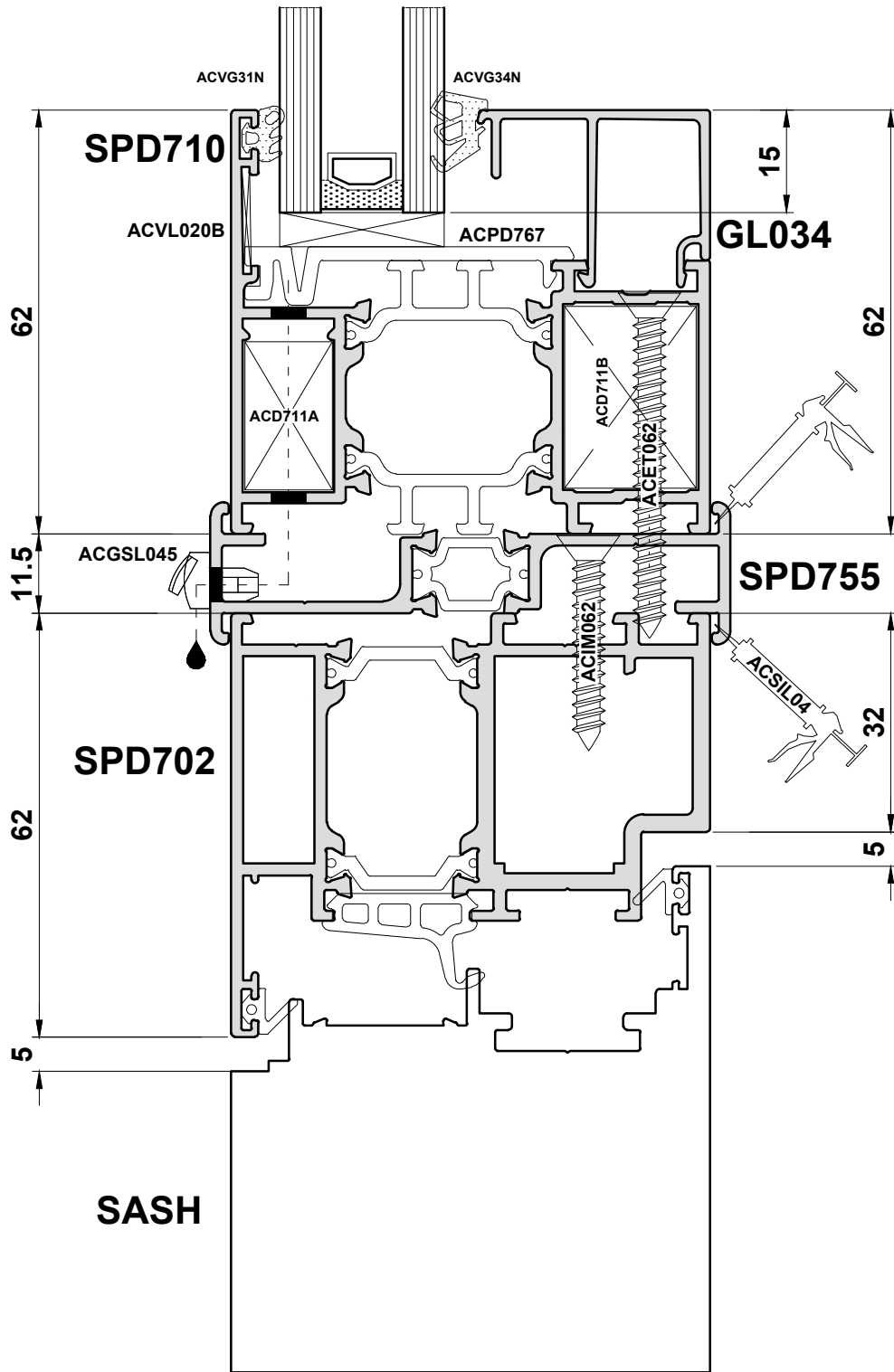


Head 2



Do Not Scale From This Drawing

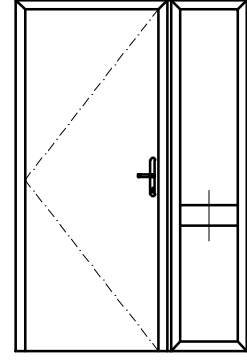
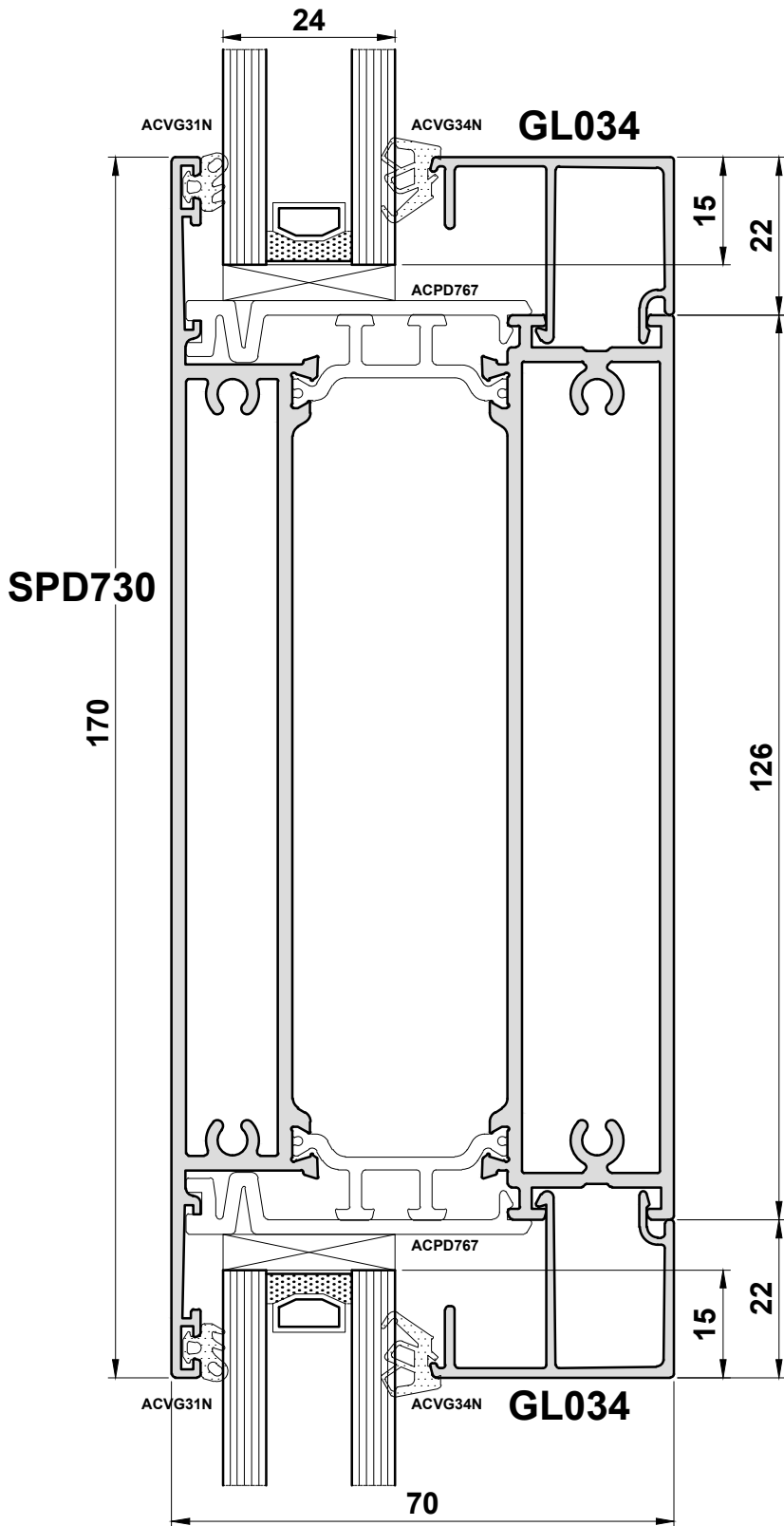
**Fan Light**



**Do Not Scale From This Drawing**



**Side Light - Midrail**



**Do Not Scale From This Drawing**

**Section D**

**Statics**

**For Wind Loading limitations, please contact  
the Technical department - T: 01934 876100**

This page intentionally left blank

**Section E**

**Construction Drawings**

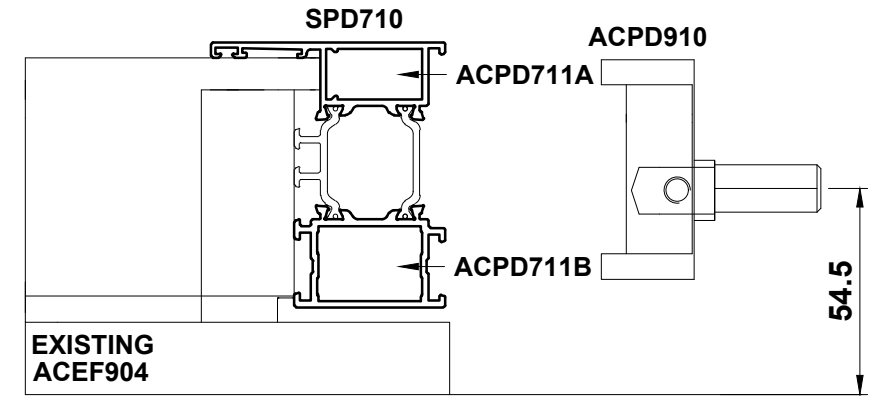
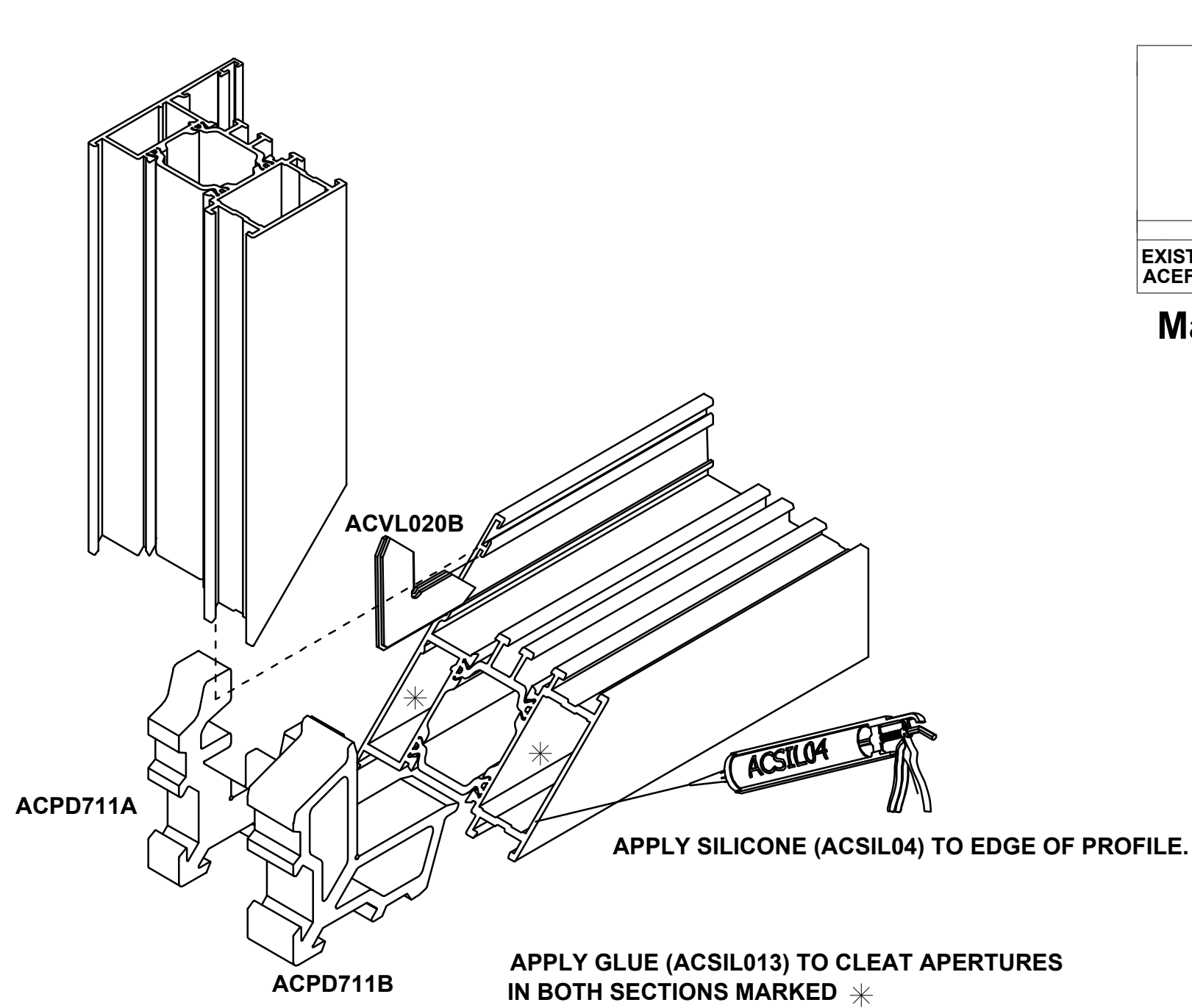


Corner Joint Details.....	E03
Drainage.....	E04
UN3000 Drainage and Fixing.....	E05
SPD755 Horizontal Coupler Detail.....	E06
SPD755 Vertical Coupler Detail.....	E07
Coupling Door with Side Lights and Fanlight.....	E08 - E09
SPD730 Transom Fixing.....	E10
ACPD742 LetterBox Preparation.....	E11
Glazing Details.....	E12 - E15

**This page intentionally left blank**



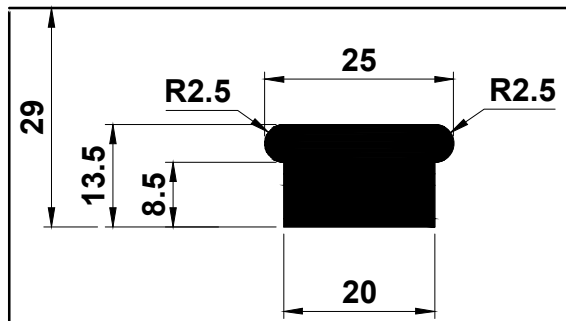
Corner Joint Details



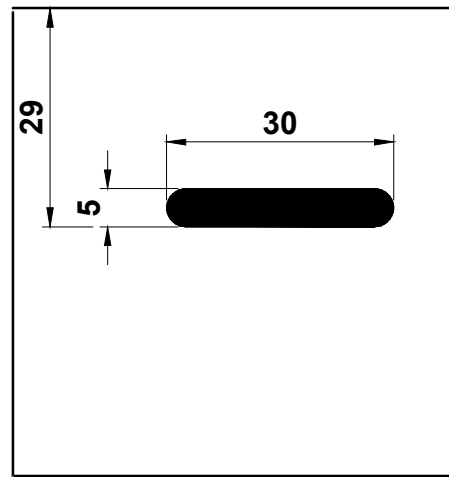
Manual Crimper: WUT024HSZA

Do Not Scale From This Drawing

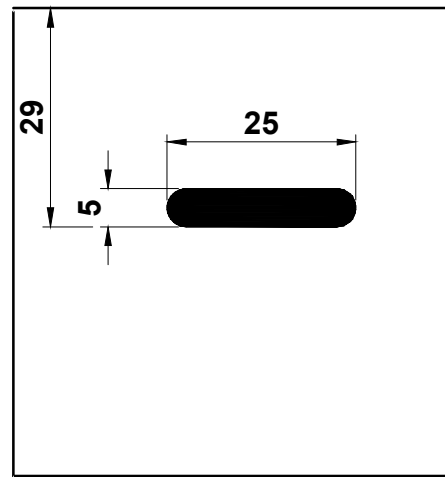
Drainage



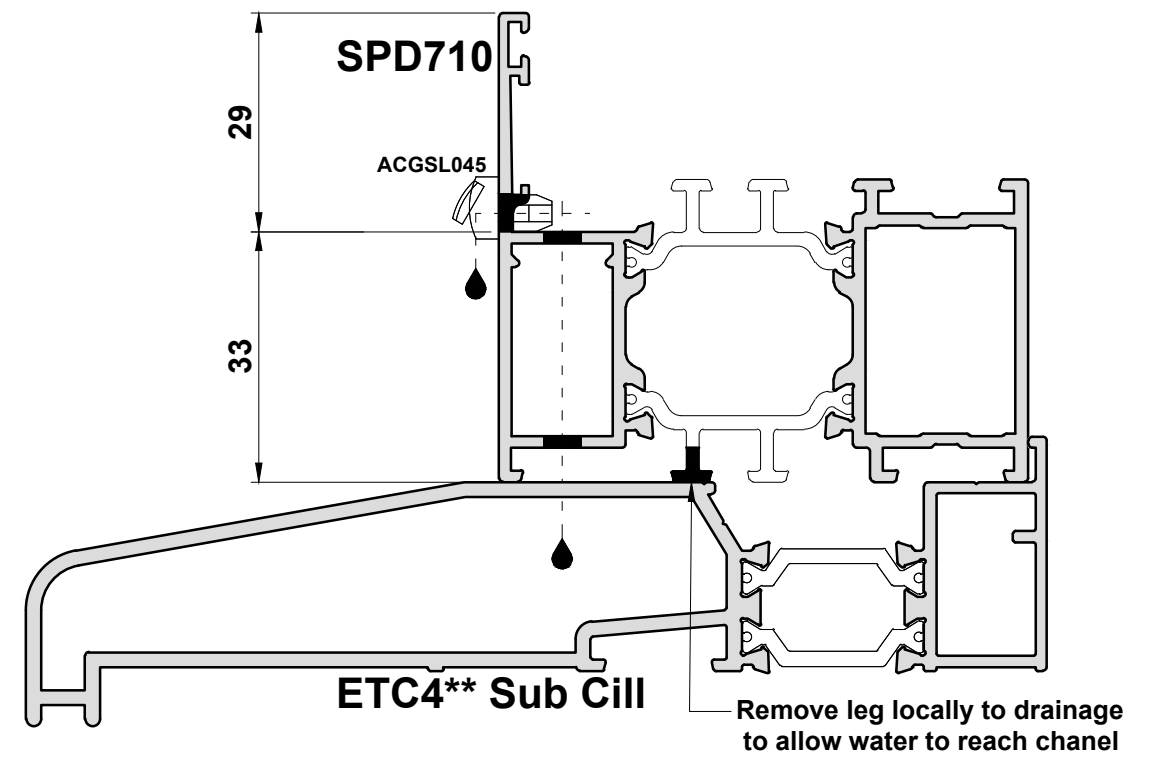
Detail to accept ACVG45N drainage cover cap  
Use Punch Tool ACIP913



Detail to accept ACGSL045  
drainage cover cap

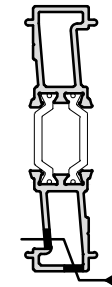
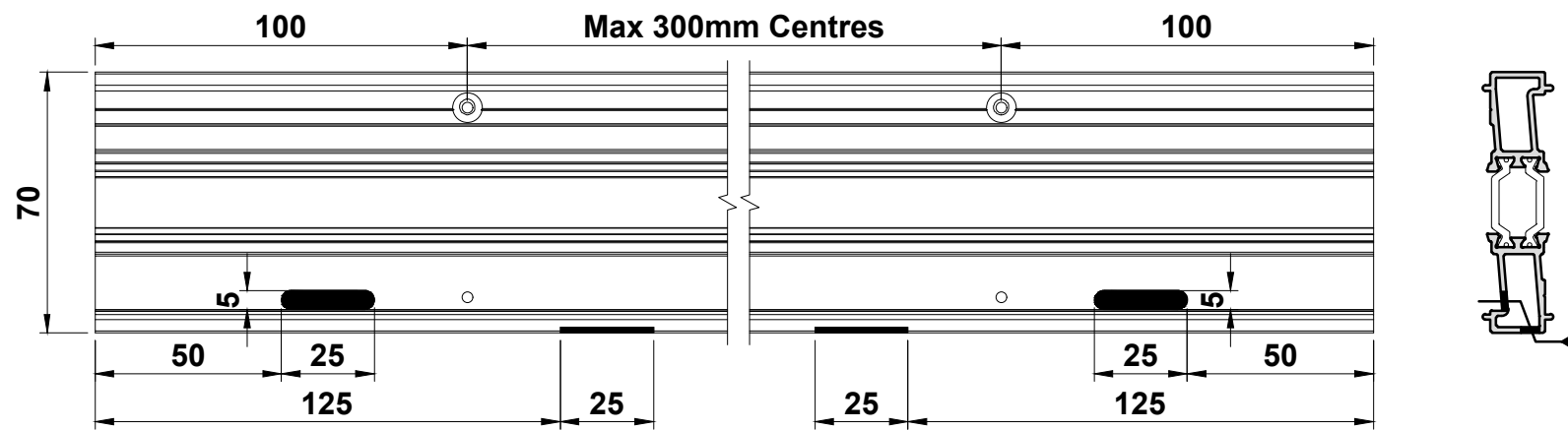


Detail to accept ACET431  
drainage cover cap



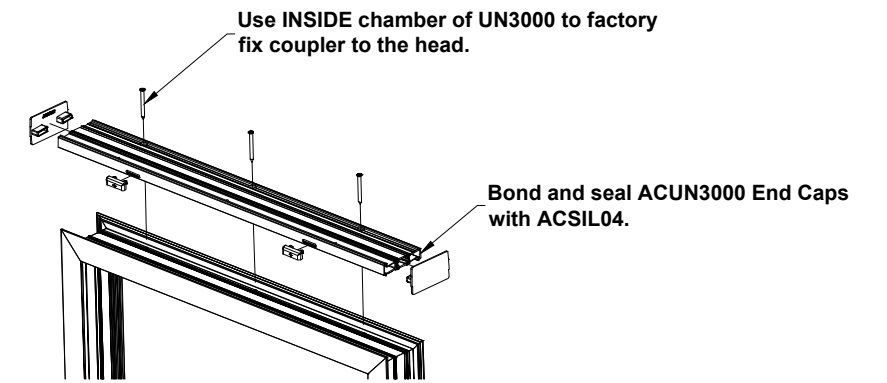
Do Not Scale From This Drawing

**UN3000 Horizontal Coupler Drainage and Fixing**

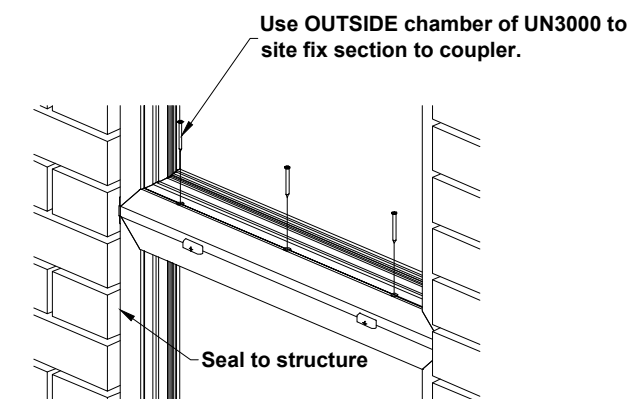
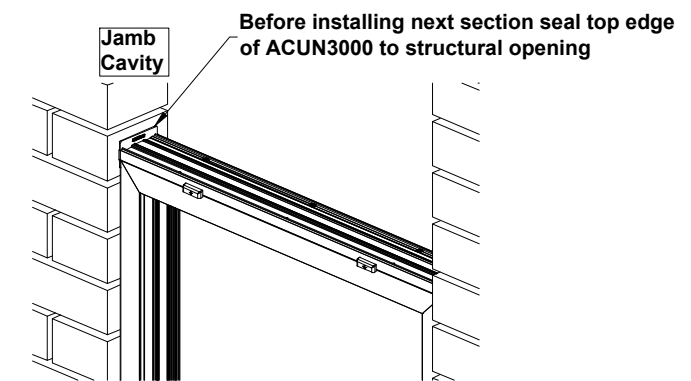
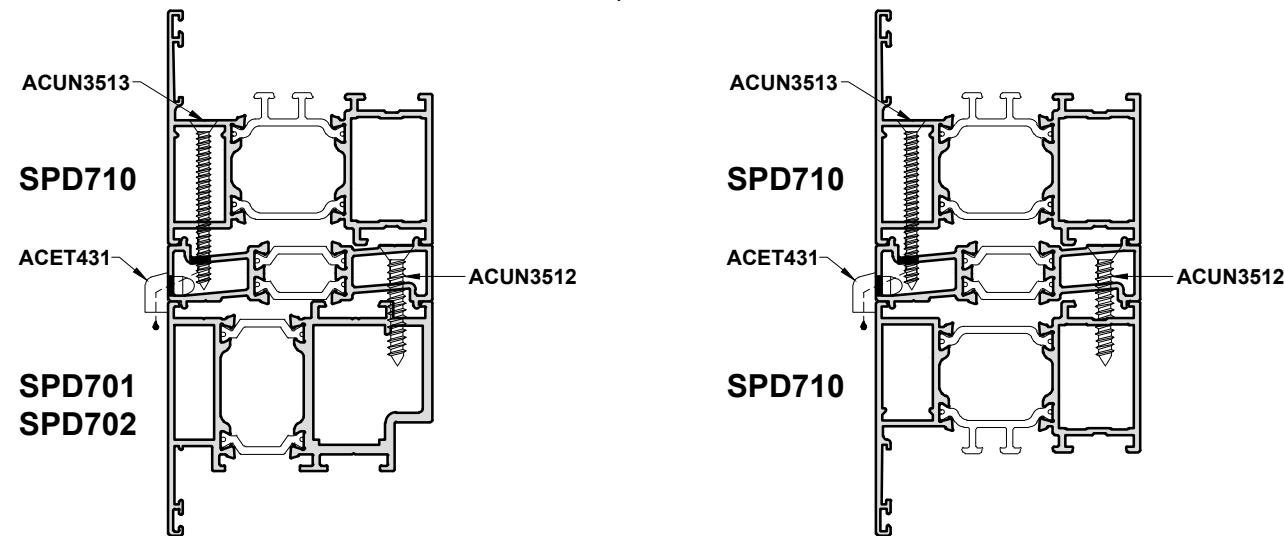


**Zone Drainage of Jamb Cavity**

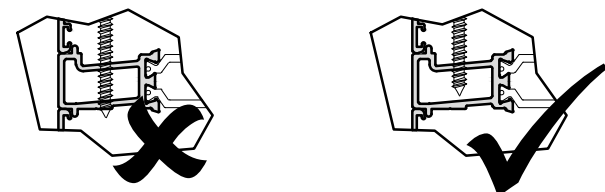
CWCT Built up wall guidance recommends drainage of Jamb Cavity



**Important Note: Seal all joints to UN3000 using ACSIL04.**

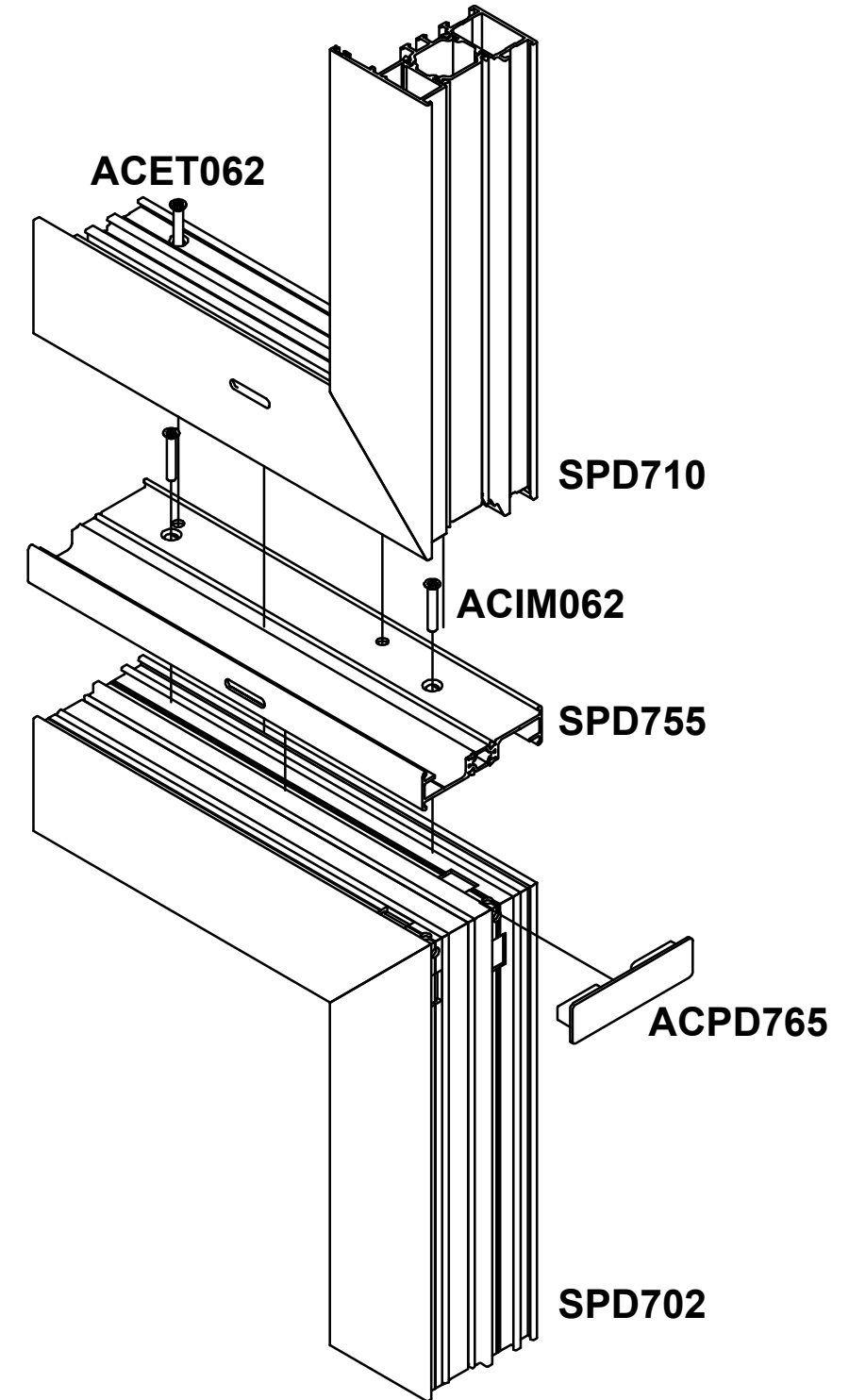
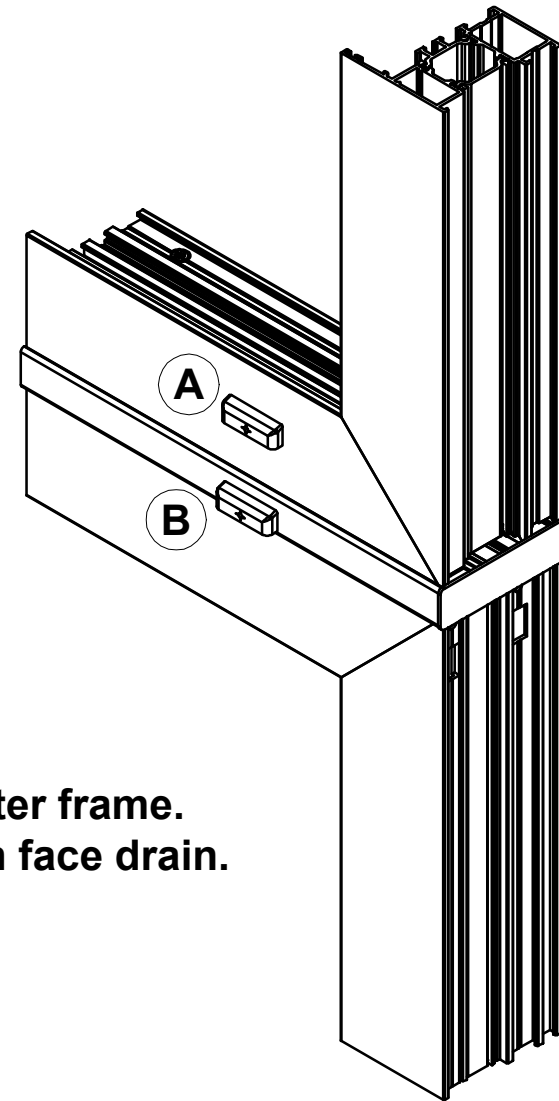
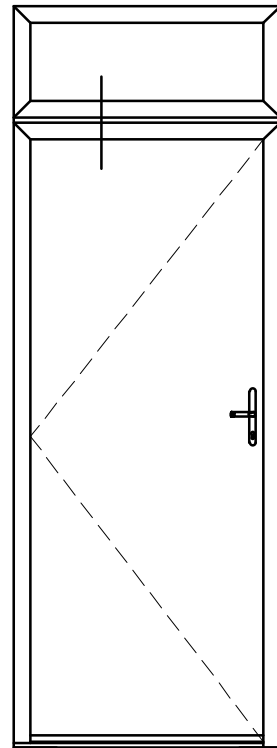


**Important Note: Do not screw through drainage channel.**



Do Not Scale From This Drawing

SPD755 Horizontal Coupler Detail

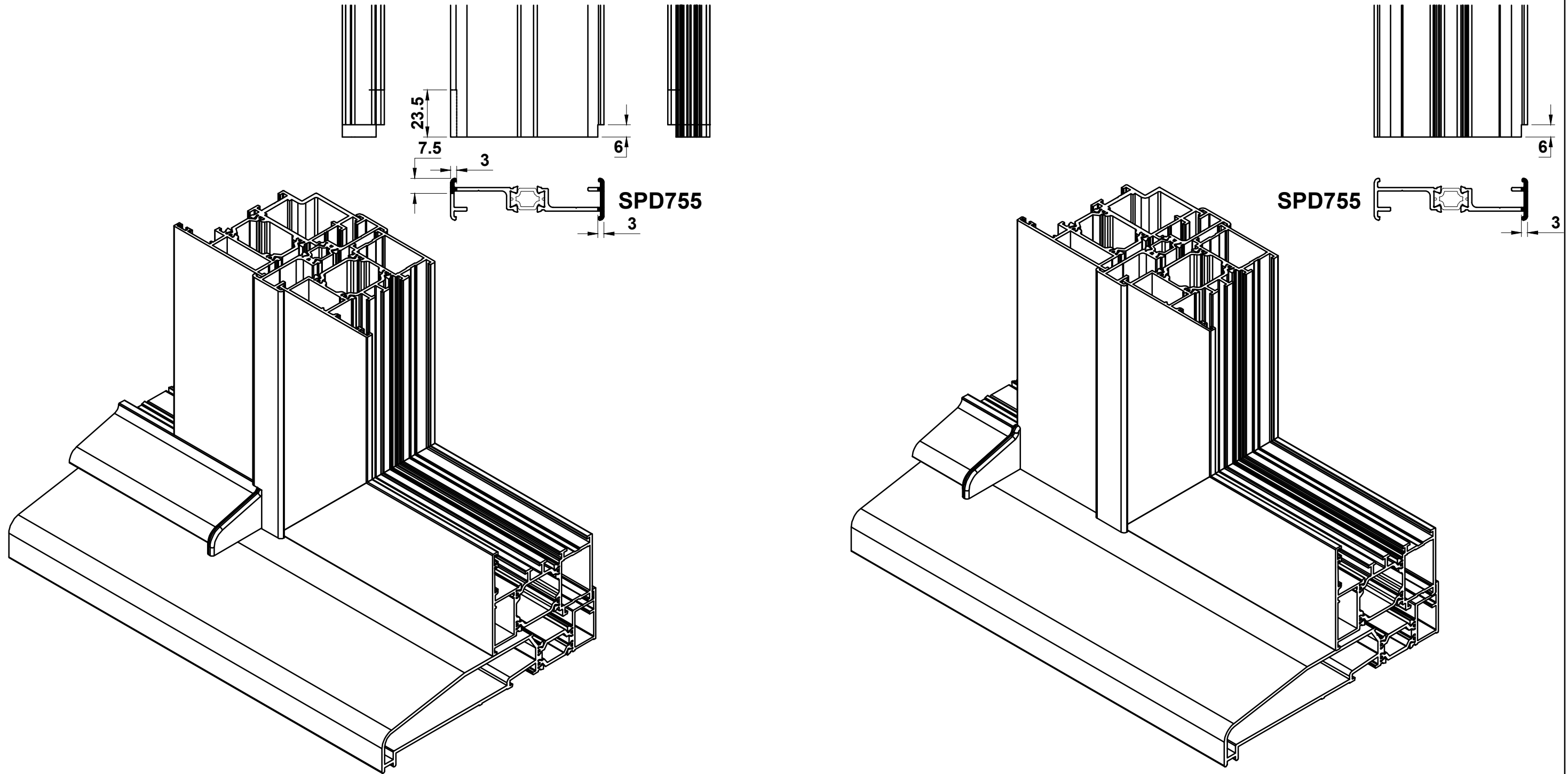


**Drainage Options:**

- A) Face drain through fixed light outer frame.
- B) Down drain into coupler and then face drain.

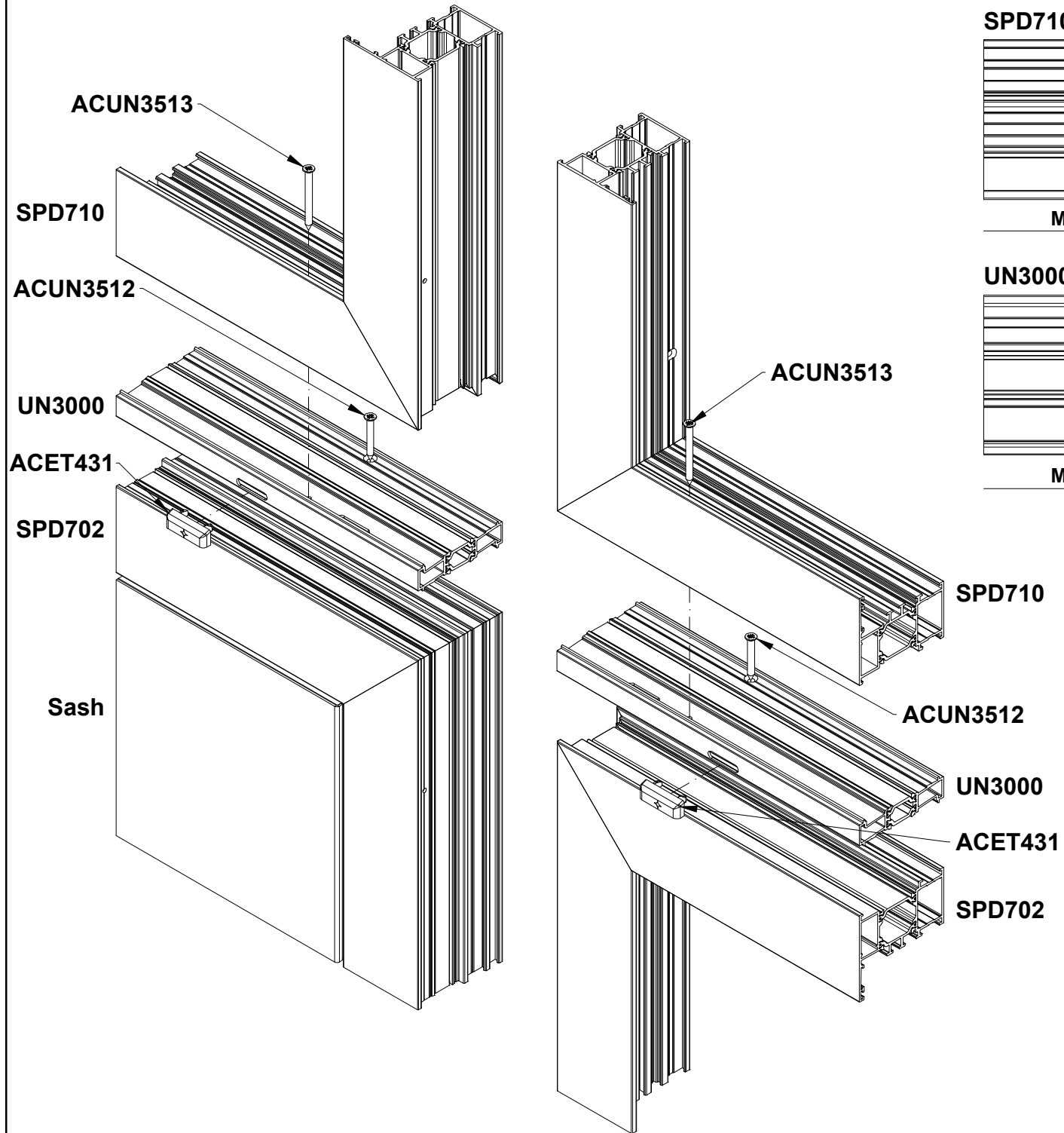
Do Not Scale From This Drawing

SPD755 Vertical Coupler Details

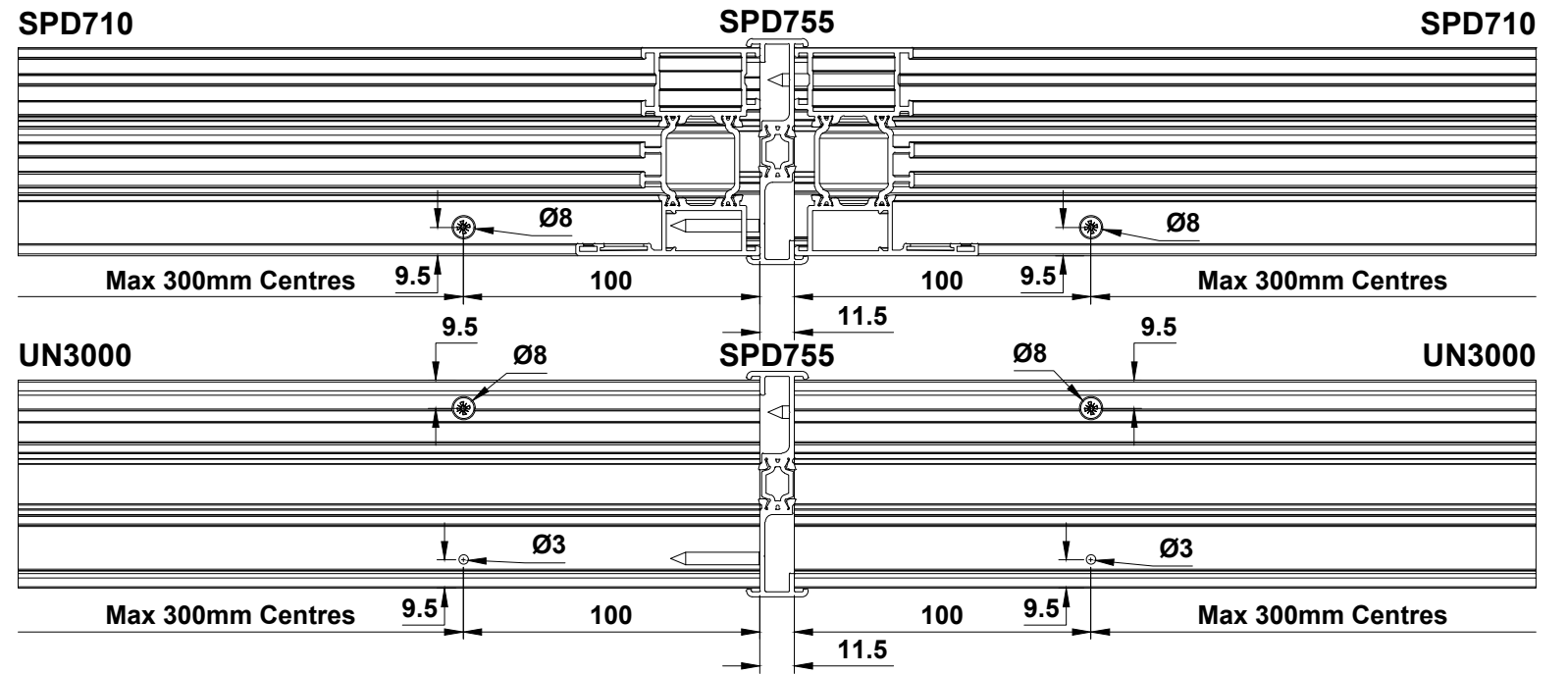


Do Not Scale From This Drawing

**Coupling Door with Side Lights and Fanlight (Part 1)**



Top View



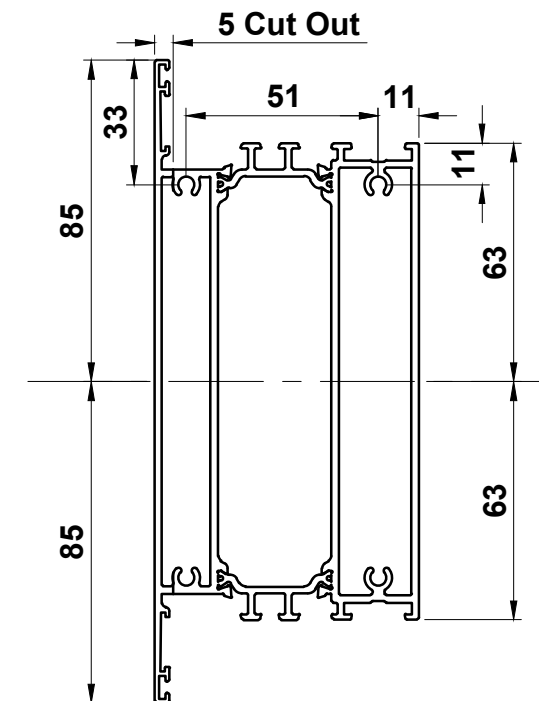
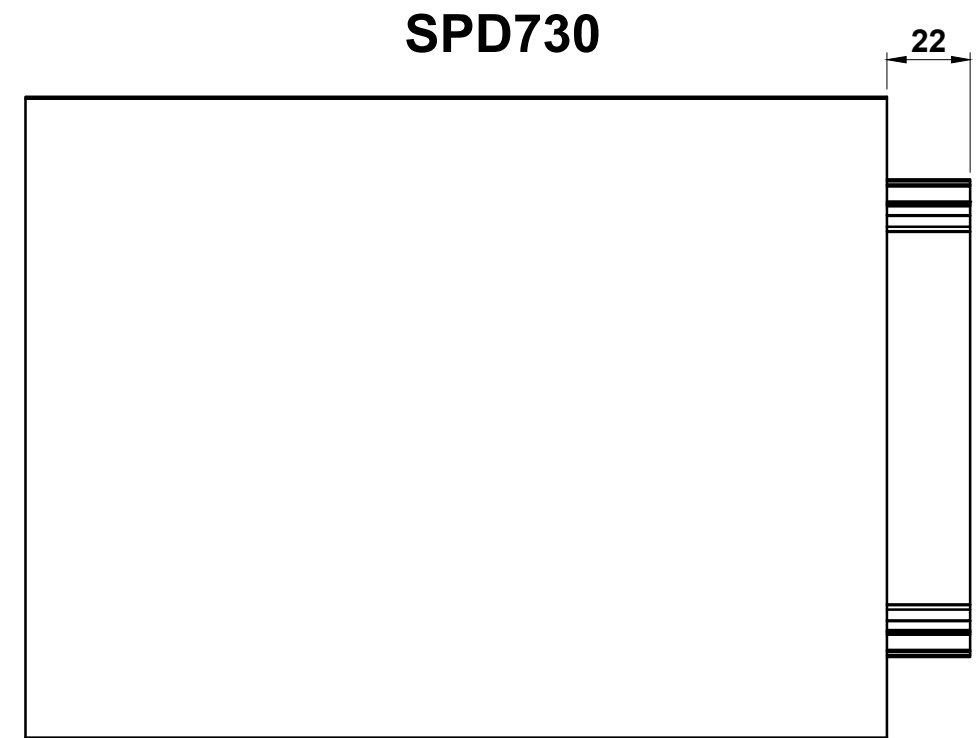
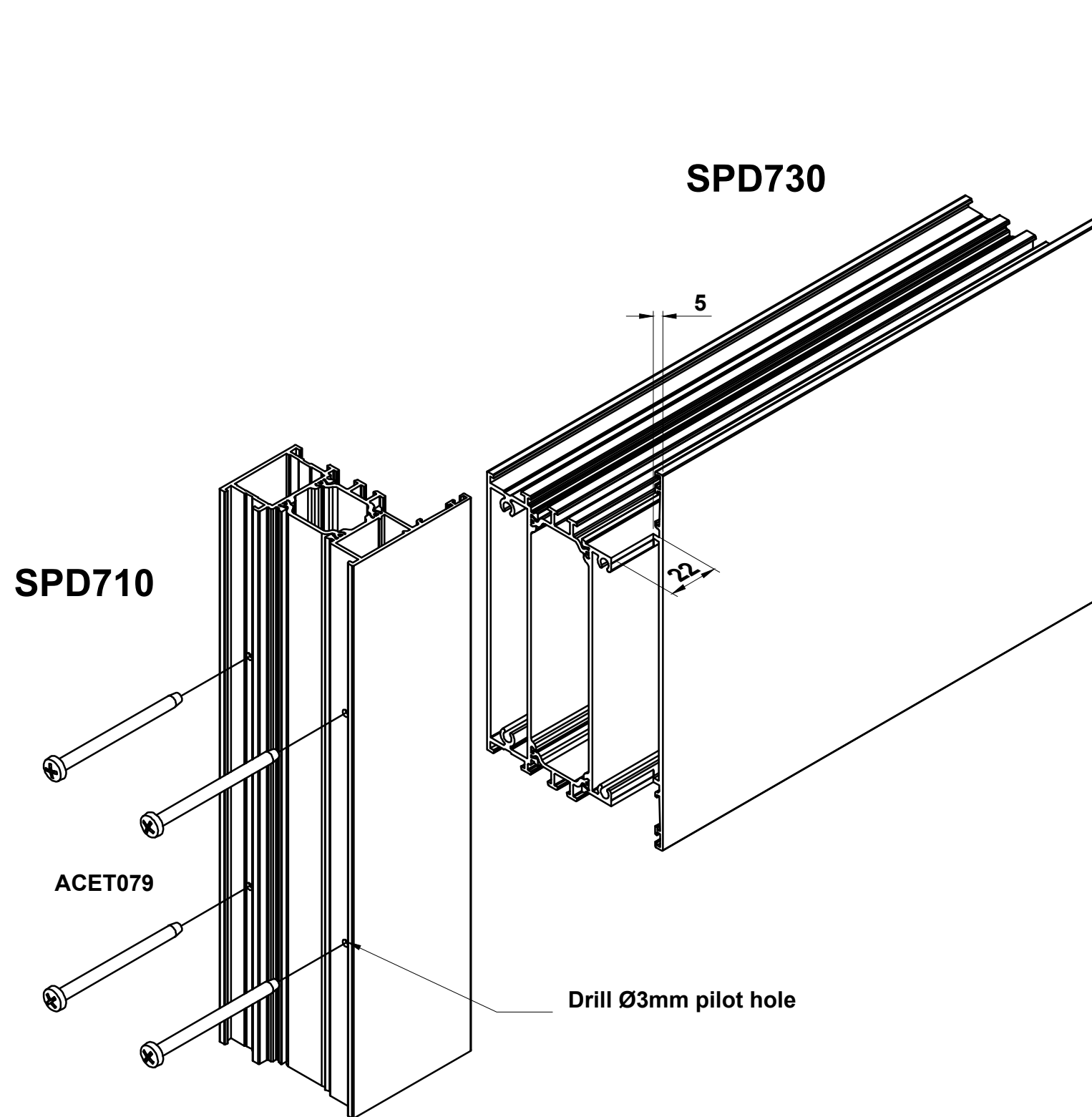
**Ensure UN3000 joints are sealed using ACSIL04.**

**See page E05 for UN3000 Drainage Detail**

**Do Not Scale From This Drawing**



SPD730 Fixing Detail

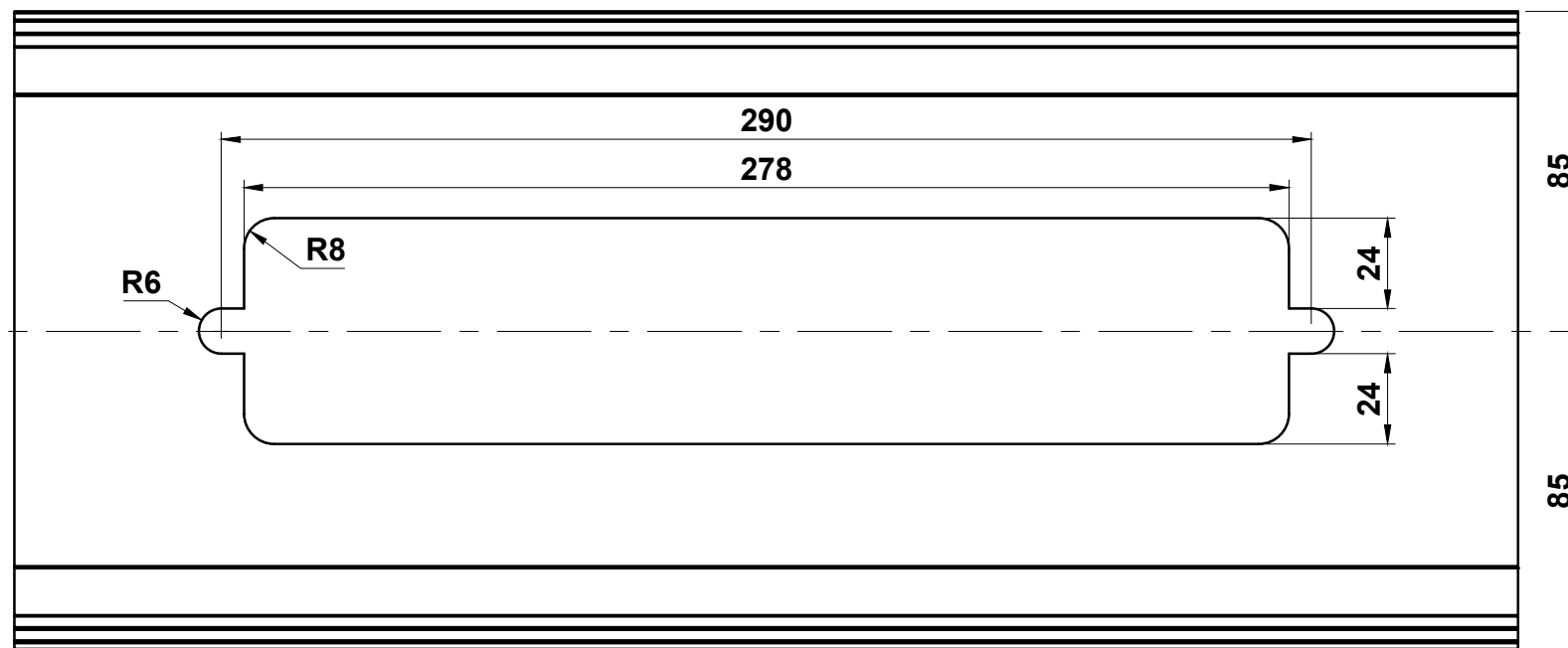


Do Not Scale From This Drawing

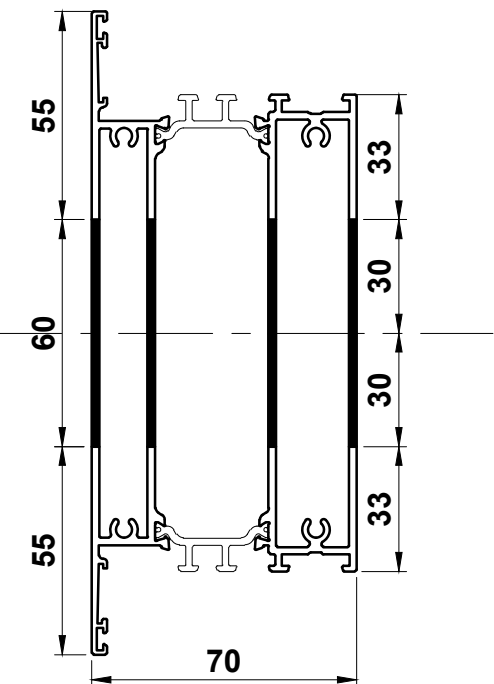


ACPD742 Letter Plate Preparation

SPD730



SPD730

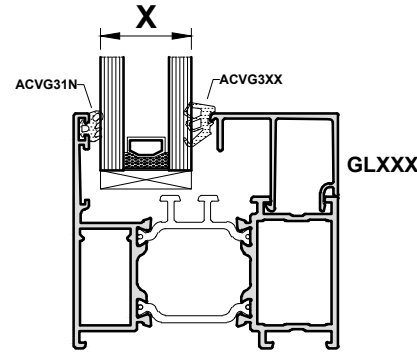


Do Not Scale From This Drawing

Glazing Details

Standard Beads

Outer Frame: SPD710  
Transom: SPD730

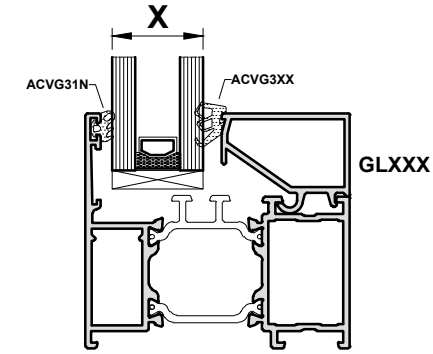


Glass Thickness	External Gasket	Internal Gasket	Glazing Bead
24	ACVG31N	ACVG34N	GL034
25	ACVG31N	ACVG33N	GL034
26	ACVG31N	ACVG32N	GL034
27	ACVG31N	ACVG340N	GL030
28	ACVG31N	ACVG34N	GL030
29	ACVG31N	ACVG33N	GL030
30	ACVG31N	ACVG32N	GL030
31	ACVG31N	ACVG33N	GL028
32	ACVG31N	ACVG32N	GL028
33	ACVG31N	ACVG33N	GL026
34	ACVG31N	ACVG32N	GL026
35	ACVG31N	ACVG34N	GL023
36	ACVG31N	ACVG33N	GL023
37	ACVG31N	ACVG32N	GL023
38	ACVG31N	ACVG34N	GL020
39	ACVG31N	ACVG33N	GL020
40	ACVG31N	ACVG32N	GL020
41	ACVG31N	ACVG340N	GL016
42	ACVG31N	ACVG34N	GL016
43	ACVG31N	ACVG33N	GL016
44	ACVG31N	ACVG32N	GL016
45	ACVG31N	ACVG33N	GL014
46	ACVG31N	ACVG32N	GL014
47	ACVG31N	ACVG33N	GL012
48	ACVG31N	ACVG32N	GL012

Glass Thickness	External Gasket	Internal Gasket	Glazing Bead
49	ACVG31N	ACVG340N	GL008
50	ACVG31N	ACVG34N	GL008
51	ACVG31N	ACVG33N	GL008
52	ACVG31N	ACVG32N	GL008
53	ACVG31N	ACVG340N	GL004
54	ACVG31N	ACVG34N	GL004
55	ACVG31N	ACVG33N	GL004
56	ACVG31N	ACVG32N	GL004

High Security Beads

Outer Frame: SPD710  
Transom: SPD730



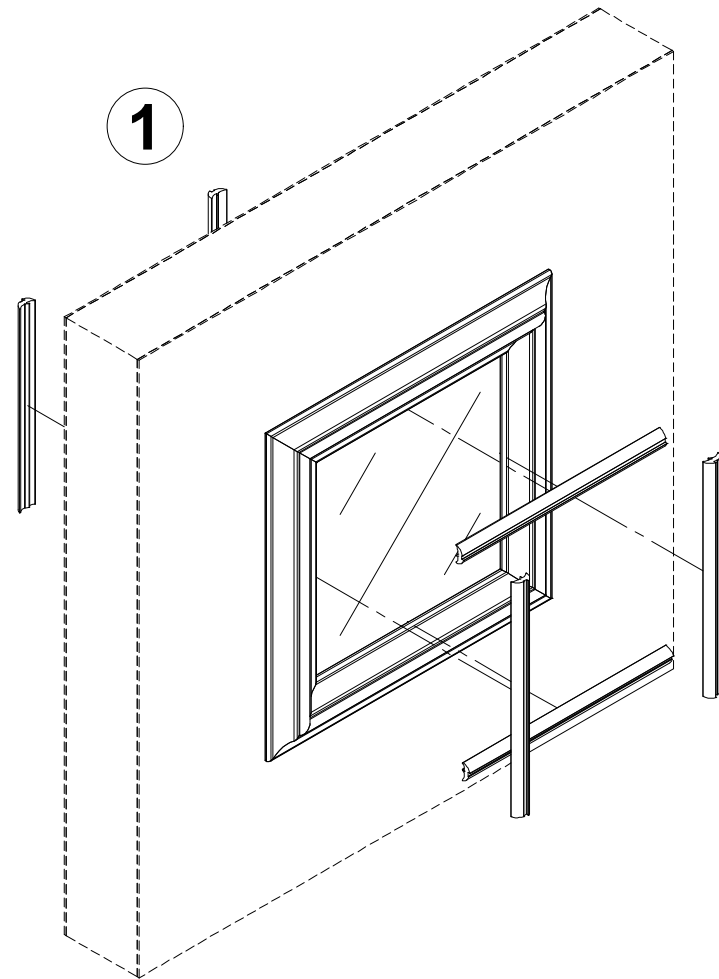
Glass Thickness	External Gasket	Internal Gasket	Glazing Bead
24	ACVG31N	ACVG34N	GL534
25	ACVG31N	ACVG33N	GL534
26	ACVG31N	ACVG32N	GL534
27	ACVG31N	ACVG340N	GL530
28	ACVG31N	ACVG34N	GL530
29	ACVG31N	ACDV33N	GL530
30	ACVG31N	ACVG32N	GL530
31	ACVG31N	ACVG340N	GL526
32	ACVG31N	ACVG34N	GL526
33	ACVG31N	ACVG33N	GL526
34	ACVG31N	ACVG32N	GL526
41	ACVG31N	ACVG340N	GL516
42	ACVG31N	ACVG34N	GL516
43	ACVG31N	ACVG33N	GL516
44	ACVG31N	ACVG32N	GL516
45	ACVG31N	ACVG340N	GL512
46	ACVG31N	ACVG34N	GL512
47	ACVG31N	ACVG33N	GL512
48	ACVG31N	ACVG32N	GL512
53	ACVG31N	ACVG340N	GL504
54	ACVG31N	ACVG34N	GL504
55	ACVG31N	ACVG33N	GL504
56	ACVG31N	ACVG32N	GL504

Do Not Scale From This Drawing

**Removing the Glazing from Glass Mouldings**

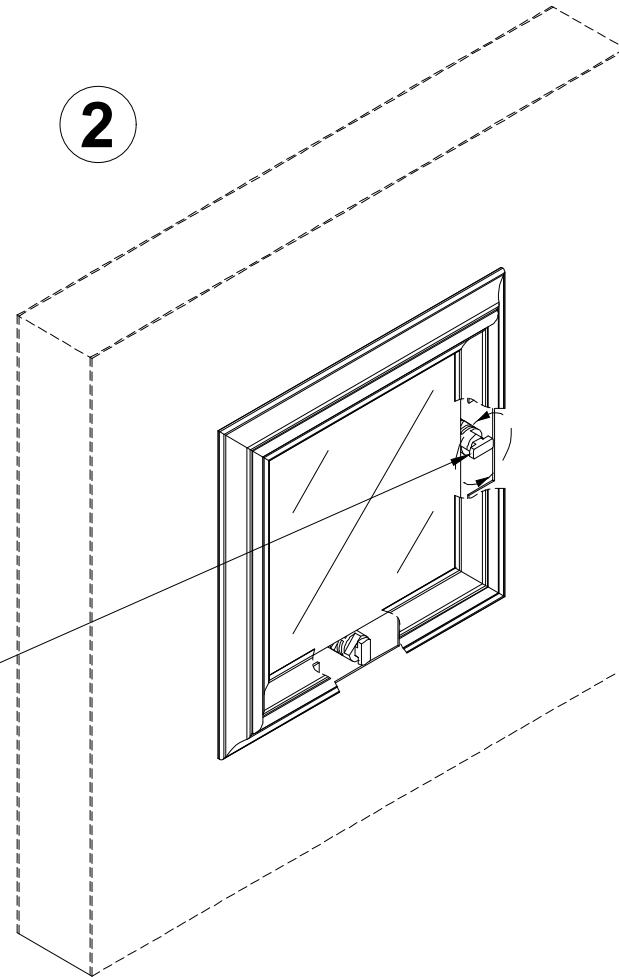
**Note: Glazed mouldings can only be glazed from the inside as outside moulding is sealed before delivery. All below drawings are shown from the inside.**

**1**



Carefully remove the glazing gaskets from both sides of the moulding. Glazing gaskets are either ACVG34 (5mm Wedge) or ACVG33 (4mm Wedge).

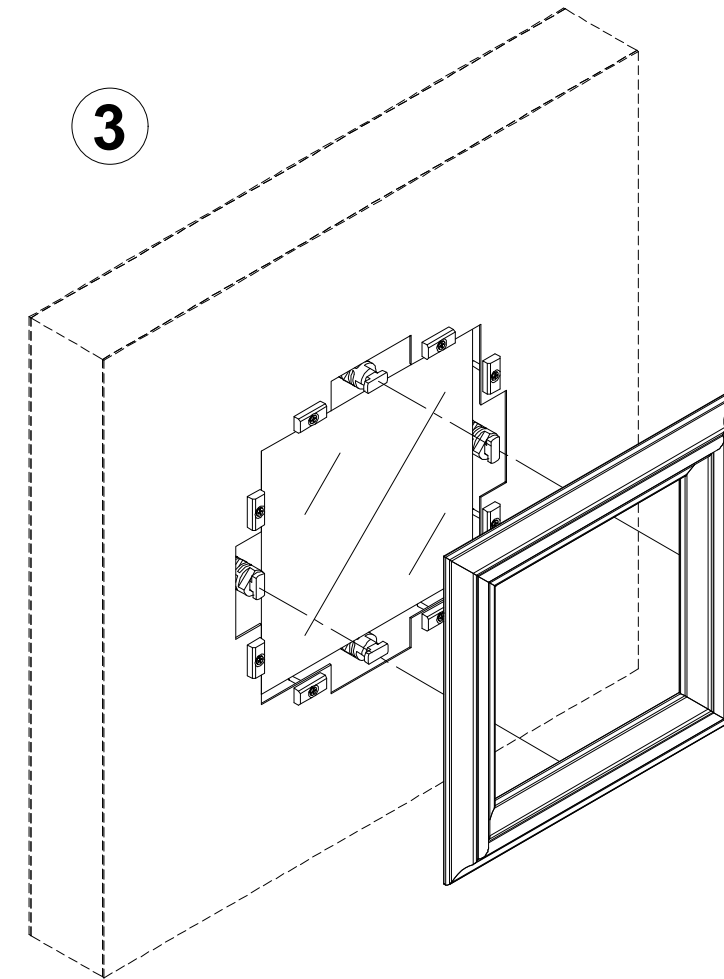
**2**



Locate the Cam Locks. The locations of these will change depending on size of the moulding. Usual locations are: centre and near corners (within 150mm).

Using a 12mm spanner rotate the cam by 90° anti clockwise to release the moulding.

**3**



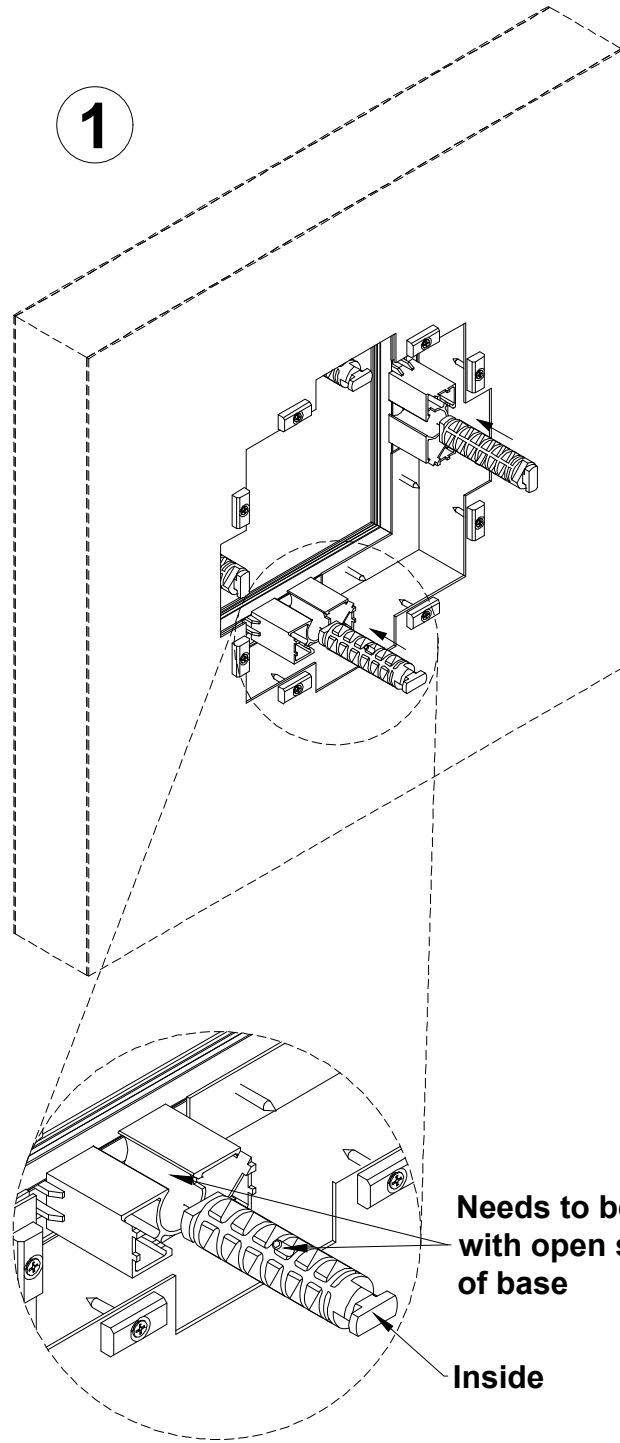
Carefully remove the moulding. The moulding should come away easily with all the cam locks undone.

Once the moulding has been detached the glass unit can be removed.

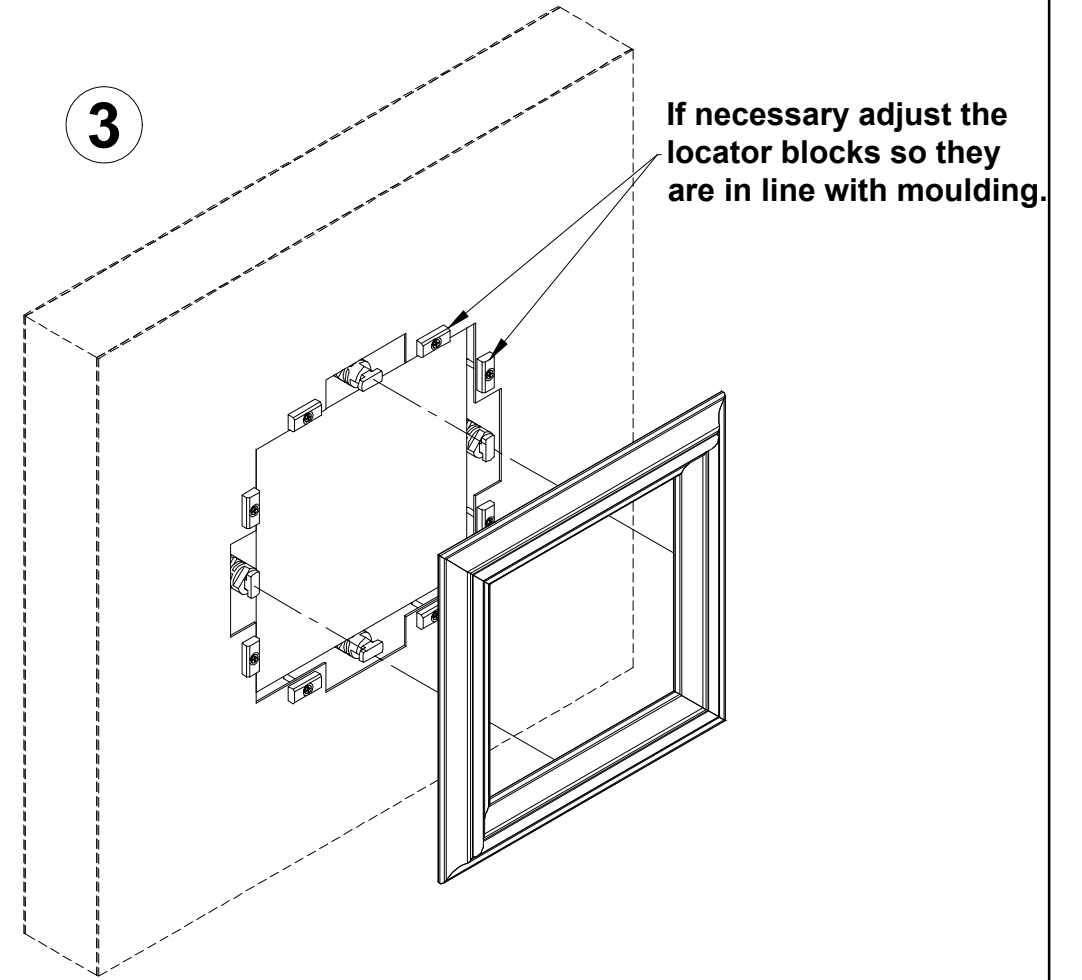
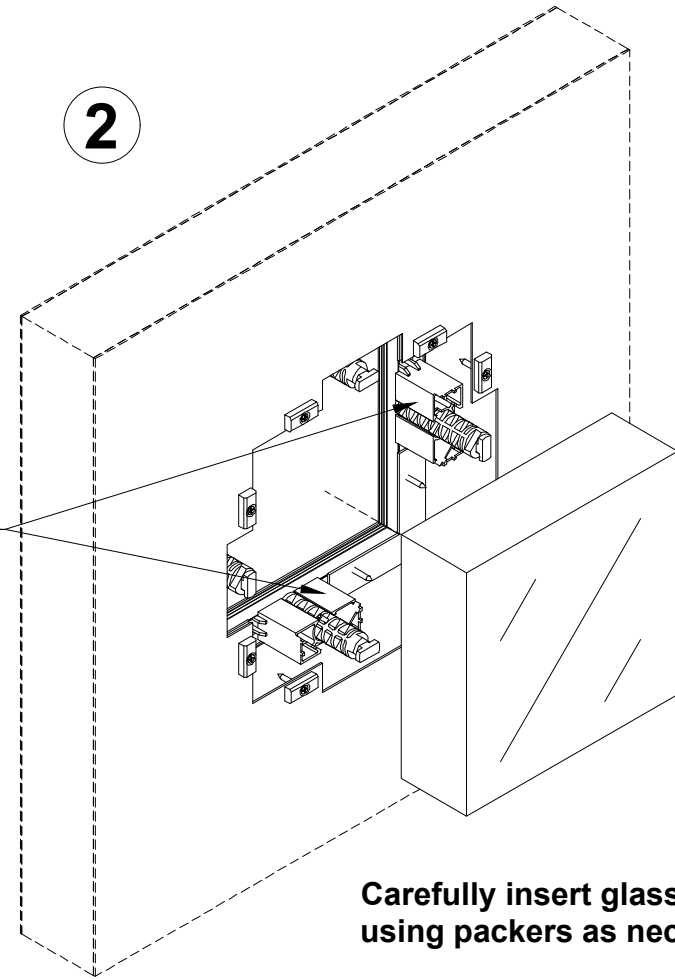
Do Not Scale From This Drawing

### Glazing into Glass Mouldings (Part 1)

Note: Glazed mouldings can only be glazed from the inside as outside moulding is sealed before delivery. All below drawings are shown from the inside.



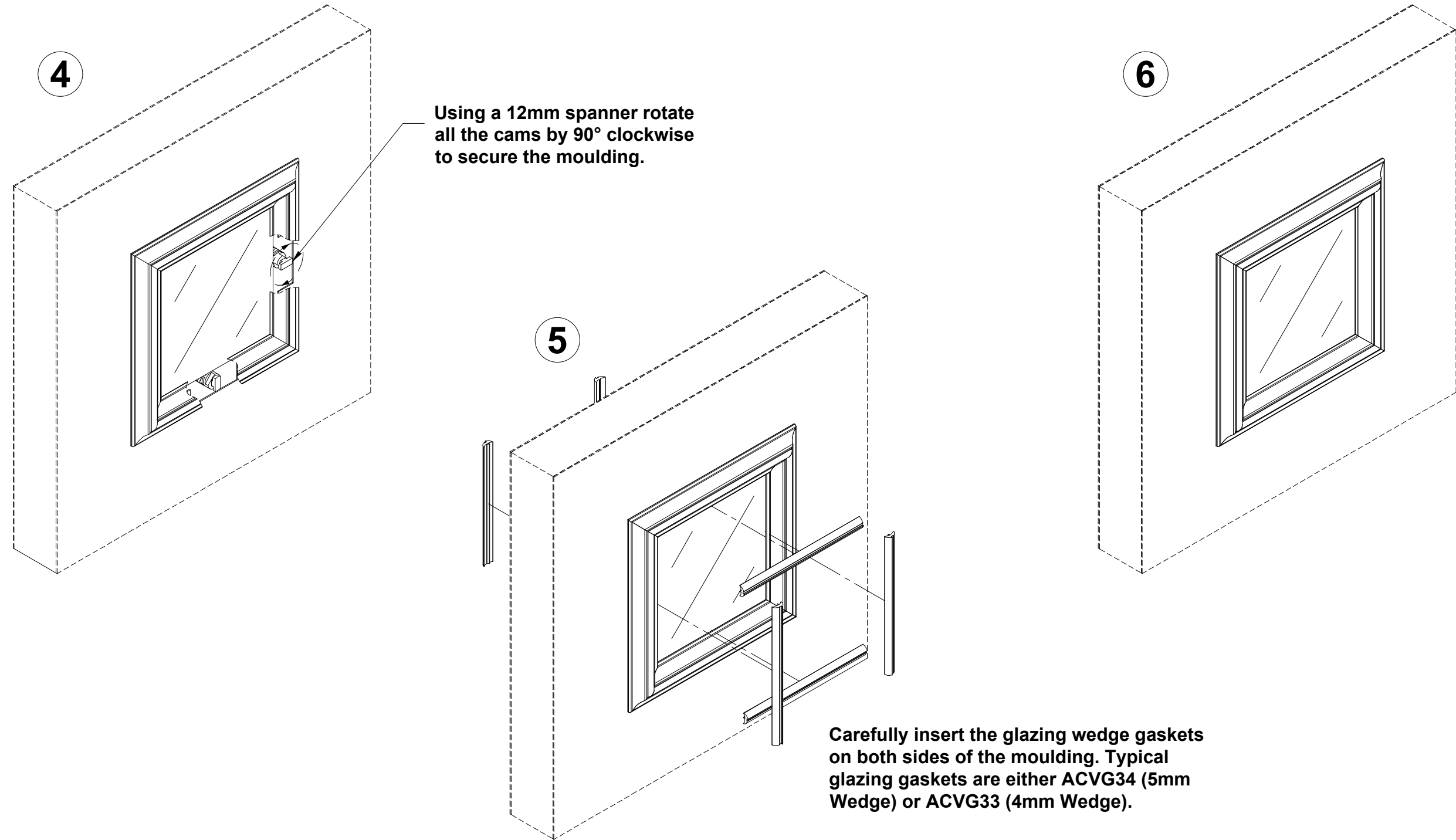
Insert Cam into base making sure that it is inserted the right way round.



Do Not Scale From This Drawing

### Glazing into Glass Mouldings (Part 2)

Note: Glazed mouldings can only be glazed from the inside as outside moulding is sealed before delivery. All below drawings are shown from the inside.



Do Not Scale From This Drawing

**This page intentionally left blank**

**Do Not Scale From This Drawing**

**Section F**

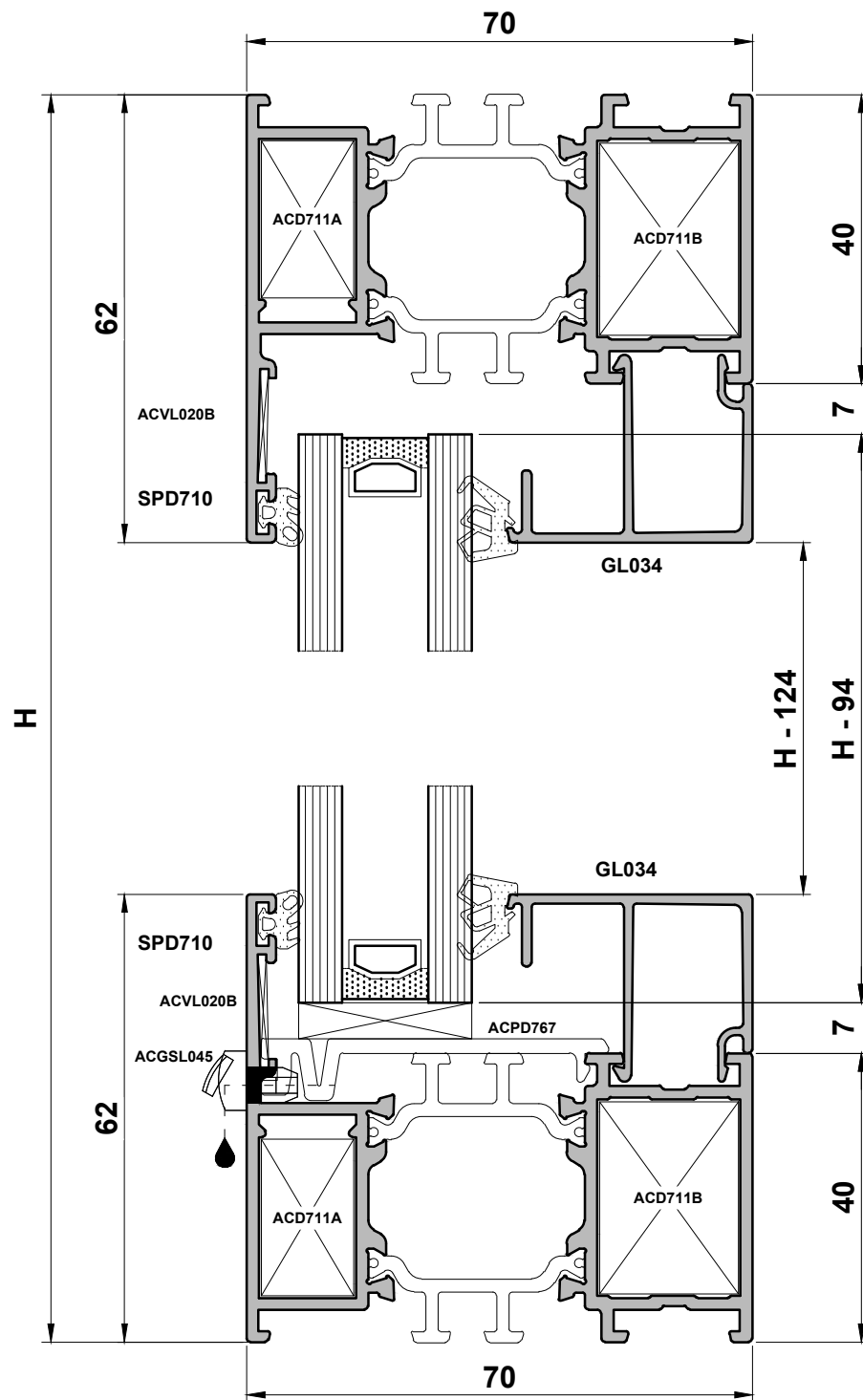
**Sawing Tables**

Fixed Light.....	F03
Fixed Light with Transom.....	F04

**This page intentionally left blank**



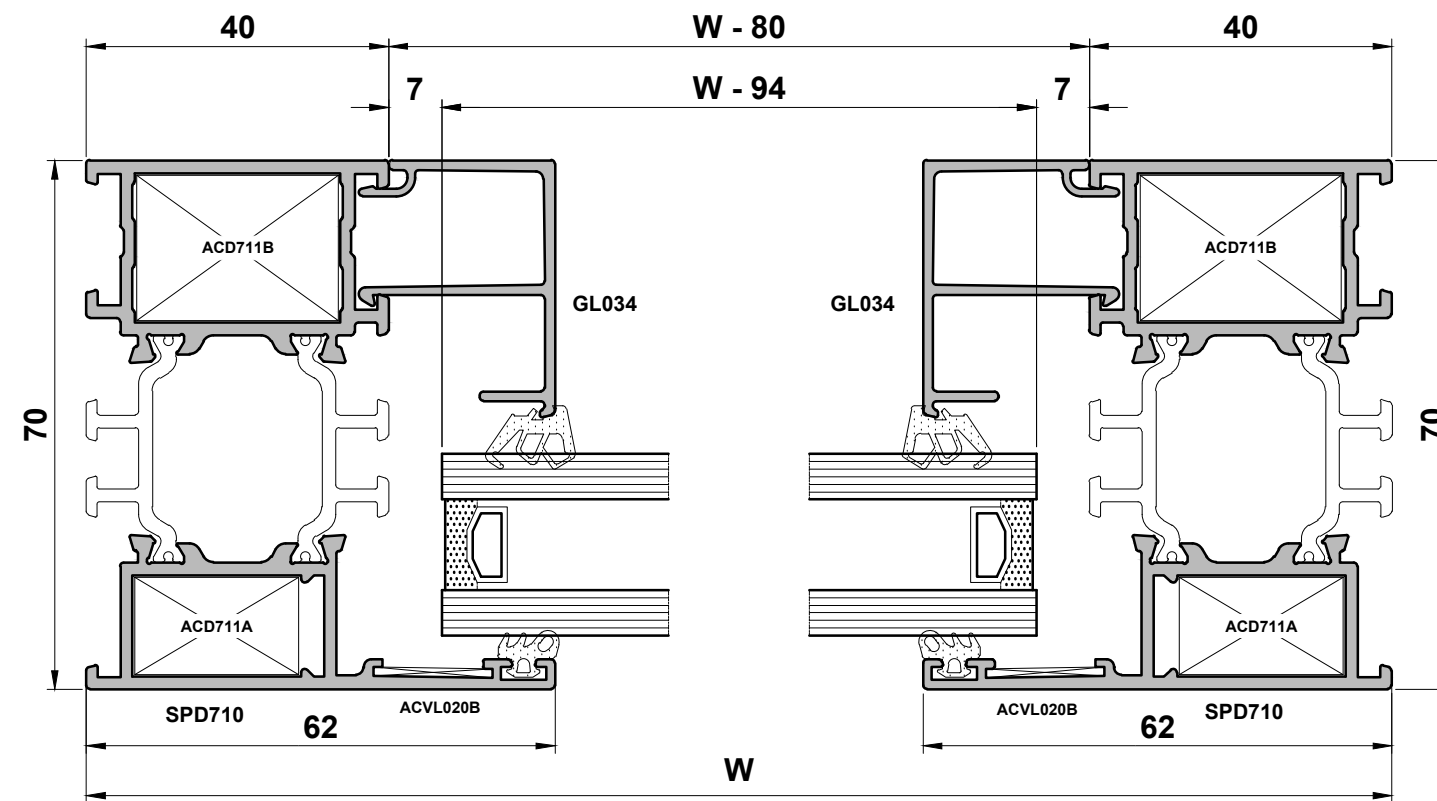
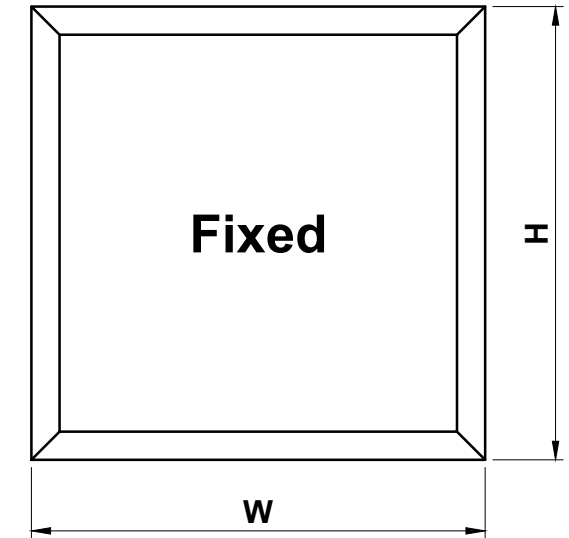
**Cutting Information - Fixed Light**



Profiles				
SPD710		2		W
SPD710		2		H
BEAD		2		W - 80
BEAD		2		H - 124

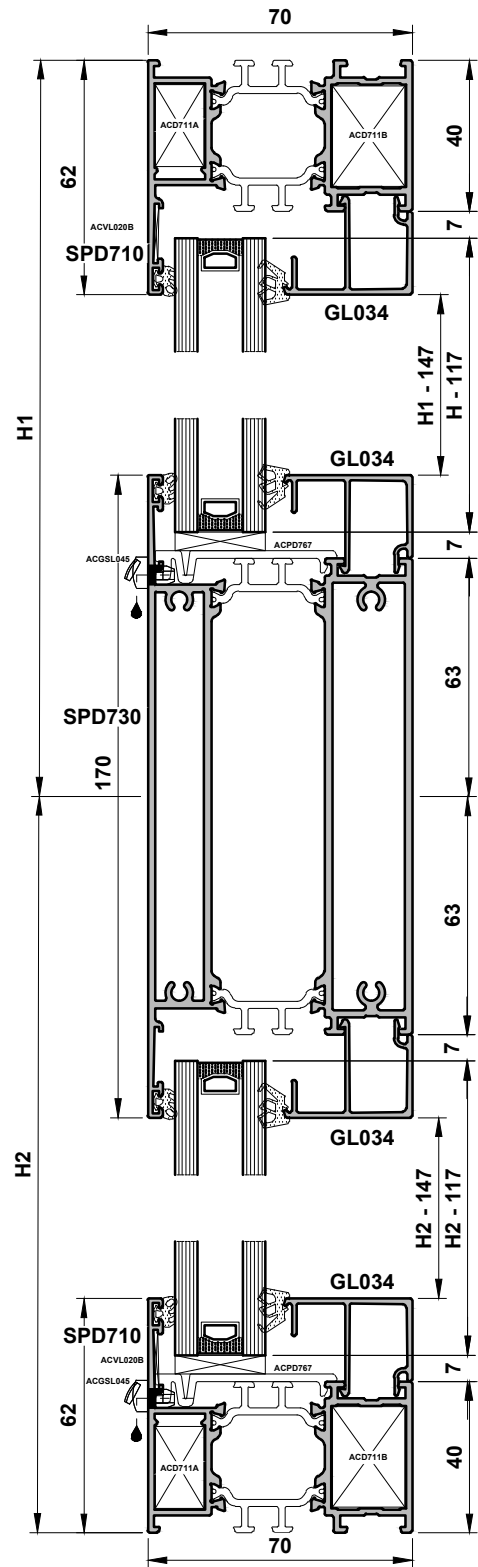
Accessories				
ACGSL045		2		Drainage Cover Cap
ACPD711A		4		SPD710 External Crimp Cleat
ACPD711B		4		SPD710 Internal Crimp Cleat
ACPD767		2		Bridge Packer
ACVG31N		2H + 2W - 400		External E Gasket
ACVG3XX		2H + 2W - 400		Internal Wedge Gasket
ACVL020B		4		Chevron

Glass Sizes	
1x	W - 94
	H - 94



**Do Not Scale From This Drawing**

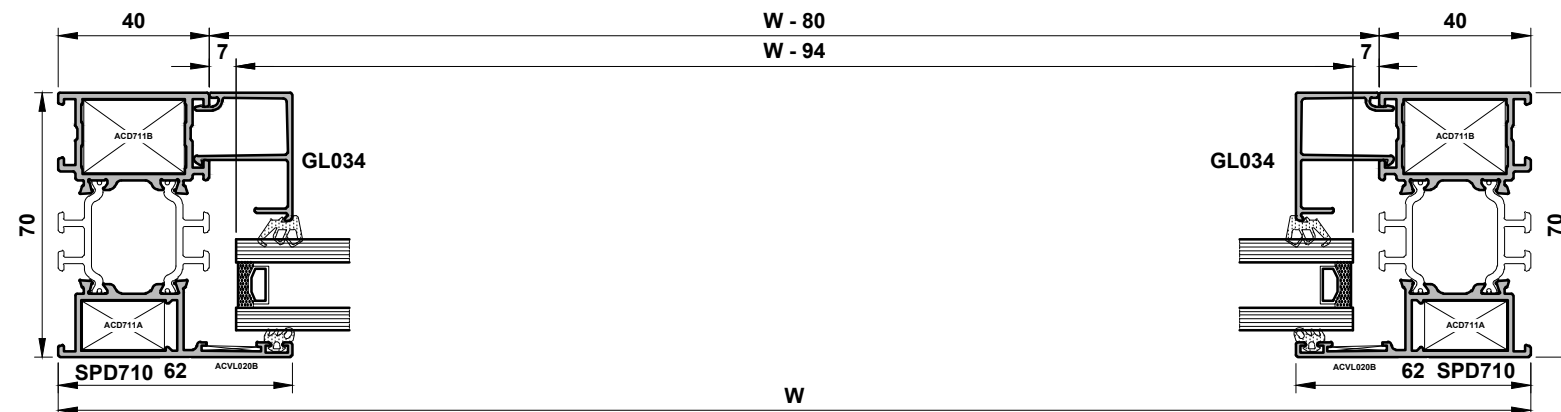
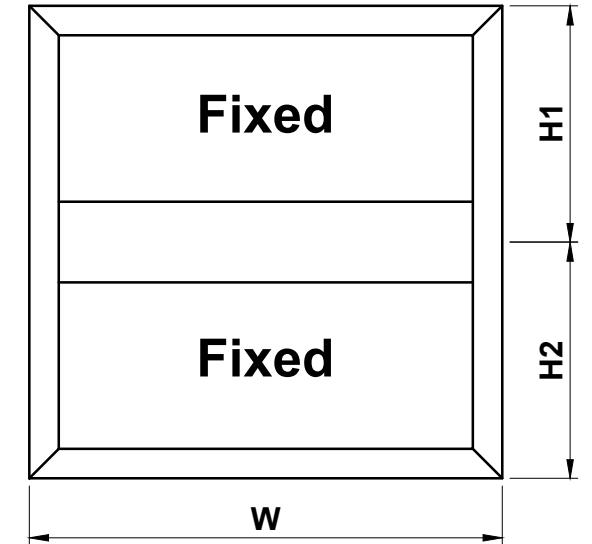
Cutting Information - Fixed Light with Transom



Profiles				
SPD710		2		W
SPD710		2		H
SPD730		1		W - 80
BEAD		4		W - 80
BEAD		2		H1 - 147
BEAD		2		H2 - 147

Accessories		
ACET079		8 No. 10 x 63.5mm Pan Head Screw
ACGSL045		4 Drainage Cover Cap
ACPD711A		4 SPD710 External Crimp Cleat
ACPD711B		4 SPD710 Internal Crimp Cleat
ACPD767		4 Bridge Packer
ACVG31N		2H + 4W - 880 External E Gasket
ACVG3XX		2H + 4W - 880 Internal Wedge Gasket
ACVL020B		4 Chevron

Glass Sizes	
1x	W - 94
	H1 - 117
1x	W - 94
	H2 - 117



Do Not Scale From This Drawing