

Main Index

<div style="border: 1px solid black; padding: 2px; display: inline-block; margin-bottom: 10px;">IMP</div> <div style="border: 1px solid black; padding: 2px; display: inline-block; margin-bottom: 10px;">Index</div>	<p>Index..... A01 - A02</p> <p>Updates..... A03</p>
<div style="border: 1px solid black; padding: 2px; display: inline-block; margin-bottom: 10px;">A</div> <div style="border: 1px solid black; padding: 2px; display: inline-block; margin-bottom: 10px;">IMP</div>	<p>Profiles</p> <p>Specification Pages..... A04 - A08</p> <p>Technical Information..... A09 - A18</p> <p>Scale Profile Drawings..... A19 - A48</p>
<div style="border: 1px solid black; padding: 2px; display: inline-block; margin-bottom: 10px;">B</div> <div style="border: 1px solid black; padding: 2px; display: inline-block; margin-bottom: 10px;">IMP</div>	<p>Accessories</p> <p>Photos & Drawings..... B03 - B36</p>
<div style="border: 1px solid black; padding: 2px; display: inline-block; margin-bottom: 10px;">C</div> <div style="border: 1px solid black; padding: 2px; display: inline-block; margin-bottom: 10px;">IMP</div>	<p>Sections</p> <p>Screen Section Details..... C03 - C17</p> <p>Standard Door Sections Details..... C18 - C32</p> <p>Rebated Door Section Details..... C33 - C52</p> <p>High Security Door Section Details..... C53 - C58</p> <p>Auto Door Section Details..... C59 - C62</p>
<div style="border: 1px solid black; padding: 2px; display: inline-block; margin-bottom: 10px;">D</div> <div style="border: 1px solid black; padding: 2px; display: inline-block; margin-bottom: 10px;">IMP</div>	<p>Statics..... D01 - D02</p>
<div style="border: 1px solid black; padding: 2px; display: inline-block; margin-bottom: 10px;">E</div> <div style="border: 1px solid black; padding: 2px; display: inline-block; margin-bottom: 10px;">IMP</div>	<p>Construction Drawings</p> <p>Screen Assembly..... E03 - E05</p> <p>Door Assembly..... E06 - E08</p> <p>Lock Preparation..... E09 - E12</p> <p>Door Closer Assembly..... E13 - E15</p> <p>Rebated Door..... E16 - E19</p> <p>Hinge Fixing..... E20</p> <p>ACSH470 Letter Plate Fitting..... E21</p> <p>Glazing Chart..... E22- E23</p> <p>Drainage Tray..... E24</p> <p>Opening Sash Inserts..... E25</p> <p>Clear Opening Calculations..... E26</p> <p>PAS24 Mag Lock Detail..... E27</p> <p>PAS24 Panic Bar Details..... E28- E52</p>

Main Index

PAS24 Auto-Slider Details.....	E53 - E56
PAS24 Double and Single door requirements.....	E57
Example Layout.....	E58



Sawing Tables

Single Manually Operated Swing Door.....	F03
Double Manually Operated Swing Door.....	F04
Single Automatic Swing Door.....	F05
Double Automatic Swing Door.....	F06
Single Automatic Slide Door.....	F07
Bi-Parting Automatic Slide Door.....	F08
Single Rebated Door.....	F09
Double Rebated Door.....	F10
Single Rebated Anti-Finger Trap Door.....	F11
Double Rebated Anti-Finger Trap Door.....	F12
Single Door Autoslide PAS24:2016.....	F13
Double Door Autoslide PAS24:2016.....	F14
Open In Single Rebated Anti-Finger Trap Door.....	F15
Open In Double Rebated Anti-Finger Trap Door.....	F16

Updates

DATE	PAGE	DESCRIPTION
15/06/17	A03 - A07	Updated PAS24 & Kitemark™ Information
	A08 - A36	Added Profiles; <ul style="list-style-type: none"> - IMP118, Deep Header bar for Dorma Closer - IMP264, Threshold with Rebate (Open In)
	B03 - B22	Added Accessories; <ul style="list-style-type: none"> - ACIM264, PVC End Cap for IMP264 - ACET232, Threshold Gasket with Upstand - ACET234, Threshold Gasket
06/09/19	All Sections	Added Accessories; <ul style="list-style-type: none"> - PAS24 Autoslide kits ACIM271, ACIM272, ACIM280 & ACSZ049 - Fixing and reinforcing components for concealed panic bar ACIM510 Added Details; <ul style="list-style-type: none"> - PAS24 Single/Double Autoslide Configurations - Concealed Panic bar details for ACIM452 & ACIM453
16/03/20	All Sections	IMP115 Auto Door Header updated
	E33 - E34	PAS24 Axim Panic Bar details added
07/09/21	All Sections	LPS1175 Level 2 & ENV1627 Level 3 details removed from the manual Added Profiles; <ul style="list-style-type: none"> - IMP115 Reintroduced - IMP115N Superseded by IMP116 - ACMX05520 Superseded by ACMX05520N - ACMX05522 Superseded by ACMX05522N Discontinued Profiles; <ul style="list-style-type: none"> - IMP118 Discontinued - IMP414 Discontinued
March 2023	B11 B03, 04 & 23 B17, E33-36 E36 F07 - F08 F13 - F14 F15 - F16	ACIM023 Removed 45/45 Cylinders added & ACSH446 superseded by ACPD775 ACIM271N & ACIM272N Added & fitting details updated Stile cut out details added Side light transom and glass deductions amended VG532 & VG533 Size deduction amended Open in rebated door sawing tables added
July 2024	All Sections B15 - B18 E30 - E51	ACIM452 & ACIM453 Removed ACIM064, ACIM065, ACIM066, ACIM067, ACIM069, ACIM071, ACIM074, ACIM077, ACIM078 & ACIM079 added.

Specification

GENERAL DESCRIPTION

Smart Wall is a thermally broken shop front screen and door system suitable for all types of ground floor treatment where enhanced thermal performance is required.

Smart Wall is a Kitemarked system (KM 530838) and full details can be found in the Document Library at www.smartsystems.co.uk where an up to date list of the included sections and hardware covered are shown.

In addition to PAS 24:2016, Smart Wall has been successfully tested to LPS 1175 level 2 and BS ENV 1627 level 3 for enhanced security performance making the door one of the best performing fully thermally broken screen & entrance doors available in the UK. Please contact our technical department for details and further information.

The screen work in this manual concentrates on shuffle glazed sections for 28mm units.

All profiles feature polyamide barriers to maximise thermal performance and can be internally or externally glazed.

Unlike non-thermal alternatives, Smart Wall is available in dual colour from an extensive range of standard and non-standard finishes.

Specification

Kitemark™ Certificate
No. KM 530838

Size Limitations and Performance Characteristics

Smart Wall Door System

Door Type	Width (mm) Maximum	Height (mm) Maximum	Hinges	Transom/Mullion Length (mm) inc frame - Maximum	Air Permeability classification	Water tightness classification	Resistance to Wind classification	Exposure category as given in Table 1 of BS 6375-1:2009
Rebated Single Leaf	1200	2500	ACIM425B Closure Kit	-	2	7A	A5	2000
Rebated Double Leaf	1200	2500	ACIM425B Closure Kit	-	2	7A	A5	2000
Single Leaf	1200	2500	ACIM425B Closure Kit	-	-	-	A2	800U
Double Leaf	1200	2500	ACIM425B Closure Kit	-	-	-	A2	800U
Slidescreen	3000	2500	-	-	4	9A	A4	1600

⚠ Important! ⚠

The size parameters shown against Kitemark are the maximum allowed without the need for further testing. Please note these are not necessarily the system parameters which may be smaller or larger. Please refer to fabrication parameters in this manual.

RECOMMENDED DESIGN LIMITATIONS

Manual Centre Pivot Doors:

Maximum Width: 1150mm
Minimum Width: 400mm
Maximum Height: 2500mm
Maximum Weight: 80kg

Manual Hinged Doors:

Maximum Width: 1100mm
Minimum Width: 400mm
Maximum Height: 2500mm
Maximum Weight: 100kg (with 3 hinges)
Note: See page C33 for more information on limitations

Auto Doors:

See supplier of auto mechanism for design limitations.

Screens:

All screen work must meet the requirements of the site location. If there is any doubt regarding suitability, please contact our technical department Tel: 01934 876100.

Specification

PROFILE SPECIFICATION

The system is constructed of aluminium alloy extrusion to BS EN 755-9 and BS EN 12020, extruded to 6063 T6 alloy. The internal and external extrusions are separated with a polyamide thermal break.

The aluminium alloy extrusion is pre-treated and finished either:-

- a) Anodised to BS 3987: 1987, grade AA25 to a natural self colour.
- b) Polyester powder organic coating to BS 6496. Dual colour is available.

GENERAL MANUFACTURING

Screens & doors are made by cutting the frame profiles with accurate 90° square ends using Tungsten Carbide Tipped Saw Blades, operating at approximately 3000 rpm. Cut ends shall be degreased prior to fabrication.

The doors are joined using aluminium cleats in the stiles which are secured in position by tightening a grub screw until it punches through the aluminium. The rails are then pre-drilled using a drill jig and positioned over the cleat and tightened using the fixing supplied. ACSIL013 cleat glue provides additional strength for larger doors.

For screens, the ends of transoms and mullions are square cut and fixed using self-tapping screws. ACSIL04 small gap sealant must be used on all joints prior to assembly.

On polyester powder coated finishes, great care should be taken to avoid getting gap sealer on visible surfaces and should be removed as soon as possible with a clean cloth.

Care should be exercised when using products not supplied by Smart Systems Ltd as no responsibility can be accepted.

Specification

DRAINAGE

As with all dry glazed systems, it is recommended that the system is adequately drained and ventilated. Refer to drainage details in manual, if in doubt ask The Technical Department.

In order to get maximum performance and weather resistance it is recommended that drips are used above doors & on the bottom rail above the threshold.

SCREEN MANUFACTURING INFORMATION

The screen members are cut with 90° ends to the overall size required.

The mullions should be marked in pairs to ensure accurate alignment for the head, cill & transom sections.

Using the marked centre line, drill the transom/mullion fixing holes using a 5.5mm dia. drill bit.

Prior to fixing of transoms to mullions, a suitable gap sealer may be used on the ends. After fixing, special care should be taken to ensure any excess is cleared from painted surfaces.

DOORS

The door section are cut with 90° ends to the overall size required.

The doors are joined using aluminium cleats in the stiles which are secured in position by tightening a grub screw until it punches through the aluminium. The rails are then pre-drilled using a drill jig and positioned over the cleat and tightened using the fixing supplied. ACSIL013 cleat glue provides additional strength for larger doors.

IMP032 mid rail is fixed into position using two brackets per join which require self tapping screws to hold in position.

DOOR FITTINGS

Smart Wall offers a wide range of door fittings to suit most applications. If your particular requirements are not shown in this manual, please contact our technical department for more information.

GLAZING

All beads are cut to suit the glazing aperture on the fully assembled Screen or door for glazing either at factory or on site as required.

Doors are intended to be internally glazed. Screens are shown in this manual as externally glazed, but may be reversed if necessary, providing drainage is considered.

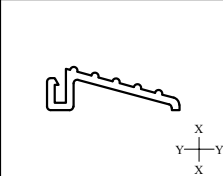
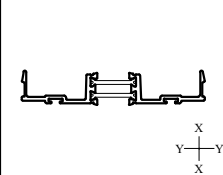
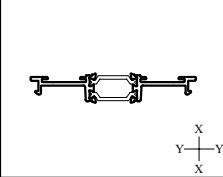
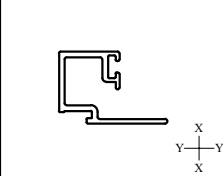
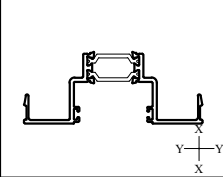
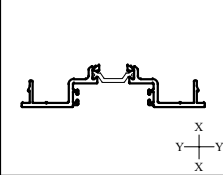
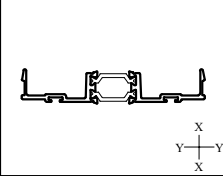
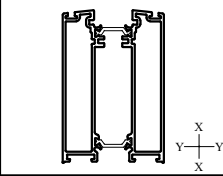
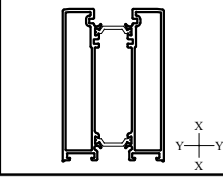
Specification

Smart Wall U Values

Please refer to the Smart Systems' Document L White Paper or contact the Technical Department.

For advise on window sizes outside of the recommended design limitations, please contact the Technical Department at Smart Systems Ltd Tel: 01934 876100

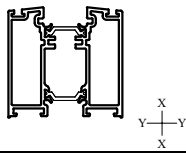
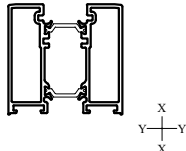
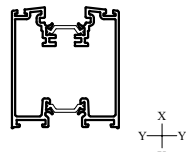
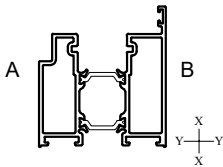
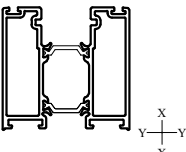
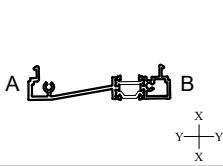
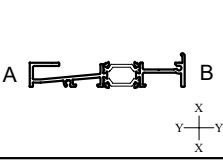
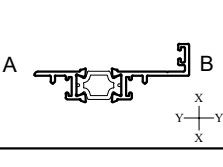
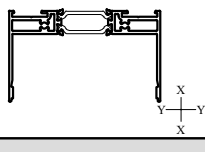
PROFILES : TECHNICAL INFORMATION

Number	Picture	Page	Perim. mm	Mec. mm	lx(cm4) wx(cm3)	ly(cm4) wy(cm3)	Length	Pack pr.	MF	SA	KL	HP	M	
EUD03		A37	113	39	- ---	- ---	6.5	1	✓	✓				
IMP011		A27	340	72	26.5 ---	0.7 ---	6.5	1	✓	✓	✓	✓	✓	
IMP013		A25	312	23	25.6 ---	0.4 ---	6.5	1	✓	✓	✓	✓	✓	
IMP014		A25	152	34	- ---	- ---	6.5	1	✓	✓	✓	✓		
IMP015		A27	424	47	31.18 ---	6.15 ---	6.5	1	✓	✓	✓	✓	✓	
IMP016		A19	169	56	27.69 ---	1.39 ---	6.5	1	✓	✓	✓	✓	✓	
IMP019		A27	340	72	26.5 ---	0.7 ---	6.5	1	✓	✓	✓	✓	✓	
IMP025		A31	648	123	61.85 ---	137.47 ---	6.5	1	✓	✓	✓	✓	✓	
IMP026		A31	610	123	60.88 ---	133.58 ---	6.5	1	✓	✓	✓	✓	✓	
									A = Outside B = Inside		MF = Mill Finish SA = Silver Anodised KL = Basic Colour HP = Special Colour M = Dual Colour			

PROFILES : TECHNICAL INFORMATION

Number	Picture	Page	Perim. mm	Mec. mm	Ix(cm4) wx(cm3)	Iy(cm4) wy(cm3)	Length	Pack pr.	MF	SA	KL	HP	M	
IMP027		A33	712	228	60.8 ----- 17.8	90.6 ----- 15.1	6.5	1	✓	✓	✓	✓	✓	
IMP028		A35	1013	383	102.38 ----- 49.59	495.54 ----- 49.59	6.5	1	✓	✓	✓	✓	✓	
IMP030		A21	413	135	72.5 ----- 11.9	16.3 ----- 6.2	6.5	1	✓	✓	✓	✓	✓	
IMP032		A37	384	78	21.5 ----- 5.61	4.21 ----- 1.49	6.5	1	✓	✓	✓	✓	✓	
IMP034		A36	953	368	91.8 ----- 26.25	441.0 ----- 44.1	5	1	✓	✓	✓	✓	✓	
IMP035		A28	226	58	9.2 ----- 1.8	3.76 ----- 1.31	6.5	1	✓	✓	✓	✓	✓	
IMP036N		A28	424	161	50.9 ----- 12.3	32.9 ----- 10.9	6.5	1	✓	✓	✓	✓	✓	
IMP037N		A28	421	154	45.0 ----- 12.2	32.1 ----- 10.6	6.5	1	✓	✓	✓	✓	✓	
IMP038		A29	525	159	44.5 ----- 12.7	39.4 ----- 11.3	6.5	1	✓	✓	✓	✓	✓	
									A = Outside B = Inside		MF = Mill Finish SA = Silver Anodised KL = Basic Colour HP = Special Colour M = Dual Colour			

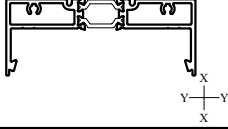
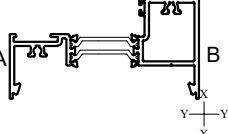
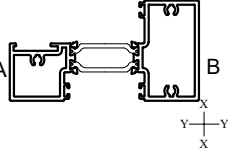
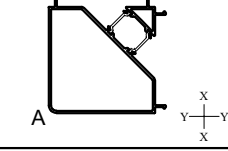
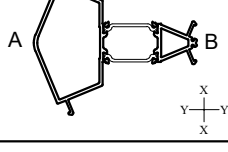
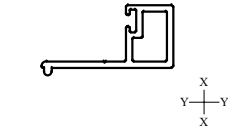
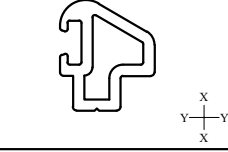
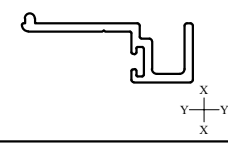
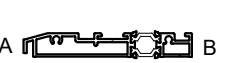
PROFILES : TECHNICAL INFORMATION

Number	Picture	Page	Perim. mm	Mec. mm	lx(cm4) wx(cm3)	ly(cm4) wy(cm3)	Length	Pack pr.	MF	SA	KL	HP	M	
IMP039		A29	504	134	43.5 ----- 13.0	35.9 ----- 11.5	6.5	1	✓	✓	✓	✓	✓	
IMP040		A29	466	172	42.5 ----- 12.7	35.1 ----- 11.1	6.5	1	✓	✓	✓	✓	✓	
IMP041		A30	765	217	47.16 ----- 14.08	55.14 ----- 15.27	6.5	1	✓	✓	✓	✓	✓	
IMP042		A31	408	169	41.95 ----- 11.92	31.15 ----- 9.95	6.5	1	✓	✓	✓	✓	✓	
IMP043		A31	400	206	43.73 ----- 13.05	35.2 ----- 11.11	6.5	1	✓	✓	✓	✓	✓	
IMP056		A21	385	28	53.67 ----- 10.67	1.47 ----- 1.79	6.5	1	✓	✓	✓	✓	✓	
IMP057		A22	408	30	47.85 ----- 9.01	0.97 ----- 1.06	6.5	1	✓	✓	✓	✓	✓	
IMP058		A22	224	87	5.35 ----- 0.40	1.69 ----- 0.42	6.5	1	✓	✓	✓	✓	✓	
IMP110		A26	458	129	98.1 ----- 19.76	16.12 ----- 9.26	6.5	1	✓	✓	✓	✓	✓	
									A = Outside B = Inside		MF = Mill Finish SA = Silver Anodised KL = Basic Colour HP = Special Colour M = Dual Colour			

PROFILES : TECHNICAL INFORMATION

Number	Picture	Page	Perim. mm	Mec. mm	lx(cm4) wx(cm3)	ly(cm4) wy(cm3)	Length	Pack pr.	MF	SA	KL	HP	M	
IMP111		A38	406	166	91.26 ----- 27.16	10.5 ----- 4.84	6.5	1	✓	✓	✓	✓	✓	
IMP114		A30	74	52	- ----- -	- ----- -	6.5	1	✓	✓	✓	✓		
IMP115		A39	820	362	322.06 ----- 35.68	307.80 ----- 73.06	4.2	1	✓	✓	✓	✓	✓	
IMP116		A40	820	356	316.10 ----- 35.16	303.88 ----- 72.53	4.2	1	✓	✓	✓	✓	✓	
IMP120		A33	522	165	44.2 ----- 12.8	30.9 ----- 7.3	6.5	1	✓	✓	✓	✓	✓	
IMP121		A34	538	207	46.01 ----- 13.41	50.55 ----- 14.37	6.5	1	✓	✓	✓	✓	✓	
IMP122		A34	650	234	58.88 ----- 17.28	91.43 ----- 15.66	6.5	1	✓	✓	✓	✓	✓	
IMP210		A19	435	174	109.04 ----- 21.81	18.43 ----- 8.75	6.5	1	✓	✓	✓	✓	✓	
IMP215		A25	495	106	75.5 ----- 15.1	6.5 ----- 5.3	6.5	1	✓	✓	✓	✓	✓	
									A = Outside B = Inside		MF = Mill Finish SA = Silver Anodised KL = Basic Colour HP = Special Colour M = Dual Colour			

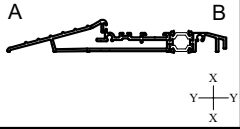
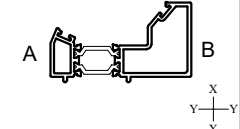
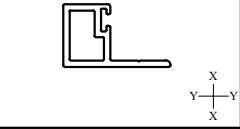
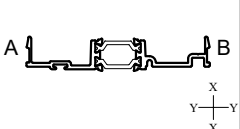
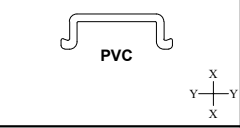
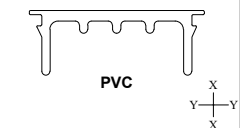
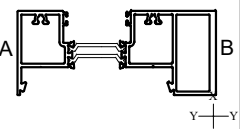
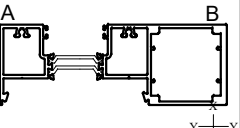
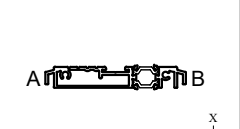
PROFILES : TECHNICAL INFORMATION

Number	Picture	Page	Perim. mm	Mec. mm	lx(cm4) wx(cm3)	ly(cm4) wy(cm3)	Length	Pack pr.	MF	SA	KL	HP	M
IMP216		A44	389	169	82.64 ----- 16.53	7.19 ----- 5.70	6.5	1	✓	✓	✓	✓	✓
IMP217		A21	453	123	85.03 ----- 14.67	12.29 ----- 5.04	6.5	1	✓	✓	✓	✓	✓
IMP219		A22	409	181	90.12 ----- 16.3	20.49 ----- 9.35	6.5	1	✓	✓	✓	✓	✓
IMP250		A23	598	198	154.8 ----- 27.5	154.8 ----- 28.5	6.5	1	✓	✓	✓	✓	✓
IMP255		A24	448	92	86.13 ----- 14.26	35.91 ----- 7.54	6.5	1	✓	✓	✓	✓	✓
IMP260		A44	115	29	- ----- -	- ----- -	6.5	1	✓	✓	✓	✓	
IMP261		A44	58	22	- ----- -	- ----- -	6.5	1	✓	✓	✓	✓	
IMP262		A44	123	68	- ----- -	- ----- -	6.5	1	✓	✓	✓	✓	
IMP263		A45	338	158	52.88 ----- 9.77	1.29 ----- 1.57	6.5	1		✓			

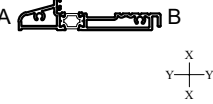
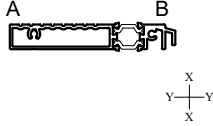
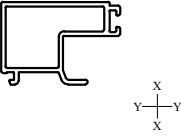
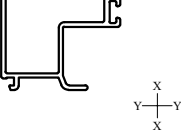
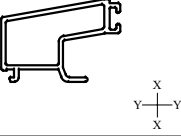
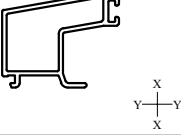
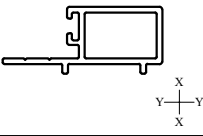
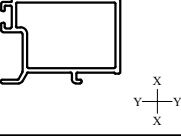
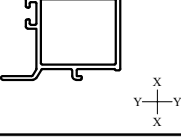
A = Outside
B = Inside

MF = Mill Finish
SA = Silver Anodised
KL = Basic Colour
HP = Special Colour
M = Dual Colour

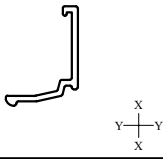
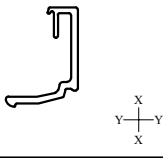
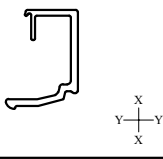
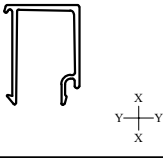
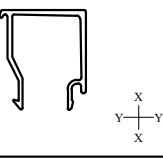
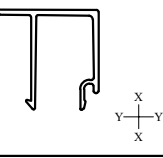
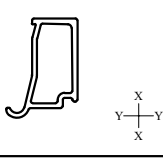
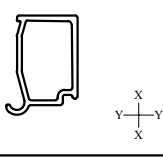
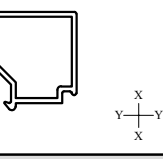
PROFILES : TECHNICAL INFORMATION

Number	Picture	Page	Perim. mm	Mec. mm	lx(cm4) wx(cm3)	ly(cm4) wy(cm3)	Length	Pack pr.	MF	SA	KL	HP	M	
IMP264		A45	491	103	149.1 ----- 16.2	2.56 ----- 2.67	6.5	1		✓				
IMP265		A46	304	83	75.5 ----- 15.1	6.5 ----- 5.3	6.5	1	✓	✓	✓	✓	✓	
IMP266		A44	98.6	40.7	- ----- -	- ----- -	6.5	1	✓	✓	✓	✓		
IMP269		A46	340	101	27.49 ----- 5.57	0.66 ----- 1.02	6.5	1	✓	✓	✓	✓	✓	
IMP300		A30	-	-	- ----- -	- ----- -	6.5	1	✓					
IMP301		A19	-	-	- ----- -	- ----- -	6.5	1	✓					
IMP310		A20	484	218	216.5 ----- 37.4	30.3 ----- 19.4	6.5	1	✓	✓	✓	✓	✓	
IMP410		A20	534	268	341.4 ----- 58.9	42.0 ----- 26.9	6.5	1	✓	✓	✓	✓	✓	
IMP411		A37	354	129	46.19 ----- 9.31	1.18 ----- 1.54	6.5	1	✓	✓				
									A = Outside B = Inside		MF = Mill Finish SA = Silver Anodised KL = Basic Colour HP = Special Colour M = Dual Colour			

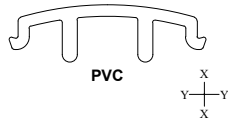
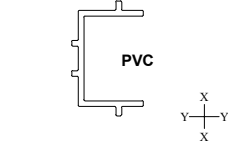
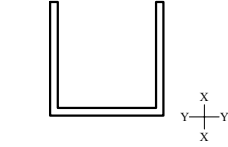
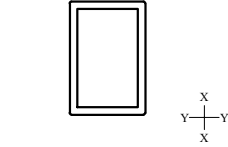
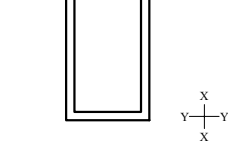
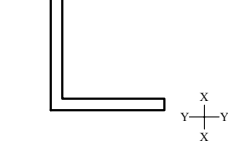
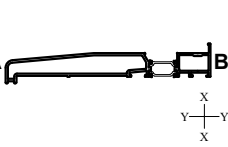
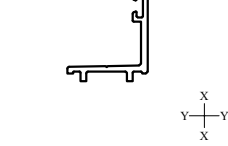

PROFILES : TECHNICAL INFORMATION

Number	Picture	Page	Perim. mm	Mec. mm	Ix(cm4) wx(cm3)	Iy(cm4) wy(cm3)	Length	Pack pr.	MF	SA	KL	HP	M	
IMP412		A38	302	122	44.79 ----- 8.80	1.31 ----- 1.81	6.5	1		✓				
IMP415		A40	282	160	45.23 ----- 8.96	1.3 ----- 1.74	6.5	1		✓				
IMP613		A41	135	53	- ----- -	- ----- -	6.5	1	✓	✓	✓	✓		
IMP614		A41	142	58	- ----- -	- ----- -	6.5	1	✓	✓	✓	✓		
IMP615		A41	128	47	- ----- -	- ----- -	6.5	1	✓	✓	✓	✓		
IMP616		A41	136	51	- ----- -	- ----- -	6.5	1	✓	✓	✓	✓		
IMP620		A27	111	32	- ----- -	- ----- -	6.5	1	✓	✓	✓	✓		
IMP622		A25	134	53	- ----- -	- ----- -	6.5	1	✓	✓	✓	✓		
IMP623		A25	127	51	- ----- -	- ----- -	6.5	1	✓	✓	✓	✓		
									A = Outside B = Inside		MF = Mill Finish SA = Silver Anodised KL = Basic Colour HP = Special Colour M = Dual Colour			

PROFILES : TECHNICAL INFORMATION

Number	Picture	Page	Perim. mm	Mec. mm	Ix(cm4) wx(cm3)	Iy(cm4) wy(cm3)	Length	Pack pr.	MF	SA	KL	HP	M	
GL004		A42	92	29	- ----- -	- ----- -	6.5	1	✓	✓	✓	✓		
GL008		A42	109	30	- ----- -	- ----- -	6.5	1	✓	✓	✓	✓		
GL014		A42	121	36	- ----- -	- ----- -	6.5	1	✓	✓	✓	✓		
GL020		A42	153	44	- ----- -	- ----- -	6.5	1	✓	✓	✓	✓		
GL023		A42	160	48	- ----- -	- ----- -	6.5	1	✓	✓	✓	✓		
GL030		A42	188	52	- ----- -	- ----- -	6.5	1	✓	✓	✓	✓		
GL1212		A42	88	36	- ----- -	- ----- -	6.5	1	✓	✓	✓	✓		
GL1216		A42	92	39	- ----- -	- ----- -	6.5	1	✓	✓	✓	✓		
GL526		A42	111	48	- ----- -	- ----- -	6.5	1	✓	✓	✓	✓		
									A = Outside B = Inside		MF = Mill Finish SA = Silver Anodised KL = Basic Colour HP = Special Colour M = Dual Colour			

PROFILES : TECHNICAL INFORMATION

Number	Picture	Page	Perim. mm	Mec. mm	lx(cm4) wx(cm3)	ly(cm4) wy(cm3)	Length	Pack pr.	MF	SA	KL	HP	M	
PCX40		A28	85	25	- ----- -	- ----- -	6.5	1	✓					
PCX46		A30	98	17	- ----- -	- ----- -	6.5	1	✓					
UTL032		A43	176	176	- ----- -	- ----- -	6	1	✓	✓	✓	✓		
UTL072		A43	100	100	- ----- -	- ----- -	6	1	✓	✓	✓	✓		
UTL076		A43	156	156	- ----- -	- ----- -	6	1	✓	✓	✓	✓		
UTL039		A43	60	60	- ----- -	- ----- -	6	1	✓	✓	✓	✓		
UN3040		A47	580	351.1	535.26 ----- 49.24	10.98 ----- 5.81	6.5	1	✓	✓	✓	✓	✓	
VG12		A41	110	29	- ----- -	- ----- -	6.5	1	✓	✓	✓	✓		
VL72		A41	101	54	- ----- -	- ----- -	6.5	1	✓	✓	✓	✓		
									A = Outside B = Inside		MF = Mill Finish SA = Silver Anodised KL = Basic Colour HP = Special Colour M = Dual Colour			

PROFILES : TECHNICAL INFORMATION

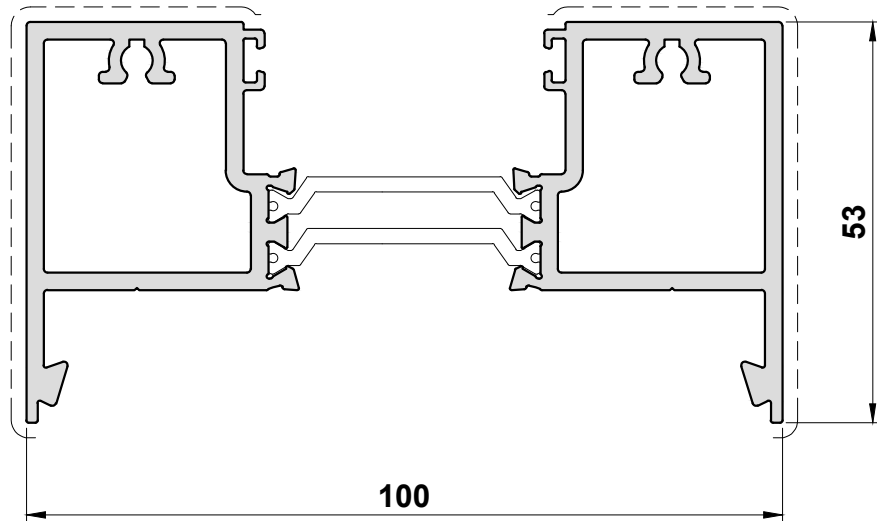
Number	Picture	Page	Perim. mm	Mec. mm	Ix(cm4) wx(cm3)	Iy(cm4) wy(cm3)	Length	Pack pr.	MF	SA	KL	HP	M

A = Outside	MF = Mill Finish
B = Inside	SA = Silver Anodised
	KL = Basic Colour
	HP = Special Colour
	M = Dual Colour

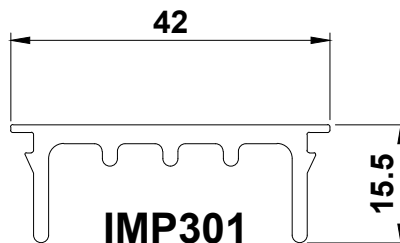
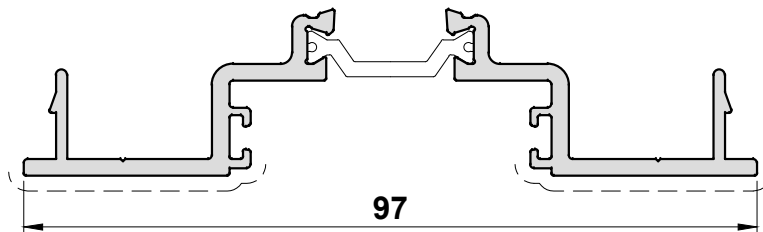
Primary Visible Side

Secondary Visible Side

IMP210
Shuffle Glazed Jamb



IMP016
Shallow Pocket Closure



IMP301
Infill Strip
PVC

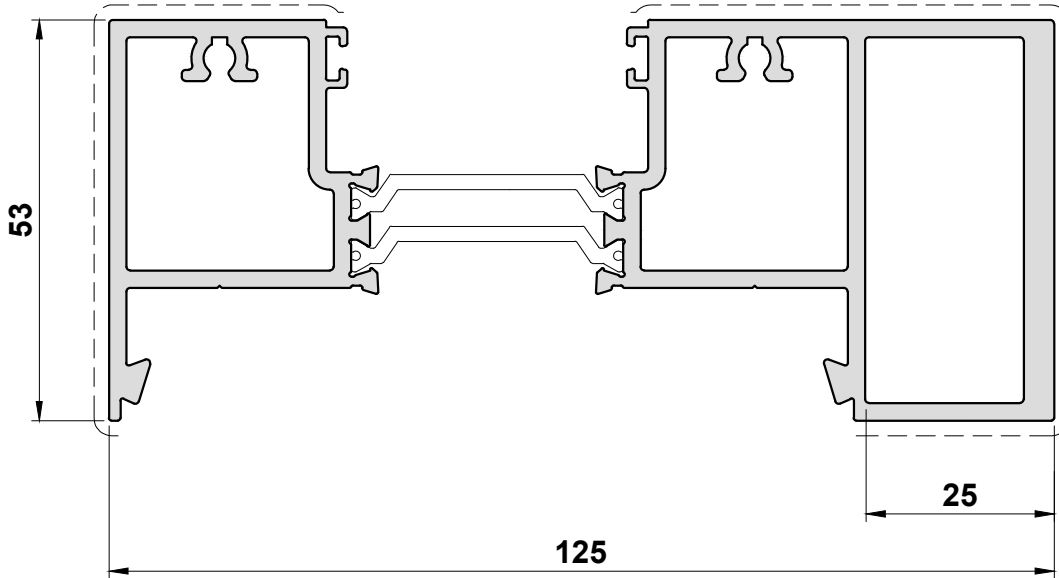
Scale 1:1

Primary Visible Side

Secondary Visible Side

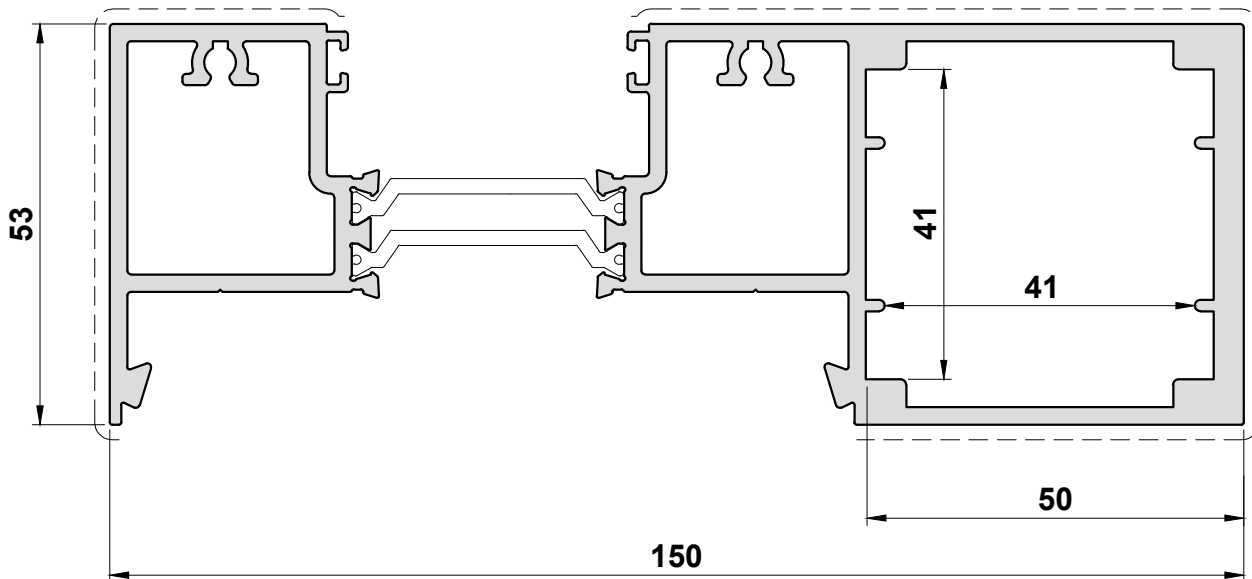
IMP310

125mm Pocket Glazing Mullion



IMP410

150mm Pocket Glazing Mullion

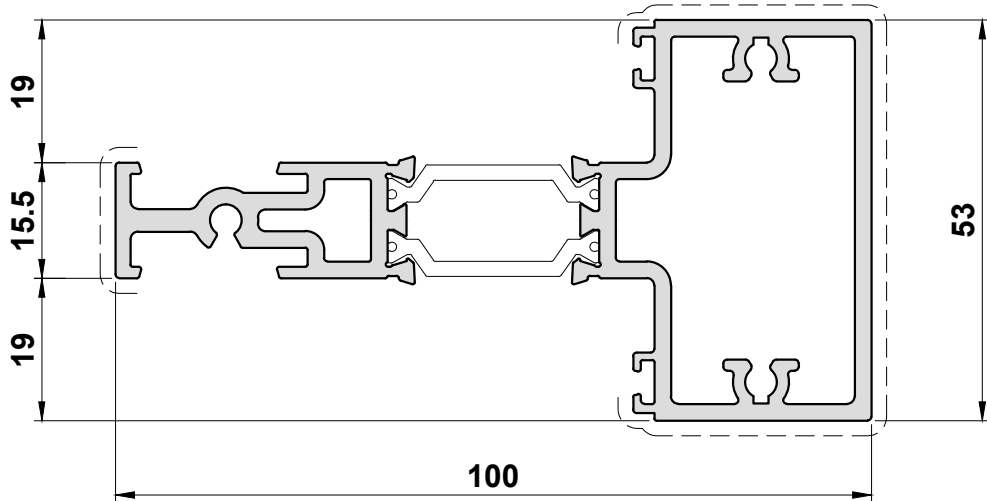


Scale 1:1

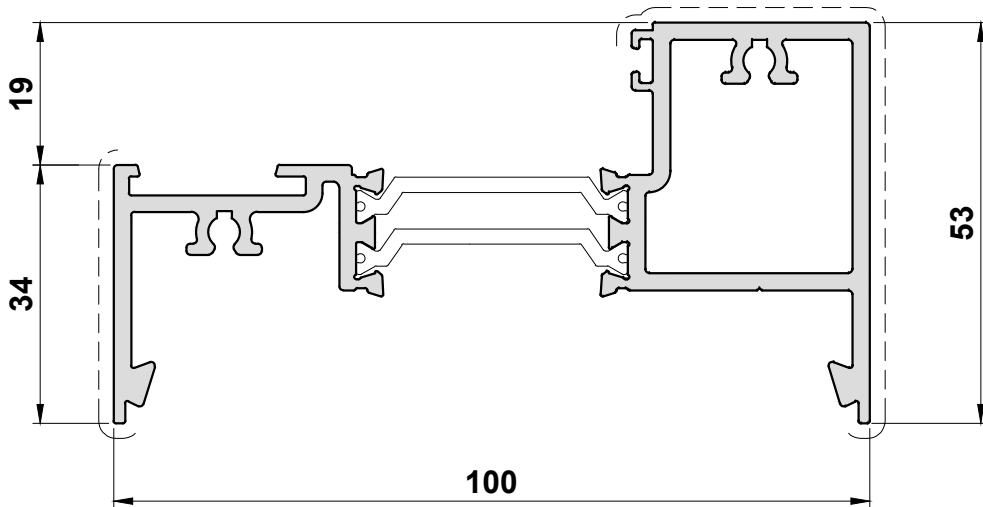
Primary Visible Side

Secondary Visible Side

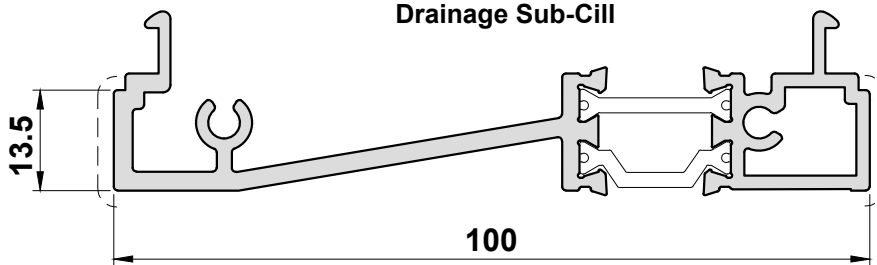
IMP030
Beaded Screen Transom



IMP217
Bead/Pocket Glazed Transom



IMP056
Drainage Sub-Cill

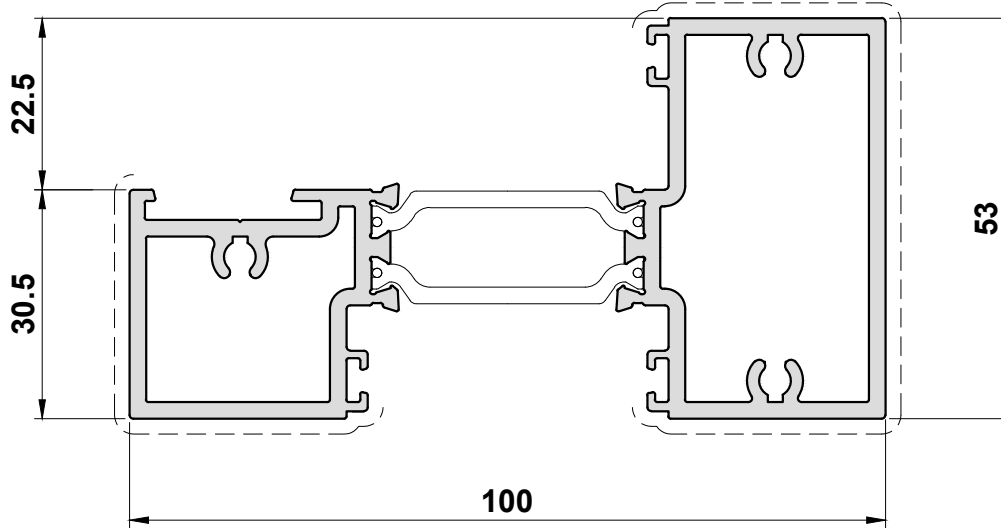


Scale 1:1

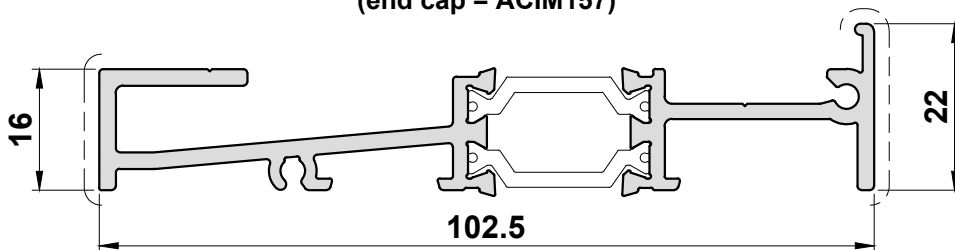
Primary Visible Side

Secondary Visible Side

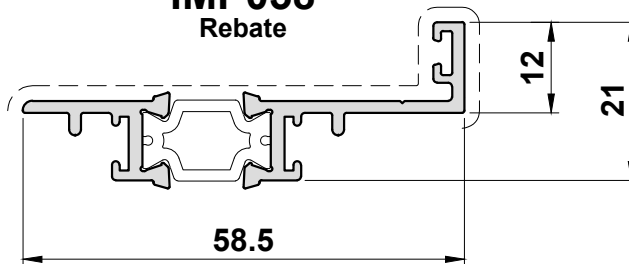
IMP219
Bead/Pocket Glazed Transom



IMP057
Flush Sub-Cill
(end cap = ACIM157)



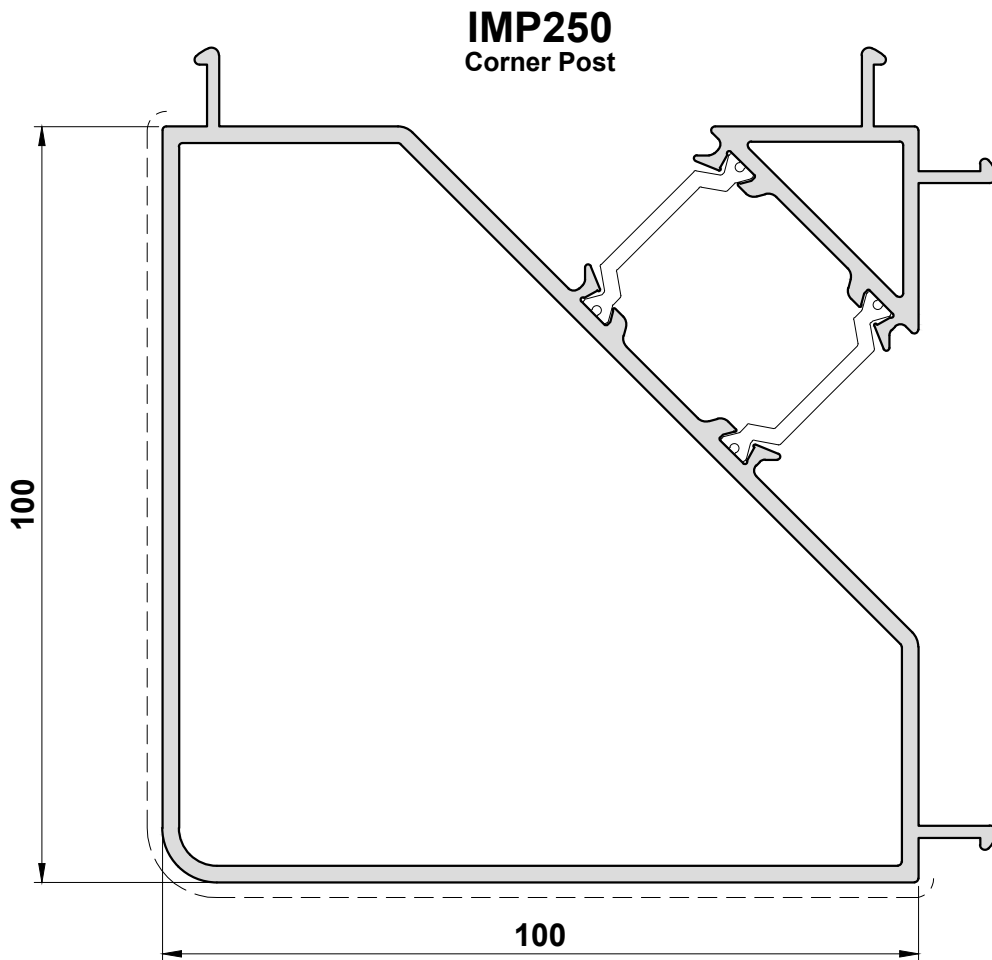
IMP058
Rebate



Scale 1:1

Primary Visible Side

Secondary Visible Side

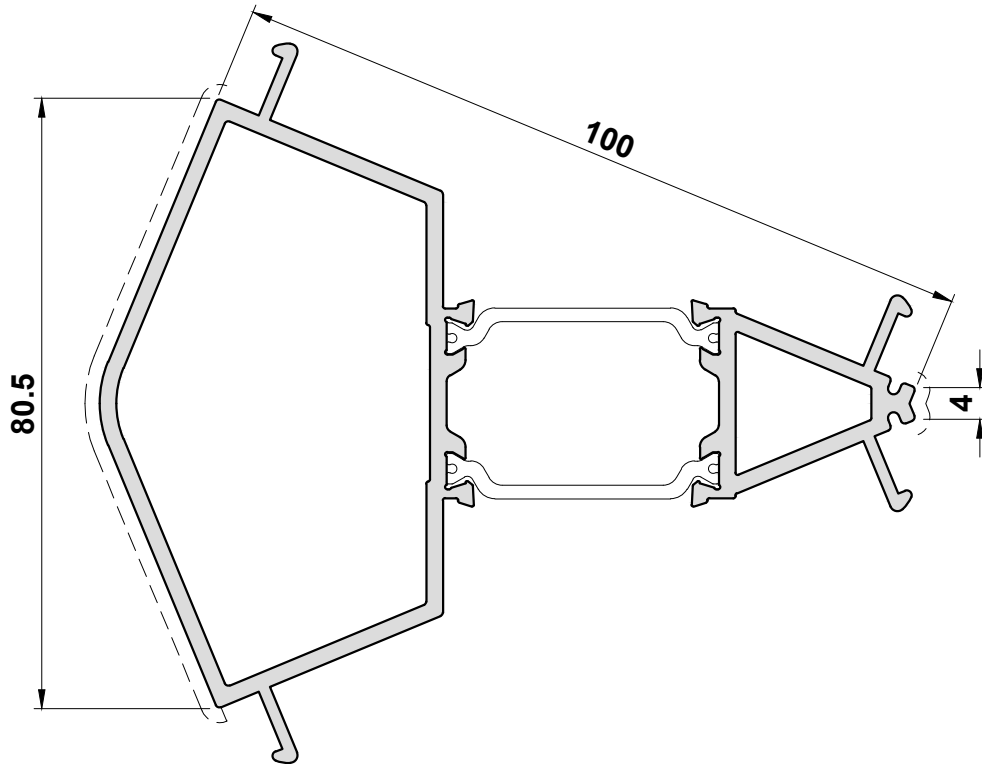


Scale 1:1

Primary Visible Side

Secondary Visible Side

IMP255 135° Corner Post

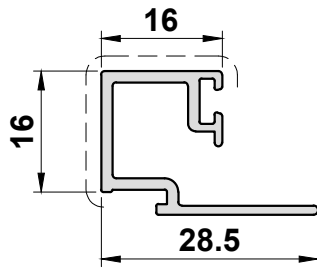


Scale 1:1

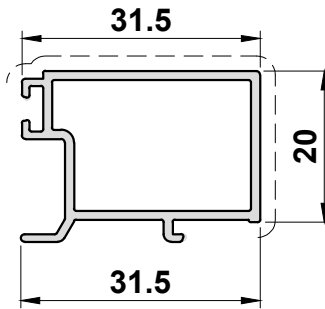
Primary Visible Side

Secondary Visible Side

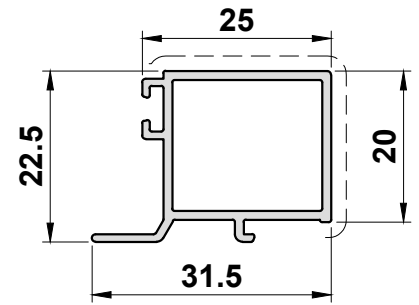
IMP014
Screw on Rebated Leg



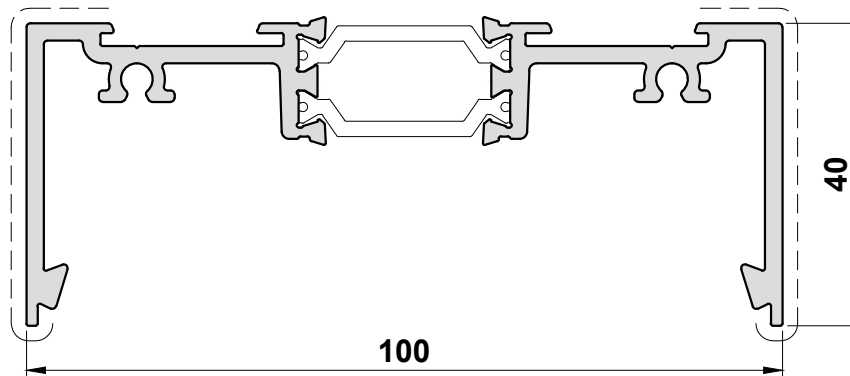
IMP622
28mm Bead for IMP215



IMP623
42mm Glazing Bead for IMP215 & IMP213

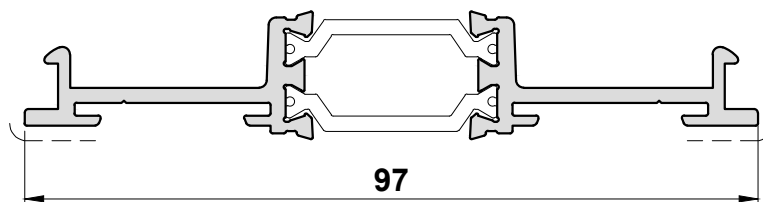


IMP215
Open Back Double Beaded Mullion



51mm units?

IMP013
Double Beaded Pocket Closure

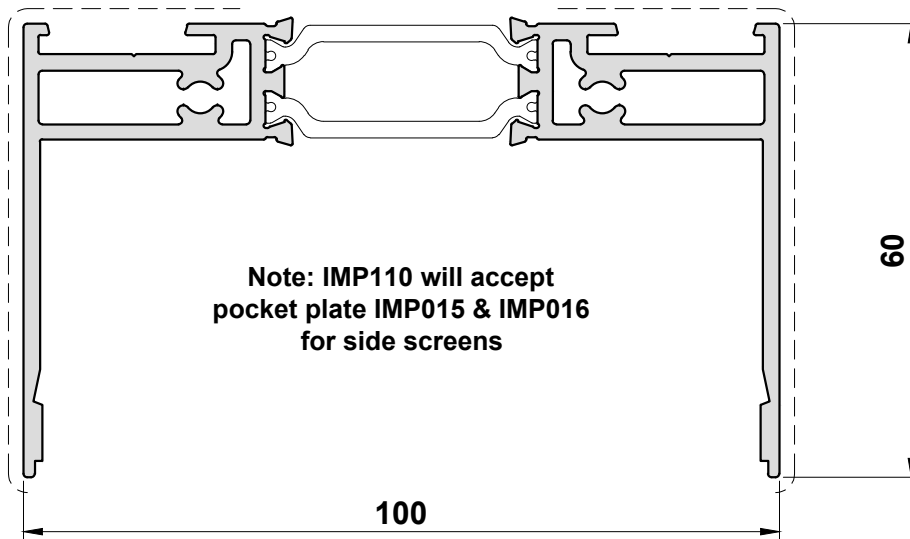


Scale 1:1

Primary Visible Side

Secondary Visible Side

IMP110
Overhead Transom with Screwports

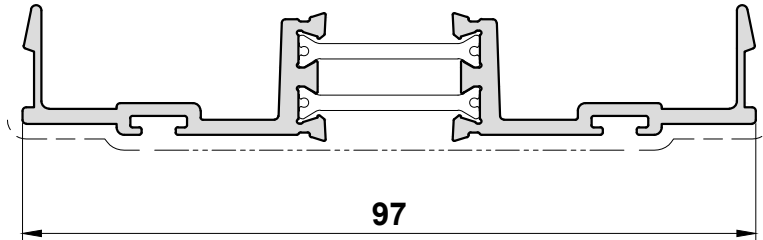


Scale 1:1

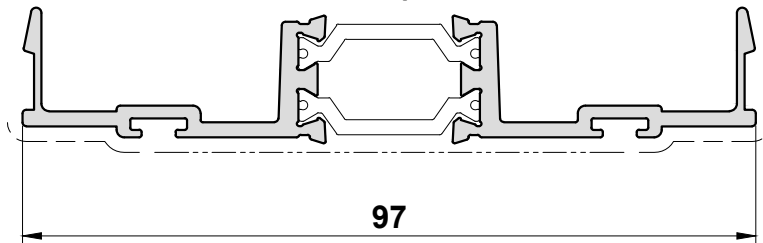
Primary Visible Side

Secondary Visible Side

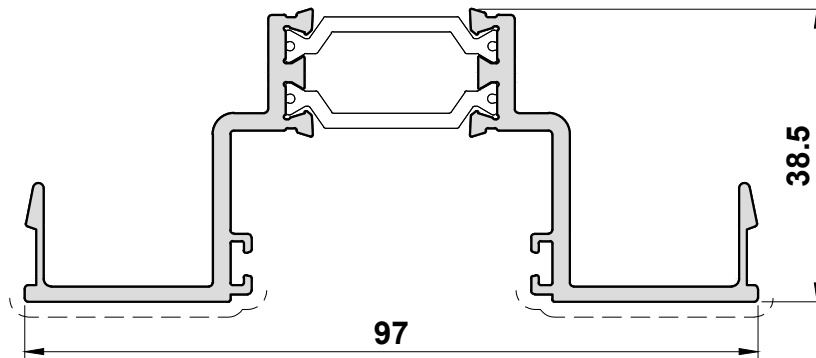
IMP011
Overhead Closure Box



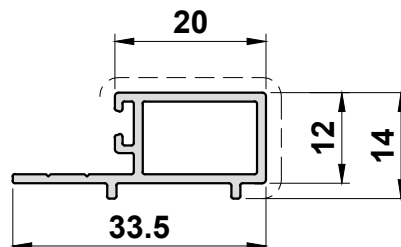
IMP019
Overhead Closure Box
for use with panic bars



IMP015
Pocket Glazing Clip Plate



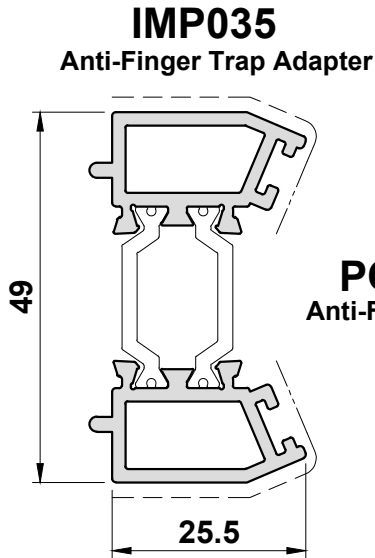
IMP620
Rebate Bead



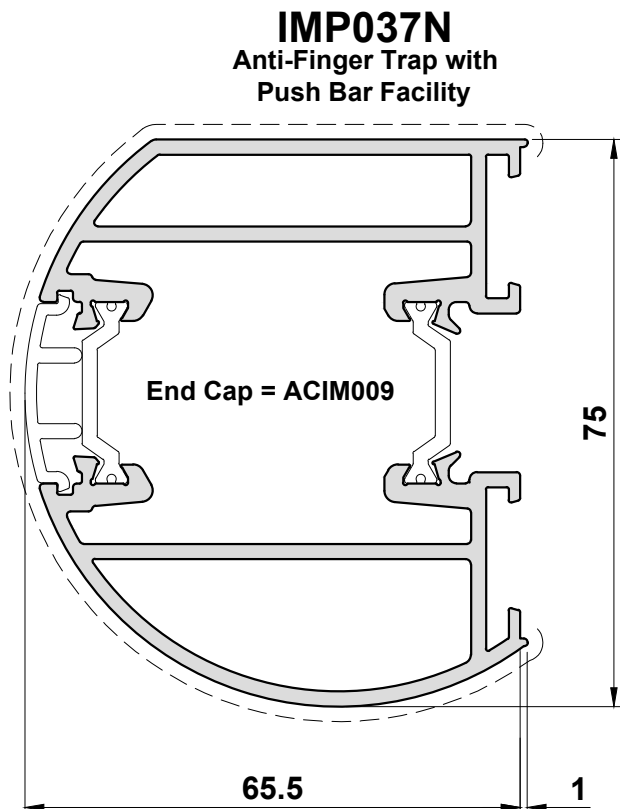
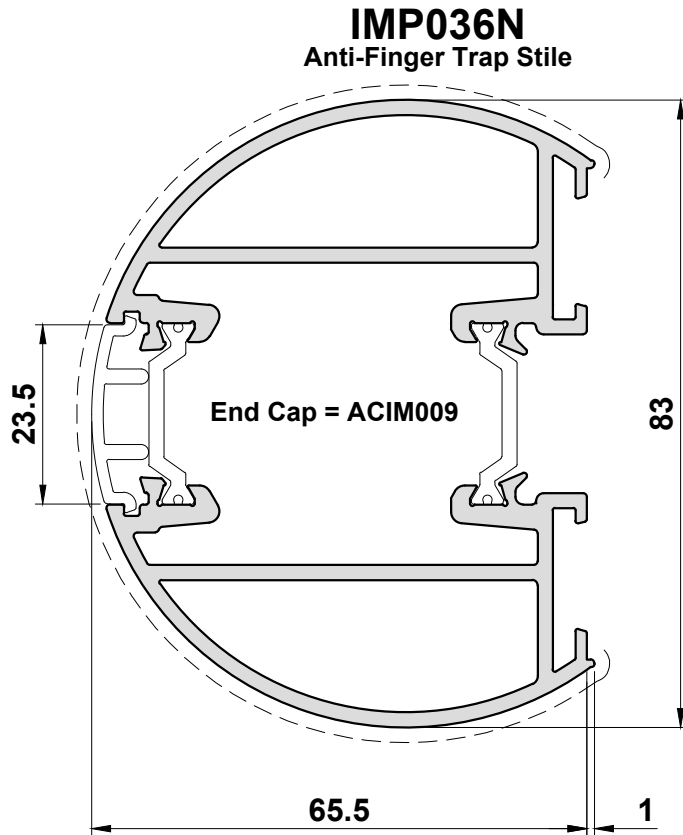
Scale 1:1

Primary Visible Side

Secondary Visible Side



PCX40
Anti-Finger Infill

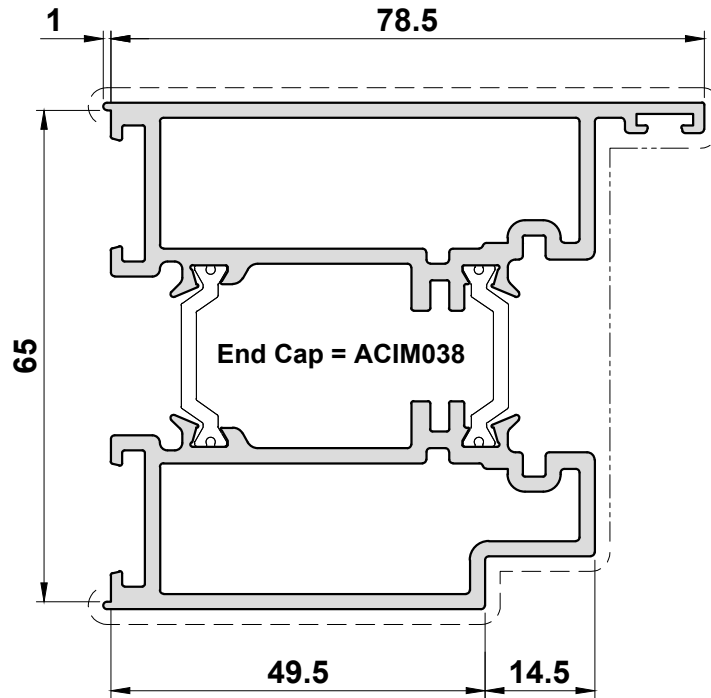


Scale 1:1

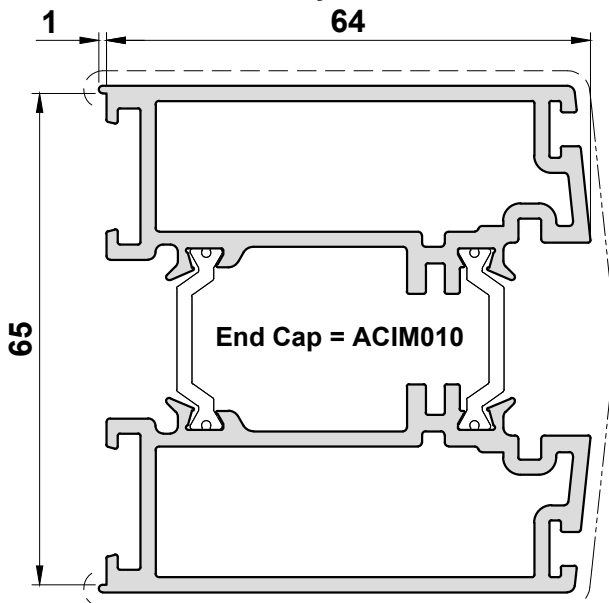
Primary Visible Side

Secondary Visible Side

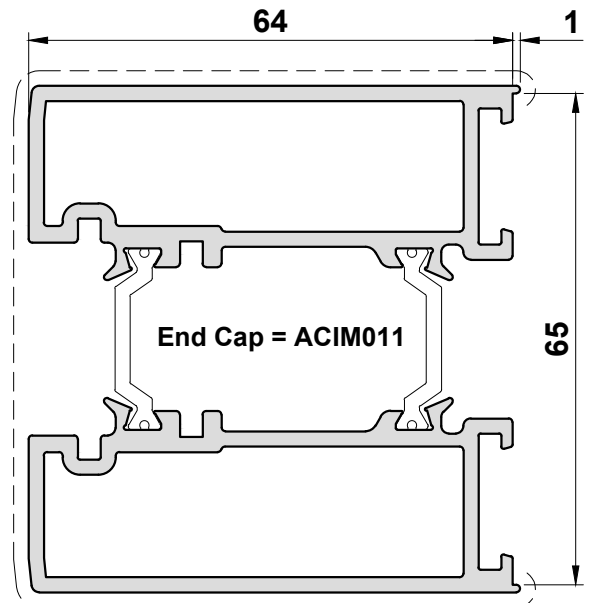
IMP038 Rebated Lock Stile



IMP039 Primary Lock Stile



IMP040 Secondary Door Stile

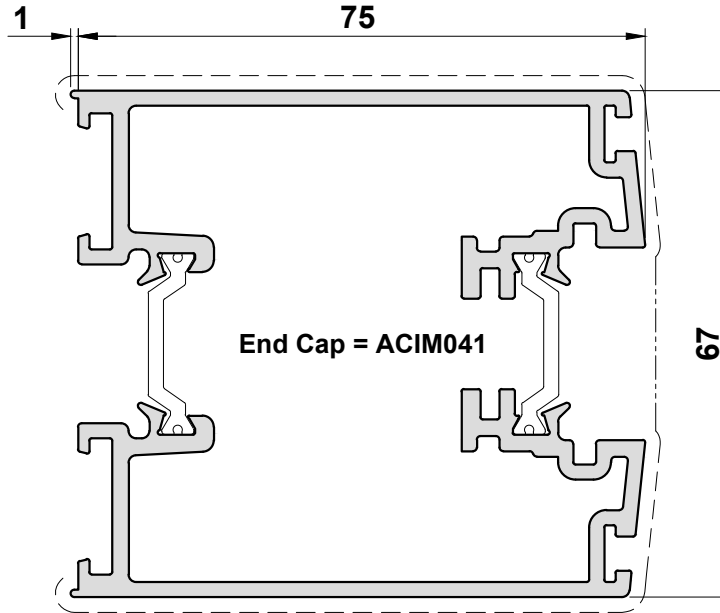


Scale 1:1

Primary Visible Side

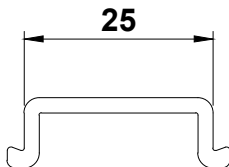
Secondary Visible Side

IMP041
Stile for Concealed Panic Hardware



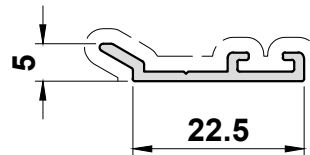
IMP300

Infill Strip PVC



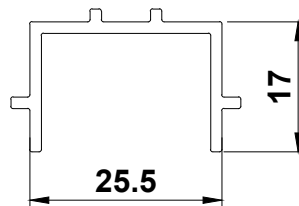
IMP114

Auto Door Interlock



PCX46

PVC Lock Carrier



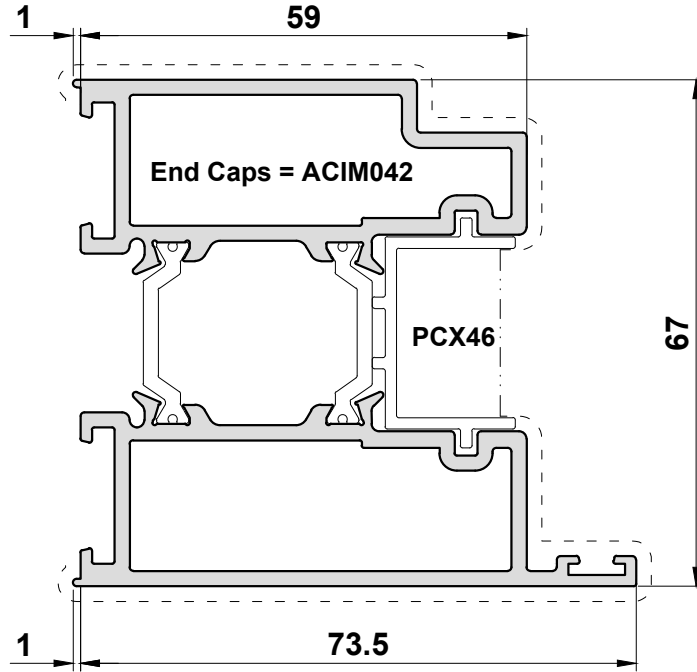
Scale 1:1

Primary Visible Side

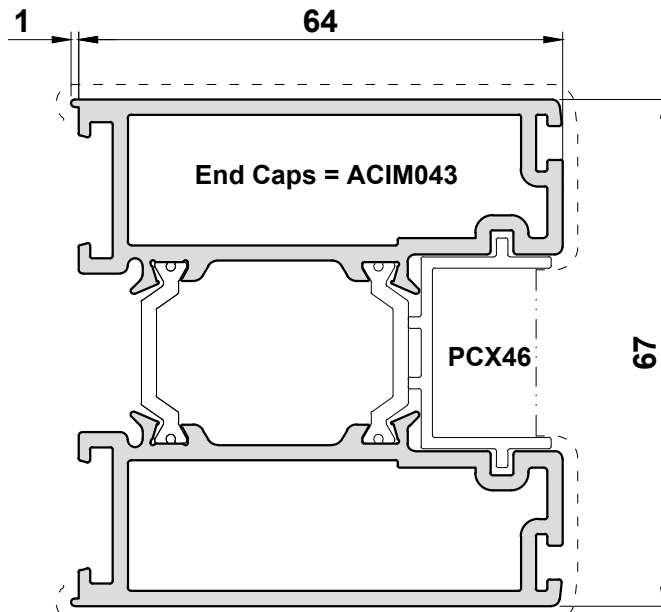
Secondary Visible Side

IMP042

Flush Rebated Meeting Stile for BT Lock



Meeting Stile for BT Lock

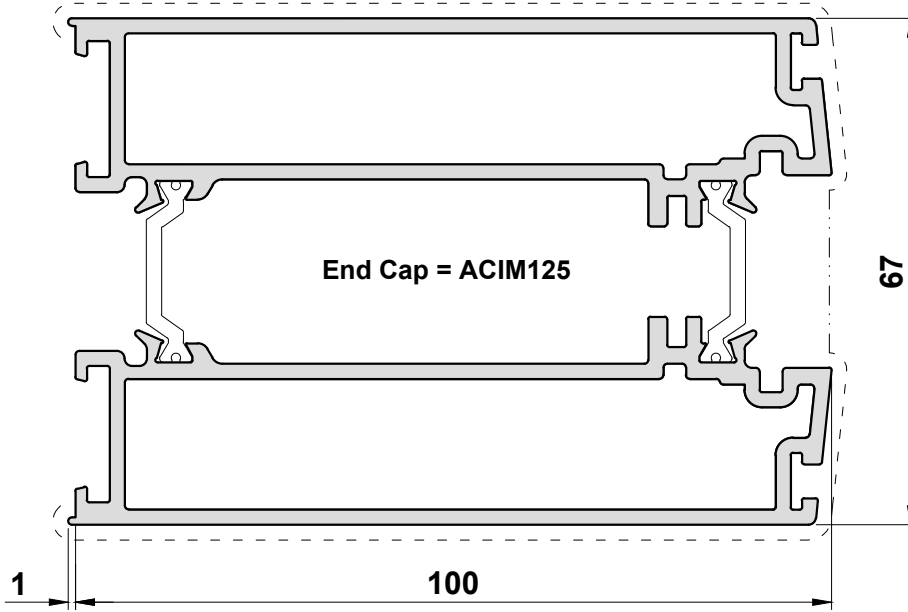


Scale 1:1

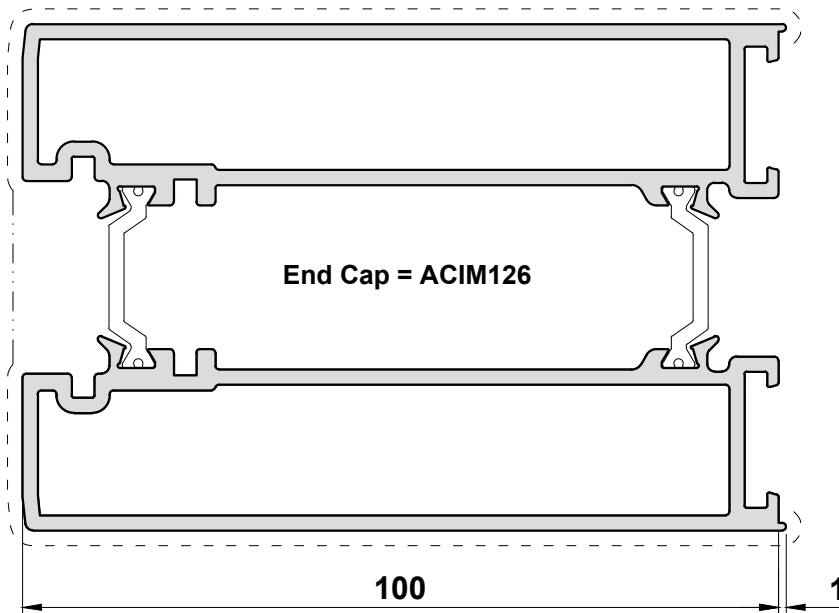
Primary Visible Side

Secondary Visible Side

IMP025
Wide Primary Door Stile



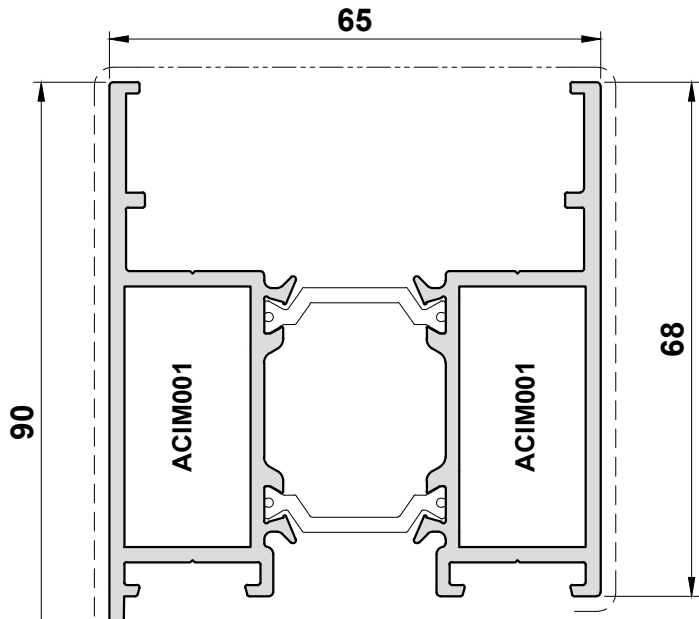
IMP026
Wide Secondary Door Stile



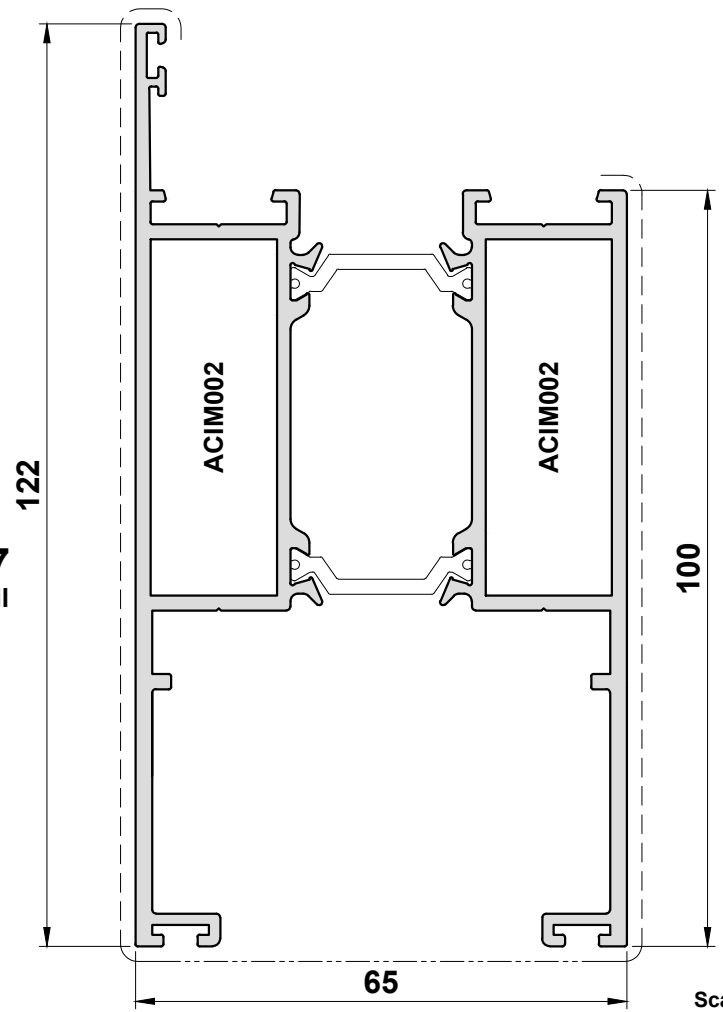
Scale 1:1

Primary Visible Side

Secondary Visible Side



IMP120
Top Rail

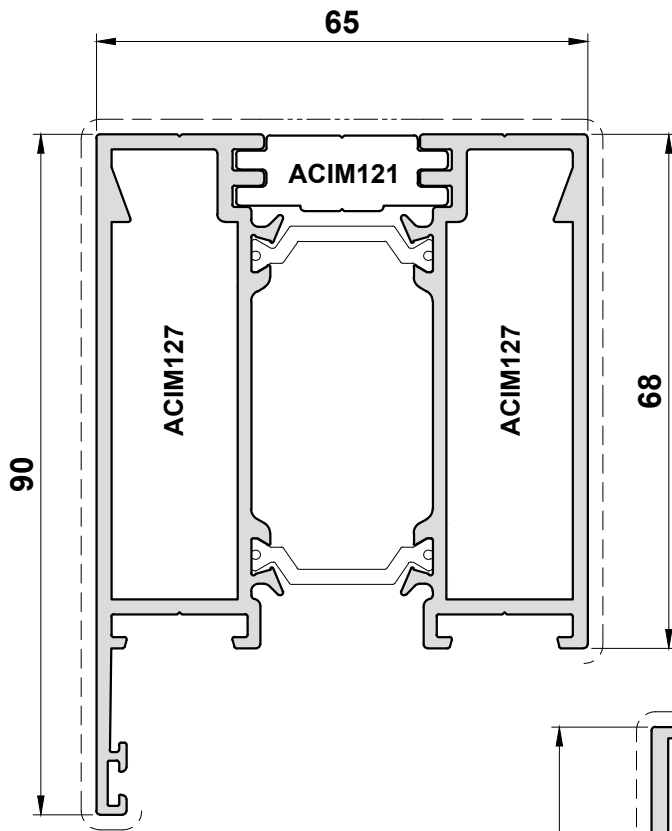


IMP027
Bottom Rail

Scale 1:1

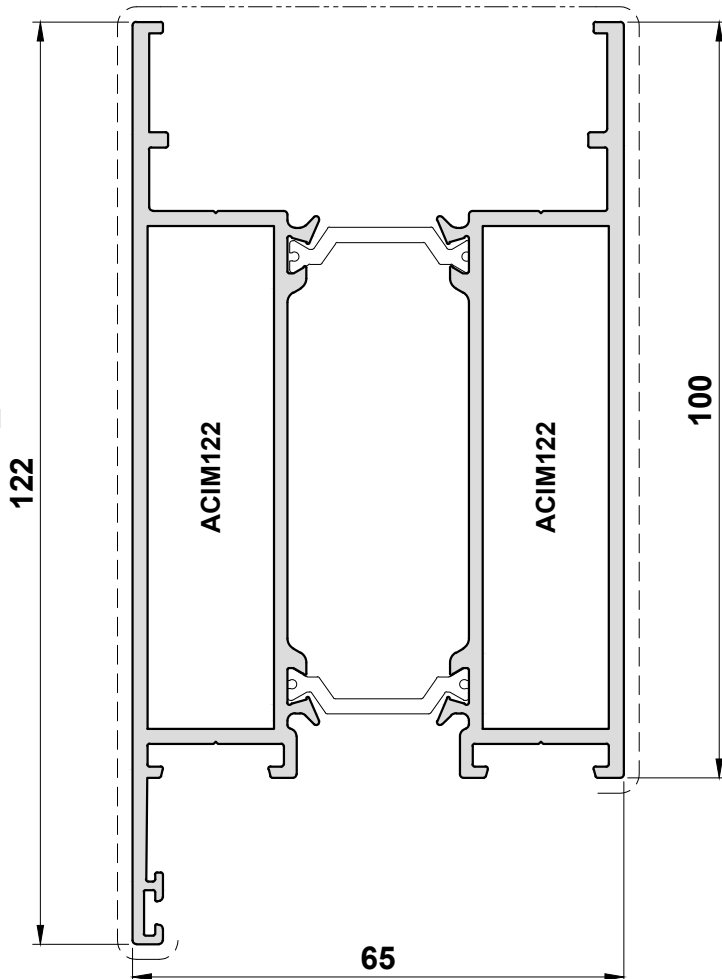
Primary Visible Side

Secondary Visible Side



IMP121
Auto-Sliding Door Top Rail

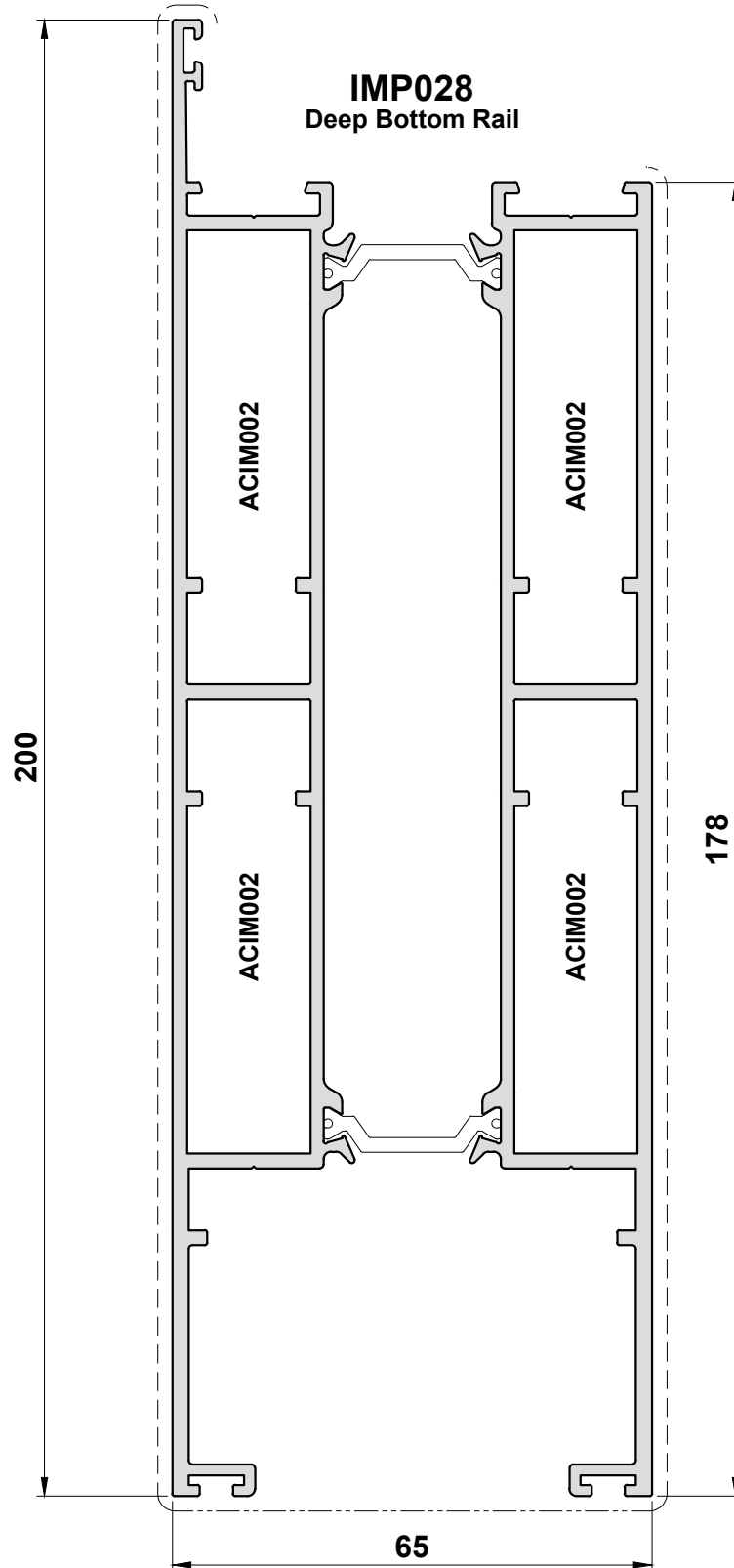
IMP122
Deep Top Rail



Scale 1:1

Primary Visible Side

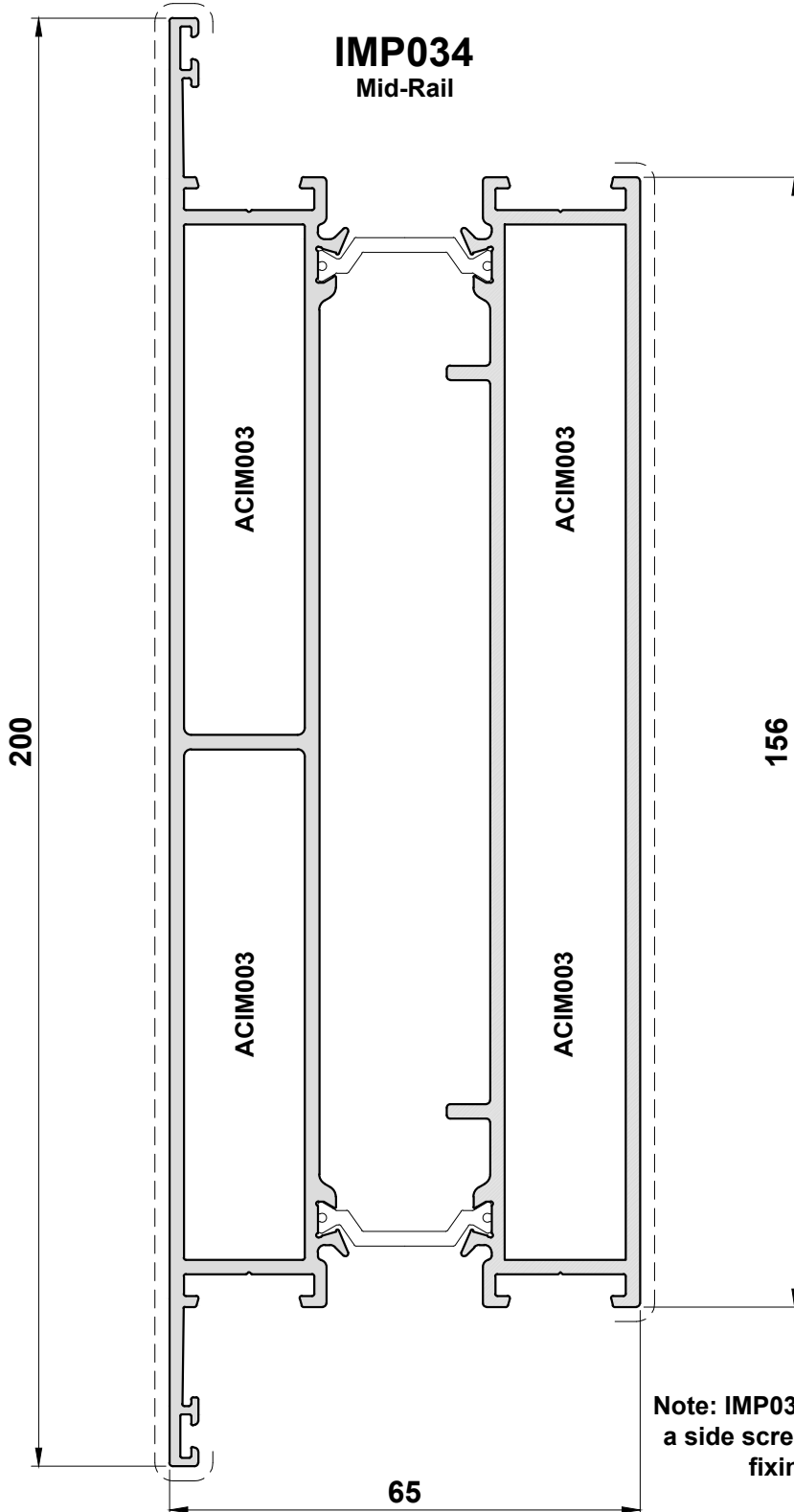
Secondary Visible Side



Scale 1:1

Primary Visible Side

Secondary Visible Side

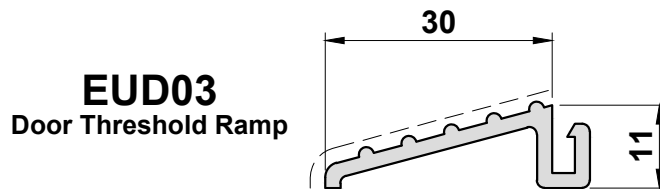
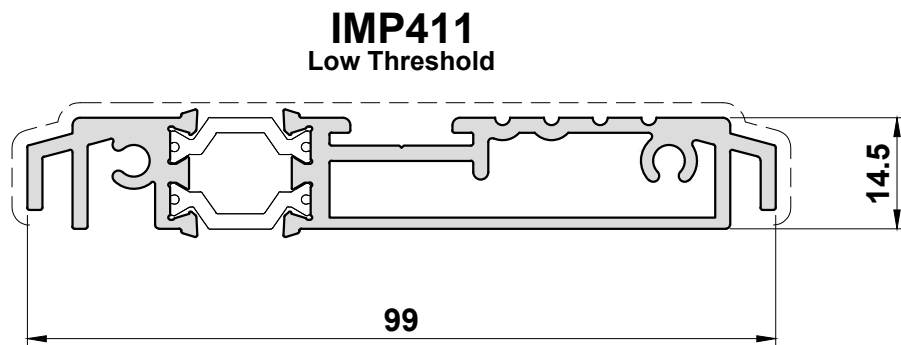
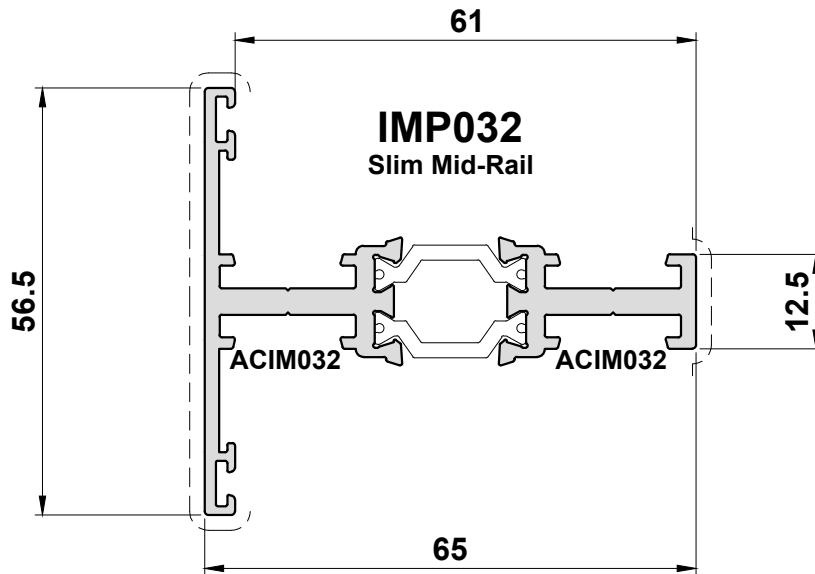


Note: IMP034 can be fitted into a side screen using ACIM025 fixing brackets

Scale 1:1

Primary Visible Side

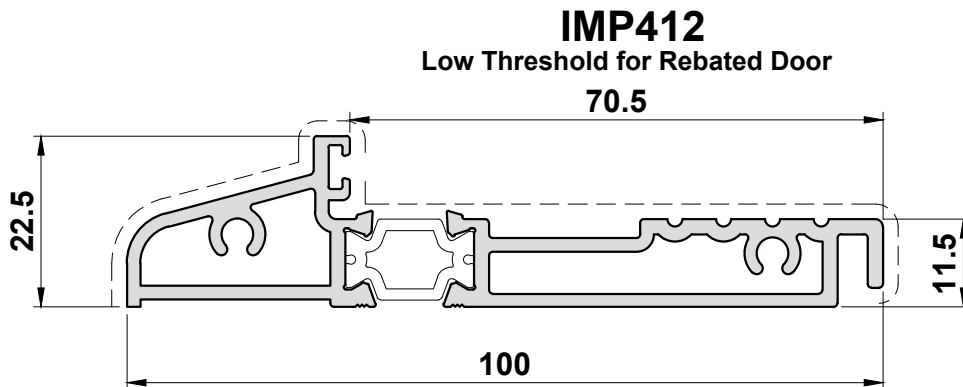
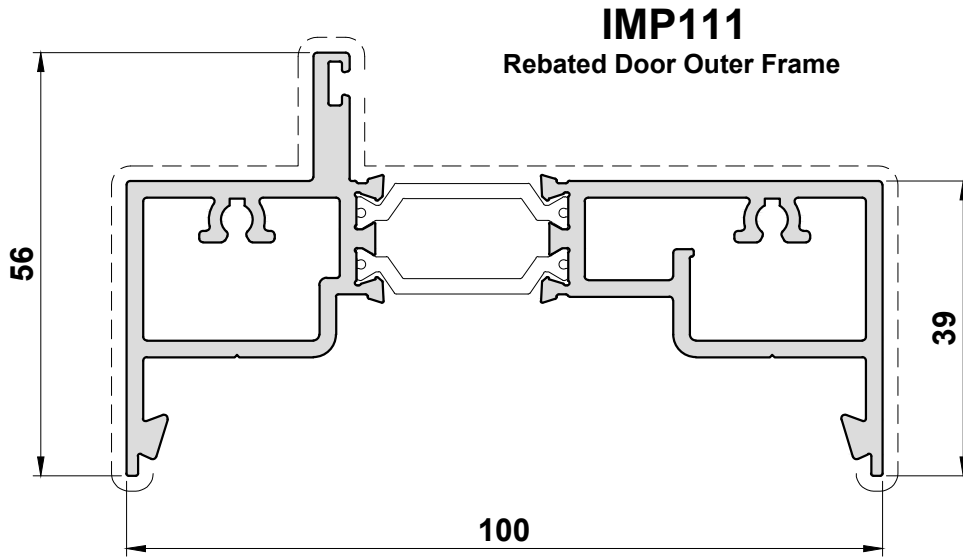
Secondary Visible Side



Scale 1:1

Primary Visible Side

Secondary Visible Side

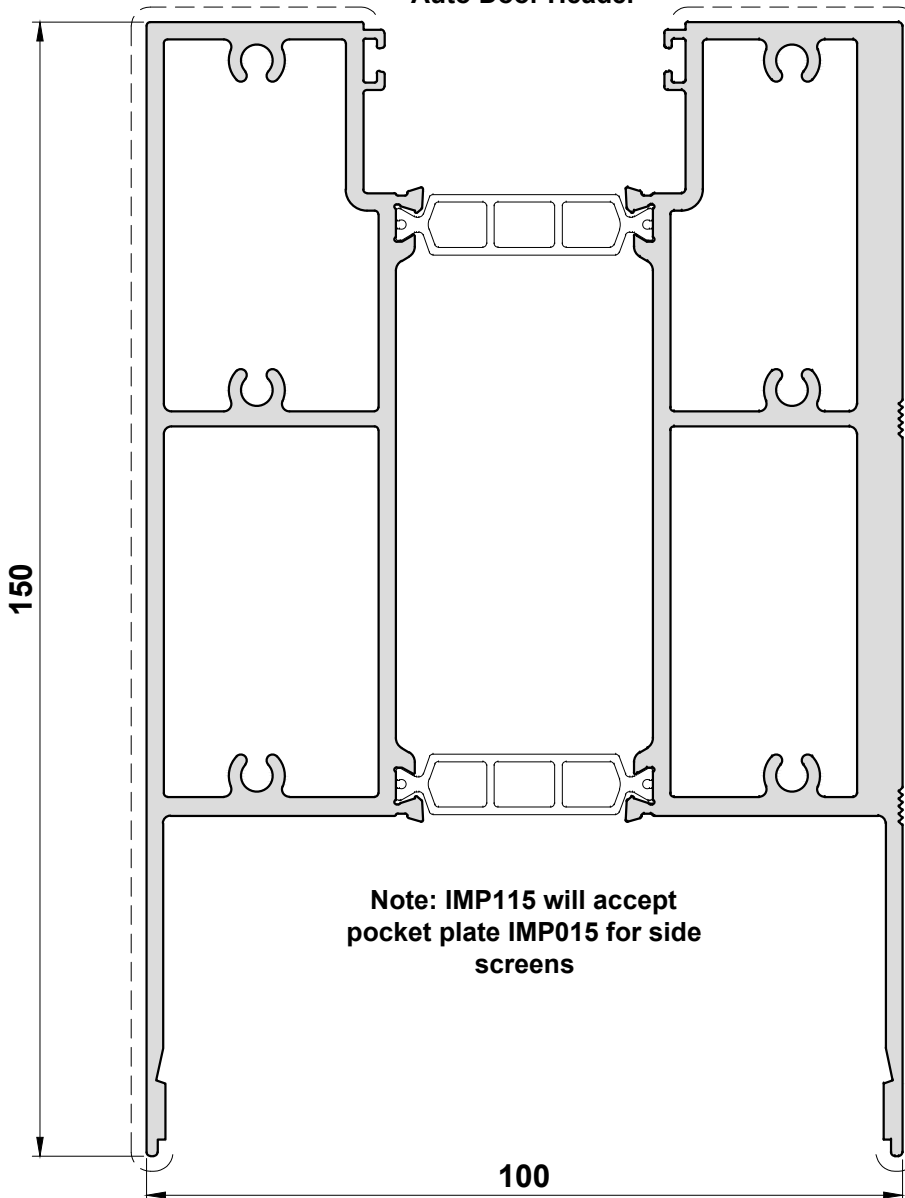


Scale 1:1

Primary Visible Side

Secondary Visible Side

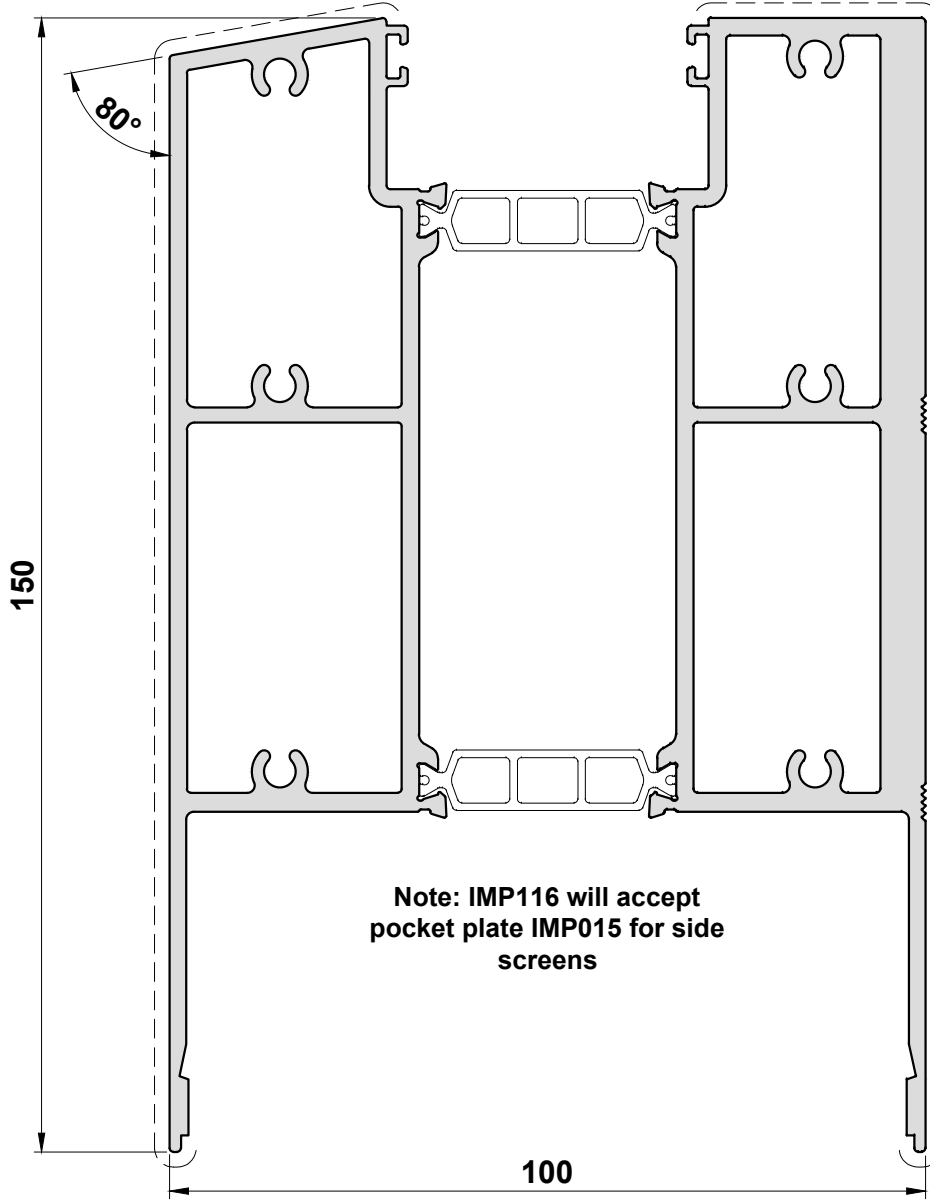
IMP115 Auto Door Header



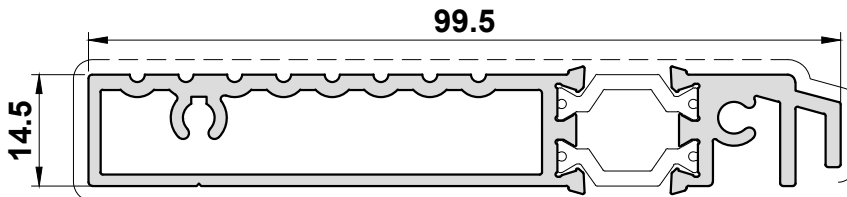
Primary Visible Side

Secondary Visible Side

IMP116
Auto Door Header



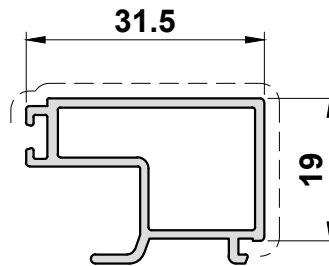
IMP415
Square Back Threshold for Autoslide



Scale 1:1

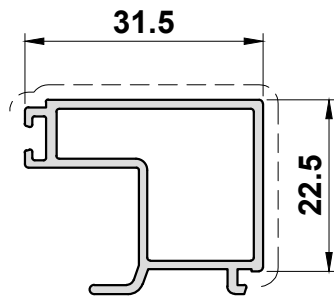
Primary Visible Side

Secondary Visible Side



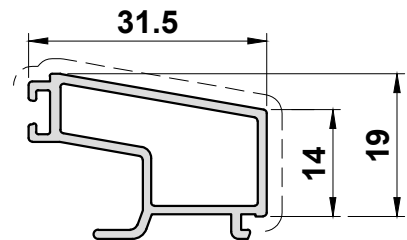
IMP613

28mm Glazing Bead for IMP030 & IMP217



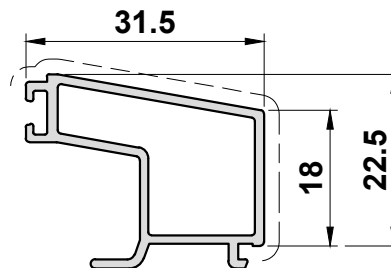
IMP614

28mm Glazing Bead for IMP219



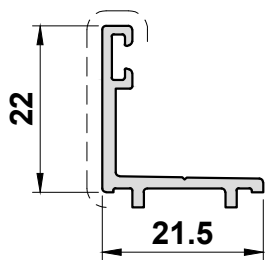
IMP615

28mm Glazing Sloped Bead for IMP030 & IMP217



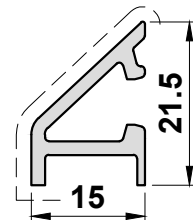
IMP616

28mm Glazing Sloped Bead for IMP219



VG12

External Door Bead



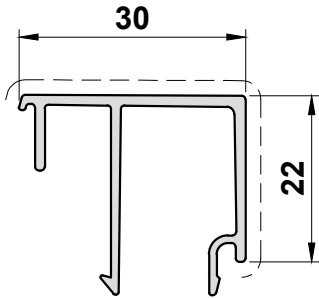
VL72

Weather Drip
End Caps = ACVL059
Fixing Rivet = ACVL061

Scale 1:1

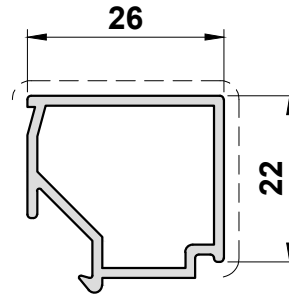
Primary Visible Side

Secondary Visible Side



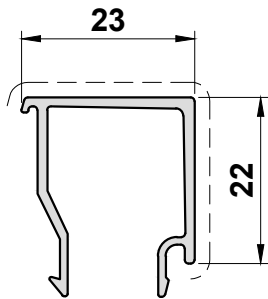
GL030

23-25mm Glazing Bead



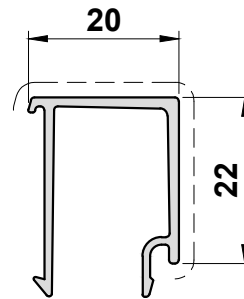
GL526

26-29mm PAS24 Glazing Bead



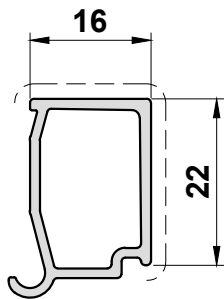
GL023

30-32mm Glazing Bead



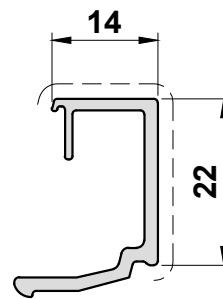
GL020

33-35mm Glazing Bead



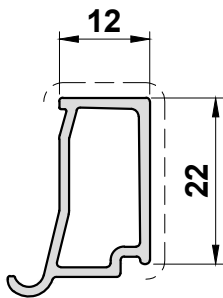
GL1216

36-38mm Glazing Bead



GL014

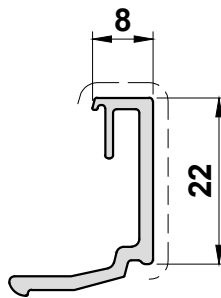
39-41mm Glazing Bead



GL1212

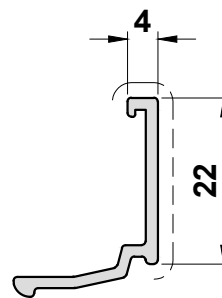
42-43mm Glazing Bead

Scale 1:1



GL008

44-47mm Glazing Bead

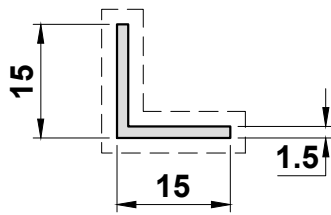


GL004

48-51mm Glazing Bead

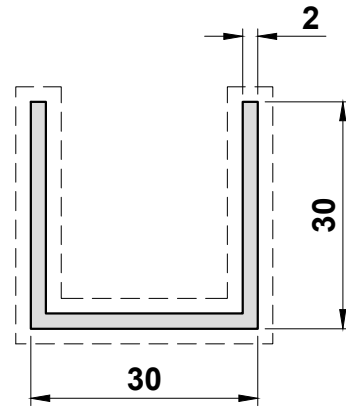
Primary Visible Side

Secondary Visible Side



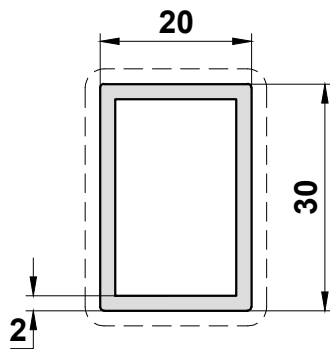
UTL039

Glass Reinforcing



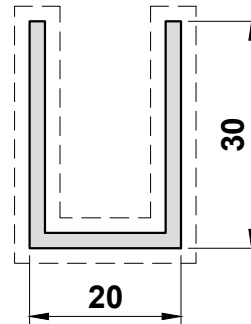
UTL032

Autoslide Guide



UTL072

Reinforcing Section



UTL076

Autoslide Guide

Scale 1:1

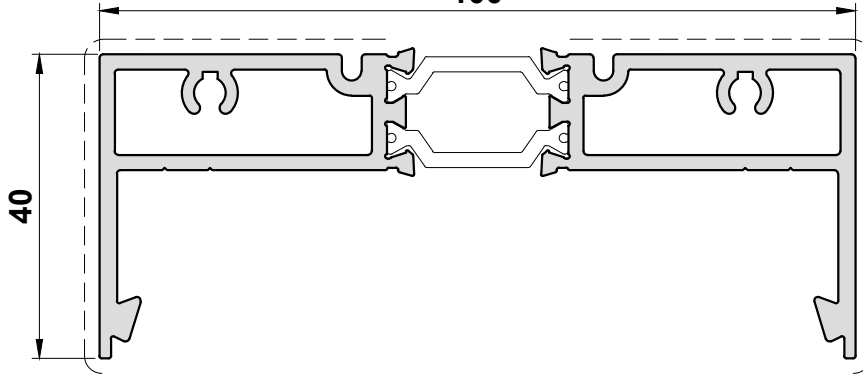
Primary Visible Side

Secondary Visible Side

IMP216

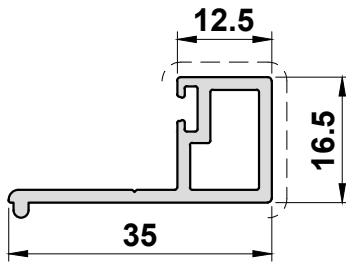
Jamb for Rebated Door

100



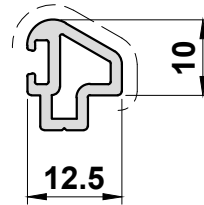
IMP260

Jamb Rebate



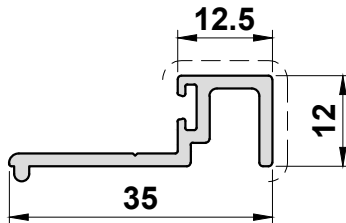
IMP261

Threshold Rebate



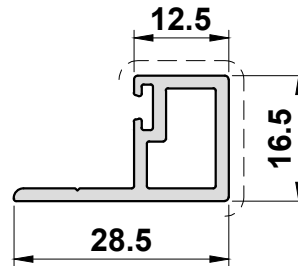
IMP262

Head Rebate



IMP266

Jamb Rebate

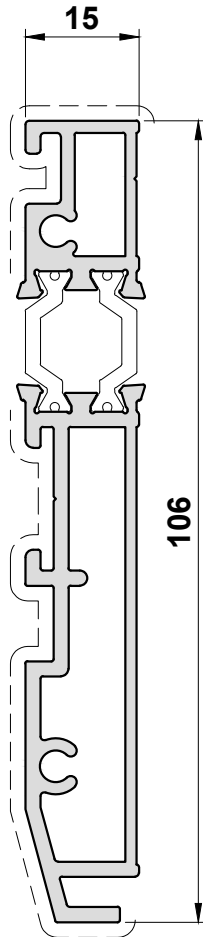


Scale 1:1

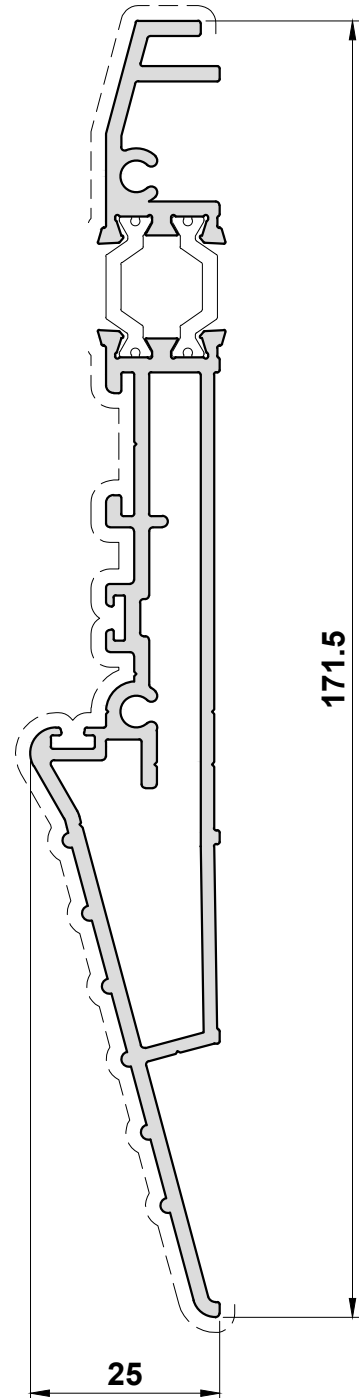
Primary Visible Side

Secondary Visible Side

IMP263
Low Threshold for Rebated Door
Open Out



IMP264
Threshold with Rebate
Open In

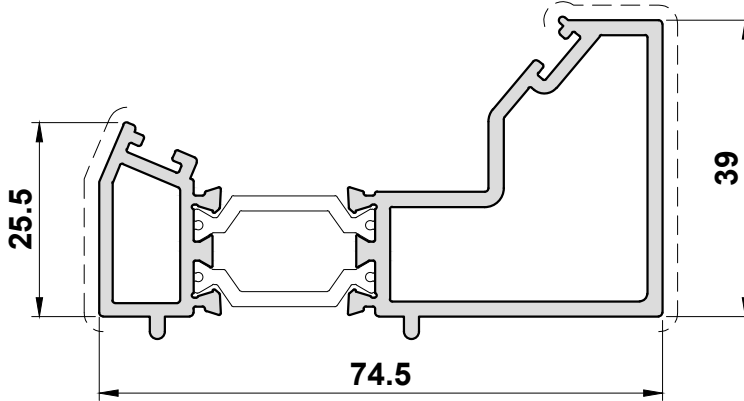


Scale 1:1

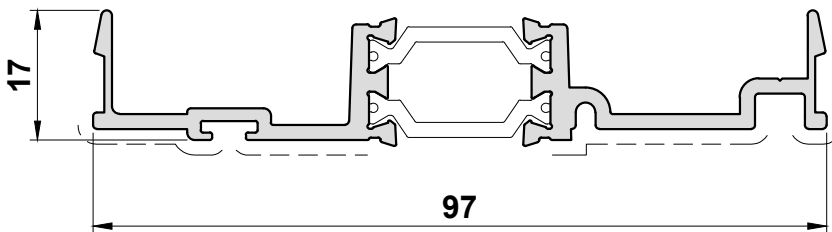
Primary Visible Side

Secondary Visible Side

IMP265
Rebated Anti-Finger Trap Adaptor



IMP269
Closer Infill Plate for Rebated Door

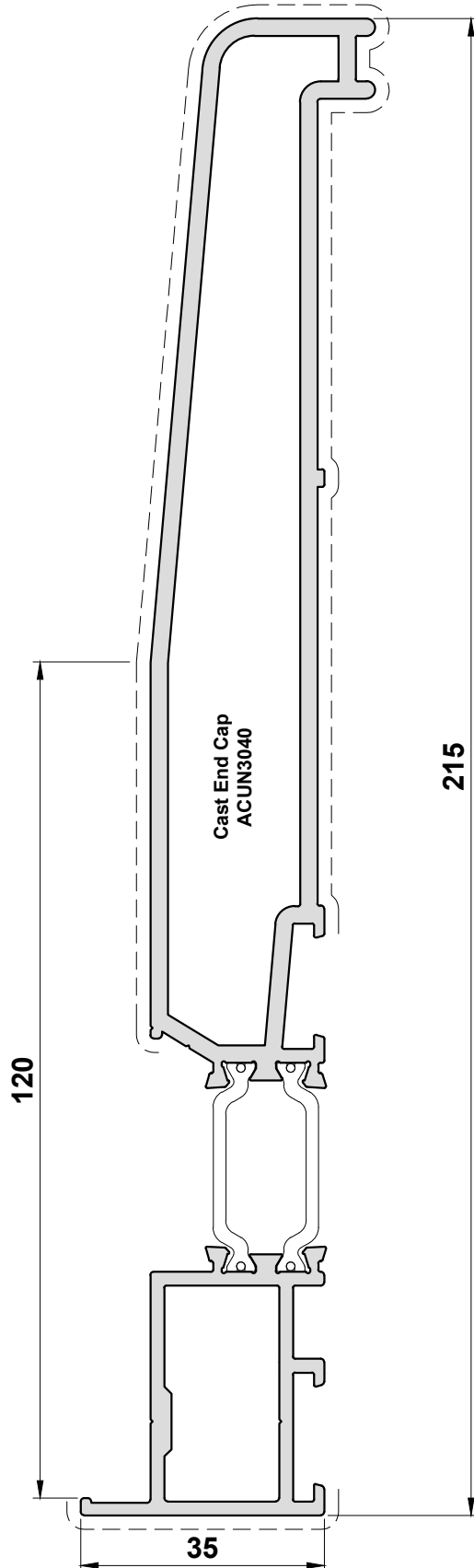


Scale 1:1

Primary Visible Side

Secondary Visible Side

UN3040
215mm Cill



Scale 1:1

Primary Visible Side

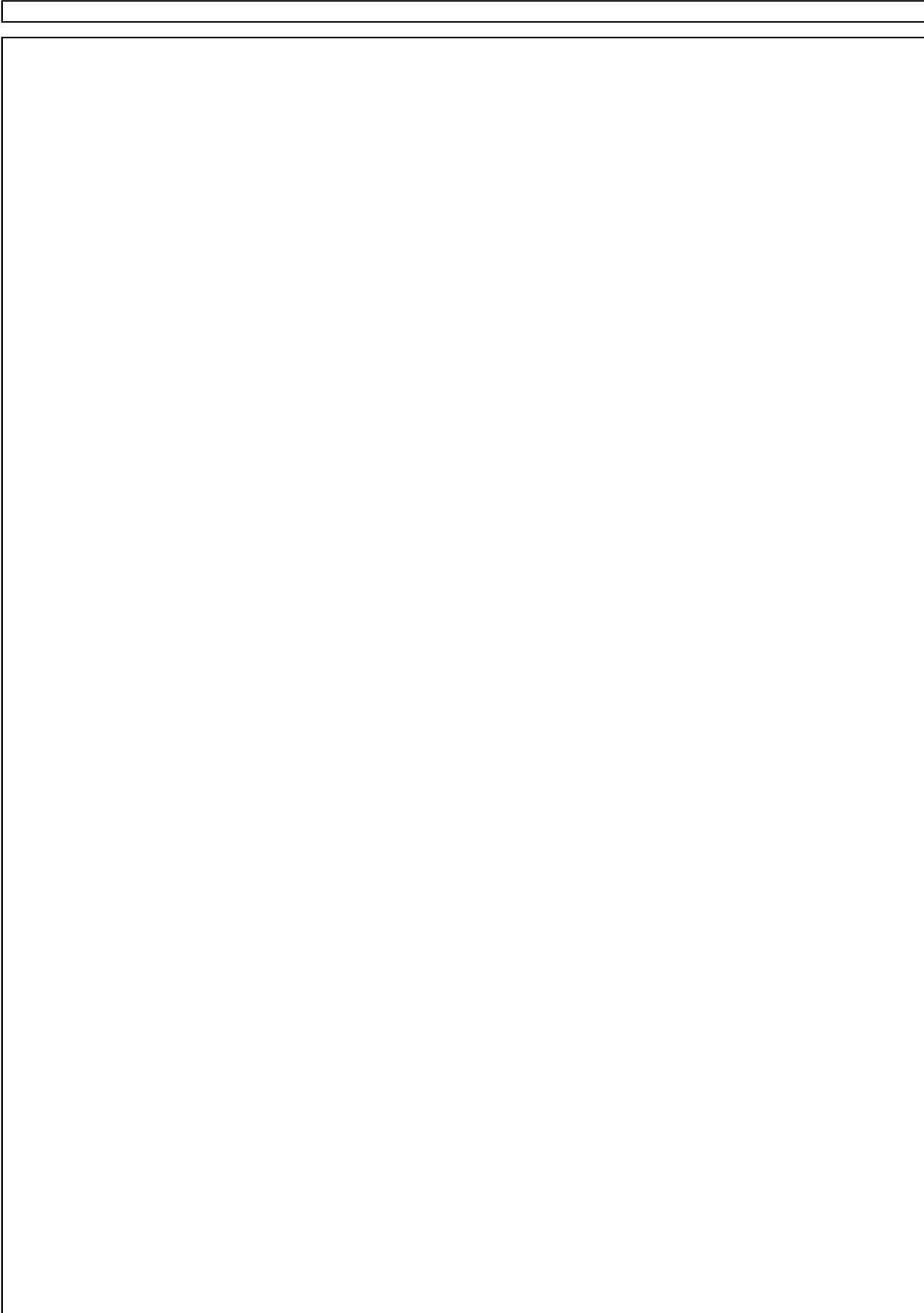
Secondary Visible Side

Scale 1:1

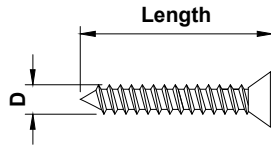
Section B

Accessories

Photos & Drawings



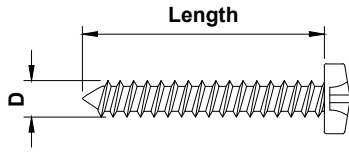
Countersunk Screws



Gauge	'D' (mm)
No.6	3.5
No.7	3.8
No.8	4
No.10	5
No.12	6

Part Number	Gauge	X	Length	Description	Box Qty.
ACUN3530	No.6	X	5/8"	Countersunk Pozi Self Tapper S/S	100
MUA025SSZ	No.6	X	1"	Countersunk Pozi Self Tapper S/S	100
ACET067	No.7	X	1/2"	Countersunk Pozi Self Tapper S/S	100
ACET060	No.7	X	1"	Countersunk Pozi Self Tapper S/S	100
ACET066	No.7	X	1 1/2"	Countersunk Pozi Self Tapper S/S	100
MUA067SSZ	No.7	X	2"	Countersunk Pozi Self Tapper S/S	100
ACUN3544	No.7	X	3/4"	Countersunk Pozi Self Tapper S/S	100
ACET064	No.8	X	5/8"	Countersunk Pozi Self Tapper S/S	100
ACUN3512	No.8	X	1 1/4"	Countersunk Pozi Self Tapper S/S	100
ACUN3513	No.8	X	1 3/4"	Countersunk Pozi Self Tapper S/S	100
ACET072	No.8	X	2 1/2"	Countersunk Pozi Self Tapper S/S	100
ACET490	4.3mm	X	16mm	Countersunk PH2 Polyamide Screw	1000
ACET290	4.3mm	X	20mm	Countersunk PH2 Polyamide Screw	100
ACET390	4.3mm	X	25mm	Countersunk PH2 Polyamide Screw	200
ACET190	4.3mm	X	45mm	Countersunk PH2 Polyamide Screw	1000
ACVS062	4.3mm	X	65mm	Countersunk PH2 Polyamide Screw	1000
ACET048	No.10	X	3/8"	Countersunk Pozi Self Tapper S/S	100
ACIM062	No.10	X	1 1/4"	Countersunk Pozi Self Tapper S/S	100
ACET062	No.10	X	2"	Countersunk Pozi Self Tapper S/S	100
ACET076	No.10	X	2 1/2"	Countersunk Pozi Self Tapper S/S	100

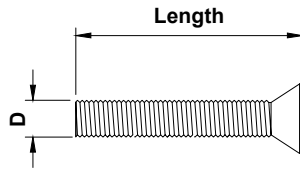
Pan Head Screws



Gauge	'D' (mm)
No.6	3.5
No.7	3.8
No.8	4
No.10	5
No.12	6

Part Number	Gauge	X	Length	Description	Box Qty.
ACET068	No.8	X	3/8"	Pozi Flange AB	100
ACET063	No.8	X	1/2"	Pan Head Self Tapper	100
ACET070	No.8	X	1/2"	Pozi Flange Self Tapper S/S	100
ACUN3535	No.8	X	5/8"	Pan Head Pozi S/S	100
ACET099	No.8	X	3/4"	Pozi Flange Self Tapper S/S	100
ACDR050	4.8mm	X	32mm	Pan Head Pozi S/S	200
PUA028	No.10	X	1"	Pan Head Pozi S/S	100
ACDR052	No.10	X	2"	Pan Head Self Tapper S/S	200
ACET079	No.10	X	2 1/2"	Pan Head Pozi S/S	100
ACW20160	No.12	X	1"	Flange Head Self Tapper S/S	100
ACMC109	6.3mm	X	38mm	DIN7981 - Pan Head Self Tapper	200

Machine Screws









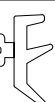
Thread	'D' (mm) Nominal
M4	4
M5	5
M6	6
M8	8
M10	10

Part Number	Thread	X	Length	Description	Box Qty.
ACET122	M4	X	10	CSK Pozi Machine Screw	100
ACET123	M4	X	20	CSK Pozi Machine Screw	100
ACDV264	M4	X	35	CSK Pozi Machine Screw	100
ACSG071	M4	X	40	CSK Pozi Machine Screw	100
ACDV266	M4	X	45	CSK Pozi Machine Screw	100
ACDV262	M4	X	50	CSK Pozi Machine Screw	100
ACDV265	M4	X	60	CSK Pozi Machine Screw	100
ACDR051	M5	X	10	CSK Pozi Machine Screw	100
ACET069	M5	X	12	CSK Pozi Machine Screw	100
HEA132	M5	X	16	CSK Pozi Machine Screw	100
WCA134	M5	X	20	CSK Pozi Machine Screw	100
WCA143	M5	X	25	CSK Pozi Machine Screw	50
ACVS061	M5	X	40	CSK Pozi Machine Screw	100
ACET133	M5	X	50	CSK Pozi Machine Screw	100
ACET220	M5	X	60	CSK Pozi Machine Screw	100
ACET238	M5	X	70	CSK Pozi Machine Screw	100
ACMX861	M5	X	80	DIN965 - CSK Machine Screw	10
ACMX862	M5	X	90	DIN965 - CSK Machine Screw	10
ACUN3503	M6	X	10	CSK Socket Machine Screw	24
ACUN3501	M6	X	13	CSK Flange Socket Machine Screw	48
ACMX852	M6	X	16	DIN965 - CSK Machine Screw	10
HEA390	M6	X	16	CSK Socket Machine Screw	32
ACET235	M6	X	60	CSK Pozi Machine Screw	100
ACET237	M6	X	70	CSK Pozi Machine Screw	100

Glazing Gaskets

Retaining Gasket









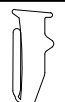
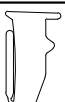
Commonly known as an E Gasket.
Retaining gaskets create a seal between the Glass and the Aluminium Profile.

High Line	2mm		ACVG231	
			200m	
			BL	
3mm	3mm		ACVG31	
			200m	
			BL	
4mm	4mm		ACVG131	
			100m	
			BL	
Low Line	2mm		ACET844	
			200m	
			BL	
	3mm	3mm		ACET842
				200m
				BL
	4mm	4mm		ACET841
				200m
				BL
	4mm	4mm		ACET835
				200m
				BL

Thickness	Drawing 1:1	Part number
		Coil length
		Available Colours

Wedge Gasket

Wedge Gaskets help to hold the bead in place by providing tension between the bead and the glazing unit.

High Line	3mm		ACVG32
			100m
			BL
3mm	3mm		ACVG32N
			100m
			BL
4mm	4mm		ACVG33
			100m
			BL
4mm	4mm		ACVG33N
			100m
			BL
5mm	5mm		ACVG34
			100m
			BL
5mm	5mm		ACVG34N
			100m
			BL
6mm	6mm		ACVG340
			200m
			BL
6mm	6mm		ACVG340N
			100m
			BL
Low Line	4mm - 3mm		ACW20038
			50m
			BL
5mm - 4mm	4mm - 3mm		ACET848
			200m
			BL

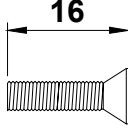



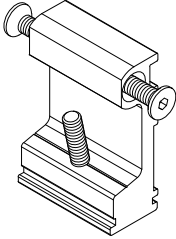


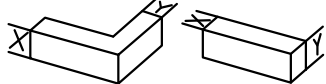
ACCESSORIES : PHOTOS & DRAWINGS

Image	Part Code	Pack	Unit	Application	Colour
	ACCY4040NK 40/40 Standard Security Euro Cylinder Nickel finish only Add 'SL' to part no. for keyed alike	1	Each	ACMX108	MF
					SA
					KL
					HP
					SSC
					SMC
					W
					Z
PC					
	ACCY4040NK-S1 40/40 TS007:2014 1 Star Euro Cylinder Nickel finish only Add 'SL' to part no. for keyed alike	1	Each	ACMX108	MF
					SA
					KL
					HP
					SSC
					SMC
					W
					Z
PC					
	ACCY4040NKTT 40/40 Standard Security Euro Cylinder with Thumbturn Nickel finish only Add 'SL' to part no. for keyed alike	1	Each	ACMX108	MF
					SA
					KL
					HP
					SSC
					SMC
					W
					Z
PC					
	ACCY4040NKTTTS1 40/40 TS007:2014 1 Star Euro Cylinder with Thumbturn Nickel finish only Add 'SL' to part no. for keyed alike	1	Each	ACMX108	MF
					SA
					KL
					HP
					SSC
					SMC
					W
					Z
PC					
	ACCY4545NK 45/45 Standard Security Euro Cylinder Nickel finish only Add 'SL' to part no. for keyed alike	1	Each	ACPD775	MF
					SA
					KL
					HP
					SSC
					SMC
					W
					Z
PC					
	MF = Mill Finish SA = Silver Anodised KL = Basic Colour HP = Special Colour SSC = Smooth Satin Chrome SMC = Smokey Chrome PC = Polished Chrome	W = White Z = Black			

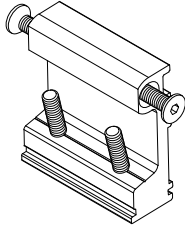
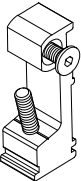
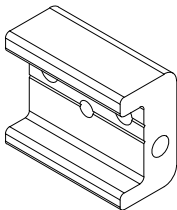
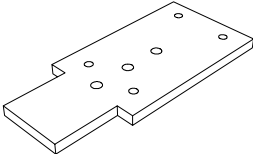
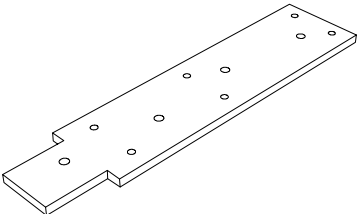


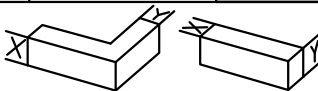
ACCESSORIES : PHOTOS & DRAWINGS

Image	Part Code	Pack	Unit	Application	Colour
	ACCY4545NK-S1 45/45 TS007:2014 1 Star Euro Cylinder Nickel finish only Add 'SL' to part no. for keyed alike	1	Each	ACPD775	MF SA KL HP SSC SMC W Z PC
	ACCY4545NKTT 45/45 Standard Security Euro Cylinder with Thumbturn Nickel finish only Add 'SL' to part no. for keyed alike	1	Each	ACPD775	MF SA KL HP SSC SMC W Z PC
	ACCY4545NKTTTS1 45/45 TS007:2014 1 Star Euro Cylinder with Thumbturn Nickel finish only Add 'SL' to part no. for keyed alike	1	Each	ACPD775	MF SA KL HP SSC SMC W Z PC
	ACDV205 7 x 4.5mm Woolpile	50	m	IMP114	MF SA KL HP SSC SMC W Z PC
	ACDV241 M4 Fixing Plate	50	Pack	ACSZ040 ACSZ041 ACSZ042	MF SA KL HP SSC SMC W Z PC
	MF = Mill Finish SA = Silver Anodised KL = Basic Colour HP = Special Colour SSC = Smooth Satin Chrome SMC = Smokey Chrome PC = Polished Chrome	W = White Z = Black			

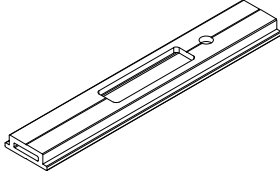
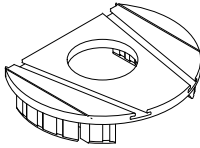
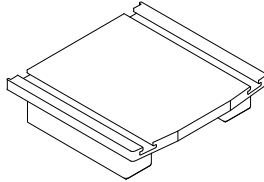
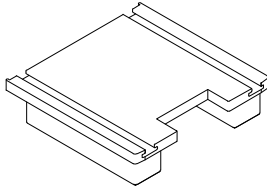
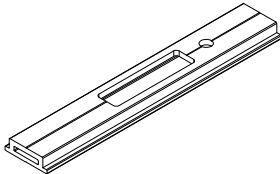

ACCESSORIES : PHOTOS & DRAWINGS

Image	Part Code	Pack	Unit	Application	Colour	
	ACET101 M4 MC Screw X 16mm C/S	100	pack		MF	✓
					SA	
					KL	
					HP	
					SSC	
					SMC	
					W	
					Z	
					PC	
	ACET160R Flipper Gasket	100	m	IMP031 IMP111 IMP211 IMP412	MF	
					SA	
					KL	
					HP	
					SSC	
					SMC	
					W	
					Z	✓
					PC	
	ACET232 Threshold Gasket with Upstand	100	m	IMP261 IMP264	MF	
					SA	
					KL	
					HP	
					SSC	
					SMC	
					W	
					Z	✓
					PC	
	ACET234 Threshold Gasket	100	m	IMP264	MF	
					SA	
					KL	
					HP	
					SSC	
					SMC	
					W	
					Z	✓
					PC	
	ACIM001 Cleat	24	Pack	IMP039 IMP040 IMP120	MF	✓
					SA	
					KL	
					HP	
					SSC	
					SMC	
					W	
					Z	
					PC	
 <small>T-BARS ACVG66=2.5mm ACVG66=3.0mm ACVL150=4.0mm</small>	 <small>Screw (Grub)</small>	MF = Mill Finish SA = Silver Anodised KL = Basic Colour HP = Special Colour SSC = Smooth Satin Chrome SMC = Smokey Chrome PC = Polished Chrome	W = White Z = Black			

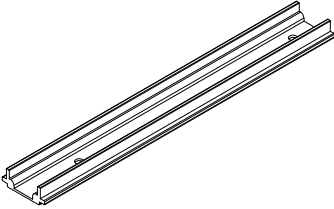
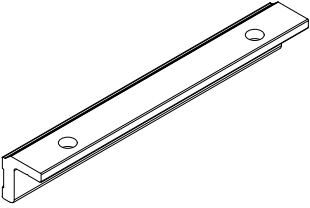
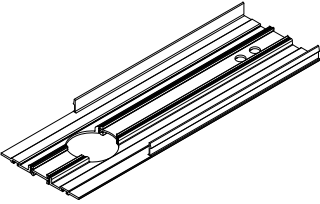
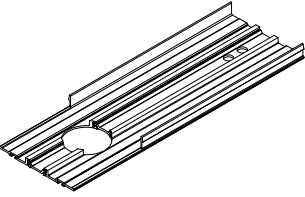



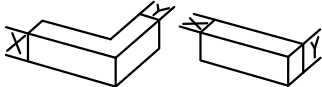
ACCESSORIES : PHOTOS & DRAWINGS

Image	Part Code	Pack	Unit	Application	Colour
	ACIM002 Cleat	24	Pack	IMP027 IMP028 IMP039 IMP040	MF <input checked="" type="checkbox"/> SA <input type="checkbox"/> KL <input type="checkbox"/> HP <input type="checkbox"/> SSC <input type="checkbox"/> SMC <input type="checkbox"/> W <input type="checkbox"/> Z <input type="checkbox"/> PC <input type="checkbox"/>
	ACIM003 Cleat	24	Pack	IMP034 IMP039 IMP040	MF <input checked="" type="checkbox"/> SA <input type="checkbox"/> KL <input type="checkbox"/> HP <input type="checkbox"/> SSC <input type="checkbox"/> SMC <input type="checkbox"/> W <input type="checkbox"/> Z <input type="checkbox"/> PC <input type="checkbox"/>
	ACIM004 Door Rail Cleat	24	Pack	IMP210	MF <input checked="" type="checkbox"/> SA <input type="checkbox"/> KL <input type="checkbox"/> HP <input type="checkbox"/> SSC <input type="checkbox"/> SMC <input type="checkbox"/> W <input type="checkbox"/> Z <input type="checkbox"/> PC <input type="checkbox"/>
	ACIM005 Bottom Bracket	1	Each	IMP027 IMP028	MF <input checked="" type="checkbox"/> SA <input type="checkbox"/> KL <input type="checkbox"/> HP <input type="checkbox"/> SSC <input type="checkbox"/> SMC <input type="checkbox"/> W <input type="checkbox"/> Z <input type="checkbox"/> PC <input type="checkbox"/>
	ACIM006 Top Bracket	1	Each	IMP120 IMP122	MF <input checked="" type="checkbox"/> SA <input type="checkbox"/> KL <input type="checkbox"/> HP <input type="checkbox"/> SSC <input type="checkbox"/> SMC <input type="checkbox"/> W <input type="checkbox"/> Z <input type="checkbox"/> PC <input type="checkbox"/>
 <p>T-BARS ACVG65=2.5mm ACVG66=3.0mm ACVL150=4.0mm</p>  <p>Screw (Grub)</p>	<p>MF = Mill Finish SA = Silver Anodised KL = Basic Colour HP = Special Colour SSC = Smooth Satin Chrome SMC = Smokey Chrome PC = Polished Chrome</p>	<p>W = White Z = Black</p>			

ACCESSORIES : PHOTOS & DRAWINGS

Image	Part Code	Pack	Unit	Application	Colour
	ACIM008 Keep-Double Door	1	Each	IMP038 IMP040	MF
					SA
					KL
					HP
					SSC
					SMC
					W
					Z
					PC
					
SA					
KL					
HP					
SSC					
SMC					
W					
Z					
PC					
	ACIM010 Primary Leaf End Cap 4.5mm thick	10	Pack	IMP039	
					SA
					KL
					HP
					SSC
					SMC
					W
					Z
					PC
					
SA					
KL					
HP					
SSC					
SMC					
W					
Z					
PC					
	ACIM012 Keep-Single Door	1	Each	IMP210	
					SA
					KL
					HP
					SSC
					SMC
					W
					Z
					PC
					 T-BARS ACVG66=2.5mm ACVG66=3.0mm ACVL150=4.0mm

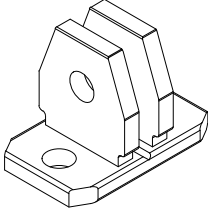
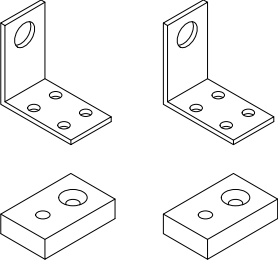
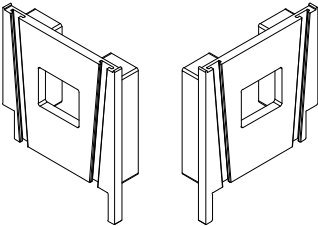
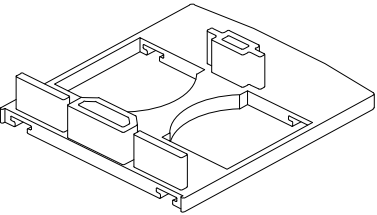
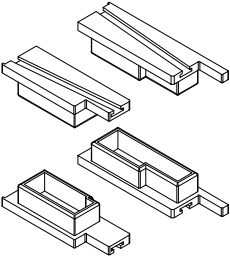


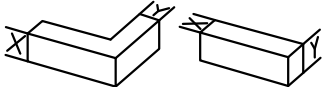
ACCESSORIES : PHOTOS & DRAWINGS

Image	Part Code	Pack	Unit	Application	Colour	
	ACIM016 Packer - Finger Bolt	10	Pack	ACVL432 IMP026 IMP038 IMP040 IMP041	MF	
					SA	
					KL	
					HP	
					SSC	
					SMC	
					W	✓
					Z	✓
PC						
	ACIM017 Door Stop Include Tape	10	Pack	IMP011	MF	✓
					SA	✓
					KL	✓
					HP	✓
					SSC	
					SMC	
					W	✓
					Z	✓
PC						
	ACIM018 300mm Cover Plate - 65mm Closer	1	Each	IMP110	MF	✓
					SA	✓
					KL	✓
					HP	✓
					SSC	
					SMC	
					W	✓
					Z	✓
PC						
	ACIM019 300mm Cover Plate - 65mm Closer	1	Each	IMP019	MF	✓
					SA	✓
					KL	✓
					HP	✓
					SSC	
					SMC	
					W	✓
					Z	✓
PC						
	ACIM020 S/Steel Self Tapping Screw	100	Pack	IMP040	MF	✓
					SA	
					KL	
					HP	
					SSC	
					SMC	
					W	
					Z	
PC						
 T-BARS ACVG65=2.5mm ACVG66=3.0mm ACVL150=4.0mm	 Screw (Grub)	MF = Mill Finish SA = Silver Anodised KL = Basic Colour HP = Special Colour SSC = Smooth Satin Chrome SMC = Smokey Chrome PC = Polished Chrome	W = White Z = Black			

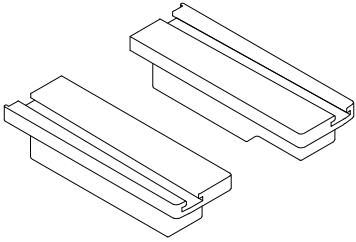
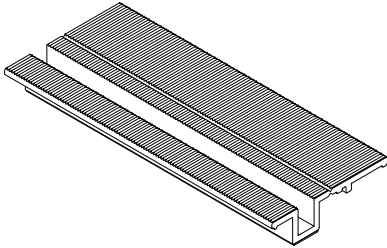
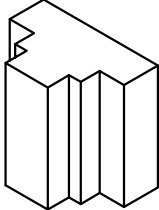
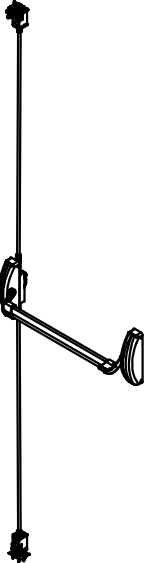


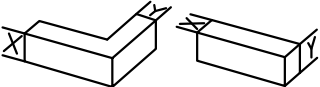
ACCESSORIES : PHOTOS & DRAWINGS

Image	Part Code	Pack	Unit	Application	Colour	
	ACIM021 Foam Infill	10	Pack	IMP036N IMP037N	MF	
					SA	
					KL	
					HP	
					SSC	
					SMC	
					W	
					Z	✓
					PC	
	ACIM022 Lock Fixing Bracket	1	Each	IMP039 IMP125	MF	
					SA	✓
					KL	
					HP	
					SSC	
					SMC	
					W	
					Z	
					PC	
	ACIM024 Fixing Plate (PVC)	50	Pack	IMP210 IMP310 IMP410	MF	
					SA	
					KL	
					HP	
					SSC	
					SMC	
					W	
					Z	✓
					PC	
	ACIM025 Mid Rail Fixing Brackets	24	Pack	IMP016 IMP034 IMP210 IMP310 IMP410	MF	
					SA	✓
					KL	
					HP	
					SSC	
					SMC	
					W	
					Z	
					PC	
	ACIM030 Pad Handle Fixings M6 x 100mm	1	Set	ACMX05520 ACMX05522	MF	
					SA	✓
					KL	
					HP	
					SSC	
					SMC	
					W	
					Z	
					PC	
<p>T-BARS ACVG65=2.5mm ACVG66=3.0mm ACVL150=4.0mm</p> <p>Screw (Grub)</p>	MF = Mill Finish SA = Silver Anodised KL = Basic Colour HP = Special Colour SSC = Smooth Satin Chrome SMC = Smokey Chrome PC = Polished Chrome	W = White Z = Black				




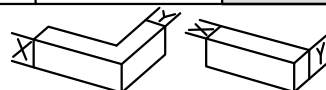
ACCESSORIES : PHOTOS & DRAWINGS

Image	Part Code	Pack	Unit	Application	Colour
	ACIM032 Brackets for IMP032	24	Pack	IMP032	MF <input checked="" type="checkbox"/>
					SA <input type="checkbox"/>
					KL <input type="checkbox"/>
					HP <input type="checkbox"/>
					SSC <input type="checkbox"/>
					SMC <input type="checkbox"/>
					W <input type="checkbox"/>
					Z <input type="checkbox"/>
					PC <input type="checkbox"/>
					PC <input type="checkbox"/>
	ACIM033 Shoot Bolt Fixing Kit	24	Pack	IMP026 IMP038 IMP040 IMP041	MF <input checked="" type="checkbox"/>
					SA <input type="checkbox"/>
					KL <input type="checkbox"/>
					HP <input type="checkbox"/>
					SSC <input type="checkbox"/>
					SMC <input type="checkbox"/>
					W <input type="checkbox"/>
					Z <input type="checkbox"/>
					PC <input type="checkbox"/>
					PC <input type="checkbox"/>
	ACIM038 Bottom End Cap for IMP038	10	Pairs	IMP038	MF <input type="checkbox"/>
					SA <input type="checkbox"/>
					KL <input type="checkbox"/>
					HP <input type="checkbox"/>
					SSC <input type="checkbox"/>
					SMC <input type="checkbox"/>
					W <input checked="" type="checkbox"/>
					Z <input checked="" type="checkbox"/>
					PC <input type="checkbox"/>
					PC <input type="checkbox"/>
	ACIM041 Bottom End Cap for IMP041	10	Pack	IMP041	MF <input type="checkbox"/>
					SA <input type="checkbox"/>
					KL <input type="checkbox"/>
					HP <input type="checkbox"/>
					SSC <input type="checkbox"/>
					SMC <input type="checkbox"/>
					W <input checked="" type="checkbox"/>
					Z <input checked="" type="checkbox"/>
					PC <input type="checkbox"/>
					PC <input type="checkbox"/>
	ACIM042 IMP042 Endcap	1	Set	IMP042	MF <input type="checkbox"/>
					SA <input type="checkbox"/>
					KL <input type="checkbox"/>
					HP <input type="checkbox"/>
					SSC <input type="checkbox"/>
					SMC <input type="checkbox"/>
					W <input type="checkbox"/>
					Z <input checked="" type="checkbox"/>
					PC <input type="checkbox"/>
					PC <input type="checkbox"/>
 <p>T-BARS ACVG65=2.5mm ACVG66=3.0mm ACVL150=4.0mm</p>  <p>Screw (Grub)</p>	MF = Mill Finish SA = Silver Anodised KL = Basic Colour HP = Special Colour SSC = Smooth Satin Chrome SMC = Smokey Chrome PC = Polished Chrome	W = White Z = Black			

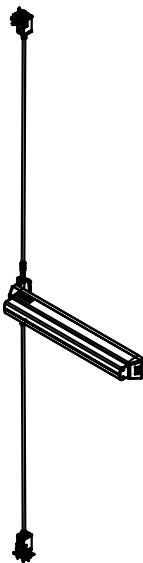
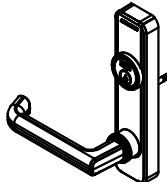





ACCESSORIES : PHOTOS & DRAWINGS

Image	Part Code	Pack	Unit	Application	Colour	
	ACIM043 IMP043 Endcap	1	Set	IMP043	MF	
					SA	
					KL	
					HP	
					SSC	
					SMC	
					W	
					Z	✓
					PC	
	ACIM057 Bridge Packer	10	Pack		MF	
					SA	
					KL	
					HP	
					SSC	
					SMC	
					W	
					Z	✓
					PC	
	ACIM064 Anti-Crush Block	1	Each	IMP041	MF	
					SA	
					KL	
					HP	
					SSC	
					SMC	
					W	
					Z	
					PC	✓
	ACIM065 Push Bar CVR Panic Exit Device for doors up to 2370mm high	1	Each	IMP041	MF	
					SA	
					KL	
					HP	
					SSC	
					SMC	
					W	
					Z	
					PC	
 <small>T-BARS ACVG65=2.5mm ACVG66=3.0mm ACVL150=4.0mm</small>	 <small>Screw (Grub)</small>	MF = Mill Finish SA = Silver Anodised KL = Basic Colour HP = Special Colour SSC = Smooth Satin Chrome SMC = Smokey Chrome PC = Polished Chrome	W = White Z = Black			

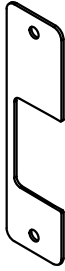

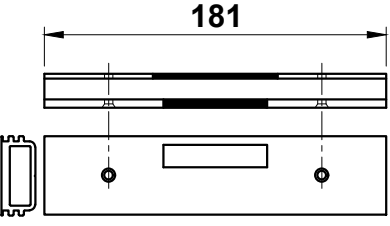
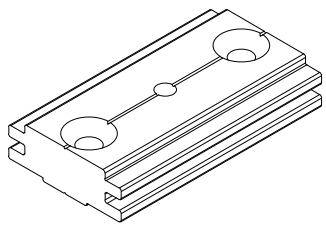
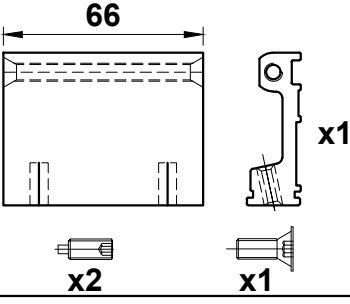

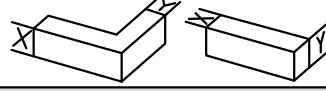
ACCESSORIES : PHOTOS & DRAWINGS

Image	Part Code	Pack	Unit	Application	Colour
	ACIM066 Push Pad CVR L/H Panic Exit Device for doors up to 2370mm high	1	Each	IMP041	MF
					SA
					KL
					HP
					SSC
					SMC
					W
					Z
					PC
	ACIM067 Push Pad CVR R/H Panic Exit Device for doors up to 2370mm high	1	Each	IMP041	MF
					SA
					KL
					HP
					SSC
					SMC
					W
					Z
					PC
	MF = Mill Finish SA = Silver Anodised KL = Basic Colour HP = Special Colour SSC = Smooth Satin Chrome SMC = Smokey Chrome PC = Polished Chrome	W = White Z = Black			MF
					SA
					KL
					HP
					SSC
					SMC
					W
					Z
					PC

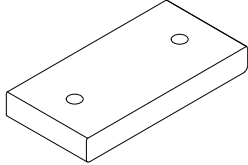
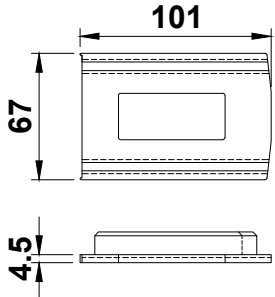
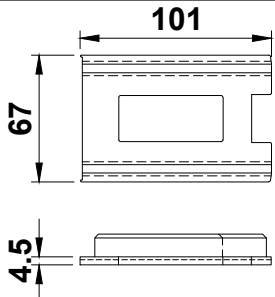
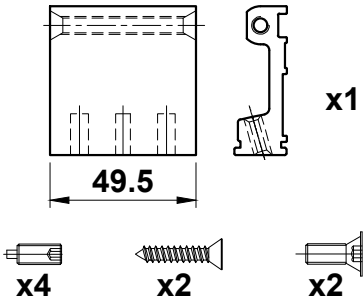
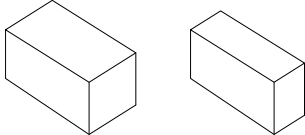


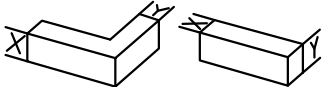
ACCESSORIES : PHOTOS & DRAWINGS

Image	Part Code	Pack	Unit	Application	Colour
	ACIM069 Touch Bar CVR Panic Exit Device 1200mm Wide Touch Bar for doors up to 2370mm high	1	Each	IMP041	MF
					SA
					KL
					HP
					SSC
					SMC
					W
					Z
					PC
	ACIM071 Lever Universal OAD With Screw in Cylinder	1	Each	ACIM065 ACIM066 ACIM067 ACIM069	MF
					SA
					KL
					HP
					SSC
					SMC
					W
					Z
					PC
	ACIM074 585 Escutcheon With Screw in Cylinder	1	Each	ACIM066 ACIM067 ACIM069	MF
					SA
					KL
					HP
					SSC
					SMC
					W
					Z
					PC
	ACIM077 485 Escutcheon With Screw in Cylinder	1	Each	ACIM065	MF
					SA
					KL
					HP
					SSC
					SMC
					W
					Z
					PC
 <small>T-BARS ACVG65=2.5mm ACVG66=3.0mm ACVL150=4.0mm</small>	 <small>Screw (Grub)</small>	MF = Mill Finish SA = Silver Anodised KL = Basic Colour HP = Special Colour SSC = Smooth Satin Chrome SMC = Smokey Chrome PC = Polished Chrome	W = White Z = Black		

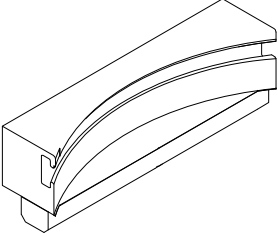
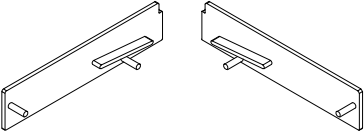
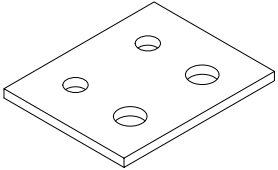
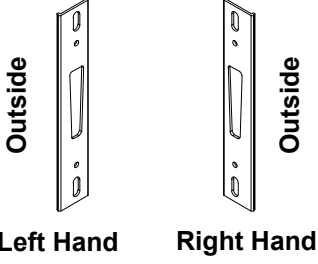


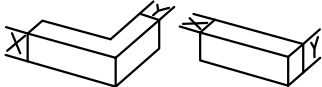
ACCESSORIES : PHOTOS & DRAWINGS

Image	Part Code	Pack	Unit	Application	Colour	
	ACIM078 Touch Bar Trim Plate	1	Each	ACIM065	MF	
					SA	
					KL	
					HP	
					SSC	
					SMC	
					W	
					Z	
					PC	
	ACIM079 CVR Extension Kit for doors up to 3580mm high	1	Each	ACIM065 ACIM066 ACIM067 ACIM069	MF	
					SA	
					KL	
					HP	
					SSC	
					SMC	
					W	
					Z	
					PC	
	ACIM112 Keep for Single Auto Sliding Doors	1	Each	IMP210	MF	
					SA	✓
					KL	
					HP	
					SSC	
					SMC	
					W	
					Z	
					PC	
	ACIM121 Auto Sliding Door Fixing Bracket	10	Pack	IMP121	MF	✓
					SA	
					KL	
					HP	
					SSC	
					SMC	
					W	
					Z	
					PC	
	ACIM122 Cleat for IMP122	24	Pack	IMP122	MF	✓
					SA	
					KL	
					HP	
					SSC	
					SMC	
					W	
					Z	
					PC	
 <small>T-BARS ACVG65=2.5mm ACVG66=3.0mm ACVL150=4.0mm</small>	MF = Mill Finish SA = Silver Anodised KL = Basic Colour HP = Special Colour SSC = Smooth Satin Chrome SMC = Smokey Chrome PC = Polished Chrome	W = White Z = Black				

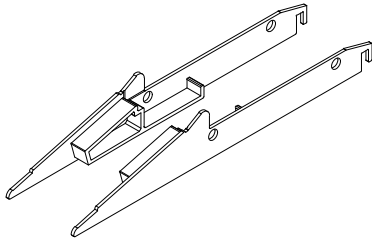
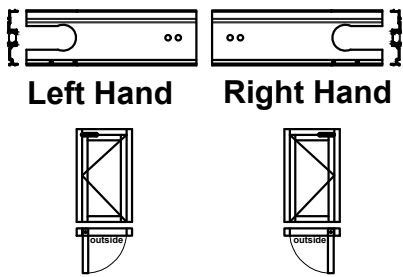
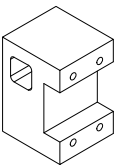
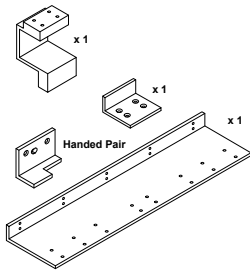
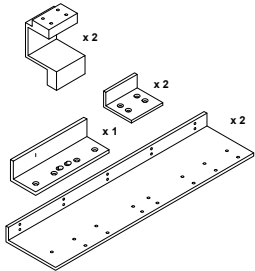


ACCESSORIES : PHOTOS & DRAWINGS

Image	Part Code	Pack	Unit	Application	Colour
	ACIM123 Fixing Plate for Bottom Guide of Auto Sliding Door	10	Pack	IMP027 IMP028	MF <input checked="" type="checkbox"/> SA <input type="checkbox"/> KL <input type="checkbox"/> HP <input type="checkbox"/> SSC <input type="checkbox"/> SMC <input type="checkbox"/> W <input type="checkbox"/> Z <input type="checkbox"/> PC <input type="checkbox"/>
	ACIM125 Bottom End Cap for IMP025	10	Pack	IMP025	MF <input type="checkbox"/> SA <input type="checkbox"/> KL <input type="checkbox"/> HP <input type="checkbox"/> SSC <input type="checkbox"/> SMC <input type="checkbox"/> W <input checked="" type="checkbox"/> Z <input checked="" type="checkbox"/> PC <input type="checkbox"/>
	ACIM126 Bottom End Cap for IMP026	10	Pack	IMP026	MF <input type="checkbox"/> SA <input type="checkbox"/> KL <input type="checkbox"/> HP <input type="checkbox"/> SSC <input type="checkbox"/> SMC <input type="checkbox"/> W <input checked="" type="checkbox"/> Z <input checked="" type="checkbox"/> PC <input type="checkbox"/>
	ACIM127 Cleat for IMP121	24	Pack	IMP121	MF <input checked="" type="checkbox"/> SA <input type="checkbox"/> KL <input type="checkbox"/> HP <input type="checkbox"/> SSC <input type="checkbox"/> SMC <input type="checkbox"/> W <input type="checkbox"/> Z <input type="checkbox"/> PC <input type="checkbox"/>
	ACIM130 Foam Inserts	50	Pairs	IMP030 IMP210 IMP217 IMP310 IMP410	MF <input checked="" type="checkbox"/> SA <input type="checkbox"/> KL <input type="checkbox"/> HP <input type="checkbox"/> SSC <input type="checkbox"/> SMC <input type="checkbox"/> W <input type="checkbox"/> Z <input type="checkbox"/> PC <input type="checkbox"/>
 	MF = Mill Finish SA = Silver Anodised KL = Basic Colour HP = Special Colour SSC = Smooth Satin Chrome SMC = Smokey Chrome PC = Polished Chrome	W = White Z = Black			

ACCESSORIES : PHOTOS & DRAWINGS

Image	Part Code	Pack	Unit	Application	Colour	
	ACIM140 Woolpile Carrier for Rebated Anti-Finger Trap	1	Each	IMP263 IMP269	MF	✓
					SA	
					KL	✓
					HP	✓
					SSC	
					SMC	
					W	✓
					Z	✓
					PC	
	ACIM157 End Caps for IMP057	10	Pairs	IMP057	MF	
					SA	
					KL	
					HP	
					SSC	
					SMC	
					W	✓
					Z	✓
					PC	
	ACIM210 Closer Fixing Plate	1	Pair	IMP216	MF	✓
					SA	
					KL	
					HP	
					SSC	
					SMC	
					W	
					Z	
					PC	
	ACIM212LH/RH Keep for Single Door	1	each	IMP216	MF	✓
					SA	✓
					KL	
					HP	
					SSC	
					SMC	
					W	
					Z	
					PC	
	ACIM263 End Caps for IMP263	10	Pairs	IMP263	MF	
					SA	
					KL	
					HP	
					SSC	
					SMC	
					W	
					Z	✓
					PC	
 <small>T-BARS ACVG65=2.5mm ACVG66=3.0mm ACVL150=4.0mm</small>	MF = Mill Finish SA = Silver Anodised KL = Basic Colour HP = Special Colour SSC = Smooth Satin Chrome SMC = Smokey Chrome PC = Polished Chrome	W = White Z = Black				





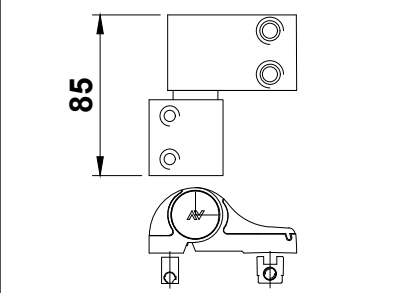


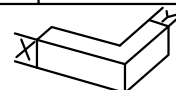

ACCESSORIES : PHOTOS & DRAWINGS

Image	Part Code	Pack	Unit	Application	Colour	
	ACIM264 PVC End Caps	10	Pairs	IMP264	MF	
					SA	
					KL	
					HP	
					SSC	
					SMC	
					W	
					Z	✓
					PC	
					 <p>Left Hand Right Hand</p> <p>Pre-Drilled Closer Plate to suit IMP269</p> <p>NB. Not Dual Colour</p>	1
SA						
KL	✓					
HP	✓					
SSC						
SMC						
W	✓					
Z	✓					
PC						
	ACIM270 Support Block for Panic Hardware	1	Each	IMP110 IMP269		
					SA	
					KL	
					HP	
					SSC	
					SMC	
					W	
					Z	
					PC	
						ACIM271N Double Door Autoslide Brackets Required for PAS24:2016
SA						
KL						
HP						
SSC						
SMC						
W						
Z						
PC						
	ACIM272N Single Door Autoslide Brackets Required for PAS24:2016	1	Pack			
					SA	
					KL	
					HP	
					SSC	
					SMC	
					W	
					Z	
					PC	
					 <p>T-BARS ACVG66=2.5mm ACVG66=3.0mm ACVL150=4.0mm</p>  <p>Screw (Grub)</p>	MF = Mill Finish SA = Silver Anodised KL = Basic Colour HP = Special Colour SSC = Smooth Satin Chrome SMC = Smokey Chrome PC = Polished Chrome

ACCESSORIES : PHOTOS & DRAWINGS

Image	Part Code	Pack	Unit	Application	Colour
	ACIM280 Autoslide Fixing Kit Required for PAS24:2016	1	Pack		MF
					SA
					KL
					HP
					SSC
					SMC
					W
					Z
					PC
	ACIM423A Door Closer Not Hold Open - 750/950 65mm End Load	1	Each	IMP110	MF
					SA
					KL
					HP
					SSC
					SMC
					W
					Z
					PC
	ACIM423B Door Closer Hold Open - 750/950 65mm End Load	1	Each	IMP110	MF
					SA
					KL
					HP
					SSC
					SMC
					W
					Z
					PC
	ACIM424A Door Closer Not Hold Open - 950/1150 65mm End Load	1	Each	IMP110	MF
					SA
					KL
					HP
					SSC
					SMC
					W
					Z
					PC
	ACIM424B Door Closer Hold Open - 950/1150 65mm End Load	1	Each	IMP110	MF
					SA
					KL
					HP
					SSC
					SMC
					W
					Z
					PC
 T-BARS ACVG65=2.5mm ACVG66=3.0mm ACVL150=4.0mm	 Screw (Grub)	MF = Mill Finish SA = Silver Anodised KL = Basic Colour HP = Special Colour SSC = Smooth Satin Chrome SMC = Smokey Chrome PC = Polished Chrome	W = White Z = Black		

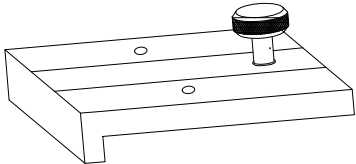
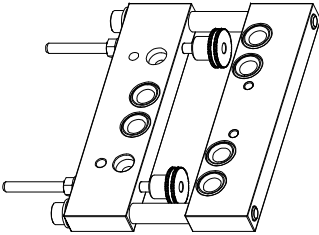
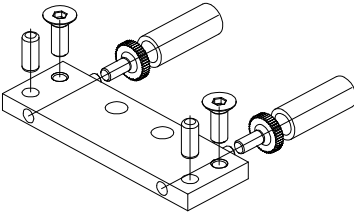
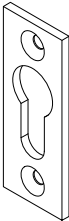
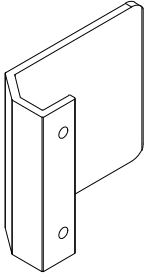


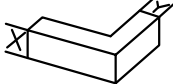
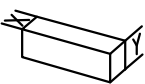
ACCESSORIES : PHOTOS & DRAWINGS

Image	Part Code	Pack	Unit	Application	Colour
	ACIM425A Door Closer Not Hold Open - <750 65mm End Load	1	Each	IMP110	MF
					SA
					KL
					HP
					SSC
					SMC
					W
					Z
					PC
	ACIM425B Door Closer Hold Open - <750 65mm End Load	1	Each	IMP110	MF
					SA
					KL
					HP
					SSC
					SMC
					W
					Z
					PC
	ACIM426 Springless Door Closer	1	Each	IMP110	MF
					SA
					KL
					HP
					SSC
					SMC
					W
					Z
					PC
	ACIM428 Face Mounted Door Closer (Item not stocked - check details with our Sales Department)	1	Each	IMP111	MF
					SA
					KL
					HP
					SSC
					SMC
					W
					Z
					PC
	ACIM429 2 Part Flag Hinge	2	Pack	IMP111	MF
					SA
					KL
					HP
					SSC
					SMC
					W
					Z
					PC
 T-BARS ACVG665=2.5mm ACVG666=3.0mm ACVL150=4.0mm	 Screw (Grub)	MF = Mill Finish SA = Silver Anodised KL = Basic Colour HP = Special Colour SSC = Smooth Satin Chrome SMC = Smokey Chrome PC = Polished Chrome	W = White Z = Black	 	

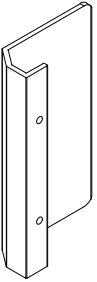
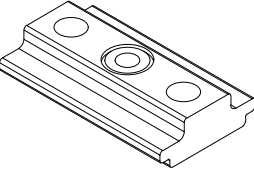
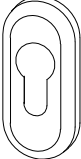

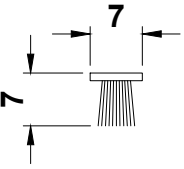


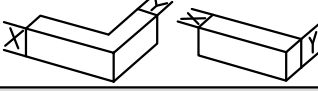
ACCESSORIES : PHOTOS & DRAWINGS

Image	Part Code	Pack	Unit	Application	Colour
	ACIM430 3 Part Flag Hinge	2	Pack	IMP111	MF <input checked="" type="checkbox"/>
					SA <input checked="" type="checkbox"/>
					KL <input type="checkbox"/>
					HP <input type="checkbox"/>
					SSC <input type="checkbox"/>
					SMC <input type="checkbox"/>
					W <input checked="" type="checkbox"/>
					Z <input type="checkbox"/>
					PC <input type="checkbox"/>
					PC <input type="checkbox"/>
	ACIM440B Door Lock - 30mm Back Set	1	Each	IMP039	MF <input checked="" type="checkbox"/>
					SA <input type="checkbox"/>
					KL <input type="checkbox"/>
					HP <input type="checkbox"/>
					SSC <input type="checkbox"/>
					SMC <input type="checkbox"/>
					W <input type="checkbox"/>
					Z <input type="checkbox"/>
					PC <input type="checkbox"/>
					PC <input type="checkbox"/>
	ACIM440C Door Lock - 40mm Back Set	1	Each	IMP039	MF <input checked="" type="checkbox"/>
					SA <input type="checkbox"/>
					KL <input type="checkbox"/>
					HP <input type="checkbox"/>
					SSC <input type="checkbox"/>
					SMC <input type="checkbox"/>
					W <input type="checkbox"/>
					Z <input type="checkbox"/>
					PC <input type="checkbox"/>
					PC <input type="checkbox"/>
	ACIM443 High Security Cylinder Guard	1	Each		MF <input checked="" type="checkbox"/>
					SA <input type="checkbox"/>
					KL <input type="checkbox"/>
					HP <input type="checkbox"/>
					SSC <input type="checkbox"/>
					SMC <input type="checkbox"/>
					W <input type="checkbox"/>
					Z <input type="checkbox"/>
					PC <input type="checkbox"/>
					PC <input type="checkbox"/>
	ACIM900 Drill Jig	1	Each	ACIM004 IMP210	<input checked="" type="checkbox"/>
					SA <input type="checkbox"/>
					KL <input type="checkbox"/>
					HP <input type="checkbox"/>
					SSC <input type="checkbox"/>
					SMC <input type="checkbox"/>
					W <input type="checkbox"/>
					Z <input type="checkbox"/>
					PC <input type="checkbox"/>
					PC <input type="checkbox"/>
<p>T-BARS ACVG65=2.5mm ACVG66=3.0mm ACVL150=4.0mm</p> <p>Screw (Grub)</p>	<p>MF = Mill Finish SA = Silver Anodised KL = Basic Colour HP = Special Colour SSC = Smooth Satin Chrome SMC = Smokey Chrome PC = Polished Chrome</p>	<p>W = White Z = Black</p>			

ACCESSORIES : PHOTOS & DRAWINGS

Image	Part Code	Pack	Unit	Application	Colour
	ACIM901 Drill Jig	1	Each	IMP027 IMP028 IMP034 IMP120 IMP121 IMP122	MF <input checked="" type="checkbox"/>
					SA <input type="checkbox"/>
					KL <input type="checkbox"/>
					HP <input type="checkbox"/>
					SSC <input type="checkbox"/>
					SMC <input type="checkbox"/>
					W <input type="checkbox"/>
					Z <input type="checkbox"/>
					PC <input type="checkbox"/>
	ACIM905 Drill Jig	1	Each	ACIM429 ACIM430	MF <input checked="" type="checkbox"/>
					SA <input type="checkbox"/>
					KL <input type="checkbox"/>
					HP <input type="checkbox"/>
					SSC <input type="checkbox"/>
					SMC <input type="checkbox"/>
					W <input type="checkbox"/>
					Z <input type="checkbox"/>
					PC <input type="checkbox"/>
	ACIM906 Drill Jig Adaptor	1	Each	ACIM429 ACIM430	MF <input checked="" type="checkbox"/>
					SA <input type="checkbox"/>
					KL <input type="checkbox"/>
					HP <input type="checkbox"/>
					SSC <input type="checkbox"/>
					SMC <input type="checkbox"/>
					W <input type="checkbox"/>
					Z <input type="checkbox"/>
					PC <input type="checkbox"/>
	ACMX108 Escutcheon	1	Each		MF <input checked="" type="checkbox"/>
					SA <input checked="" type="checkbox"/>
					KL <input checked="" type="checkbox"/>
					HP <input checked="" type="checkbox"/>
					SSC <input type="checkbox"/>
					SMC <input type="checkbox"/>
					W <input checked="" type="checkbox"/>
					Z <input checked="" type="checkbox"/>
					PC <input type="checkbox"/>
	ACMX05520N 100mm Pad Handle	1	Each	ACIM030	MF <input checked="" type="checkbox"/>
					SA <input checked="" type="checkbox"/>
					KL <input checked="" type="checkbox"/>
					HP <input checked="" type="checkbox"/>
					SSC <input type="checkbox"/>
					SMC <input type="checkbox"/>
					W <input checked="" type="checkbox"/>
					Z <input checked="" type="checkbox"/>
					PC <input type="checkbox"/>
 T-BARS ACVG65=2.5mm ACVG66=3.0mm ACVL150=4.0mm	 Screw (Grub)	MF = Mill Finish SA = Silver Anodised KL = Basic Colour HP = Special Colour SSC = Smooth Satin Chrome SMC = Smokey Chrome PC = Polished Chrome	W = White Z = Black	 	

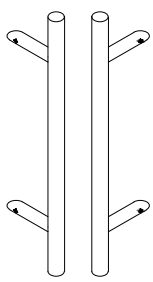
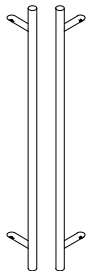


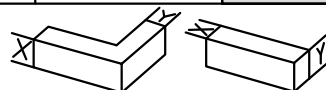
ACCESSORIES : PHOTOS & DRAWINGS

Image	Part Code	Pack	Unit	Application	Colour	
	ACMX05522N 200mm Pad Handle	1	Each	ACIM030	MF	✓
					SA	✓
					KL	✓
					HP	✓
					SSC	
					SMC	
					W	✓
					Z	✓
					PC	
	ACDV523 M4 Fixing Plate	50	pack	ACDV265 ACVL426	MF	✓
					SA	
					KL	
					HP	
					SSC	
					SMC	
					W	
					Z	
					PC	
	ACPD775 Oval Escutcheon	1	ea	ACCY4545	MF	
					SA	
					KL	
					HP	
					SSC	
					SMC	
					W	
					Z	
					PC	
	ACRV032 Infill Gasket	50	m	IMP058	MF	
					SA	
					KL	
					HP	
					SSC	
					SMC	
					W	
					Z	✓
					PC	
	ACSH032 7 x 7mm Woolpile (Grey)	200	m	IMP038 IMP042	MF	
					SA	
					KL	
					HP	
					SSC	
					SMC	
					W	
					Z	
					PC	
 T-BARS ACVG65=2.5mm ACVG66=3.0mm ACVL150=4.0mm	 Screw (Grub)	MF = Mill Finish SA = Silver Anodised KL = Basic Colour HP = Special Colour SSC = Smooth Satin Chrome SMC = Smokey Chrome PC = Polished Chrome	W = White Z = Black			

ACCESSORIES : PHOTOS & DRAWINGS

Image	Part Code	Pack	Unit	Application	Colour
	ACSH035 7 x 10mm Woolpile (Grey)	200	m	IMP025 IMP027 IMP039	MF
					SA
					KL
					HP
					SSC
					SMC
					W
					Z
					PC
SA					
KL					
HP					
SSC					
SMC					
W					
Z					
PC					
	ACSH470 Letter Plate Outer Dimensions - 310mm x 50mm	1	Each		
					SA
					KL
					HP
					SSC
					SMC
					W
					Z
					PC
	ACSH471 Letter Plate Outer Dimensions - 250mm x 65mm	1	Each		MF
					SA
					KL
					HP
					SSC
					SMC
					W
					Z
					PC
<p>T-BARS ACVG66=2.5mm ACVG66=3.0mm ACVL150=4.0mm</p> <p>Screw (Grub)</p>					MF
					SA
					KL
					HP
					SSC
					SMC
					W
					Z
					PC
					MF = Mill Finish
SA = Silver Anodised		Z = Black			
KL = Basic Colour					
HP = Special Colour					
SSC = Smooth Satin Chrome					
SMC = Smokey Chrome					
PC = Polished Chrome					

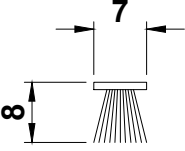
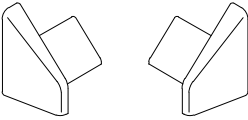
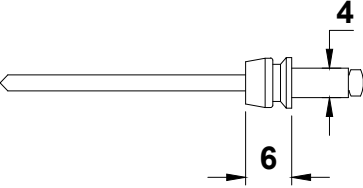
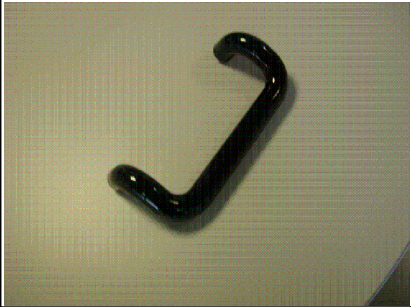


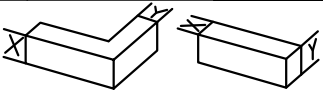
ACCESSORIES : PHOTOS & DRAWINGS

Image	Part Code	Pack	Unit	Application	Colour								
	ACSM020SS Stainless Steel 600mm Pull Bar Handle	1	Pair		MF								
					SA								
					KL								
					HP								
					SSC								
					SMC								
					W								
					Z								
PC													
	ACSM021SS Stainless Steel 1200mm Pull Bar Handle	1	Pair		MF								
					SA								
					KL								
					HP								
					SSC								
					SMC								
					W								
					Z								
PC													
	BT Lock (Cylinder operated) <table border="1"> <thead> <tr> <th>Lock</th> <th>Sash height</th> </tr> </thead> <tbody> <tr> <td>ACSZ040</td> <td>≤2366 mm.</td> </tr> <tr> <td>ACSZ041</td> <td>≤2700 mm.</td> </tr> <tr> <td>ACSZ042</td> <td>≤3100 mm.</td> </tr> </tbody> </table> Only to lock into outerframe	Lock	Sash height	ACSZ040	≤2366 mm.	ACSZ041	≤2700 mm.	ACSZ042	≤3100 mm.	1	Each	IMP042 IMP043	MF
		Lock	Sash height										
		ACSZ040	≤2366 mm.										
		ACSZ041	≤2700 mm.										
		ACSZ042	≤3100 mm.										
		SA											
		KL											
		HP											
		SSC											
		SMC											
W													
Z													
PC													
 <p>T-BARS ACVG65=2.5mm ACVG66=3.0mm ACVL150=4.0mm</p> <p>Screw (Grub)</p>	MF = Mill Finish	W = White											
	SA = Silver Anodised	Z = Black											
	KL = Basic Colour												
	HP = Special Colour												
	SSC = Smooth Satin Chrome												
	SMC = Smokey Chrome												
	PC = Polished Chrome												

ACCESSORIES : PHOTOS & DRAWINGS

Image	Part Code	Pack	Unit	Application	Colour
	ACSZ049 Fixing kit and keeps for ACSZ040 to ACSZ042.	1	Pack	ACSZ040 ACSZ041 ACSZ042	MF
					SA
					KL
					HP
					SSC
					SMC
					W
					Z
					PC
	ACUN3040 Cast End Cap for UN3040	10	Pack	UN3040	MF
					SA
					KL
					HP
					SSC
					SMC
					W
					Z
					PC
	ACUN3540 Stainless Steel Square Escutcheon	1	Each	ACCY4545	MF
					SA
					KL
					HP
					SSC
					SMC
					W
					Z
PC					
	ACUN3541 Stainless Steel Oval Escutcheon	1	Each	ACCY4545	MF
					SA
					KL
					HP
					SSC
					SMC
					W
					Z
PC					
 T-BARS ACVG65=2.5mm ACVG66=3.0mm ACVL150=4.0mm	 Screw (Grub)	MF = Mill Finish SA = Silver Anodised KL = Basic Colour HP = Special Colour SSC = Smooth Satin Chrome SMC = Smokey Chrome PC = Polished Chrome	W = White Z = Black	 	

ACCESSORIES : PHOTOS & DRAWINGS

Image	Part Code	Pack	Unit	Application	Colour
	ACVL033 7 x 8mm Woolpile (Grey)	50	m	IMP011 IMP035	MF SA KL HP SSC SMC W Z PC
	ACVL059 End Caps	1	Pair	VL72	MF SA KL HP SSC SMC W ✓ Z ✓ PC
	ACVL061 Rivet to secure VL72	100	Pack	VL72	MF ✓ SA KL HP SSC SMC W Z PC
	ACVL122 Door Handle - 230mm x 30mm dia. Nylon Coated	1	Each		MF SA KL HP SSC SMC W ✓ Z ✓ PC
	ACVL123 Door Handle - 350mm x 35mm dia. Nylon Coated	1	Each		MF SA KL HP SSC SMC W ✓ Z ✓ PC
	MF = Mill Finish SA = Silver Anodised KL = Basic Colour HP = Special Colour SSC = Smooth Satin Chrome SMC = Smokey Chrome PC = Polished Chrome	W = White Z = Black			

ACCESSORIES : PHOTOS & DRAWINGS

Image	Part Code	Pack	Unit	Application	Colour
	ACVL127 Shotbolts	1	Each	ACIM033 ACVL426 IMP026 IMP040 IMP041	MF SA KL HP SSC SMC W Z PC
	ACVL142 Single Handle Fixation Kit	1	Each	ACVL122 ACVL123	MF ✓ SA KL HP SSC SMC W Z PC
	ACVL143 Back to Back Handle Fixings Not visible after installation	1	Each	ACVL122 ACVL123	MF ✓ SA KL HP SSC SMC W Z PC
	ACVL426 Shot Bolt	1	Each	ACIM033 ACVL127 IMP026 IMP040 IMP041	MF ✓ SA KL HP SSC SMC W Z PC
	ACVL432 Finger Bolt (Not included in PAS24)	1	Each	ACIM016 IMP026 IMP038 IMP040 IMP041	MF ✓ SA KL HP SSC SMC W Z PC
	<p>T-BARS ACVG65=2.5mm ACVG66=3.0mm ACVL150=4.0mm</p> <p>Screw (Grub)</p>	<p>MF = Mill Finish SA = Silver Anodised KL = Basic Colour HP = Special Colour SSC = Smooth Satin Chrome SMC = Smokey Chrome PC = Polished Chrome</p>	<p>W = White Z = Black</p>		

ACCESSORIES : PHOTOS & DRAWINGS

Image	Part Code	Pack	Unit	Application	Colour
	ACVS033B 5 x 9mm Woolpile (Black)	50	m	IMP039 IMP260 IMP261 IMP262	MF <input checked="" type="checkbox"/>
					SA <input type="checkbox"/>
					KL <input type="checkbox"/>
					HP <input type="checkbox"/>
					SSC <input type="checkbox"/>
					SMC <input type="checkbox"/>
					W <input type="checkbox"/>
					Z <input type="checkbox"/>
					PC <input type="checkbox"/>
					MF <input type="checkbox"/>
SA <input type="checkbox"/>					
KL <input type="checkbox"/>					
HP <input type="checkbox"/>					
SSC <input type="checkbox"/>					
SMC <input type="checkbox"/>					
W <input type="checkbox"/>					
Z <input type="checkbox"/>					
PC <input type="checkbox"/>					
MF <input type="checkbox"/>					
SA <input type="checkbox"/>					
KL <input type="checkbox"/>					
HP <input type="checkbox"/>					
SSC <input type="checkbox"/>					
SMC <input type="checkbox"/>					
W <input type="checkbox"/>					
Z <input type="checkbox"/>					
PC <input type="checkbox"/>					
MF <input type="checkbox"/>					
SA <input type="checkbox"/>					
KL <input type="checkbox"/>					
HP <input type="checkbox"/>					
SSC <input type="checkbox"/>					
SMC <input type="checkbox"/>					
W <input type="checkbox"/>					
Z <input type="checkbox"/>					
PC <input type="checkbox"/>					
		MF = Mill Finish SA = Silver Anodised KL = Basic Colour HP = Special Colour SSC = Smooth Satin Chrome SMC = Smokey Chrome PC = Polished Chrome	W = White Z = Black		

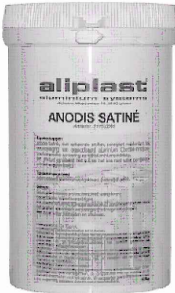
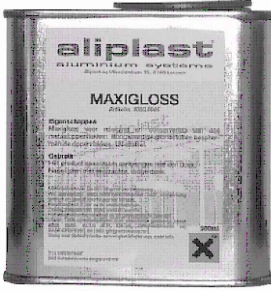

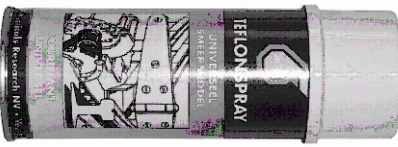




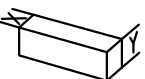
Image	Part Code	Pack	Unit	Application	Colour	
	ACMX09700 Alu-Polish Cleaning emulsion for aluminium oxide.	1	each		MF	✓
					SA	
					KL	
					HP	
					SSC	
					SMC	
					W	
					Z	
					PC	
	ACMX09761 Maxi Gloss Protection for painted and anodised surfaces.	1	each		MF	
					SA	
					KL	
					HP	
					SSC	
					SMC	
					W	
					Z	
					PC	
	ACMX09762 Alu. Bright Cleaner for rough, anodised or enamelled aluminium frames.	1	each		MF	
					SA	
					KL	
					HP	
					SSC	
					SMC	
					W	
					Z	
					PC	
	ACMX09763 Teflon Spray Lubricant	1	each		MF	
					SA	
					KL	
					HP	
					SSC	
					SMC	
					W	
					Z	
					PC	
	ACMX09764 Maxi Cleaner For cleaning oily surfaces.	1	each		MF	
					SA	
					KL	
					HP	
					SSC	
					SMC	
					W	
					Z	
					PC	
 T-BARS ACVG65=2.5mm ACVG66=3.0mm ACVL150=4.0mm	 Screw (Grub)	MF = Mill Finish SA = Silver Anodised KL = Basic Colour HP = Special Colour SSC = Smooth Satin Chrome SMC = Smokey Chrome PC = Polished Chrome	W = White Z = Black	 		

Image	Part Code	Pack	Unit	Application	Colour
	ACMX09765 Glue Cleaner (1 Litre) De-grease and silicone remover.	1	each		MF SA KL HP SSC SMC W Z PC
	ACMX09770 Roll & Wrap 100mm	1	each		MF SA KL HP SSC SMC W Z PC
	ACMX09775 Grip Handwrap	1	each		MF SA KL HP SSC SMC W Z PC
	ACMX09801 Protective Tape 50mm	1	each		MF SA KL HP SSC SMC W Z PC
	ACMX09802 Protective Tape 70mm	1	each		MF SA KL HP SSC SMC W Z PC
 <p>T-BARS ACVG65=2.5mm ACVG66=3.0mm ACVL150=4.0mm</p>  <p>Screw (Grub)</p>	<p>MF = Mill Finish SA = Silver Anodised KL = Basic Colour HP = Special Colour SSC = Smooth Satin Chrome SMC = Smokey Chrome PC = Polished Chrome</p>	<p>W = White Z = Black</p>	 		








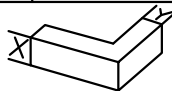
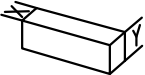



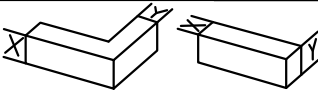
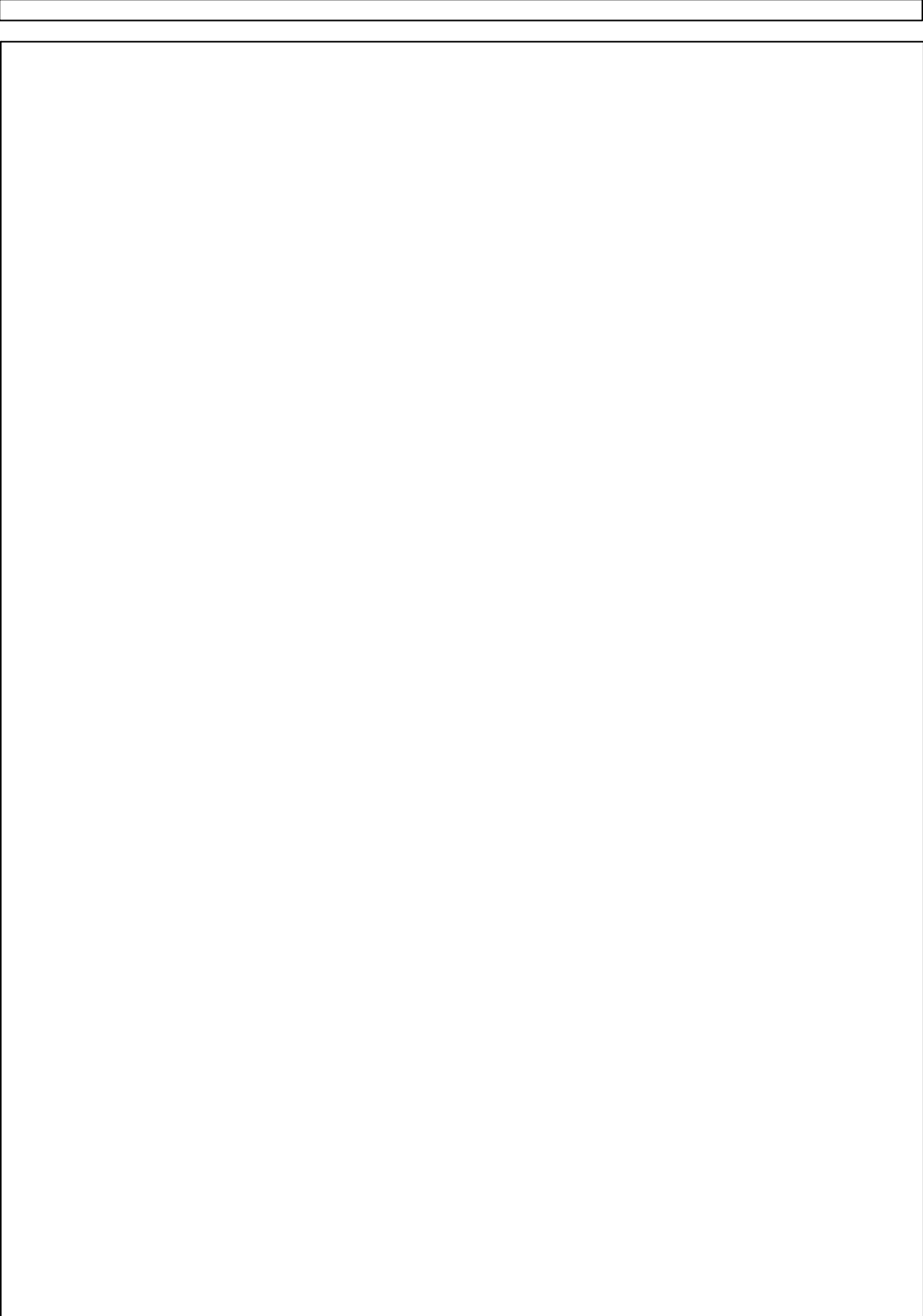
Image	Part Code	Pack	Unit	Application	Colour	
	ACMX09803 Protective Tape 100mm	1	each		MF	
					SA	
					KL	
					HP	
					SSC	
					SMC	
					W	
					Z	
					PC	
	ACSIL05 Rubber Sealant	1	each		MF	
					SA	
					KL	
					HP	
					SSC	
					SMC	
					W	
					Z	
					PC	
	ACSIL04 Sealing Glue Order with suffix of KL colour (eg.ACSIL04KL005) or BL=Black/WP=White/ CL=Clear	1	each		MF	
					SA	
					KL	✓
					HP	
					SSC	
					SMC	
					W	✓
					Z	✓
					PC	
	ACSIL08 Silicone Gun	1	each		MF	
					SA	
					KL	
					HP	
					SSC	
					SMC	
					W	
					Z	
					PC	
	ACSIL013 Glue for Mitre	1	each		MF	
					SA	
					KL	
					HP	
					SSC	
					SMC	
					W	
					Z	
					PC	
 <small>T-BARS ACVG65=2.5mm ACVG66=3.0mm ACVL150=4.0mm</small>	 <small>Screw (Grub)</small>	MF = Mill Finish SA = Silver Anodised KL = Basic Colour HP = Special Colour SSC = Smooth Satin Chrome SMC = Smokey Chrome PC = Polished Chrome	W = White Z = Black	 		

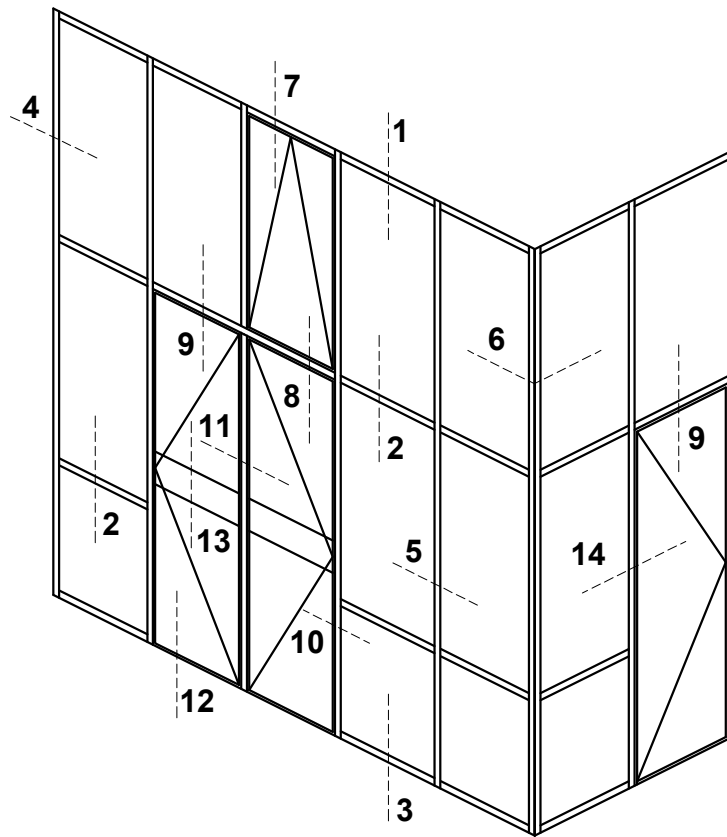
Image	Part Code	Pack	Unit	Application	Colour
	ACSIL014 Anti-Corrosion Coating	1	each		MF <input checked="" type="checkbox"/>
					SA <input type="checkbox"/>
					KL <input type="checkbox"/>
					HP <input type="checkbox"/>
					SSC <input type="checkbox"/>
					SMC <input type="checkbox"/>
					W <input type="checkbox"/>
					Z <input type="checkbox"/>
					PC <input type="checkbox"/>
					
SA <input type="checkbox"/>					
KL <input type="checkbox"/>					
HP <input type="checkbox"/>					
SSC <input type="checkbox"/>					
SMC <input type="checkbox"/>					
W <input type="checkbox"/>					
Z <input type="checkbox"/>					
PC <input type="checkbox"/>					
					SA <input type="checkbox"/>
					KL <input type="checkbox"/>
					HP <input type="checkbox"/>
					SSC <input type="checkbox"/>
					SMC <input type="checkbox"/>
					W <input type="checkbox"/>
					Z <input type="checkbox"/>
					PC <input type="checkbox"/>
SA <input type="checkbox"/>					
KL <input type="checkbox"/>					
HP <input type="checkbox"/>					
SSC <input type="checkbox"/>					
SMC <input type="checkbox"/>					
W <input type="checkbox"/>					
Z <input type="checkbox"/>					
PC <input type="checkbox"/>					
	MF = Mill Finish SA = Silver Anodised KL = Basic Colour HP = Special Colour SSC = Smooth Satin Chrome SMC = Smokey Chrome PC = Polished Chrome				
					SA <input type="checkbox"/>
					KL <input type="checkbox"/>
					HP <input type="checkbox"/>
					SSC <input type="checkbox"/>
					SMC <input type="checkbox"/>
					W <input type="checkbox"/>
					Z <input type="checkbox"/>
					PC <input type="checkbox"/>
SA <input type="checkbox"/>					
KL <input type="checkbox"/>					
HP <input type="checkbox"/>					
SSC <input type="checkbox"/>					
SMC <input type="checkbox"/>					
W <input type="checkbox"/>					
Z <input type="checkbox"/>					
PC <input type="checkbox"/>					
					
					SA <input type="checkbox"/>
					KL <input type="checkbox"/>
					HP <input type="checkbox"/>
					SSC <input type="checkbox"/>
					SMC <input type="checkbox"/>
					W <input type="checkbox"/>
					Z <input type="checkbox"/>
					PC <input type="checkbox"/>

Section C

Sections

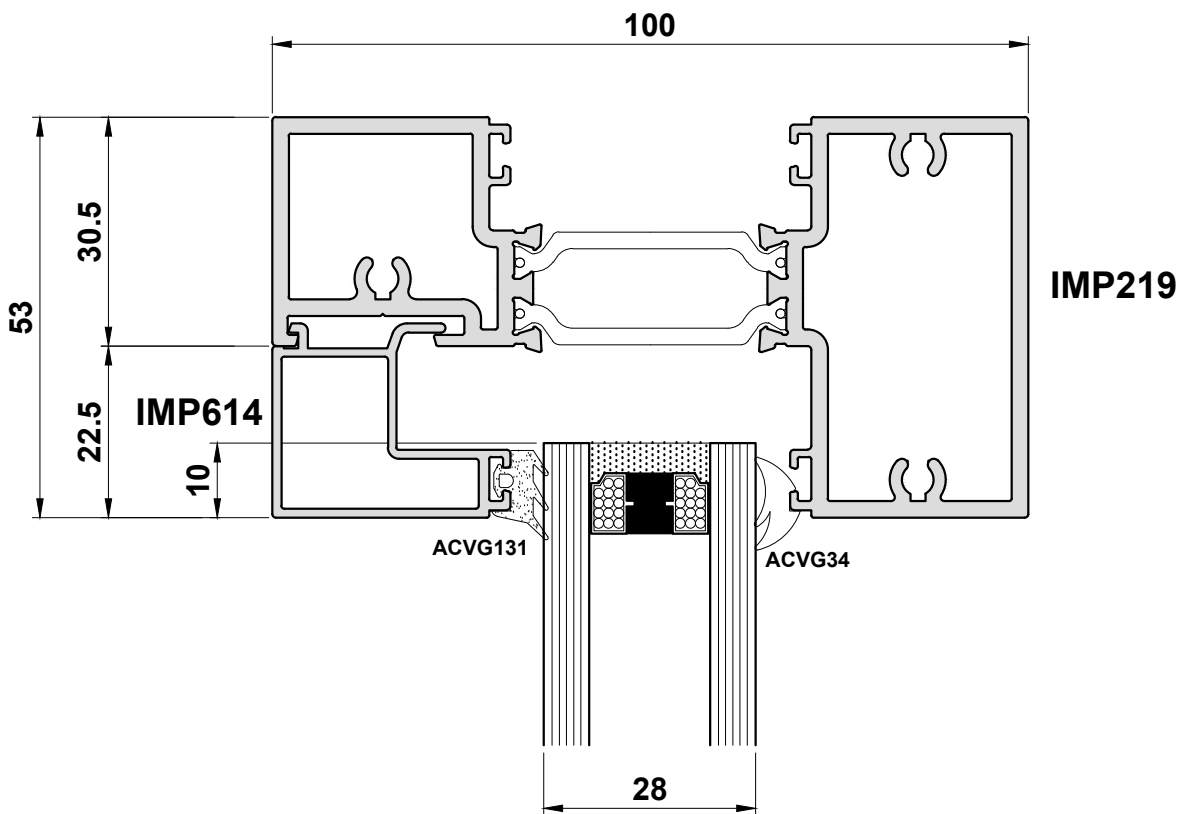
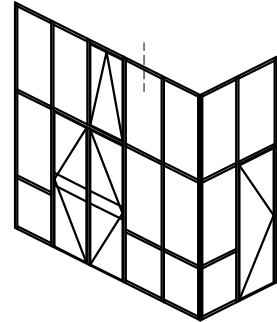
Scale Elevations





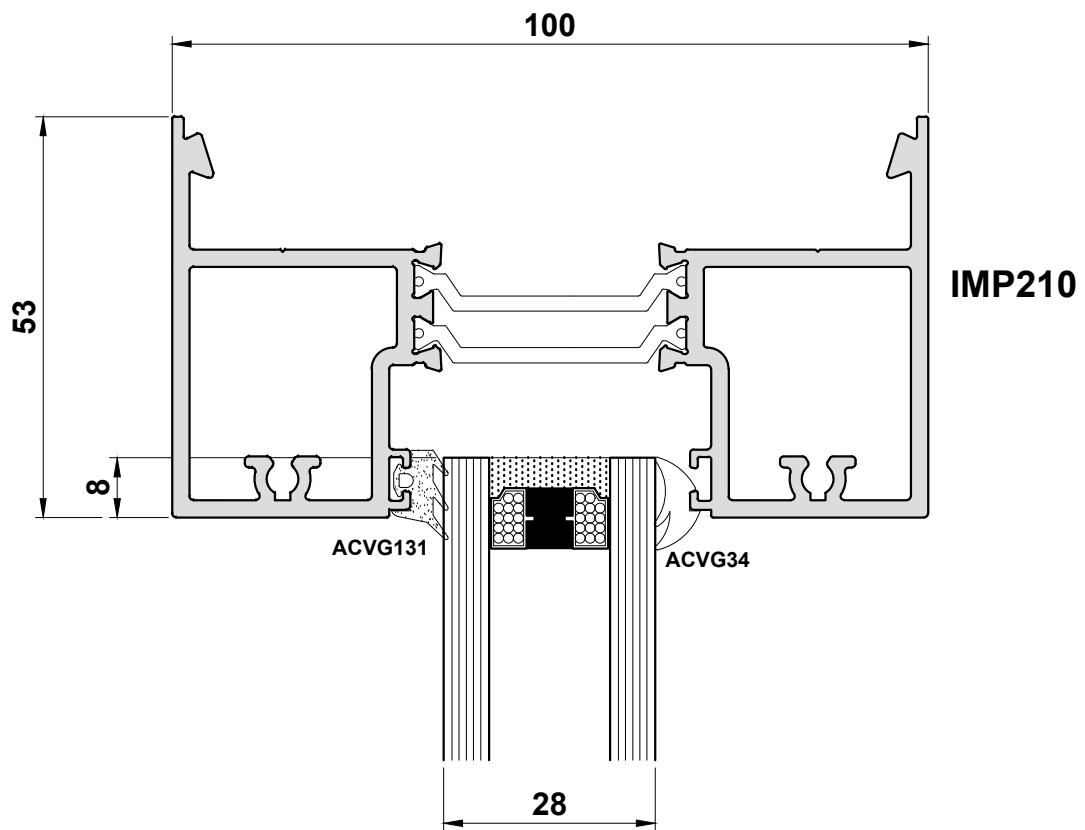
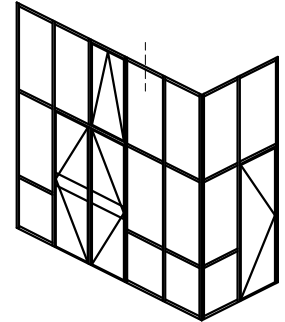
Do Not Scale From This Drawing

Detail 1A



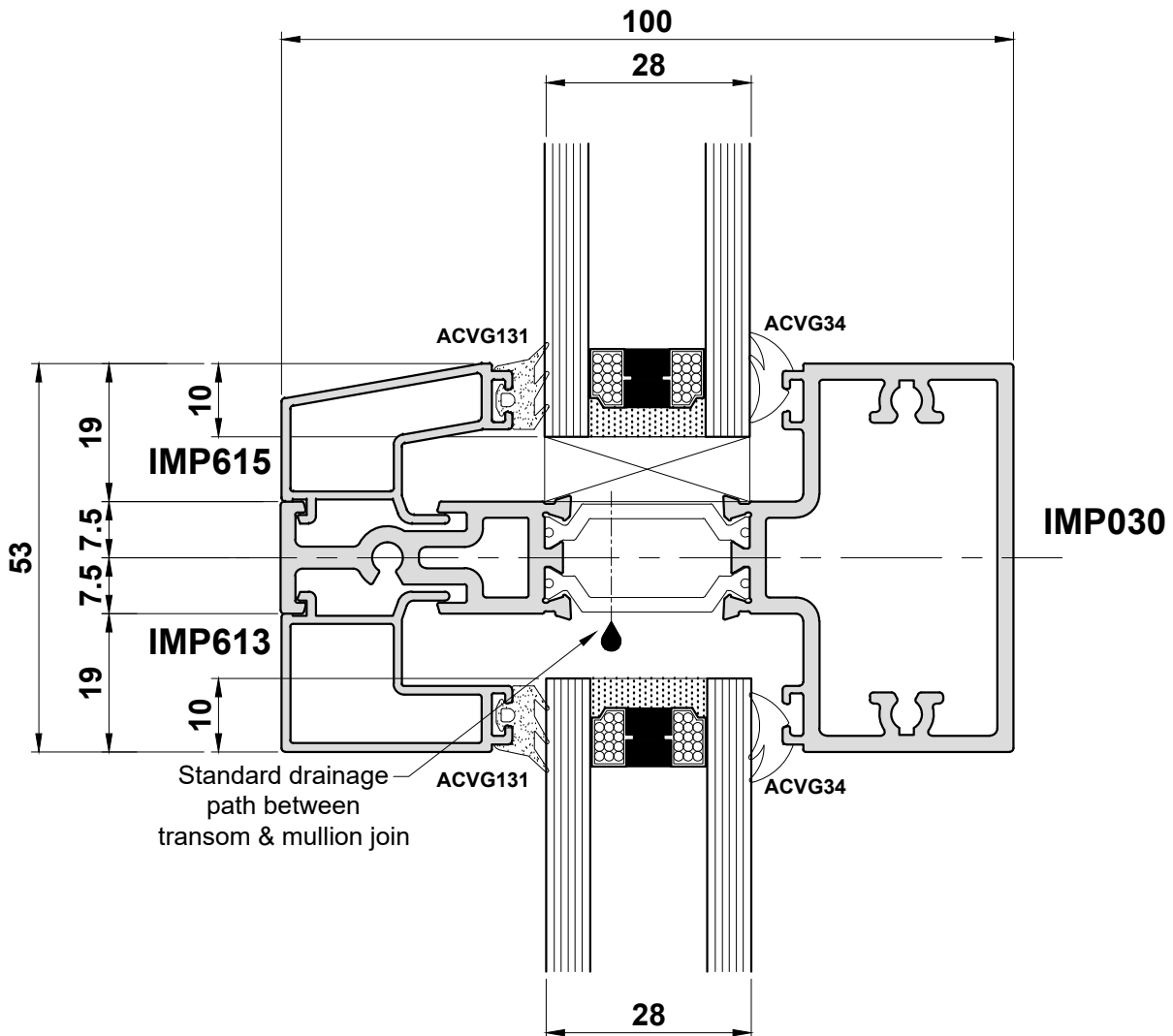
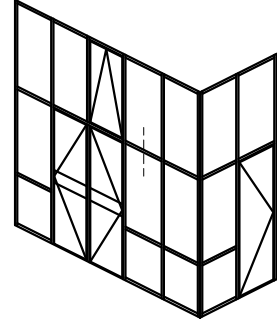
Do Not Scale From This Drawing

Detail 1B



Do Not Scale From This Drawing

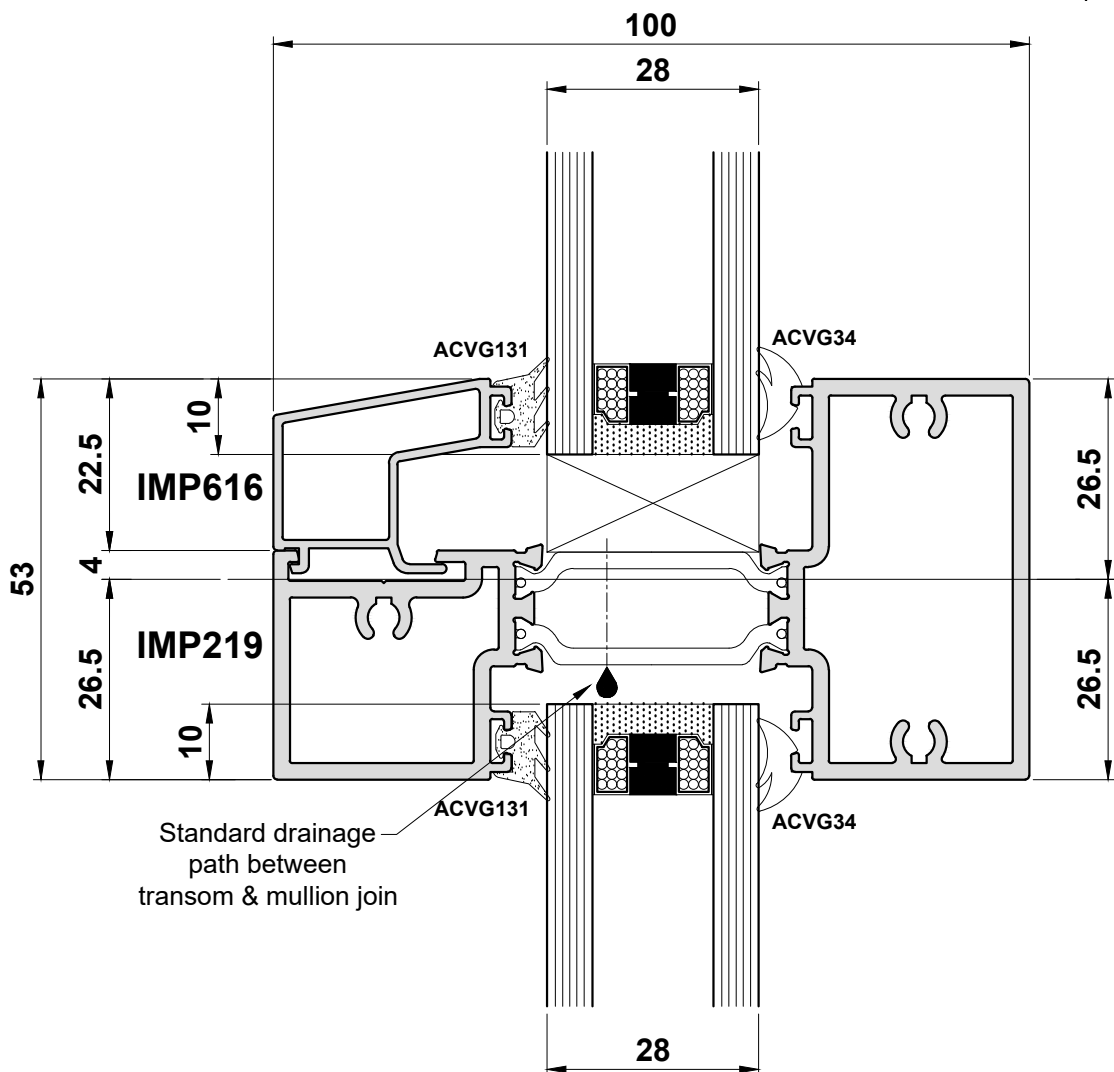
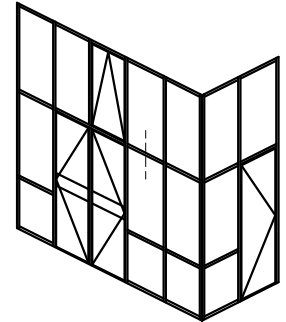
Detail 2A



Consider zone drainage for exposed locations or screens above 2400mm

Do Not Scale From This Drawing

Detail 2B

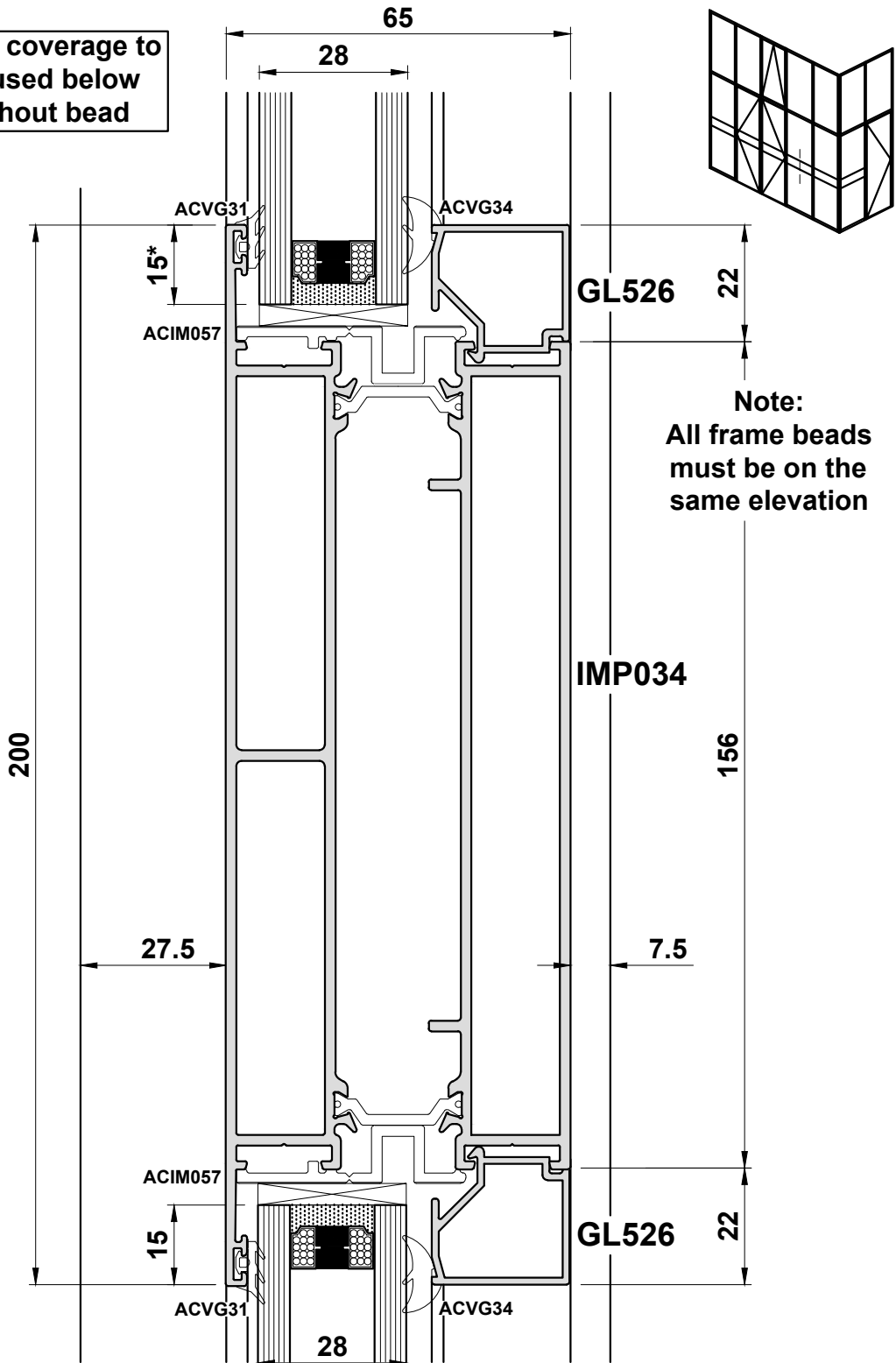


Consider zone drainage for exposed locations or screens above 2400mm

Do Not Scale From This Drawing

Detail 2C

*Reduce glass coverage to 9mm where used below transom without bead

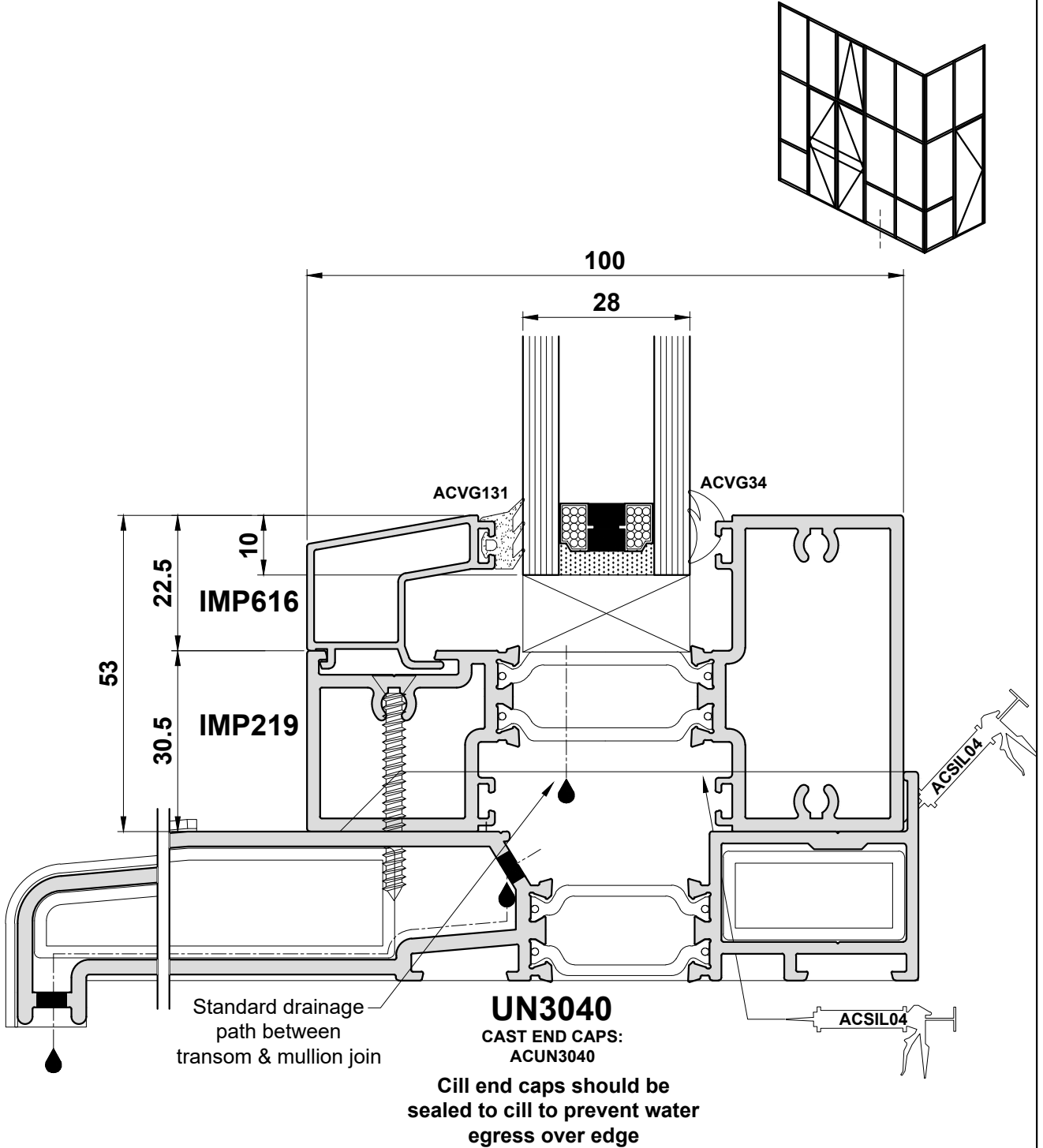


Note:
All frame beads
must be on the
same elevation

IMP034 can be fitted into fixed screens using ACIM025 brackets

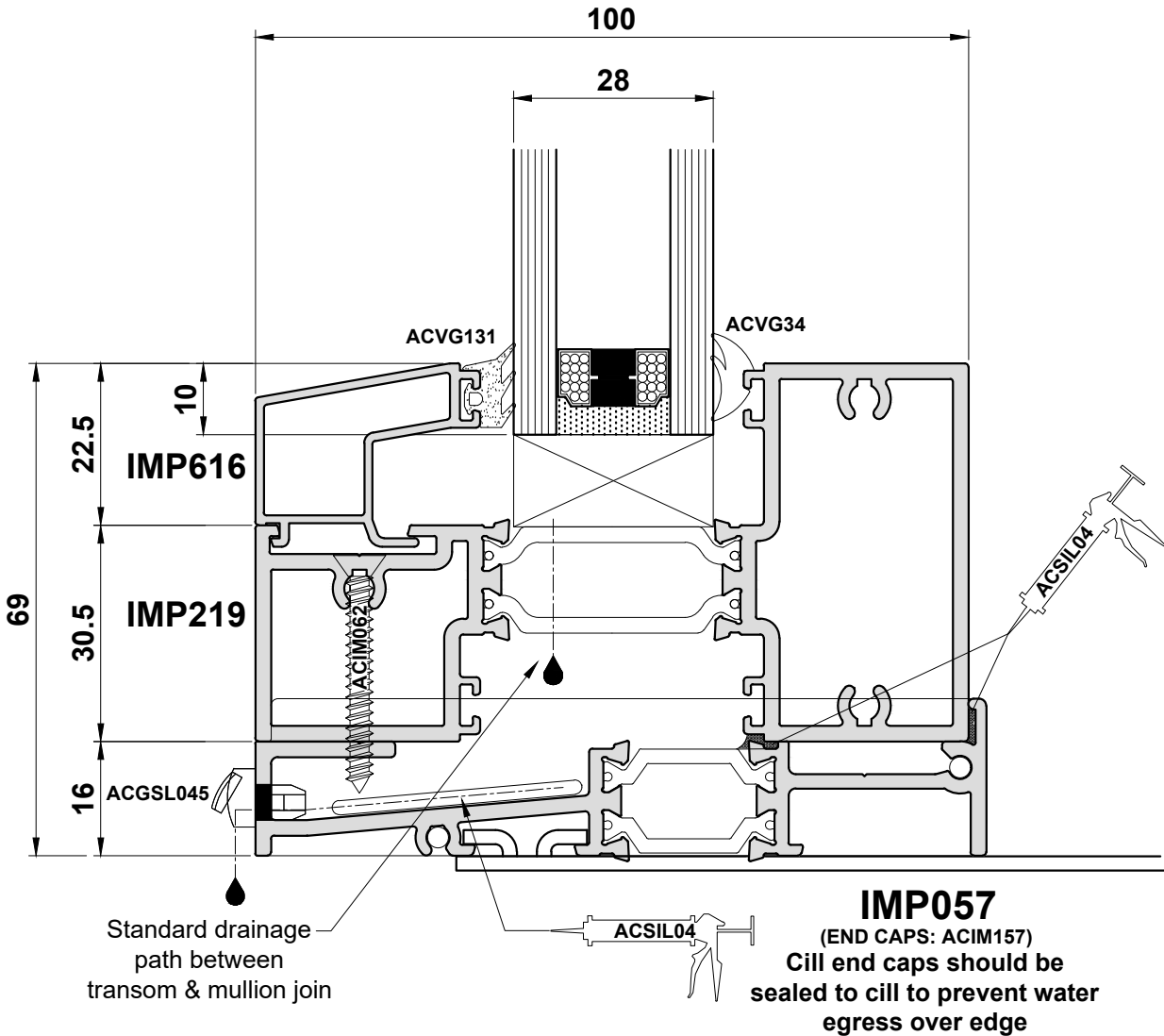
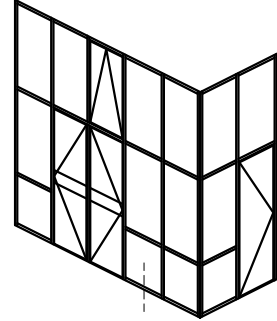
Do Not Scale From This Drawing

Detail 3A



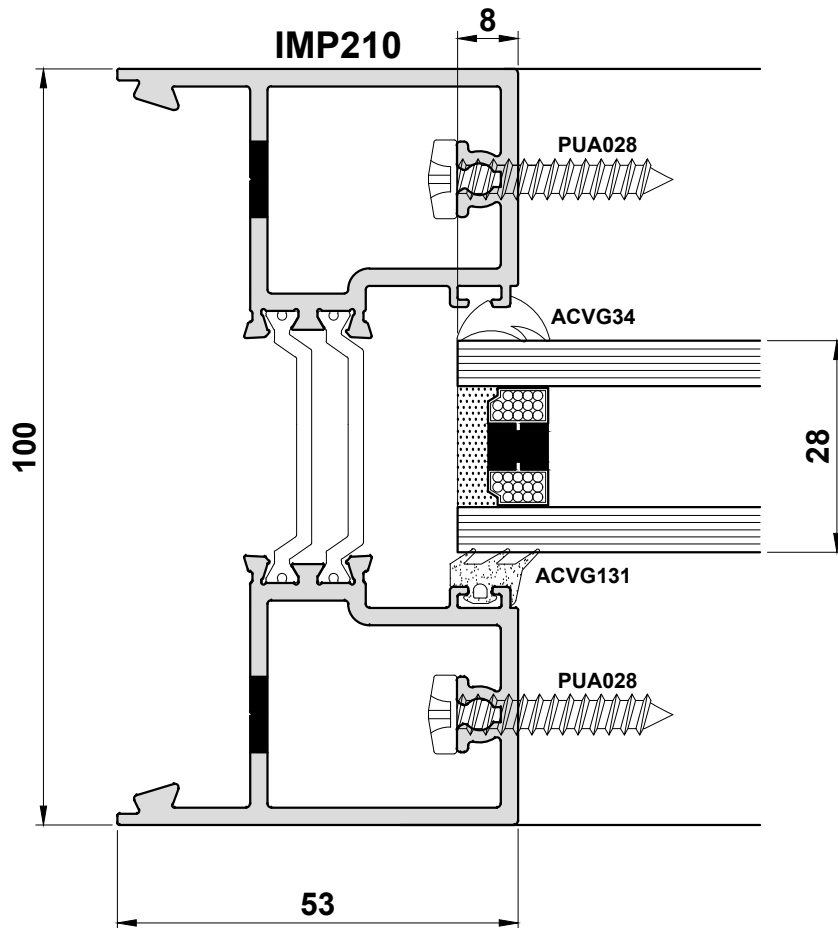
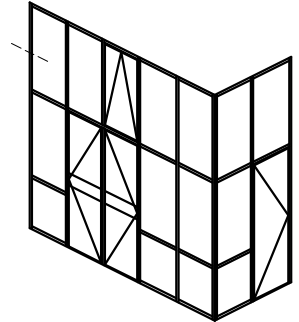
Do Not Scale From This Drawing

Detail 3B



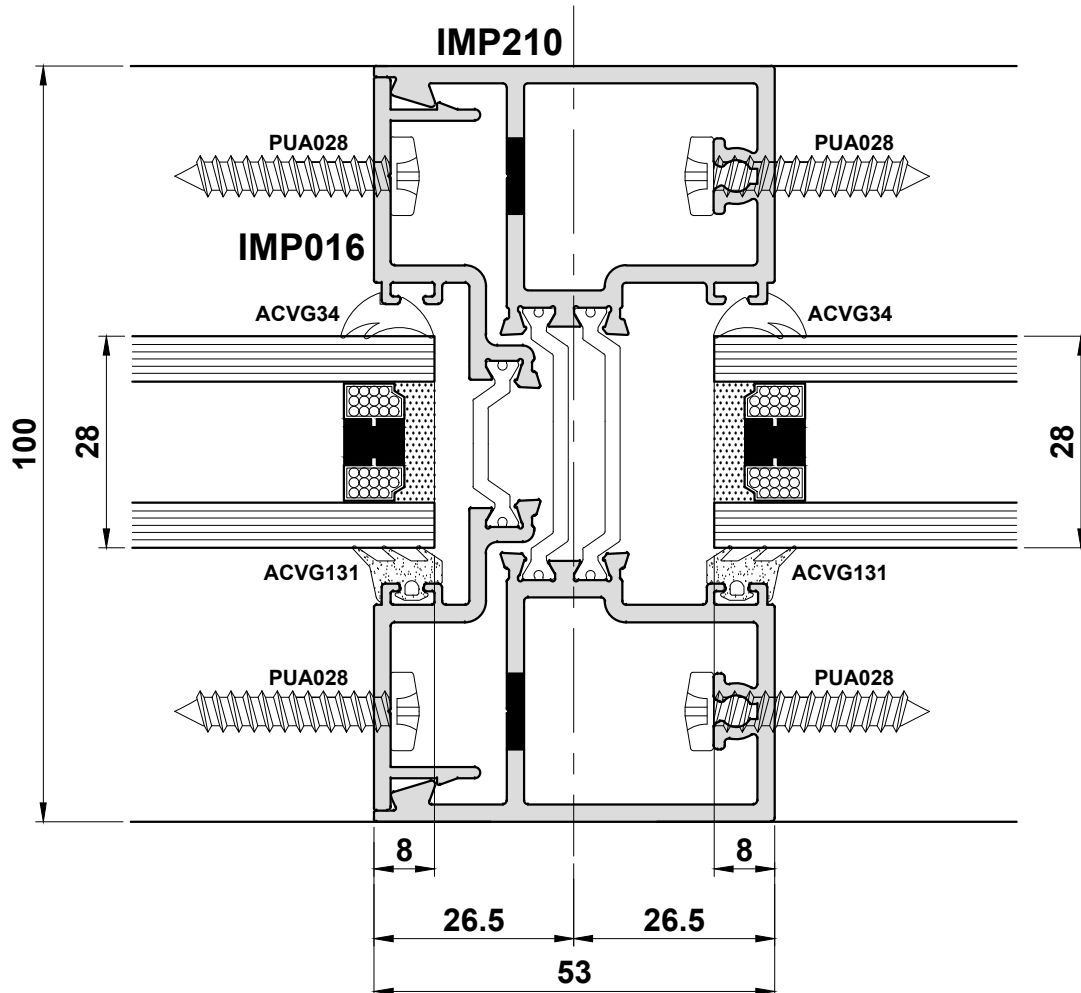
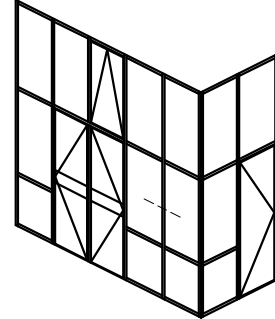
Do Not Scale From This Drawing

Detail 4



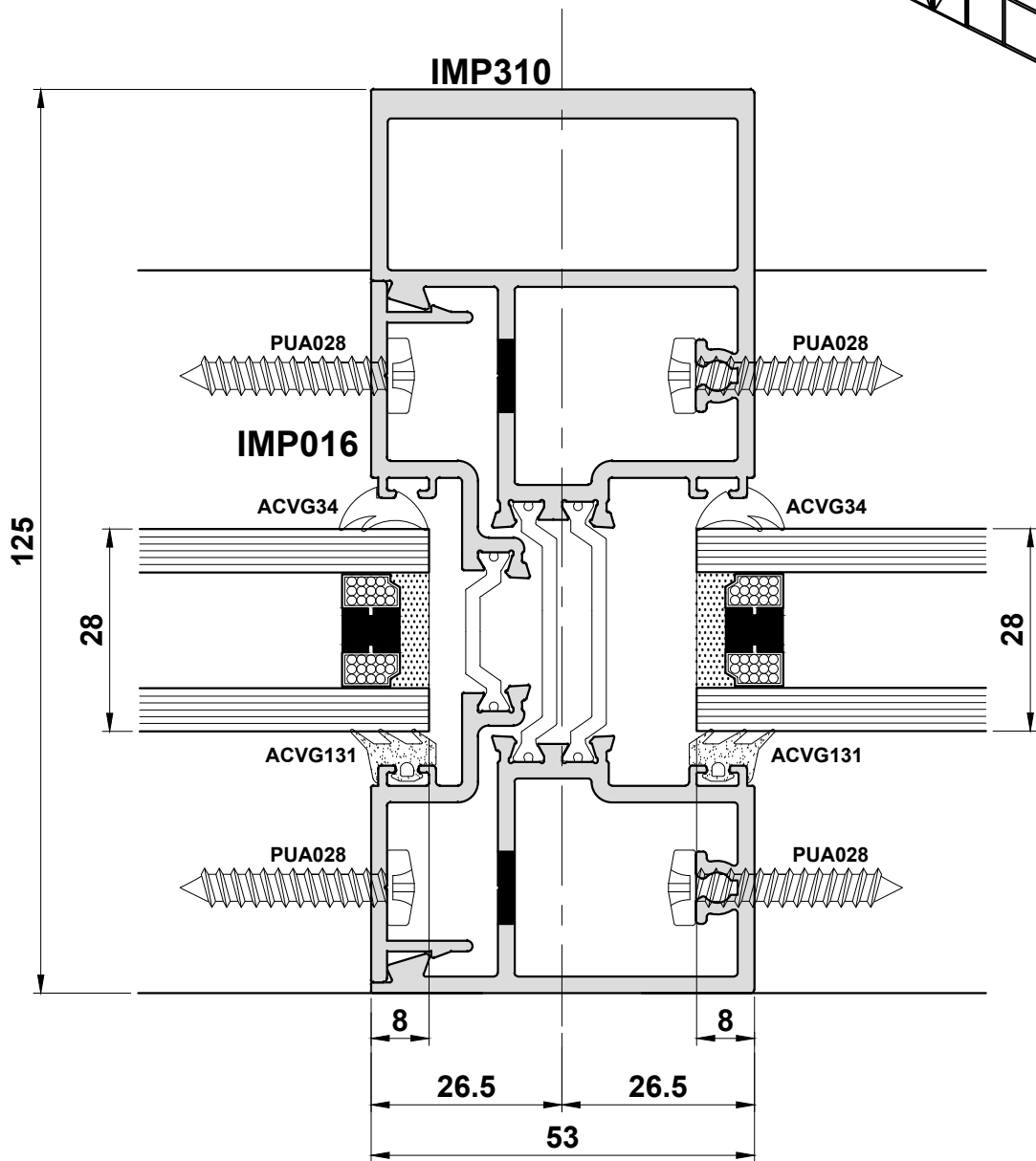
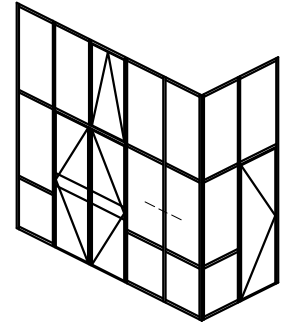
Do Not Scale From This Drawing

Detail 5A



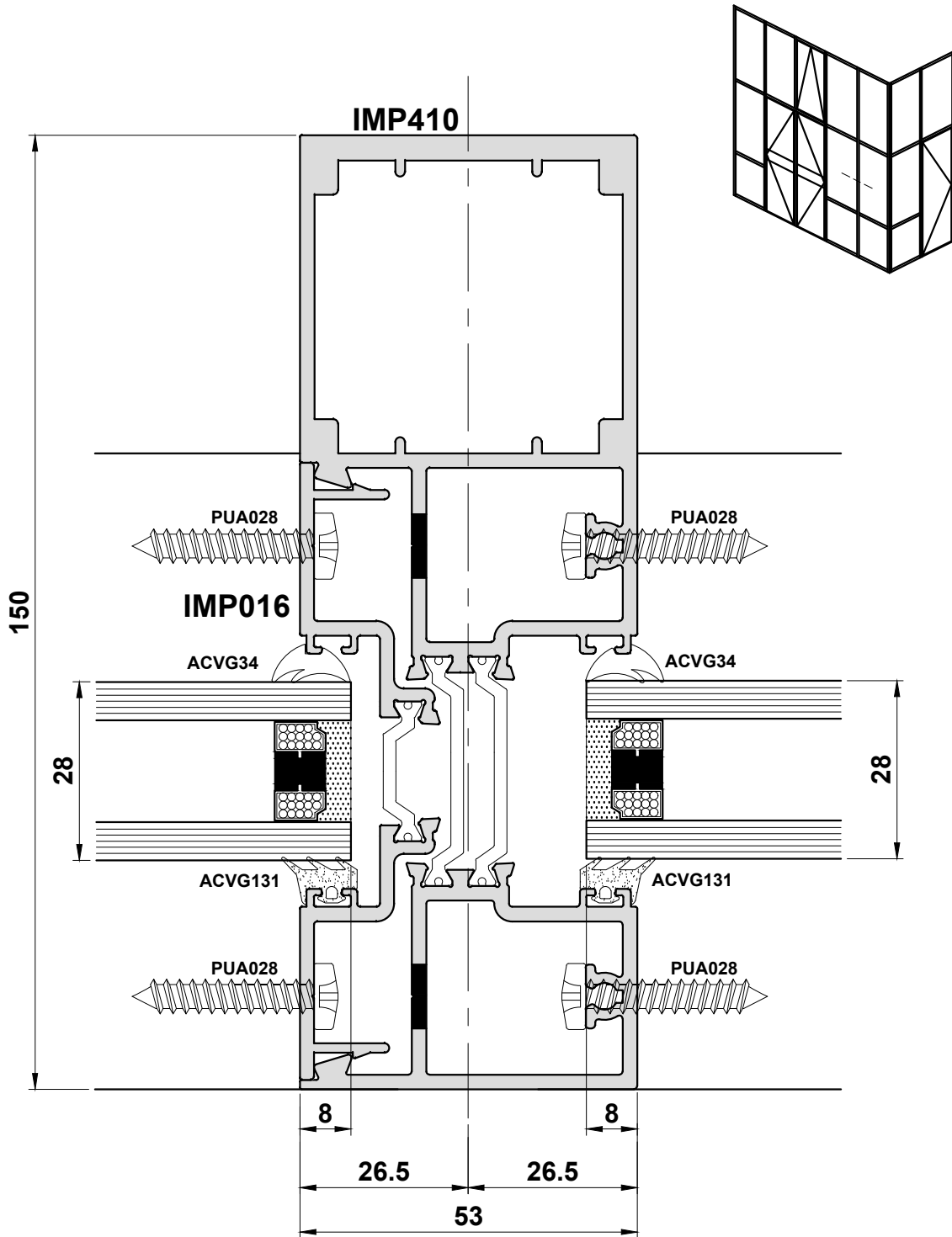
Do Not Scale From This Drawing

Detail 5B



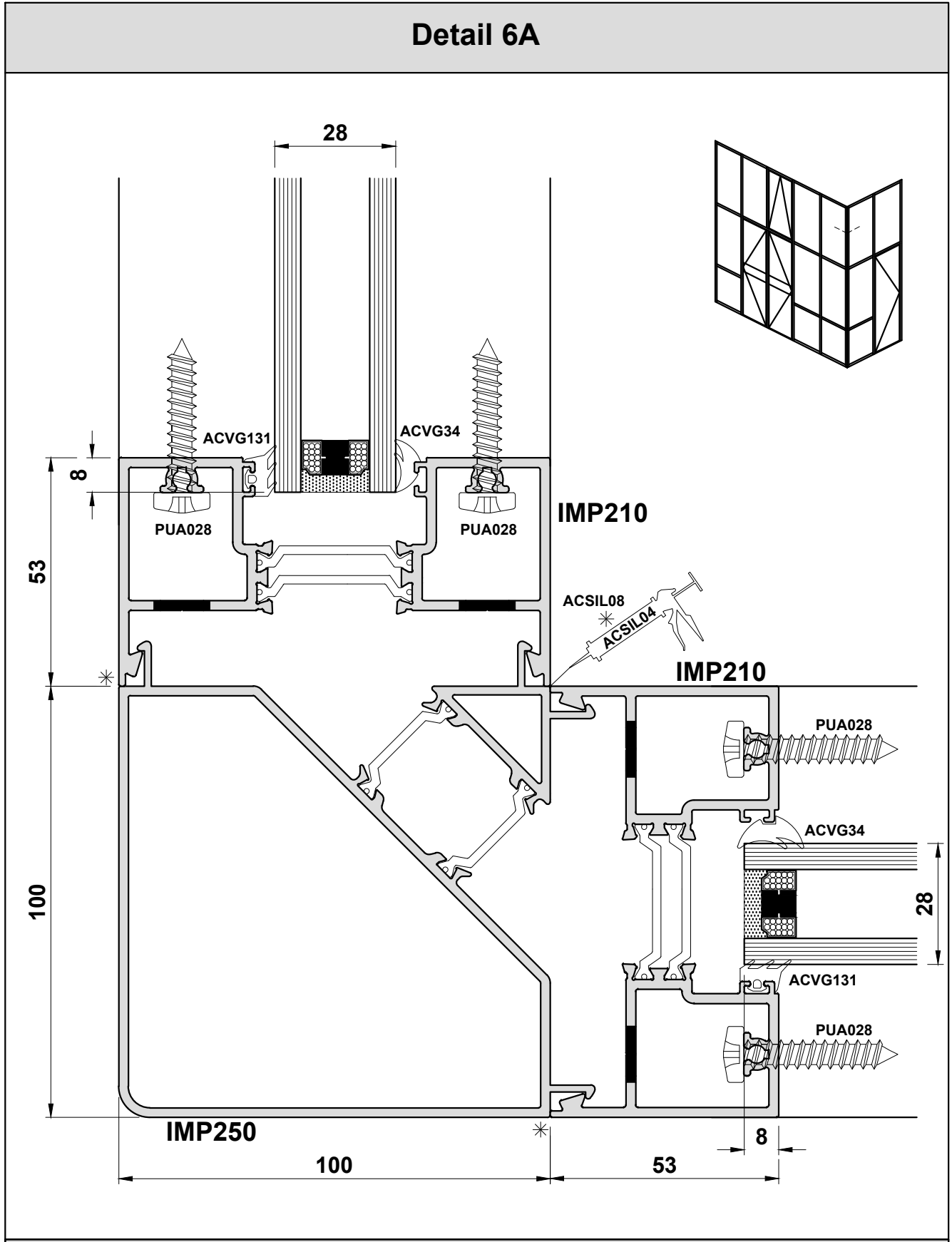
Do Not Scale From This Drawing

Detail 5C



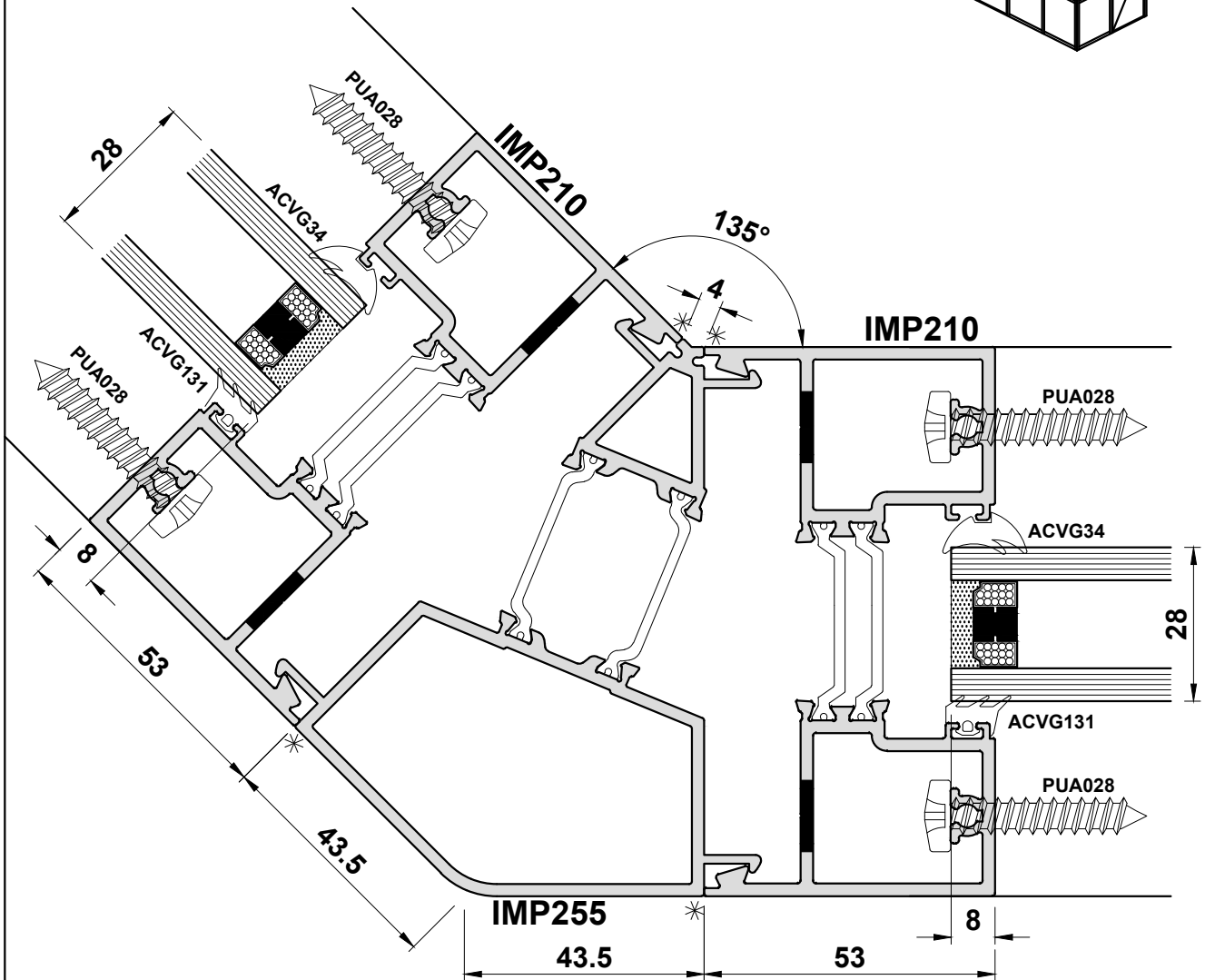
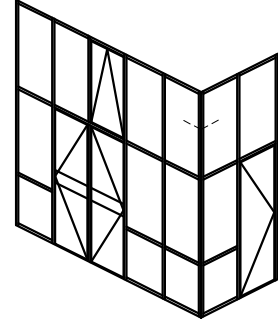
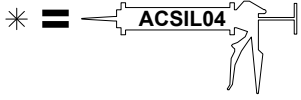
Do Not Scale From This Drawing

Detail 6A



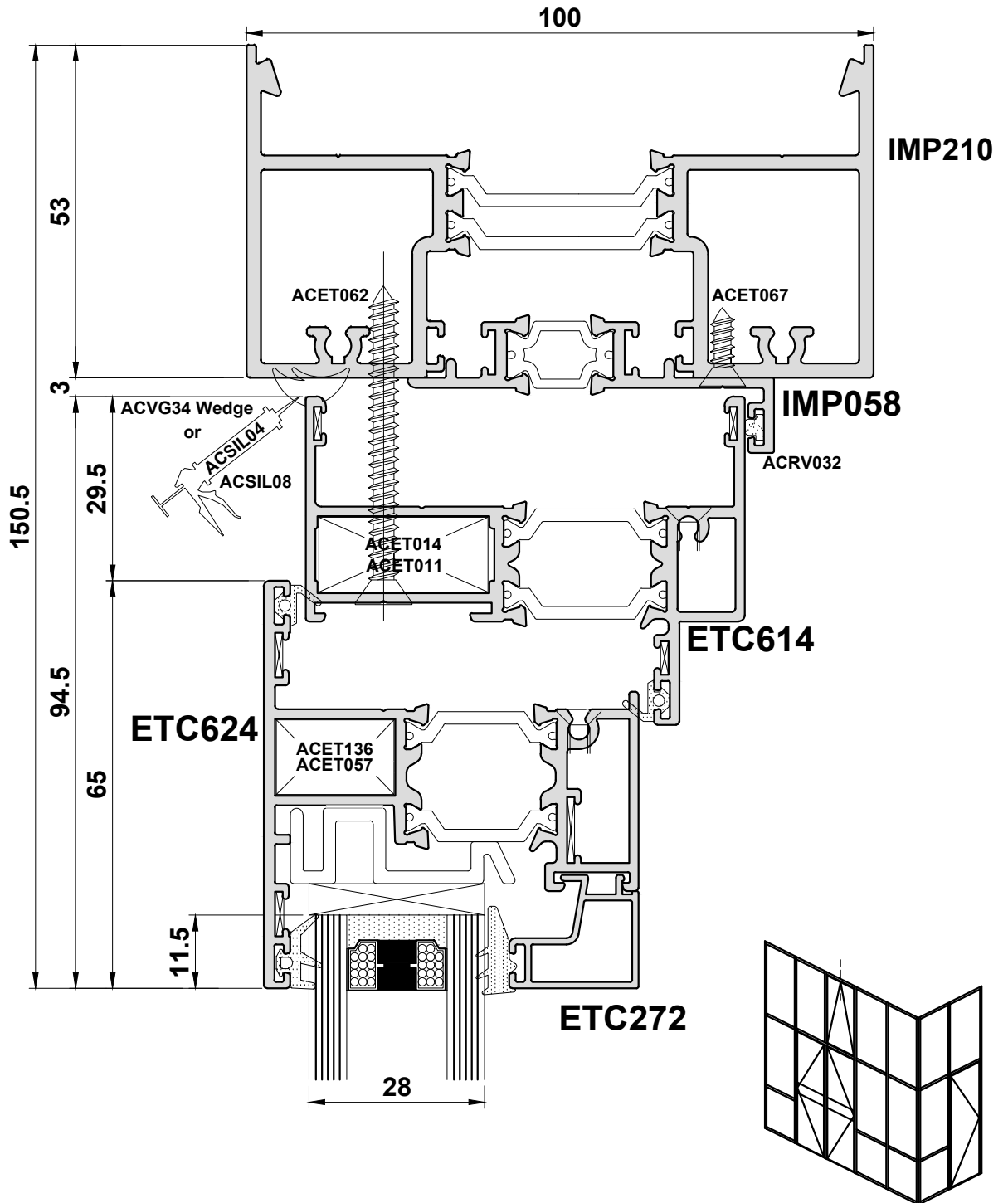
Do Not Scale From This Drawing

Detail 6B



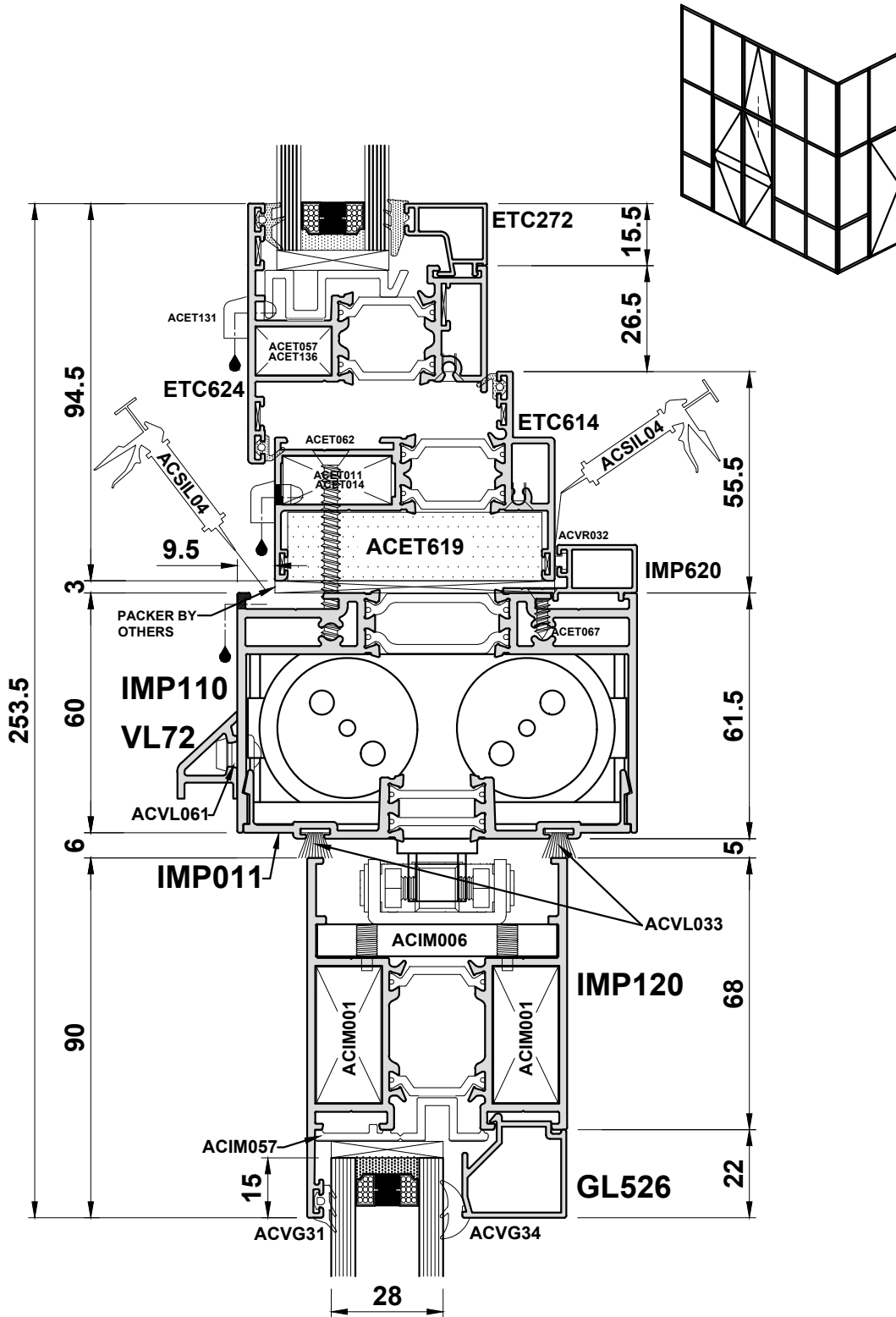
Do Not Scale From This Drawing

Detail 7



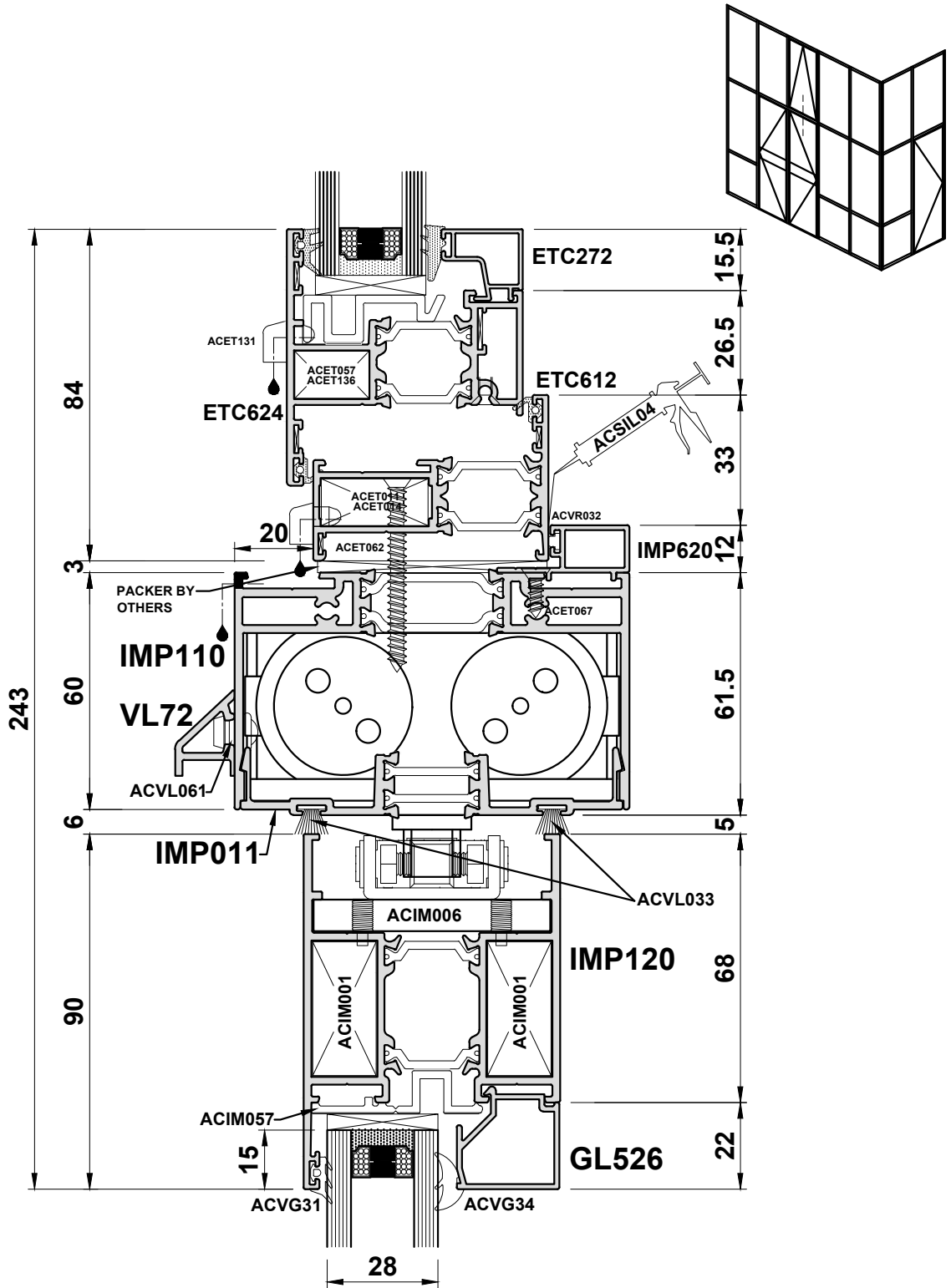
Do Not Scale From This Drawing

Detail 8A



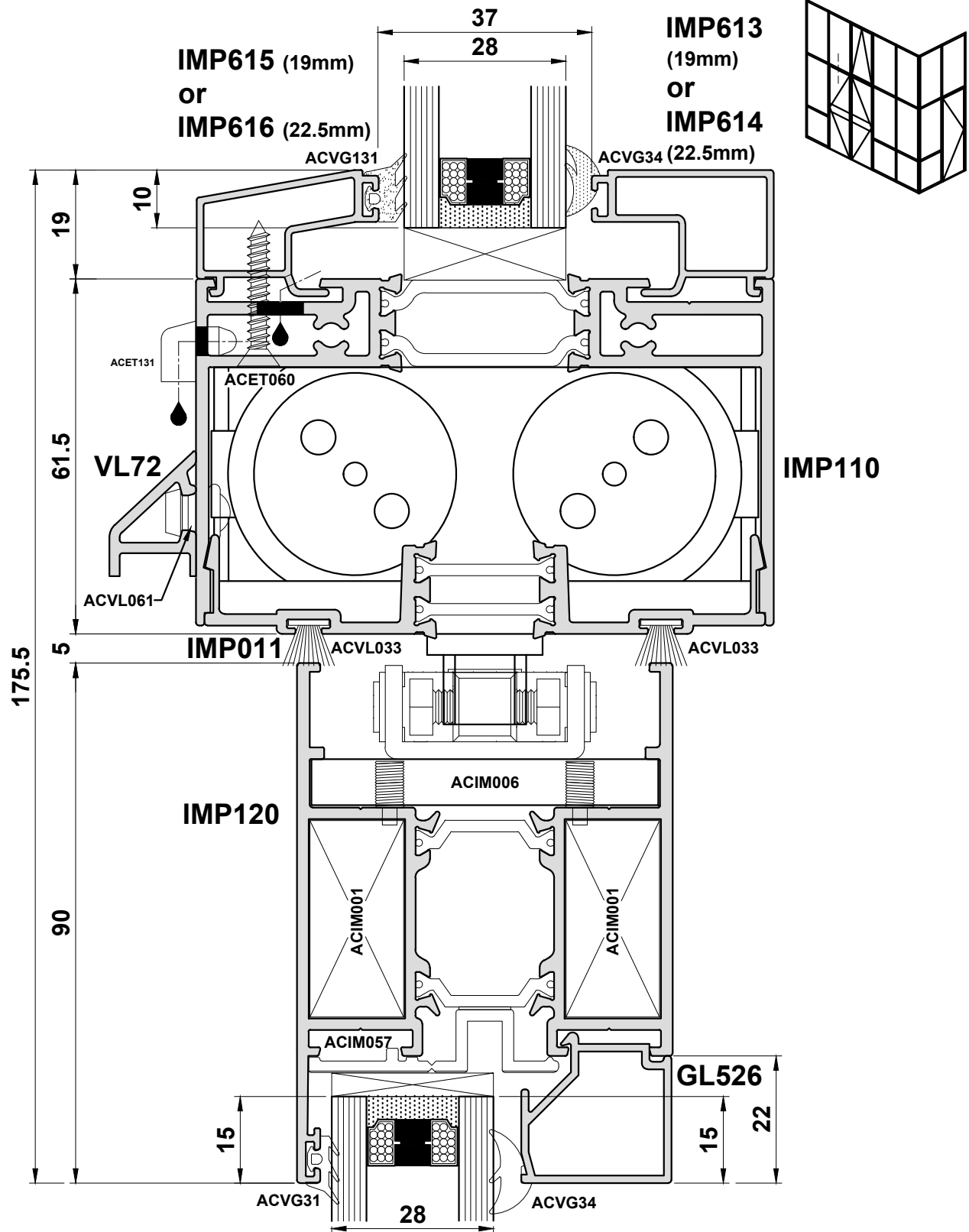
Do Not Scale From This Drawing

Detail 8B



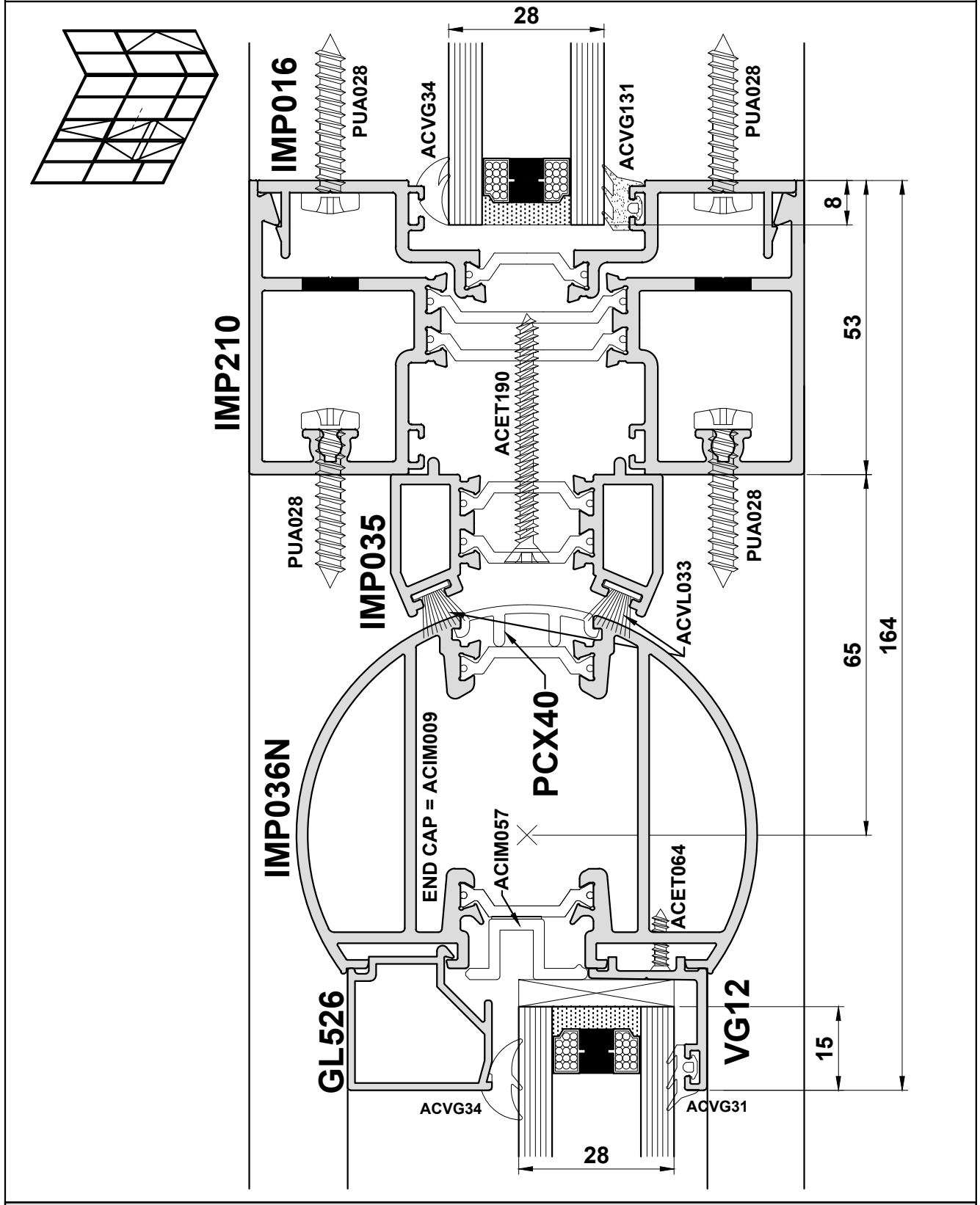
Do Not Scale From This Drawing

Detail 9



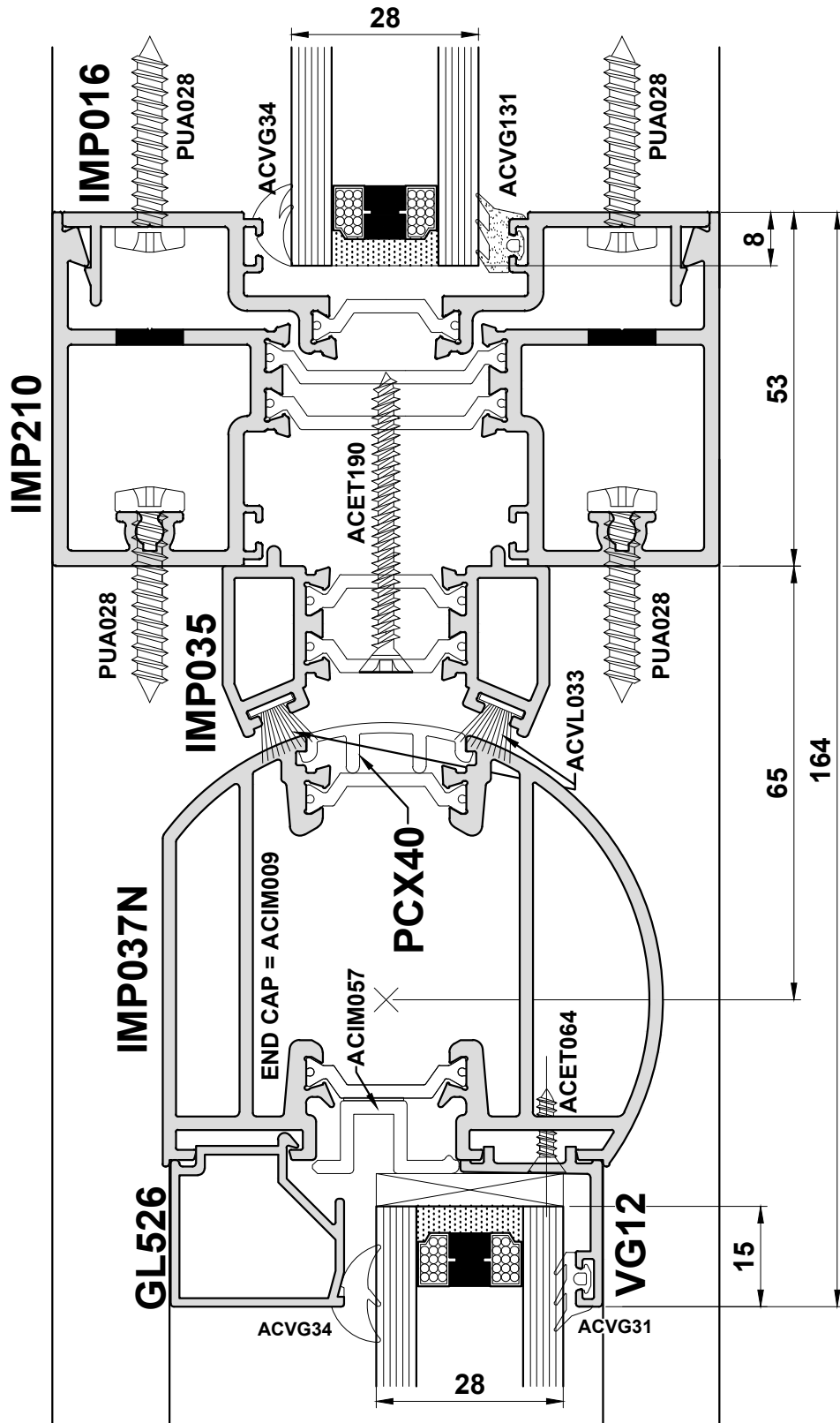
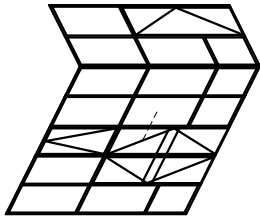
Do Not Scale From This Drawing

Detail 10A



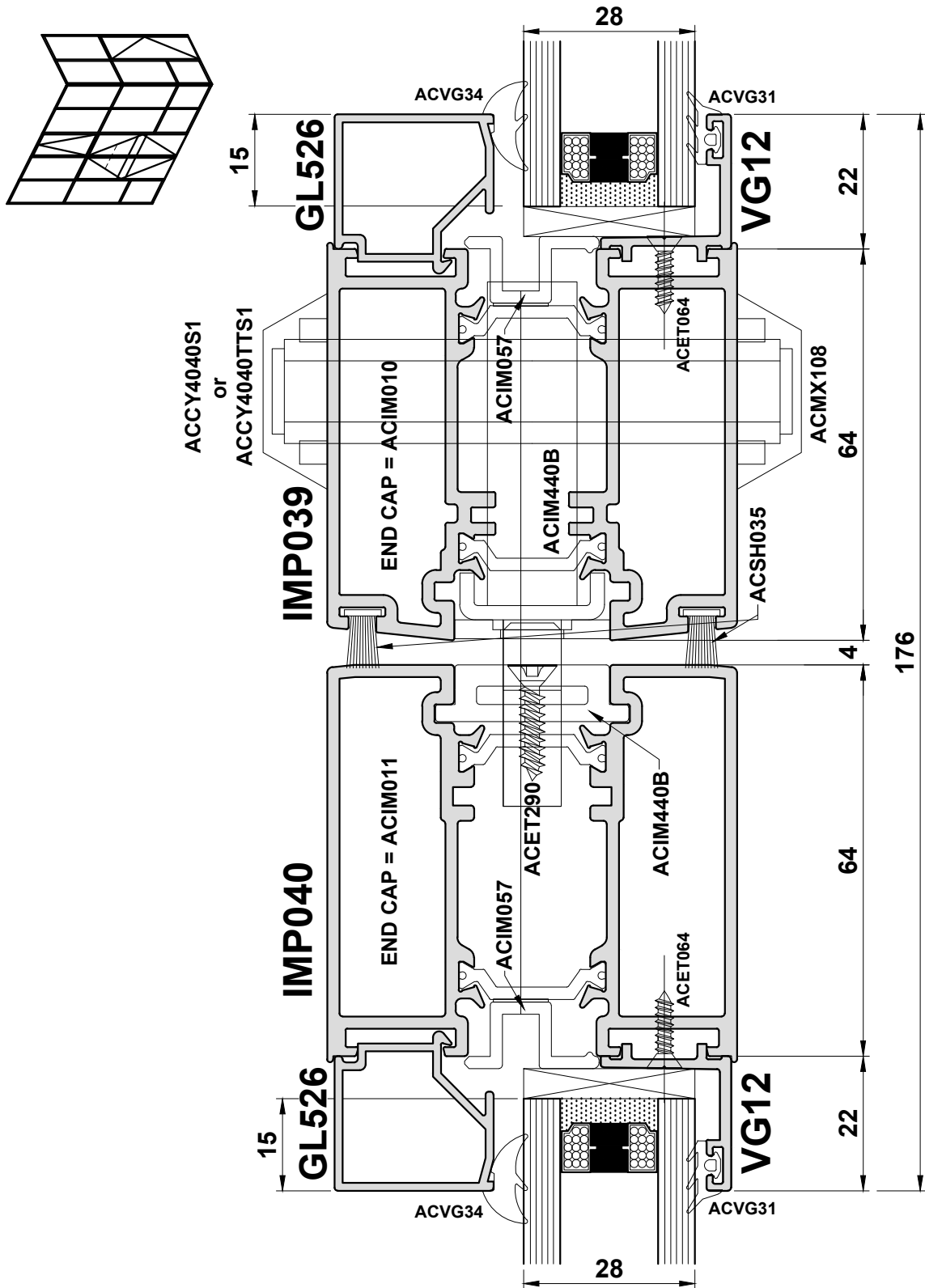
Do Not Scale From This Drawing

Detail 10B



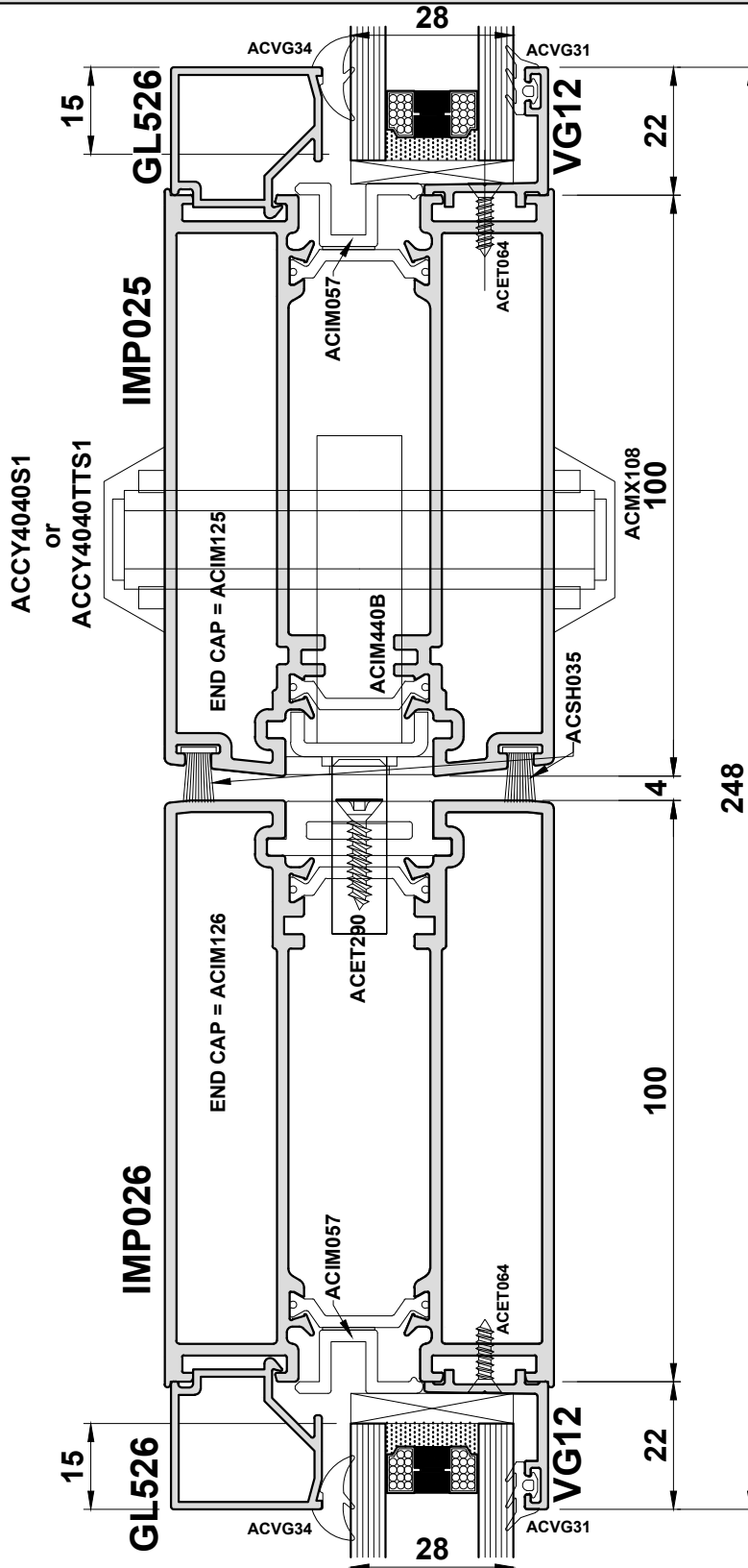
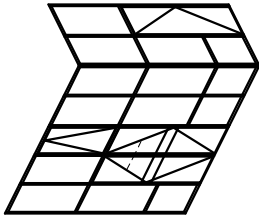
Do Not Scale From This Drawing

Detail 11A



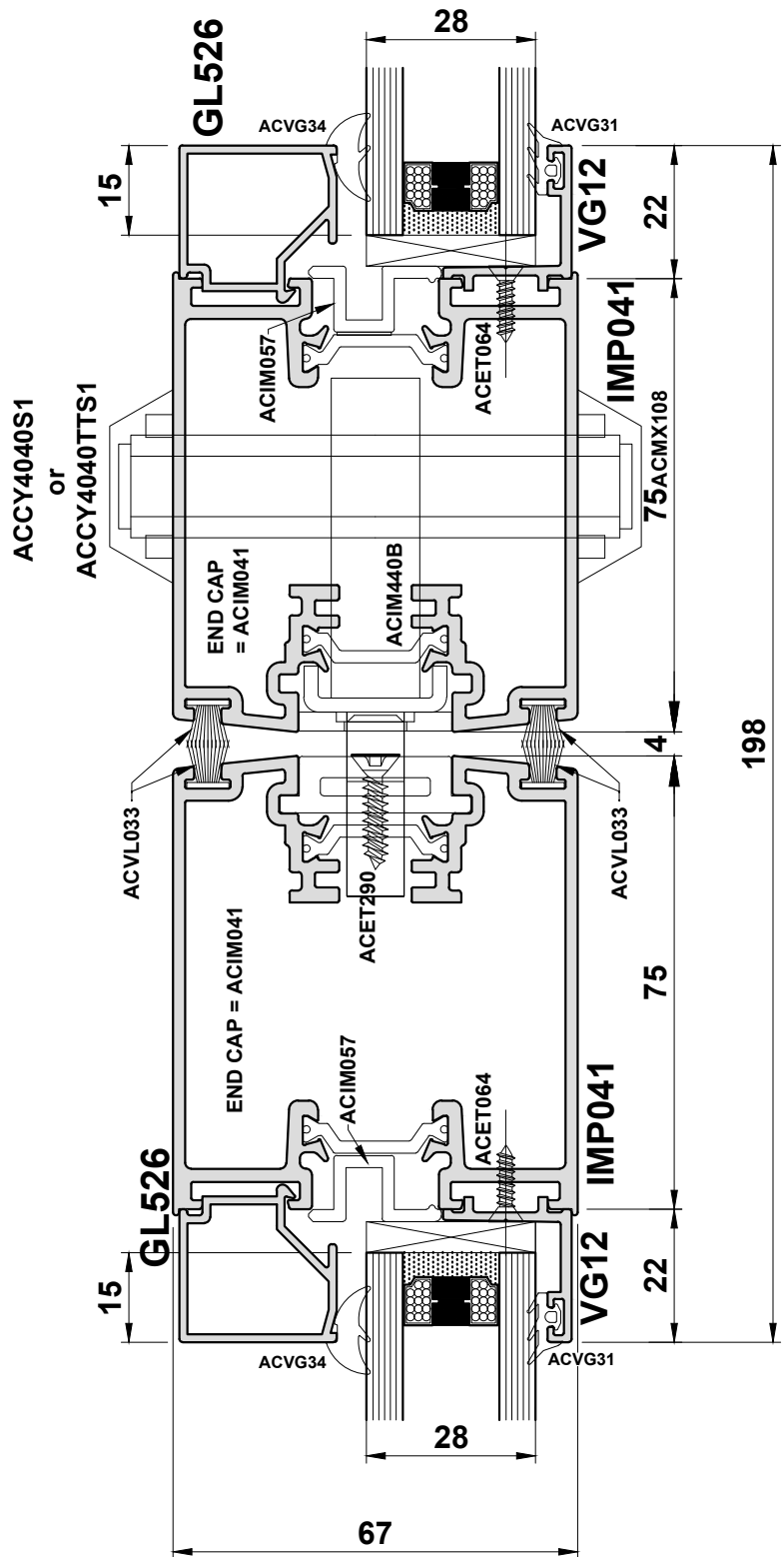
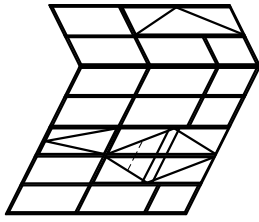
Do Not Scale From This Drawing

Detail 11B



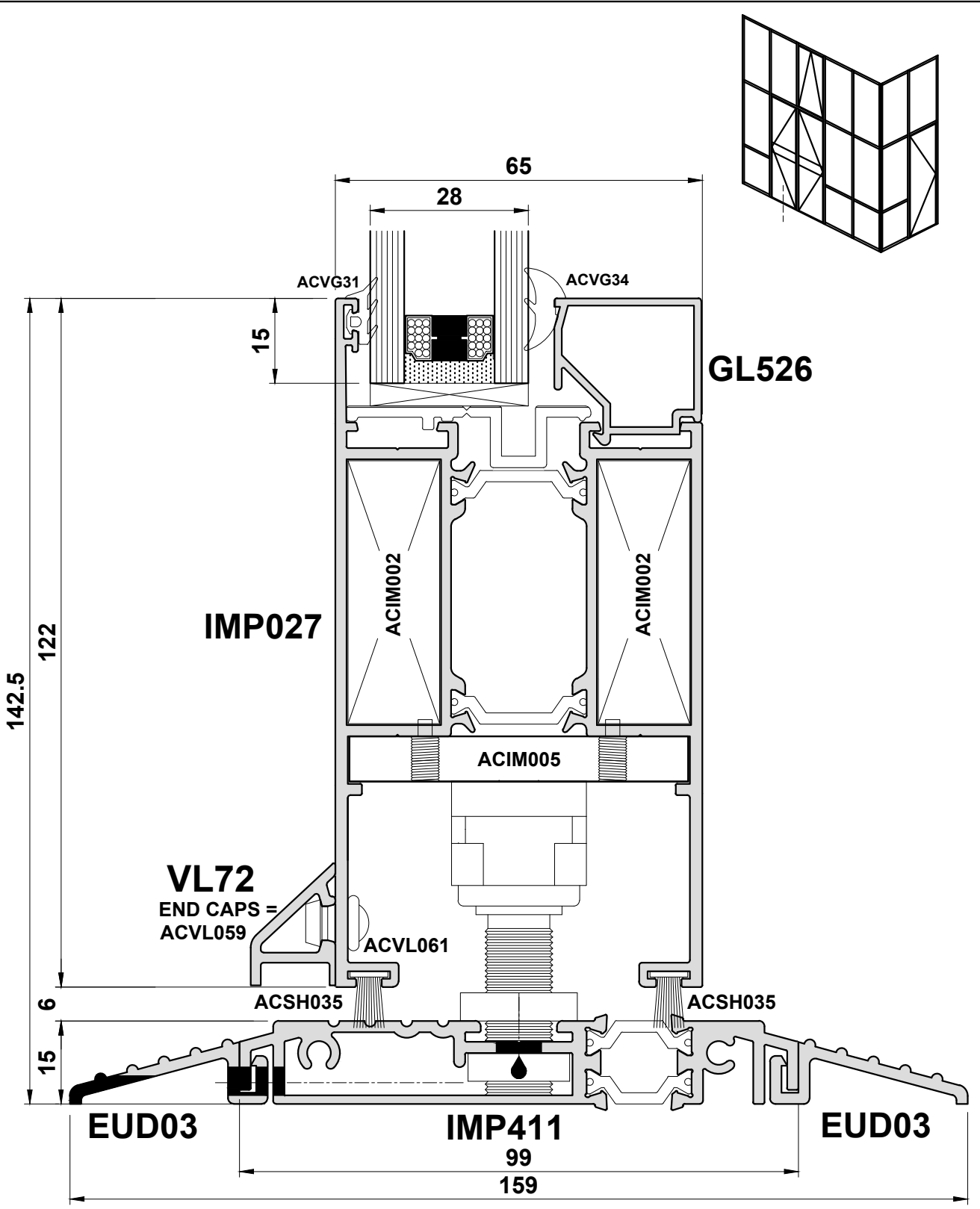
Do Not Scale From This Drawing

Detail 11C

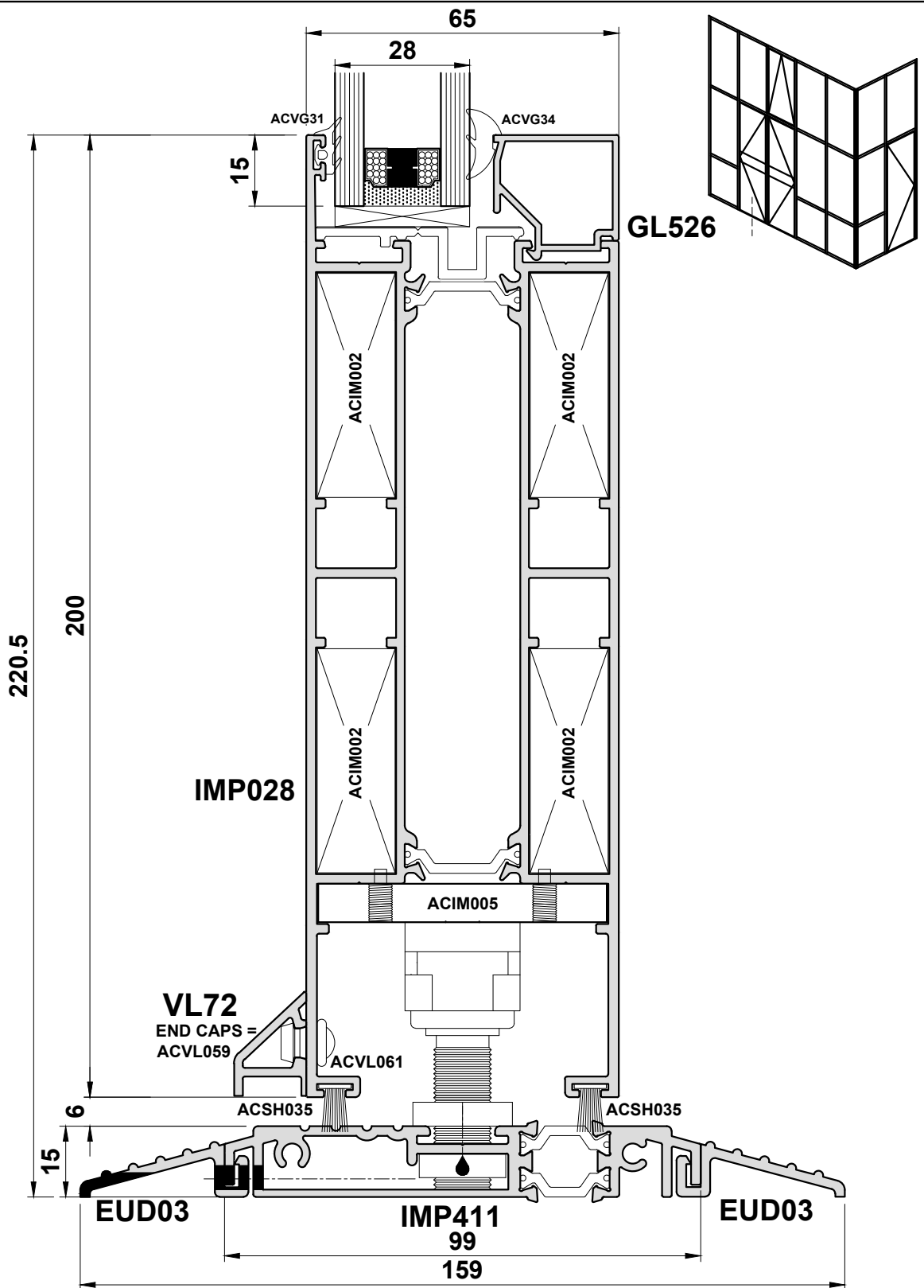


Do Not Scale From This Drawing

Detail 12A

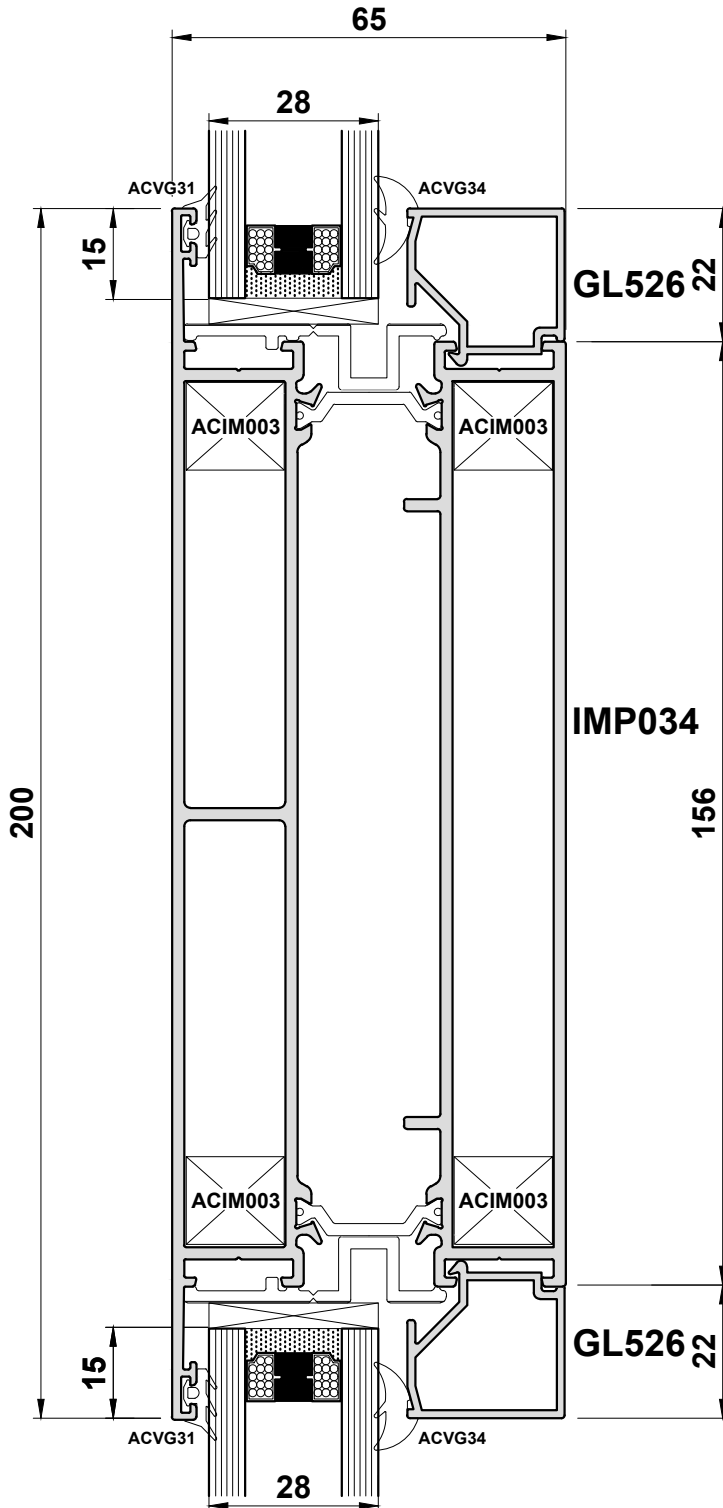


Detail 12B



Do Not Scale From This Drawing

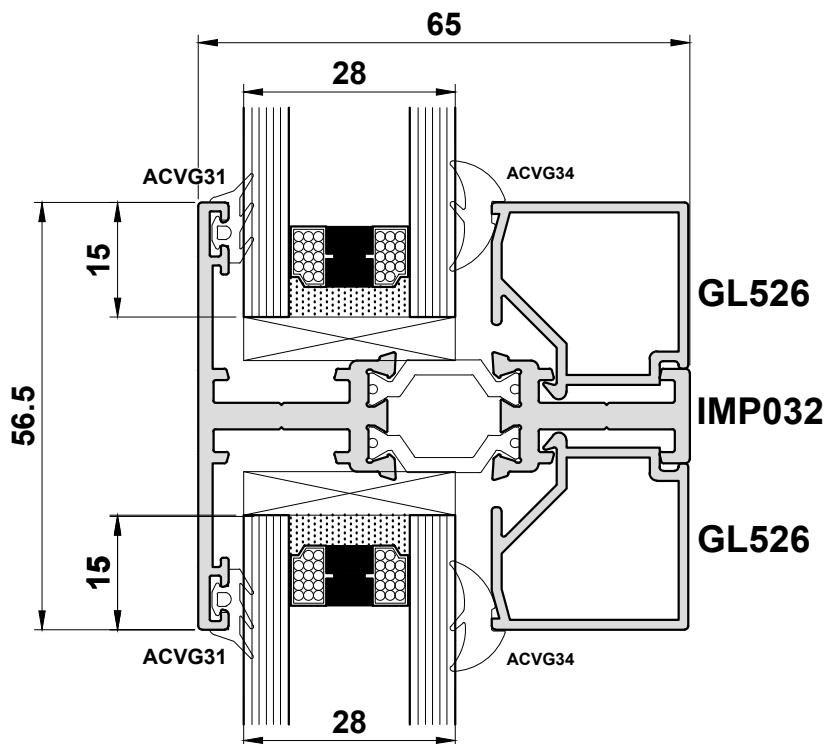
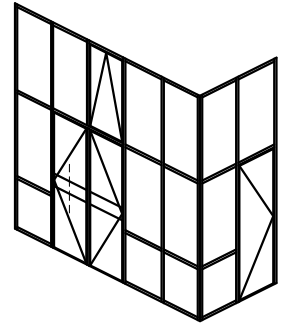
Detail 13A



IMP034 can be fitted into fixed screens using ACIM025 brackets
Please Note: Door rails are not compatible with IMP215.

Do Not Scale From This Drawing

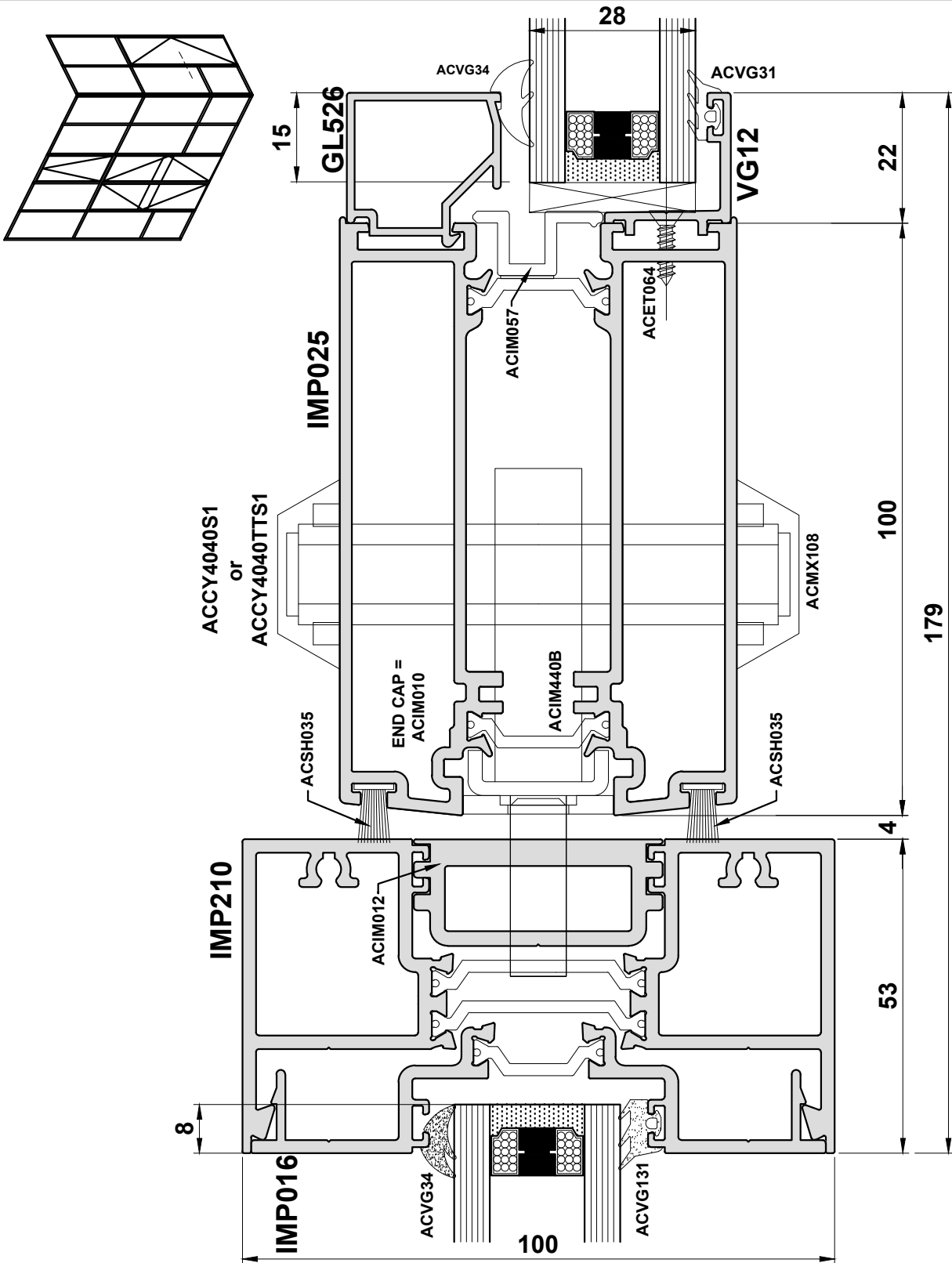
Detail 13B



Brackets = ACIM032

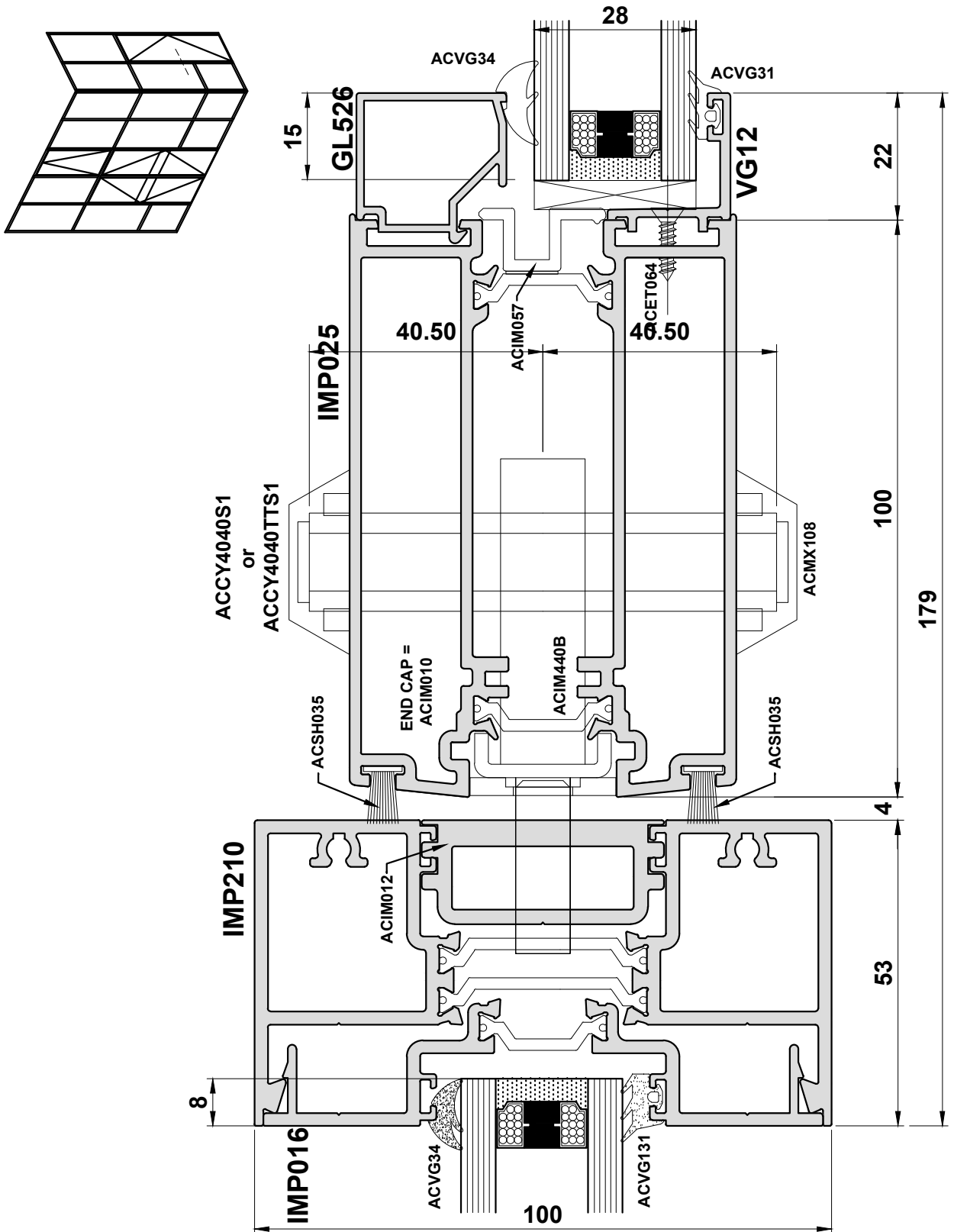
Do Not Scale From This Drawing

Detail 14A



Do Not Scale From This Drawing

Detail 14B

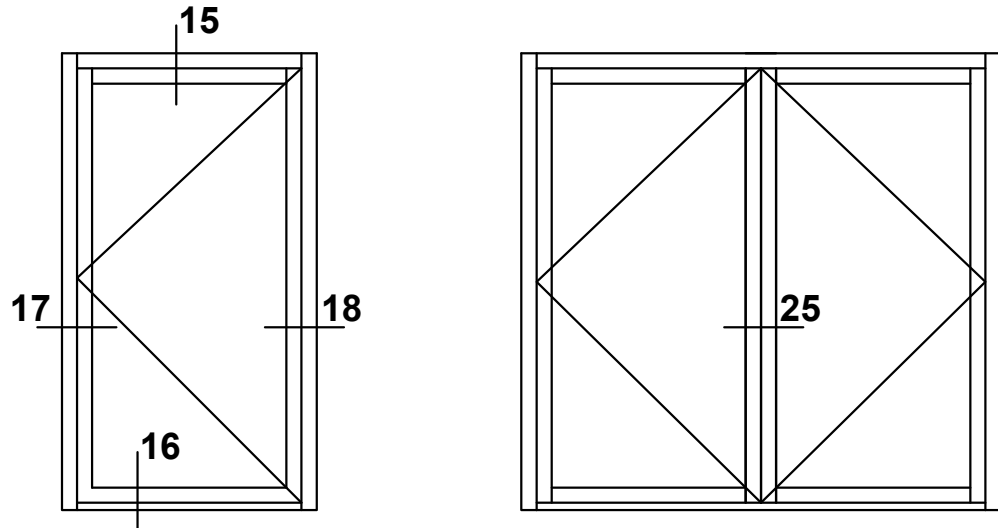


Do Not Scale From This Drawing

This page is intentionally left blank

Do Not Scale From This Drawing

Rebated Doors - Hinged



Weight Limitations:

2 Hinges = 80kg

3 Hinges = 100kg

Please note that door closers increase the loading of the door and their rate of wear. When calculating the weight of the door, 20% should be added to allow for the impact of a door closer without back-check and 75% should be added when using a closer with back-check.

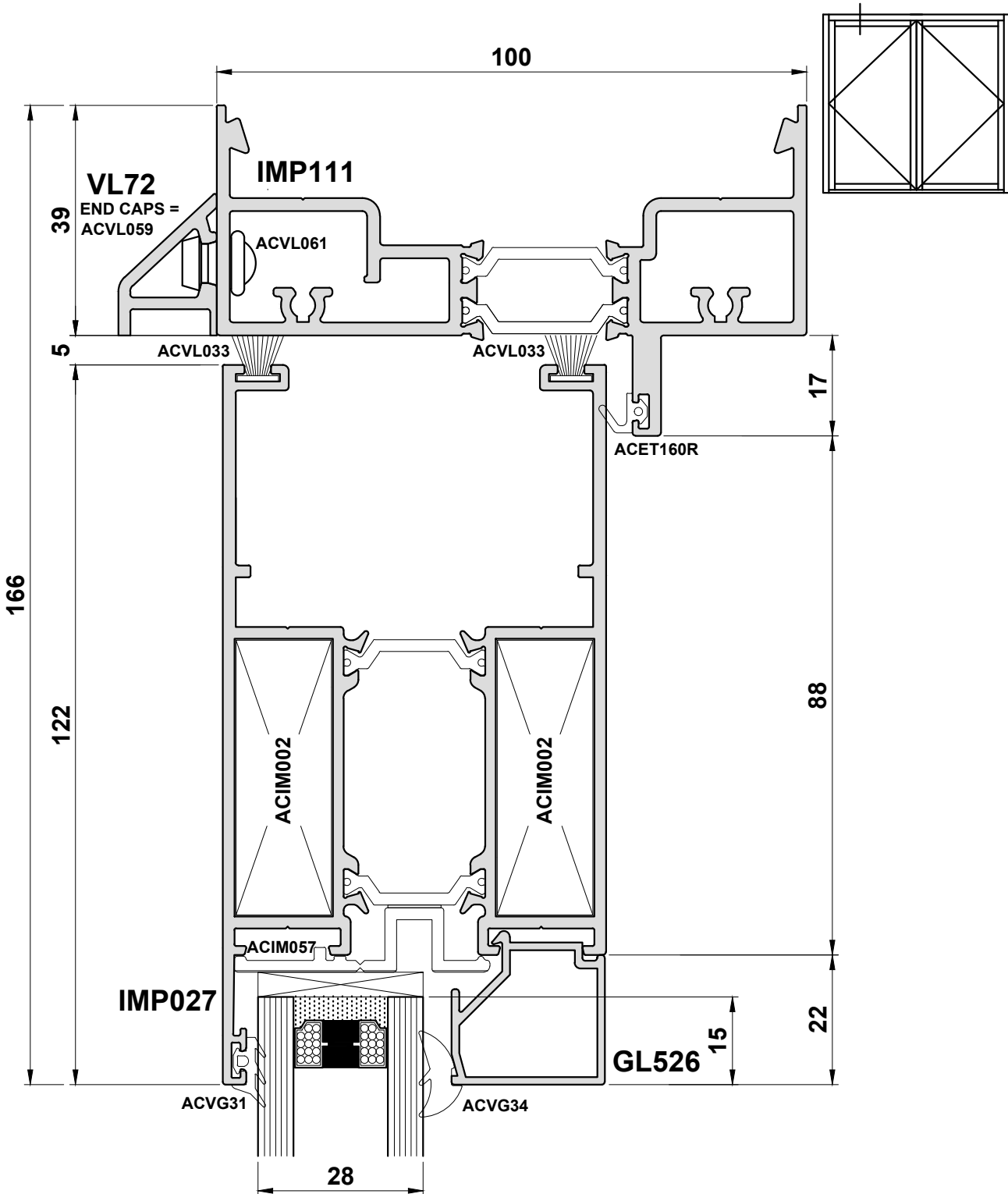
Example:

Door closer without back-check: $65\text{kg} + 20\% = 78\text{kg}$ (2 hinges)

Door closer with back-check: $55\text{kg} + 75\% = 96\text{kg}$ (3 hinges)

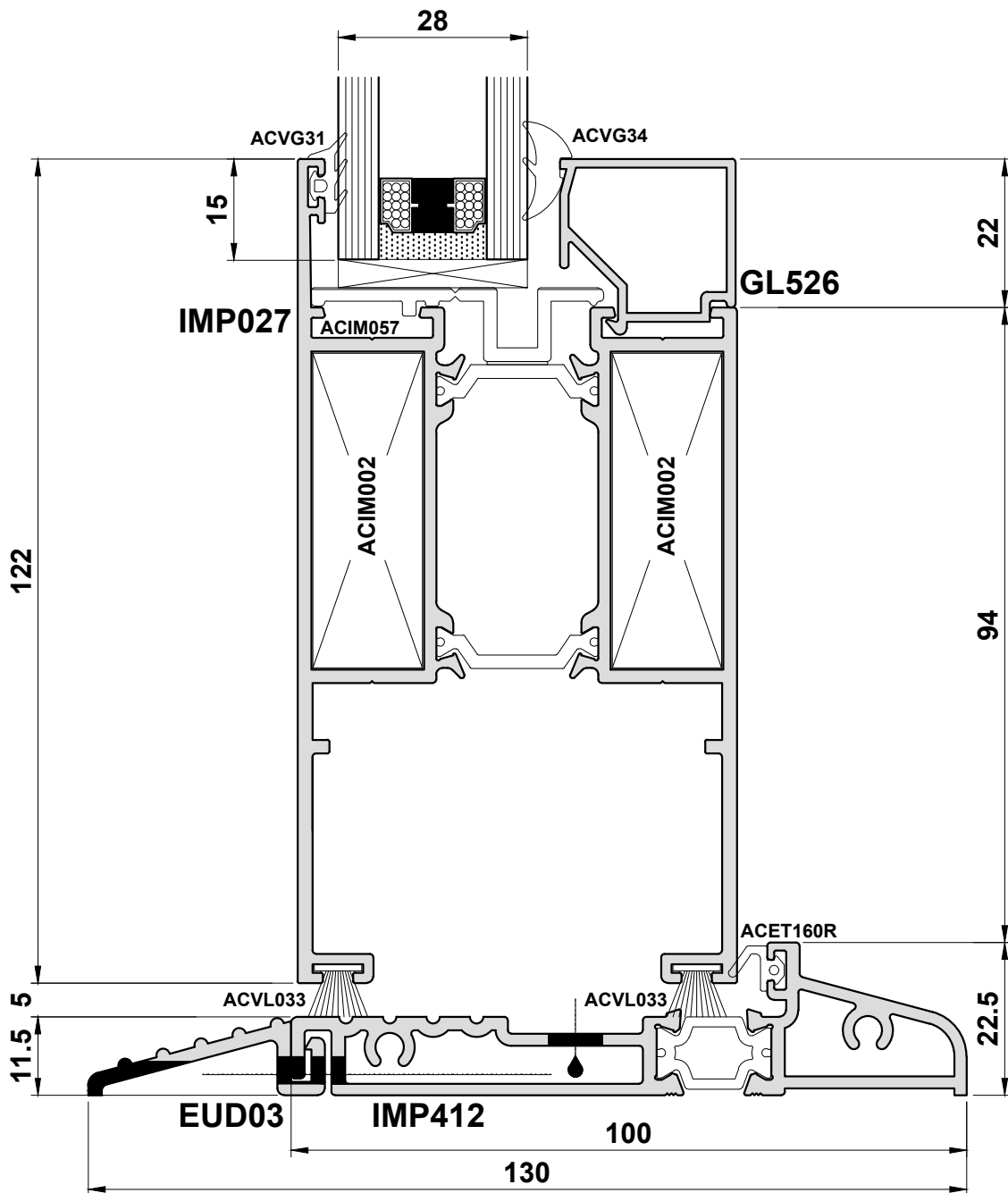
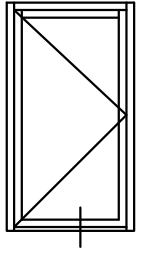
Do Not Scale From This Drawing

Detail 15



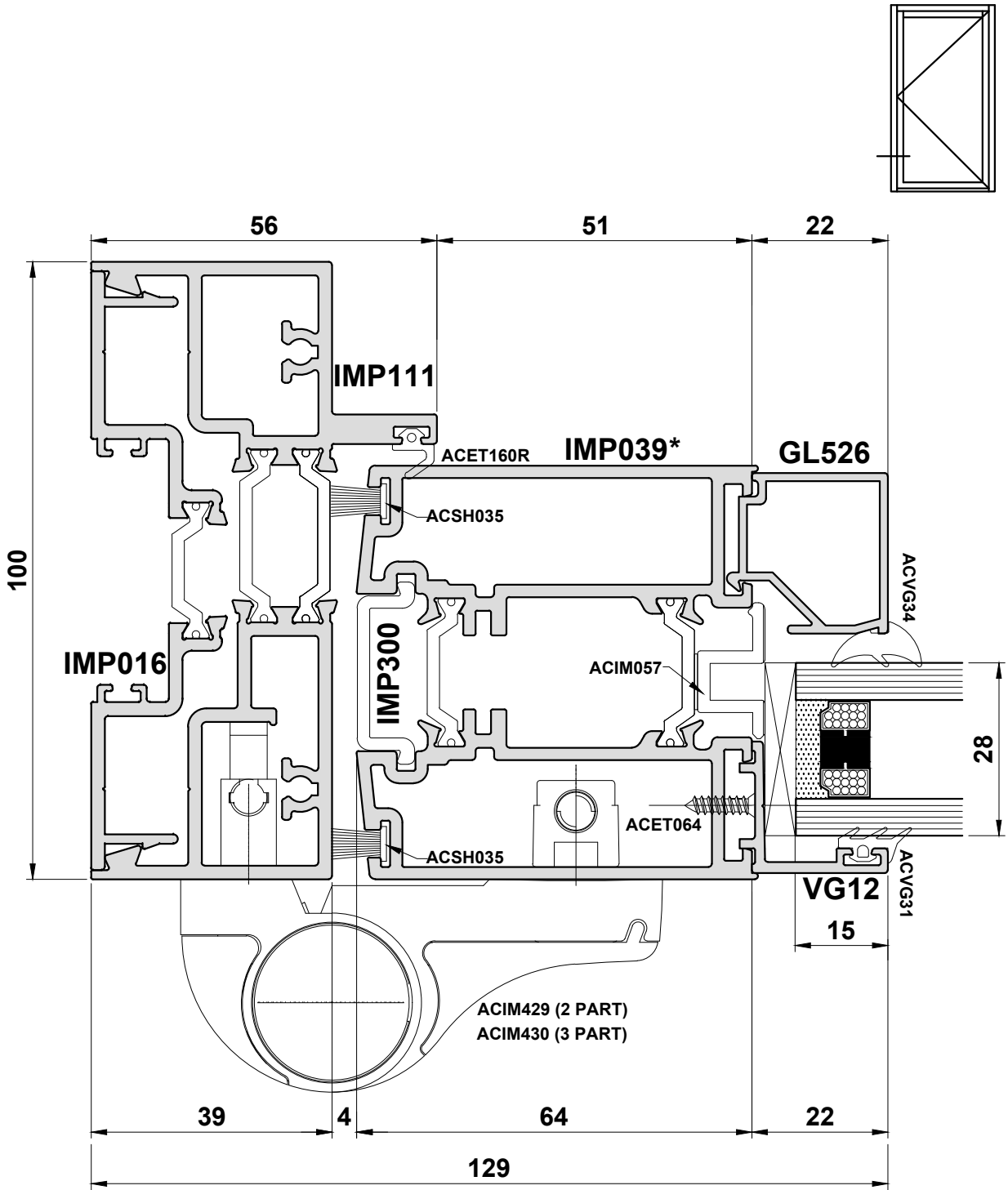
Do Not Scale From This Drawing

Detail 16



Do Not Scale From This Drawing

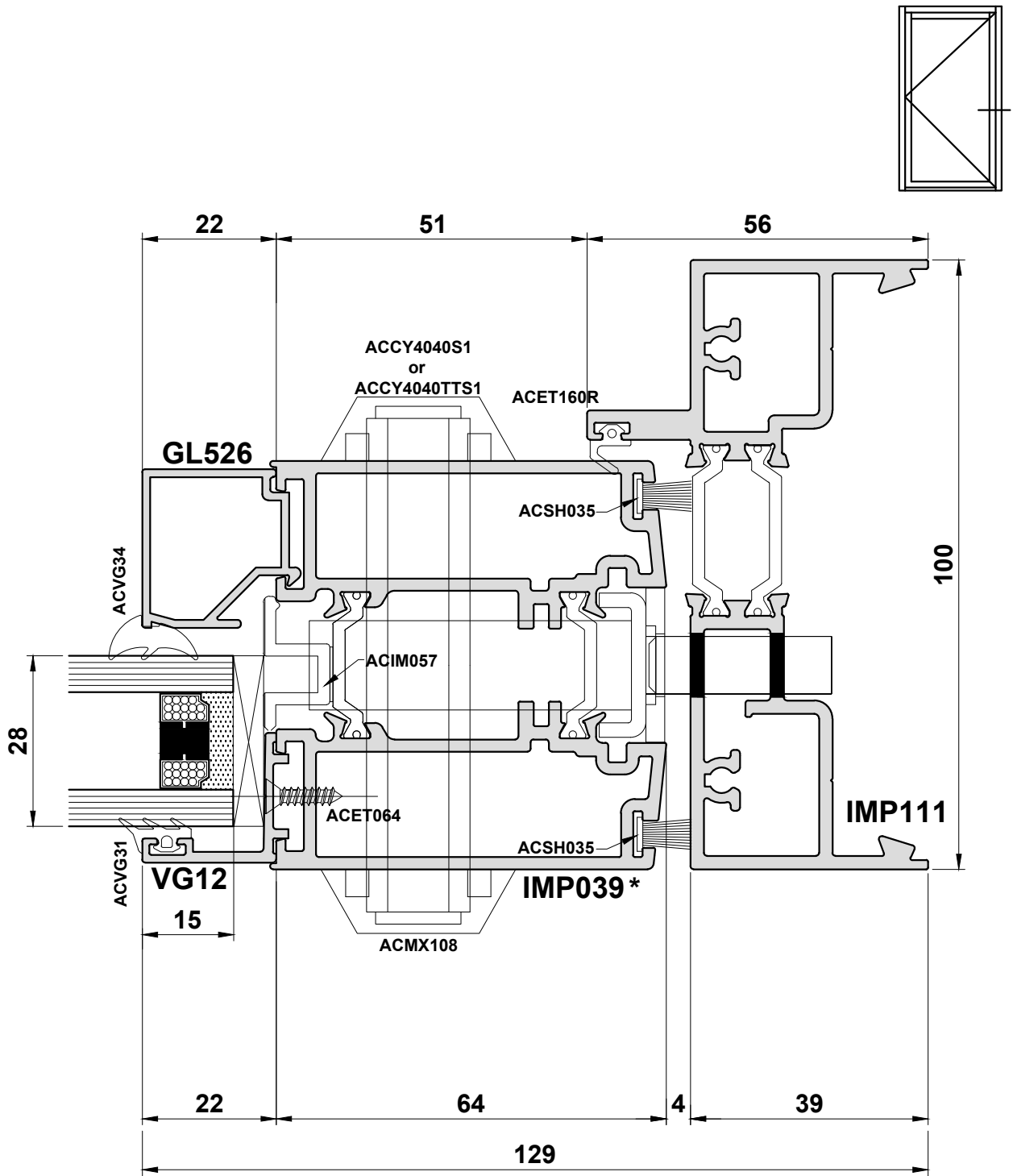
Detail 17



*Consider using IMP025 or IMP041 as stile depending on ironmongery

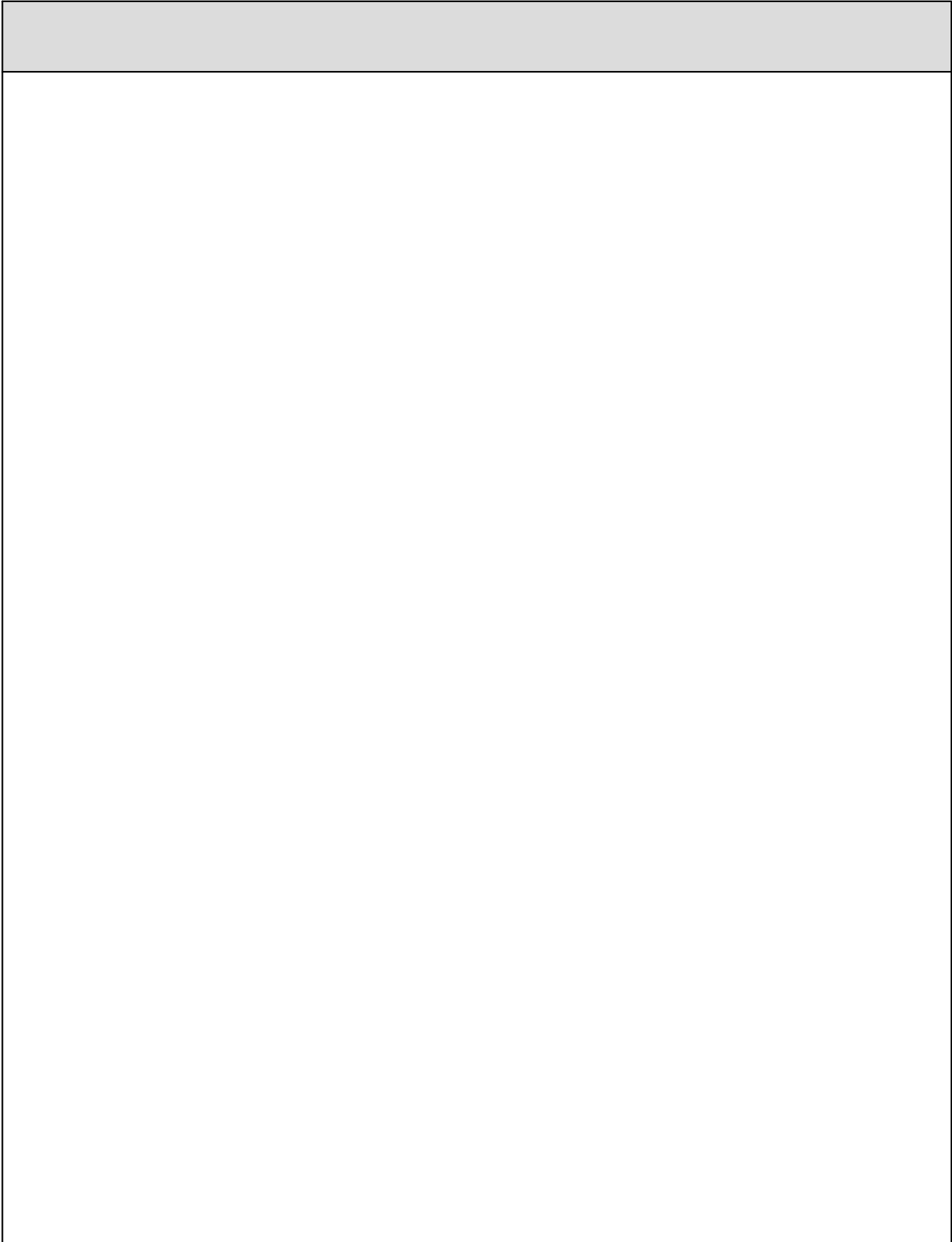
Do Not Scale From This Drawing

Detail 18



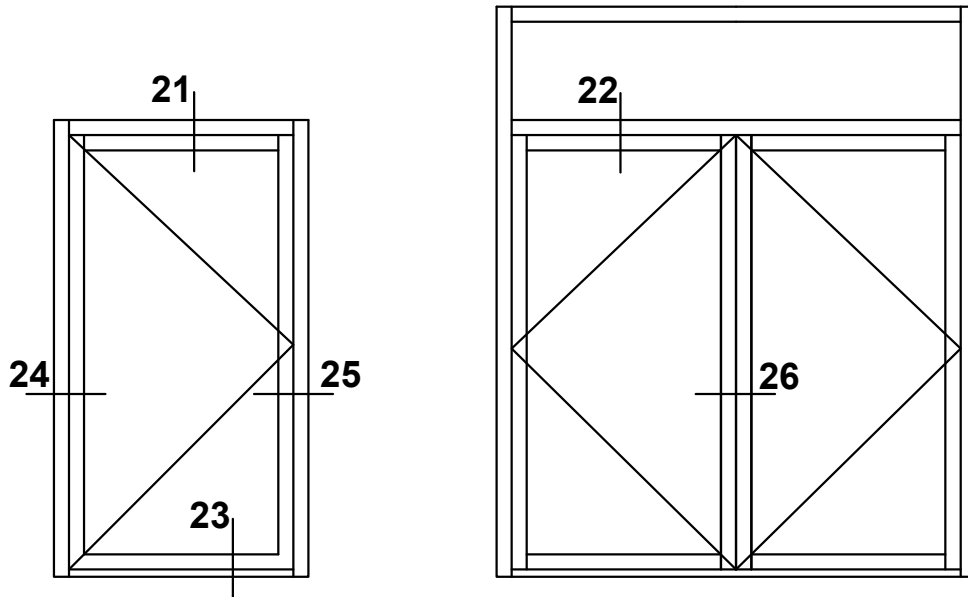
Consider using IMP025 or IMP041 as stile depending on ironmongery

Do Not Scale From This Drawing



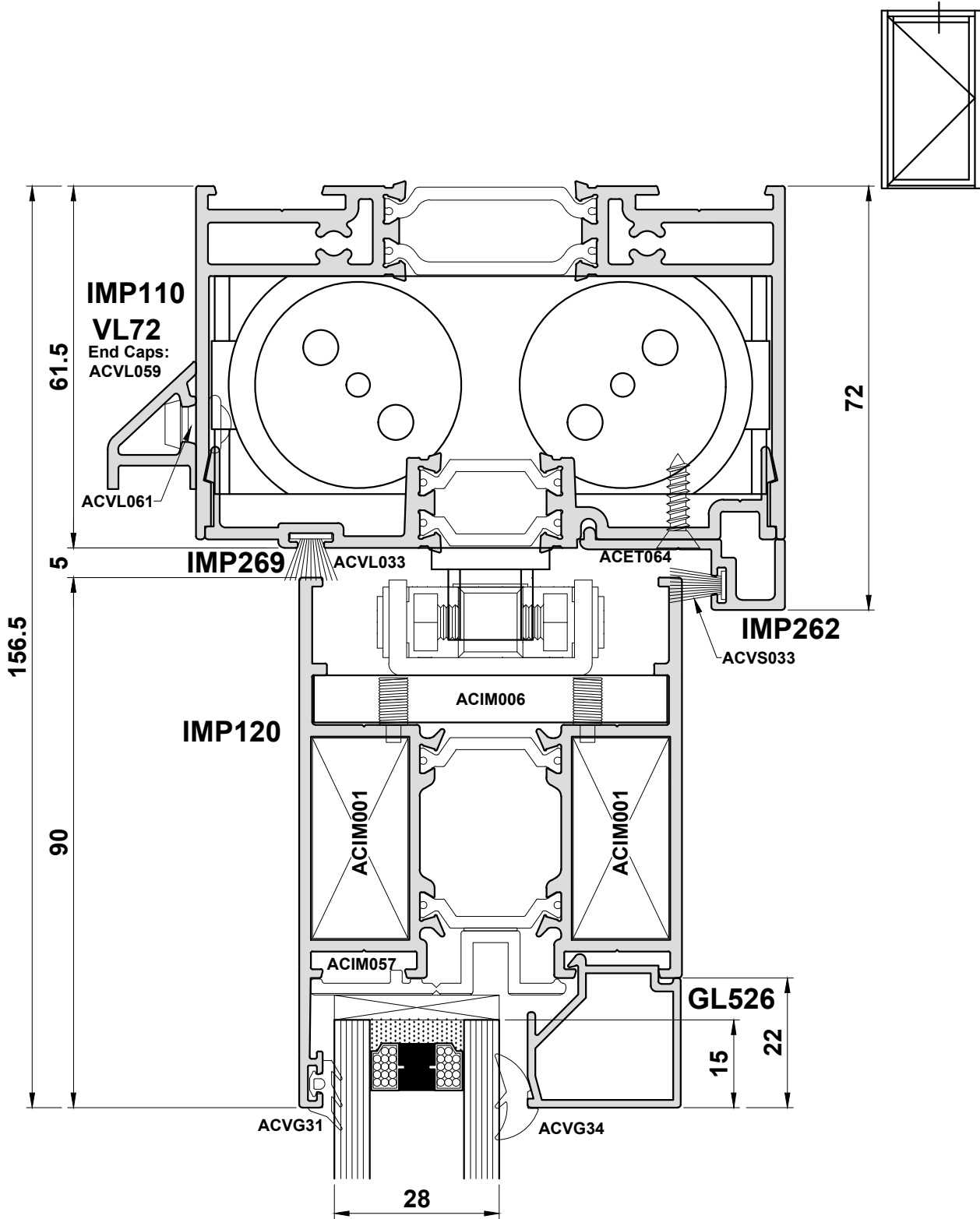
Do Not Scale From This Drawing

Rebated Doors - Concealed Closer



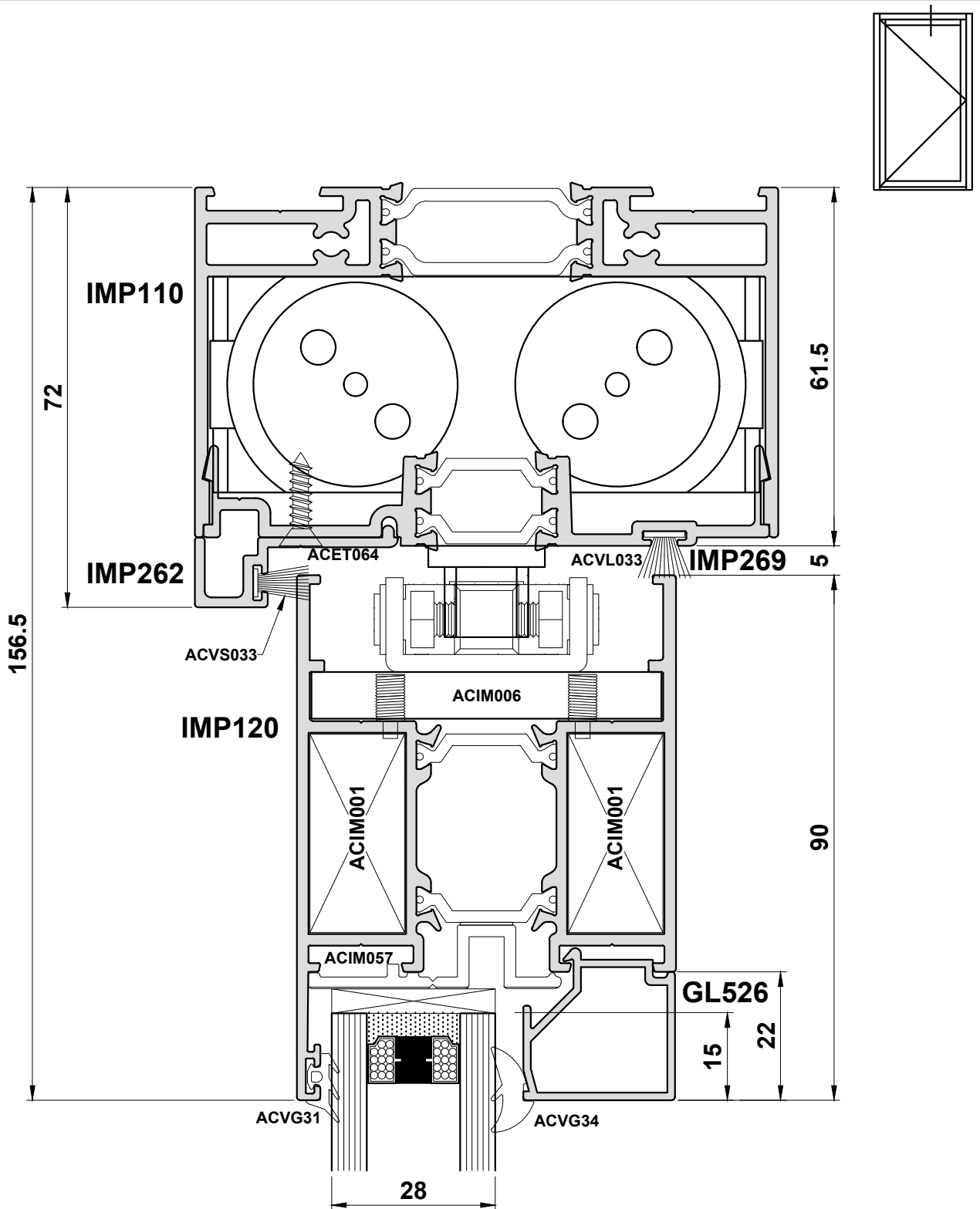
Do Not Scale From This Drawing

Detail 21 - Open Out



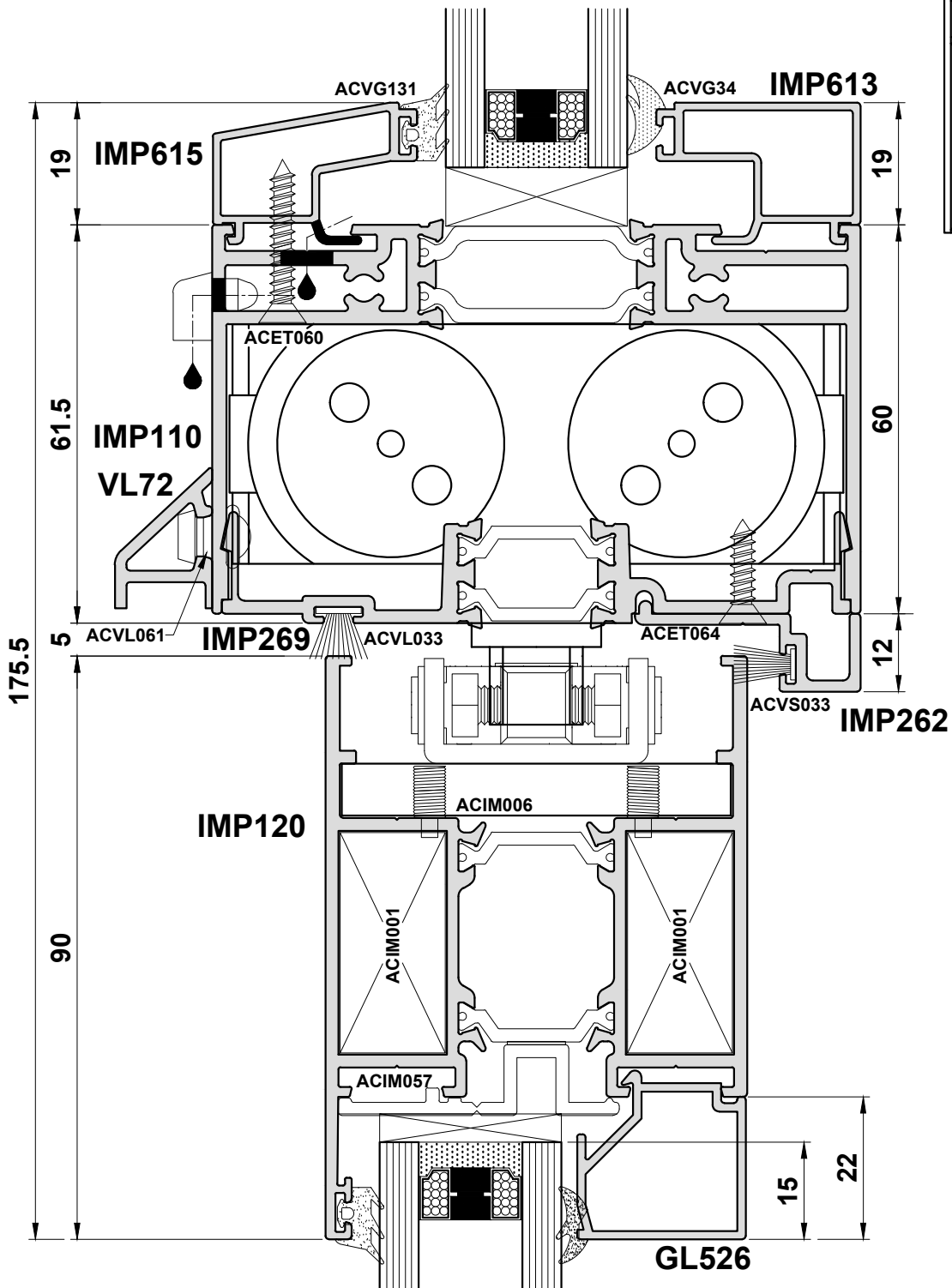
Do Not Scale From This Drawing

Detail 21 - Open In



Do Not Scale From This Drawing

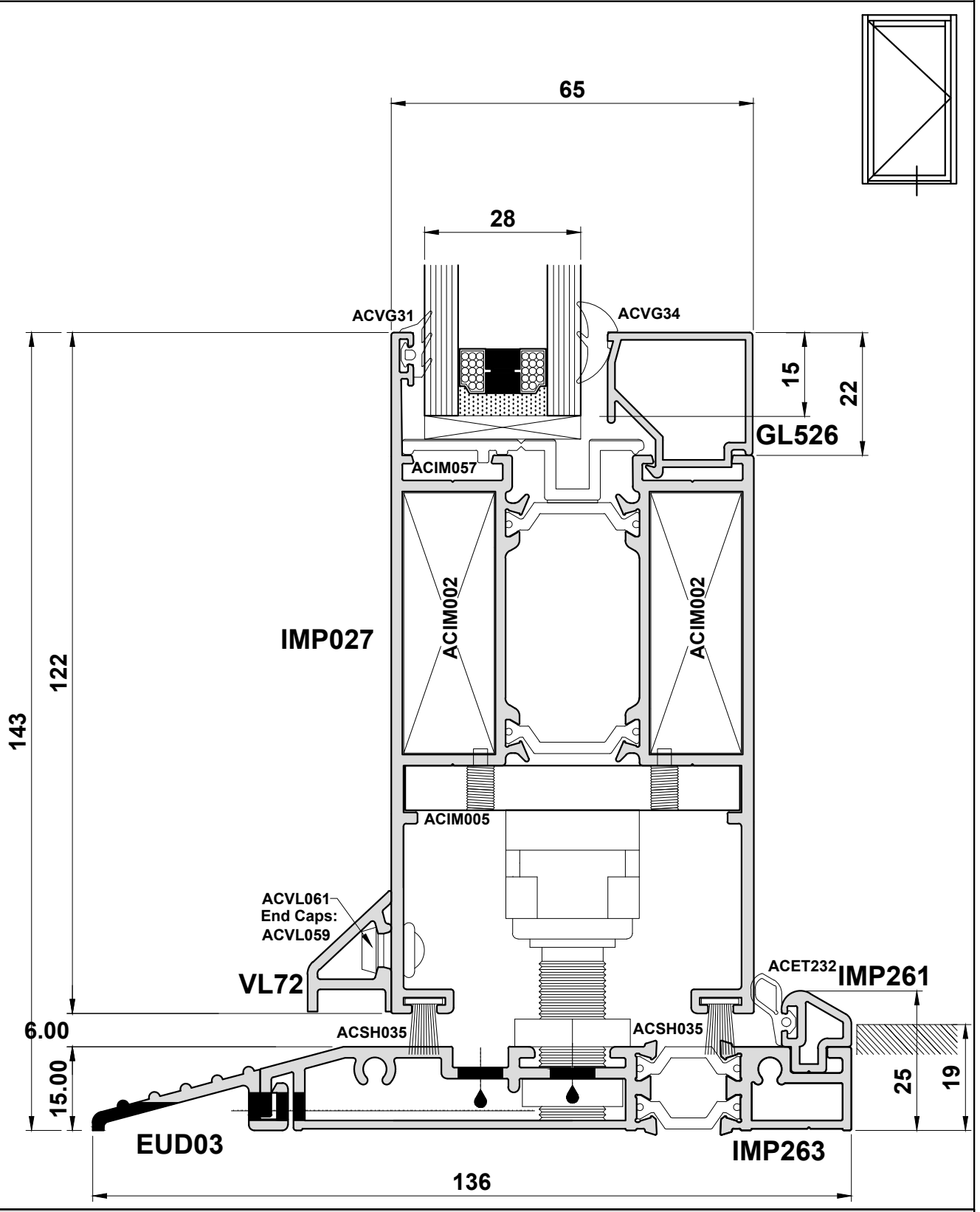
Detail 22 - Open Out



Important Note: The above detail requires IMP210 jambs.

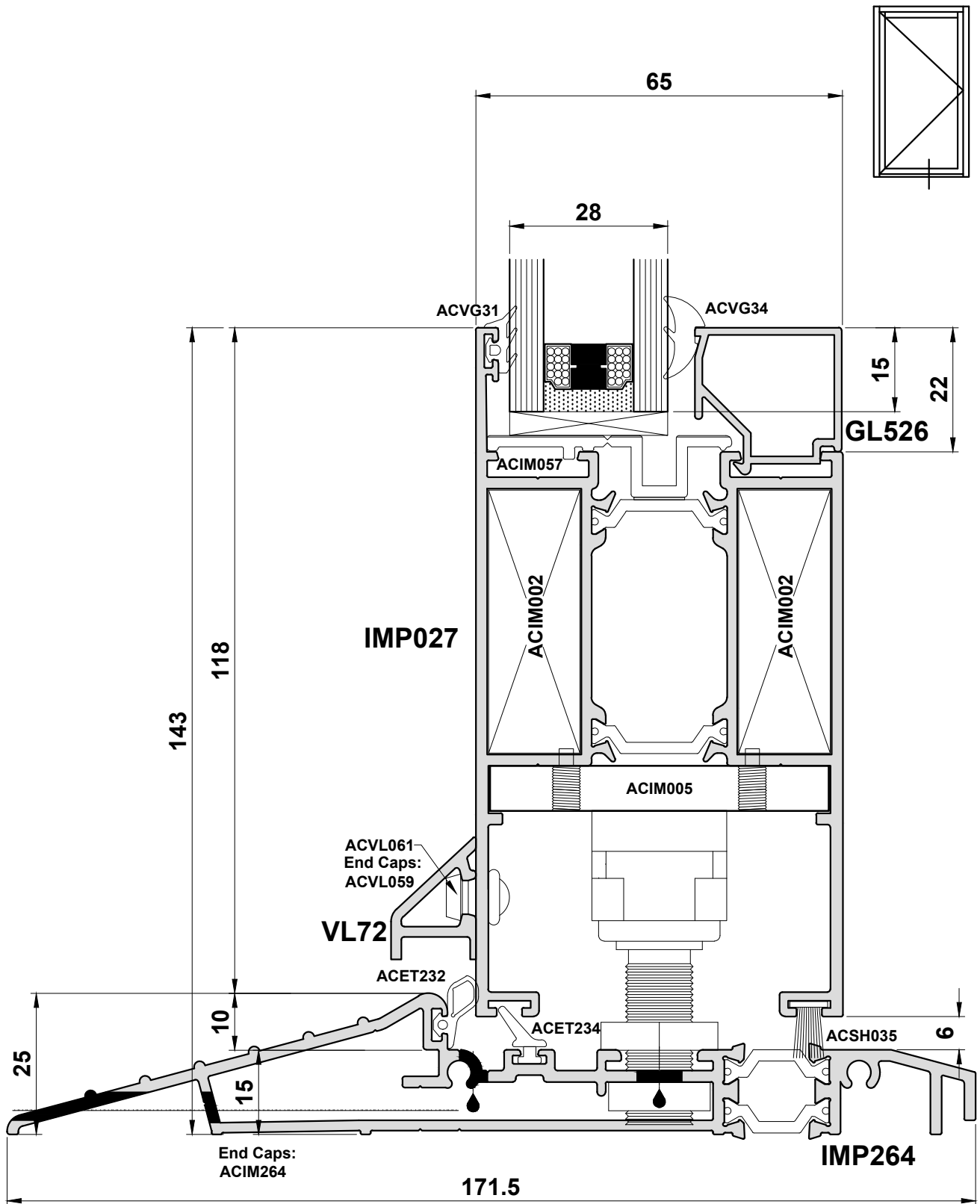
Do Not Scale From This Drawing

Detail 23A - Open Out



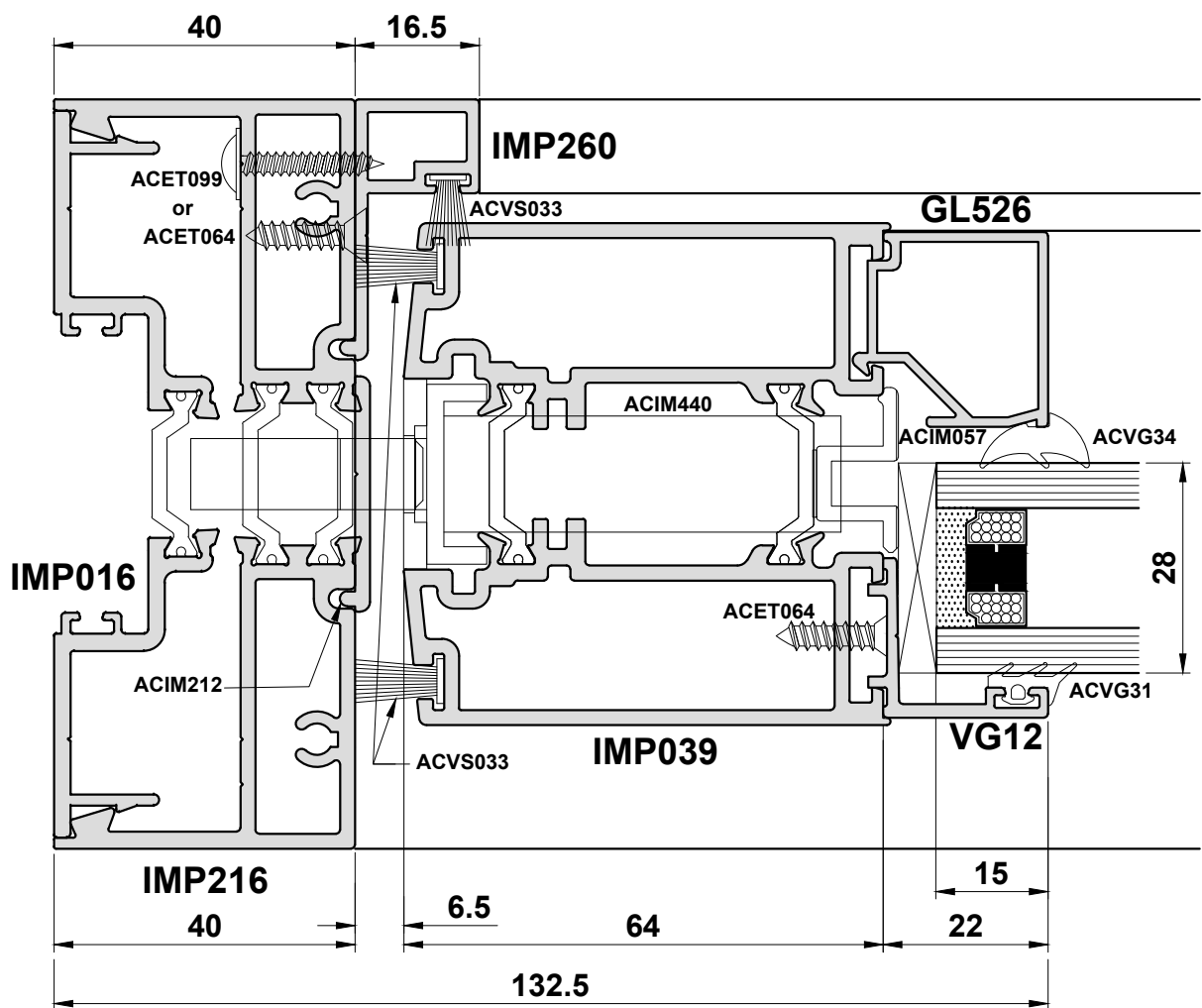
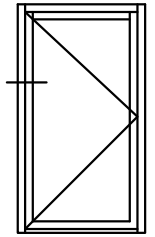
Do Not Scale From This Drawing

Detail 23B - Open In



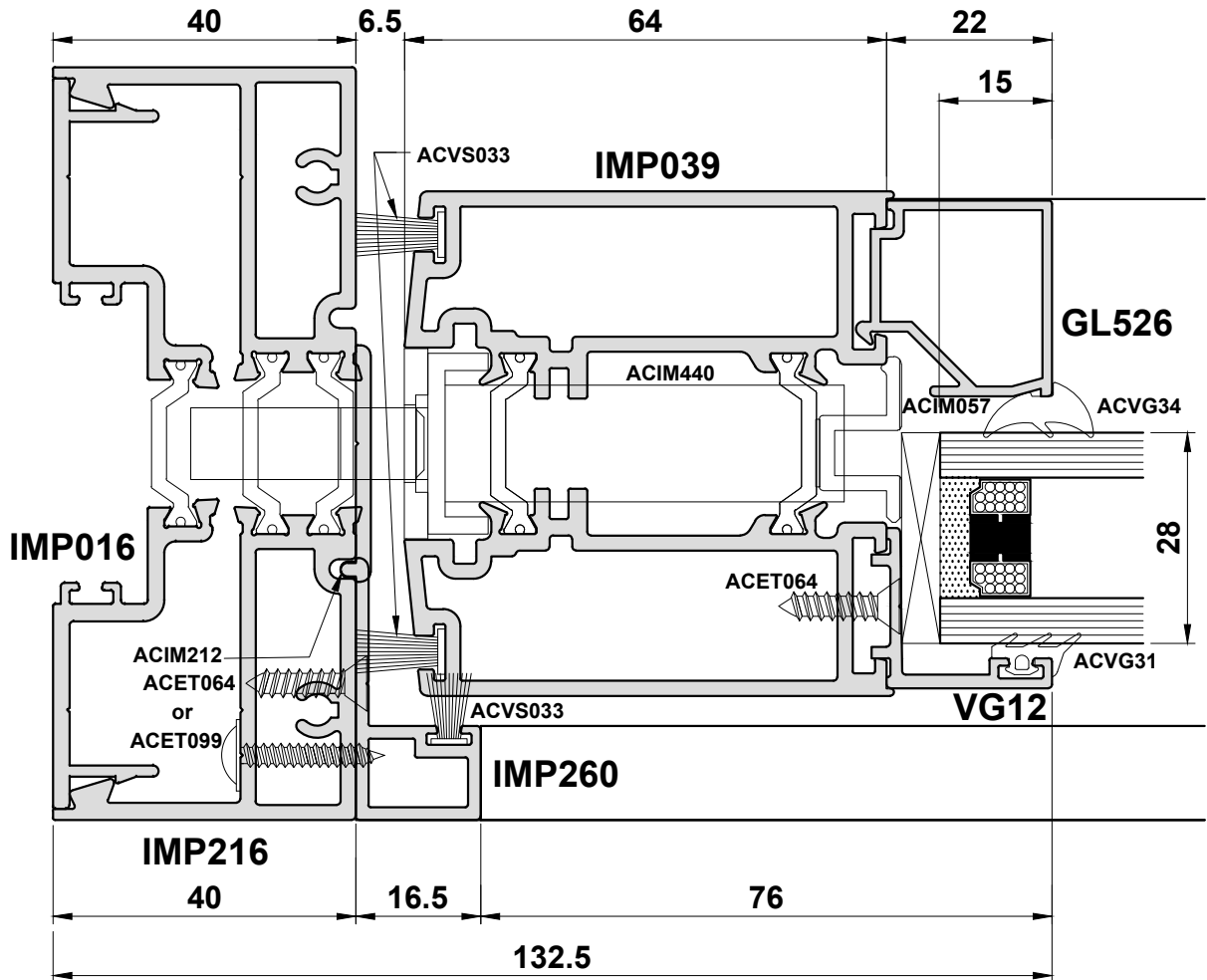
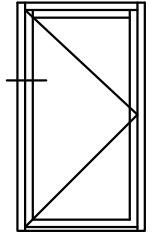
Do Not Scale From This Drawing

Detail 24A - Open Out



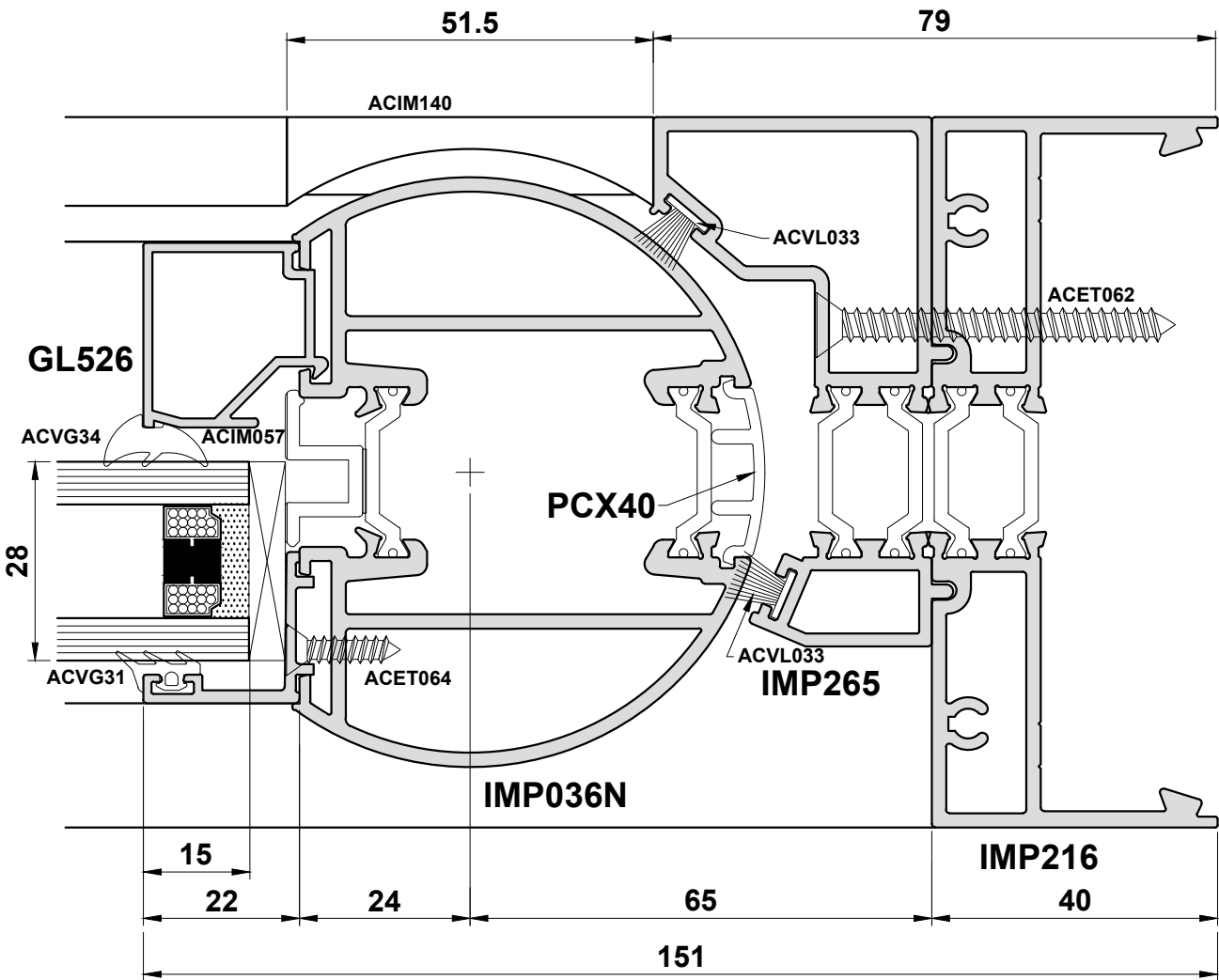
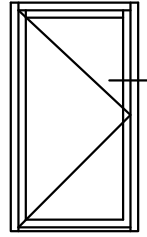
Do Not Scale From This Drawing

Detail 24 - Open In



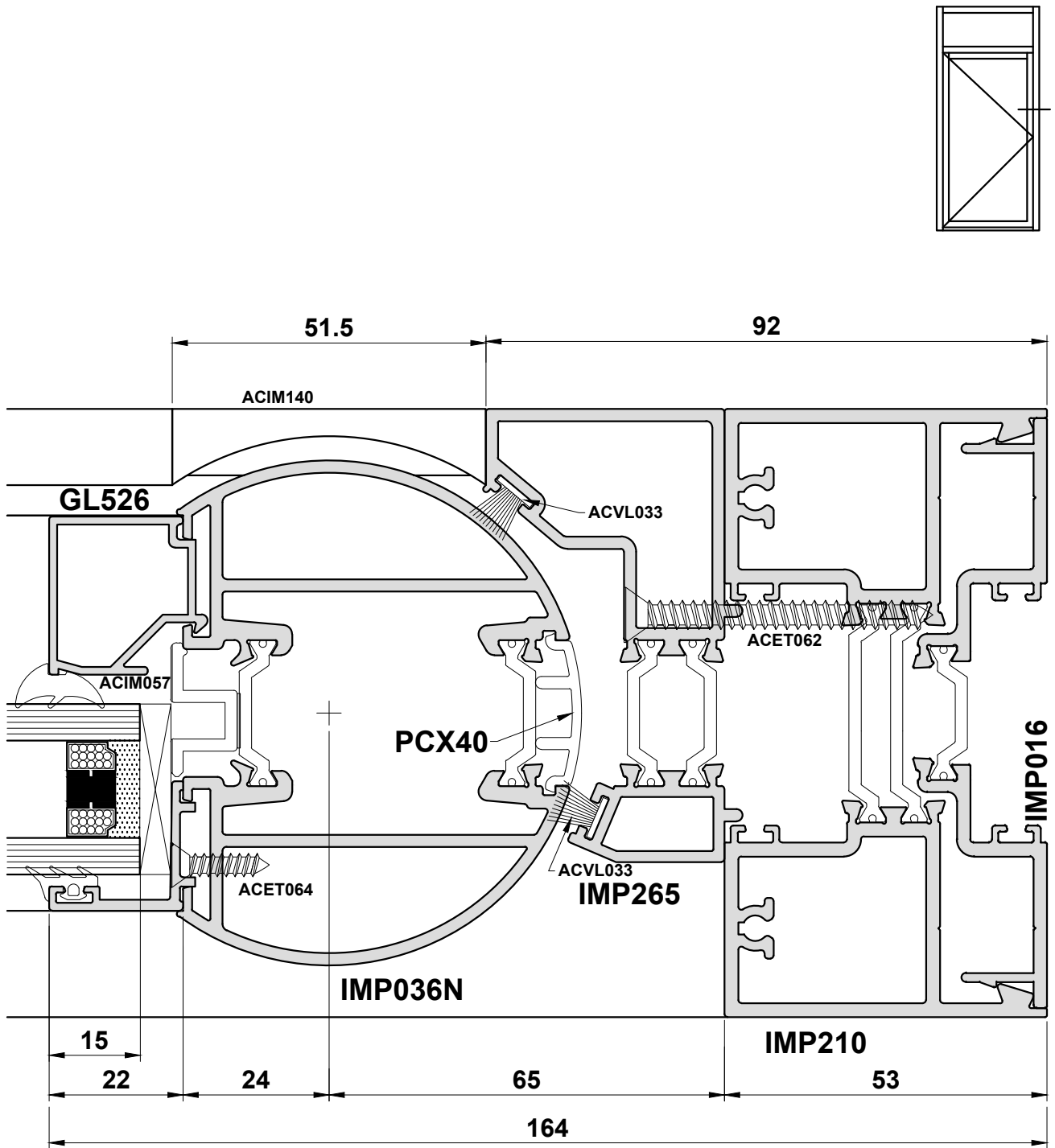
Do Not Scale From This Drawing

Detail 25A - Open Out



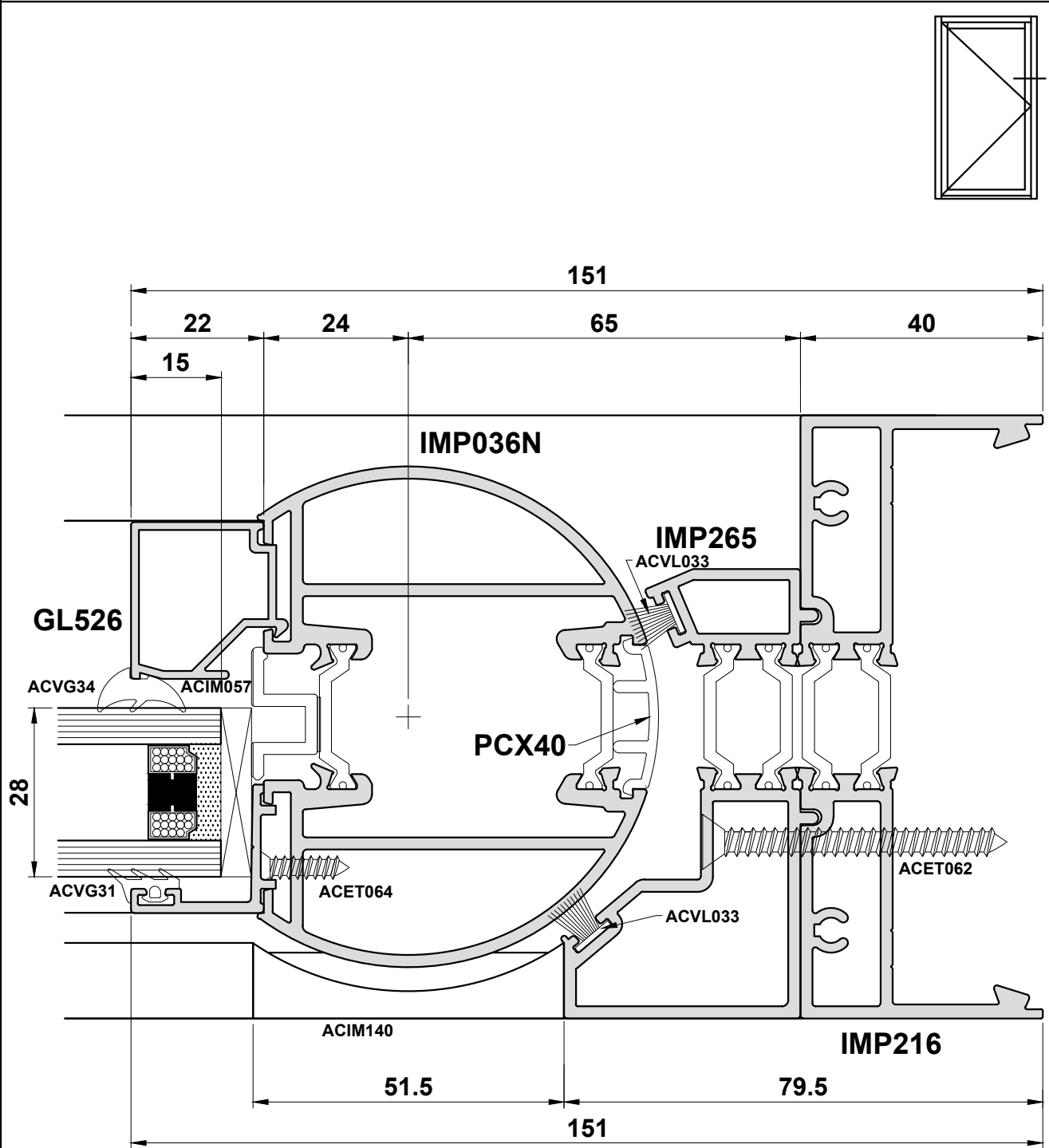
Do Not Scale From This Drawing

Detail 25B - Open Out



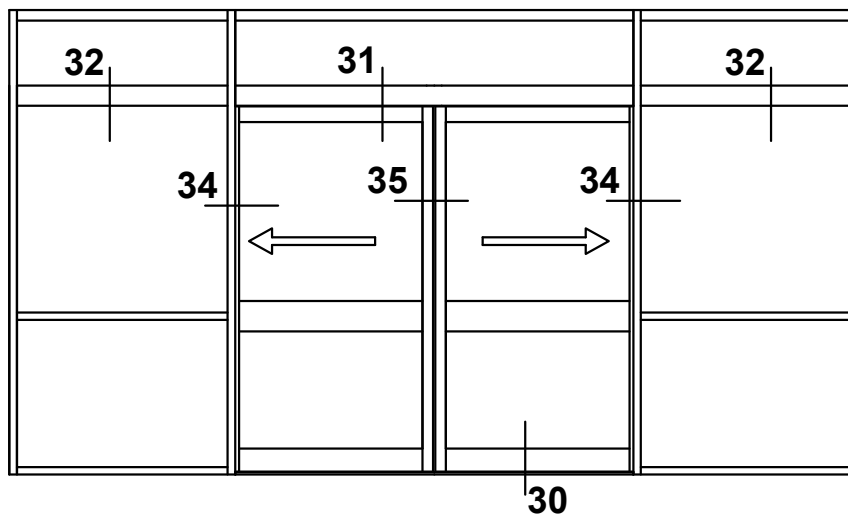
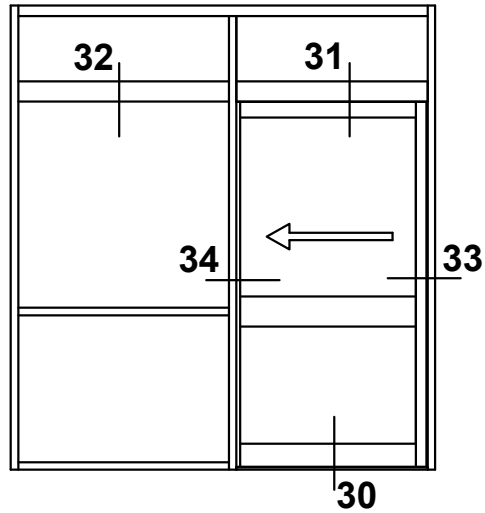
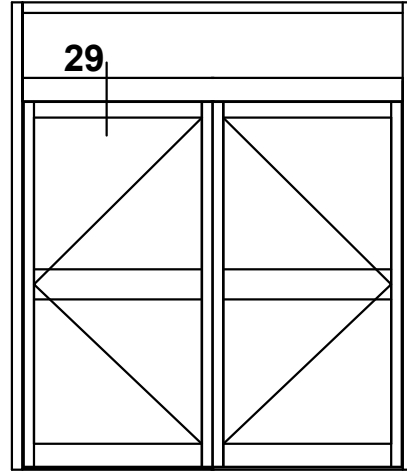
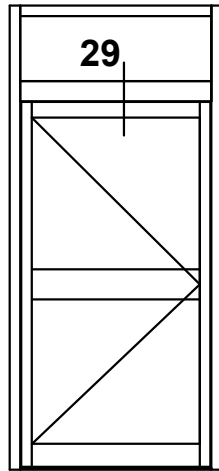
Do Not Scale From This Drawing

Detail 25 - Open In



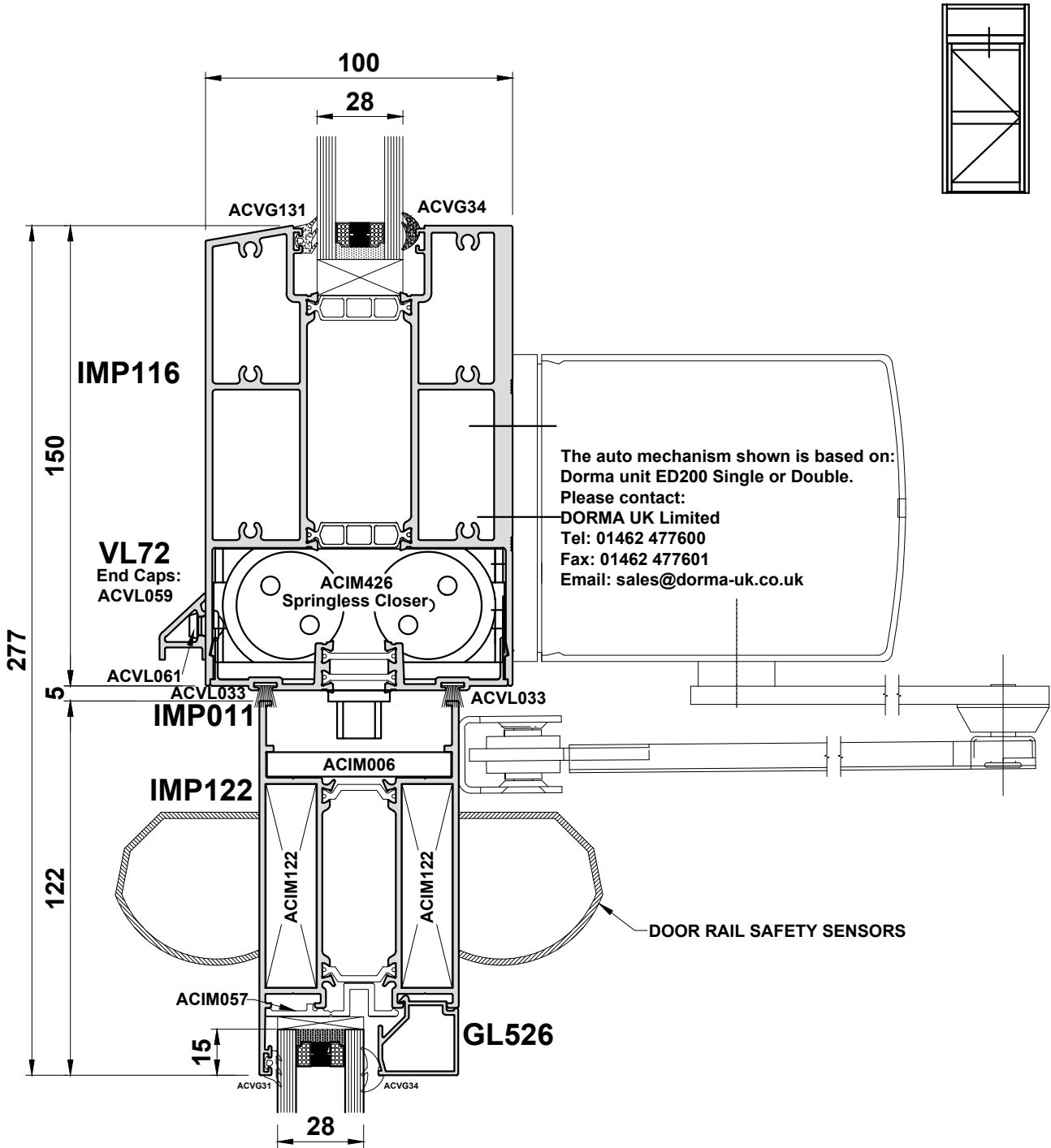
Do Not Scale From This Drawing

Auto Doors



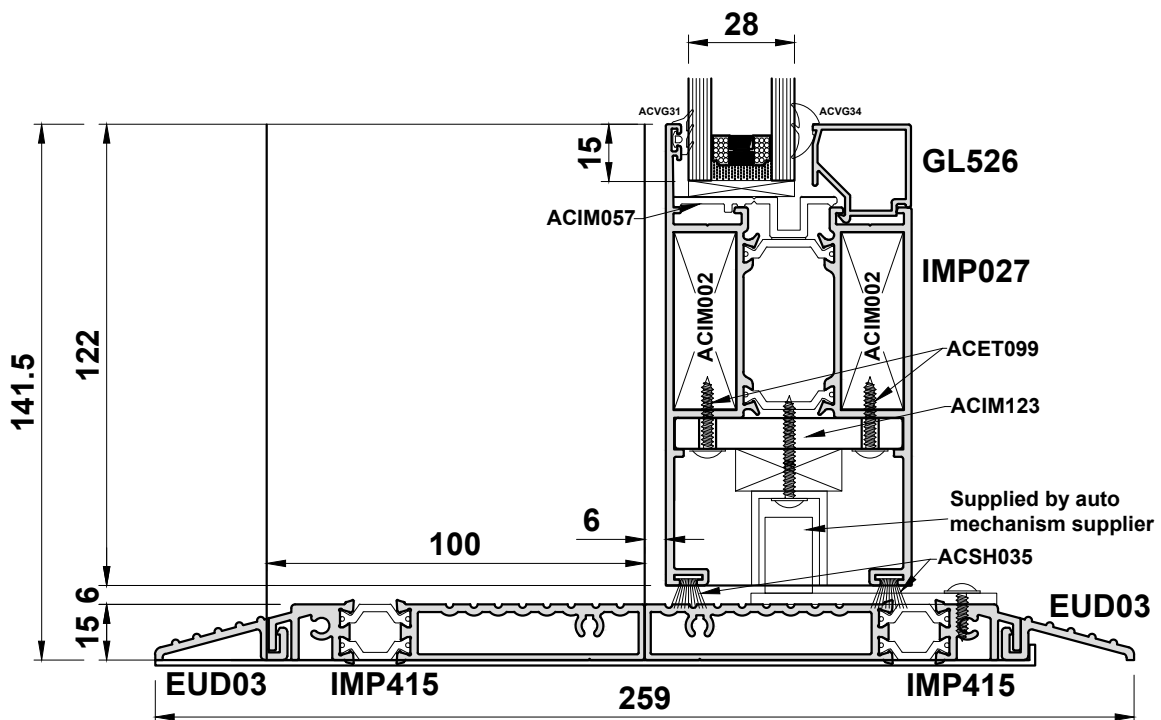
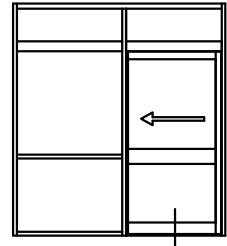
Do Not Scale From This Drawing

Detail 29



Do Not Scale From This Drawing

Detail 30



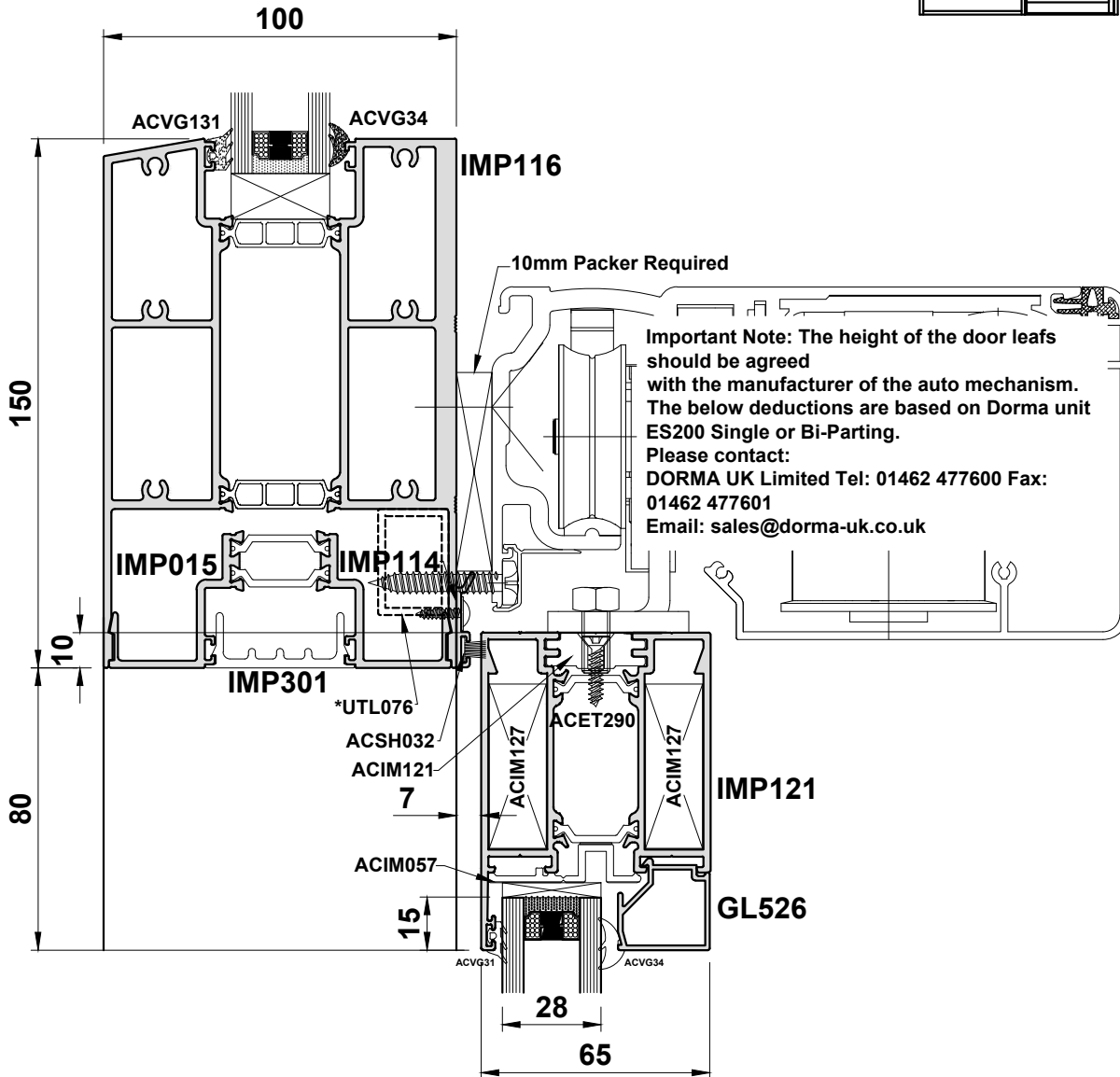
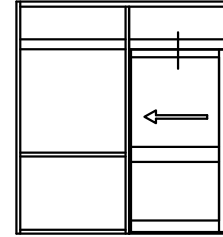
The threshold detail shown is optional and may vary to suit site condition.
Cill flashing by others. Drainage path must be considered.

Note:

- For PAS24, door guides need to be replaced with UTL032 and UTL072

Do Not Scale From This Drawing

Detail 31

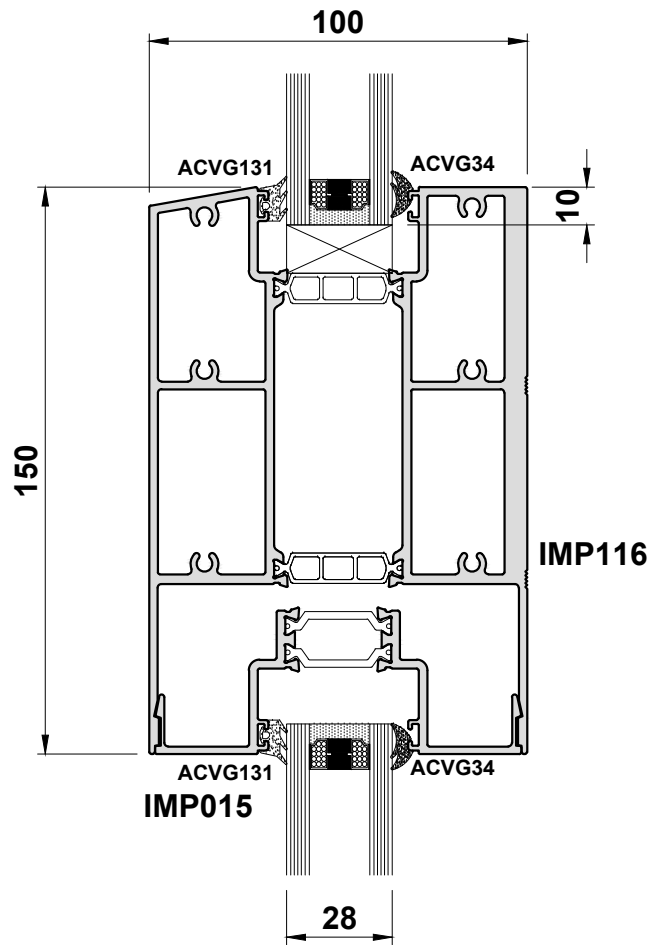
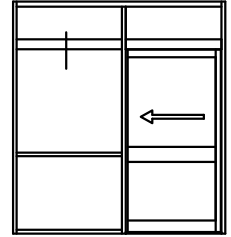


***Note:**

- For PAS24, Install UTL076 in marked location

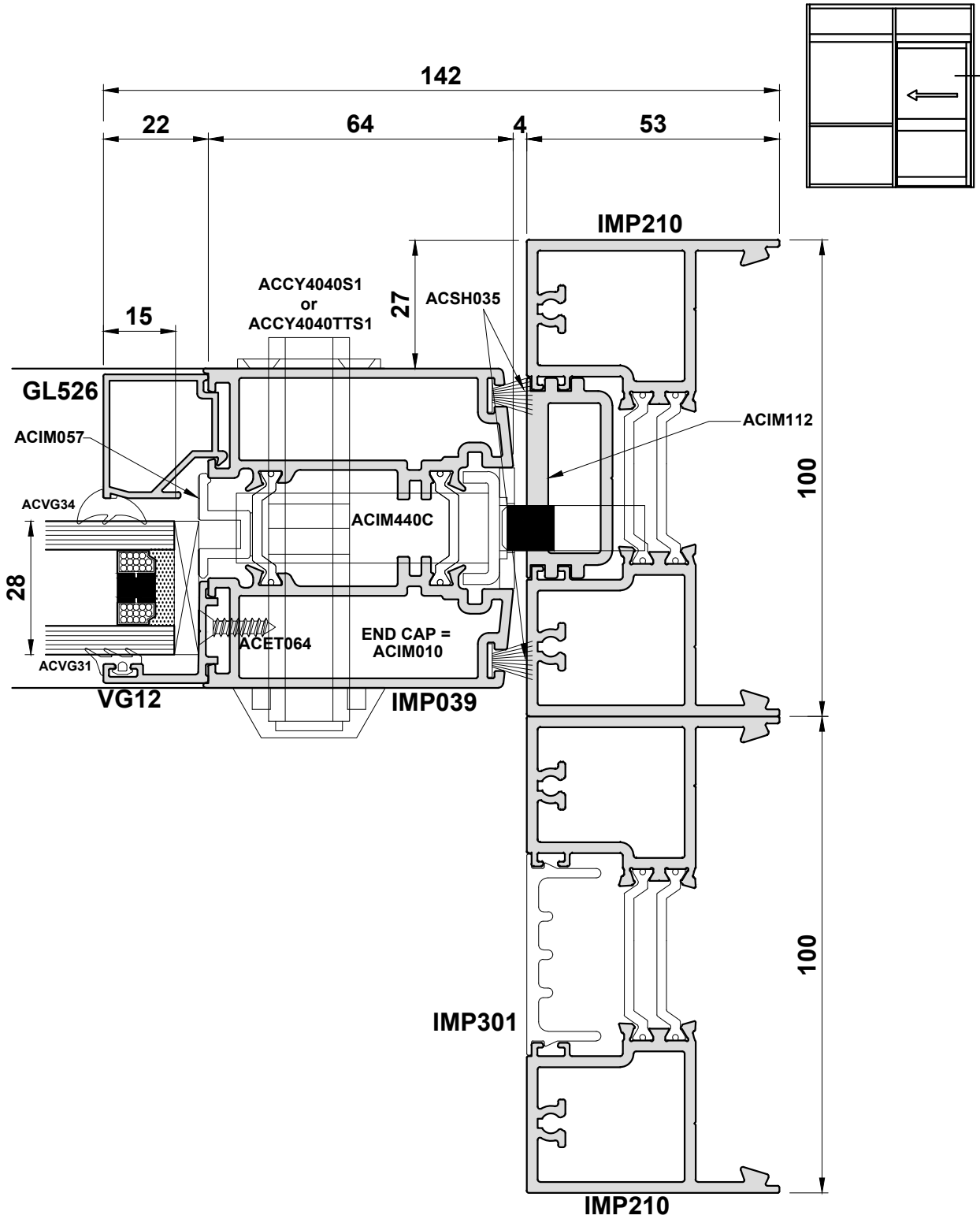
Do Not Scale From This Drawing

Detail 32



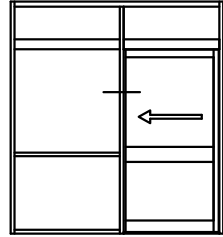
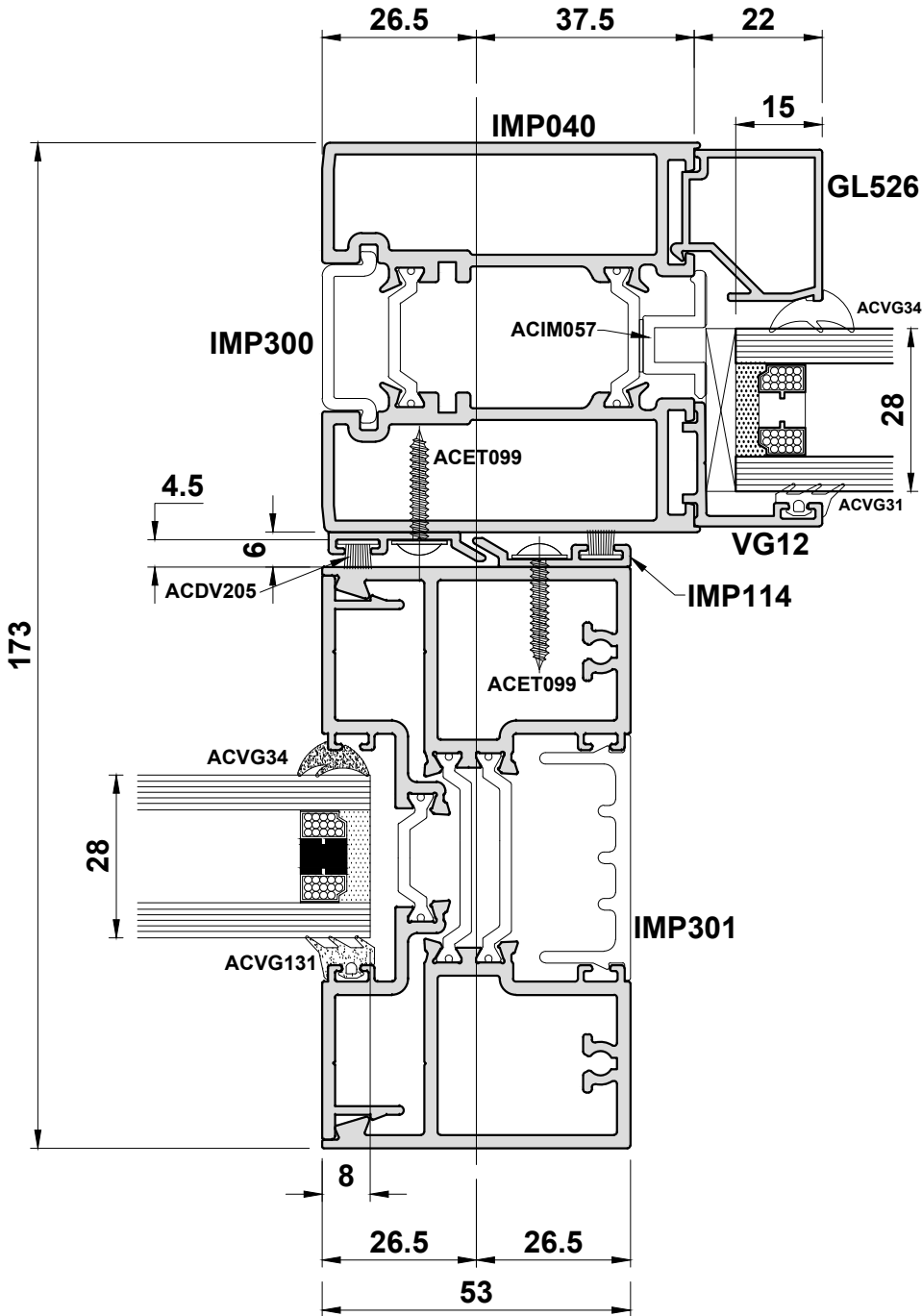
Do Not Scale From This Drawing

Detail 33A



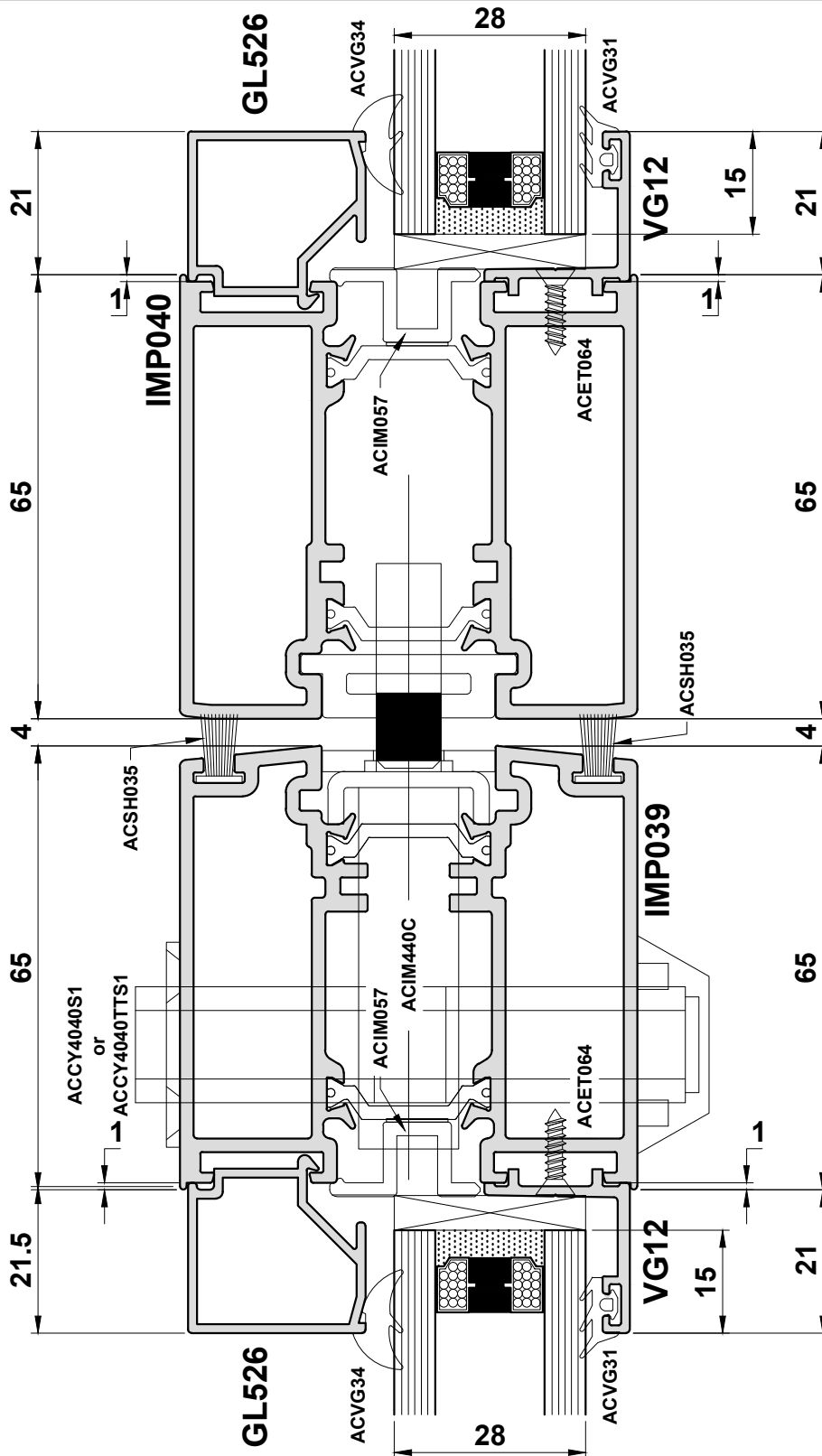
Do Not Scale From This Drawing

Detail 34



Do Not Scale From This Drawing

Detail 35A



Do Not Scale From This Drawing

Section D

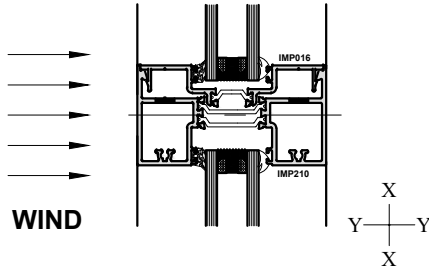
Statics

General Size Limitations are shown on Page A02.

**For Wind Loading Limitations, Please Contact
The Technical Department - T: 01934 833100**

Section D

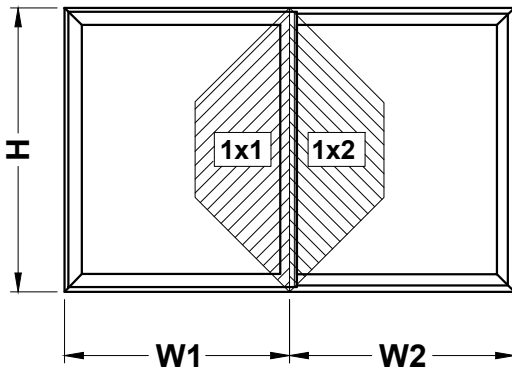
GENERAL INFORMATION - STATICS



The position of the axes is an indication for the use and application of the moments of inertia (I_x and I_y) and the section modulus (W_x and W_y). We always choose the values of the axis perpendicular to the load to resist it.

- To resist the wind loads we use the values I_x and W_x .

EXAMPLE



$H = 240\text{cm}$

$W1 = 180\text{cm}$

$W2 = 180\text{cm}$

$P = 1200\text{ Pa}$ (wind pressure)

- 1) Determine I_{xx} value for the interlock and meeting stile (if required) using the Specification Wizard

$I_{xx} = 111.1\text{ cm}^4$

- 2) Determine profile combinations

109 cm ⁴	216.5 cm⁴	341.4 cm ⁴

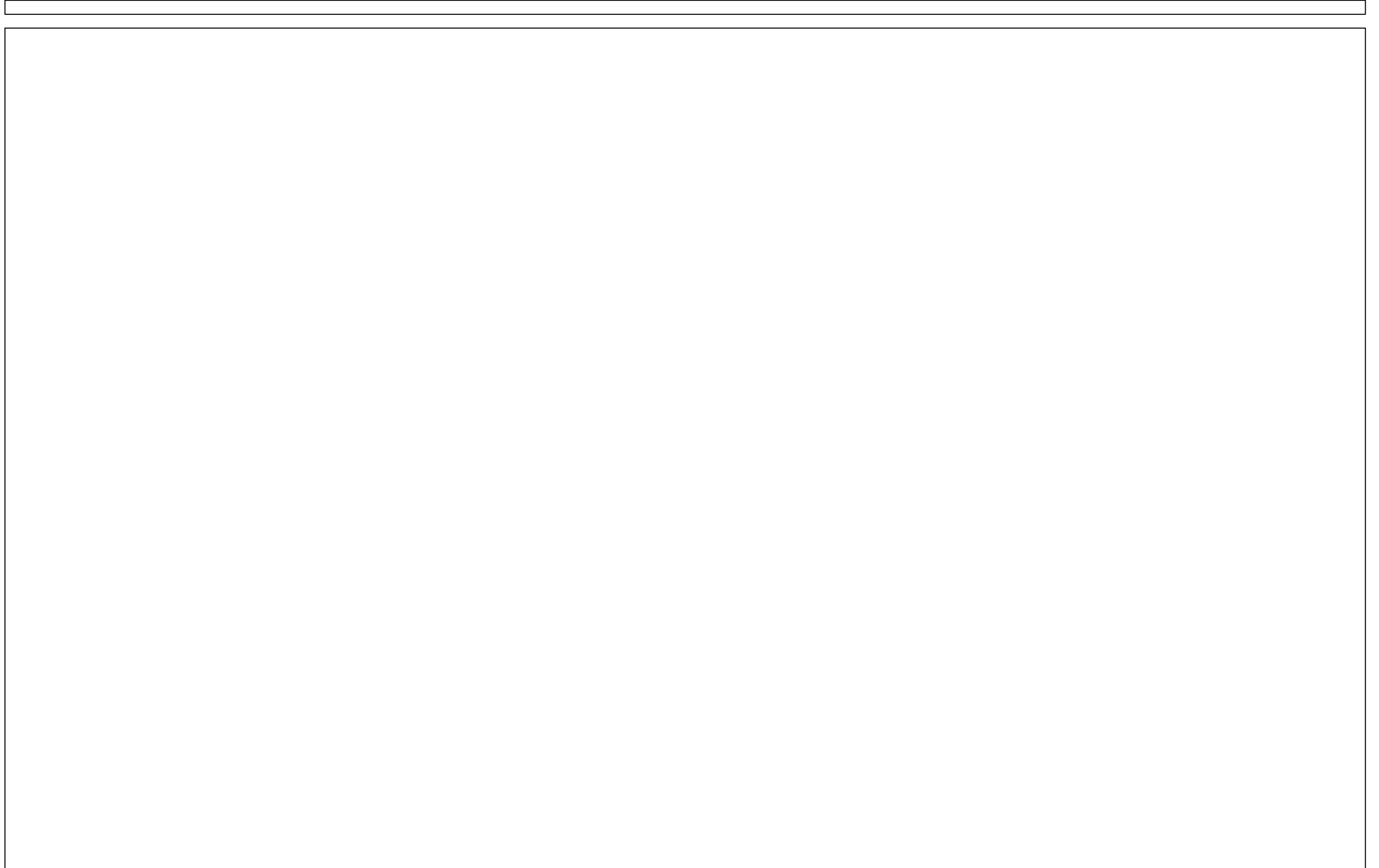
OK

Section E

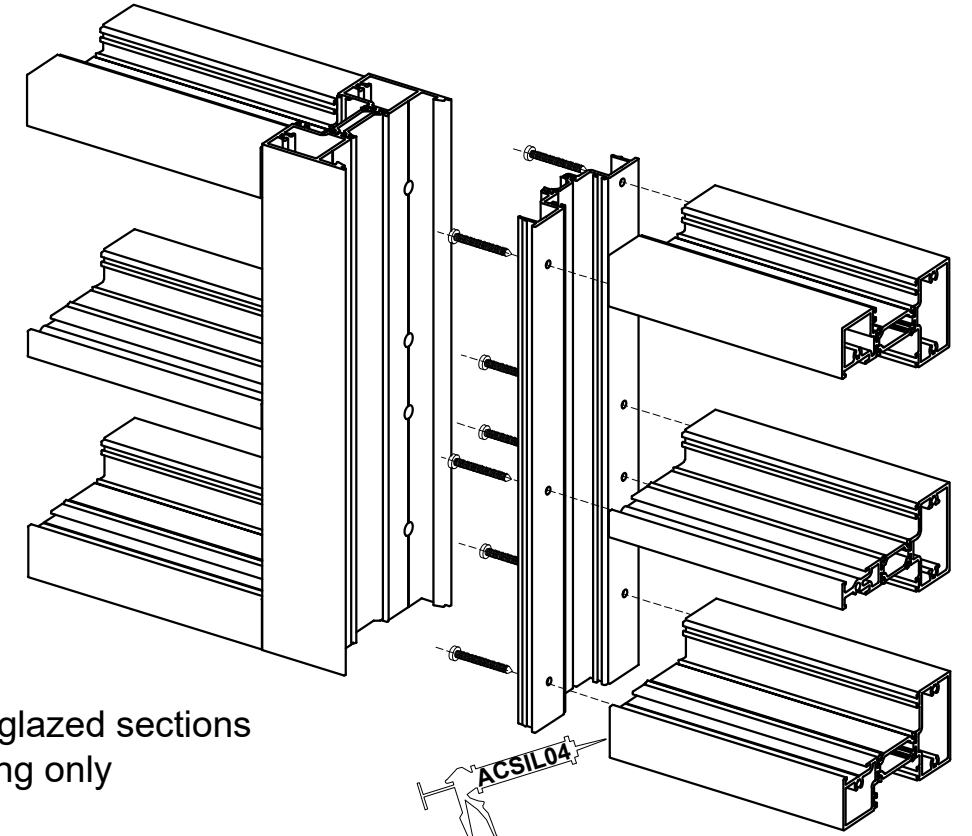
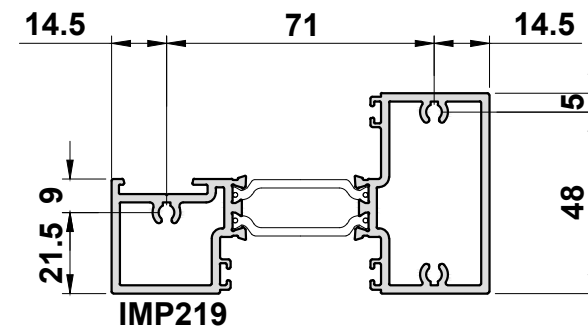
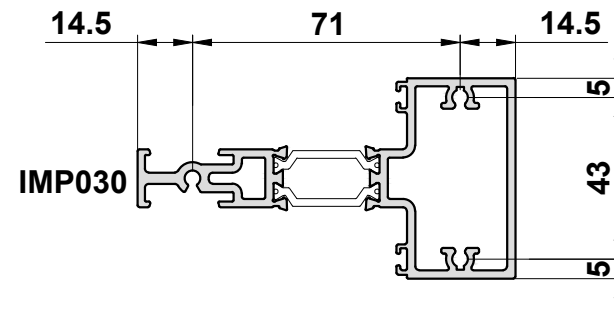
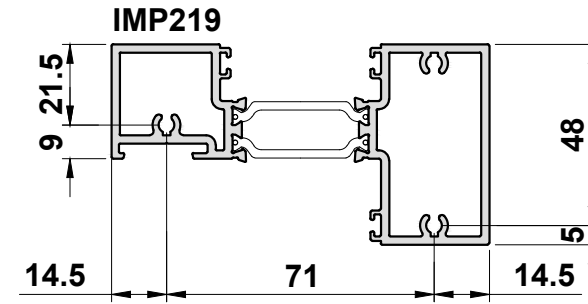
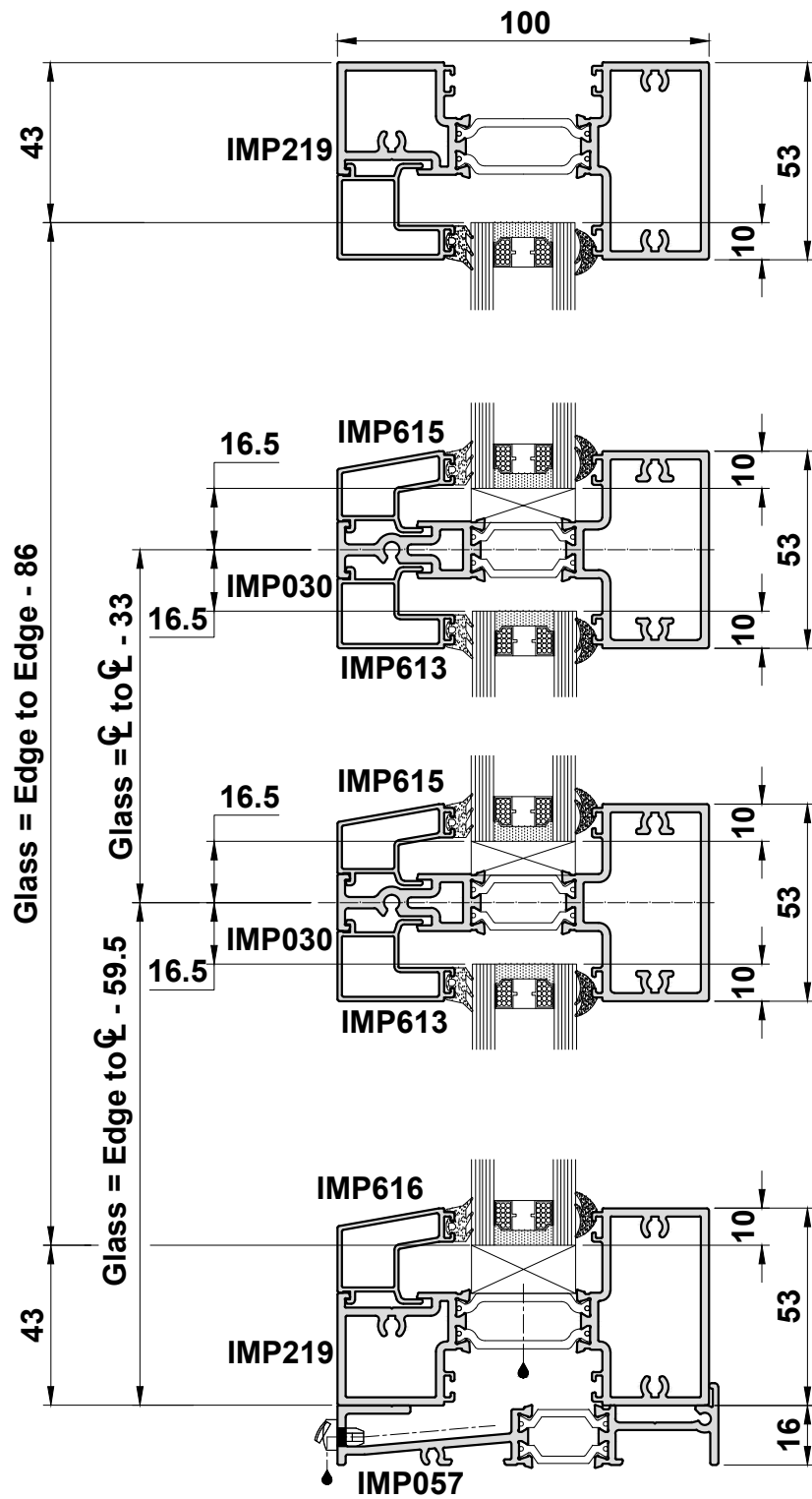


Construction Drawings

Screen Assembly.....	E03 - E05
Door Assembly.....	E06 - E08
Lock Preparation.....	E09 - E12
Door Closer Assembly.....	E13 - E15
Rebated Door.....	E16 - E19
Hinge Fixing.....	E20
ACSH470 Letter Plate Fitting.....	E21
Glazing Chart.....	E22 - E23
Drainage Tray.....	E24
Opening Sash Inserts.....	E25
Clear Opening Calculations.....	E26
PAS24 Mag Lock Detail.....	E27
PAS24 Panic Bar Details.....	E28 - E51
PAS24 Auto-Slider Details.....	E52 - E55
PAS24 Double and single door requirements.....	E56
Example Layout.....	E57

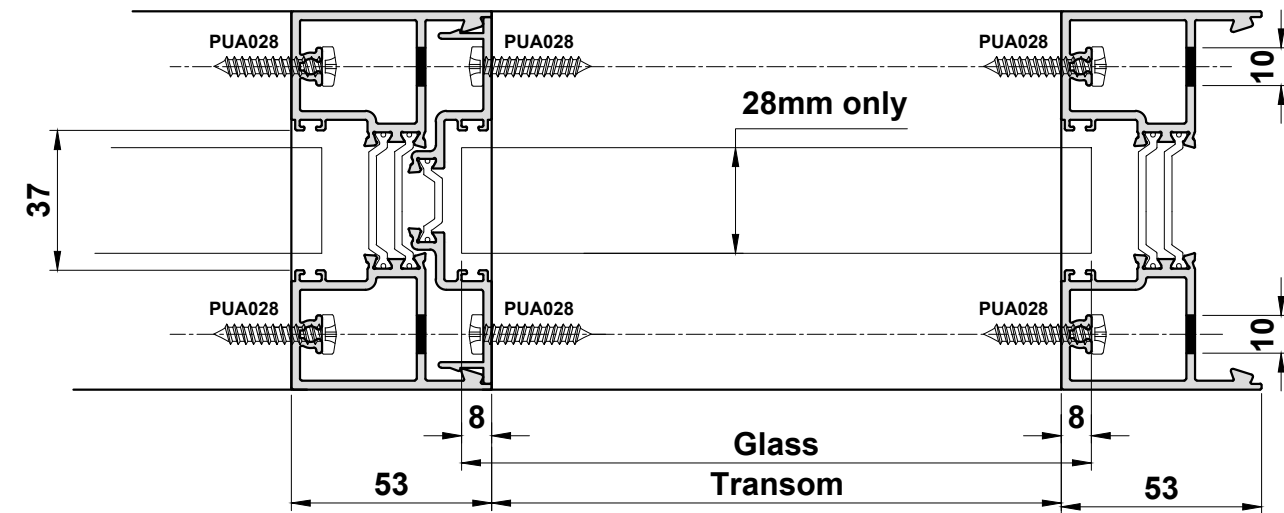


Screen Assembly & Glass Deductions Option A



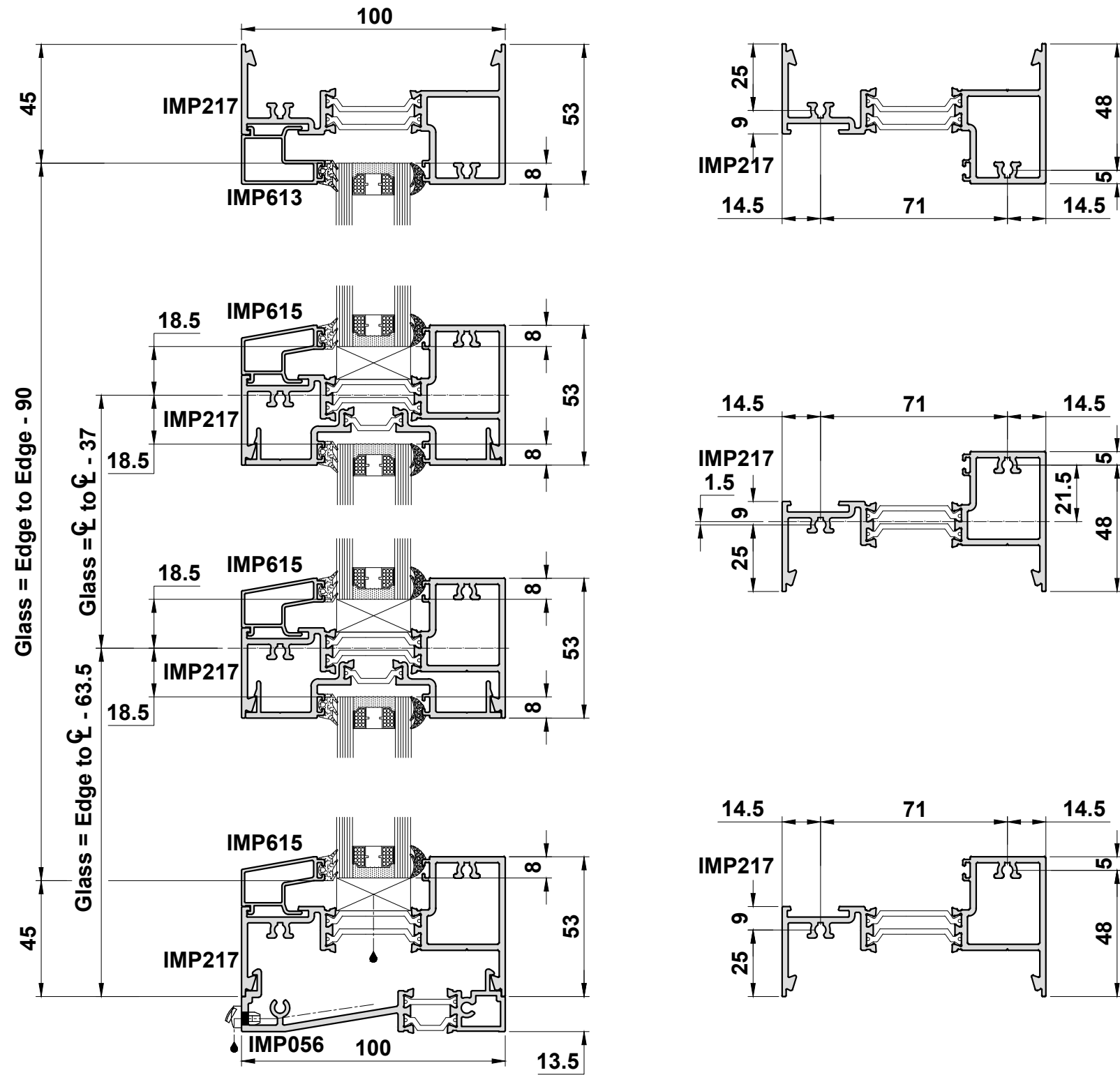
Note:
Smart Wall shuffle glazed sections are for 28mm glazing only

Apply ACSIL04 to cut edge of all transoms prior to assembly



Do Not Scale From This Drawing

Screen Assembly & Glass Deductions Option B

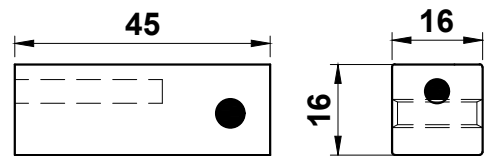


Do Not Scale From This Drawing

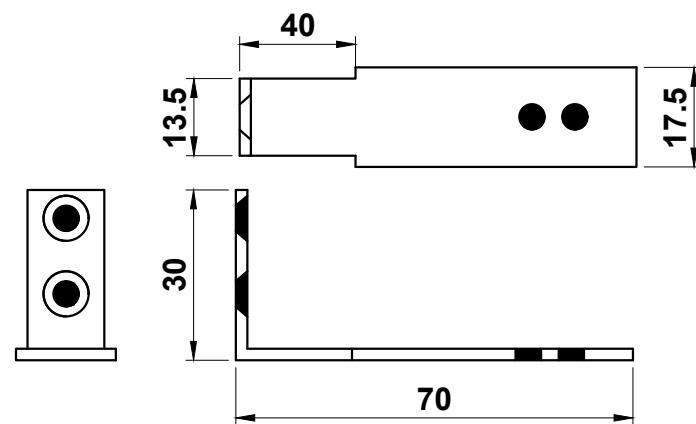
Fixing IMP034 into Pocket Glazed Screen

ACIM025

Cleat A: Inside Cleat

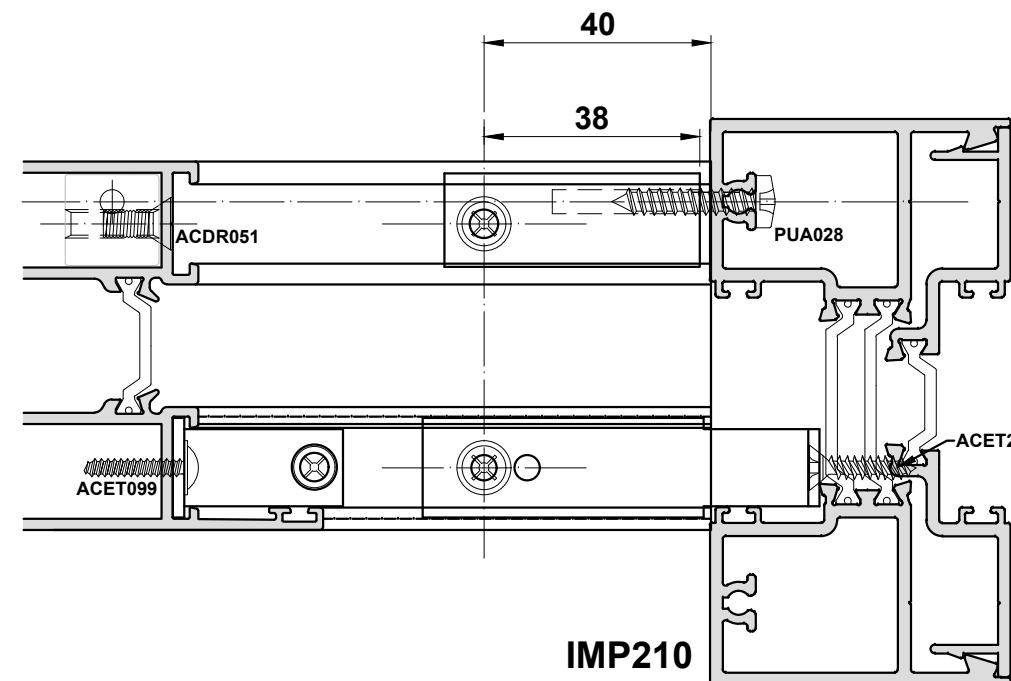
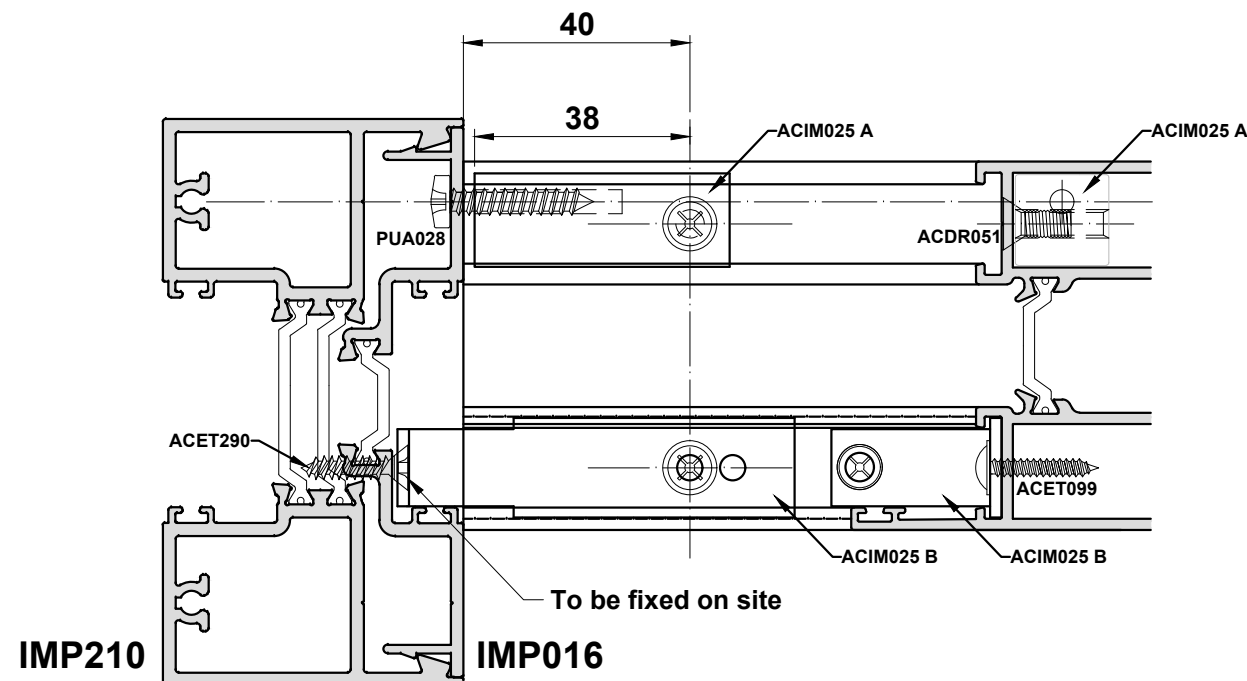
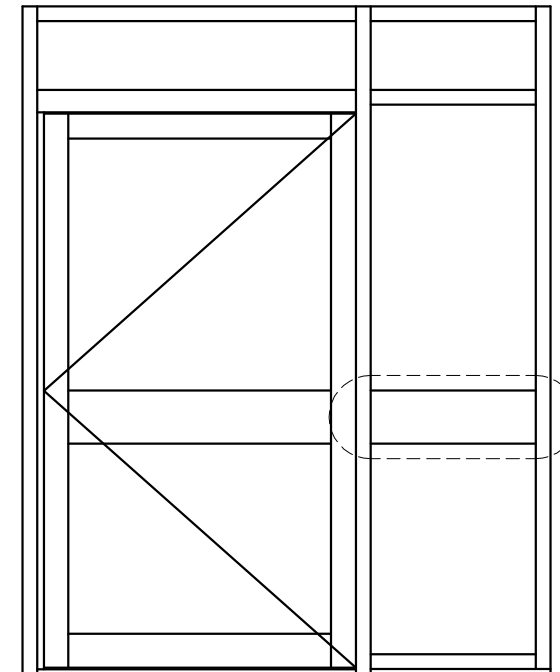


Cleat B: Outside Cleat



ACIM025 (PACKS 24)

Cleats fitted to frame/rail in workshop. Screws through Outer Cleat B (into pocket) can only be fixed on site for frames that need to be coupled as screw penetrates both pocket walls. One screw only into Polyamide for back to back frames to avoid clashing (holes staggered).



Fixings

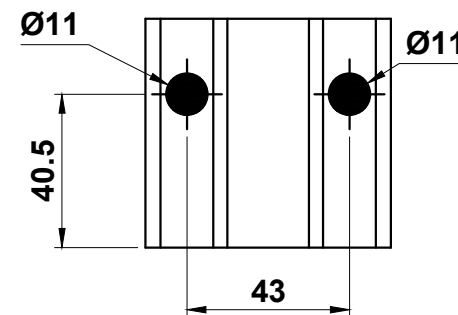
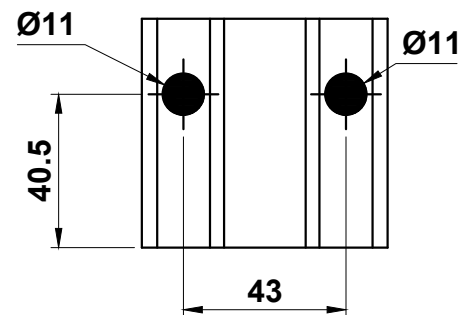
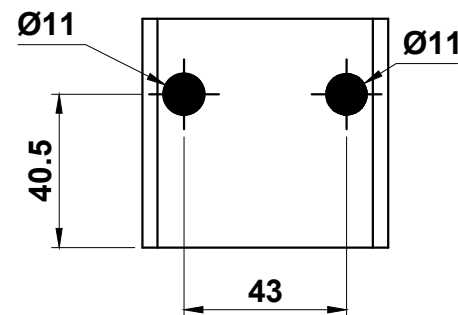
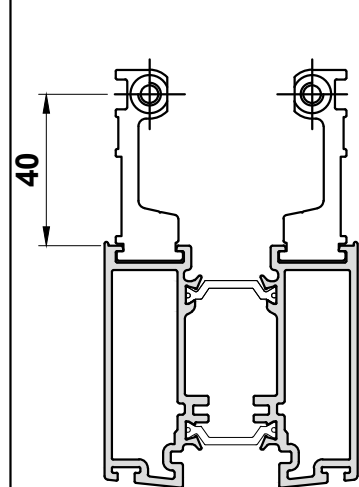
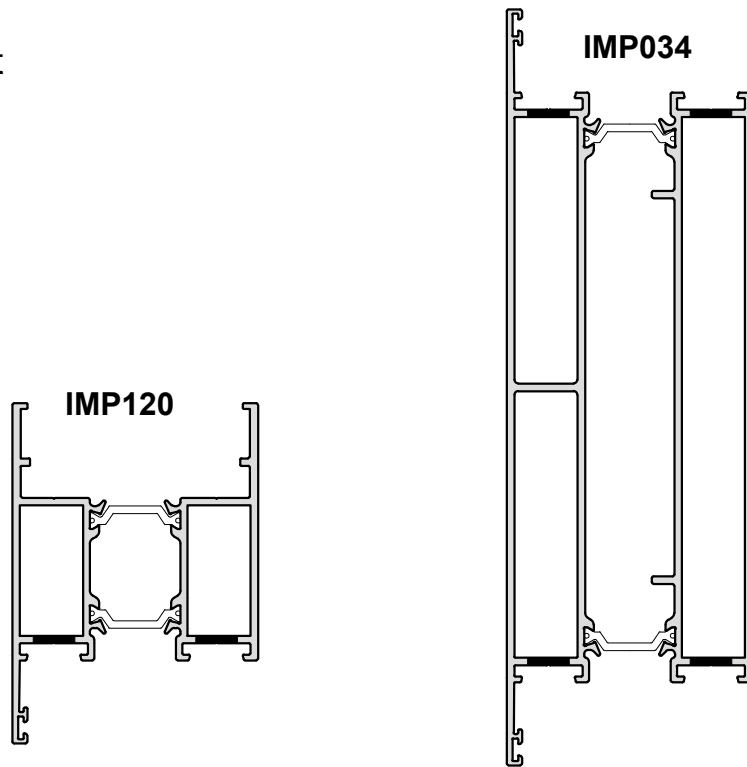
- 4 x Bracket A:
- 1 x PUA028
- 1 x ACDR051
- 4 x Bracket B:
- 1 x ACET290
- 2 x MUA026SSZ

Do Not Scale From This Drawing

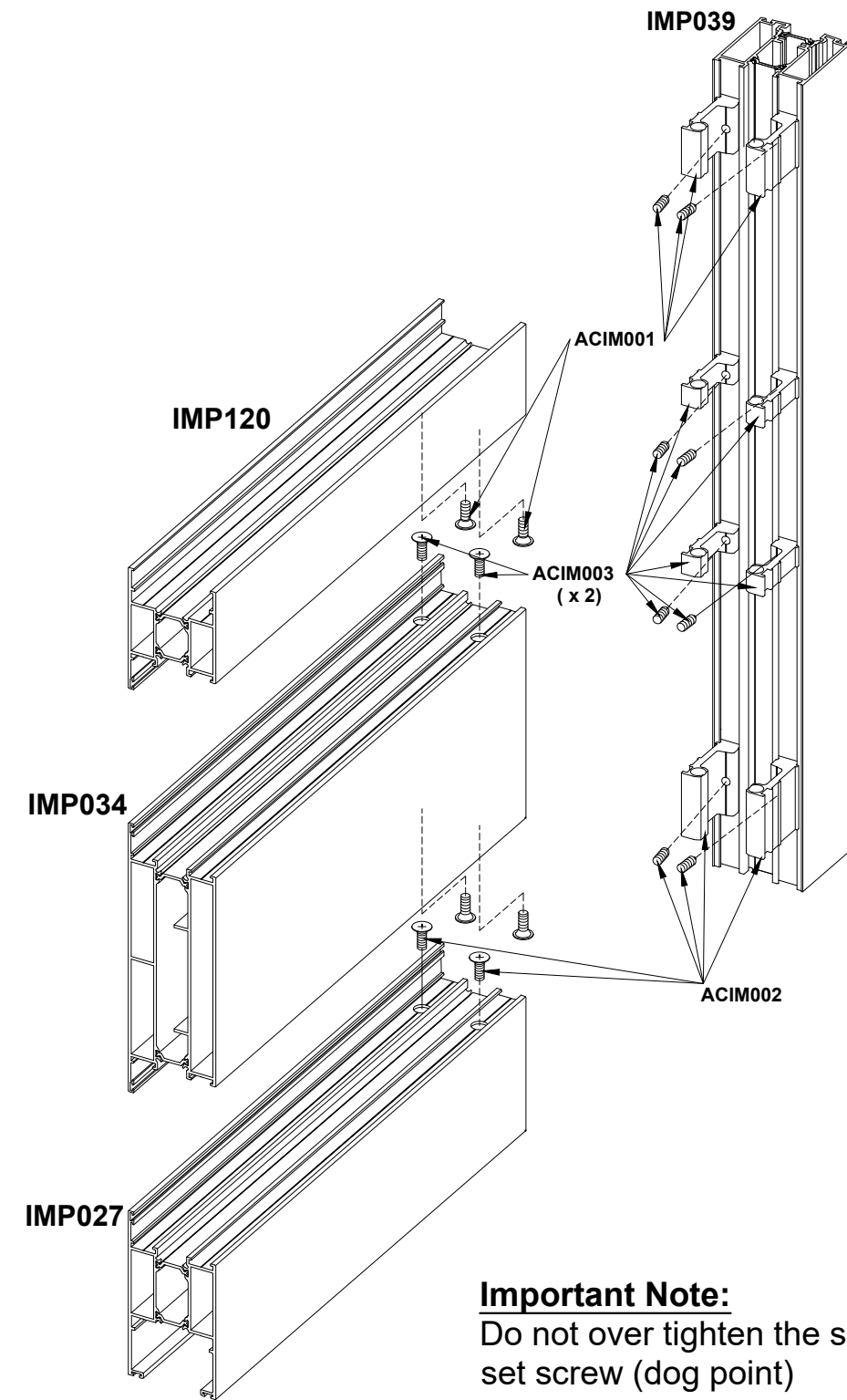
Door Assembly

Important Note:

Do not over tighten the socket set screw (dog point)



To Ensure Accuracy
Use recommended
Drill Jig - **ACIM901A**

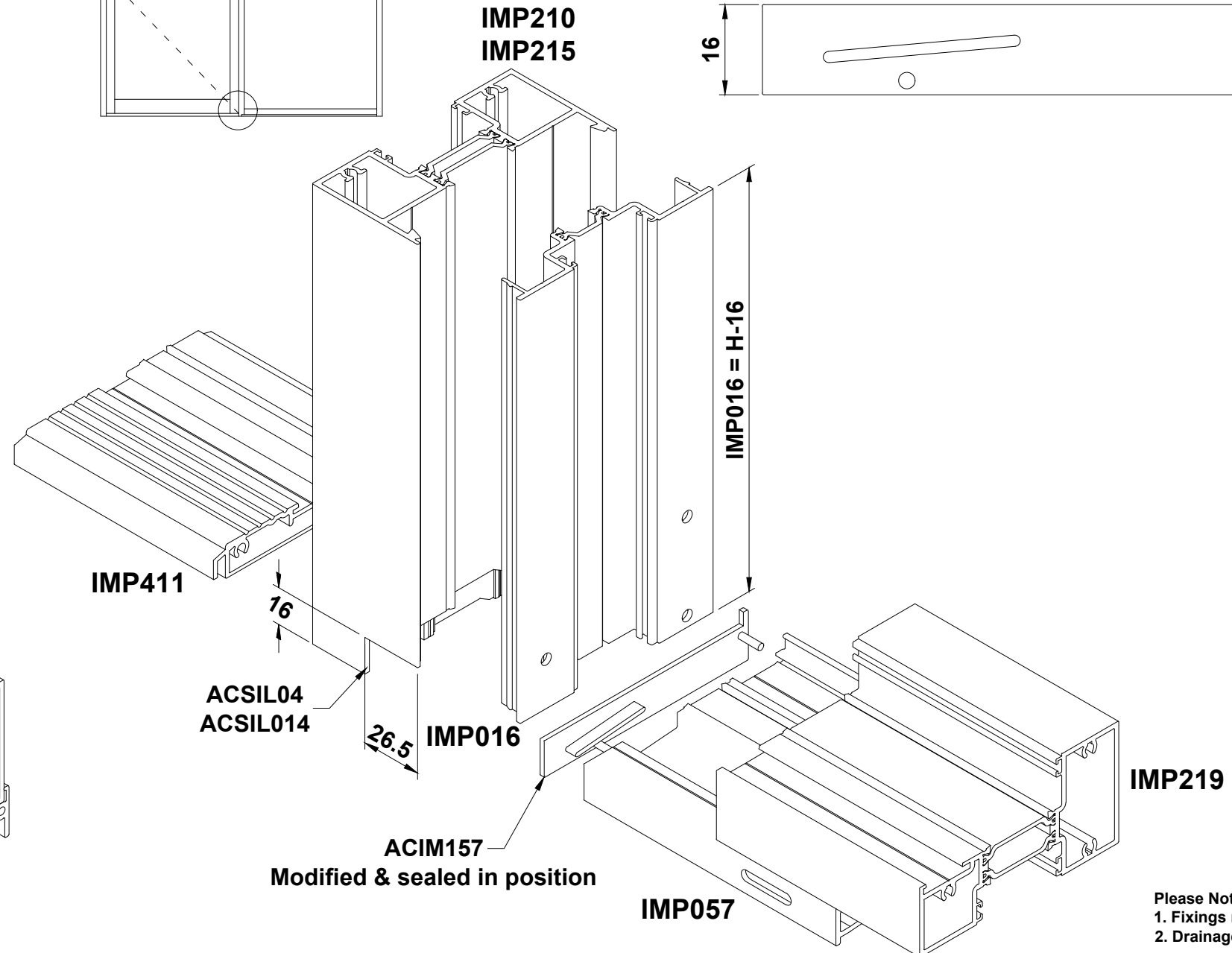
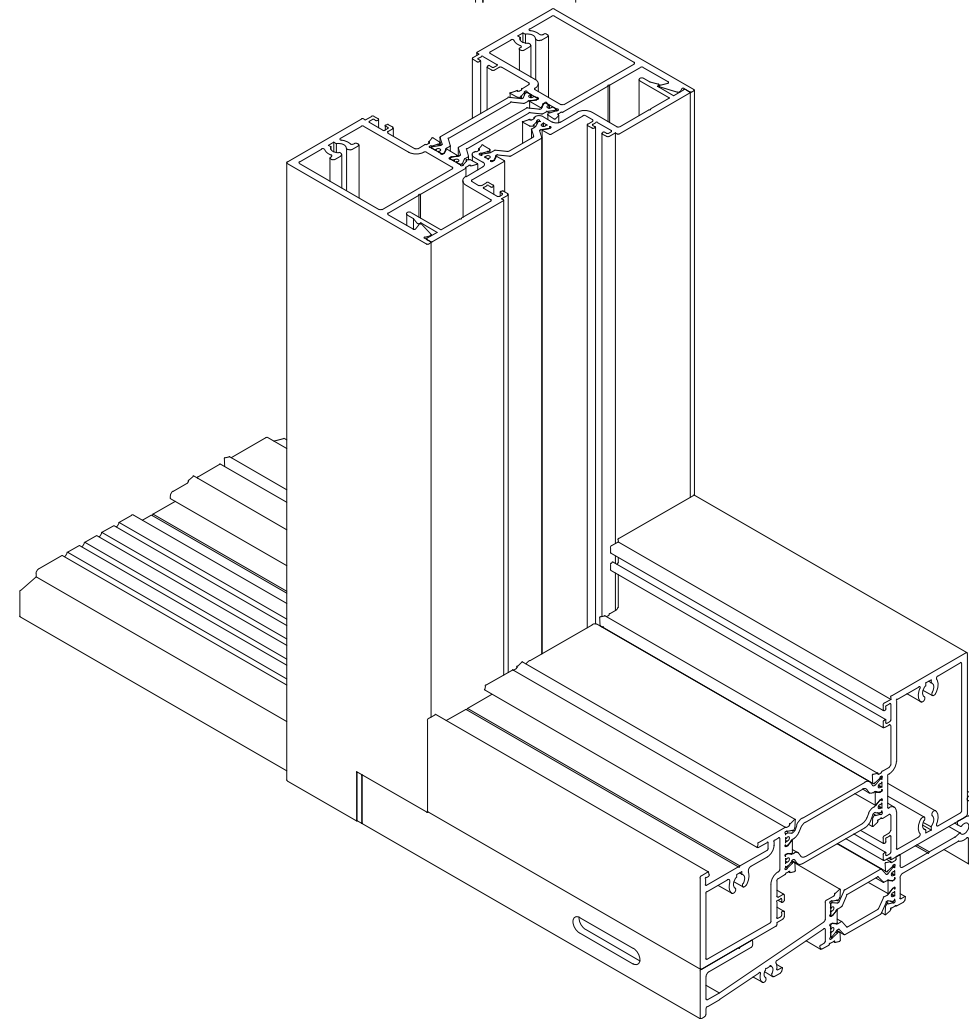
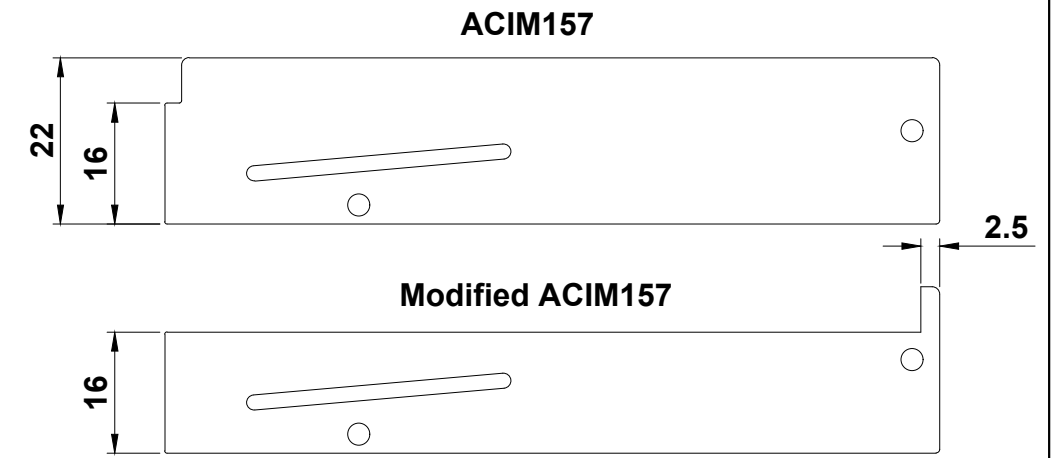
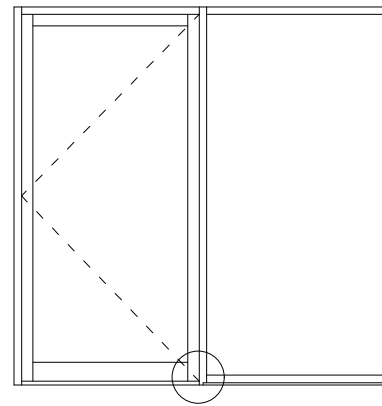
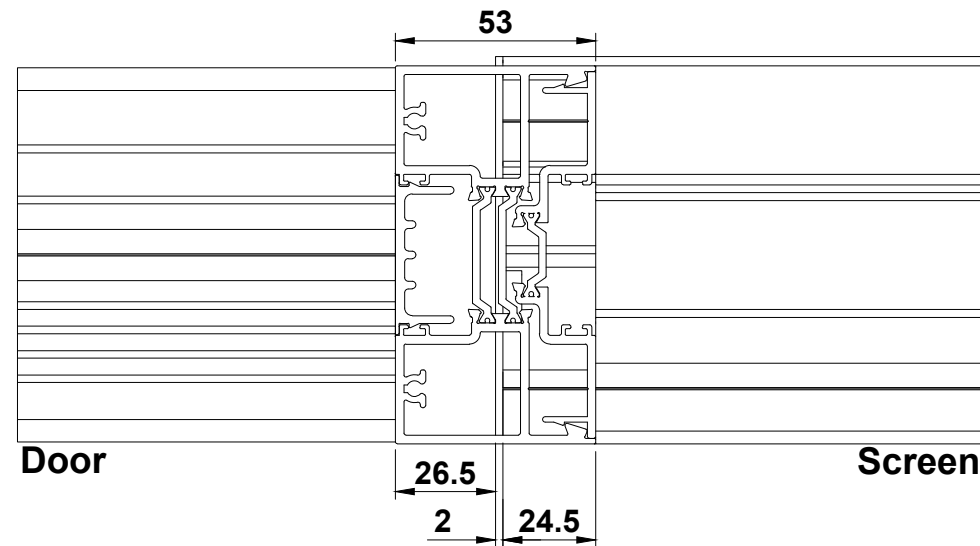


Important Note:

Do not over tighten the socket set screw (dog point)

Do Not Scale From This Drawing

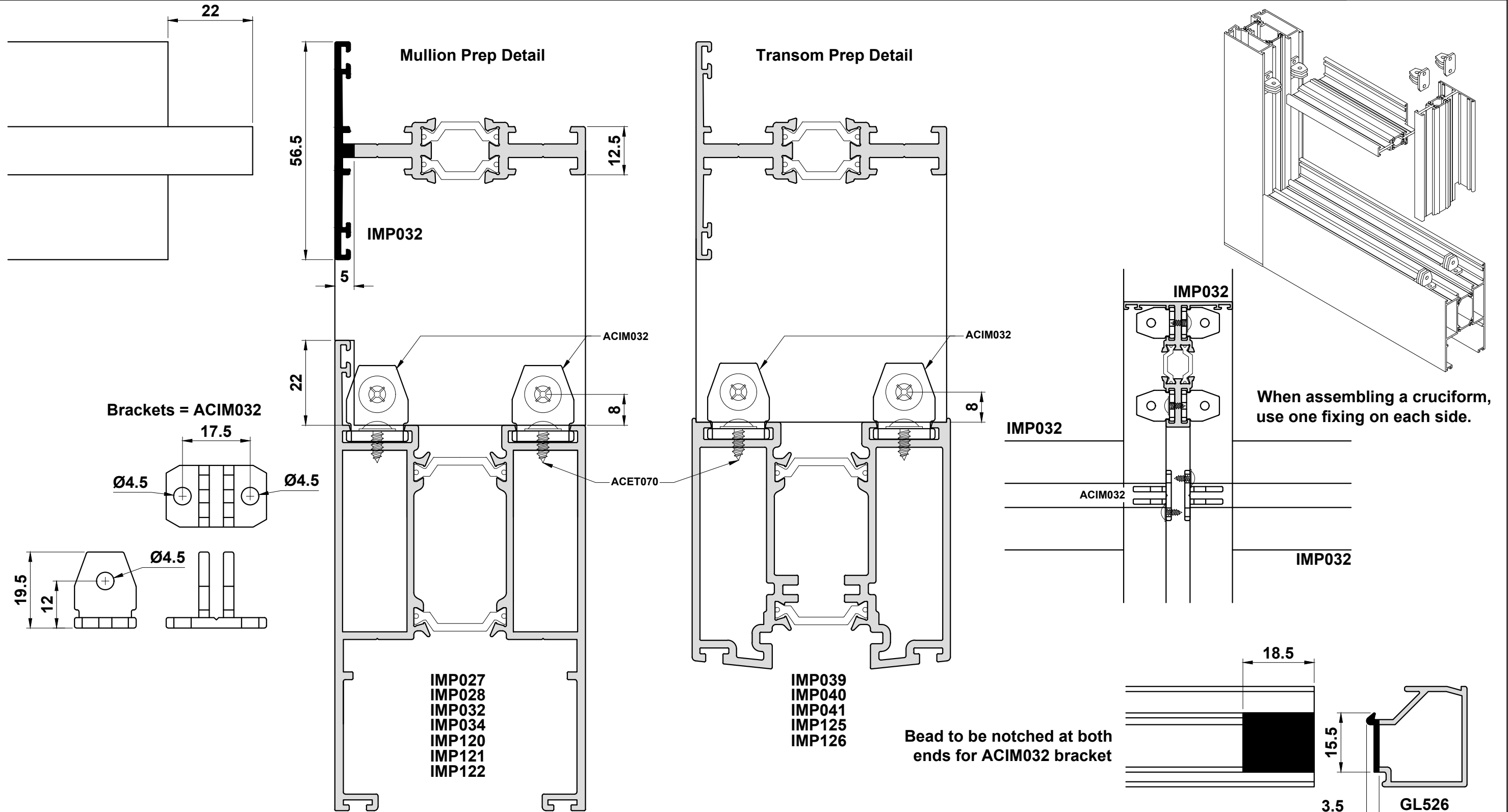
Door - Side Screen Coupling



Please Note:
1. Fixings not shown for clarity
2. Drainage detail as manual

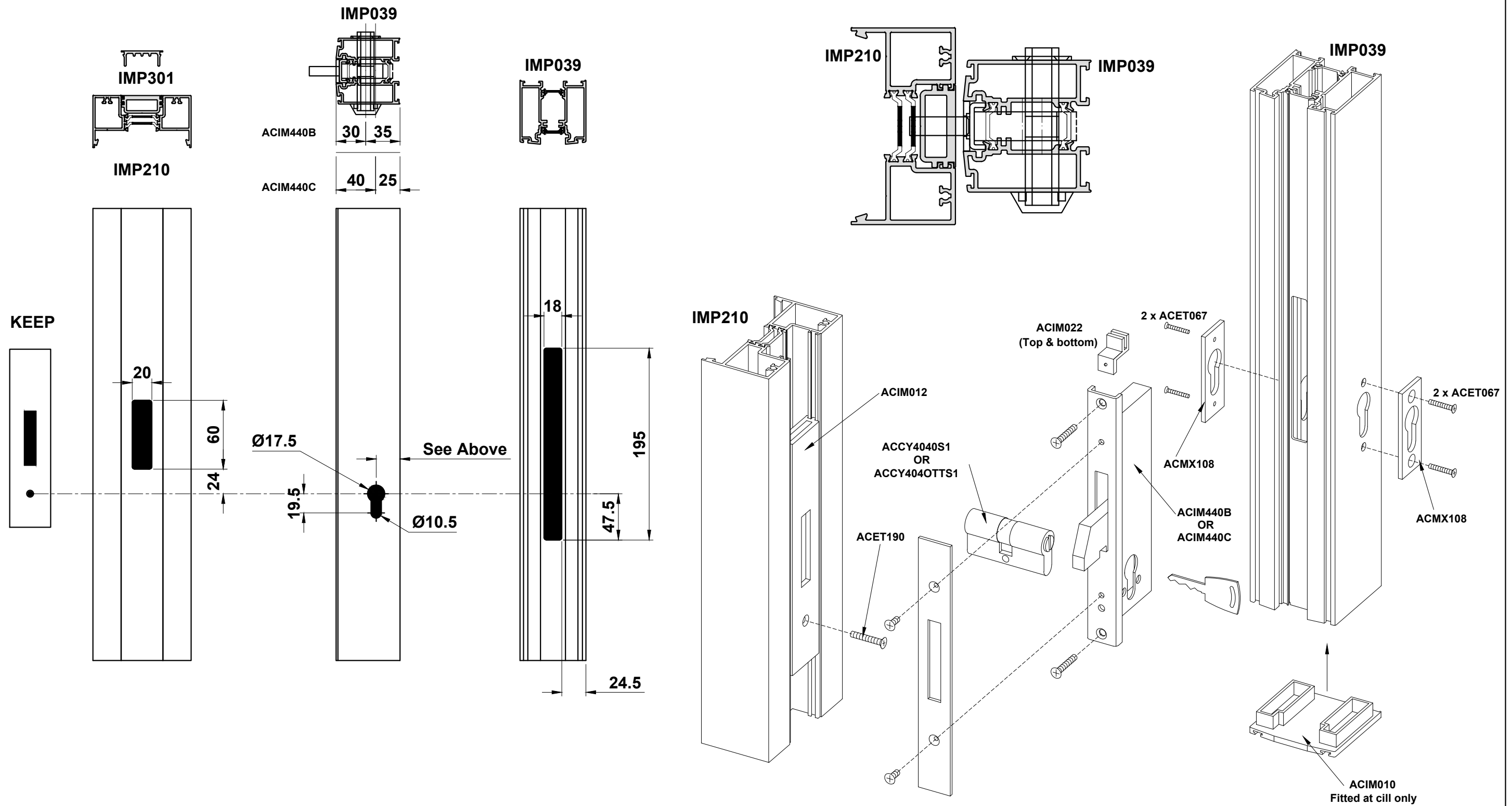
Do Not Scale From This Drawing

IMP032 Preparation

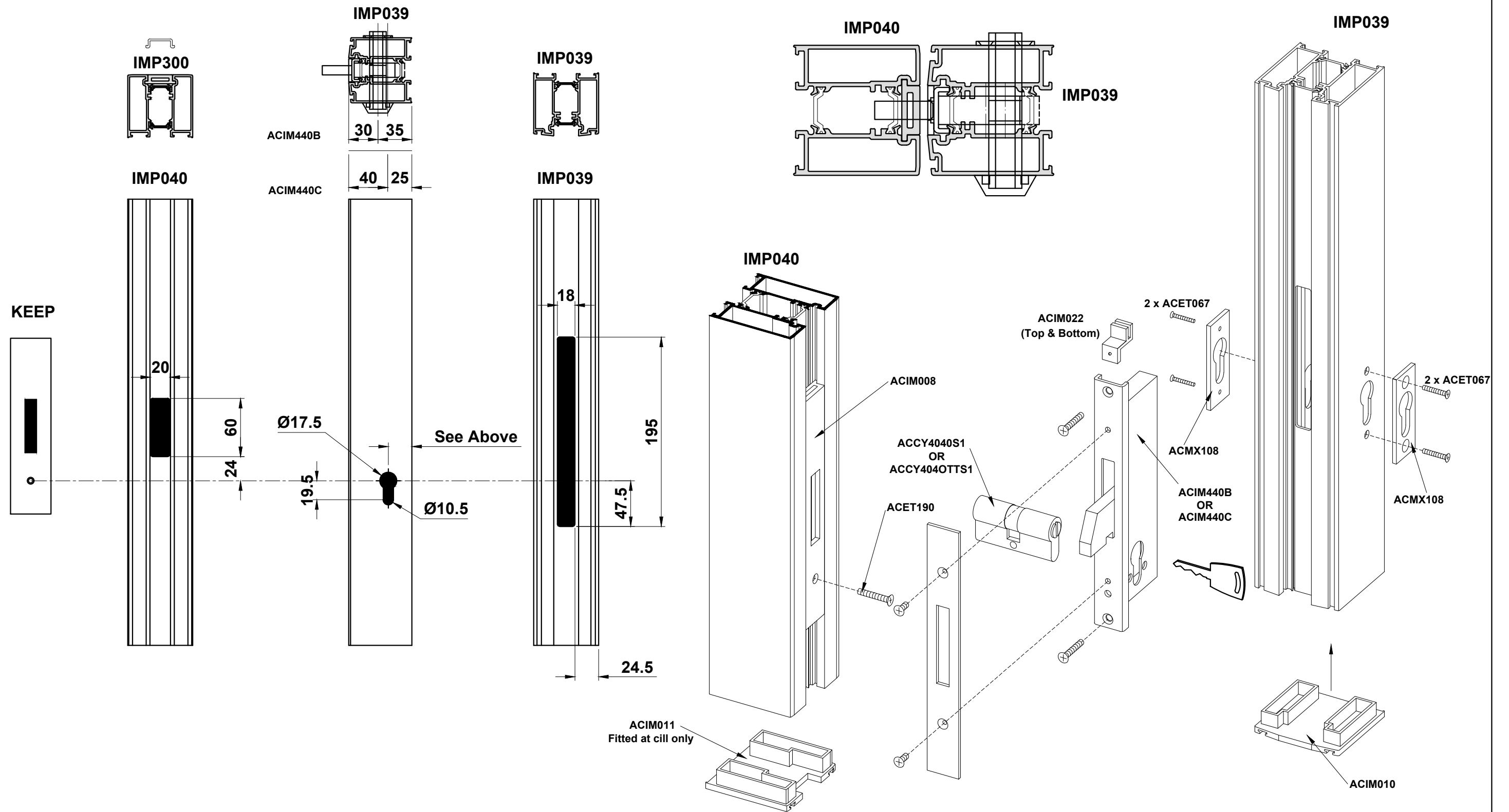


Do Not Scale From This Drawing

Single Door Lock Preparation



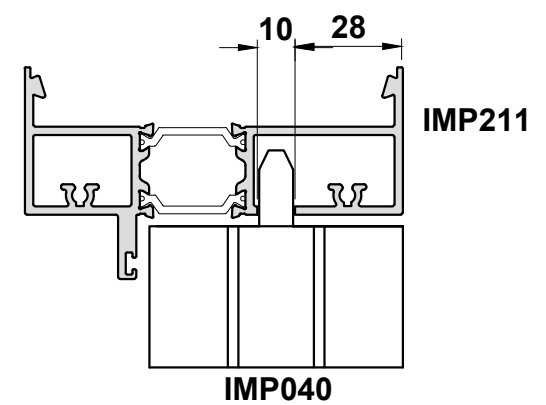
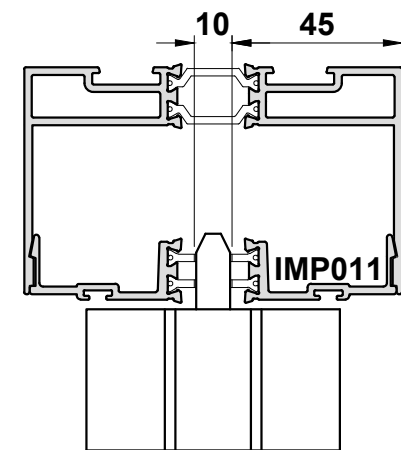
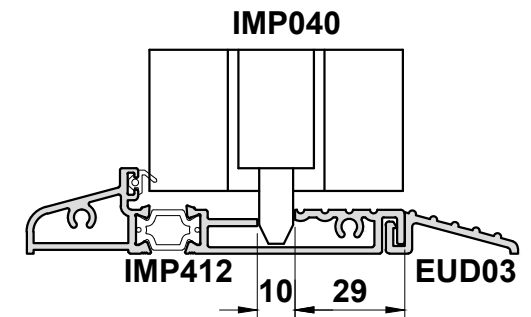
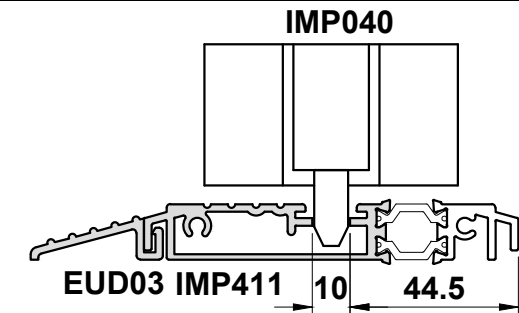
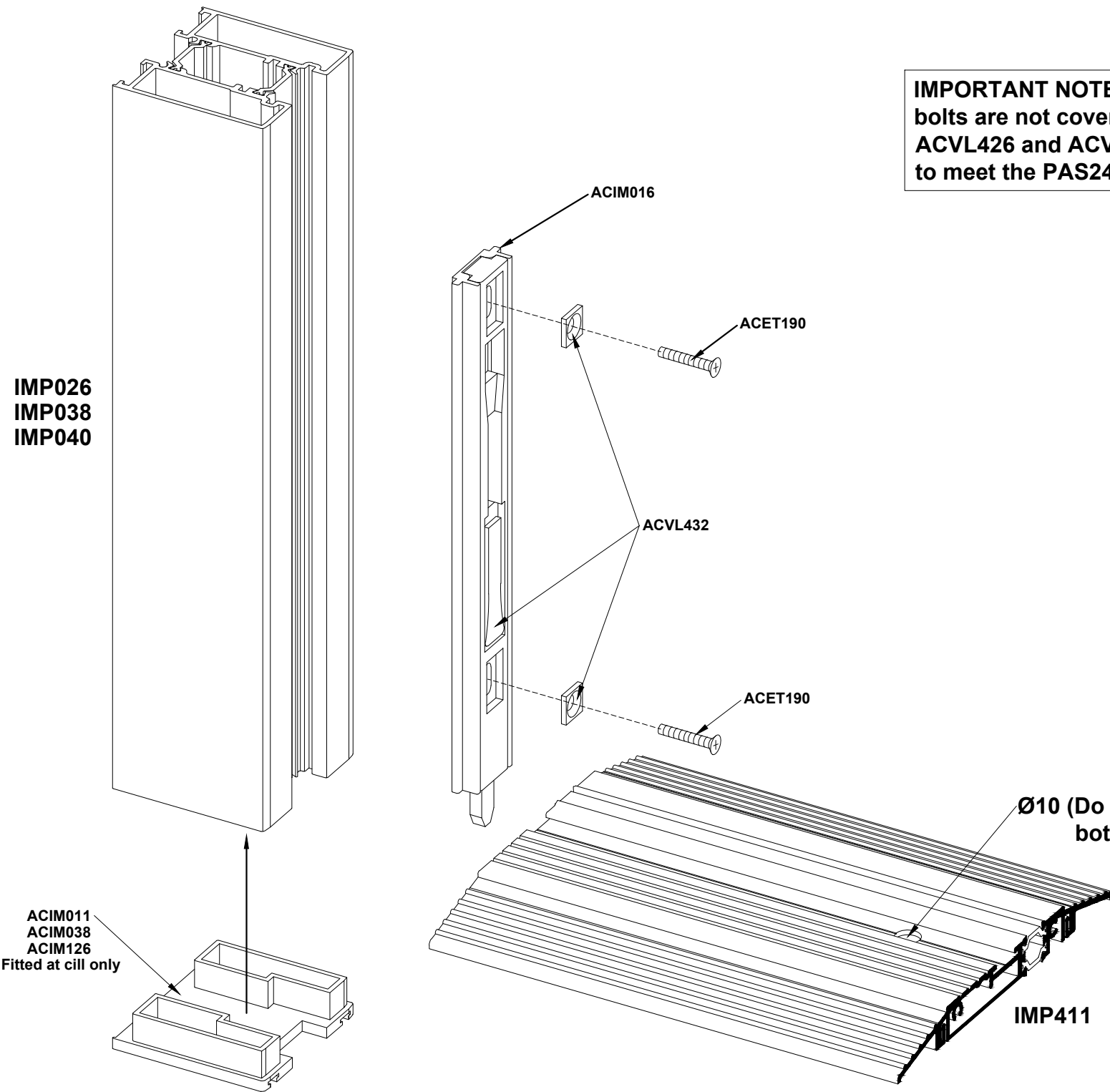
Double Door Lock Preparation



Do Not Scale From This Drawing

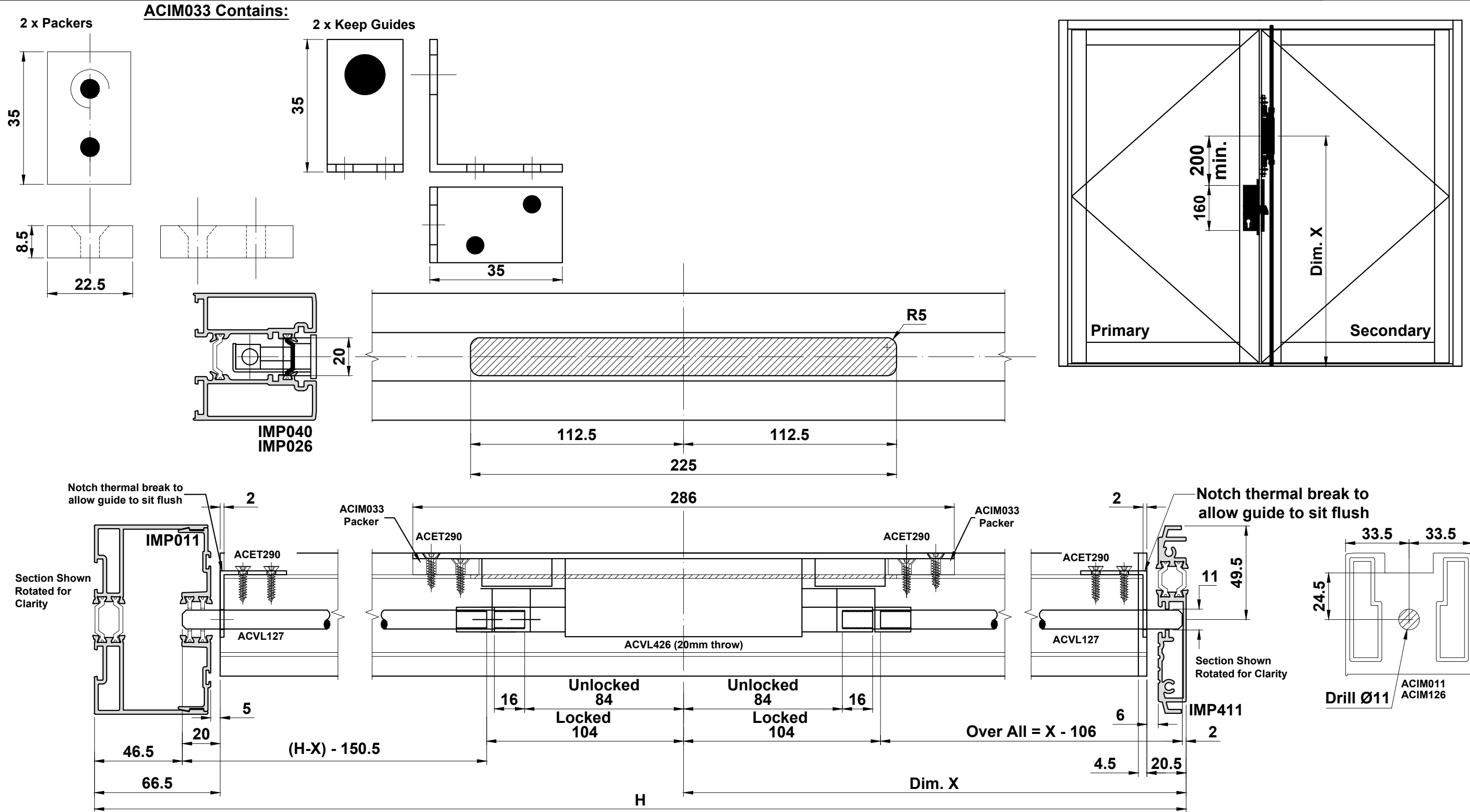
Finger Bolt Assembly

IMPORTANT NOTE: ACVL432 Finger bolts are not covered by PAS24. ACVL426 and ACVL127 must be used to meet the PAS24:2016 criteria



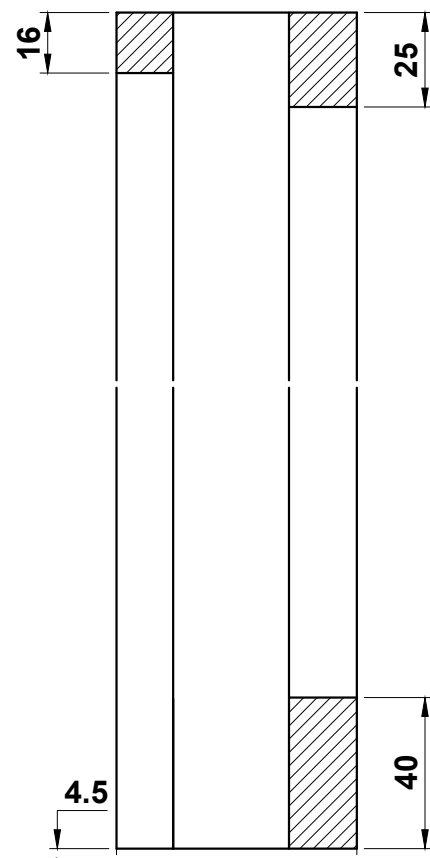
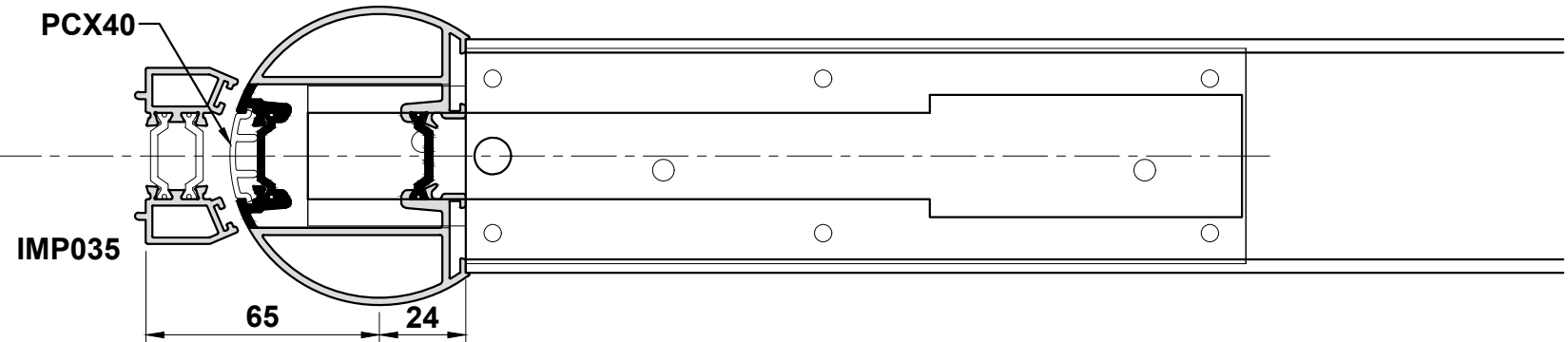
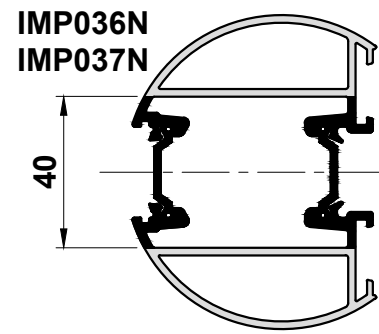
Do Not Scale From This Drawing

ACVL426, ACVL127, ACIM033 Assembly

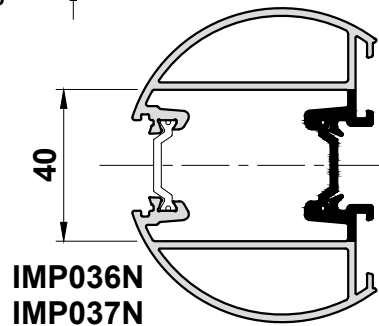


Do Not Scale From This Drawing

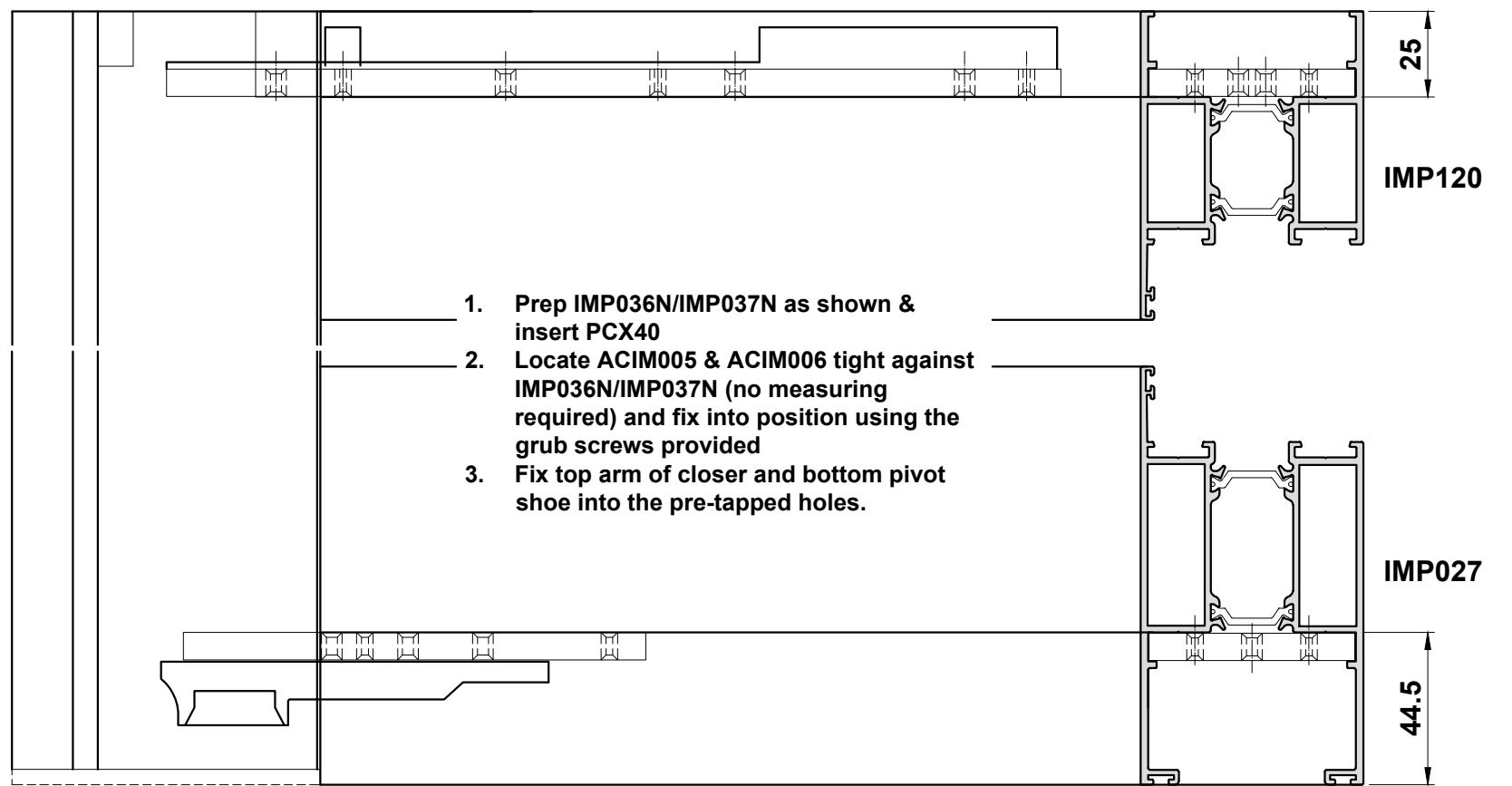
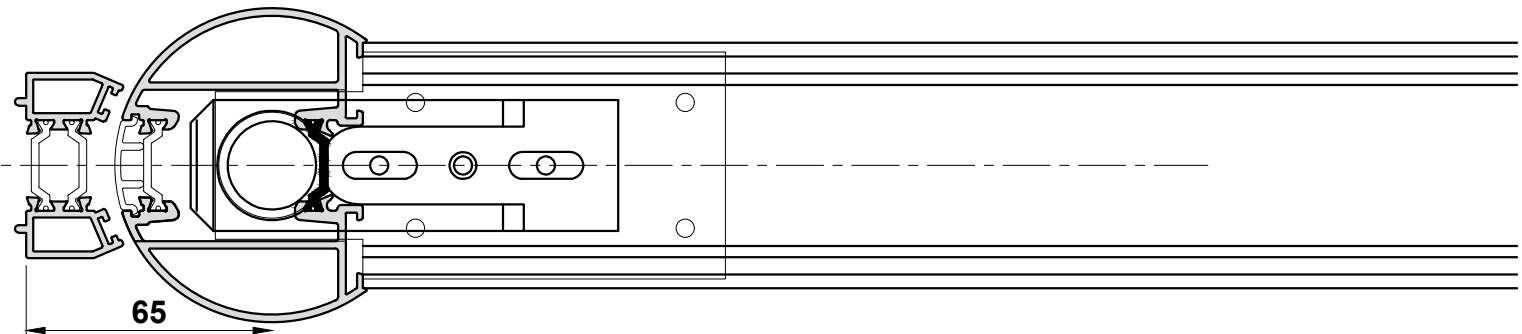
Door Closer Assembly



ACIM009 End Cap



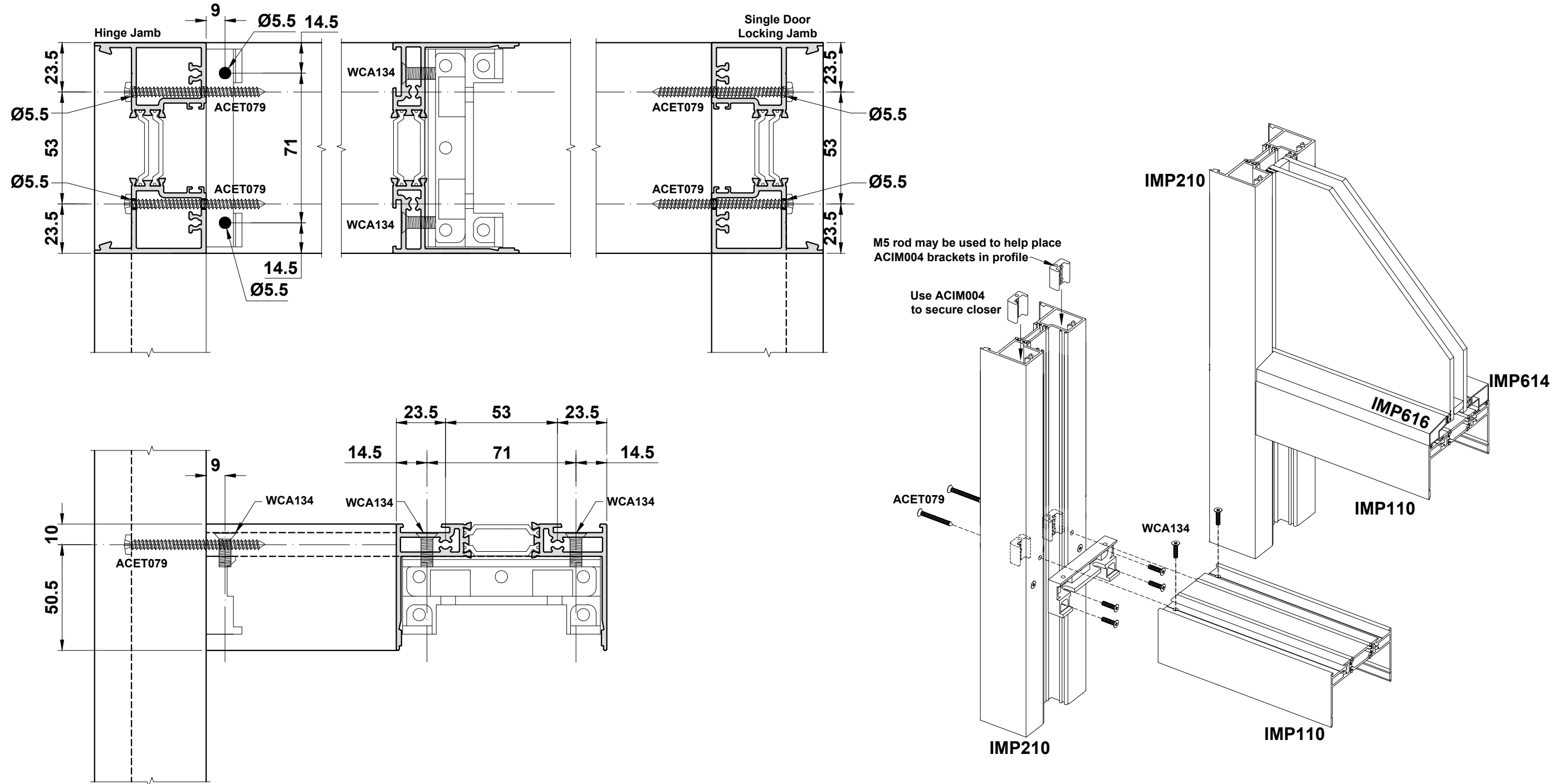
IMP035



1. Prep IMP036N/IMP037N as shown & insert PCX40
2. Locate ACIM005 & ACIM006 tight against IMP036N/IMP037N (no measuring required) and fix into position using the grub screws provided
3. Fix top arm of closer and bottom pivot shoe into the pre-tapped holes.

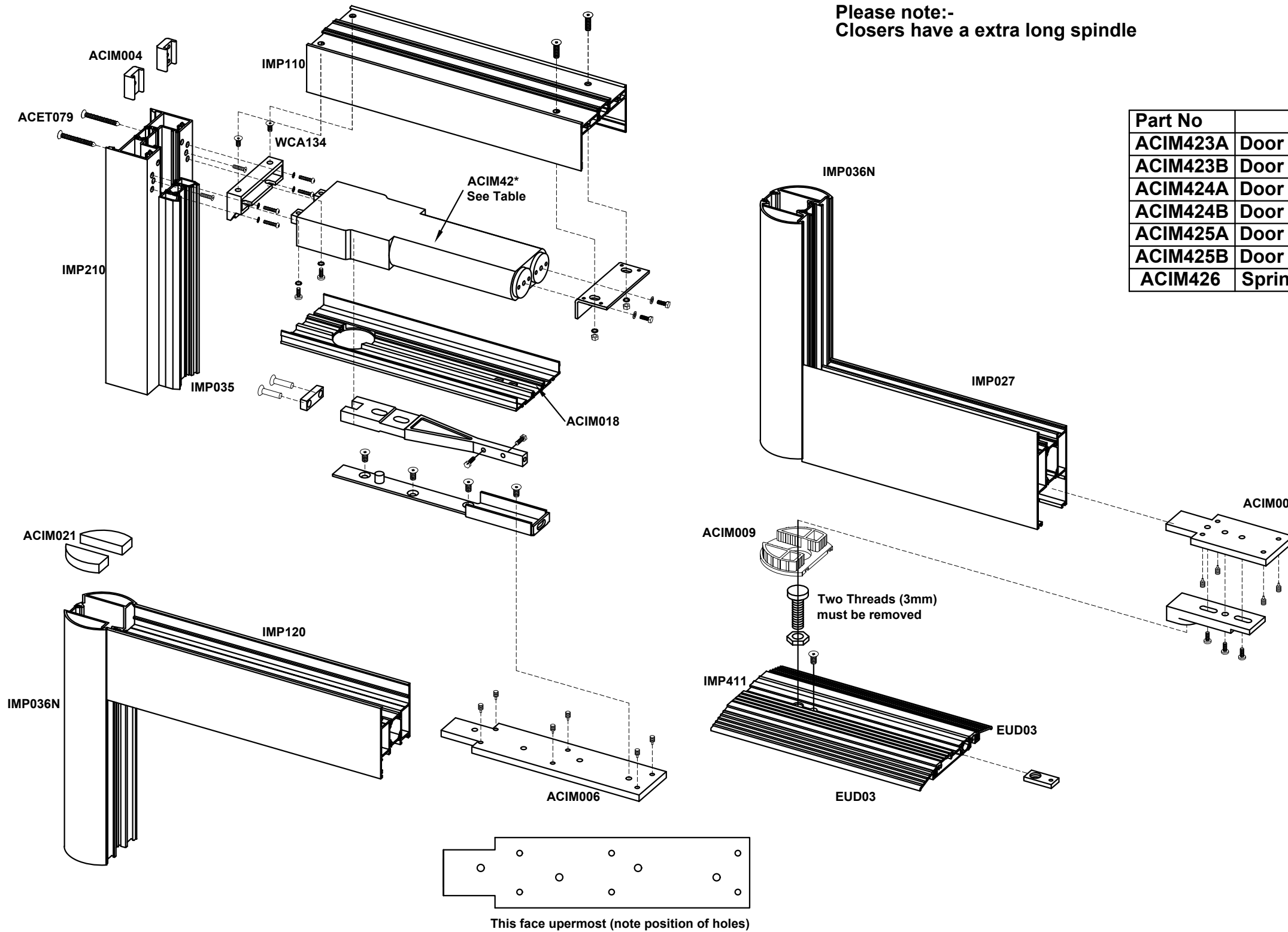
Do Not Scale From This Drawing

IMP110 Assembly for Single & Double Doors



Door Closer Assembly

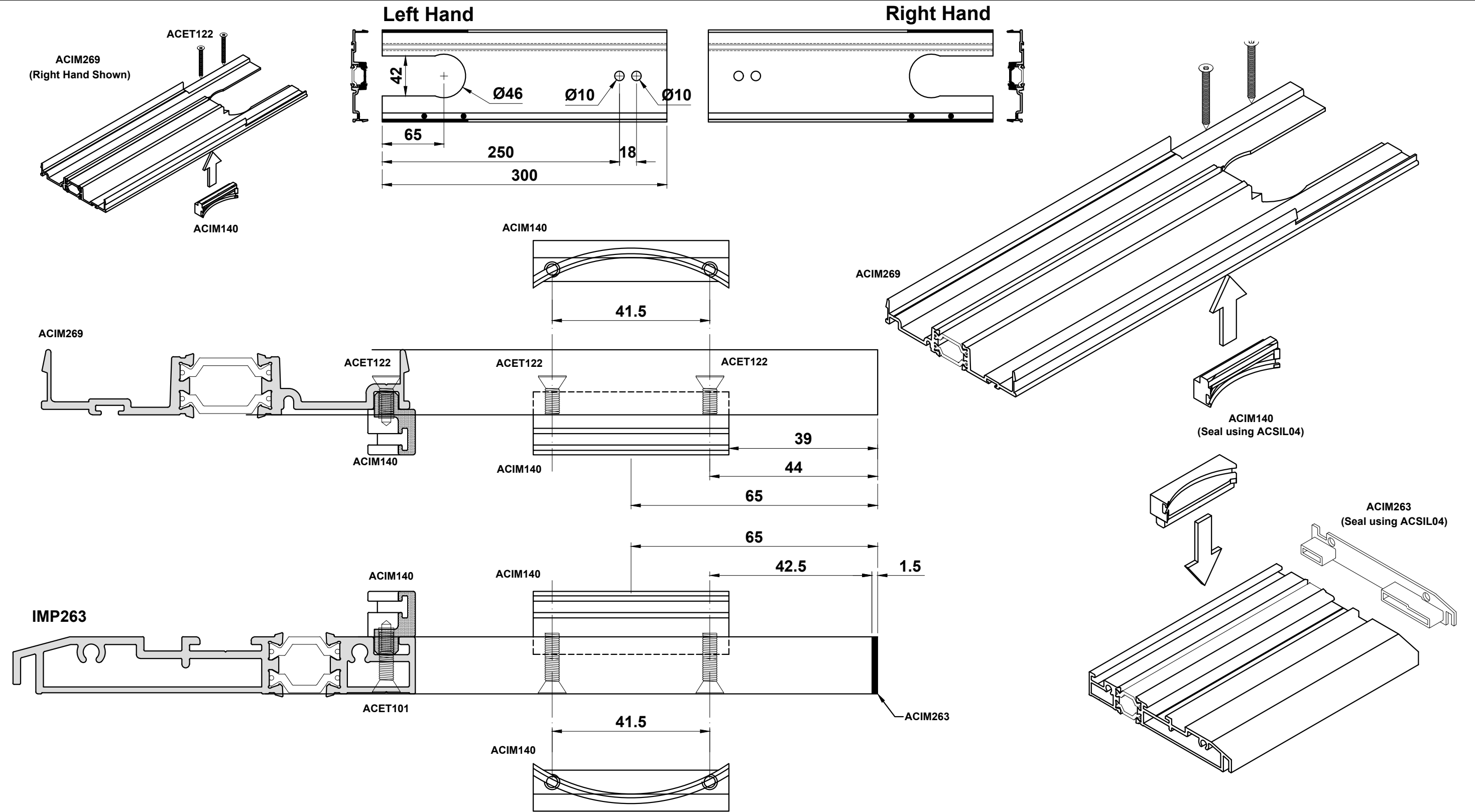
Please note:-
Closers have a extra long spindle



Part No	Description
ACIM423A	Door Closer Not Hold Open 750/950
ACIM423B	Door Closer Hold Open 750/950
ACIM424A	Door Closer Not Hold Open 950/1150
ACIM424B	Door Closer Hold Open 950/1150
ACIM425A	Door Closer Not Hold Open <750
ACIM425B	Door Closer Hold Open <750
ACIM426	Springless Door Closer <750/1150

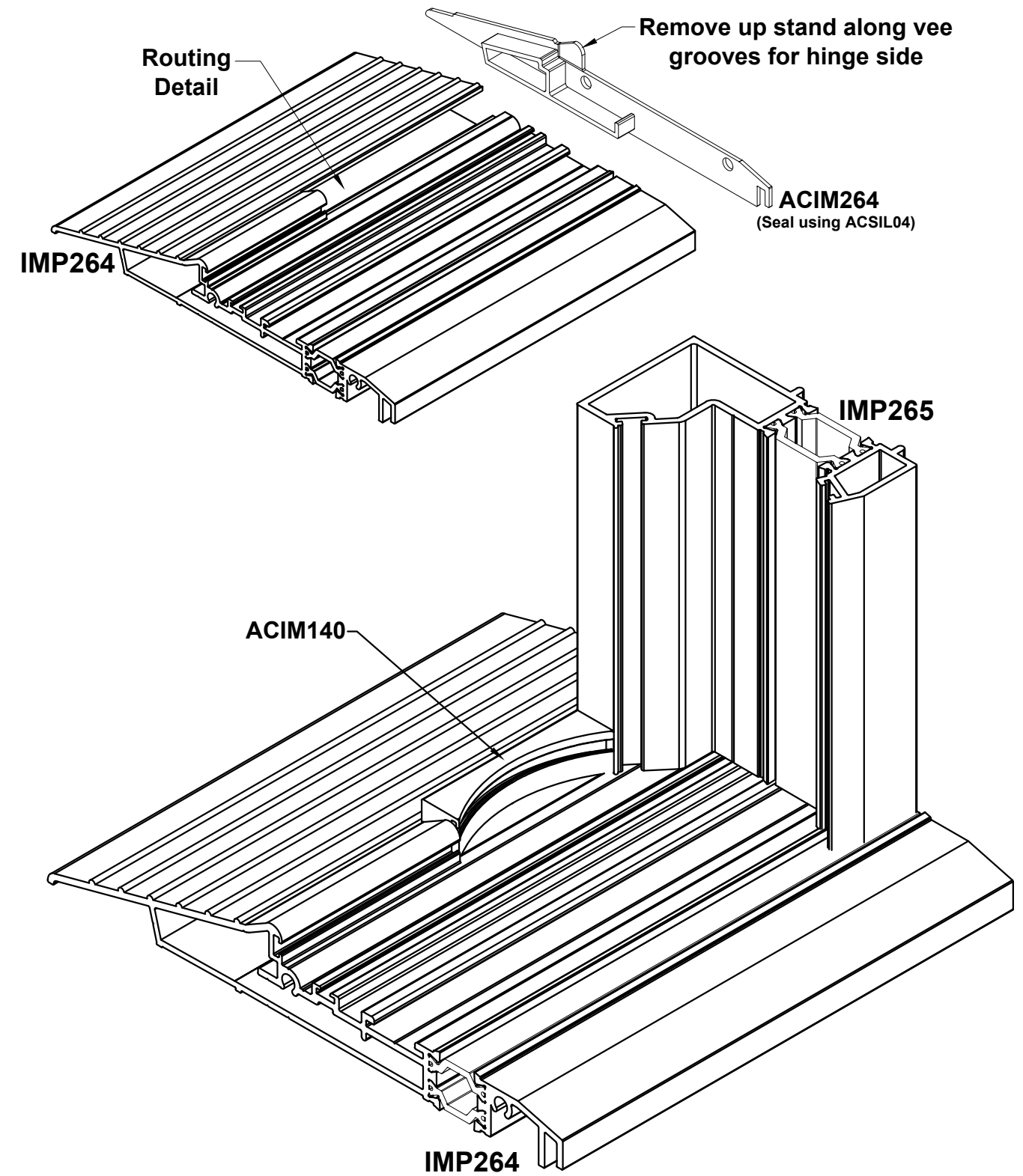
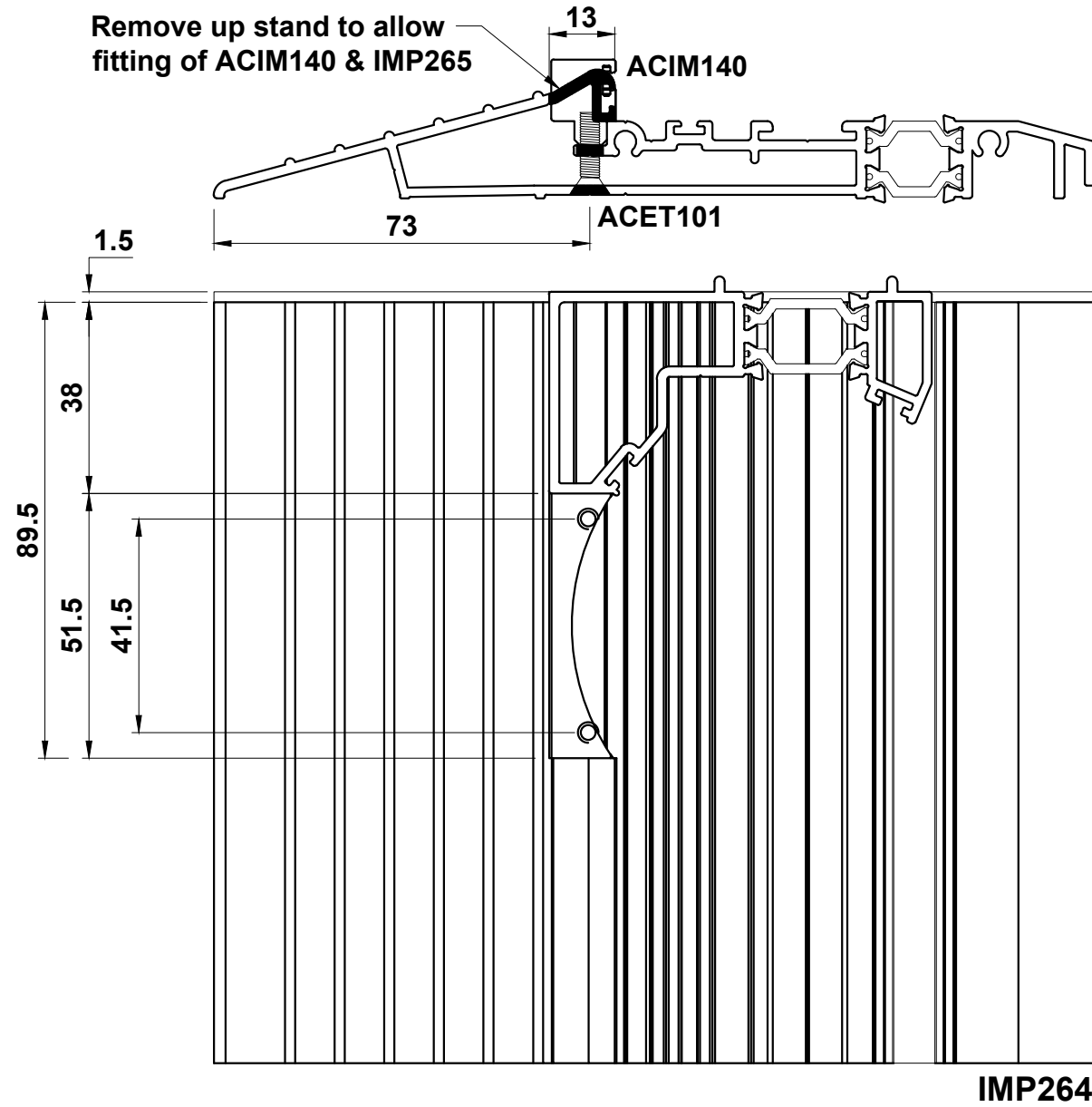
Do Not Scale From This Drawing

Rebated Door Closer Assembly



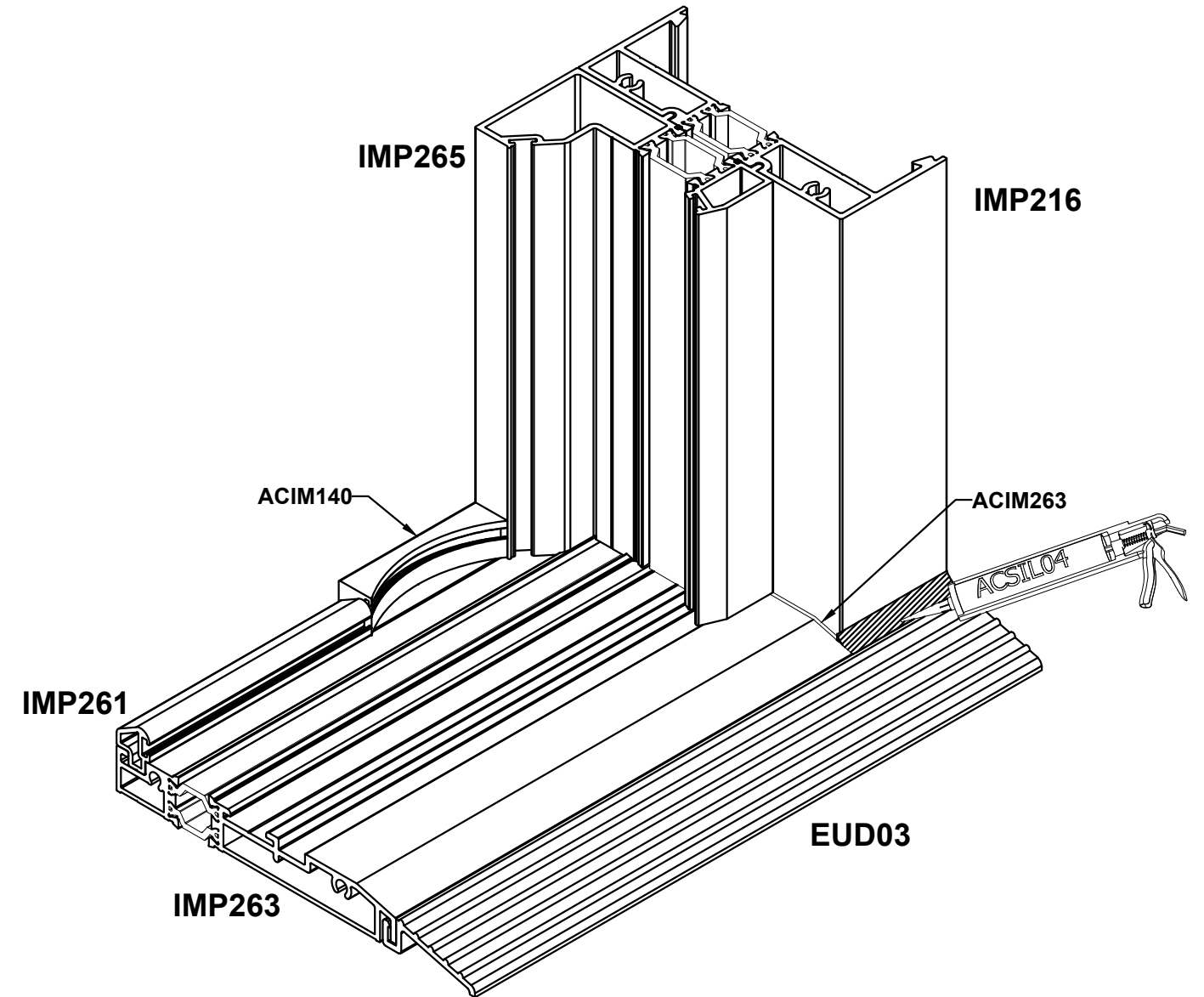
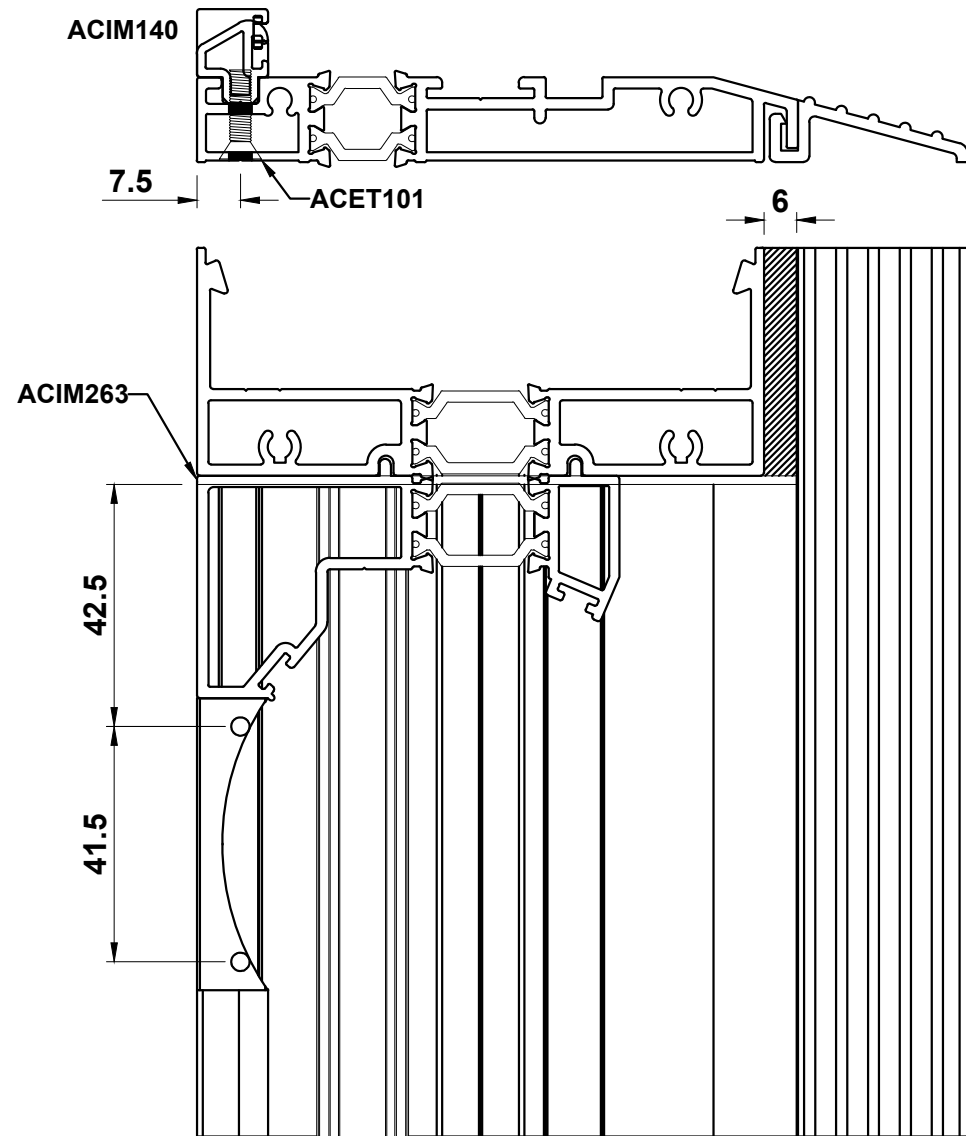
Do Not Scale From This Drawing

AFT Rebated Door Open In Threshold Preparation



Do Not Scale From This Drawing

AFT Rebated Door Open Out Threshold Preparation



Do Not Scale From This Drawing

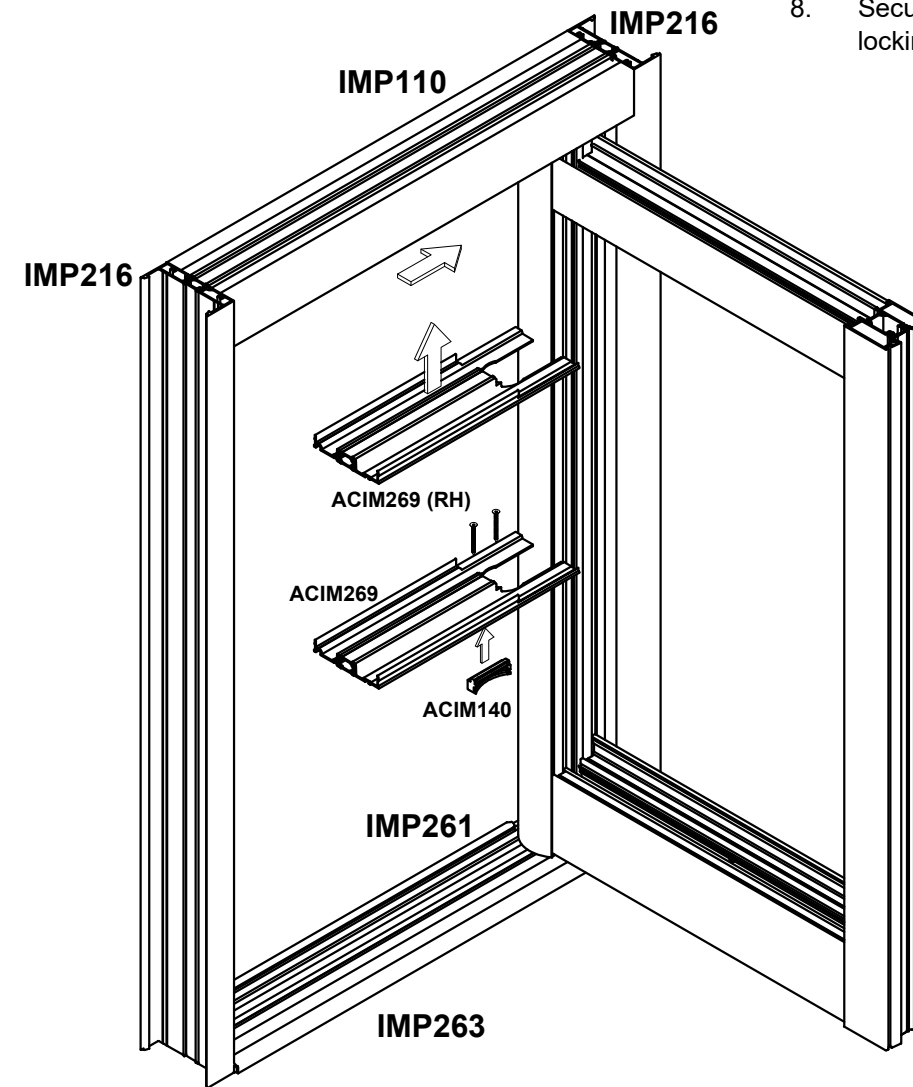
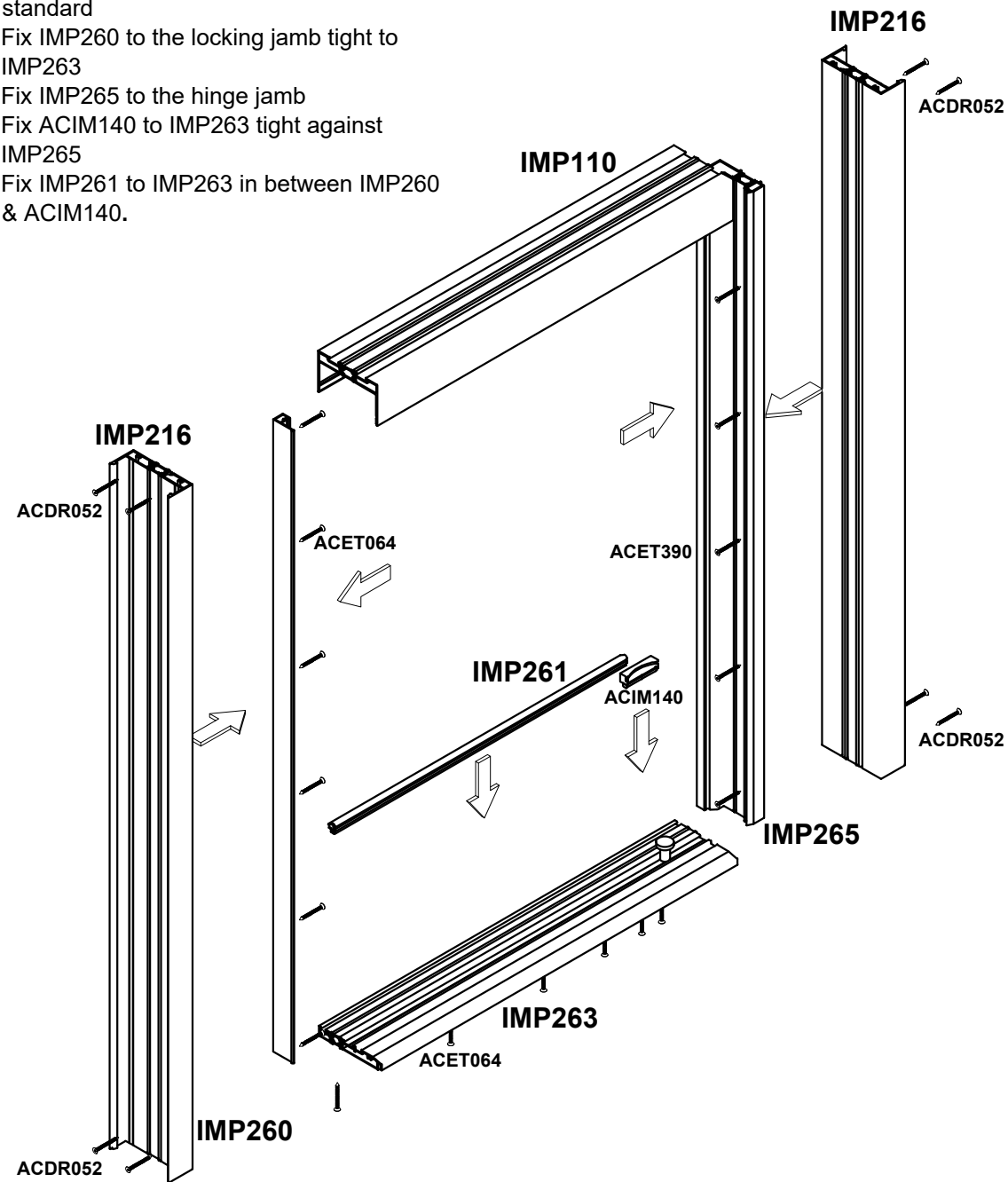
Rebated Door Closer Assembly Process

Assembly Instructions:

1. Assemble IMP110, IMP216 & IMP263 as standard
2. Fix IMP260 to the locking jamb tight to IMP263
3. Fix IMP265 to the hinge jamb
4. Fix ACIM140 to IMP263 tight against IMP265
5. Fix IMP261 to IMP263 in between IMP260 & ACIM140.

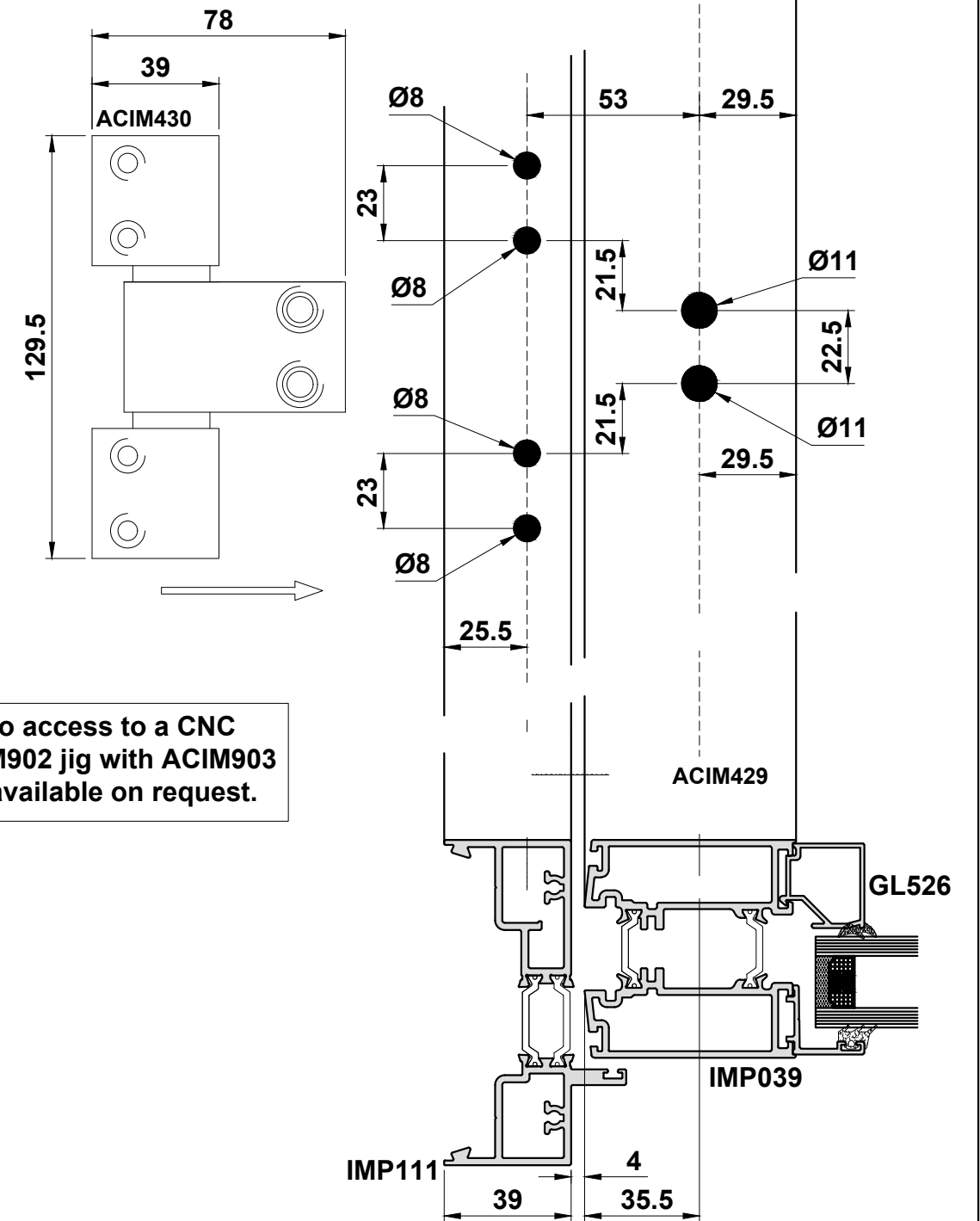
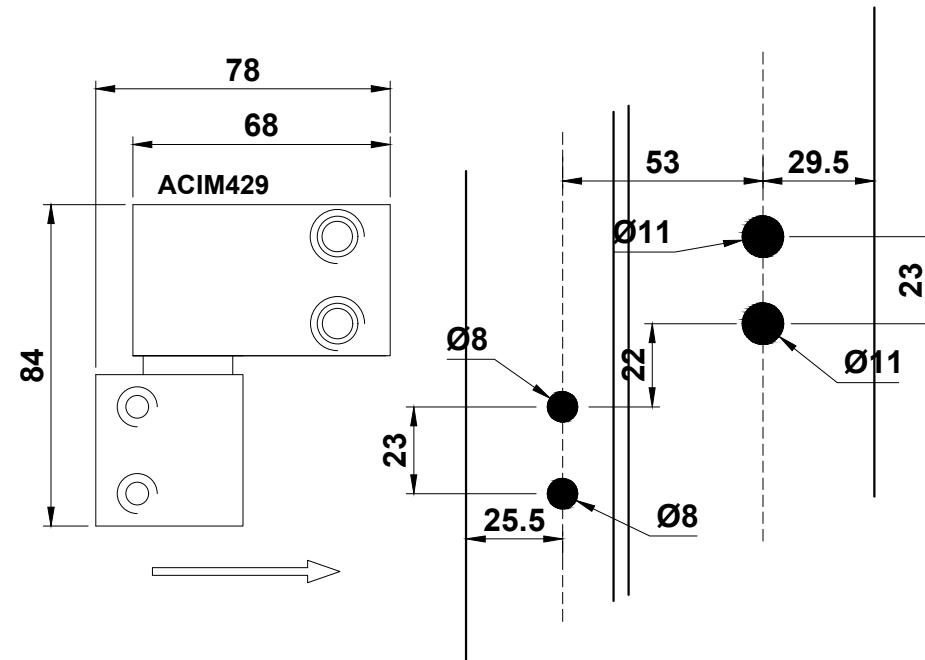
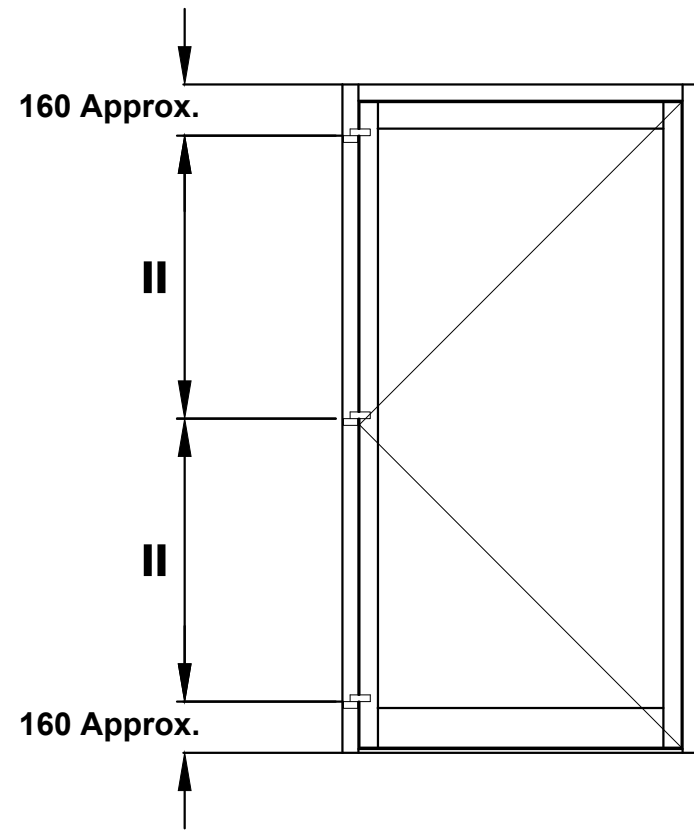
Assembly Instructions continued:

6. Hang door sash
7. With ACIM140 secured to ACIM269, clip the ACIM269 into IMP110 and slide tight against IMP265 over the closer pivot
8. Secure IMP262 to IMP269 flush to the locking side and clip into IMP110.



Do Not Scale From This Drawing

ACIM429, ACIM430 Fixing Details



If there is no access to a CNC machine, ACIM902 jig with ACIM903 adaptor are available on request.

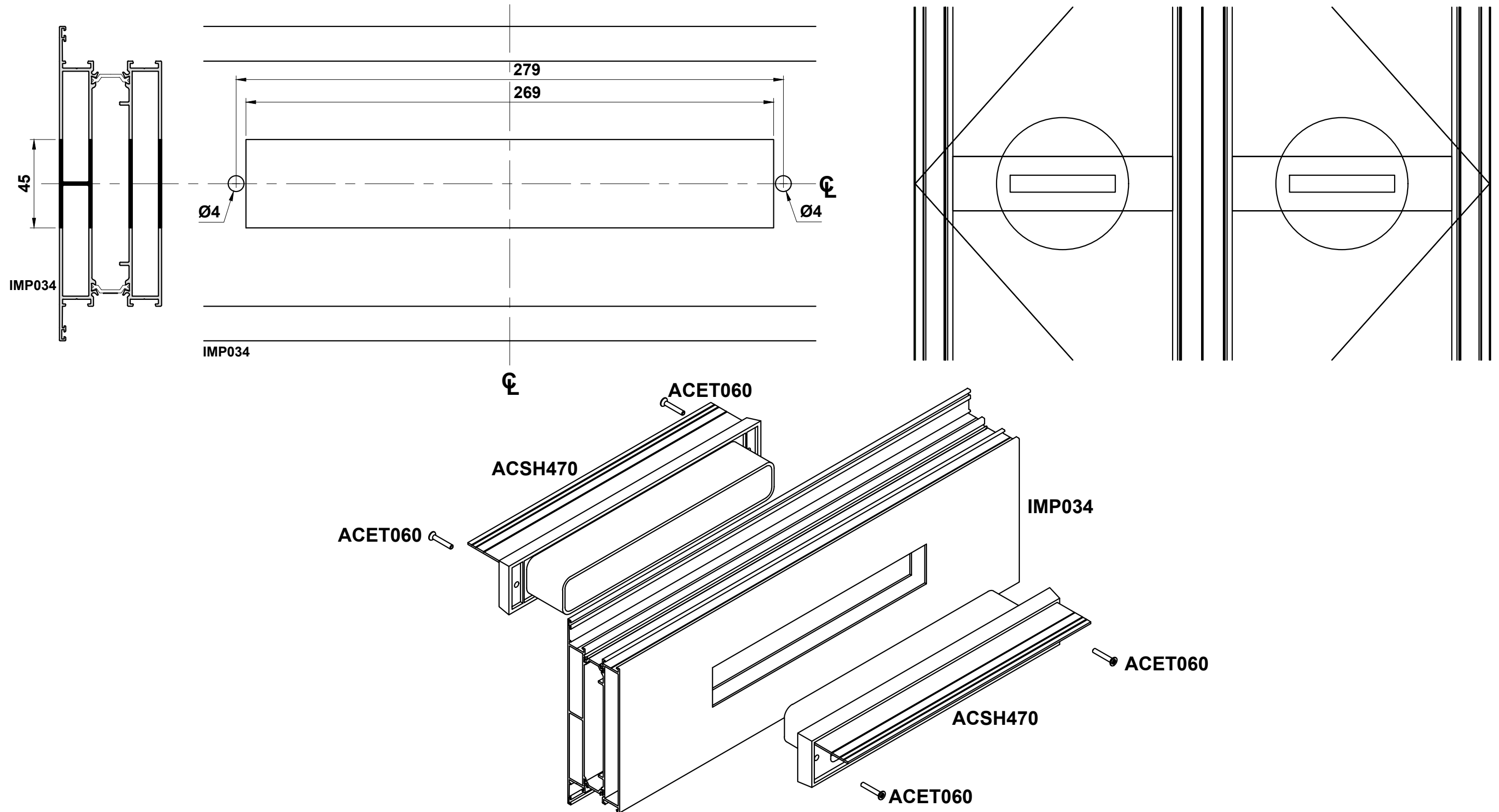
Weight Limitations:
2 Hinges = 80kg
3 Hinges = 100kg

Please note that door closers increase the loading of the door and their rate of wear. When calculating the weight of the door, 20% should be added to allow for the impact of a door closer without back-check and 75% should be added when using a closer with back-check.

Example:
Door closer without back-check: 65kg + 20% = 78kg (2 hinges)
Door closer with back-check: 55kg + 75% = 96kg (3 hinges)

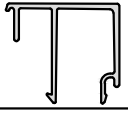

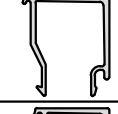
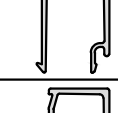
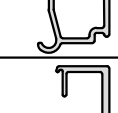
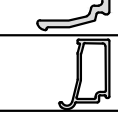

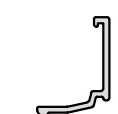
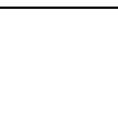
Do Not Scale From This Drawing

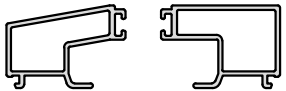
ACSH470 Letter Plate Fitting

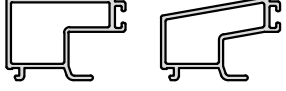



Do Not Scale From This Drawing

Glazing Details

Glazing Table for Doors			
Glass Thickness	External Gasket	Internal Gasket	Glazing Bead
23	ACVG31 (3mm)	ACVG34 (5mm)	GL030 
24	ACVG31 (3mm)	ACVG33 (4mm)	
25	ACVG31 (3mm)	ACVG32 (3mm)	
26	ACVG131 (4mm)	ACVG34 (5mm)	GL526 
27	ACVG31 (3mm)	ACVG34 (5mm)	
28	ACVG31 (3mm)	ACVG33 (4mm)	
29	ACVG31 (3mm)	ACVG32 (3mm)	GL023 
30	ACVG31 (3mm)	ACVG34 (5mm)	
31	ACVG31 (3mm)	ACVG33 (4mm)	
32	ACVG31 (3mm)	ACVG32 (3mm)	GL020 
33	ACVG31 (3mm)	ACVG34 (5mm)	
34	ACVG31 (3mm)	ACVG33 (4mm)	
35	ACVG31 (3mm)	ACVG32 (3mm)	GL1216 
36	ACVG131 (4mm)	ACVG34 (5mm)	
37	ACVG31 (3mm)	ACVG34 (5mm)	
38	ACVG31 (3mm)	ACVG33 (4mm)	GL014 
39	ACVG31 (3mm)	ACVG34 (5mm)	
40	ACVG31 (3mm)	ACVG33 (4mm)	
41	ACVG31 (3mm)	ACVG32 (3mm)	GL1212 
42	ACVG31 (3mm)	ACVG33 (4mm)	
43	ACVG31 (3mm)	ACVG32 (3mm)	
44	ACVG31 (3mm)	ACVG34 (5mm)	GL008 
45	ACVG31 (3mm)	ACVG34 (5mm)	
46	ACVG31 (3mm)	ACVG33 (4mm)	
47	ACVG31 (3mm)	ACVG32 (3mm)	GL004 
48	ACVG131 (4mm)	ACVG34 (5mm)	
49	ACVG31 (3mm)	ACVG34 (5mm)	
50	ACVG31 (3mm)	ACVG33 (4mm)	
51	ACVG31 (3mm)	ACVG32 (3mm)	

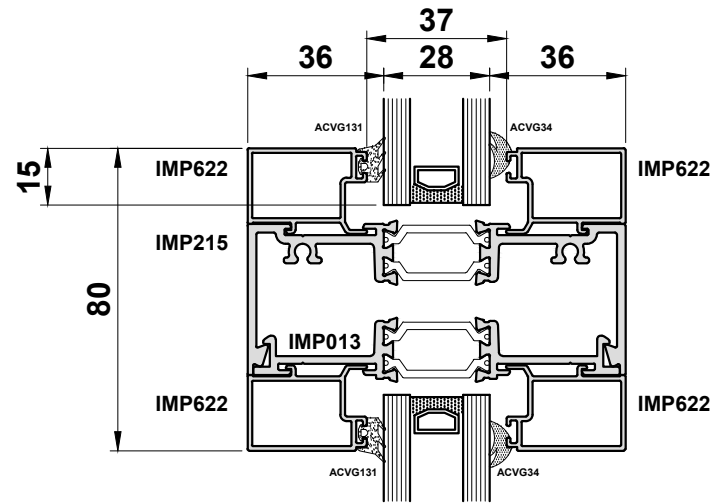
Glazing Table for IMP110			
Glass Thickness	External Gasket	Internal Gasket	Glazing Bead
28	ACVG131 (4mm)	ACVG34 (5mm)	IMP615 & IMP613 

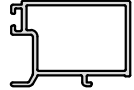
Glazing Table for IMP030 & IMP217			
Glass Thickness	External Gasket	Internal Gasket	Glazing Bead
28	ACVG131 (4mm)	ACVG34 (5mm)	IMP613 or IMP615 

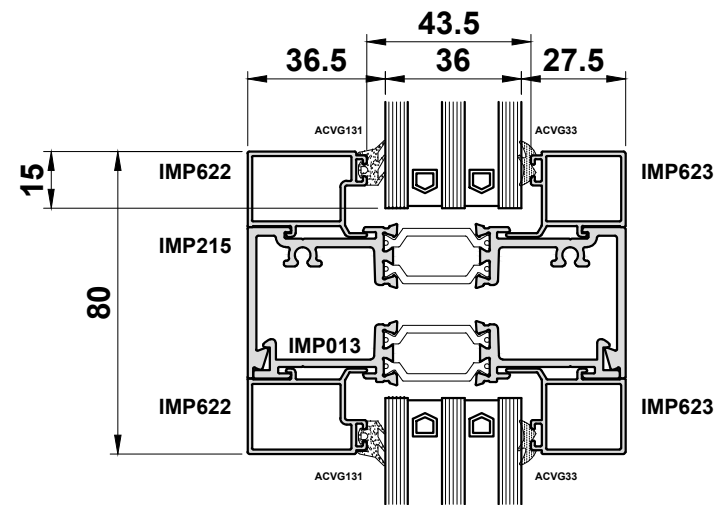
Glazing Table for IMP219			
Glass Thickness	External Gasket	Internal Gasket	Glazing Bead
28	ACVG131 (4mm)	ACVG34 (5mm)	IMP614 or IMP616 


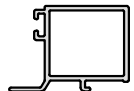
Do Not Scale From This Drawing

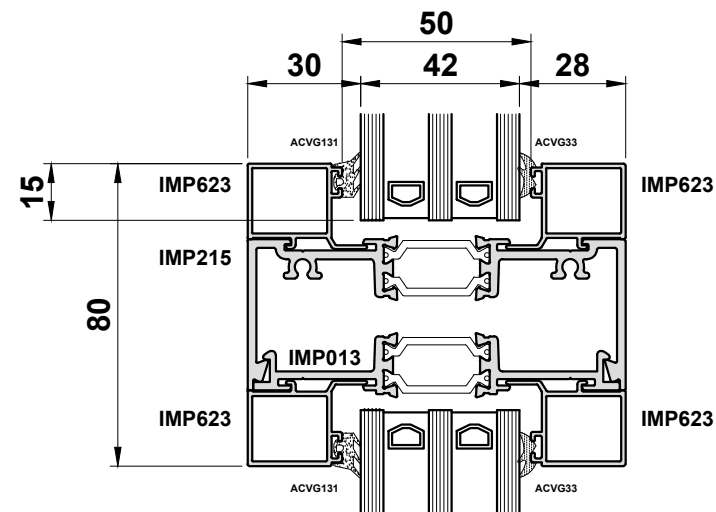
Glazing Details

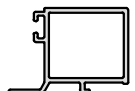


Glazing Table for IMP215 & IMP013			
Glass Thickness	External Gasket	Internal Gasket	Glazing Bead
28	ACVG131 (4mm)	ACVG34 (5mm)	IMP622 



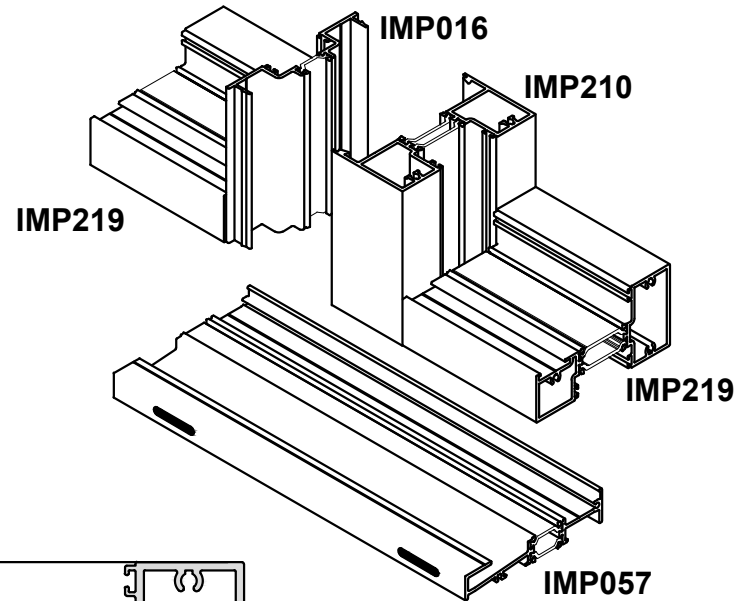
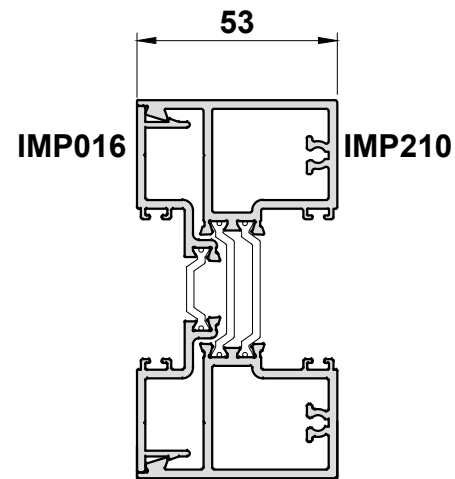
Glazing Table for IMP215 & IMP013				
Glass Thickness	External Gasket	Internal Gasket	Glazing Bead	Glazing Bead
36	ACVG131 (4mm)	ACVG33 (4mm)	IMP622 	IMP623 



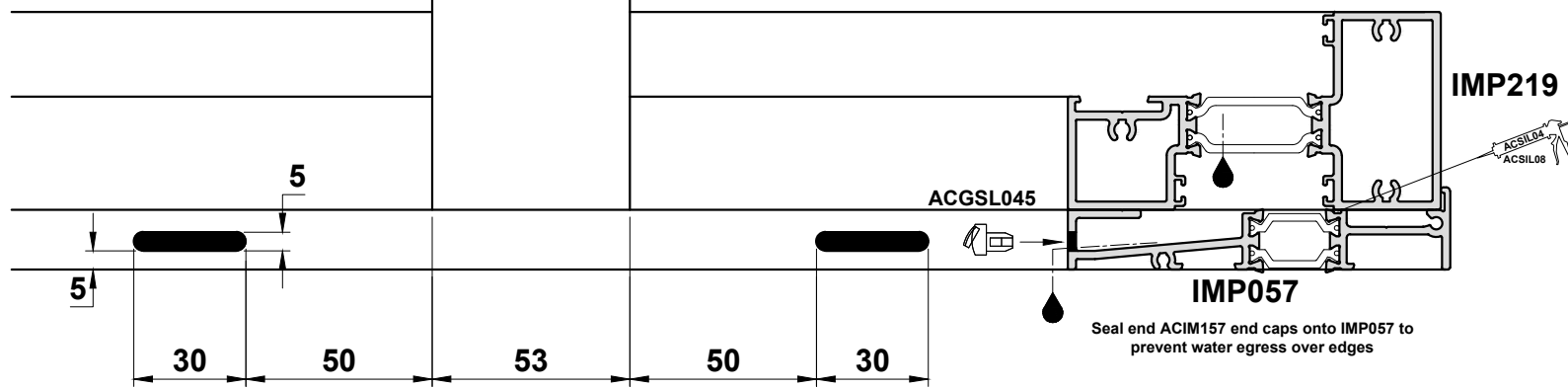
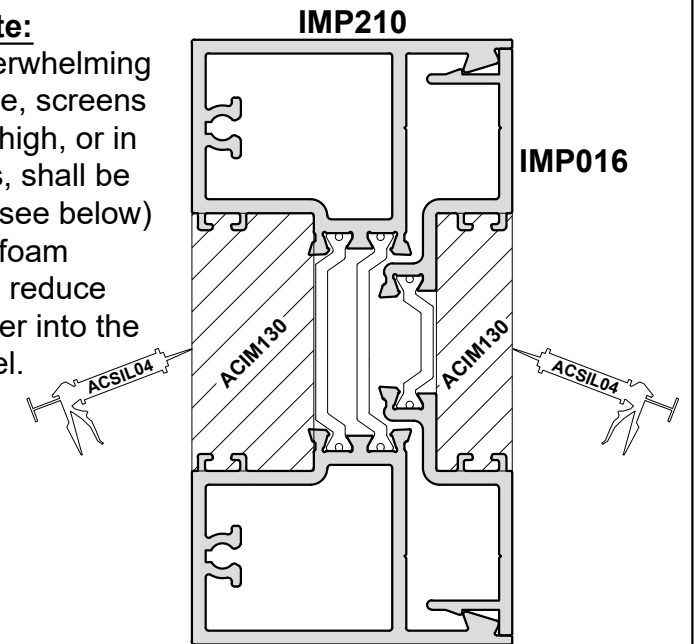
Glazing Table for IMP215 & IMP013			
Glass Thickness	External Gasket	Internal Gasket	Glazing Bead
42	ACVG131 (4mm)	ACVG33 (4mm)	IMP623 

Do Not Scale From This Drawing

Drainage Details

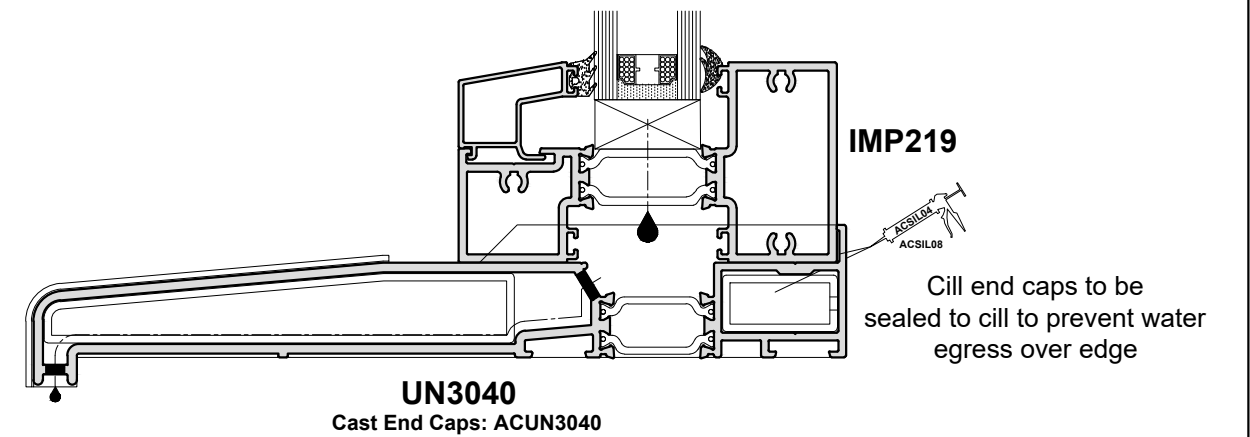
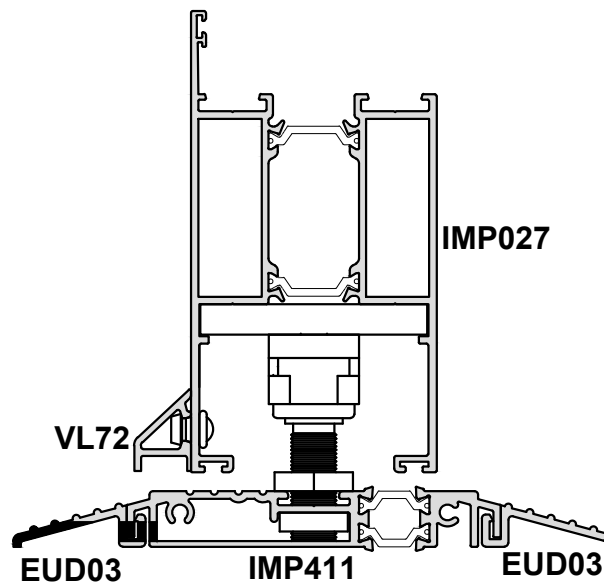
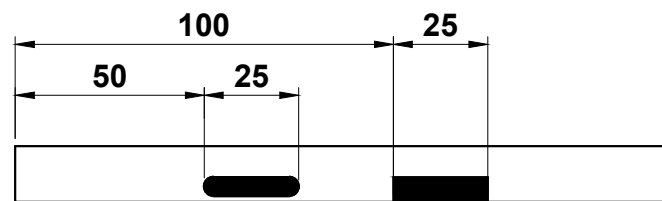
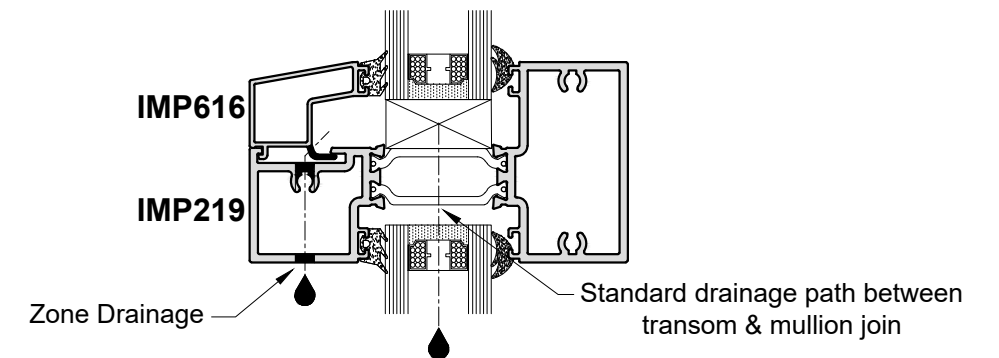


Important Note:
To prevent overwhelming the cill drainage, screens over 2400mm high, or in exposed areas, shall be zone drained (see below) and ACIM130 foam inserts used to reduce the flow of water into the glazing channel.



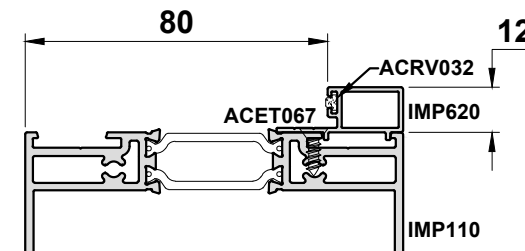
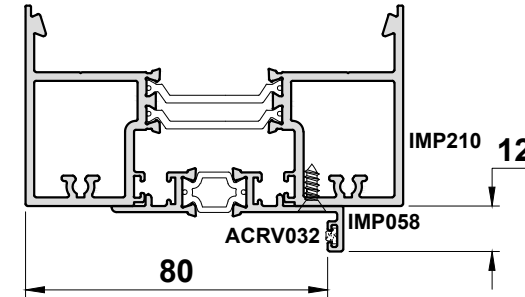
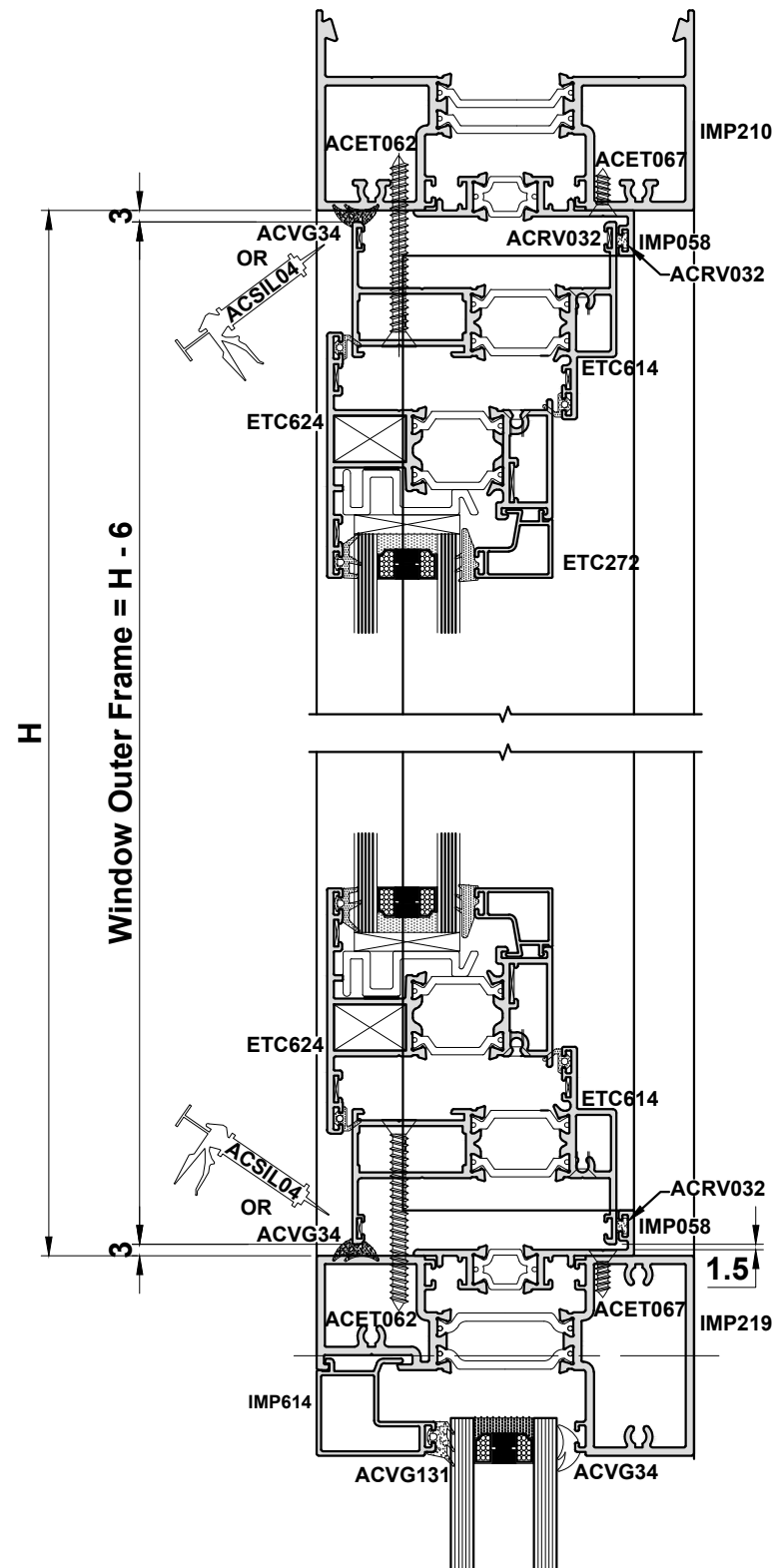
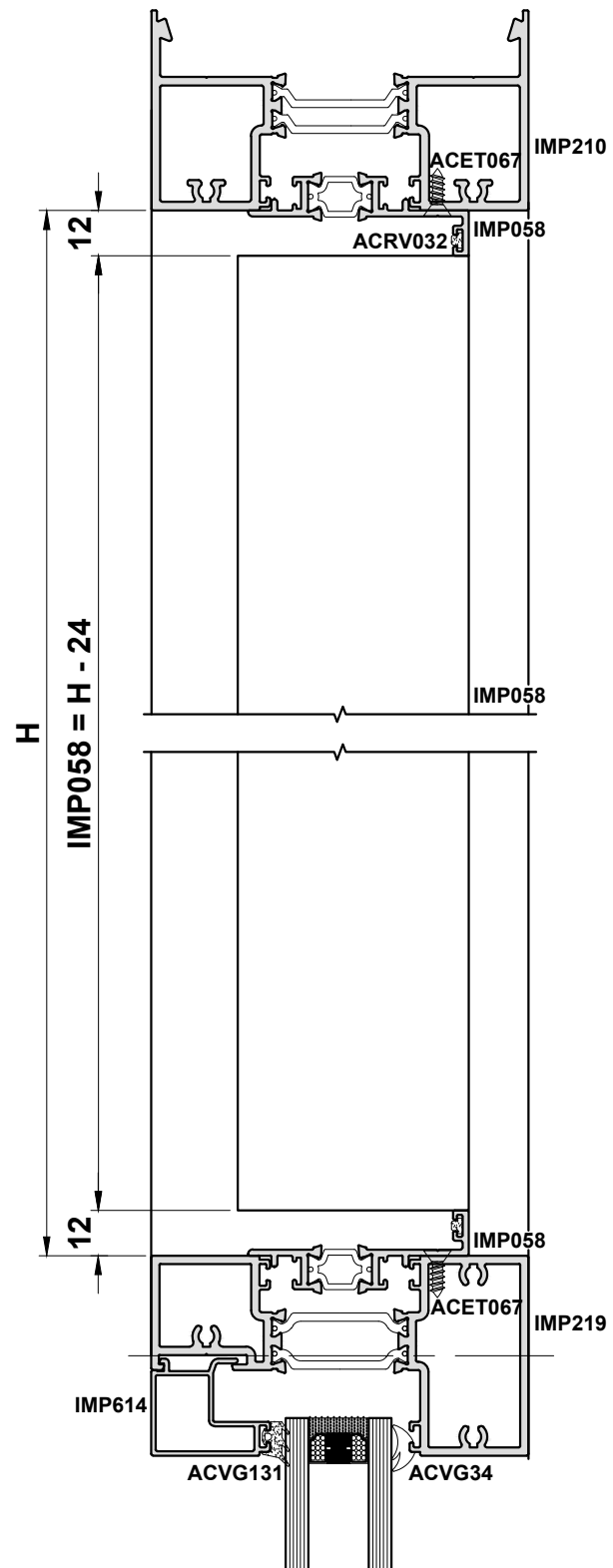
Important Note: All exposed aluminium should be coated using ACSIL014 or painted to match the frame.

Note:
Transoms in screens & rails in doors will drain at the join to vertical members

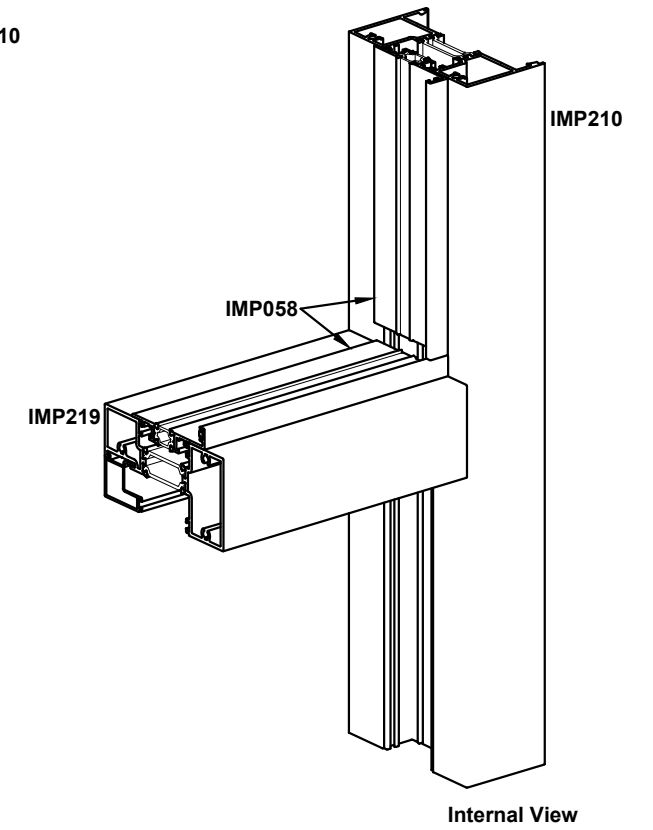
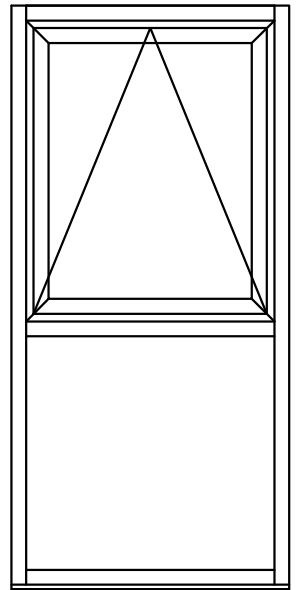


Do Not Scale From This Drawing

Opening Window Inserts

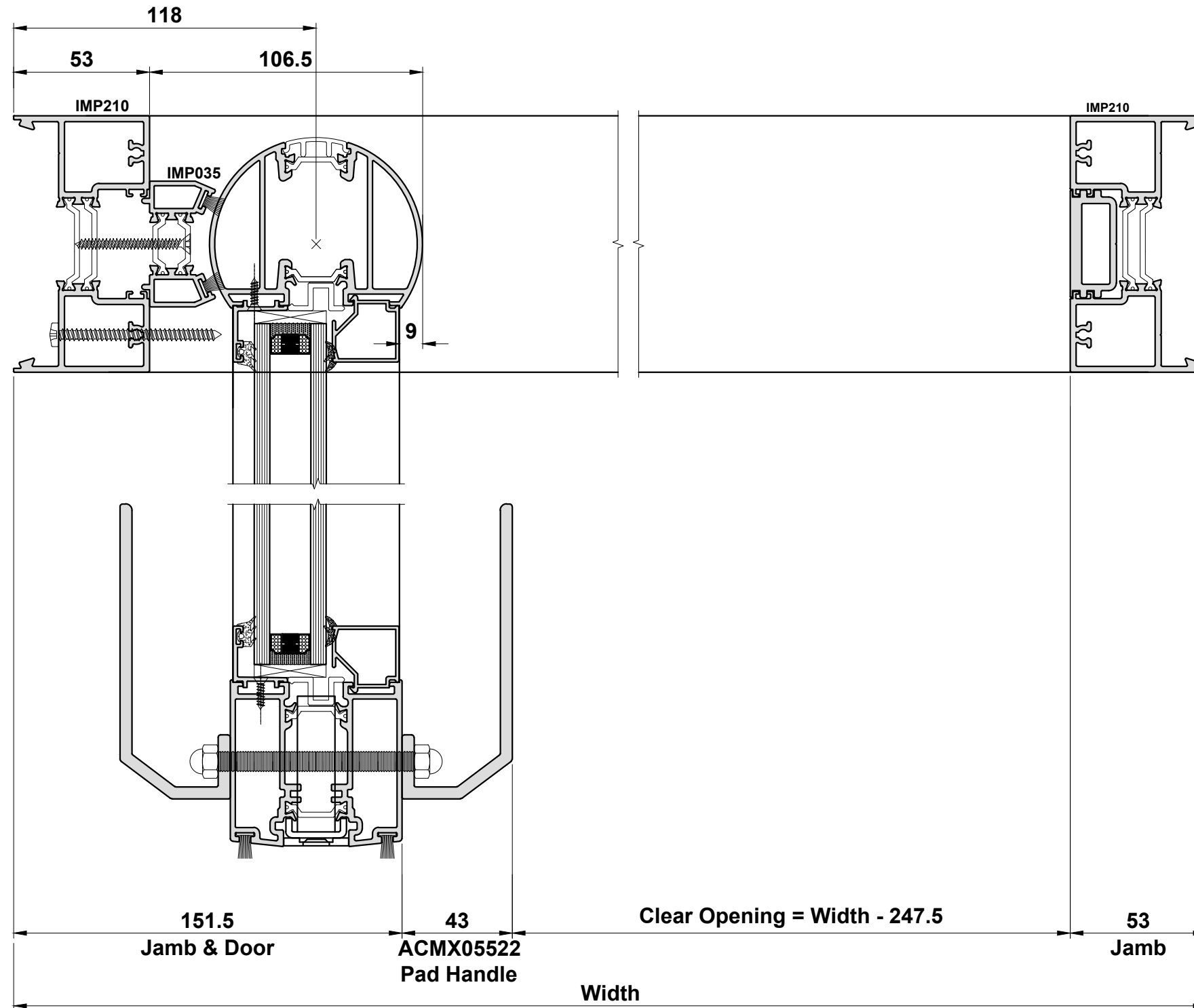


Detail Options Above Doors



Do Not Scale From This Drawing

Clear Opening Deductions



Document M Recommendations for External Doors		
	New Buildings	Existing Buildings
Commercial	1000	775
Domestic	775	

Example:

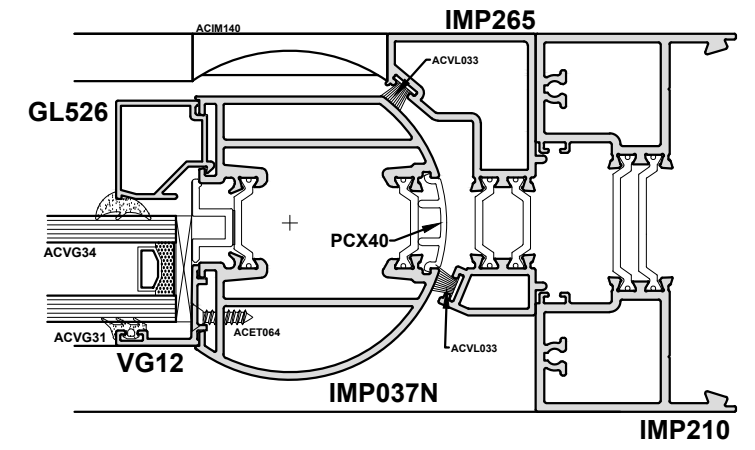
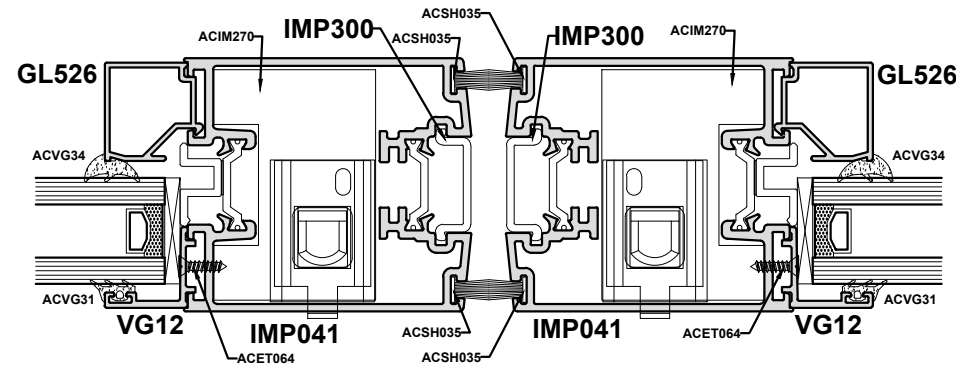
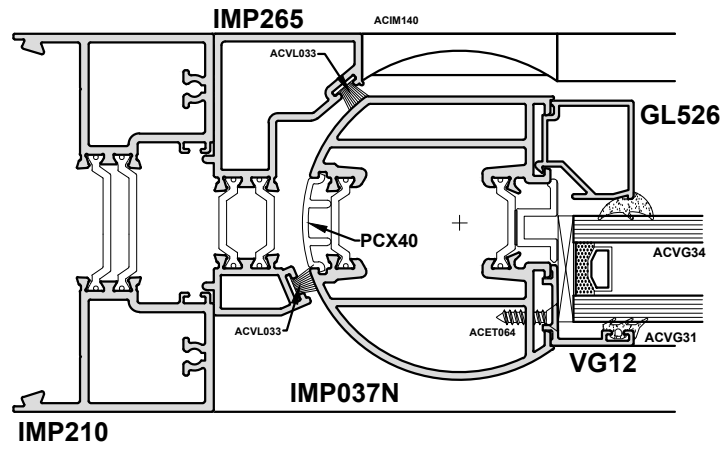
Calculation without Pad Handle:	
Frame Width	1212.5mm
- 2No.Jambs	106
- Pivot Centre	65
- Half Door Section	41.5
Clear Opening = 1000	

Calculation with Pad Handle:	
Frame Width	1247.5mm
- 2No.Jambs	106
- Pivot Centre	65
- Half Door Section	33.5
- Pad Handle	43
Clear Opening = 1000	

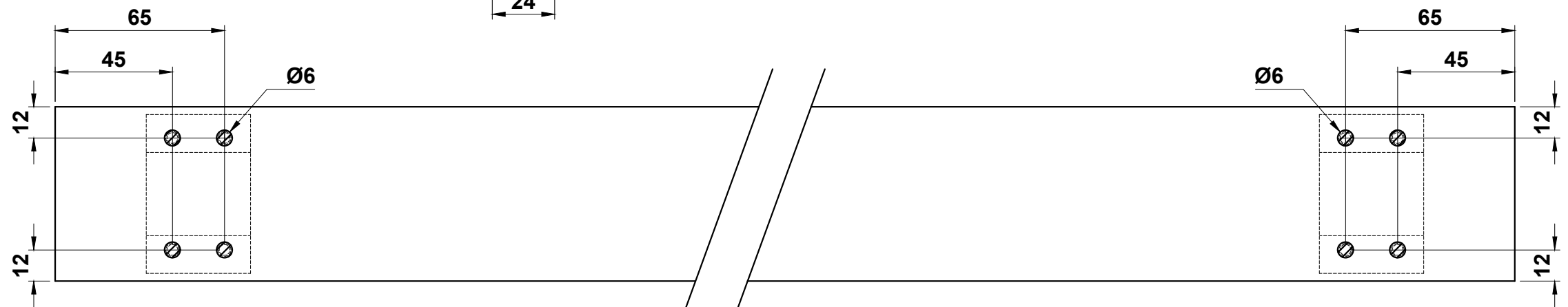
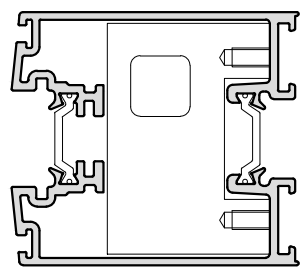
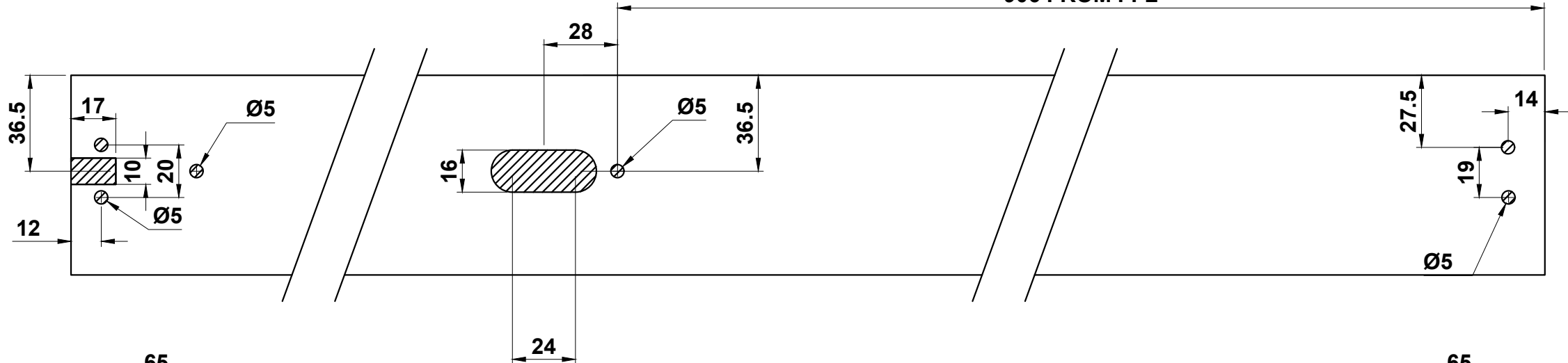
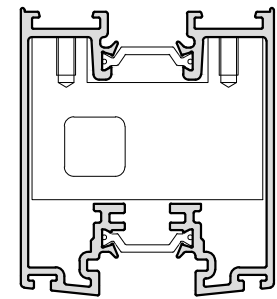
Calculation with ACVL122/3:	
Frame Width	1274.5mm
- 2No.Jambs	106
- Pivot Centre	65
- Half Door Section	33.5
- ACVL122/3	70
Clear Opening = 1000	

Do Not Scale From This Drawing

PAS24 Axim Panic Bar

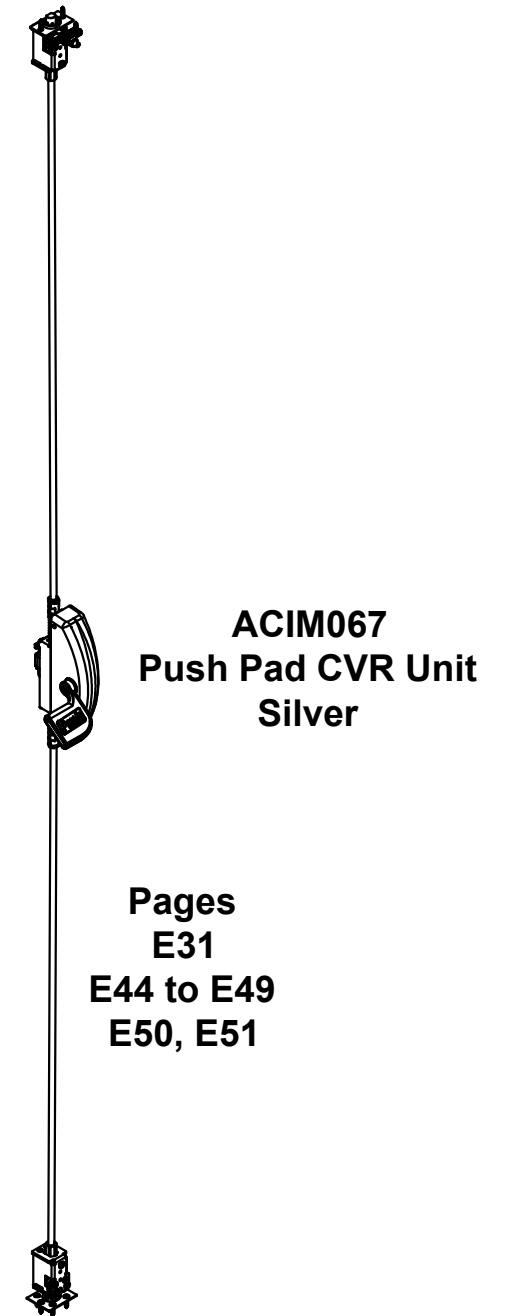
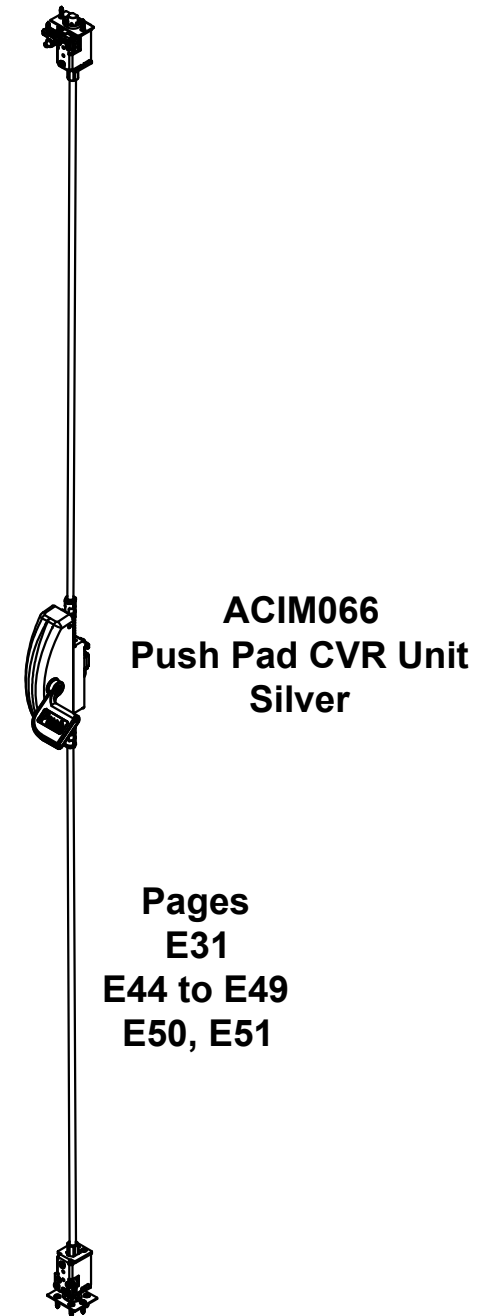
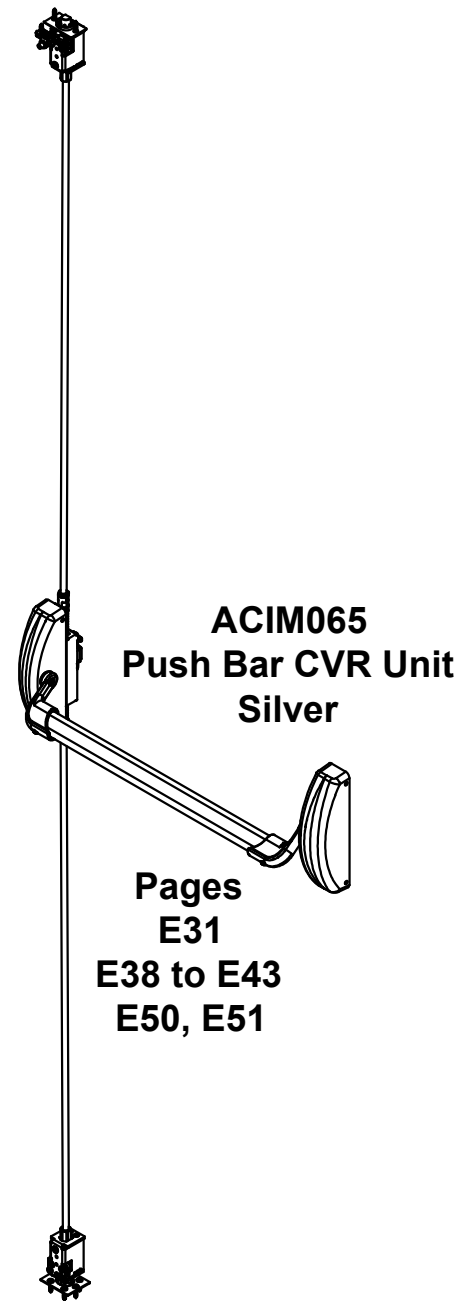
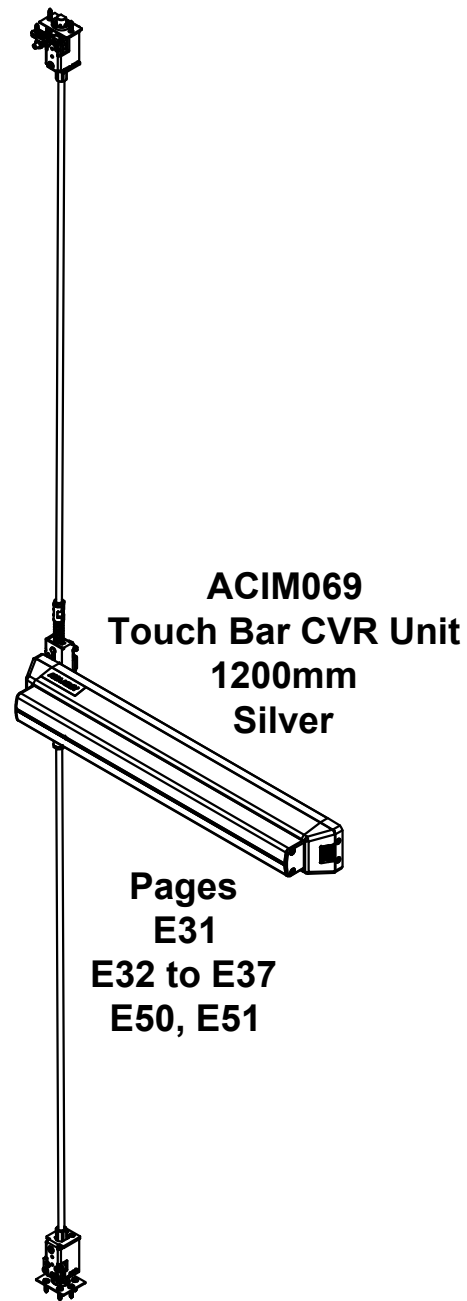


906 FROM FFL



Do Not Scale From This Drawing

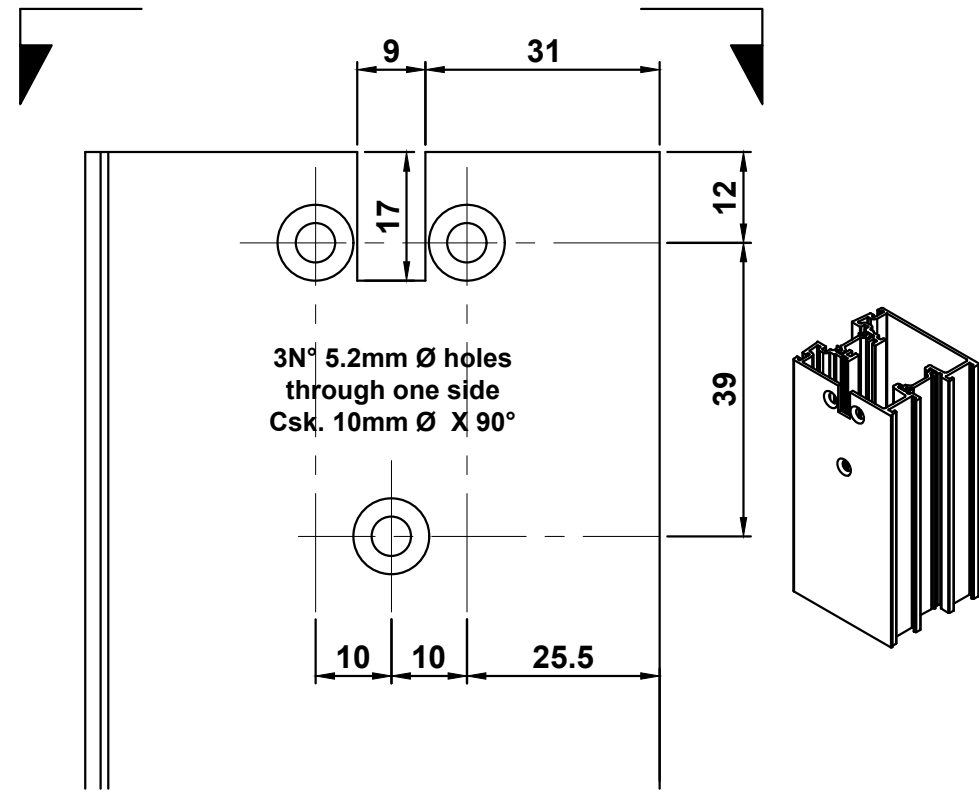
PAS24 CVR Panic Exit Devices



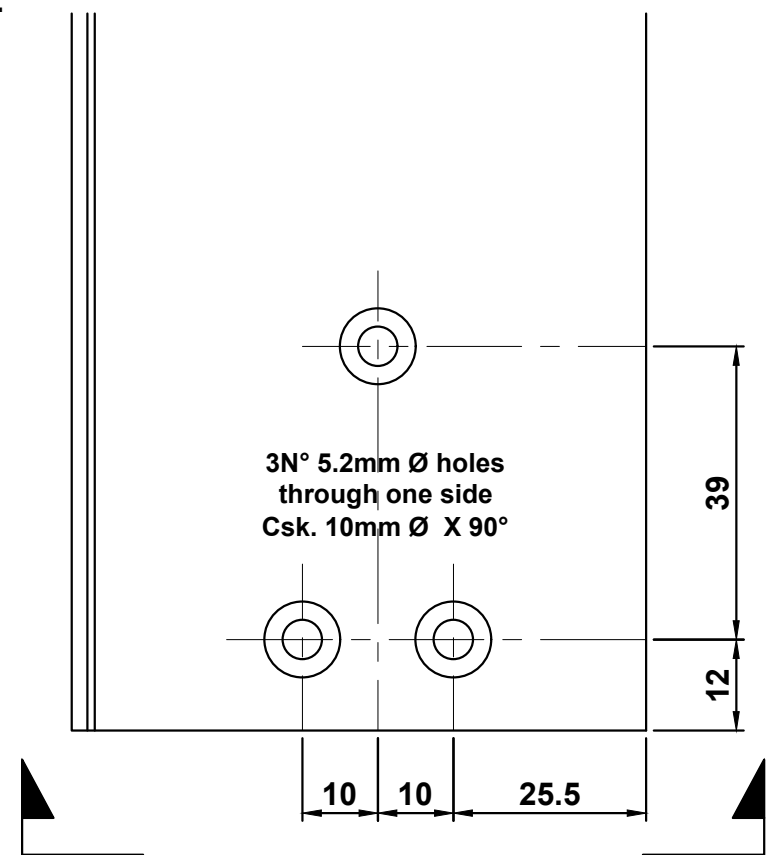
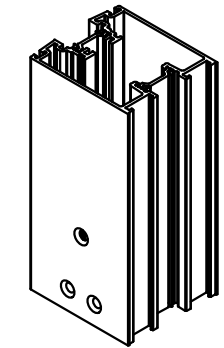
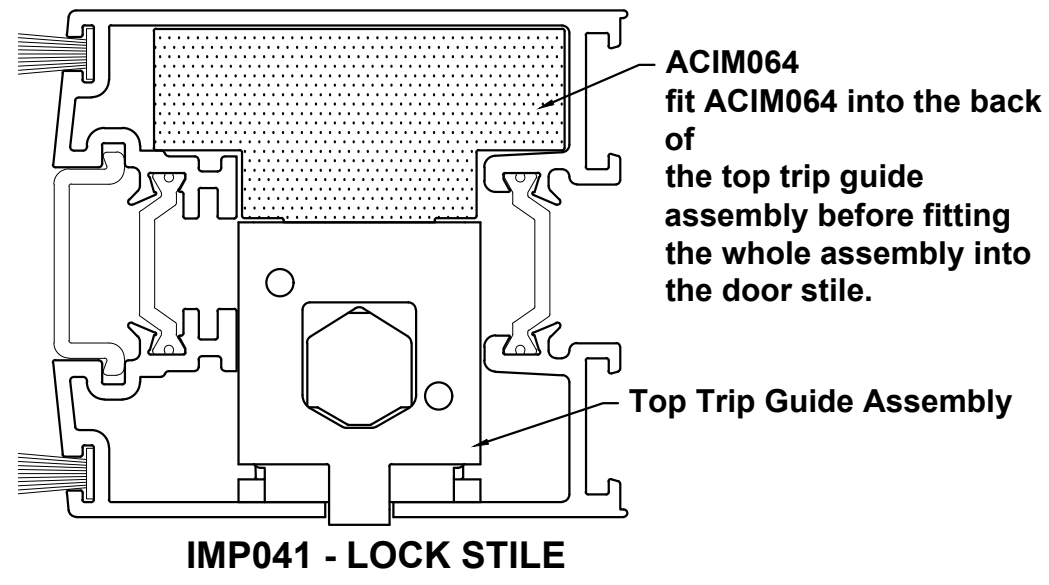
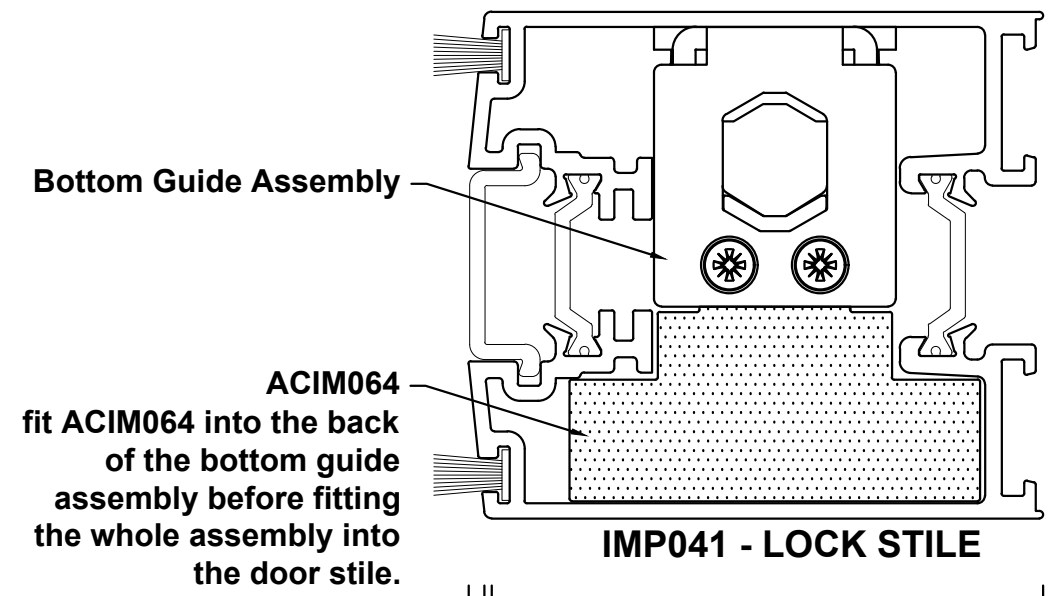
CVR Panic Exit Device

TO BE READ IN CONJUNCTION WITH THE INSTALLATION INSTRUCTIONS PROVIDED WITH THE FITTING

TOP INTERNAL PREP



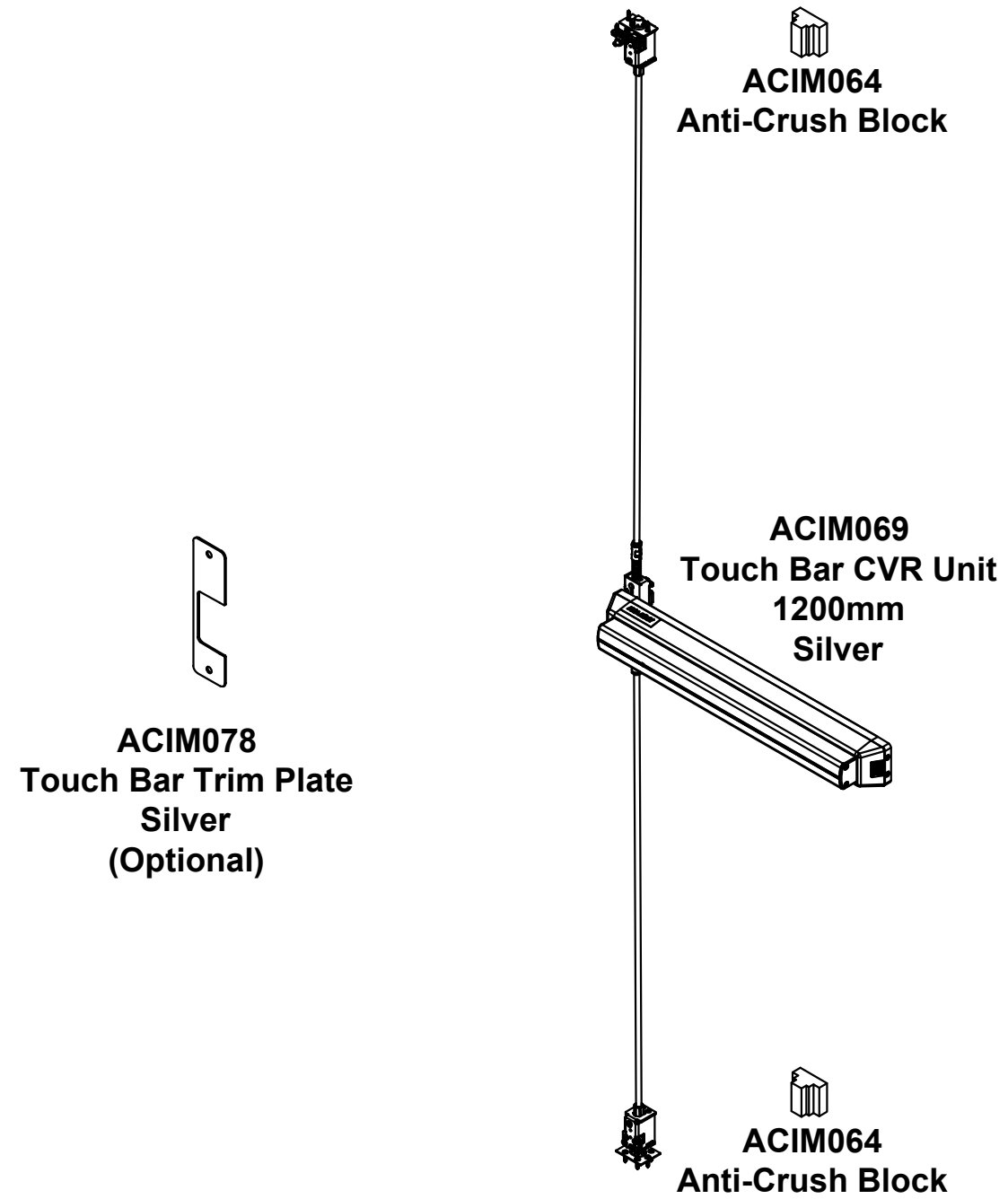
BOTTOM INTERNAL PREP



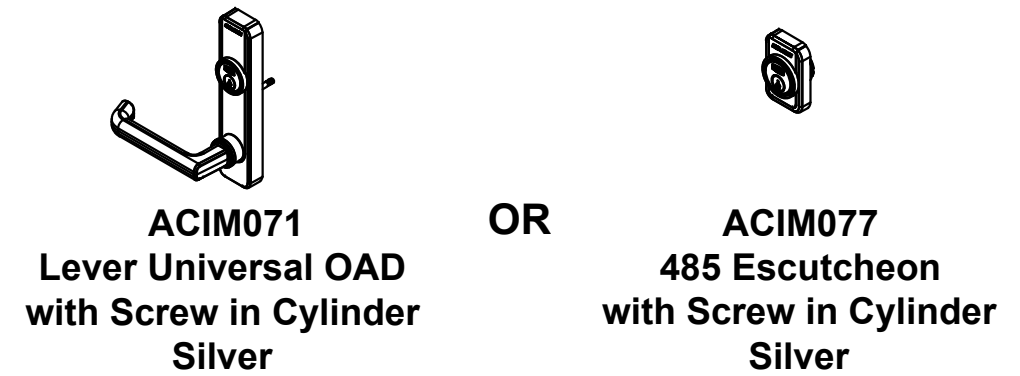
Do Not Scale From This Drawing

Touch bar CVR Panic Exit Device

TOUCH BAR CVR PANIC EXIT DEVICE



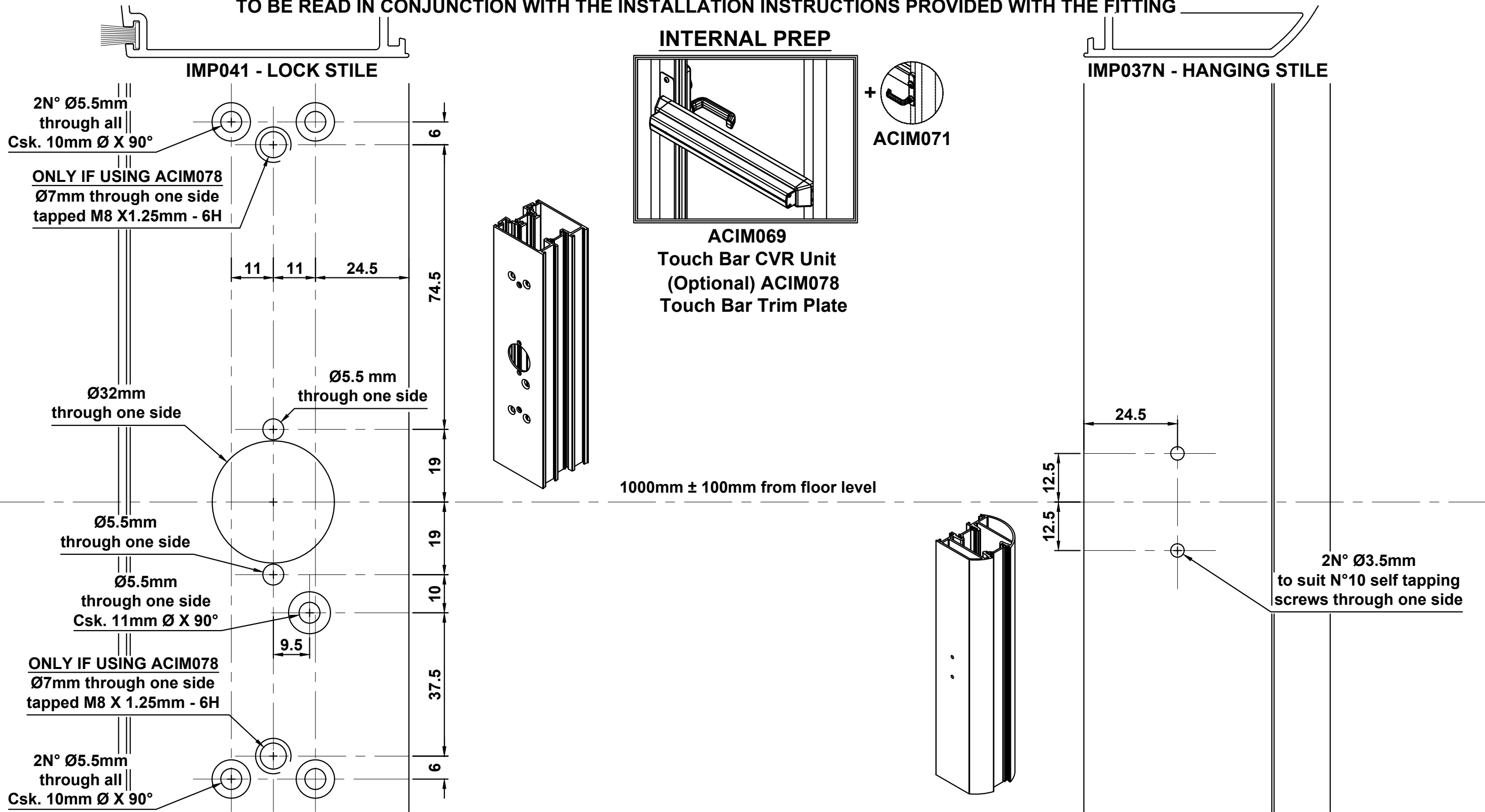
EXTERNAL ENTRY FUNCTION



Do Not Scale From This Drawing

Touchbar CVR Panic Exit Device with OAD Access

TO BE READ IN CONJUNCTION WITH THE INSTALLATION INSTRUCTIONS PROVIDED WITH THE FITTING



Do Not Scale From This Drawing

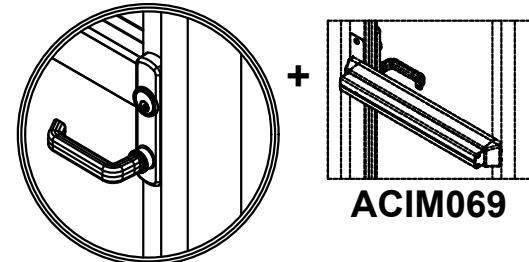
Touchbar CVR Panic Exit Device with OAD Access

TO BE READ IN CONJUNCTION WITH THE INSTALLATION INSTRUCTIONS PROVIDED WITH THE FITTING

IMP037N - HANGING STILE

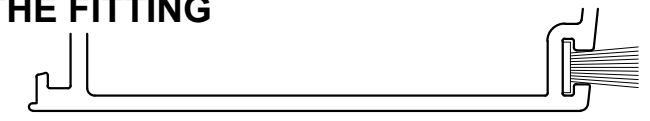
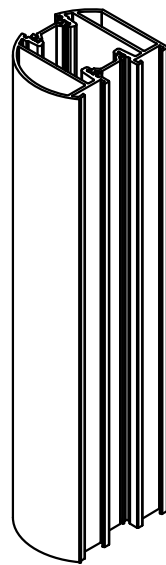


EXTERNAL PREP



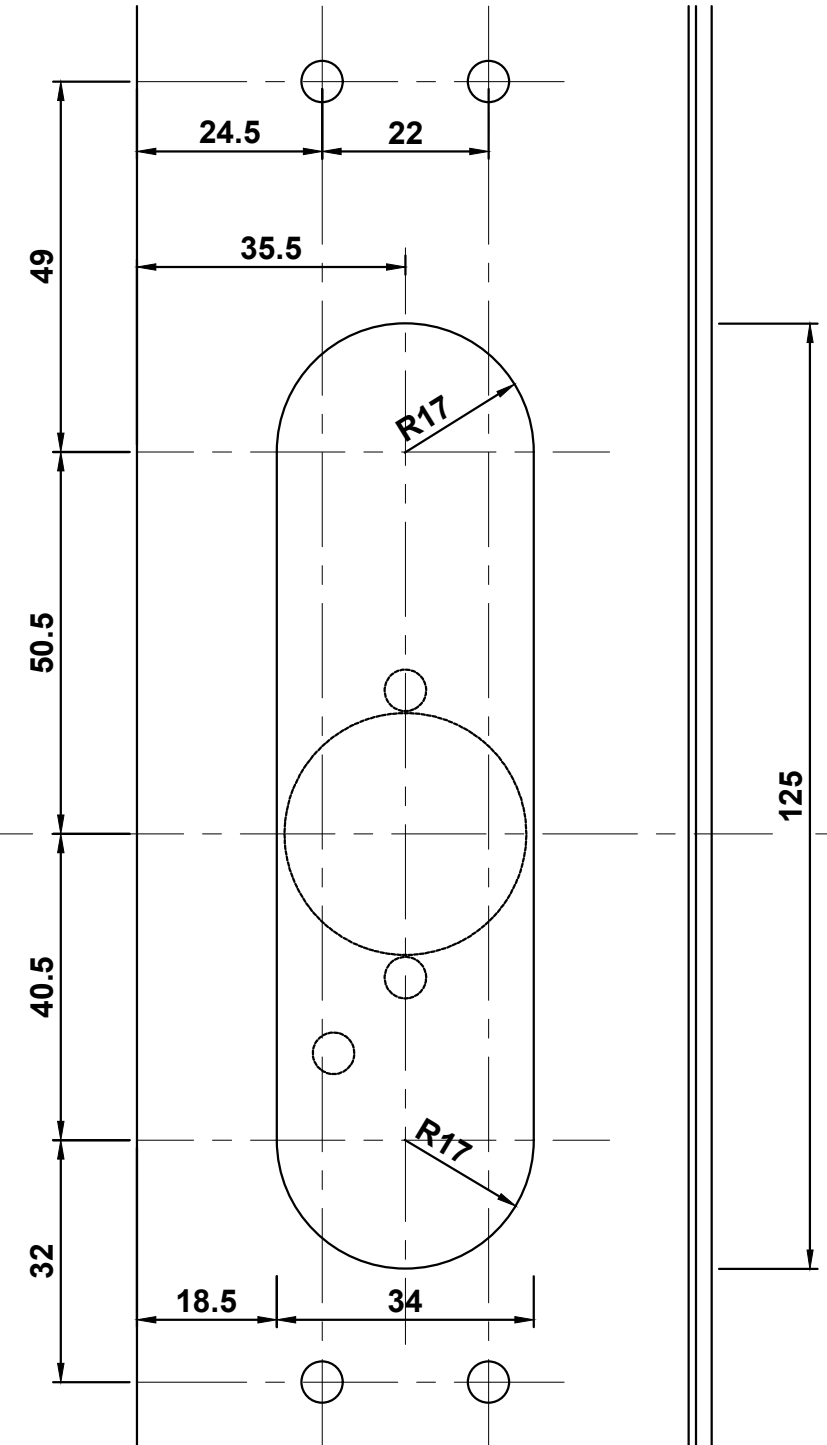
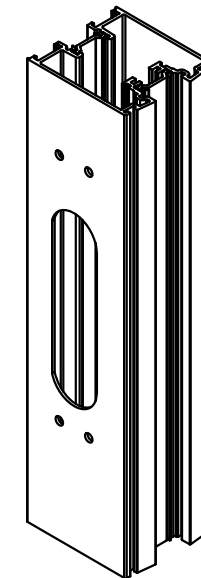
ACIM069

ACIM071
Lever Universal OAD
with Screw in Cylinder



IMP041 - LOCK STILE

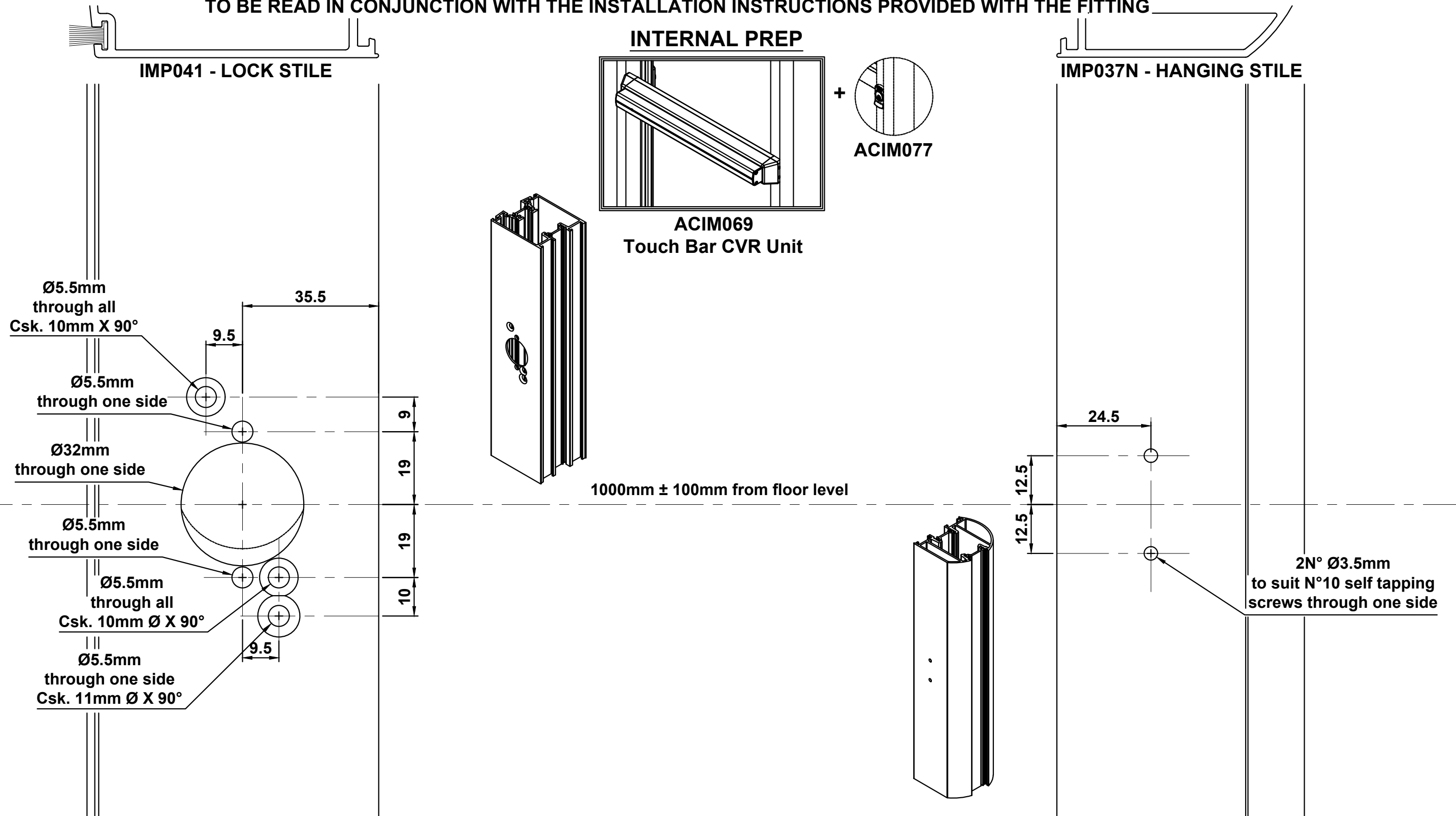
1000mm ± 100mm from floor level



Do Not Scale From This Drawing

Touchbar CVR Panic Exit Device with Cylinder Access

TO BE READ IN CONJUNCTION WITH THE INSTALLATION INSTRUCTIONS PROVIDED WITH THE FITTING



Do Not Scale From This Drawing

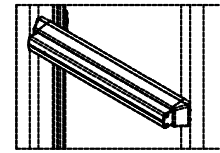
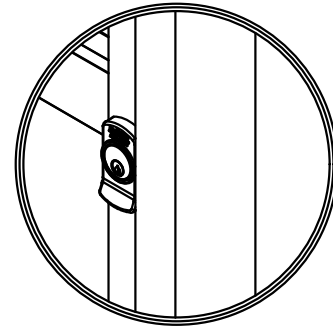
Touchbar CVR Panic Exit Device with Cylinder Access

TO BE READ IN CONJUNCTION WITH THE INSTALLATION INSTRUCTIONS PROVIDED WITH THE FITTING

IMP037N - HANGING STILE

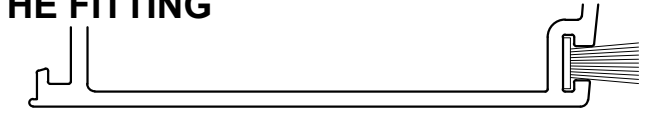


EXTERNAL PREP

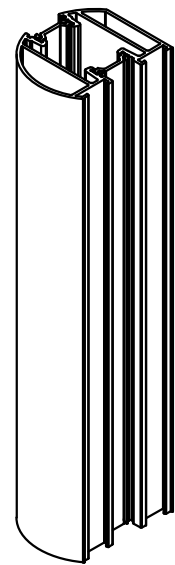


ACIM069

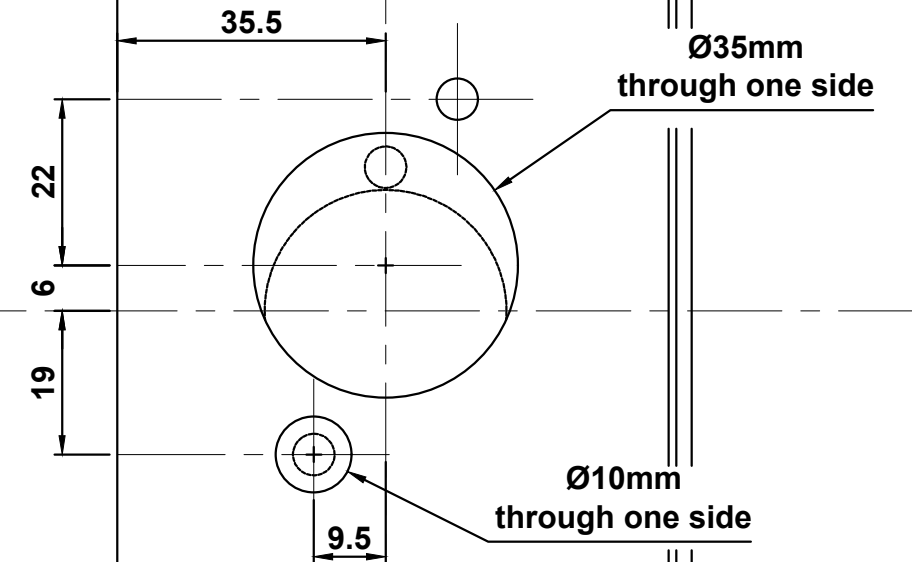
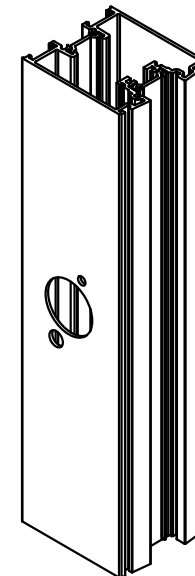
ACIM077
485 Escutcheon
with Screw in Cylinder



IMP041 - LOCK STILE



1000mm ± 100mm from floor level



Do Not Scale From This Drawing

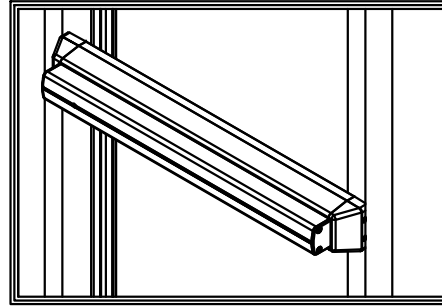
Touchbar CVR Panic Exit Device (without external access)

TO BE READ IN CONJUNCTION WITH THE INSTALLATION INSTRUCTIONS PROVIDED WITH THE FITTING

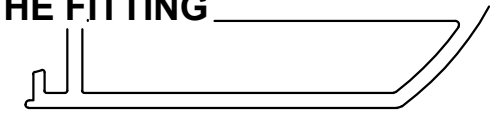


IMP041 - LOCK STILE

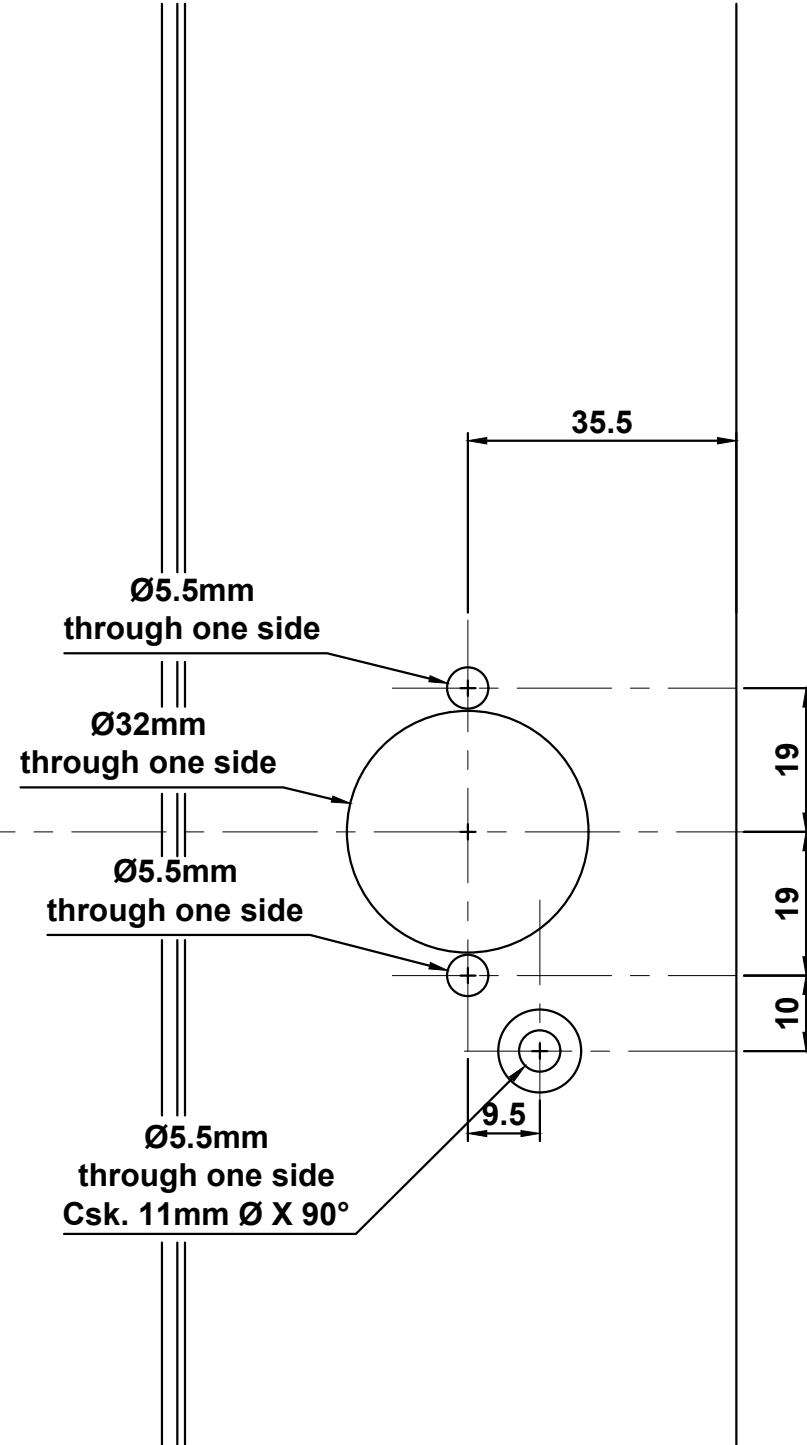
INTERNAL PREP



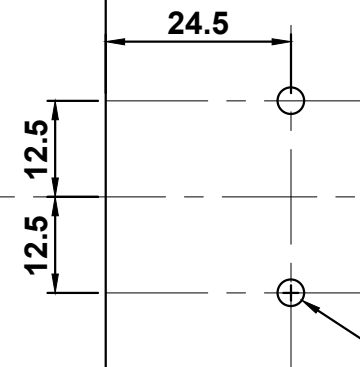
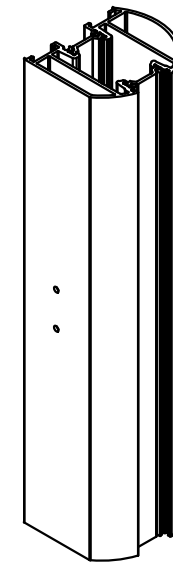
ACIM069
Touch Bar CVR Unit



IMP037N - HANGING STILE



1000mm ± 100mm from floor level



2N° Ø3.5mm
to suit N°10 self tapping
screws through one side

Do Not Scale From This Drawing

Push Bar CVR Panic Exit Device

PUSH BAR CVR PANIC EXIT DEVICE



EXTERNAL ENTRY FUNCTION



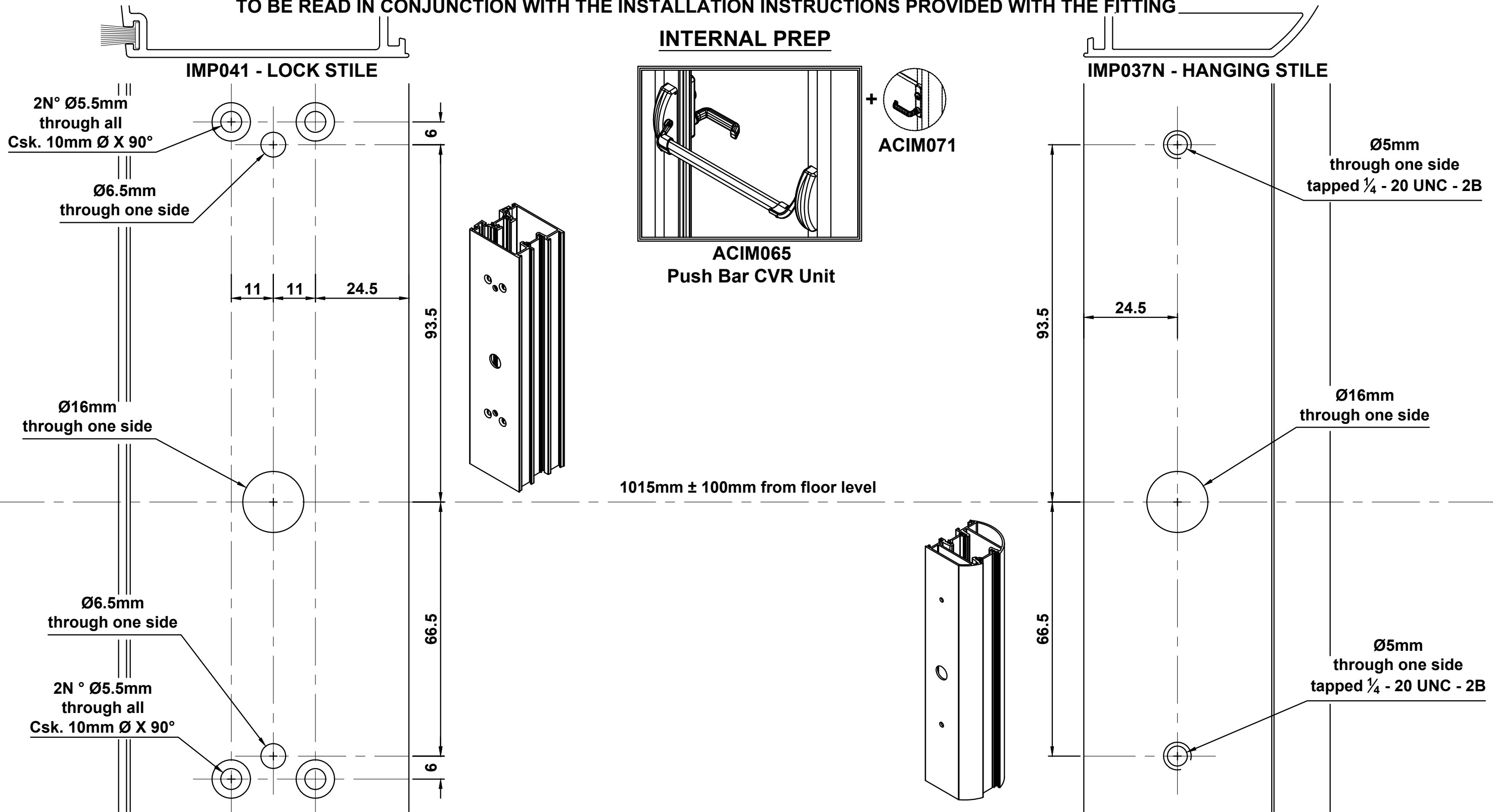
OR



Do Not Scale From This Drawing

Pushbar CVR Panic Exit Device with OAD Access

TO BE READ IN CONJUNCTION WITH THE INSTALLATION INSTRUCTIONS PROVIDED WITH THE FITTING



Do Not Scale From This Drawing

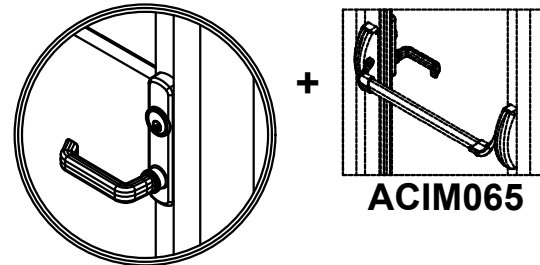
Pushbar CVR Panic Exit Device with OAD Access

TO BE READ IN CONJUNCTION WITH THE INSTALLATION INSTRUCTIONS PROVIDED WITH THE FITTING

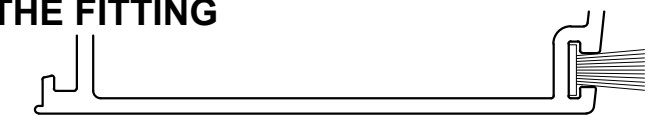
IMP037N - HANGING STILE



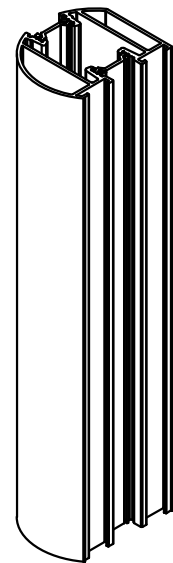
EXTERNAL PREP



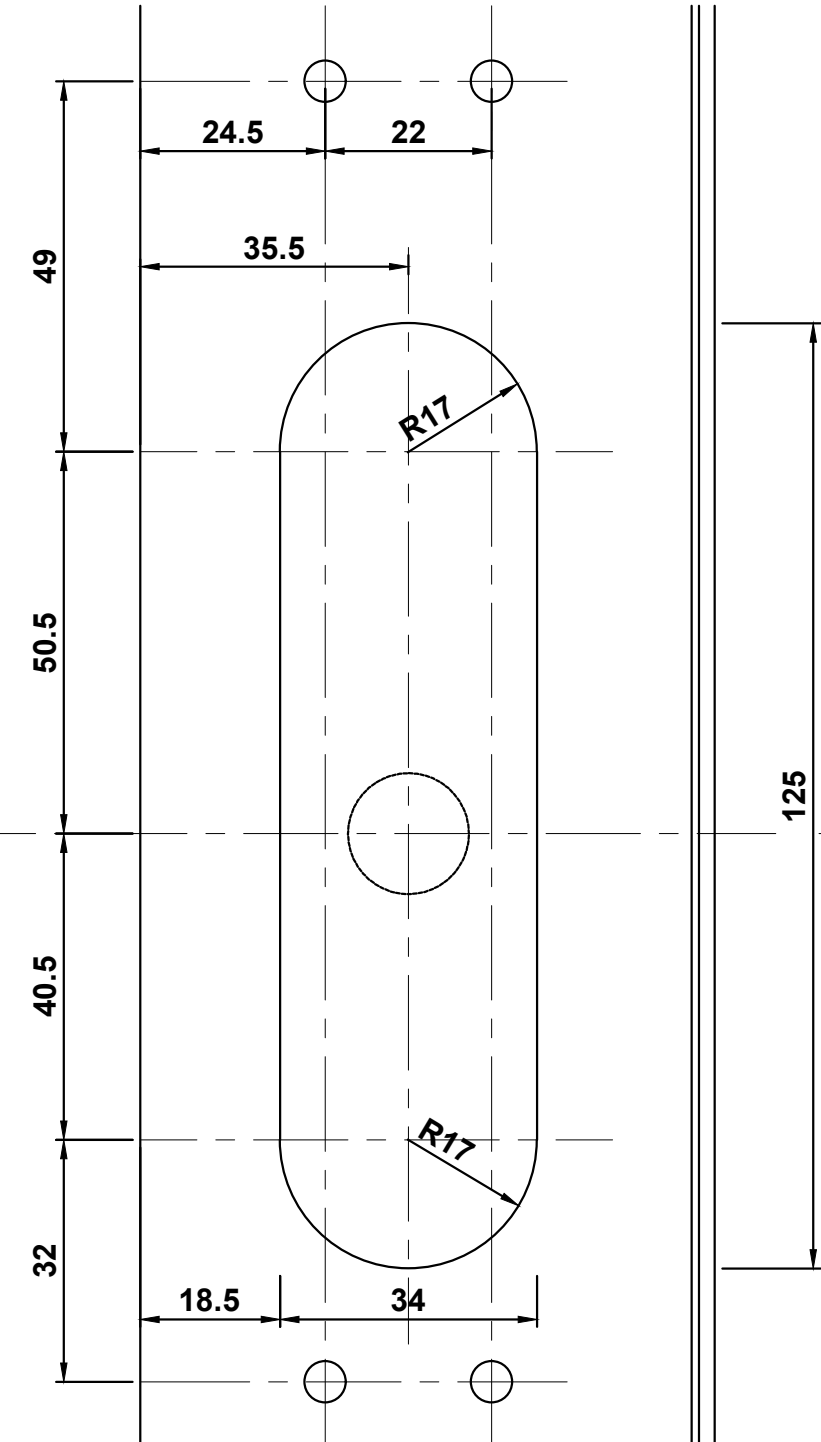
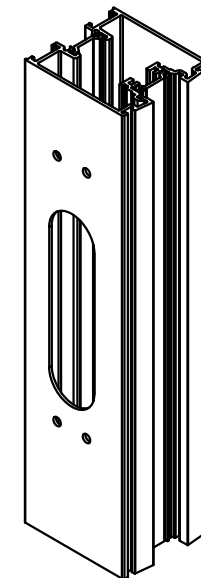
ACIM071
Lever Universal OAD
with Screw in Cylinder



IMP041 - LOCK STILE



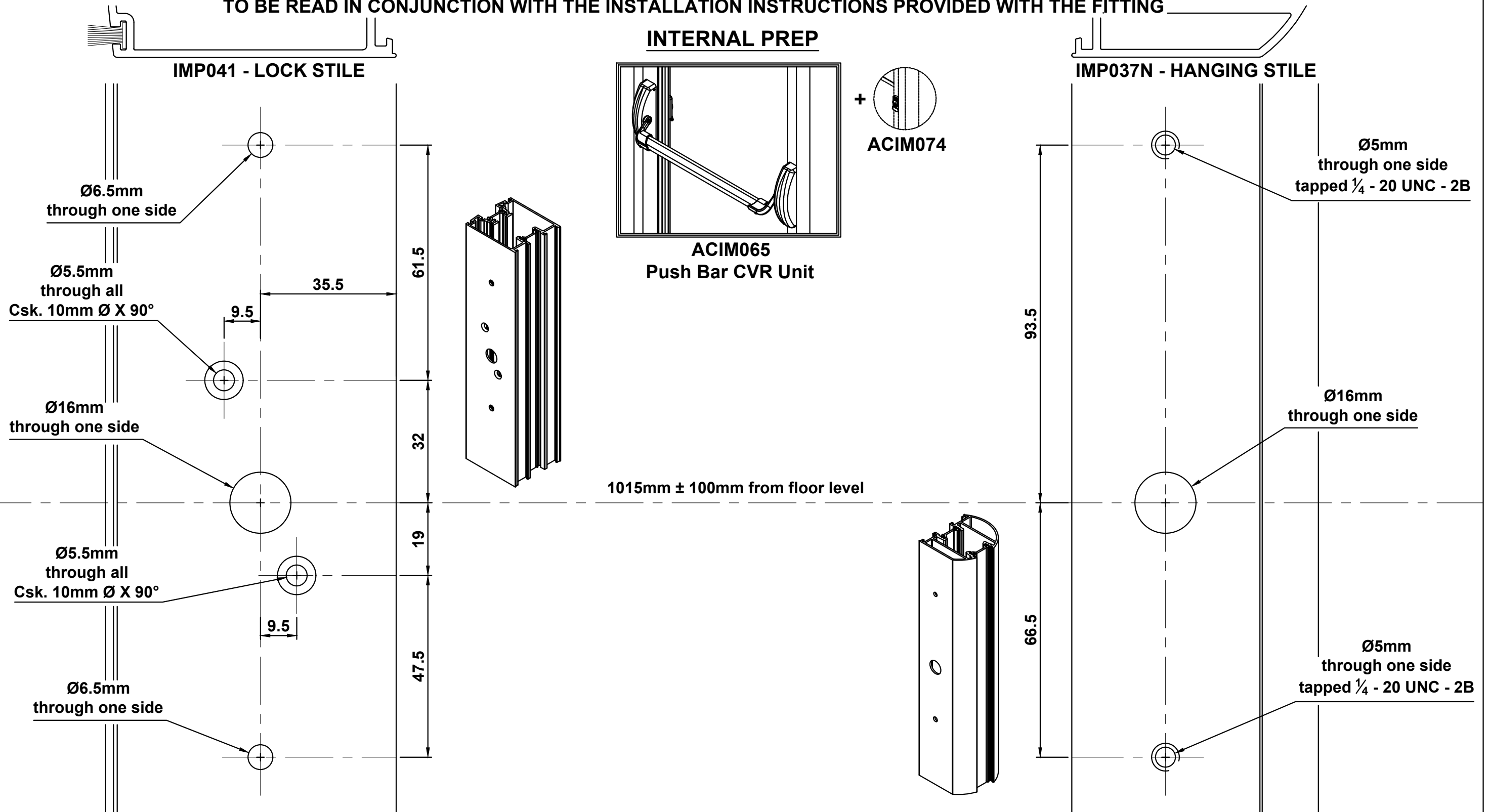
1015mm ± 100mm from floor level



Do Not Scale From This Drawing

Pushbar CVR Panic Exit Device with Cylinder Access

TO BE READ IN CONJUNCTION WITH THE INSTALLATION INSTRUCTIONS PROVIDED WITH THE FITTING



Do Not Scale From This Drawing

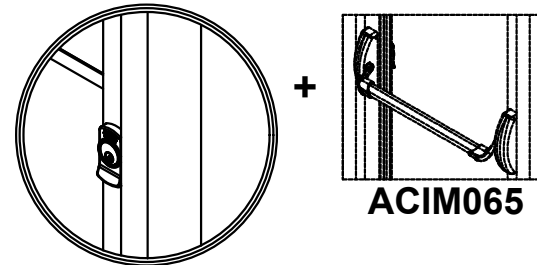
Pushbar CVR Panic Exit Device with Cylinder Access

TO BE READ IN CONJUNCTION WITH THE INSTALLATION INSTRUCTIONS PROVIDED WITH THE FITTING

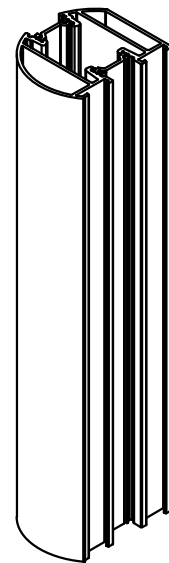
IMP037N - HANGING STILE



EXTERNAL PREP



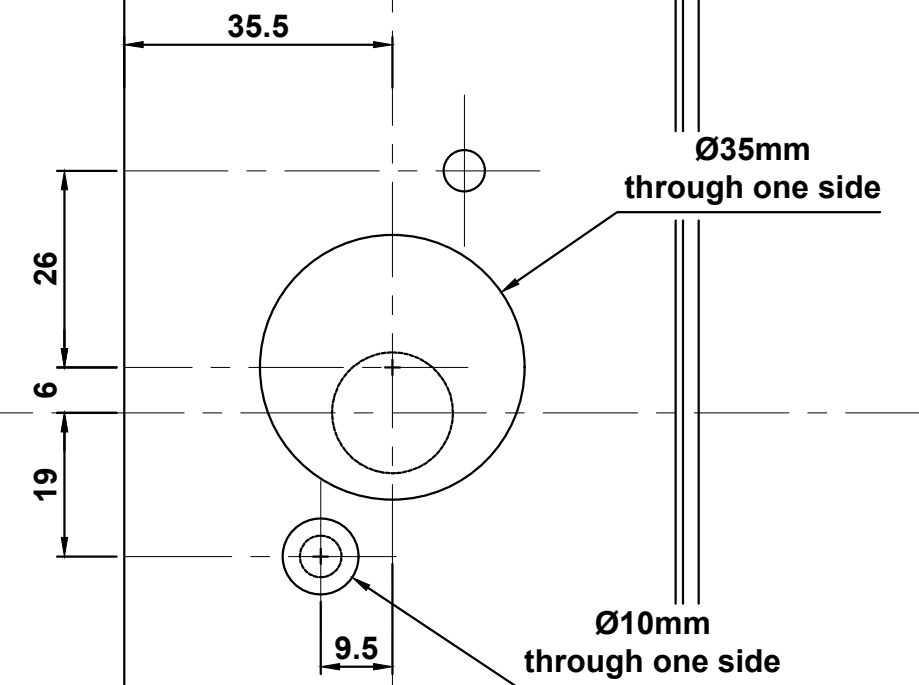
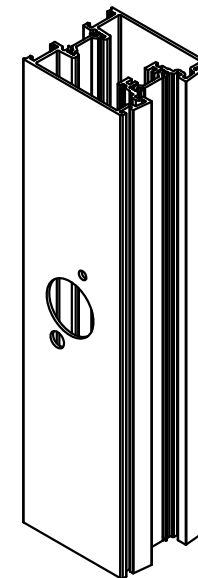
ACIM074
585 Escutcheon
with Screw in Cylinder



IMP041 - LOCK STILE



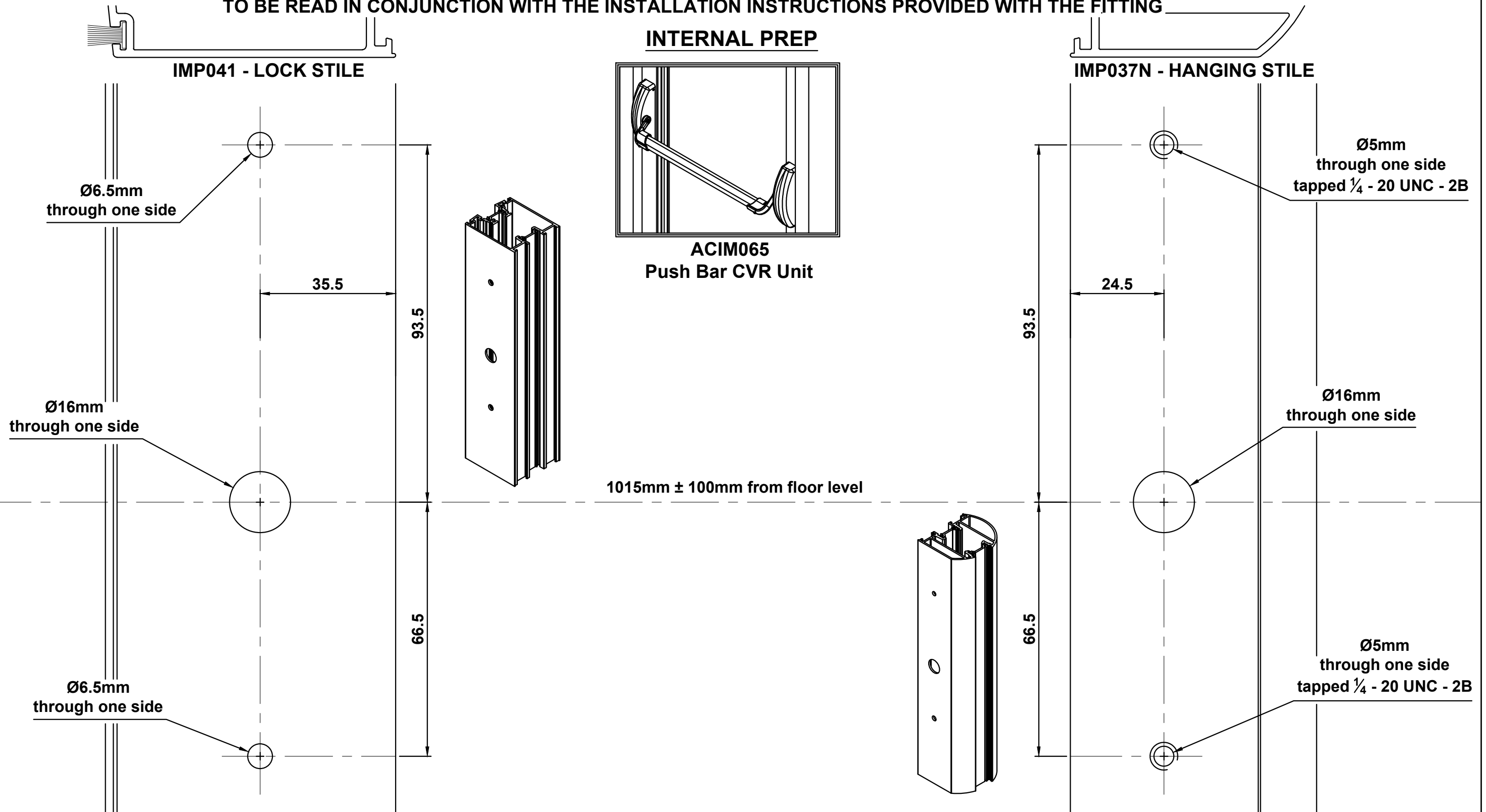
1015mm ± 100mm from floor level



Do Not Scale From This Drawing

Pushbar CVR Panic Exit Device (without external access)

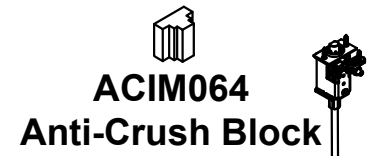
TO BE READ IN CONJUNCTION WITH THE INSTALLATION INSTRUCTIONS PROVIDED WITH THE FITTING



Do Not Scale From This Drawing

Push Pad CVR Panic Exit Device

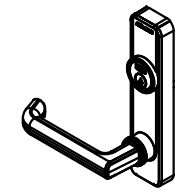
PUSH PAD CVR PANIC EXIT DEVICE



OR



EXTERNAL ENTRY FUNCTION



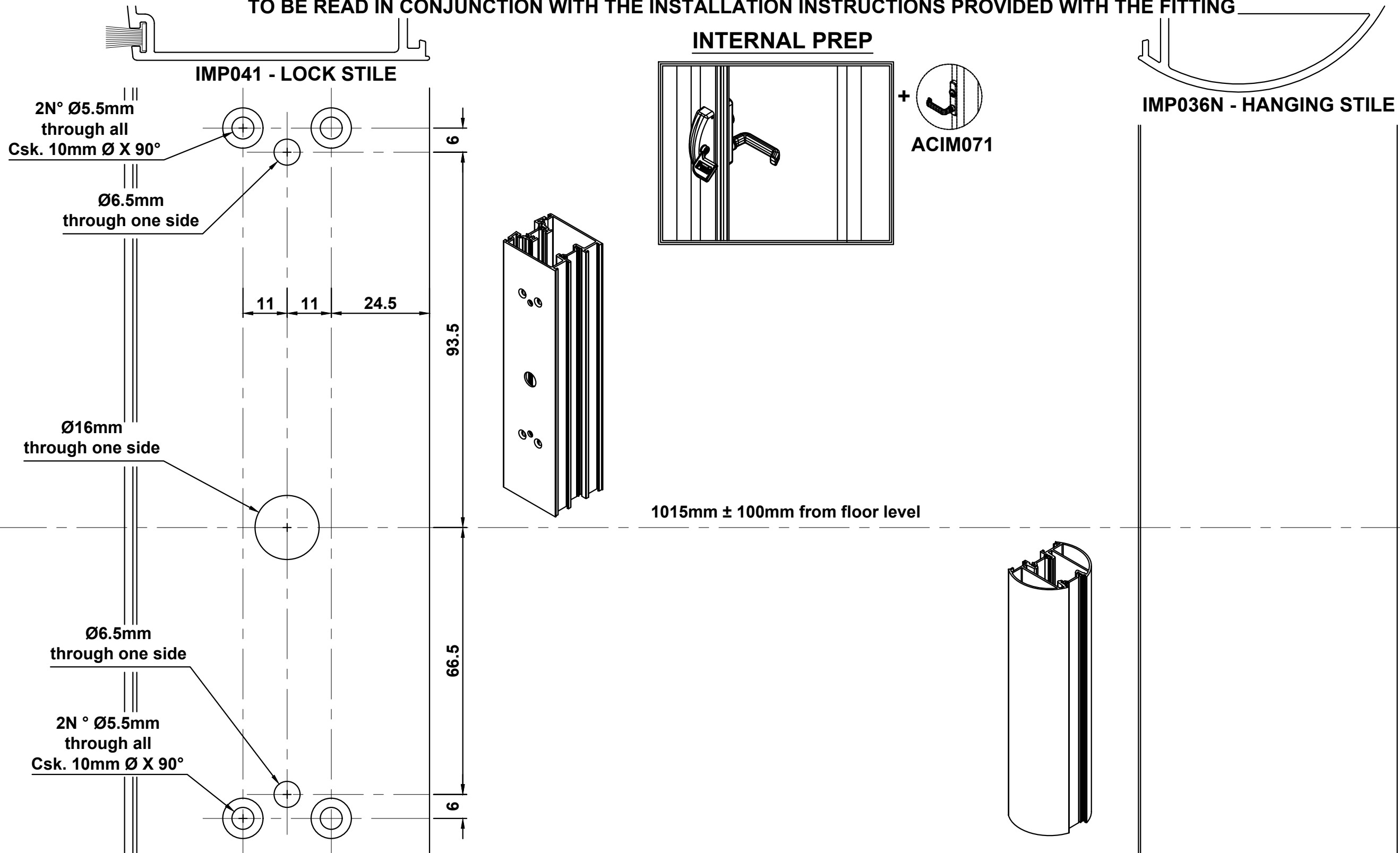
OR



Do Not Scale From This Drawing

Push Pad CVR Panic Exit Device with OAD Access

TO BE READ IN CONJUNCTION WITH THE INSTALLATION INSTRUCTIONS PROVIDED WITH THE FITTING



Do Not Scale From This Drawing

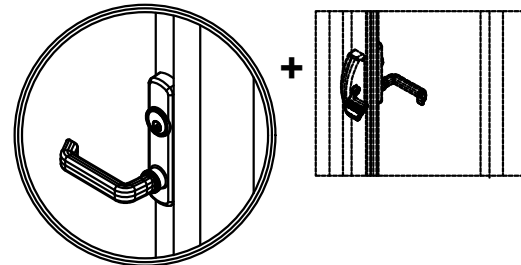
Push Pad CVR Panic Exit Device with OAD Access

TO BE READ IN CONJUNCTION WITH THE INSTALLATION INSTRUCTIONS PROVIDED WITH THE FITTING

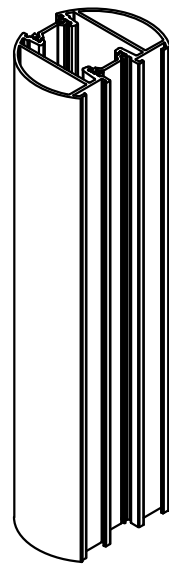
IMP036N - HANGING STILE



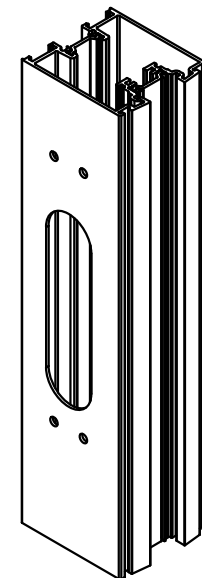
EXTERNAL PREP



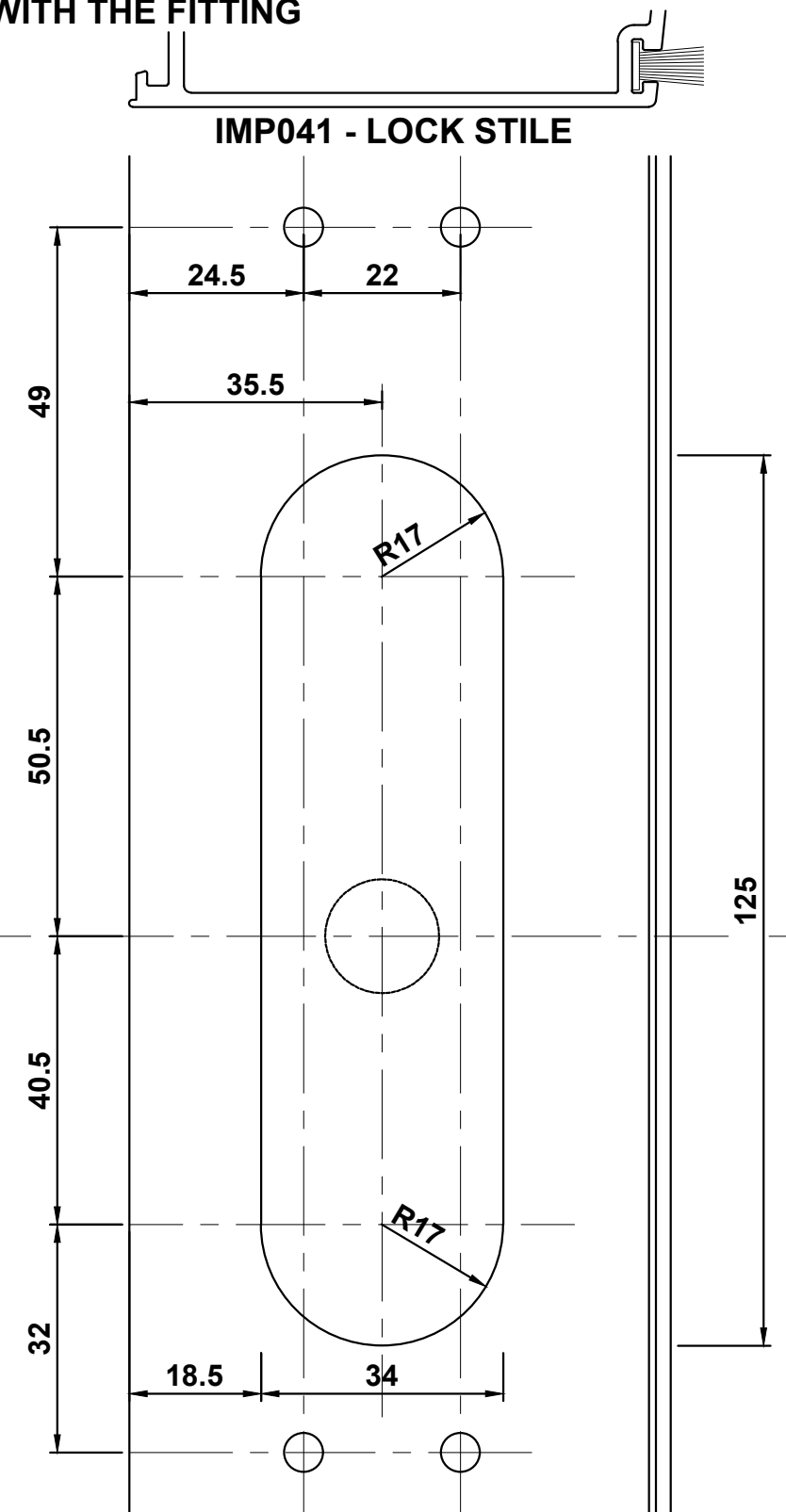
ACIM071
Lever Universal OAD
with Screw in Cylinder



1015mm ± 100mm from floor level



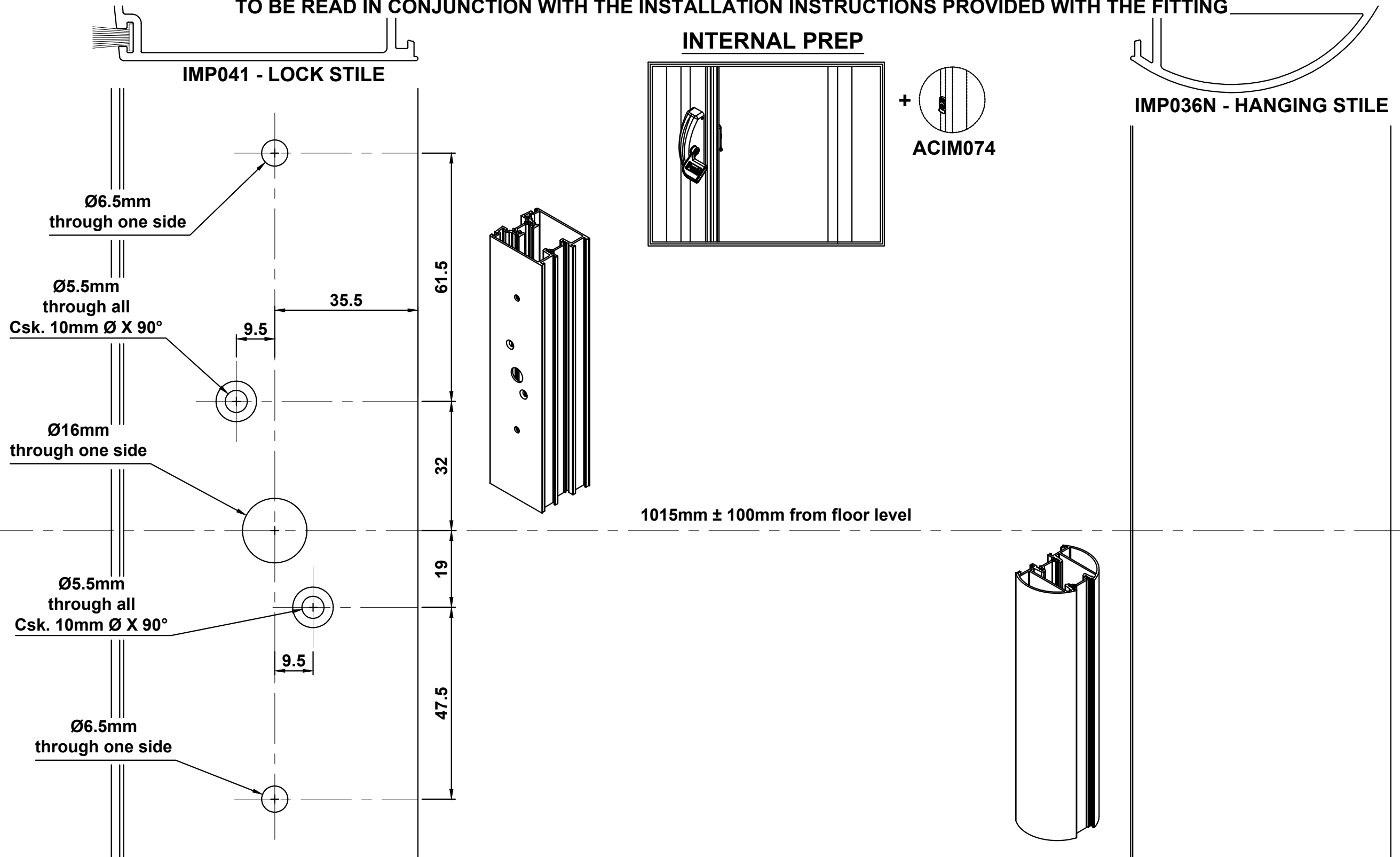
IMP041 - LOCK STILE



Do Not Scale From This Drawing

Push Pad CVR Panic Exit Device with Cylinder Access

TO BE READ IN CONJUNCTION WITH THE INSTALLATION INSTRUCTIONS PROVIDED WITH THE FITTING



Do Not Scale From This Drawing

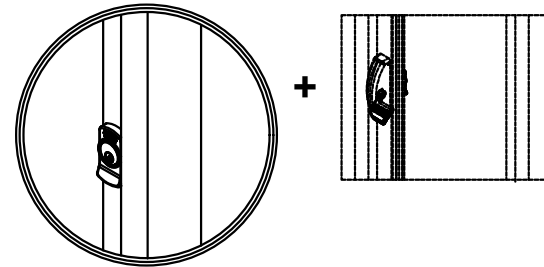
Push Pad CVR Panic Exit Device with Cylinder Access

TO BE READ IN CONJUNCTION WITH THE INSTALLATION INSTRUCTIONS PROVIDED WITH THE FITTING

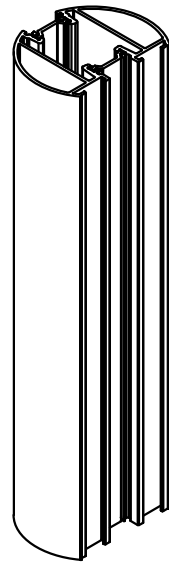
IMP036N - HANGING STILE



EXTERNAL PREP

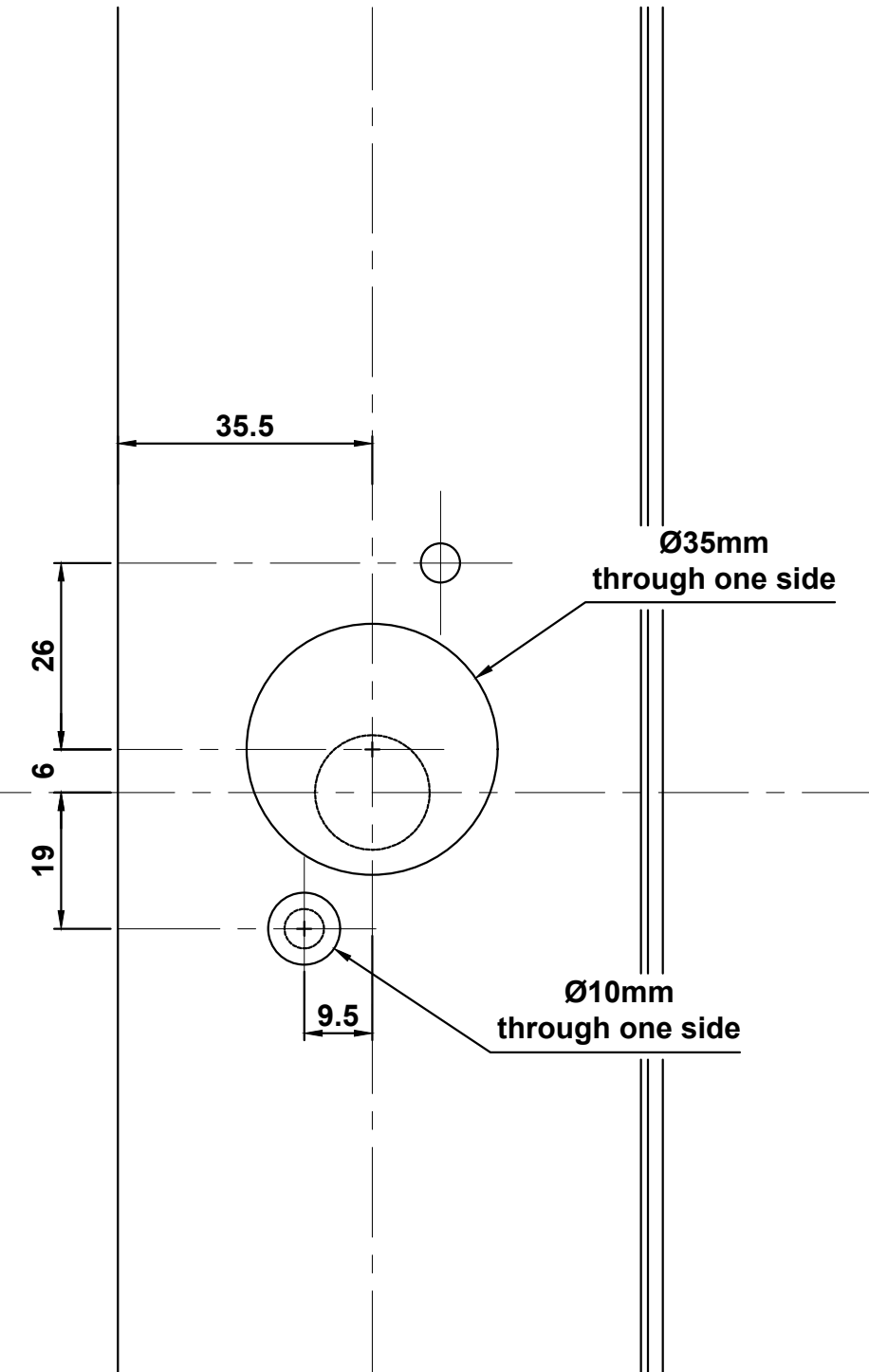
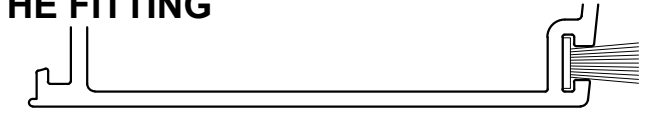


ACIM074
585 Escutcheon
with Screw in Cylinder



1015mm ± 100mm from floor level

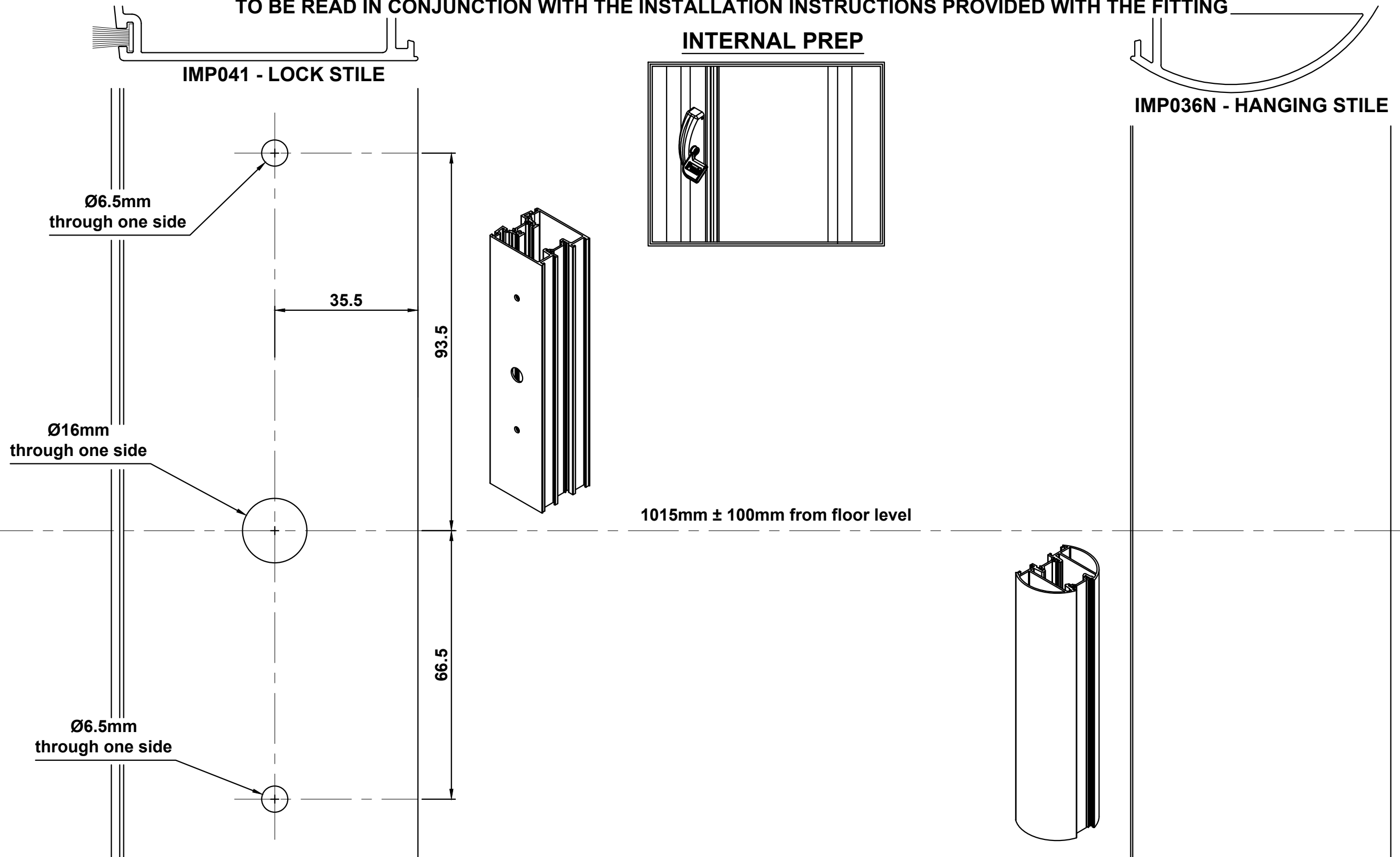
IMP041 - LOCK STILE



Do Not Scale From This Drawing

Push Pad CVR Panic Exit Device (without external access)

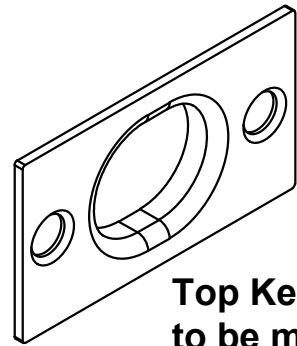
TO BE READ IN CONJUNCTION WITH THE INSTALLATION INSTRUCTIONS PROVIDED WITH THE FITTING



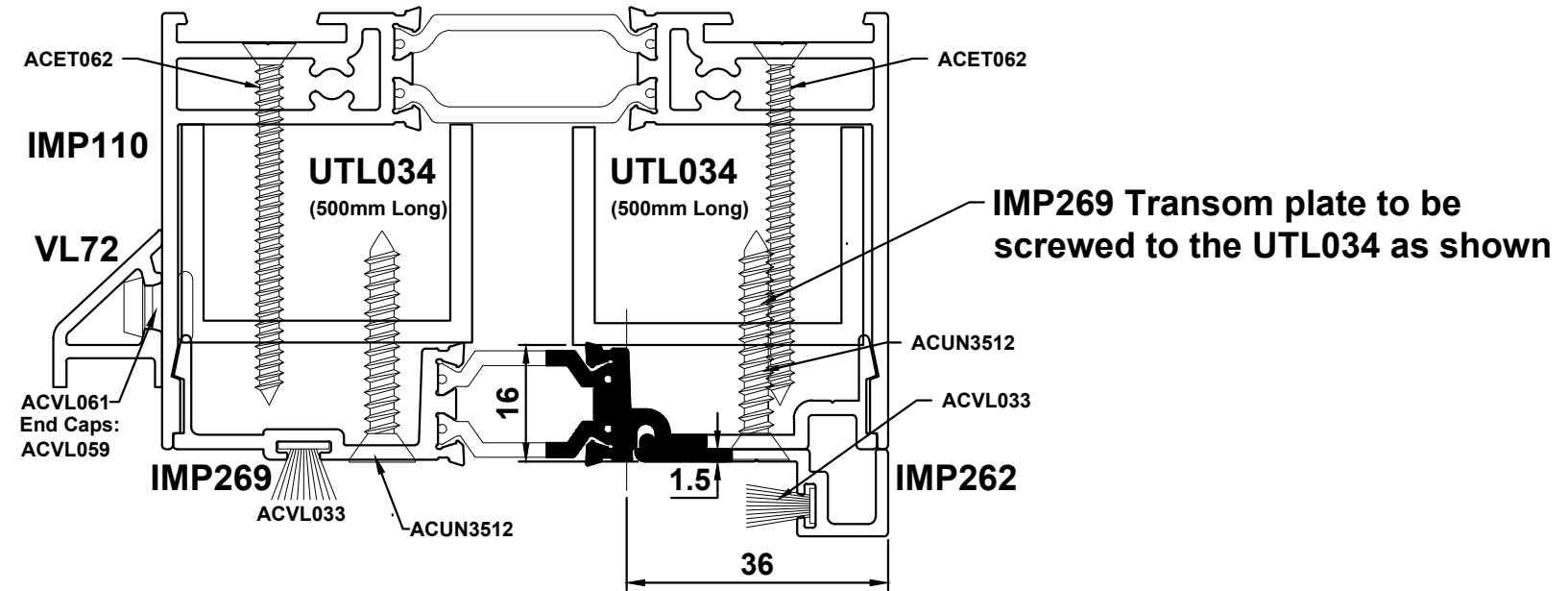
Do Not Scale From This Drawing

CVR Panic Exit Device - Top Frame Keep

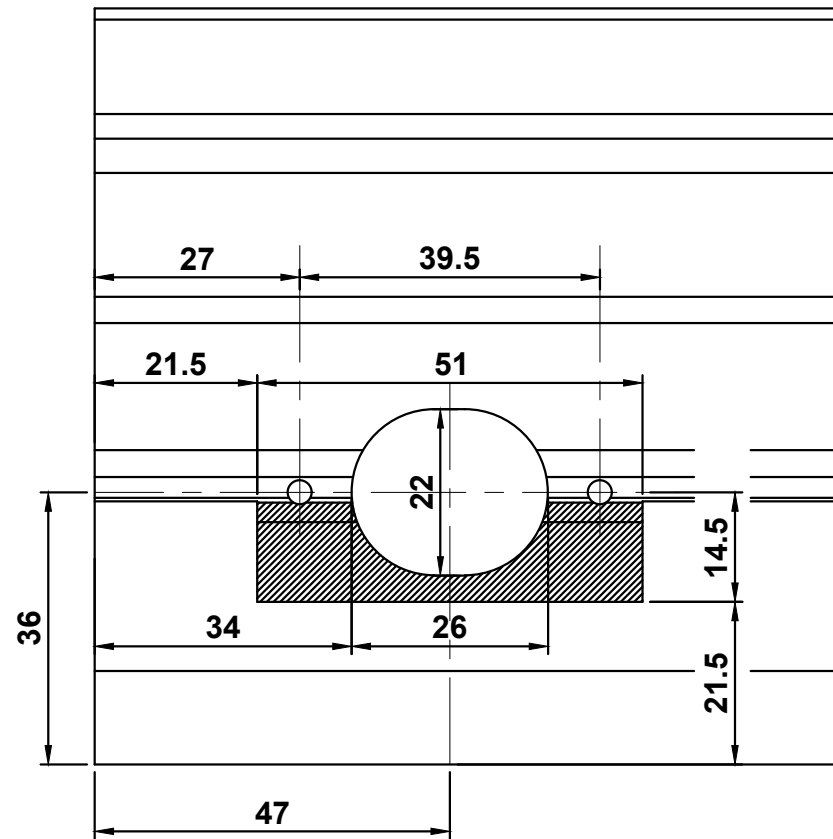
TO BE READ IN CONJUNCTION WITH THE INSTALLATION INSTRUCTIONS PROVIDED WITH THE FITTING



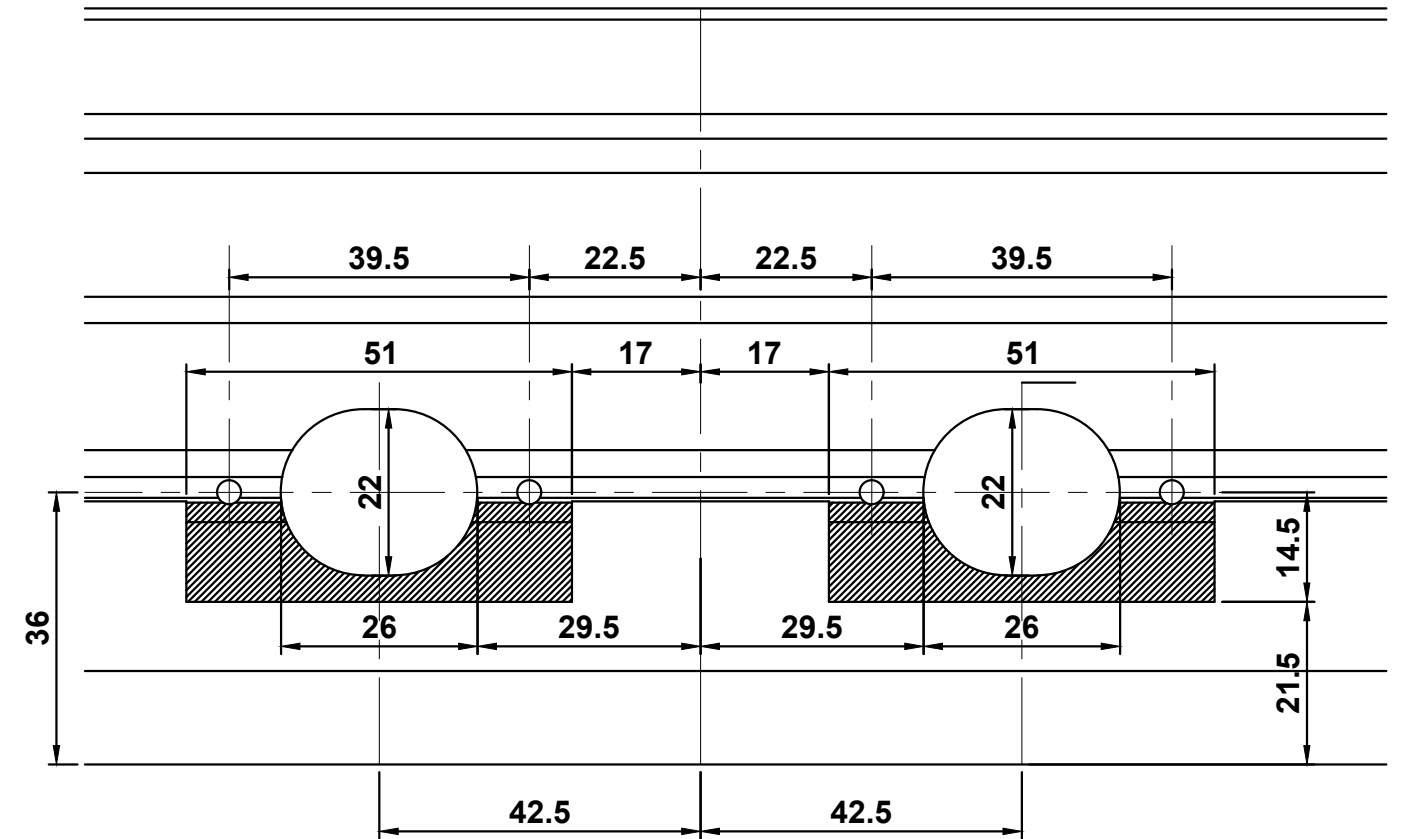
Top Keep (Narrow Type)
to be machined into the
transom as shown



SINGLE DOOR



DOUBLE DOOR

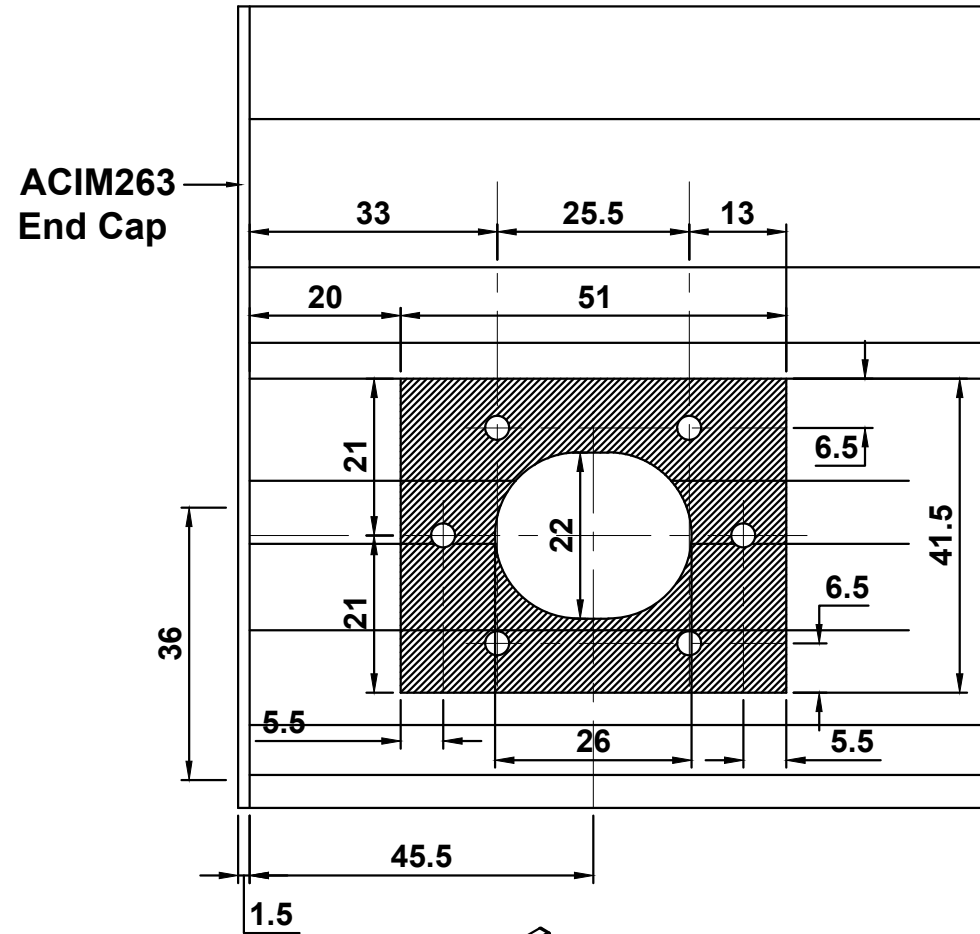


Do Not Scale From This Drawing

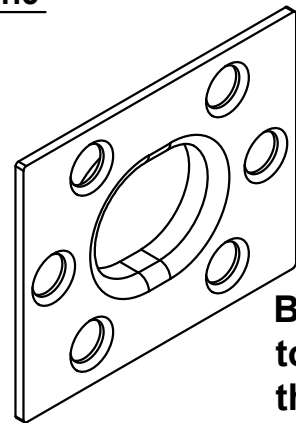
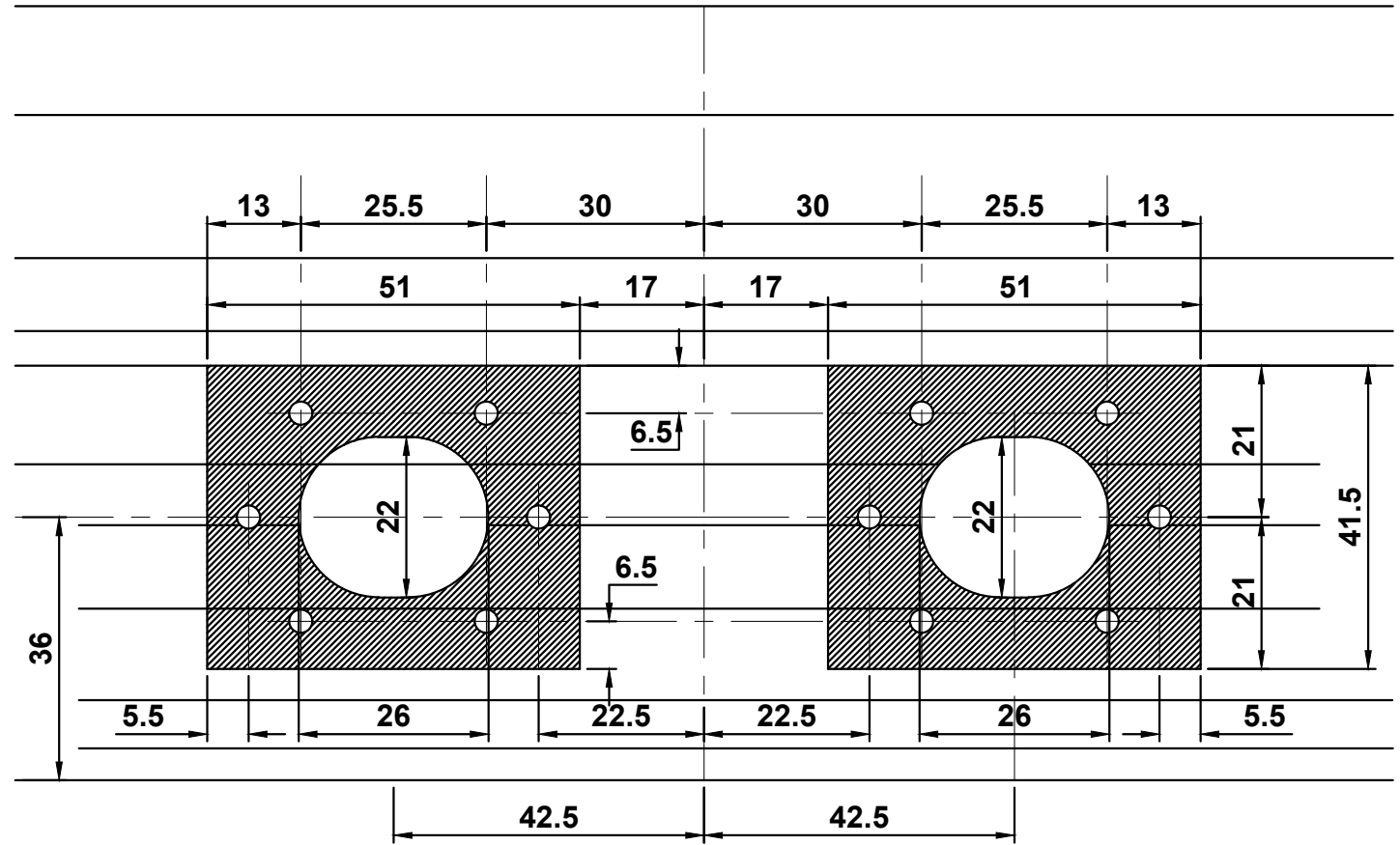
CVR Panic Exit Device - Top Threshold Keep

TO BE READ IN CONJUNCTION WITH THE INSTALLATION INSTRUCTIONS PROVIDED WITH THE FITTING

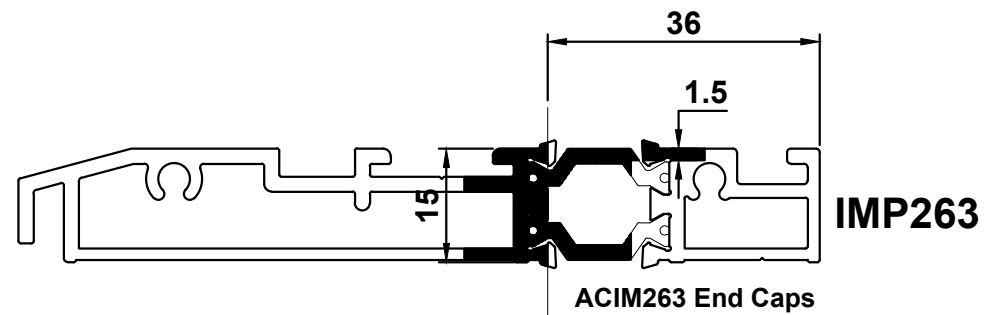
SINGLE DOOR



DOUBLE DOOR



**Bottom Keep (Wide Type)
to be machined into the
threshold as shown**



Do Not Scale From This Drawing

Autoslide PAS24:2016 Overview

When specifying Auto-Slide doors to PAS 24:2016, please note as follows:-

- Please contact Dormakaba to ensure door proposed is within gearing parameters
- Dormakaba will carry out a site risk assessment to ensure compliance with EN12101-2
- Specify bracket finish when ordering (to match frame finish)
- Bracket and fixing kits must be supplied to Dormakaba to allow installation on site with doors

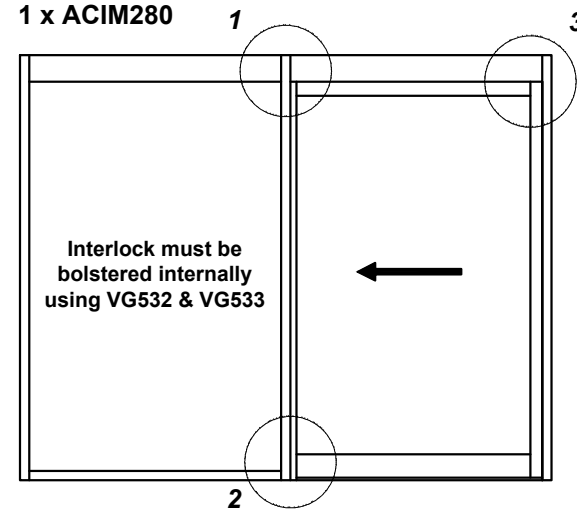
Dormakaba
Tel: 01462 477600
Email: info.gb@dormakaba.com

Single Door

Requires:

1 x ACIM272

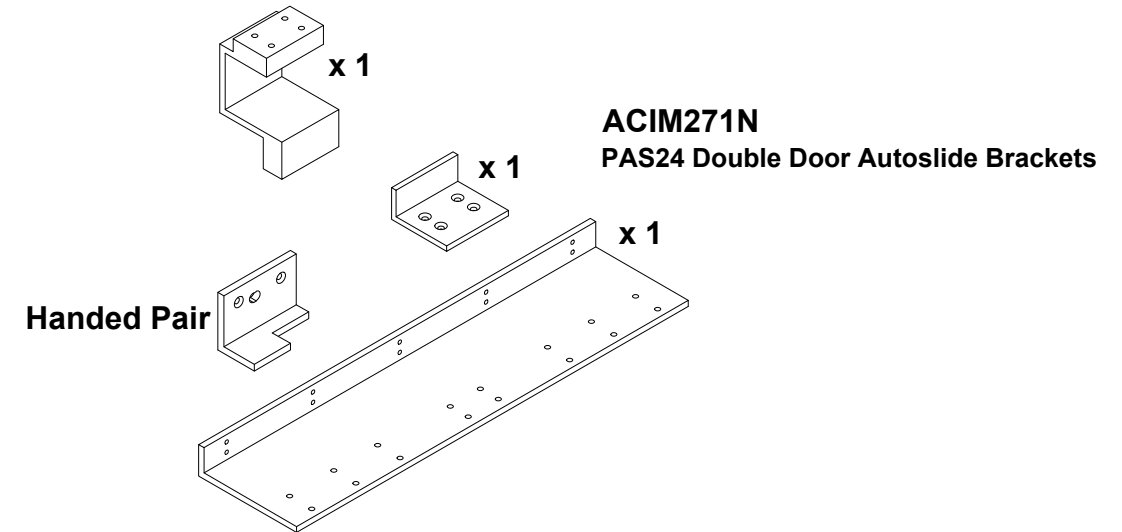
1 x ACIM280



ACIM272		
Part No.	Qty	Loc.
ACIM513	1	1
ACIM505	1	1
ACIM506	2	3
ACIM507	1	2

ACIM271		
Part No.	Qty	Loc.
ACIM513	2	1
ACIM505	2	1
ACIM507	2	2
ACIM508	1	4

ACIM280		
Part No.	Description	Qty
PUA028	No.10 x 1" SS Pan Head Self Tapper	10
ACUN3517	M6 x 30mm CSK Pozi Machine Screw	2
ACUN3518	M6 x 50mm Hex Head Bolt	4
ACUN3519	M6 Penny Washer	32
ACUN3520	M6 Nut	16
ACUN3522	M6 x 30mm Hex Head Bolt	12

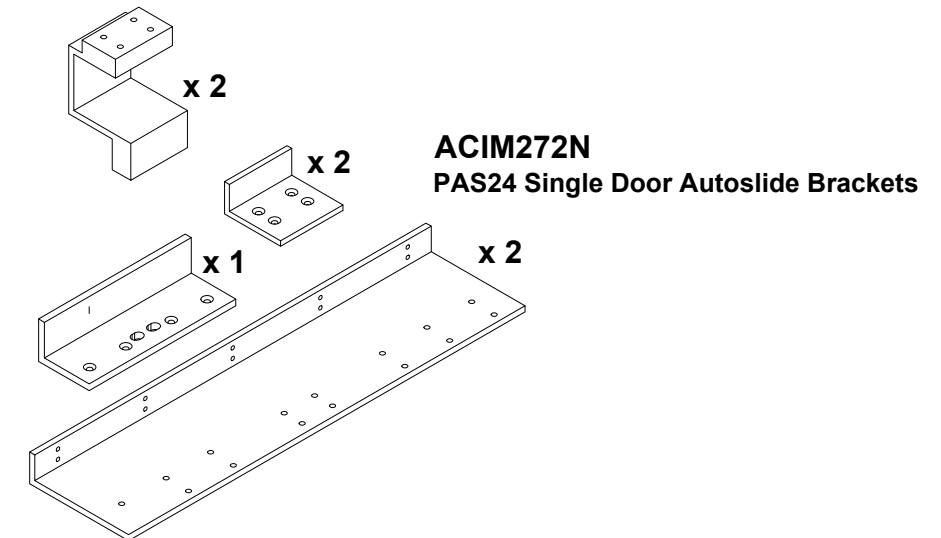
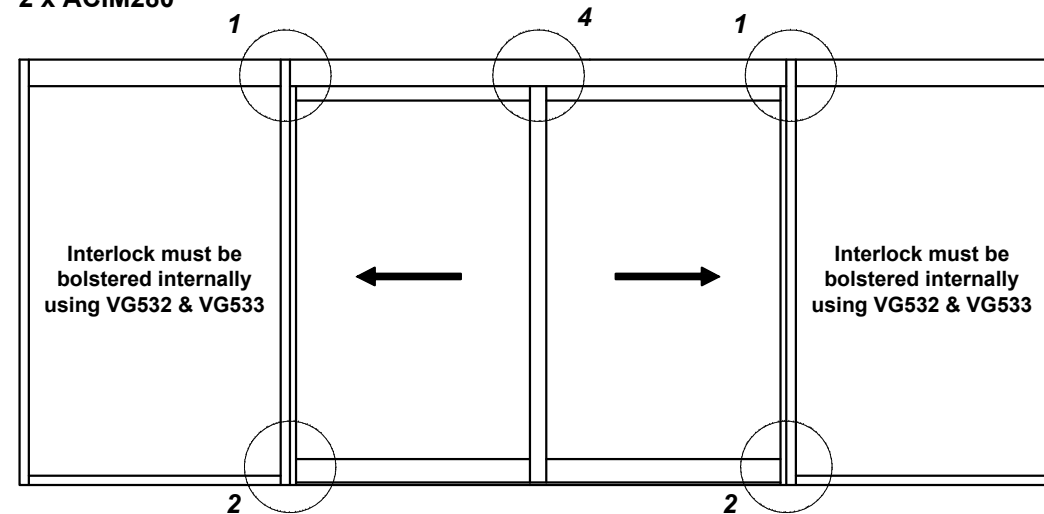


Double Door

Requires:

1 x ACIM271

2 x ACIM280

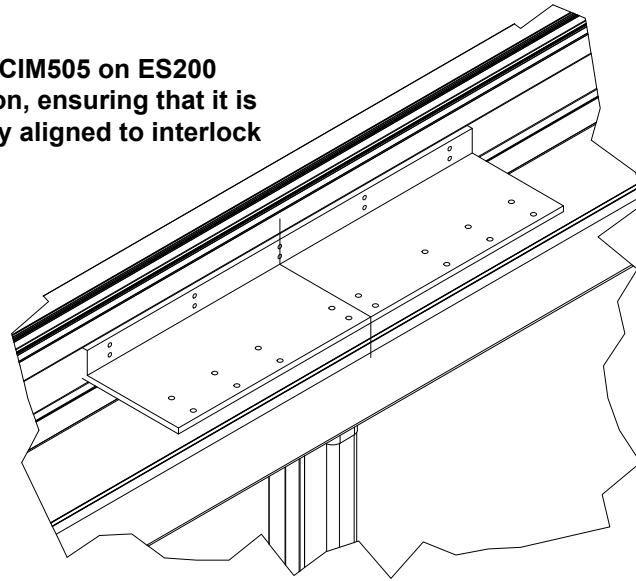


Do Not Scale From This Drawing

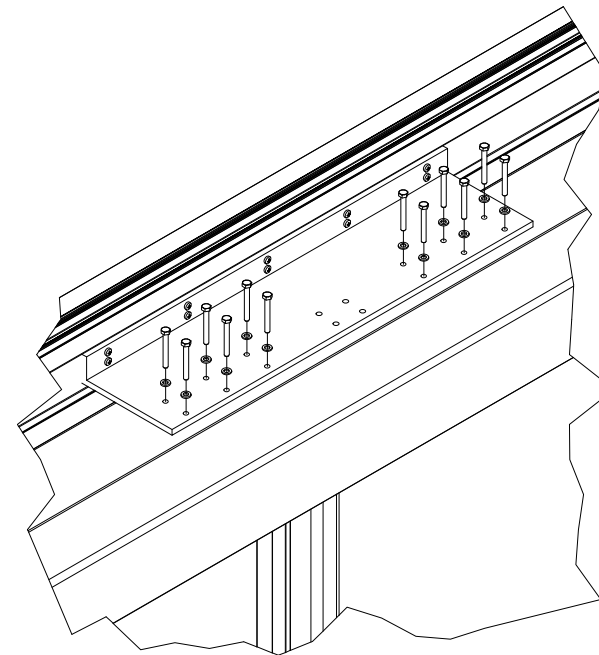
Autoslide PAS24:2016 Bracket Installation

Location 1

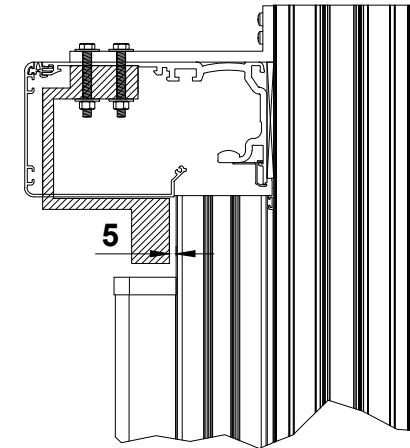
1.
Place ACIM505 on ES200
extrusion, ensuring that it is
centrally aligned to interlock



2.
Fix ACIM505 to IMP116 Header bar using 10 x PUA028.
Depending on the space available on site, either up drill
or down drill Ø7mm holes through additional holes in
ACIM505 into ES200 extrusion. It is not critical to use
pre-drilled holes in ACIM505.
Fix in place using M6x30 Bolts, M6 Washers and M6
nuts



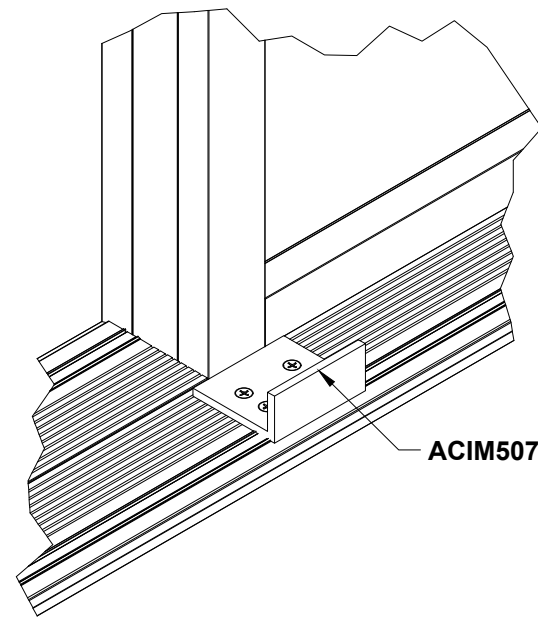
3.
Position C bracket assembly in location shown, ensuring
that the open face of the C bracket is 5mm away from the
interlock. Fix in place using M6x50 Bolts, M6 Washers and
M6 Nuts



Do Not Scale From This Drawing

Autoslide PAS24:2016 Bracket Installation

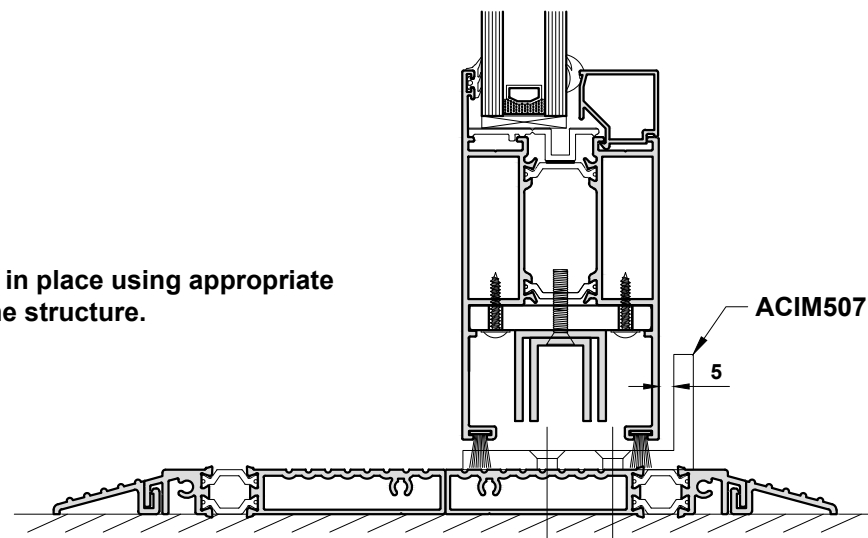
Location 2



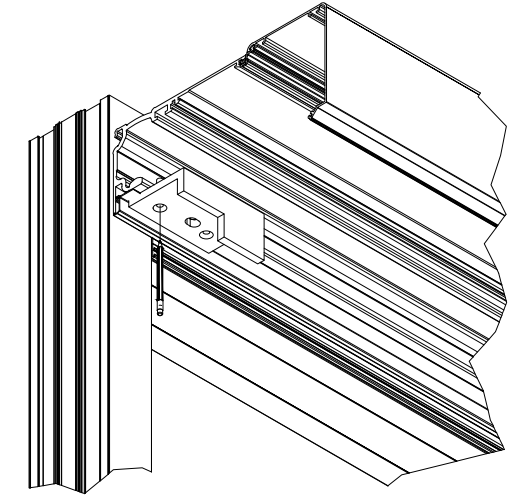
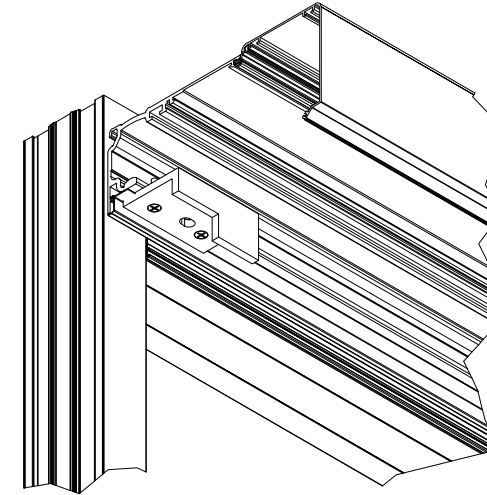
4. Place ACIM507 on threshold ensuring that it is centrally aligned with the interlock. Allow 5mm between internal face of ACIM507 and sliding door

Note: To comply with PAS24:2016 GL526 Glazing bead and minimum glazing of Class P1A must be used.

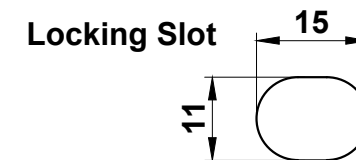
5. Fix ACIM507 in place using appropriate fixings for the structure.



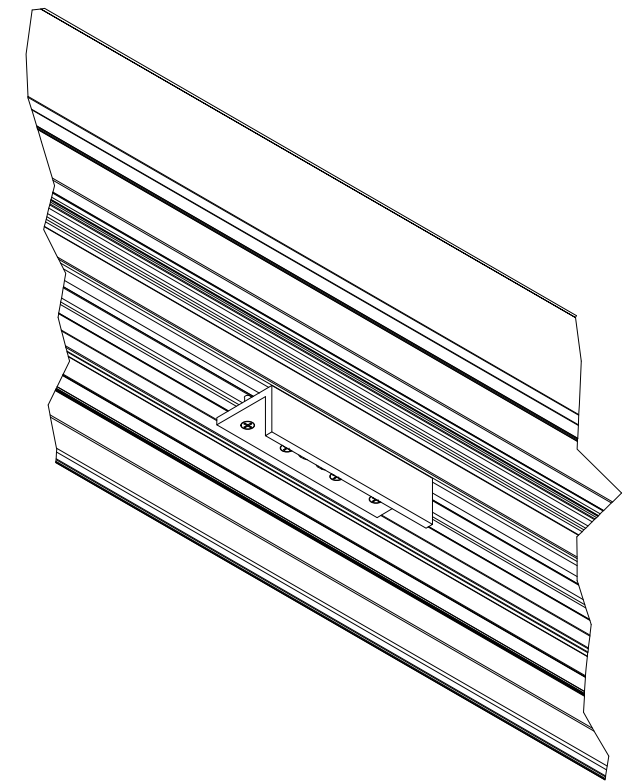
Location 3 & 4



7. Engage BT lock and mark the location(s) of the top locking point(s) in ES200 extrusion. Disengage and slide door(s) aside. Position ACIM506L/R (Single) or ACIM508 (Double), aligning slot(s) in ACIM506/ACIM508 to marked location(s) on ES200 extrusion. Mark hole and slot locations in ES200 extrusion



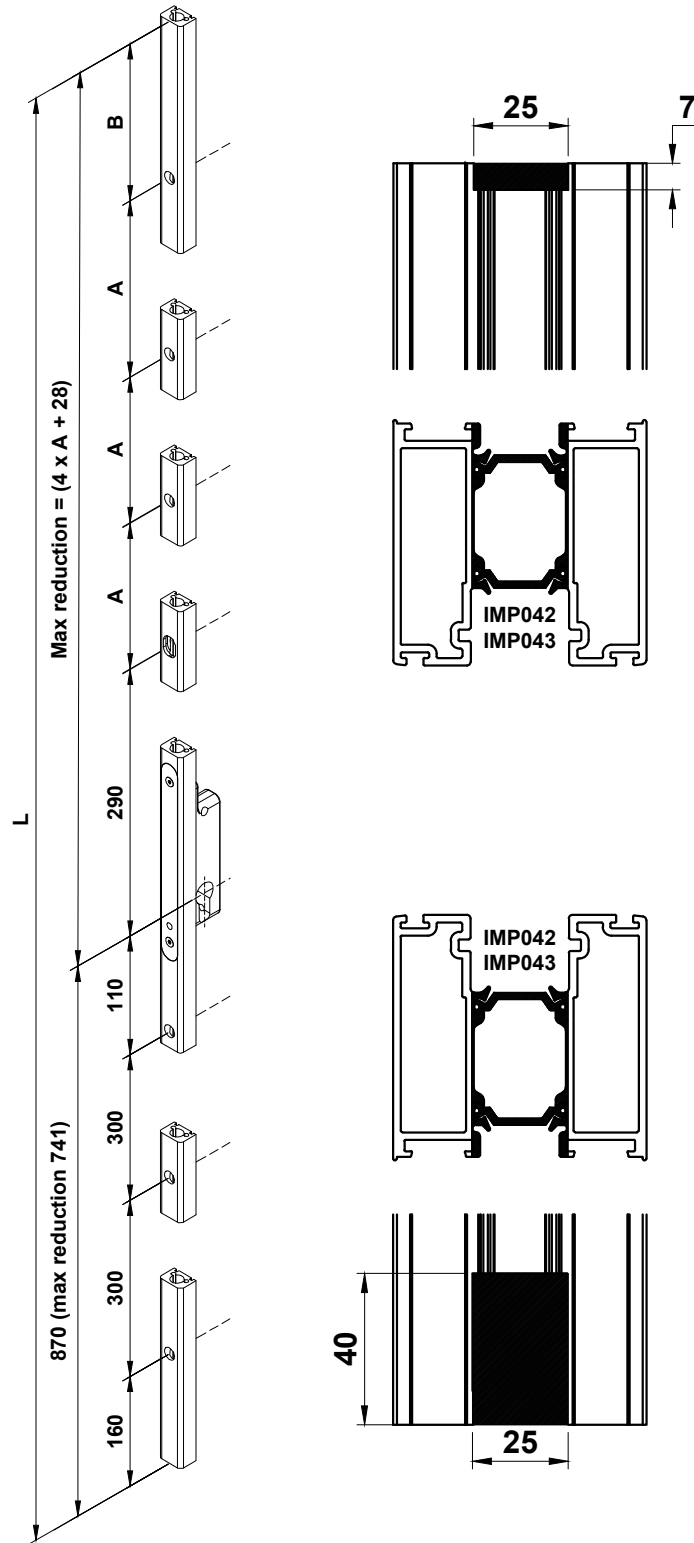
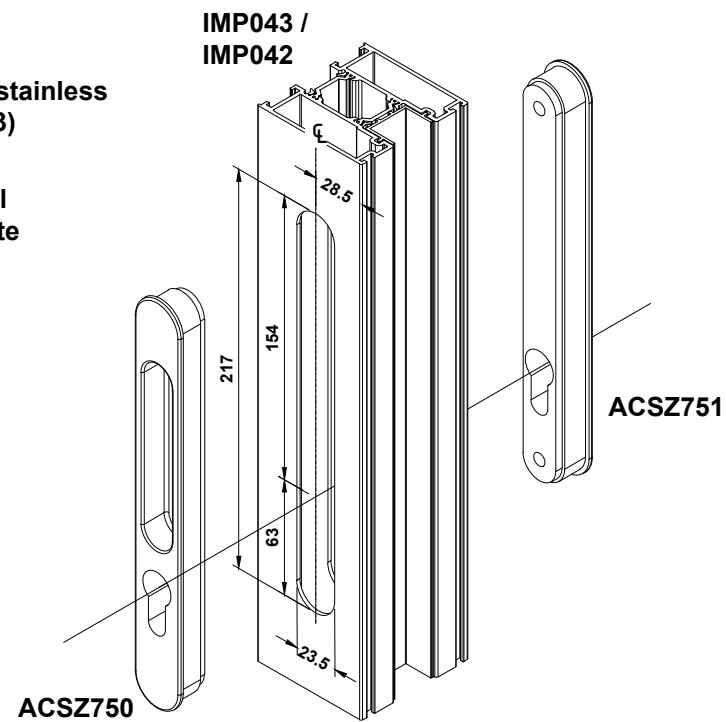
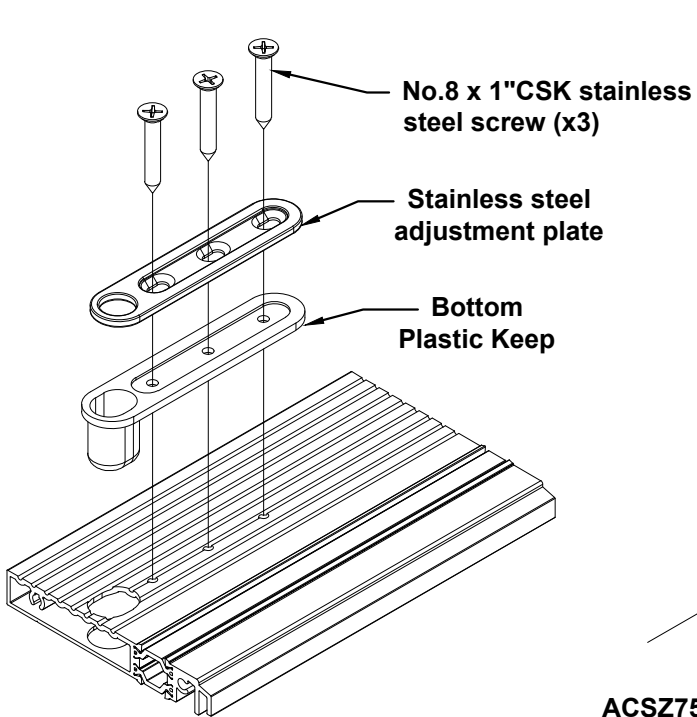
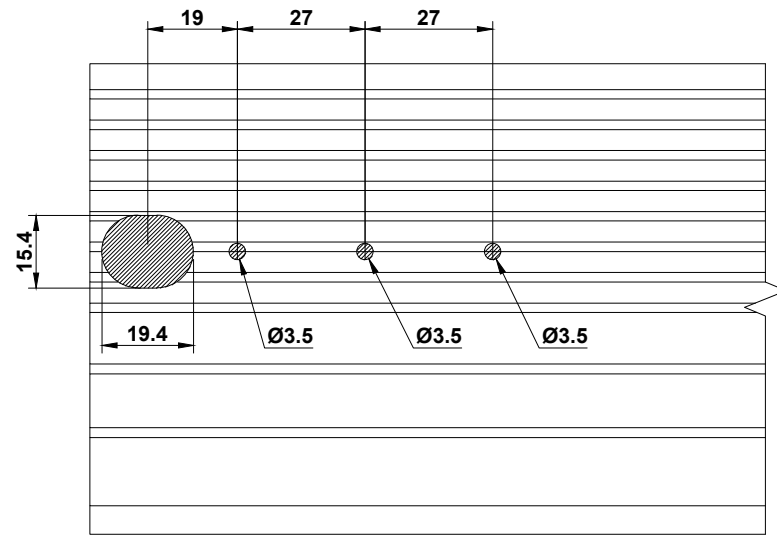
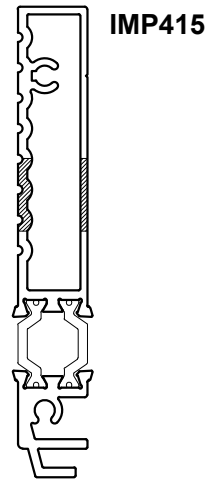
8. Drill and tap hole locations to M6. Drill out slot(s). Fix ACIM506/ACIM508 to ES200 extrusion using M6 X 30 CSK Pozi Machine Screws



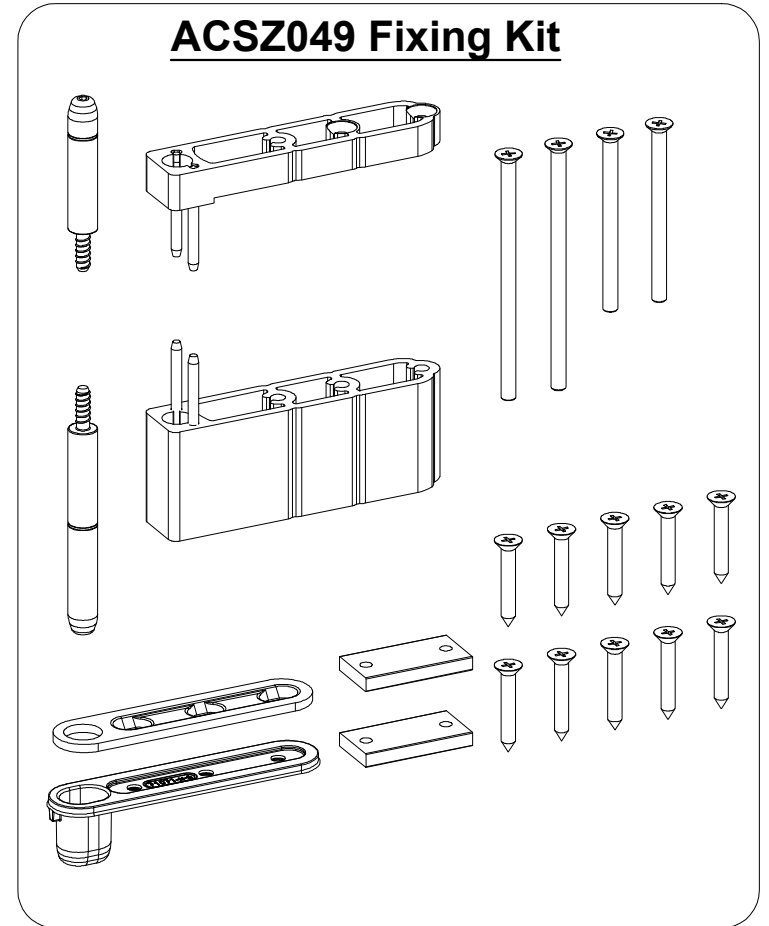
Do Not Scale From This Drawing

Autoslide PAS24:2016 Locking

Threshold Prep for BT Lock



ACSZ049 Fixing Kit



Lock Kit	L	A	B
ACSZ040	2300	300	240
ACSZ041	2700	400	340
ACSZ042	3100	500	440

1. The lock is cut to size together with the rods without removing any parts.
2. The cylinder height can be reduced by cutting up to 741mm from the bottom of the lock.

Do Not Scale From This Drawing

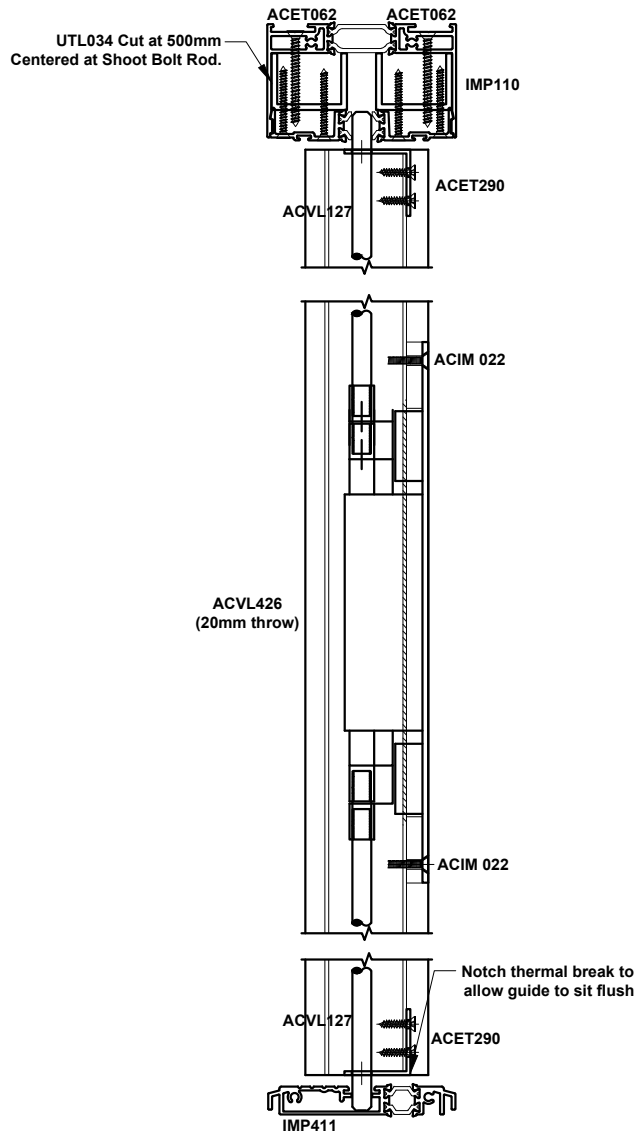
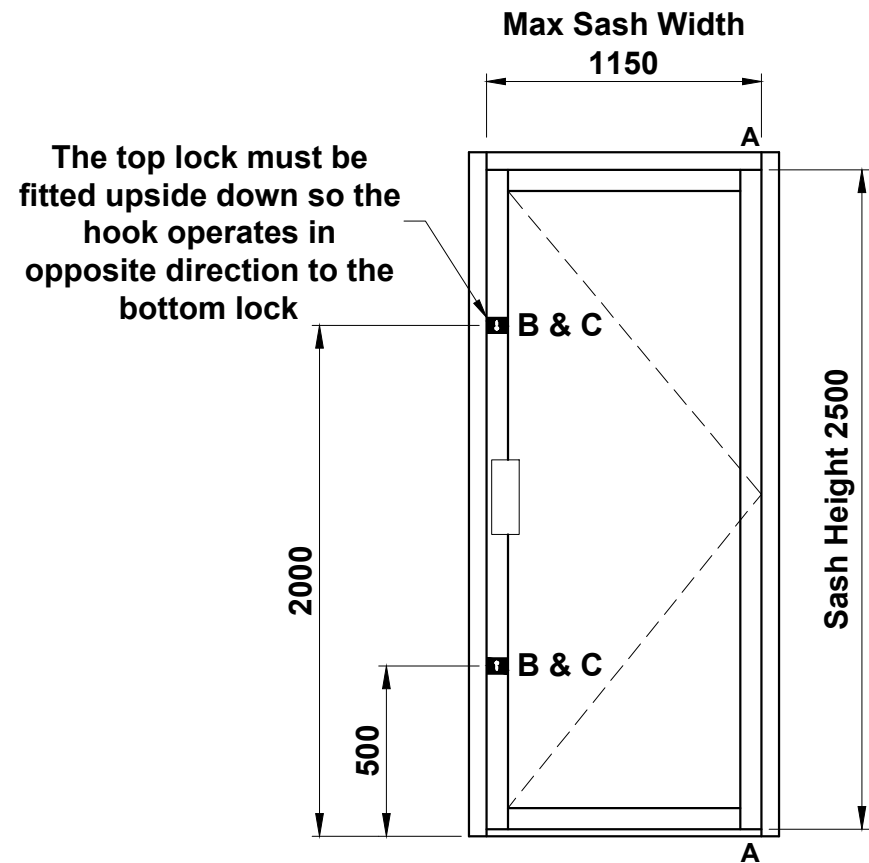
PAS24 2016: Double & Single Door Requirements

Single Door

Accessories Required to Achieve PAS24:2016

- A Closer Kit ACIM423, 424, 425, 426
- B Cylinder & Escutcheon ACCY4040S1 & ACIM443
- C Lock & Keep ACIM440 x 2 & ACIM012 x 2

Note: To comply with PAS24:2016 GL526 Glazing bead and minimum glazing of Class P1A must be used.

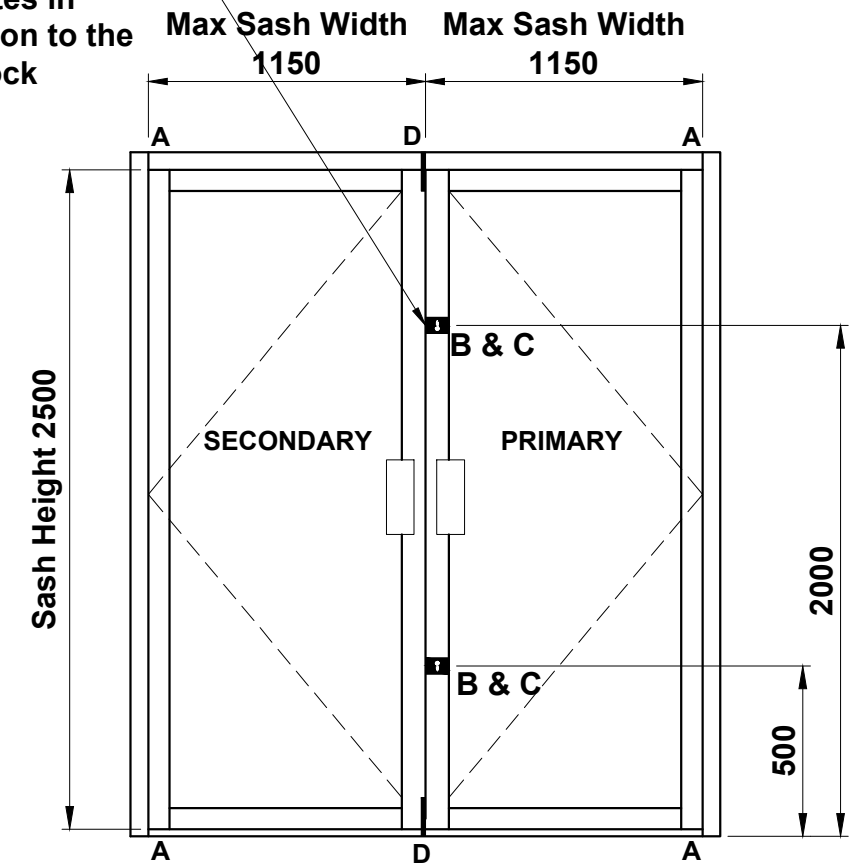


Double Door

Accessories Required to Achieve PAS24:2016

- A Closer Kit ACIM423, 424, 425, 426
- B Cylinder & Escutcheon ACCY4040S1 & ACIM443
- C Lock & Keep ACIM440 x 2 & ACIM008 x 2
- D Shoot Bolts ACVL426 x 1 & ACVL127 x 2

The top lock must be fitted upside down so the hook operates in opposite direction to the bottom lock



Do Not Scale From This Drawing



Section F

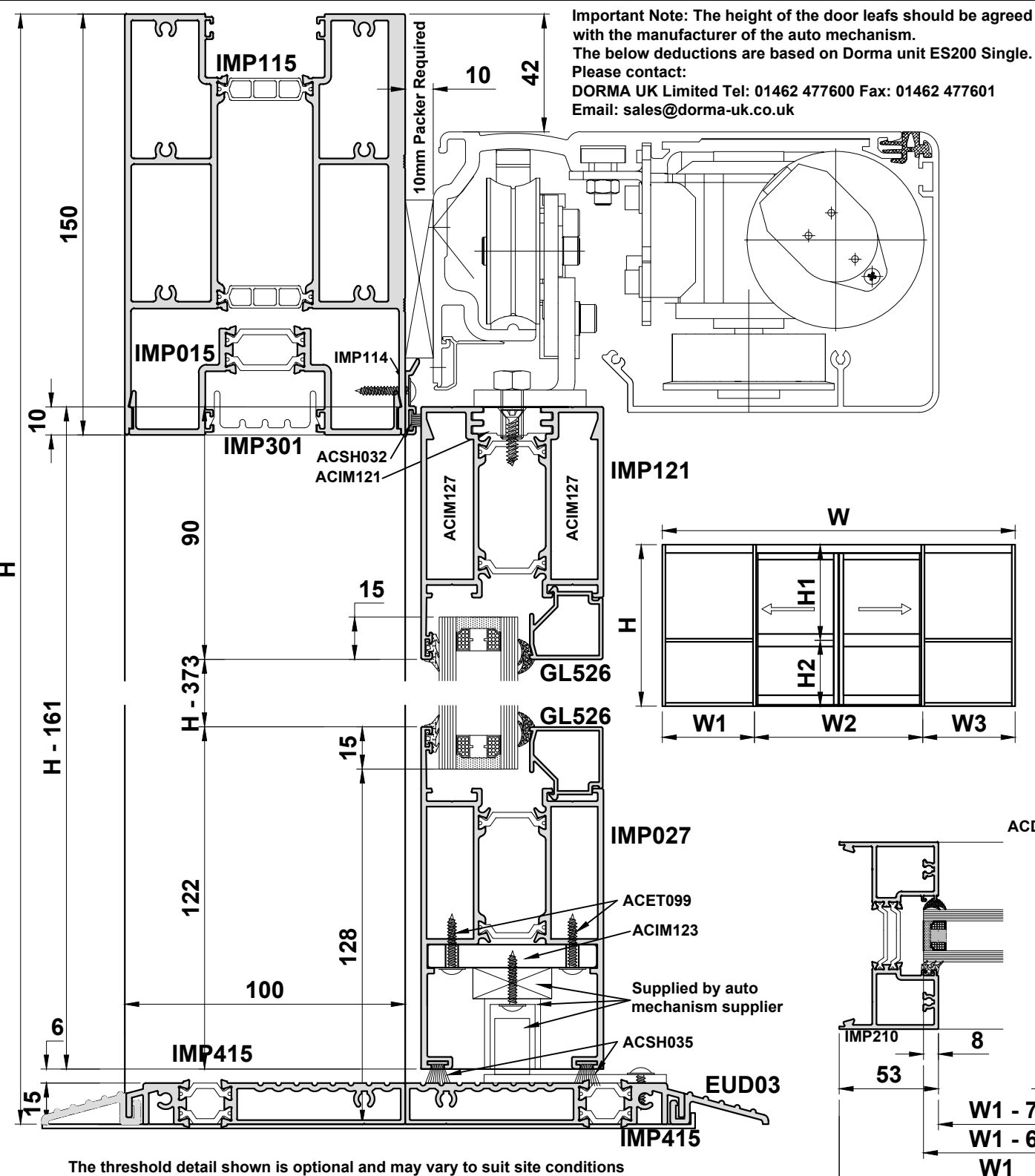


Sawing Tables

Single Manually Operated Swing Door.....	F03
Double Manually Operated Swing Door.....	F04
Single Automatic Swing Door.....	F05
Double Automatic Swing Door.....	F06
Single Automatic Slide Door.....	F07
Bi-Parting Automatic Slide Door.....	F08
Single Rebated Hinged Door.....	F09
Double Rebated Hinged Door.....	F10
Single Rebated Anti-Finger Trap Door.....	F11
Double Rebated Anti-Finger Trap Door.....	F12
Single Autoslide Door PAS24:2016.....	F13
Double Autoslide Door PAS24:2016.....	F14
Open In Single Rebated Anti-Finger Trap Door.....	F15
Open In Double Rebated Anti-Finger Trap Door.....	F16

Section F

Bi-Parting Auto Door



Profile Cutting Schedule

EUD03	1	W2-53
EUD03	1	W
IMP013 (Optional)	2	H
IMP015	2	W1-79.5 W3-79.5
IMP016	2	H
IMP027	2	W2/2-103.5
IMP034	2	W2/2-103.5
IMP039	1	H-165.5
IMP040	3	H-165.5
IMP114	4	H-161
IMP114	1	W2
IMP115	2	W1-79.5 W3-79.5
IMP115	1	W2-53
IMP121	2	W2/2-103.5
IMP210	4	H
IMP219	1	W1-79.5 W3-79.5
IMP300	2	H-161
IMP301	2	H-166
IMP301	1	W2-53
IMP415	1	W2-53
IMP415	1	W
IMP614	1	W1-79.5 W3-79.5
GL526	4	W2/2-103.5
GL526	4	H-373
VG12	4	H-373

Door Glass Size

Without Mid-rail	W2/2-117.5	H-343
With Mid-rail	W2/2-117.5	H1-300 H2-213

W1 Screen Glass Size

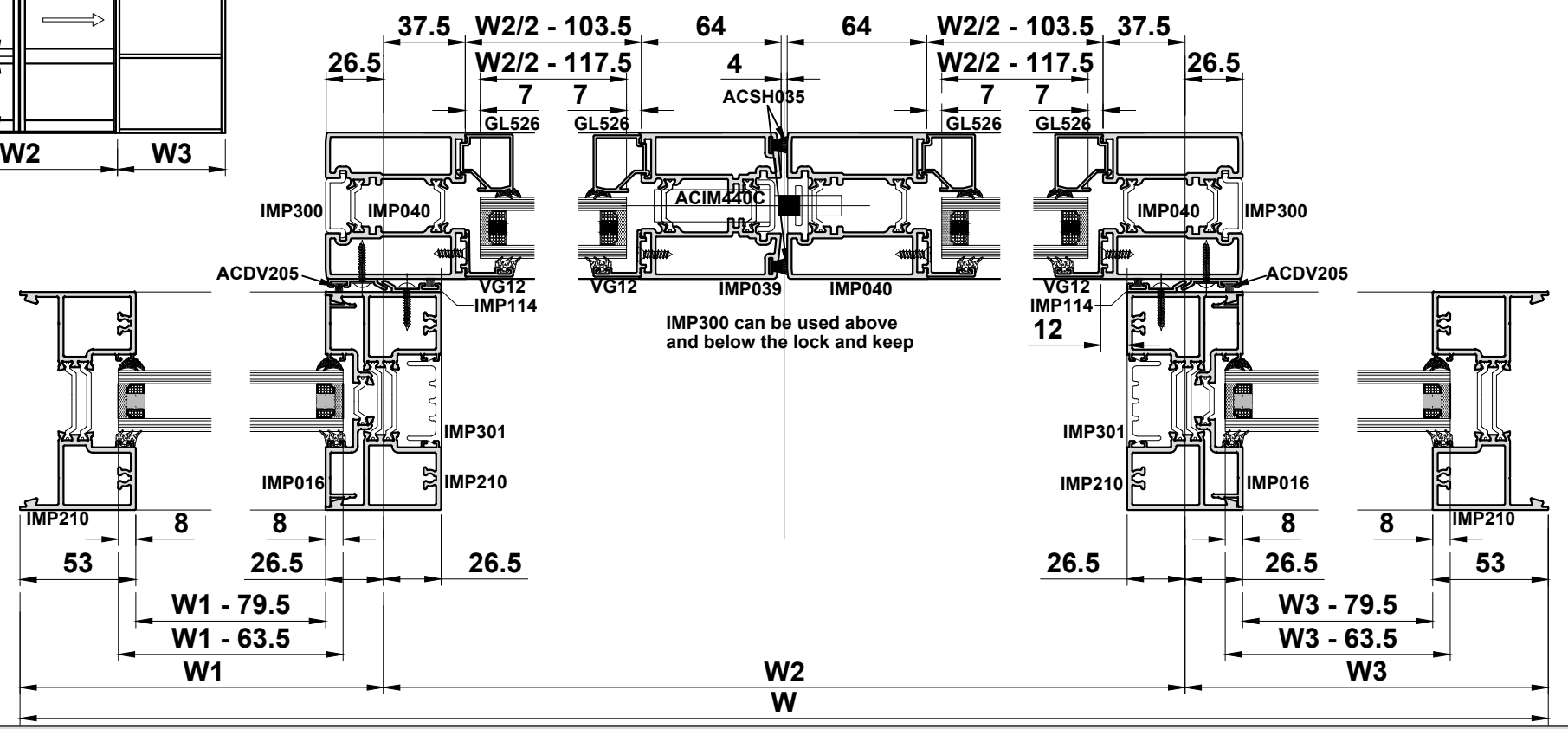
Without Mid-rail	W1-63.5	H-183
With IMP219	W1-63.5	H1-156.5 H2-59.5

W3 Screen Glass Size

Without Mid-rail	W3-63.5	H-183
With IMP219	W3-63.5	H1-156.5 H2-59.5

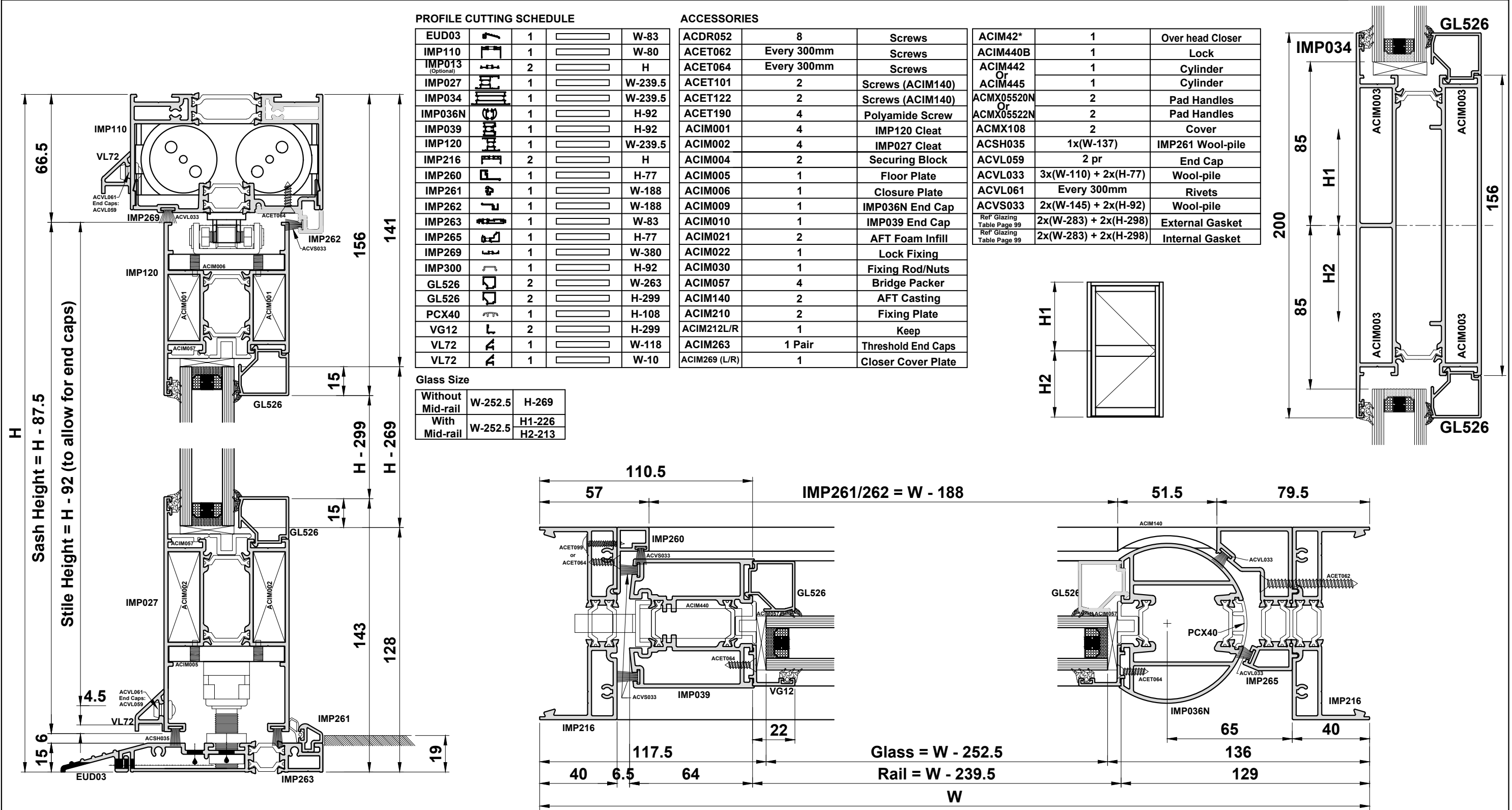
Accessories

ACDR052	32	Screws for Screen	
ACDV205	4	Woolpile	H-159.5
ACDV205	1	Woolpile	W2
ACET064	*	Screws for VG12	
ACET099	*	Screws for IMP114 & ACIM123	*To be fitted at 600mm centres & 150mm in from each end
ACET290	12	Polyamide Screw	
ACIM002	16	IMP027 Cleat	
ACIM008	1	Keep	
ACIM010	1	IMP039 End Cap	
ACIM011	3	IMP040 End Cap	
ACIM022	2	Lock fixing bracket	
ACIM057	8	Bridge Packer	
ACIM121	6	Bracket for Auto Mechanism	
ACIM123	6*	Bracket for Bottom Guide	*To be fitted at 600mm centres
ACIM127	8	IMP121 Cleat	
ACIM271	1	Auto Slide Brackets	
ACIM440C	1	Hook Lock	
ACIM442	1	Cylinder	No Thumb Turn
ACIM445	1	Cylinder	With Thumb Turn
ACMX108	2	Cover	
ACSH035	4	Wool-pile	W2/2+26.5
ACSH035	2	Wool-pile	H-166
Ref Glazing Table Page 99	4	External Gasket	H-296
Ref Glazing Table Page 99	4	External Gasket	W1-63.5 & W3-63.5
Ref Glazing Table Page 99	4	Internal Gasket	H-296
Ref Glazing Table Page 99	4	Internal Gasket	W2/2-104



Do Not Scale From This Drawing

Single Rebated Anti-Finger Trap Door



Do Not Scale From This Drawing

Double Rebated Anti-Finger Trap Door

PROFILE CUTTING SCHEDULE

EUD03		1		W-83
IMP110		1		W-80
IMP013 (Optional)		2		H
IMP027		2		W/2-195.5
IMP034		2		W/2-195.5
IMP036N		2		H-92
IMP038		2		H-92
IMP120		2		W/2-195.5
IMP216		2		H
IMP261		1		W-262
IMP262		1		W-262
IMP263		1		W-83
IMP265		2		H-77
IMP269		1		W-680
IMP300		2		H-92
GL526		4		W/2-197.5
GL526		4		H-299
PCX40		1		H-108
VG12		2		H-299
VL72		1		W/2-156
VL72		1		W/2-127
VL72		1		W-10

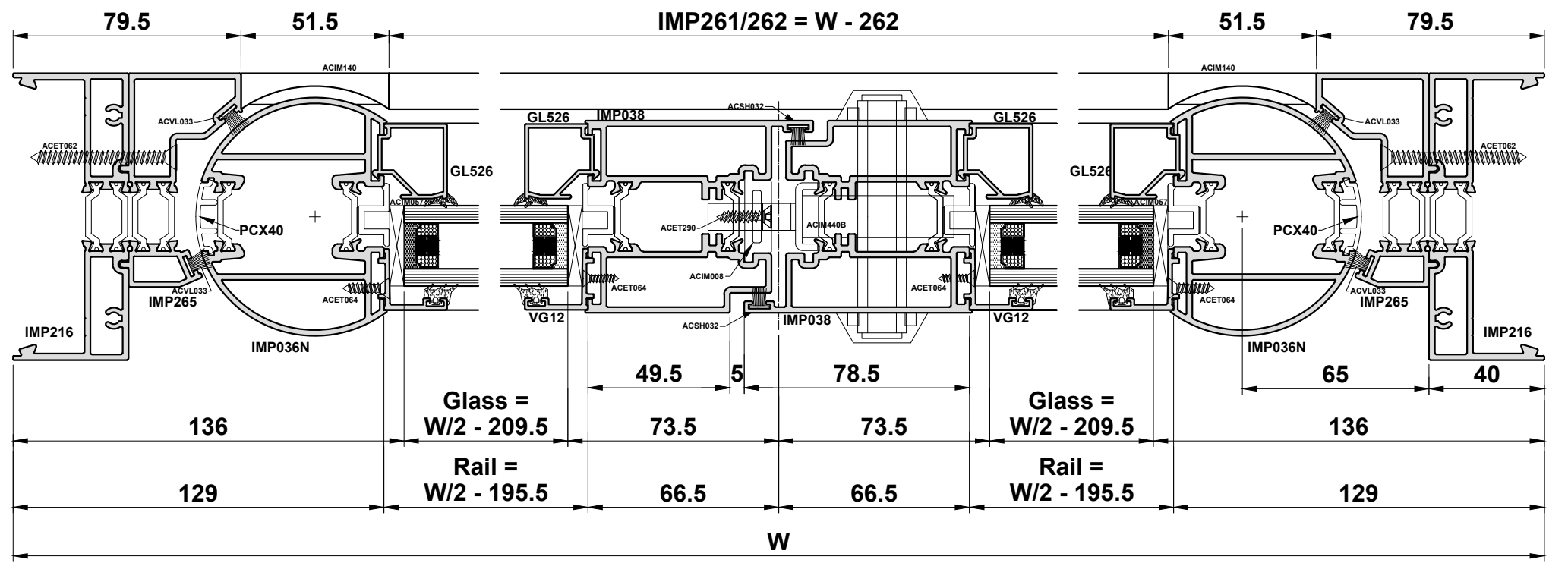
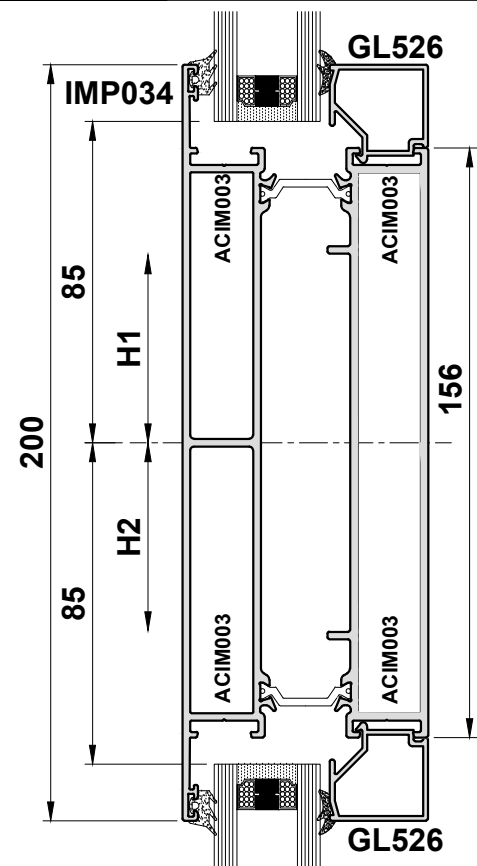
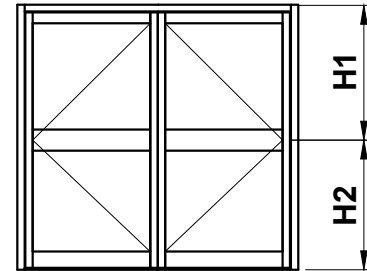
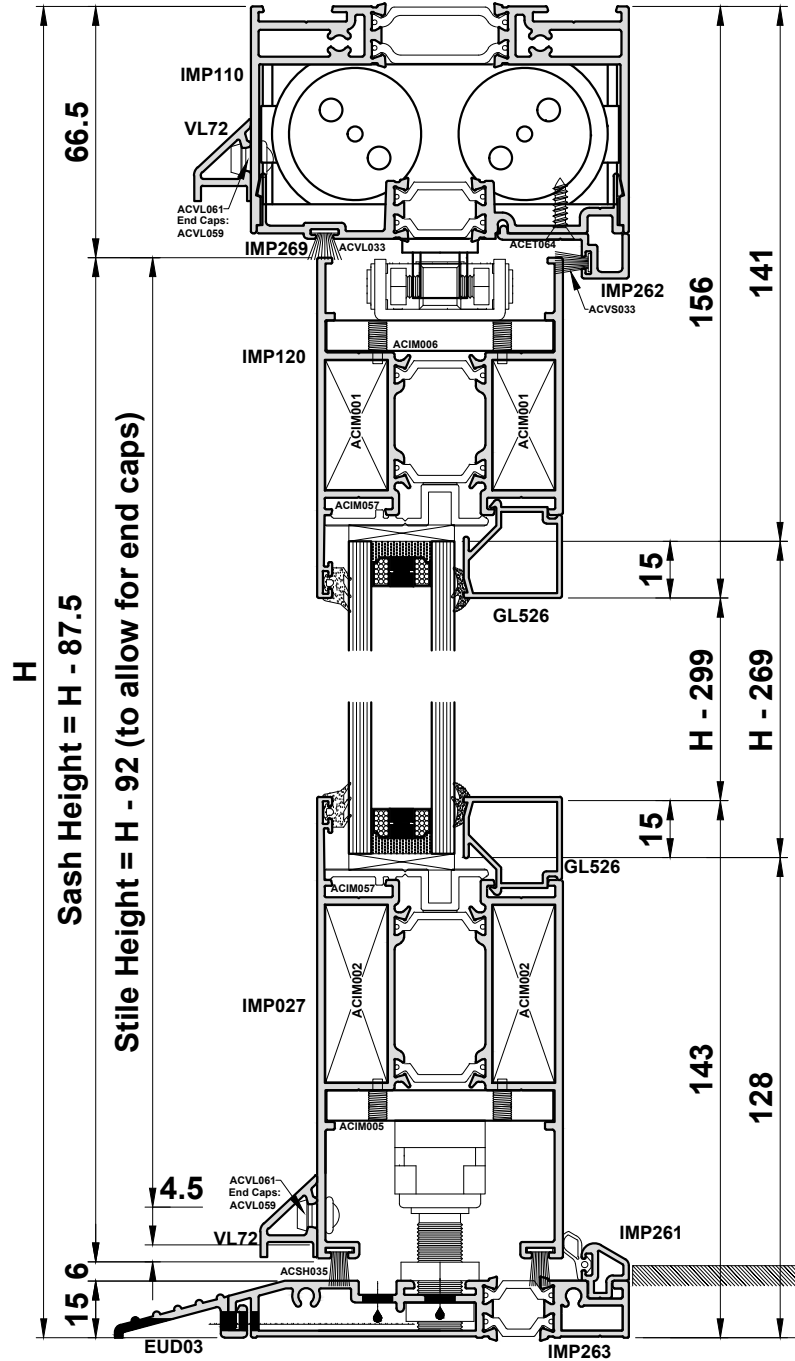
ACCESSORIES

ACDR052	8	Screws
ACET062	Every 300mm	Screws
ACET064	Every 300mm	Screws
ACET101	4	Screws (ACIM140)
ACET122	4	Screws (ACIM140)
ACET190	1	Polyamide Screw
ACIM001	8	IMP120 Cleat
ACIM002	8	IMP027 Cleat
ACIM004	4	Securing Block
ACIM005	2	Floor Plate
ACIM006	2	Closure Plate
ACIM008	1	Keep
ACIM009	2	IMP036N End Cap
ACIM016	2	Packer for Shootbolts
ACIM021	4	AFT Foam Infill
ACIM022	1	Lock Fixing
ACIM030	2	Fixing Rod/Nuts
ACIM038	2	IMP038 End Caps
ACIM057	8	Bridge Packer
ACIM140	4	AFT Casting
ACIM210	4	Fixing Plate
ACIM263	1 Pair	Threshold End Caps

ACIM269 (L/R)	1 Left & 1 Right	Closer Cover Plate
ACIM42*	2	Over head Closer
ACIM440B	1	Lock
ACIM442	1	Cylinder
ACIM445	1	Cylinder
ACMX05520N Or ACMX05522N	4	Pad Handles
ACMX108	4	Pad Handles
ACMX108	2	Cover
ACSH035	1x(W-137)	IMP261 Wool-pile
ACVL059	2 pr	End Cap
ACVL033	3x(W-110) + 2x(H-77)	Wool-pile
ACVL061	Every 300mm	Rivets
ACVS033	2x(W-145) + 2x(H-92)	Wool-pile
Ref Glazing Table Page 99	2x(W-283) + 2x(H-298)	External Gasket
Ref Glazing Table Page 99	2x(W-283) + 2x(H-298)	Internal Gasket

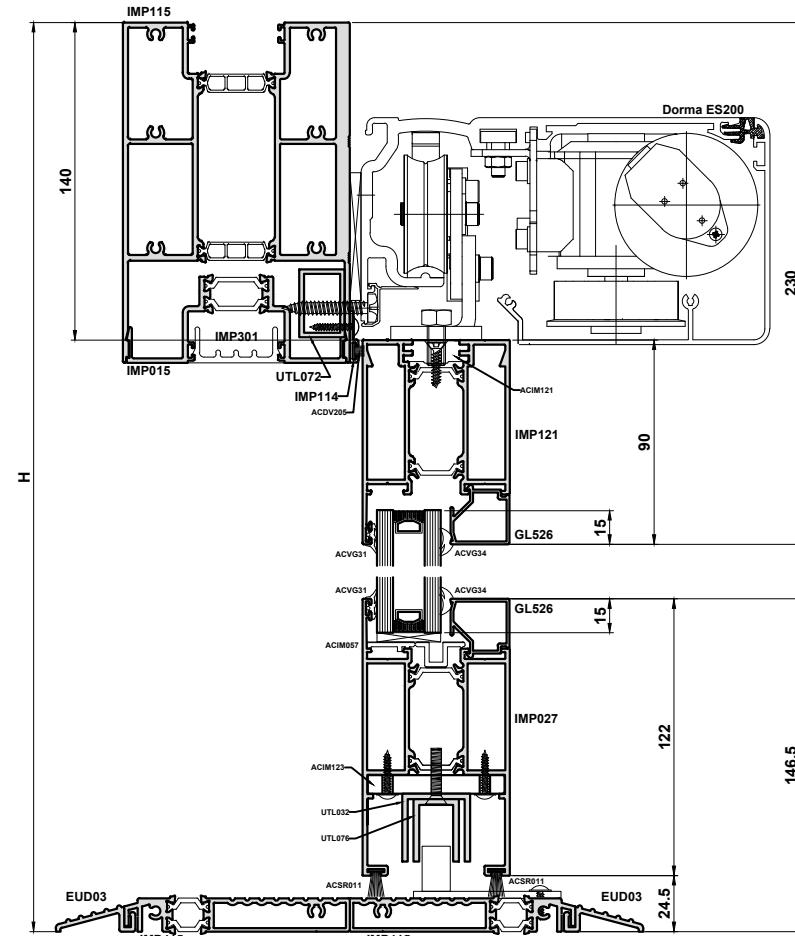
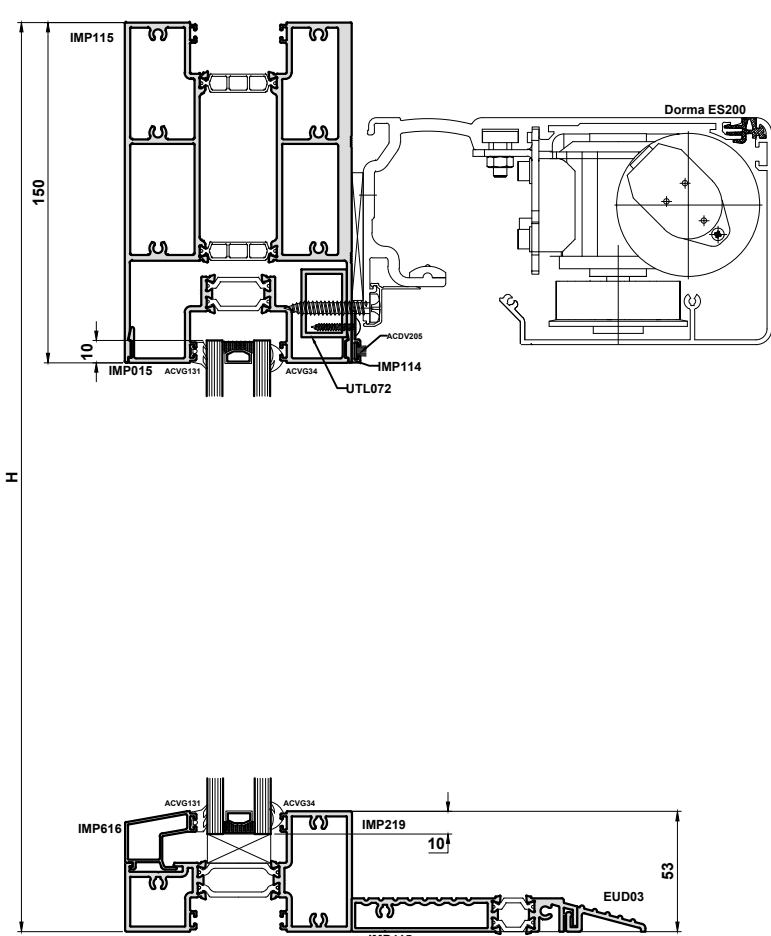
Glass Size

Without Mid-rail	W/2-209.5	H-269
With Mid-rail	W/2-209.5	H1-226
		H2-213



Do Not Scale From This Drawing

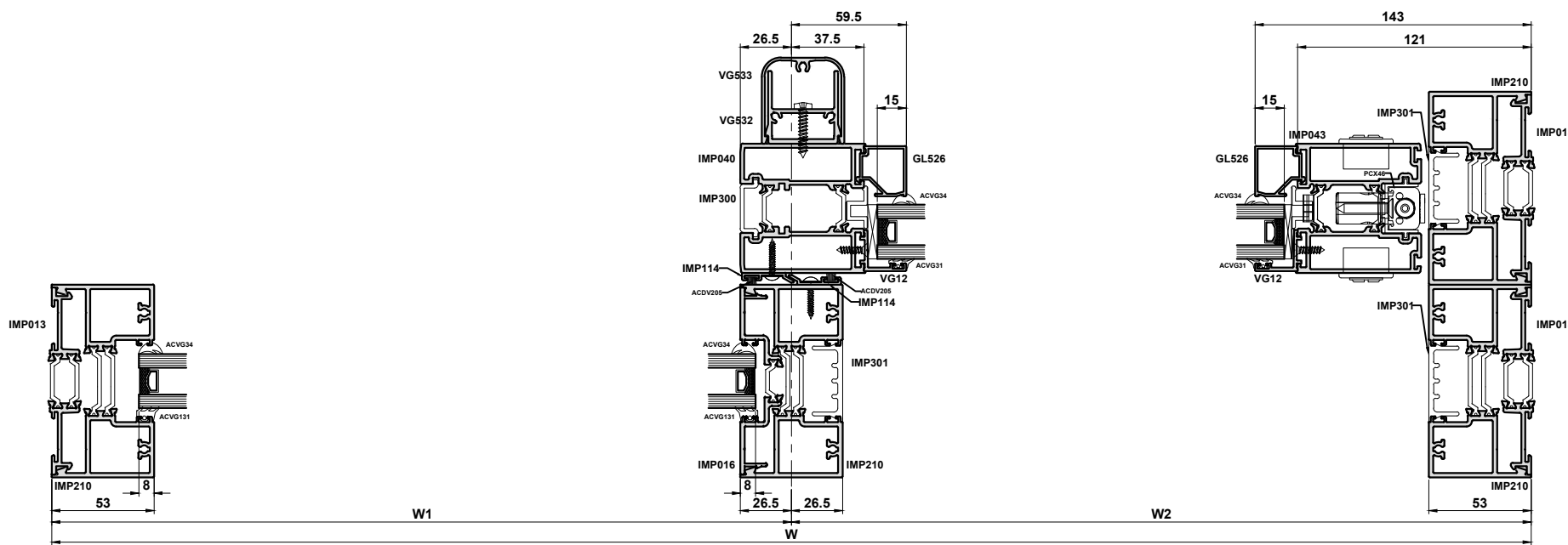
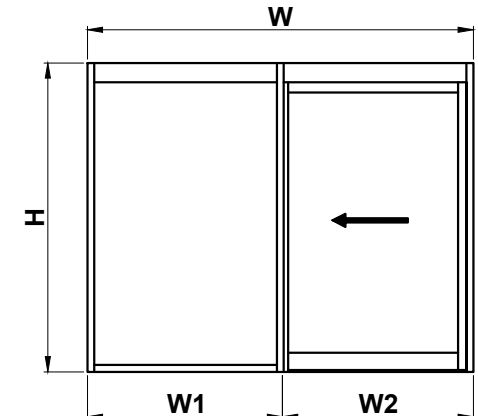
Single Door Autoslide PAS24:2016



EUD03	1	W - 53
EUD03	1	W2 - 79.5
IMP415	1	W - 53
IMP415	1	W2 - 79.5
IMP210	4	H
IMP013	3	H
IMP016	1	H
IMP115	1	W1 - 79.5
IMP115	1	W2 - 79.5
IMP219	1	W1 - 79.5
IMP015	1	W1 - 79.5
IMP015	1	W2 - 79.5
IMP301	3	H
IMP301	1	W2 - 79.5
IMP040	1	H - 169
IMP043	1	H - 169
IMP121	1	W2 - 158.5
IMP027	1	W2 - 158.5
GL526	2	W2 - 158.5
GL526	2	H - 376.5
IMP616	1	W - 79.5
VG12	2	H - 376.5
VG532	1	H - 271.5
VG533	1	H - 271.5
UTL072	1	W1 - 79.5
UTL072	1	W2 - 79.5
IMP300	1	H - 164.5
IMP114	2	H - 164.5
IMP114	1	W1 - 79.5
IMP114	1	W2 - 79.5
PCX46	1	H - 169
UTL032	1	W2 - 220
UTL076	1	W2 - 220

ACVG131	(2 x H) + (2 x W1)	Gasket
ACVG34	(4 x H) + (2 x W)	Gasket
ACVG31	(2 x H) + (2 x W2)	Gasket
ACDV205	W + (2 x H)	Woolpile
ACSH035	2 x H	Woolpile
ACSR011	2 x W2	Woolpile
ACET064	Fitted 150mm from each end and at 600mm centres	Screw (VG12)
ACET099	Fitted 150mm from each end and at 600mm centres	Screw (IMP114)
ACET099	Fitted 150mm from each end and at 600mm centres	Screw (UTL072)
ACMC109	2 per ACIM123	Screw (ACIM123)
ACET290	6	Polyamide Screw (ACIM121)
ACIM127	4	Cleat
ACIM002	4	Cleat
ACIM002	4	Cleat
ACIM043	1	IMP043 End Cap
ACIM011	1	IMP040 End Cap
ACIM057	4	Bridge Packer
ACSZ040/1/2	1	BT Lock
ACSZ049	1	BT Lock Fixing Kit
ACIM121	3	Auto Mechanism Bracket
ACIM123	Fitted at 600mm centres	Guide Channel Bracket
ACIM442	1	Cylinder
ACIM130	8	Foam Insert
ACSZ750	1	Handle Grip
ACSZ751	1	Handle Grip
ACVG533	1	VG533 End Caps
ACDV241	8	Lock Fixing Plates
ACDV266	8	Lock Fixing Screws
ACIM272	1	PAS24 Single Door Bracket Kit
ACIM280	1	Fixing Kit for PAS24

Door Glass	W - 172.5 x H - 346.5
Screen Glass	W - 63.5 x H - 183

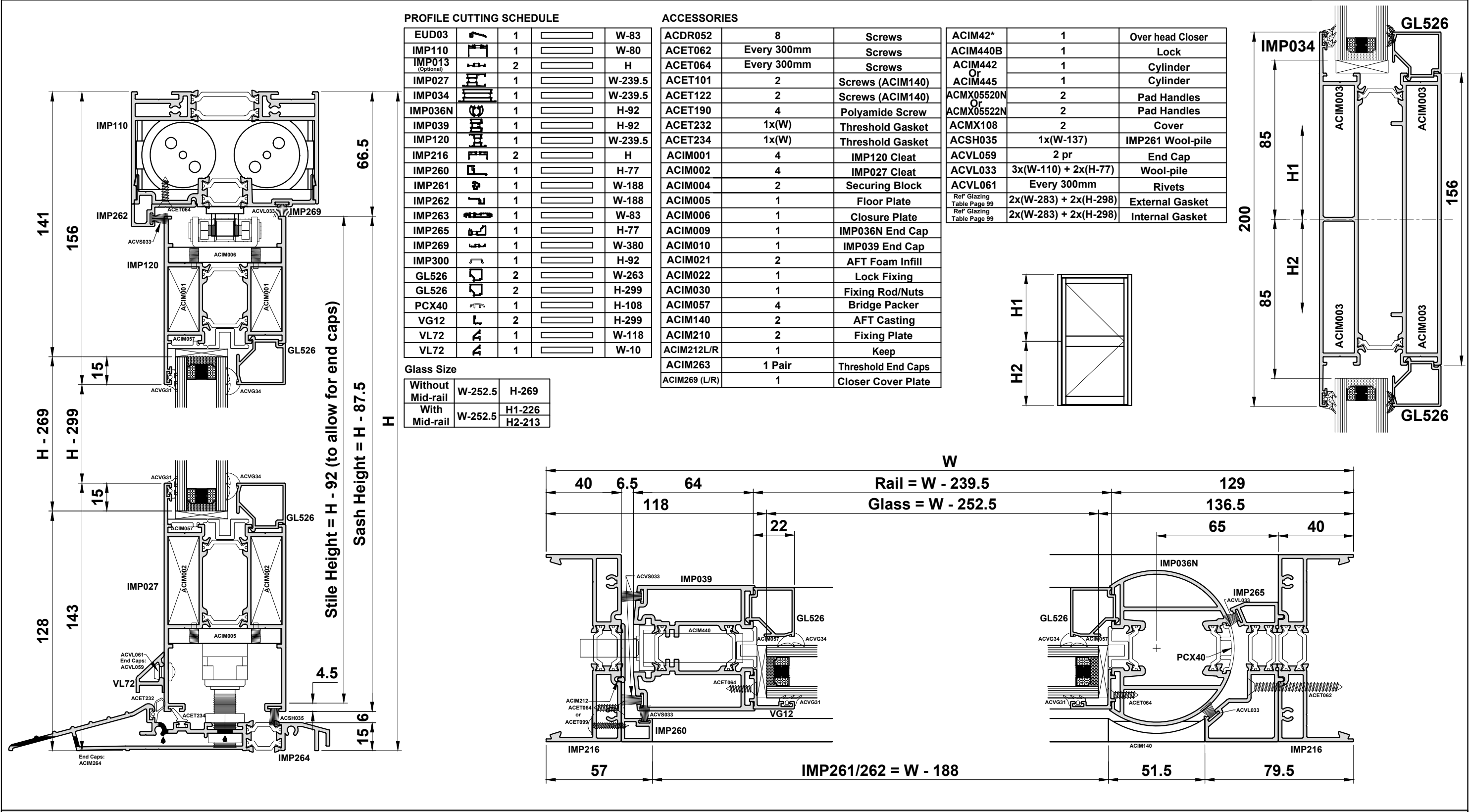


Dormakaba
Tel: 01462 477600
Email: info.gb@dormakaba.com

- When specifying Auto-Slide doors to PAS 24:2016, please note as follows:-
- Please contact Dormakaba to ensure door proposed is within gearing parameters
 - Dormakaba will carry out a site risk assessment to ensure compliance with EN12101-2
 - Specify bracket finish when ordering (to match frame finish)
 - Bracket and fixing kits must be supplied to Dormakaba to allow installation on site with doors

Do Not Scale From This Drawing

Open In Single Rebated Anti-Finger Trap Door



PROFILE CUTTING SCHEDULE

EUD03	1	W-83
IMP110	1	W-80
IMP013 (Optional)	2	H
IMP027	1	W-239.5
IMP034	1	W-239.5
IMP036N	1	H-92
IMP039	1	H-92
IMP120	1	W-239.5
IMP216	2	H
IMP260	1	H-77
IMP261	1	W-188
IMP262	1	W-188
IMP263	1	W-83
IMP265	1	H-77
IMP269	1	W-380
IMP300	1	H-92
GL526	2	W-263
GL526	2	H-299
PCX40	1	H-108
VG12	2	H-299
VL72	1	W-118
VL72	1	W-10

ACCESSORIES

ACDR052	8	Screws
ACET062	Every 300mm	Screws
ACET064	Every 300mm	Screws
ACET101	2	Screws (ACIM140)
ACET122	2	Screws (ACIM140)
ACET190	4	Polyamide Screw
ACET232	1x(W)	Threshold Gasket
ACET234	1x(W)	Threshold Gasket
ACIM001	4	IMP120 Cleat
ACIM002	4	IMP027 Cleat
ACIM004	2	Securing Block
ACIM005	1	Floor Plate
ACIM006	1	Closure Plate
ACIM009	1	IMP036N End Cap
ACIM010	1	IMP039 End Cap
ACIM021	2	AFT Foam Infill
ACIM022	1	Lock Fixing
ACIM030	1	Fixing Rod/Nuts
ACIM057	4	Bridge Packer
ACIM140	2	AFT Casting
ACIM210	2	Fixing Plate
ACIM212L/R	1	Keep
ACIM263	1 Pair	Threshold End Caps
ACIM269 (L/R)	1	Closer Cover Plate

ACIM42*	1	Over head Closer
ACIM440B	1	Lock
ACIM442 Or ACIM445	1	Cylinder
ACMX05520N Or ACMX05522N	2	Pad Handles
ACMX108	2	Pad Handles
ACSH035	1x(W-137)	IMP261 Wool-pile
ACVL059	2 pr	End Cap
ACVL033	3x(W-110) + 2x(H-77)	Wool-pile
ACVL061	Every 300mm	Rivets
Ref Glazing Table Page 99	2x(W-283) + 2x(H-298)	External Gasket
Ref Glazing Table Page 99	2x(W-283) + 2x(H-298)	Internal Gasket

Glass Size

Without Mid-rail	W-252.5	H-269
With Mid-rail	W-252.5	H1-226 H2-213

Do Not Scale From This Drawing

