

Main Index

<div style="border: 1px solid black; padding: 2px; display: inline-block; text-align: center;">DV</div> <div style="border: 1px solid black; padding: 2px; display: inline-block; text-align: center; margin-left: 10px;">Index</div>	<p>Index</p> <p>Update Table</p>	<p>Page A01-A02</p> <p>Page A03-A04</p>
<div style="border: 1px solid black; padding: 2px; display: inline-block; text-align: center;">A</div> <div style="border: 1px solid black; padding: 2px; display: inline-block; text-align: center; margin-left: 10px;">DV</div>	<p>Profiles</p> <p>Specification Pages</p> <p>Technical Information</p> <p>Scale Profile Drawings</p>	<p>Page A05-A08</p> <p>Page A09-A16</p> <p>Page A17-A42</p>
<div style="border: 1px solid black; padding: 2px; display: inline-block; text-align: center;">B</div> <div style="border: 1px solid black; padding: 2px; display: inline-block; text-align: center; margin-left: 10px;">DV</div>	<p>Accessories</p> <p>Photos & Drawings</p>	<p>Page B03-B42</p>
<div style="border: 1px solid black; padding: 2px; display: inline-block; text-align: center;">C</div> <div style="border: 1px solid black; padding: 2px; display: inline-block; text-align: center; margin-left: 10px;">DV</div>	<p>Sections</p> <p>Open Out - Scale Elevations</p> <p>Open In - Scale Elevations</p>	<p>Page C03-C50</p> <p>Page C51-C94</p>
<div style="border: 1px solid black; padding: 2px; display: inline-block; text-align: center;">D</div> <div style="border: 1px solid black; padding: 2px; display: inline-block; text-align: center; margin-left: 10px;">DV</div>	<p>Statics</p> <p>Open Out & In</p>	<p>Page D01-D10</p>
<div style="border: 1px solid black; padding: 2px; display: inline-block; text-align: center;">E</div> <div style="border: 1px solid black; padding: 2px; display: inline-block; text-align: center; margin-left: 10px;">DV</div>	<p>Construction Drawings - Open Out</p> <p>1 - Corner, Threshold & Transom Jointing.....</p> <p>2 - Drainage.....</p> <p>3 - Locking Hardware.....</p> <p>4 - Sash Reinforcement.....</p> <p>5 - Adjustable Jamb.....</p> <p>6 - Hinges.....</p> <p>7 - ACDV382 & ACDV383 Installation.....</p> <p>8 - ACDV32/DV38 Preparation.....</p> <p>9 - ACDV385 Guide.....</p> <p>10 - Weather Seals.....</p> <p>11 - Glazing.....</p> <p>12 - Glass Adjuster Kit</p> <p>13 - Magnetic Catch.....</p> <p>14 - 90° Corner Assembly Post</p> <p>15 - PAS24 Details.....</p> <p>16 - ACDV291N Restrictor</p>	<p>Page E03-E06</p> <p>Page E07</p> <p>Page E08-E20</p> <p>Page E21</p> <p>Page E22</p> <p>Page E23-E24</p> <p>Page E25</p> <p>Page E26</p> <p>Page E27</p> <p>Page E28-E30</p> <p>Page E31-E34</p> <p>Page E35</p> <p>Page E36-E37</p> <p>Page E38</p> <p>Page E39-E41</p> <p>Page E42-E43</p>

Main Index



Construction Drawings - Open In		
1	-	Corner & Transom Jointing..... Page E51-E53
2	-	Drainage..... Page E54
3	-	Locking Hardware..... Page E55-E74
4	-	Flush Handle Installation..... Page E75
5	-	Sash Reinforcement..... Page E76
6	-	Adjustable Jamb..... Page E77
7	-	DV32/DV38 Preparation..... Page E78
8	-	Weather Seals..... Page E79-E81
9	-	Hinges..... Page E82-E83
10	-	Glazing..... Page E84
11	-	Glass Adjuster Kit Page E85
12	-	Magnetic Catch..... Page E86-E87
13	-	90° Corner Assembly Post Page E88
14	-	ACDV385 Guide Page E89
15	-	PAS24 Double Door Page E90
16	-	ACDV291N Restrictor Page E91-E92



Sawing Tables		
Open Out	-	Cutting Information Page F03-F28
Sawing Tables		
Open In	-	Cutting Information Page F29-F54

Updates

DATE	PAGE	DESCRIPTION
04/09/17	A10, A20, D03-D07, E27 & E70 B21 & B22 A12, A25 & C17 A12, A28 & C10 E41, E42, E84 & E85 B03 E28, E75 & F17	Added DV50 Sash Reinforcement Insert Added Split Spindle Locking Options Added DV271 Open Out Low Threshold Added DV551 & DV552 Adjustable Jamb Added ACDV290 Restrictor Added ACCY5050S3 3 Star Security Cylinder Added Adjustable Jamb Details and Example Cutting Sheet
01/03/17	A13, A14, A30 & C72	Added ETC048 Corner Post and UN3000 Horizontal Coupler
20/12/18	E42	Added details for PAS24:2016 Hinged Rollers
14/02/19	B11, E44, E45, E87, E88 Various Pages B14, E11, E57	Replaced ACDV290 Door Restrictor with ACDV291N. Updated PAS24 details and Kitemark. Added ACDV396 Shootbolt Keep.
11/03/20	B14, B18, B23, B24, E44, E87	ACDV341 PAS24 aluminium fixing plate added. ACDV686 PAS24 Double door keep kit added. ACDV762, ACDV763. ACDV772 and ACDV773 lock kits added. PAS24:2016 Double door reinforcement pages added to Section E.
21/05/21	ALL SECTIONS	DV123 & DV126 Slim Sash Sections added DV150 Slim Sash Reinforcing added DV177 Large Rebate added DV73 9mm Sash Adapter added - used the same as DV68 ACDV123 & ACDV126 Cleats added ACDV177 Large Rebate end cap ACDV576, ACDV577, ACDV627, ACDV676, ACDV677 & ACDV745 Locks added ACDV764 Gearbox cover Updated Punch Tool ACDV915 Updated Kitemark Information ACDV244 replaced with ACDV244N

DATE	PAGE	DESCRIPTION
02/01/25	All Sections	DV15, DV19, DV178, DV100, DV220, DV221, DV225, DV228, DV229, DV230, DV235, DV236 added ACDV427, ACDV428, ACDV429 & ACDV430 added Foam insulation added Hardware options streamlined PAS24 requirements updated

GENERAL DESCRIPTION

The Visofold 1000 described in this manual is suitable for domestic or commercial applications and provides various opening options within impressive dimension and weight limitations using slim-line sections.

PROFILE SPECIFICATION

The frames are constructed of aluminium alloy extrusion to BS EN 755, extruded to 6063 T6 alloy. The external aluminium alloy extrusion is pre-treated and finished either in :-

- a) Anodised to BS 3987: 1987, grade AA25 to a natural self colour.
- b) Polyester powder organic coating to BS 6496.

GENERAL MANUFACTURING

Frames are made by cutting the profiles with accurate 45° mitred ends using Tungsten Carbide Tipped Saw Blades, operating at approximately 3000 rpm.

The joints of the outer frame are made using mechanically fixed corner cleats unless a low threshold is used which requires stainless steel self tapping screws to be fixed through the vertical members of the outerframe. Door joints are achieved with the use of mechanically fixed corner cleats. All joints should be sealed using an adequate sealant.

Care should be exercised when using products not supplied by Smart Systems Ltd as no responsibility can be accepted.

RECOMMENDED DESIGN LIMITATIONS

Minimum Sash Width: 700mm

Maximum Sash Width: 1200mm (Sash widths over 900mm require ACDV295)

Maximum Sash Height: 2500mm (dependant on site conditions *)

Maximum Sash Weight: 100kg

*** Subject to lxx calculation/checks, it may be possible to achieve a maximum height up to 3000mm. Please contact Smart Systems technical for project specific advice.
Note! - Doors sashes over 2500mm will be outside of the Kitemark although the same hardware will be used. Please refer to relevant table in this manual.**

DRAINAGE

As with all dry glazed systems, it is recommended that the system is drained and ventilated as shown in this manual. If in doubt, please contact the Technical Department.

OUTER FRAME MANUFACTURING INFORMATION

The outer frame members are cut with 45° mitred ends to the overall size required.

The mitred ends are then prepared using the punch tool ACDV900 or ACDV915 to provide the access for the fixing block and to the grub screw that secures it.

All joints shall be sealed using ACSIL04 and with cleat glue ACSIL013.

Holes for the low threshold are drilled to the dimensions shown in the manual. All joints shall be sealed using ACSIL04

DOOR LEAF MANUFACTURING INFORMATION

The door stiles and rails are cut with 45° mitres to the overall size required. The horizontal rails of the last sash must be measured in to allow for fabrication tolerances.

All joints shall be sealed using ACSIL04 and with cleat glue ACSIL013.

DOOR FITTINGS

Visofold 1000 offers multi-point locking for the primary leaf which is locked by lifting the handle and turning the key of the europrofile cylinder.

Secondary doors are closed using either:

- a shootbolt which engages into the head and threshold using a rotating handle. There is no external access to the shootbolt locking.
- a lever/lever operated lock which engaged into the head and threshold. This option offers external access.

The cylinders may be ordered as keyed alike.

Important Note: Standard shootbolt handles are not designed to open & close the doors. ACDV234/ACDV274 'D' handles must be used. Alternatively use heavy duty shootbolt handles ACDV425/ACDV426.

GLAZING

All beads are cut to suit the glazing aperture on the fully assembled door for glazing either at factory or on site as required. Glazing is for 24, 28, 34, 36 & 38mm double glazed units only with square beads & 32-34mm double glazed units with sloped bead.

External gaskets are compatible with Pilkington Active sealed units.

Visofold 1000 Weather Performance - Open Out - Rebated Theshold

BS EN 1026: 2000 Air Permeability:	Class 4 600Pa
BS EN 1027: 2000 Watertightness:	Class E 750Pa
BS EN 12211: 2000 Resistance to Wind Load:	Class A4 1800Pa

IMPORTANT NOTE:

Low thresholds have not been weather tested as they are unlikely to exceed UK exposure category 800 X shown below:

BS EN 1026: 2000 Air Permeability:	Class 1 150Pa
BS EN 1027: 2000 Watertightness:	Class 2A 50Pa
BS EN 12211: 2000 Resistance to Wind Load:	Class A2 800Pa

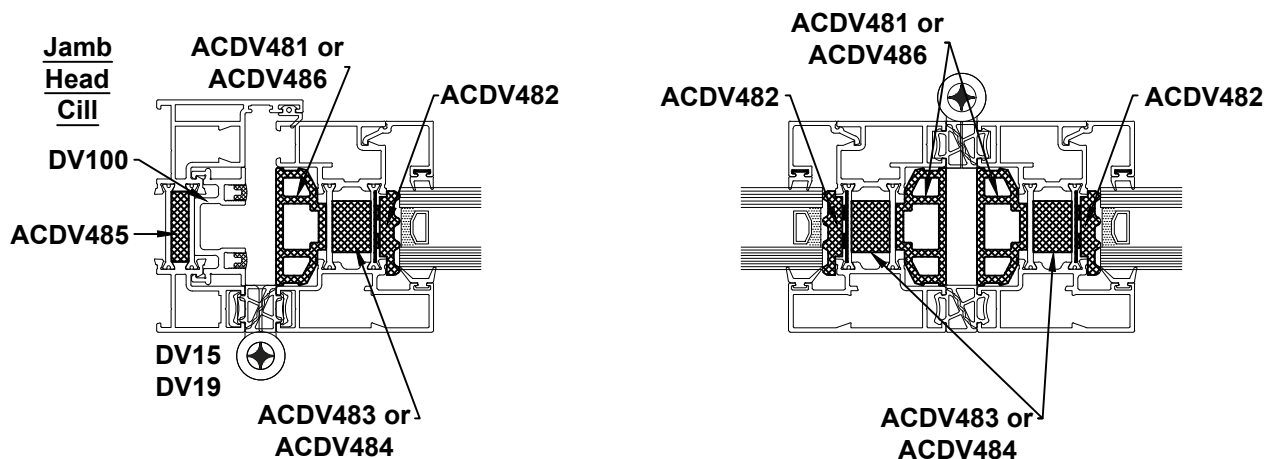
Visofold 1000 PAS24:2022

Visofold 1000 has been successfully tested to PAS24:2022. Please refer to KM 530838 which can be downloaded from: <https://previous.smartsystems.co.uk/documentlibrary>

Visofold 1000 U Values

To achieve enhanced U values, please select DV15, DV19 & DV100 outer frame with ACDV481-ACDV486 foam infills.

Please refer to the Smart Systems' Document L White Paper or contact the Technical Department.



Specification

Kitemark™ Certificate

No. KM 530838

Visofold 1000 Door Systems

BS 4873:2016 / PAS 24:2022 - General and enhanced security performance requirements for door assemblies.

Profiles : Outer Frame: DV14/15/17/19/32/38/56/60/62/68/75/76/171N/172N/173N
174/175/176/DV178/271N/273N/555/EUD03
Leaf : DV220/DV221/DV225/DV228/DV229
Midrail : DV230/DV235
Frame Filler: PCX38

Hardware : Locking : ACDV722/723/727/728/737/738/742/744
Ancillary : ACDV686 Double Door Keep, ACDV341 Aluminium Fixing Plate,
ACDV080 Run Up, ACDV081 Anti-Lift Blocks
Shoot Bolts : ACDV227/229/297/328
Hinges : ACDV232/233/331/334/380/381
Handle : ACDV225/226/425/426/624/625/251* ACET480
Cylinder + Cover : ACCY5050S3*, ACDV258, ACCY0045

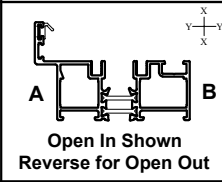
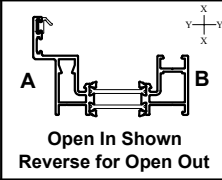
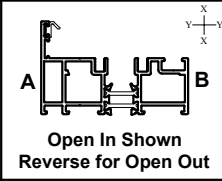
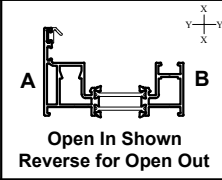
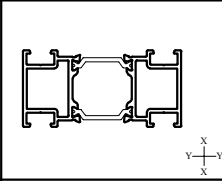
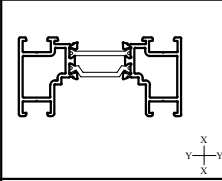
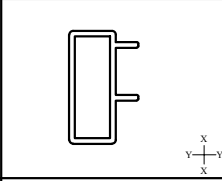
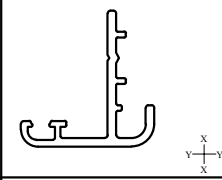
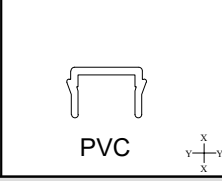
*Handle ACDV251 must be used with security cylinder ACCY5050S3

Kitemark Size Limitations And Performance Characteristics

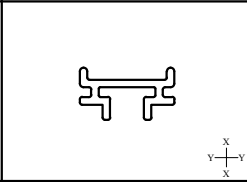
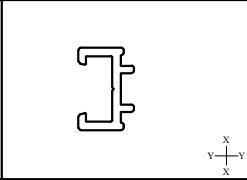
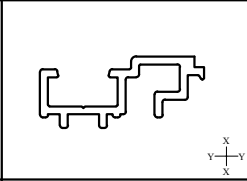
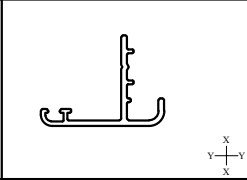
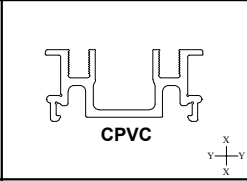
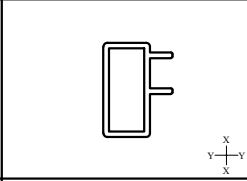
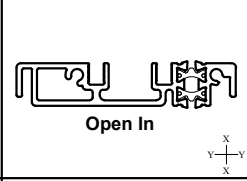
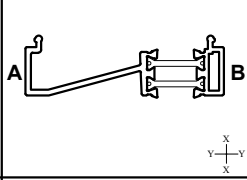
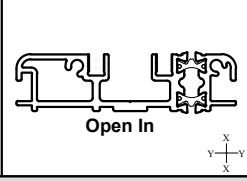
Door Type	Leaf Width (mm) - Maximum	Leaf Height (mm) - Maximum	Weight (kg) - Maximum	Area (M ²) - Maximum	Air Permeability classification	Water tightness classification	Resistance to Wind classification	Exposure category as given in Table 1 of BS 6375-1:2009
Size Limitations and Performance Characteristics (with DV32)								
Individual Leaf	1200	2500	-	-	1	2A	A2	800X
Size Limitations and Performance Characteristics (without DV32, fully rebated open-out)								
Individual Leaf	1200	2500	-	-	4	E750	A4	1800

Please refer to Kitemark Certificate for full details:
<https://previous.smartssystem.co.uk/documentlibrary>

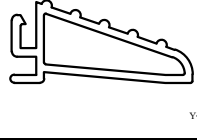
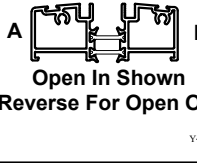
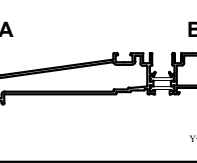
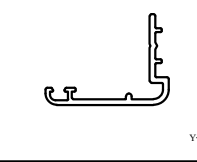
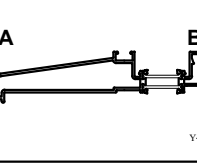
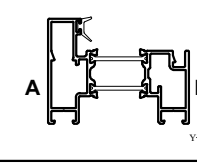
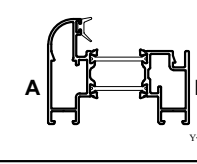
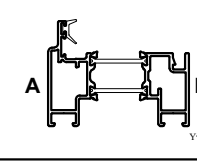
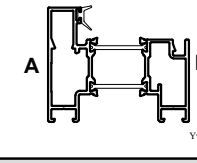
PROFILES : TECHNICAL INFORMATION

Number	Picture	Page	Perim. mm	Mec. mm	lx(cm4) wx(cm3)	ly(cm4) wy(cm3)	Length	Pack pr.	MF	SA	KL	HP	M	
DV14 DV14G	 Open In Shown Reverse for Open Out	A17	462	100	37.0 ----- 8.9	7.8 ----- 4.3	6.5	1	✓	✓	✓	✓	✓	
DV15 DV15G	 Open In Shown Reverse for Open Out	A18	475	88	38.1 ----- 8.9	7.4 ----- 3.9	6.5	1	✓	✓	✓	✓	✓	
DV17 DV17G	 Open In Shown Reverse for Open Out	A17	475	88	47.3 ----- 10.5	9.5 ----- 5.2	6.5	1	✓	✓	✓	✓	✓	
DV19 DV19G	 Open In Shown Reverse for Open Out	A18	475	88	46.6 ----- 7.91	9.9 ----- 4.2	6.5	1	✓	✓	✓	✓	✓	
DV32	 ----- 9.0 ----- 3.5	A22	370	82	33.2 ----- 9.0	6.2 ----- 3.5	6.5	1	✓	✓	✓	✓	✓	
DV38	 ----- 9.1 ----- 3.2	A22	371	37	33.7 ----- 9.1	5.1 ----- 3.2	6.5	1	✓	✓	✓	✓	✓	
DV50	 ----- 0.4 ----- 0.9	A33	-	-	0.4 ----- 0.4	1.3 ----- 0.9	6.5	1	✓					
DV56	 ----- ----- ----- -----	A30	125	45	- ----- -	- ----- -	6.5	1	✓	✓	✓	✓		
DV60	 PVC ----- ----- ----- -----	A35	43	-	- ----- -	- ----- -	6	1	✓					
									A = Outside B = Inside		MF = Mill Finish SA = Silver Anodised KL = Basic Colour HP = Special Colour M = Dual Colour			

PROFILES : TECHNICAL INFORMATION

Number	Picture	Page	Perim. mm	Mec. mm	Ix(cm4) wx(cm3)	Iy(cm4) wy(cm3)	Length	Pack pr.	MF	SA	KL	HP	M	
DV62		A34	59	-	- ----- -	- ----- -	4	1	✓					
DV73		A34	79.5	34	- ----- -	- ----- -	6.5	1	✓	✓	✓	✓		
DV75		A34	143	10	- ----- -	- ----- -	6.5	1	✓	✓	✓	✓		
DV76		A30	143	42	- ----- -	- ----- -	6.5	1	✓	✓	✓	✓		
DV100		A18	246	-	- ----- -	- ----- -	6.5	1	✓					
DV150		A33	-	-	- ----- -	- ----- -	6.5	1	✓					
DV171N		A24	372	117	24.1 ----- 6.2	1.1 ----- 1.3	6.5	1		✓				
DV172		A26	631	97	30.1 ----- 8.0	12.8 ----- 6.0	6.5	1	✓	✓	✓	✓	✓	
DV173N		A25	412	109	26.7 ----- 6.7	2.22 ----- 2.1	6.5	1		✓				
									A = Outside B = Inside		MF = Mill Finish SA = Silver Anodised KL = Basic Colour HP = Special Colour M = Dual Colour			

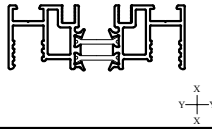
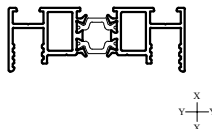
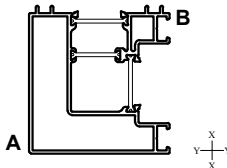
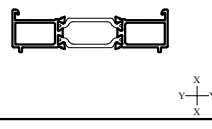
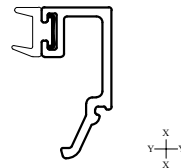
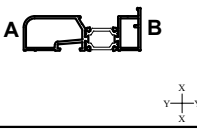
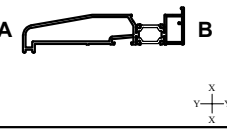
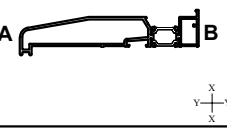
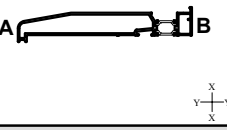
PROFILES : TECHNICAL INFORMATION

Number	Picture	Page	Perim. mm	Mec. mm	lx(cm4) wx(cm3)	ly(cm4) wy(cm3)	Length	Pack pr.	MF	SA	KL	HP	M	
DV174		A25	187	47	- ----- -	- ----- -	6.5	1		✓				
DV175	 Open In Shown Reverse For Open Out	A26	380	136	- ----- -	- ----- -	6.5	1	✓	✓	✓	✓	✓	
DV176		A27	658	226	314.1 ----- 31.3	15.8 ----- 7.2	6.5 + 7	1	✓	✓	✓	✓	✓	
DV177		A30	140	47	- ----- -	- ----- -	6.5	1	✓	✓	✓	✓		
DV178		A28	586	218	306.8 ----- 31.5	13.9 ----- 6.5	6.5 + 7	1	✓	✓	✓	✓	✓	
DV220 DV220G		A19	379	188	39.15 ----- 9.86	12 ----- 4.7	6.5	1	✓	✓	✓	✓	✓	
DV221 DV221G		A19	373	183	38.06 ----- 9.73	11.18 ----- 4.47	6.5	1	✓	✓	✓	✓	✓	
DV225 DV225G		A21	411	243	38.18 ----- 9.47	9.47 ----- 4.00	6.5	1	✓	✓	✓	✓	✓	
DV228 DV228G		A20	426.5	126	43.2 ----- 10.7	16.4 ----- 5.9	6.5	1	✓	✓	✓	✓	✓	
									A = Outside B = Inside		MF = Mill Finish SA = Silver Anodised KL = Basic Colour HP = Special Colour M = Dual Colour			

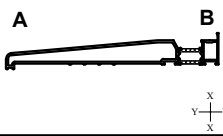
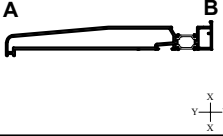

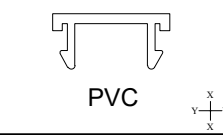
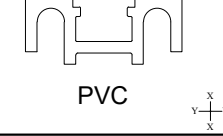
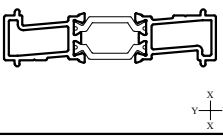
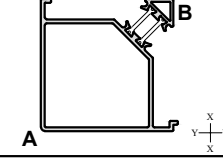
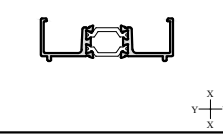
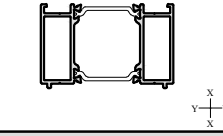
PROFILES : TECHNICAL INFORMATION

Number	Picture	Page	Perim. mm	Mec. mm	Ix(cm4) wx(cm3)	Iy(cm4) wy(cm3)	Length	Pack pr.	MF	SA	KL	HP	M	
DV229 DV229G		A20	421	121	42.1 ----- 10.6	15.3 ----- 5.6	6.5	1	✓	✓	✓	✓	✓	
DV230 DV230G		A23	386	94	34.1 ----- 7.7	10.7 ----- 3.8	6.5	1	✓	✓	✓	✓	✓	
DV235 DV235G		A23	460	211	72.9 ----- 17.6	98.5 ----- 18.1	6.5	1	✓	✓	✓	✓	✓	
DV236		A21	377	117	28.4 ----- 7.6	5.6 ----- 2.9	6.5	1	✓	✓	✓	✓	✓	
DV250		A33	-	-	- ----- -	- ----- -	6.5	1	✓					
DV271N		A29	382	117	25.2 ----- 6.5	1.10 ----- 1.3	6.5	1		✓				
DV273N		A29	436	109	28.3 ----- 7.1	2.3 ----- 2.8	6.5	1		✓				
DV516		A36	356	85	40.39 ----- 9.85	10.65 ----- 5.00	6.5	1	✓	✓	✓	✓	✓	
DV551		A41	106	18	0.31 ----- 0.28	0.60 ----- 0.60	6.5	1	✓	✓	✓	✓		
									A = Outside B = Inside		MF = Mill Finish SA = Silver Anodised KL = Basic Colour HP = Special Colour M = Dual Colour			

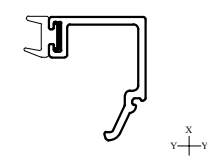
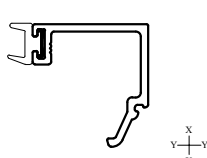
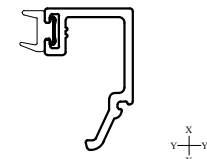
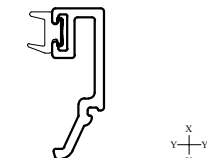
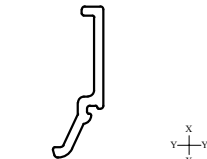
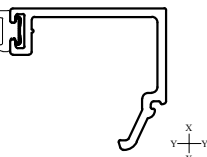
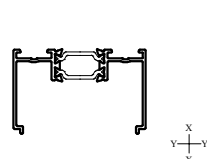
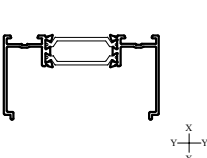
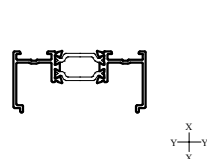
PROFILES : TECHNICAL INFORMATION

Number	Picture	Page	Perim. mm	Mec. mm	lx(cm4) wx(cm3)	ly(cm4) wy(cm3)	Length	Pack pr.	MF	SA	KL	HP	M	
DV552		A41	316	114	25.81 ----- 6.92	2.94 ----- 1.92	6.5	1	✓	✓	✓	✓	✓	
DV553		A41	393	48	24.85 ----- 6.66	2.33 ----- 2.14	6.5	1	✓	✓	✓	✓	✓	
DV555		A40	544	150	46.95 ----- 12.23	56.06 ----- 14.46	6.5	1	✓	✓	✓	✓	✓	
DV650		A40	305	41	21.77 ----- 5.31	0.97 ----- 0.96	6.5	1	✓	✓	✓	✓	✓	
ETC4179 ETC4179G		A32	104	29	- --- -	- --- -	6.5	1	✓	✓	✓	✓		
ETC451		A44	304	109	32.44 ----- 7.29	3.46 ----- 2.79	6.5	1	✓	✓	✓	✓	✓	
ETC452		A44	414	197	122.46 ----- 18.03	6.01 ----- 3.34	6.5	1	✓	✓	✓	✓	✓	
ETC457		A44	444	212	163.27 ----- 21.60	6.79 ----- 3.73	6.5	1	✓	✓	✓	✓	✓	
ETC458		A45	524	252	313.62 ----- 32.63	8.87 ----- 4.79	6.5	1	✓	✓	✓	✓	✓	
									A = Outside B = Inside		MF = Mill Finish SA = Silver Anodised KL = Basic Colour HP = Special Colour M = Dual Colour			

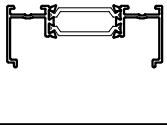
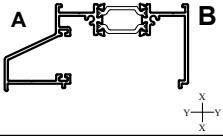
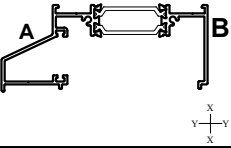



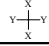
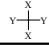
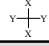
PROFILES : TECHNICAL INFORMATION

Number	Picture	Page	Perim. mm	Mec. mm	Ix(cm4) wx(cm3)	Iy(cm4) wy(cm3)	Length	Pack pr.	MF	SA	KL	HP	M	
ETC477		A46	752	408	1591.6 ----- 105.33	26.84 ----- 12.84	6.5	1	✓	✓	✓	✓	✓	
ETC479		A45	594	287	501.64 ----- 44.04	9.72 ----- 5.34	6.5	1	✓	✓	✓	✓	✓	
EUD03		A24	113	39	- ----- -	- ----- -	4	1	✓	✓				
PCX15	 PVC	A35	63	-	- ----- -	- ----- -	4	1	✓					
PCX38	 PVC	A35	190	-	- ----- -	- ----- -	3	1	✓					
UN3000		A43	200	52	15.8 ----- 4.51	0.79 ----- 0.84	6.5	1	✓	✓	✓	✓	✓	
UN3010		A43	369	226	41.4 ----- 10.7	40 ----- 11.6	6.5	1	✓	✓	✓	✓	✓	
UN3020		A40	282	70	14.8 ----- 4.2	0.9 ----- 1	6.5	1	✓	✓	✓	✓	✓	
UN3042		A36	288	111	31.2 ----- 8.9	9.5 ----- 4.3	6.5	1	✓	✓	✓	✓	✓	
									A = Outside B = Inside		MF = Mill Finish SA = Silver Anodised KL = Basic Colour HP = Special Colour M = Dual Colour			

PROFILES : TECHNICAL INFORMATION

Number	Picture	Page	Perim. mm	Mec. mm	lx(cm4) wx(cm3)	ly(cm4) wy(cm3)	Length	Pack pr.	MF	SA	KL	HP	M	
UN3160 UN3160G		A31	120	39	- ---	- ---	6.5	1	✓	✓	✓	✓		
UN3162N UN3162NG		A31	105	41	- ---	- ---	6.5	1	✓	✓	✓	✓		
UN3164 UN3164G		A31	112	33	- ---	- ---	6.5	1	✓	✓	✓	✓		
UN3166 UN3166G		A32	99.5	30.6	- ---	- ---	6.5	1	✓	✓	✓	✓		
UN3168		A32	65	21	- ---	- ---	6.5	1	✓	✓	✓	✓		
UN3171 UN3171G		A21	136	45	- ---	- ---	6.5	1	✓	✓	✓	✓		
UN3270		A37	408	85	22.62 ----- 6.46	5.17 ----- 3.56	6.5	1	✓	✓	✓	✓	✓	
UN3282		A37	408	85	33.26 ----- 8.11	5.17 ----- 3.56	6.5	1	✓	✓	✓	✓	✓	
UN3370		A38	360	61	18.4 ----- 5.26	2.15 ----- 1.97	6.5	1	✓	✓	✓	✓	✓	
									A = Outside B = Inside		MF = Mill Finish SA = Silver Anodised KL = Basic Colour HP = Special Colour M = Dual Colour			

PROFILES : TECHNICAL INFORMATION

Number	Picture	Page	Perim. mm	Mec. mm	Ix(cm4) wx(cm3)	Iy(cm4) wy(cm3)	Length	Pack pr.	MF	SA	KL	HP	M	
UN3382		A38	360	61	27.43 ----- 6.69	2.15 ----- 1.97	6.5	1	✓	✓	✓	✓	✓	
UN3570		A39	545	140	47.5 ----- 9.5	9.3 ----- 4.9	6.5	1	✓	✓	✓	✓	✓	
UN3582		A39	545	140	64.3 ----- 11.7	9.2 ----- 4.8	6.5	1	✓	✓	✓	✓	✓	
VG52	 PVC	A42	25	-	- ----- -	- ----- -	7	1	✓					
VG53	 STAINLESS STEEL	A42	53	-	- ----- -	- ----- -	6.5	1	✓					
VL72		A42	101	53	- ----- -	- ----- -	6.5	1	✓	✓	✓	✓		
														
														
														
									A = Outside B = Inside		MF = Mill Finish SA = Silver Anodised KL = Basic Colour HP = Special Colour M = Dual Colour			

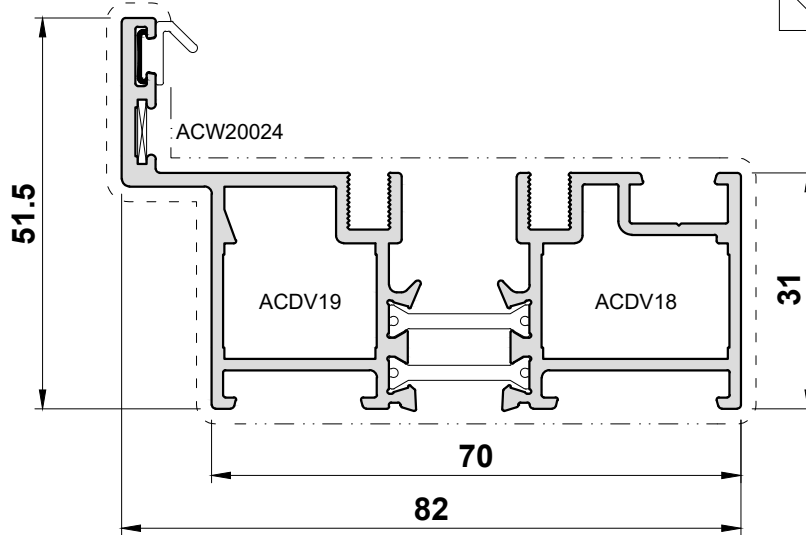
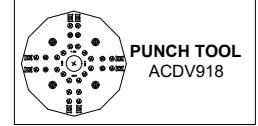
Primary Visible Side

Secondary Visible Side

DV14G

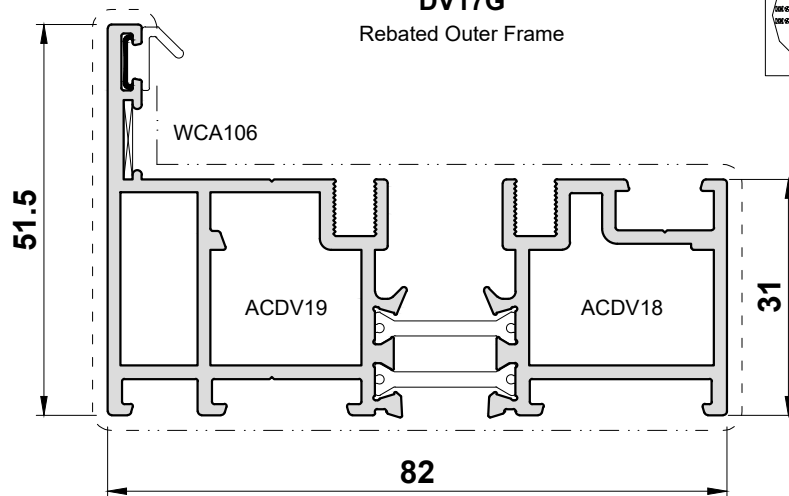
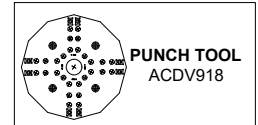
Standard Rebated Outer Frame

not compatible with DV176



DV17G

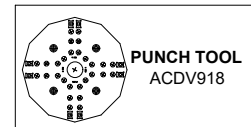
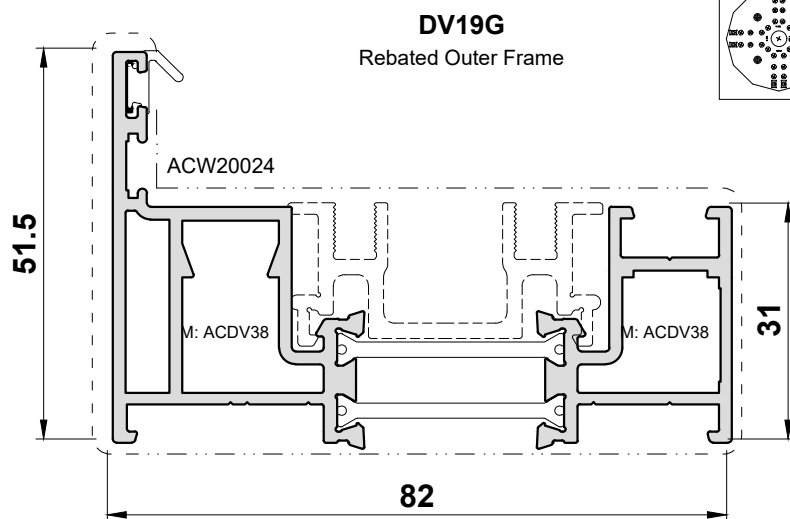
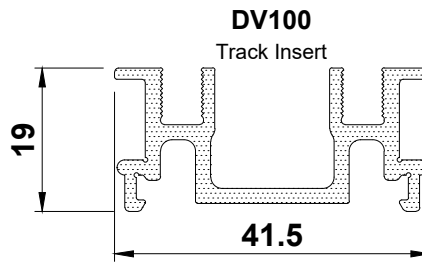
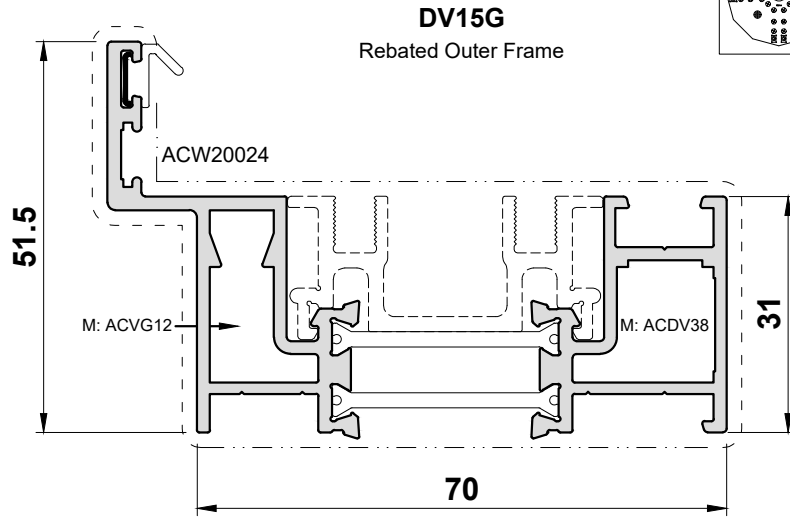
Rebated Outer Frame



Scale 1:1

Primary Visible Side

Secondary Visible Side



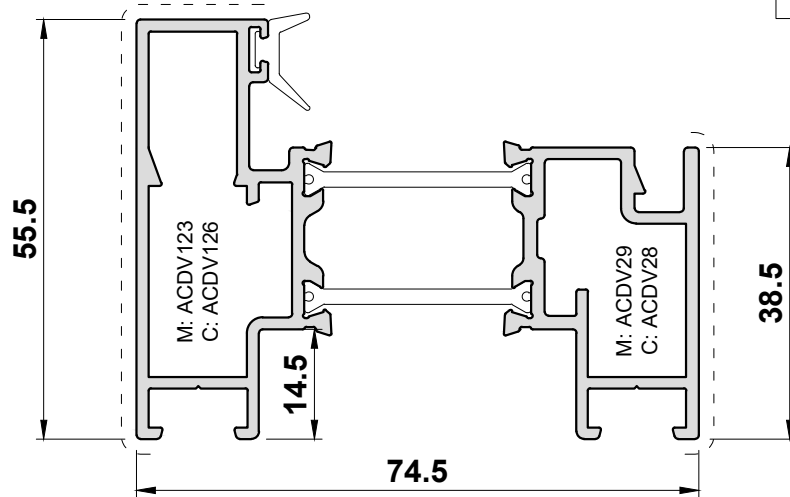
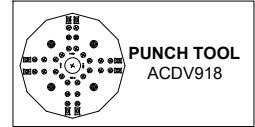
Scale 1:1

Primary Visible Side

Secondary Visible Side

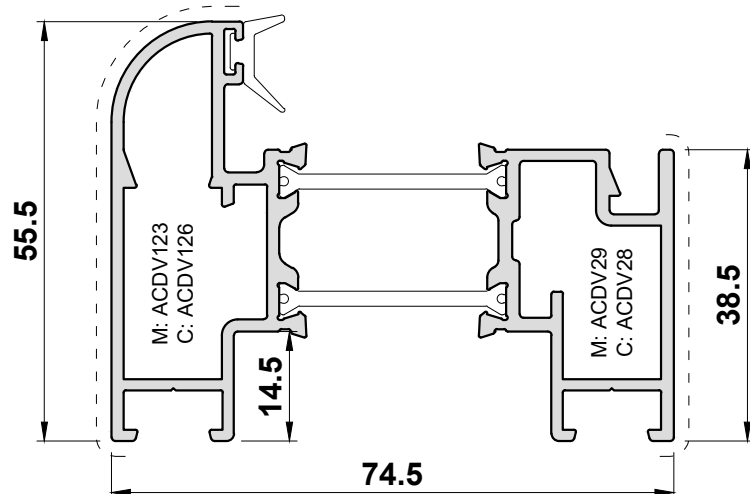
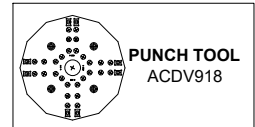
DV220G

Slim Square Co-Extruded Sash
Tap In Bead



DV221

Curved Square Co-Extruded Sash
Tap In Bead



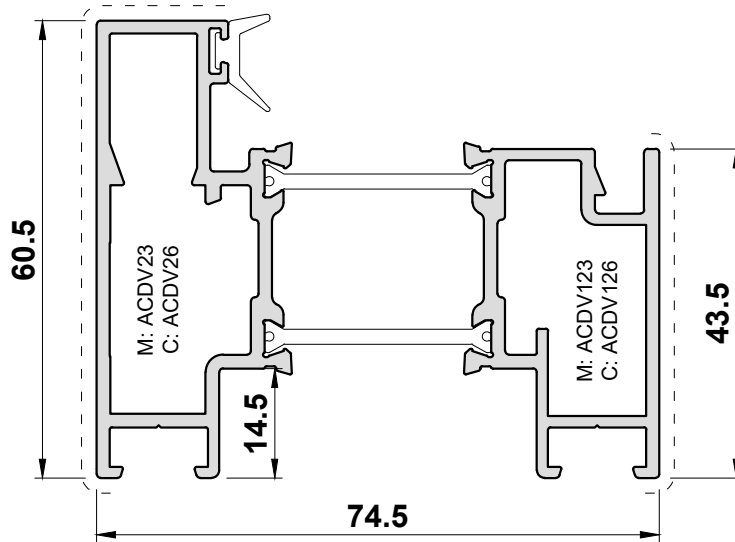
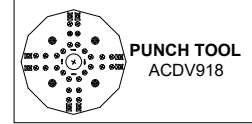
Scale 1:1

Primary Visible Side

Secondary Visible Side

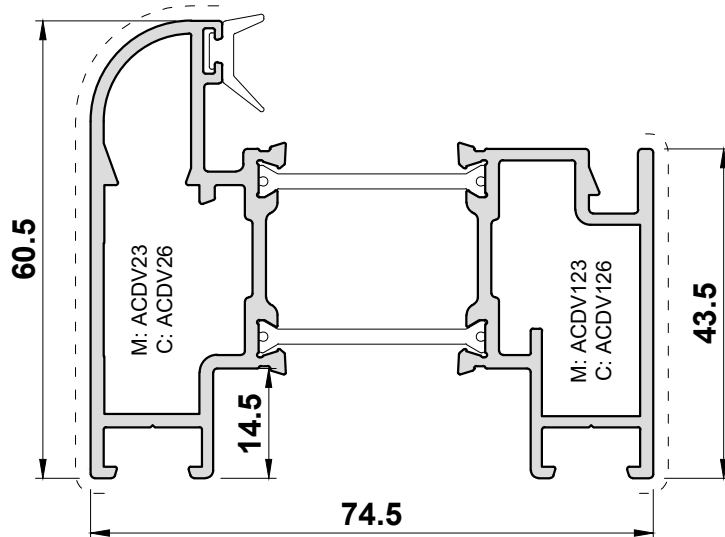
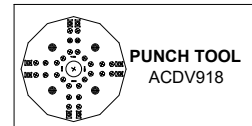
DV228G

Square Co-Extruded Sash
With Tap In Bead



DV229G

Curved Co-Extruded Sash
With Tap In Bead

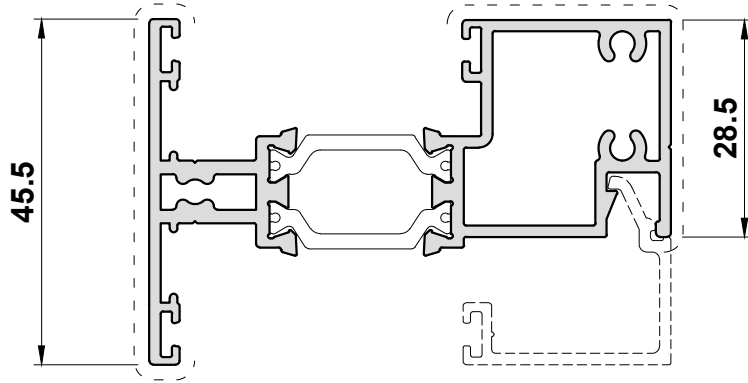


Scale 1:1

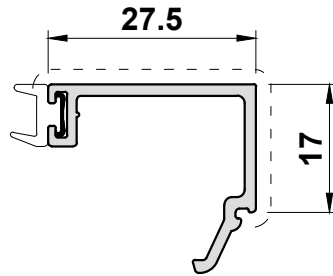
Primary Visible Side

Secondary Visible Side

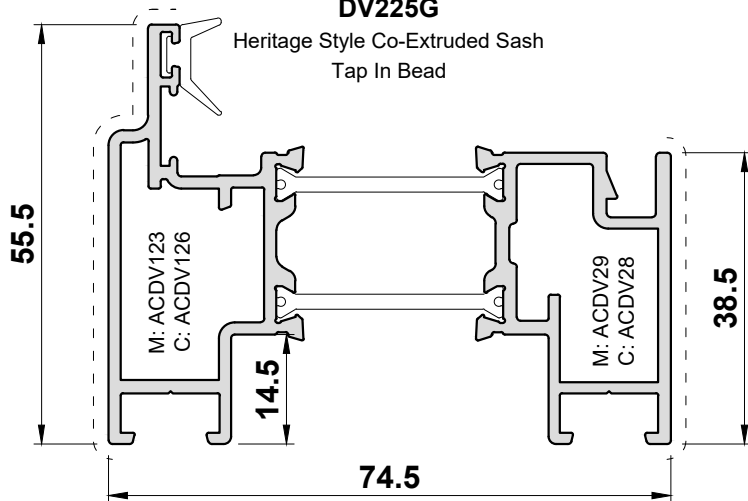
DV236
DV225 Transom
Tap In Bead
(Not Available Pre-Gasketed)



UN3171G
28mm Glazing Bead -
DV225 & DV236



DV225G
Heritage Style Co-Extruded Sash
Tap In Bead

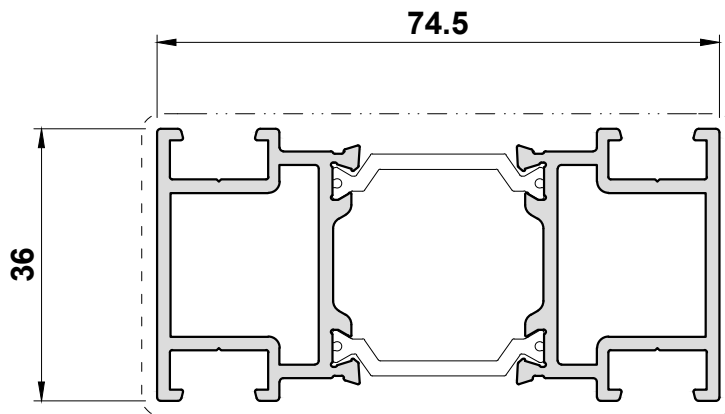


Scale 1:1

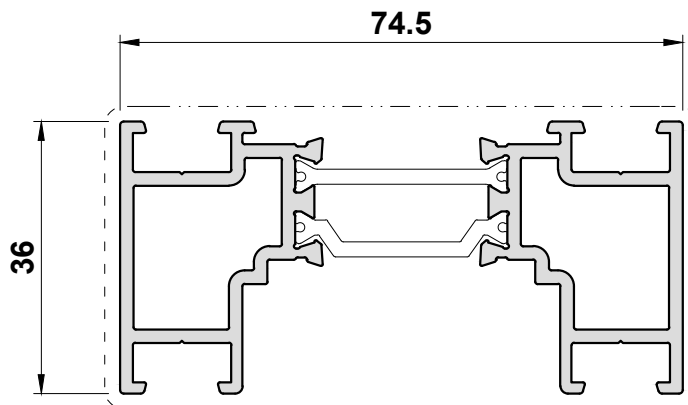
Primary Visible Side

Secondary Visible Side

DV32
Floating Mullion



DV38
Floating Mullion for Keep



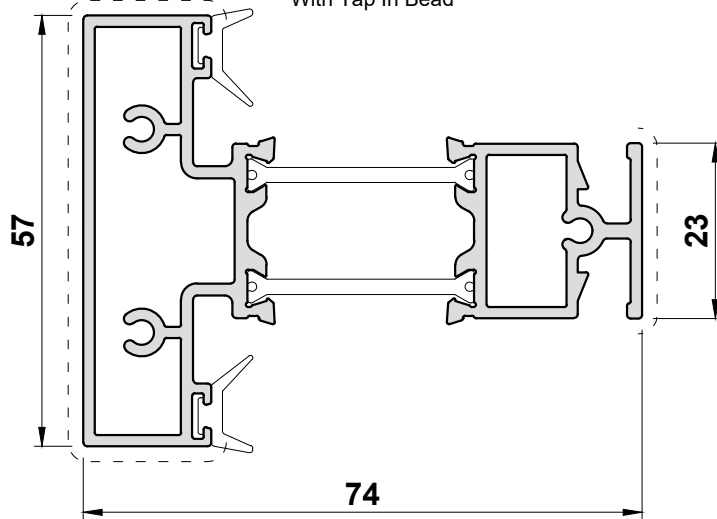
Scale 1:1

Primary Visible Side

Secondary Visible Side

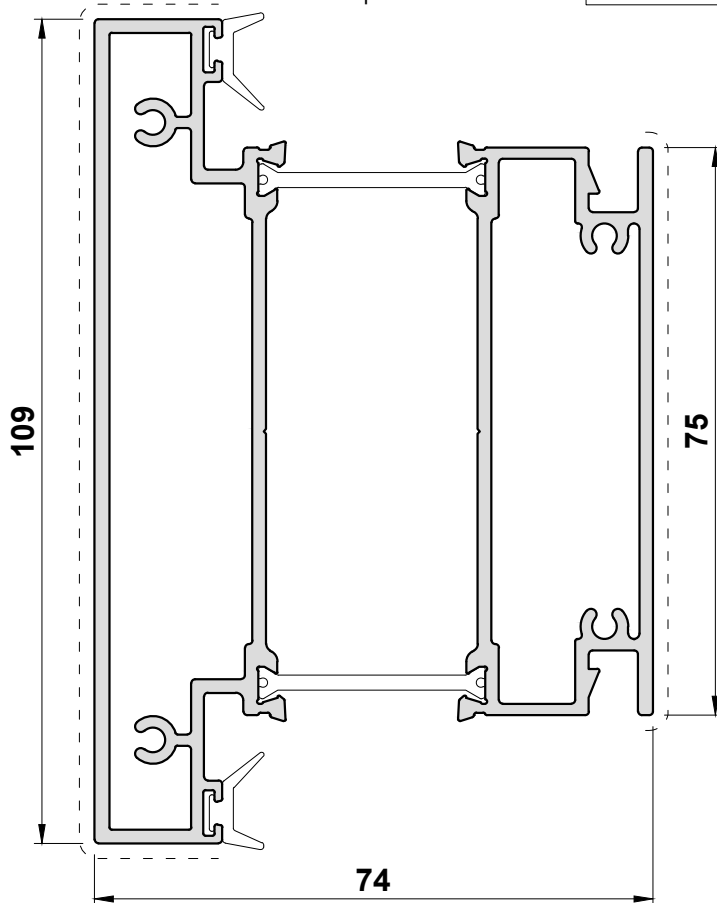
DV230G

Square Co-Extruded Slim Midrail
With Tap In Bead



DV235G

Square Co-Extruded Midrail
With Tap In Bead



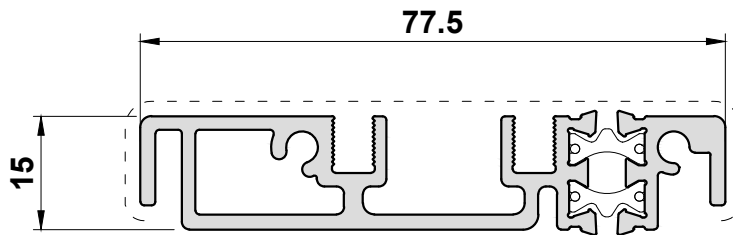
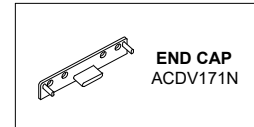
Scale 1:1

Primary Visible Side

Secondary Visible Side

DV171N

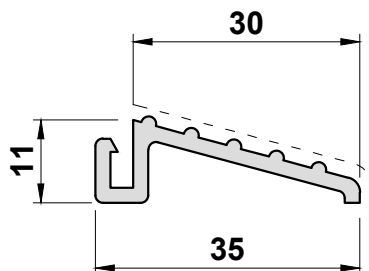
Low Threshold
Open In Only



DV171N is non rebated. Where enhanced weather performance is required, please consider using rebated thresholds.

EUD03

Threshold Ramp for
DV171N & DV271N



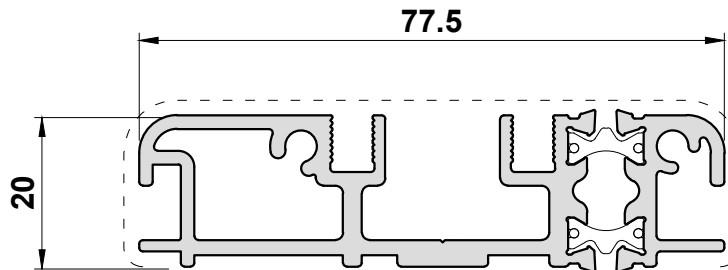
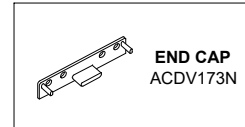
Scale 1:1

Primary Visible Side

Secondary Visible Side

DV173

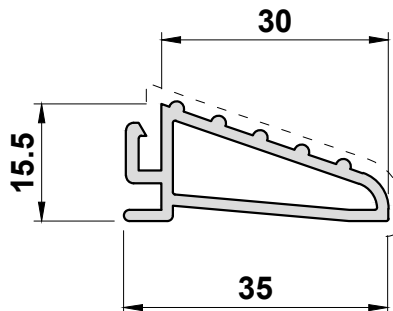
Low Threshold
Open In Only



DV173N is non rebated. Where enhanced weather performance is required, please consider using rebated thresholds.

DV174

Threshold Ramp for
DV173N & DV273N

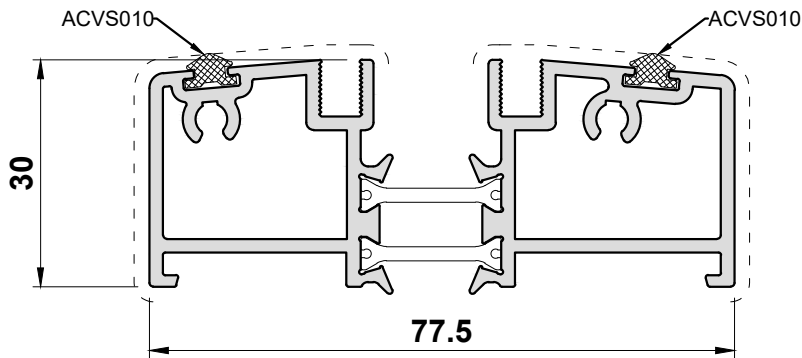


Scale 1:1

Primary Visible Side

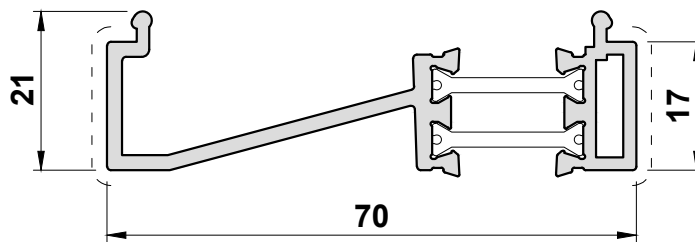
Secondary Visible Side

DV175
Low Threshold



DV175 IS NON REBATED. WHERE ENHANCED WEATHER PERFORMANCE IS REQUIRED, PLEASE CONSIDER USING REBATED THRESHOLDS.

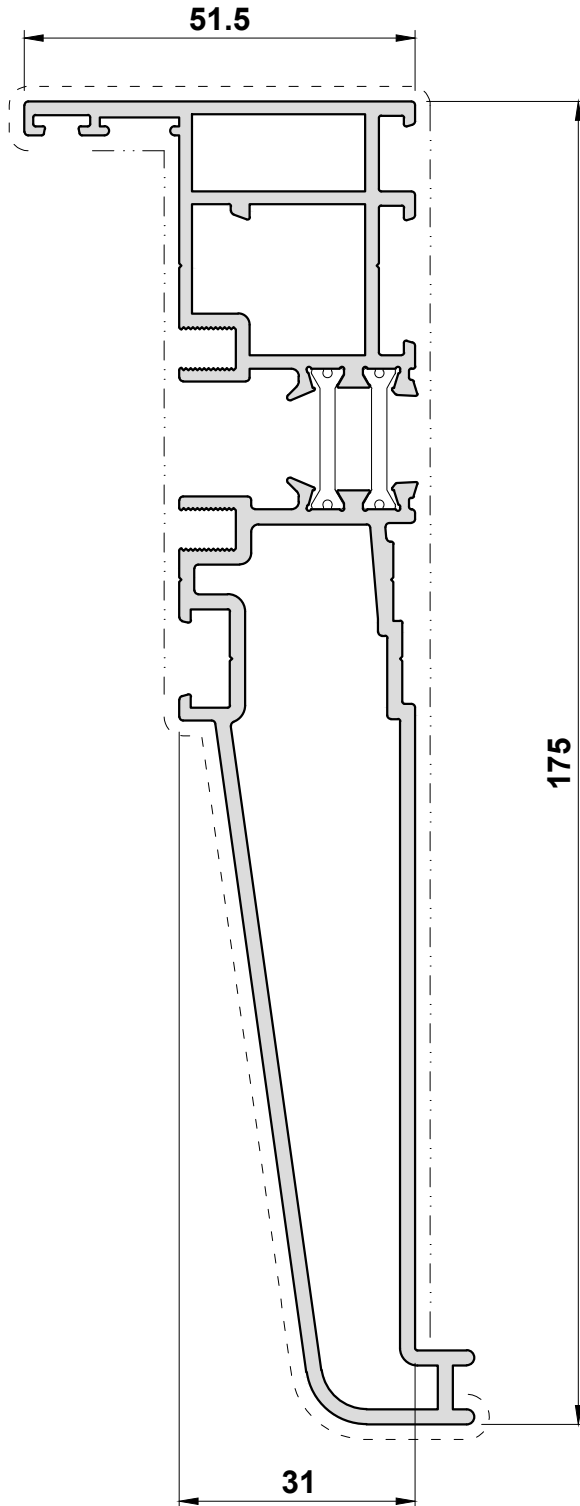
DV172
Flush Drainage Cill



Scale 1:1

Primary Visible Side

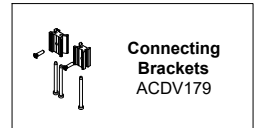
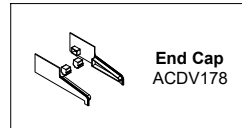
Secondary Visible Side



DV176

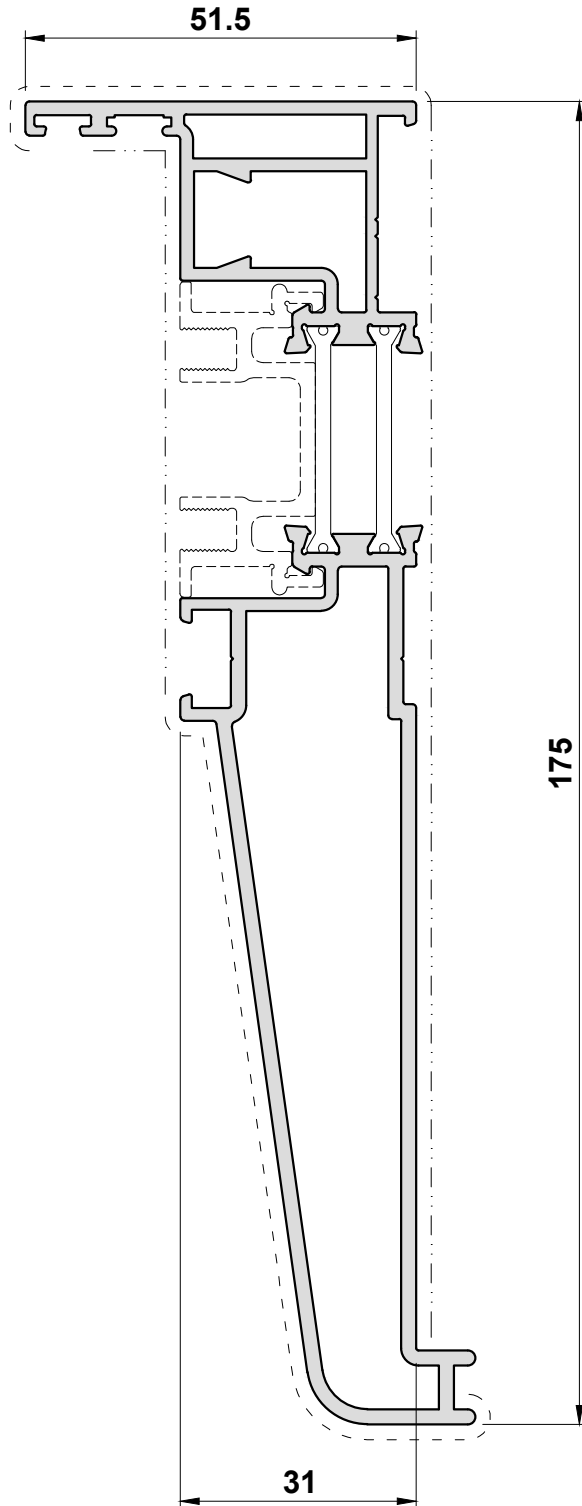
Cill Threshold
Open Out Only

Compatible with DV17



Primary Visible Side

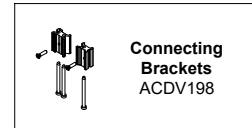
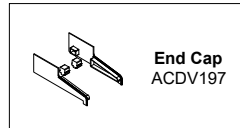
Secondary Visible Side



DV178

Cill Threshold
Open Out Only

Compatible with DV19

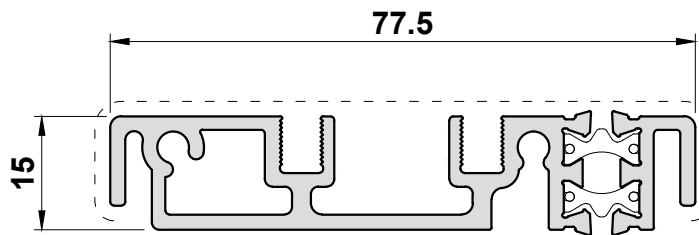
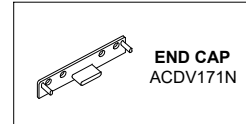


Primary Visible Side

Secondary Visible Side

DV271N

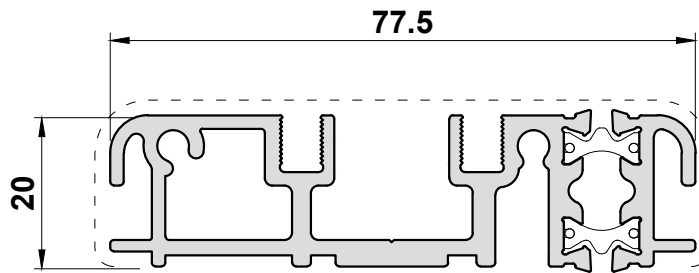
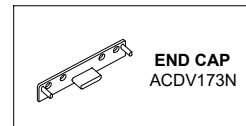
Low Threshold
Open Out Only



DV271N is non rebated. Where enhanced weather performance is required, please consider using rebated thresholds.

DV273N

Low Threshold
Open Out Only



DV273N is non rebated. Where enhanced weather performance is required, please consider using rebated thresholds.

Scale 1:1

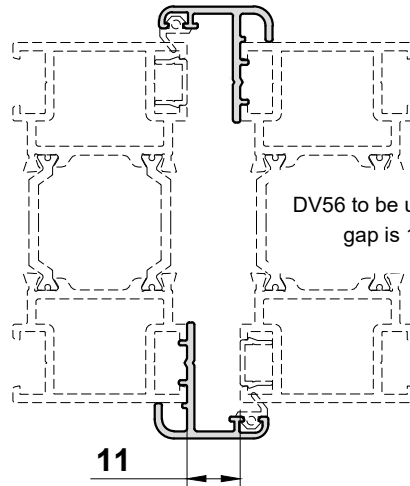
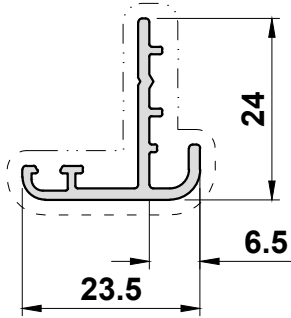
Primary Visible Side

Secondary Visible Side

DV56

Rebate

End Cap = ACDV56

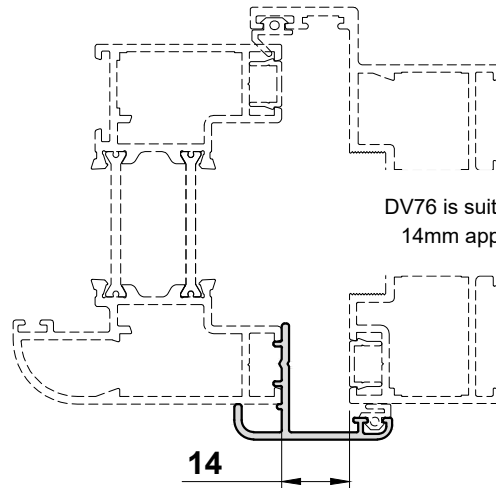
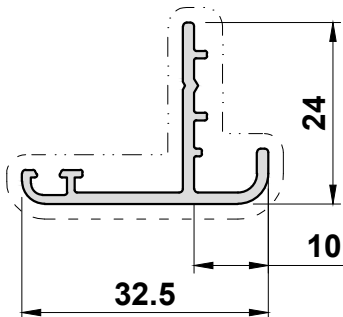


DV56 to be used where gap is 11mm

DV76

Rebate

End Cap = ACDV76

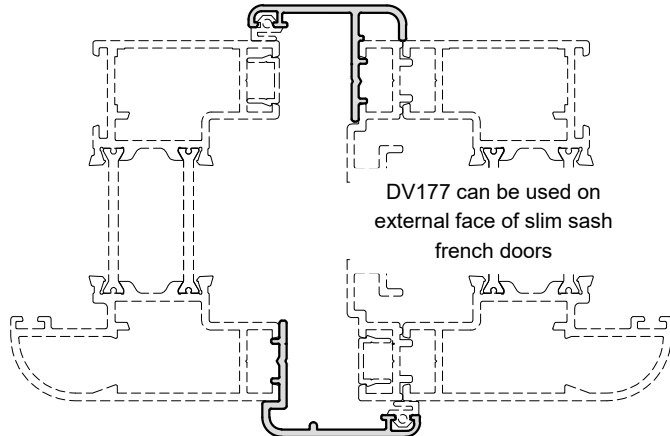
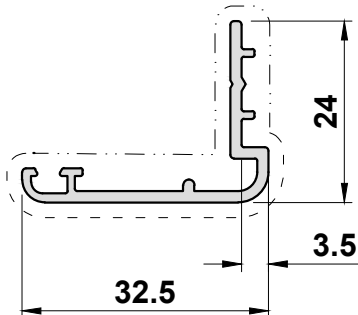


DV76 is suitable for all 14mm applications

DV177

Rebate

End Cap = ACDV177

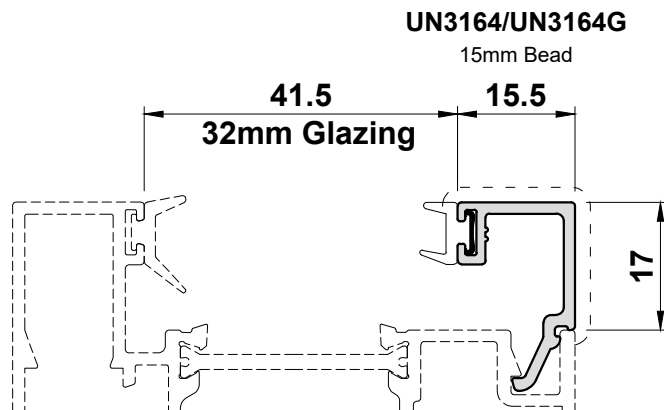
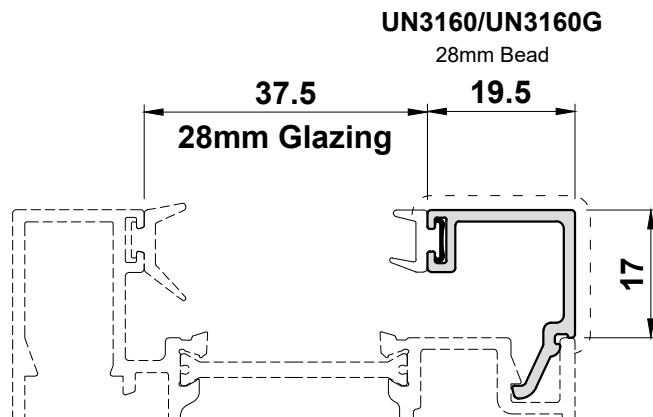
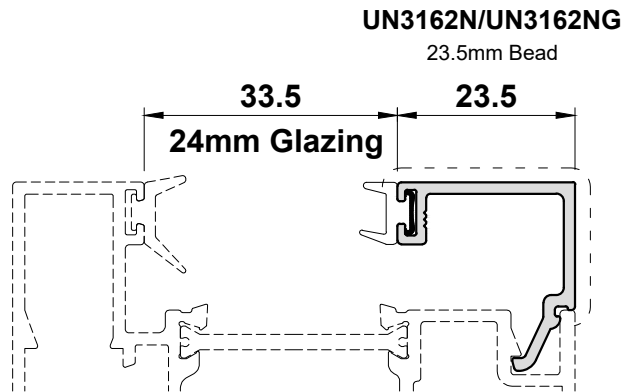
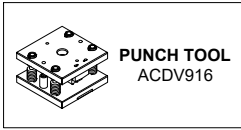


DV177 can be used on external face of slim sash french doors

Scale 1:1

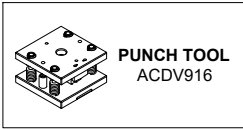
Primary Visible Side

Secondary Visible Side



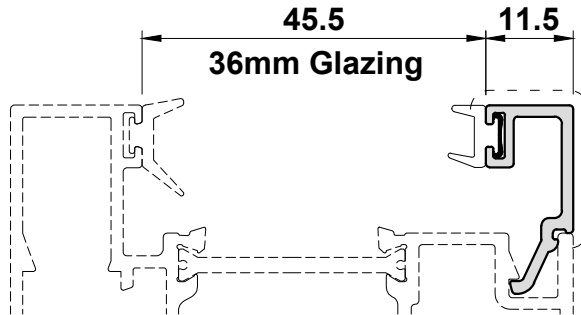
Primary Visible Side

Secondary Visible Side



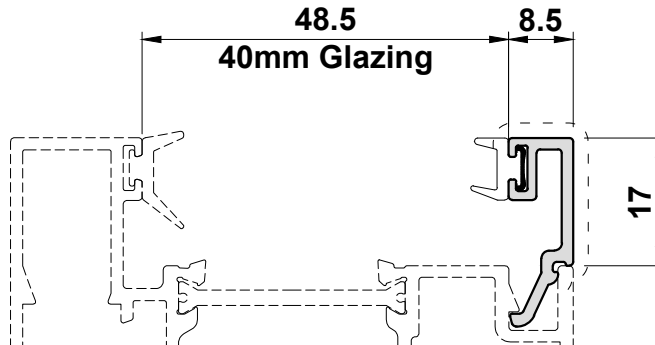
ETC4179/ETC4179G

11.5mm Bead



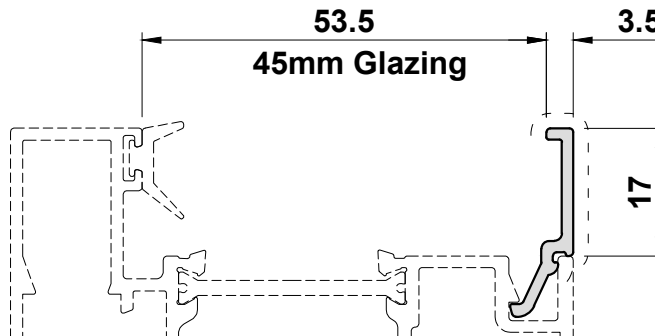
UN3166/UN3166G

8.5mm Bead



UN3168

3.5mm Bead

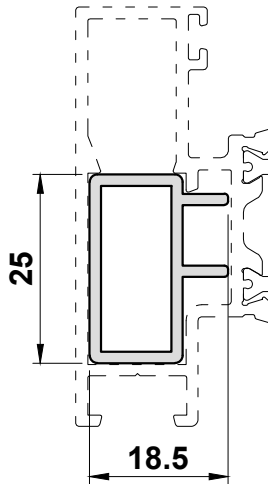


Primary Visible Side

Secondary Visible Side

DV150
Sash Reinforcement

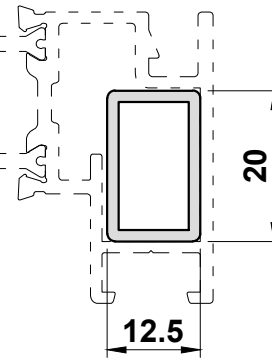
Compatible with:
DV220 & DV221
DV228 & DV229



DV220/DV221

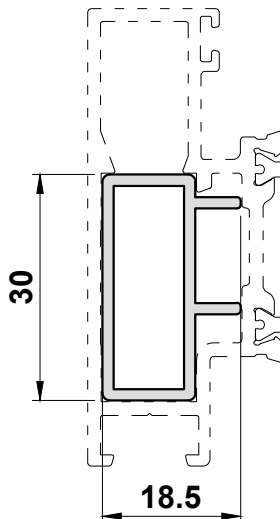
DV250
Slim Tap in Bead Sash Internal Reinforcer

Compatible with:
DV220 & DV221



DV50
Sash Reinforcement

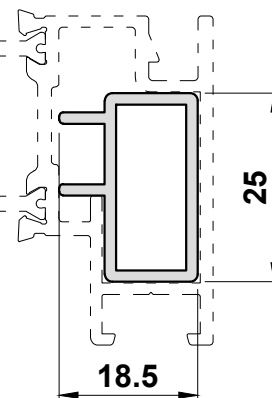
Compatible with:
DV228 & DV229



DV228/DV229

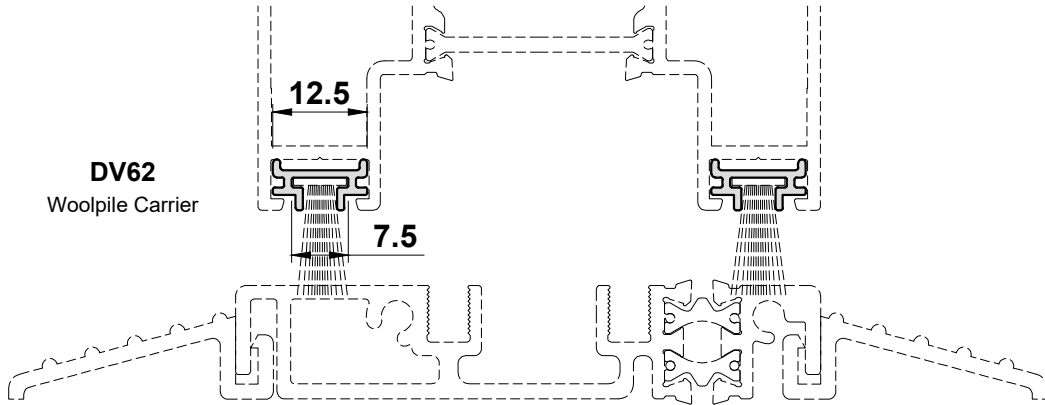
DV150
Sash Reinforcement

Compatible with:
DV220 & DV221
DV228 & DV229



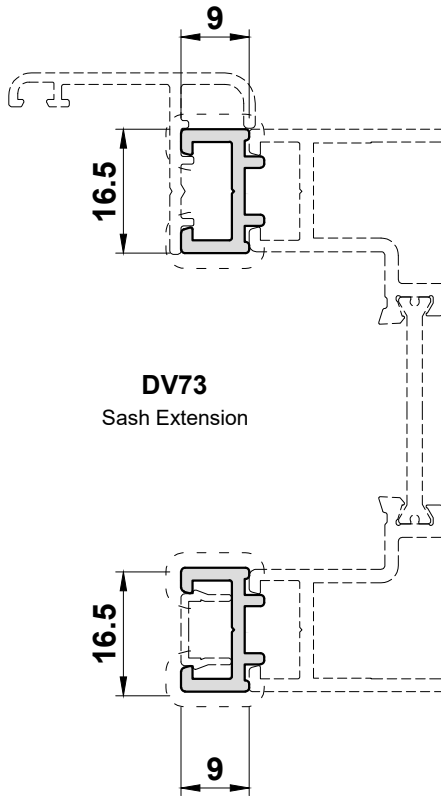
Primary Visible Side

Secondary Visible Side

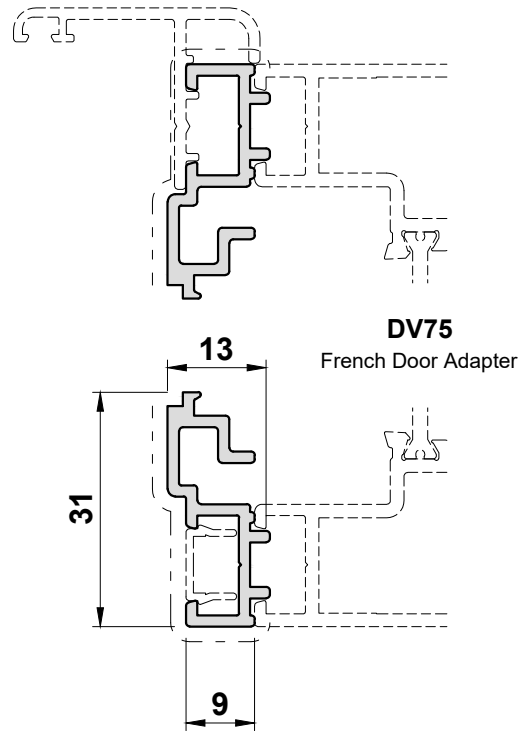


DV62
Woolpile Carrier

DV62 should be used on the bottom rail of the sash where low threshold is selected



DV73
Sash Extension

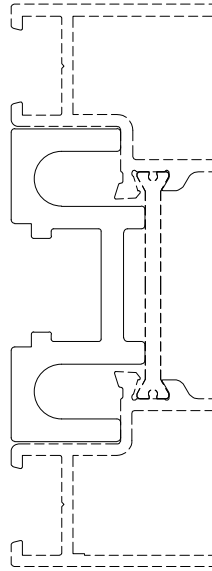


DV75
French Door Adapter

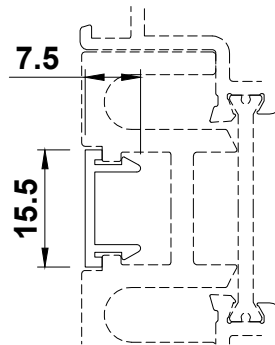
Primary Visible Side

Secondary Visible Side

PCX38
Narrow Lock Packer
Black Only
PVC

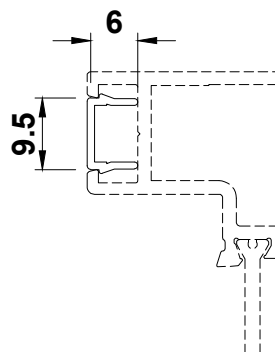


PCX15
Infill Strip
Black & White
PVC



PCX15 is used in
PCX36 & PCX38

DV60
Infill Strip
Black Only
PVC



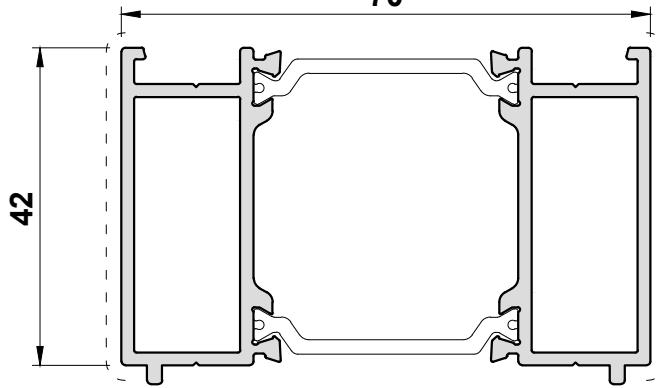
Primary Visible Side

Secondary Visible Side

UN3042

DV14 & DV15 Head Extension

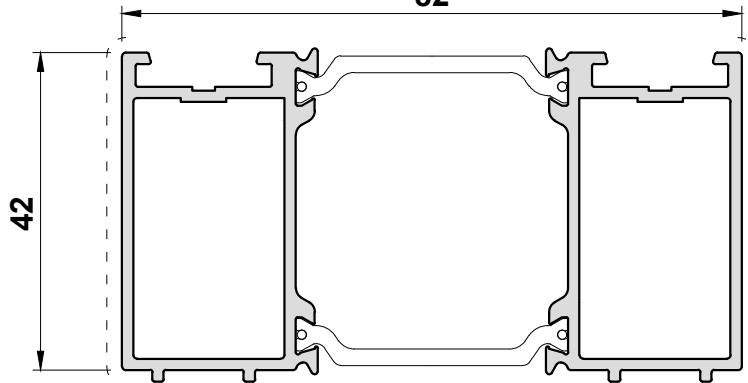
70



DV516

DV17 & DV19 Frame Extension

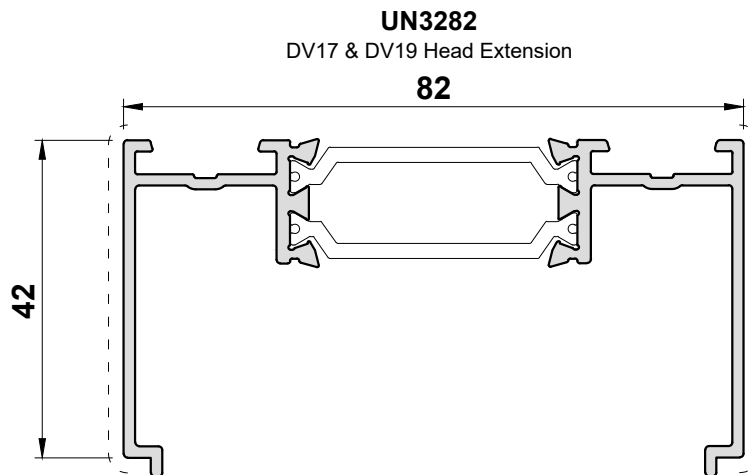
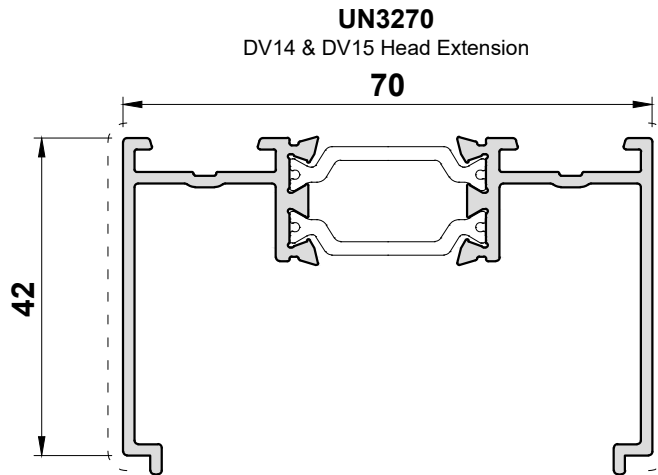
82



Scale 1:1

Primary Visible Side

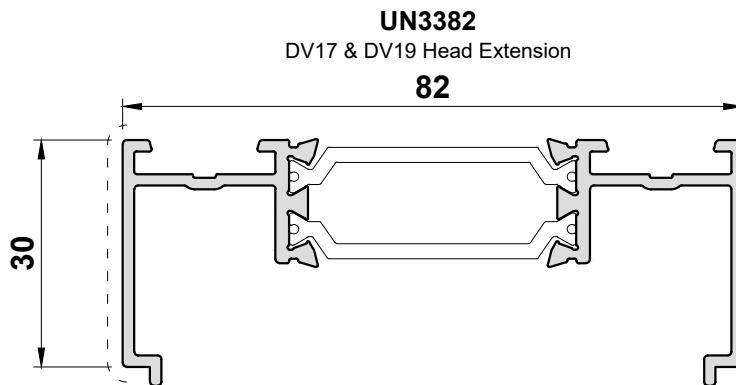
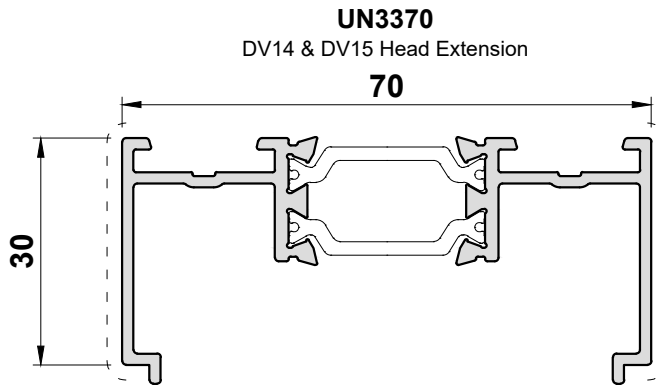
Secondary Visible Side



Scale 1:1

Primary Visible Side

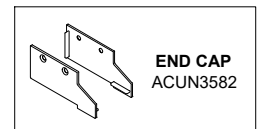
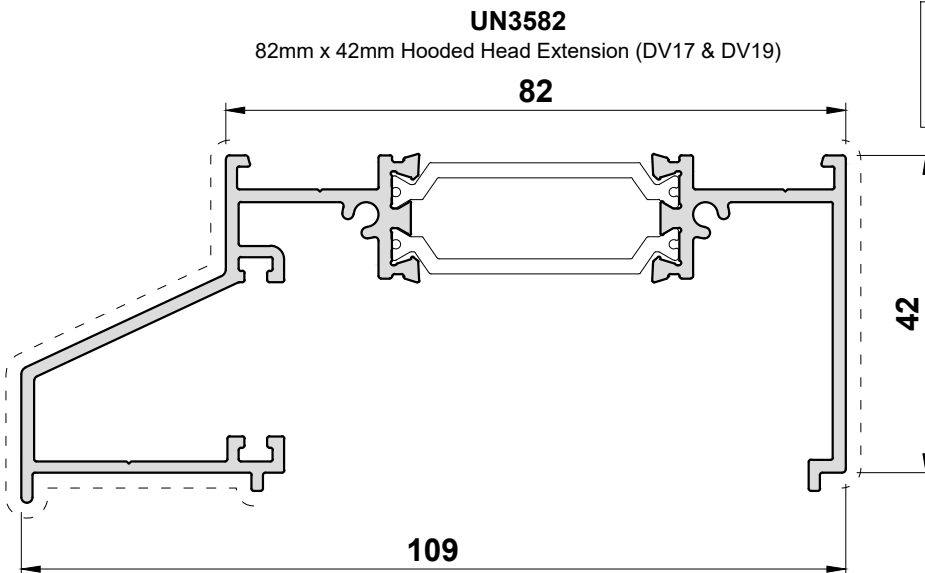
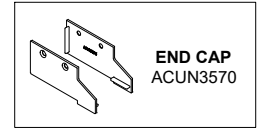
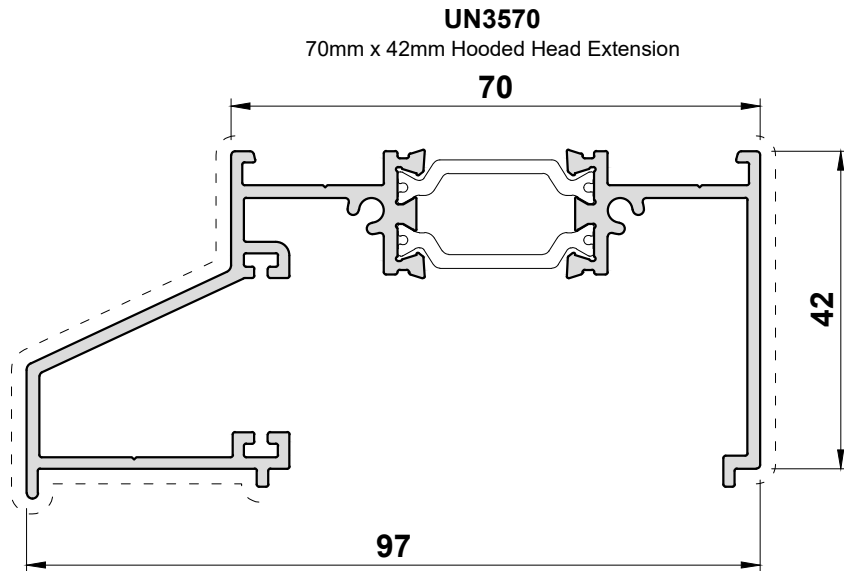
Secondary Visible Side



Scale 1:1

Primary Visible Side

Secondary Visible Side



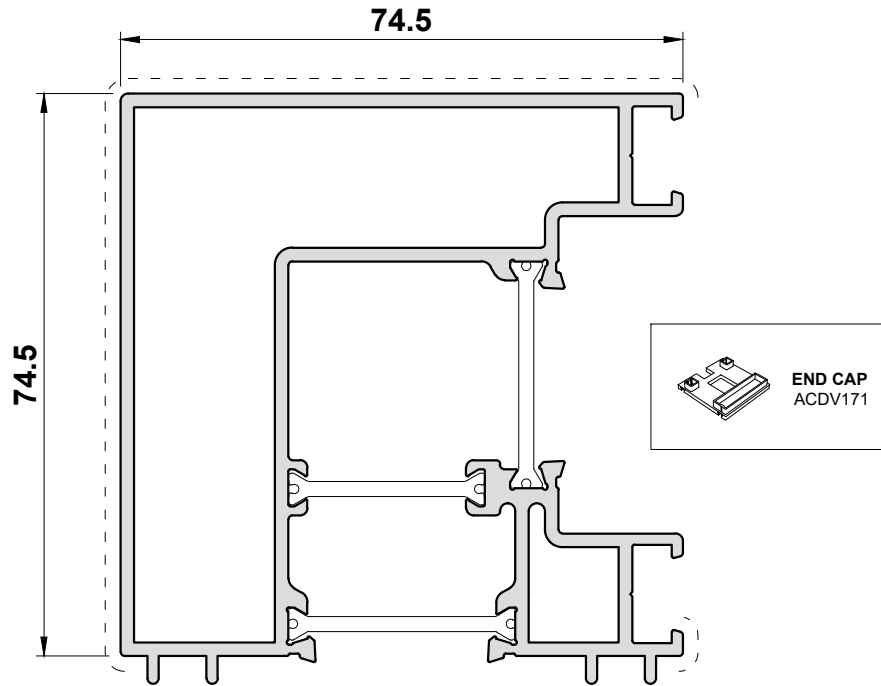
Scale 1:1

Primary Visible Side

Secondary Visible Side

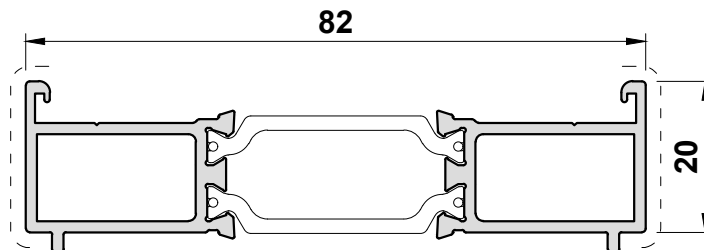
DV555

Floating Corner Post



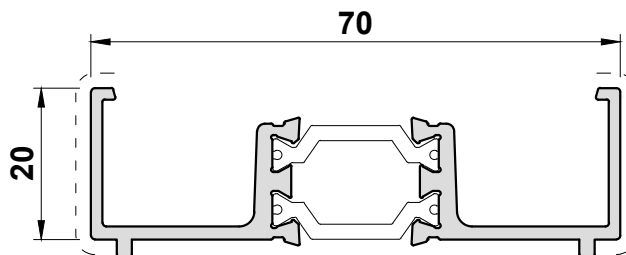
DV650

DV17 & DV19 Head Extension



UN3020

DV14 & DV15 Frame Extension



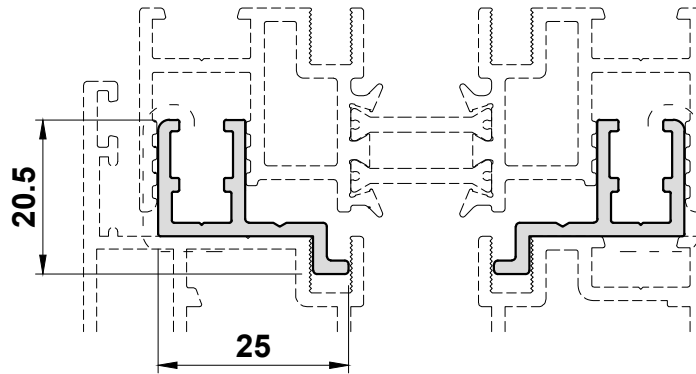
Scale 1:1

Primary Visible Side

Secondary Visible Side

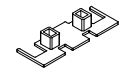
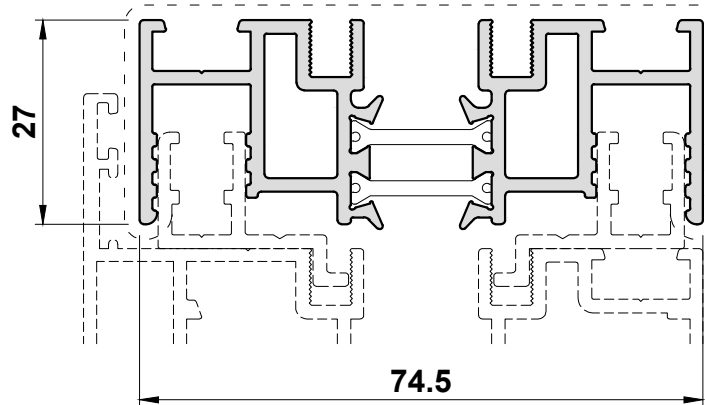
DV551

Adjustable Jamb Locator



DV552

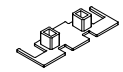
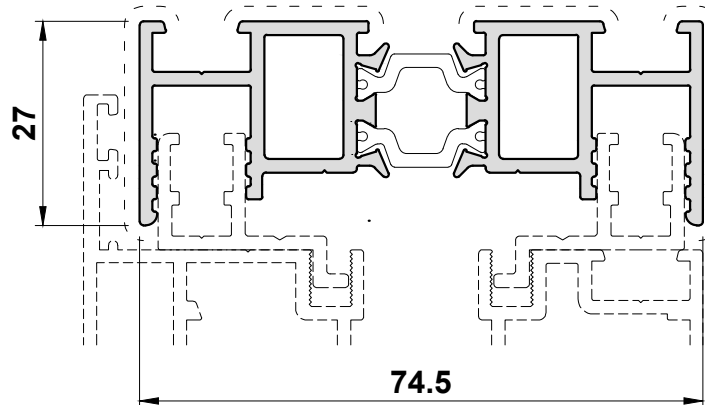
Adjustable Locator



END CAP
ACDV553

DV553

Adjustable Locator



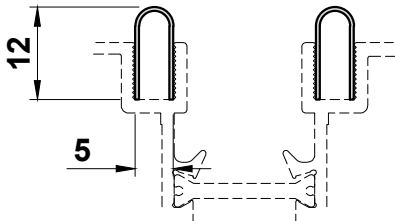
END CAP
ACDV557

Scale 1:1

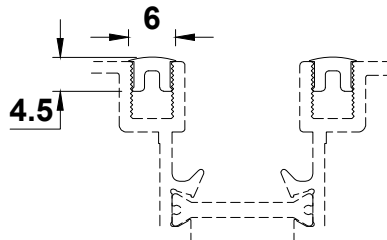
Primary Visible Side

Secondary Visible Side

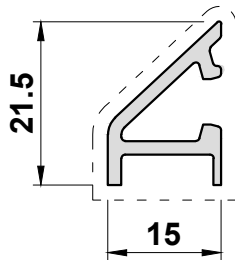
VG53
Track
Stainless Steel



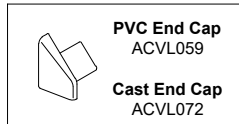
VG52
Track Infill Strip
PVC



VL72
Weather Drip



Fixed with
ACVL061



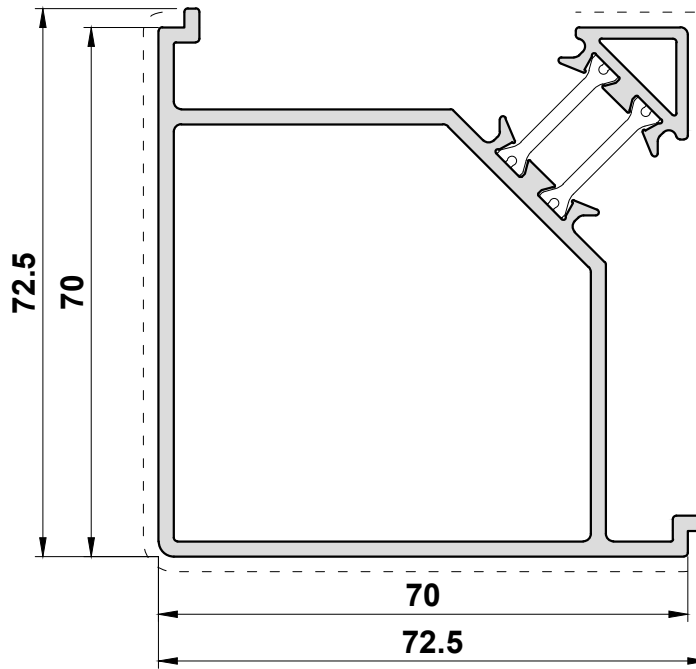
PVC End Cap
ACVL059

Cast End Cap
ACVL072

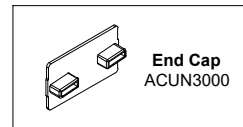
Primary Visible Side

Secondary Visible Side

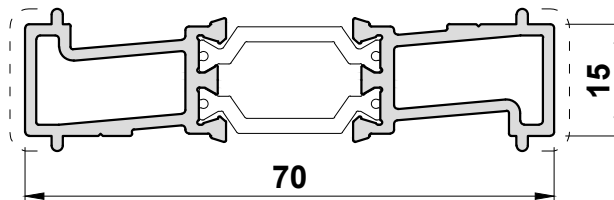
UN3010
70mm Corner Post



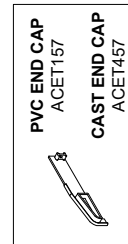
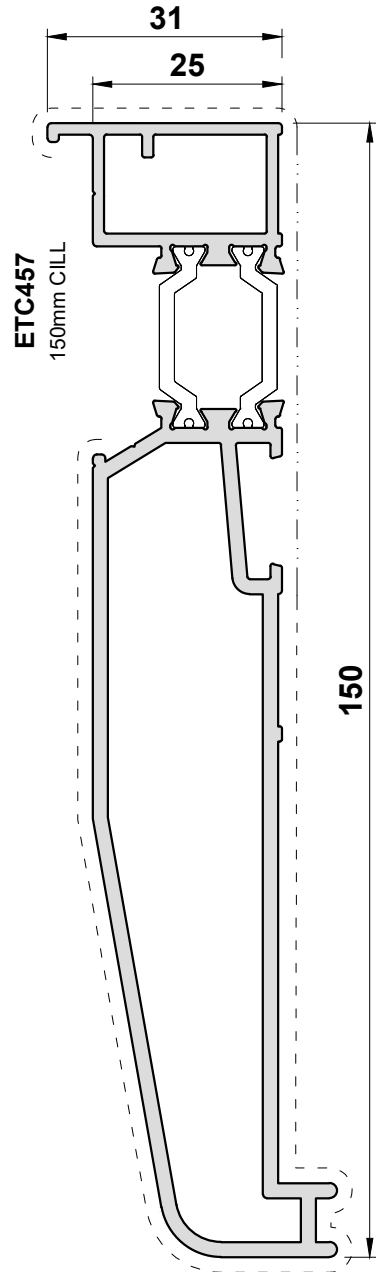
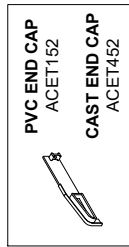
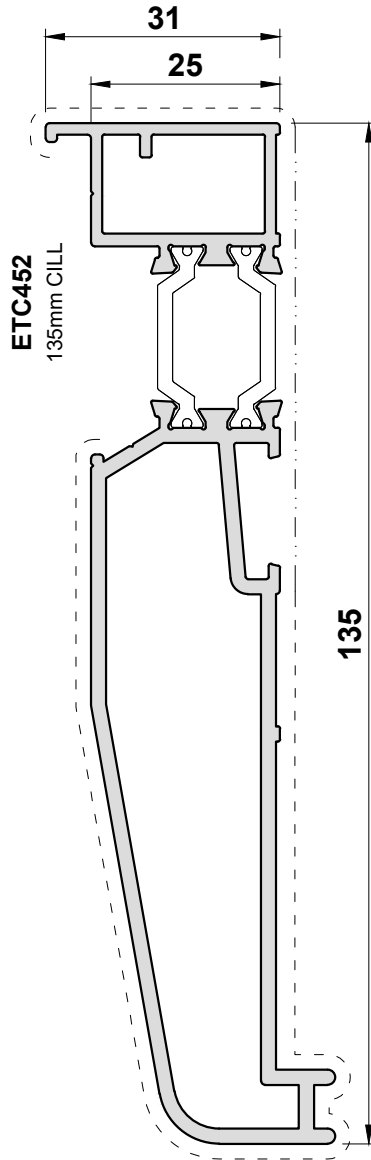
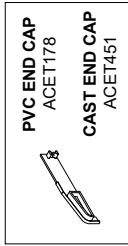
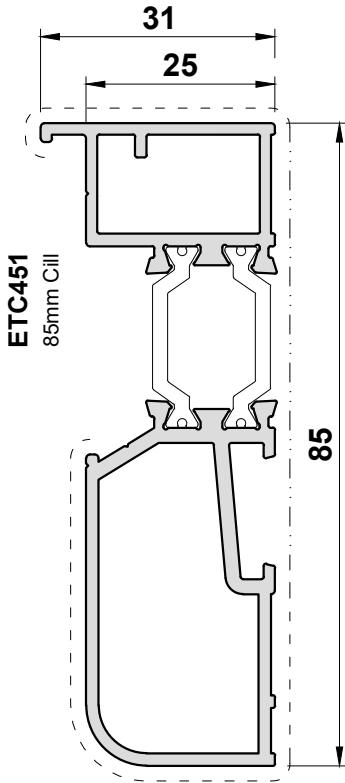
UN3000
Horizontal Coupler



End Cap
ACUN3000



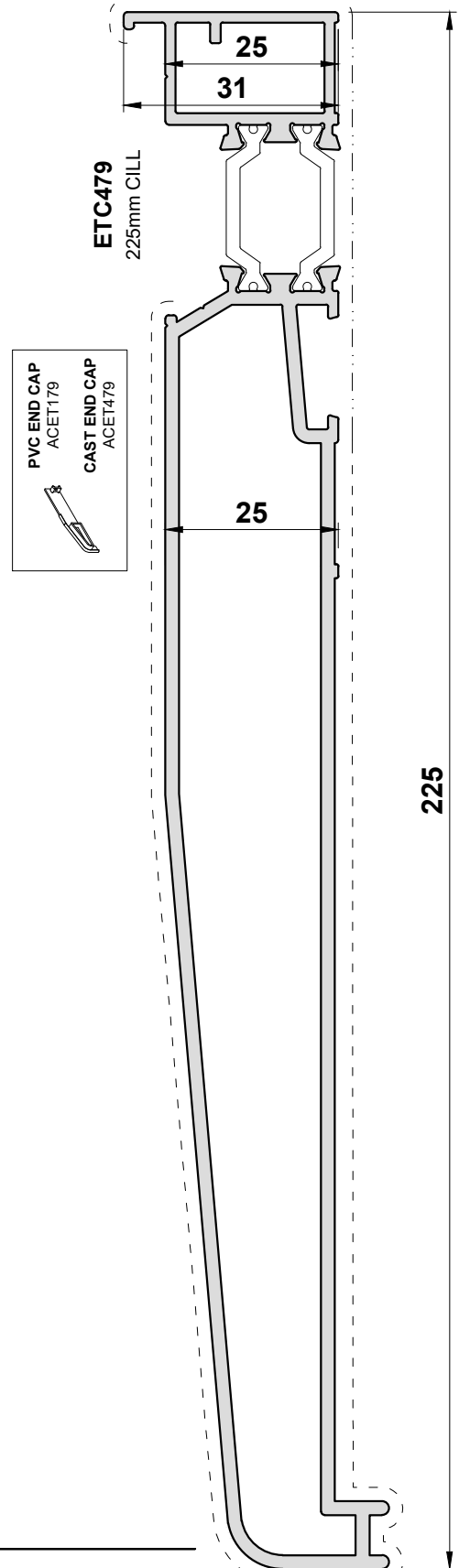
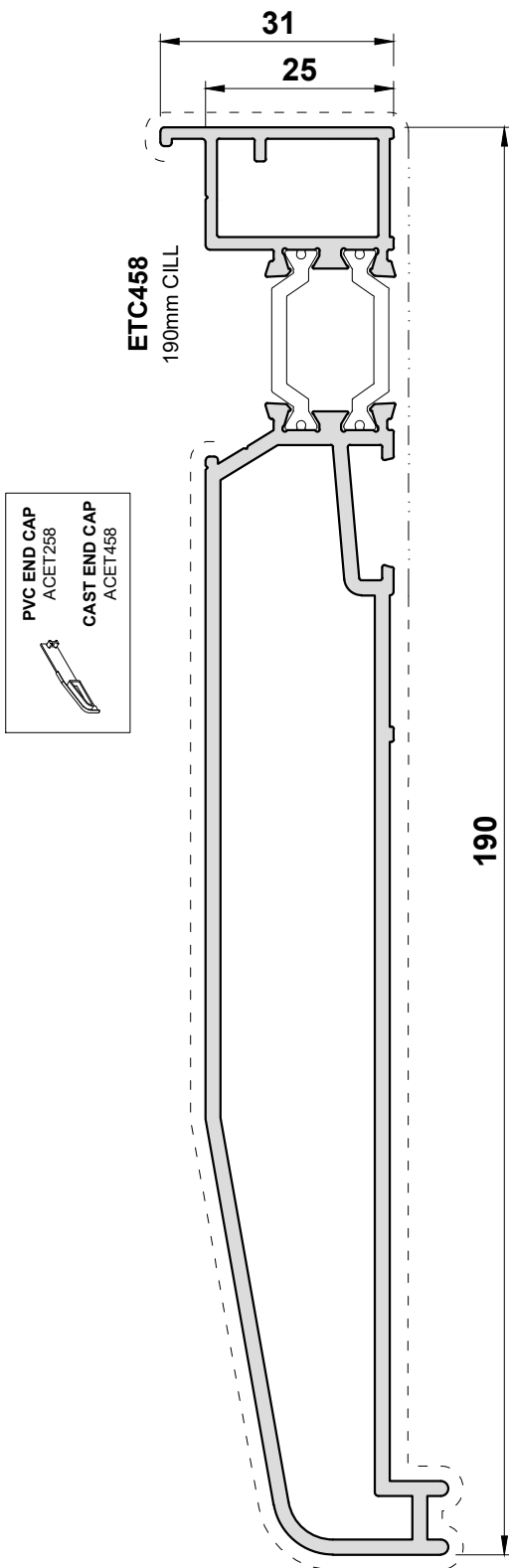
Scale 1:1



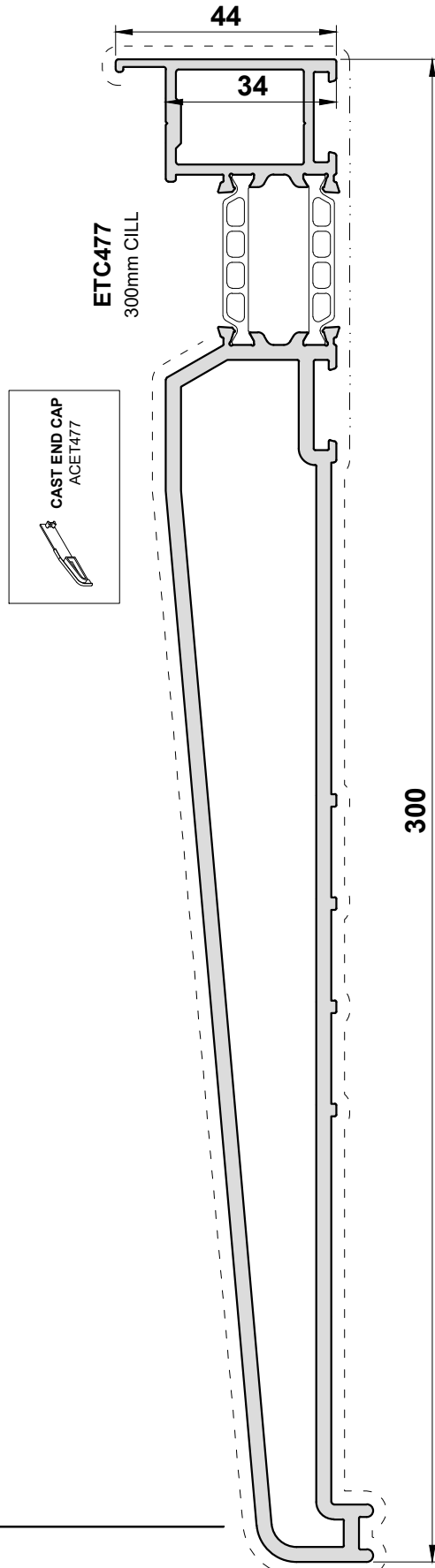
Scale 1:1

Primary Visible Side

Secondary Visible Side



Scale 1:1

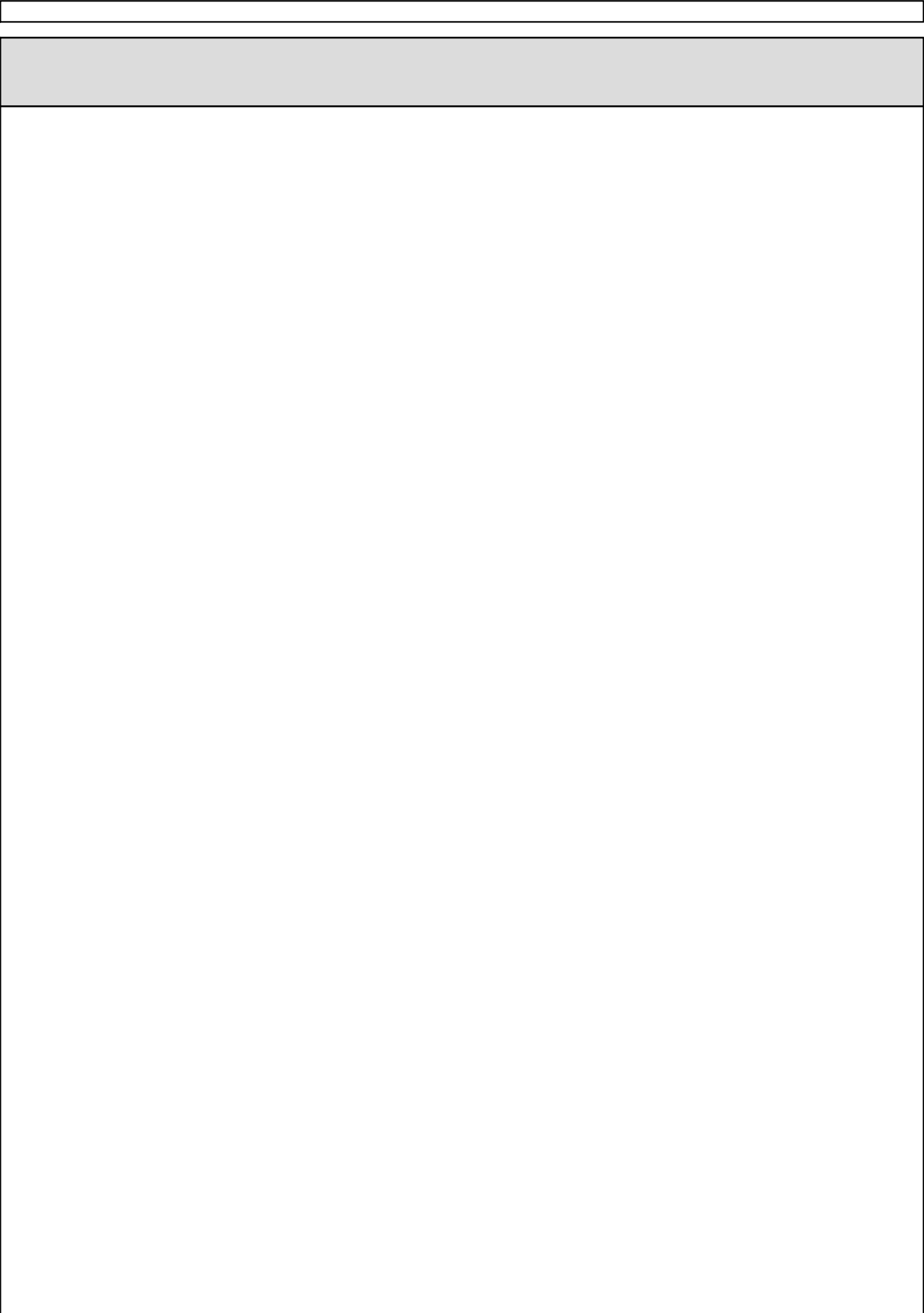


Not To Scale

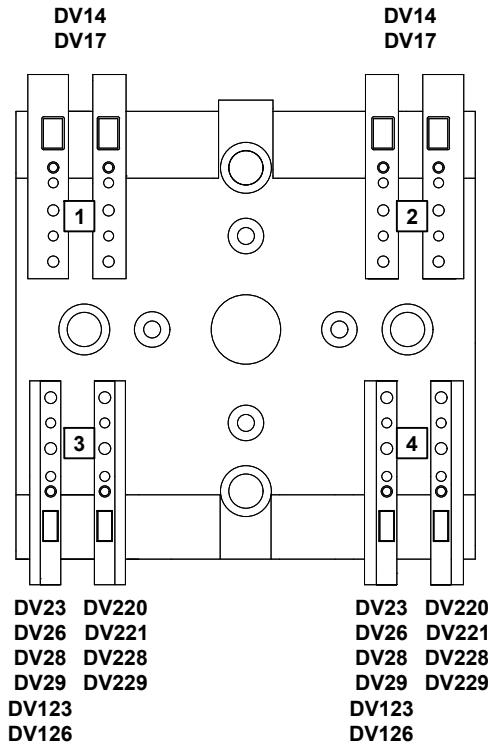
Section B

Accessories

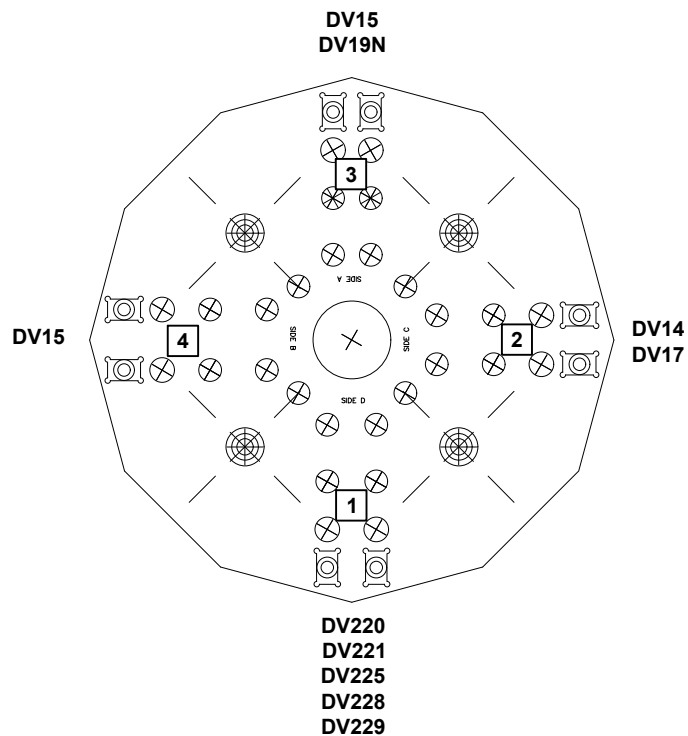
Photos & Drawings



Part Number : ACDV915



Part Number : ACDV918

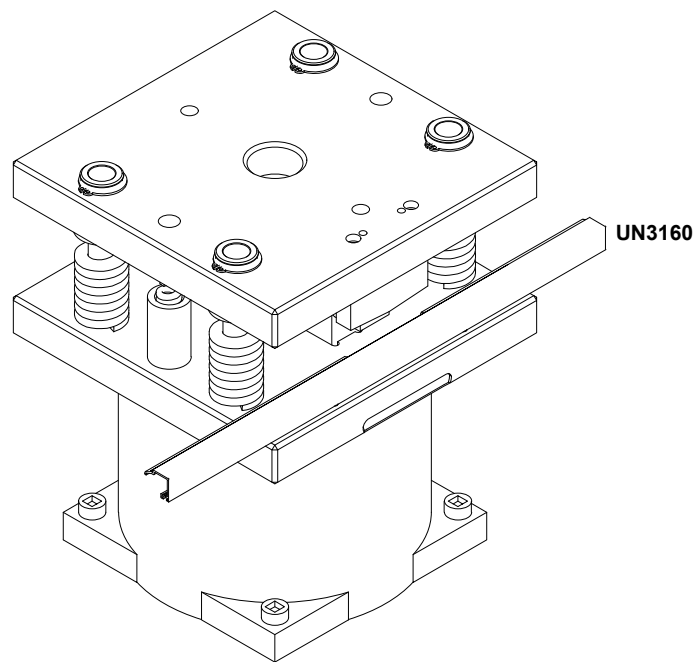


Spray Oil: ACVL158

Punch Tool Base : ACIP529

Punch Tool

Part Number : ACDV916



Spray Oil: ACVL158

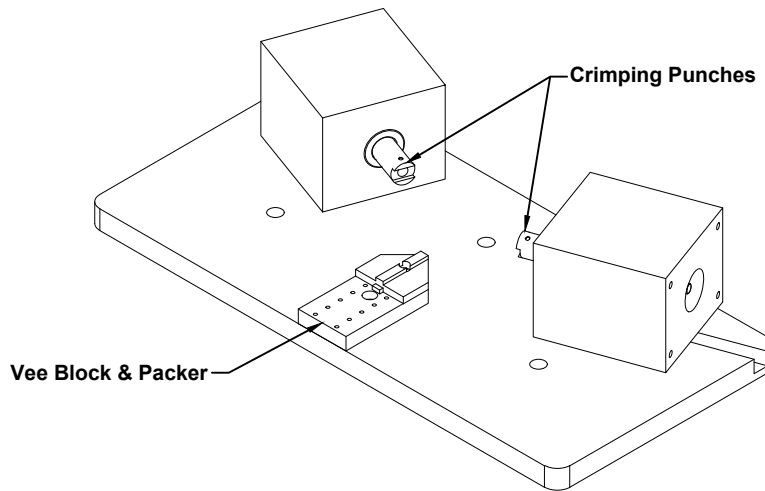
Punch Tool Base : ACIP529

Corner Joint - Crimping

	Profile	Crimping Punches	Vee Block	Packer
Sash	DV220 & DV221	ACDV923	ACDV920	-
	DV228 & DV229	ACDV922	ACDV925	-

PNEUMATIC CRIMPER
ACCR100

MANUAL CRIMPER
WUT024HSZA



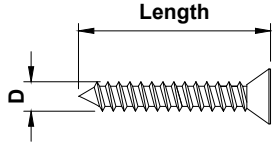
IF USING NON-SMART SYSTEMS CRIMP TOOLING:

Please contact:

Jade Engineering
Unit 70
Bayton Road Industrial Estate
Exhall
Coventry CV7 9EJ

02476 365336
sales@jade-eng.co.uk

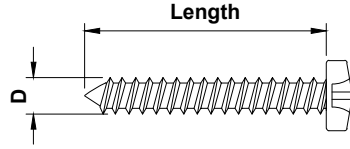
Countersunk Screws



Gauge	'D' (mm)
No.6	3.5
No.7	3.8
No.8	4
No.10	5
No.12	6

Part Number	Gauge	X	Length	Description	Box Qty.
ACUN3530	No.6	X	5/8"	Countersunk Pozi Self Tapper S/S	100
MUA025SSZ	No.6	X	1"	Countersunk Pozi Self Tapper S/S	100
ACET067	No.7	X	1/2"	Countersunk Pozi Self Tapper S/S	100
ACET060	No.7	X	1"	Countersunk Pozi Self Tapper S/S	100
ACET066	No.7	X	1 1/2"	Countersunk Pozi Self Tapper S/S	100
MUA067SSZ	No.7	X	2"	Countersunk Pozi Self Tapper S/S	100
ACUN3544	No.7	X	3/4"	Countersunk Pozi Self Tapper S/S	100
ACET064	No.8	X	5/8"	Countersunk Pozi Self Tapper S/S	100
ACUN3512	No.8	X	1 1/4"	Countersunk Pozi Self Tapper S/S	100
ACUN3513	No.8	X	1 3/4"	Countersunk Pozi Self Tapper S/S	100
ACET072	No.8	X	2 1/2"	Countersunk Pozi Self Tapper S/S	100
ACET490	4.3mm	X	16mm	Countersunk PH2 Polyamide Screw	1000
ACET290	4.3mm	X	20mm	Countersunk PH2 Polyamide Screw	100
ACET390	4.3mm	X	25mm	Countersunk PH2 Polyamide Screw	200
ACET190	4.3mm	X	45mm	Countersunk PH2 Polyamide Screw	1000
ACVS062	4.3mm	X	65mm	Countersunk PH2 Polyamide Screw	1000
ACET048	No.10	X	3/8"	Countersunk Pozi Self Tapper S/S	100
ACIM062	No.10	X	1 1/4"	Countersunk Pozi Self Tapper S/S	100
ACET062	No.10	X	2"	Countersunk Pozi Self Tapper S/S	100
ACET076	No.10	X	2 1/2"	Countersunk Pozi Self Tapper S/S	100

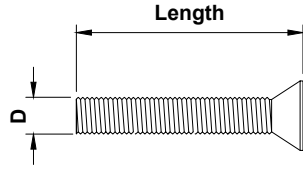
Pan Head Screws



Gauge	'D' (mm)
No.6	3.5
No.7	3.8
No.8	4
No.10	5
No.12	6

Part Number	Gauge	X	Length	Description	Box Qty.
ACET068	No.8	X	3/8"	Pozi Flange AB	100
ACET063	No.8	X	1/2"	Pan Head Self Tapper	100
ACET070	No.8	X	1/2"	Pozi Flange Self Tapper S/S	100
ACUN3535	No.8	X	5/8"	Pan Head Pozi S/S	100
ACET099	No.8	X	3/4"	Pozi Flange Self Tapper S/S	100
ACDR050	4.8mm	X	32mm	Pan Head Pozi S/S	200
PUA028	No.10	X	1"	Pan Head Pozi S/S	100
ACDR052	No.10	X	2"	Pan Head Self Tapper S/S	200
ACET079	No.10	X	2 1/2"	Pan Head Pozi S/S	100
ACW20160	No.12	X	1"	Flange Head Self Tapper S/S	100
ACMC109	6.3mm	X	38mm	DIN7981 - Pan Head Self Tapper	200

Machine Screws






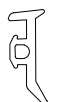



Thread	'D' (mm) Nominal
M4	4
M5	5
M6	6
M8	8
M10	10

Part Number	Thread	X	Length	Description	Box Qty.
ACET122	M4	X	10	CSK Pozi Machine Screw	100
ACET123	M4	X	20	CSK Pozi Machine Screw	100
ACDV264	M4	X	35	CSK Pozi Machine Screw	100
ACSG071	M4	X	40	CSK Pozi Machine Screw	100
ACDV266	M4	X	45	CSK Pozi Machine Screw	100
ACDV262	M4	X	50	CSK Pozi Machine Screw	100
ACDV265	M4	X	60	CSK Pozi Machine Screw	100
ACDR051	M5	X	10	CSK Pozi Machine Screw	100
ACET069	M5	X	12	CSK Pozi Machine Screw	100
HEA132	M5	X	16	CSK Pozi Machine Screw	100
WCA134	M5	X	20	CSK Pozi Machine Screw	100
WCA143	M5	X	25	CSK Pozi Machine Screw	50
ACVS061	M5	X	40	CSK Pozi Machine Screw	100
ACET133	M5	X	50	CSK Pozi Machine Screw	100
ACET220	M5	X	60	CSK Pozi Machine Screw	100
ACET238	M5	X	70	CSK Pozi Machine Screw	100
ACMX861	M5	X	80	DIN965 - CSK Machine Screw	10
ACMX862	M5	X	90	DIN965 - CSK Machine Screw	10
ACUN3503	M6	X	10	CSK Socket Machine Screw	24
ACUN3501	M6	X	13	CSK Flange Socket Machine Screw	48
ACMX852	M6	X	16	DIN965 - CSK Machine Screw	10
HEA390	M6	X	16	CSK Socket Machine Screw	32
ACET235	M6	X	60	CSK Pozi Machine Screw	100
ACET237	M6	X	70	CSK Pozi Machine Screw	100

Glazing Gaskets

Retaining Gasket









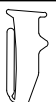

Commonly known as an E Gasket.
Retaining gaskets create a seal between the Glass and the Aluminium Profile.

High Line	2mm		ACVG231	
			200m	
			BL	
3mm	3mm		ACVG31	
			200m	
			BL	
4mm	4mm		ACVG131	
			100m	
			BL	
Low Line	2mm		ACET844	
			200m	
			BL	
	3mm	3mm		ACET842
				200m
				BL
	4mm	4mm		ACET841
				200m
				BL
	4mm	4mm		ACET835
				200m
				BL

Thickness	Drawing 1:1	Part number
		Coil length
		Available Colours

Wedge Gasket

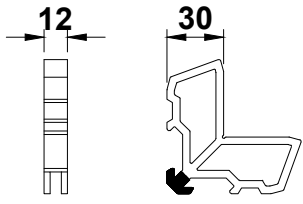
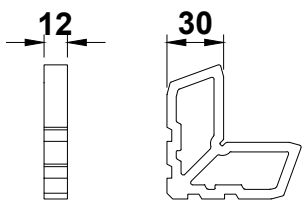
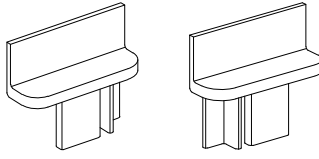
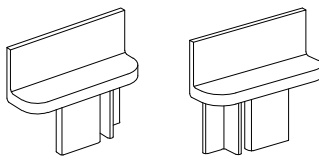

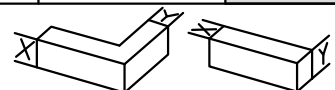
Wedge Gaskets help to hold the bead in place by providing tension between the bead and the glazing unit.

High Line	3mm		ACVG32
			100m
			BL
3mm	3mm		ACVG32N
			100m
			BL
4mm	4mm		ACVG33
			100m
			BL
4mm	4mm		ACVG33N
			100m
			BL
5mm	5mm		ACVG34
			100m
			BL
5mm	5mm		ACVG34N
			100m
			BL
6mm	6mm		ACVG340
			200m
			BL
6mm	6mm		ACVG340N
			100m
			BL
Low Line	4mm - 3mm		ACW20038
			50m
			BL
5mm - 4mm	4mm - 3mm		ACET848
			200m
			BL

ACCESSORIES : PHOTOS & DRAWINGS

Image	Part Code	Pack	Unit	Application	Colour
	ACCY0045 45mm Half Cylinder	1	each	ACDV251 ACET484 ACET486 ACET487 ACET488	MF SA KL HP SSC SMC W Z PC
	ACCY5050S1 50/50 1 Star Security Cylinder	1	each	ACDV251 ACET484 ACET486 ACET487 ACET488	MF SA KL HP SSC SMC W Z PC
	ACCY5050S3 50/50 3 Star Security Cylinder Keyed Alike Unavailable	1	each	ACDV251 ACET484 ACET486 ACET487 ACET488	MF SA KL HP SSC SMC W Z PC
<p>2 X ACMX853 PER CLEAT</p>	ACDV18 Mechanical Cleat	24	pack	DV14 DV17	MF SA KL HP SSC SMC W Z PC
<p>2 X ACMX853 PER CLEAT</p>	ACDV19 Mechanical Cleat	24	pack	DV14 DV17	MF SA KL HP SSC SMC W Z PC
<p>T-BARS ACVG65=2.5mm ACVG66=3.0mm ACVL150=4.0mm</p> <p>Screw (Grub)</p>	MF = Mill Finish SA = Silver Anodised KL = Basic Colour HP = Special Colour SSC = Smooth Satin Chrome SMC = Smokey Chrome PC = Polished Chrome	W = White Z = Black			

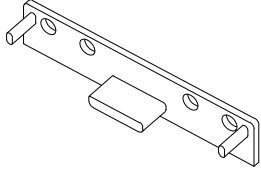
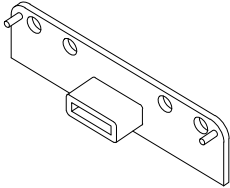
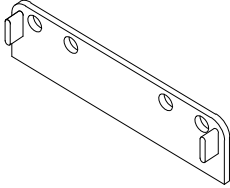
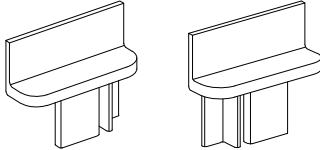
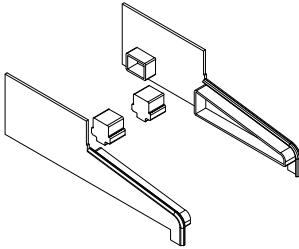


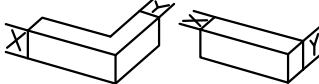
ACCESSORIES : PHOTOS & DRAWINGS

Image	Part Code	Pack	Unit	Application	Colour																		
 <p>2 X ACMX854 PER CLEAT</p>	<p>ACDV23</p> <p>Mechanical Cleat</p>	24	pack	<p>DV228</p> <p>DV229</p>	<table border="1"> <tr><td>MF</td><td></td></tr> <tr><td>SA</td><td></td></tr> <tr><td>KL</td><td></td></tr> <tr><td>HP</td><td></td></tr> <tr><td>SSC</td><td></td></tr> <tr><td>SMC</td><td></td></tr> <tr><td>W</td><td></td></tr> <tr><td>Z</td><td></td></tr> <tr><td>PC</td><td></td></tr> </table>	MF		SA		KL		HP		SSC		SMC		W		Z		PC	
MF																							
SA																							
KL																							
HP																							
SSC																							
SMC																							
W																							
Z																							
PC																							
	<p>ACDV26N</p> <p>Crimping Corner Cleat</p>	24	pack	<p>DV228</p> <p>DV229</p>	<table border="1"> <tr><td>MF</td><td></td></tr> <tr><td>SA</td><td></td></tr> <tr><td>KL</td><td></td></tr> <tr><td>HP</td><td></td></tr> <tr><td>SSC</td><td></td></tr> <tr><td>SMC</td><td></td></tr> <tr><td>W</td><td></td></tr> <tr><td>Z</td><td></td></tr> <tr><td>PC</td><td></td></tr> </table>	MF		SA		KL		HP		SSC		SMC		W		Z		PC	
MF																							
SA																							
KL																							
HP																							
SSC																							
SMC																							
W																							
Z																							
PC																							
<p>LEFT HAND RIGHT HAND</p> 	<p>ACDV56</p> <p>DV56 End Caps</p>	10	pairs	<p>DV56</p>	<table border="1"> <tr><td>MF</td><td></td></tr> <tr><td>SA</td><td></td></tr> <tr><td>KL</td><td></td></tr> <tr><td>HP</td><td></td></tr> <tr><td>SSC</td><td></td></tr> <tr><td>SMC</td><td></td></tr> <tr><td>W</td><td>✓</td></tr> <tr><td>Z</td><td>✓</td></tr> <tr><td>PC</td><td></td></tr> </table>	MF		SA		KL		HP		SSC		SMC		W	✓	Z	✓	PC	
MF																							
SA																							
KL																							
HP																							
SSC																							
SMC																							
W	✓																						
Z	✓																						
PC																							
<p>LEFT HAND RIGHT HAND</p> 	<p>ACDV76</p> <p>DV76 End Caps</p>	10	pairs	<p>DV76</p>	<table border="1"> <tr><td>MF</td><td></td></tr> <tr><td>SA</td><td></td></tr> <tr><td>KL</td><td></td></tr> <tr><td>HP</td><td></td></tr> <tr><td>SSC</td><td></td></tr> <tr><td>SMC</td><td></td></tr> <tr><td>W</td><td>✓</td></tr> <tr><td>Z</td><td>✓</td></tr> <tr><td>PC</td><td></td></tr> </table>	MF		SA		KL		HP		SSC		SMC		W	✓	Z	✓	PC	
MF																							
SA																							
KL																							
HP																							
SSC																							
SMC																							
W	✓																						
Z	✓																						
PC																							
					<table border="1"> <tr><td>MF</td><td></td></tr> <tr><td>SA</td><td></td></tr> <tr><td>KL</td><td></td></tr> <tr><td>HP</td><td></td></tr> <tr><td>SSC</td><td></td></tr> <tr><td>SMC</td><td></td></tr> <tr><td>W</td><td></td></tr> <tr><td>Z</td><td></td></tr> <tr><td>PC</td><td></td></tr> </table>	MF		SA		KL		HP		SSC		SMC		W		Z		PC	
MF																							
SA																							
KL																							
HP																							
SSC																							
SMC																							
W																							
Z																							
PC																							
 <p>T-BARS ACV665=2.5mm ACV666=3.0mm ACVL150=4.0mm</p> <p>Screw (Grub)</p>	<p>MF = Mill Finish SA = Silver Anodised KL = Basic Colour HP = Special Colour SSC = Smooth Satin Chrome SMC = Smokey Chrome PC = Polished Chrome</p>	<p>W = White Z = Black</p>																					

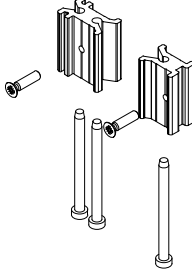


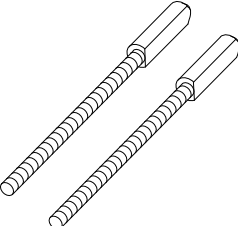
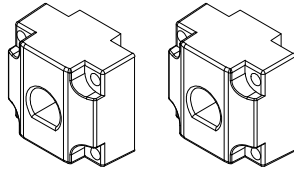

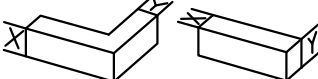
ACCESSORIES : PHOTOS & DRAWINGS

Image	Part Code	Pack	Unit	Application	Colour
	ACDV080 Run Up Block	10	pairs	DV14 DV17 DV220 DV221 DV228 DV229	MF SA KL HP SSC SMC W ✓ Z ✓ PC
	ACDV081 Anti-lift Security Block Required For PAS24	50	pack	DV14 DV17 DV220 DV221 DV228 DV229	MF SA KL HP SSC SMC W ✓ Z ✓ PC
	ACDV123 Mechanical Corner Cleat	24	pack	DV220 DV221	MF SA KL HP SSC SMC W Z PC
	ACDV126 Crimping Corner Cleat Pneumatic Crimper Only Tooling By Others	24	pack	DV220 DV221 DV228 DV229	MF SA KL HP SSC SMC W Z PC
	ACDV157 Bridge Packer	12	pack	DV220 DV221 DV228 DV229	MF SA KL HP SSC SMC W Z ✓ PC
	MF = Mill Finish SA = Silver Anodised KL = Basic Colour HP = Special Colour SSC = Smooth Satin Chrome SMC = Smokey Chrome PC = Polished Chrome	W = White Z = Black			


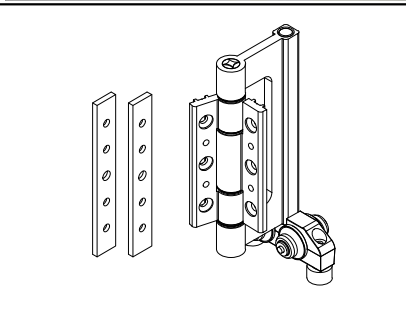
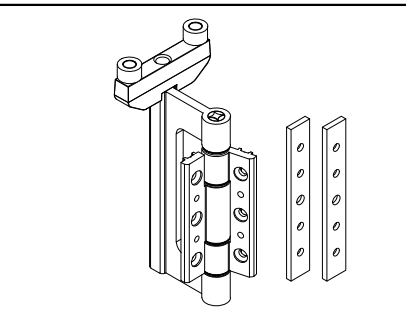
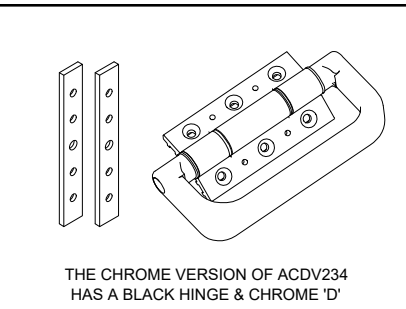
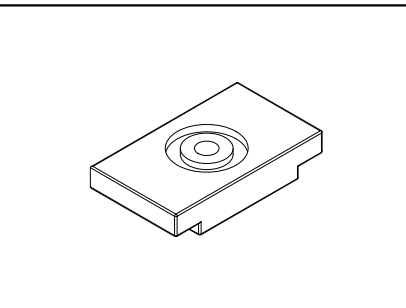
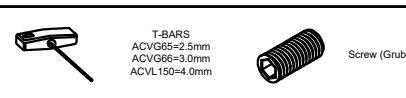
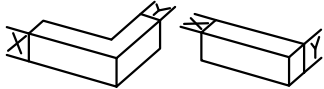
ACCESSORIES : PHOTOS & DRAWINGS

Image	Part Code	Pack	Unit	Application	Colour																		
	ACDV171N Threshold End Cap (2mm Thick)	10	pack	DV171N DV271N	<table border="1"> <tr><td>MF</td><td></td></tr> <tr><td>SA</td><td></td></tr> <tr><td>KL</td><td></td></tr> <tr><td>HP</td><td></td></tr> <tr><td>SSC</td><td></td></tr> <tr><td>SMC</td><td></td></tr> <tr><td>W</td><td></td></tr> <tr><td>Z</td><td>✓</td></tr> <tr><td>PC</td><td></td></tr> </table>	MF		SA		KL		HP		SSC		SMC		W		Z	✓	PC	
MF																							
SA																							
KL																							
HP																							
SSC																							
SMC																							
W																							
Z	✓																						
PC																							
	ACDV173N Threshold End Cap (2mm Thick)	10	pack	DV173N DV273N	<table border="1"> <tr><td>MF</td><td></td></tr> <tr><td>SA</td><td></td></tr> <tr><td>KL</td><td></td></tr> <tr><td>HP</td><td></td></tr> <tr><td>SSC</td><td></td></tr> <tr><td>SMC</td><td></td></tr> <tr><td>W</td><td></td></tr> <tr><td>Z</td><td>✓</td></tr> <tr><td>PC</td><td></td></tr> </table>	MF		SA		KL		HP		SSC		SMC		W		Z	✓	PC	
MF																							
SA																							
KL																							
HP																							
SSC																							
SMC																							
W																							
Z	✓																						
PC																							
	ACDV175 Threshold End Cap (2mm Thick)	10	pack	DV175	<table border="1"> <tr><td>MF</td><td></td></tr> <tr><td>SA</td><td></td></tr> <tr><td>KL</td><td></td></tr> <tr><td>HP</td><td></td></tr> <tr><td>SSC</td><td></td></tr> <tr><td>SMC</td><td></td></tr> <tr><td>W</td><td></td></tr> <tr><td>Z</td><td>✓</td></tr> <tr><td>PC</td><td></td></tr> </table>	MF		SA		KL		HP		SSC		SMC		W		Z	✓	PC	
MF																							
SA																							
KL																							
HP																							
SSC																							
SMC																							
W																							
Z	✓																						
PC																							
<p>LEFT HAND RIGHT HAND</p> 	ACDV177 DV177 End Caps	10	pairs	DV177	<table border="1"> <tr><td>MF</td><td></td></tr> <tr><td>SA</td><td></td></tr> <tr><td>KL</td><td></td></tr> <tr><td>HP</td><td></td></tr> <tr><td>SSC</td><td></td></tr> <tr><td>SMC</td><td></td></tr> <tr><td>W</td><td>✓</td></tr> <tr><td>Z</td><td>✓</td></tr> <tr><td>PC</td><td></td></tr> </table>	MF		SA		KL		HP		SSC		SMC		W	✓	Z	✓	PC	
MF																							
SA																							
KL																							
HP																							
SSC																							
SMC																							
W	✓																						
Z	✓																						
PC																							
	ACDV178 Threshold End Cap (2mm Thick)	10	pairs	DV176	<table border="1"> <tr><td>MF</td><td></td></tr> <tr><td>SA</td><td></td></tr> <tr><td>KL</td><td></td></tr> <tr><td>HP</td><td></td></tr> <tr><td>SSC</td><td></td></tr> <tr><td>SMC</td><td></td></tr> <tr><td>W</td><td>✓</td></tr> <tr><td>Z</td><td>✓</td></tr> <tr><td>PC</td><td></td></tr> </table>	MF		SA		KL		HP		SSC		SMC		W	✓	Z	✓	PC	
MF																							
SA																							
KL																							
HP																							
SSC																							
SMC																							
W	✓																						
Z	✓																						
PC																							
 <p>T-BARS ACV666=2.5mm ACV666=3.0mm ACVL150=4.0mm</p>  <p>Screw (Grub)</p>	<p>MF = Mill Finish W = White SA = Silver Anodised Z = Black KL = Basic Colour HP = Special Colour SSC = Smooth Satin Chrome SMC = Smokey Chrome PC = Polished Chrome</p>																						


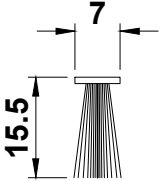
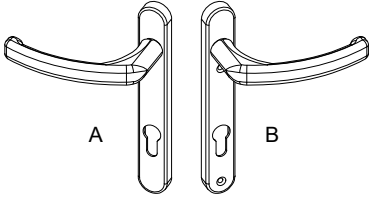
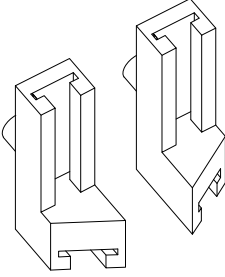
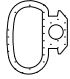



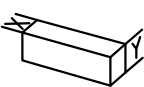
ACCESSORIES : PHOTOS & DRAWINGS

Image	Part Code	Pack	Unit	Application	Colour
	ACDV179 Connecting Bracket Includes Screws	1	set	DV17 DV176	MF SA KL HP SSC SMC W Z PC
	ACDV225 Shootbolt Operating Handle With Cylinder No External Operation	1	each	ACDV227 ACMX1604 DV228 DV229	MF SA KL ✓ HP ✓ SSC SMC W ✓ Z ✓ PC ✓
	ACDV226 Shootbolt Operating Handle Without Cylinder No External Operation	1	each	ACDV227 ACMX1604 DV220 DV221 DV228 DV229	MF SA KL ✓ HP ✓ SSC SMC W ✓ Z ✓ PC ✓
	ACDV228 Nylon Shootbolt Locking Rods Length 1000mm <u>NOT PAS24</u>	1	each	ACDV225 ACDV226 ACDV229 ACDV230 ACDV427 ACDC627 DV220 DV221 DV228 DV229	MF SA KL HP SSC SMC W Z PC
	ACDV229 Shootbolt Guides	1	pair	ACDV225 ACDV226 ACDV229 ACDV230 ACDV328 ACET060 DV220 DV221 DV228 DV229	MF SA KL HP SSC SMC W Z ✓ PC
	<p>T-BARS ACVG65=2.5mm ACVG66=3.0mm ACVL150=4.0mm</p> <p>Screw (Grub)</p>	<p>MF = Mill Finish SA = Silver Anodised KL = Basic Colour HP = Special Colour SSC = Smooth Satin Chrome SMC = Smokey Chrome PC = Polished Chrome</p>	<p>W = White Z = Black</p>		

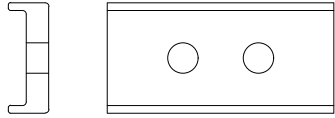
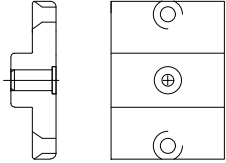
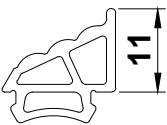
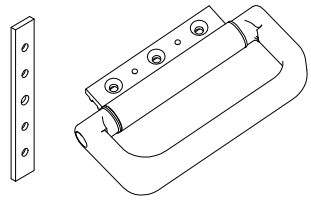
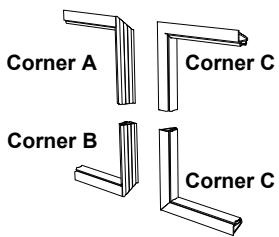

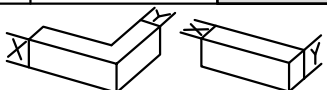
ACCESSORIES : PHOTOS & DRAWINGS

Image	Part Code	Pack	Unit	Application	Colour
	ACDV230 Gearbox Cover	1	each	ACDV225 ACDV226 ACDV227 ACDV229 ACDV328 ACET060 DV23 DV26 DV28 DV29	MF SA KL HP SSC SMC W Z PC
	ACDV232 Bottom Roller Carrier Includes: - hinges - acdv260 fixing plates - machine & grub screws Use ACIM062 for dead fixing	1	each	DV220 DV221 DV228 DV229	MF SA KL HP SSC SMC W Z PC
	ACDV233 Top Roller Carrier Includes: - Hinges - ACDV260 Fixing Plates - Machine & Grub Screws Use ACIM062 For Dead Fixing	1	each	DV220 DV221 DV228 DV229	MF SA KL ✓ HP ✓ SSC SMC W ✓ Z ✓ PC
 THE CHROME VERSION OF ACDV234 HAS A BLACK HINGE & CHROME 'D'	ACDV234 'D' Handle Hinge Assembly Open Out Includes: - Hinges - ACDV260 Fixing Plates - Machine & Grub Screws Use ACIM062 For Dead Fixing	1	each	DV220 DV221 DV228 DV229	MF SA KL ✓ HP ✓ SSC SMC W ✓ Z ✓ PC ✓
	ACDV241 M4 Fixing Plate	50	pack	DV32 DV38 DV220 DV221 DV228 DV229	MF SA KL HP SSC SMC W Z ✓ PC
	MF = Mill Finish SA = Silver Anodised KL = Basic Colour HP = Special Colour SSC = Smooth Satin Chrome SMC = Smokey Chrome PC = Polished Chrome	W = White Z = Black			

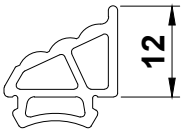

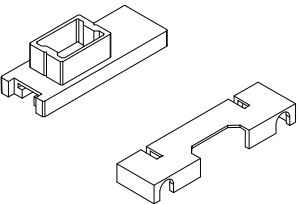
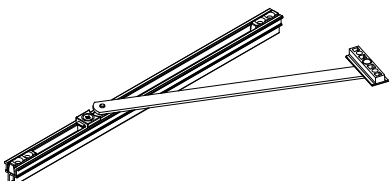
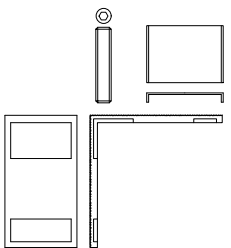


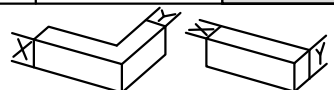
ACCESSORIES : PHOTOS & DRAWINGS

Image	Part Code	Pack	Unit	Application	Colour
	ACDV244N Flipper Gasket	100	m	DV14 DV15 DV17 DV19	MF SA KL HP SSC SMC W Z ✓ PC
	ACDV249 Brush Pile	250	m	ACDV249 DV62 DV171 DV173	MF SA KL HP SSC SMC W Z ✓ PC
	ACDV251 Lever / Lever Handles ACDV251A - Outside ACDV251B - Inside Blank Handles Available To Special Order	1	pair	DV220 DV221 DV228 DV229	MF SA KL ✓ HP ✓ SSC SMC W ✓ Z ✓ PC ✓
	ACDV254 Infill Blocks For DV23 Mitred	10	pairs	DV171 DV173 ACSH032	MF SA KL HP SSC SMC W Z ✓ PC
	ACDV268 Bubble Gasket Greater Compression ACDV268 Is Not Recommended Where DV32 & DV38 Is Required Due To The Increased Friction	100	m	DV14 DV17	MF SA KL HP SSC SMC W Z ✓ PC
 T-BARS ACVG65=2.5mm ACVG66=3.0mm ACVL150=4.0mm	 Screw (Grub)	MF = Mill Finish SA = Silver Anodised KL = Basic Colour HP = Special Colour SSC = Smooth Satin Chrome SMC = Smokey Chrome PC = Polished Chrome	W = White Z = Black	 	

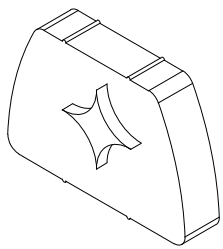
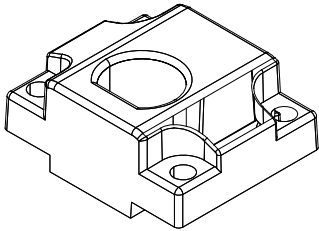
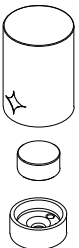
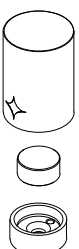



ACCESSORIES : PHOTOS & DRAWINGS

Image	Part Code	Pack	Unit	Application	Colour
	ACDV270 M4 Fixing Plate For Keeps In PCX36	10	pack	ACET123 ACDV722 ACDV723 PCX36	MF <input checked="" type="checkbox"/>
					SA <input type="checkbox"/>
					KL <input type="checkbox"/>
					HP <input type="checkbox"/>
					SSC <input type="checkbox"/>
					SMC <input type="checkbox"/>
					W <input type="checkbox"/>
					Z <input type="checkbox"/>
					PC <input type="checkbox"/>
					PC <input type="checkbox"/>
	ACDV271 Packer For PCX36	50	pack	ACET060 ACDV722 ACDV723 PCX36	MF <input type="checkbox"/>
					SA <input type="checkbox"/>
					KL <input type="checkbox"/>
					HP <input type="checkbox"/>
					SSC <input type="checkbox"/>
					SMC <input type="checkbox"/>
					W <input type="checkbox"/>
					Z <input type="checkbox"/>
					PC <input type="checkbox"/>
					PC <input type="checkbox"/>
	ACDV272 Sealing Gasket Please Consider ACDV582 As An Alternative When Threshold Tolerance Is Tight	100	m	DV32 ACDV283 ACDV284 ACDV381 ACSIL05	MF <input type="checkbox"/>
					SA <input type="checkbox"/>
					KL <input type="checkbox"/>
					HP <input type="checkbox"/>
					SSC <input type="checkbox"/>
					SMC <input type="checkbox"/>
					W <input type="checkbox"/>
					Z <input checked="" type="checkbox"/>
					PC <input type="checkbox"/>
					PC <input type="checkbox"/>
 <p>NOTE: The chrome version of ACDV234 has Black hinge & Chrome 'D'</p>	ACDV274 'D' Handle Hinge Assembly Open In Includes: - Hinges - ACDV260 Fixing Plates - Machine & Grub Screws Use ACIM062 For Dead Fixing	1	each	DV220 DV221 DV228 DV229	MF <input type="checkbox"/>
					SA <input type="checkbox"/>
					KL <input checked="" type="checkbox"/>
					HP <input checked="" type="checkbox"/>
					SSC <input type="checkbox"/>
					SMC <input type="checkbox"/>
					W <input checked="" type="checkbox"/>
					Z <input checked="" type="checkbox"/>
					PC <input checked="" type="checkbox"/>
					PC <input checked="" type="checkbox"/>
	ACDV275 Corner Gaskets To Join ACDV272 Around Sash 1 Set = 1 Sash To Order Individual Corner, Specify Letter After Code: ACDV275/B	10	sets	DV220 DV221 DV228 DV229 ACDV272 ACSIL05	MF <input type="checkbox"/>
					SA <input type="checkbox"/>
					KL <input type="checkbox"/>
					HP <input type="checkbox"/>
					SSC <input type="checkbox"/>
					SMC <input type="checkbox"/>
					W <input type="checkbox"/>
					Z <input checked="" type="checkbox"/>
					PC <input type="checkbox"/>
					PC <input type="checkbox"/>
 <p>T-BARS ACV665=2.5mm ACV666=3.0mm ACVL150=4.0mm</p> <p>Screw (Grub)</p>	MF = Mill Finish SA = Silver Anodised KL = Basic Colour HP = Special Colour SSC = Smooth Satin Chrome SMC = Smokey Chrome PC = Polished Chrome	W = White Z = Black			


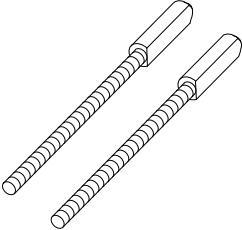
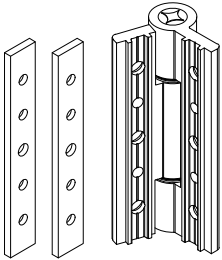
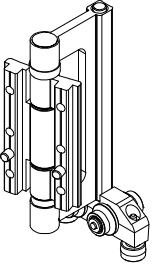
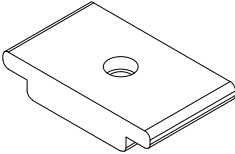



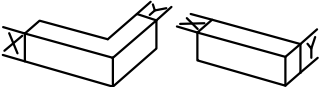
ACCESSORIES : PHOTOS & DRAWINGS

Image	Part Code	Pack	Unit	Application	Colour
	ACDV276 Sealing Gasket Oversized Version Of ACDV272 Only To Be Used When Necessary	100	m	DV220 DV221 DV228 DV229 ACDV272 ACSIL05	MF
					SA
	ACDV278 Channel Infill Gasket	250	m	DV14 DV17 DV176	KL
					HP
	ACDV282 Woolpile Carrier & Isolator Kit Kit Contains: 20 X Woolpile Carriers 10 X Isolators	10	pack	DV32 DV38 ACDV380 ACDV381 ACDV249	SSC
					SMC
	ACDV291N 90° Restrictor For Single Or Double Swing Doors	1	each	DV14 DV17 DV220 DV221 DV228 DV229 ACET060 ACET190	W
					Z
	ACDV295 Glass Adjuster Kit	10	pack	DV220 DV221 DV228 DV229	PC
					MF
 <p>T-BARS ACVG66=2.5mm ACVG66=3.0mm ACVL150=4.0mm</p>  <p>Screw (Grub)</p>	MF = Mill Finish SA = Silver Anodised KL = Basic Colour HP = Special Colour SSC = Smooth Satin Chrome SMC = Smokey Chrome PC = Polished Chrome	W = White Z = Black			

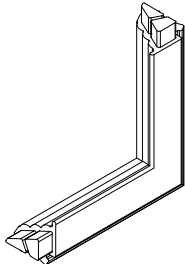
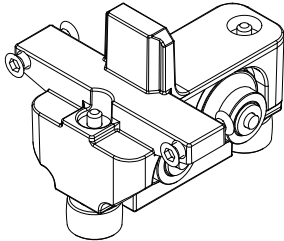
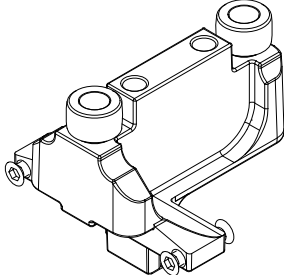
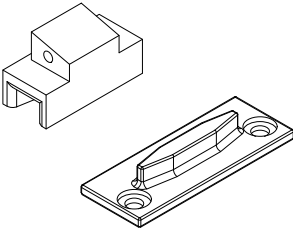
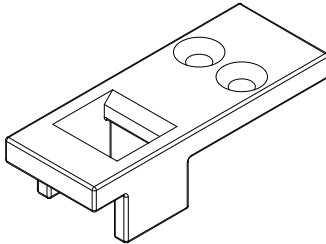


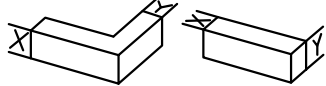
ACCESSORIES : PHOTOS & DRAWINGS

Image	Part Code	Pack	Unit	Application	Colour	
	ACDV296 Replacement Screw Cover Caps For ACDV225 & ACDV226	1	each	ACDV225 ACDV226	MF	
					SA	
					KL	
					HP	
					SSC	
					SMC	
					W	
					Z	✓
					PC	
						ACDV299 Shootbolt Guide
SA						
KL						
HP						
SSC						
SMC						
W						
Z	✓					
PC						
	ACDV305 Magnetic Door Holder Use Screws ACET060 & MUA025	1	each	DV220 DV221 DV228 DV229		
					SA	
					KL	✓
					HP	✓
					SSC	
					SMC	
					W	✓
					Z	✓
					PC	
						ACDV306 Heavy Duty Magnetic Door Holder Use Screws ACET060 & MUA025
SA						
KL	✓					
HP	✓					
SSC						
SMC						
W	✓					
Z	✓					
PC						
	ACDV308 Magnetic Door Holder Use Screws ACET060 & MUA025	1	each	DV220 DV221 DV228 DV229		
					SA	
					KL	
					HP	
					SSC	
					SMC	
					W	
					Z	
					PC	✓
					 T-BARS ACVG66=2.5mm ACVG66=3.0mm ACVL150=4.0mm	 Screw (Grub)

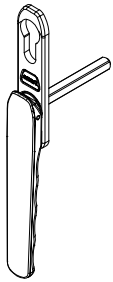
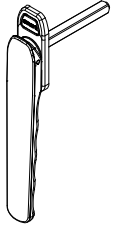
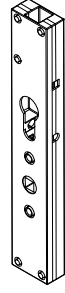

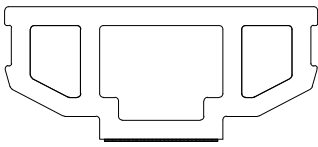


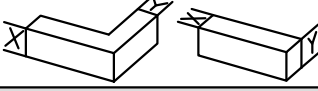
ACCESSORIES : PHOTOS & DRAWINGS

Image				Application																			
	<p>ACDV309</p> <p>Small Magnetic Door Holder. To Be Used Where There Is No External Handle.</p> <p>Use Screws ACET060 & MUA025</p>	1	each	<p>DV220 DV221 DV228 DV229</p>	<table border="1"> <tr><td>MF</td><td></td></tr> <tr><td>SA</td><td></td></tr> <tr><td>KL</td><td></td></tr> <tr><td>HP</td><td></td></tr> <tr><td>SSC</td><td></td></tr> <tr><td>SMC</td><td></td></tr> <tr><td>W</td><td></td></tr> <tr><td>Z</td><td></td></tr> <tr><td>PC</td><td>✓</td></tr> </table>	MF		SA		KL		HP		SSC		SMC		W		Z		PC	✓
MF																							
SA																							
KL																							
HP																							
SSC																							
SMC																							
W																							
Z																							
PC	✓																						
	<p>ACDV328</p> <p>PAS24 Nylon Coated Stainless Steel Shootbolt Locking Rods</p> <p>Length 1000mm</p>	1	each	<p>ACDV225 ACDV226 ACDV229 ACDV230 ACDV427 ACDC627 DV220 DV221 DV228 DV229</p>	<table border="1"> <tr><td>MF</td><td></td></tr> <tr><td>SA</td><td></td></tr> <tr><td>KL</td><td></td></tr> <tr><td>HP</td><td></td></tr> <tr><td>SSC</td><td></td></tr> <tr><td>SMC</td><td></td></tr> <tr><td>W</td><td></td></tr> <tr><td>Z</td><td></td></tr> <tr><td>PC</td><td></td></tr> </table>	MF		SA		KL		HP		SSC		SMC		W		Z		PC	
MF																							
SA																							
KL																							
HP																							
SSC																							
SMC																							
W																							
Z																							
PC																							
	<p>ACDV331</p> <p>Intermediate Hinge</p> <p>Includes:</p> <ul style="list-style-type: none"> - ACDV260 Fixing Plates - Machine & Grub Screws <p>Use ACIM062 For Dead Fixing</p>	1	each	<p>DV14 DV15 DV17 DV19 DV220 DV221 DV228 DV229 ACIM062</p>	<table border="1"> <tr><td>MF</td><td></td></tr> <tr><td>SA</td><td></td></tr> <tr><td>KL</td><td>✓</td></tr> <tr><td>HP</td><td>✓</td></tr> <tr><td>SSC</td><td></td></tr> <tr><td>SMC</td><td></td></tr> <tr><td>W</td><td>✓</td></tr> <tr><td>Z</td><td>✓</td></tr> <tr><td>PC</td><td></td></tr> </table>	MF		SA		KL	✓	HP	✓	SSC		SMC		W	✓	Z	✓	PC	
MF																							
SA																							
KL	✓																						
HP	✓																						
SSC																							
SMC																							
W	✓																						
Z	✓																						
PC																							
	<p>ACDV334</p> <p>Adjustable Bottom Roller</p>	1	each	<p>DV220 DV221 DV228 DV229</p>	<table border="1"> <tr><td>MF</td><td></td></tr> <tr><td>SA</td><td></td></tr> <tr><td>KL</td><td></td></tr> <tr><td>HP</td><td></td></tr> <tr><td>SSC</td><td></td></tr> <tr><td>SMC</td><td></td></tr> <tr><td>W</td><td></td></tr> <tr><td>Z</td><td></td></tr> <tr><td>PC</td><td></td></tr> </table>	MF		SA		KL		HP		SSC		SMC		W		Z		PC	
MF																							
SA																							
KL																							
HP																							
SSC																							
SMC																							
W																							
Z																							
PC																							
	<p>ACDV341</p> <p>M4 Aluminium Fixing Plate</p> <p>Required For PAS24 </p>	50	pack		<table border="1"> <tr><td>MF</td><td>✓</td></tr> <tr><td>SA</td><td></td></tr> <tr><td>KL</td><td></td></tr> <tr><td>HP</td><td></td></tr> <tr><td>SSC</td><td></td></tr> <tr><td>SMC</td><td></td></tr> <tr><td>W</td><td></td></tr> <tr><td>Z</td><td></td></tr> <tr><td>PC</td><td></td></tr> </table>	MF	✓	SA		KL		HP		SSC		SMC		W		Z		PC	
MF	✓																						
SA																							
KL																							
HP																							
SSC																							
SMC																							
W																							
Z																							
PC																							
 <p>T-BARS ACVG65=2.5mm ACVG66=3.0mm ACVL150=4.0mm</p>  <p>Screw (Grub)</p>	<p>MF = Mill Finish SA = Silver Anodised KL = Basic Colour HP = Special Colour SSC = Smooth Satin Chrome SMC = Smokey Chrome PC = Polished Chrome</p>	<p>W = White Z = Black</p>																					


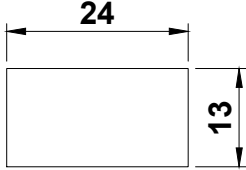
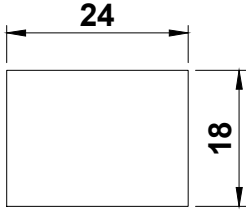
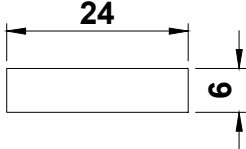
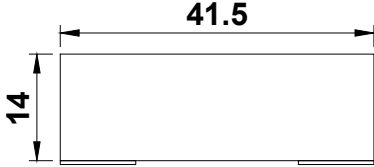


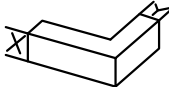
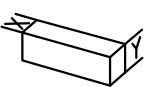
ACCESSORIES : PHOTOS & DRAWINGS

Image	Part Code	Pack	Unit	Application	Colour	
	ACDV375 Corner Gasket For Outer Frame To Match ACDV272	20	pack	ACDV272 ACSIL05	MF	
					SA	
					KL	
					HP	
					SSC	
					SMC	
					W	
					Z	✓
					PC	
	ACDV380 High Security Mullion Bottom Roller	1	each	DV32 DV38 ACDV282 ACDV381	MF	
					SA	
					KL	
					HP	
					SSC	
					SMC	
					W	
					Z	✓
					PC	
	ACDV381 High Security Mullion Top Guide	1	each	DV32 DV38 ACDV282 ACDV381	MF	
					SA	
					KL	
					HP	
					SSC	
					SMC	
					W	
					Z	✓
					PC	
	ACDV385 Floating Mullion Guide	1	each	DV32 DV38 ACET067 ACET101	MF	
					SA	
					KL	
					HP	
					SSC	
					SMC	
					W	
					Z	✓
					PC	
	ACDV396 Shootbolt Keep For Single Door Fixed Using ACET060	1	each	DV14 DV17 DV176 ACDV737 ACDV738 ACET060	MF	
					SA	
					KL	
					HP	
					SSC	
					SMC	
					W	
					Z	
					PC	
 T-BARS ACVG66=2.5mm ACVG66=3.0mm ACVL150=4.0mm	 Screw (Grub)	MF = Mill Finish SA = Silver Anodised KL = Basic Colour HP = Special Colour SSC = Smooth Satin Chrome SMC = Smokey Chrome PC = Polished Chrome	W = White Z = Black			

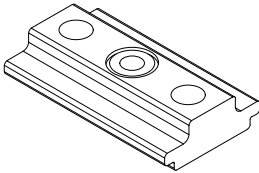
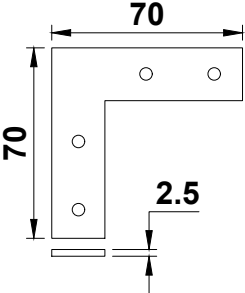
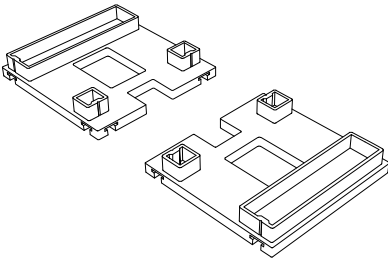
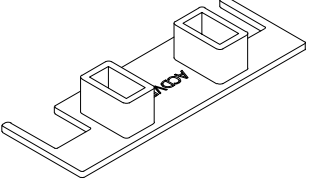
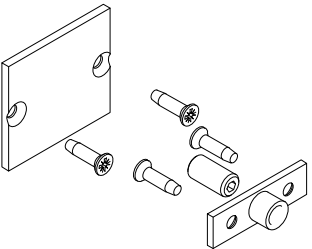


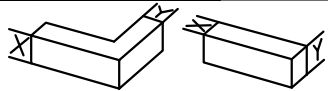
ACCESSORIES : PHOTOS & DRAWINGS

Image	Part Code	Pack	Unit	Application	Colour
	ACDV425 Heavy Duty Locking Shootbolt Handle	1	each	ACDV229 ACDV230 ACDV328 ACDV427 DV220 DV221 DV228 DV229	MF SA KL HP SSC SMC W Z PC
	ACDV426 Heavy Duty Non-Locking Shootbolt Handle	1	each	ACDV229 ACDV230 ACDV328 ACDV427 DV220 DV221 DV228 DV229	MF SA KL HP SSC SMC W Z PC
	ACDV427 Slimline Shootbolt Gearbox with Cylinder Cut Out	1	each	ACDV225 ACDV226 ACDV229 ACDV230 ACDV328 DV220 DV221 DV228 DV229	MF SA KL HP SSC SMC W Z PC
	ACDV430 ACDV427 Gearbox Cover	1	each	ACDV427 DV220 DV221 DV228 DV229	MF SA KL HP SSC SMC W Z PC
	ACDV481 Self Adhesive Foam Insulation	25	m	DV220 DV221 DV225 DV228 DV229	MF SA KL HP SSC SMC W Z PC
 <p>T-BARS ACVG65=2.5mm ACVG66=3.0mm ACVL150=4.0mm</p>  <p>Screw (Grub)</p>	MF = Mill Finish SA = Silver Anodised KL = Basic Colour HP = Special Colour SSC = Smooth Satin Chrome SMC = Smokey Chrome PC = Polished Chrome	W = White Z = Black			

ACCESSORIES : PHOTOS & DRAWINGS

Image	Part Code	Pack	Unit	Application	Colour
	ACDV482 Self Adhesive Glass Perimeter Foam	1	each	DV220 DV221 DV225 DV228 DV229	MF SA KL HP SSC SMC W Z PC
	ACDV483 Foam Insulation (1250mm)	1	each	DV220 DV221 DV225	MF SA KL HP SSC SMC W Z PC
	ACDV484 Foam Insulation (1250mm)	1	each	DV228 DV229	MF SA KL HP SSC SMC W Z PC
	ACDV485 Foam Insulation (1250mm)	1	each	DV15 DV19	MF SA KL HP SSC SMC W Z PC
	ACDV486 Sash to Sash Self Adhesive Foam Insulation (1250mm)	1	each	DV220 DV221 DV225 DV228 DV229	MF SA KL HP SSC SMC W Z PC
 <p>T-BARS ACVG66=2.5mm ACVG66=3.0mm ACVL150=4.0mm</p>  <p>Screw (Grub)</p>	MF = Mill Finish SA = Silver Anodised KL = Basic Colour HP = Special Colour SSC = Smooth Satin Chrome SMC = Smokey Chrome PC = Polished Chrome	W = White Z = Black	 		

ACCESSORIES : PHOTOS & DRAWINGS

Image	Part Code	Pack	Unit	Application	Colour
	ACDV523 M4 Fixing Plate	50	pack	DV14 ACDV722 ACDV723 ACSG071	MF SA KL HP SSC SMC W Z ✓ PC
	ACDV552 Outer Frame Fixing Bracket Fixed Using Acet070	4	pack	ACDV951 DV14 DV171 DV173 DV175 DV271 ACET070	MF ✓ SA KL HP SSC SMC W Z PC
	ACDV555 DV555 End Cap Top & Bottom	10	pack	DV555 ACGSL042 ACVL159	MF SA KL HP SSC SMC W ✓ Z ✓ PC
	ACDV557 DV553 End Cap	10	pack	DV553	MF SA KL HP SSC SMC W ✓ Z ✓ PC
	ACDV558 Adjustable Jamb Fixing Kit	1	kit	DV553	MF SA KL HP SSC SMC W Z PC
 <p>T-BARS ACVG65=2.5mm ACVG66=3.0mm ACVL150=4.0mm</p>  <p>Screw (Grub)</p>	MF = Mill Finish SA = Silver Anodised KL = Basic Colour HP = Special Colour SSC = Smooth Satin Chrome SMC = Smokey Chrome PC = Polished Chrome	W = White Z = Black			

ACCESSORIES : PHOTOS & DRAWINGS

Image	Part Code	Pack	Unit	Application	Colour																		
	<p>ACDV576</p> <p>25mm BACK SET MULTI POINT LOCK KIT WITH LEFT HAND FULL HEIGHT KEEP</p> <p>VIEWED EXTERNALLY</p> <p>LEFT HAND OPEN OUT RIGHT HAND OPEN IN</p>	1	each	<p>DV14 DV15 DV17 DV19 DV32 DV38 DV220 DV221 DV228 DV229 PCX38</p>	<table border="1"> <tr><td>MF</td><td>✓</td></tr> <tr><td>SA</td><td></td></tr> <tr><td>KL</td><td></td></tr> <tr><td>HP</td><td></td></tr> <tr><td>SSC</td><td></td></tr> <tr><td>SMC</td><td></td></tr> <tr><td>W</td><td></td></tr> <tr><td>Z</td><td></td></tr> <tr><td>PC</td><td></td></tr> </table>	MF	✓	SA		KL		HP		SSC		SMC		W		Z		PC	
MF	✓																						
SA																							
KL																							
HP																							
SSC																							
SMC																							
W																							
Z																							
PC																							
	<p>ACDV577</p> <p>25mm BACK SET MULTI POINT LOCK KIT WITH RIGHT HAND FULL HEIGHT KEEP</p> <p>VIEWED EXTERNALLY</p> <p>LEFT HAND OPEN IN RIGHT HAND OPEN OUT</p>	1	each	<p>DV14 DV15 DV17 DV19 DV32 DV38 DV220 DV221 DV228 DV229 PCX38</p>	<table border="1"> <tr><td>MF</td><td>✓</td></tr> <tr><td>SA</td><td></td></tr> <tr><td>KL</td><td></td></tr> <tr><td>HP</td><td></td></tr> <tr><td>SSC</td><td></td></tr> <tr><td>SMC</td><td></td></tr> <tr><td>W</td><td></td></tr> <tr><td>Z</td><td></td></tr> <tr><td>PC</td><td></td></tr> </table>	MF	✓	SA		KL		HP		SSC		SMC		W		Z		PC	
MF	✓																						
SA																							
KL																							
HP																							
SSC																							
SMC																							
W																							
Z																							
PC																							
	<p>MF = Mill Finish W = White SA = Silver Anodised Z = Black KL = Basic Colour HP = Special Colour SSC = Smooth Satin Chrome SMC = Smokey Chrome PC = Polished Chrome</p>																						

ACCESSORIES : PHOTOS & DRAWINGS


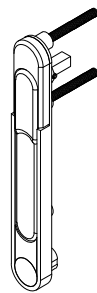
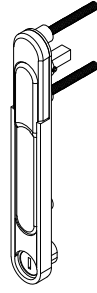
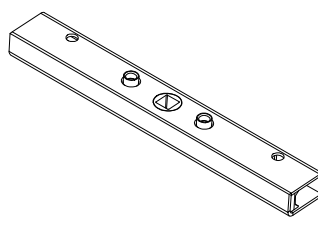

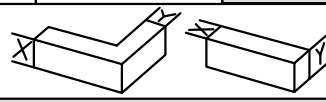
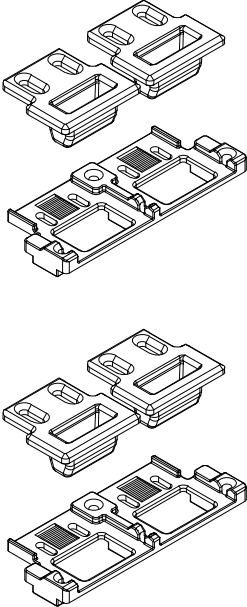
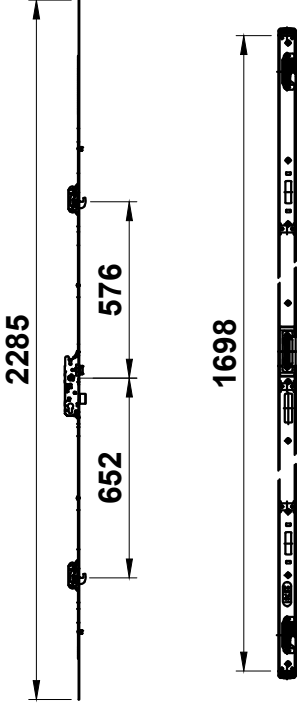
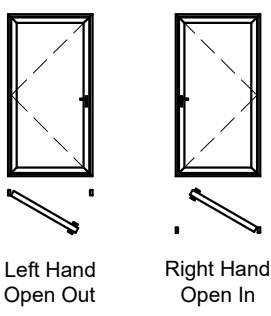
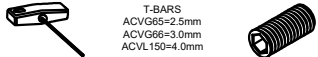
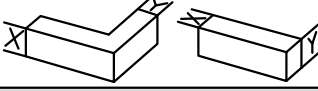
Image	Part Code	Pack	Unit	Application	Colour	
	ACDV582 Cill & Head Gasket Consider Using ACDV582 When Threshold Tolerance Is Tight	100	m	DV14 DV17 DV176	MF	
					SA	
					KL	
					HP	
					SSC	
					SMC	
					W	
					Z	✓
					PC	
						ACDV624 Non-locking Pop Up Handle Fixed Using: 2 X ACET133 1 X ACET060
SA						
KL	✓					
HP	✓					
SSC						
SMC						
W						
Z	✓					
PC						
	ACDV625 Locking Pop Up Handle Fixed Using: 2 X ACET133 1 X ACET060	1	each	DV220 DV221 DV228 DV229		
					SA	
					KL	✓
					HP	✓
					SSC	
					SMC	
					W	
					Z	✓
					PC	
						ACDV627 Slim Shootbolt Gearbox
SA						
KL						
HP						
SSC						
SMC						
W						
Z						
PC						
	MF = Mill Finish SA = Silver Anodised KL = Basic Colour HP = Special Colour SSC = Smooth Satin Chrome SMC = Smokey Chrome PC = Polished Chrome W = White Z = Black					
					SA	
					KL	
					HP	
					SSC	
					SMC	
					W	
					Z	
					PC	
						

Image	Part Code	Pack	Unit	Application	Colour
	<p>ACDV676</p> <p>Short 25mm Back Set Multi Point Lock Kit With Left Hand Full Height Keep Double Doors Only</p> <p>Viewed Externally</p>	1	each	<p>DV14 DV15 DV17 DV19 DV32 DV38 DV220 DV221 DV228 DV229 PCX38</p>	MF <input checked="" type="checkbox"/>
					SA <input type="checkbox"/>
	<p>ACDV677</p> <p>Short 25mm Back Set Multi Point Lock Kit With Right Hand Full Height Keep Double Doors Only</p> <p>Viewed Externally</p>	1	each	<p>DV14 DV15 DV17 DV19 DV32 DV38 DV220 DV221 DV228 DV229 PCX38</p>	MF <input checked="" type="checkbox"/>
					SA <input type="checkbox"/>
	<p>MF = Mill Finish</p> <p>SA = Silver Anodised</p> <p>KL = Basic Colour</p> <p>HP = Special Colour</p> <p>SSC = Smooth Satin Chrome</p> <p>SMC = Smokey Chrome</p> <p>PC = Polished Chrome</p>	<p>W = White</p> <p>Z = Black</p>			

ACCESSORIES : PHOTOS & DRAWINGS

Image	Part Code	Pack	Unit	Application Colour																		
	<p>ACDV686</p> <p>Double Door Keep Kit Required For PAS24</p> <p>Kit Contains: 4 X Single Shoot Keep Top Plate 2 X Keep Underplate</p> <p>Fixings When Using:</p> <p>DV14 / DV17 3 x ACET190 1 x ACET060 Low Threshold 4 x ACET060</p>	1	pack	<p>ACDV727 ACDV737 ACDV738 ACDV576 ACDV577 ACDV676 ACDV677 ACDV727 ACDV737 ACDV772 ACDV773</p> <table border="1" data-bbox="1273 331 1348 622"> <tr><td>MF</td><td></td></tr> <tr><td>SA</td><td></td></tr> <tr><td>KL</td><td></td></tr> <tr><td>HP</td><td></td></tr> <tr><td>SSC</td><td></td></tr> <tr><td>SMC</td><td></td></tr> <tr><td>W</td><td></td></tr> <tr><td>Z</td><td></td></tr> <tr><td>PC</td><td></td></tr> </table>	MF		SA		KL		HP		SSC		SMC		W		Z		PC	
MF																						
SA																						
KL																						
HP																						
SSC																						
SMC																						
W																						
Z																						
PC																						
	<p>ACDV722</p> <p>Multi Point 30mm Backset Lock Kit With Left Hand Full Height Keep</p> <p>Viewed Externally</p>  <p>Left Hand Open Out</p> <p>Right Hand Open In</p>	1	each	<p>DV14 DV15 DV17 DV19 DV32 DV38 DV220 DV221 DV228 DV229 PCX38</p> <table border="1" data-bbox="1273 1099 1348 1391"> <tr><td>MF</td><td>✓</td></tr> <tr><td>SA</td><td></td></tr> <tr><td>KL</td><td></td></tr> <tr><td>HP</td><td></td></tr> <tr><td>SSC</td><td></td></tr> <tr><td>SMC</td><td></td></tr> <tr><td>W</td><td></td></tr> <tr><td>Z</td><td></td></tr> <tr><td>PC</td><td></td></tr> </table>	MF	✓	SA		KL		HP		SSC		SMC		W		Z		PC	
MF	✓																					
SA																						
KL																						
HP																						
SSC																						
SMC																						
W																						
Z																						
PC																						
	<p>MF = Mill Finish W = White SA = Silver Anodised Z = Black KL = Basic Colour HP = Special Colour SSC = Smooth Satin Chrome SMC = Smokey Chrome PC = Polished Chrome</p>																					

ACCESSORIES : PHOTOS & DRAWINGS

Image	Part Code	Pack	Unit	Application	Colour
	<p>ACDV723</p> <p>Multi Point Lock Kit With Right Hand Full Height Keep</p> <p>Viewed Externally</p> <p>Left Hand Open In Right Hand Open Out</p>	1	each	<p>DV14 DV15 DV17 DV19 DV32 DV38 DV220 DV221 DV228 DV229 PCX38</p>	MF <input checked="" type="checkbox"/>
					SA <input type="checkbox"/>
	<p>ACDV727</p> <p>Secondary Door Lock 30mm Backset</p>	1	each	<p>DV14 DV15 DV17 DV19 DV32 DV38 DV220 DV221 DV228 DV229 PCX38</p>	MF <input checked="" type="checkbox"/>
					SA <input type="checkbox"/>
<p>T-BARS ACVG66=2.5mm ACVG66=3.0mm ACVL150=4.0mm</p>	<p>Screw (Grub)</p>	<p>MF = Mill Finish W = White SA = Silver Anodised Z = Black KL = Basic Colour HP = Special Colour SSC = Smooth Satin Chrome SMC = Smokey Chrome PC = Polished Chrome</p>			

ACCESSORIES : PHOTOS & DRAWINGS



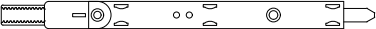



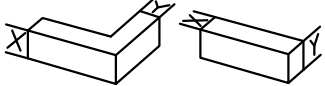
Image	Part Code	Pack	Unit	Application	Colour
	ACDV733 Top & Bottom Shootbolt Keep Fixings Required: DV14 / DV17 / DV175 = ACET190 DV173 / DV271 = ACET060	1	each	DV220 DV221 DV228 DV229 ACDV727 ACDV737 ACDV738	MF SA KL HP SSC SMC W Z PC
	ACDV737 Bottom Shootbolt	1	each	DV220 DV221 DV228 DV229 ACDV727 ACDV737 ACDV738	MF SA KL HP SSC SMC W Z PC
	ACDV738 Top Shootbolt	1	each	DV220 DV221 DV228 DV229 ACDV727 ACDV737 ACDV738	MF SA KL HP SSC SMC W Z PC
	ACDV742 200mm Shootbolt Extension	1	each	DV220 DV221 DV228 DV229 ACDV727 ACDV737 ACDV738	MF SA KL HP SSC SMC W Z PC
	ACDV744 400mm Shootbolt Extension	1	each	DV220 DV221 DV228 DV229 ACDV727 ACDV737 ACDV738	MF SA KL HP SSC SMC W Z PC
	MF = Mill Finish SA = Silver Anodised KL = Basic Colour HP = Special Colour SSC = Smooth Satin Chrome SMC = Smokey Chrome PC = Polished Chrome	W = White Z = Black			

Image	Part Code	Pack	Unit	Application	Colour																		
	ACDV745 25mm Back Set Secondary Door Lock Kit Kit Includes: 1 X Bottom Shoot Bolt 1 X Top Shootbolt Use ACDV686 Keeps	1	each	DV14 DV15 DV17 DV19 DV32 DV38 DV220 DV221 DV228 DV229 PCX38	<table border="1"> <tr><td>MF</td><td>✓</td></tr> <tr><td>SA</td><td></td></tr> <tr><td>KL</td><td></td></tr> <tr><td>HP</td><td></td></tr> <tr><td>SSC</td><td></td></tr> <tr><td>SMC</td><td></td></tr> <tr><td>W</td><td></td></tr> <tr><td>Z</td><td></td></tr> <tr><td>PC</td><td></td></tr> </table>	MF	✓	SA		KL		HP		SSC		SMC		W		Z		PC	
					MF	✓																	
SA																							
KL																							
HP																							
SSC																							
SMC																							
W																							
Z																							
PC																							
<table border="1"> <tr><td>MF</td><td></td></tr> <tr><td>SA</td><td></td></tr> <tr><td>KL</td><td></td></tr> <tr><td>HP</td><td></td></tr> <tr><td>SSC</td><td></td></tr> <tr><td>SMC</td><td></td></tr> <tr><td>W</td><td></td></tr> <tr><td>Z</td><td></td></tr> <tr><td>PC</td><td></td></tr> </table>	MF		SA		KL		HP		SSC		SMC		W		Z		PC						
MF																							
SA																							
KL																							
HP																							
SSC																							
SMC																							
W																							
Z																							
PC																							
	ACDV751 Split Spindle Kit Kit Includes: 1 X 63mm Spindle Inside 1 X 70mm Spindle Outside	1	each	ACET480 ACET484 ACET486 ACET487 ACET488 ACDV251 ACDV752 ACDV753	<table border="1"> <tr><td>MF</td><td></td></tr> <tr><td>SA</td><td></td></tr> <tr><td>KL</td><td></td></tr> <tr><td>HP</td><td></td></tr> <tr><td>SSC</td><td></td></tr> <tr><td>SMC</td><td></td></tr> <tr><td>W</td><td></td></tr> <tr><td>Z</td><td></td></tr> <tr><td>PC</td><td></td></tr> </table>	MF		SA		KL		HP		SSC		SMC		W		Z		PC	
MF																							
SA																							
KL																							
HP																							
SSC																							
SMC																							
W																							
Z																							
PC																							
	ACDV764 Slim Shootbolt Gearbox Cover Use 4 X ACET290 To Fix In Place	1	each	DV220 DV221 DV228 DV229 ACDV299 ACDV328 ACDV764	<table border="1"> <tr><td>MF</td><td>✓</td></tr> <tr><td>SA</td><td></td></tr> <tr><td>KL</td><td></td></tr> <tr><td>HP</td><td></td></tr> <tr><td>SSC</td><td></td></tr> <tr><td>SMC</td><td></td></tr> <tr><td>W</td><td></td></tr> <tr><td>Z</td><td></td></tr> <tr><td>PC</td><td></td></tr> </table>	MF	✓	SA		KL		HP		SSC		SMC		W		Z		PC	
MF	✓																						
SA																							
KL																							
HP																							
SSC																							
SMC																							
W																							
Z																							
PC																							
					<table border="1"> <tr><td>MF</td><td></td></tr> <tr><td>SA</td><td></td></tr> <tr><td>KL</td><td></td></tr> <tr><td>HP</td><td></td></tr> <tr><td>SSC</td><td></td></tr> <tr><td>SMC</td><td></td></tr> <tr><td>W</td><td></td></tr> <tr><td>Z</td><td></td></tr> <tr><td>PC</td><td></td></tr> </table>	MF		SA		KL		HP		SSC		SMC		W		Z		PC	
MF																							
SA																							
KL																							
HP																							
SSC																							
SMC																							
W																							
Z																							
PC																							
	MF = Mill Finish SA = Silver Anodised KL = Basic Colour HP = Special Colour SSC = Smooth Satin Chrome SMC = Smokey Chrome PC = Polished Chrome	W = White Z = Black																					

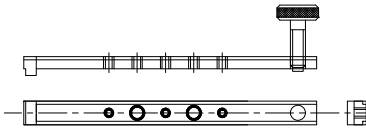
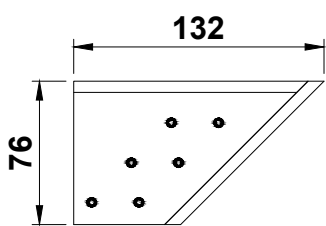
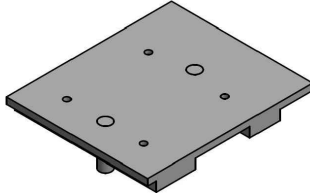
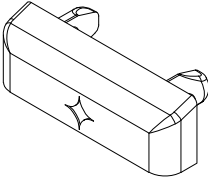
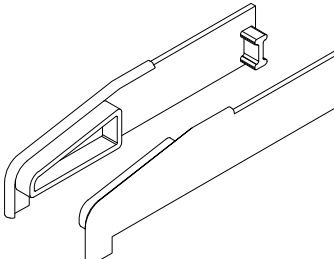

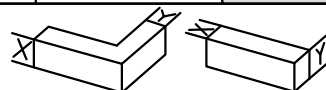
Image	Part Code	Pack	Unit	Application	Colour
	<p>ACDV752</p> <p>Multi Point 30mm Backset Lock Kit With Left Hand Full Height Keep</p> <p>Use With ACDV751 Split Spindle Kit</p> <p>Viewed Externally</p> <p>Left Hand Open Out</p> <p>Right Hand Open In</p>	1	each	<p>DV14 DV15 DV17 DV19 DV32 DV38 DV228 DV229 PCX38</p>	MF <input checked="" type="checkbox"/>
					SA <input type="checkbox"/>
	<p>ACDV753</p> <p>Multi Point 30mm Backset Lock Kit With Right Hand Full Height Keep</p> <p>Use With ACDV751 Split Spindle Kit</p> <p>Viewed Externally</p> <p>Left Hand Open In</p> <p>Right Hand Open Out</p>	1	each	<p>DV14 DV15 DV17 DV19 DV32 DV38 DV228 DV229 PCX38</p>	MF <input checked="" type="checkbox"/>
					SA <input type="checkbox"/>
	<p>MF = Mill Finish</p> <p>SA = Silver Anodised</p> <p>KL = Basic Colour</p> <p>HP = Special Colour</p> <p>SSC = Smooth Satin Chrome</p> <p>SMC = Smokey Chrome</p> <p>PC = Polished Chrome</p>	<p>W = White</p> <p>Z = Black</p>			

Image	Part Code	Pack	Unit	Application	Colour
	<p>ACDV762</p> <p>Key Operated Multi Point 30mm Bucket Lock Kit With Left Hand Full Height Keep</p> <p>Viewed Externally</p> <p>Left Hand Open Out</p> <p>Right Hand Open In</p>	1	each	<p>DV14 DV15 DV17 DV19 DV32 DV38 DV228 DV229 PCX38</p>	MF <input checked="" type="checkbox"/>
					SA <input type="checkbox"/>
	<p>ACDV763</p> <p>Key Operated Multi Point 30mm Backset Lock Kit With Right Hand Full Height Keep</p> <p>Viewed Externally</p> <p>Left Hand Open In</p> <p>Right Hand Open Out</p>	1	each	<p>DV14 DV15 DV17 DV19 DV32 DV38 DV228 DV229 PCX38</p>	MF <input checked="" type="checkbox"/>
					SA <input type="checkbox"/>
	<p>MF = Mill Finish</p> <p>SA = Silver Anodised</p> <p>KL = Basic Colour</p> <p>HP = Special Colour</p> <p>SSC = Smooth Satin Chrome</p> <p>SMC = Smokey Chrome</p> <p>PC = Polished Chrome</p>	<p>W = White</p> <p>Z = Black</p>			

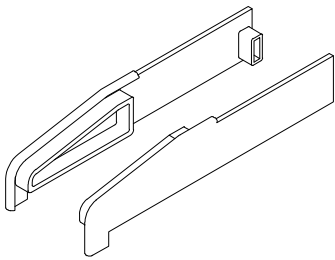
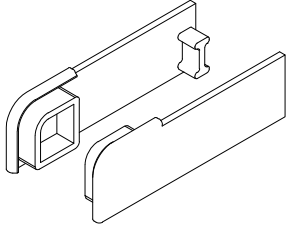
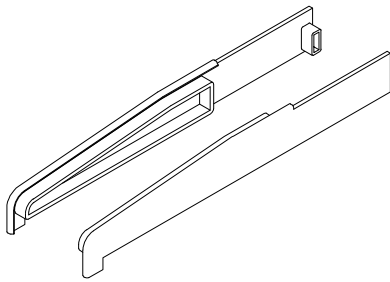
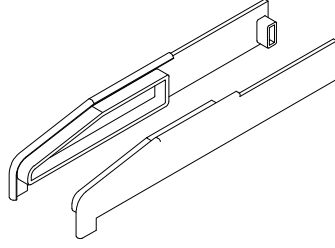
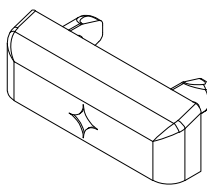


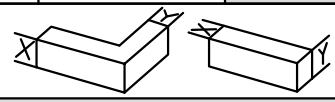
Image	Part Code	Pack	Unit	Application	Colour																		
	<p>ACDV772</p> <p>Lift Lever Multi Point 30mm Backset Lock Kit With Left Hand Full Height Keep</p> <p>To Be Used As Double Door Primary Lock And Short Single Door Lock</p> <p>Viewed Externally</p> <p>Left Hand Open Out Right Hand Open In</p>	1	each	<p>DV14 DV15 DV17 DV19 DV228 DV229 DV32 DV38 PCX36 PCX38 ACDV686 ACDV737 ACDV738 ACDV742 ACDV744</p>	<table border="1"> <tr><td>MF</td><td>✓</td></tr> <tr><td>SA</td><td></td></tr> <tr><td>KL</td><td></td></tr> <tr><td>HP</td><td></td></tr> <tr><td>SSC</td><td></td></tr> <tr><td>SMC</td><td></td></tr> <tr><td>W</td><td></td></tr> <tr><td>Z</td><td></td></tr> <tr><td>PC</td><td></td></tr> </table>	MF	✓	SA		KL		HP		SSC		SMC		W		Z		PC	
MF	✓																						
SA																							
KL																							
HP																							
SSC																							
SMC																							
W																							
Z																							
PC																							
	<p>ACDV773</p> <p>Lift Lever Multi Point 30mm Backset Lock Kit With Right Hand Full Height Keep</p> <p>To Be Used As Double Door Primary Lock And Short Single Door Lock</p> <p>Viewed Externally</p> <p>Left Hand Open In Right Hand Open Out</p>	1	each	<p>DV14 DV15 DV17 DV19 DV228 DV229 DV32 DV38 PCX36 PCX38 ACDV686 ACDV737 ACDV738 ACDV742 ACDV744</p>	<table border="1"> <tr><td>MF</td><td>✓</td></tr> <tr><td>SA</td><td></td></tr> <tr><td>KL</td><td></td></tr> <tr><td>HP</td><td></td></tr> <tr><td>SSC</td><td></td></tr> <tr><td>SMC</td><td></td></tr> <tr><td>W</td><td></td></tr> <tr><td>Z</td><td></td></tr> <tr><td>PC</td><td></td></tr> </table>	MF	✓	SA		KL		HP		SSC		SMC		W		Z		PC	
MF	✓																						
SA																							
KL																							
HP																							
SSC																							
SMC																							
W																							
Z																							
PC																							
	<p>MF = Mill Finish W = White SA = Silver Anodised Z = Black KL = Basic Colour HP = Special Colour SSC = Smooth Satin Chrome SMC = Smokey Chrome PC = Polished Chrome</p>																						

Image	Part Code	Pack	Unit	Application	Colour
	<p>ACDV772</p> <p>Lift Lever Multi Point 30mm Backset Lock Kit With Left Hand Full Height Keep</p> <p>To Be Used As Double Door Primary Lock And Short Single Door Lock</p> <p>Viewed Externally</p> <p>Left Hand Open Out Right Hand Open In</p>	1	each	<p>DV14 DV15 DV17 DV19 DV228 DV229 DV32 DV38 PCX36 PCX38 ACDV686 ACDV737 ACDV738 ACDV742 ACDV744</p>	MF <input checked="" type="checkbox"/>
					SA <input type="checkbox"/>
	<p>ACDV773</p> <p>Lift Lever Multi Point 30mm Backset Lock Kit With Right Hand Full Height Keep</p> <p>To Be Used As Double Door Primary Lock And Short Single Door Lock</p> <p>Viewed Externally</p> <p>Left Hand Open In Right Hand Open Out</p>	1	each	<p>DV14 DV15 DV17 DV19 DV228 DV229 DV32 DV38 PCX36 PCX38 ACDV686 ACDV737 ACDV738 ACDV742 ACDV744</p>	MF <input checked="" type="checkbox"/>
					SA <input type="checkbox"/>
	<p>MF = Mill Finish W = White</p> <p>SA = Silver Anodised Z = Black</p> <p>KL = Basic Colour</p> <p>HP = Special Colour</p> <p>SSC = Smooth Satin Chrome</p> <p>SMC = Smokey Chrome</p> <p>PC = Polished Chrome</p>				

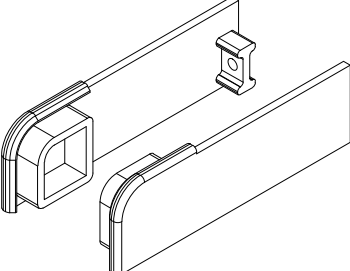
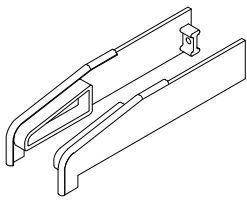
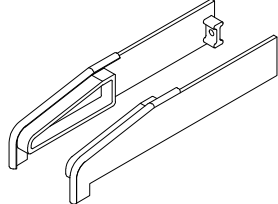
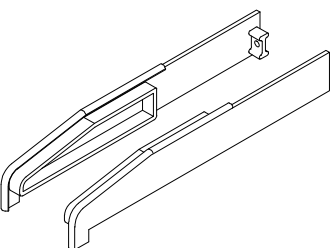
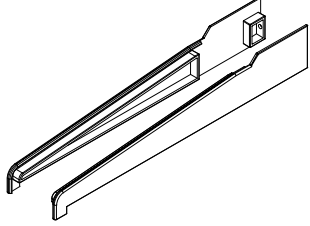


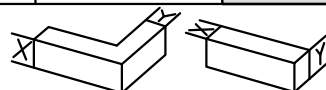
ACCESSORIES : PHOTOS & DRAWINGS

Image	Part Code	Pack	Unit	Application	Colour
	ACDV902N Drill Jig For ACDV532 & ACDV334	1	each	DV220 DV221 DV228 DV229	MF SA KL HP SSC SMC W Z PC
	ACDV951 Marking Jig For 90° Corners	1	each	ACDV552 DV14 DV171 DV173 DV175 DV271	MF SA KL HP SSC SMC W Z PC
	ACDV952 Drill Jig For DV17 & ACDV179	1	each	ACDV179 DV17	MF SA KL HP SSC SMC W Z PC
	ACET131 Drainage Cap For Colour Matched Drainage Caps, Use ACET431	100	pack		MF SA KL HP SSC SMC W ✓ Z ✓ PC
	ACET152 PVC Cill End Caps For ETC452 135mm Cill Cast End Caps: ACET452	10	pair	ETC452 ACSIL04	MF SA KL HP SSC SMC W ✓ Z ✓ PC
	MF = Mill Finish SA = Silver Anodised KL = Basic Colour HP = Special Colour SSC = Smooth Satin Chrome SMC = Smokey Chrome PC = Polished Chrome			W = White Z = Black	

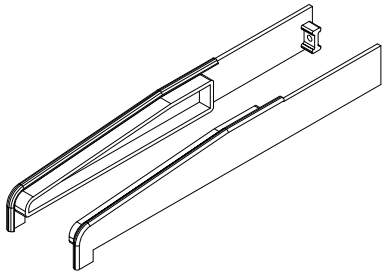






ACCESSORIES : PHOTOS & DRAWINGS

Image	Part Code	Pack	Unit	Application	Colour	
	ACET157 PVC Cill End Caps For ETC457 150mm Cill Cast End Caps: ACET457	10	pair	ETC457 ACSIL04	MF	
					SA	
					KL	
					HP	
					SSC	
					SMC	
					W	✓
					Z	✓
					PC	
	ACET178 PVC Cill End Caps For ETC451 85mm Cill Cast End Caps: ACET451	10	pair	ETC451 ACSIL04	MF	
					SA	
					KL	
					HP	
					SSC	
					SMC	
					W	✓
					Z	✓
					PC	
	ACET179 PVC Cill End Caps For ETC479 225mm Cill Cast End Caps: ACET479	10	pair	ETC479 ACSIL04	MF	
					SA	
					KL	
					HP	
					SSC	
					SMC	
					W	✓
					Z	✓
					PC	
	ACET179 PVC Cill End Caps For ETC458 190mm Cill Cast End Caps: ACET458	10	pair	ETC458 ACSIL04	MF	
					SA	
					KL	
					HP	
					SSC	
					SMC	
					W	✓
					Z	✓
					PC	
	ACET431 Colour Match Drainage Caps	8	pack		MF	✓
					SA	
					KL	✓
					HP	✓
					SSC	
					SMC	
					W	✓
					Z	✓
					PC	
 T-BARS ACVG66=2.5mm ACVG66=3.0mm ACVL150=4.0mm	 Screw (Grub)	MF = Mill Finish SA = Silver Anodised KL = Basic Colour HP = Special Colour SSC = Smooth Satin Chrome SMC = Smokey Chrome PC = Polished Chrome	W = White Z = Black			


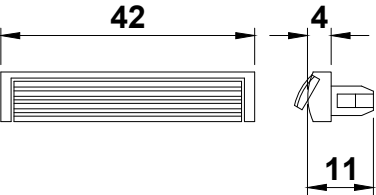


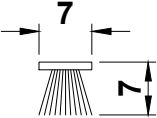

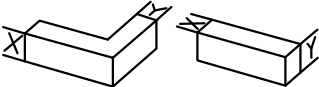
ACCESSORIES : PHOTOS & DRAWINGS

Image	Part Code	Pack	Unit	Application	Colour
	ACET451 Cast Cill End Caps For ETC451 85mm Cill PVC End Caps: ACET178	1	pair	ETC451 ACSIL04	MF <input checked="" type="checkbox"/>
					SA <input type="checkbox"/>
					KL <input checked="" type="checkbox"/>
					HP <input checked="" type="checkbox"/>
					SSC <input type="checkbox"/>
					SMC <input type="checkbox"/>
					W <input checked="" type="checkbox"/>
					Z <input checked="" type="checkbox"/>
					PC <input type="checkbox"/>
					PC <input type="checkbox"/>
	ACET452 Cast Cill End Caps For ETC452 135mm Cill PVC End Caps: ACET152	1	pair	ETC452 ACSIL04	MF <input checked="" type="checkbox"/>
					SA <input type="checkbox"/>
					KL <input checked="" type="checkbox"/>
					HP <input checked="" type="checkbox"/>
					SSC <input type="checkbox"/>
					SMC <input type="checkbox"/>
					W <input checked="" type="checkbox"/>
					Z <input checked="" type="checkbox"/>
					PC <input type="checkbox"/>
					PC <input type="checkbox"/>
	ACET457 Cast Cill End Caps For ETC457 150mm Cill PVC End Caps: ACET157	1	pair	ETC457 ACSIL04	MF <input checked="" type="checkbox"/>
					SA <input type="checkbox"/>
					KL <input checked="" type="checkbox"/>
					HP <input checked="" type="checkbox"/>
					SSC <input type="checkbox"/>
					SMC <input type="checkbox"/>
					W <input checked="" type="checkbox"/>
					Z <input checked="" type="checkbox"/>
					PC <input type="checkbox"/>
					PC <input type="checkbox"/>
	ACET458 Cast Cill End Caps For ETC458 190mm Cill PVC End Caps: ACET258	1	pair	ETC458 ACSIL04	MF <input checked="" type="checkbox"/>
					SA <input type="checkbox"/>
					KL <input checked="" type="checkbox"/>
					HP <input checked="" type="checkbox"/>
					SSC <input type="checkbox"/>
					SMC <input type="checkbox"/>
					W <input checked="" type="checkbox"/>
					Z <input checked="" type="checkbox"/>
					PC <input type="checkbox"/>
					PC <input type="checkbox"/>
	ACET477 Cast Cill End Caps For ETC477 300mm Cill No PVC End Cap Option	1	pair	ETC477 ACSIL04	MF <input checked="" type="checkbox"/>
					SA <input type="checkbox"/>
					KL <input checked="" type="checkbox"/>
					HP <input checked="" type="checkbox"/>
					SSC <input type="checkbox"/>
					SMC <input type="checkbox"/>
					W <input checked="" type="checkbox"/>
					Z <input checked="" type="checkbox"/>
					PC <input type="checkbox"/>
					PC <input type="checkbox"/>
 T-BARS ACVG65=2.5mm ACVG66=3.0mm ACVL150=4.0mm	MF = Mill Finish SA = Silver Anodised KL = Basic Colour HP = Special Colour SSC = Smooth Satin Chrome SMC = Smokey Chrome PC = Polished Chrome	W = White Z = Black	 Screw (Grub)		

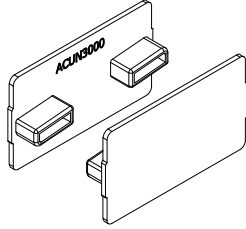
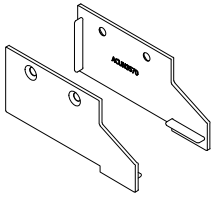
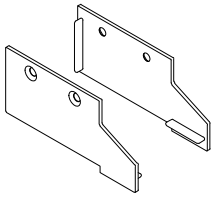
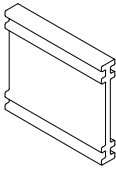
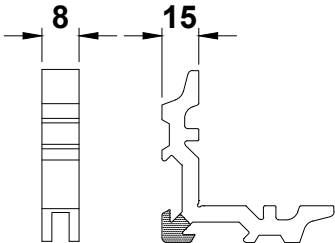


ACCESSORIES : PHOTOS & DRAWINGS

Image	Part Code	Pack	Unit	Application	Colour	
	ACET479 Cast Cill End Caps For ETC479 225mm Cill PVC End Caps: ACET179	1	pair	ETC479 ACSIL04	MF	✓
					SA	
					KL	✓
					HP	✓
					SSC	
					SMC	
					W	✓
					Z	✓
					PC	
						ACET480 PAS24 Standard Lever/lever Handle
SA	✓					
KL	✓					
HP	✓					
SSC	✓					
SMC	✓					
W	✓					
Z	✓					
PC	✓					
	ACET484 Standard Lever/lever Handle Includes Fixings & Spindle	1	pair	DV220 DV221 DV228 DV229 ACDV722 ACDV723		
					SA	✓
					KL	✓
					HP	✓
					SSC	✓
					SMC	✓
					W	✓
					Z	✓
					PC	✓
						ACET486 Swept Lever/lever Handle Includes Fixings & Spindle
SA	✓					
KL	✓					
HP	✓					
SSC	✓					
SMC	✓					
W	✓					
Z	✓					
PC	✓					
	ACET487 Oval Lever/lever Handle Includes Fixings & Spindle	1	pair	DV220 DV221 DV228 DV229 ACDV722 ACDV723		
					SA	✓
					KL	✓
					HP	✓
					SSC	✓
					SMC	✓
					W	✓
					Z	✓
					PC	✓
					 T-BARS ACVG66=2.5mm ACVG66=3.0mm ACVL150=4.0mm	 Screw (Grub)

ACCESSORIES : PHOTOS & DRAWINGS

Image	Part Code	Pack	Unit	Application	Colour
	ACET488 Round Lever/lever Handle Includes Fixings & Spindle	1	pair	DV220 DV221 DV228 DV229 ACDV722 ACDV723	MF SA ✓ KL ✓ HP ✓ SSC ✓ SMC ✓ W ✓ Z ✓ PC ✓
	ACGSL045 Drainage Cap	100	pack		MF SA KL HP SSC SMC W ✓ Z ✓ PC
	ACGSL042 Woolpile	100	m	ACDV555	MF SA KL HP SSC SMC W Z PC
	ACSH471 Letterplate 250mm X 65mm With Brush Fitting Cut Out 220mm X 45mm	1	each	DV35	MF SA KL ✓ HP SSC SMC W ✓ Z ✓ PC ✓
	ACSR012A Woolpile	100	m	ACDV555 ACDV282 ACVL159	MF SA KL HP SSC SMC W Z ✓ PC
	MF = Mill Finish SA = Silver Anodised KL = Basic Colour HP = Special Colour SSC = Smooth Satin Chrome SMC = Smokey Chrome PC = Polished Chrome	W = White Z = Black			

ACCESSORIES : PHOTOS & DRAWINGS

Image	Part Code	Pack	Unit	Application	Colour	
	ACUN3000 UN3000 End Cap	10	pairs	UN3000 ACSIL04	MF	
					SA	
					KL	
					HP	
					SSC	
					SMC	
					W	
					Z	✓
					PC	
						ACUN3570 UN3570 End Caps Available in black & white
SA						
KL						
HP						
SSC						
SMC						
W						
Z						
PC						
	ACUN3582 UN3582 End Caps Available in black & white	1	pair	UN3582		
					SA	
					KL	
					HP	
					SSC	
					SMC	
					W	
					Z	
					PC	
						ACUN3701 Anti-Crush Support
SA						
KL						
HP						
SSC						
SMC						
W						
Z						
PC						
 <p>2 X ACMX854 PER CLEAT</p>	ACVG12 Mechanical Cleat	24	pack	DV15		
					SA	
					KL	
					HP	
					SSC	
					SMC	
					W	
					Z	
					PC	
					 <p>T-BARS ACVG66=2.5mm ACVG66=3.0mm ACVL150=4.0mm</p>  <p>Screw (Grub)</p>	MF = Mill Finish SA = Silver Anodised KL = Basic Colour HP = Special Colour SSC = Smooth Satin Chrome SMC = Smokey Chrome PC = Polished Chrome

ACCESSORIES : PHOTOS & DRAWINGS

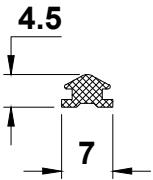
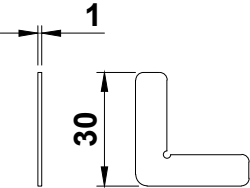
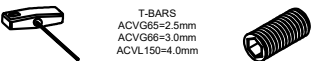
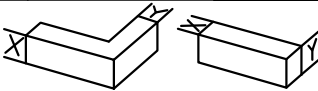
Image	Part Code	Pack	Unit	Application	Colour	
	ACVS010 PVC Strip	7.3	m	DV175	MF	
					SA	
					KL	
					HP	
					SSC	
					SMC	
					W	
					Z	✓
					PC	
						ACW20024 Chevron
SA						
KL						
HP						
SSC						
SMC						
W						
Z						
PC						
					SA	
					KL	
					HP	
					SSC	
					SMC	
					W	
					Z	
					PC	
					MF	
					SA	
					KL	
					HP	
					SSC	
					SMC	
					W	
					Z	
					PC	
 <p>T-BARS ACVG65=2.5mm ACVG66=3.0mm ACVL150=4.0mm</p> <p>Screw (Grub)</p>	MF = Mill Finish SA = Silver Anodised KL = Basic Colour HP = Special Colour SSC = Smooth Satin Chrome SMC = Smokey Chrome PC = Polished Chrome	W = White Z = Black				






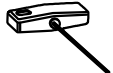

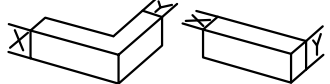





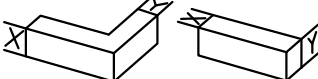
Image	Part Code	Pack	Unit	Application	Colour																		
	ACMX09700 Alu - Polish	1	each		<table border="1"> <tr><td>MF</td><td>✓</td></tr> <tr><td>SA</td><td></td></tr> <tr><td>KL</td><td></td></tr> <tr><td>HP</td><td></td></tr> <tr><td>SSC</td><td></td></tr> <tr><td>SMC</td><td></td></tr> <tr><td>W</td><td></td></tr> <tr><td>Z</td><td></td></tr> <tr><td>PC</td><td></td></tr> </table>	MF	✓	SA		KL		HP		SSC		SMC		W		Z		PC	
MF	✓																						
SA																							
KL																							
HP																							
SSC																							
SMC																							
W																							
Z																							
PC																							
	ACMX09761 Maxi Gloss	1	each		<table border="1"> <tr><td>MF</td><td></td></tr> <tr><td>SA</td><td></td></tr> <tr><td>KL</td><td></td></tr> <tr><td>HP</td><td></td></tr> <tr><td>SSC</td><td></td></tr> <tr><td>SMC</td><td></td></tr> <tr><td>W</td><td></td></tr> <tr><td>Z</td><td></td></tr> <tr><td>PC</td><td></td></tr> </table>	MF		SA		KL		HP		SSC		SMC		W		Z		PC	
MF																							
SA																							
KL																							
HP																							
SSC																							
SMC																							
W																							
Z																							
PC																							
	ACMX09762 Alu - Bright	1	each		<table border="1"> <tr><td>MF</td><td></td></tr> <tr><td>SA</td><td></td></tr> <tr><td>KL</td><td></td></tr> <tr><td>HP</td><td></td></tr> <tr><td>SSC</td><td></td></tr> <tr><td>SMC</td><td></td></tr> <tr><td>W</td><td></td></tr> <tr><td>Z</td><td></td></tr> <tr><td>PC</td><td></td></tr> </table>	MF		SA		KL		HP		SSC		SMC		W		Z		PC	
MF																							
SA																							
KL																							
HP																							
SSC																							
SMC																							
W																							
Z																							
PC																							
	ACMX09763 Teflon Spray	1	each		<table border="1"> <tr><td>MF</td><td></td></tr> <tr><td>SA</td><td></td></tr> <tr><td>KL</td><td></td></tr> <tr><td>HP</td><td></td></tr> <tr><td>SSC</td><td></td></tr> <tr><td>SMC</td><td></td></tr> <tr><td>W</td><td></td></tr> <tr><td>Z</td><td></td></tr> <tr><td>PC</td><td></td></tr> </table>	MF		SA		KL		HP		SSC		SMC		W		Z		PC	
MF																							
SA																							
KL																							
HP																							
SSC																							
SMC																							
W																							
Z																							
PC																							
	ACMX09764 Maxi - Cleaner	1	each		<table border="1"> <tr><td>MF</td><td></td></tr> <tr><td>SA</td><td></td></tr> <tr><td>KL</td><td></td></tr> <tr><td>HP</td><td></td></tr> <tr><td>SSC</td><td></td></tr> <tr><td>SMC</td><td></td></tr> <tr><td>W</td><td></td></tr> <tr><td>Z</td><td></td></tr> <tr><td>PC</td><td></td></tr> </table>	MF		SA		KL		HP		SSC		SMC		W		Z		PC	
MF																							
SA																							
KL																							
HP																							
SSC																							
SMC																							
W																							
Z																							
PC																							
 <p>T-BARS ACVG65=2.5mm ACVG66=3.0mm ACVL150=4.0mm</p>  <p>Screw (Grub)</p>	<p>MF = Mill Finish SA = Silver Anodised KL = Basic Colour HP = Special Colour SSC = Smooth Satin Chrome SMC = Smokey Chrome PC = Polished Chrome</p>	<p>W = White Z = Black</p>																					

Image	Part Code	Pack	Unit	Application	Colour
	ACMX09765 Alu - Cleaner	1	each		MF SA KL HP SSC SMC W Z PC
	ACMX09770 Roll & Wrap 100mm	1	each		MF SA KL HP SSC SMC W Z PC
	ACMX09775 Grip Handwrap	1	each		MF SA KL HP SSC SMC W Z PC
	ACMX09801 Protective Tape 50mm	1	each		MF SA KL HP SSC SMC W Z PC
	ACMX09802 Protective Tape 70mm	1	each		MF SA KL HP SSC SMC W Z PC
 <p>T-BARS ACVG65=2.5mm ACVG66=3.0mm ACVL150=4.0mm</p>  <p>Screw (Grub)</p>	<p>MF = Mill Finish SA = Silver Anodised KL = Basic Colour HP = Special Colour SSC = Smooth Satin Chrome SMC = Smokey Chrome PC = Polished Chrome</p>	<p>W = White Z = Black</p>	 		

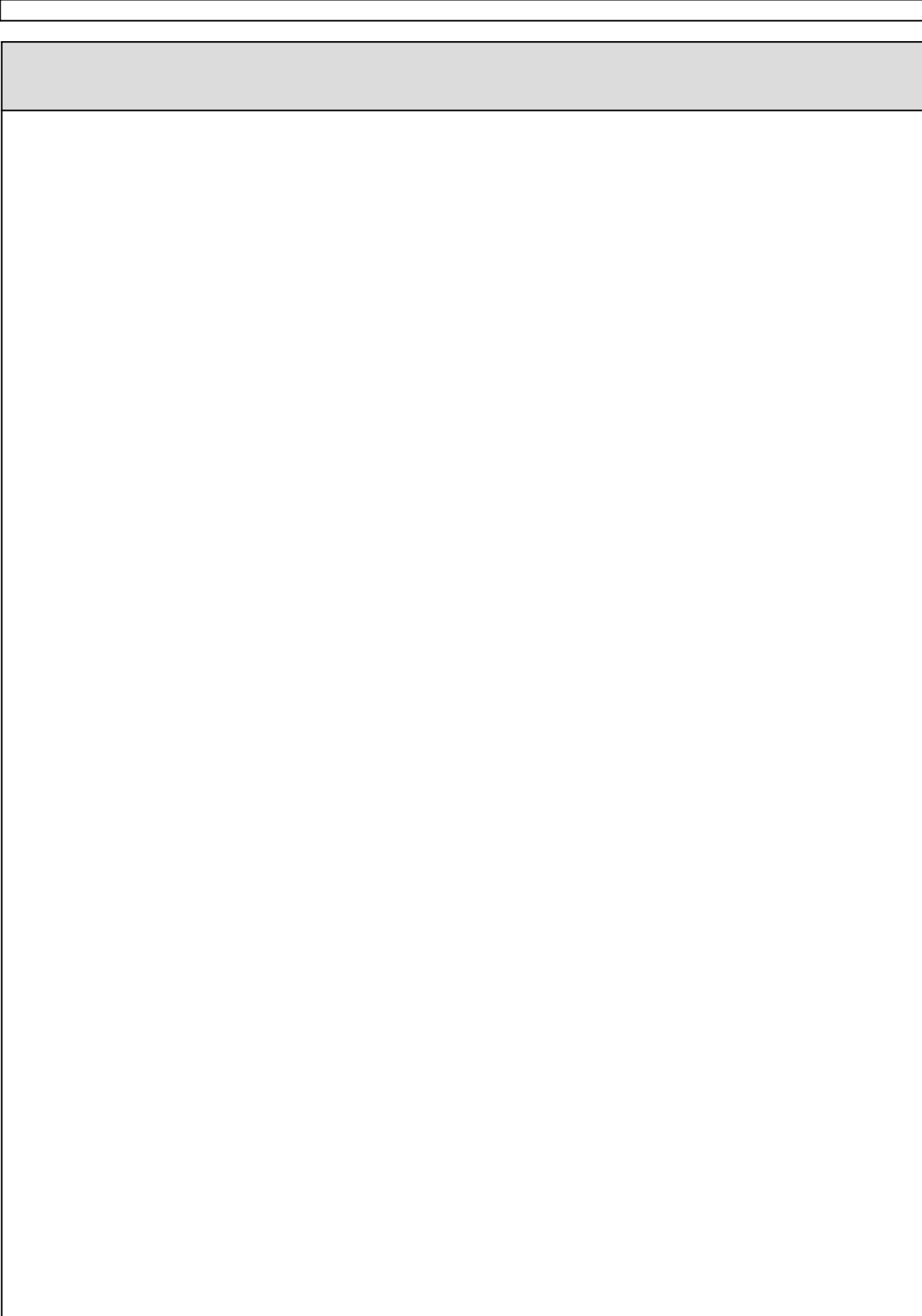
Image	Part Code	Pack	Unit	Application	Colour																		
	ACMX09803 Protective Tape 100mm	1	each		<table border="1"> <tr><td>MF</td><td></td></tr> <tr><td>SA</td><td></td></tr> <tr><td>KL</td><td></td></tr> <tr><td>HP</td><td></td></tr> <tr><td>SSC</td><td></td></tr> <tr><td>SMC</td><td></td></tr> <tr><td>W</td><td></td></tr> <tr><td>Z</td><td></td></tr> <tr><td>PC</td><td></td></tr> </table>	MF		SA		KL		HP		SSC		SMC		W		Z		PC	
MF																							
SA																							
KL																							
HP																							
SSC																							
SMC																							
W																							
Z																							
PC																							
	ACSIL04 Mitre Sealing Glue Order with suffix of colour ACSIL04BL ACSIL04WP ACSIL04CL ACSIL04KL005 (other KL colours available)	1	each		<table border="1"> <tr><td>MF</td><td></td></tr> <tr><td>SA</td><td></td></tr> <tr><td>KL</td><td>✓</td></tr> <tr><td>HP</td><td></td></tr> <tr><td>SSC</td><td></td></tr> <tr><td>SMC</td><td></td></tr> <tr><td>W</td><td>✓</td></tr> <tr><td>Z</td><td>✓</td></tr> <tr><td>PC</td><td></td></tr> </table>	MF		SA		KL	✓	HP		SSC		SMC		W	✓	Z	✓	PC	
MF																							
SA																							
KL	✓																						
HP																							
SSC																							
SMC																							
W	✓																						
Z	✓																						
PC																							
	ACSIL05 Gasket Sealant	1	each		<table border="1"> <tr><td>MF</td><td></td></tr> <tr><td>SA</td><td></td></tr> <tr><td>KL</td><td></td></tr> <tr><td>HP</td><td></td></tr> <tr><td>SSC</td><td></td></tr> <tr><td>SMC</td><td></td></tr> <tr><td>W</td><td></td></tr> <tr><td>Z</td><td></td></tr> <tr><td>PC</td><td></td></tr> </table>	MF		SA		KL		HP		SSC		SMC		W		Z		PC	
MF																							
SA																							
KL																							
HP																							
SSC																							
SMC																							
W																							
Z																							
PC																							
	ACSIL08 Silicon Gun	1	each		<table border="1"> <tr><td>MF</td><td></td></tr> <tr><td>SA</td><td></td></tr> <tr><td>KL</td><td></td></tr> <tr><td>HP</td><td></td></tr> <tr><td>SSC</td><td></td></tr> <tr><td>SMC</td><td></td></tr> <tr><td>W</td><td></td></tr> <tr><td>Z</td><td></td></tr> <tr><td>PC</td><td></td></tr> </table>	MF		SA		KL		HP		SSC		SMC		W		Z		PC	
MF																							
SA																							
KL																							
HP																							
SSC																							
SMC																							
W																							
Z																							
PC																							
	ACSIL013 Cleat Glue	1	each		<table border="1"> <tr><td>MF</td><td></td></tr> <tr><td>SA</td><td></td></tr> <tr><td>KL</td><td></td></tr> <tr><td>HP</td><td></td></tr> <tr><td>SSC</td><td></td></tr> <tr><td>SMC</td><td></td></tr> <tr><td>W</td><td></td></tr> <tr><td>Z</td><td></td></tr> <tr><td>PC</td><td></td></tr> </table>	MF		SA		KL		HP		SSC		SMC		W		Z		PC	
MF																							
SA																							
KL																							
HP																							
SSC																							
SMC																							
W																							
Z																							
PC																							
 <p>T-BARS ACVG66=2.5mm ACVG66=3.0mm ACVL150=4.0mm</p>  <p>Screw (Grub)</p>	<p>MF = Mill Finish SA = Silver Anodised KL = Basic Colour HP = Special Colour SSC = Smooth Satin Chrome SMC = Smokey Chrome PC = Polished Chrome</p>	<p>W = White Z = Black</p>	 																				

	<p>ACSIL014 Anti-Corrosion Coating</p>	<p>1</p>	<p>each</p>		<table border="1"> <tr><td>MF</td><td>✓</td></tr> <tr><td>SA</td><td></td></tr> <tr><td>KL</td><td></td></tr> <tr><td>HP</td><td></td></tr> <tr><td>SSC</td><td></td></tr> <tr><td>SMC</td><td></td></tr> <tr><td>W</td><td></td></tr> <tr><td>Z</td><td></td></tr> <tr><td>PC</td><td></td></tr> </table>	MF	✓	SA		KL		HP		SSC		SMC		W		Z		PC	
MF	✓																						
SA																							
KL																							
HP																							
SSC																							
SMC																							
W																							
Z																							
PC																							
	<p>ACUN3900 Gasket Roller</p>	<p>1</p>	<p>each</p>		<table border="1"> <tr><td>MF</td><td></td></tr> <tr><td>SA</td><td></td></tr> <tr><td>KL</td><td></td></tr> <tr><td>HP</td><td></td></tr> <tr><td>SSC</td><td></td></tr> <tr><td>SMC</td><td></td></tr> <tr><td>W</td><td></td></tr> <tr><td>Z</td><td></td></tr> <tr><td>PC</td><td></td></tr> </table>	MF		SA		KL		HP		SSC		SMC		W		Z		PC	
MF																							
SA																							
KL																							
HP																							
SSC																							
SMC																							
W																							
Z																							
PC																							
	<p>ACVL158 Punch Tool Spray Oil</p>	<p>1</p>	<p>each</p>		<table border="1"> <tr><td>MF</td><td></td></tr> <tr><td>SA</td><td></td></tr> <tr><td>KL</td><td></td></tr> <tr><td>HP</td><td></td></tr> <tr><td>SSC</td><td></td></tr> <tr><td>SMC</td><td></td></tr> <tr><td>W</td><td></td></tr> <tr><td>Z</td><td></td></tr> <tr><td>PC</td><td></td></tr> </table>	MF		SA		KL		HP		SSC		SMC		W		Z		PC	
MF																							
SA																							
KL																							
HP																							
SSC																							
SMC																							
W																							
Z																							
PC																							
					<table border="1"> <tr><td>MF</td><td></td></tr> <tr><td>SA</td><td></td></tr> <tr><td>KL</td><td></td></tr> <tr><td>HP</td><td></td></tr> <tr><td>SSC</td><td></td></tr> <tr><td>SMC</td><td></td></tr> <tr><td>W</td><td></td></tr> <tr><td>Z</td><td></td></tr> <tr><td>PC</td><td></td></tr> </table>	MF		SA		KL		HP		SSC		SMC		W		Z		PC	
MF																							
SA																							
KL																							
HP																							
SSC																							
SMC																							
W																							
Z																							
PC																							
					<table border="1"> <tr><td>MF</td><td></td></tr> <tr><td>SA</td><td></td></tr> <tr><td>KL</td><td></td></tr> <tr><td>HP</td><td></td></tr> <tr><td>SSC</td><td></td></tr> <tr><td>SMC</td><td></td></tr> <tr><td>W</td><td></td></tr> <tr><td>Z</td><td></td></tr> <tr><td>PC</td><td></td></tr> </table>	MF		SA		KL		HP		SSC		SMC		W		Z		PC	
MF																							
SA																							
KL																							
HP																							
SSC																							
SMC																							
W																							
Z																							
PC																							
 <p>T-BARS ACVG66=2.5mm ACVG66=3.0mm ACVL150=4.0mm</p> <p>Screw (Grub)</p>	<p>MF = Mill Finish SA = Silver Anodised KL = Basic Colour HP = Special Colour SSC = Smooth Satin Chrome SMC = Smokey Chrome PC = Polished Chrome</p>	<p>W = White Z = Black</p>																					

Section C

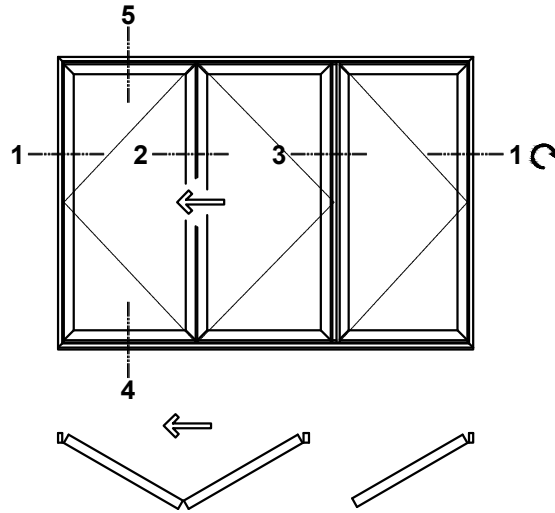
Sections

Scale Elevations

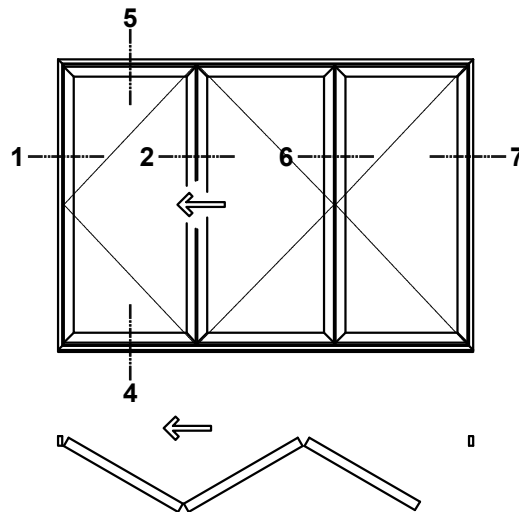


Open Out

Type 1e
3-2-1



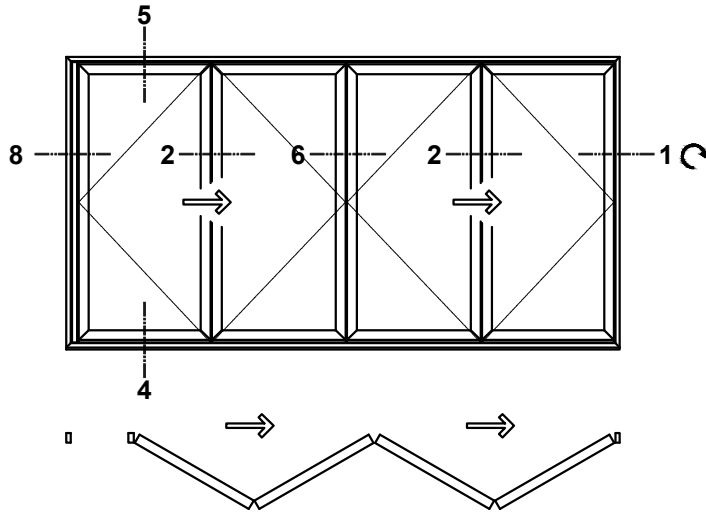
Type 2e
3-3-0



Do Not Scale From This Drawing

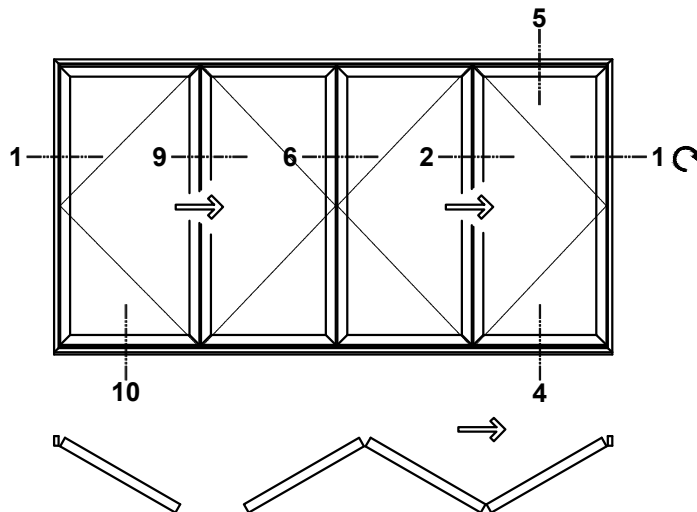
Open Out

Type 3e
4-4-0



NO EXTERNAL ACCESS OR TRAFFIC DOOR WITH
TYPE 3e CONFIGURATION

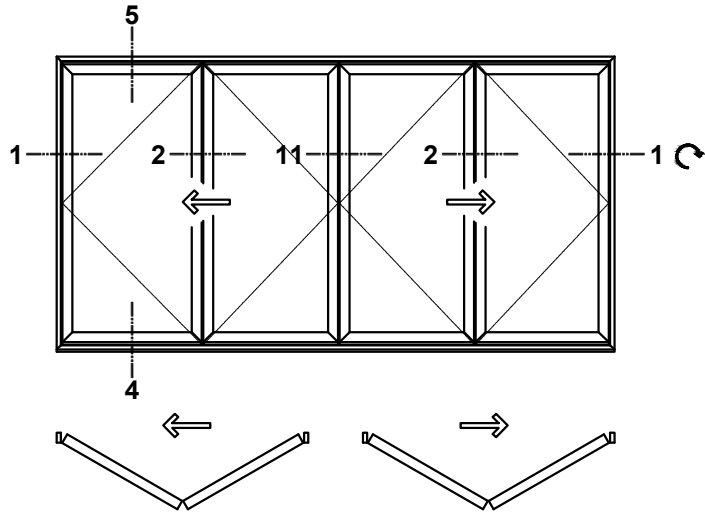
Type 4e
4-3-1



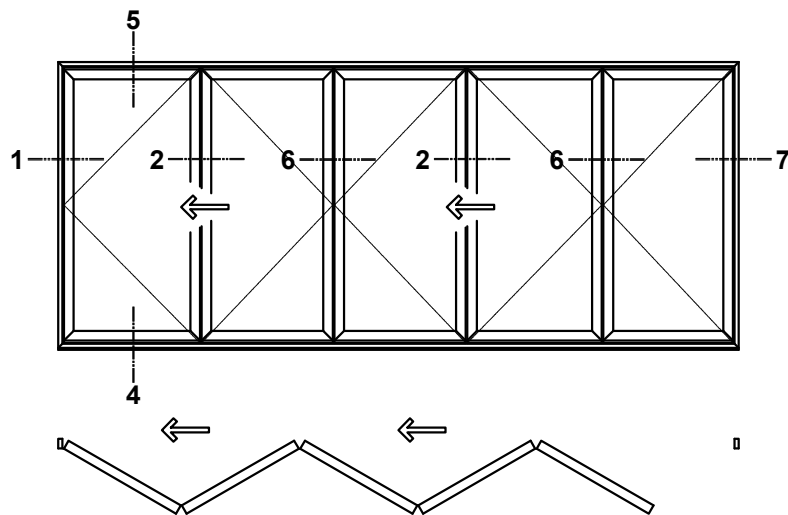
Do Not Scale From This Drawing

Open Out

Type 5e
4-2-2



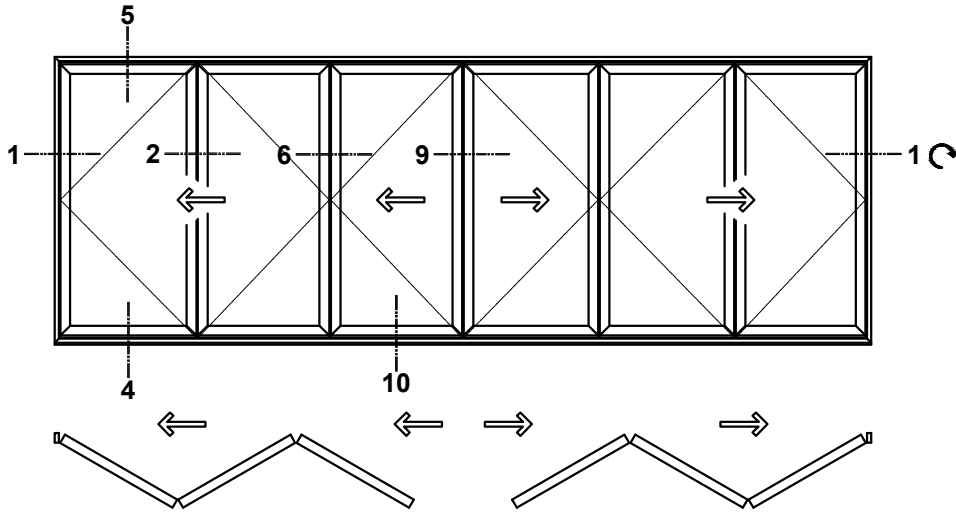
Type 6e
5-5-0



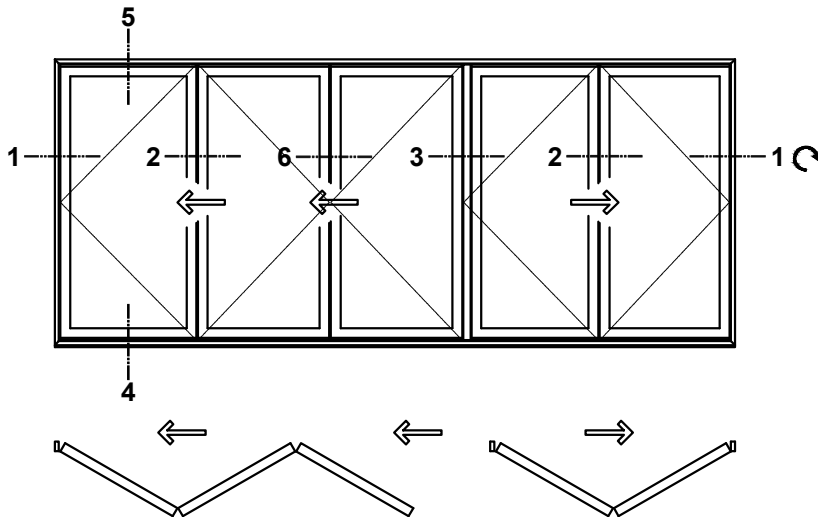
Do Not Scale From This Drawing

Open Out

Type 7e
6-3-3



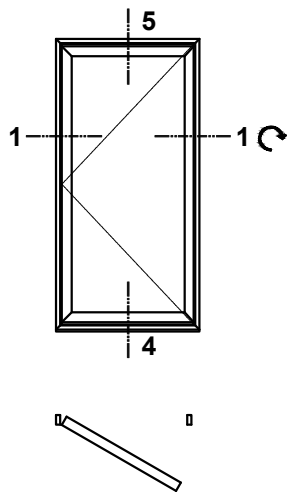
Type 8e
5-3-2



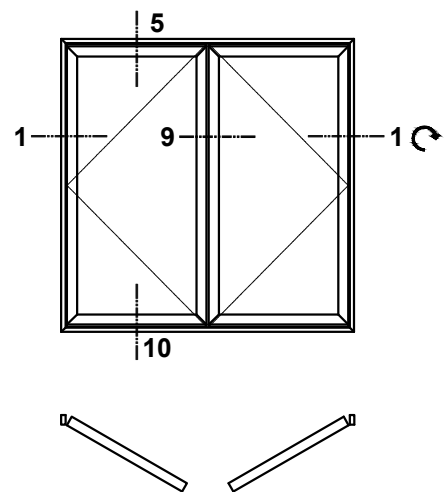
Do Not Scale From This Drawing

Open Out

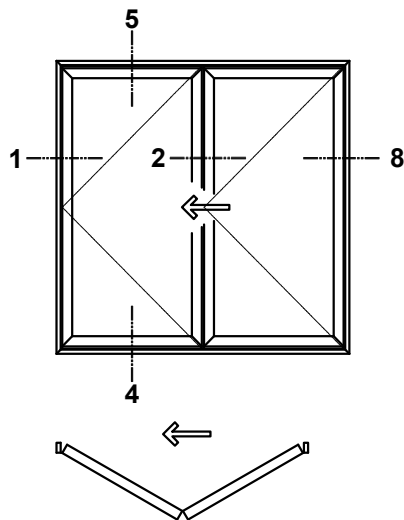
Single Swing Door



Double Swing Door

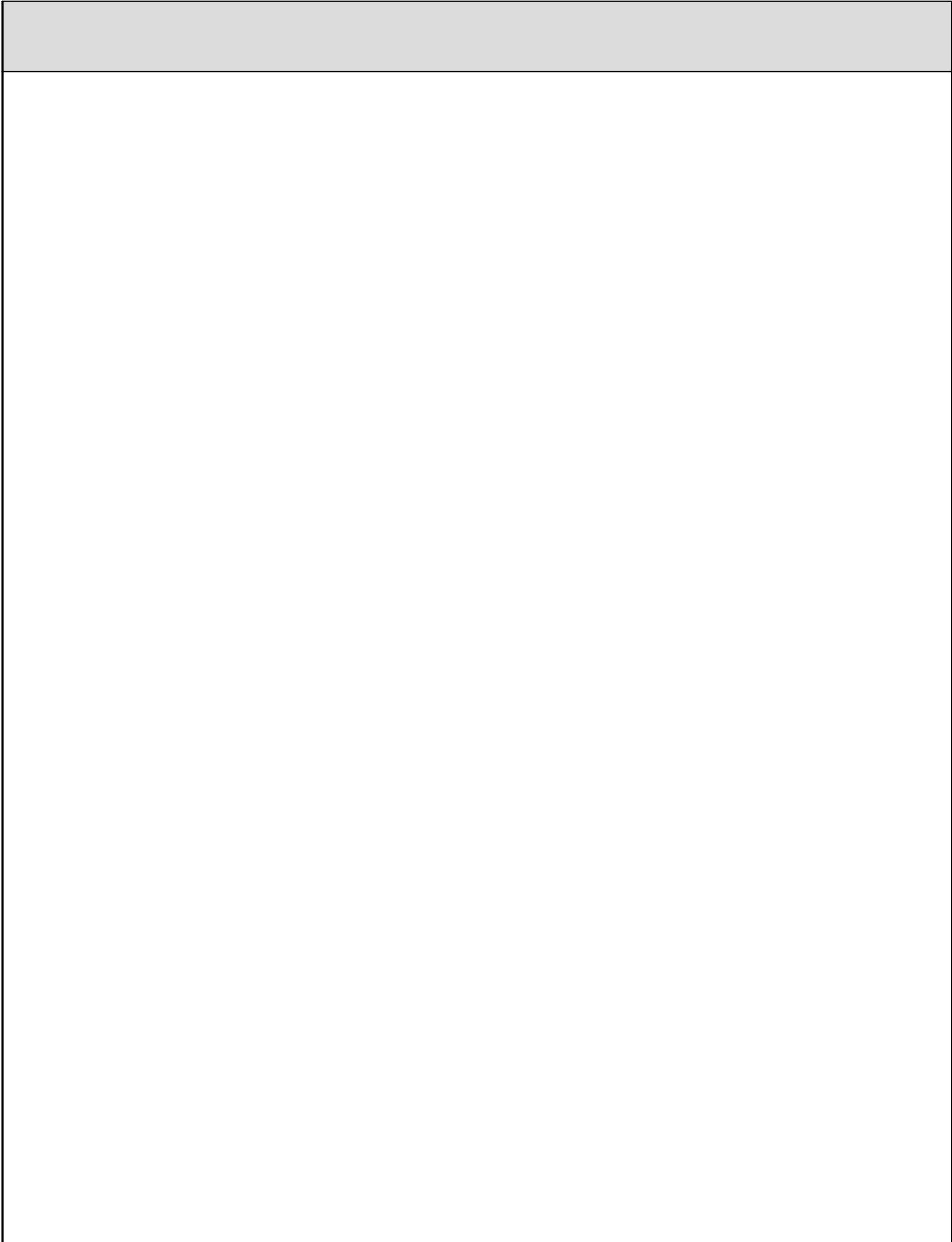


Type 7e
2-2-0



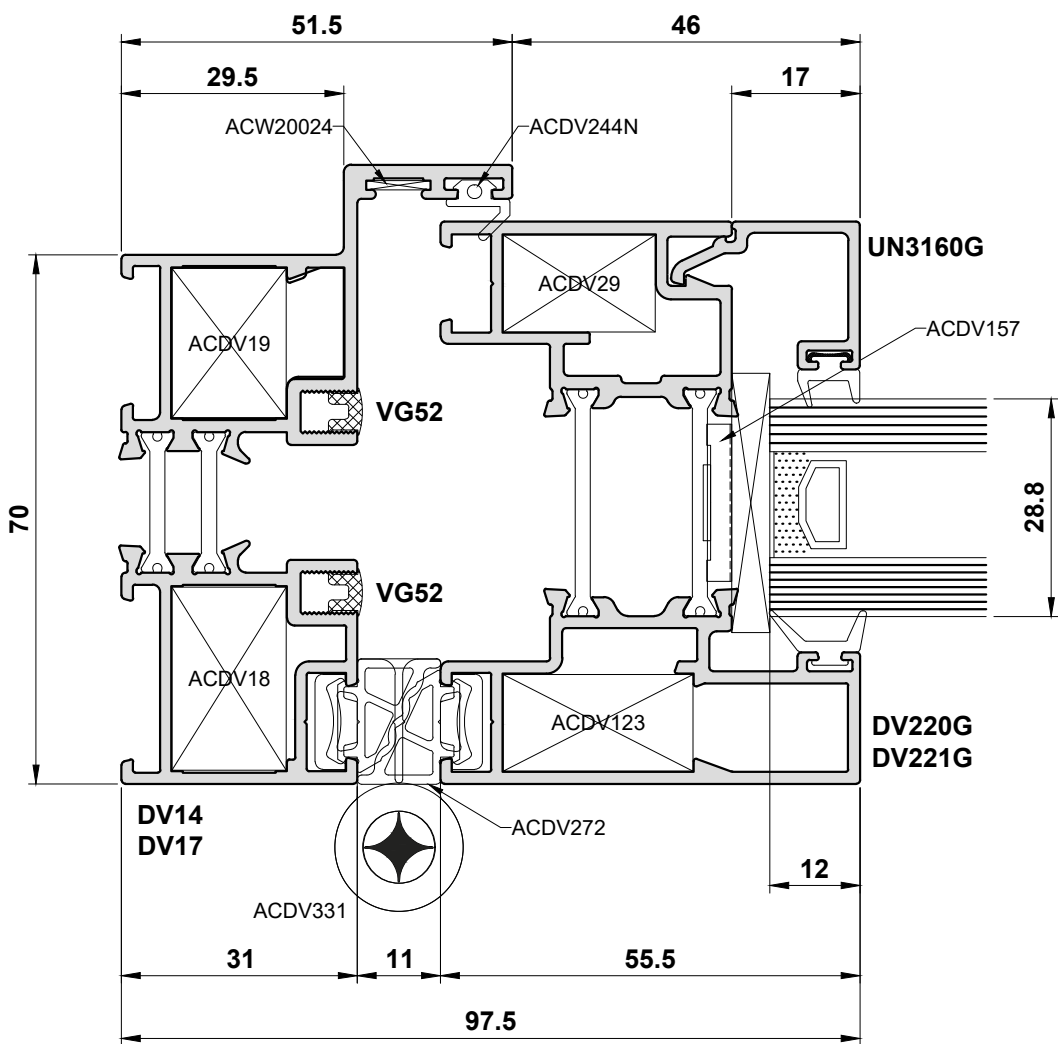
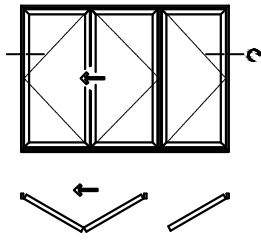
NO EXTERNAL ACCESS OR TRAFFIC DOOR WITH
TYPE 7e DOUBLE SLIDE DOOR

Do Not Scale From This Drawing



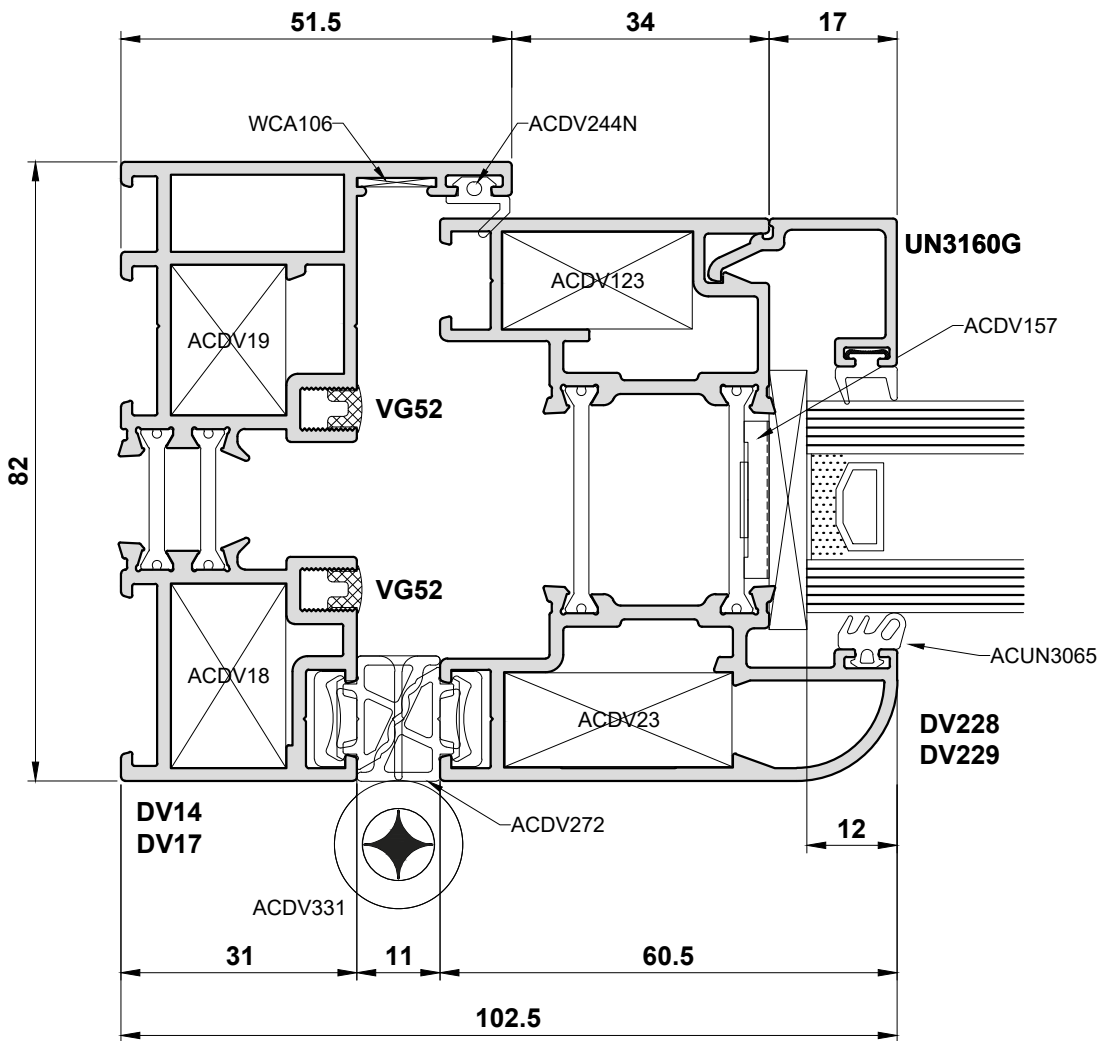
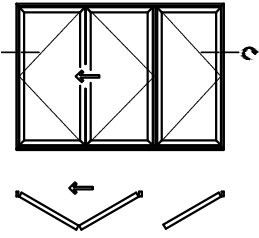
Do Not Scale From This Drawing

Open Out - Detail 1A



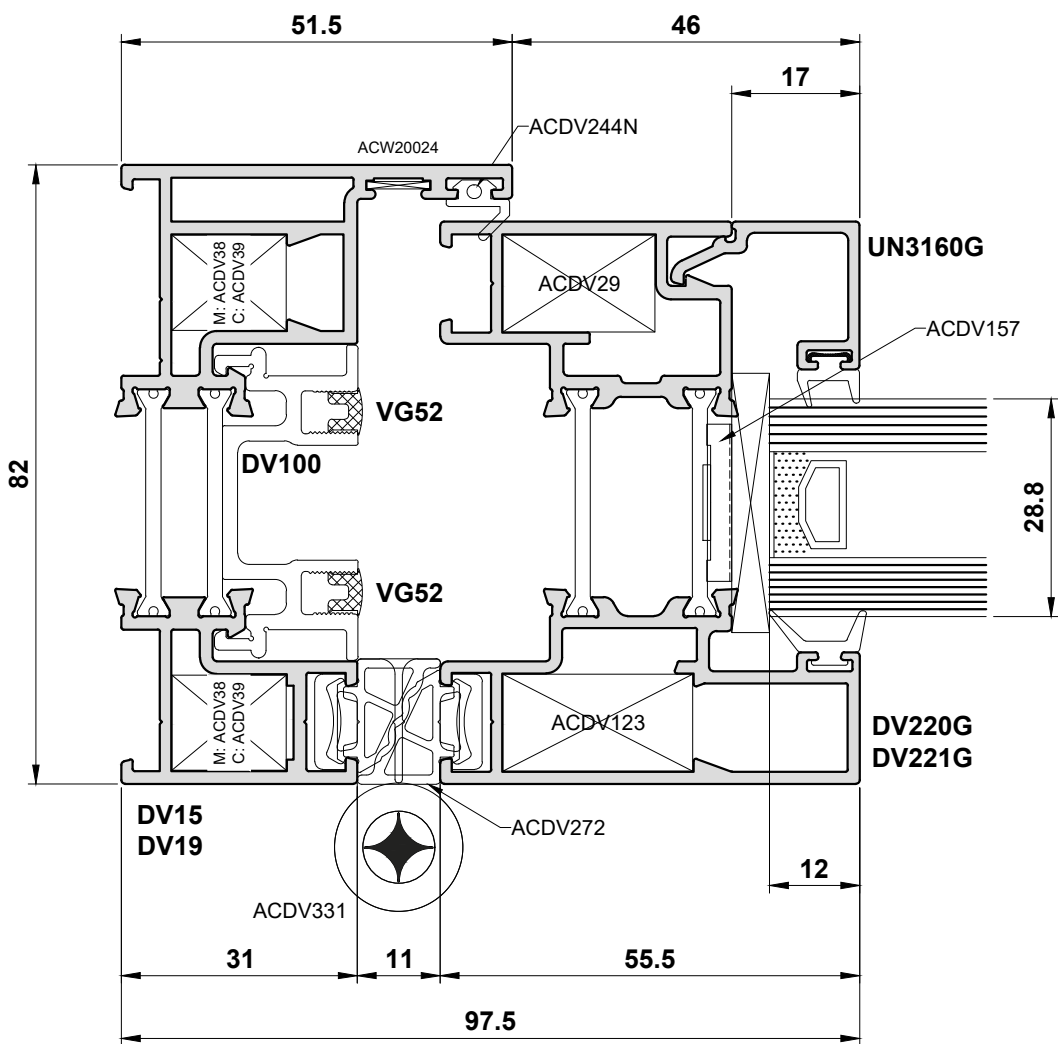
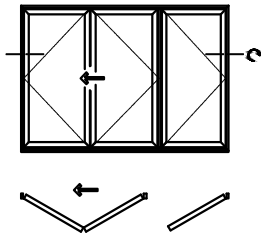
Do Not Scale From This Drawing

Open Out - Detail 1B



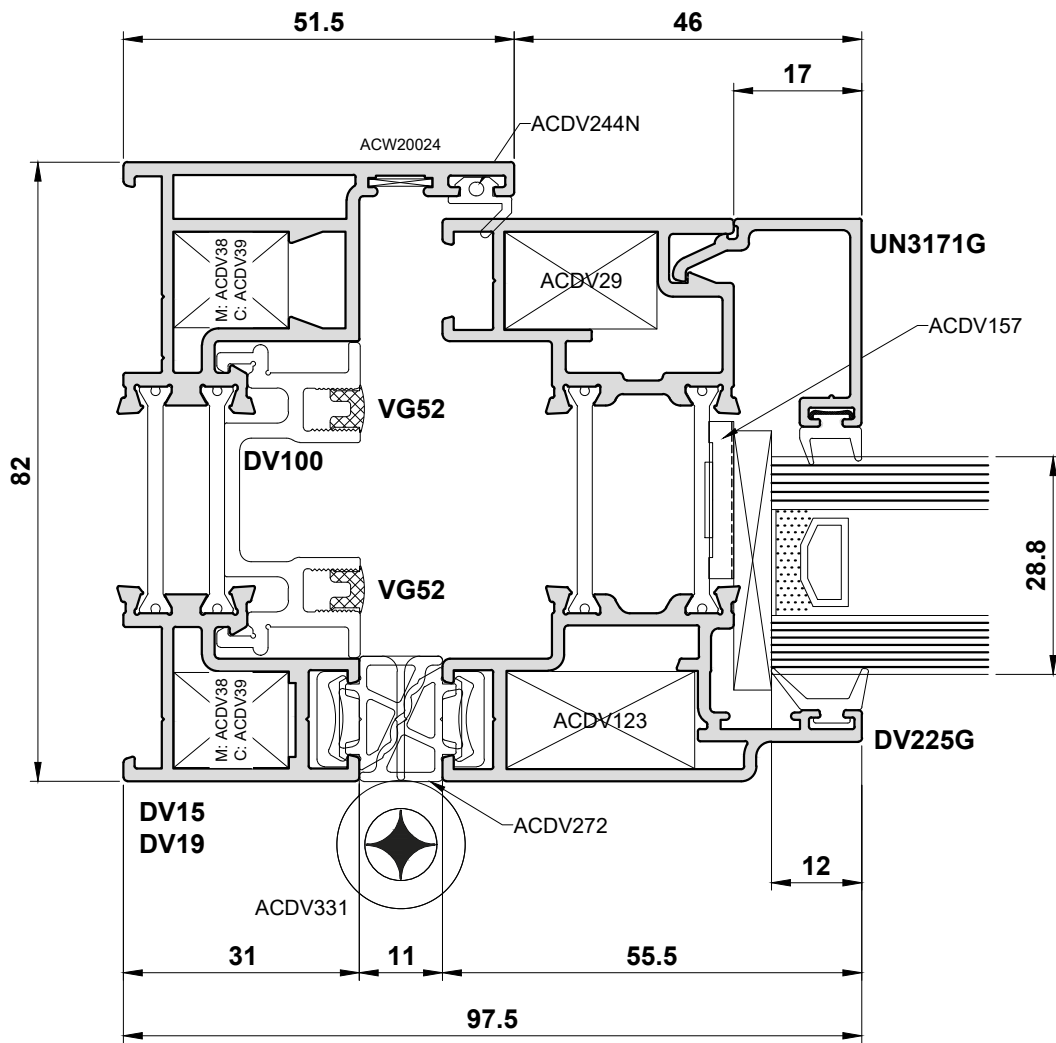
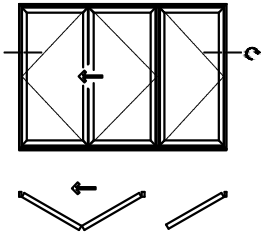
Do Not Scale From This Drawing

Open Out - Detail 1C



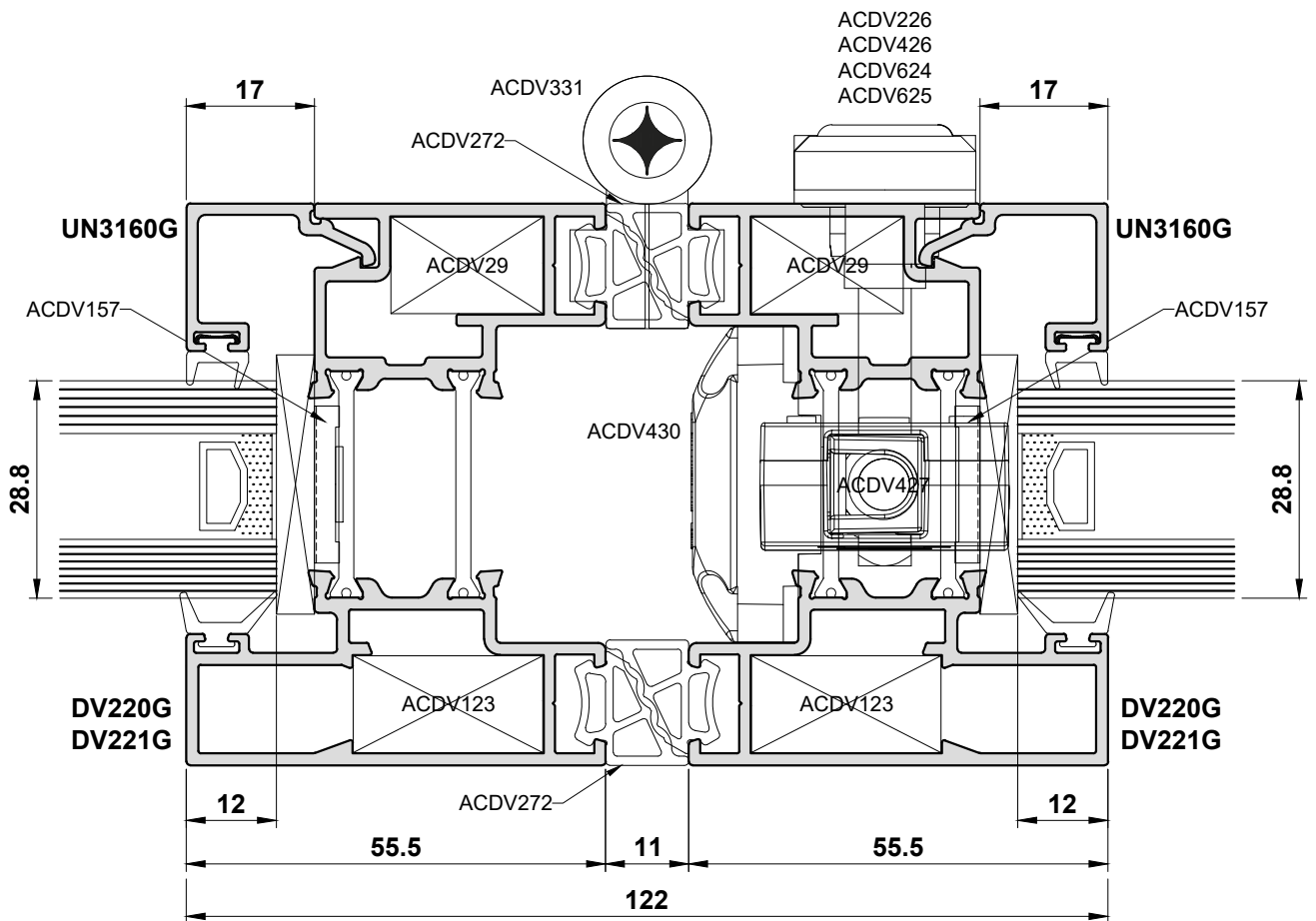
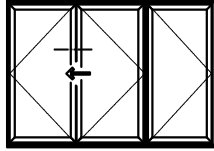
Do Not Scale From This Drawing

Open Out - Detail 1D



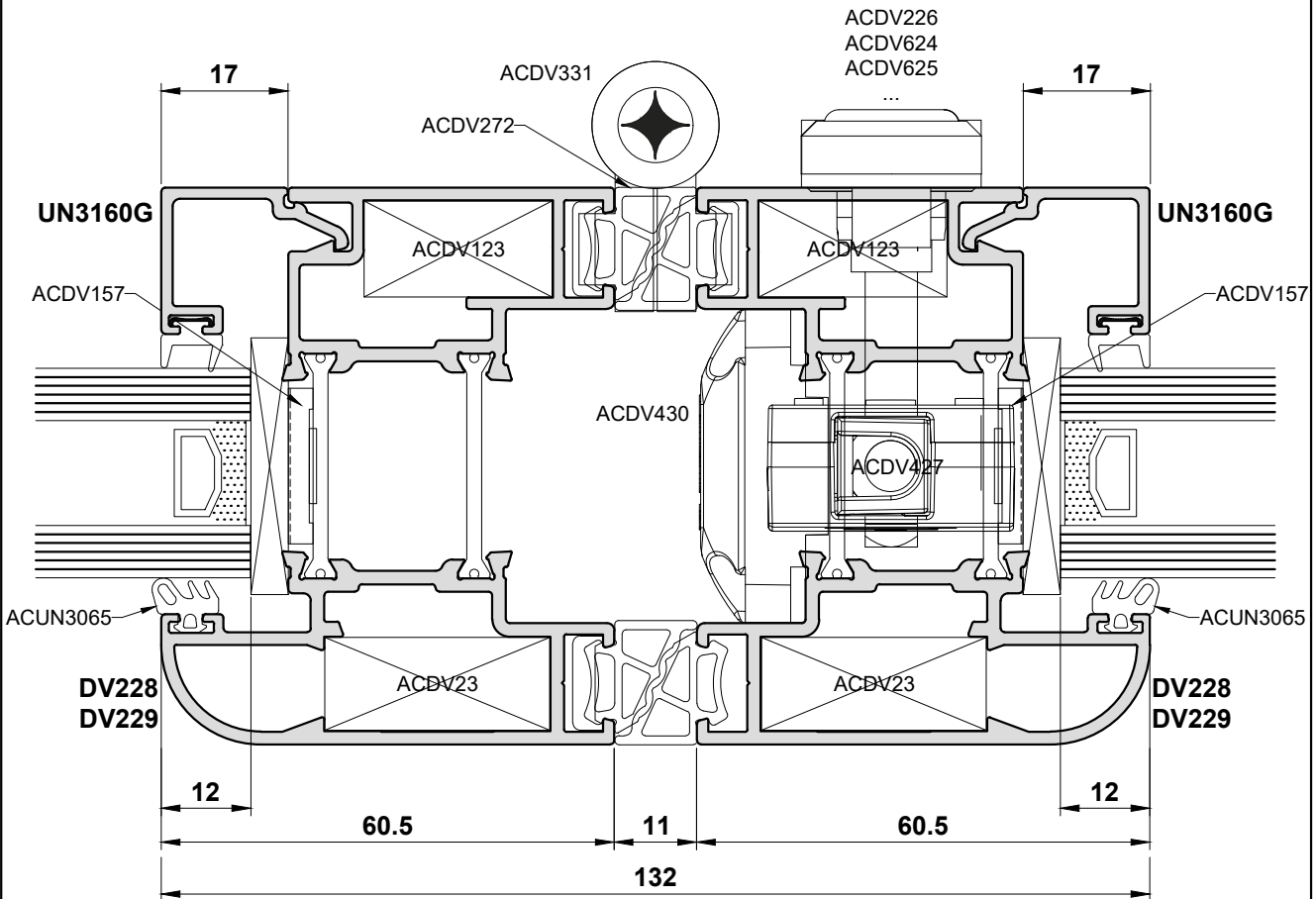
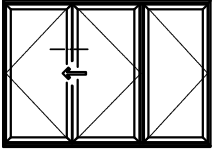
Do Not Scale From This Drawing

Open Out - Detail 2A



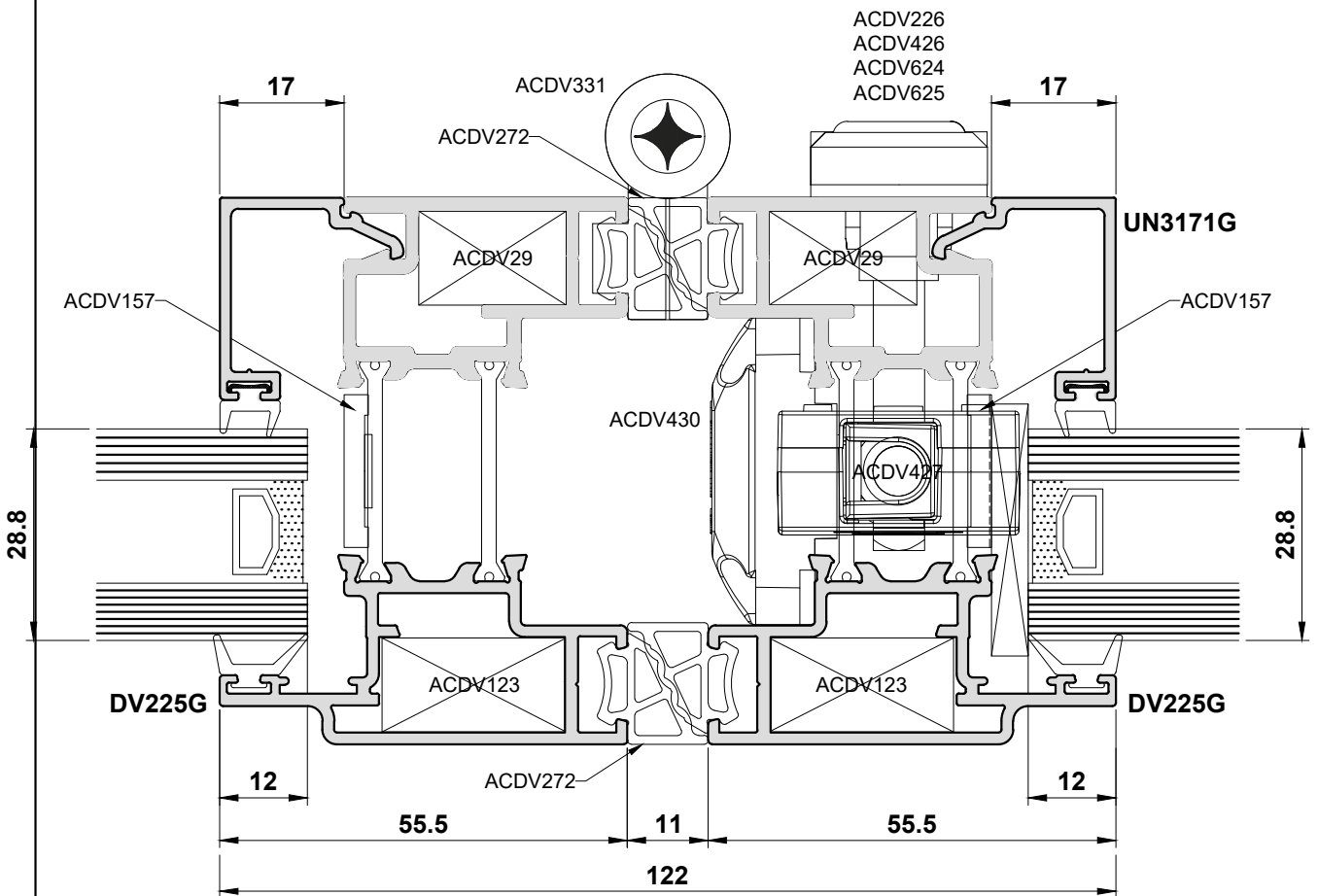
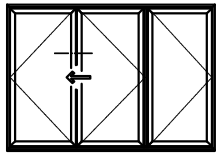
Do Not Scale From This Drawing

Open Out - Detail 2B



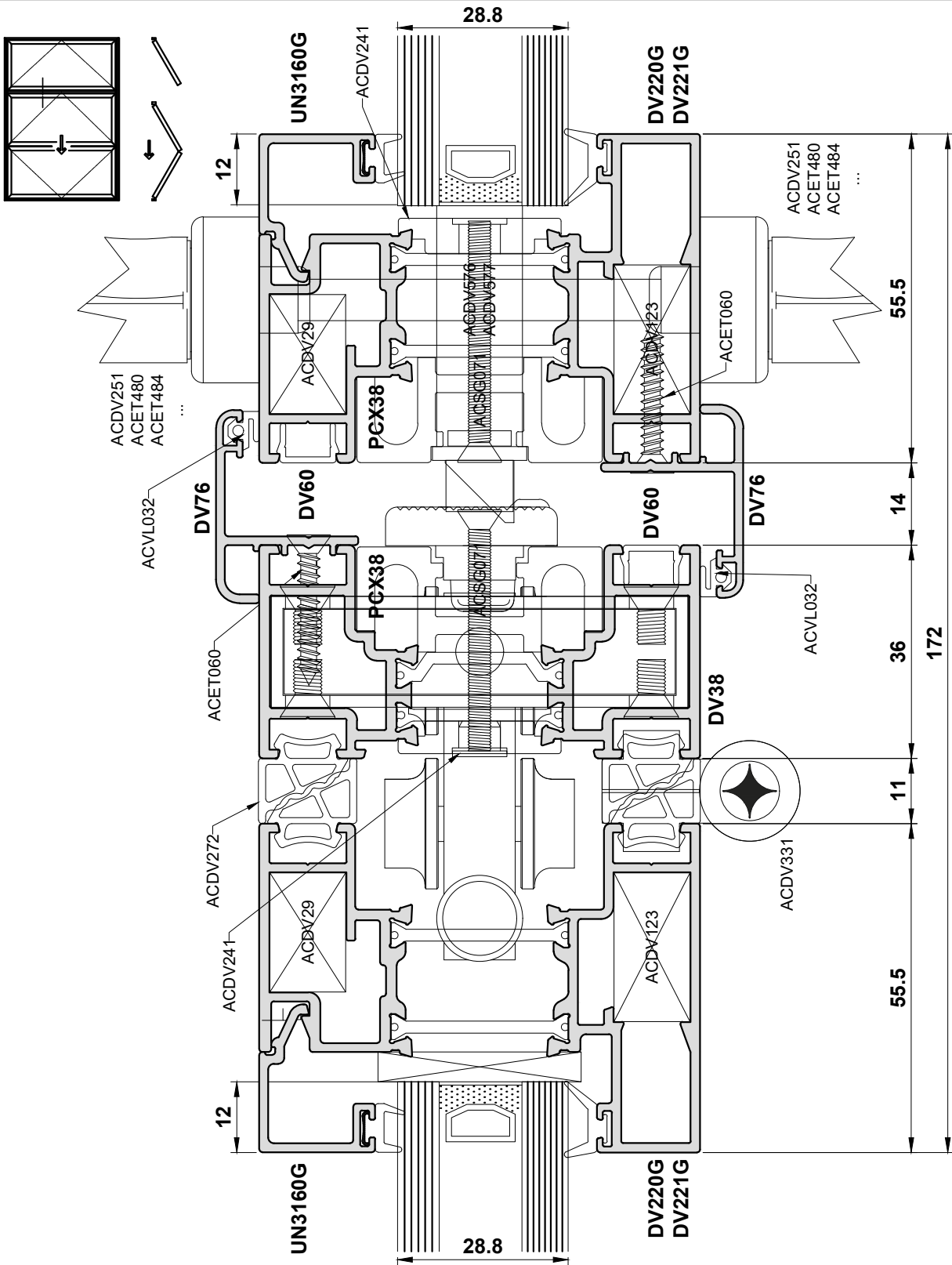
Do Not Scale From This Drawing

Open Out - Detail 2C



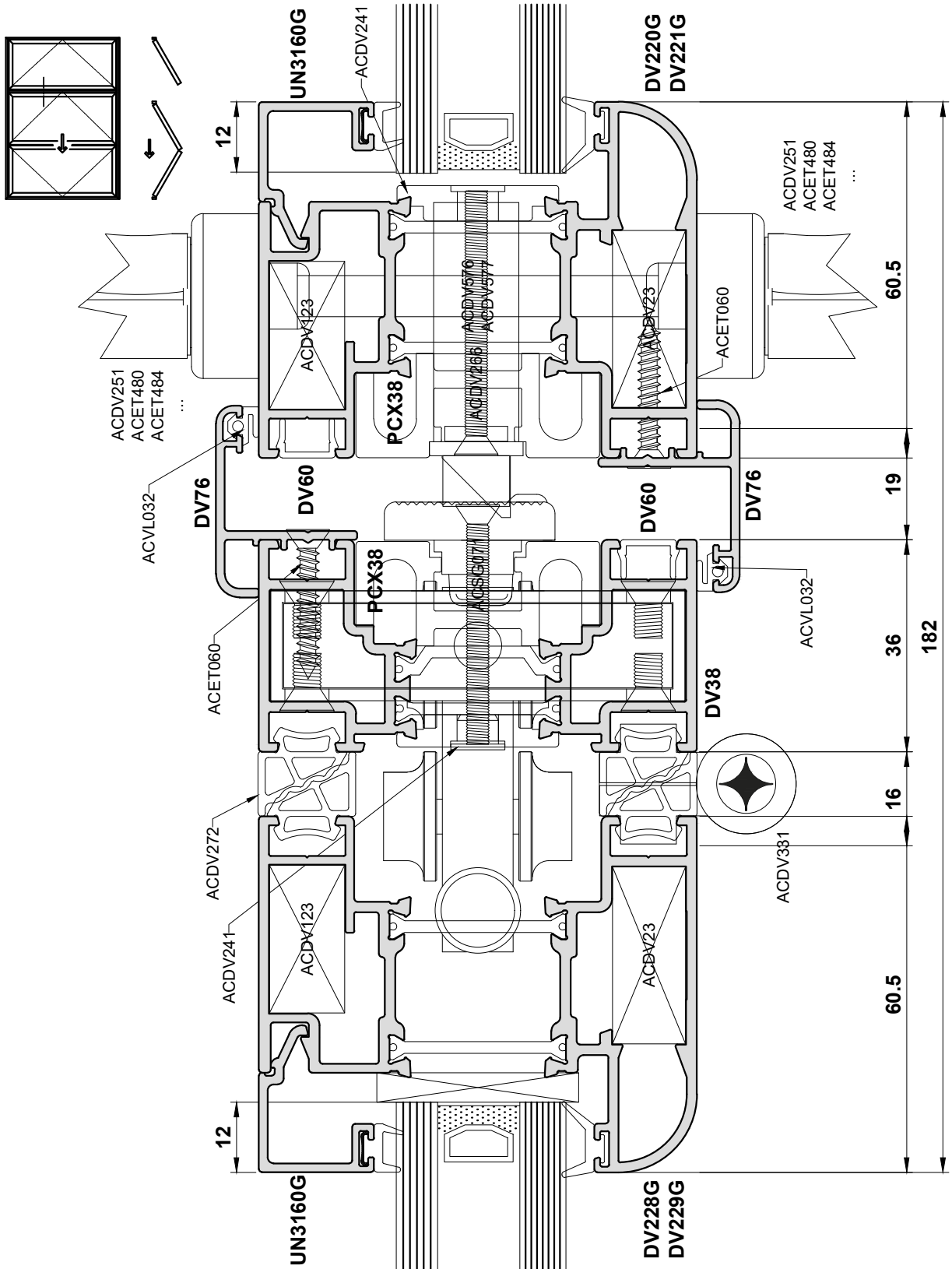
Do Not Scale From This Drawing

Open Out - Detail 3A



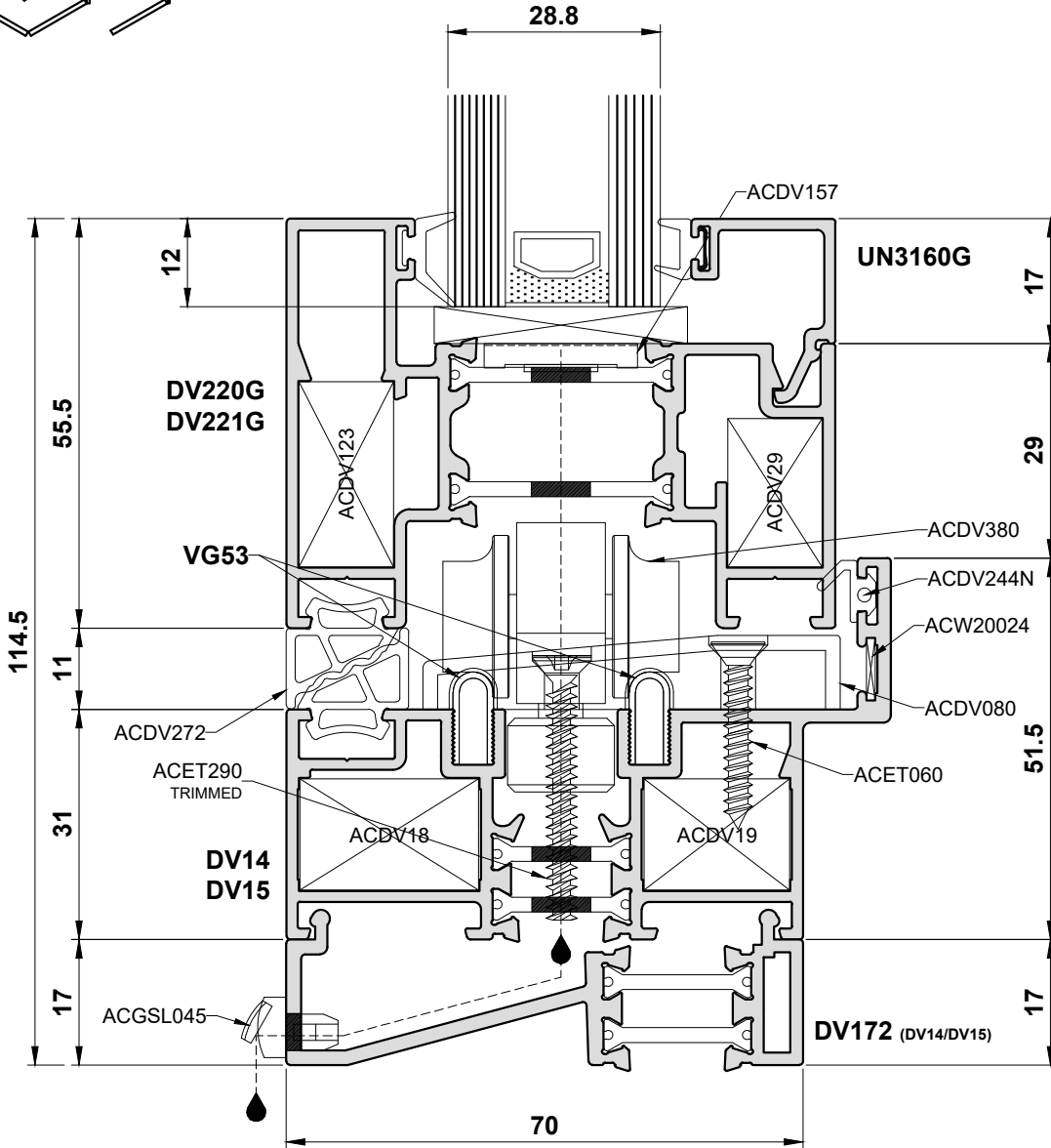
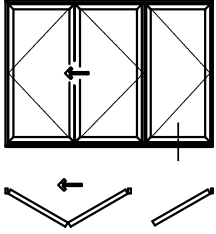
Do Not Scale From This Drawing

Open Out - Detail 3B



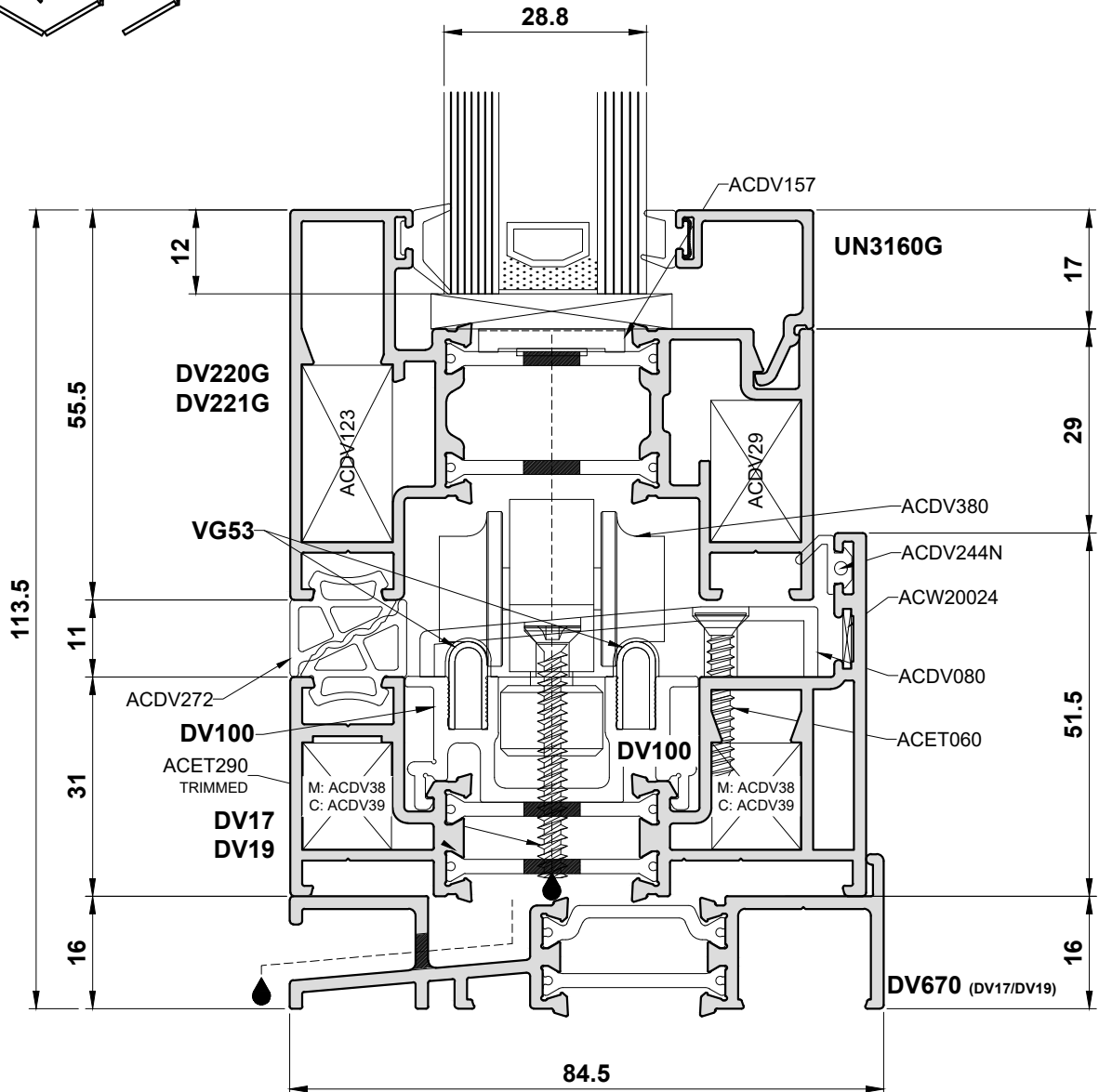
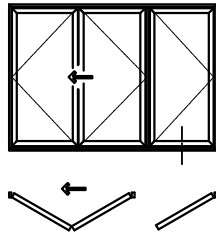
Do Not Scale From This Drawing

Open Out - Detail 4A



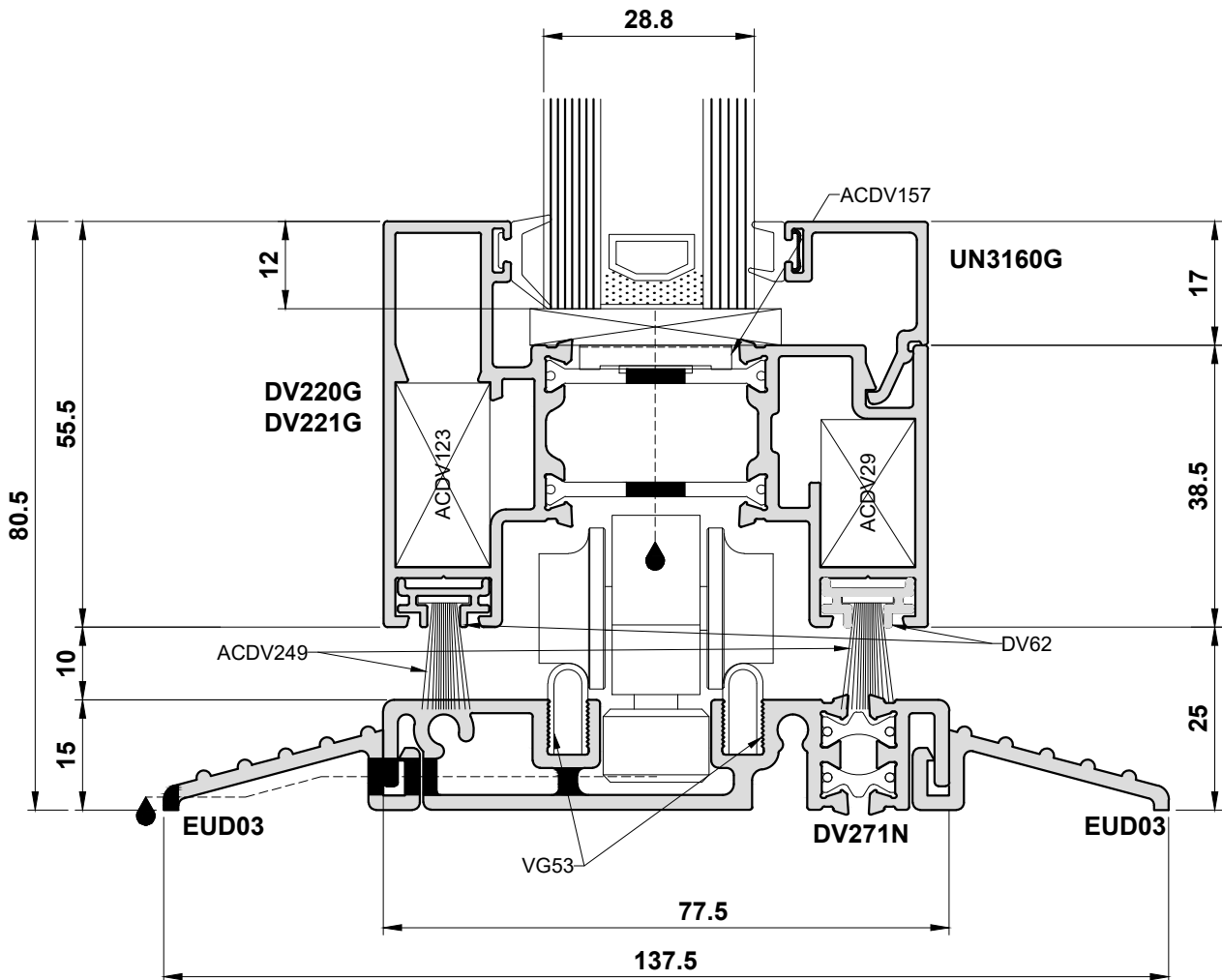
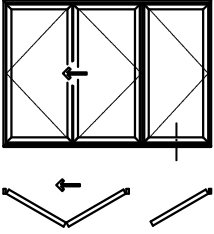
Do Not Scale From This Drawing

Open Out - Detail 4B



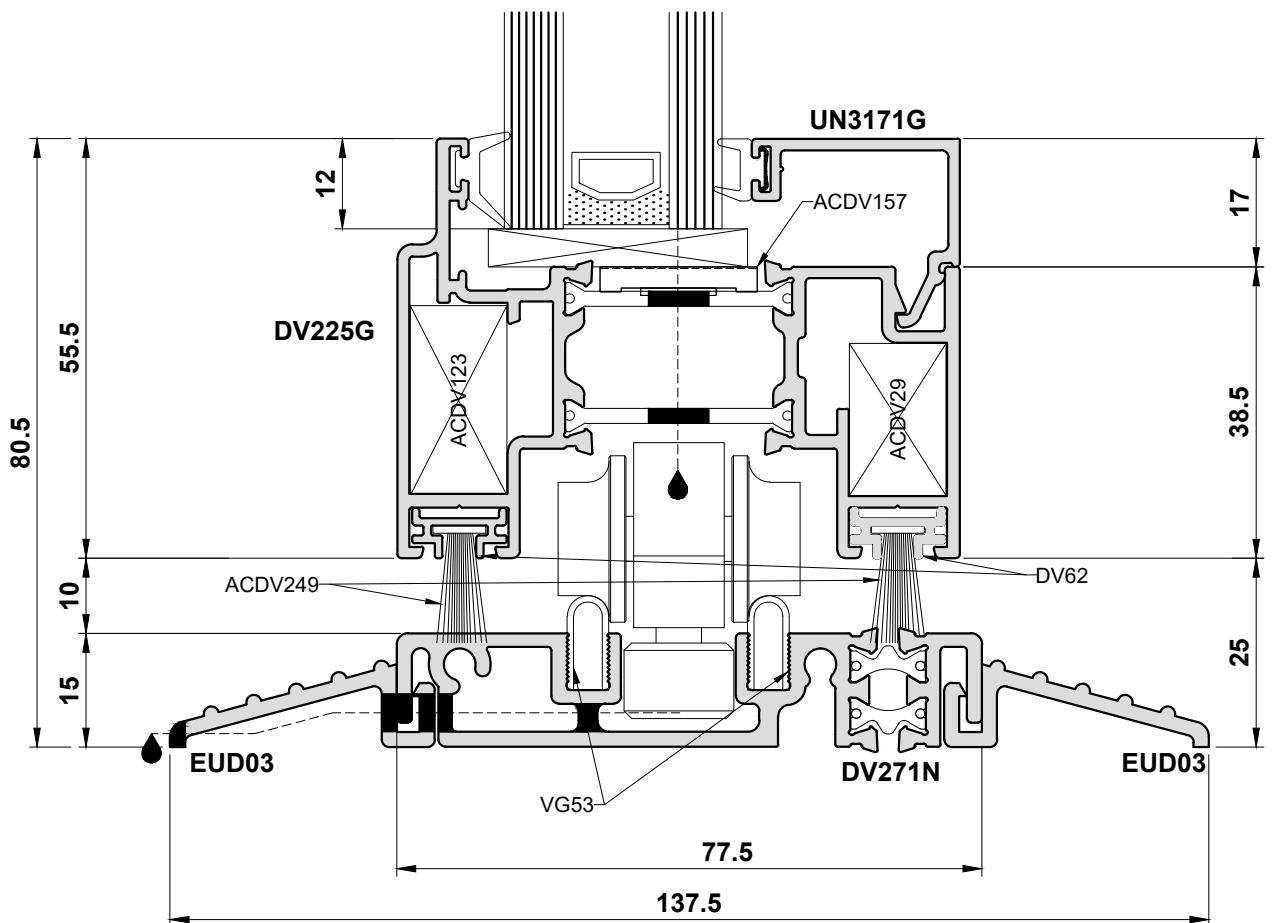
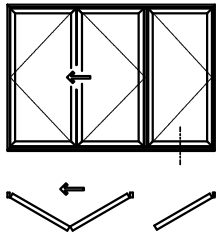
Do Not Scale From This Drawing

Open Out - Detail 4C



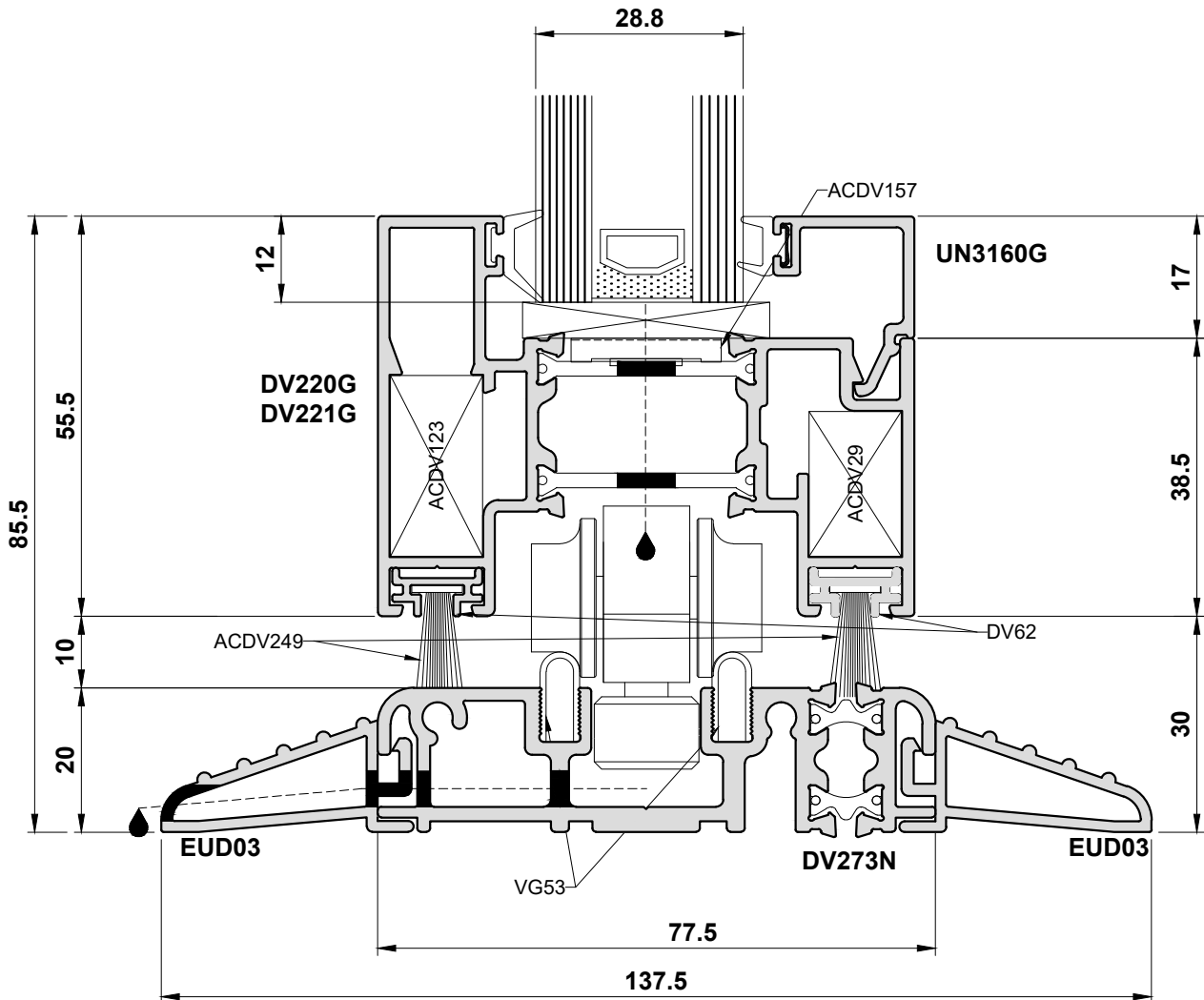
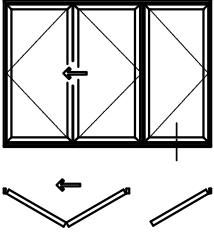
Do Not Scale From This Drawing

Open Out - Detail 4D



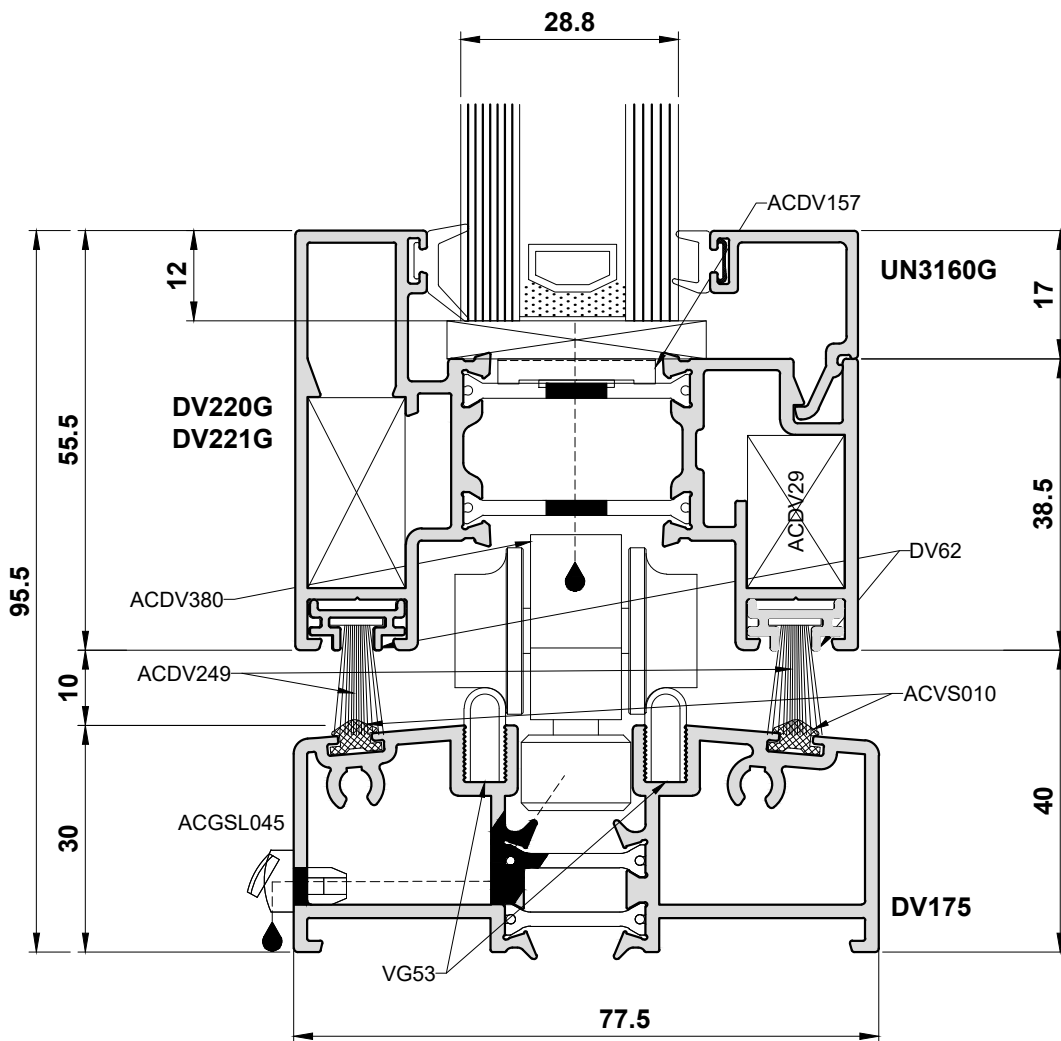
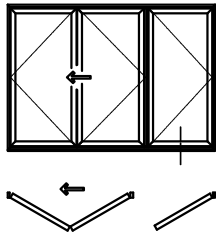
Do Not Scale From This Drawing

Open Out - Detail 4E



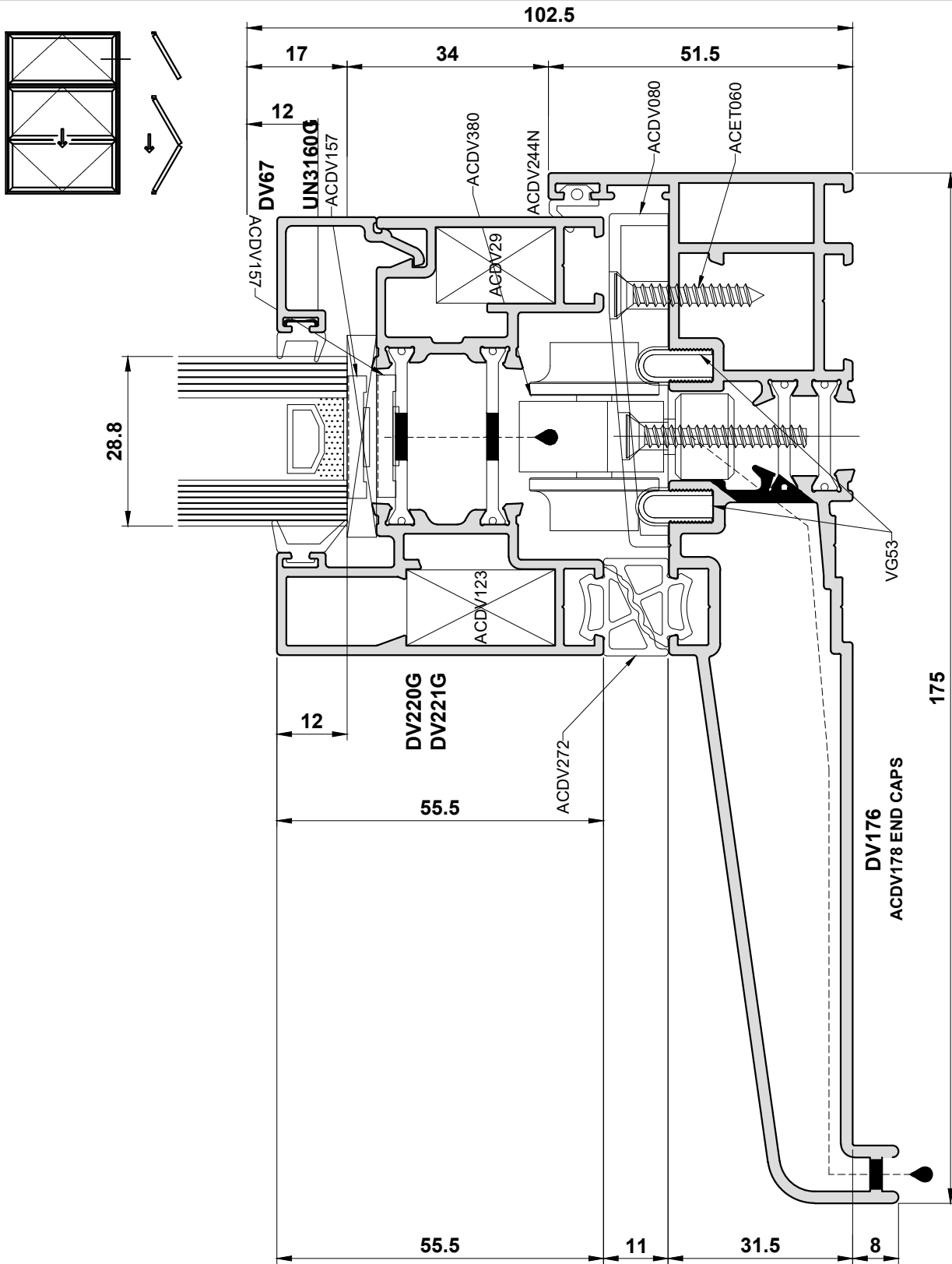
Do Not Scale From This Drawing

Open Out - Detail 4F



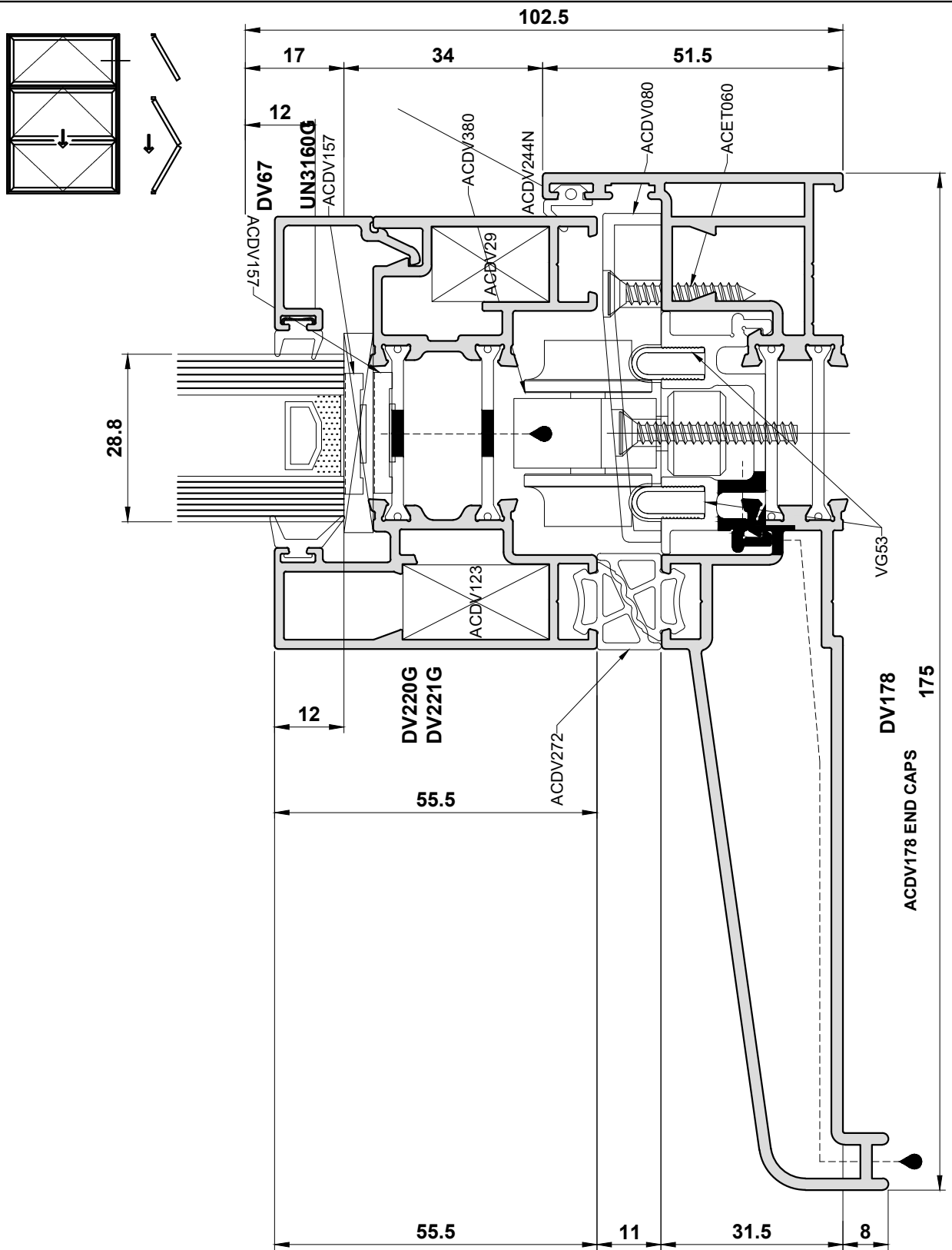
Do Not Scale From This Drawing

Open Out - Detail 4G



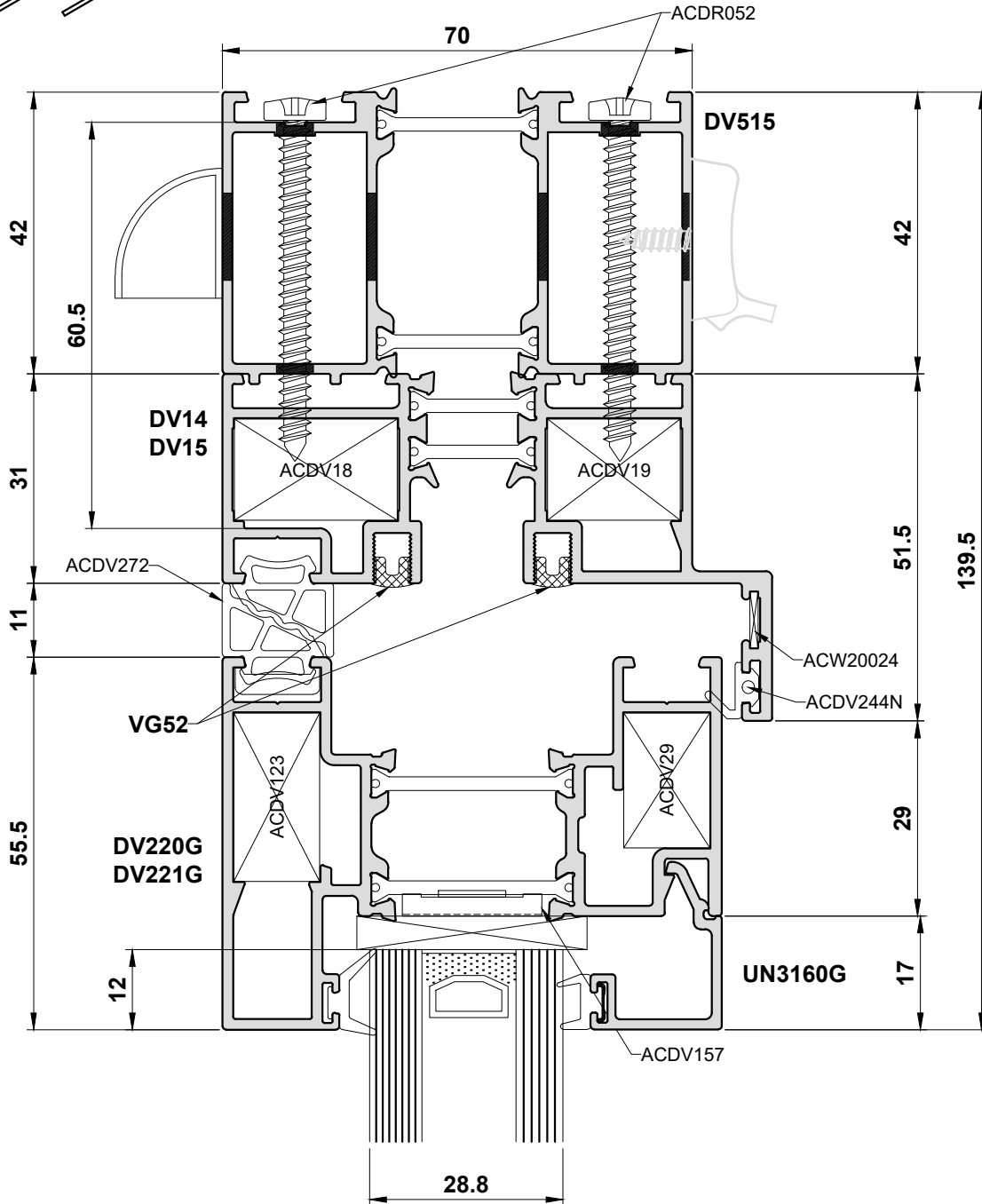
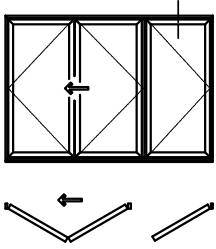
Do Not Scale From This Drawing

Open Out - Detail 4H



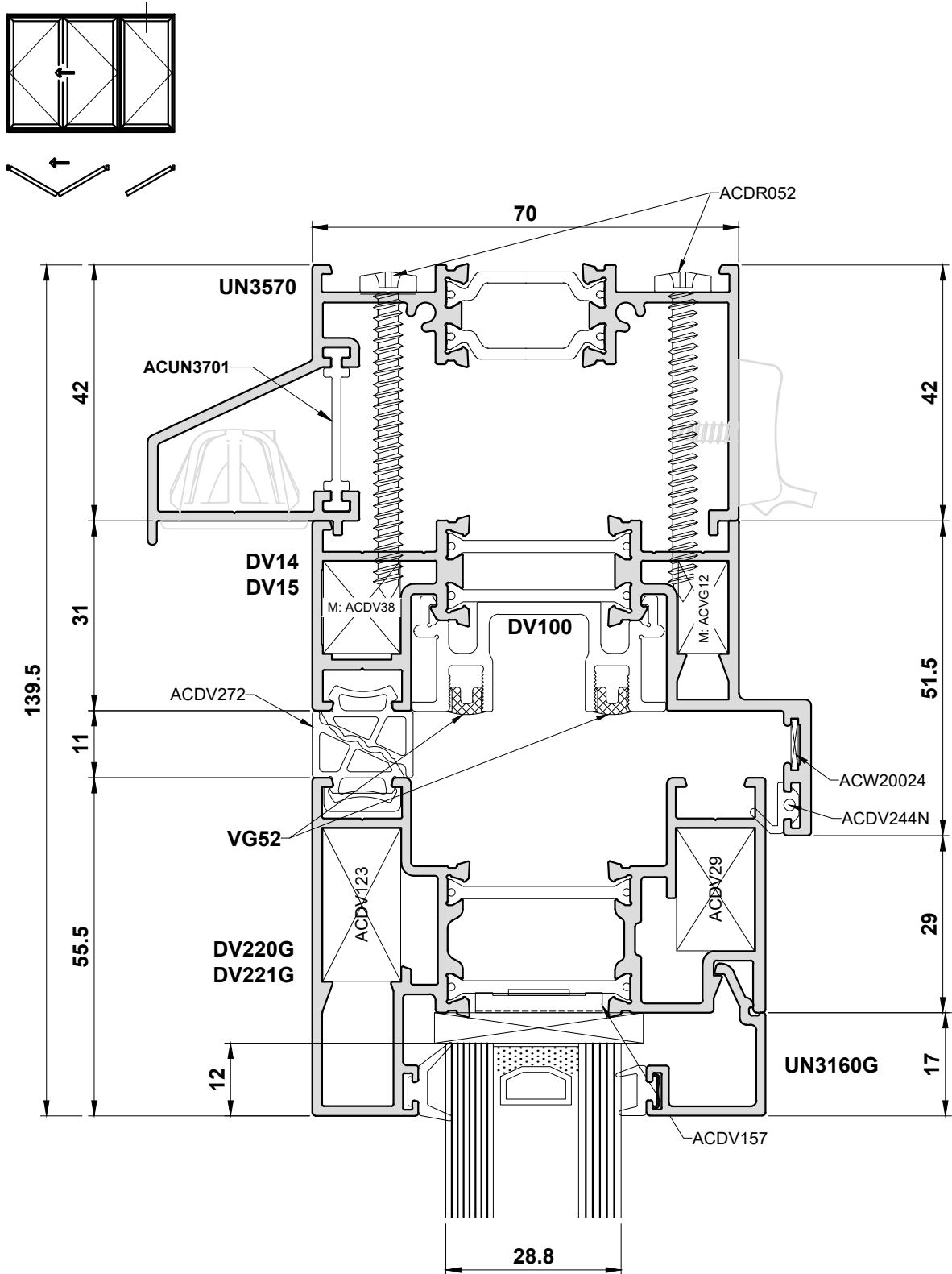
Do Not Scale From This Drawing

Open Out - Detail 5A



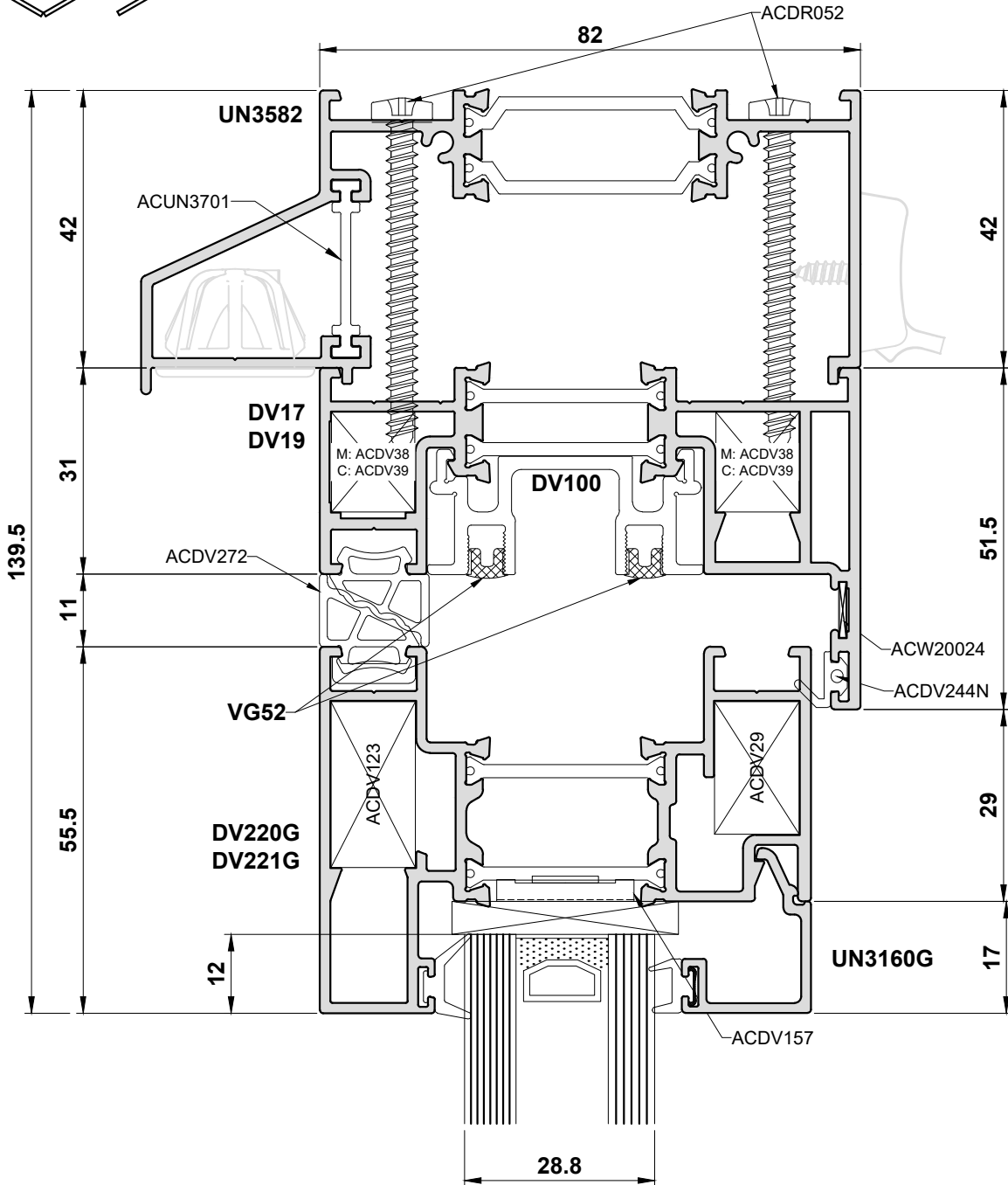
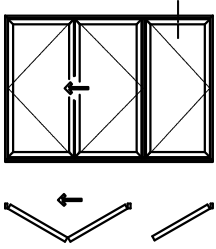
Do Not Scale From This Drawing

Open Out - Detail 5B



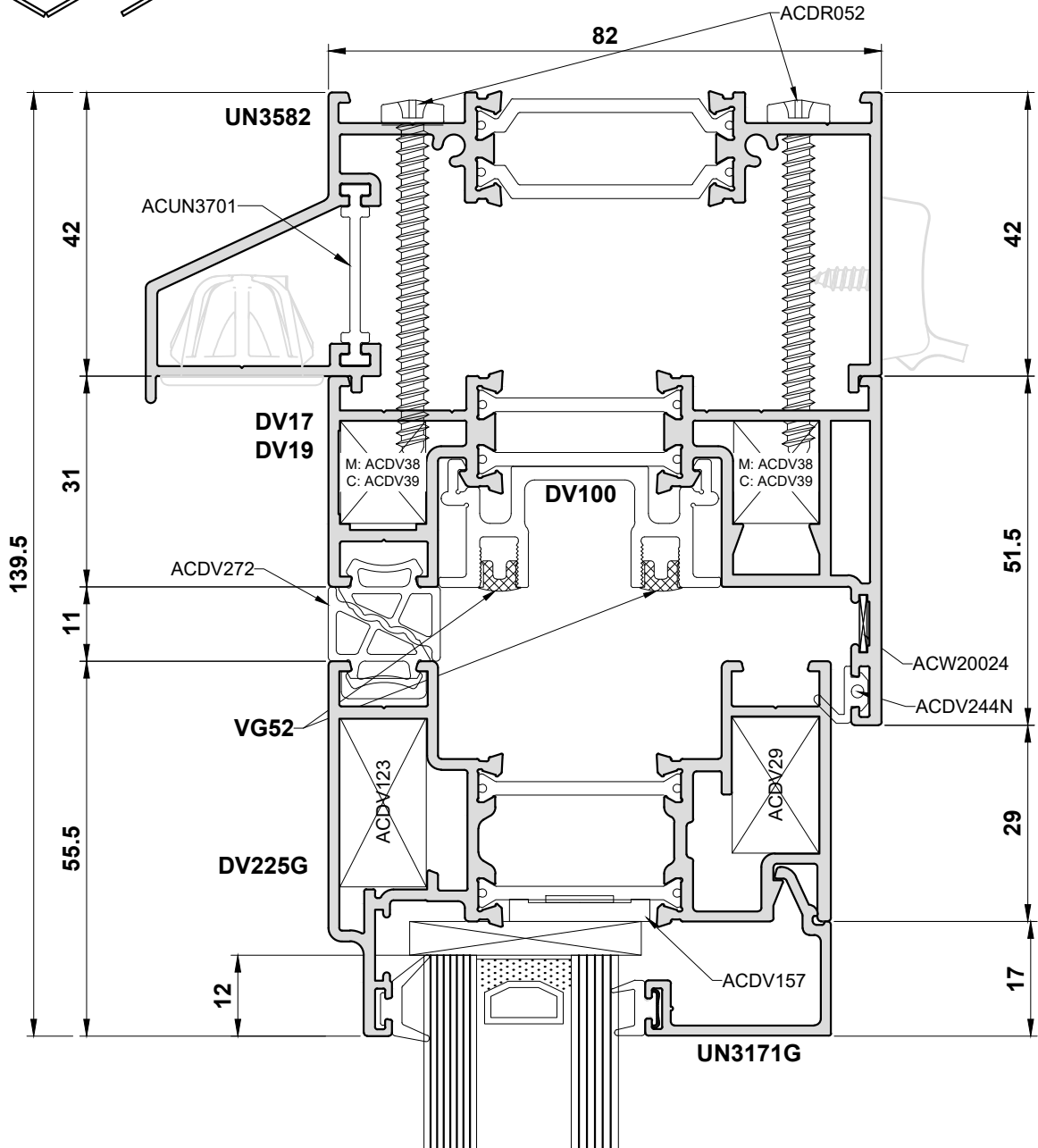
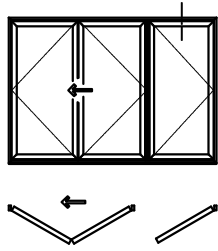
Do Not Scale From This Drawing

Open Out - Detail 5C



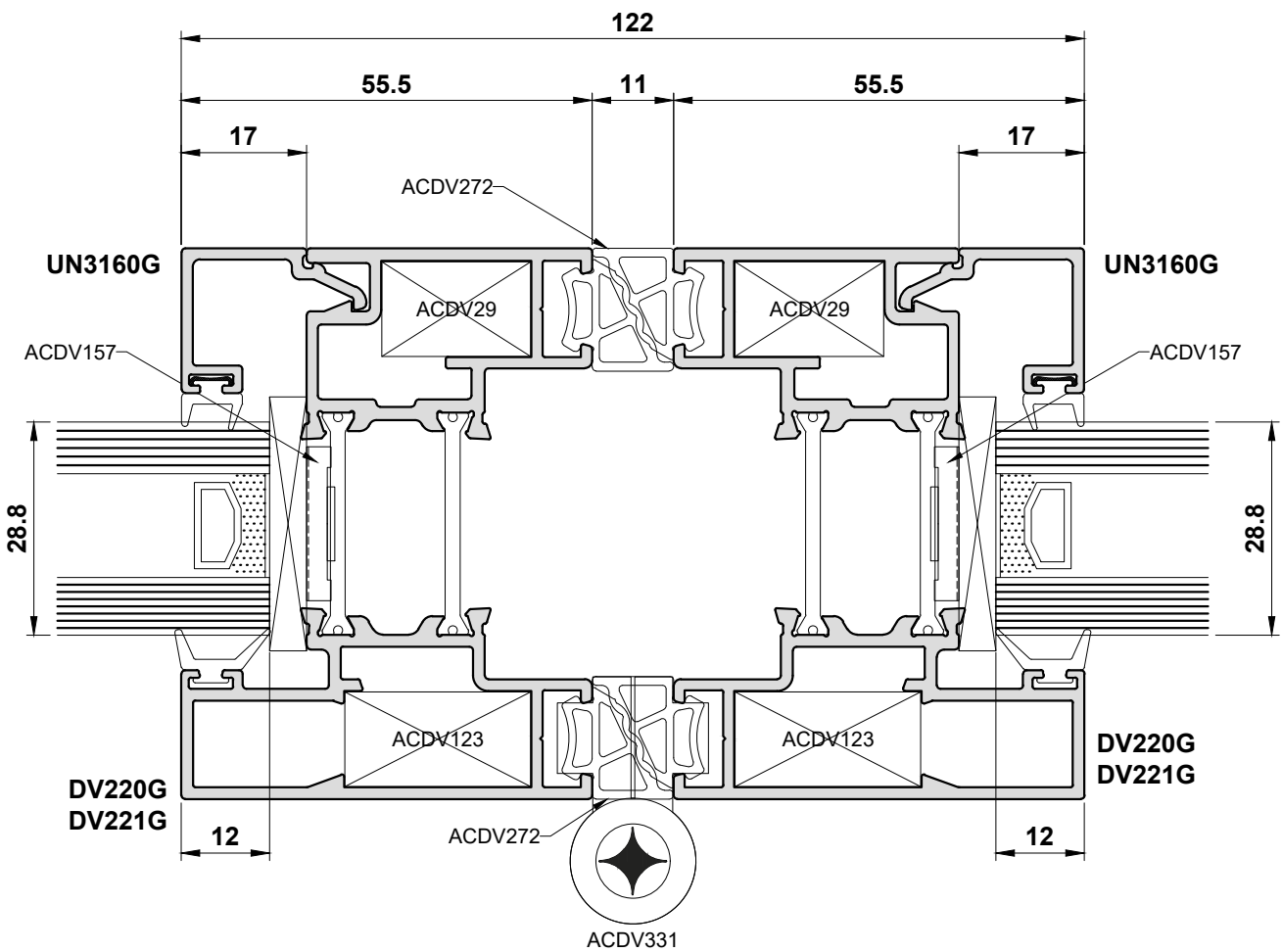
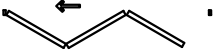
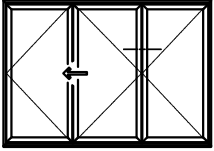
Do Not Scale From This Drawing

Open Out - Detail 5D



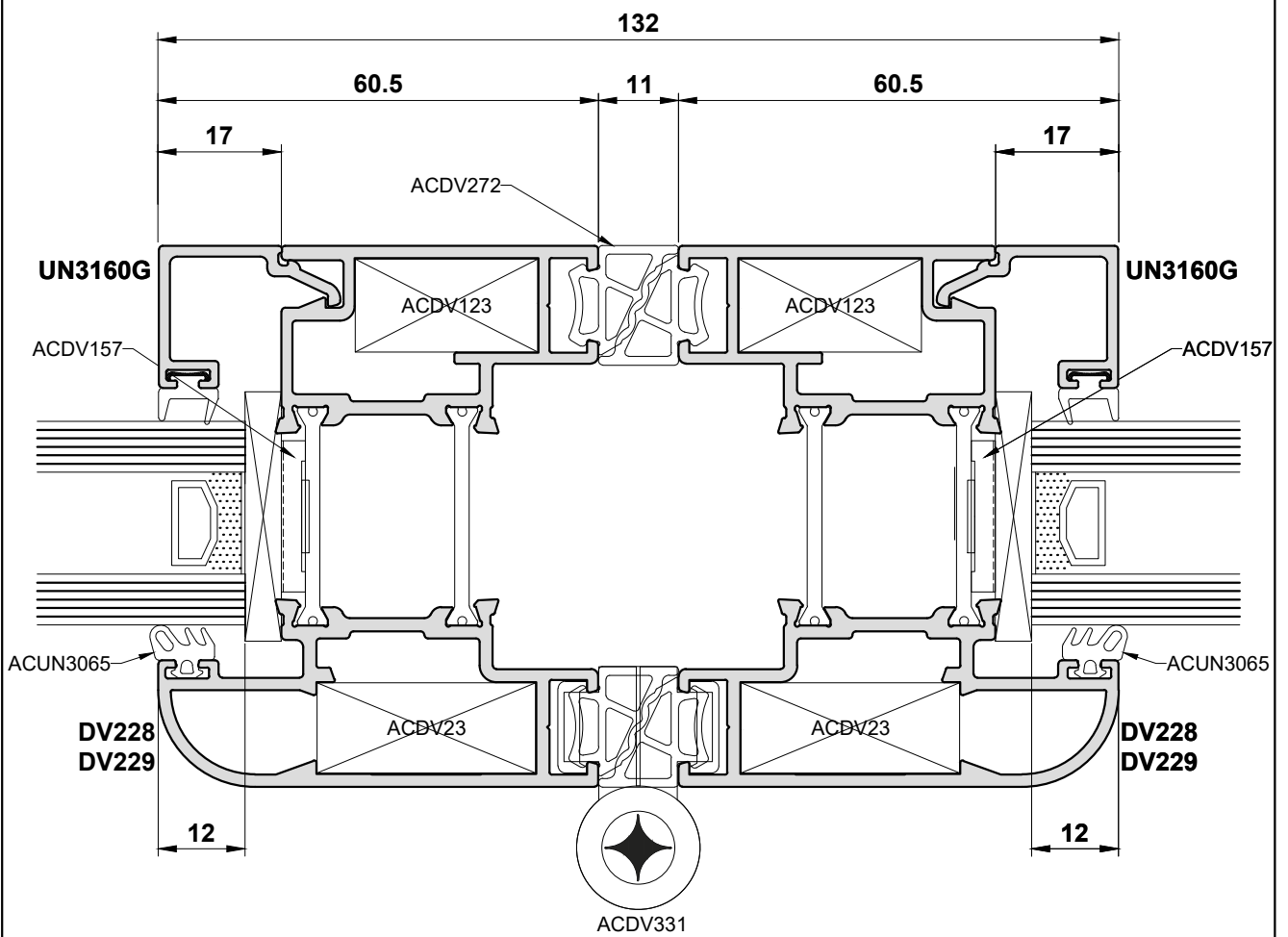
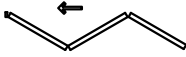
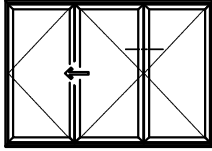
Do Not Scale From This Drawing

Open Out - Detail 6A



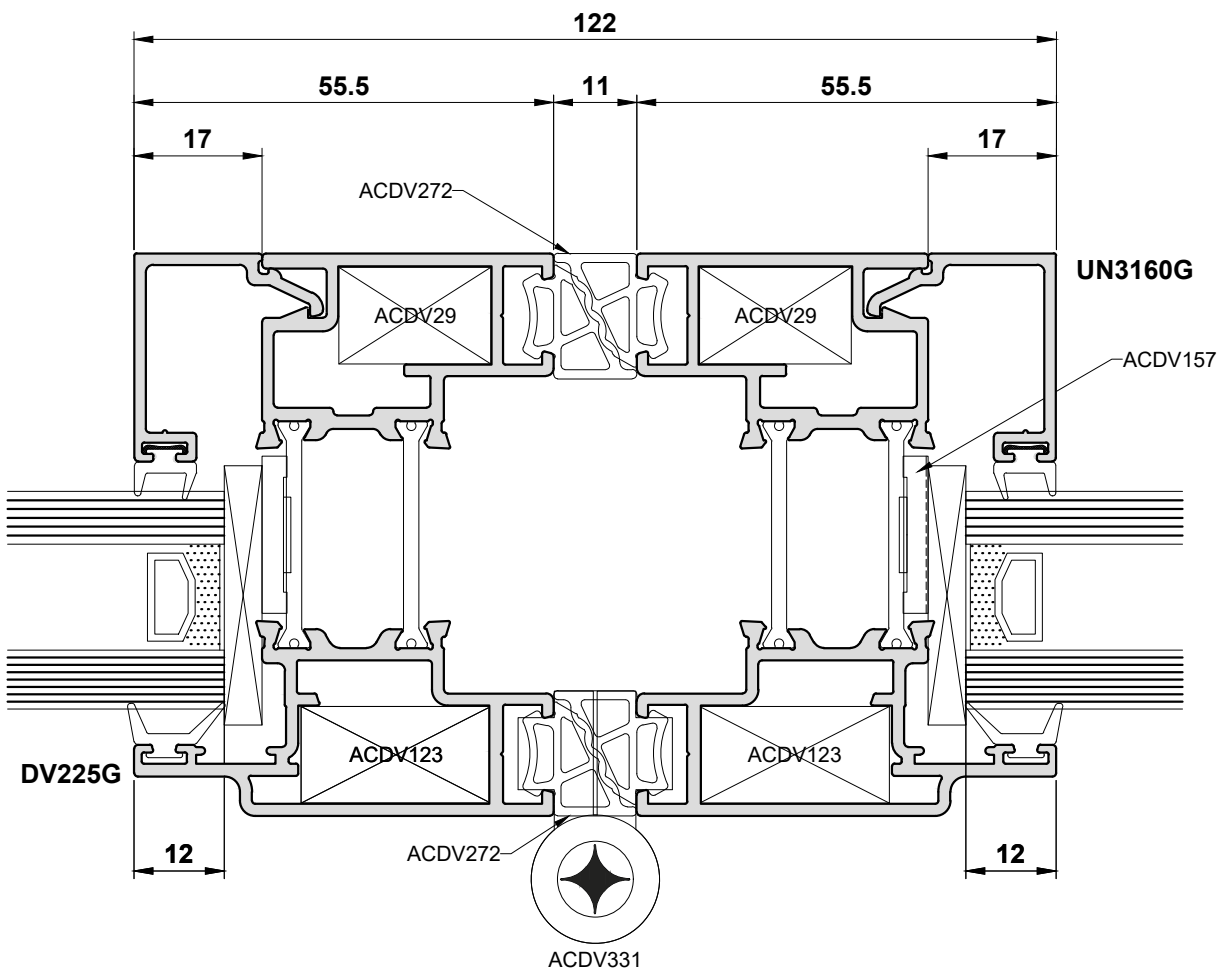
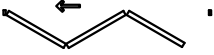
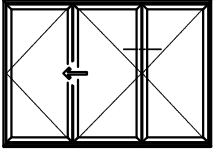
Do Not Scale From This Drawing

Open Out - Detail 6B



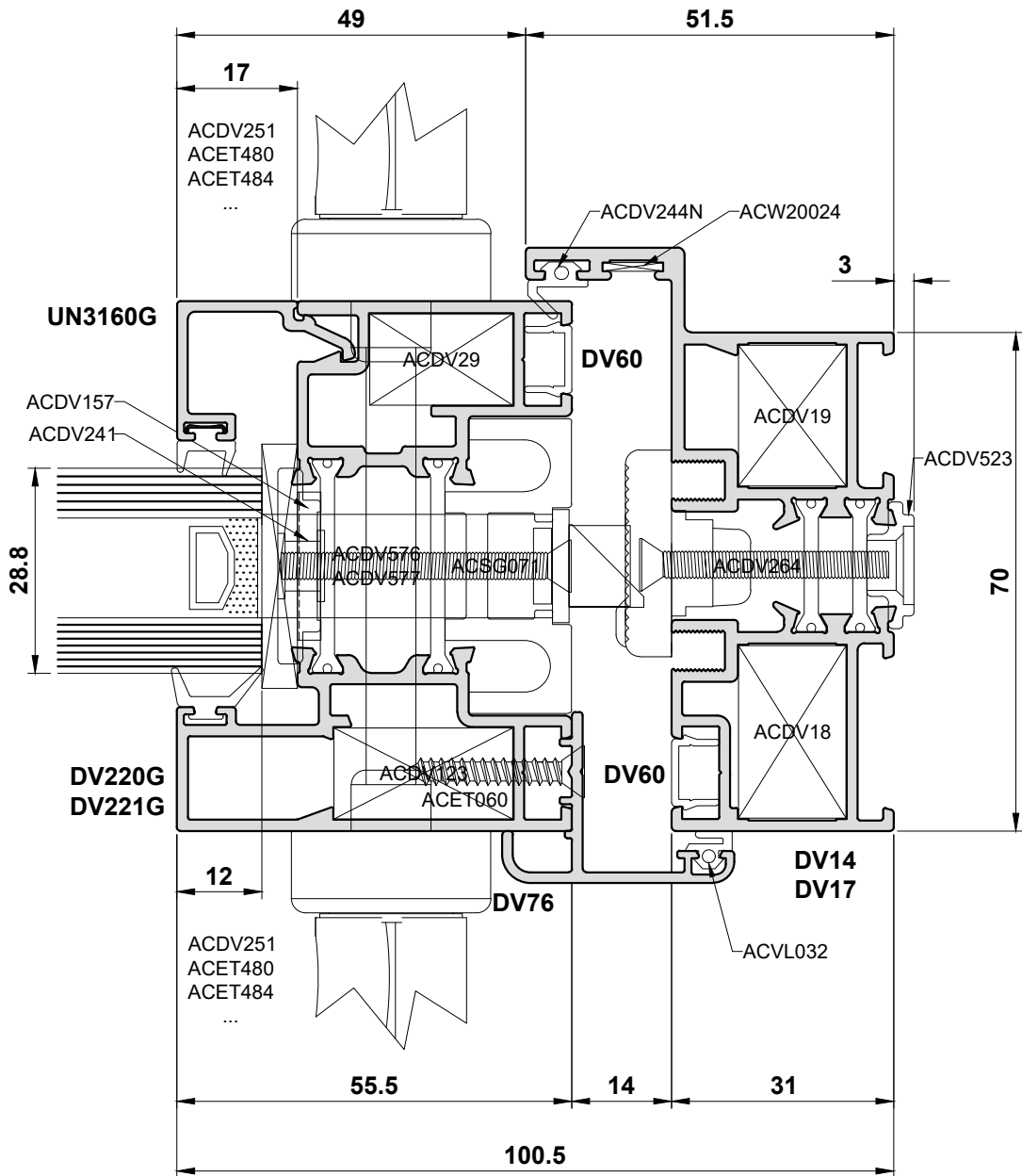
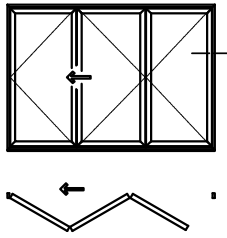
Do Not Scale From This Drawing

Open Out - Detail 6C



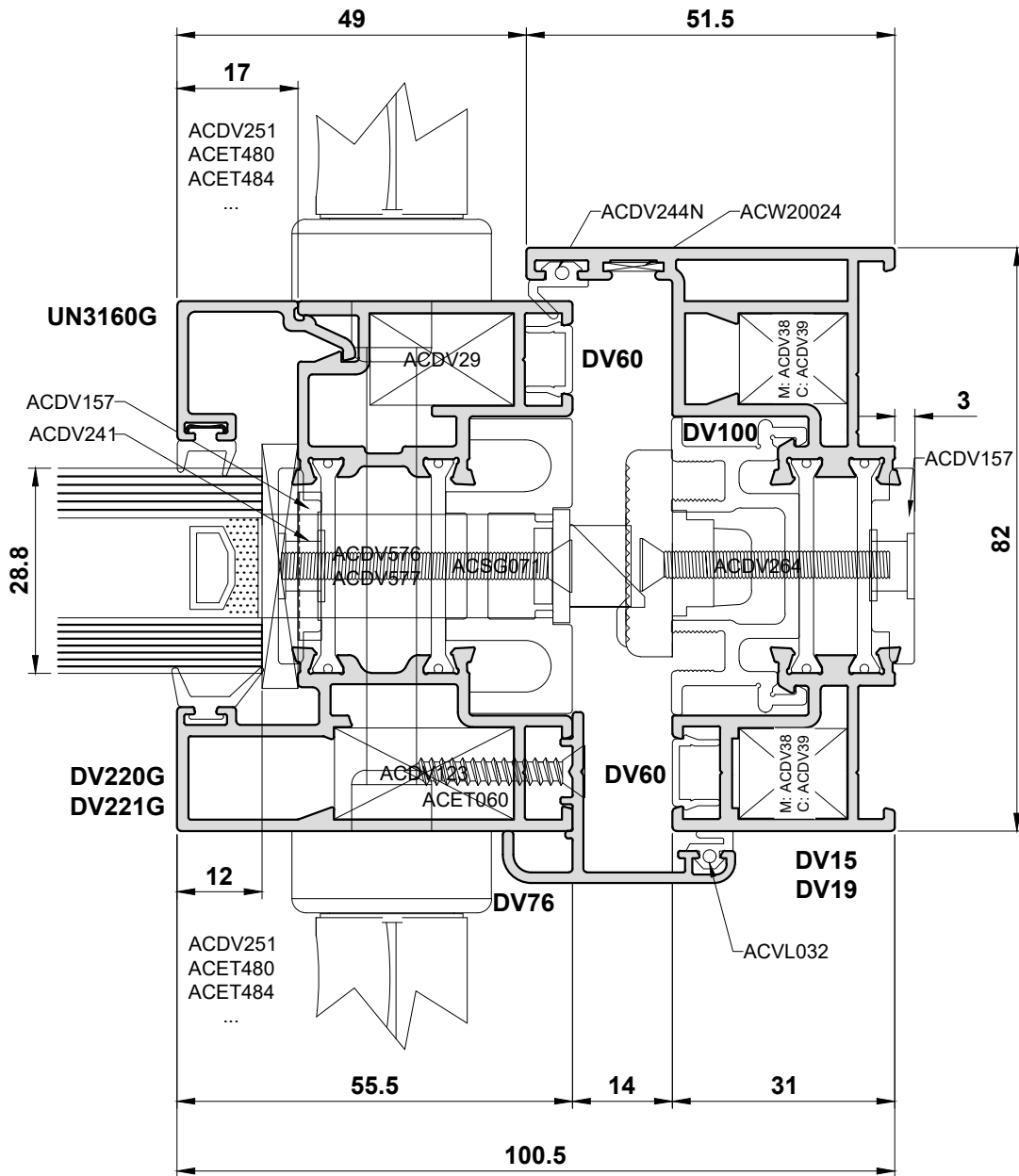
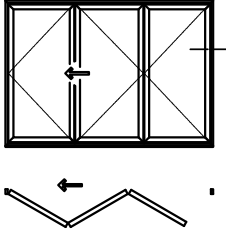
Do Not Scale From This Drawing

Open Out - Detail 7A



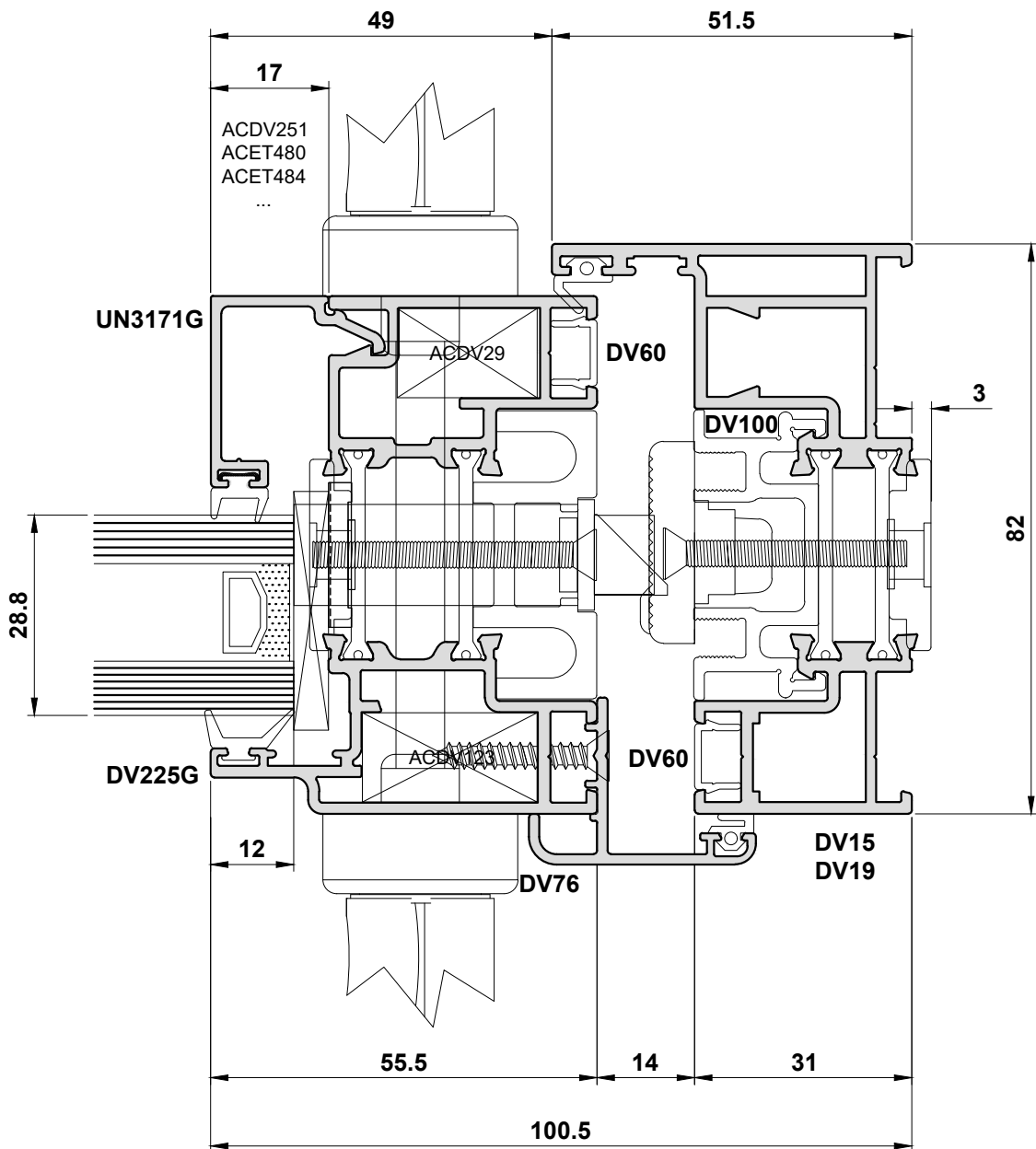
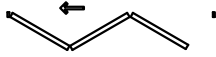
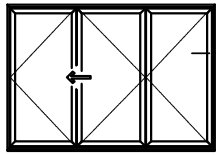
Do Not Scale From This Drawing

Open Out - Detail 7B



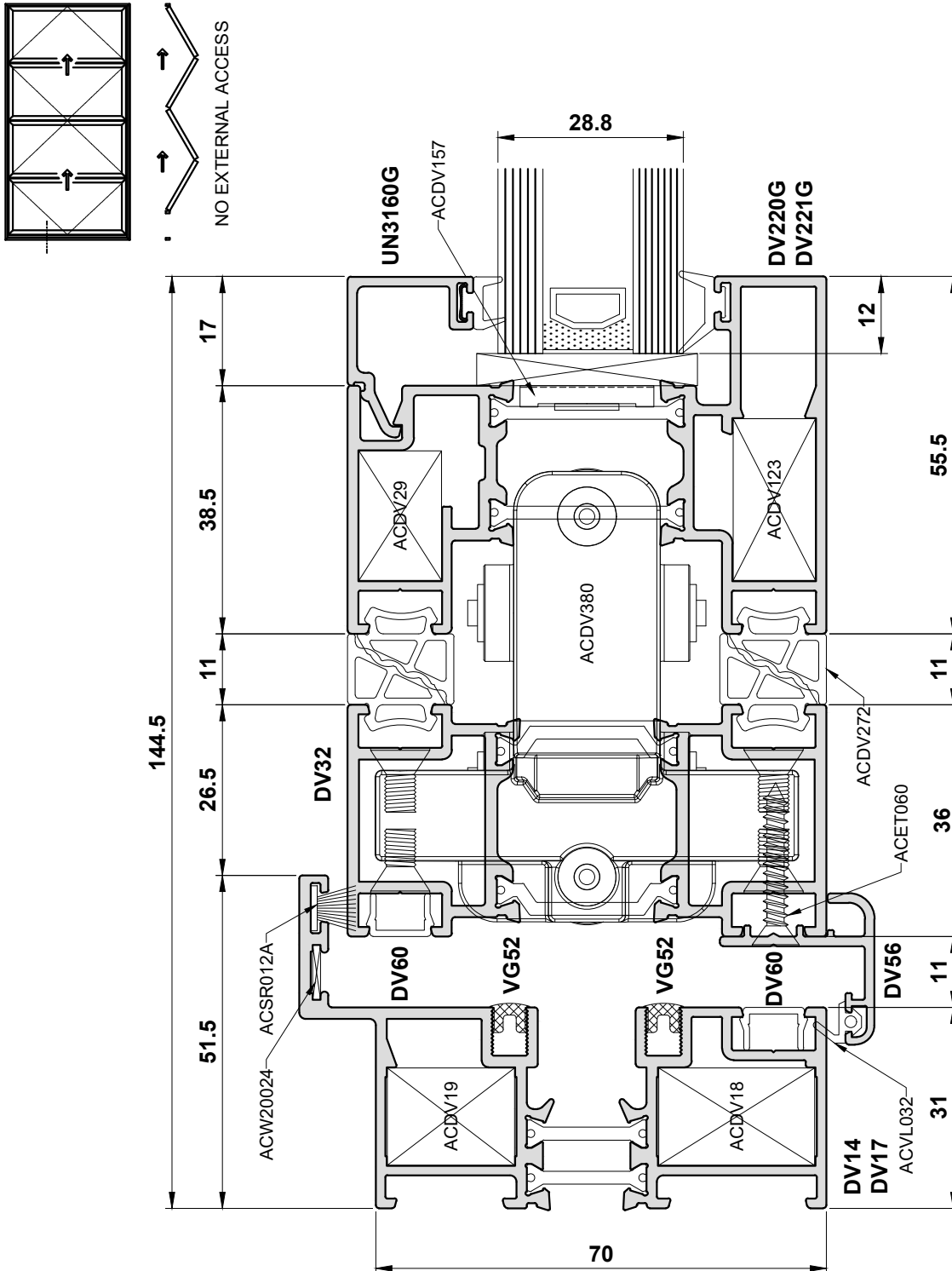
Do Not Scale From This Drawing

Open Out - Detail 7C



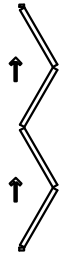
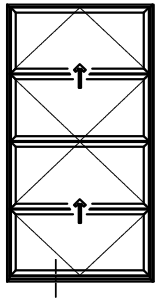
Do Not Scale From This Drawing

Open Out - Detail 8A

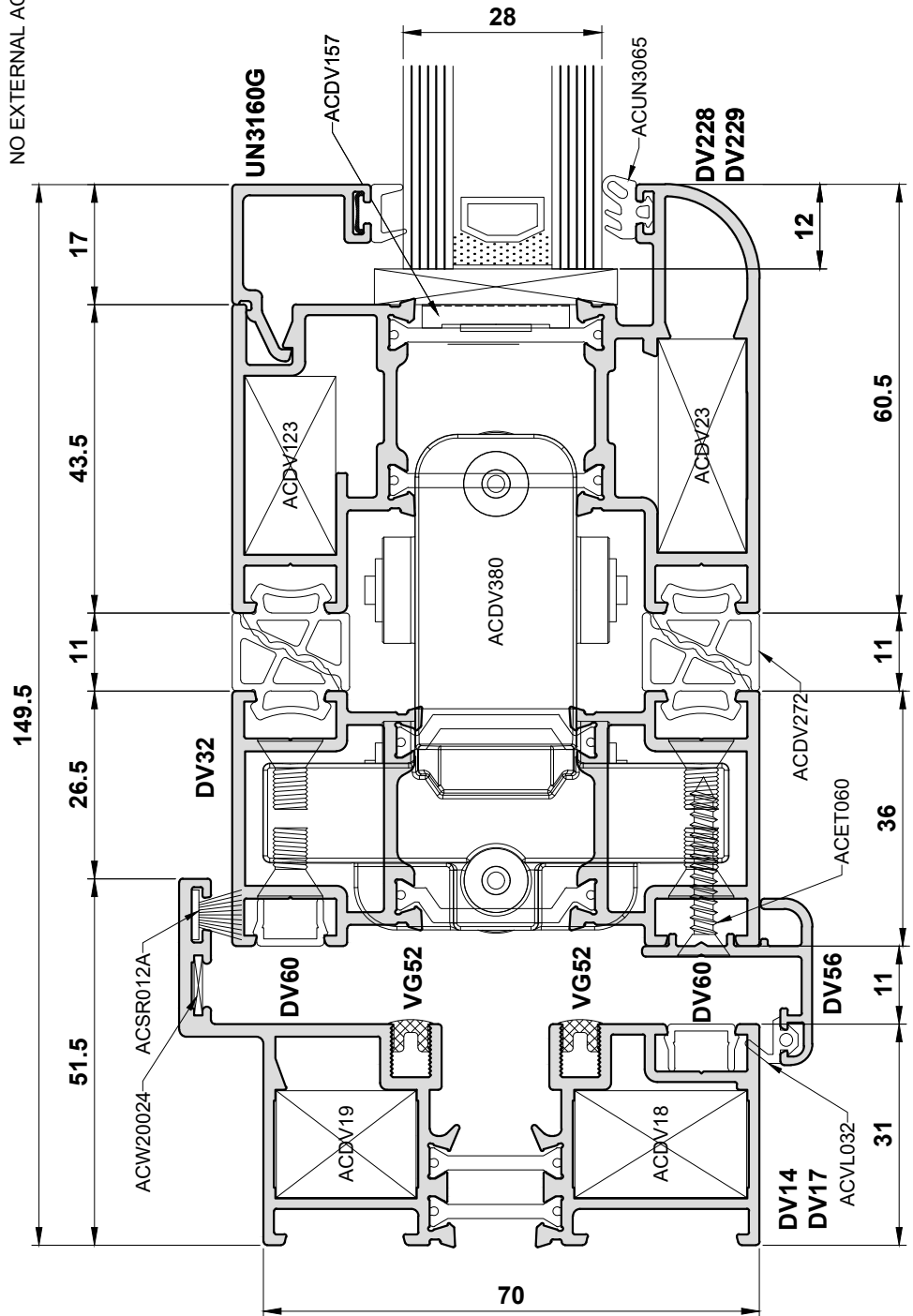


Do Not Scale From This Drawing

Open Out - Detail 8B

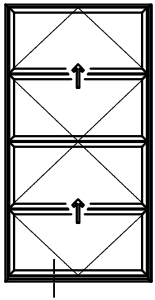


NO EXTERNAL ACCESS

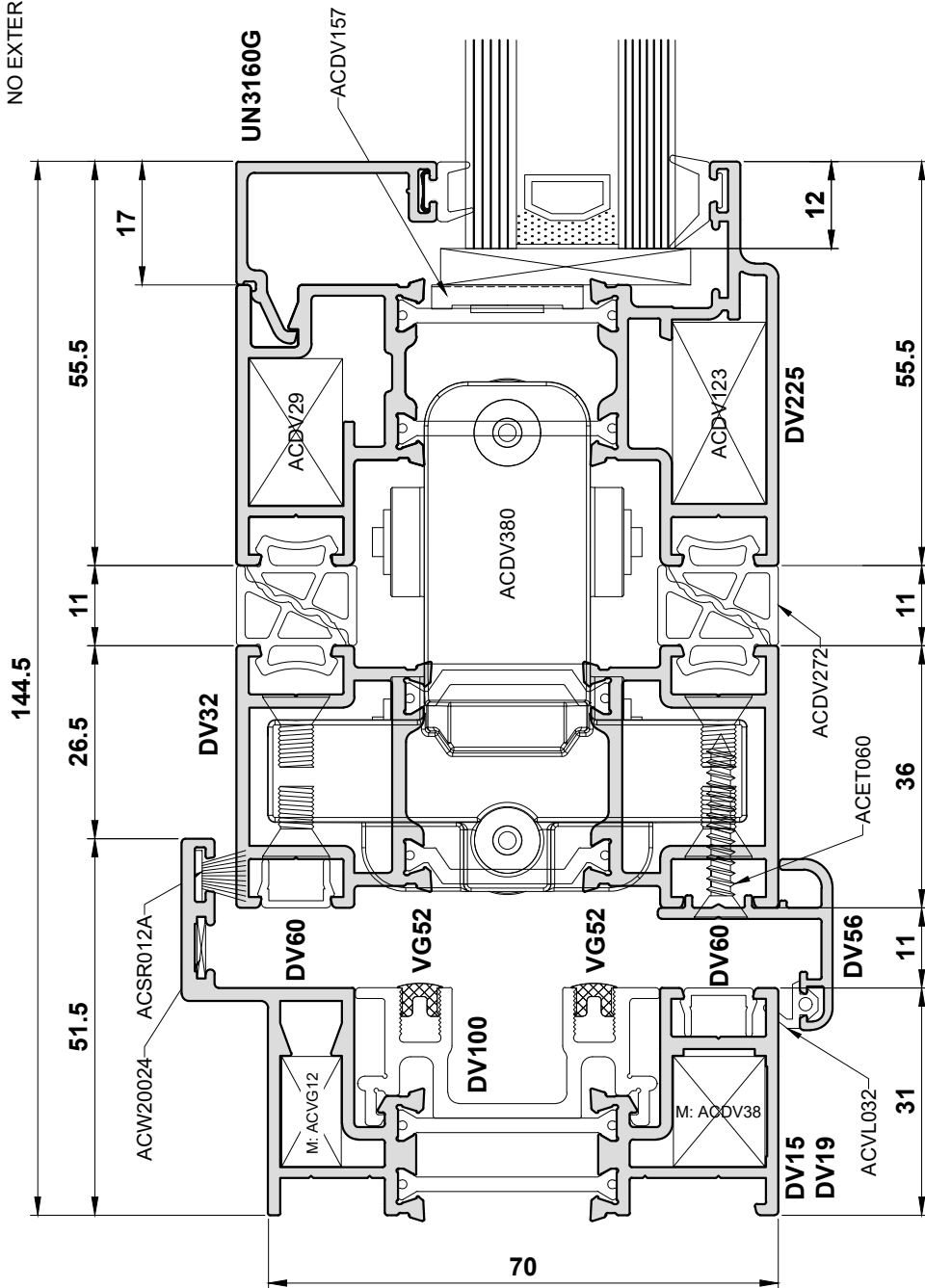


Do Not Scale From This Drawing

Open Out - Detail 8C

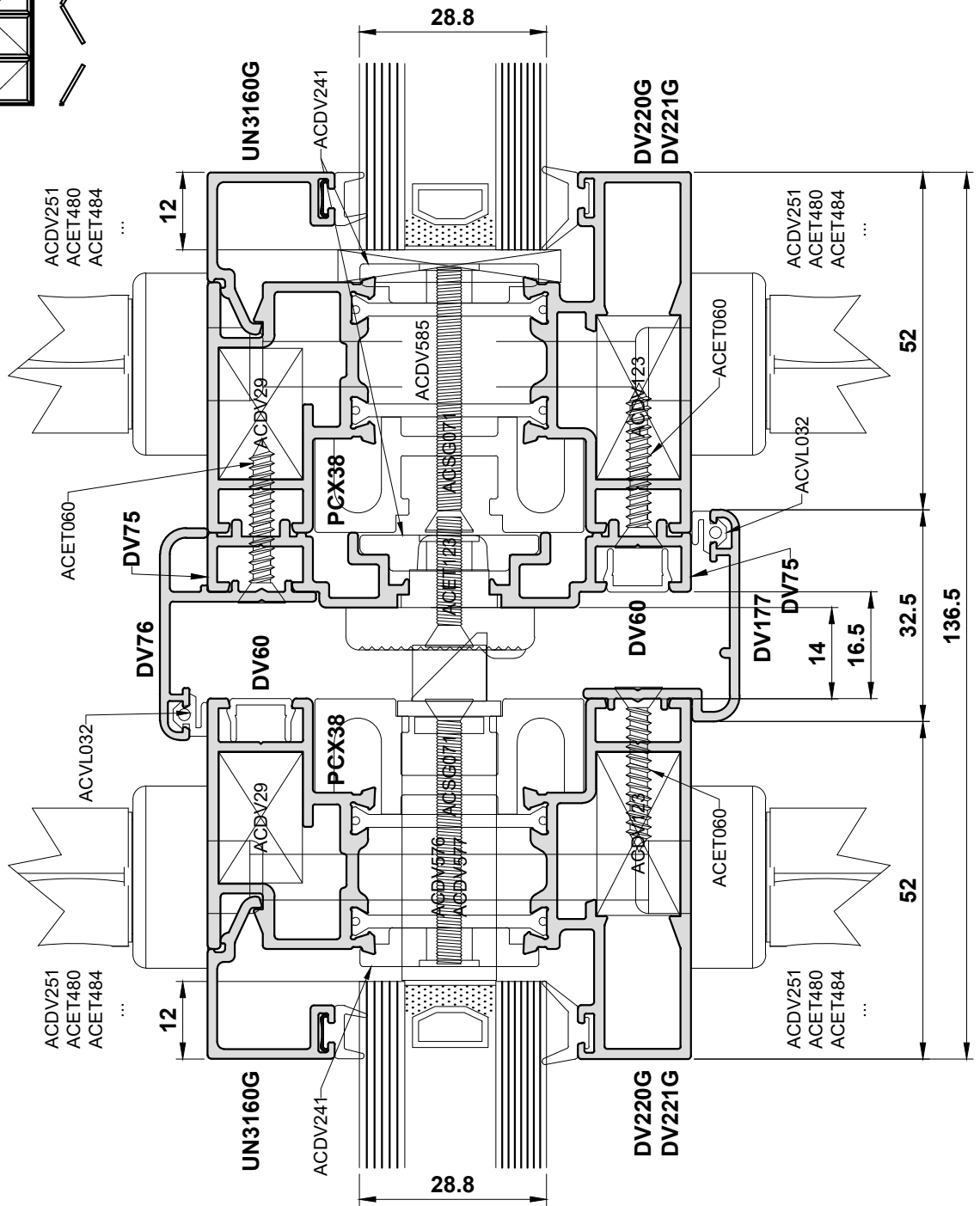
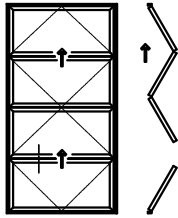


NO EXTERNAL ACCESS



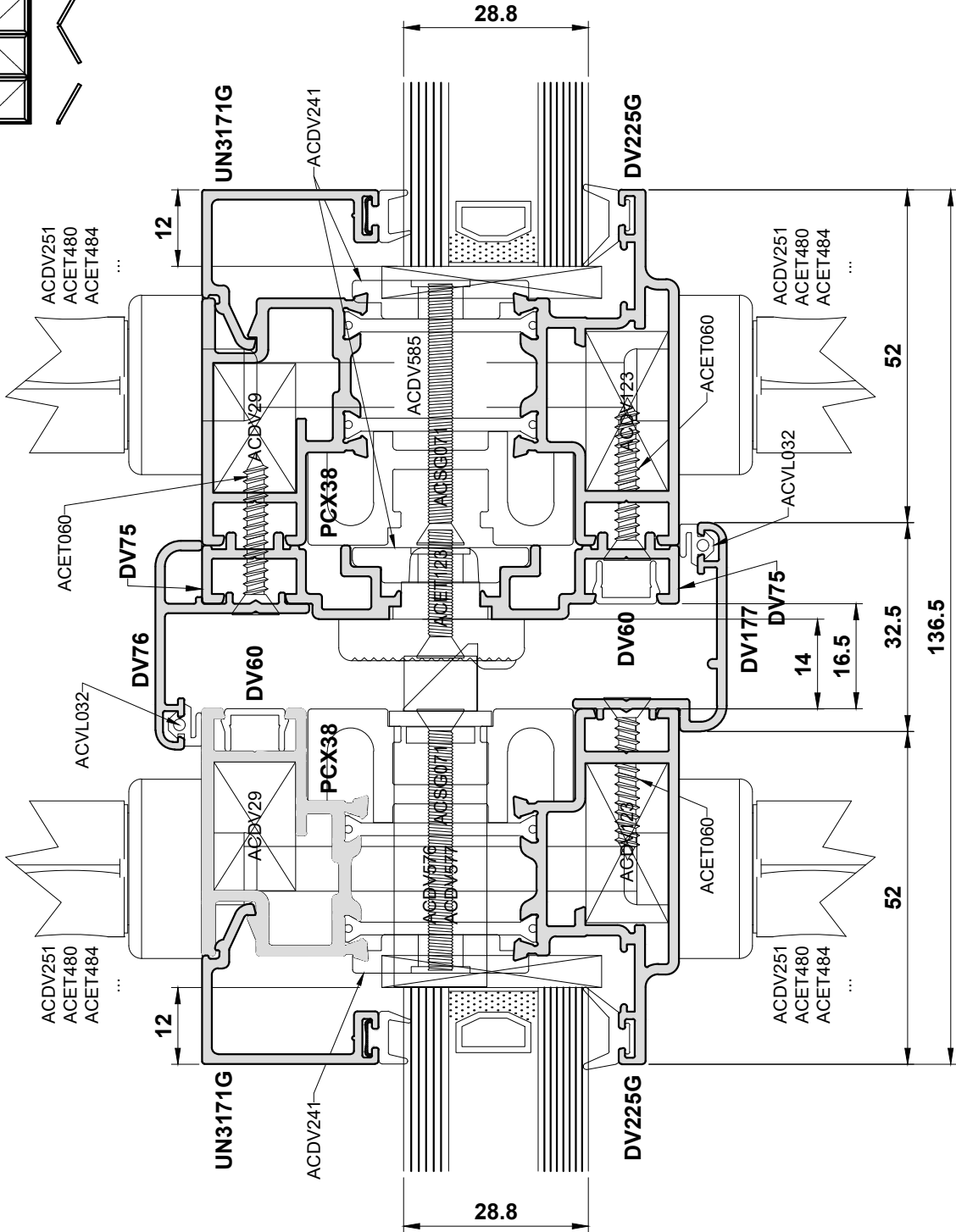
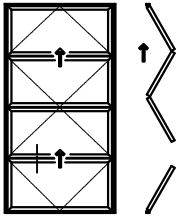
Do Not Scale From This Drawing

Open Out - Detail 9A

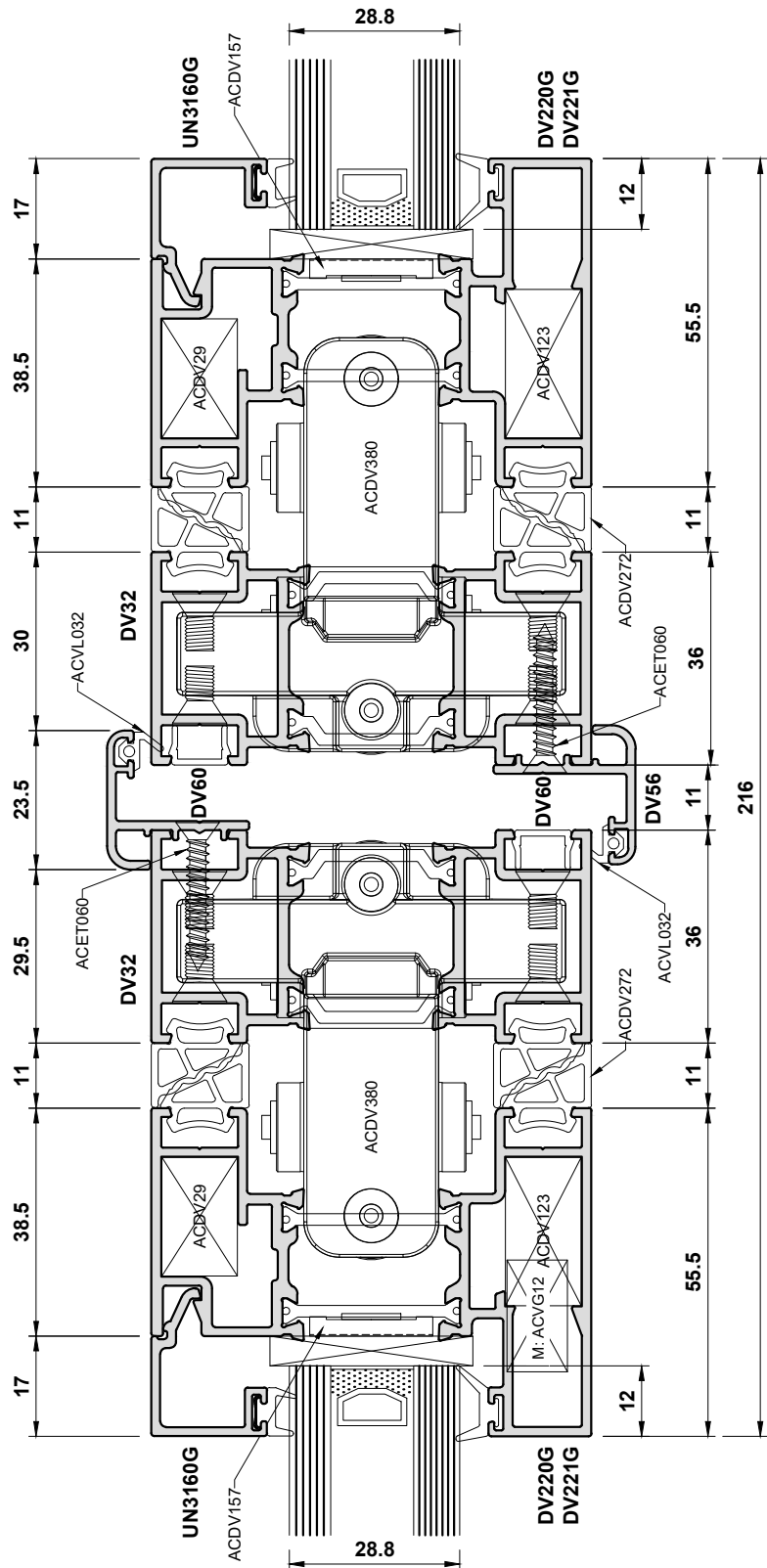
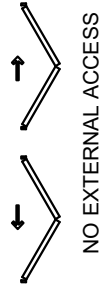
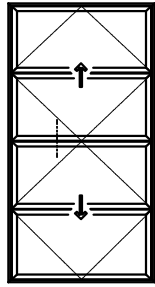


Do Not Scale From This Drawing

Open Out - Detail 9B

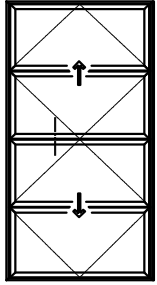


Do Not Scale From This Drawing

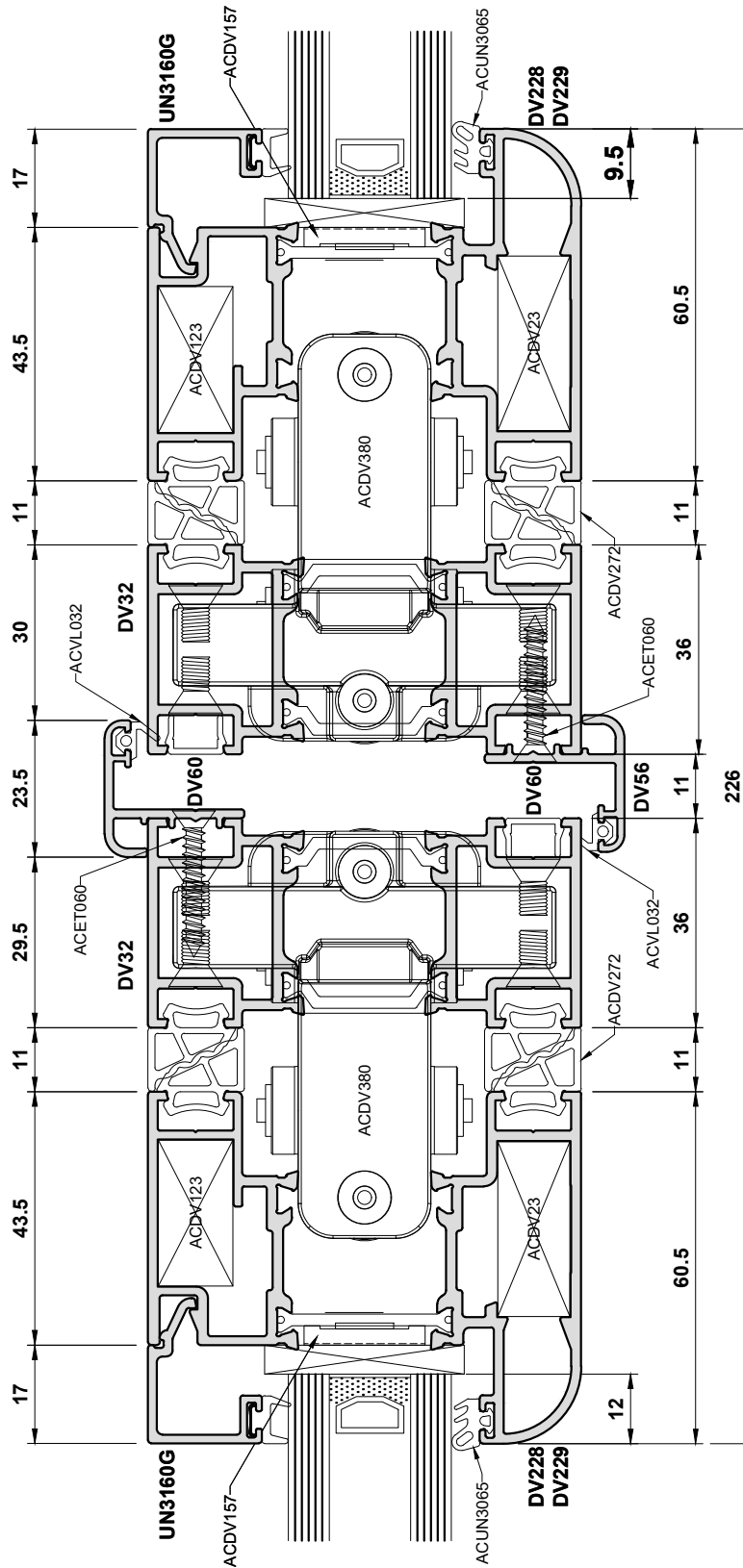


NOT TO SCALE

Do Not Scale From This Drawing



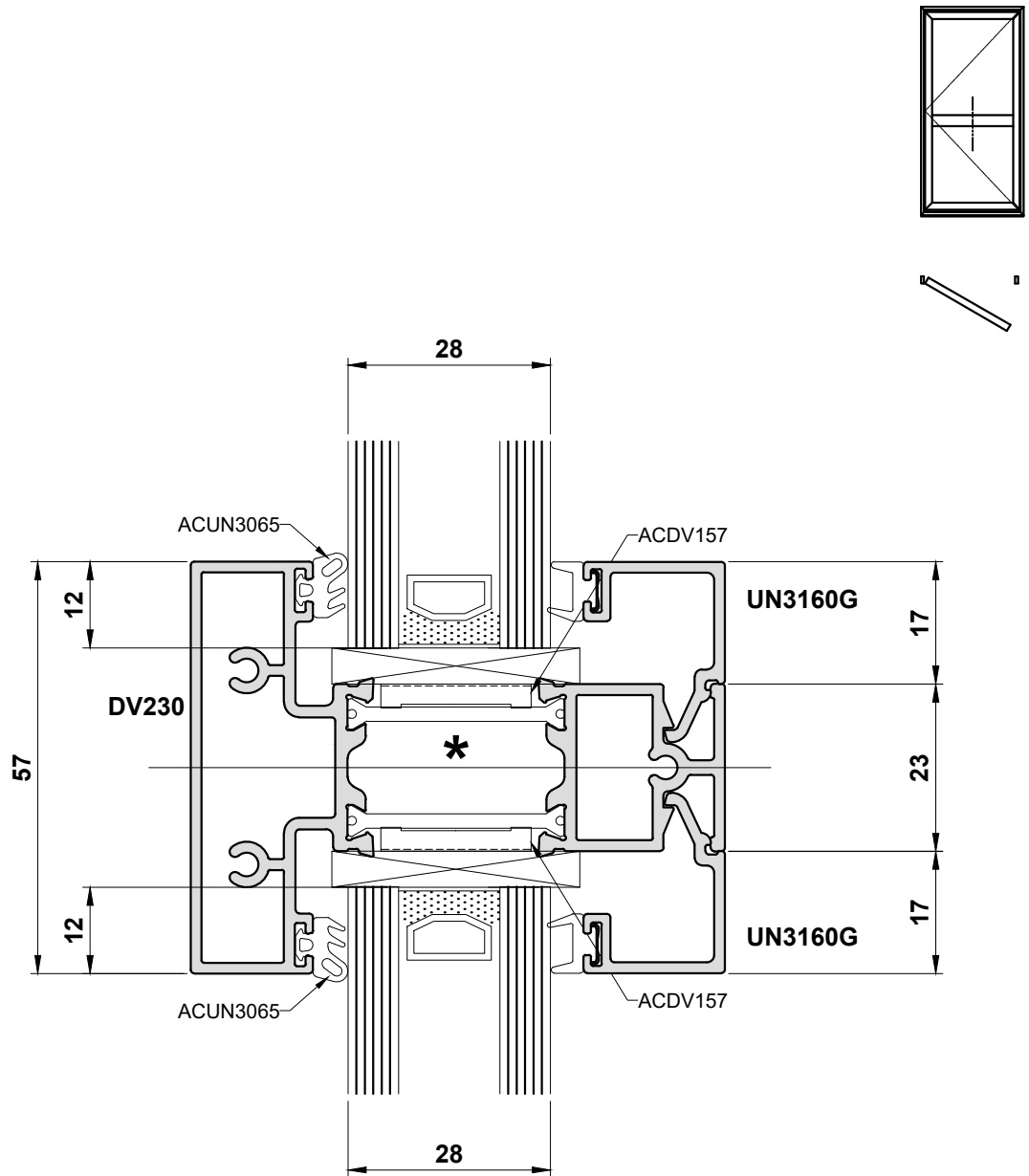
NO EXTERNAL ACCESS



NOT TO SCALE

Do Not Scale From This Drawing

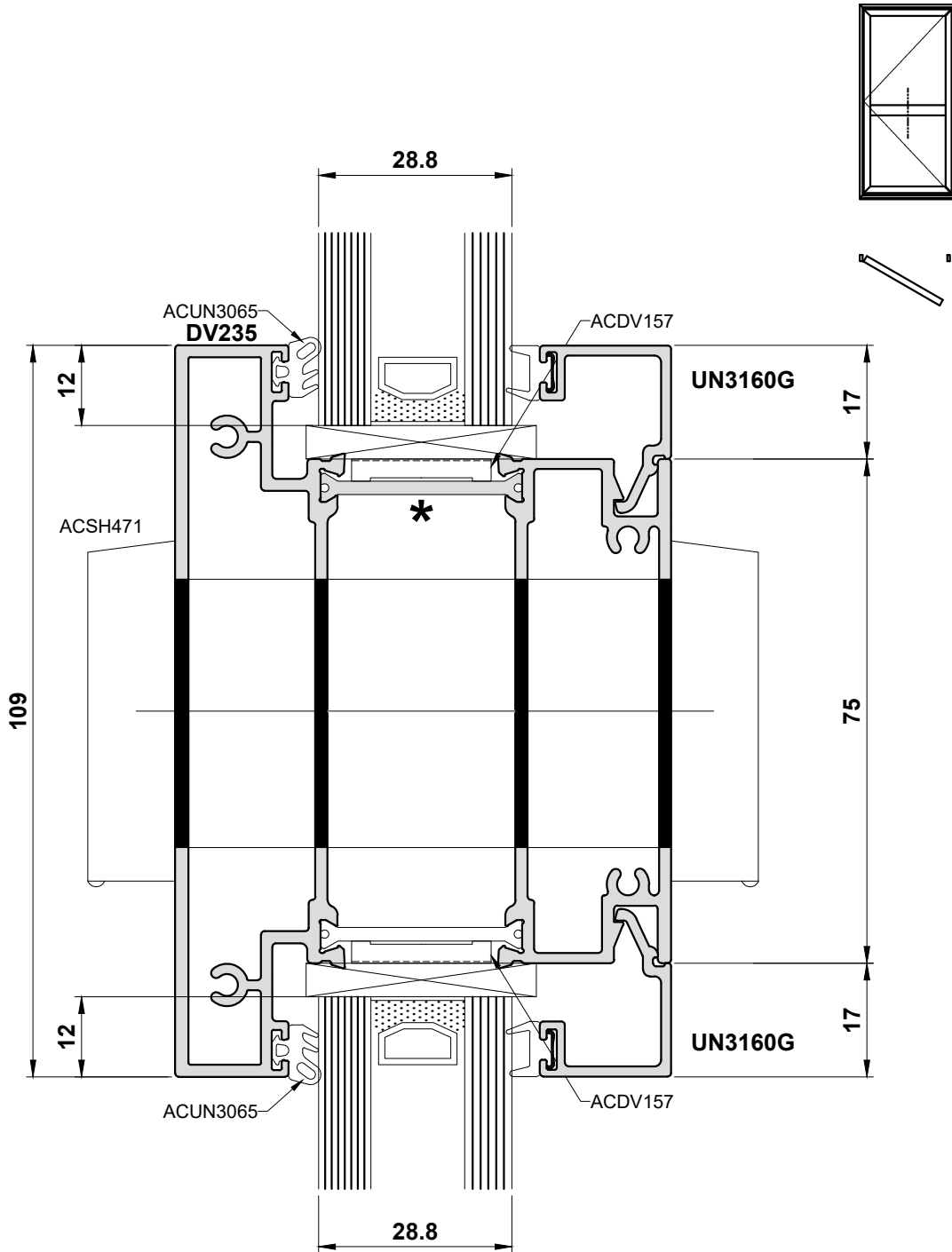
Open Out - Detail 12A



* Drained at join to stile

Do Not Scale From This Drawing

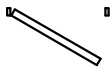
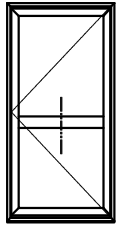
Open Out - Detail 12B



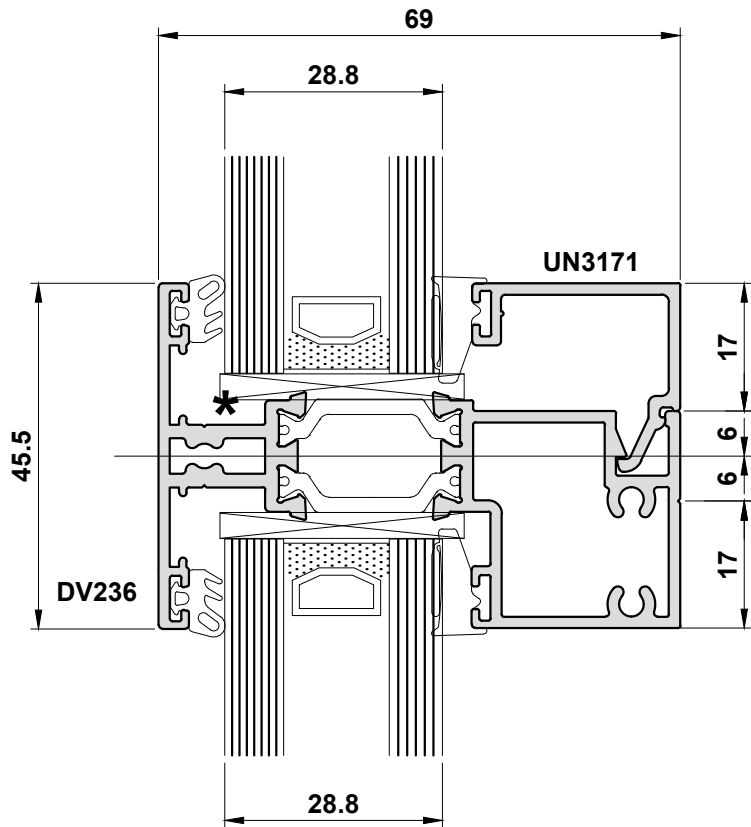
* Drained at join to stile

Do Not Scale From This Drawing

Open Out - Detail 12C

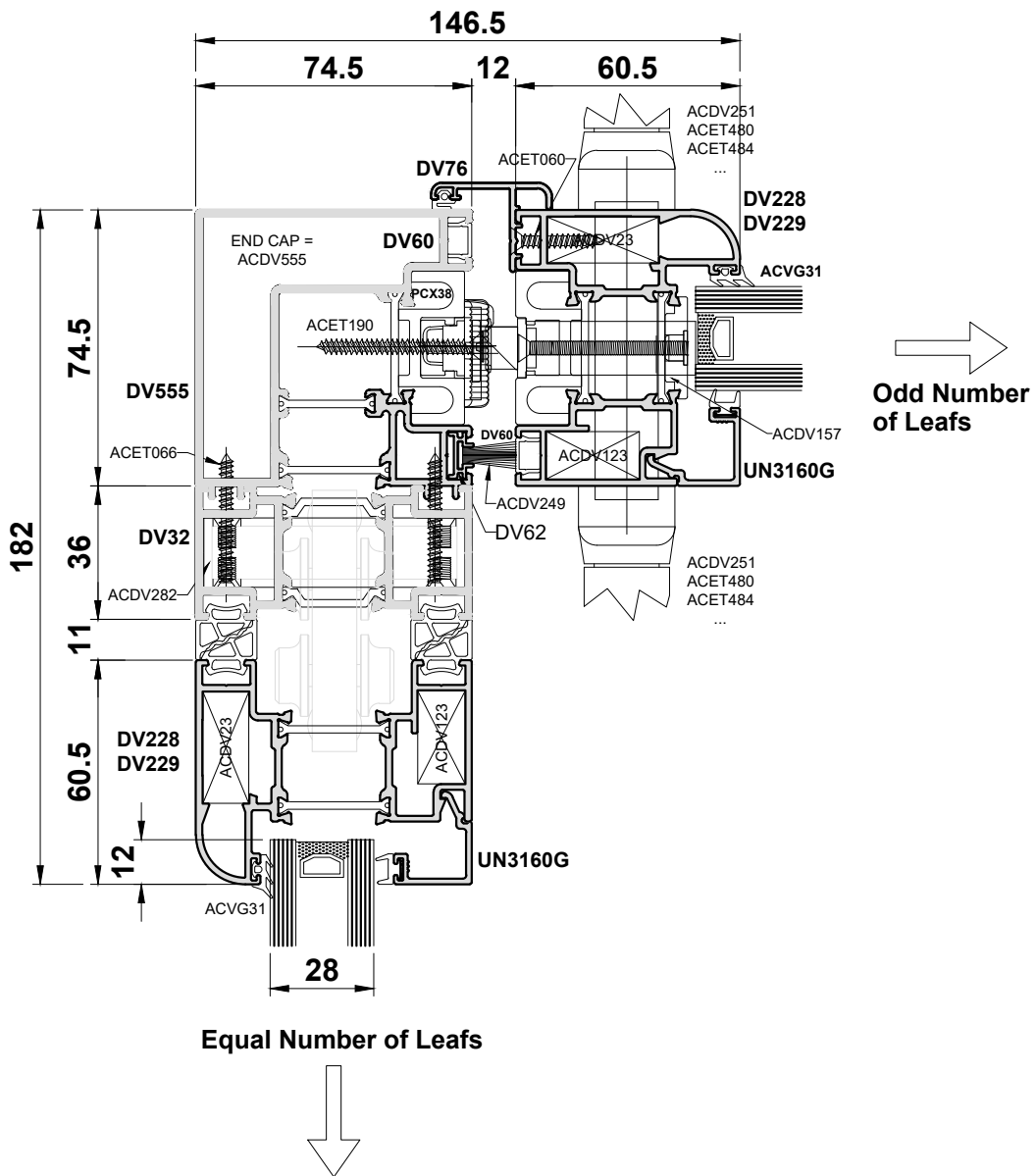
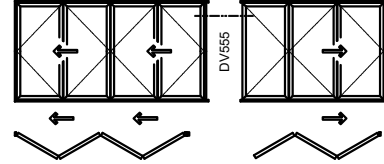


DV236 is Compatible with DV225 Only



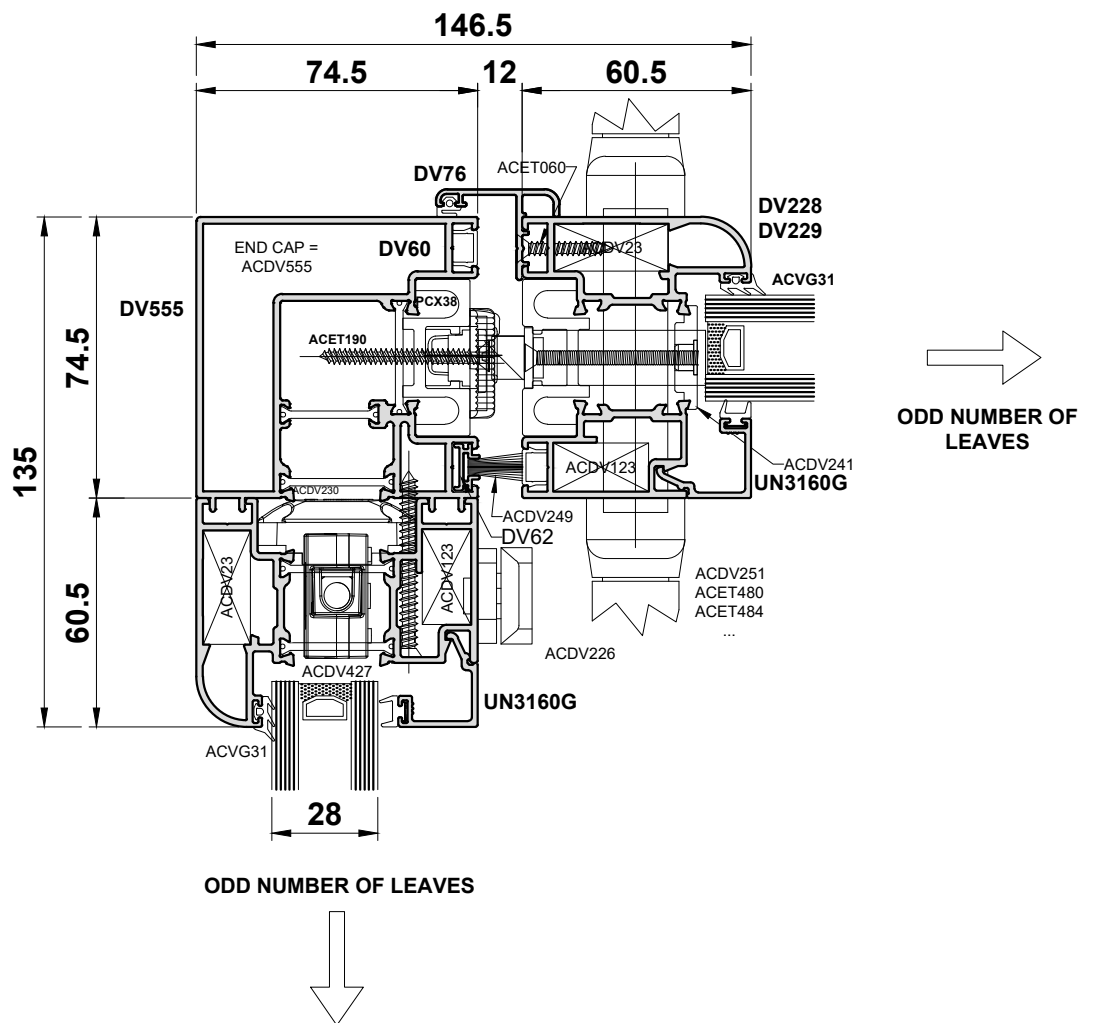
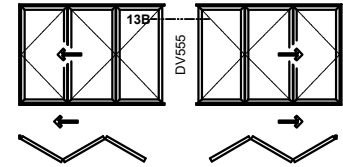
* Drained at join to stile

Do Not Scale From This Drawing



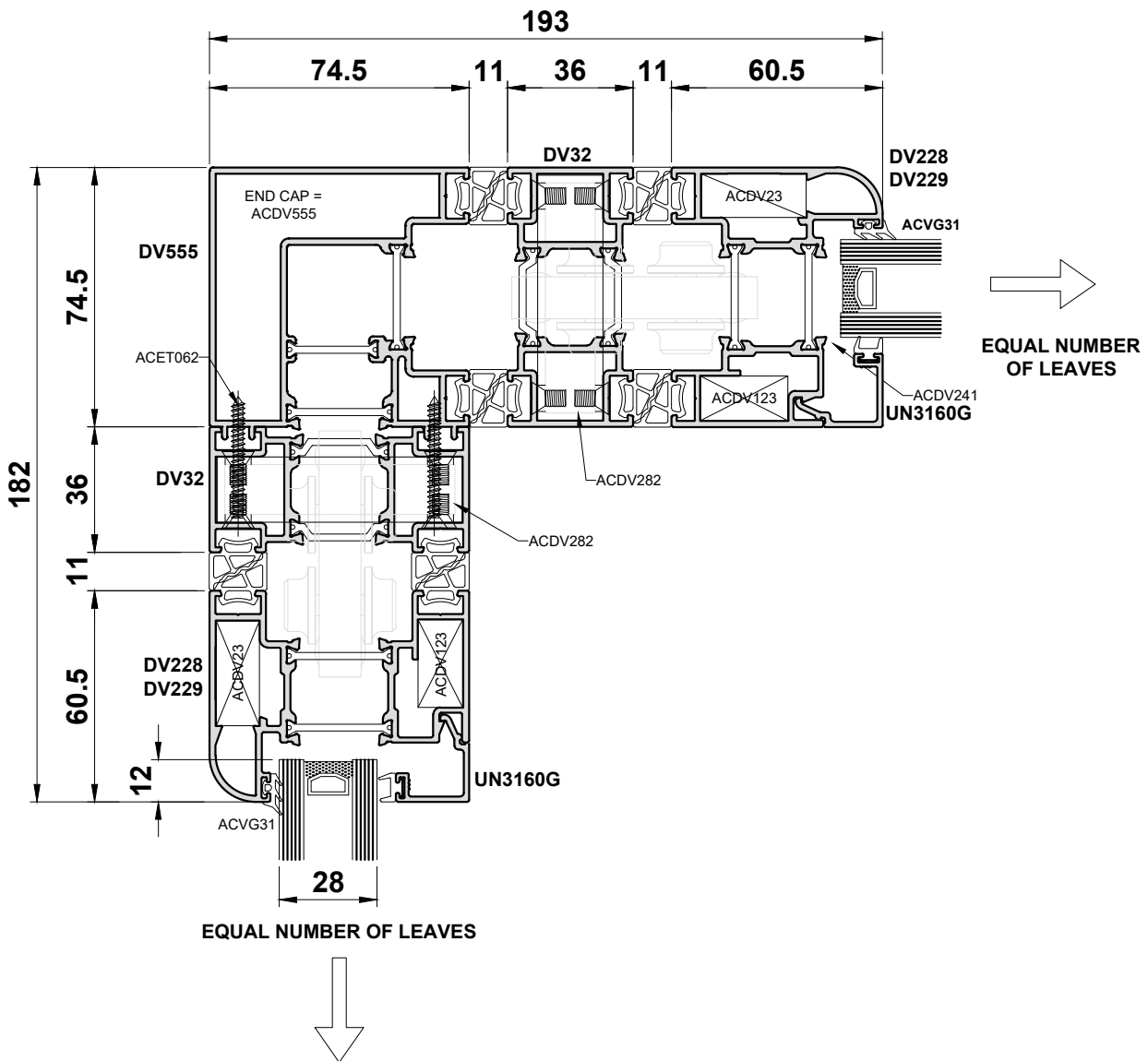
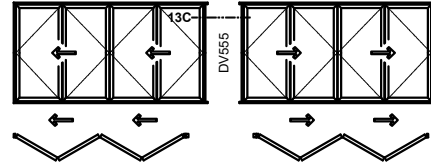
NOT TO SCALE

Do Not Scale From This Drawing



NOT TO SCALE

Do Not Scale From This Drawing

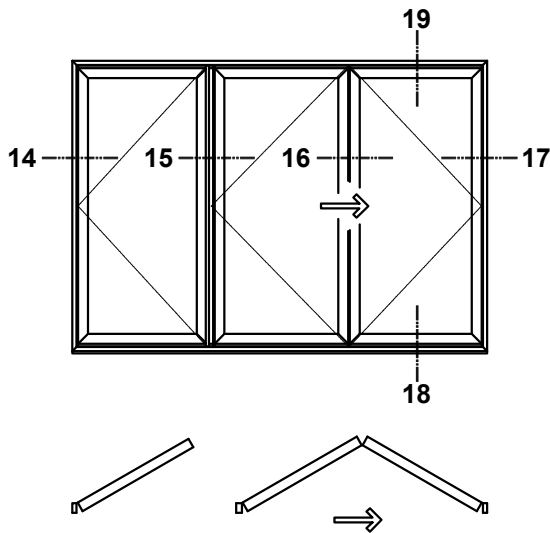


NOT TO SCALE

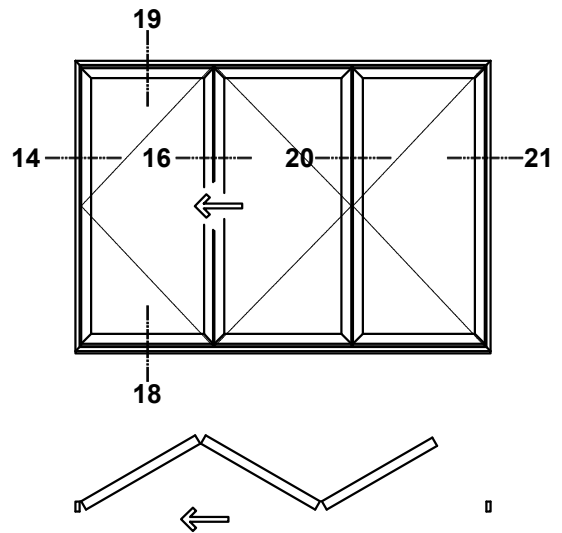
Do Not Scale From This Drawing

Open In

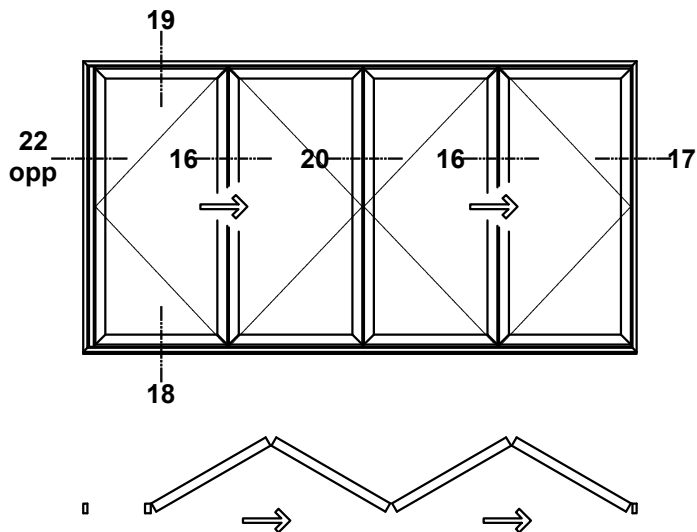
Type 1i
3-2-1



Type 2i
3-3-0



Type 3i
4-4-0

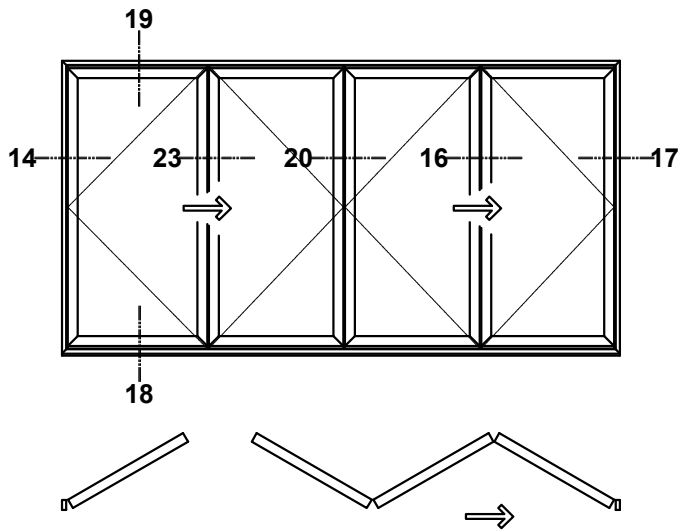


NO EXTERNAL ACCESS OR TRAFFIC DOOR WITH
TYPE 3i CONFIGURATION

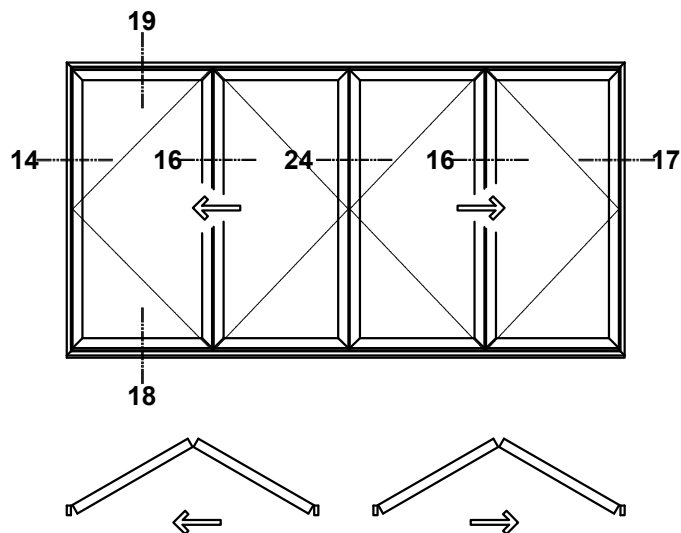
Do Not Scale From This Drawing

Open In

Type 4i
4-3-1



Type 5i
4-2-2

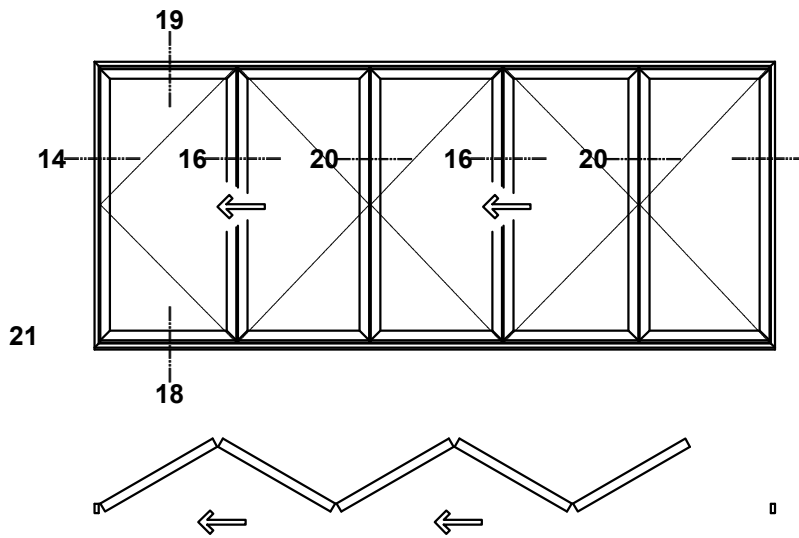


NO EXTERNAL ACCESS OR TRAFFIC DOOR WITH
TYPE 5i CONFIGURATION

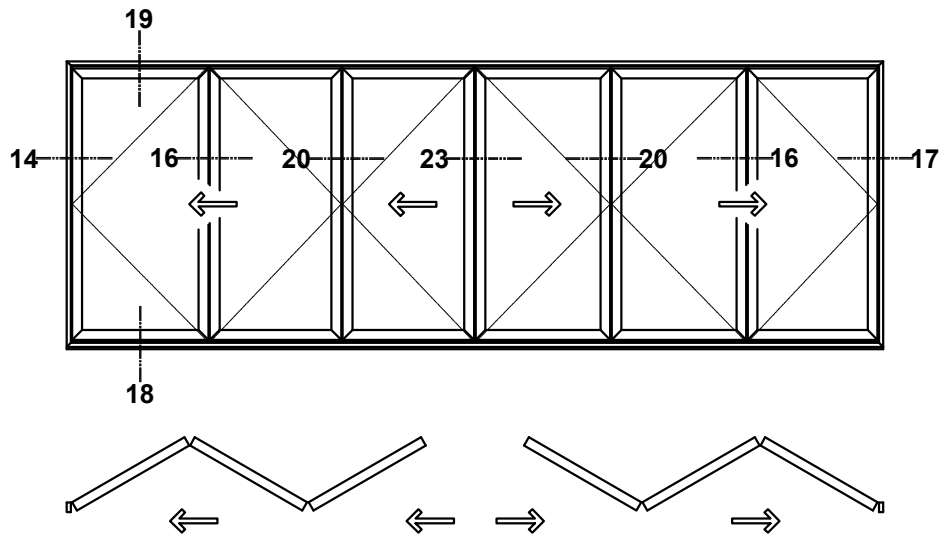
Do Not Scale From This Drawing

Open In

Type 6i
5-5-0



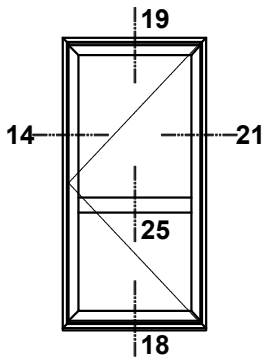
Type 7i
6-3-3



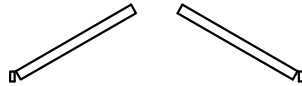
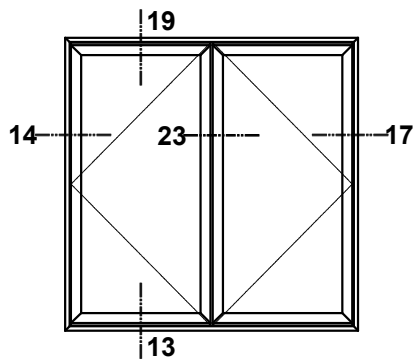
Do Not Scale From This Drawing

Open In

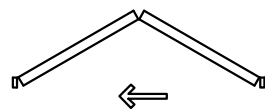
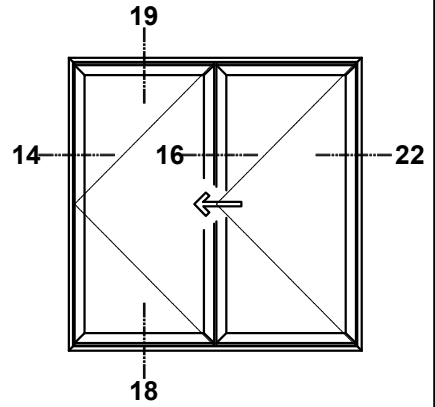
Single Swing Door



Double Swing Door

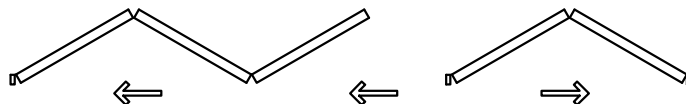
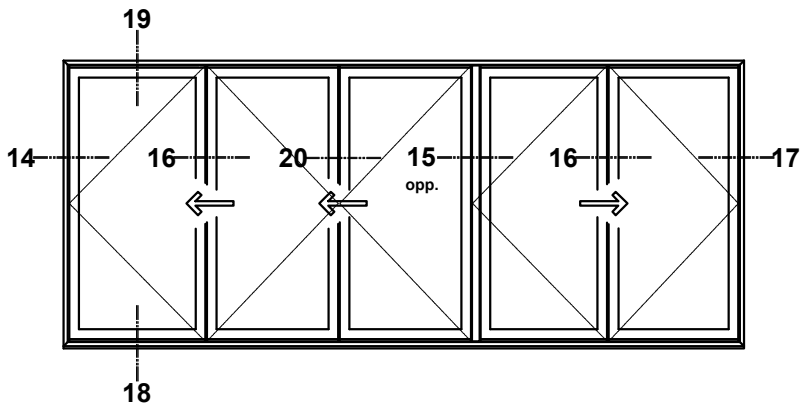


Type 7i
2-2-0



NO EXTERNAL ACCESS OR TRAFFIC DOOR WITH TYPE 7i DOUBLE SLIDE DOOR

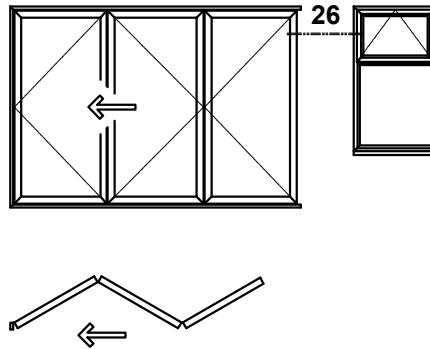
Type 8i
5-3-2



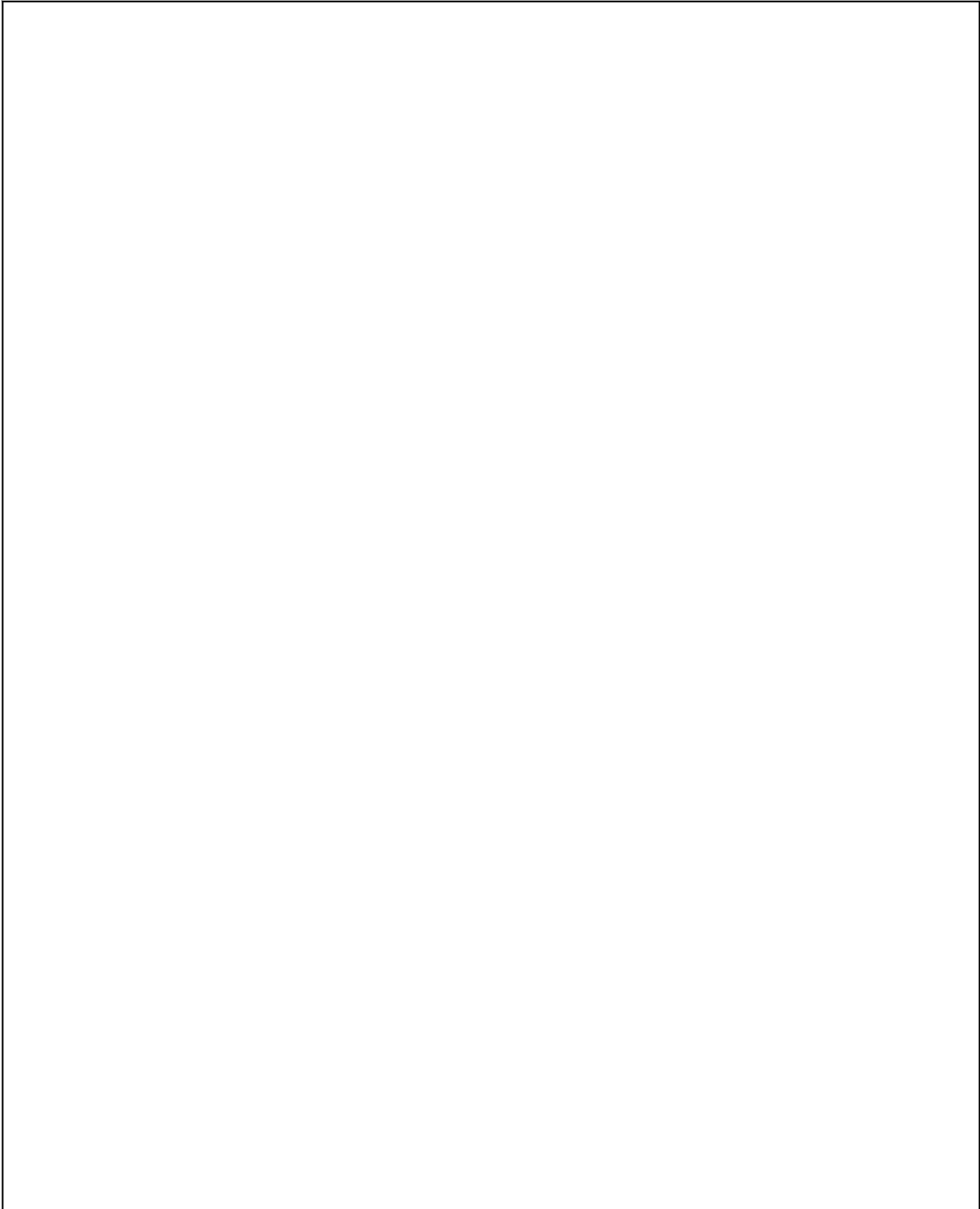
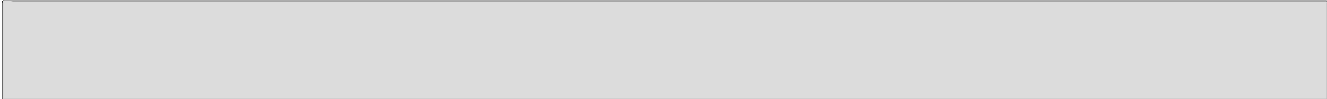
Do Not Scale From This Drawing

Open In

90° Corner Post

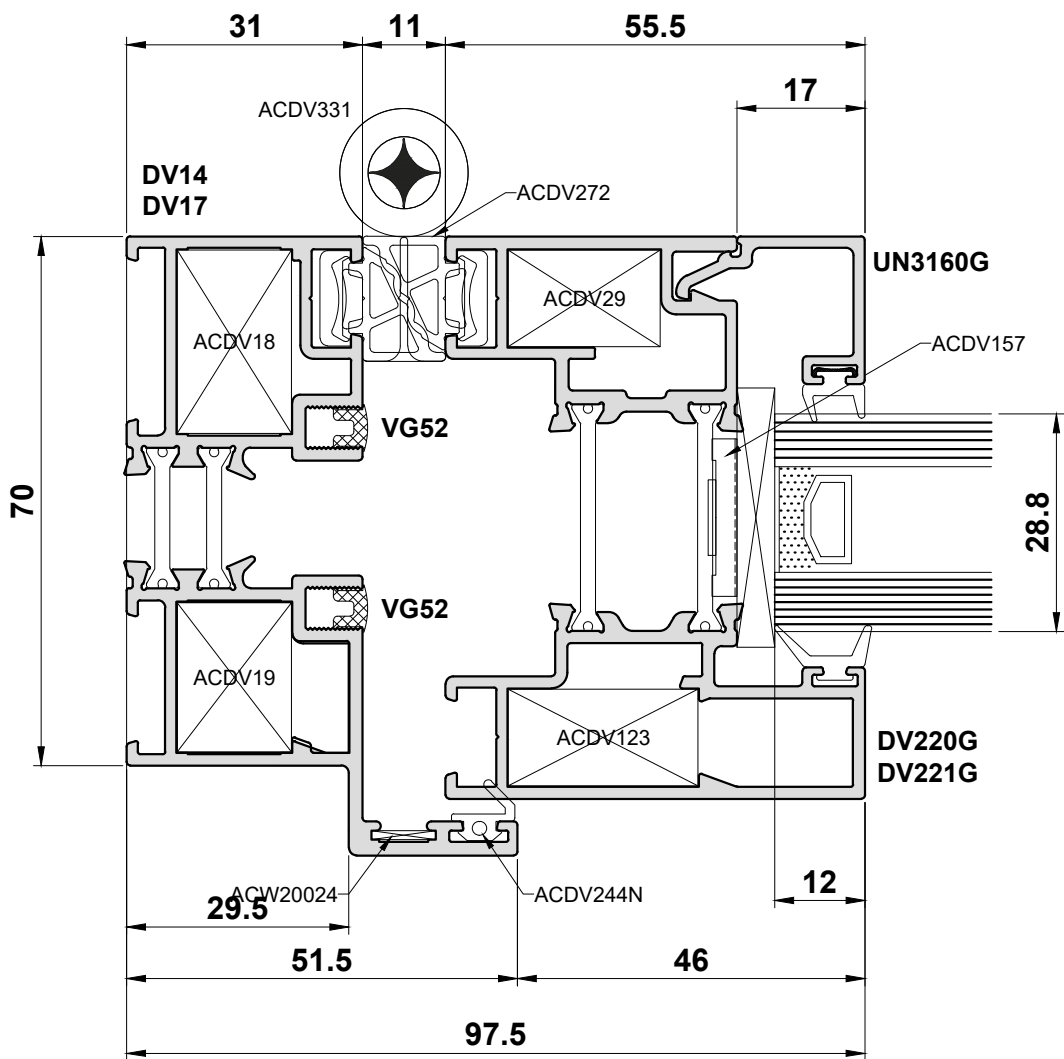
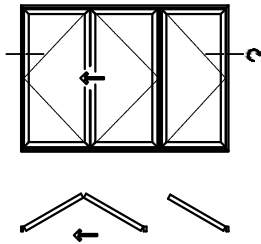


Do Not Scale From This Drawing



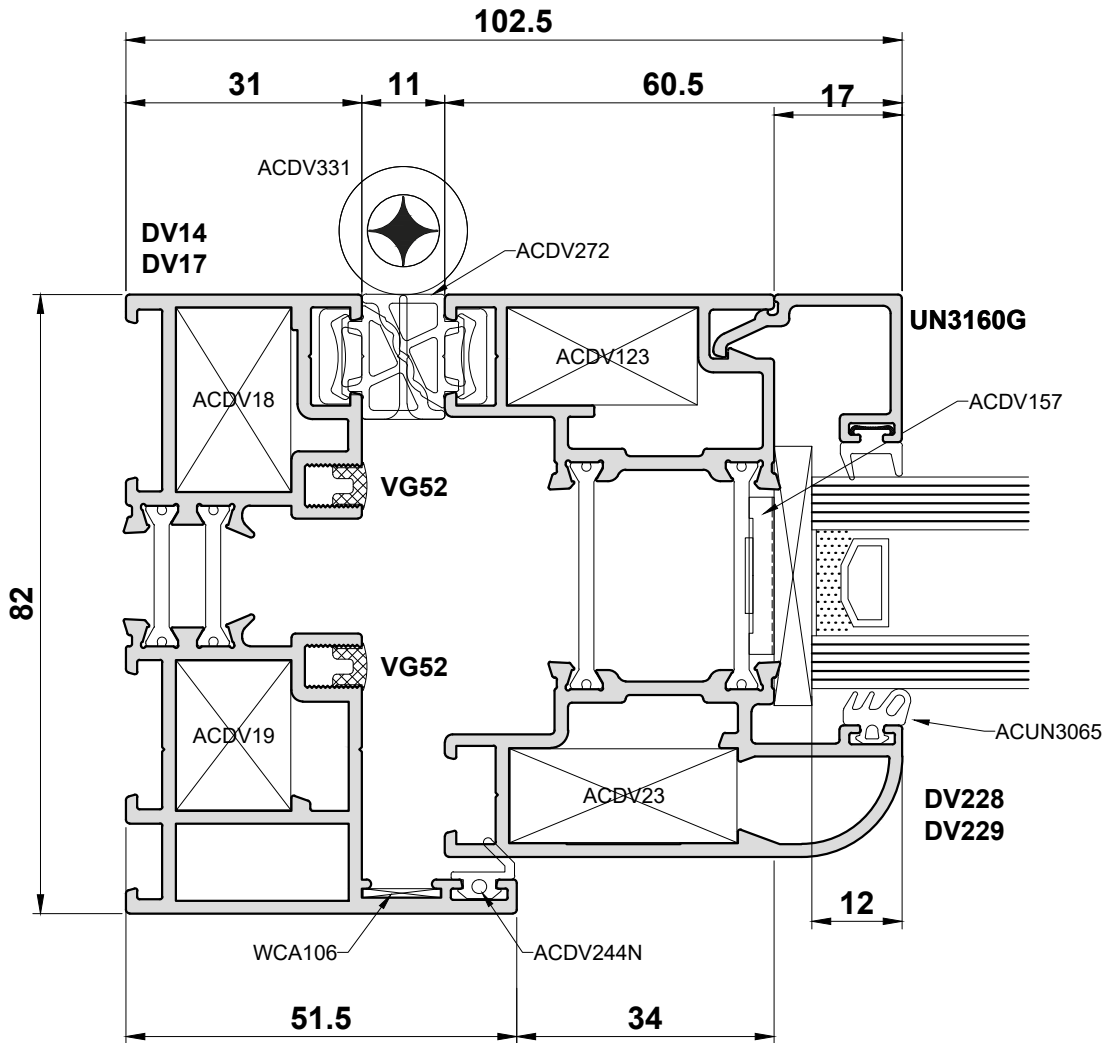
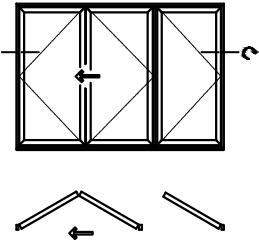
Do Not Scale From This Drawing

Open In - Detail 14A



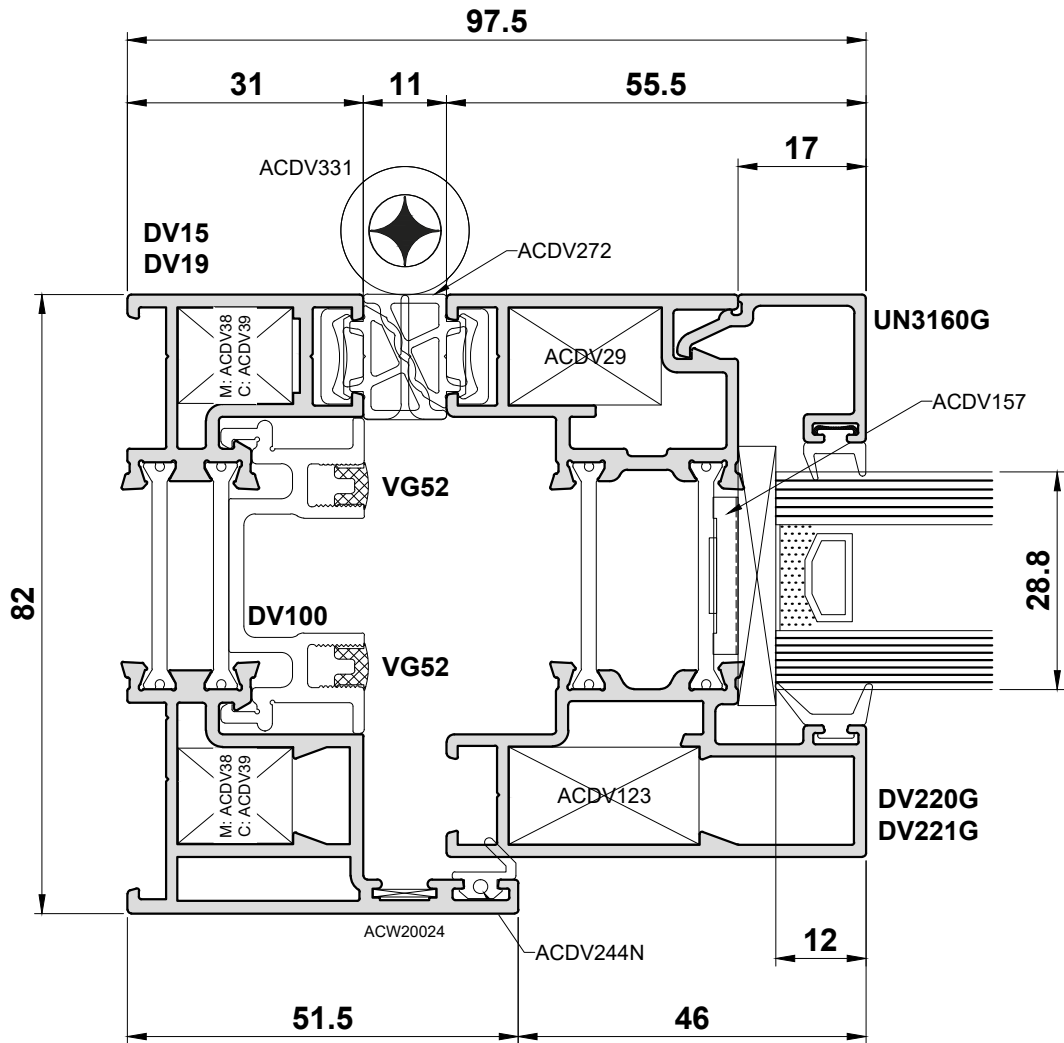
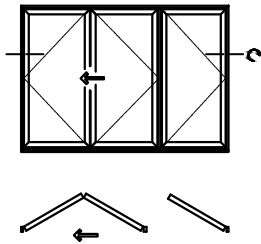
Do Not Scale From This Drawing

Open In - Detail 14B



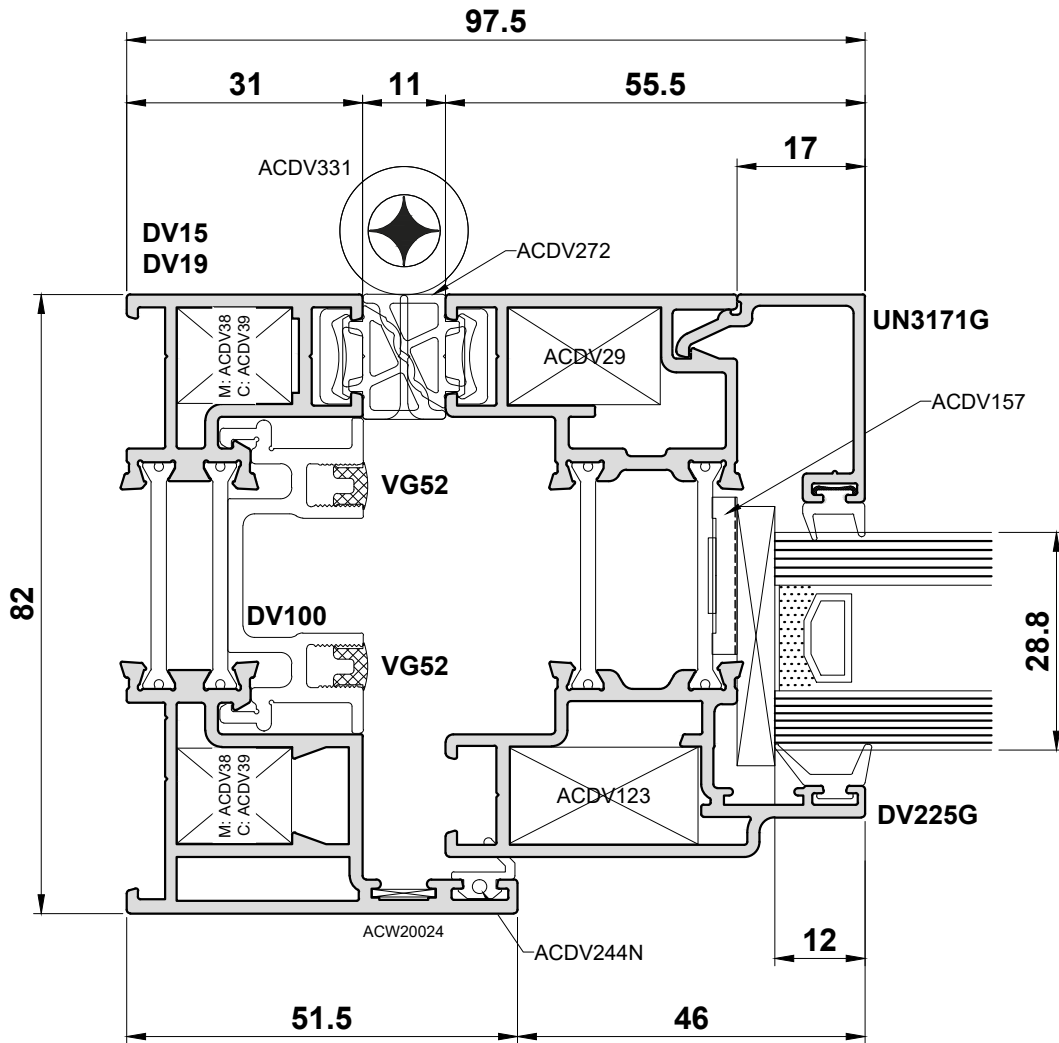
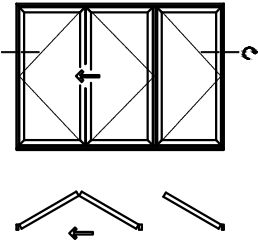
Do Not Scale From This Drawing

Open In - Detail 14C



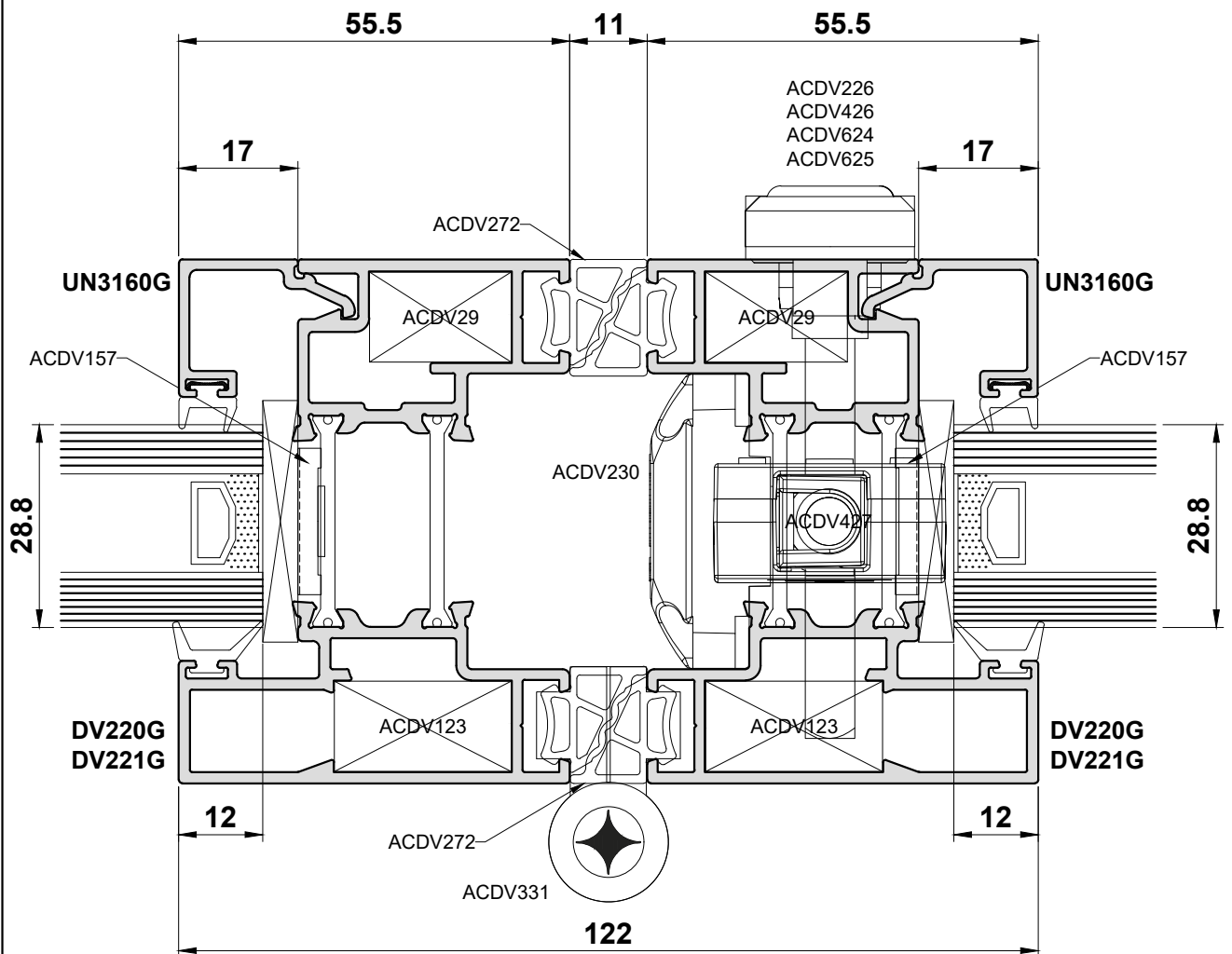
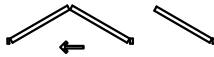
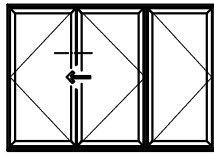
Do Not Scale From This Drawing

Open In - Detail 14D



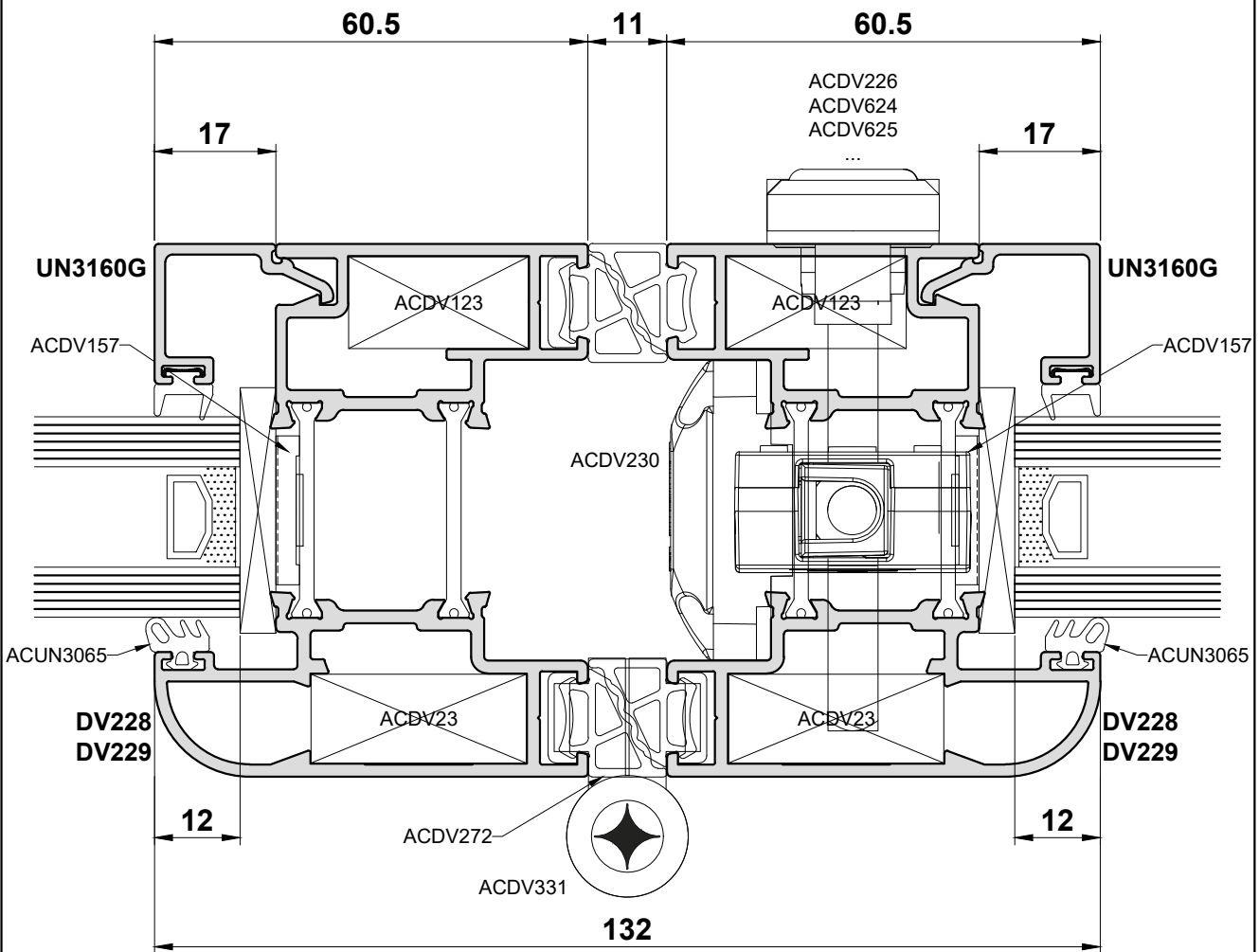
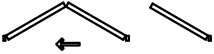
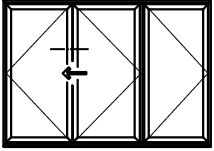
Do Not Scale From This Drawing

Open In - Detail 15A



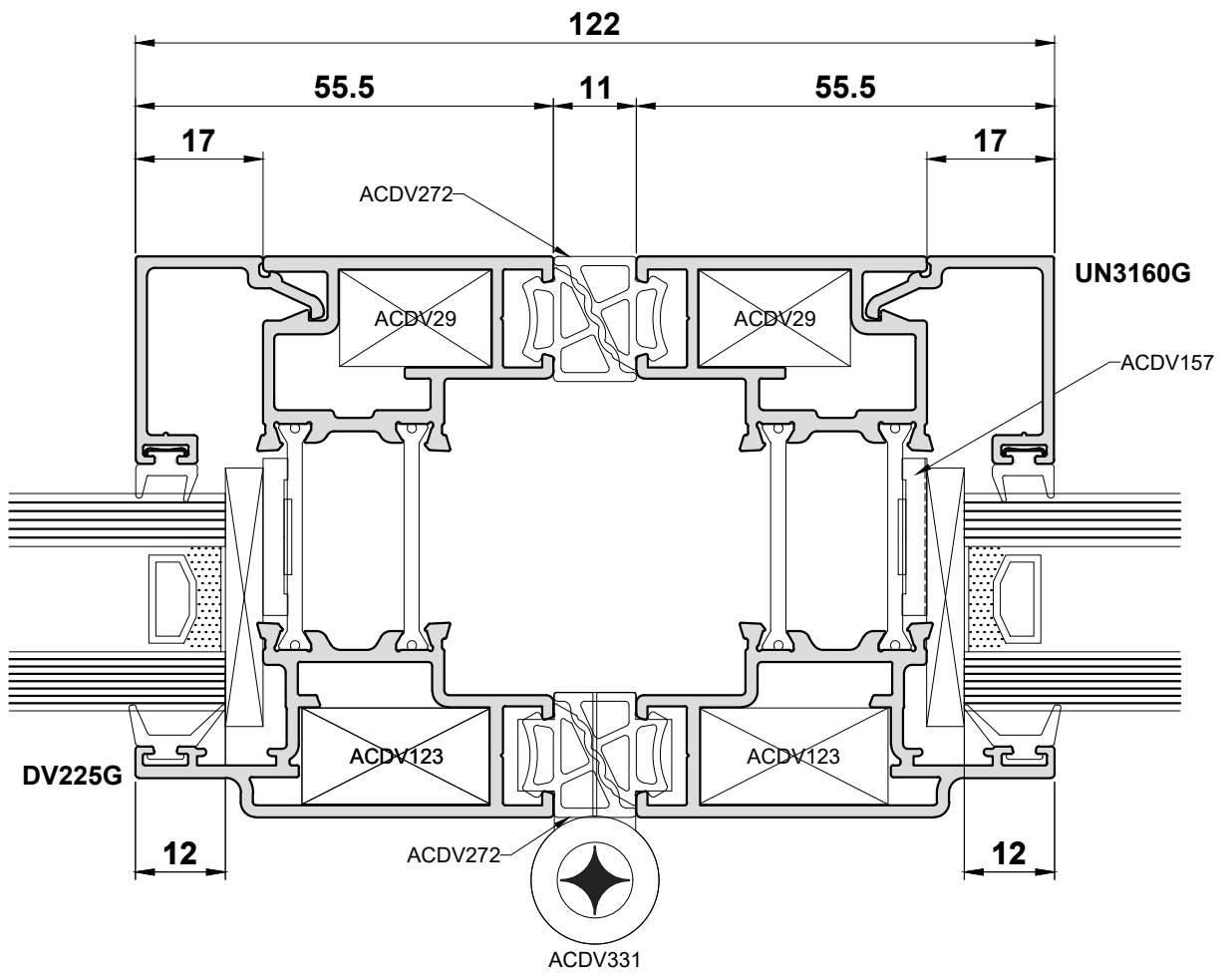
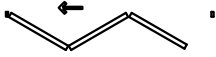
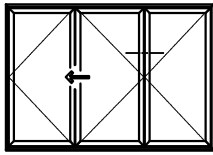
Do Not Scale From This Drawing

Open In - Detail 15B

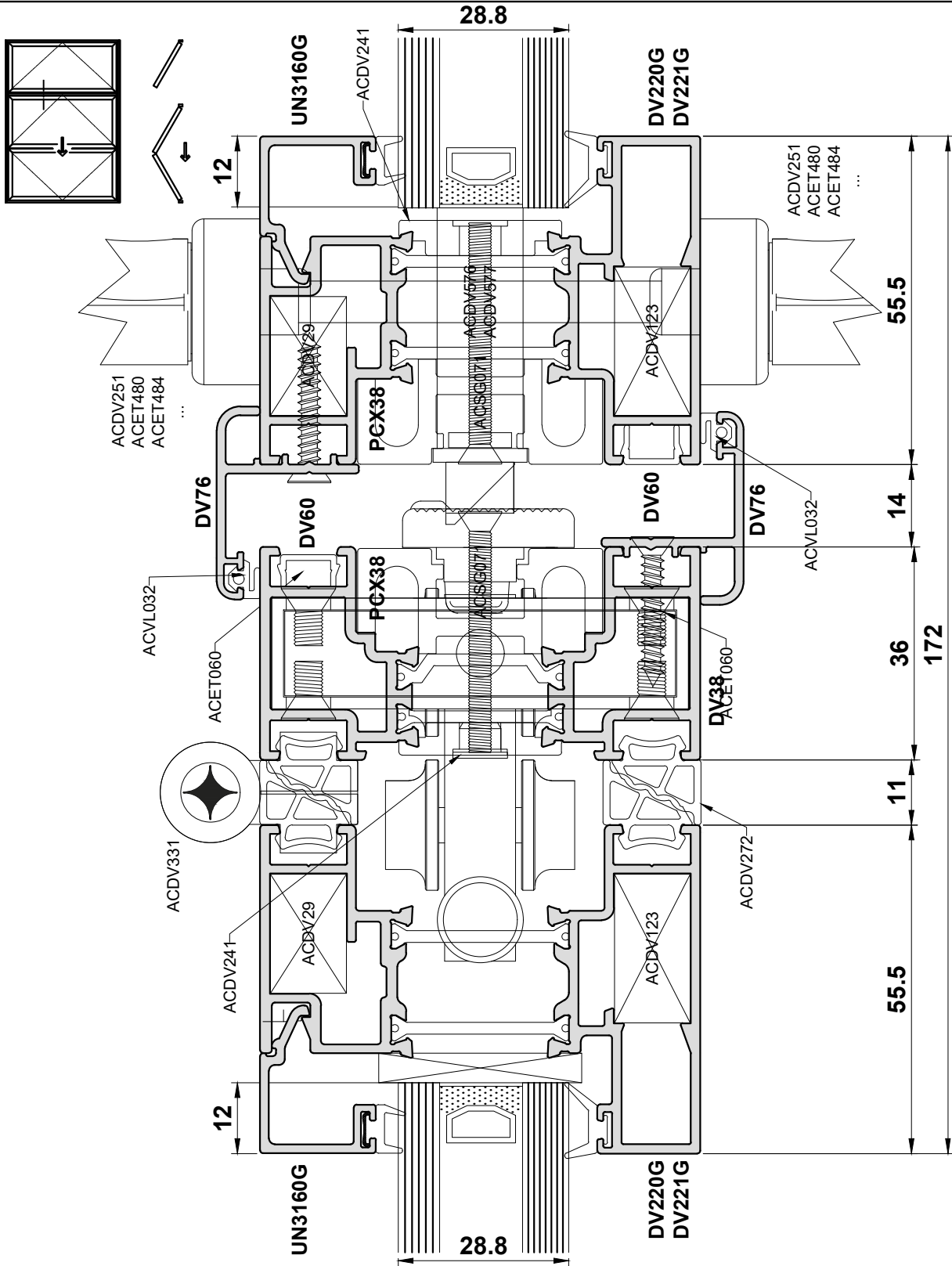


Do Not Scale From This Drawing

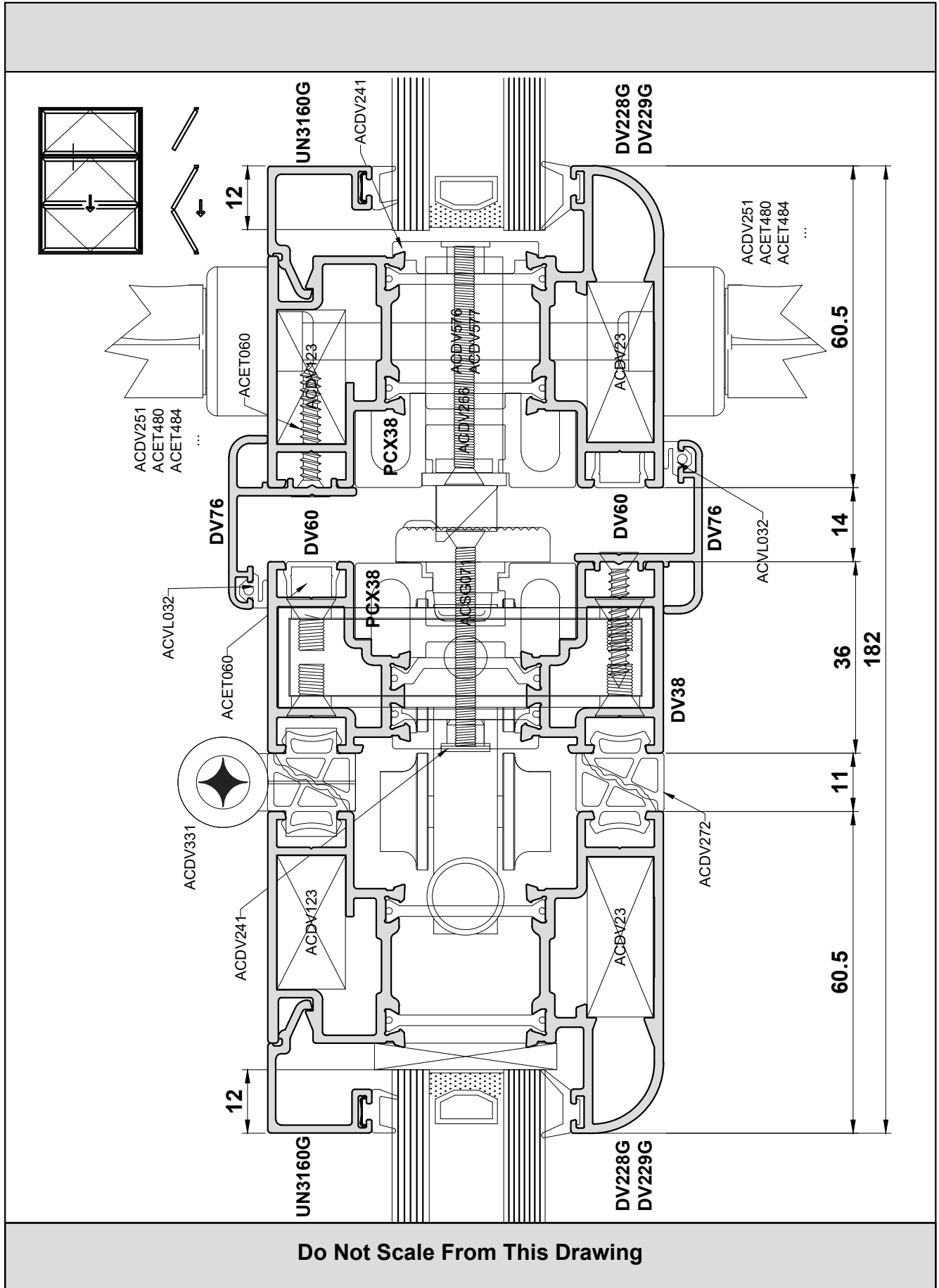
Open In - Detail 15C



Do Not Scale From This Drawing

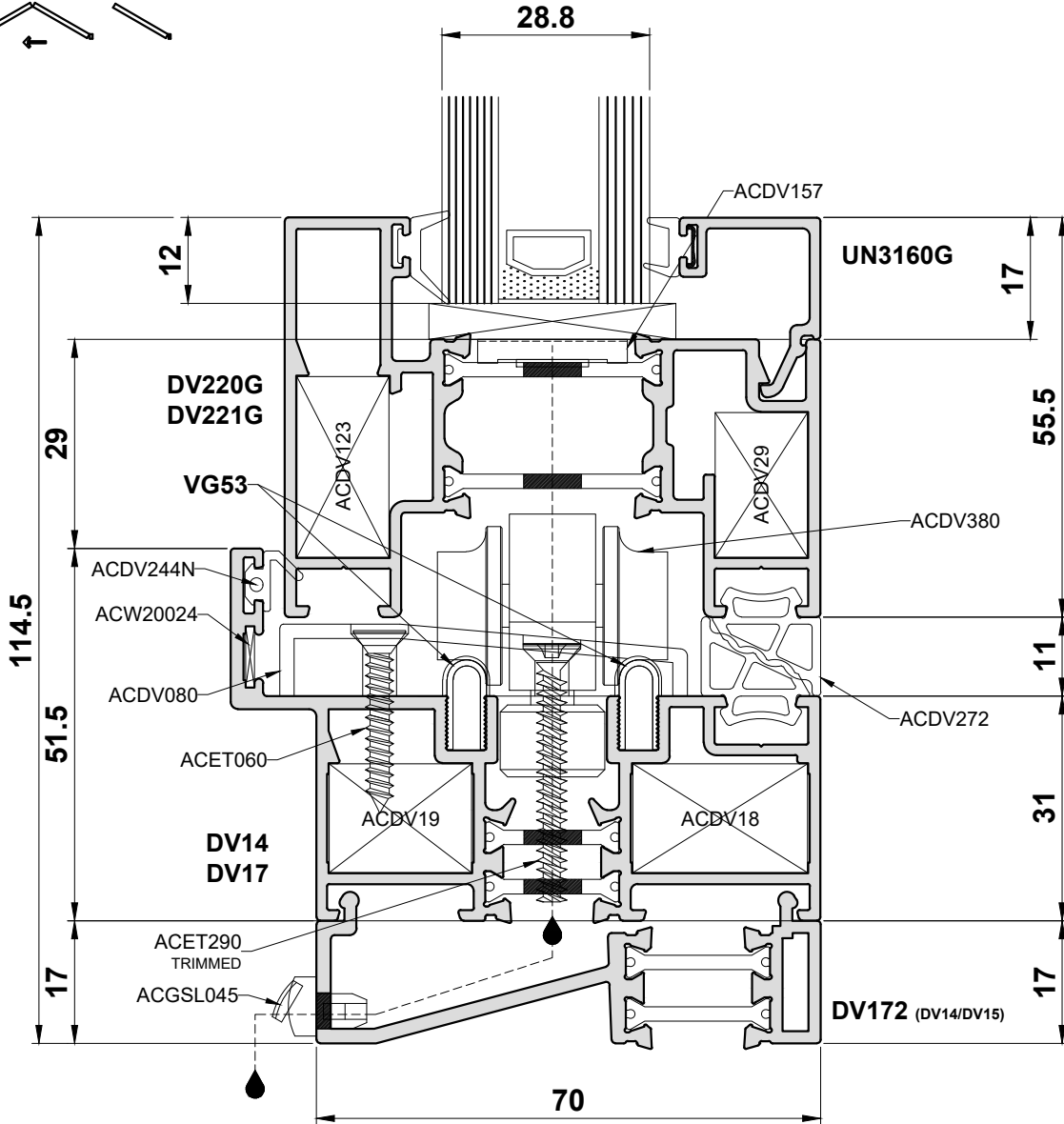
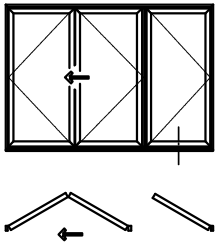


Do Not Scale From This Drawing



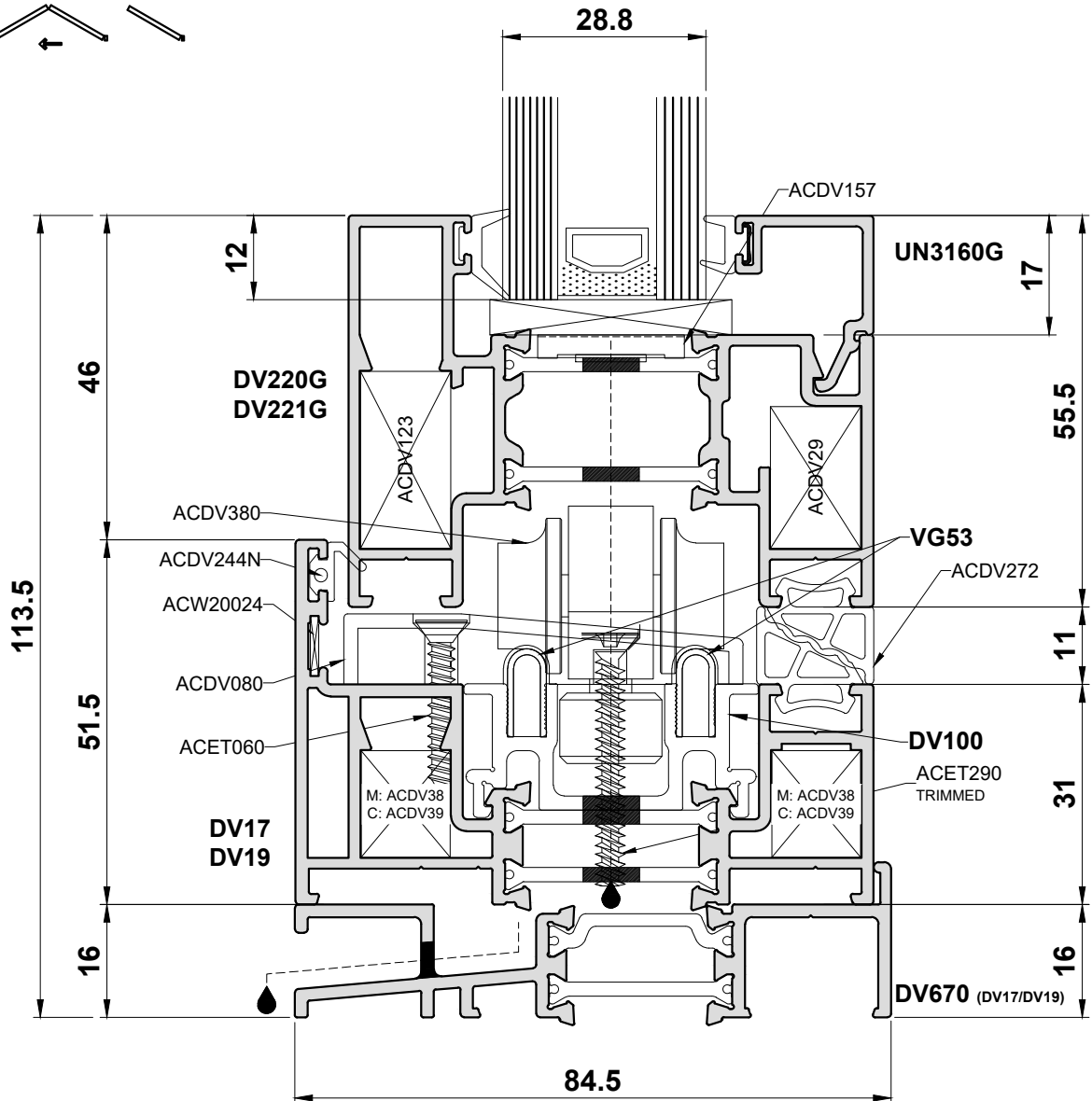
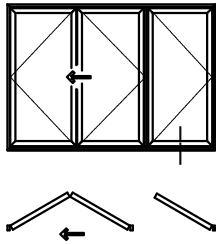
Do Not Scale From This Drawing

Open In - Detail 17A



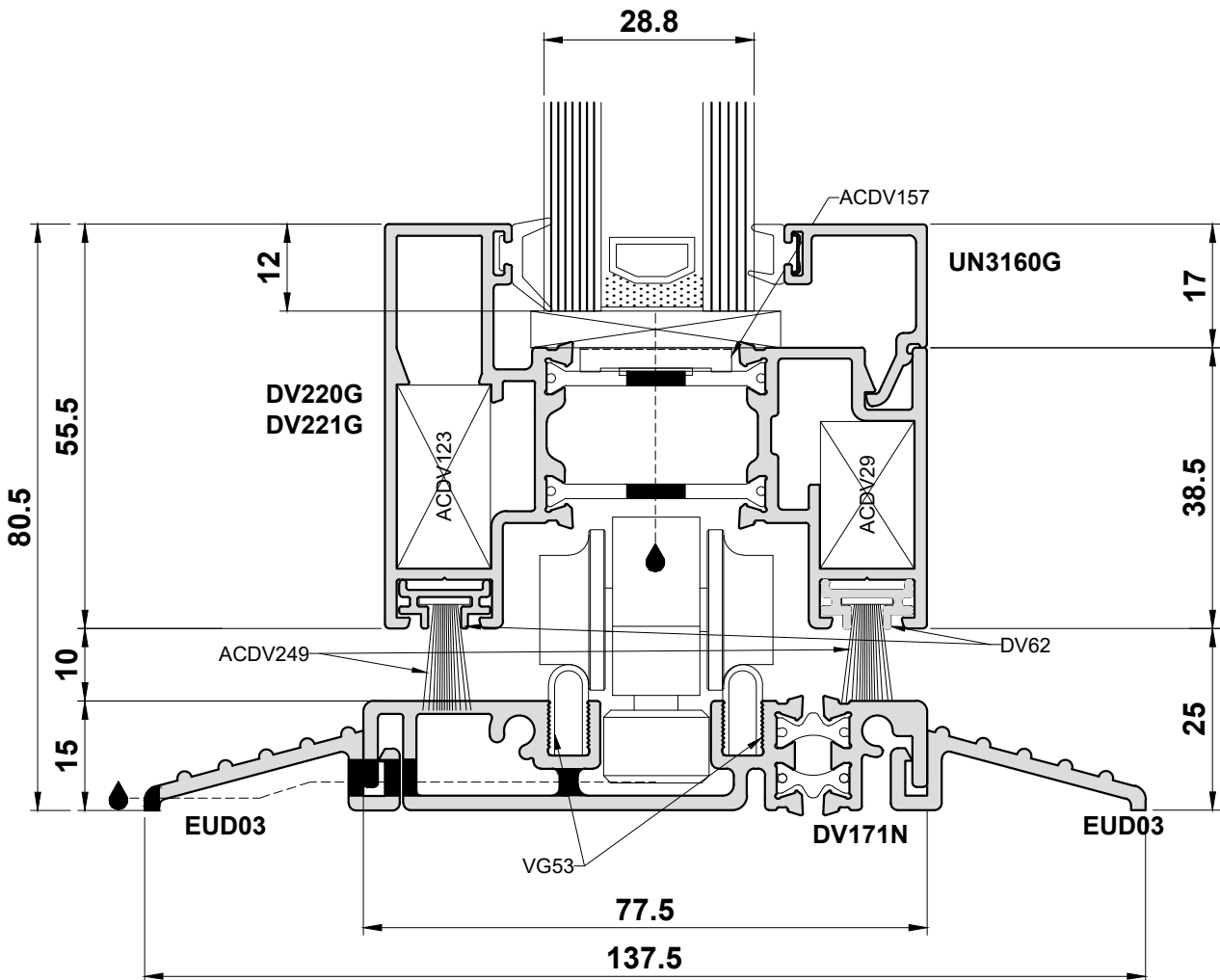
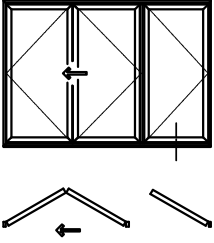
Do Not Scale From This Drawing

Open In - Detail 17B



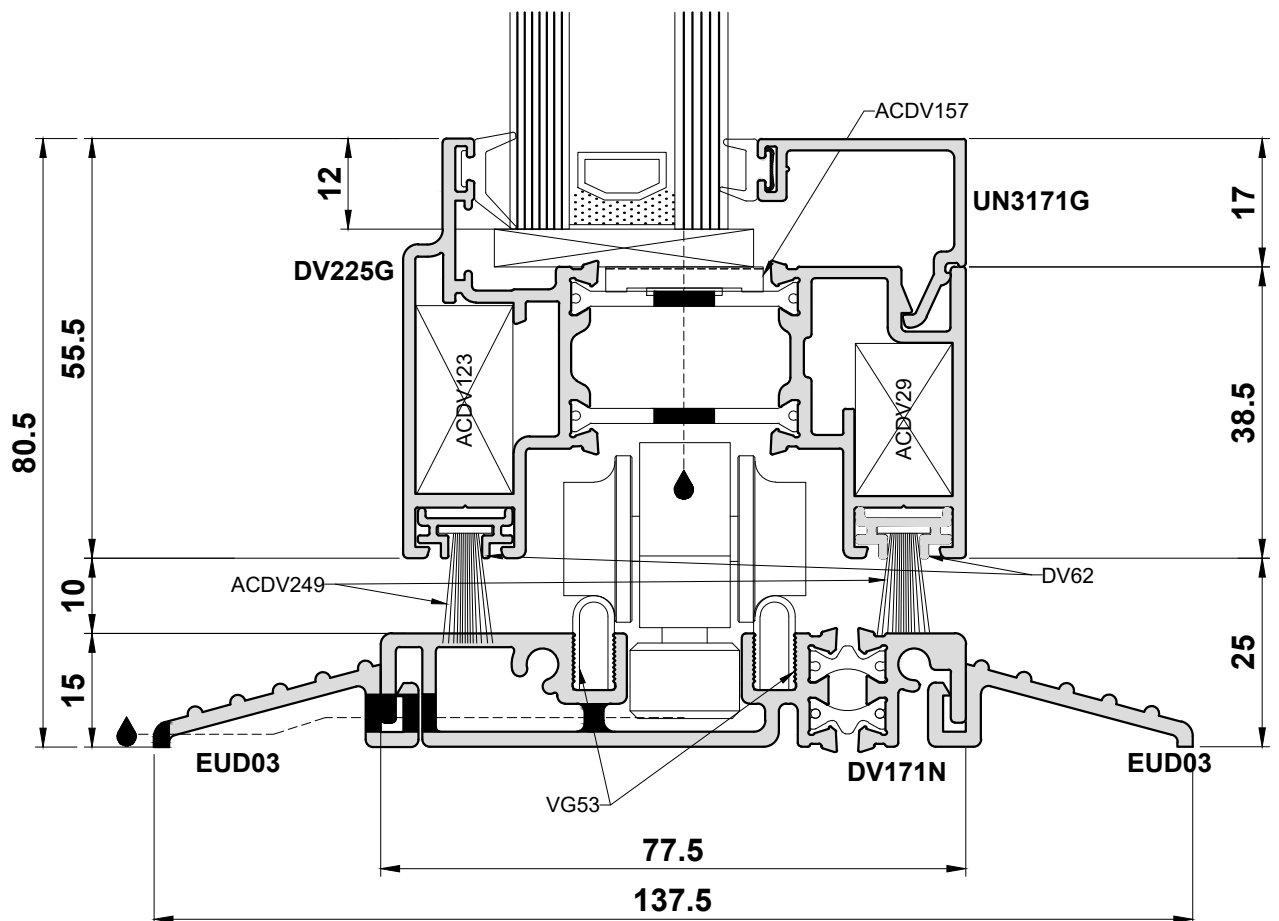
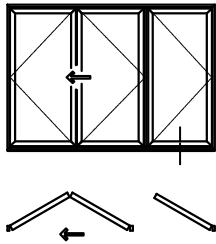
Do Not Scale From This Drawing

Open In - Detail 17C



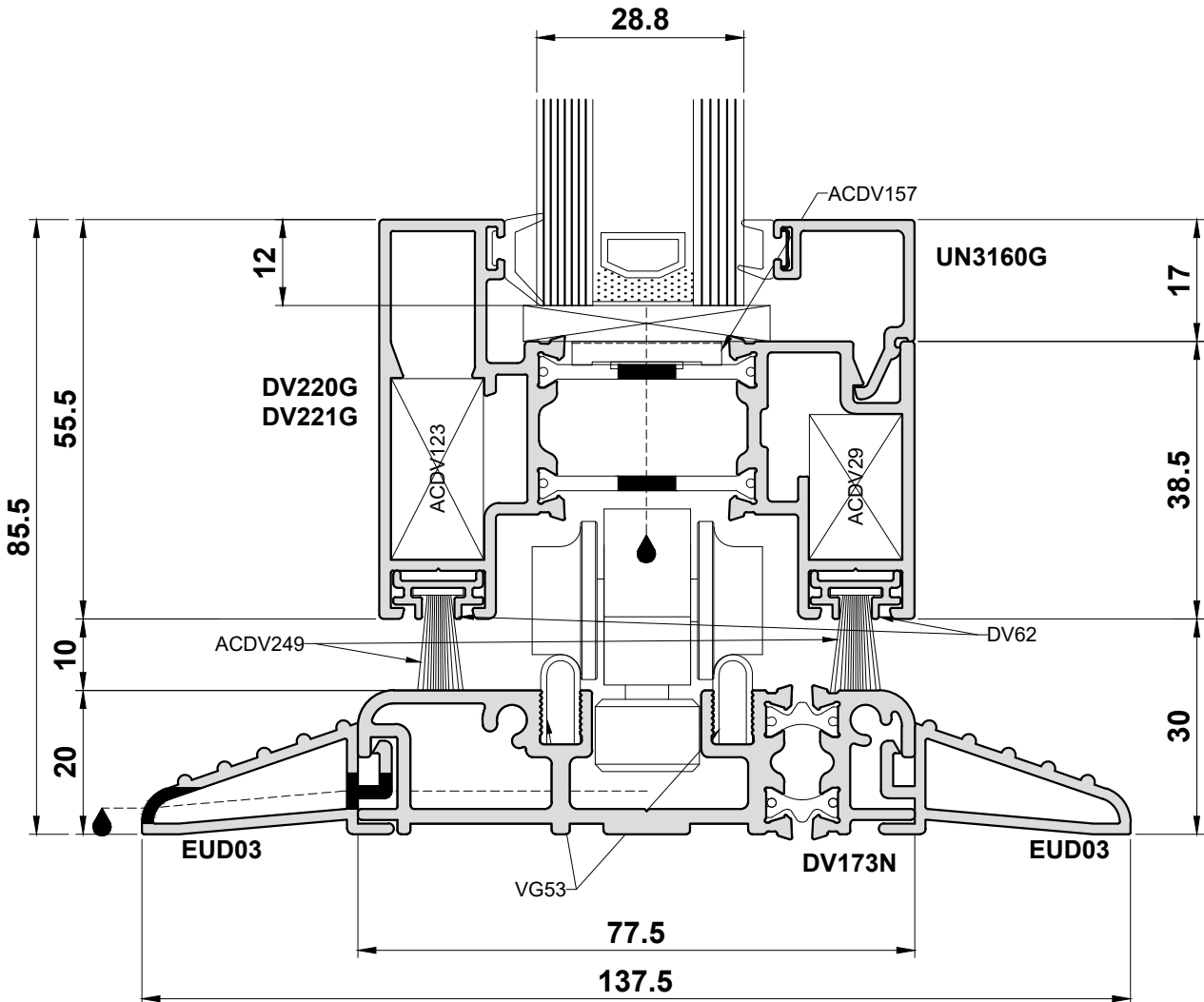
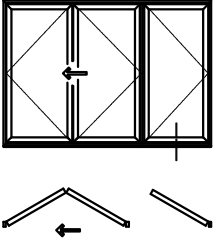
Do Not Scale From This Drawing

Open In - Detail 17D



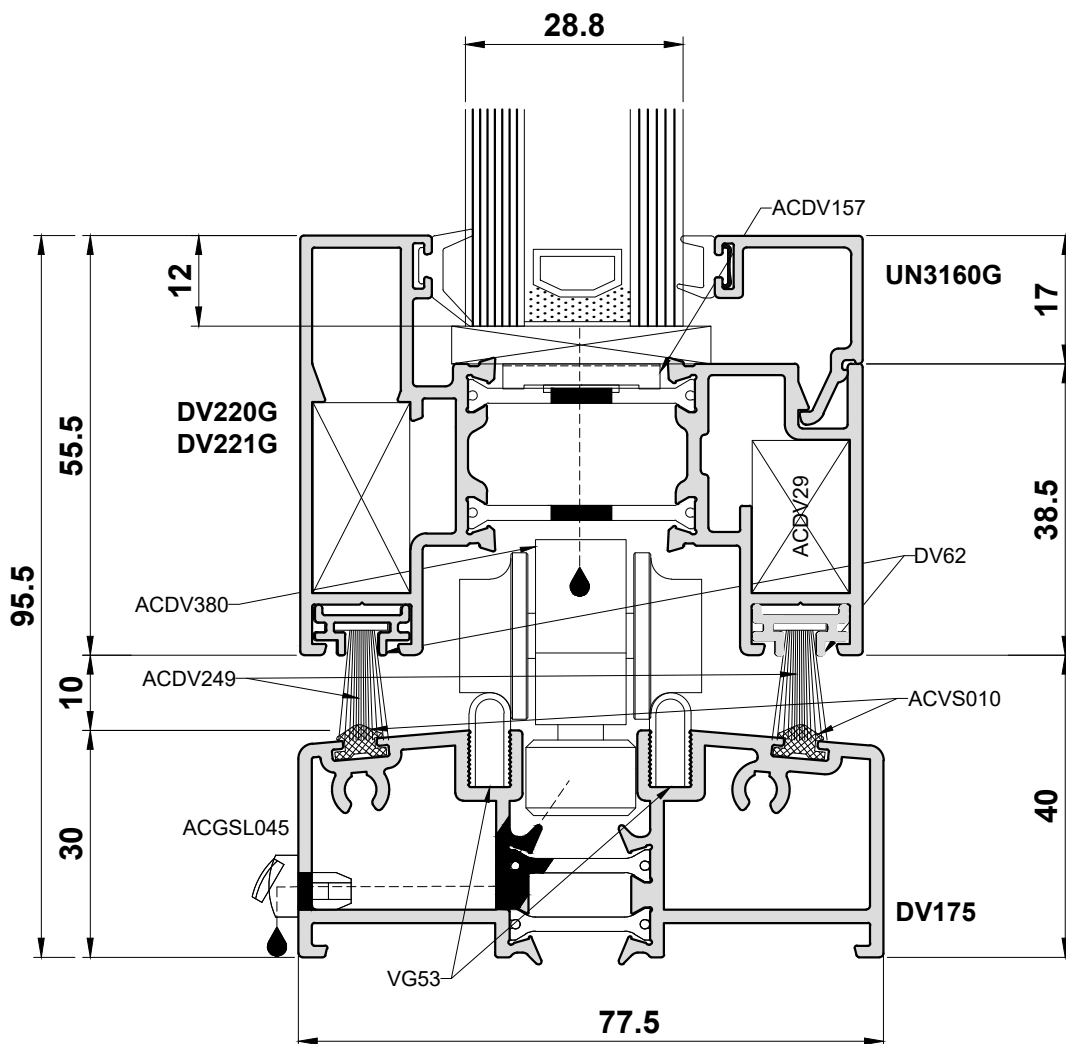
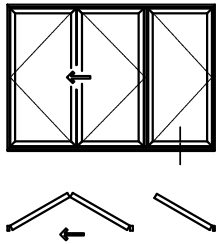
Do Not Scale From This Drawing

Open In - Detail 17E



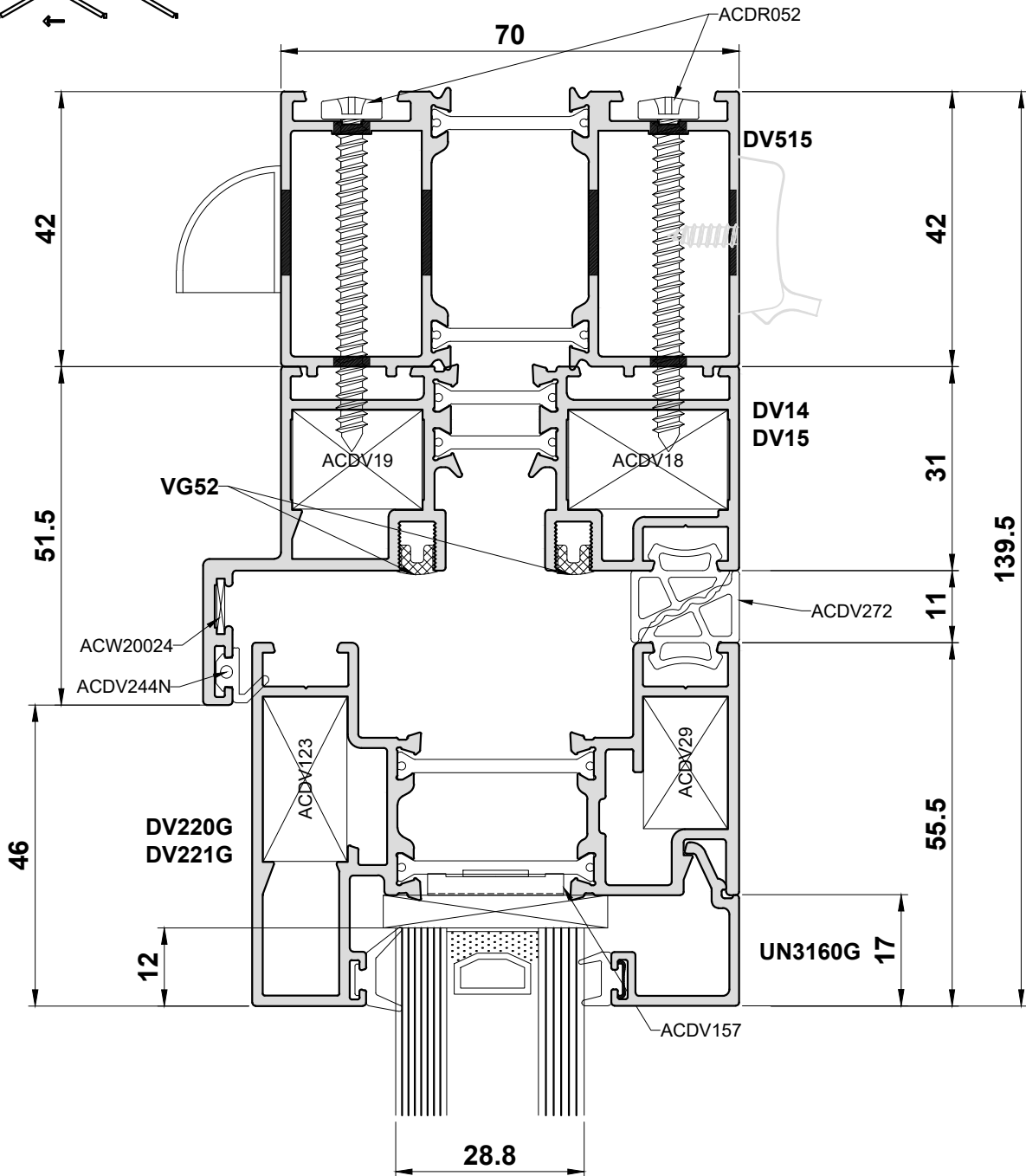
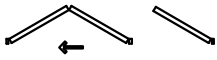
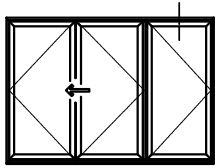
Do Not Scale From This Drawing

Open In - Detail 17F



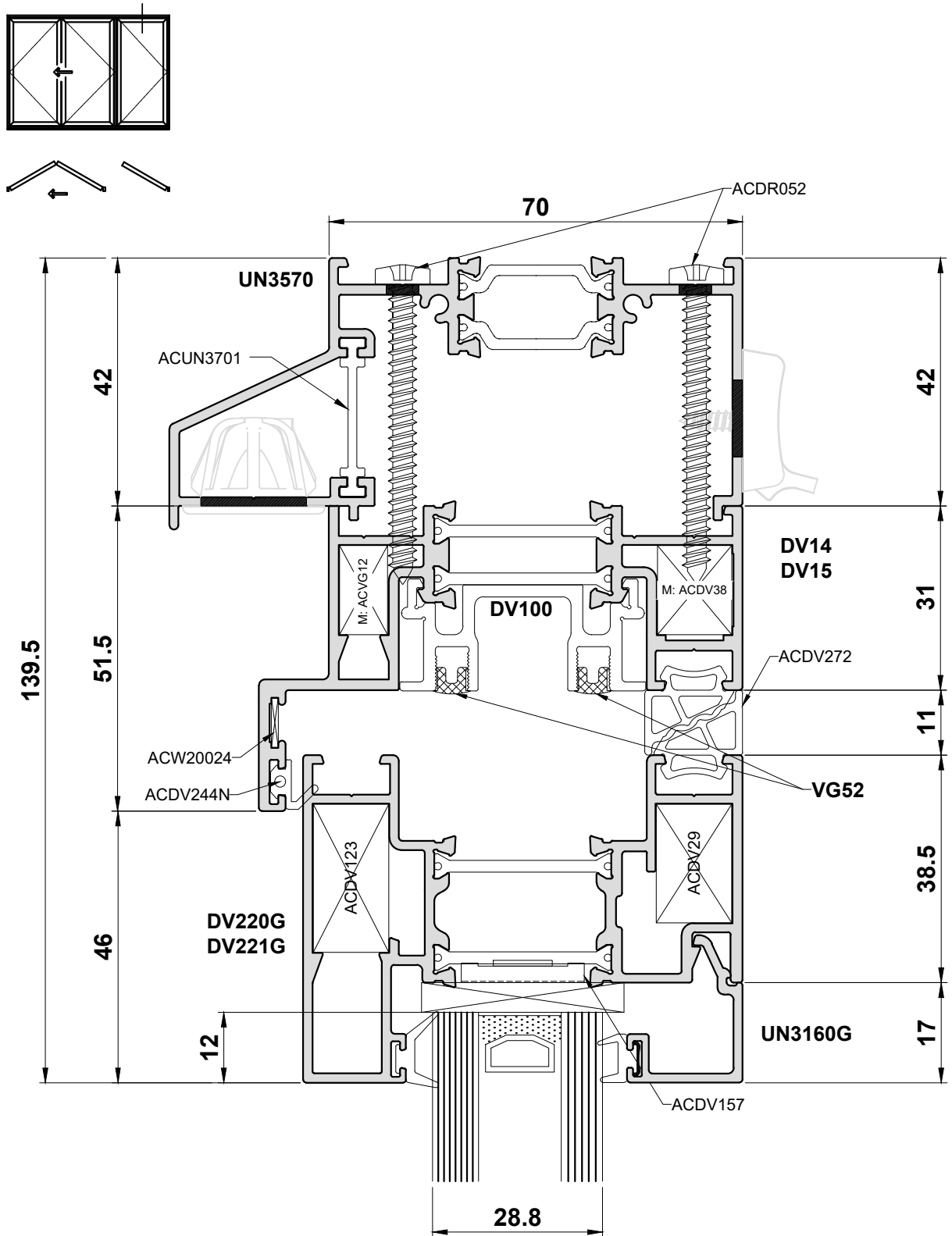
Do Not Scale From This Drawing

Open In - Detail 18A



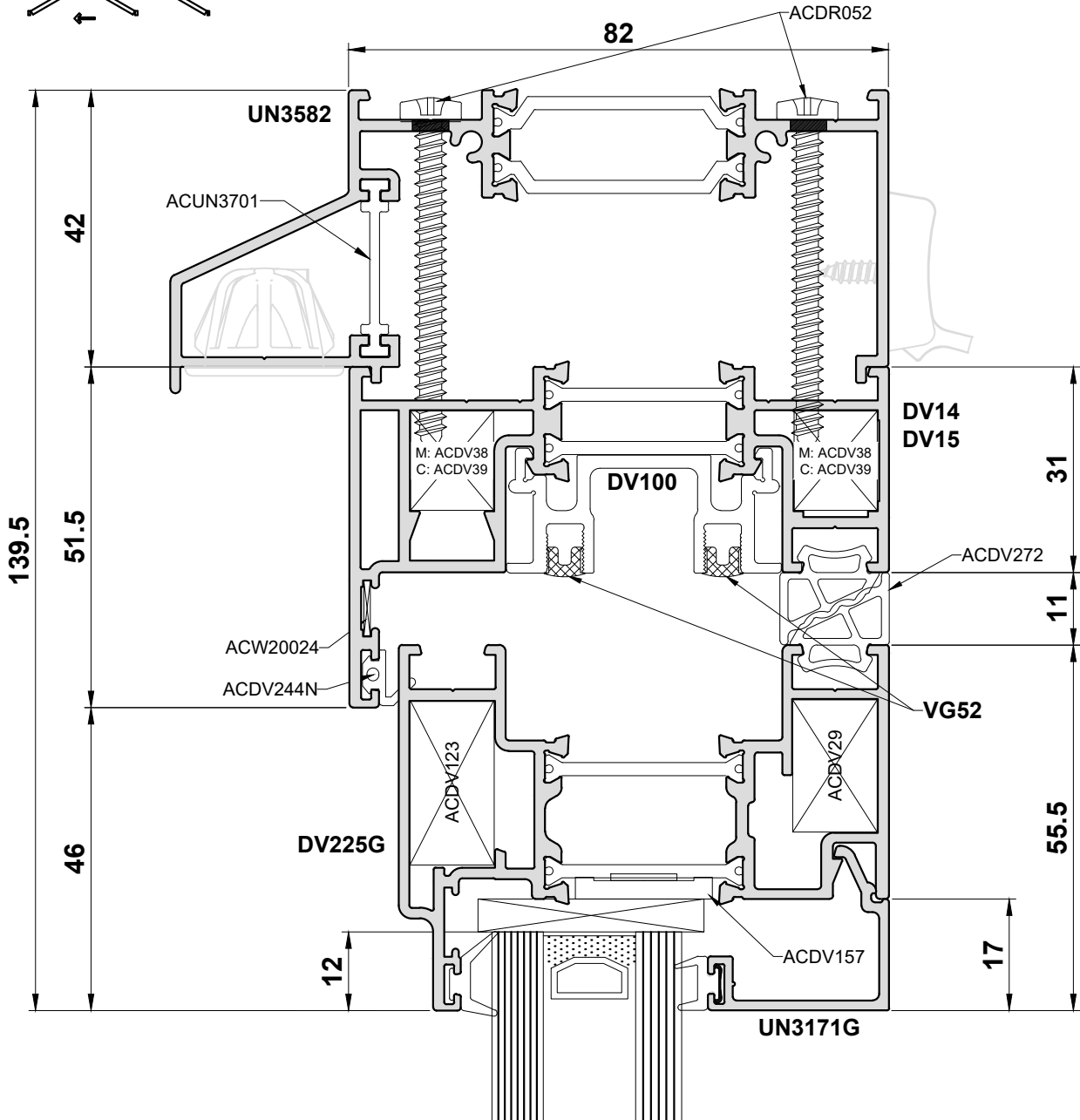
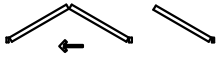
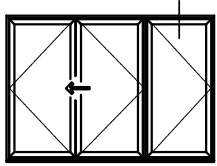
Do Not Scale From This Drawing

Open In- Detail 18B



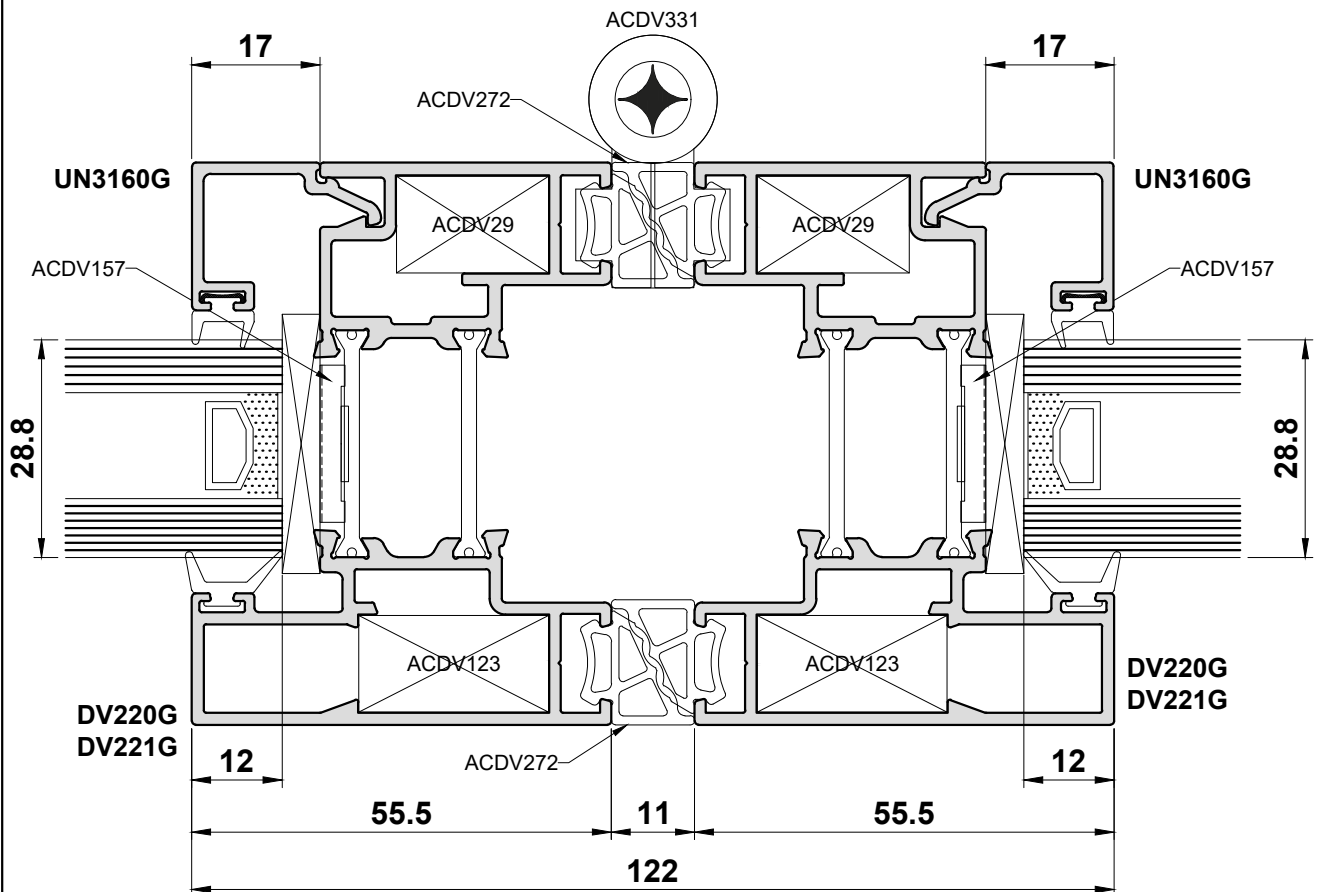
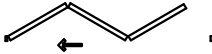
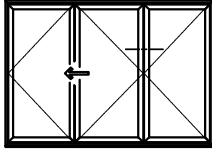
Do Not Scale From This Drawing

Open In- Detail 18C



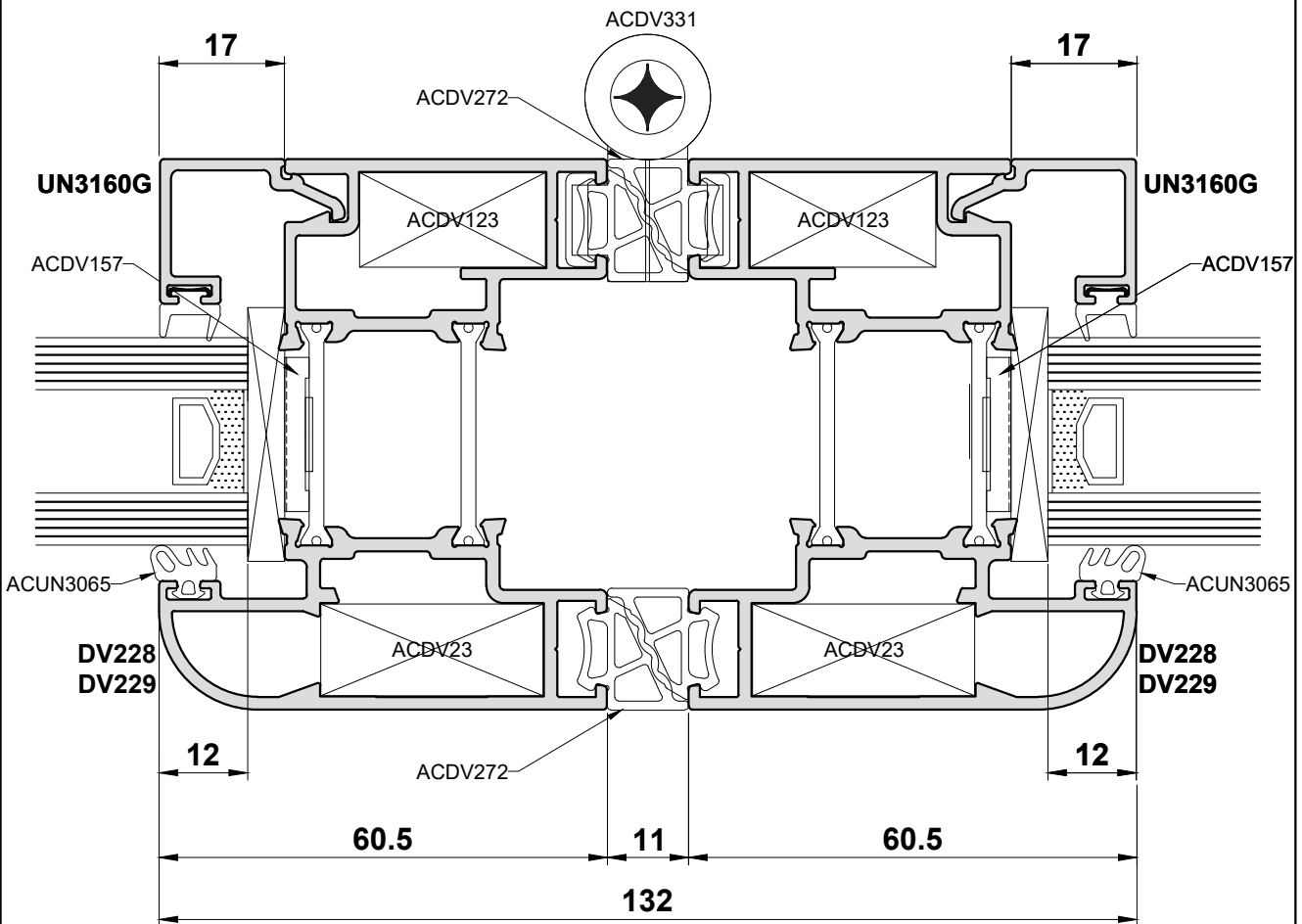
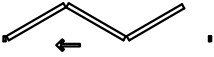
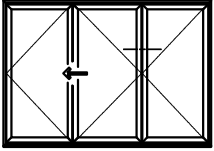
Do Not Scale From This Drawing

Open In - Detail 19A



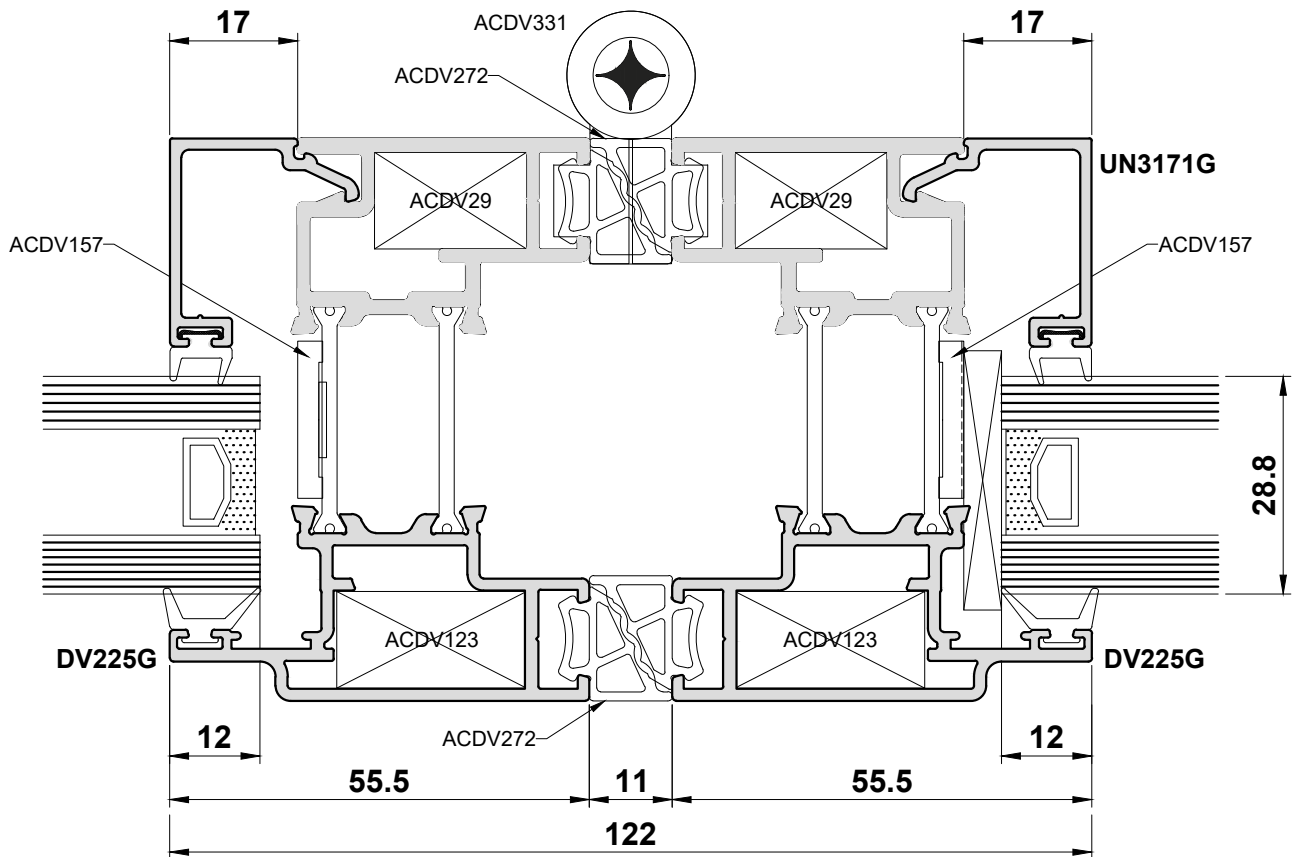
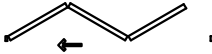
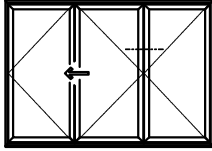
Do Not Scale From This Drawing

Open In - Detail 19B



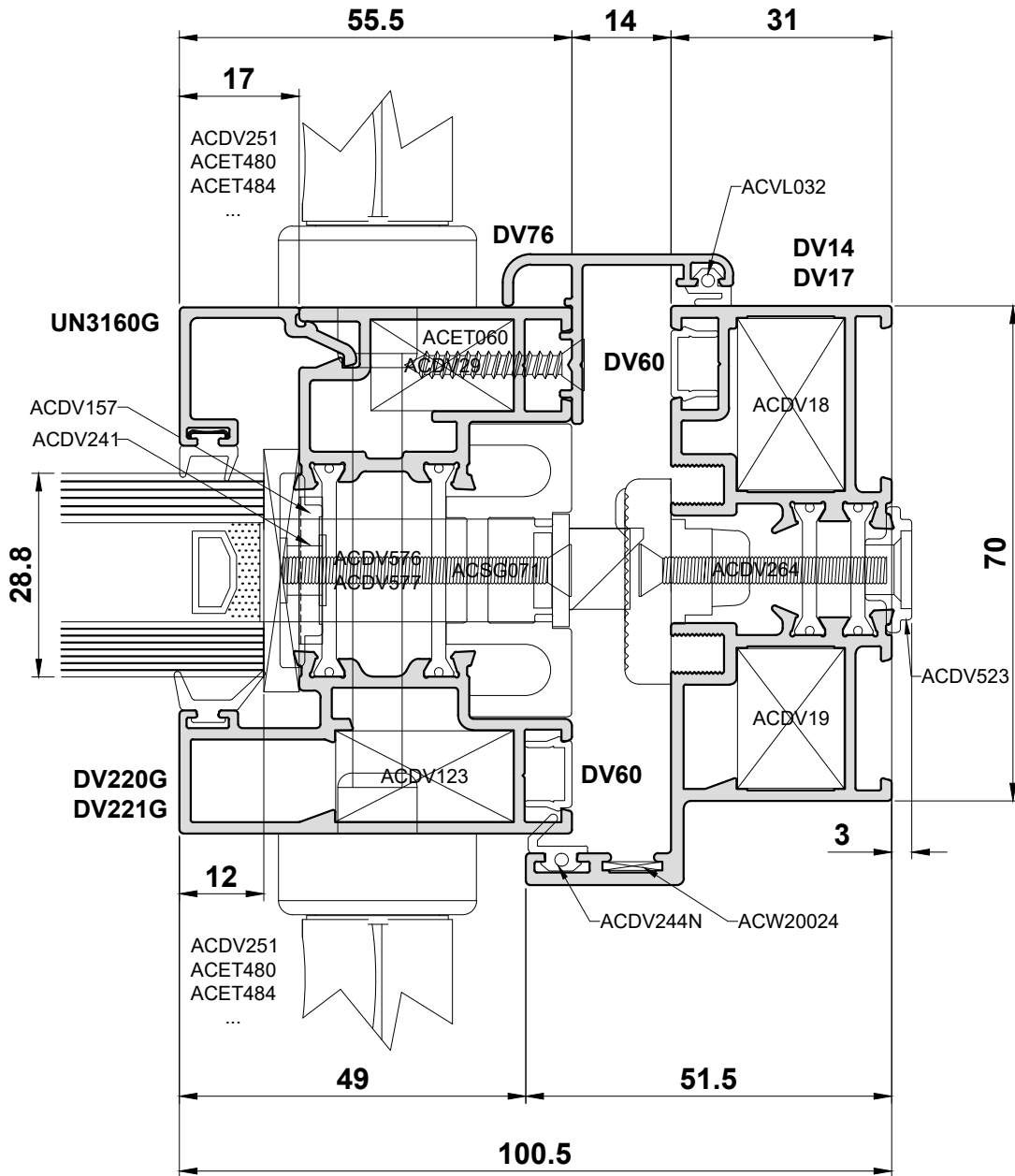
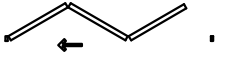
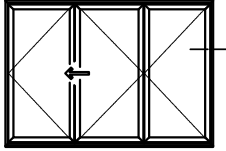
Do Not Scale From This Drawing

Open In - Detail 19C

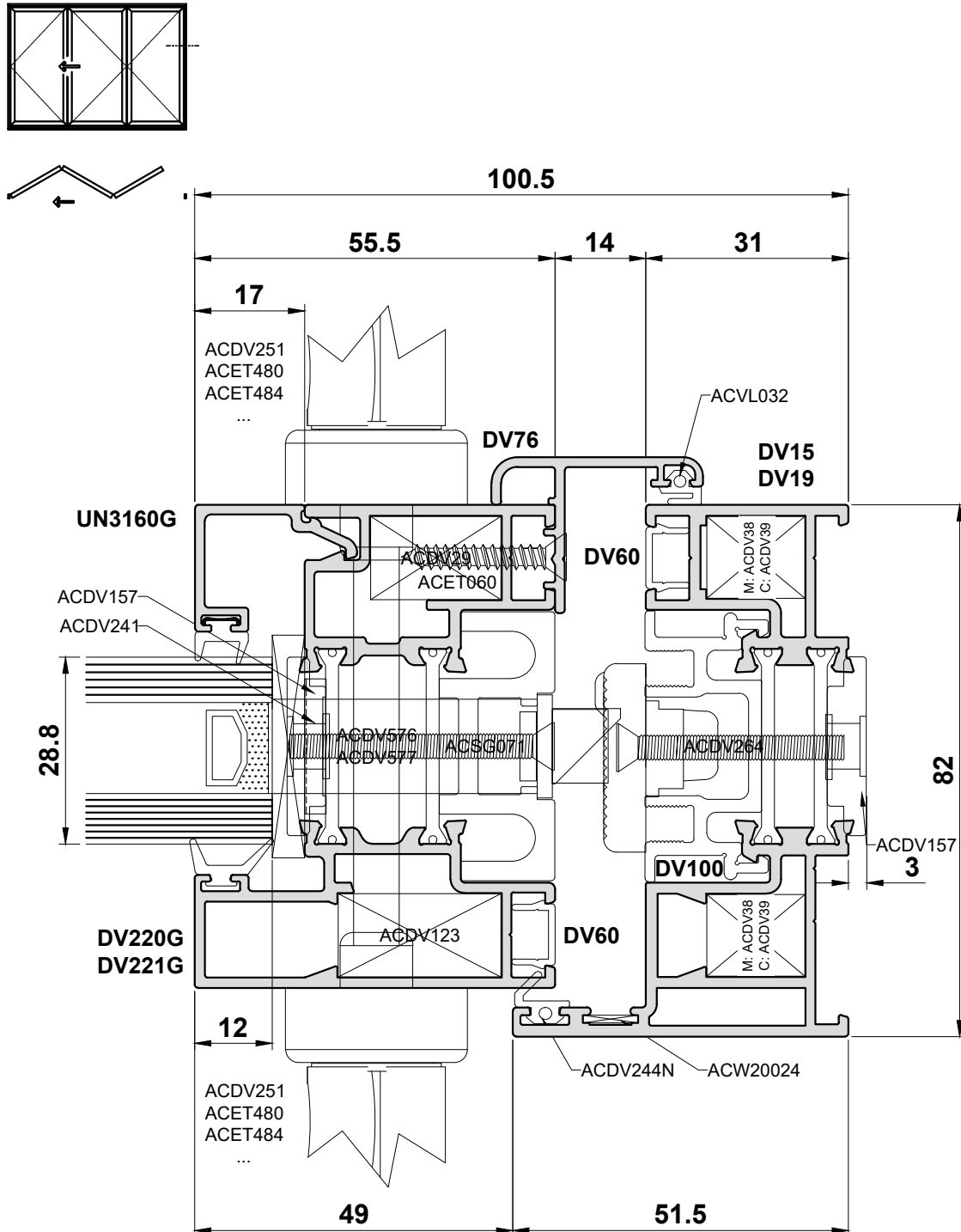


Do Not Scale From This Drawing

Open In - Detail 20A

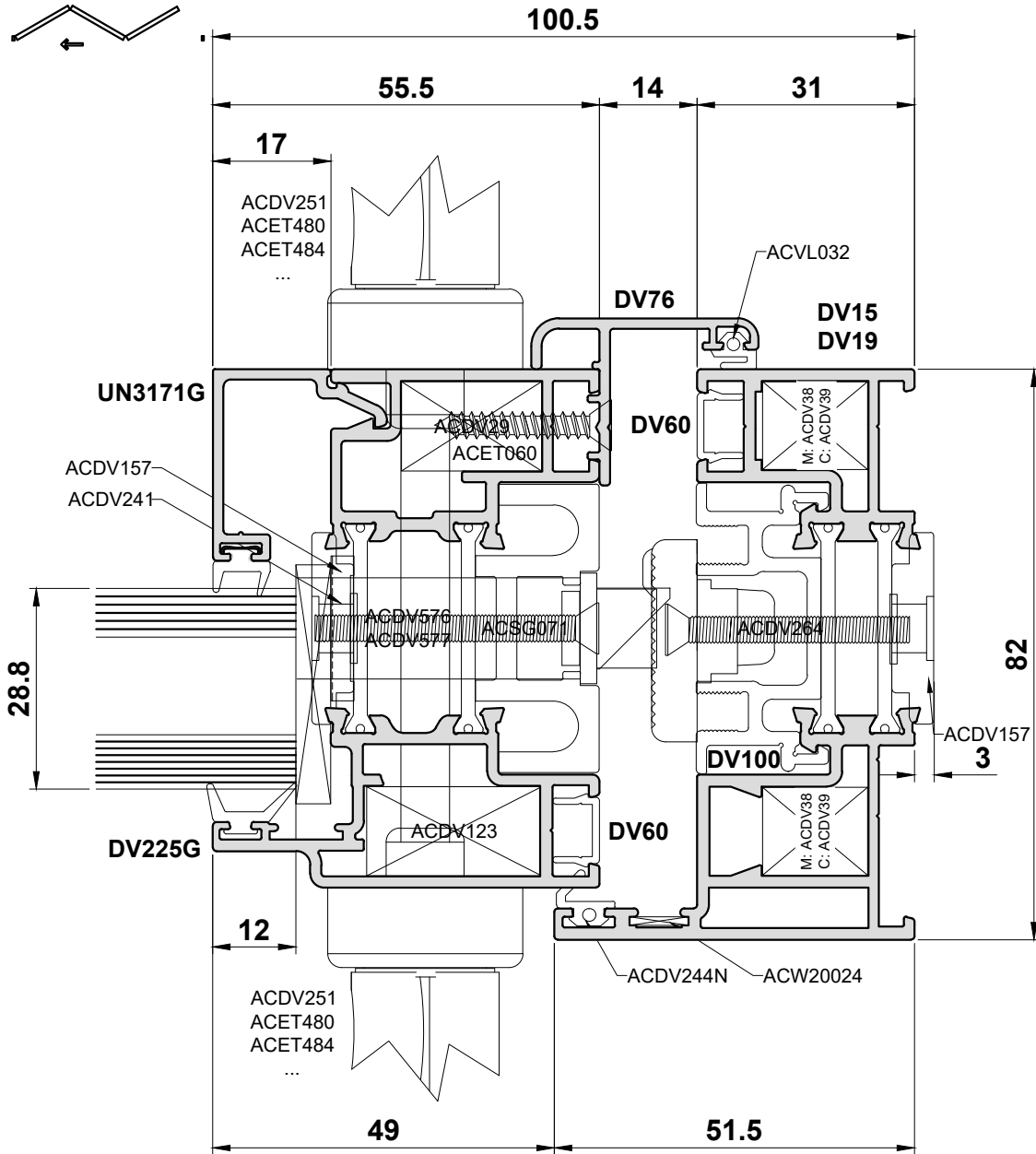
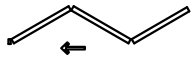
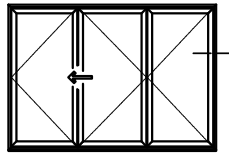


Do Not Scale From This Drawing

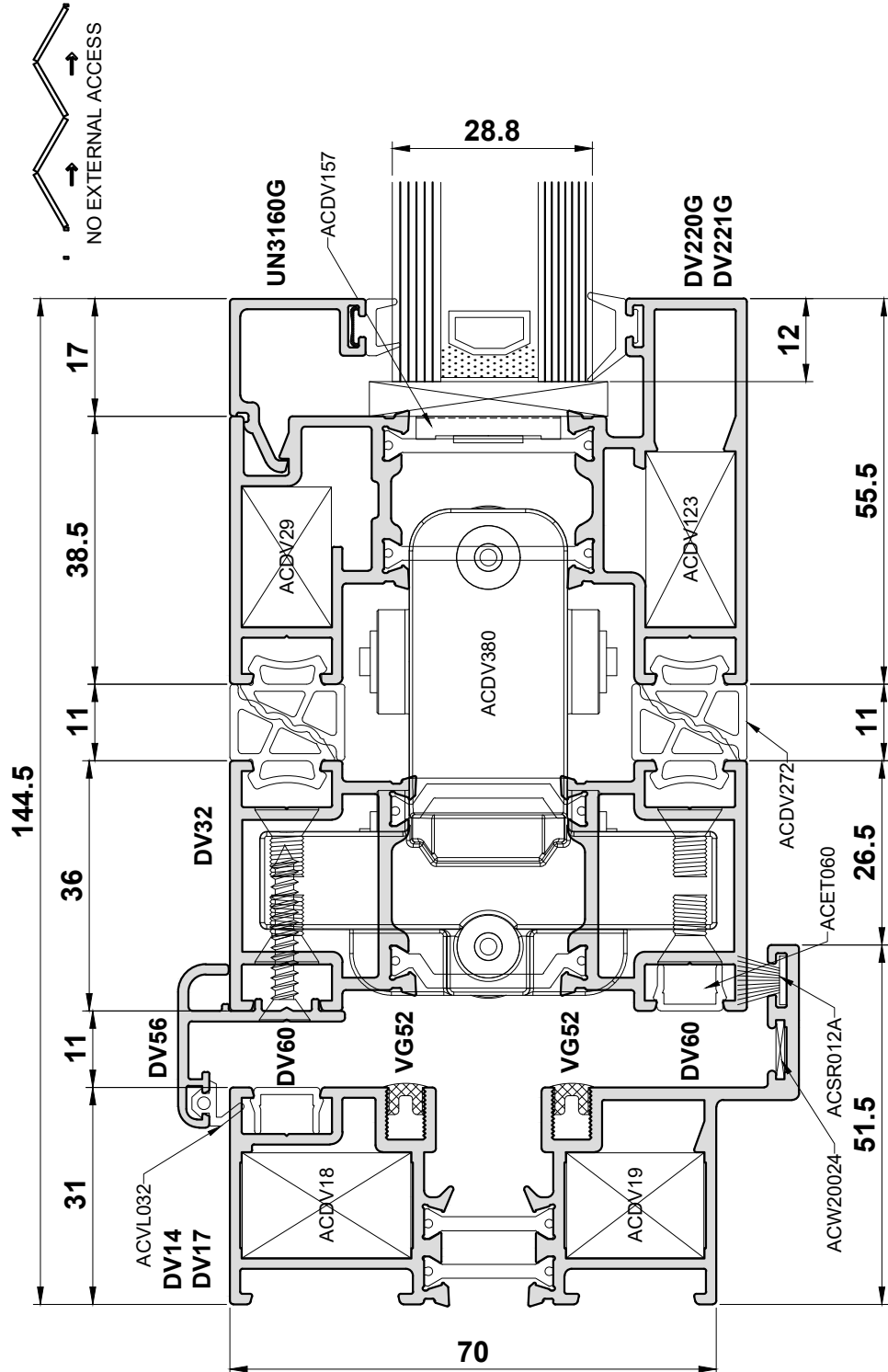
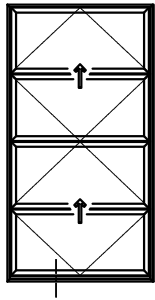


Do Not Scale From This Drawing

Open In - Detail 20C

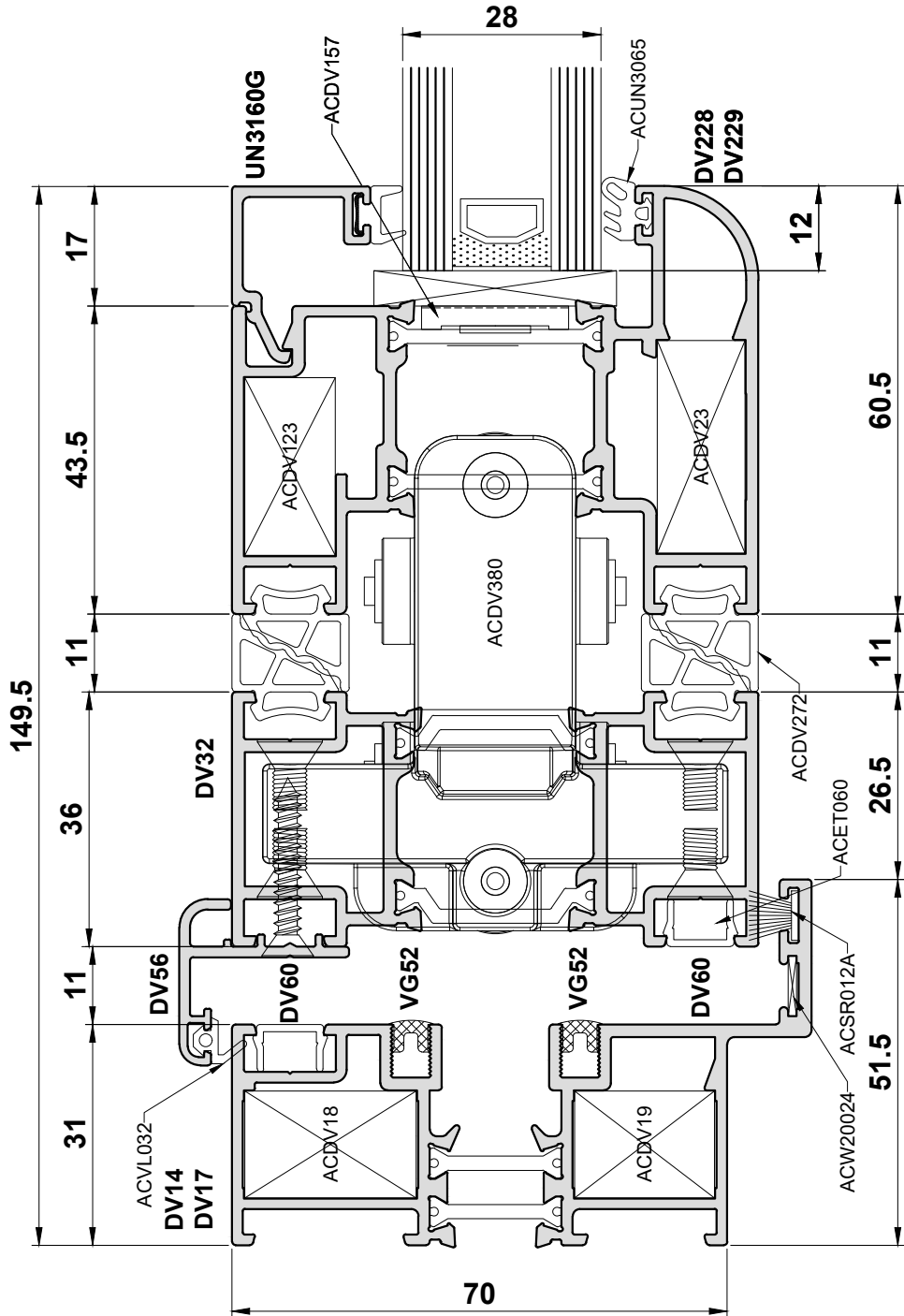
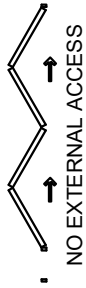
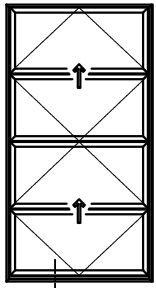


Do Not Scale From This Drawing

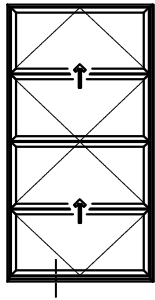


Do Not Scale From This Drawing

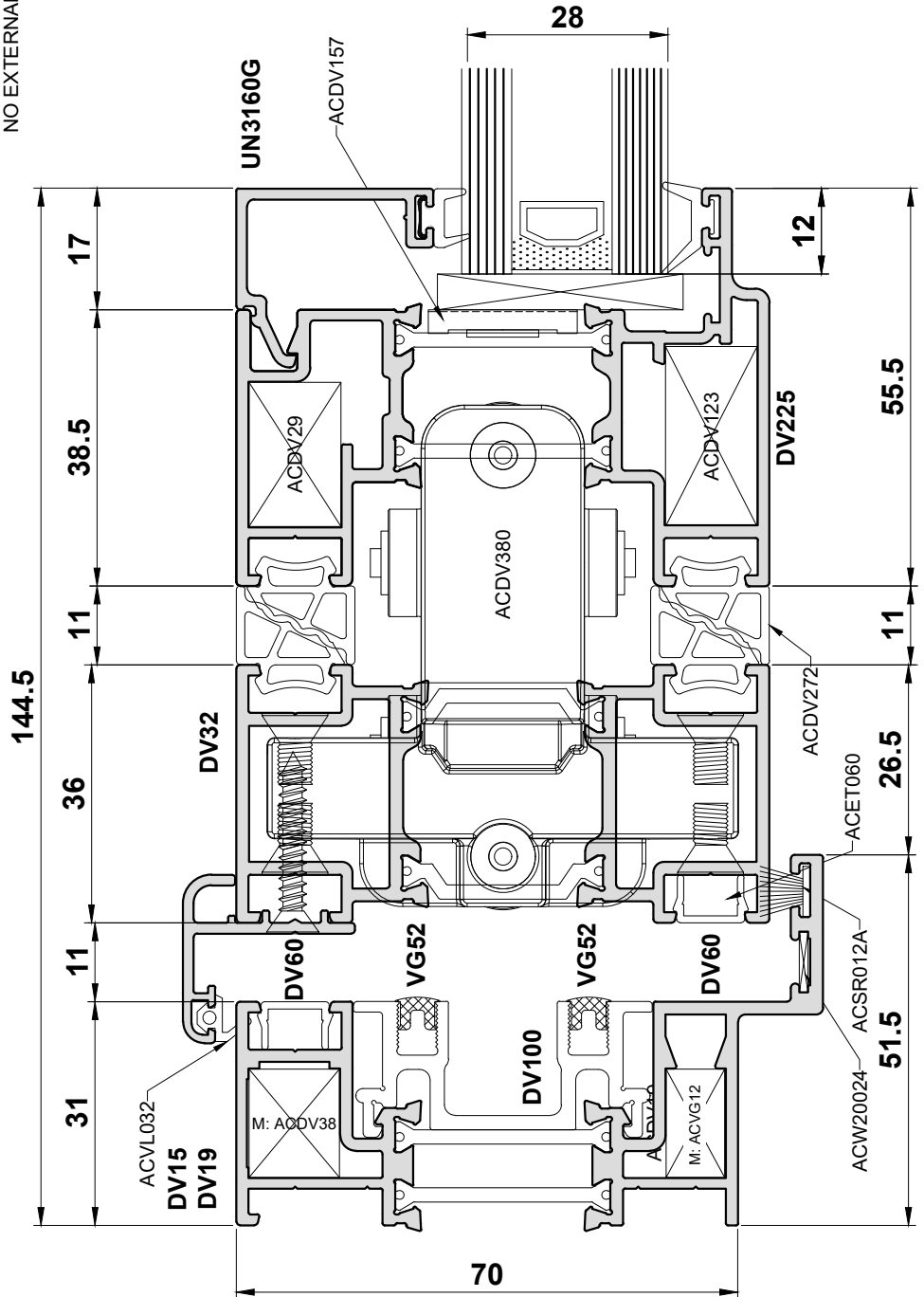
Visofold 1000



Do Not Scale From This Drawing

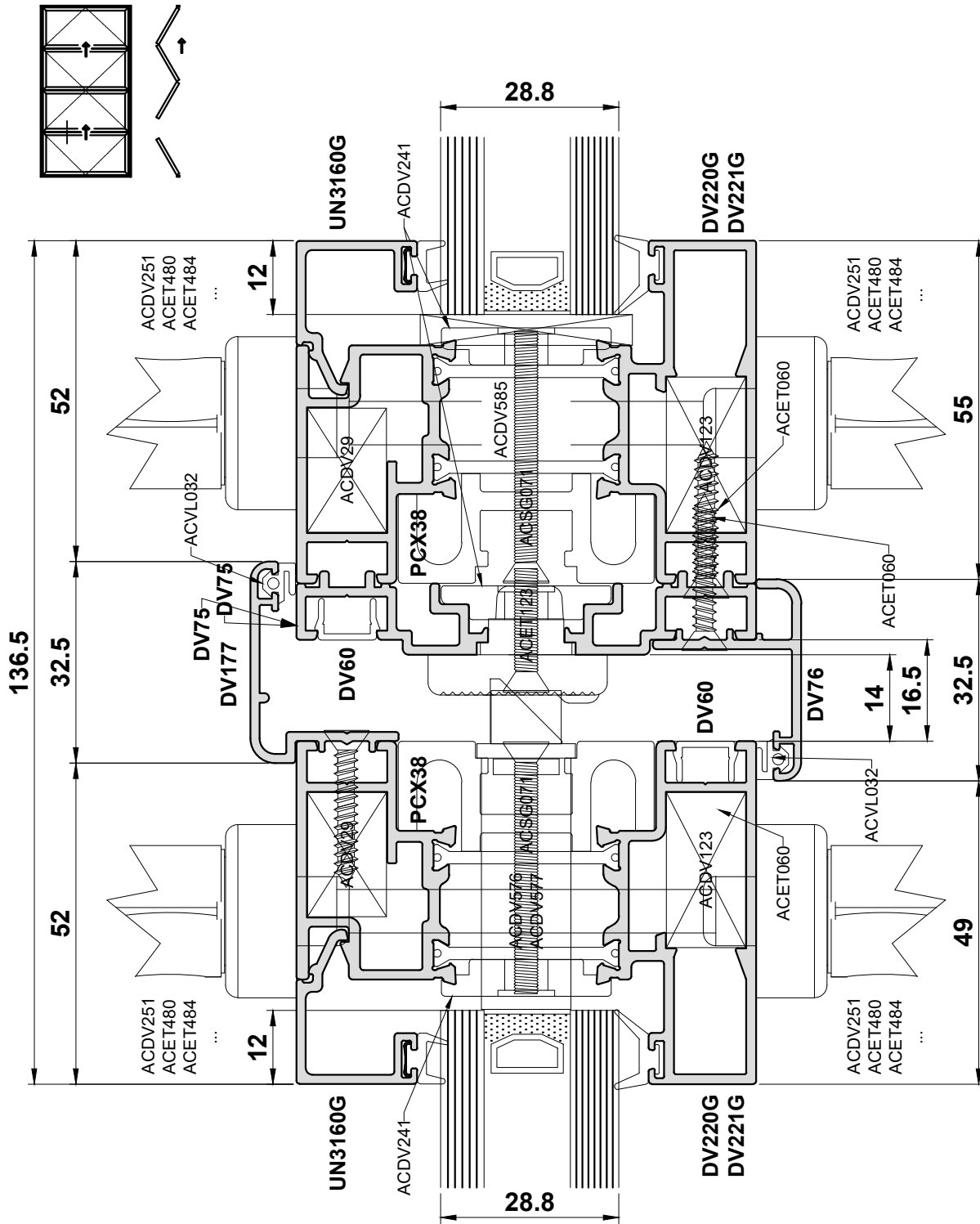


NO EXTERNAL ACCESS



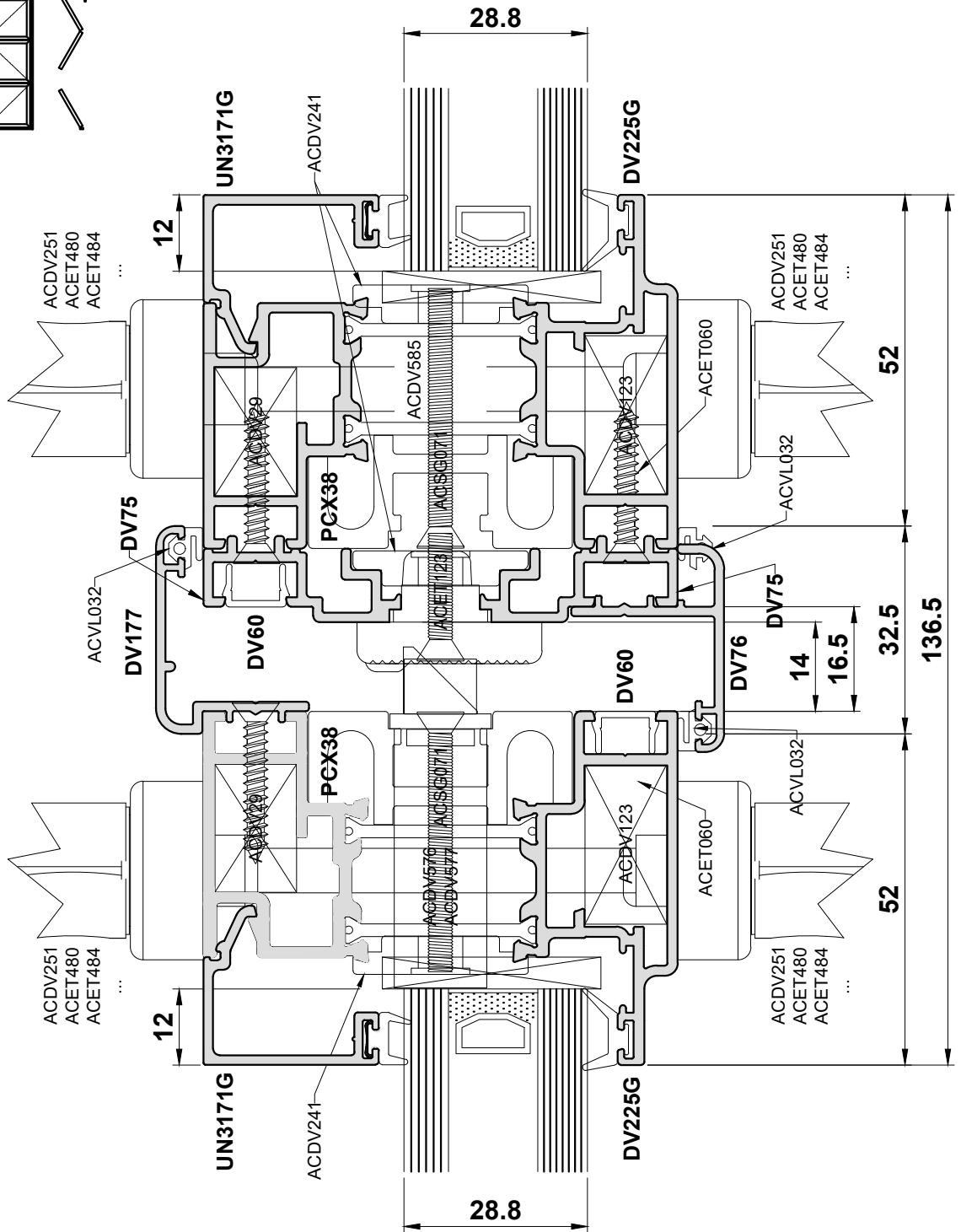
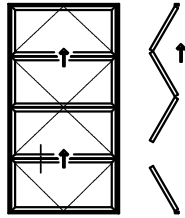
Do Not Scale From This Drawing

Open In - Detail 22A



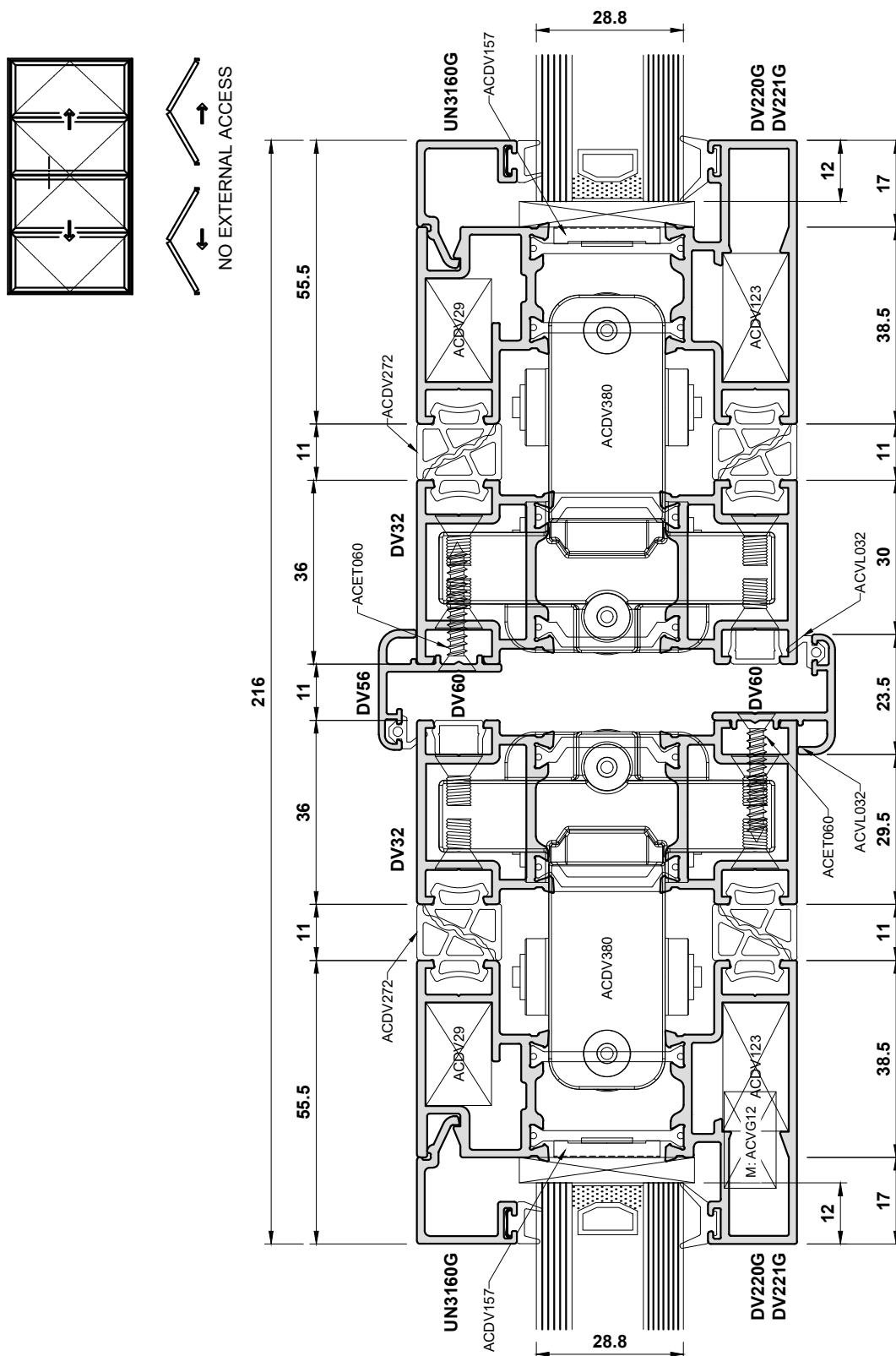
Do Not Scale From This Drawing

Open Out - Detail 22B



Do Not Scale From This Drawing

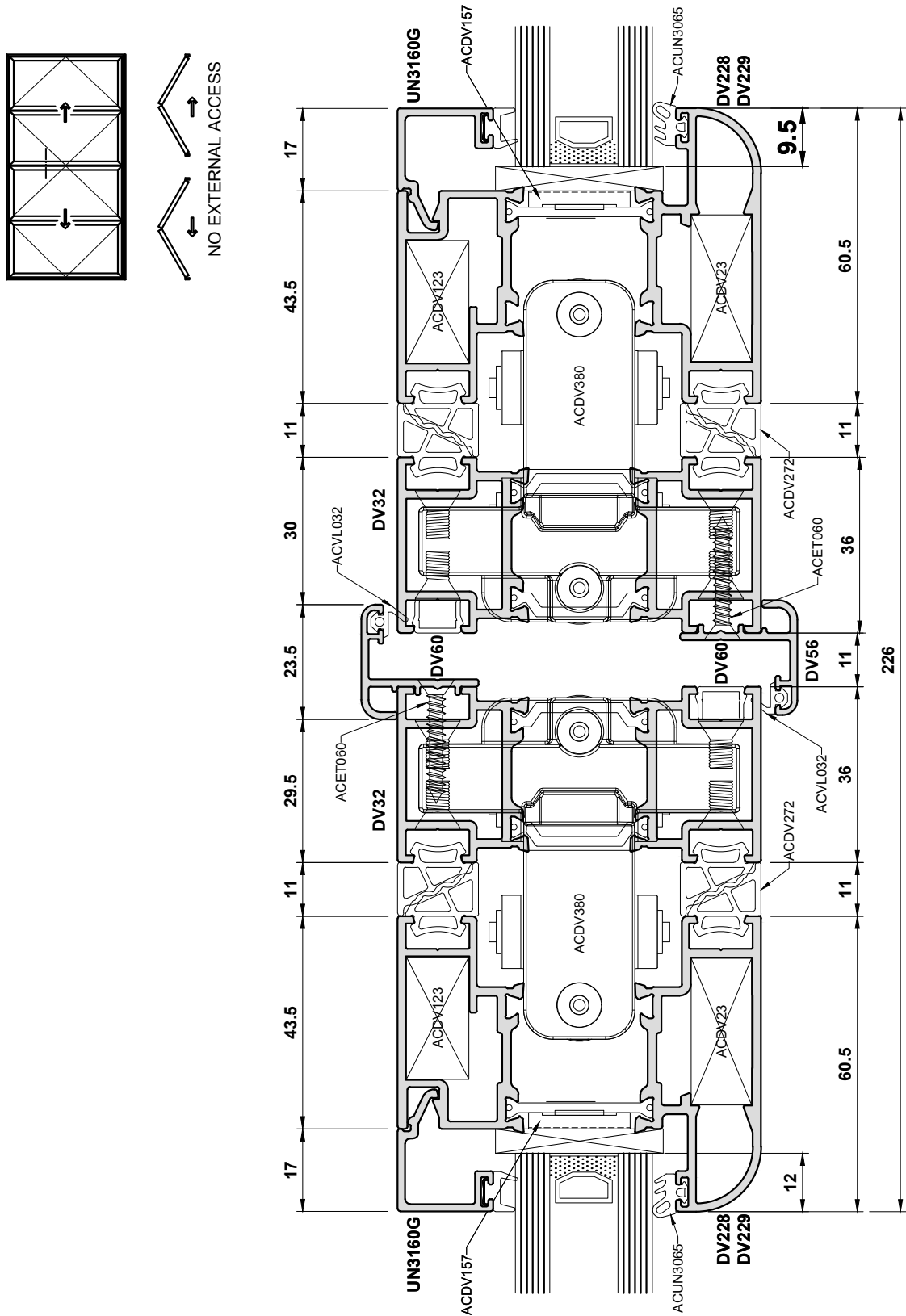
Open In - Detail 23A



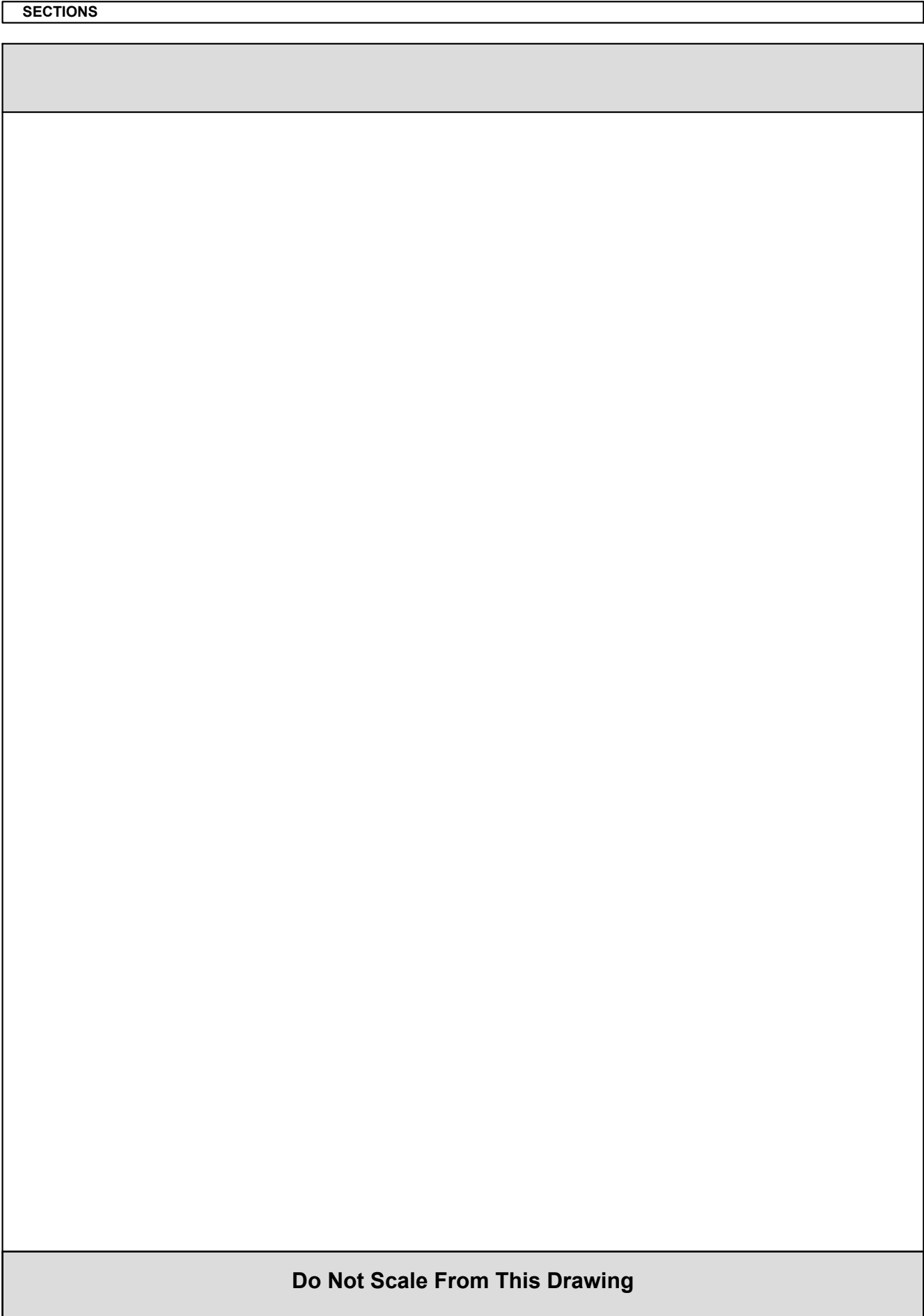
NOT TO SCALE

Do Not Scale From This Drawing

Open In - Detail 23B



Do Not Scale From This Drawing



Do Not Scale From This Drawing

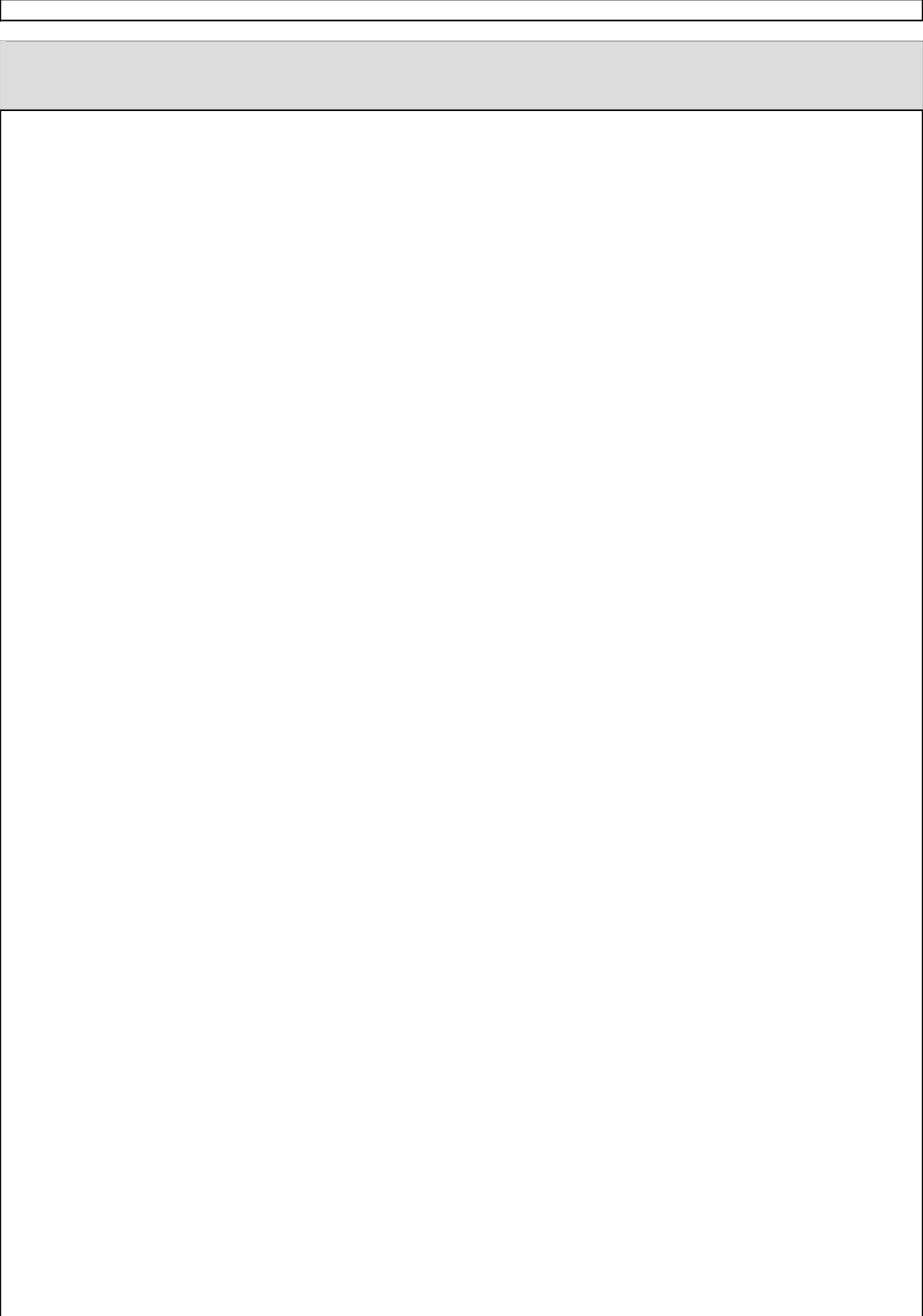
Section D

Statics

Open Out & In

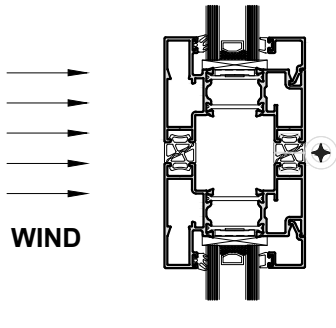
General Size Limitations are shown on Page A05.

**For Wind Loading Limitations, Please Contact
The Technical Department - T: 01934 876100**



Doors-Open In & Out

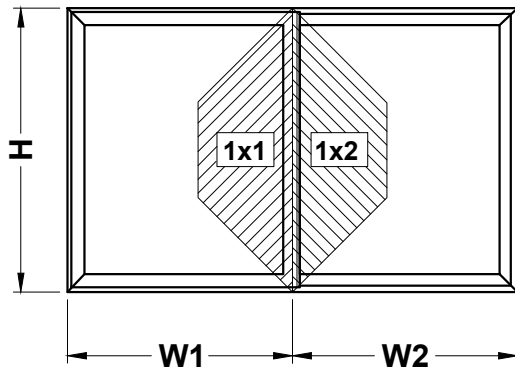
GENERAL INFORMATION - STATICS



The position of the axis is an indication for the use and application of the moments of inertia (I_x and I_y) and the section modulus (W_x and W_y). We always choose the values of the axis perpendicular to the load to resist it.

- To resist the wind loads we use the values I_x and W_x .

EXAMPLE



H = 2300mm

W1 = 1000mm

W2 = 1000mm

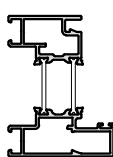
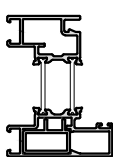
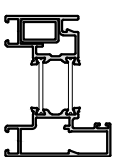
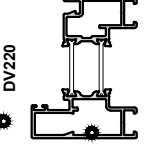
P = 1900 Pa (wind pressure)

- 1) Determine I_{xx} value for the meeting stiles (if required) using the Specification Wizard

$I_{xx} = 86 \text{ cm}^4$

- 2) Determine profile combinations



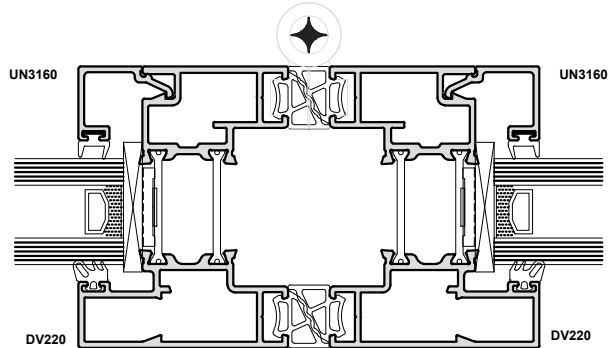
	DV220	DV220 DV150	DV220 DV250
DV220	 78.3cm ⁴	 85.1cm ⁴	 86.1cm ⁴
DV220 DV150	 85.1cm ⁴	91.9cm⁴	92.9cm ⁴

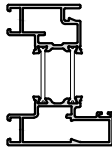
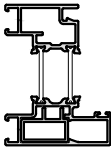
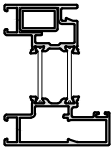
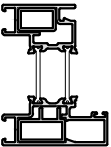
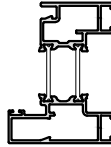



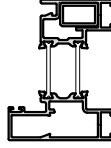



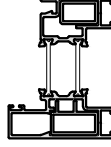



Do Not Scale From This Drawing

Doors-Open In & Out

f_{max} = B/200 < 15mm
max sash weight = 100kg
max sash width = 1200mm
max sash height = 2500mm

F_{MAX} = B/200 < 15mm
MAX SASH WEIGHT = 100kg
MAX SASH WIDTH = 1200mm
MAX SASH HEIGHT = 2500mm



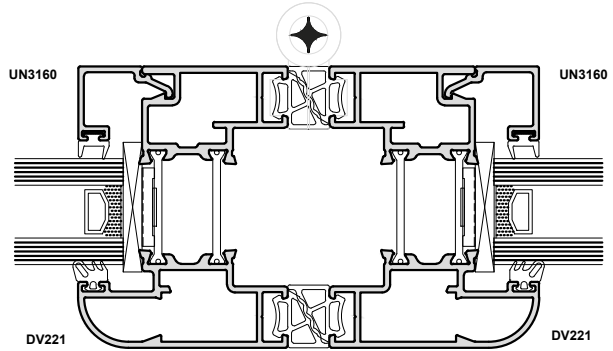
	DV220	DV220 DV150	DV220 DV250	DV220 DV150 DV250
DV220				
DV220	78.3	85.1	86.1	95.5
DV220 DV150				
DV220	85.1	91.9	92.9	102.3
DV220 DV250				
DV220	86.1	92.9	93.9	103.3
DV220 DV150 DV250				
DV220	95.5	102.3	103.3	112.7

Do Not Scale From This Drawing

Doors-Open In & Out

f_{max} = B/200 < 15mm
max sash weight = 100kg
max sash width = 1200mm
max sash height = 2500mm

F_{MAX} = B/200 < 15mm
MAX SASH WEIGHT = 100kg
MAX SASH WIDTH = 1200mm
MAX SASH HEIGHT = 2500mm

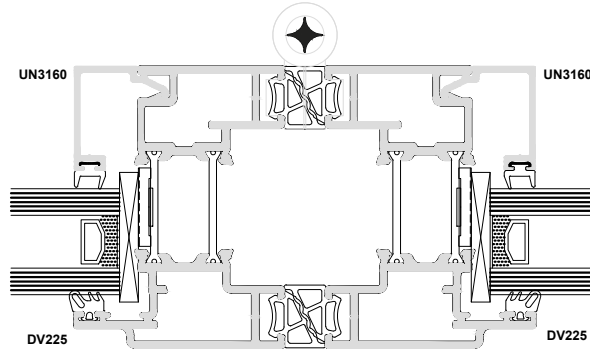


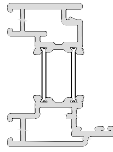
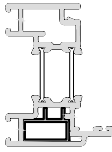
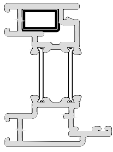
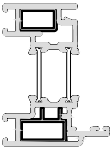
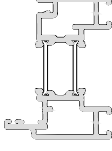
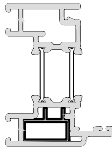
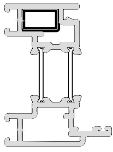
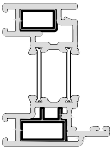
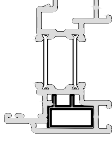
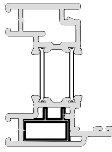
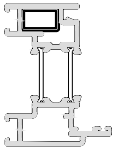
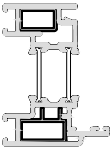
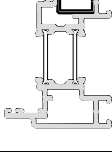
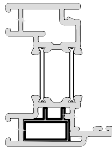
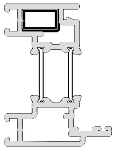
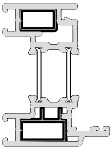
	DV221	DV221 DV150	DV221 DV250	DV221 DV150 DV250
DV221				
DV221	76.1	83.2	83.6	93.3
DV221 DV150				
DV221 DV150	83.2	90.2	90.7	100.4
DV221 DV250				
DV221 DV250	83.6	90.7	91.1	100.9
DV221 DV150 DV250				
DV221 DV150 DV250	93.3	100.4	100.9	110.6

Do Not Scale From This Drawing

Doors-Open In & Out

fmax = B/200 < 15mm
max sash weight = 100kg
max sash width = 1200mm
max sash height = 2500mm

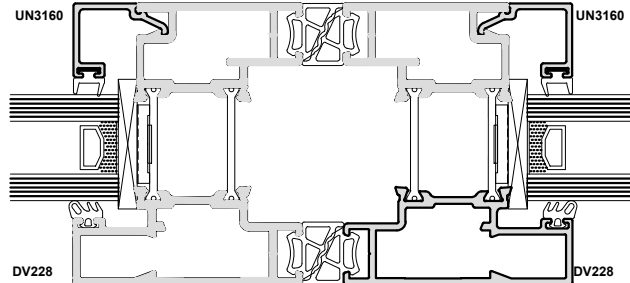


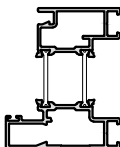
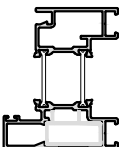
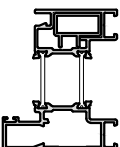
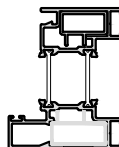
	DV225	DV225 DV150	DV225 DV250	DV225 DV150 DV250
DV225	 76.2	 83.4	 83.7	 95.4
DV225 DV150	 83.4	 90.6	 90.9	 102.6
DV225 DV250	 83.7	 90.9	 91.2	 102.9
DV225 DV150 DV250	 95.4	 102.6	 102.9	 114.6

Do Not Scale From This Drawing

Doors-Open In & Out

fmax = B/200 < 15mm
max sash weight = 100kg
max sash width = 1200mm
max sash height = 2500mm

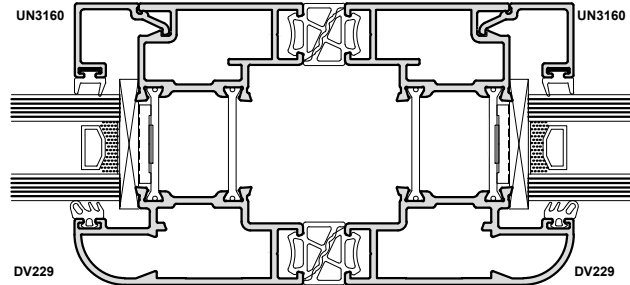


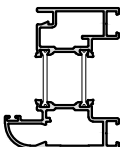
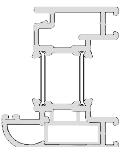
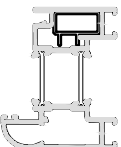
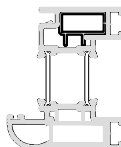
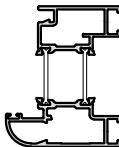
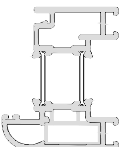
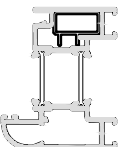
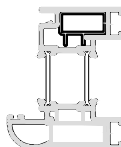
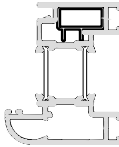
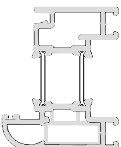
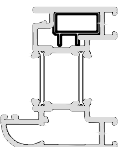
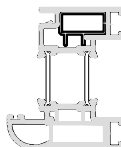
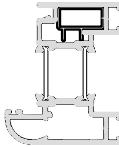
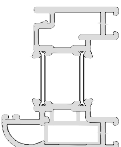
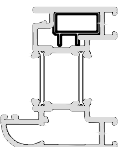
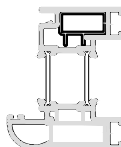
	DV228	DV228 DV50	DV228 DV150	DV228 DV50 DV150
DV228				
DV228 DV50	86.4	93.6	96.5	107.1
DV228 DV150	93.6	100.8	103.7	114.3
DV228 DV50 DV150	96.5	103.7	106.6	117.2
DV228 DV50 DV150	107.1	114.3	117.2	127.8

Do Not Scale From This Drawing

Doors-Open In & Out

fmax = B/200 < 15mm
max sash weight = 100kg
max sash width = 1000mm
max sash height = 2200mm



	DV229	DV229 DV50	DV229 DV150	DV229 DV50 DV150
DV229	 84.2	 91.6	 93.9	 104.9
DV229 DV50	 91.6	 99.0	 101.3	 112.3
DV229 DV150	 93.9	 101.3	 103.6	 114.6
DV229 DV50 DV150	 104.9	 112.3	 114.6	 125.5

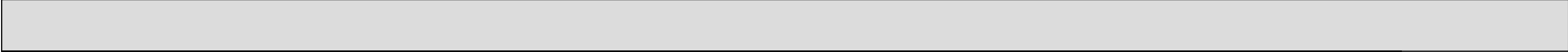
Do Not Scale From This Drawing

Section E

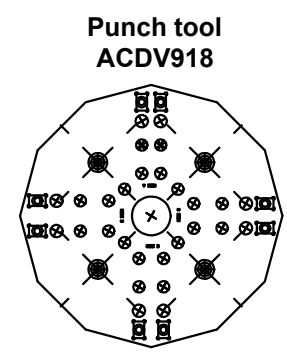
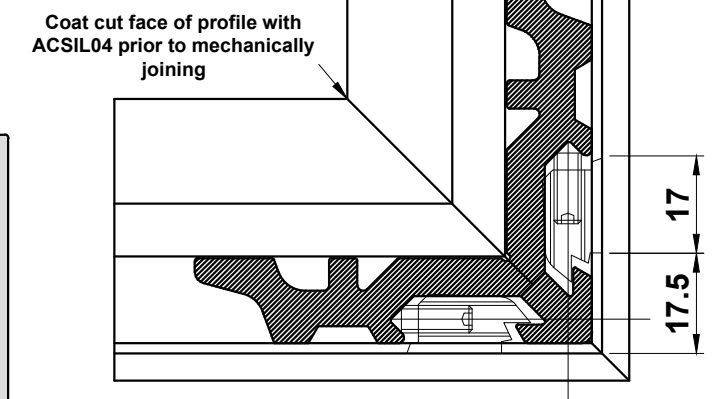
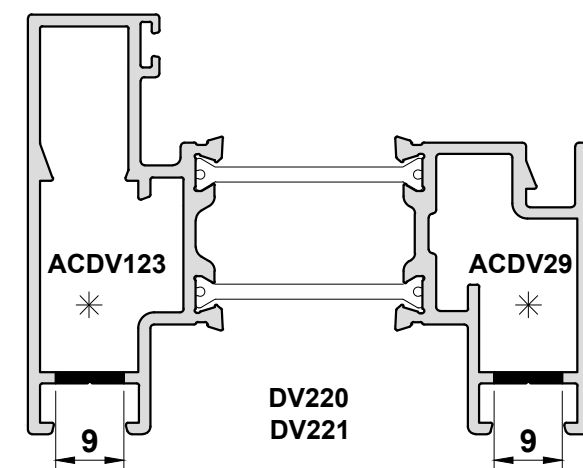
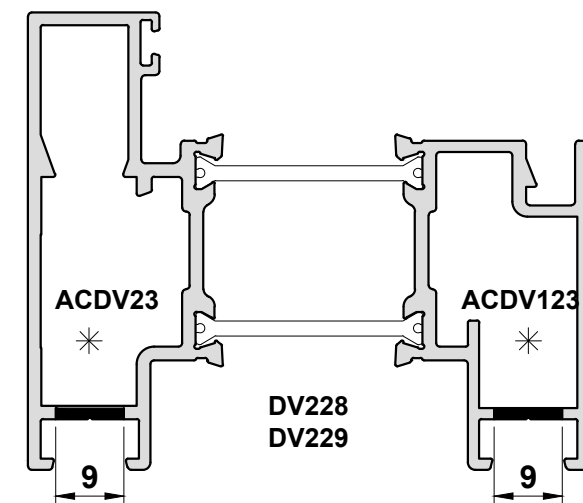
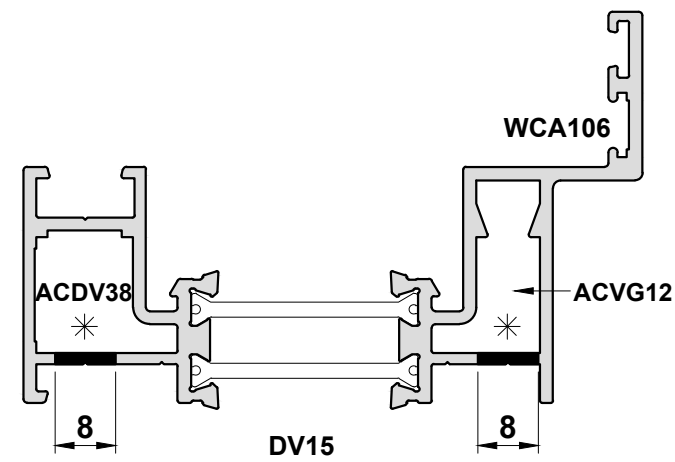
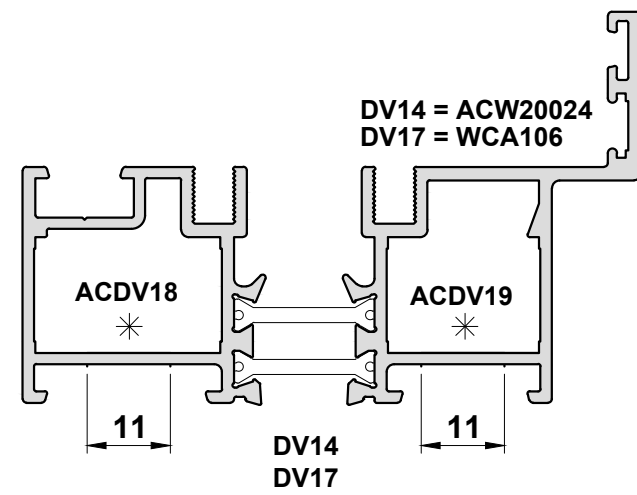
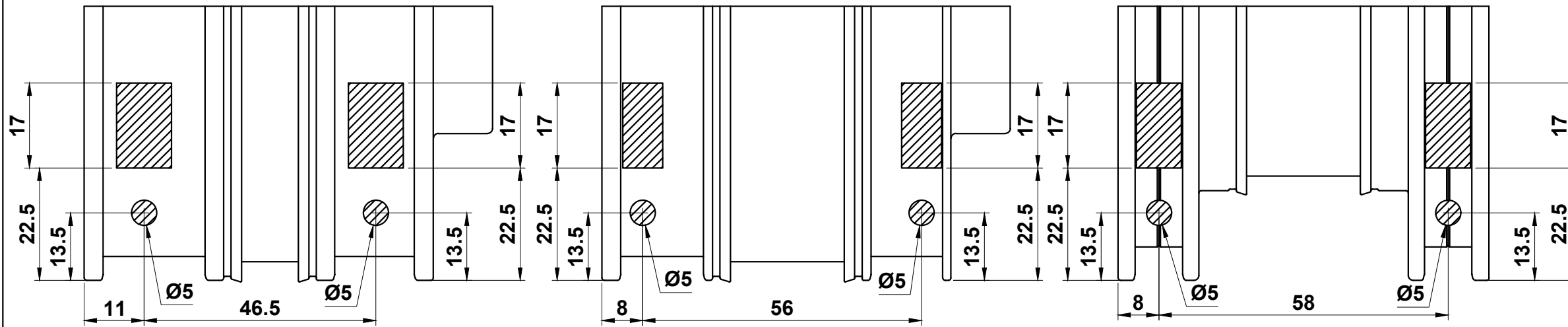


Construction Drawings - OPEN OUT

Corner, Threshold & Transom Jointing.....	E03-E06
Drainage.....	E07-E08
Locking Hardware.....	E08-E20
Sash Reinforcement.....	E21
Adjustable Jamb.....	E22
Hinge Location Details.....	E23-E24
DV32/DV38 Preparation.....	E25
ACDV385 Guide.....	E26
Weather Seals.....	E27-E28
Glazing.....	E29-E33
Glass Adjuster Kit.....	E34
Magnetic Catch.....	E35-E36
90° Corner Assembly Post.....	E37
PAS24 Details.....	E38-E40
ACDV291 Restrictor.....	E41-E42



Corner Preparation

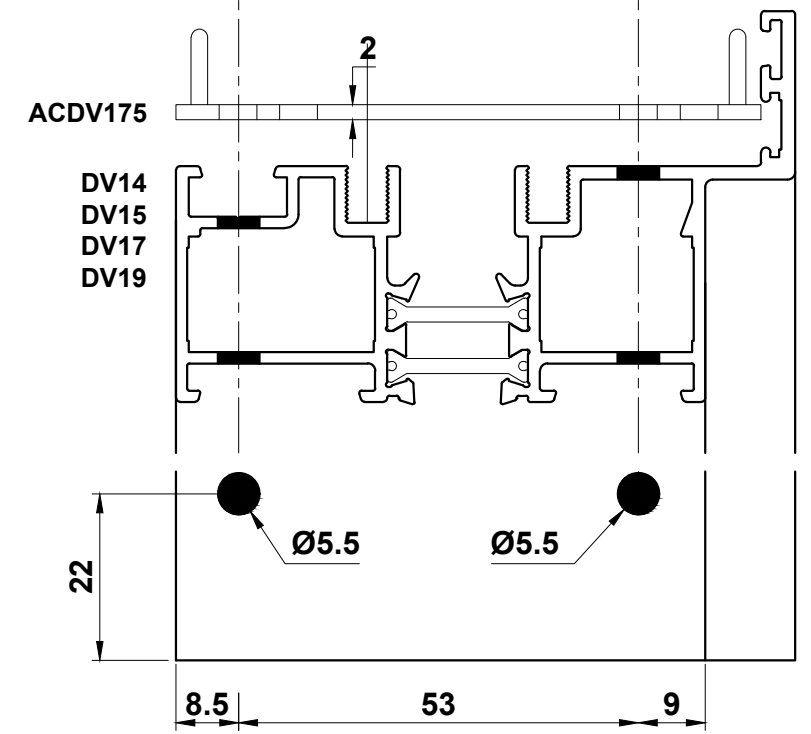
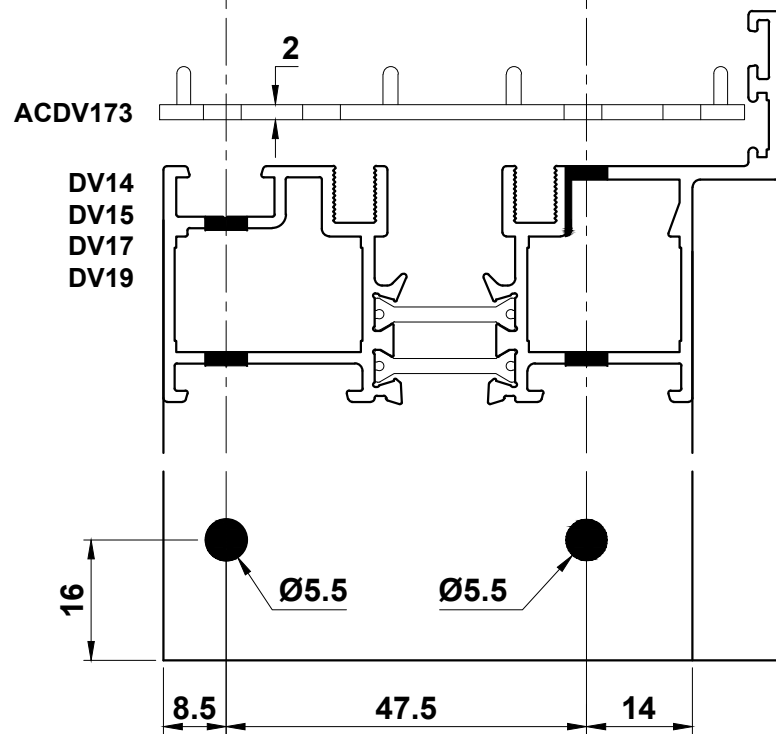
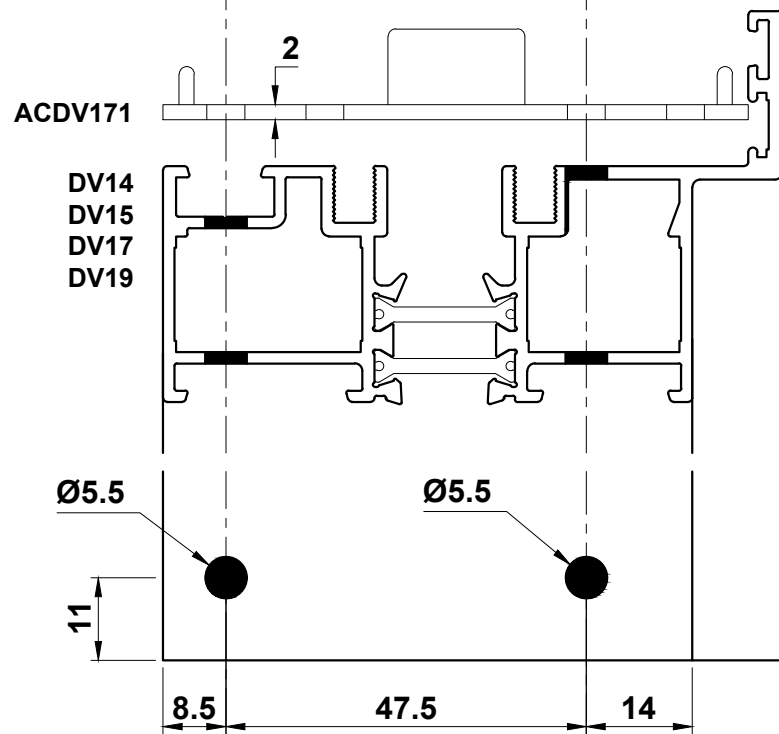
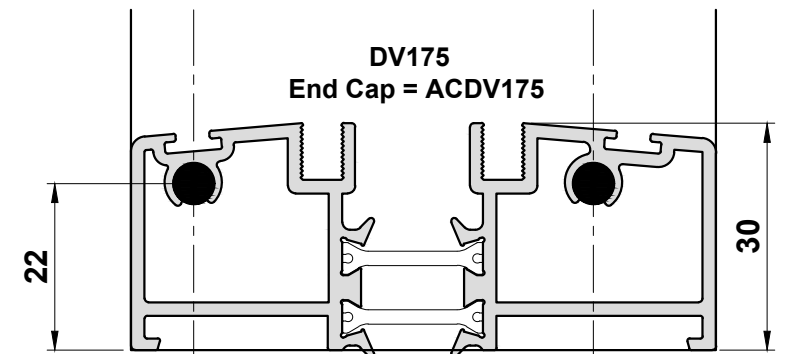
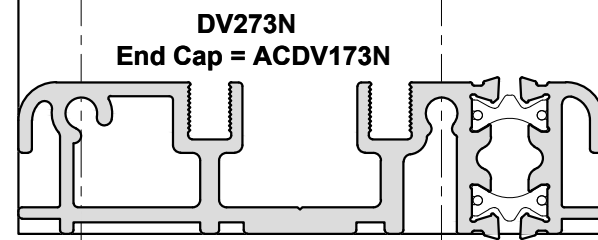
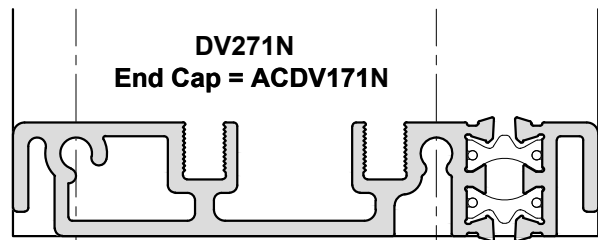
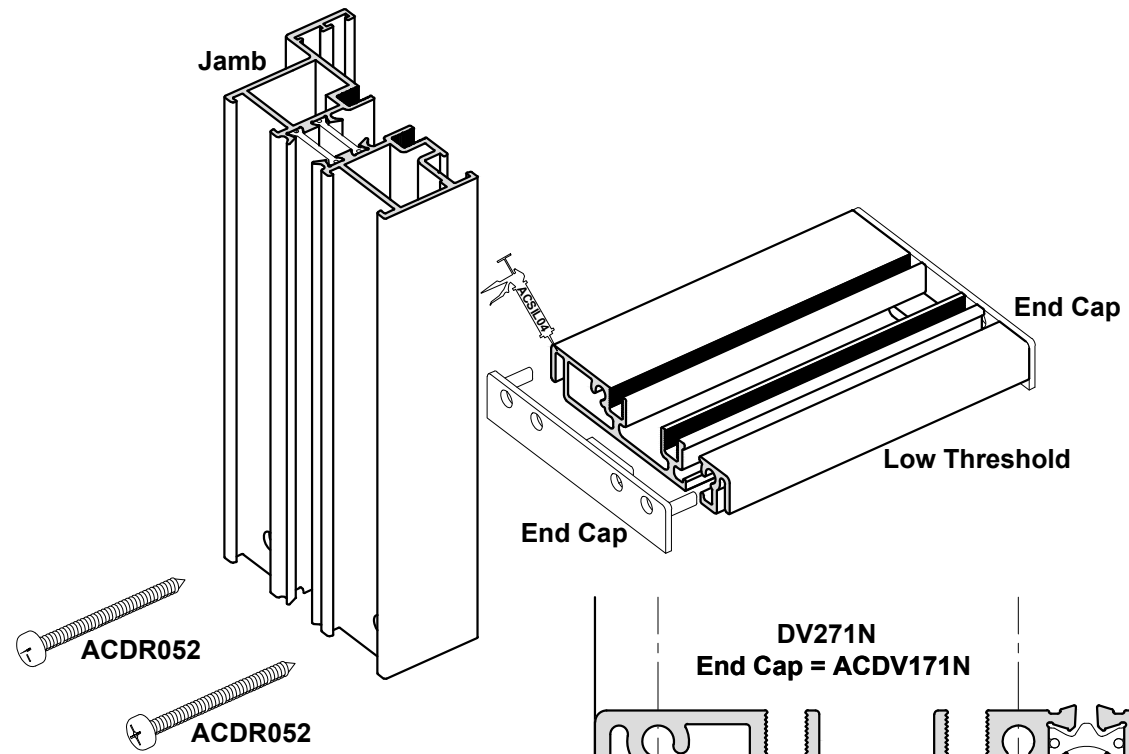


- Notes**
1. Degrease mitre sections
 2. Cover mitred faces with ACSIL04
 3. Apply ACSIL013 to cleat chamber
 4. Apply ACSIL04 to any fractures formed by crimping to make watertight

APPLY GLUE (ACIL013) TO CLEAT APERTURE MARKED *

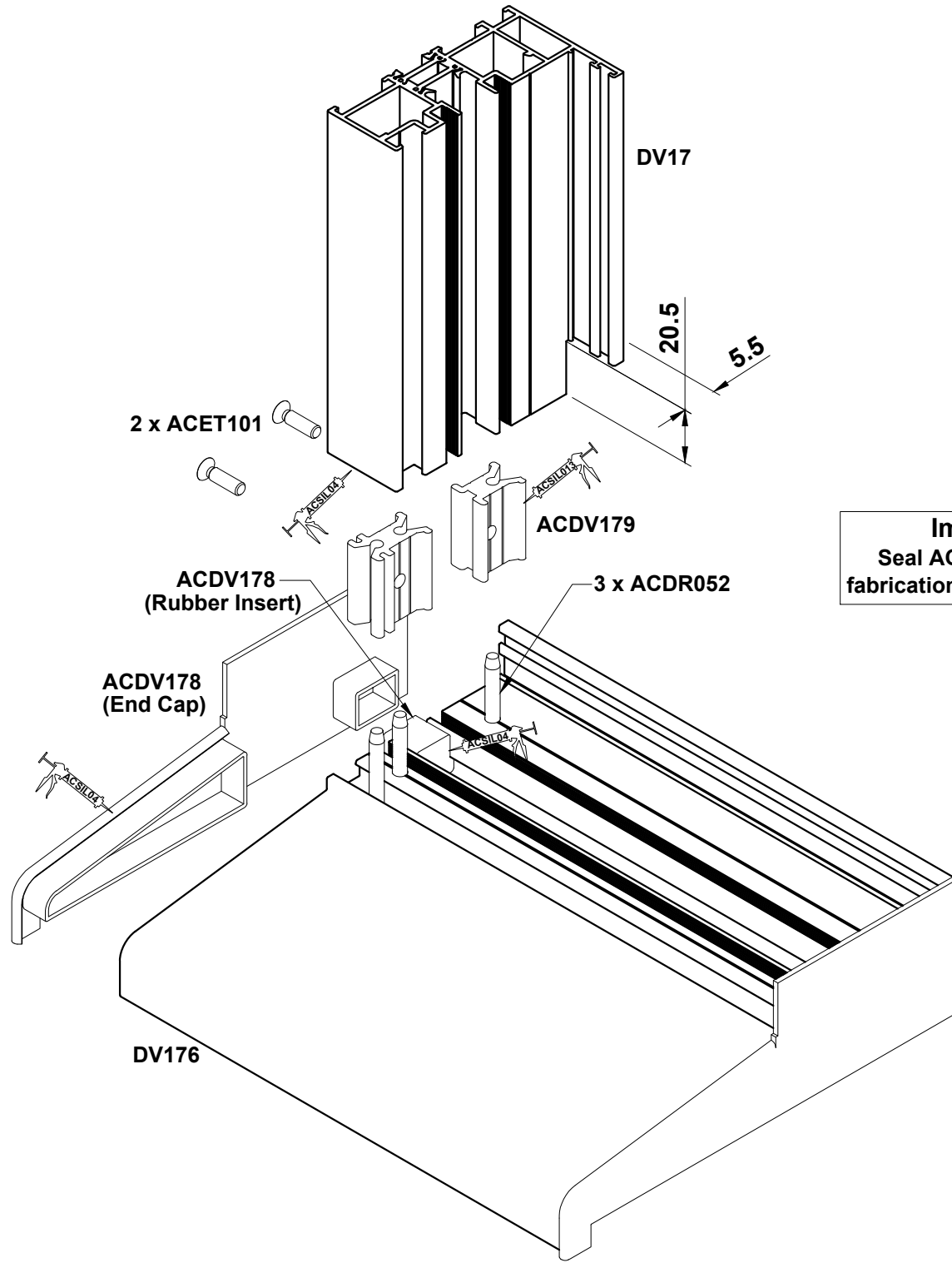
Do Not Scale From This Drawing

Low Threshold Preparation

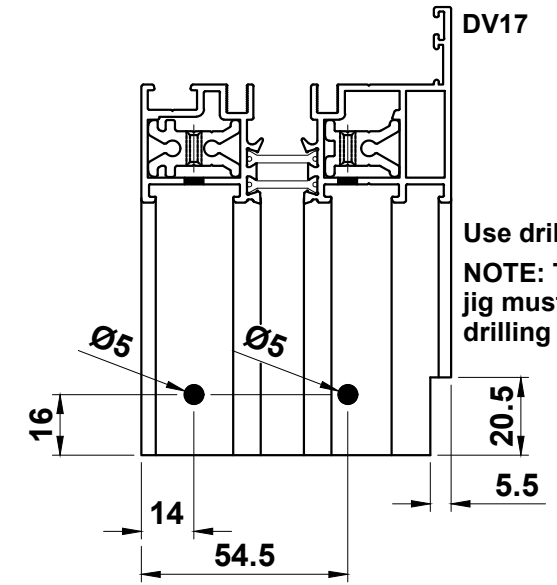


Do Not Scale From This Drawing

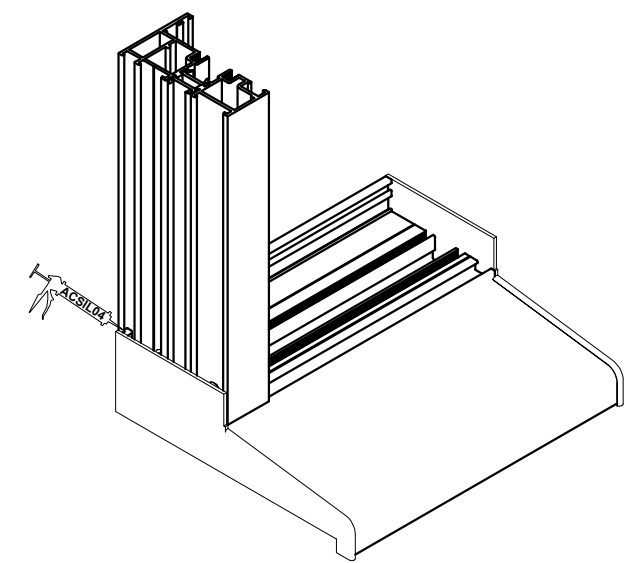
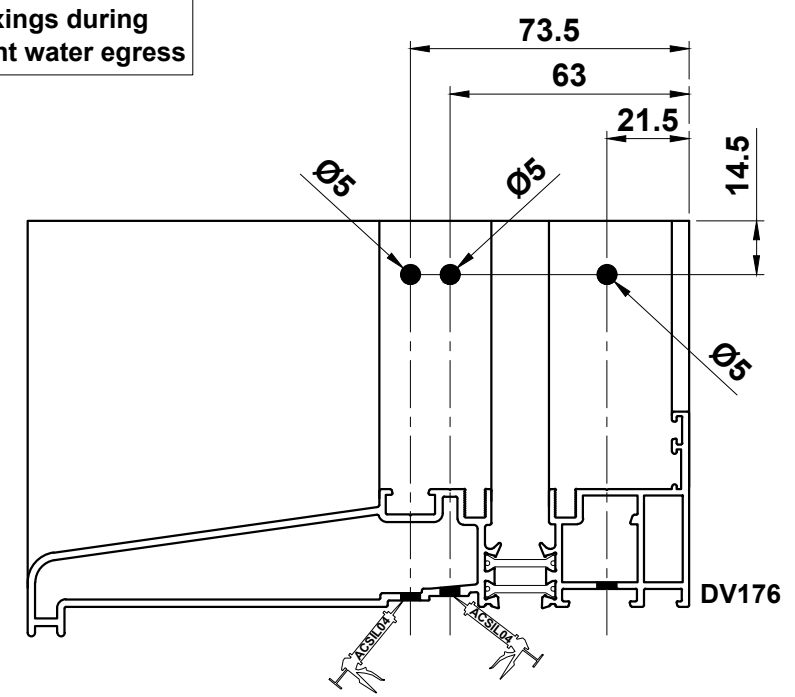
DV17 & DV176 Joint Detail



Important Note:
Seal ACDR052 fixings during fabrication to prevent water egress



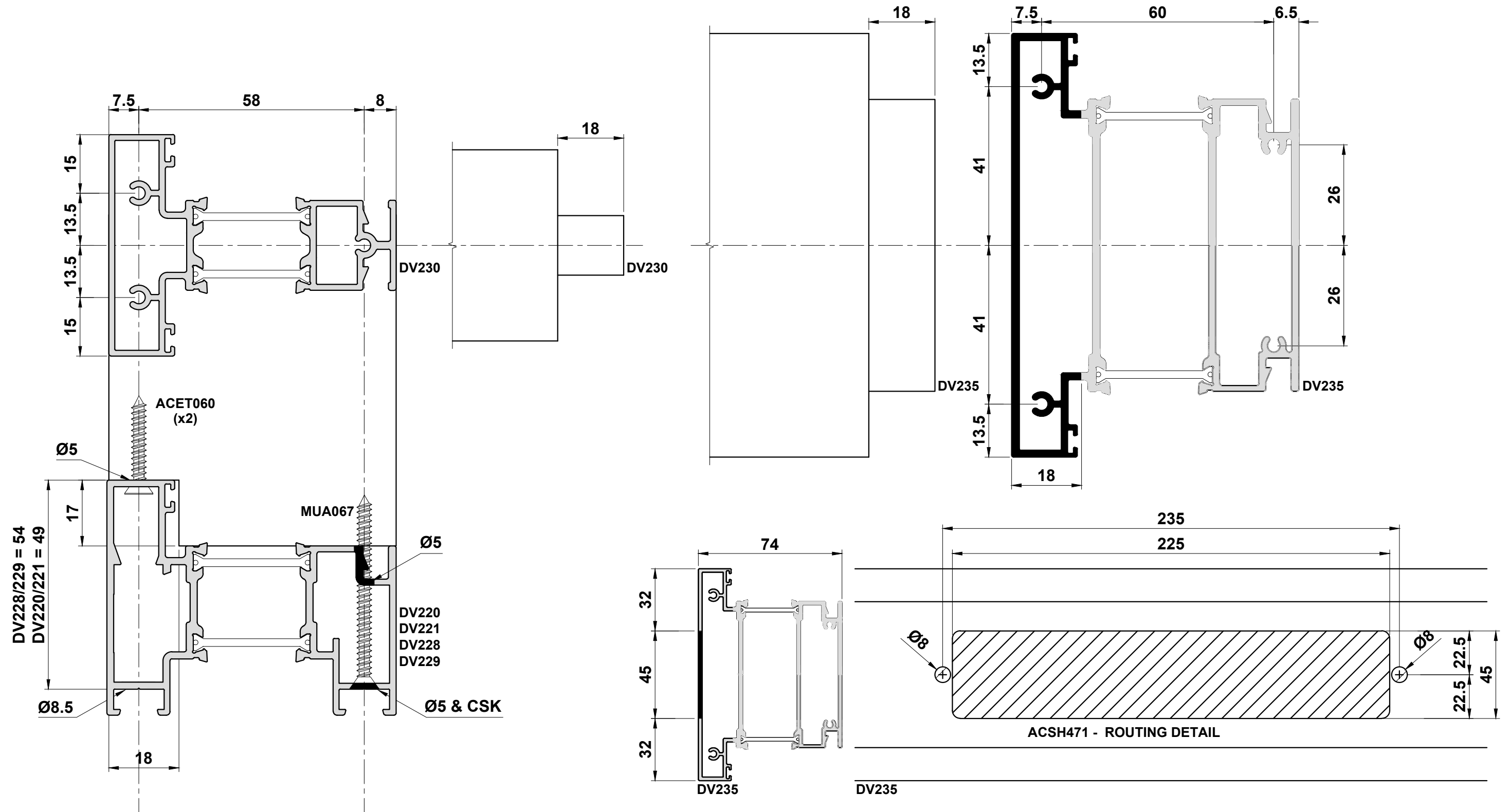
Use drill jig ACDV952
NOTE: To avoid injury, jig must be clamped before drilling



ACDV178 shall be fully sealed against DV17 & DV176 to prevent water egress over edge

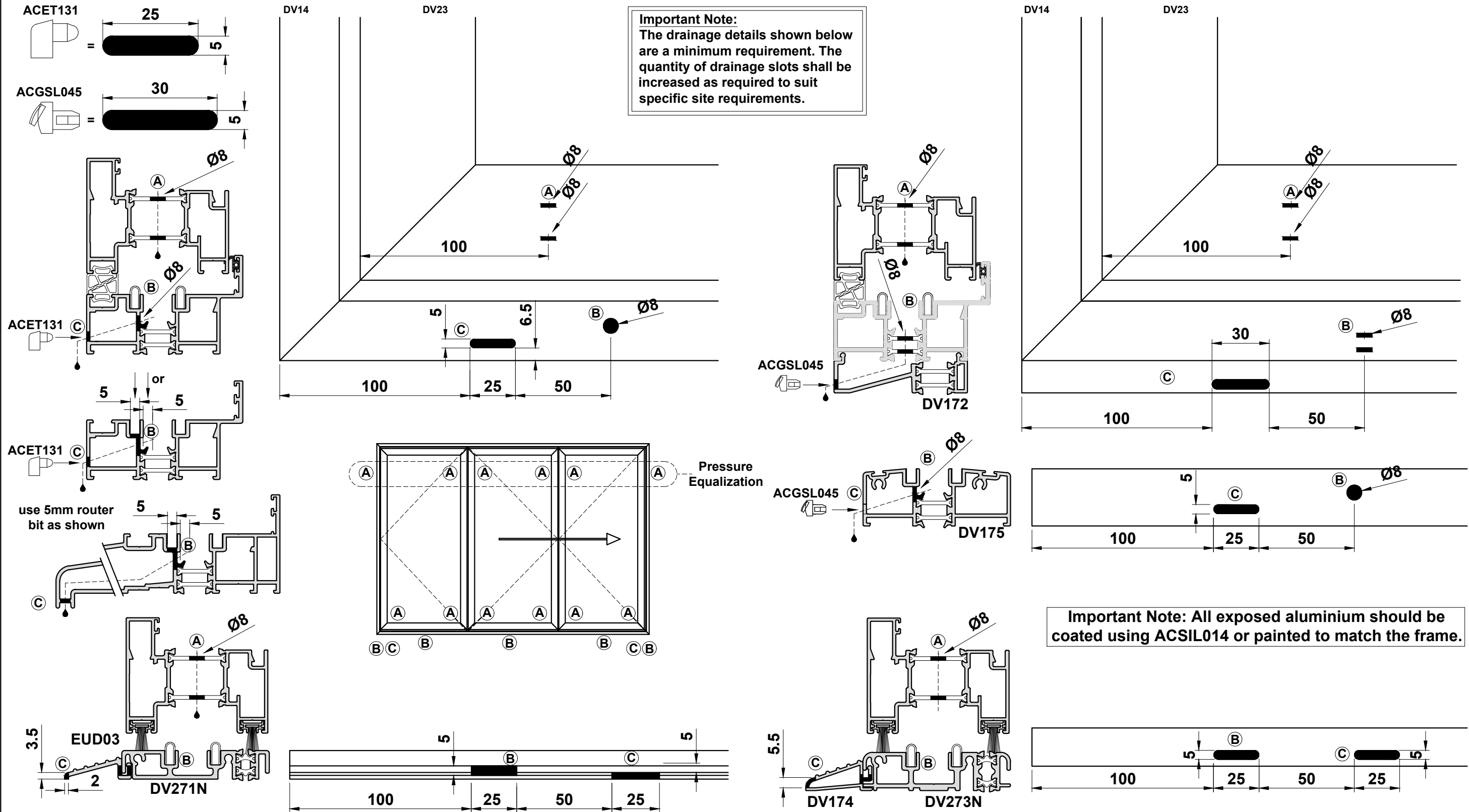
Do Not Scale From This Drawing

DV230 & DV235 Mid-Rail Preparation



Do Not Scale From This Drawing

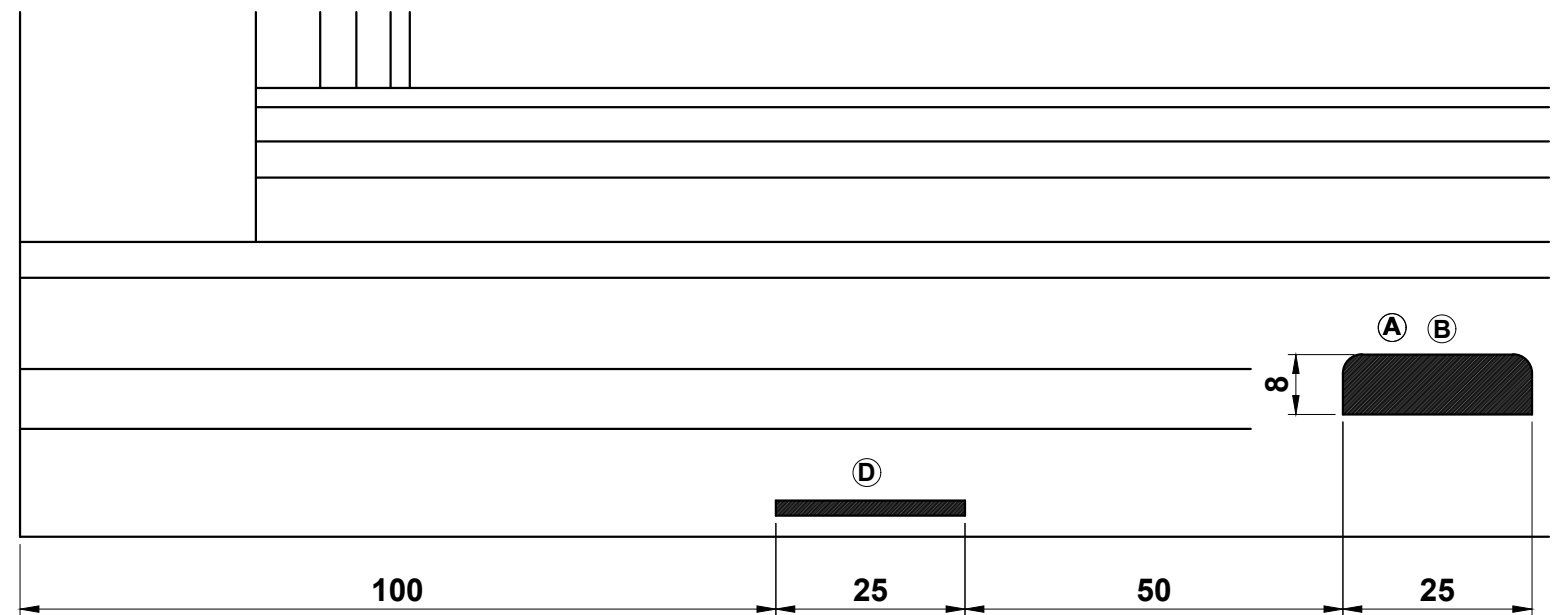
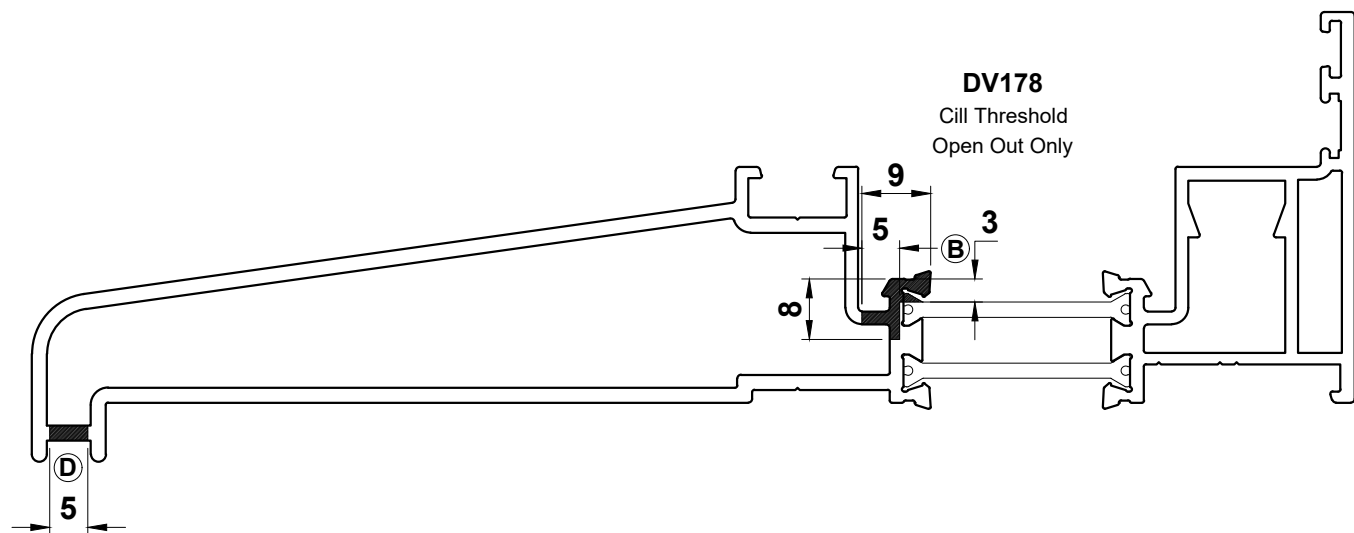
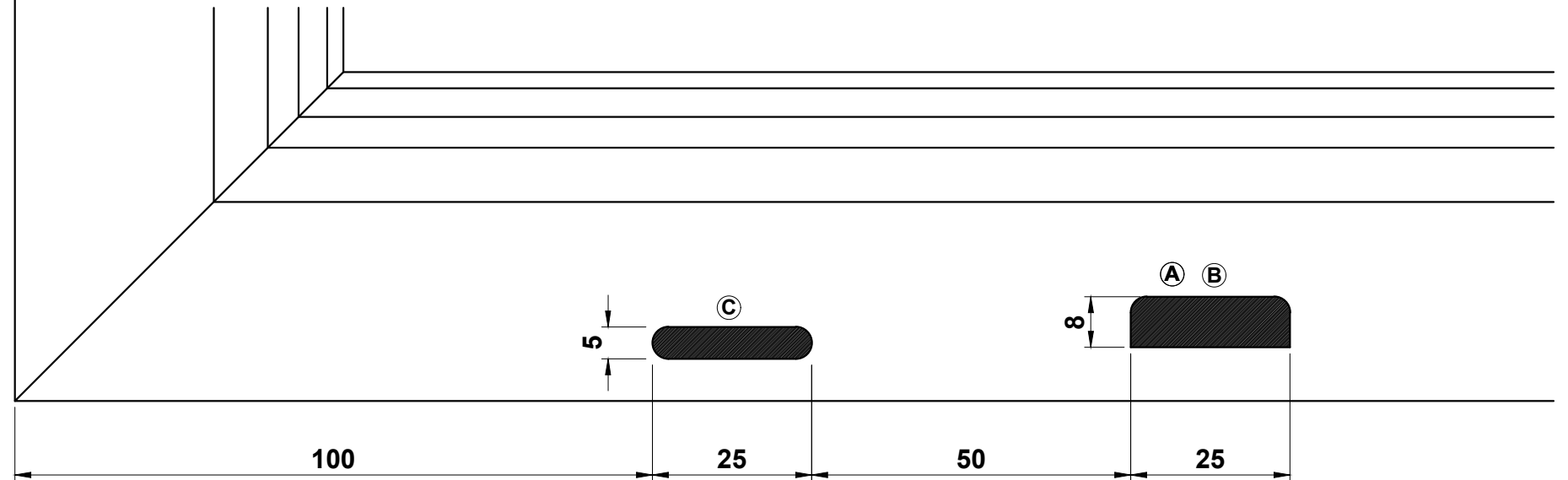
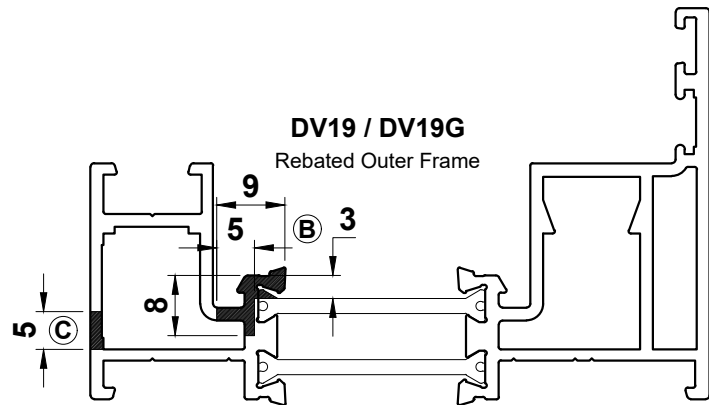
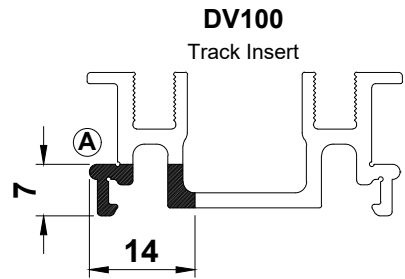
Drainage Details



Do Not Scale From This Drawing

Drainage Details

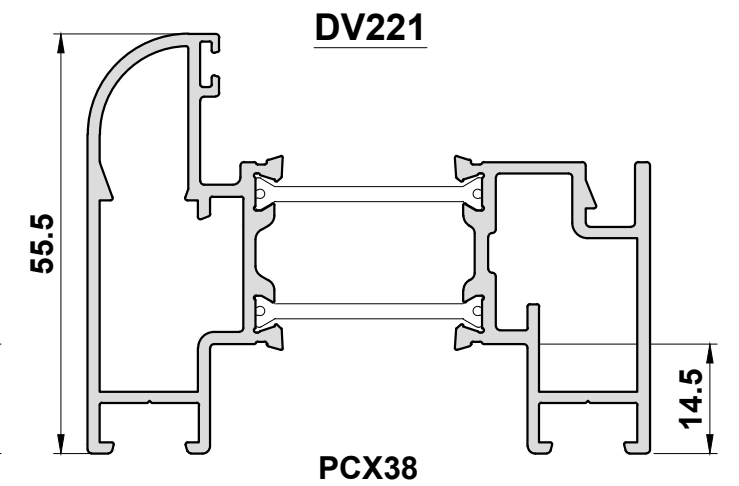
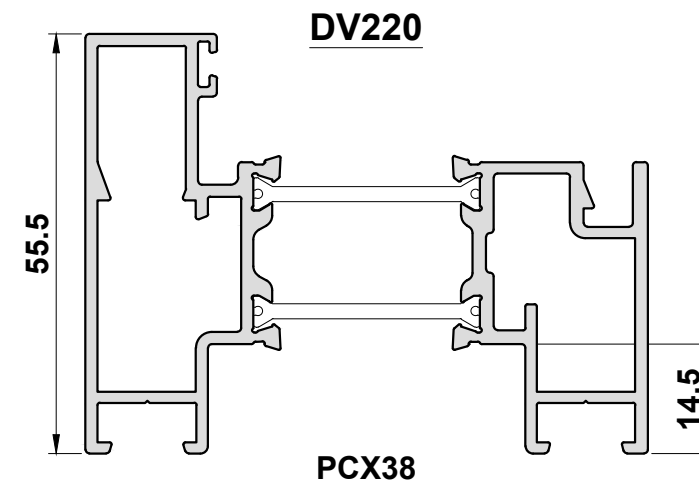
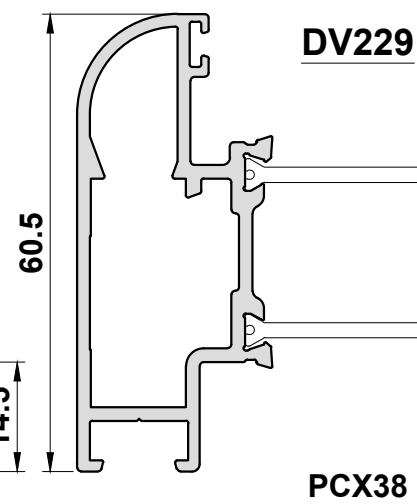
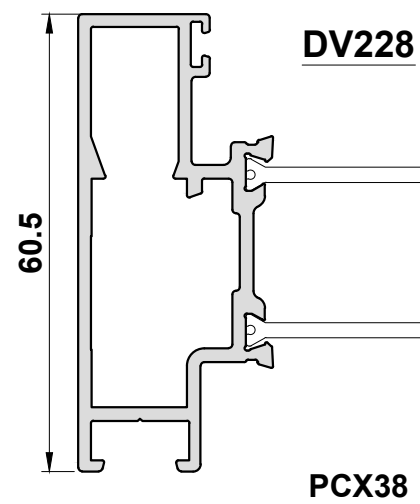
Important Note:
The drainage details shown below are a minimum requirement. The quantity of drainage slots shall be increased as required to suit specific site requirements.



Do Not Scale From This Drawing

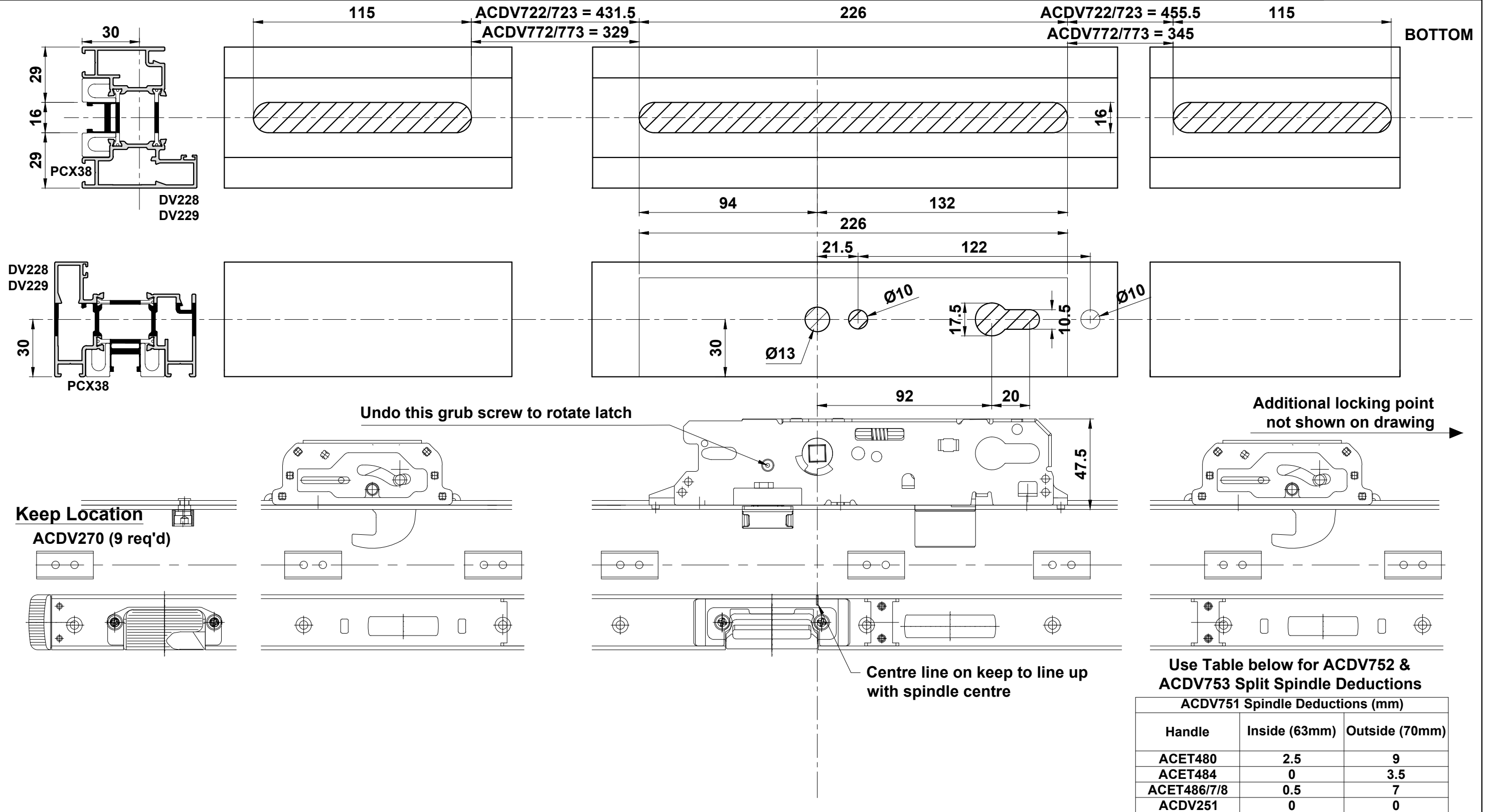
Lock Selection

		Lock Type				
		Standard Primary	Secondary	Split	Key Operated	Short Primary
Sash Profile	DV228	ACDV722 ACDV723	ACDV727 WITH SHOOTBOLTS	ACDV752 ACDV753	ACDV762 ACDV763	ACDV772 ACDV773
	DV229					
	DV220	ACDV576 ACDV577	ACDV745	NOT AVAILABLE		ACDV676 ACDV677
	DV221					



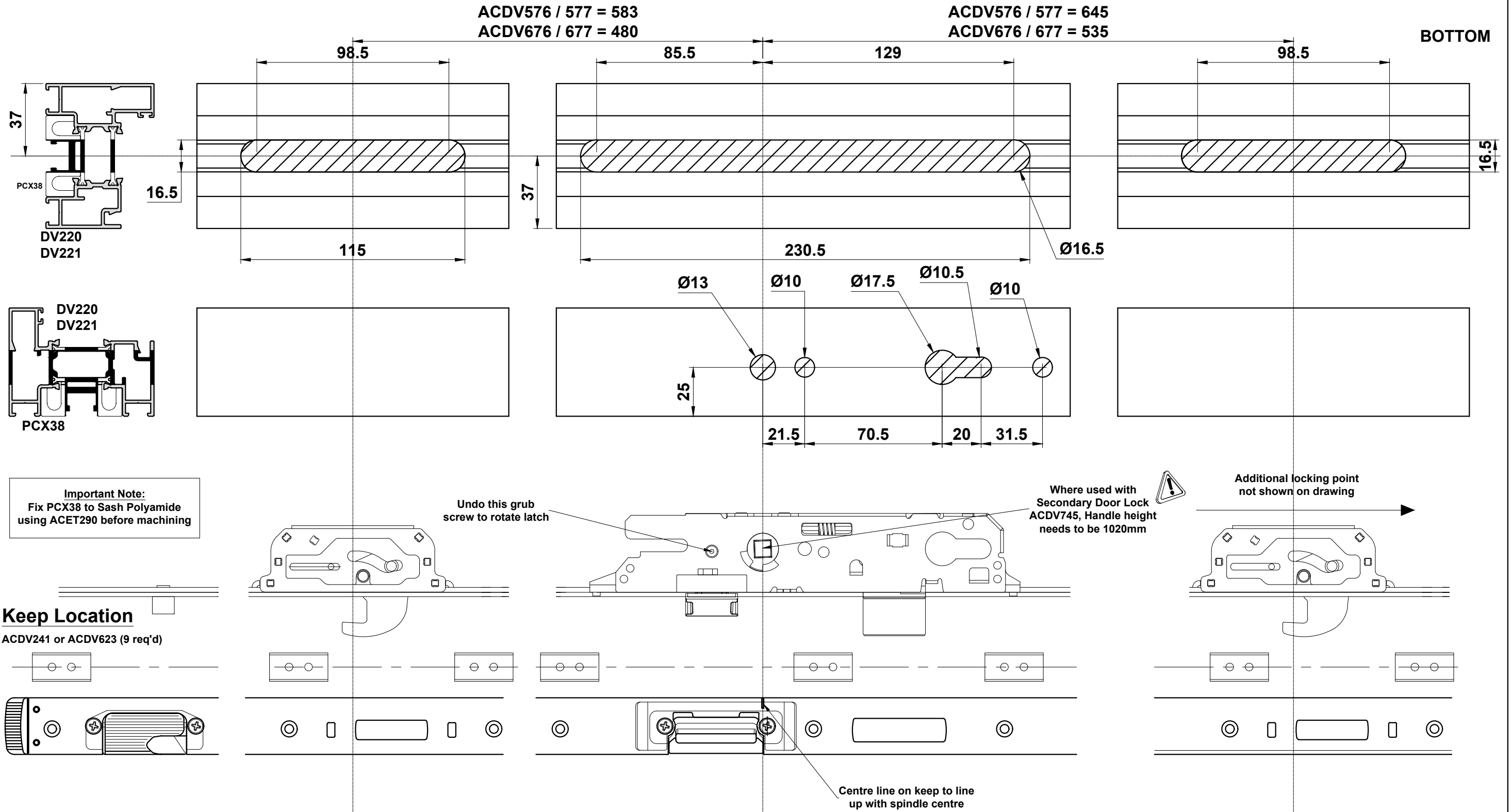
Do Not Scale From This Drawing

Lock Preparation in DV228 & DV229 with ACDV251 Handle



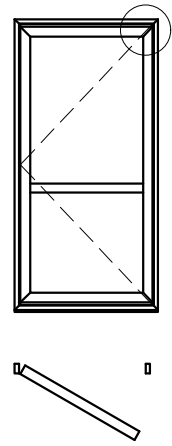
Do Not Scale From This Drawing

ACDV576/ACDV577 Preparation DV220 & DV221 with ACDV251 Handle

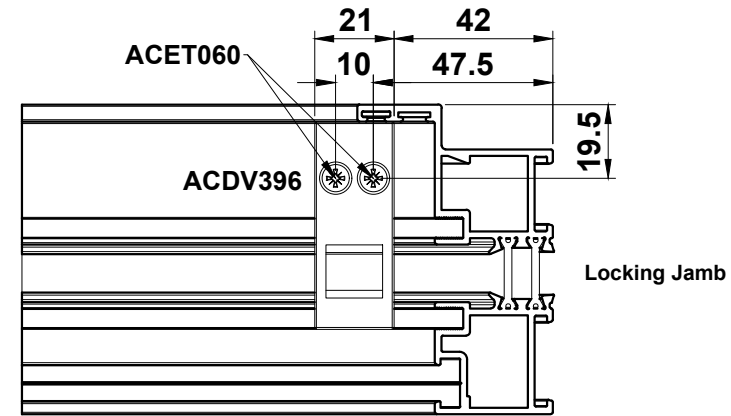


Do Not Scale From This Drawing

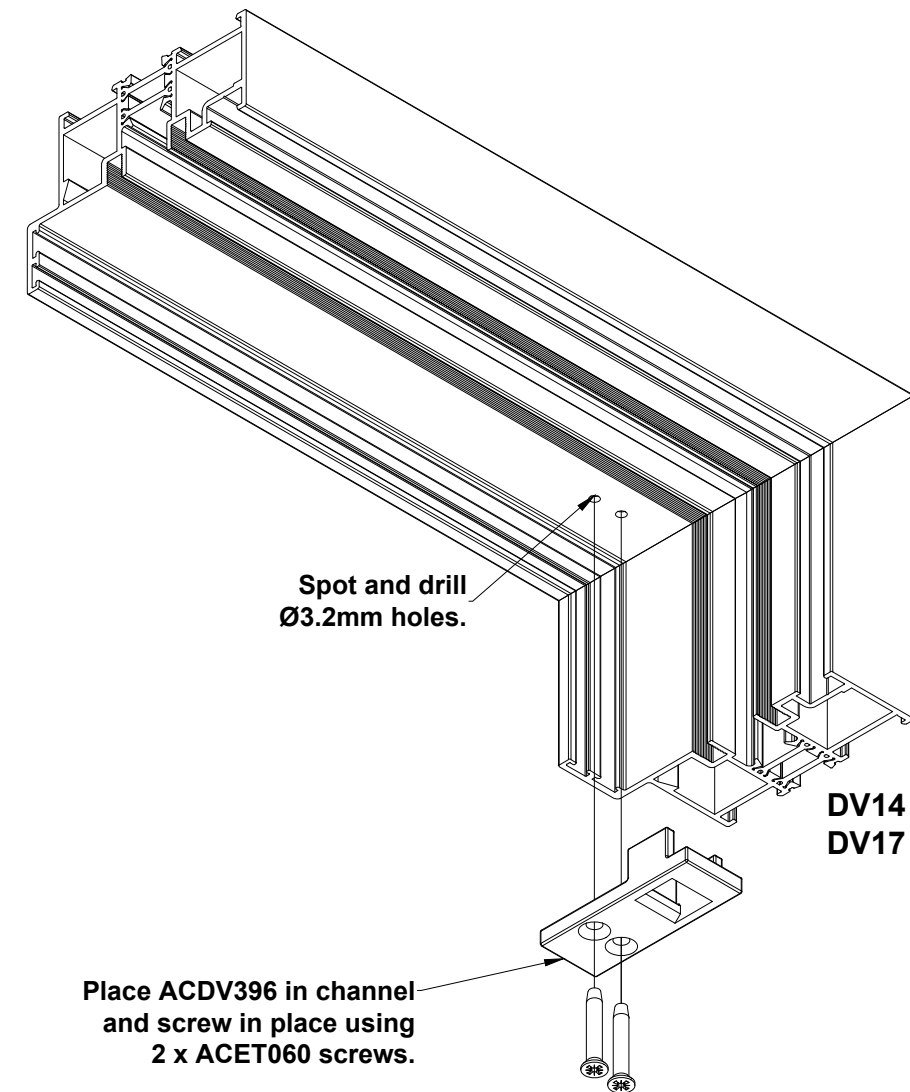
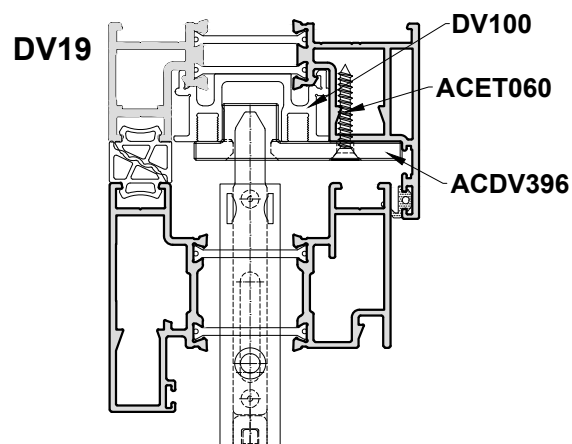
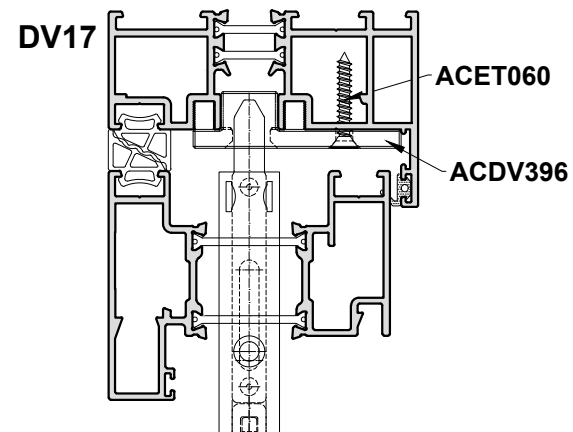
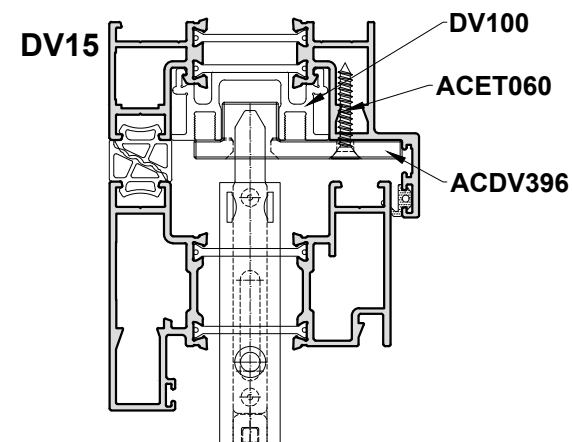
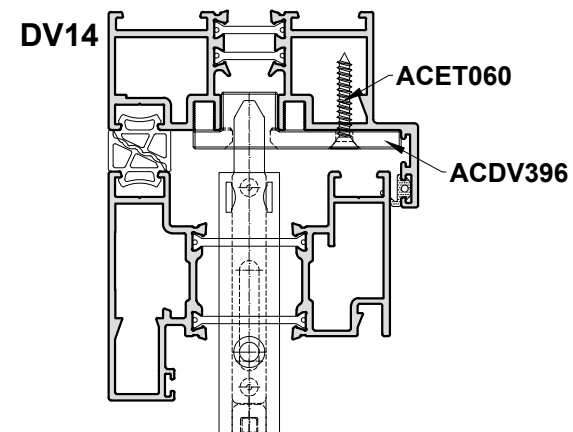
ACDV396 Shootbolt Keep Detail for Single Doors



Viewed from Bottom

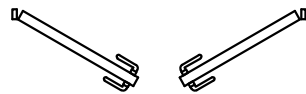
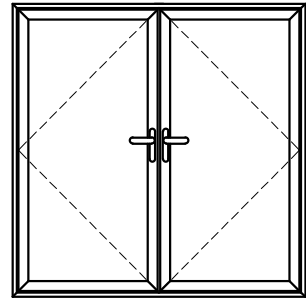


It is recommended that ACDV396 keep to be installed in the head of doors where Sash Height exceeds 2300mm.



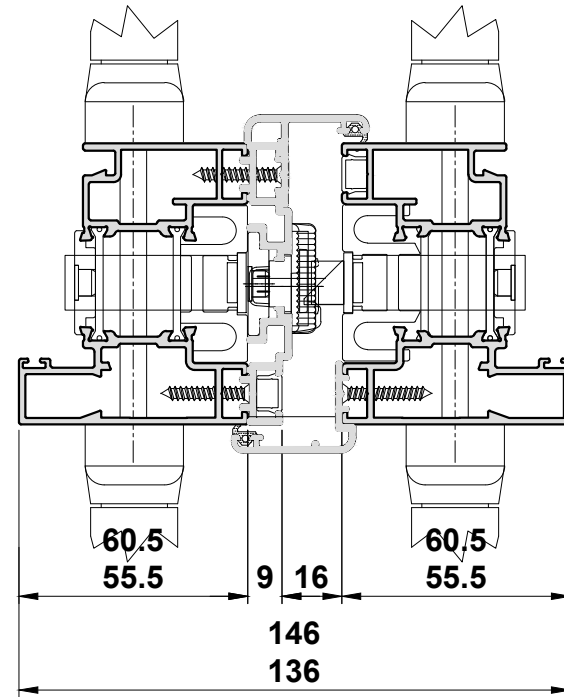
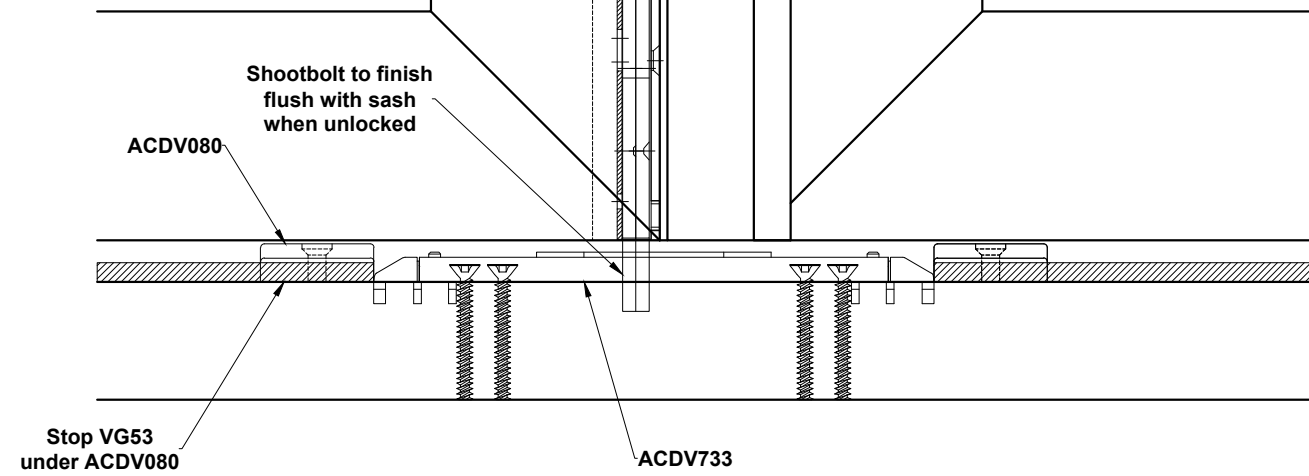
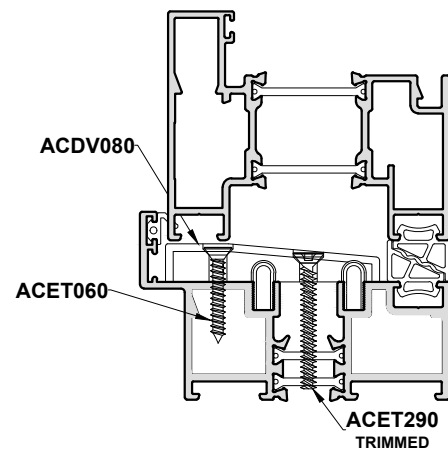
Do Not Scale From This Drawing

Lever/Lever Handles to Primary & Secondary Leaf



PLEASE REFER TO PAGE E07 FOR LOCK & LOCK PACKER COMPATIBILITY

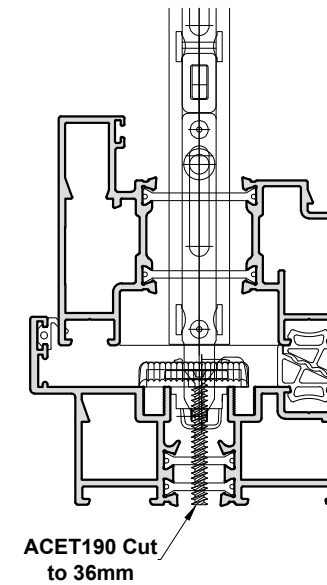
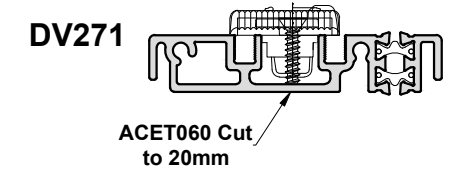
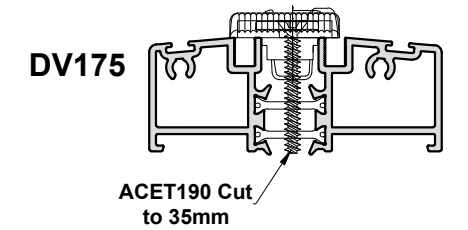
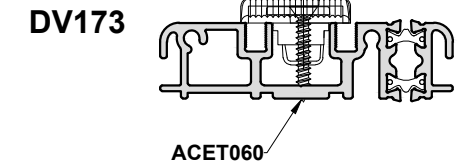
ACDV733 KEEP CAN BE USED WITH ACDV727 & ACDV745



DV23, DV26, DV123 & DV126 SASHES CAN BE USED FOR LEVER / LEVER CONFIGURATION.

FOR LOCK PREP PLEASE REFER TO PAGE;
E15 - ACDV727 (DV23 & DV26)
E16 - ACDV745 (DV123 & DV126)

DV75 IS ALSO COMPATIBLE WITH DV173, DV175 & DV271

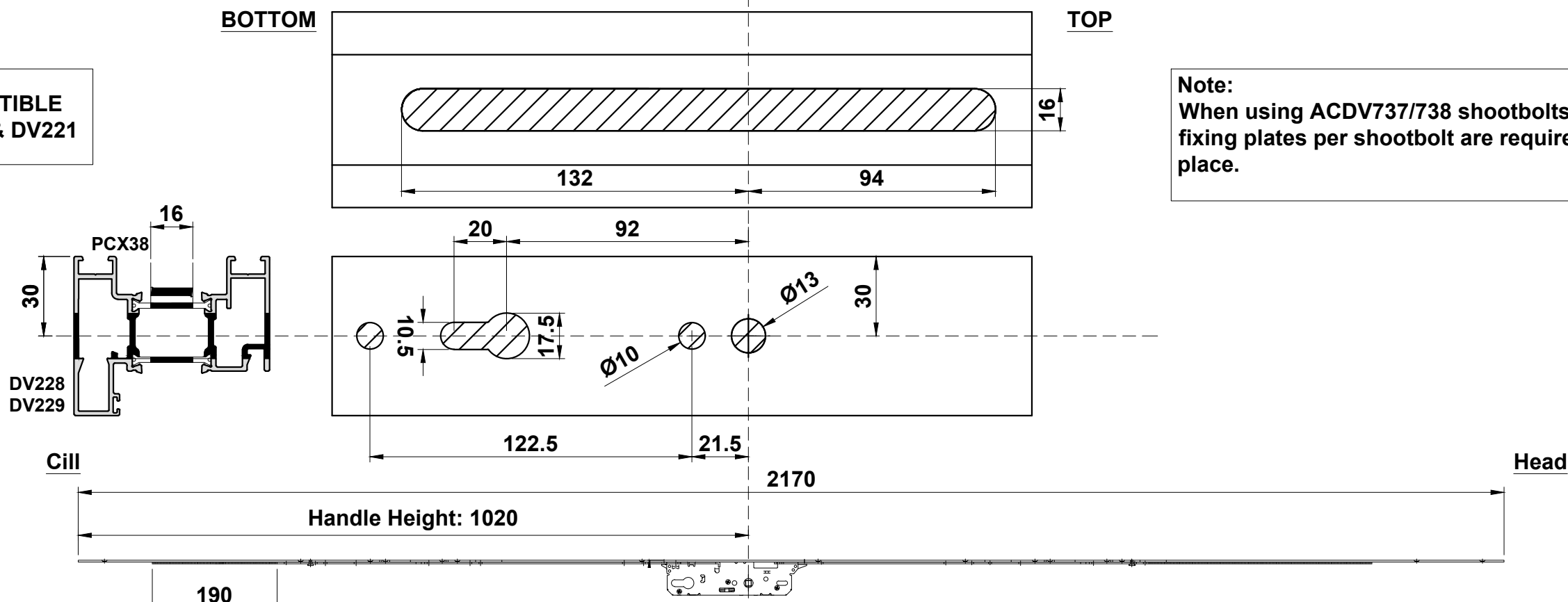


Do Not Scale From This Drawing

ACDV727 Preparation with ACDV251 Handle

**NOT COMPATIBLE
WITH DV220 & DV221**

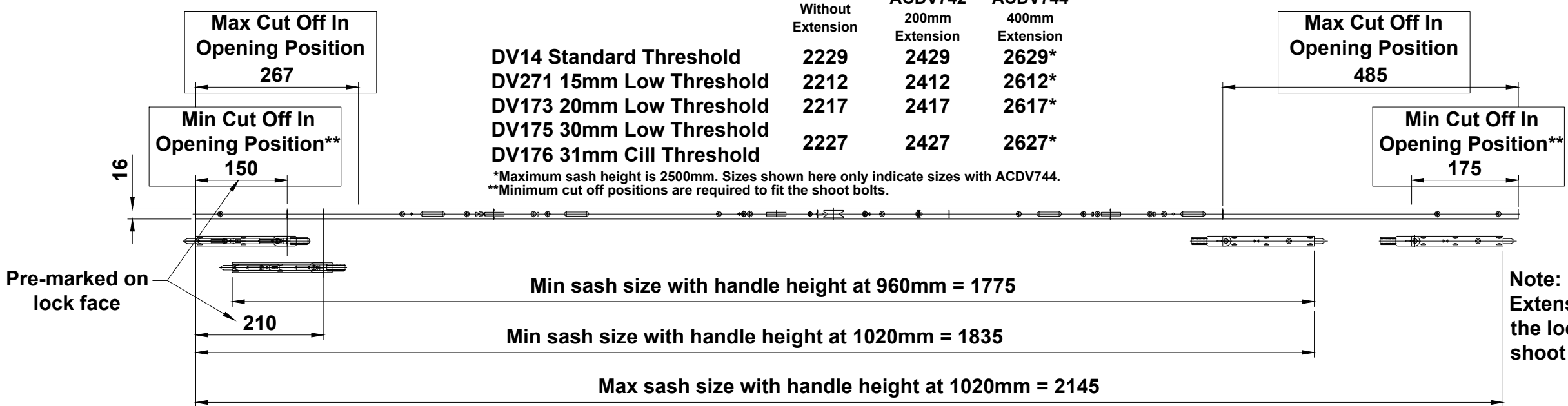
Note:
When using ACDV737/738 shootbolts an additional 2 x fixing plates per shootbolt are required to secure in place.



Maximum overall door height (mm) including outer frame:

	Without Extension	ACDV742 200mm Extension	ACDV744 400mm Extension
DV14 Standard Threshold	2229	2429	2629*
DV271 15mm Low Threshold	2212	2412	2612*
DV173 20mm Low Threshold	2217	2417	2617*
DV175 30mm Low Threshold	2227	2427	2627*
DV176 31mm Cill Threshold	2227	2427	2627*

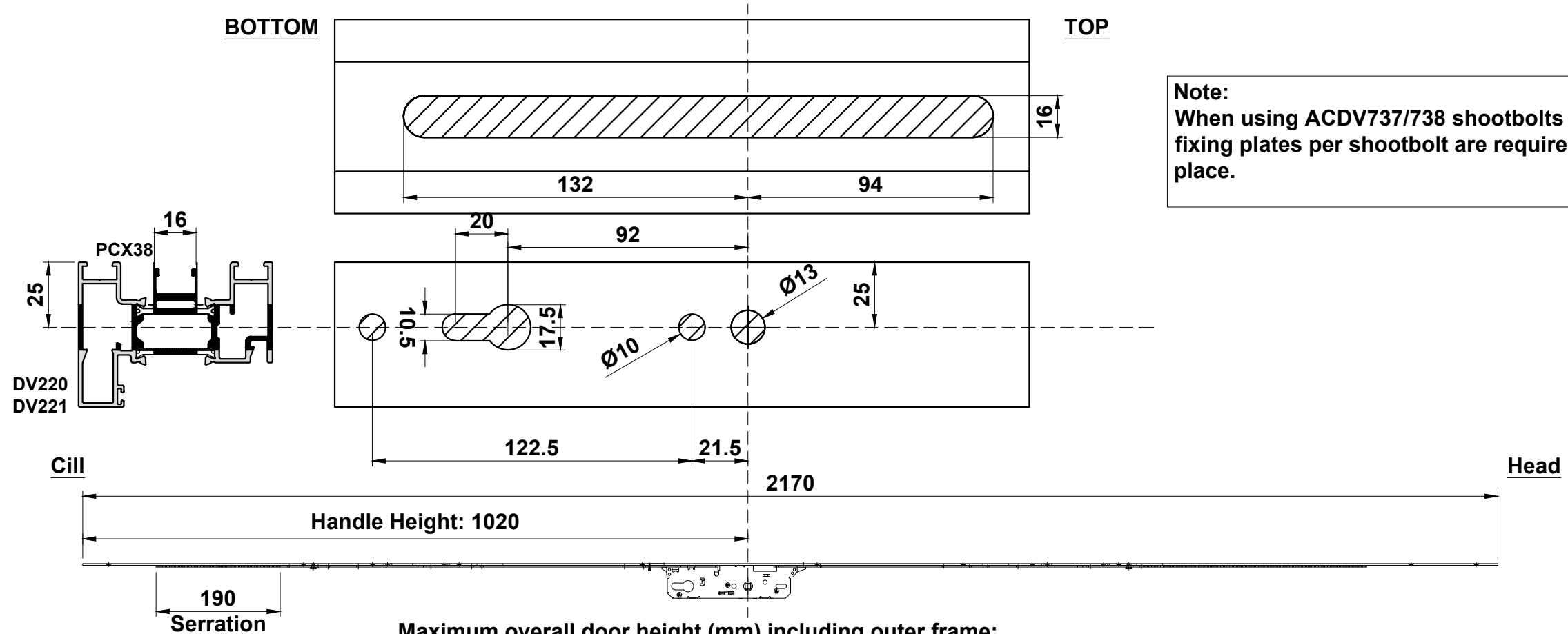
*Maximum sash height is 2500mm. Sizes shown here only indicate sizes with ACDV744.
**Minimum cut off positions are required to fit the shoot bolts.



Note:
Extensions are fitted between the lock and ACDV738 shoot bolt.

Do Not Scale From This Drawing

ACDV745 Secondary Door Lock in DV220 / DV221

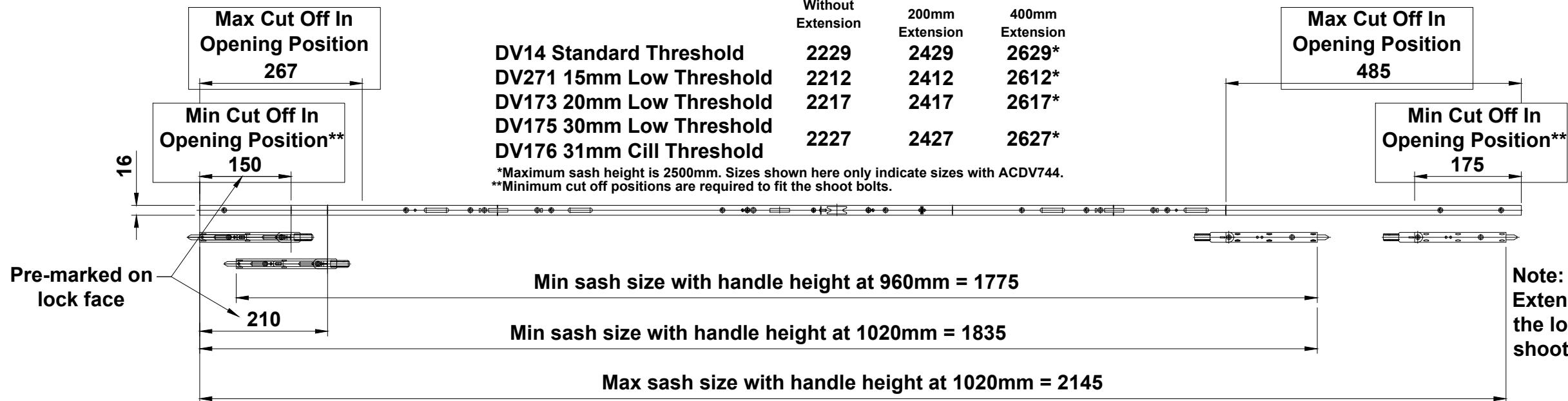


Note:
When using ACDV737/738 shootbolts an additional 2 x fixing plates per shootbolt are required to secure in place.

Maximum overall door height (mm) including outer frame:

	Without Extension	ACDV742 200mm Extension	ACDV744 400mm Extension
DV14 Standard Threshold	2229	2429	2629*
DV271 15mm Low Threshold	2212	2412	2612*
DV173 20mm Low Threshold	2217	2417	2617*
DV175 30mm Low Threshold	2227	2427	2627*
DV176 31mm Cill Threshold	2227	2427	2627*

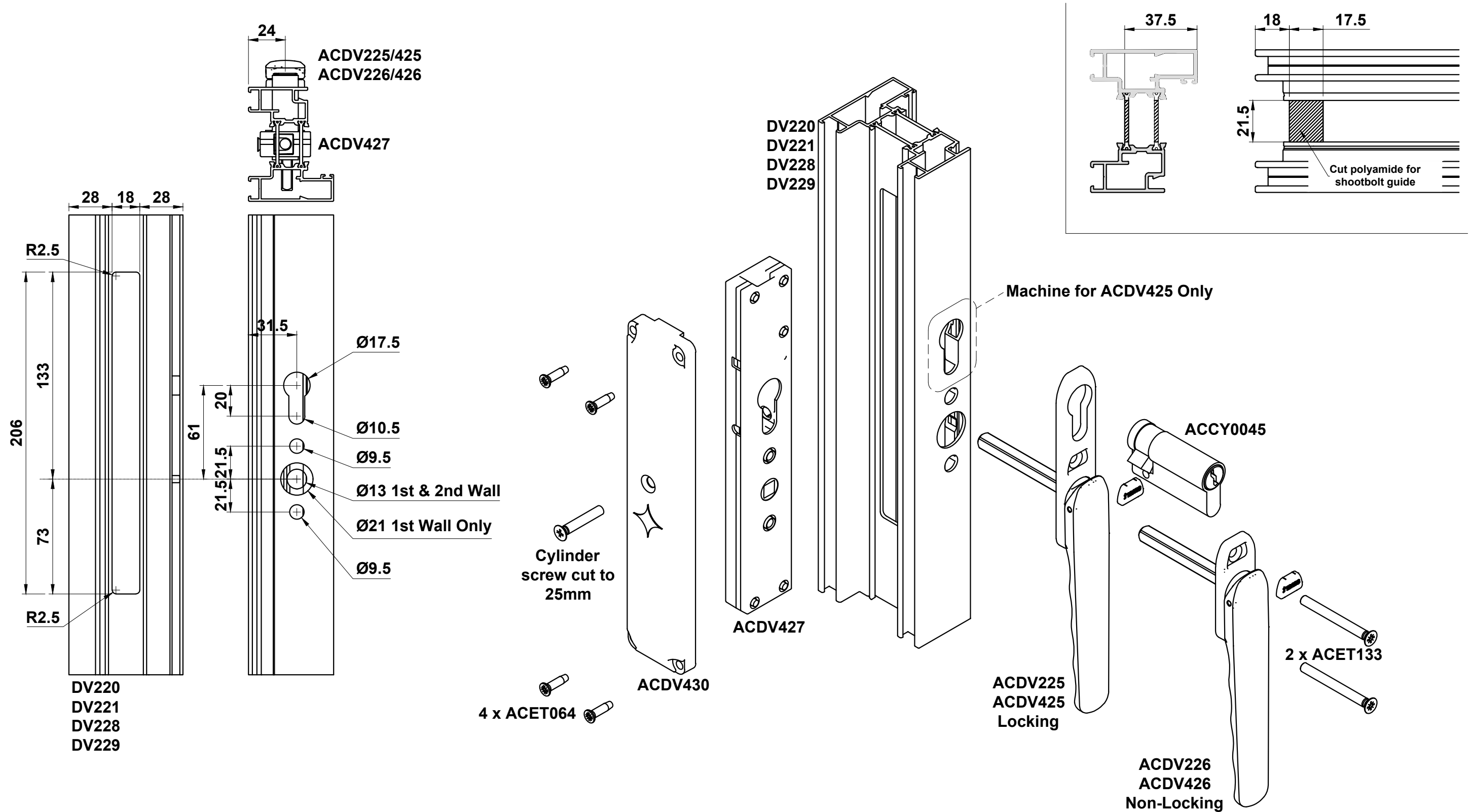
*Maximum sash height is 2500mm. Sizes shown here only indicate sizes with ACDV744.
**Minimum cut off positions are required to fit the shoot bolts.



Note:
Extensions are fitted between the lock and ACDV738 shoot bolt.

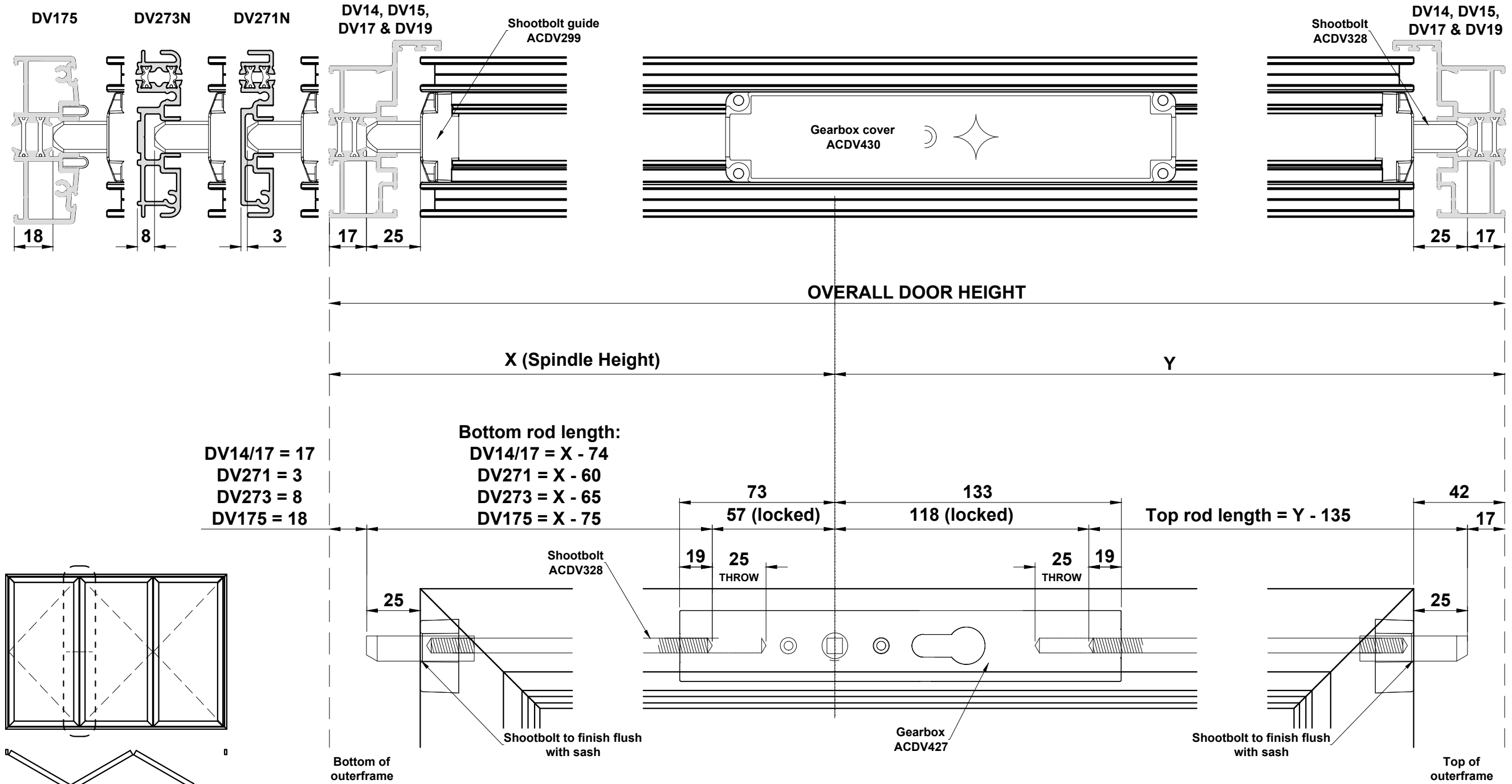
Do Not Scale From This Drawing

ACDV425 Gear Box Details



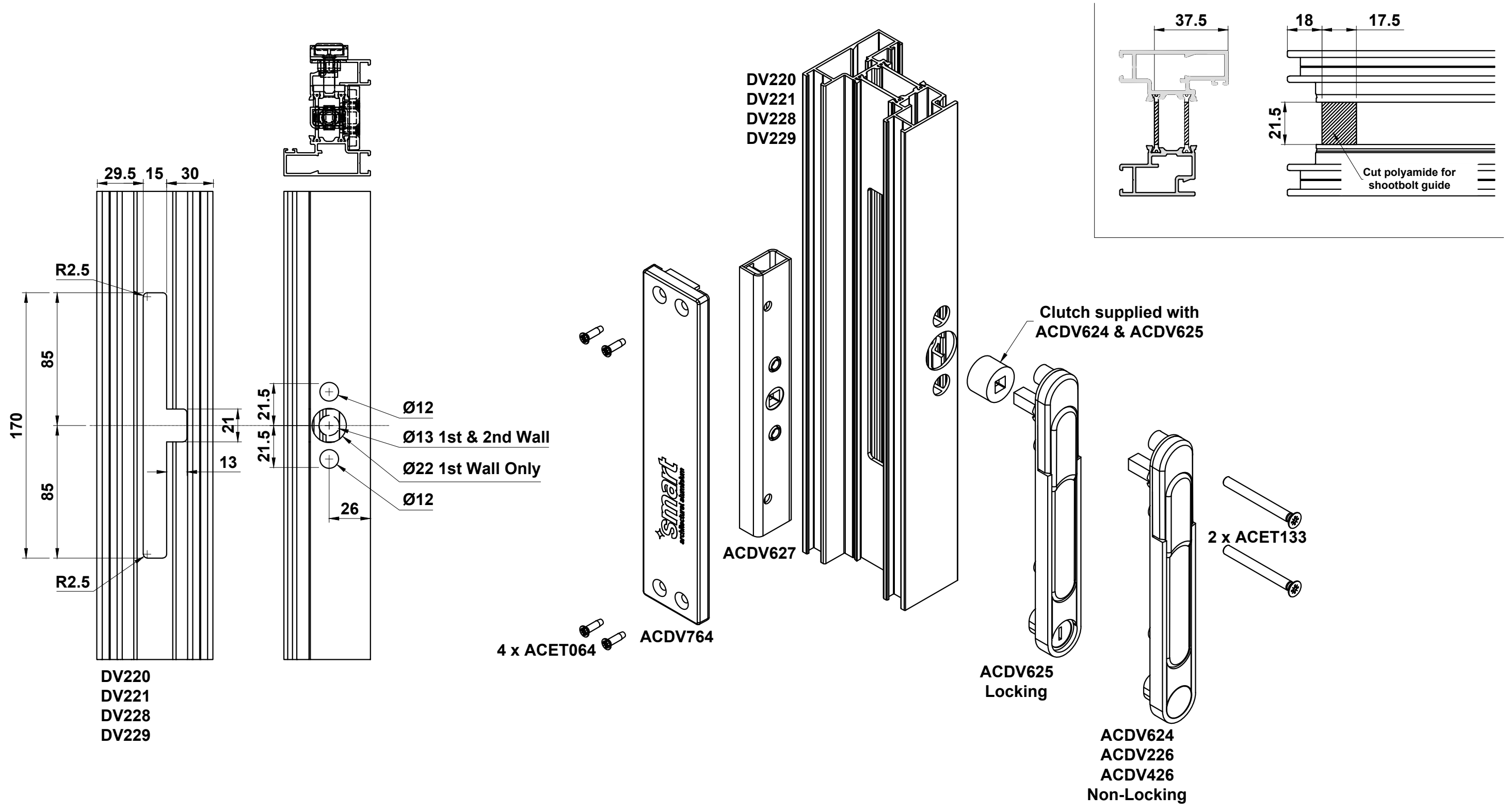
Do Not Scale From This Drawing

ACDV425 Gear Box Details



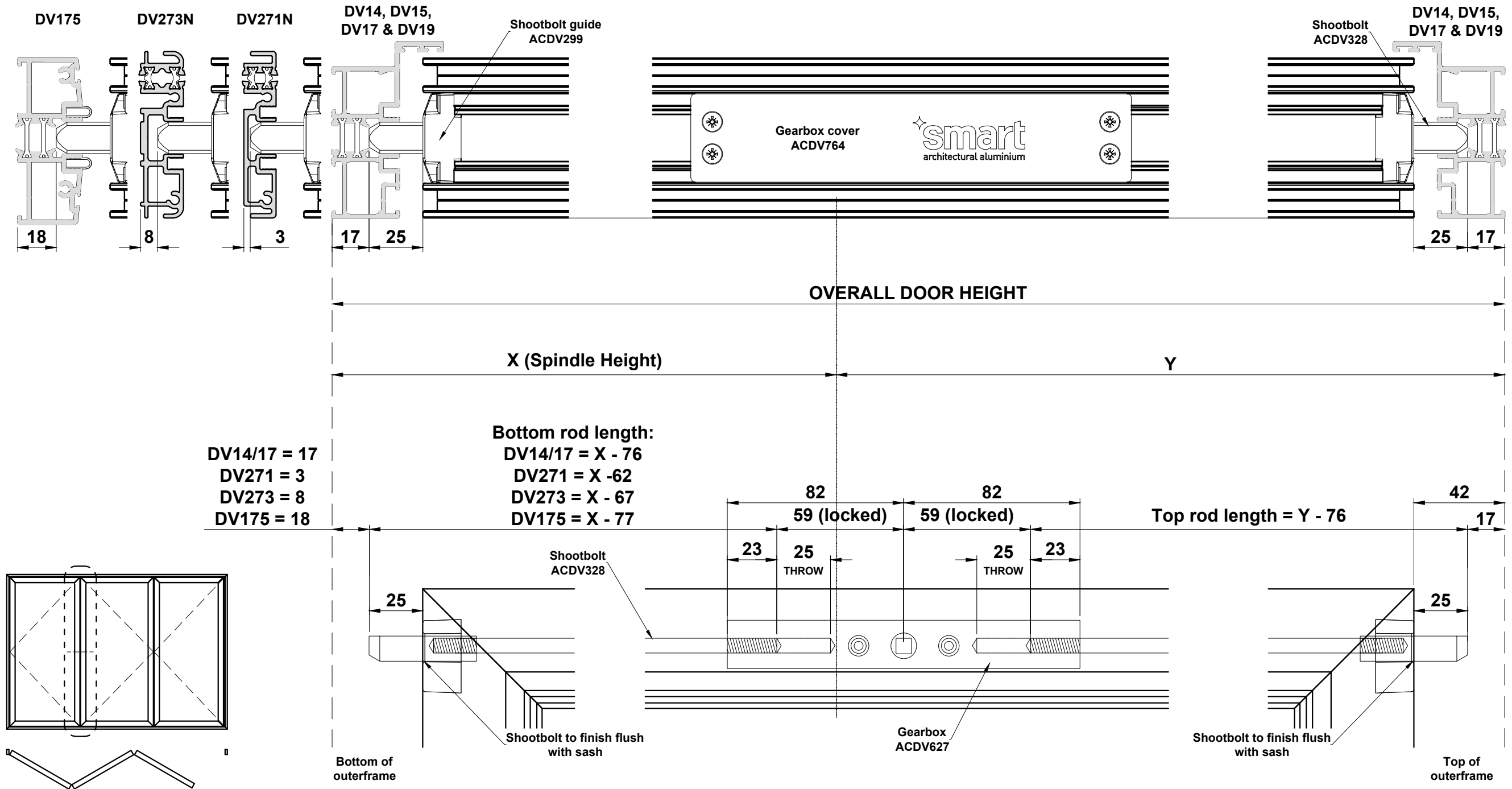
Do Not Scale From This Drawing

ACDV627 Gear Box Details



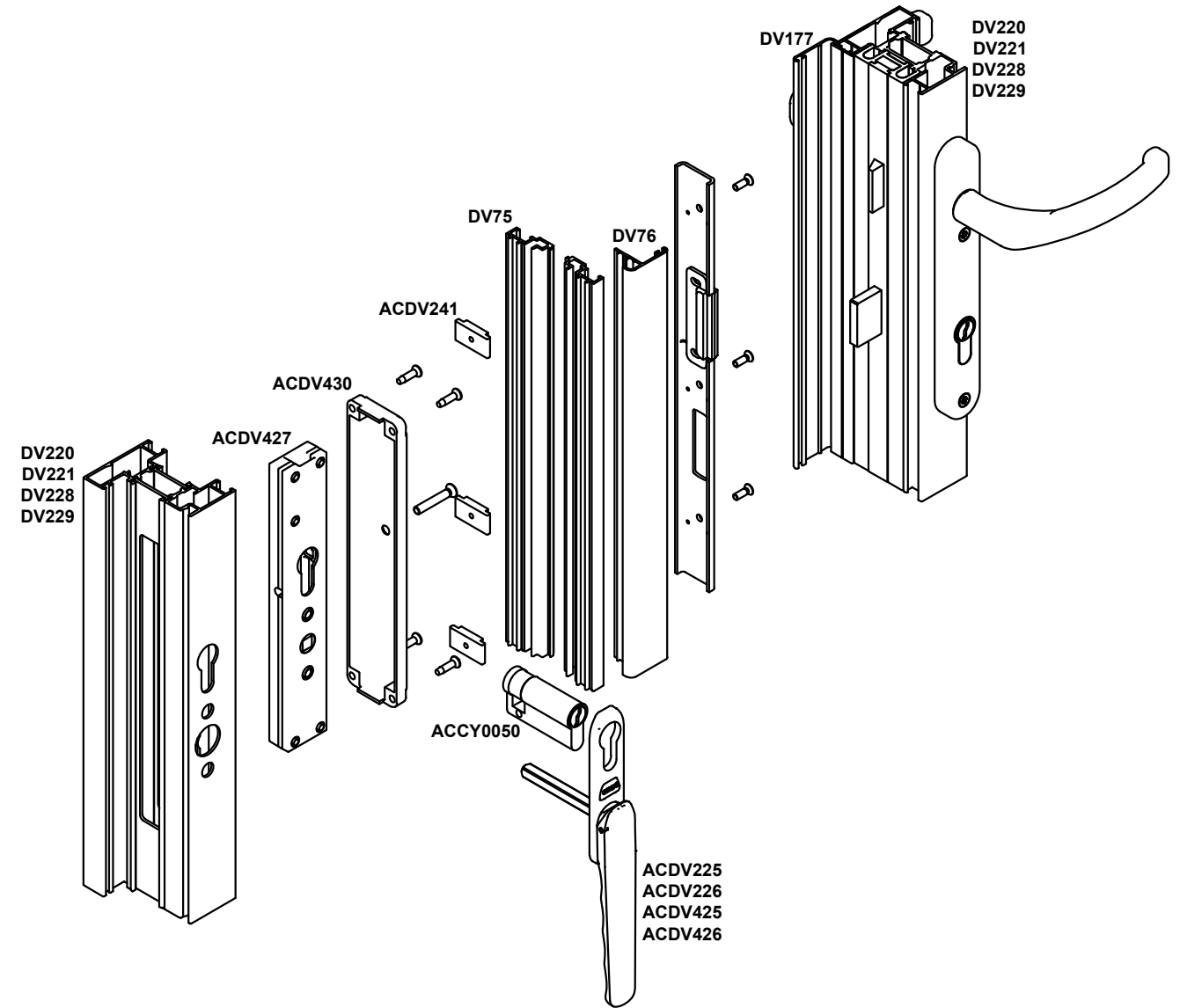
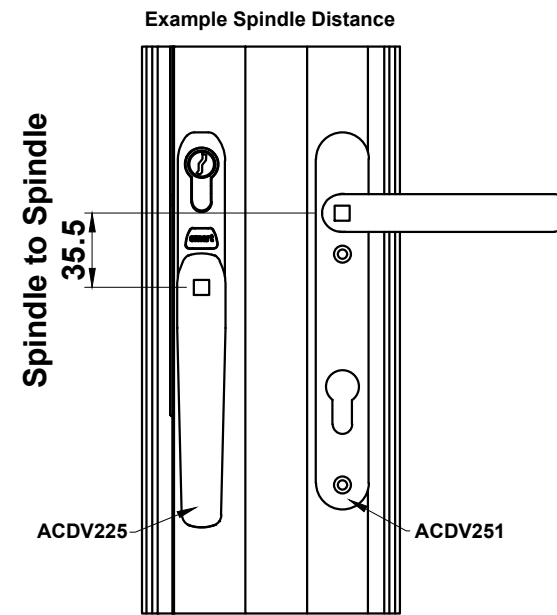
Do Not Scale From This Drawing

ACDV627 Gear Box Details

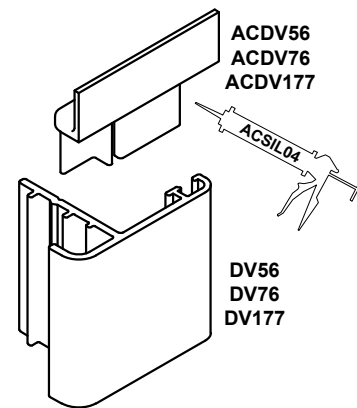
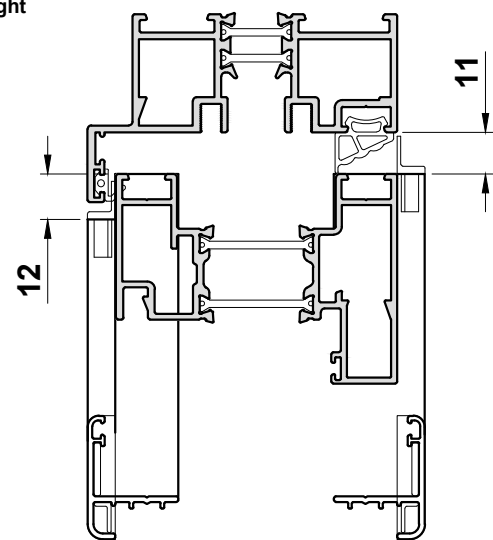
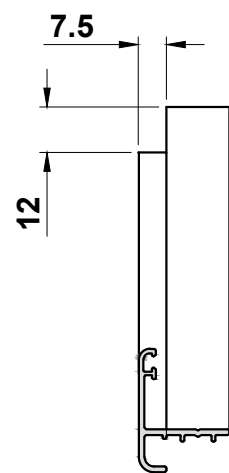


Do Not Scale From This Drawing

Primary Sash Lock & Secondary Sash Keep Preparation

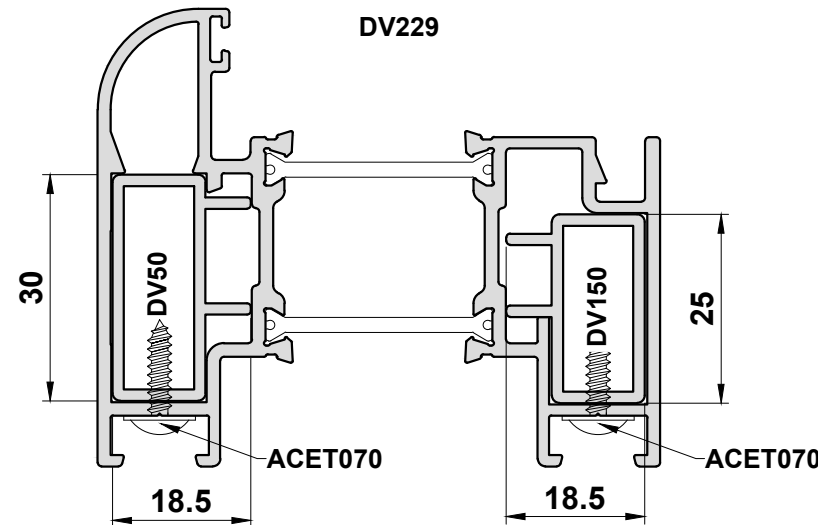
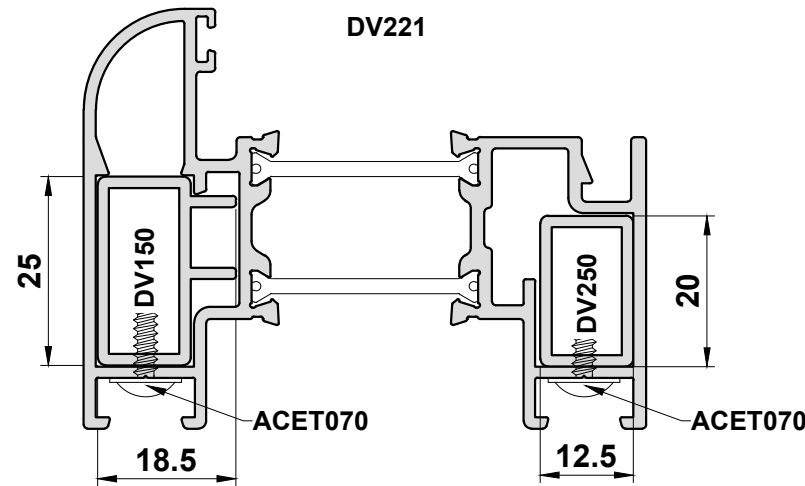
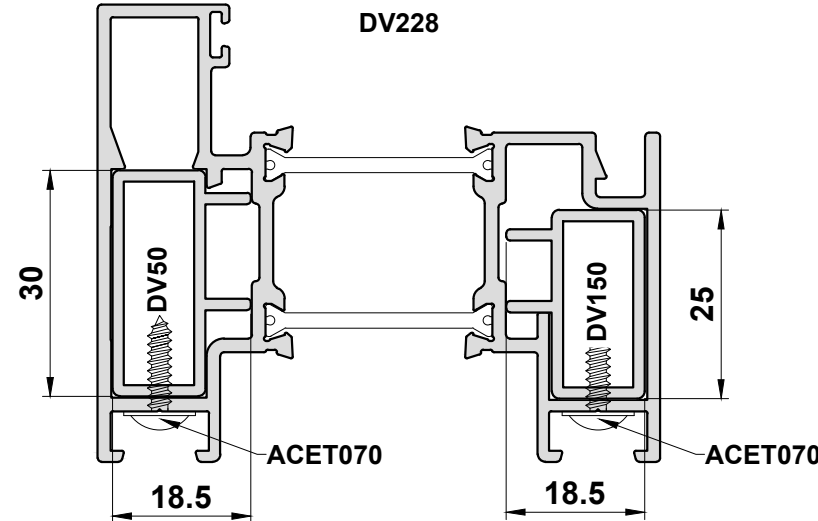
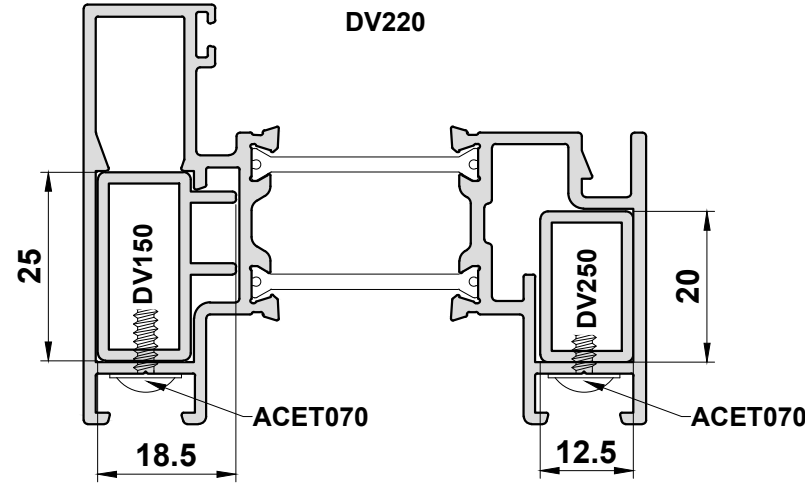


DV56, DV76 & DV177 are cut to sash height and notched where closing against a rebate as shown.



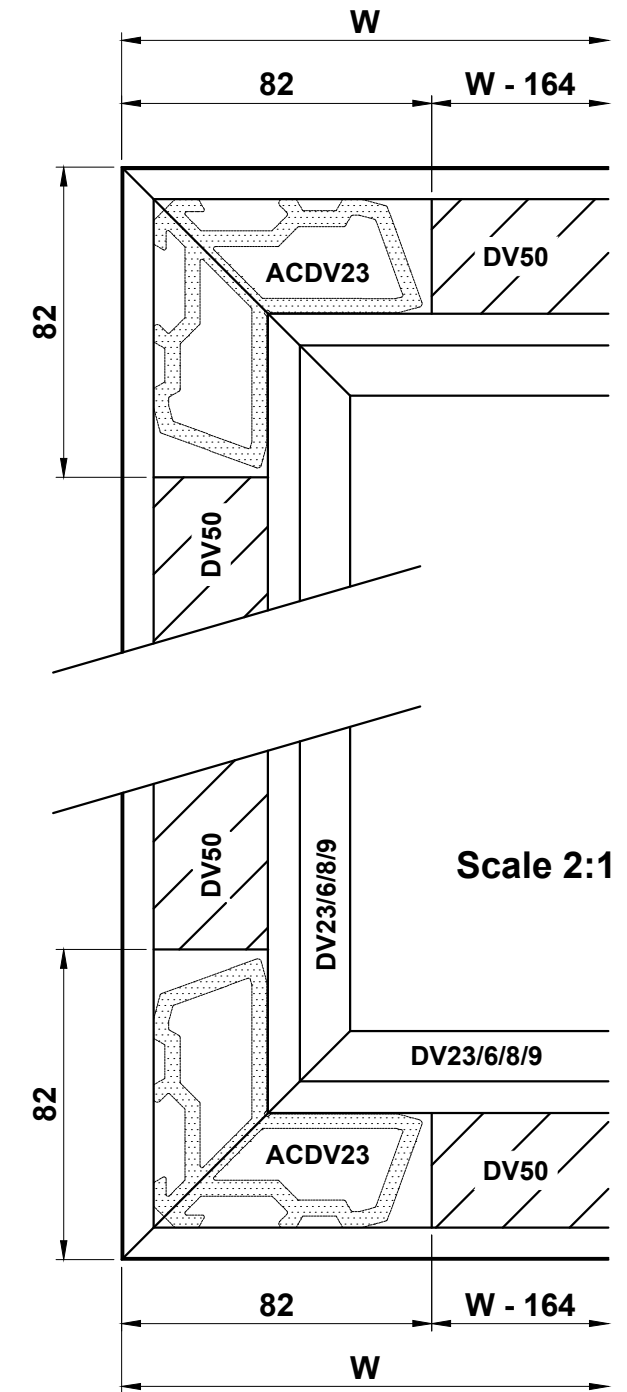
Do Not Scale From This Drawing

Sash Reinforcement



For Sash Ix and Iy values which include DV50, DV150 & DV250, please refer to Section D.

ACET070 Fixed 100mm from each end & at 500mm centres



Scale 2:1

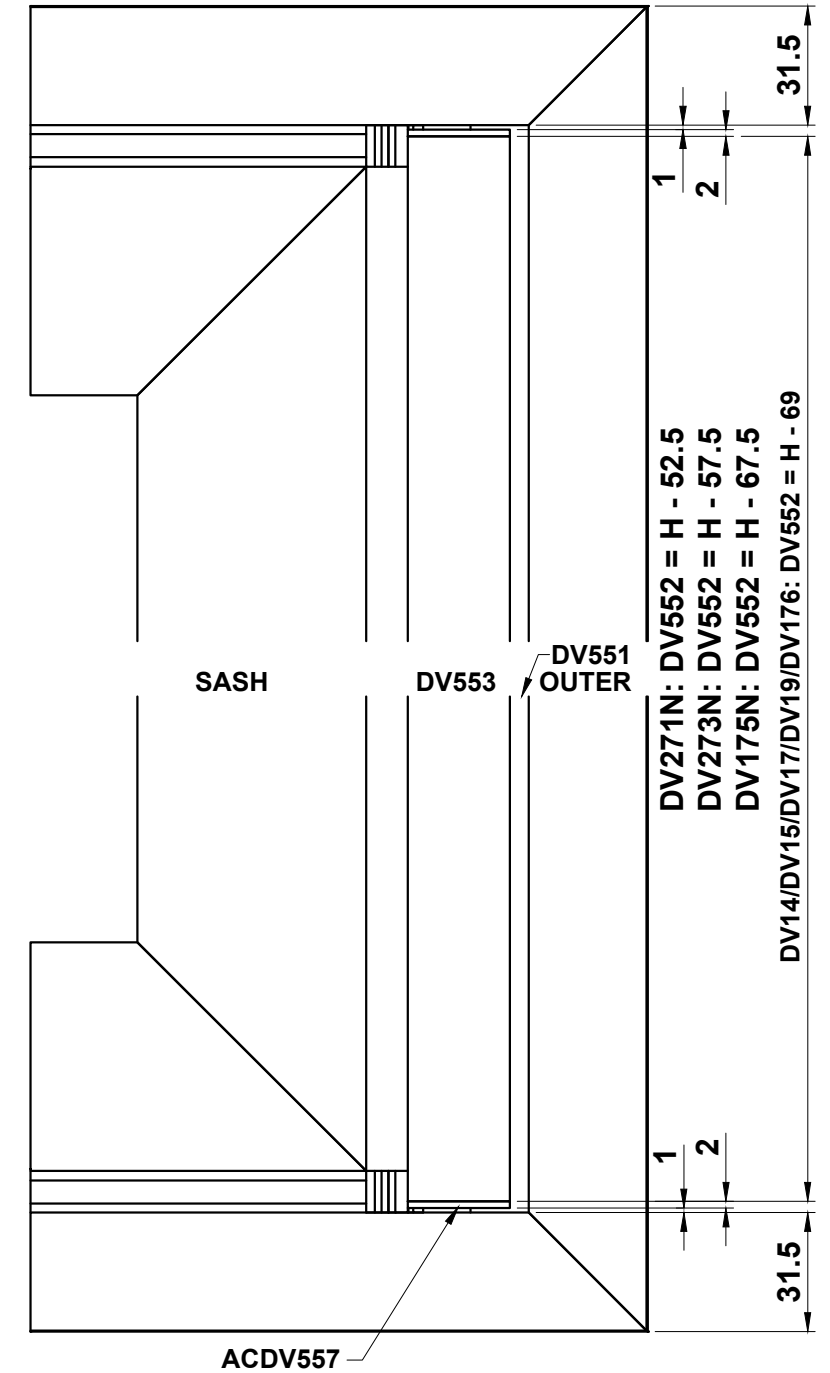
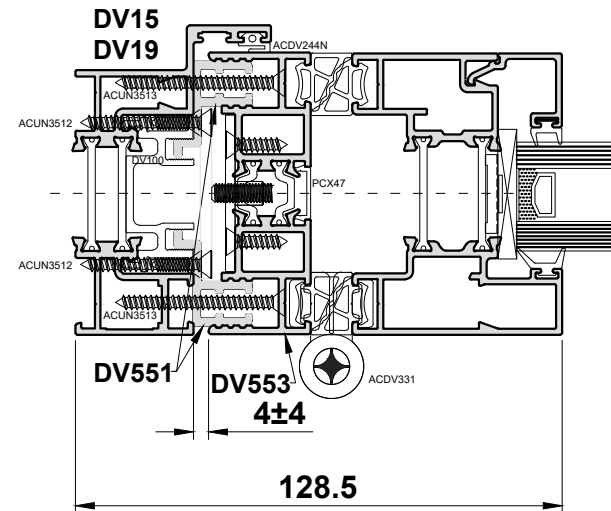
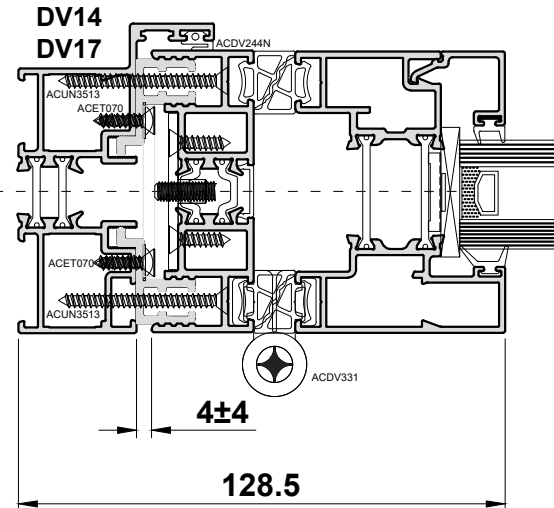
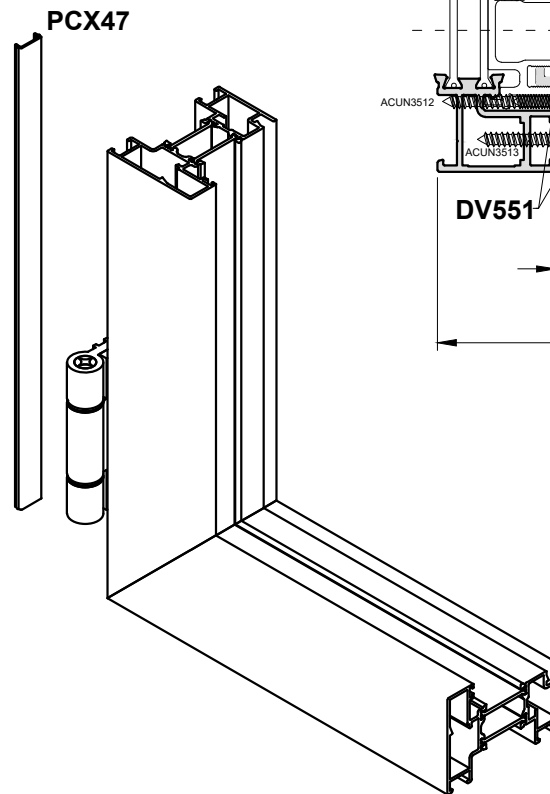
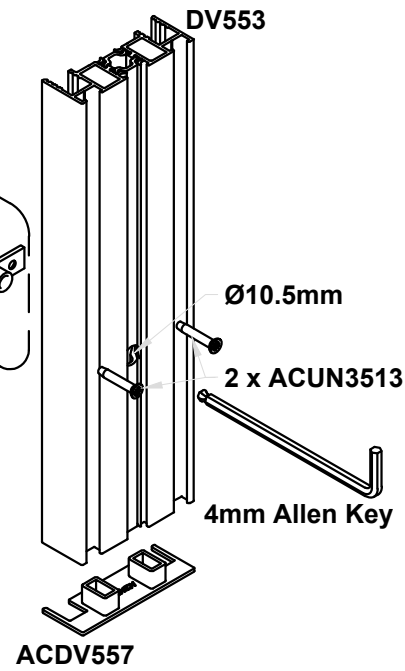
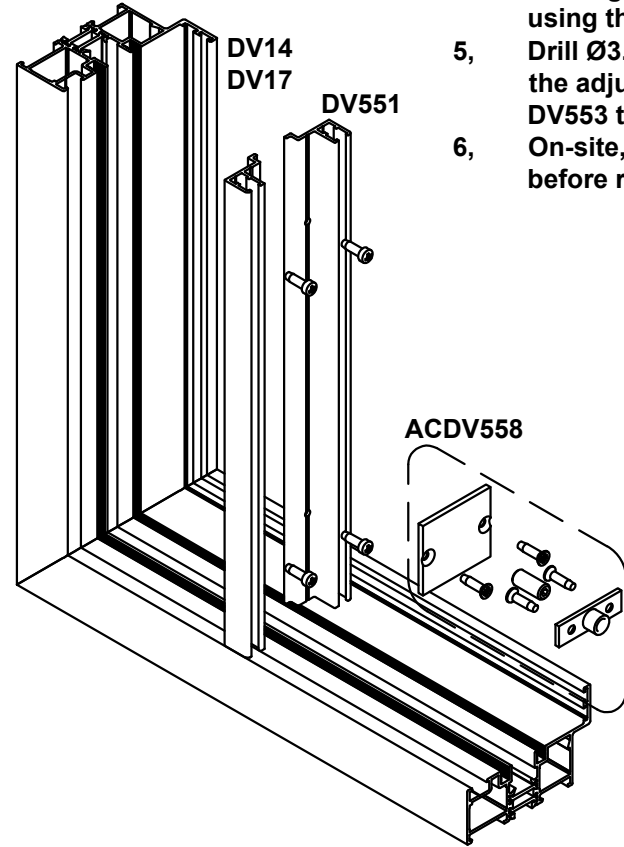
$DV50 / DV150 \text{ Length} = (H \text{ or } W) - 164\text{mm}$

Do Not Scale From This Drawing

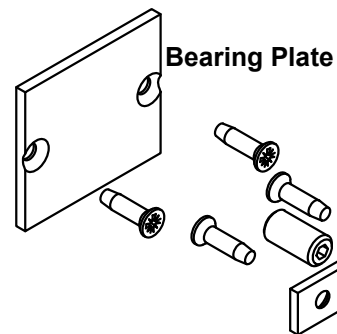
Adjustable Jamb

Assembly Steps:

- 1, Fix both DV551's to the jamb using ACET070 screws at a max. of 100mm from each end and 500mm centres
- 2, Mark & drill DV551 & DV553 for the ACDV558 fixings. 100mm from head & cill, and one to centre
- 3, Secure the bearing plate to both DV551's using the screws supplied
- 4, Drill a Ø10.5mm through the DV553 polyamide in line with the bearing plate and secure the adjustment bracket to both sides using the screws supplied
- 5, Drill Ø3.5mm holes in the DV553 gasket channels to both sides of the adjustment bracket and through DV551. Open the holes in DV553 to Ø5mm, countersink and secure with ACUN3513.
- 6, On-site, loosen the ACUN3513 dead fixing, adjust as required before re-tightening all dead fixings.



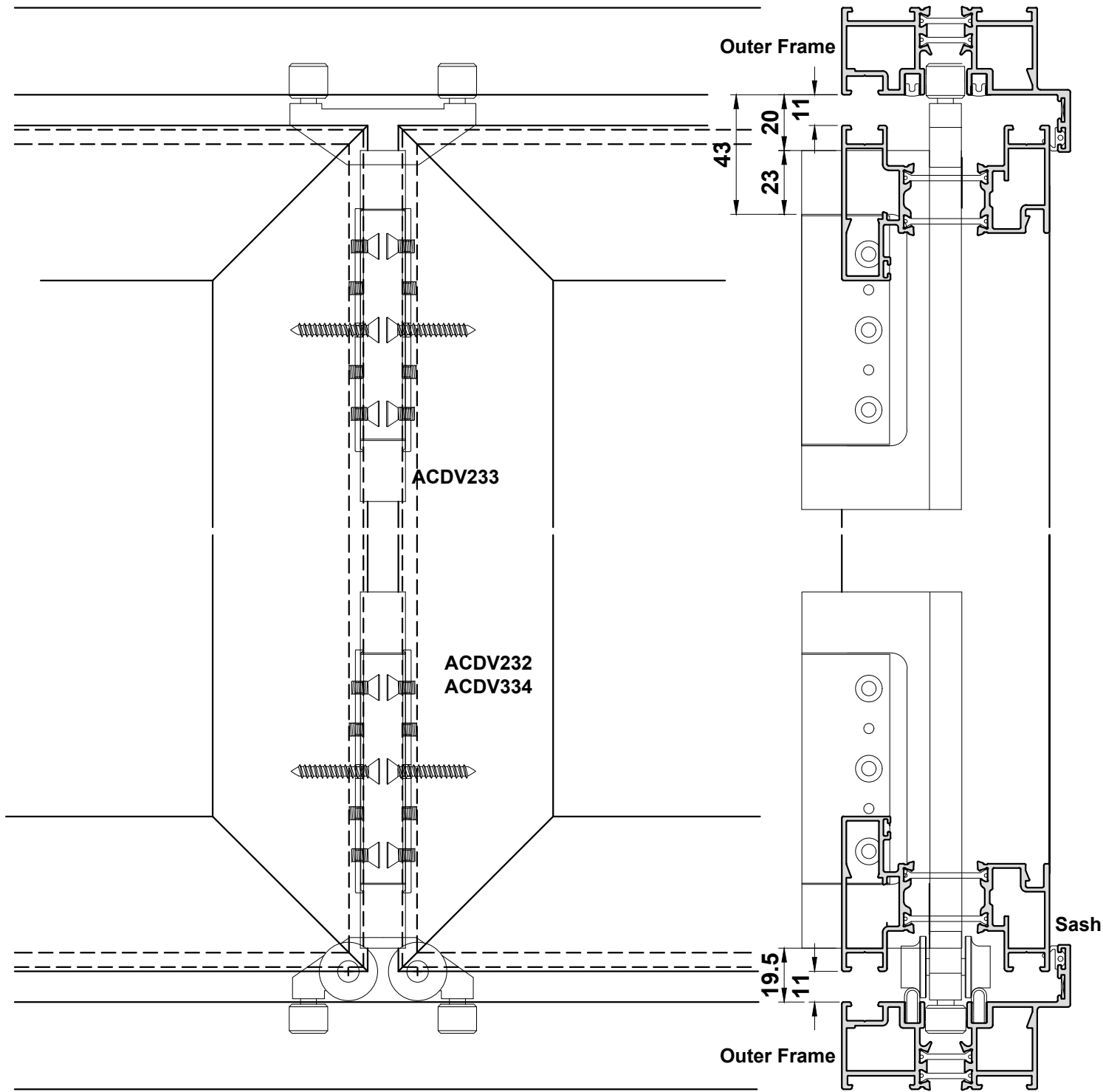
ACDV558



Bearing Plate

Adjustment Bracket

Do Not Scale From This Drawing

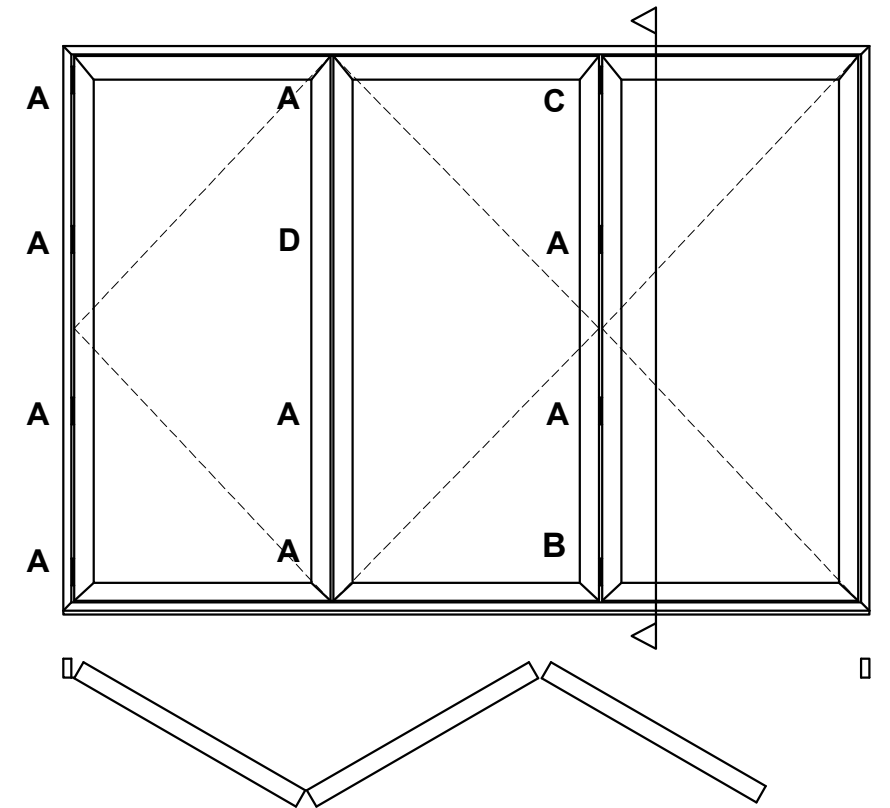
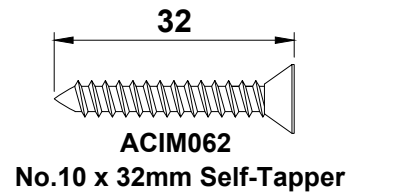


Typical Hinge Layout:

- A = ACDV331 Intermediate Hinge
- B = ACDV232 or ACDV334 Bottom Roller Carrier
- C = ACDV233
- D = ACDV234 'D' Handle Hinge

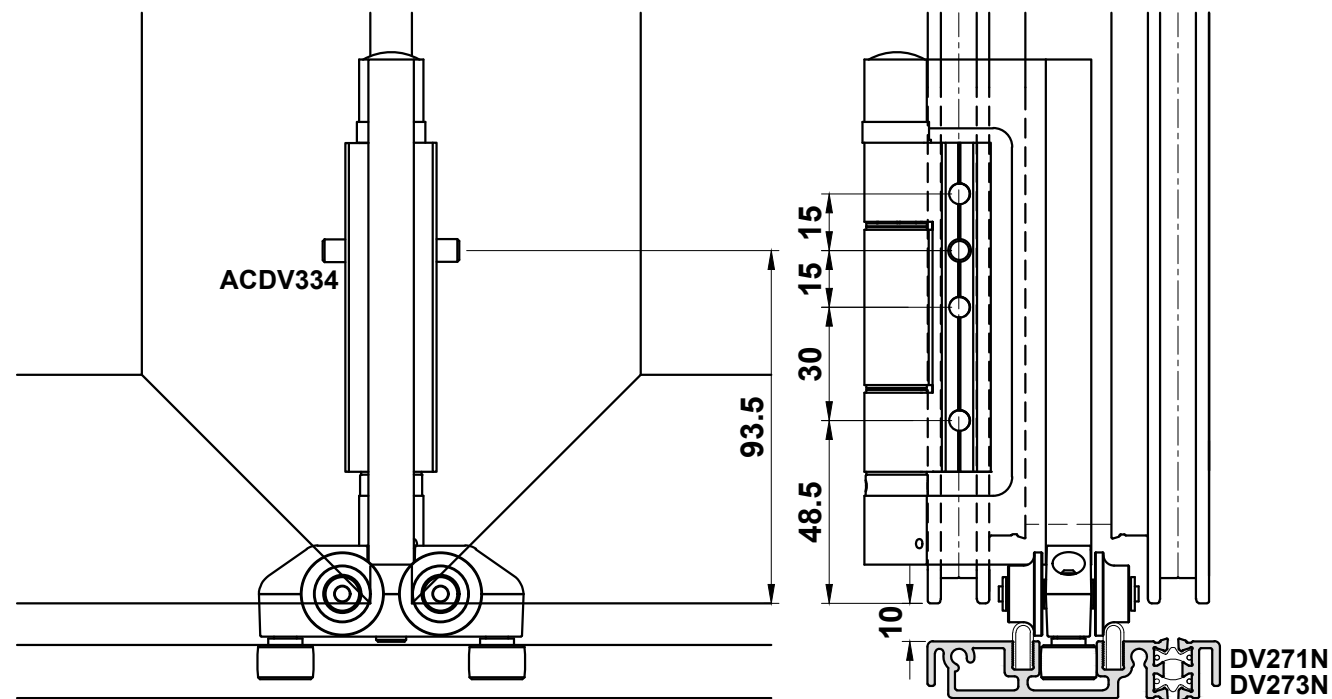
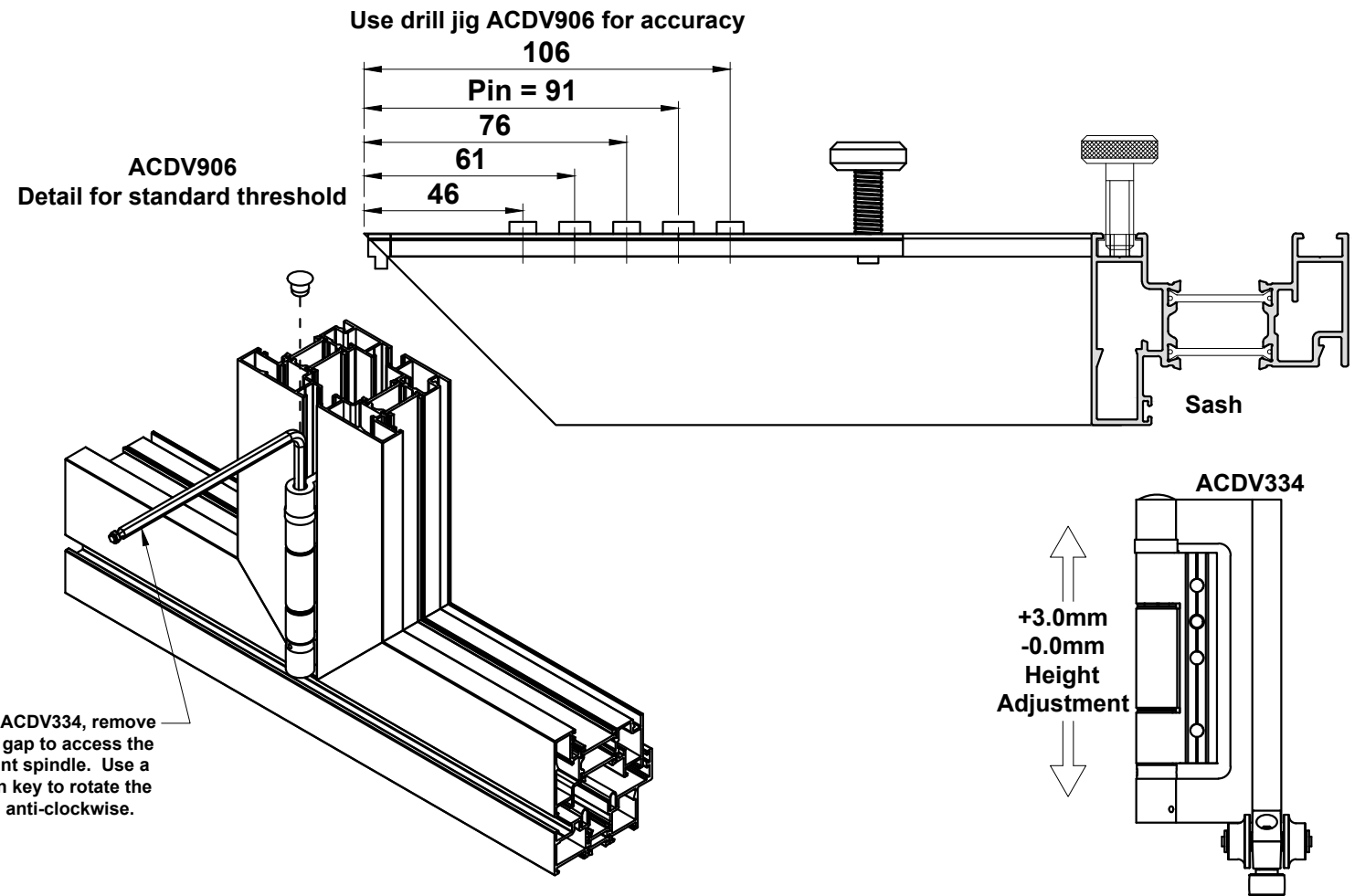
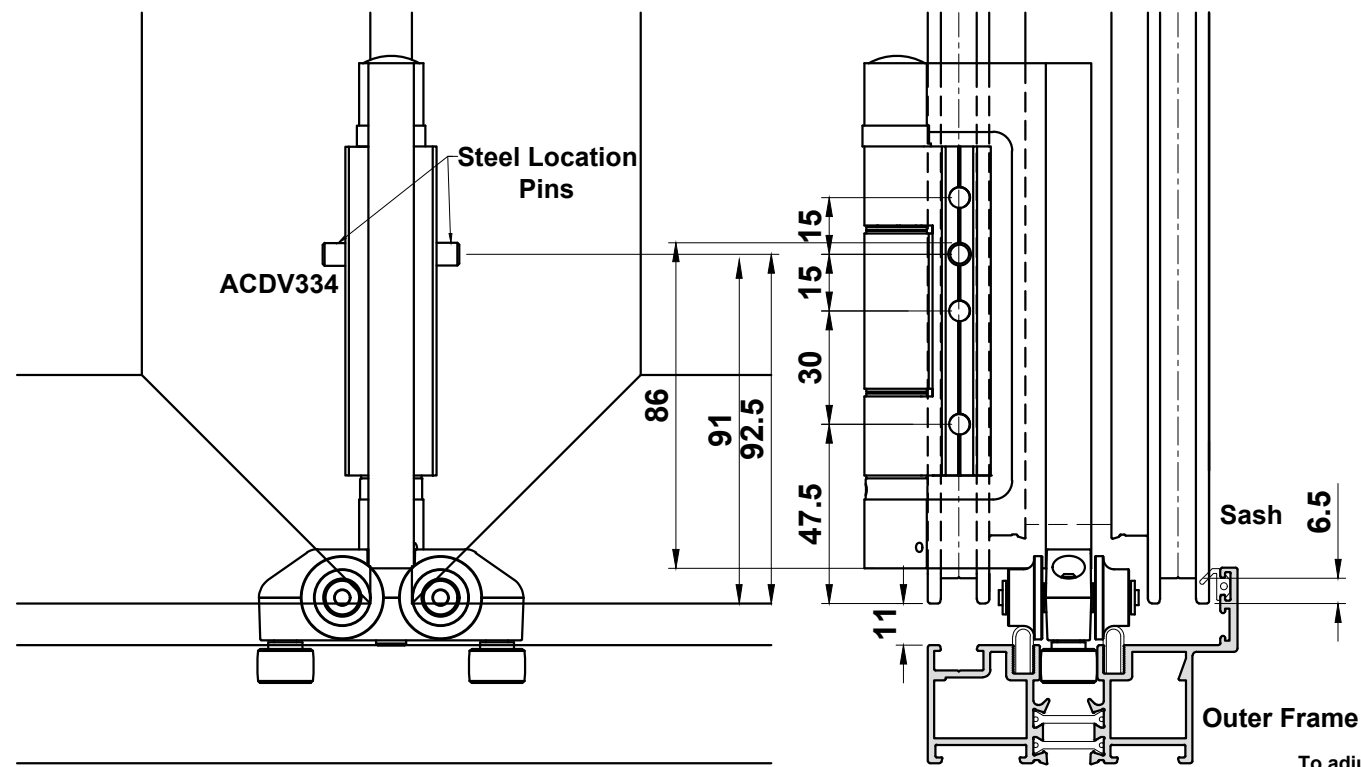
Note:

Once hinges are set into position, secure centre hole with ACIM062 screw for permanent fixing.



Do Not Scale From This Drawing

ACDV334 Hinge Location Details



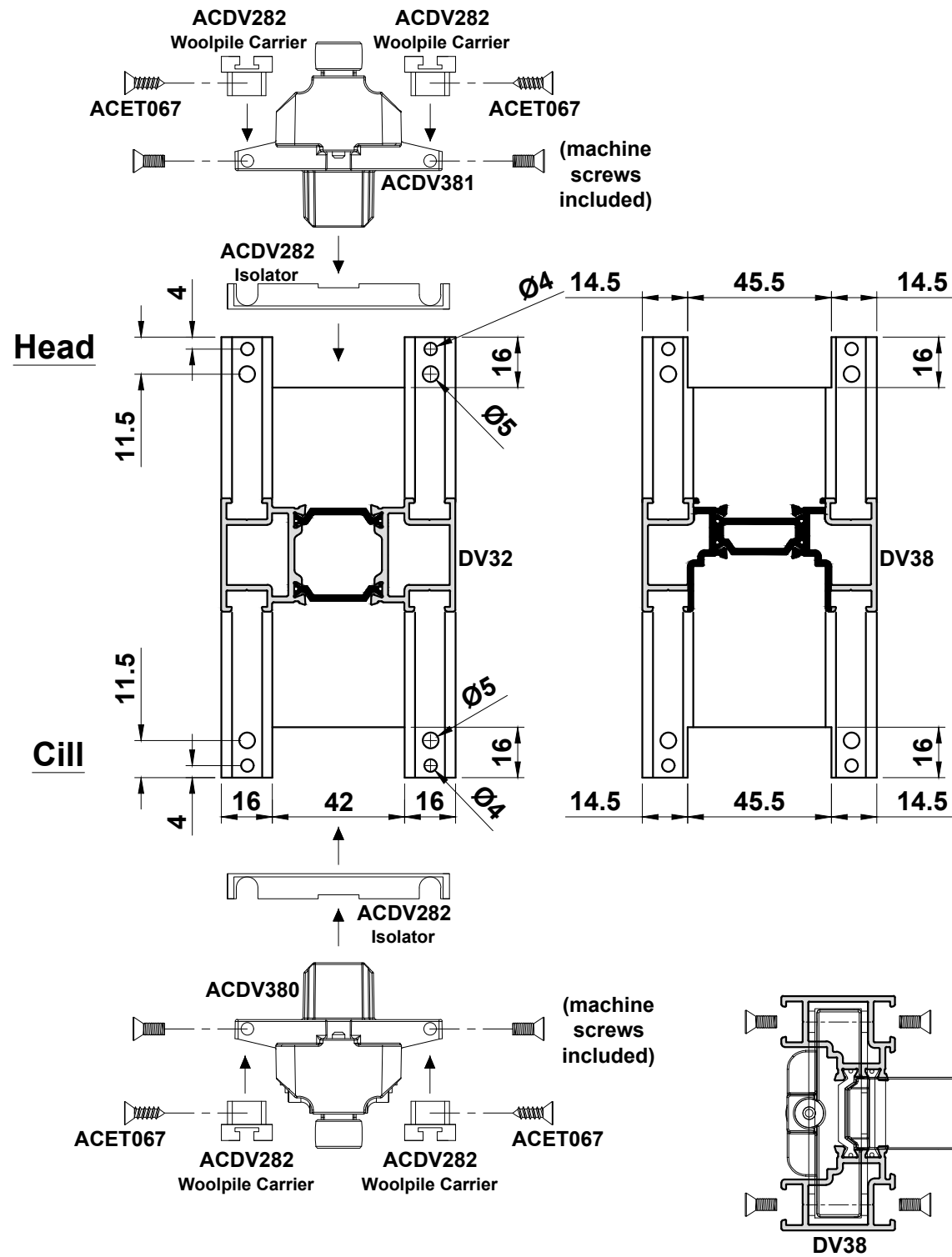
To adjust ACDV334, remove the cover gap to access the adjustment spindle. Use a 5mm allen key to rotate the spindle anti-clockwise.

Rotate stop for low threshold

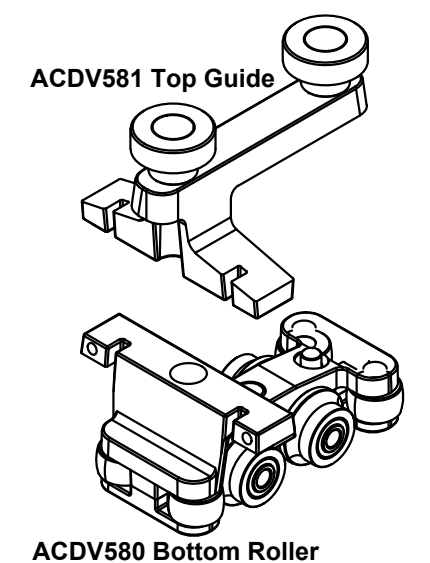
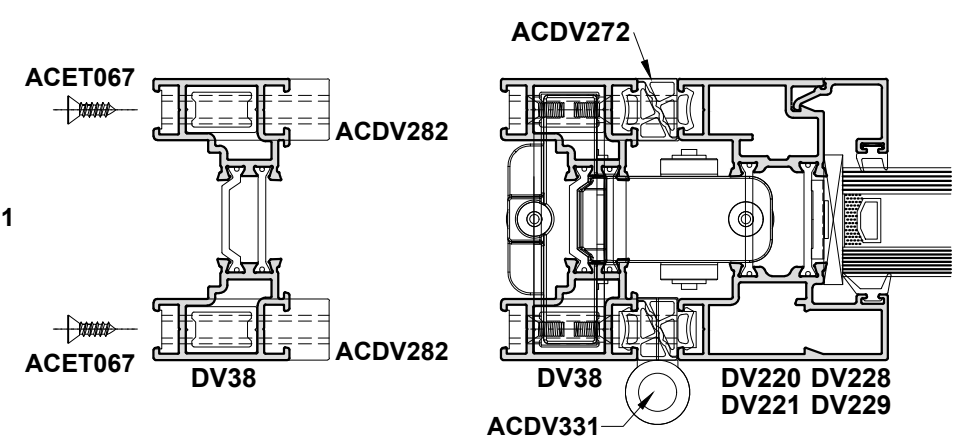
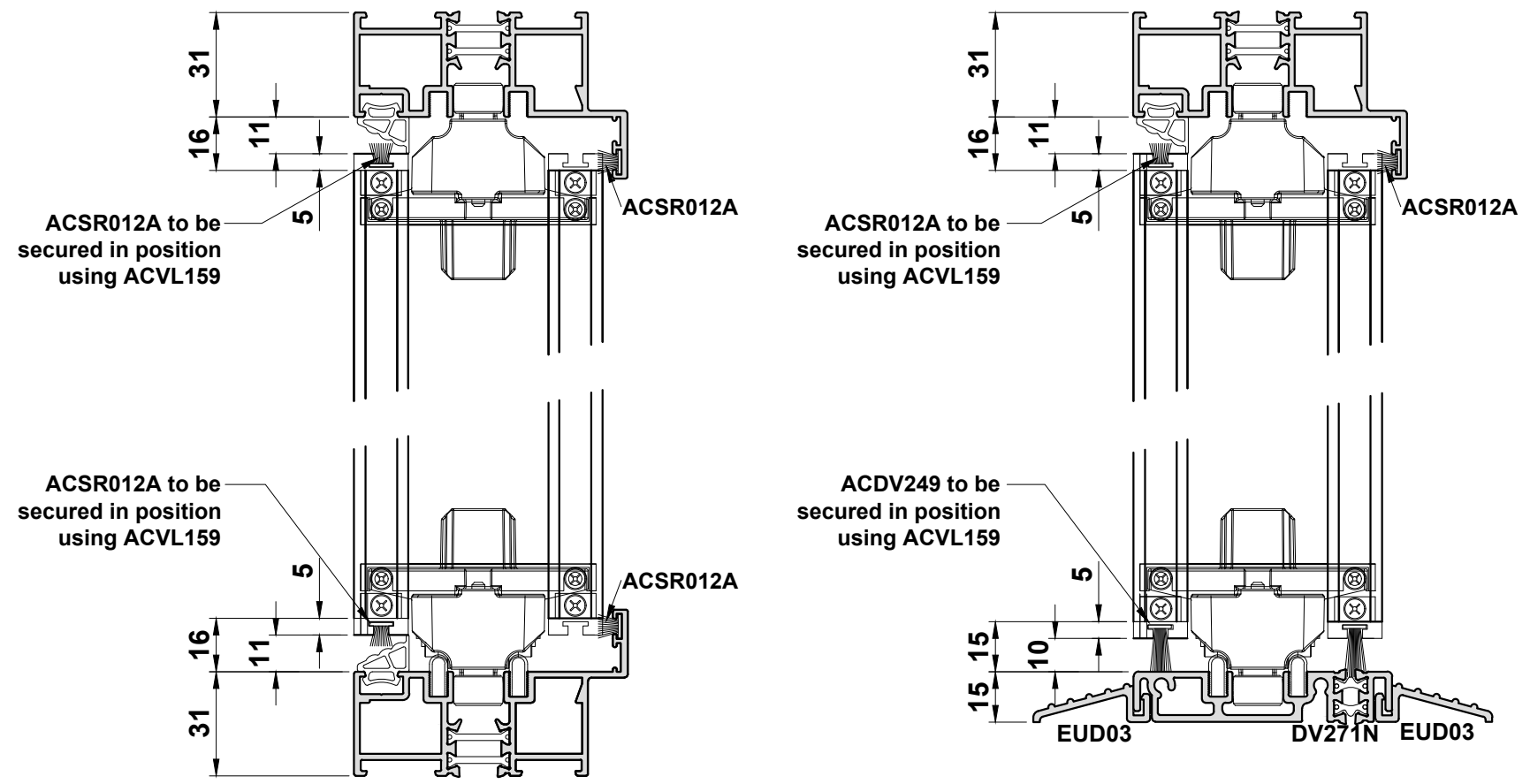
Do Not Scale From This Drawing

DV32/DV38 Preparation

Mullion Preparation for Standard & Low Threshold

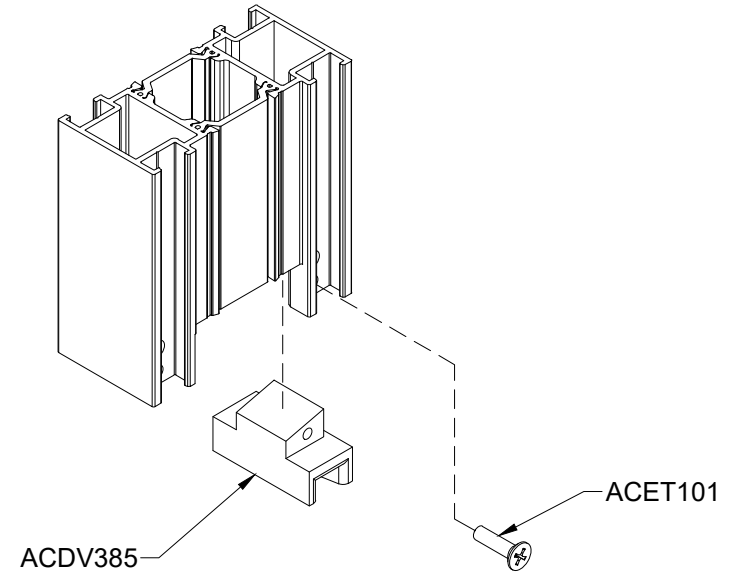


NOTE:
Where DV32 is used, ACSR012A should replace ACDV244N



Do Not Scale From This Drawing

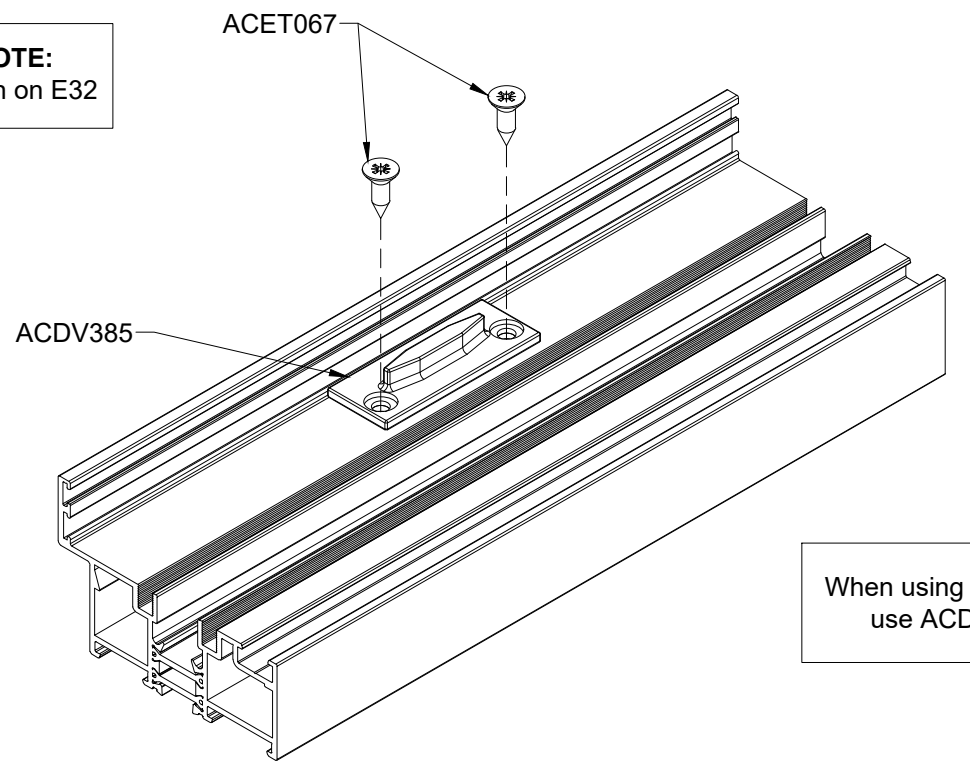
ACDV385 Guide



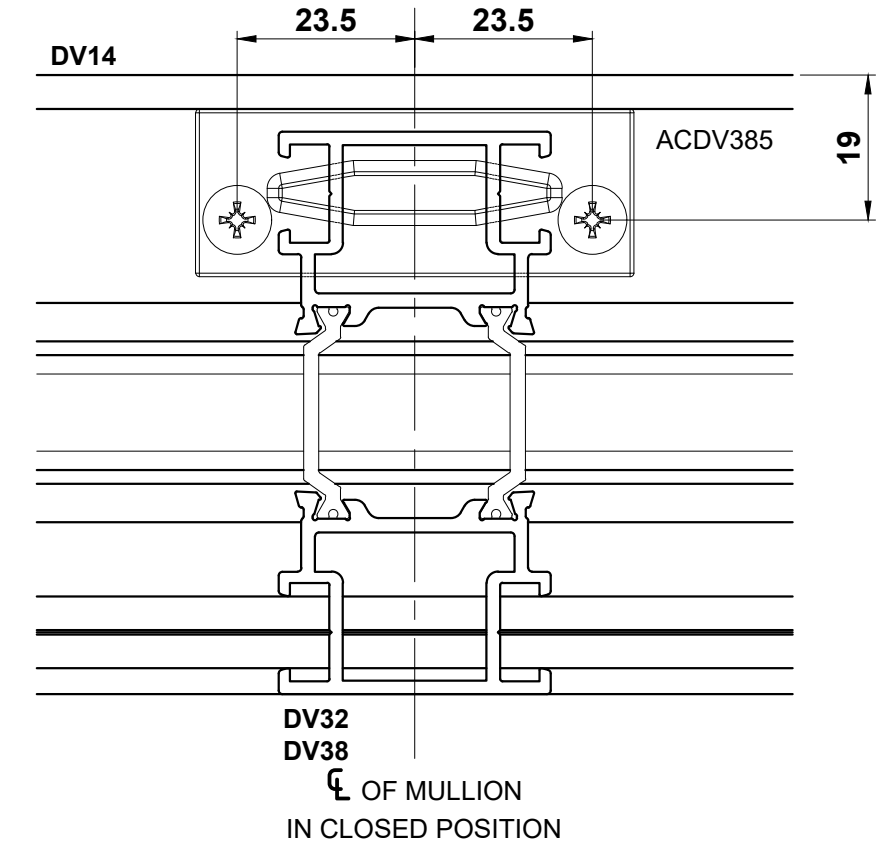
ACDV385 is only required when using DV32/DV38 floating mullion and used to prevent twisting out of outerframe.

IMPORTANT FABRICATION NOTE:
Consider pre-drilling outerframe when ACDV385 guide in threshold / jamb corner

IMPORTANT FABRICATION NOTE:
Use existing prep for DV32 as shown on E32

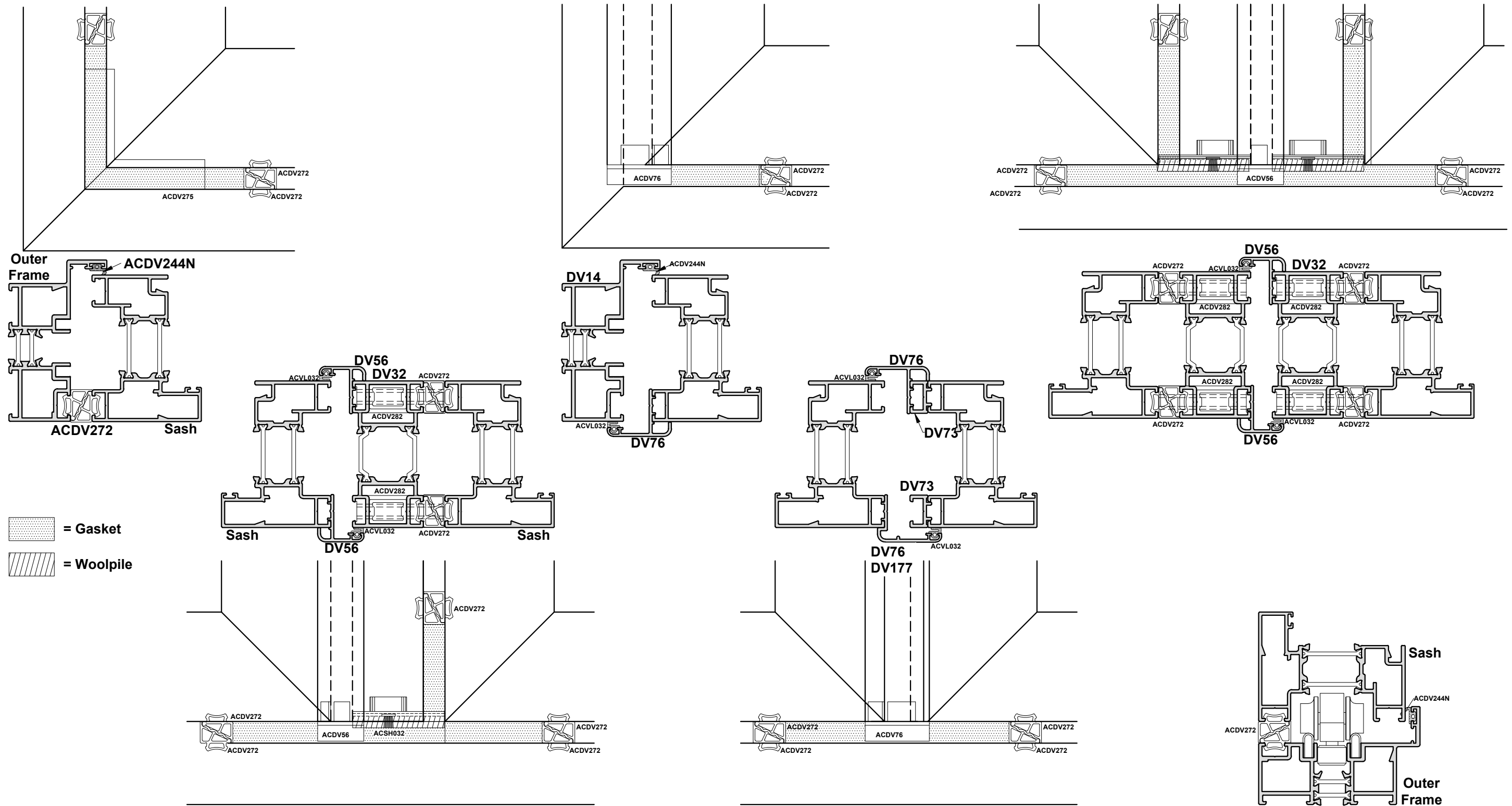


When using low threshold, only use ACDV385 at Head.



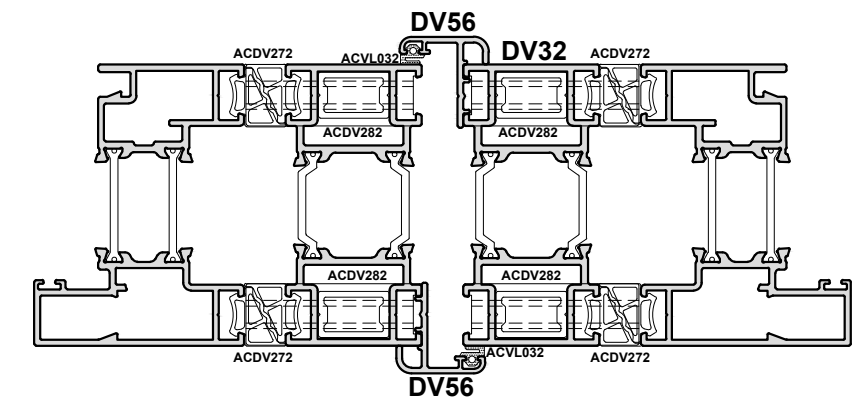
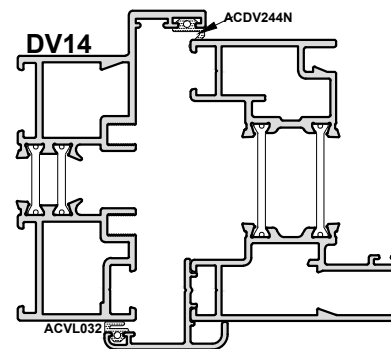
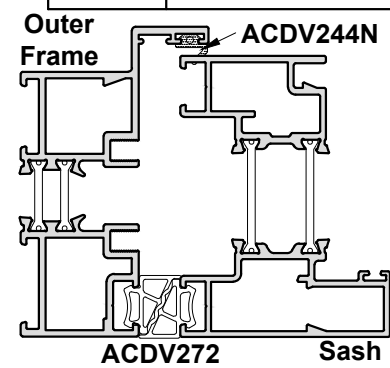
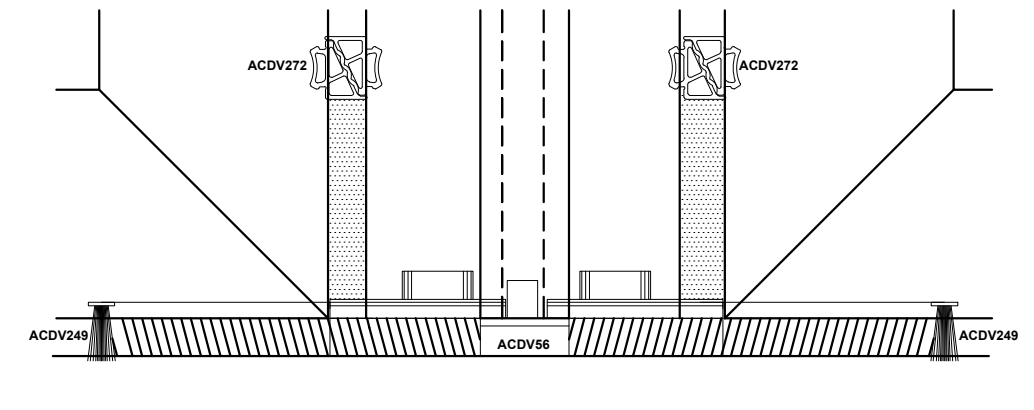
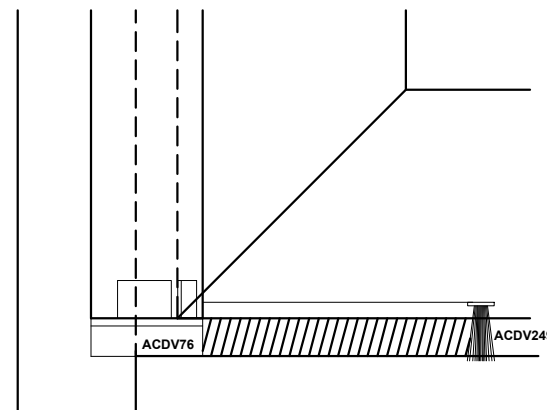
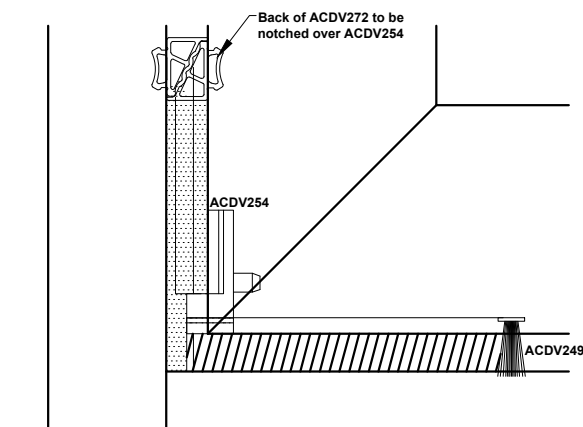
Do Not Scale From This Drawing

Typical Sealing Details Against DV14

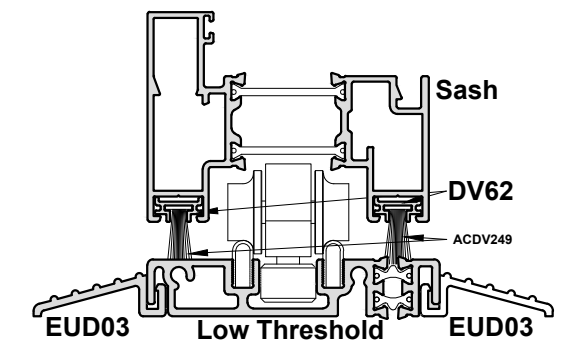
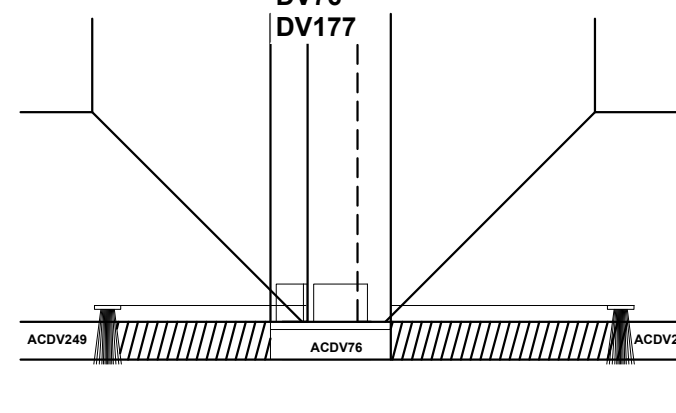
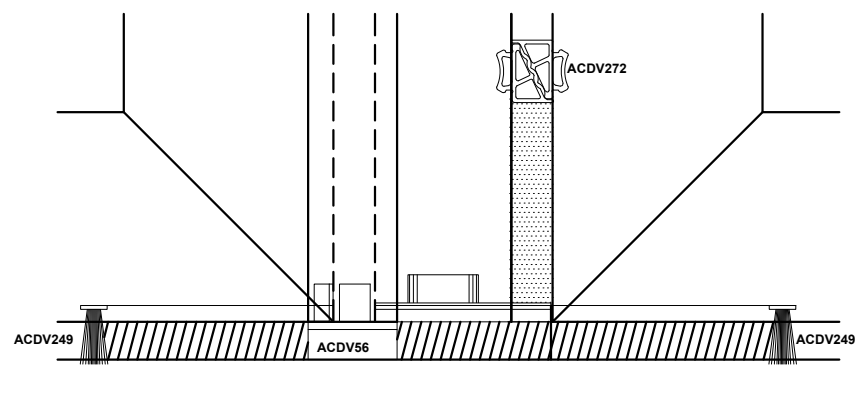
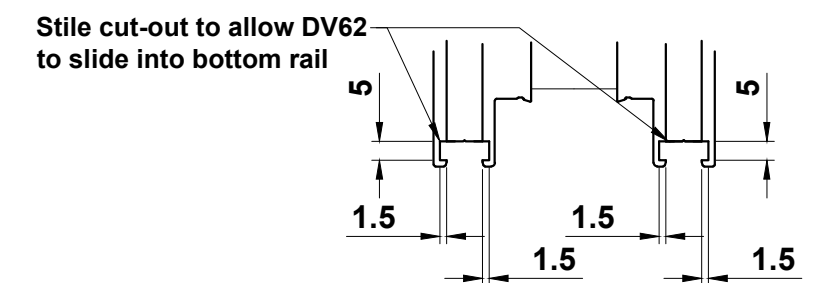
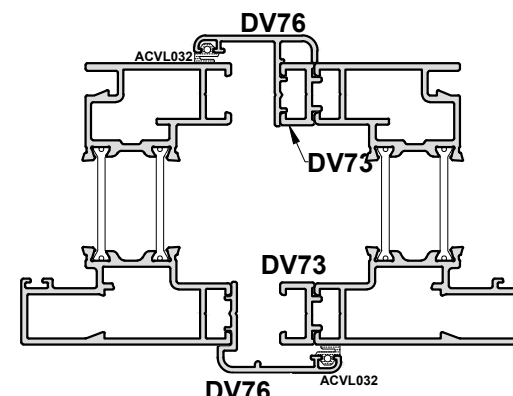
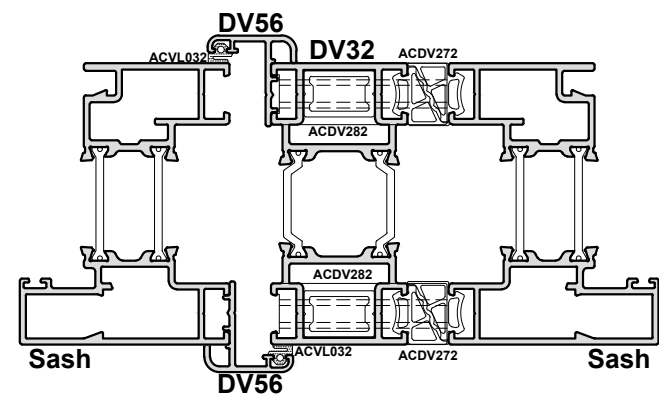


Do Not Scale From This Drawing

Typical Sealing Details Against DV271N/273N/175



= Gasket
 = Woolpile

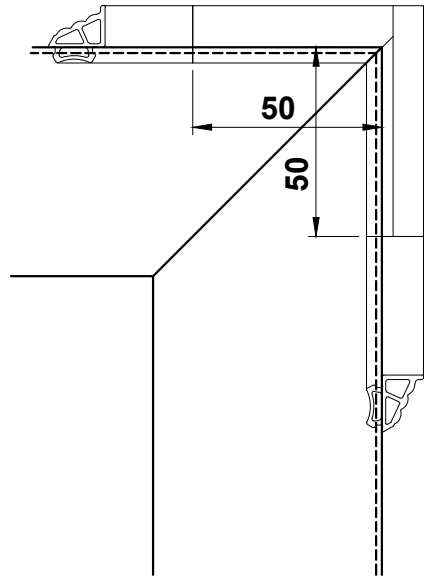


Do Not Scale From This Drawing

Gasket Details

Vent Gasket Detail Where Closing Against DV14

Cut ACDV272 between ACDV275 corner moulds



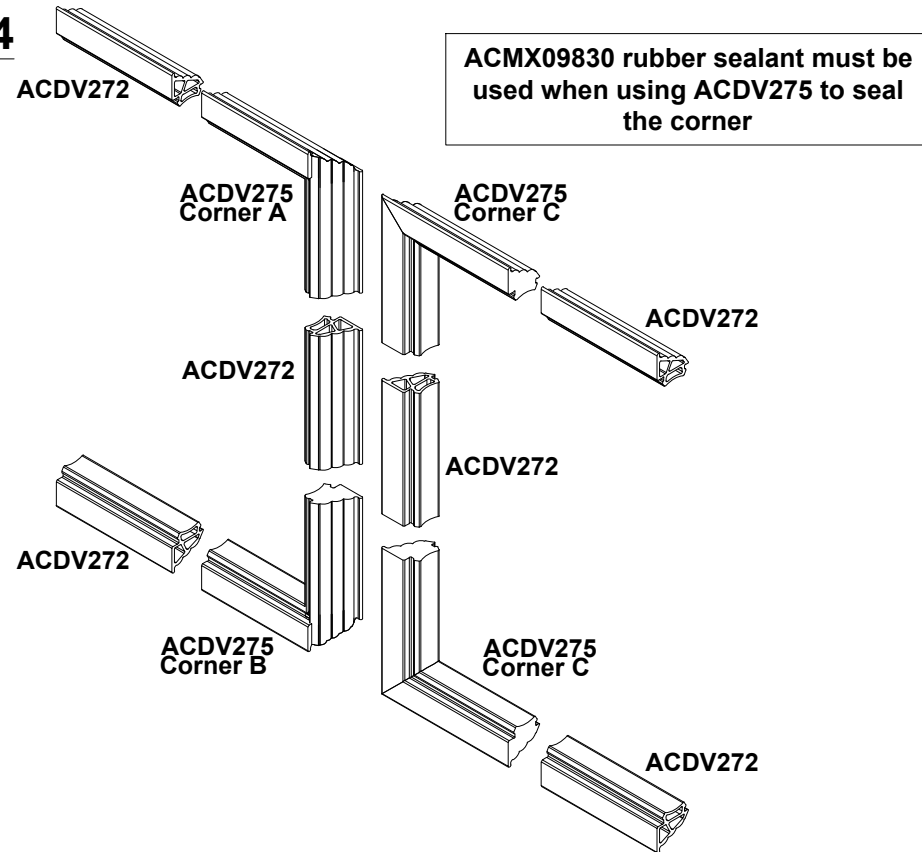
ACDV275 Corner A Shown

ACDV275 needs to be cut to fit above or below the hinges

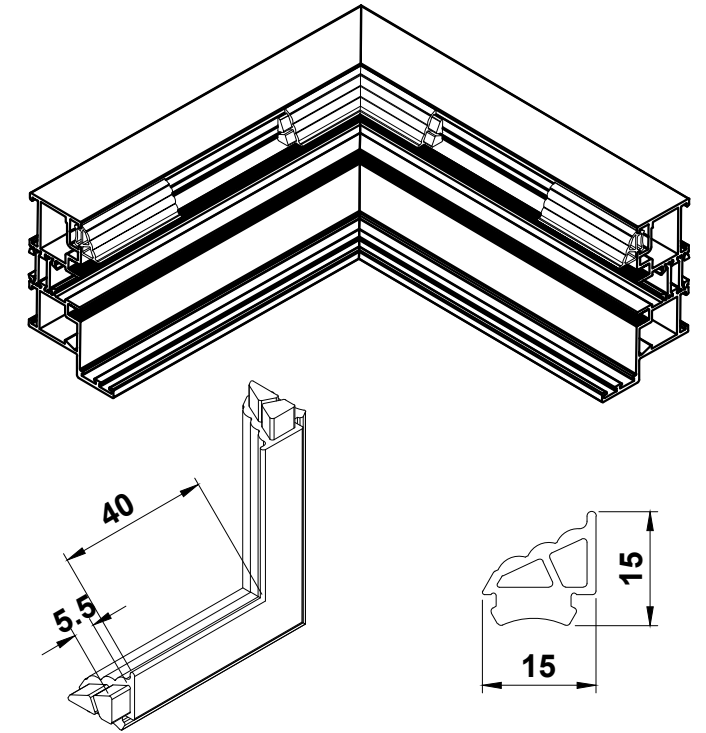
Cut ACDV272 between ACDV275 corner moulds

ACDV275 Pack Contains:
10 x Corner A
10 x Corner B
20 x Corner C

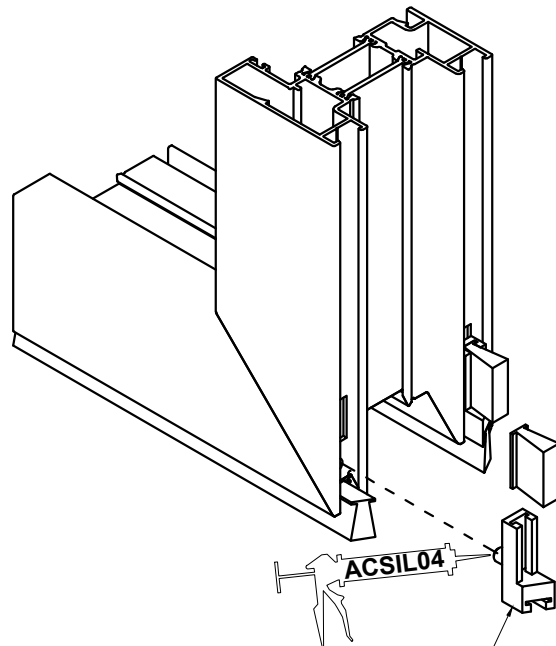
Packs of each corner type may also be ordered as:
ACDV275A, ACDV275B or ACDV275C



ACDV375 Corner Gasket

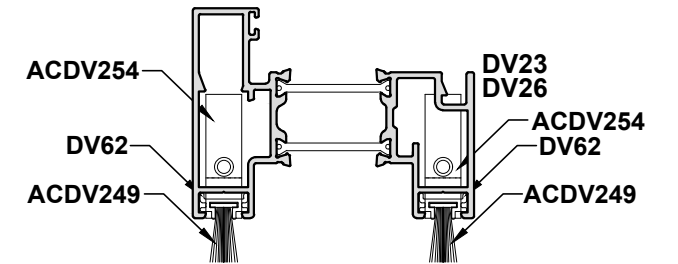
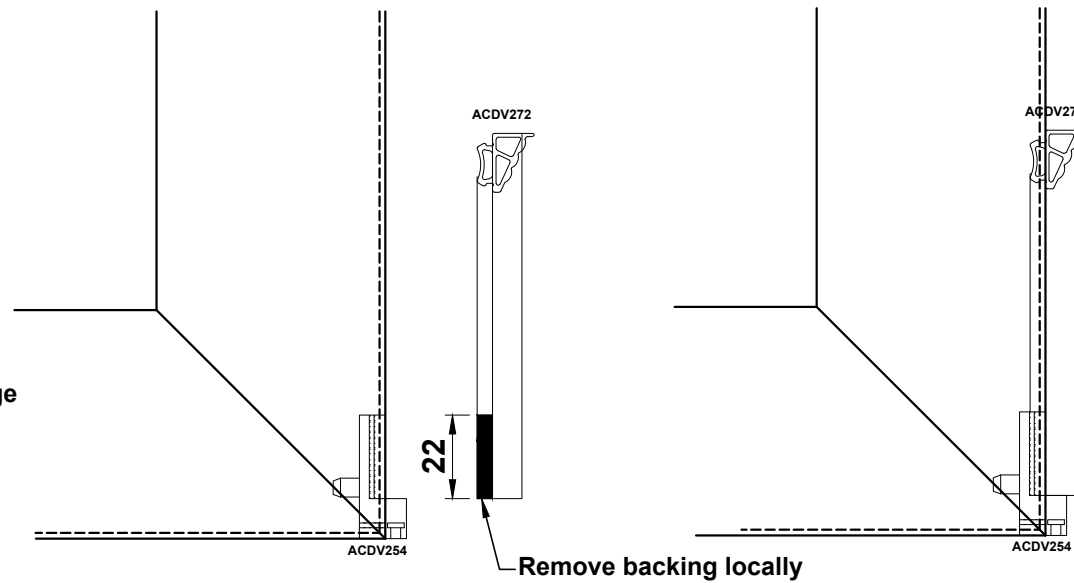


Vent Gasket Detail Where Using ACDV254

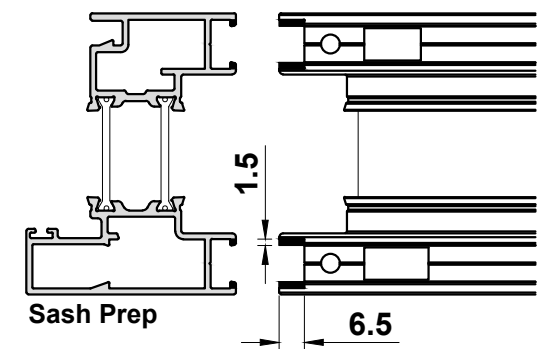


Woolpile ACSH032 is used to seal gap against bottom hinge

Cylindrical part slots into punched grub screw access for cleat



Preparation for DV62

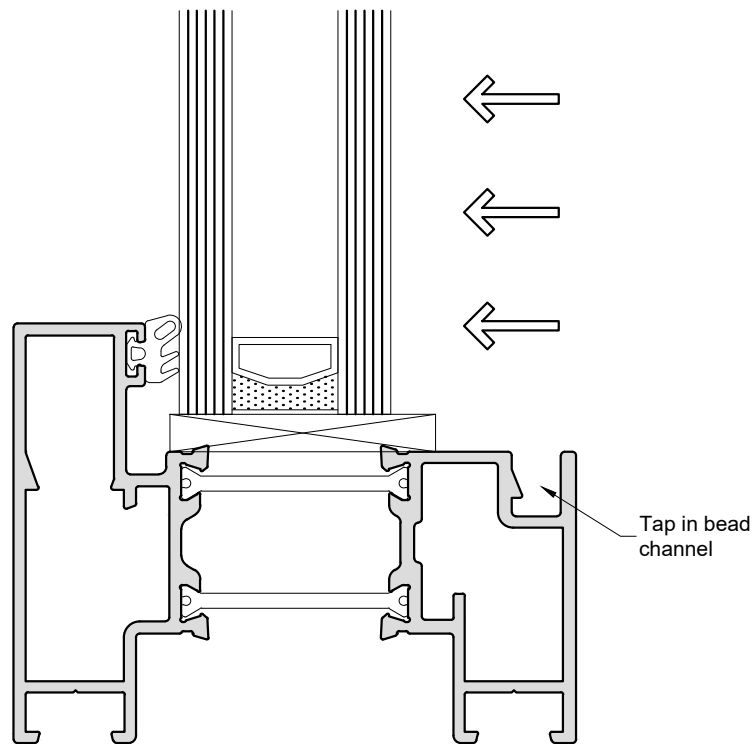


Do Not Scale From This Drawing

Tap in Bead Installation and Removal

TAP IN BEAD INSTALLATION

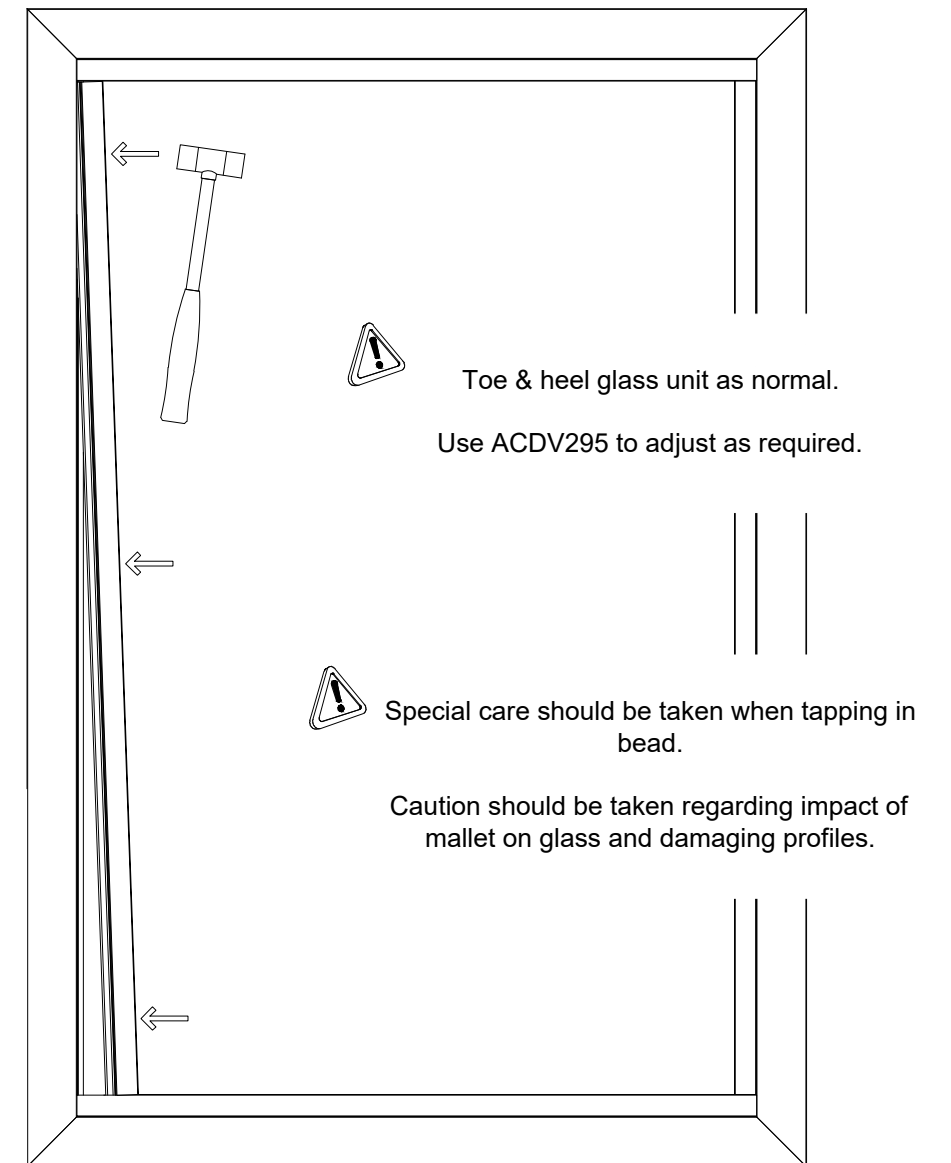
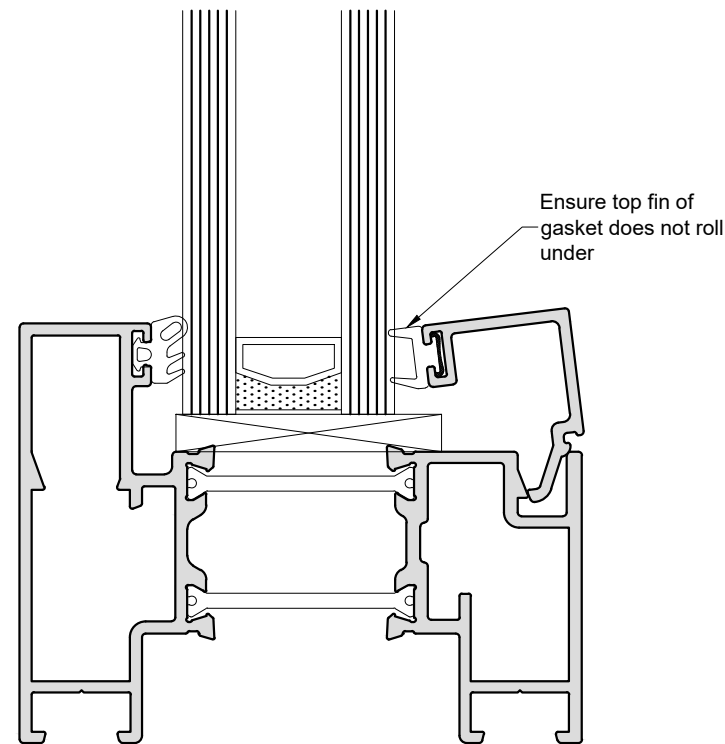
1. Install glass unit, ensuring it has been pushed forward to engage compression of e gasket.
2. Beginning with horizontal beads, locate bead in clip channel of sash as shown. co-extruded gasket may rest against glass unit.
3. Apply firm pressure to the bead to hold in position. this may cause the bead to fully lock into position.
4. Using a nylon mallet, tap bead into channel working from one end to the other. please take care at this stage to avoid damage to both the glazing unit and the bead.
5. Repeat steps 2 - 4 to install vertical beads.



TAP IN BEAD REMOVAL

1. Using small flat headed screwdriver or similar, wedge tip between co extruded gasket and aluminium.
2. In a levering motion, prise the gasket away from the aluminium. particular care should be taken not to damage the glass unit and aluminium.
3. Complete this at several locations along the length of the bead.
4. Remove gasket and discard. this gasket can no longer be used.
5. The bead should now be easily removable from tap in bead channel in sash

Please see glazing chart for replacement gasket codes.



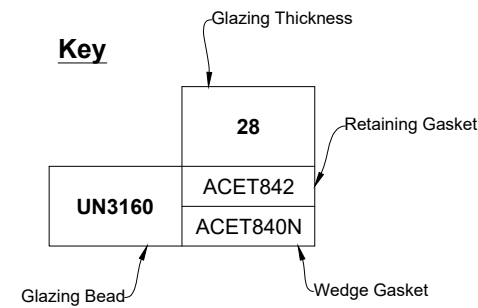
Do Not Scale From This Drawing

Glazing

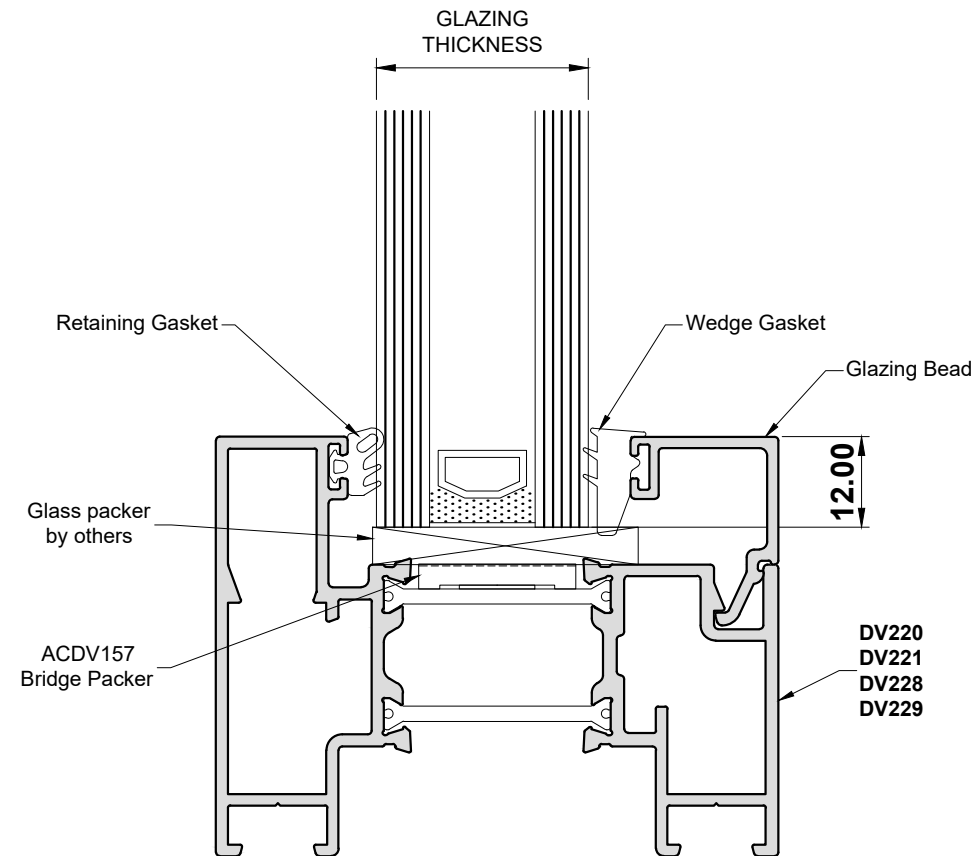
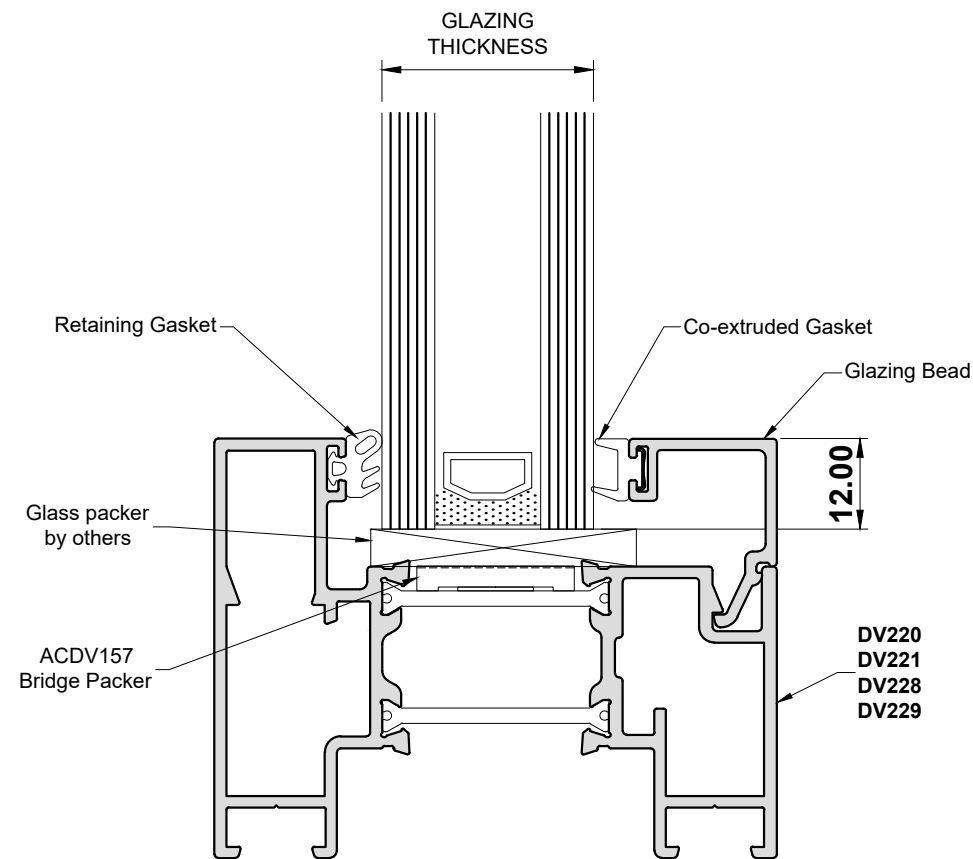
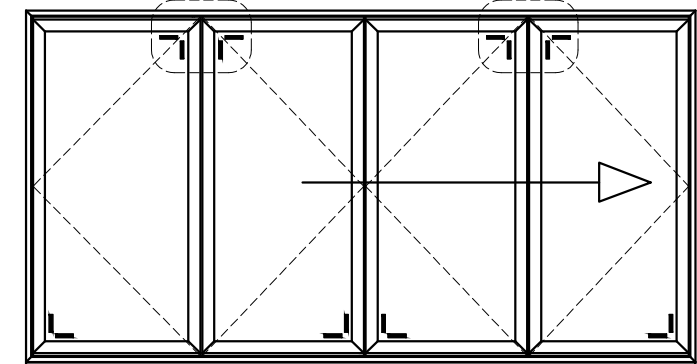
INTERNALLY GLAZED

Glazing Bead	Glazing Thickness (mm)	
	28	28.8
UN3160G	ACUN3065	ACVG131N*
	-	-
UN3160	ACUN3065	ACVG131N*
	ACET848	ACET840N*

*Tested in house. Smaller / larger gaskets may be required depending on glass tolerance.



Typical Toe & Heel Locations
Recommended Using ACDV295 Glass Adjusters



Retaining Gasket

Low Line	4mm		ACVG131N
			100m
5mm		ACUN3065	
		100m	
		BL	

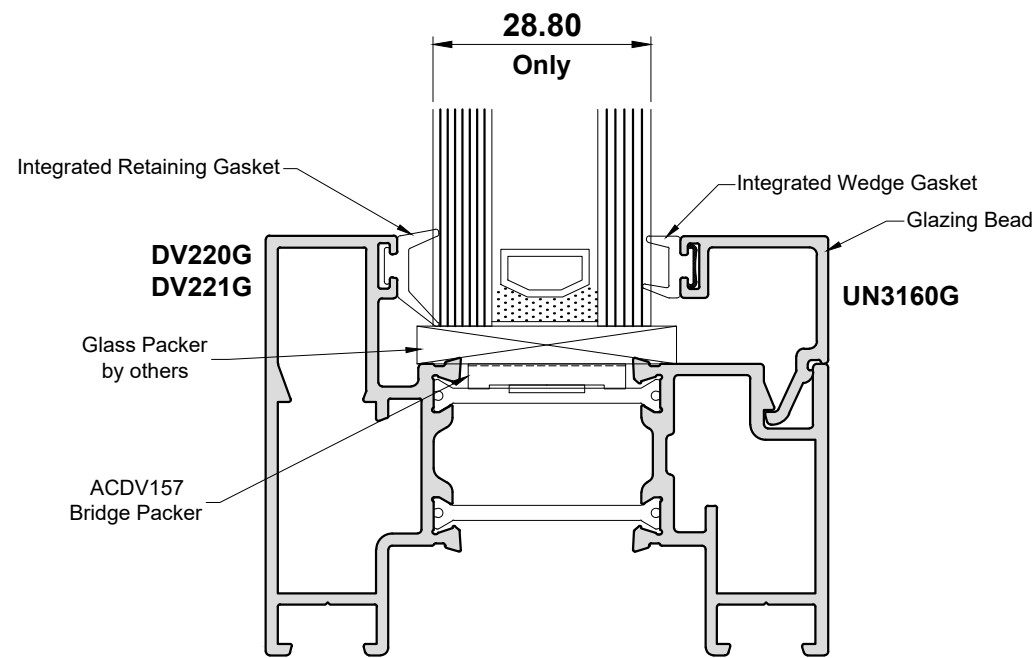
Wedge Gasket

Low Line	4mm - 3mm		ACW20038
			50m
4mm		BL	
		ACET848	
5mm - 4mm		200m	
		BL	
5mm		ACET840N	
		200m	
			BL

Do Not Scale From This Drawing

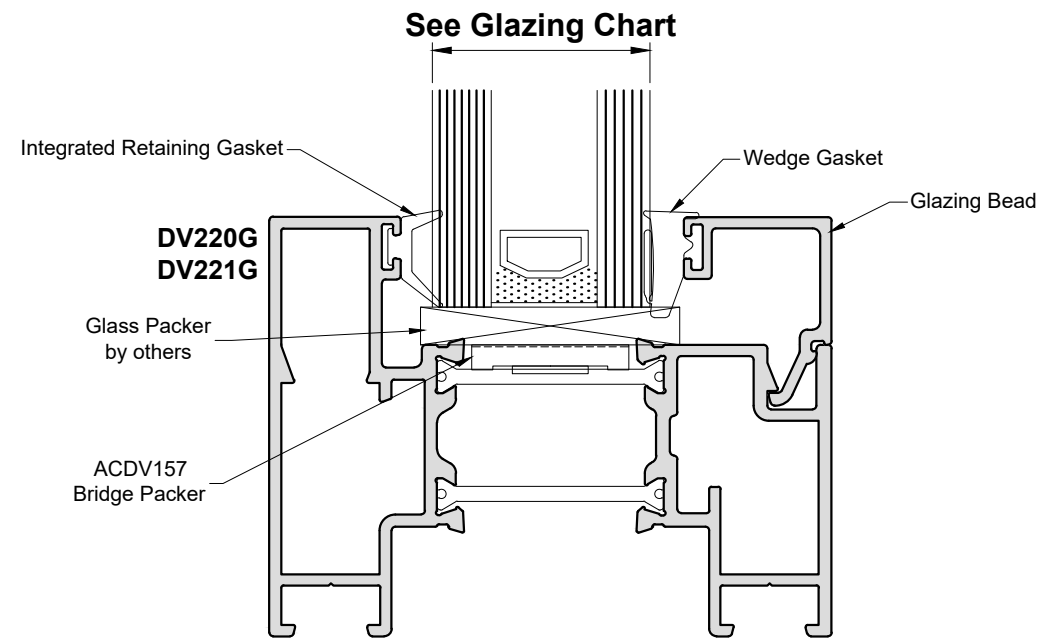
DV220G, DV221G, DV228G & DV229G Glazing

Combining DV220G/DV221G with UN3160G is suitable for 28.8mm units only.



DV220G & DV221G can be glazed using beads without integrated gasket using the below wedge options.

DV220G & DV221G with Internal Wedge Gasket				
Glazing Thickness	External Gasket	Bead	Low Profile Internal Gasket	Standard Internal Gasket
24	Integrated	UN3162	ACET848	ACUN033
28		UN3160		
32		UN3164		
36		ETC4179		
40		UN3166		
44		UN3168		



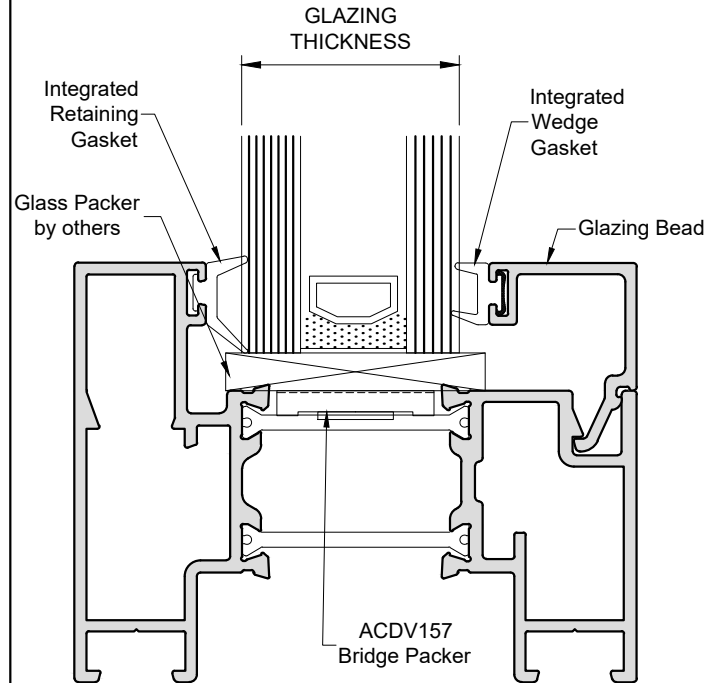
Wedge Gasket

Low Line	Wedge Gasket Profile	Wedge Gasket	
		Profile	Options
4mm - 3mm	[Profile]	ACW20038	50m
		BL	
5mm - 4mm	[Profile]	ACET848	200m
		BL	
5mm	[Profile]	ACET840N	200m
		BL	
5mm - 3mm	[Profile]	ACUN033	100m
		BL	

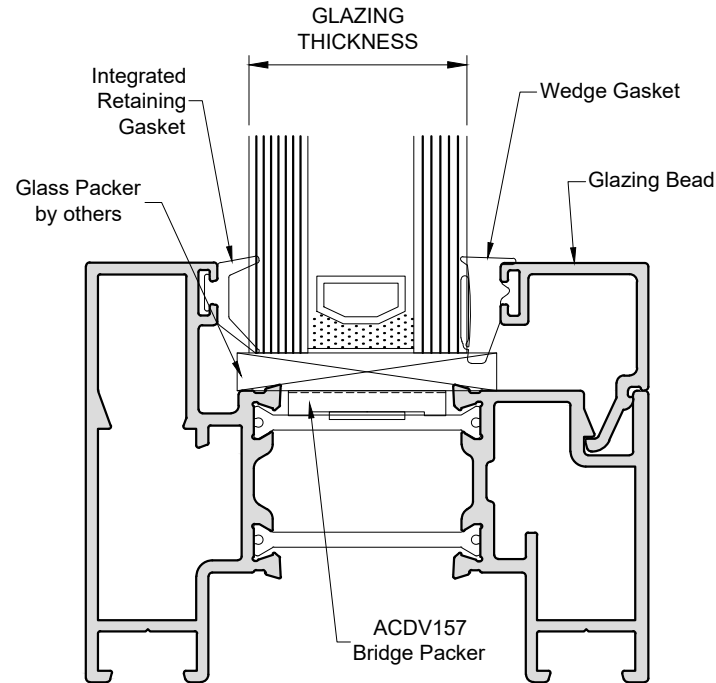
Do Not Scale From This Drawing

Glazing Charts

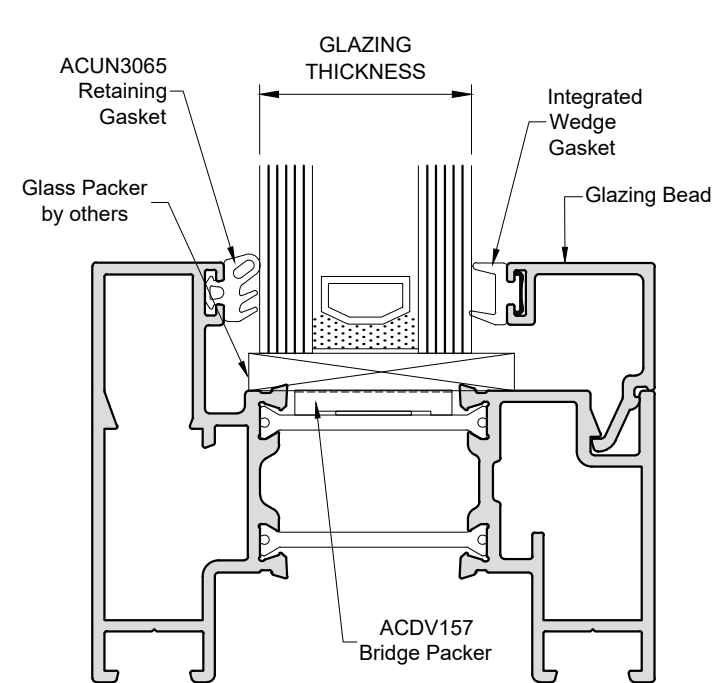
DV220G / DV221G / DV228G / DV229G
UN3162G / UN3160G / UN3164G / ETC4179G / UN3166G



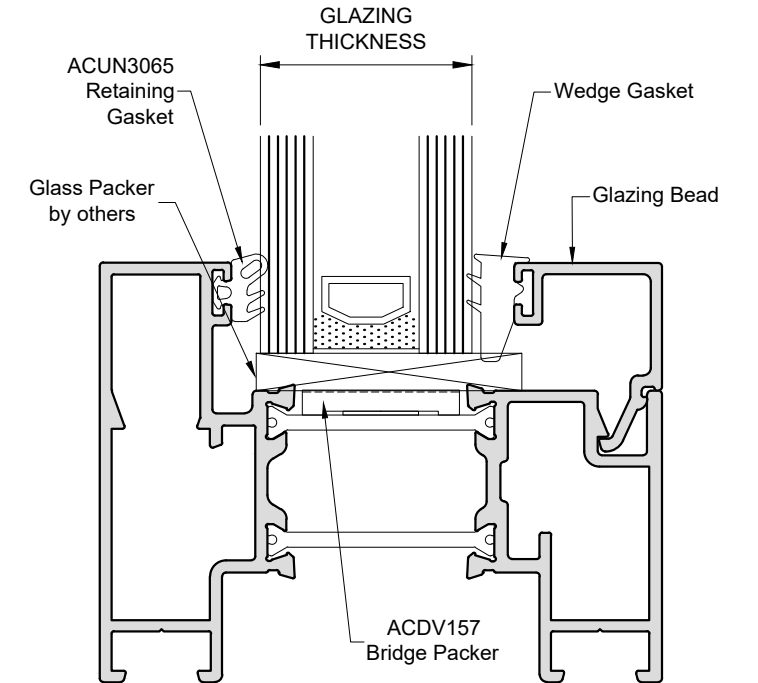
DV220G / DV221G / DV228G / DV229G
UN3162 / UN3160 / UN3164 / ETC4179 / UN3166 / UN3168



DV220 / DV221 / DV228 / DV229
UN3162G / UN3160G / UN3164G / ETC4179G / UN3166G



DV220 / DV221 / DV228 / DV229
UN3162 / UN3160 / UN3164 / ETC4179 / UN3166 / UN3168

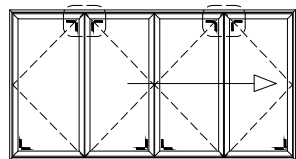


DV220G / DV221G / DV228G / DV229G with Quick Glaze Beads		
Glazing Thickness	External Gasket	Bead
24.8	Integrated	UN3162G
28.8		UN3160G
32.8		UN3164G
36.8		ETC4179G

DV220G / DV221G / DV228G / DV229G using ACUN3065 Retaining Gasket with Quick Glaze Beads				
Glazing Thickness	External Gasket	Bead	Low Profile Wedge Gasket	Standard Wedge Gasket
24	Integrated	UN3162	ACET848	ACUN033
28		UN3160		
28.8		UN3160		
32		UN3164		
36		ETC4179		
40		UN3166		
44		UN3168		

DV220 / DV221 / DV228 / DV229 using ACUN3065 Retaining Gasket with Quick Glaze Beads		
Glazing Thickness	External Gasket	Bead
24	ACUN3065	UN3162G
28		UN3160G
28.8		UN3160G
32		UN3164G
36		ETC4179G

DV220 / DV221 / DV228 / DV229 using ACUN3065 with Internal Wedge Gasket				
Glazing Thickness	External Gasket	Bead	Low Profile Wedge Gasket	Standard Wedge Gasket
24	ACUN3065	UN3162	ACET848	ACUN033
28		UN3160		
28.8		UN3160		
32		UN3164	ACW20038	
36		ETC4179		
40		UN3166		
44	UN3168	ACET848		

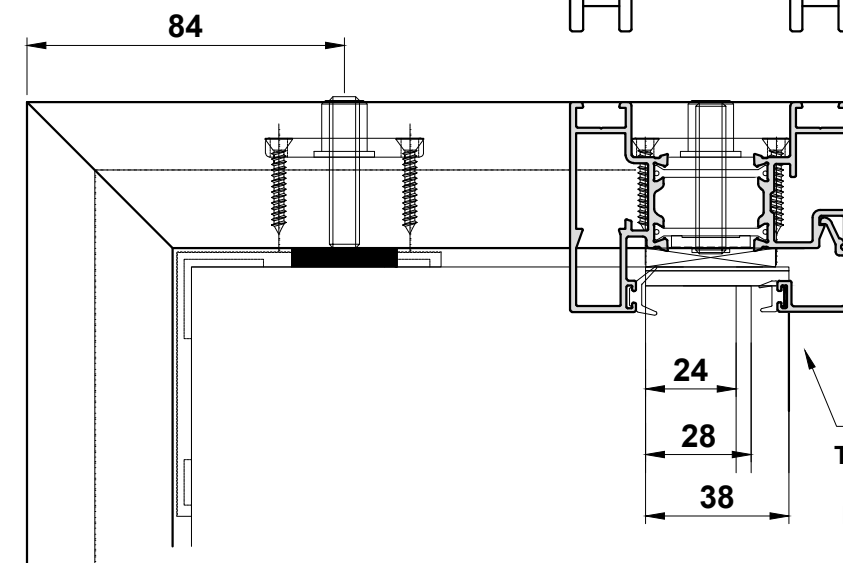
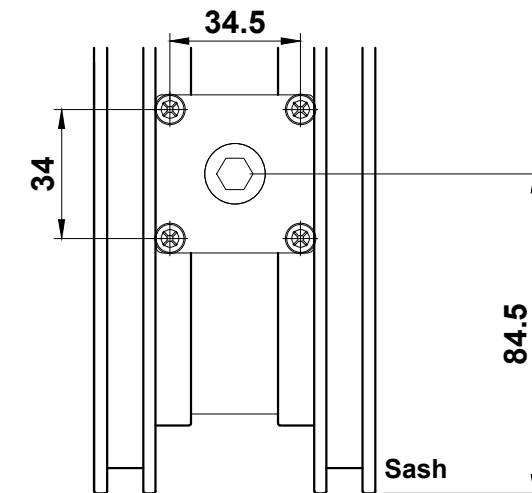
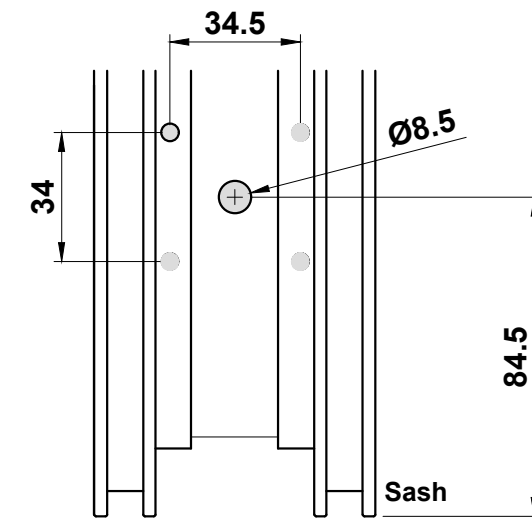
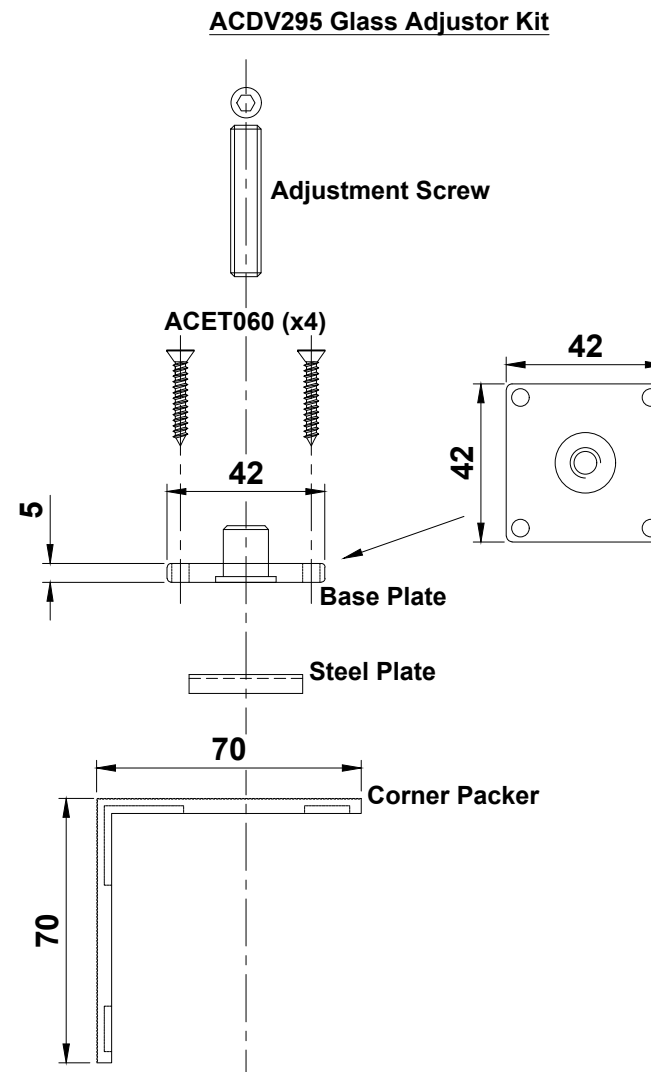
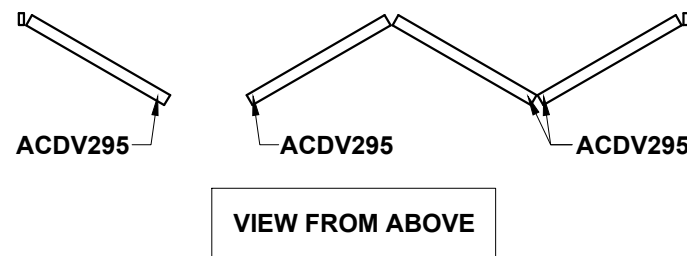
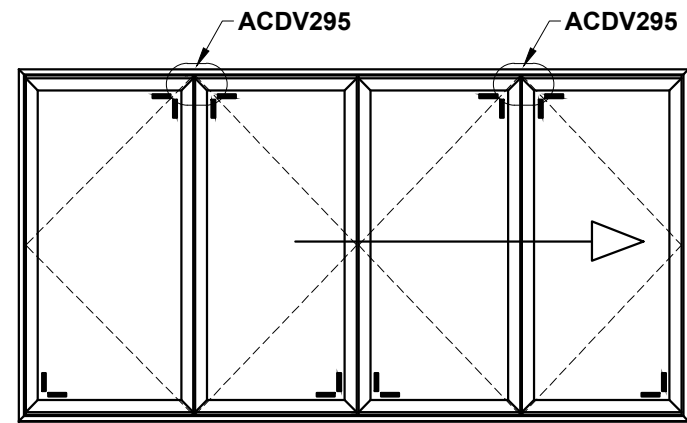


TYPICAL TOE & HEEL LOCATIONS
RECOMMENDED USING
ACDV295 GLASS ADJUSTERS

Glass Configurations Tested In House. Smaller / Larger Gaskets May Be Required Depending On Glass Tolerance

Do Not Scale From This Drawing

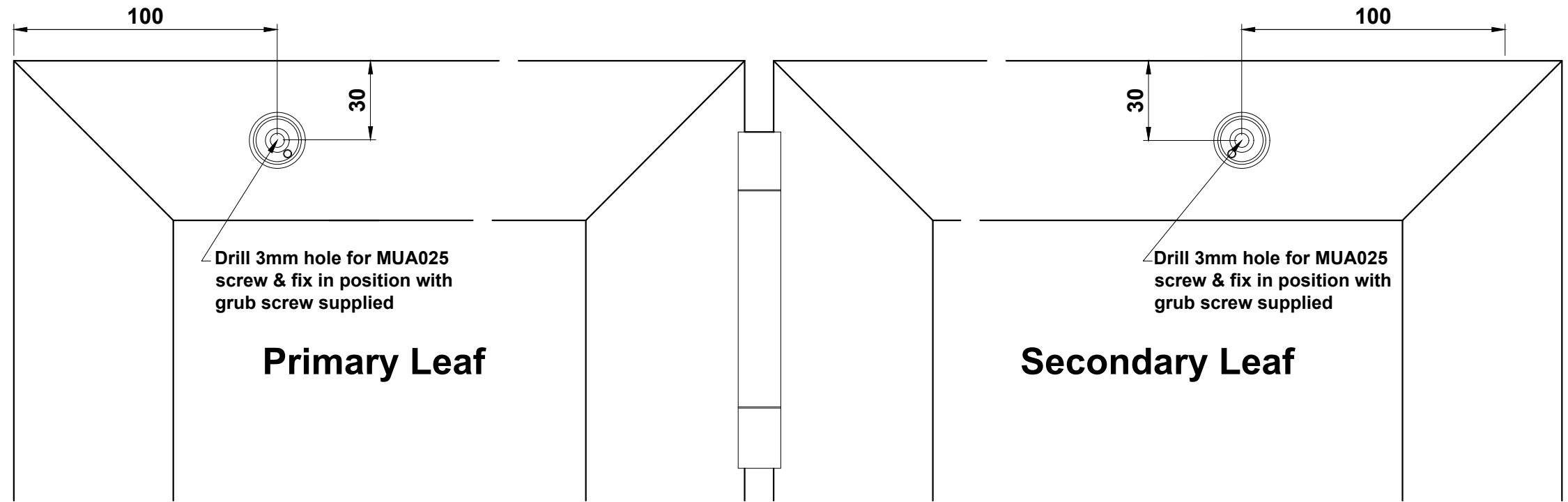
ACDV295 Glass Adjuster Kit



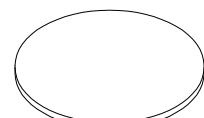
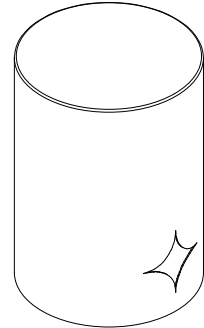
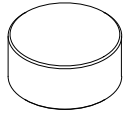
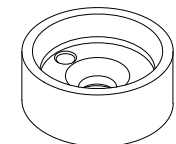
Please note:
The horizontal bead
may need notching
locally to ACDV295
to allow fitting

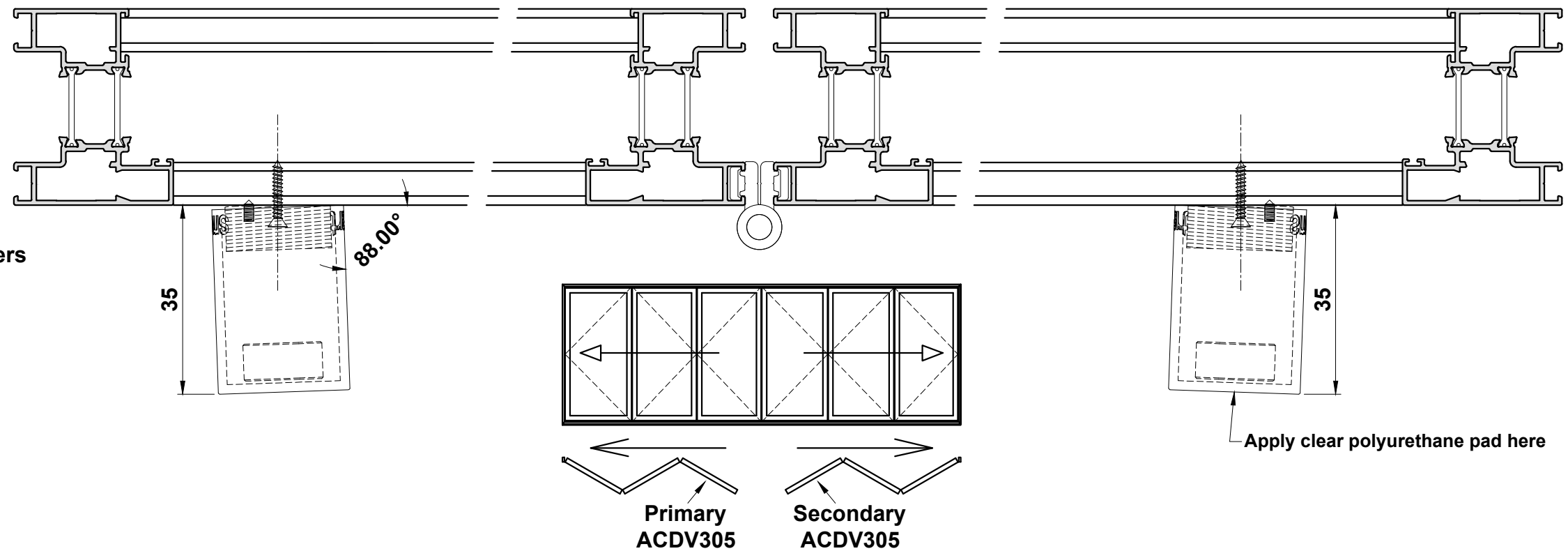
Do Not Scale From This Drawing

ACDV305 Fitting Details



ACDV305 Kit Contains

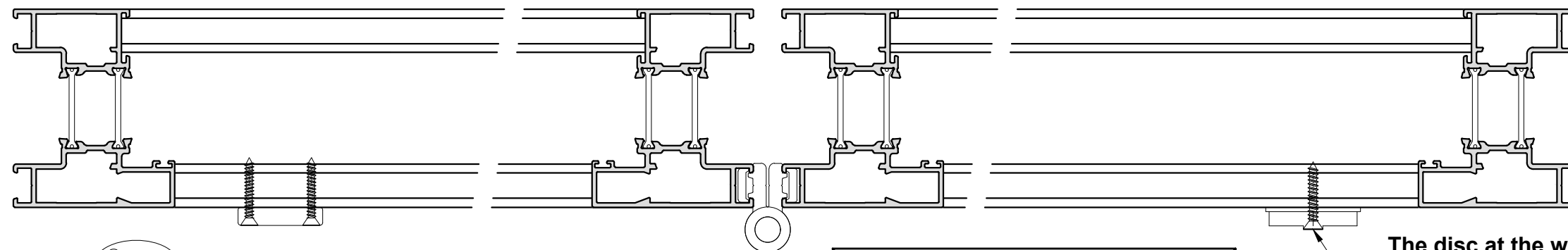
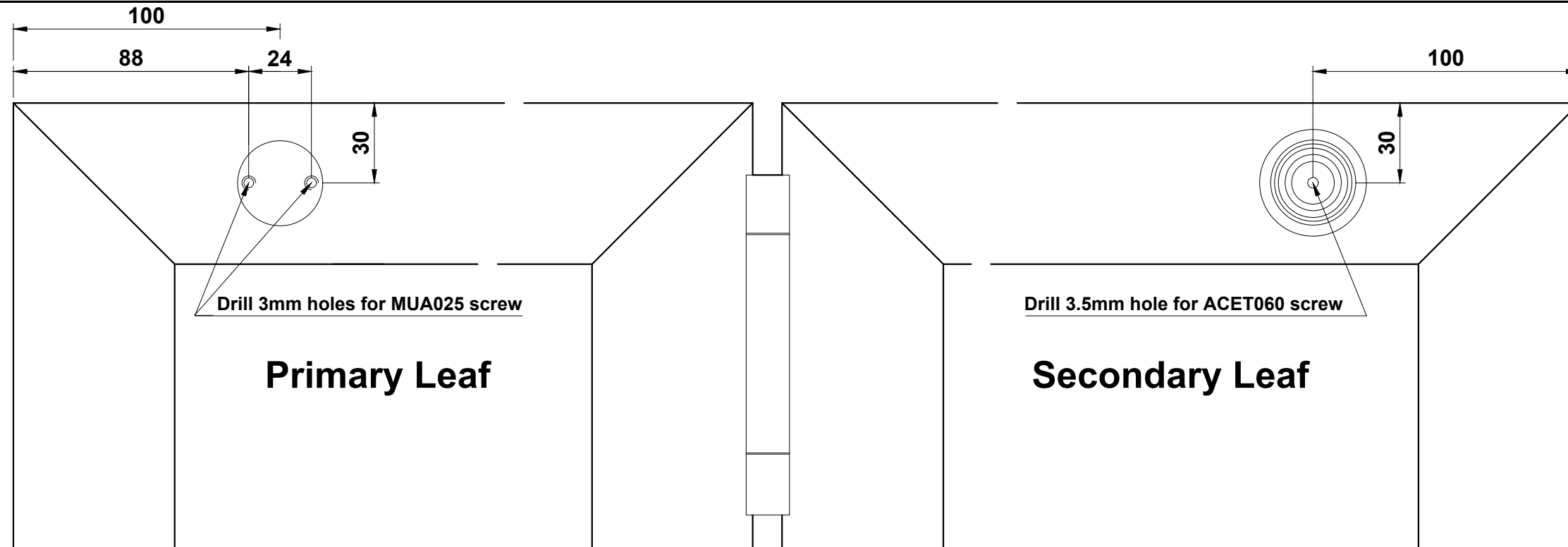
-  1 x Clear Polyurethane Pad
-  2 x 35mm Magnetic Holders
-  2 x Magnets
-  2 x Threaded Base



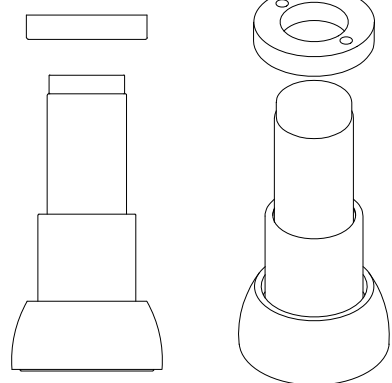
Apply clear polyurethane pad here

Do Not Scale From This Drawing

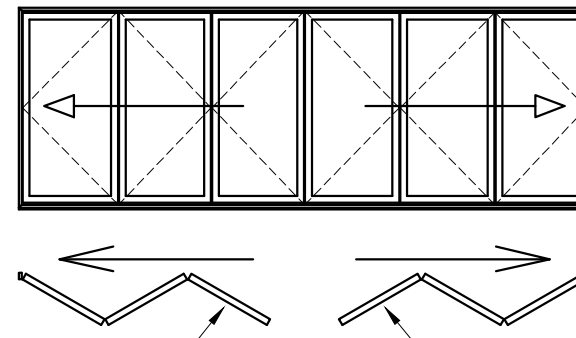
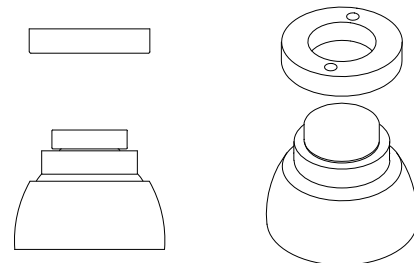
ACDV308 / ACDV309 Fitting Details



ACDV308



ACDV309



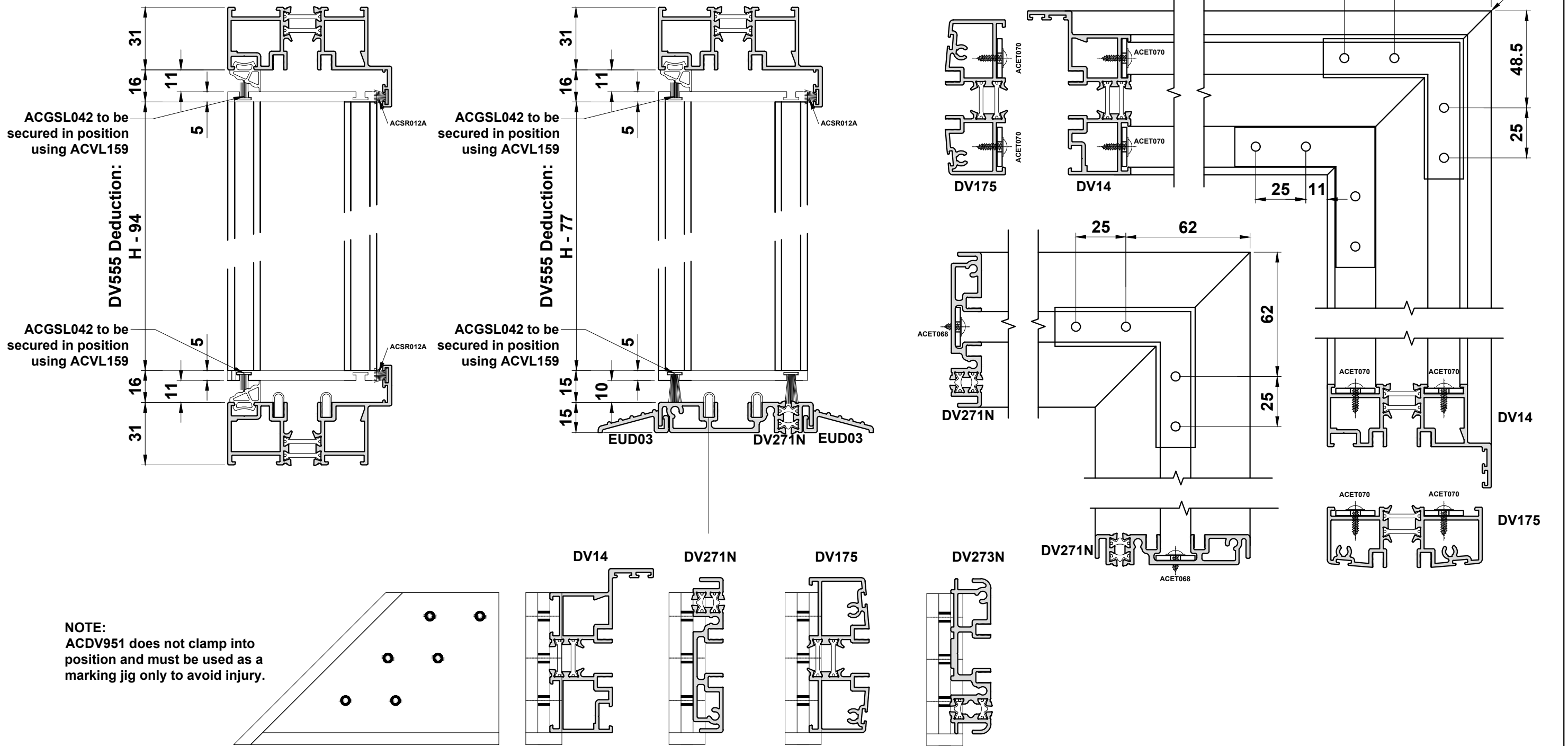
The disc at the wider end of the catch unscrews to allow fixing.

WARNING - the catch is SPRING LOADED, take care when removing from base plate and point in a safe direction

Do Not Scale From This Drawing

Outer Frame 90° Corner Assembly using ACDV552 & ACDV951

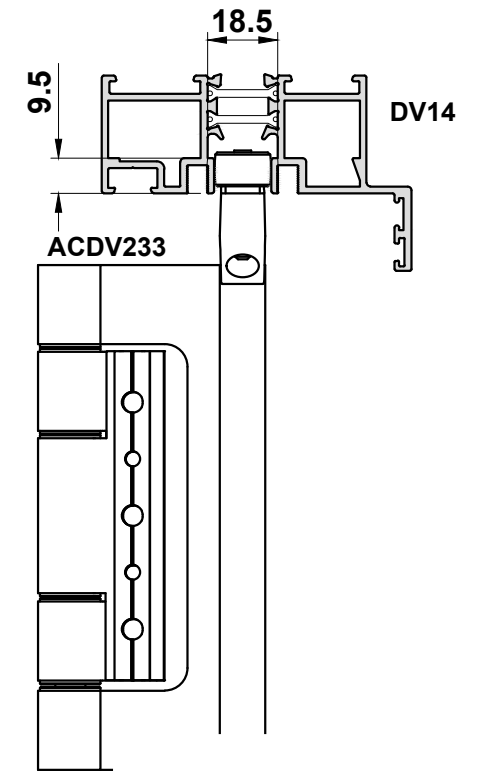
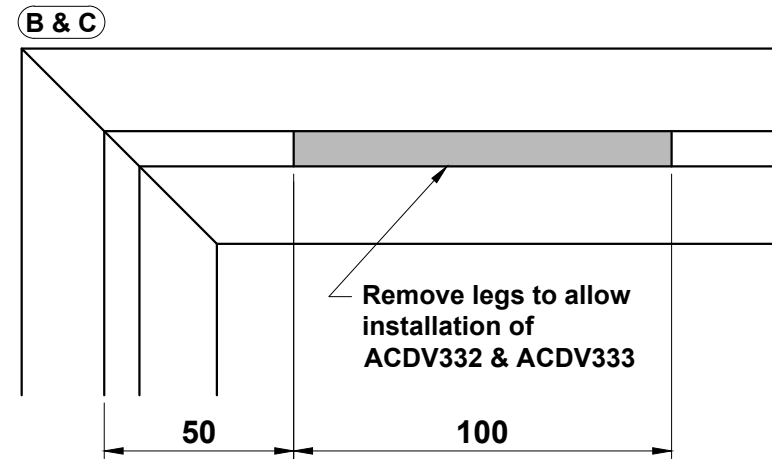
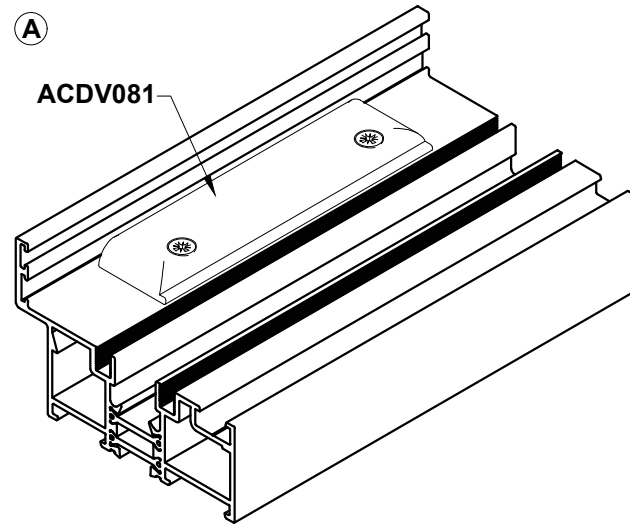
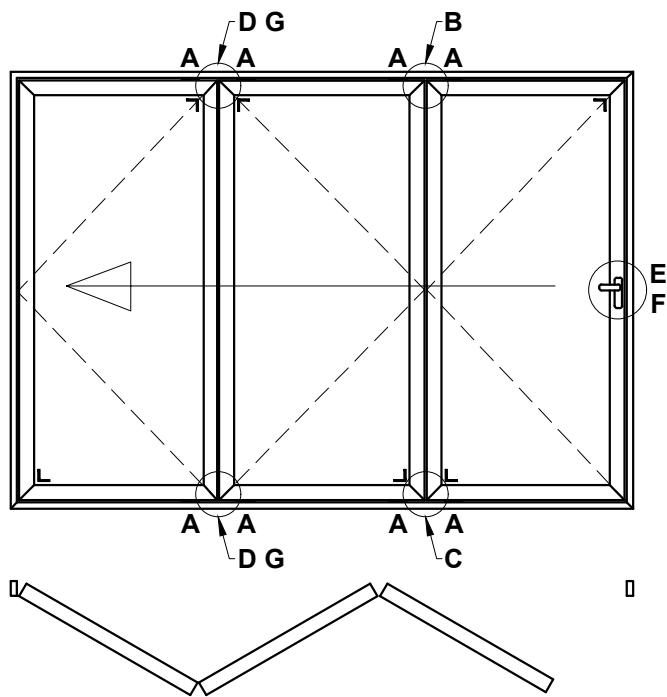
NOTE:
Where DV32 is used, ACSR012A should replace ACDV244N



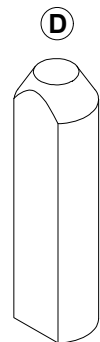
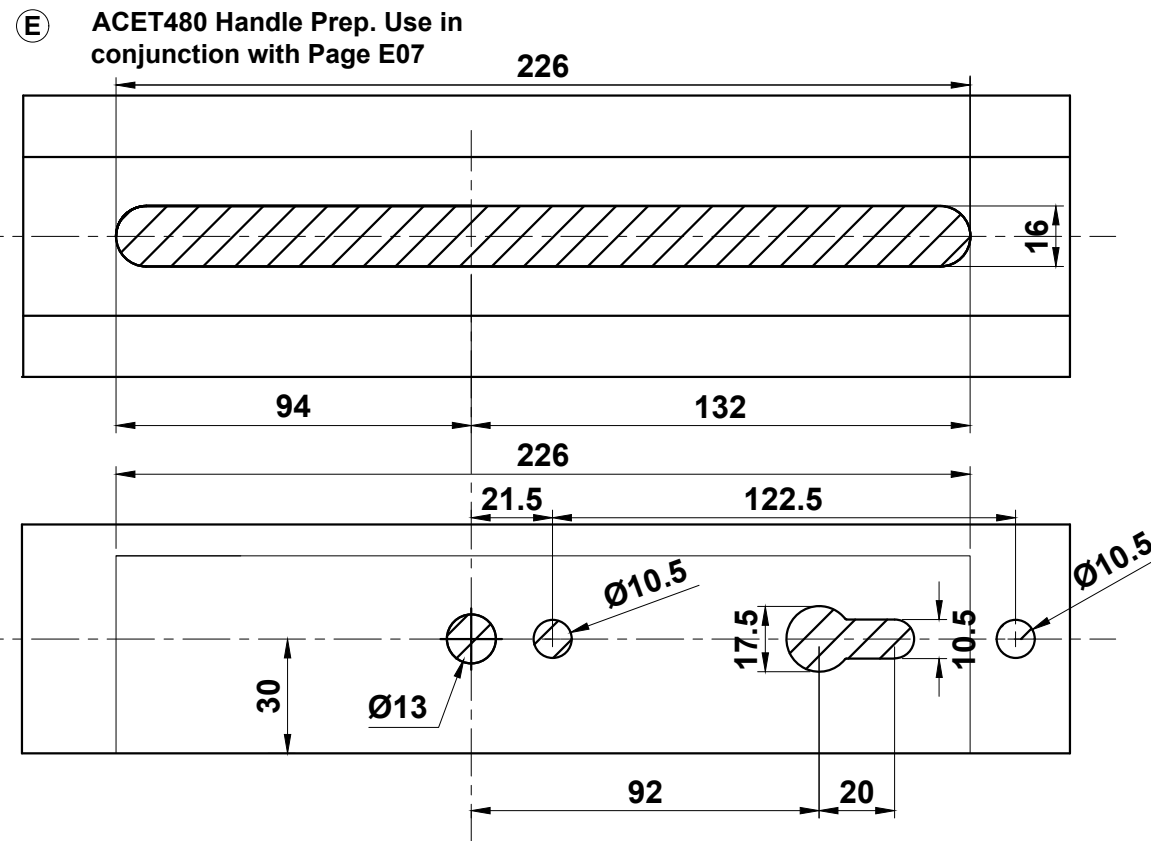
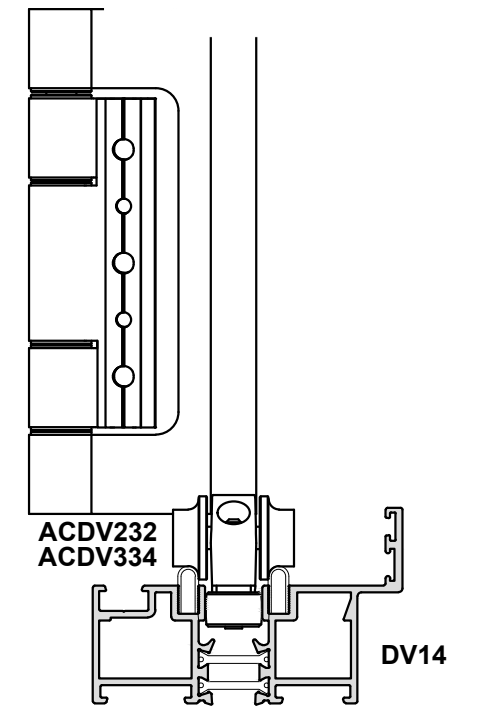
Do Not Scale From This Drawing

PAS24 Details

Accessories Required to Achieve PAS24		
A	Anti-Lift Blocks	ACDV081
B	Top Guide	ACDV233
C	Bottom Roller	ACDV232 / ACDV334
D	Shoot Bolts	ACDV328
E	Lever/Lever Handle	ACET480 / ACDV251
F	Cylinder	ACCY5050S3
G	Shootbolt Keeps	ACDV686



Deadfix hinges and hinged rollers using ACIM062



ACDV328 Nylon coated stainless steel top & bottom shoot bolt rods

Additional Notes:

1. ACDV225 shoot bolt handle with ACMX01604 cylinder must be used to operate shoot bolt
2. ACDV722 & ACDV723 was used for the traffic door
3. Pack glass tightly along the sides of the traffic door to prevent movement
4. Pack glass tightly in line with each hinge, roller & top guide
5. The full test report is available to download at www.smartsystems.co.uk

Do Not Scale From This Drawing

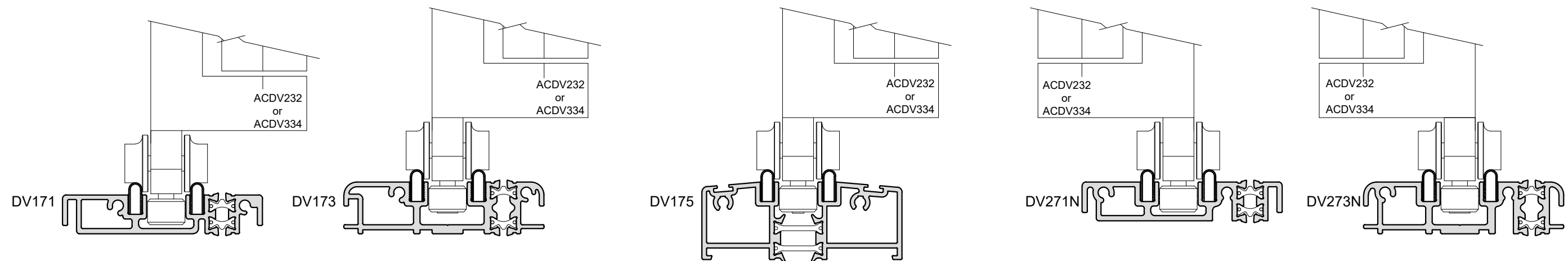
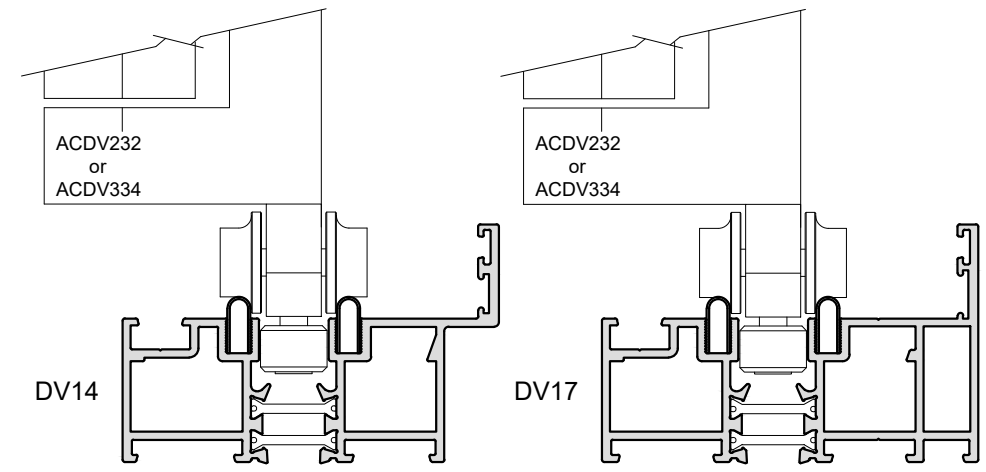
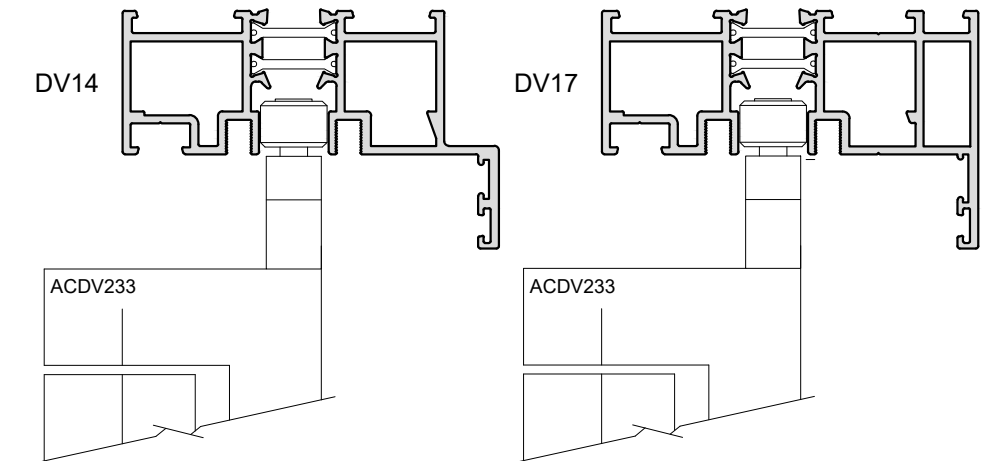
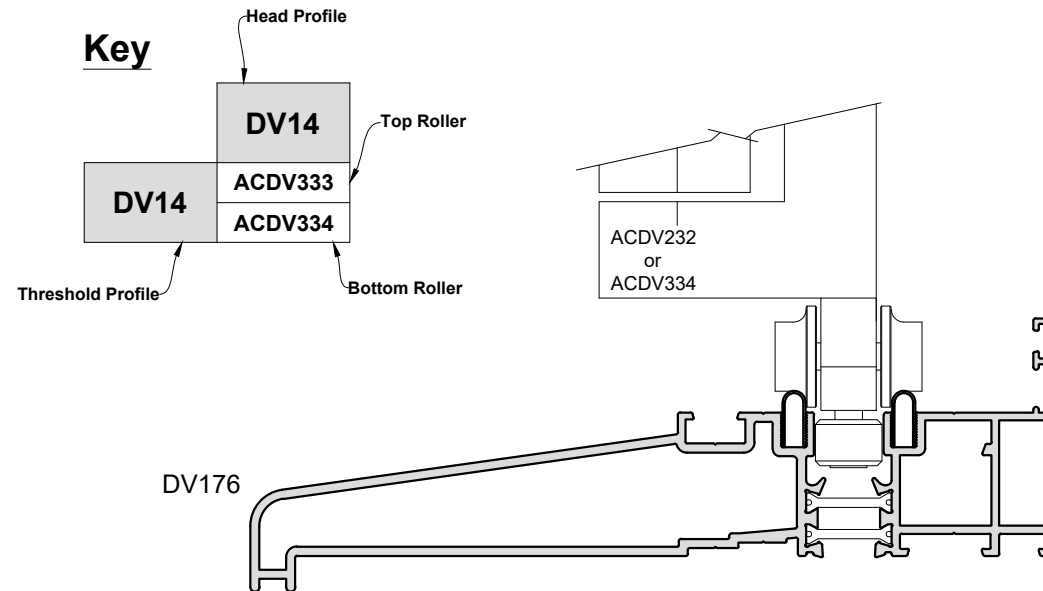
PAS24 Hinged Rollers

PAS24 Hinged Roller Combinations

		Head Profile	
		DV14	DV17
Threshold Profile	DV14	ACDV233	-
		ACDV232 / 334	-
	DV17	-	ACDV233
		-	ACDV232 / 334
	DV171N	ACDV233	ACDV233
		ACDV232 / 334	ACDV232 / 334
	DV173N	ACDV233	ACDV233
		ACDV232 / 334	ACDV232 / 334
	DV175	ACDV233	ACDV233
		ACDV232 / 334	ACDV232 / 334
DV176	-	ACDV233	
	-	ACDV232 / 334	
DV271N	ACDV233	ACDV233	
	ACDV232 / 334	ACDV232 / 334	
DV273N	ACDV233	ACDV233	
	ACDV232 / 334	ACDV232 / 334	

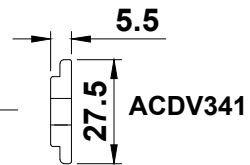
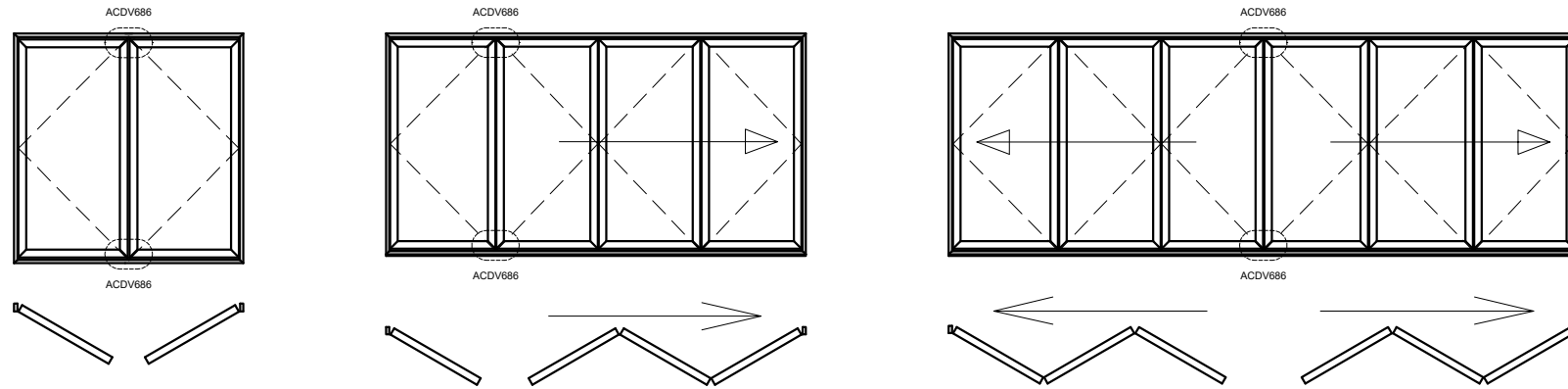
Important PAS24 Instruction:

Retained hinged rollers are no longer required to achieve PAS24. Testing has been completed using ACDV232, ACDV233 & ACDV334. DV15 & DV19 with DV100 are scheduled for testing.

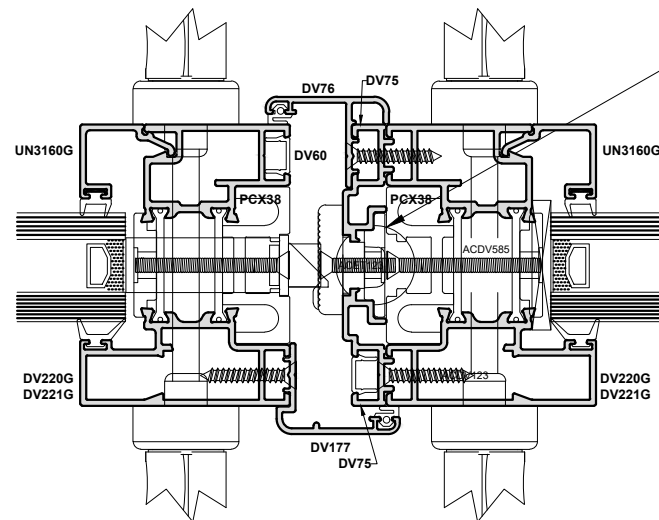


Do Not Scale From This Drawing

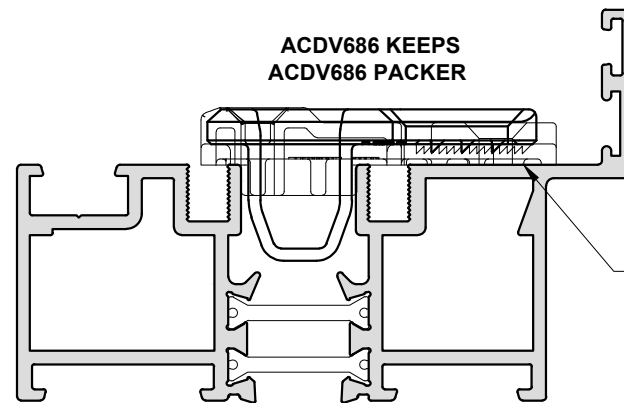
PAS24 Double Door Reinforcement



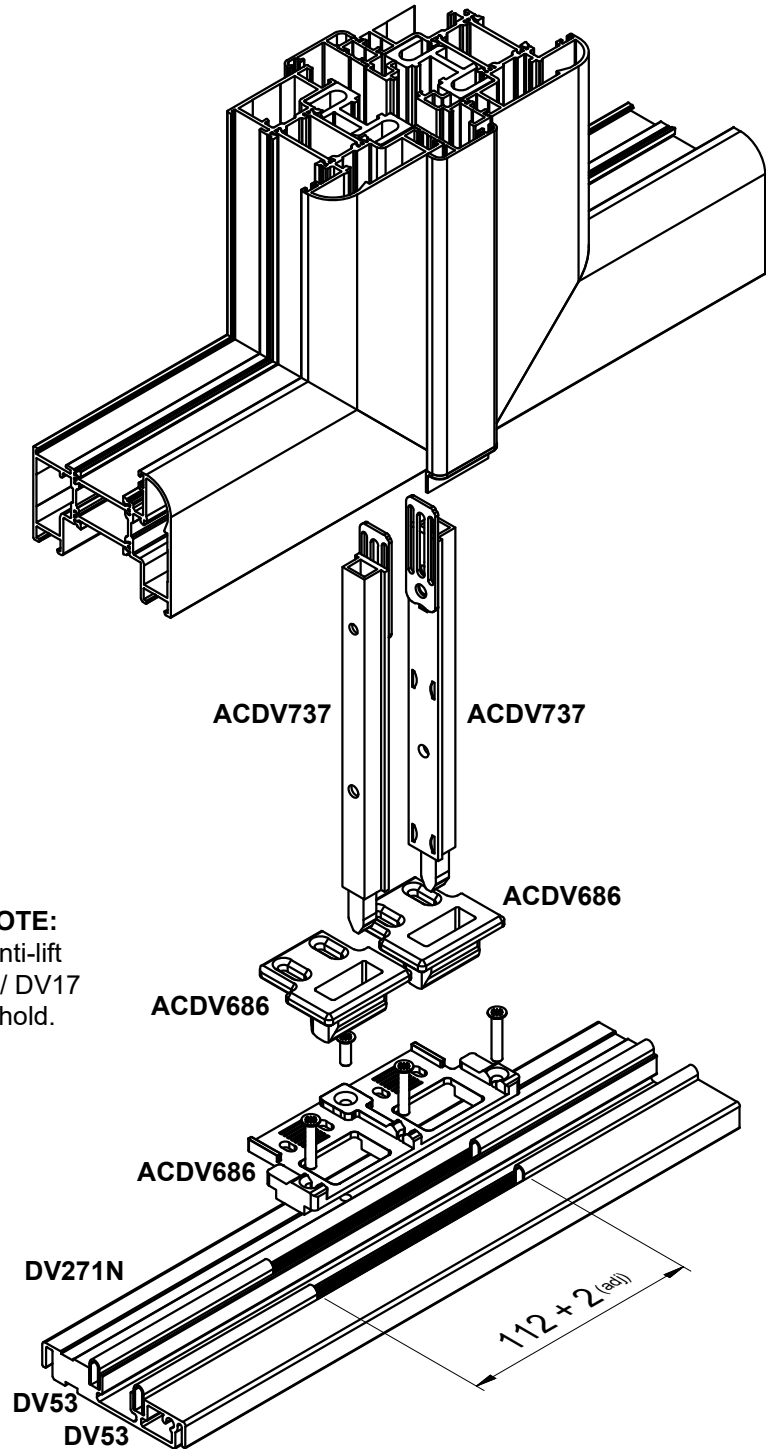
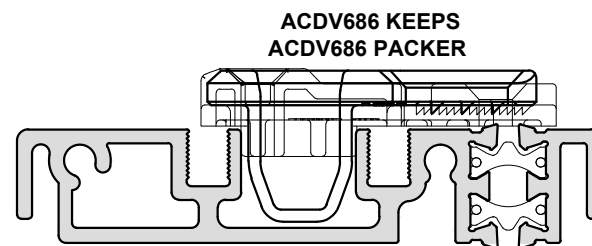
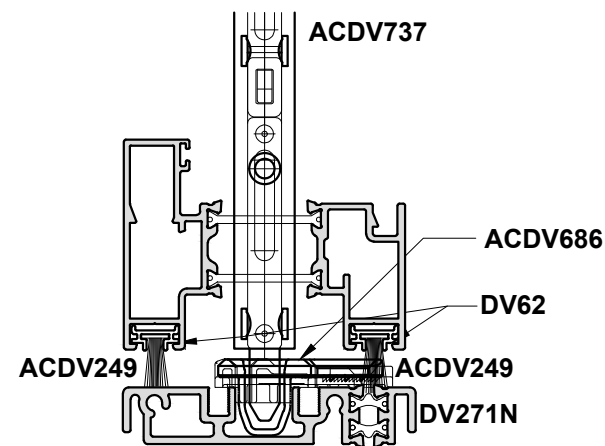
IMPORTANT NOTE:
Fix DV75 at 200mm centres and either side of locking & ACDV341 locations



ACDV341 aluminium fixing plate to keep, this will be fitted behind DV75 and a replacement of ACDV241.



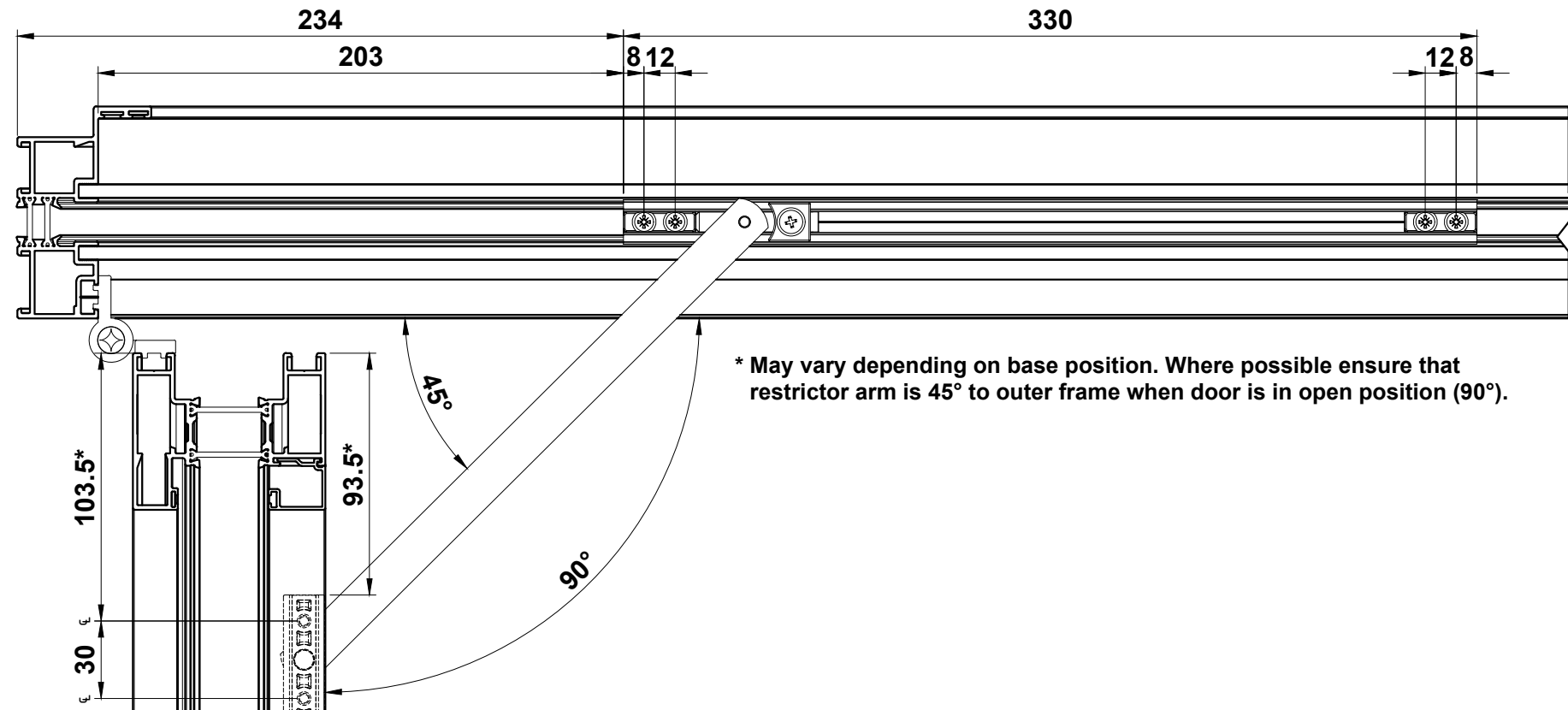
IMPORTANT NOTE:
Use ACDV081 anti-lift block when DV14 / DV17 is used as threshold.



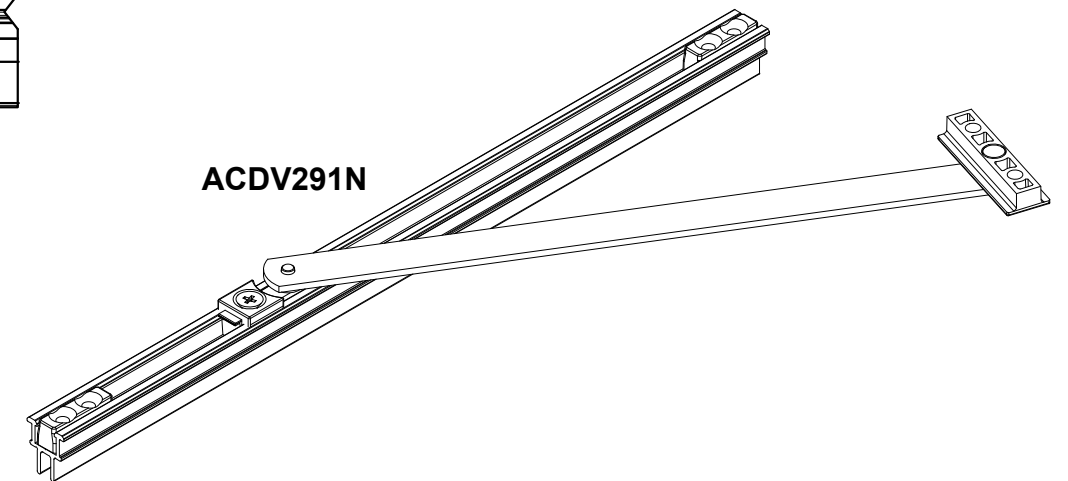
Do Not Scale From This Drawing

ACDV291N Restrictor

Viewed From Bottom

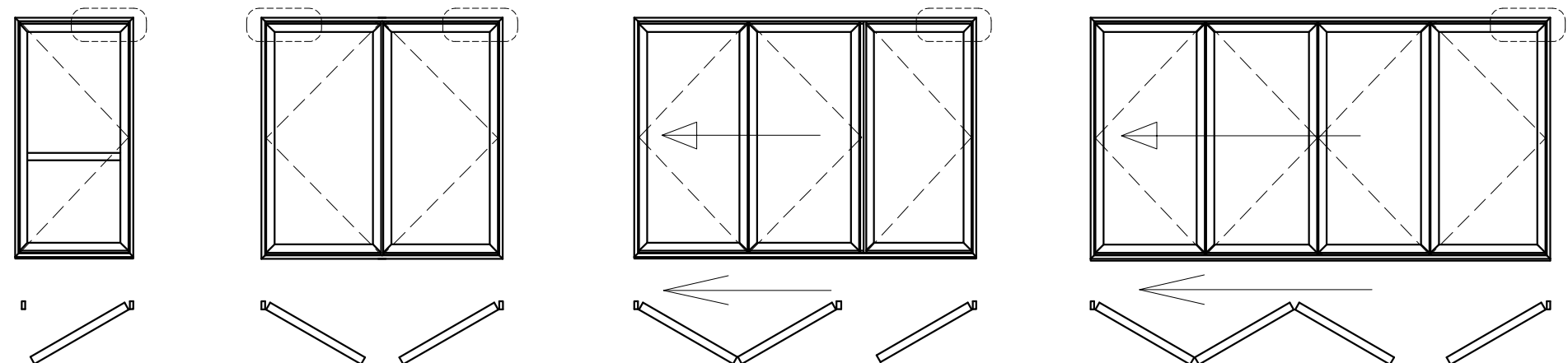


* May vary depending on base position. Where possible ensure that restrictor arm is 45° to outer frame when door is in open position (90°).



Please note.

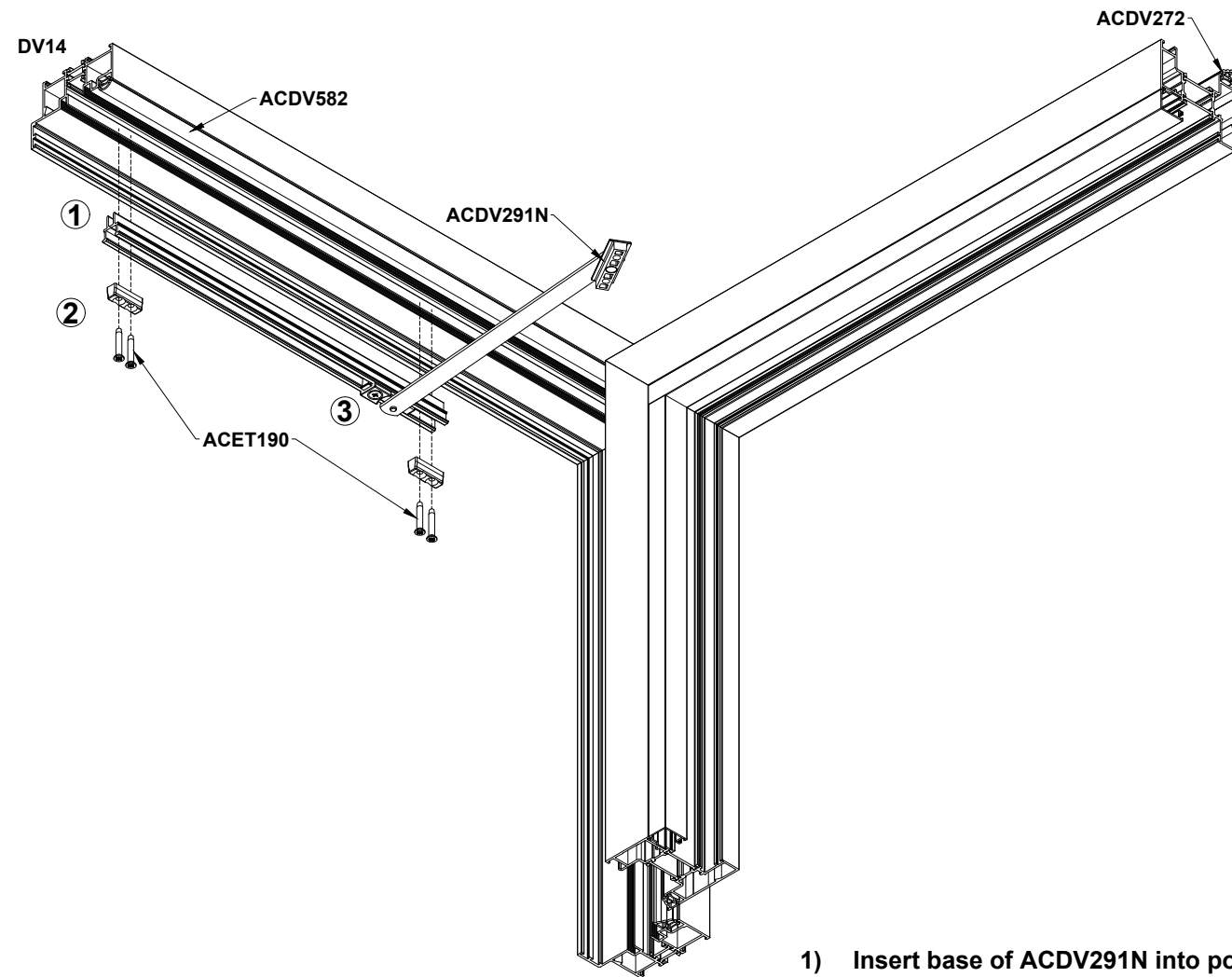
ACDV291N restrictor stay can only be used on single or double swing door applications, as shown below.



Further fitting details on next page

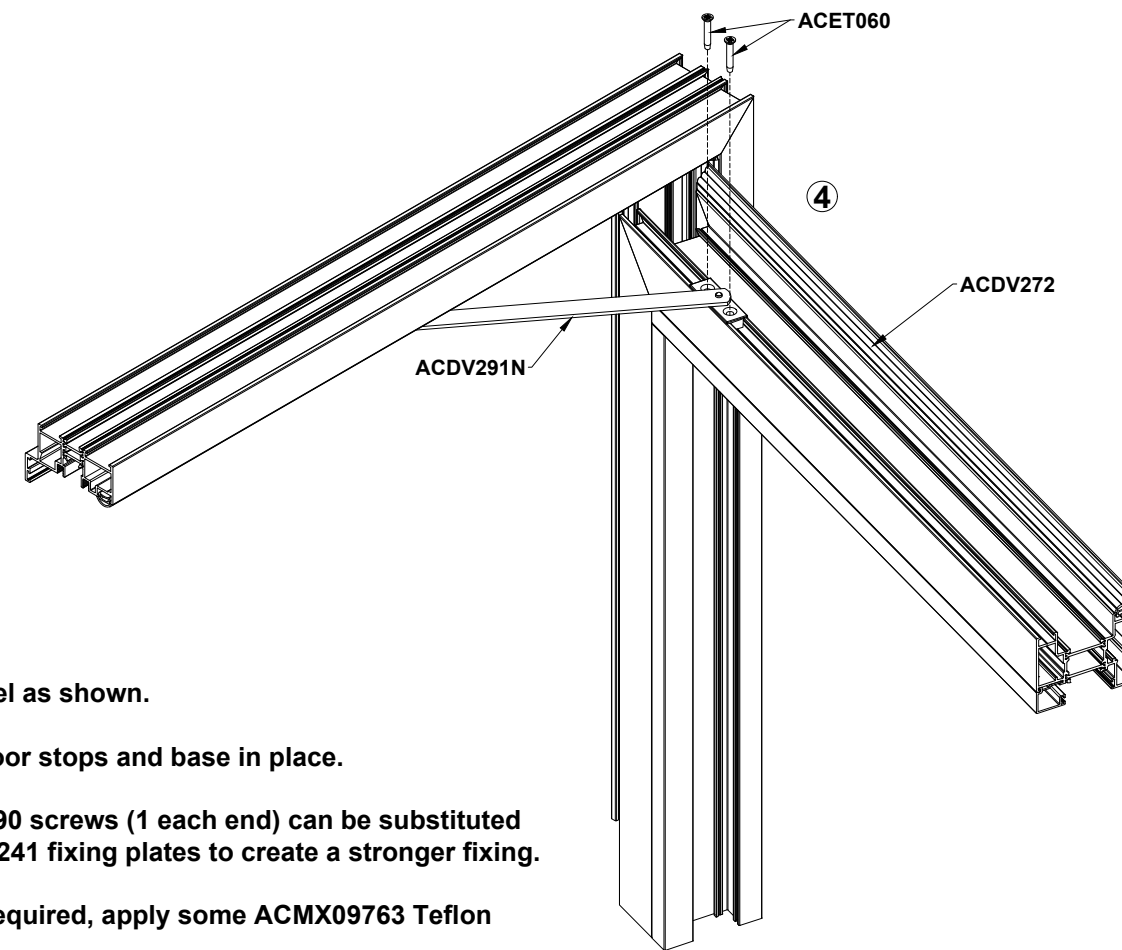
Do Not Scale From This Drawing

ACDV291N Restrictor



Please Note

Door needs to be closed slightly in order to install both screws as shown below.



- 1) Insert base of ACDV291N into polyamide channel as shown.
- 2) Use 4 x ACET190 polyamide screws to fix the door stops and base in place.

Note: if fixed before door is installed 2 x ACET190 screws (1 each end) can be substituted for 2 x ACDV264 machine screws and 2 x ACDV241 fixing plates to create a stronger fixing.

- 3) Ensure components move freely in channel. If required, apply some ACMX09763 Teflon lubrication spray.
- 4) Adjust door leaf to open at 90°. Once in place insert the restrictor bracket into the internal gasket channel on sash as shown. Spot and drill 2 x Ø3mm holes. Close the door slightly and then fix in place using 2 x ACET060 self tapping screws.

Do Not Scale From This Drawing

Section E

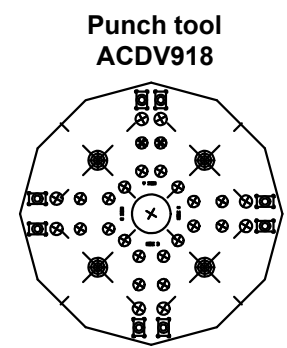
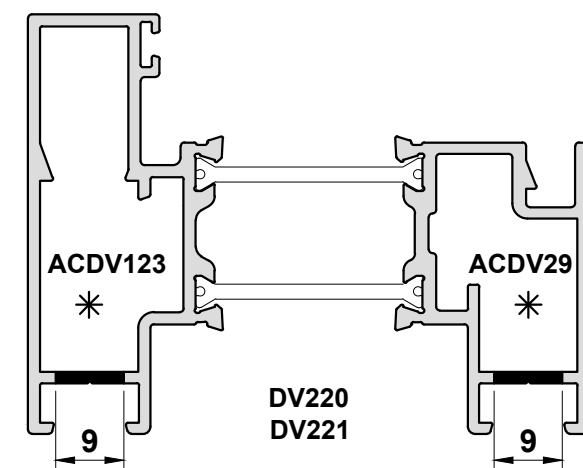
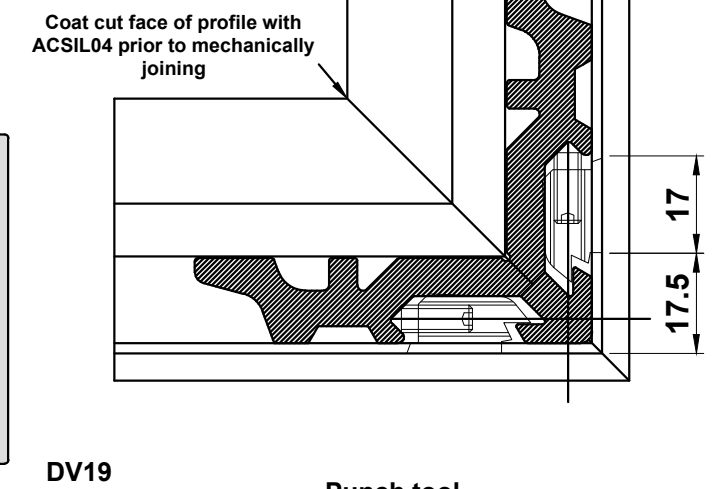
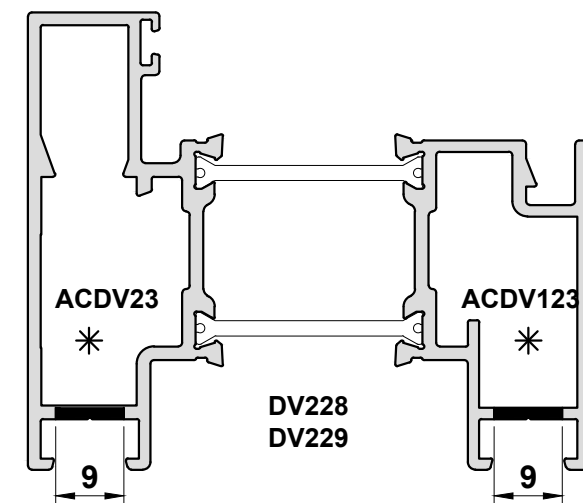
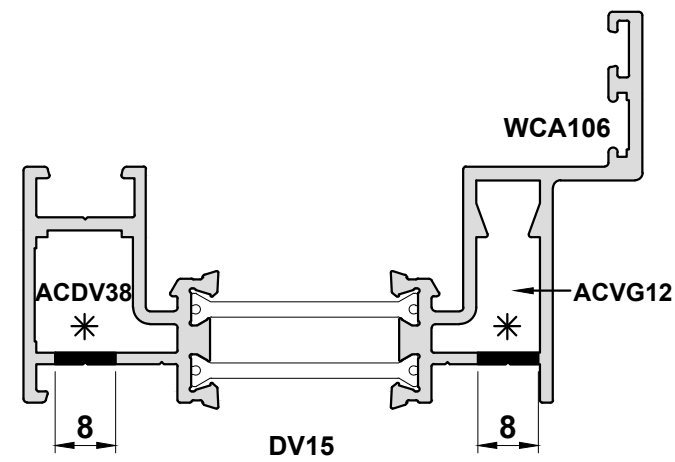
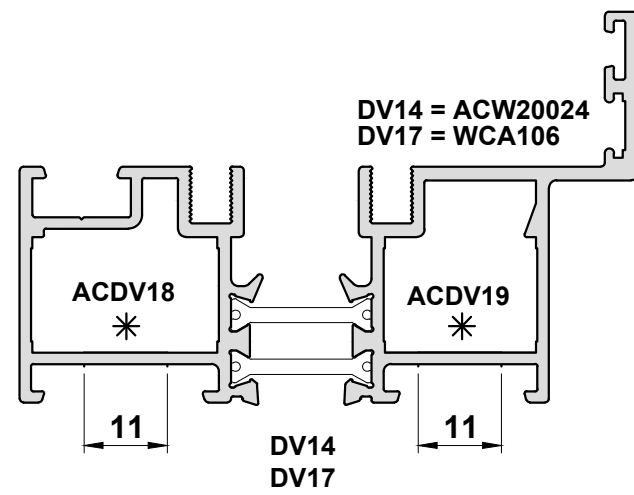
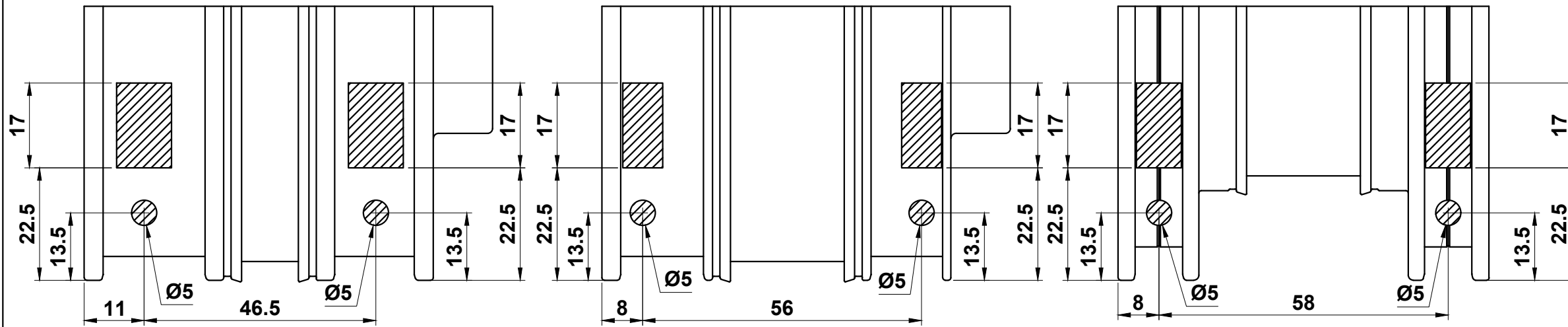


Construction Drawings - OPEN IN

Corner & Transom Jointing.....	E45-E47
Drainage.....	E48-E49
Locking Hardware.....	E50-E61
Sash Reinforcement.....	E62
Adjustable Jamb.....	E63
Hinge Location Details.....	E64-E65
DV32/DV38 Preparation.....	E66
ACDV385 Guide.....	E67
Weather Seals.....	E68-E69
Glazing.....	E70-E74
Glass Adjuster Kit.....	E75
Magnetic Catch.....	E76-E77
PAS24 Details.....	E78
ACDV291 Restrictor.....	E79-E80
90° Corner Assembly Post.....	E81



Corner Preparation



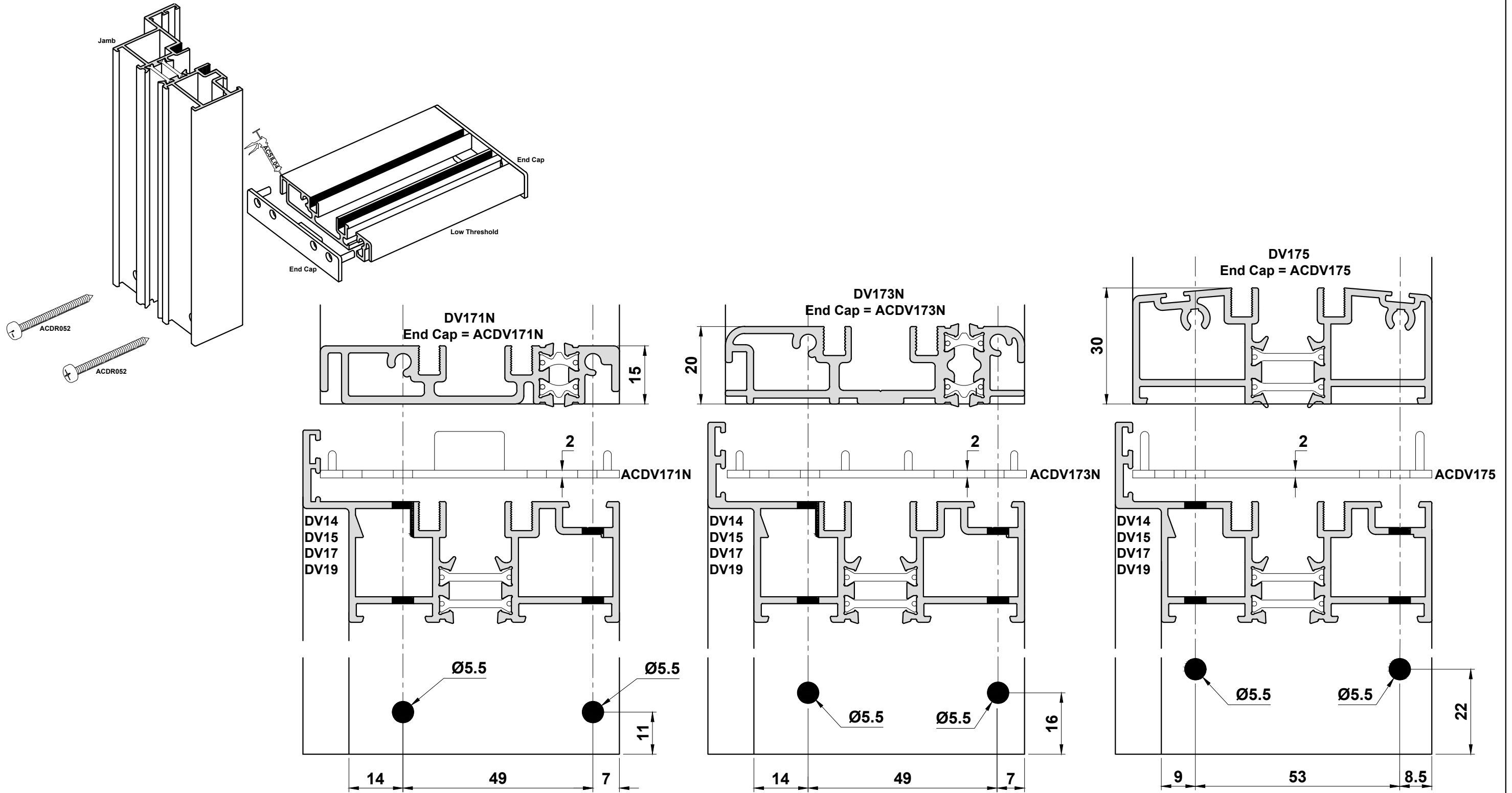
Notes

1. Degrease mitre sections
2. Cover mitred faces with ACSIL04
3. Apply ACSIL013 to cleat chamber
4. Apply ACSIL04 to any fractures formed by crimping to make watertight

APPLY GLUE (ACSIL013) TO CLEAT APERTURE MARKED *

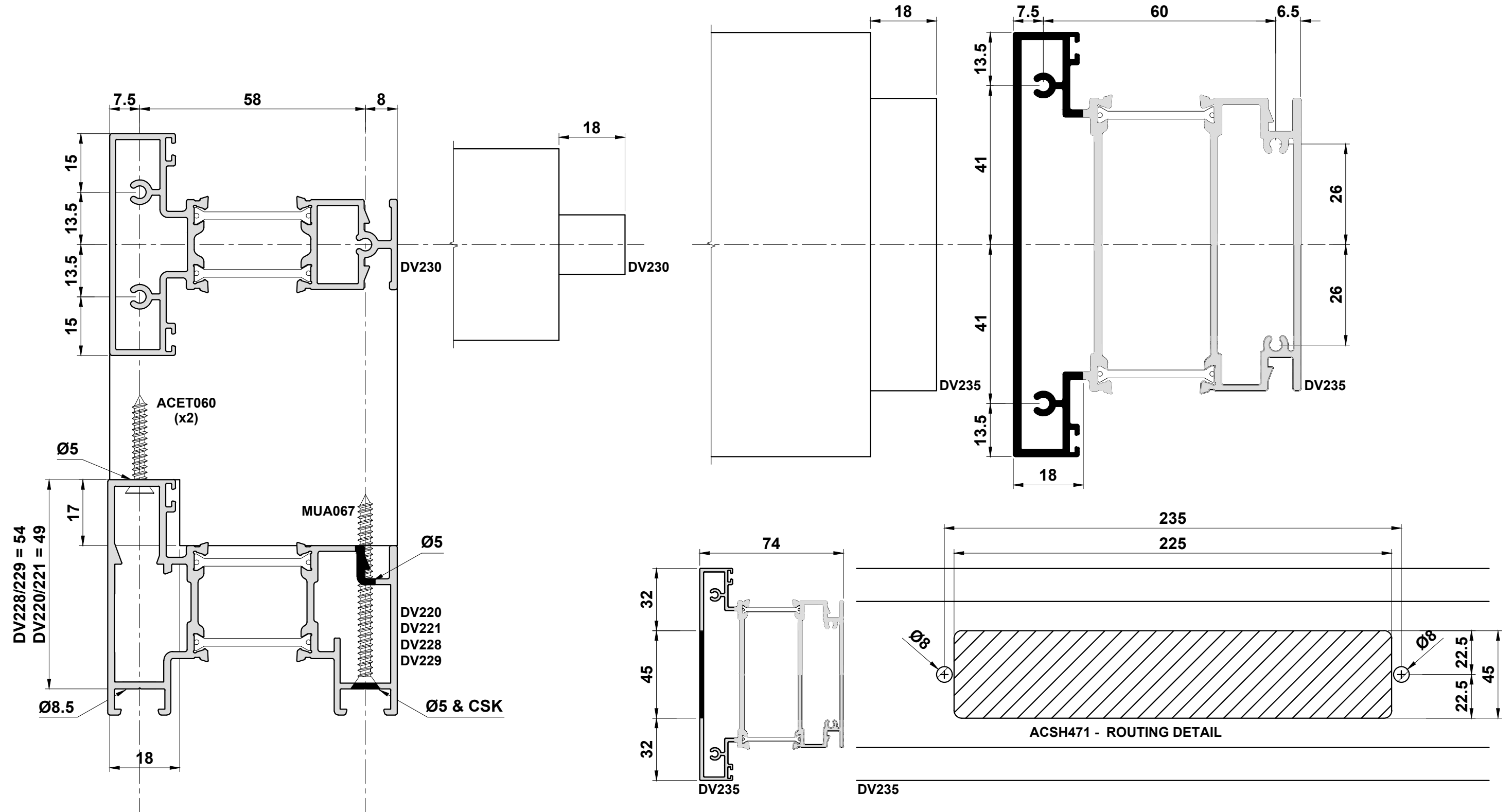
Do Not Scale From This Drawing

Low Threshold Preparation



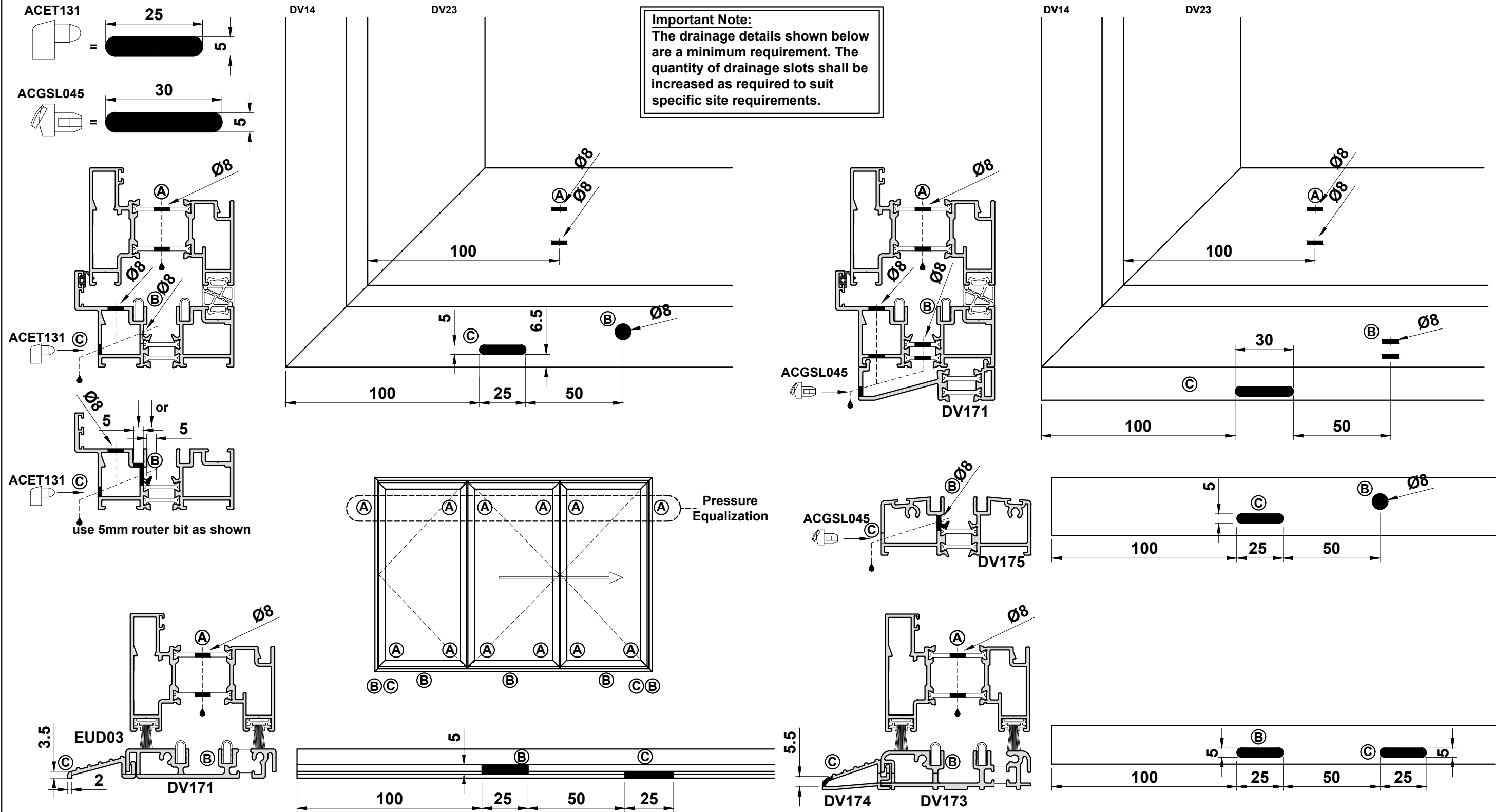
Do Not Scale From This Drawing

DV230 & DV235 Mid-Rail Preparation



Do Not Scale From This Drawing

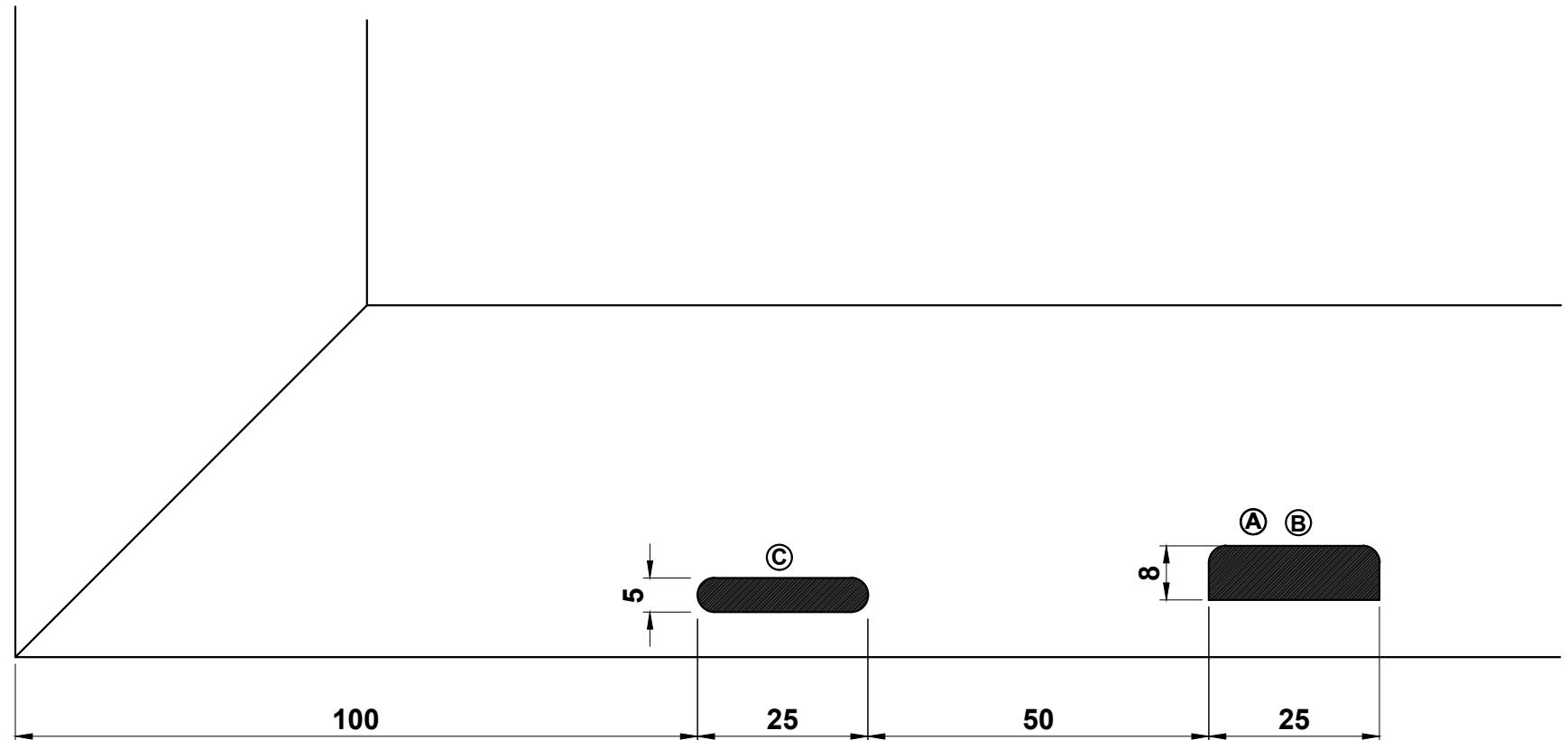
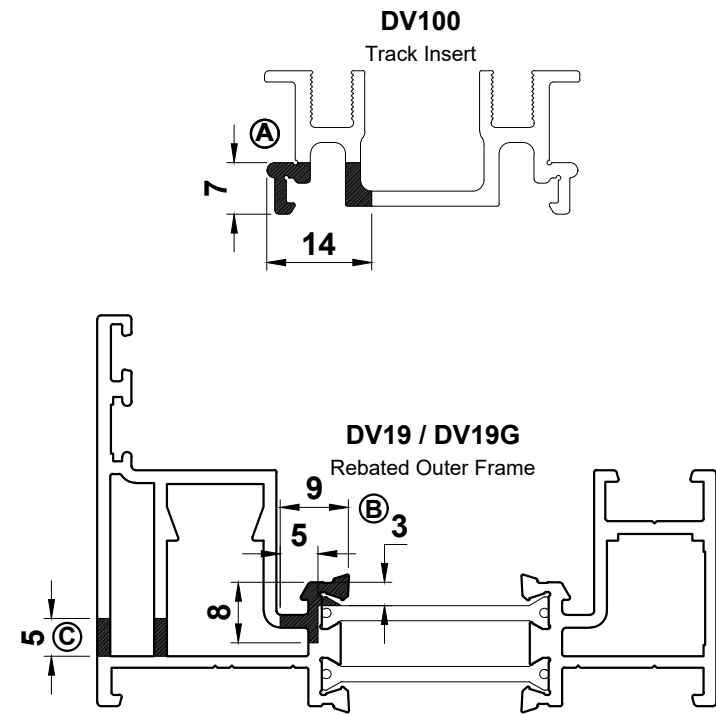
Drainage Details



Do Not Scale From This Drawing

Drainage Details

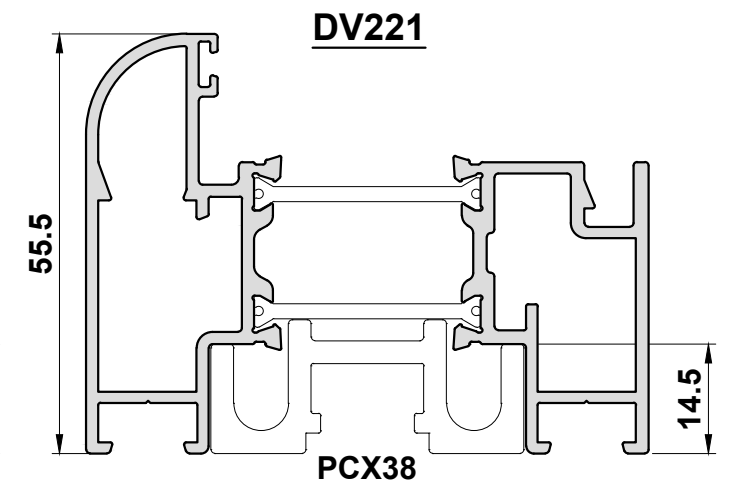
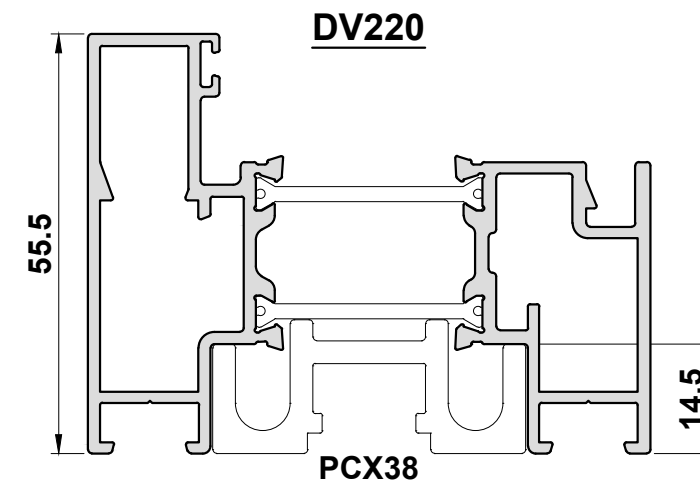
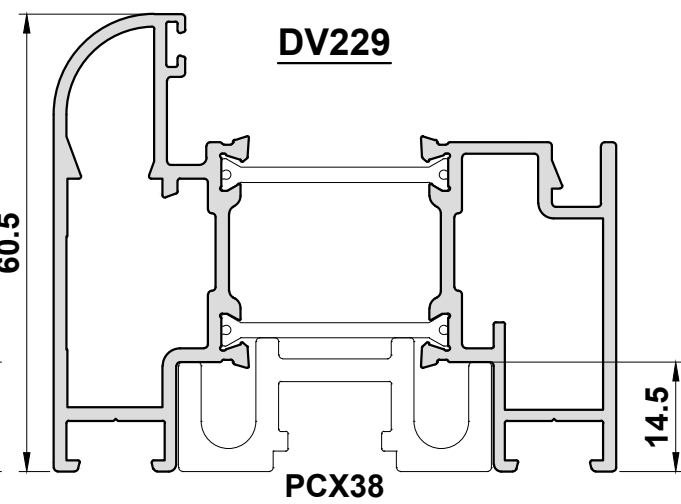
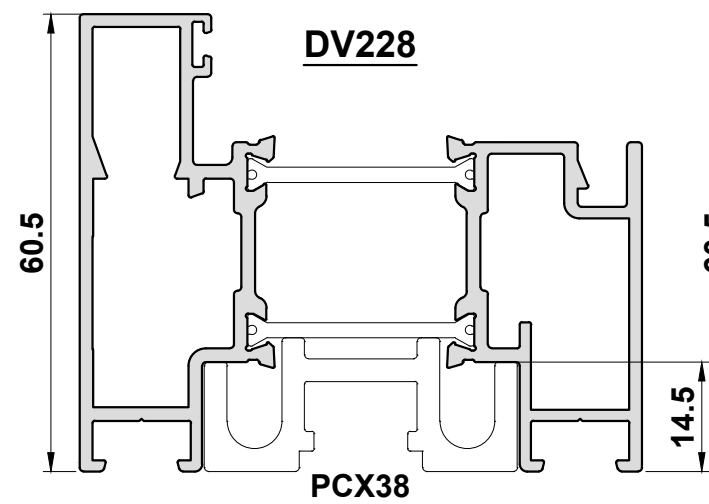
Important Note:
The drainage details shown below are a minimum requirement. The quantity of drainage slots shall be increased as required to suit specific site requirements.



Do Not Scale From This Drawing

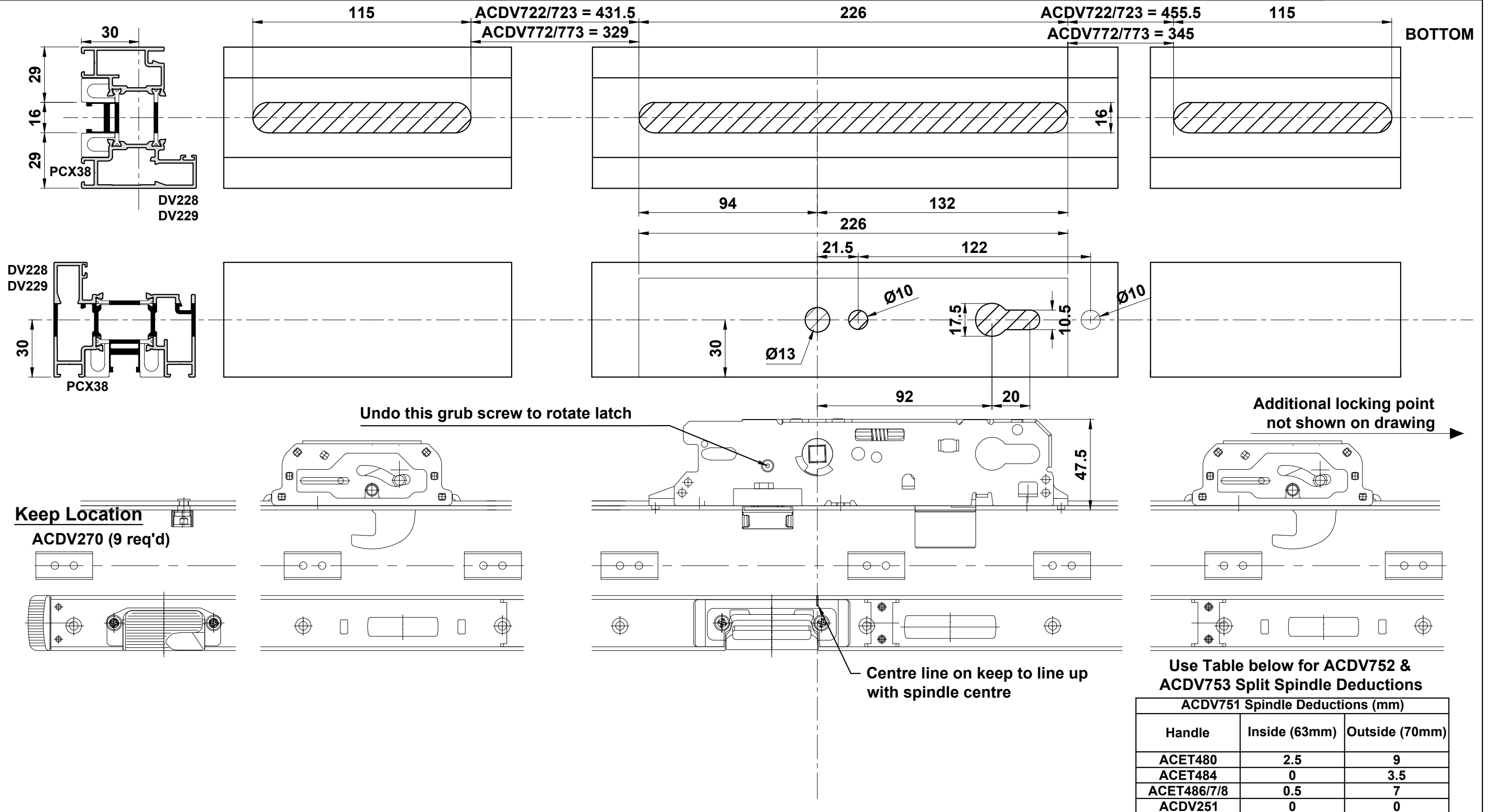
Lock Selection

		Lock Type				
		Standard Primary	Secondary	Split	Key Operated	Short Primary
Sash Profile	DV228	ACDV722 ACDV723	ACDV727 WITH SHOOTBOLTS	ACDV752 ACDV753	ACDV762 ACDV763	ACDV772 ACDV773
	DV229					
	DV220	ACDV576 ACDV577	ACDV745	NOT AVAILABLE		ACDV676 ACDV677
	DV221					



Do Not Scale From This Drawing

Lock Preparation in DV228 & DV229 with ACDV251 Handle



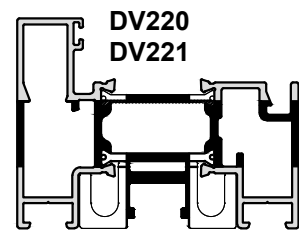
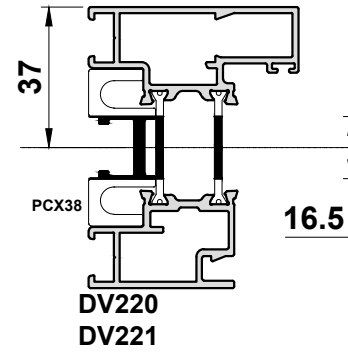
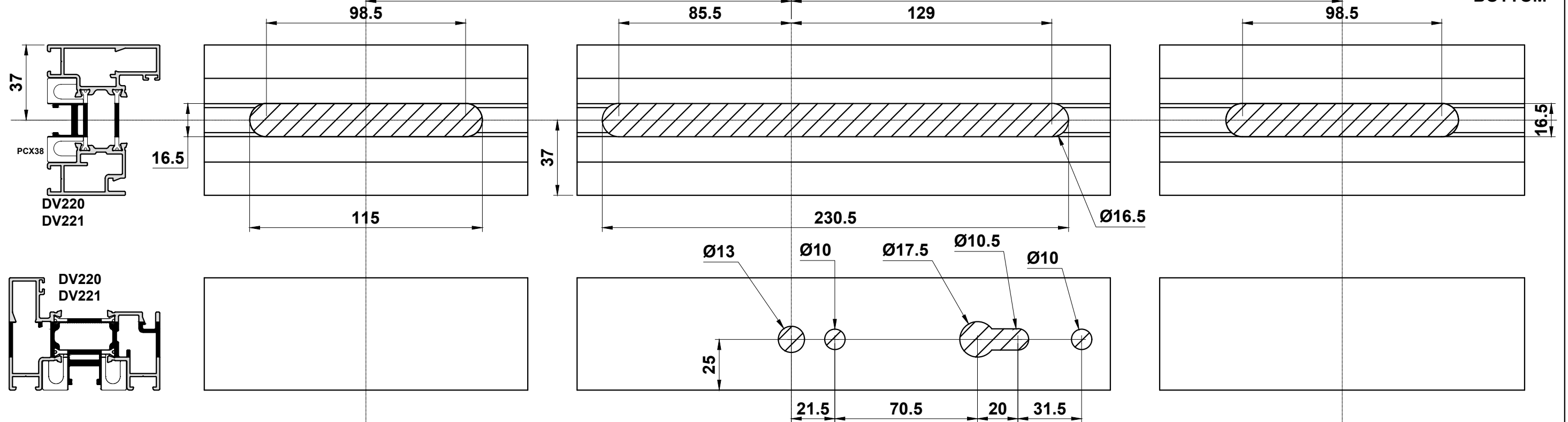
Do Not Scale From This Drawing

ACDV576/ACDV577 Preparation DV220 & DV221 with ACDV251 Handle

ACDV576 / 577 = 583
ACDV676 / 677 = 480

ACDV576 / 577 = 645
ACDV676 / 677 = 535

BOTTOM



Important Note:
Fix PCX38 to Sash Polyamide using ACET290 before machining

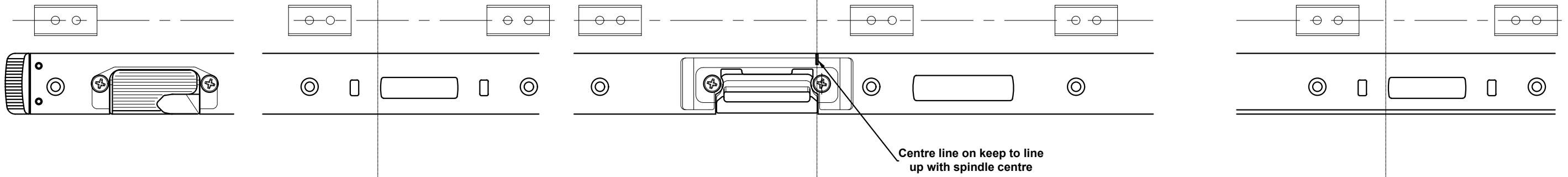
Undo this grub screw to rotate latch

Where used with Secondary Door Lock ACDV745, Handle height needs to be 1020mm

Additional locking point not shown on drawing

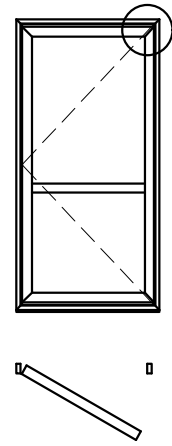
Keep Location

ACDV241 or ACDV623 (9 req'd)

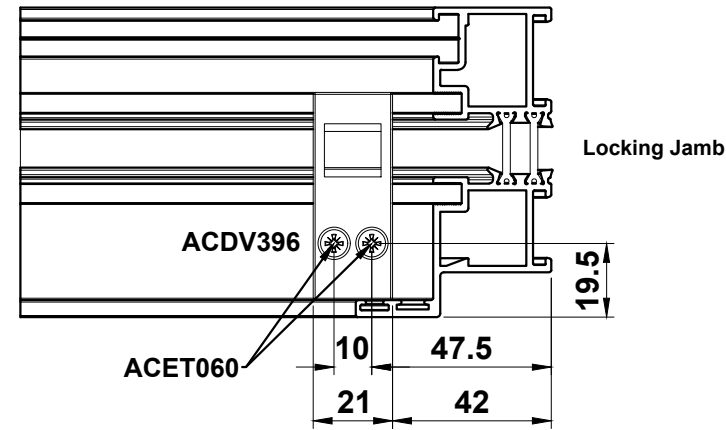


Do Not Scale From This Drawing

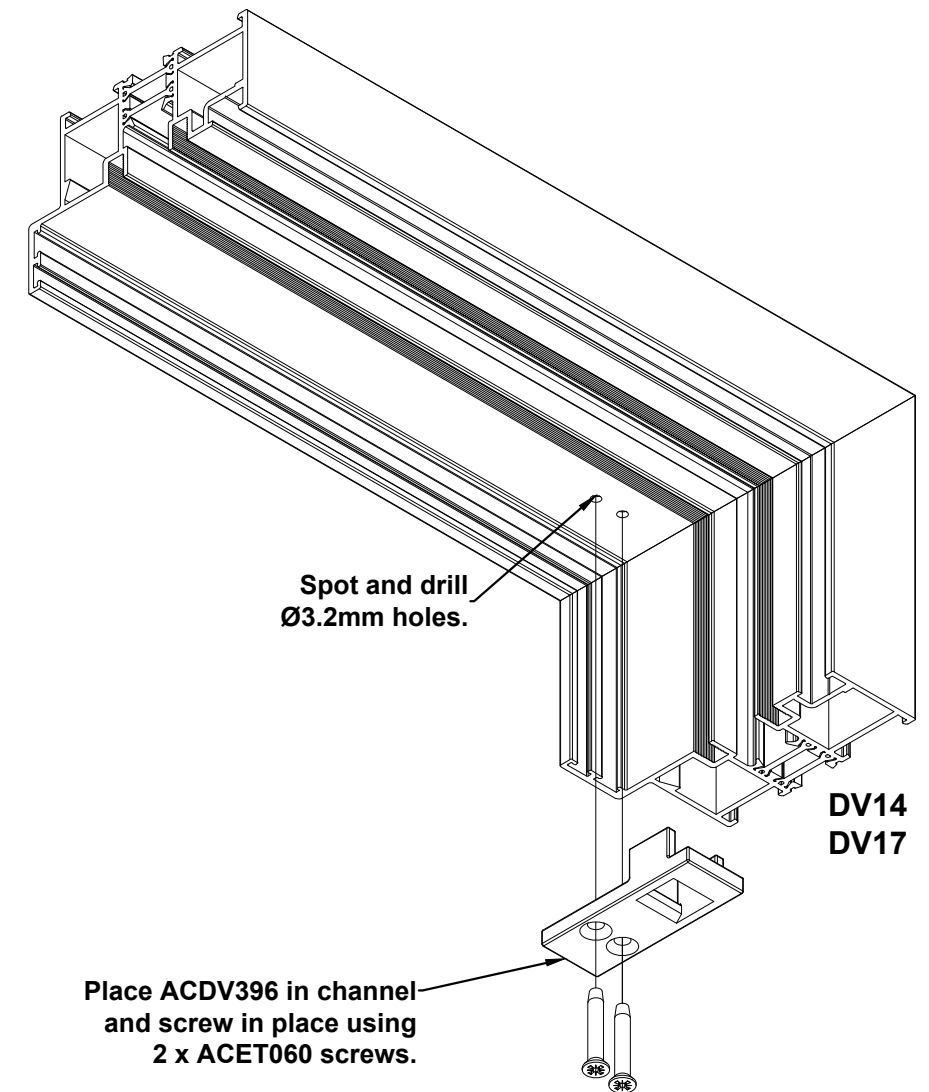
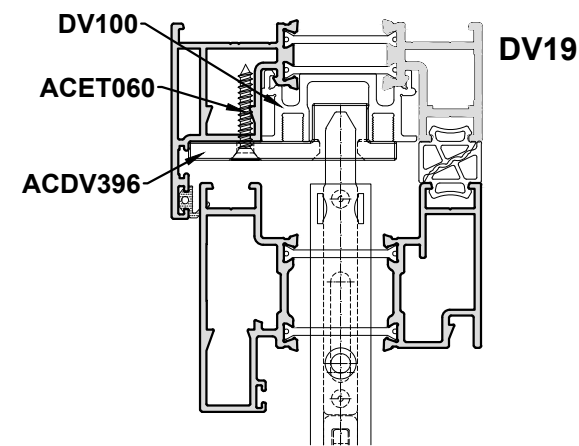
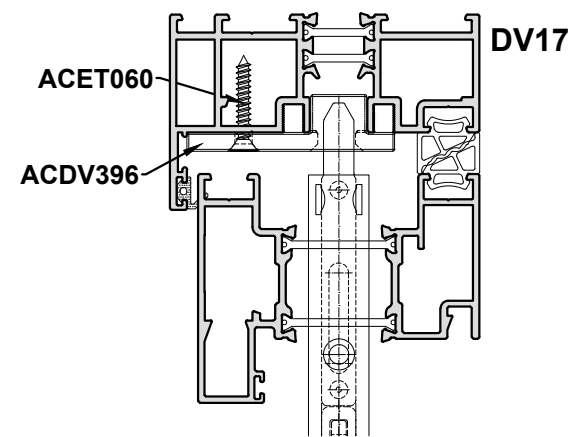
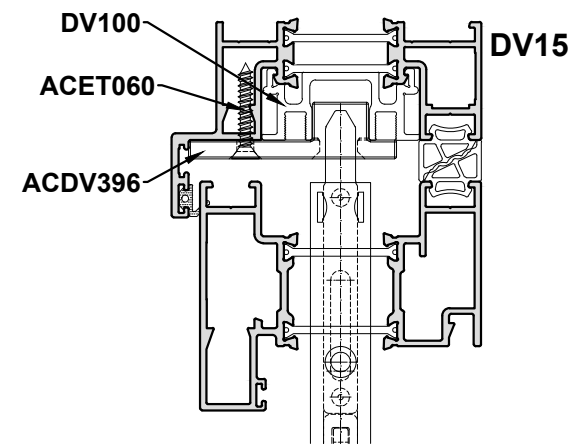
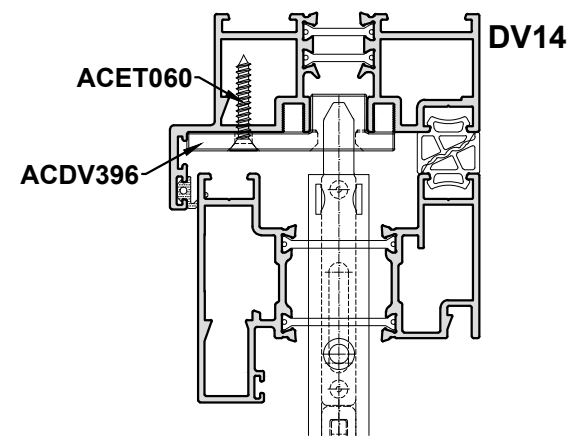
ACDV396 Shootbolt Keep Detail for Single Doors



Viewed from Bottom

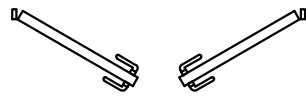
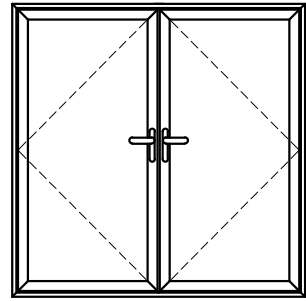


It is recommended that ACDV396 keep to be installed in the head of doors where Sash Height exceeds 2300mm.

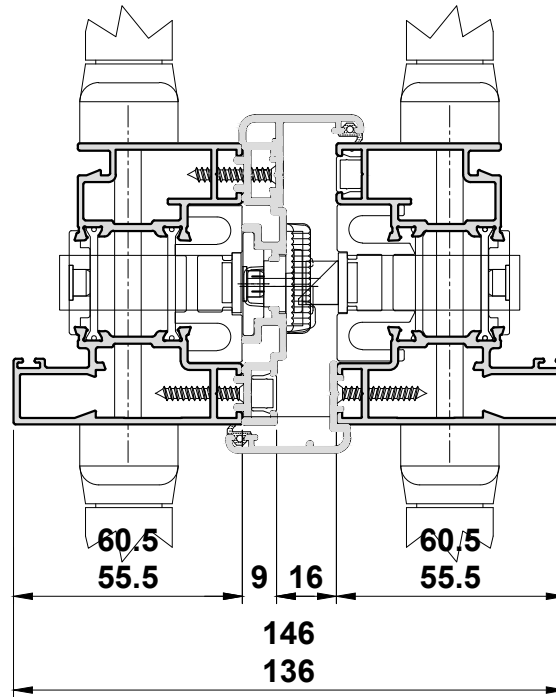


Do Not Scale From This Drawing

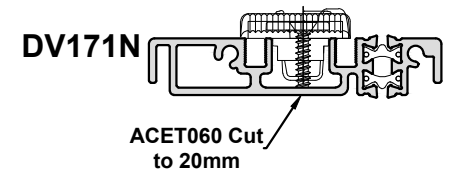
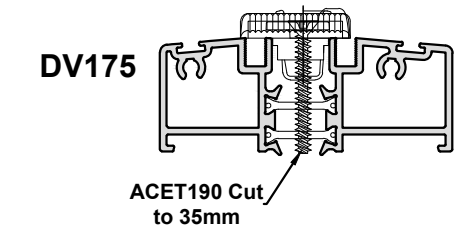
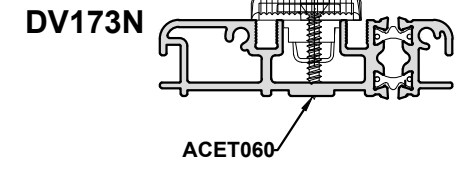
Lever/Lever Handles to Primary & Secondary Leaf



PLEASE REFER TO PAGE E07 FOR LOCK & LOCK PACKER COMPATIBILITY

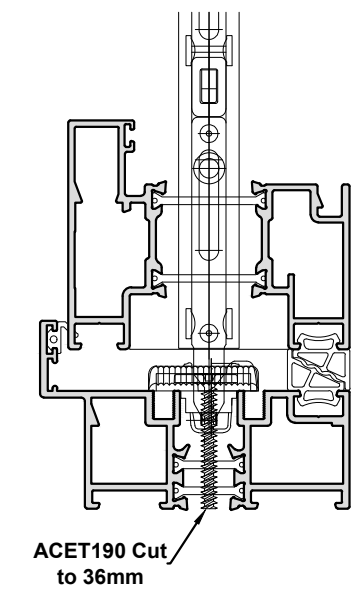
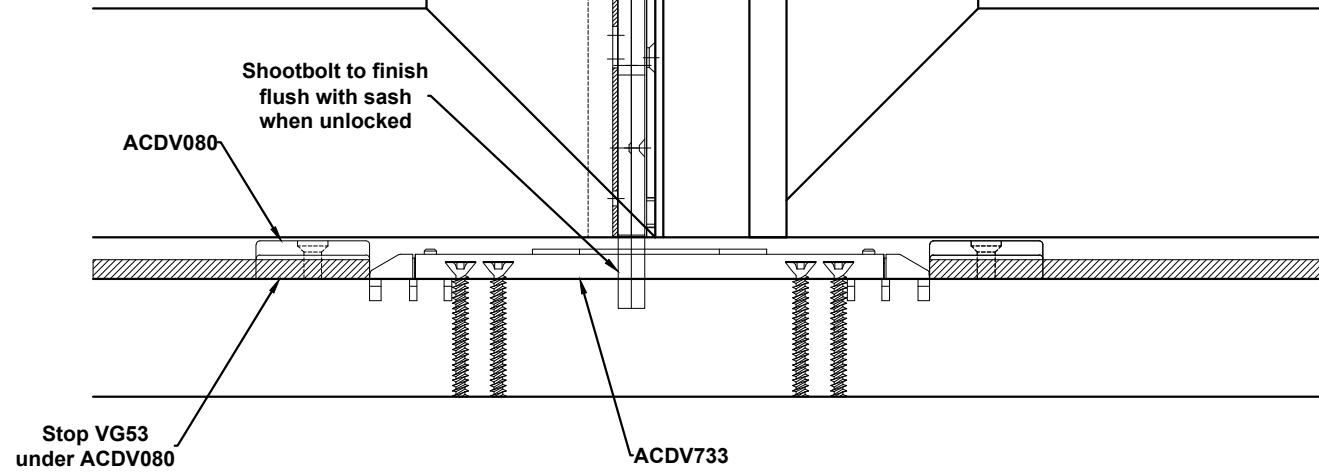
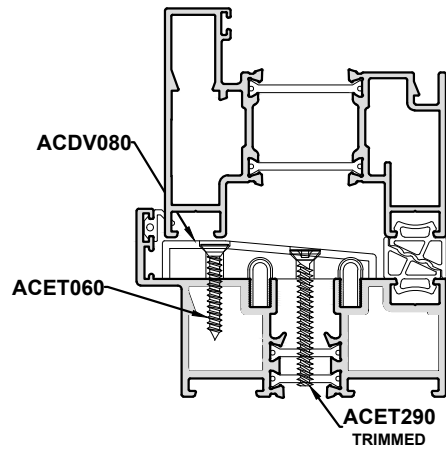


DV75 is also compatible with DV173N, DV175 & DV171N



ACDV733 KEEP CAN BE USED WITH ACDV727 & ACDV745

ACDV733 KEEP CAN BE USED WITH ACDV727 & ACDV745

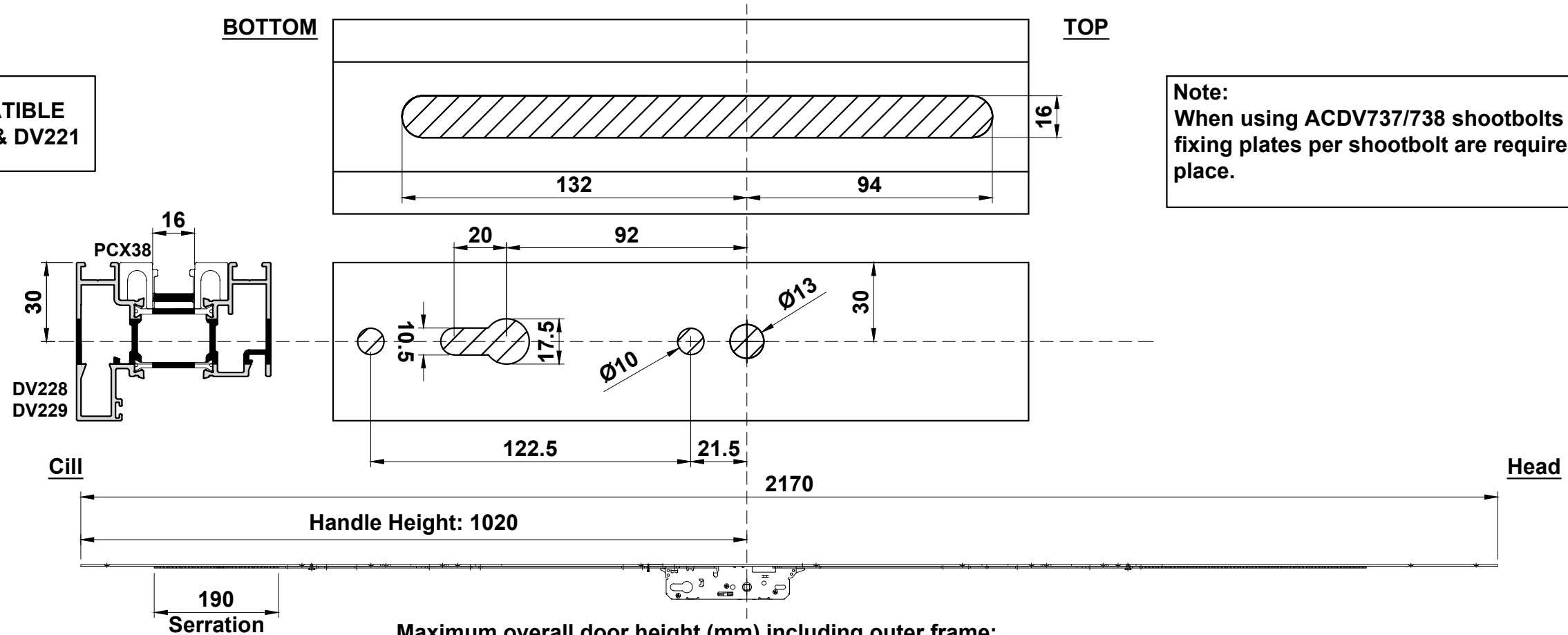


Do Not Scale From This Drawing

ACDV727 Preparation with ACDV251 Handle

NOT COMPATIBLE WITH DV220 & DV221

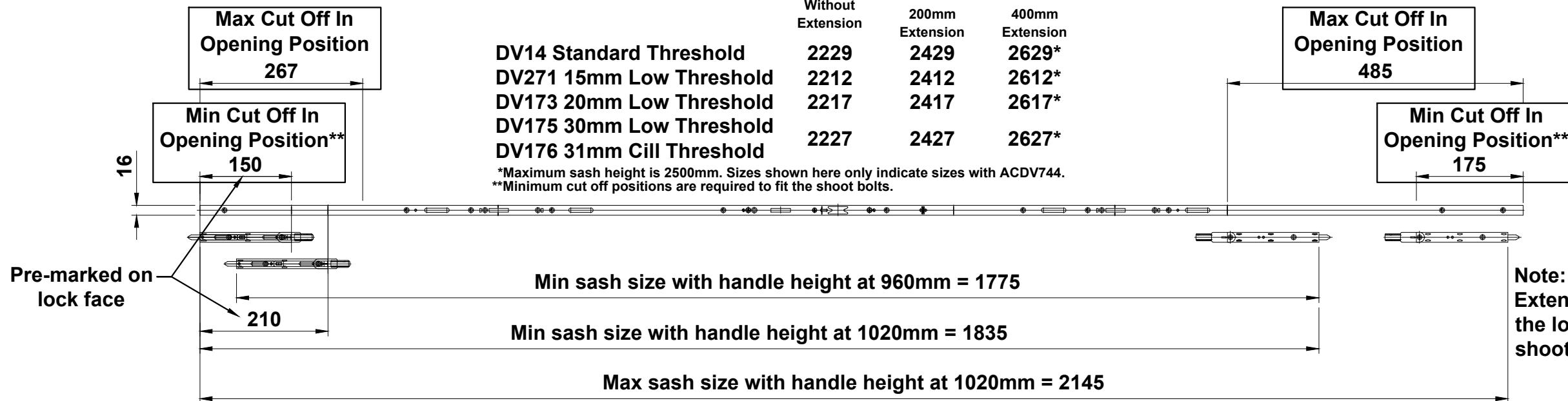
Note:
When using ACDV737/738 shootbolts an additional 2 x fixing plates per shootbolt are required to secure in place.



Maximum overall door height (mm) including outer frame:

	Without Extension	ACDV742 200mm Extension	ACDV744 400mm Extension
DV14 Standard Threshold	2229	2429	2629*
DV271 15mm Low Threshold	2212	2412	2612*
DV173 20mm Low Threshold	2217	2417	2617*
DV175 30mm Low Threshold	2227	2427	2627*
DV176 31mm Cill Threshold	2227	2427	2627*

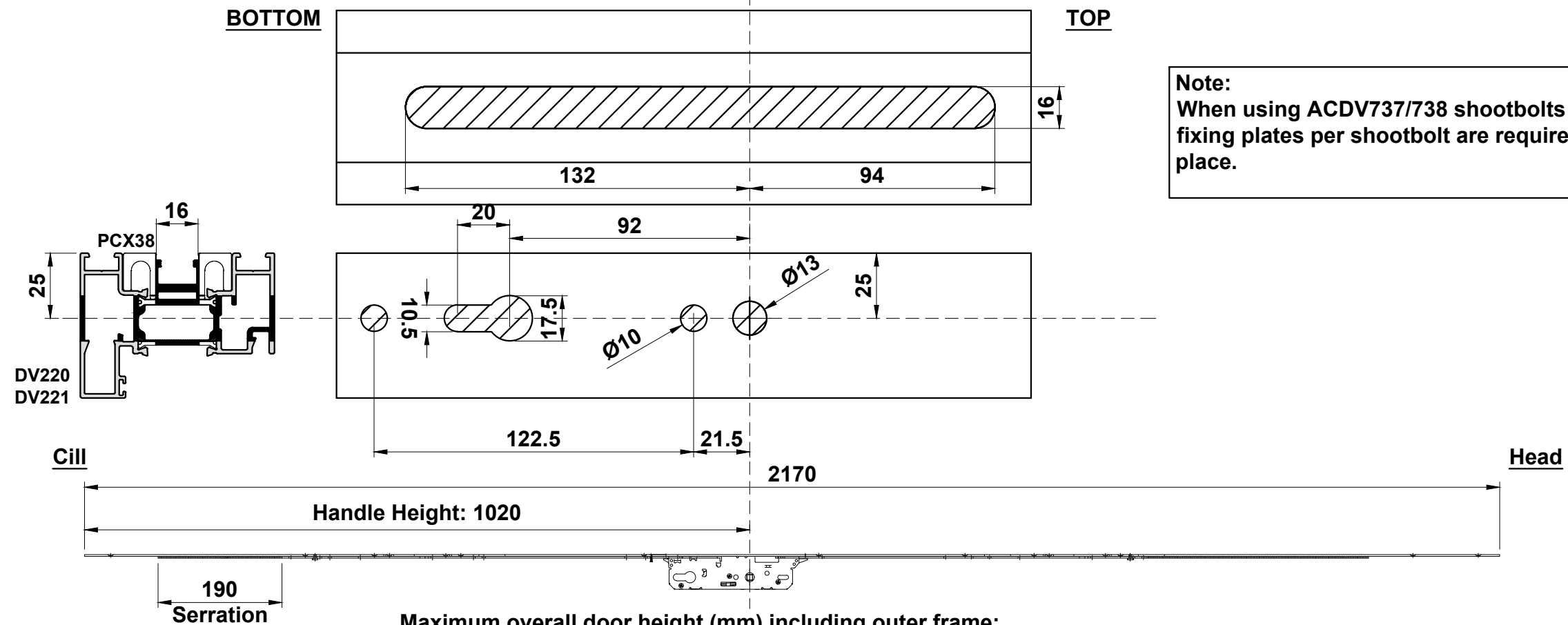
*Maximum sash height is 2500mm. Sizes shown here only indicate sizes with ACDV744.
**Minimum cut off positions are required to fit the shoot bolts.



Note:
Extensions are fitted between the lock and ACDV738 shoot bolt.

Do Not Scale From This Drawing

ACDV745 Secondary Door Lock in DV220 / DV221

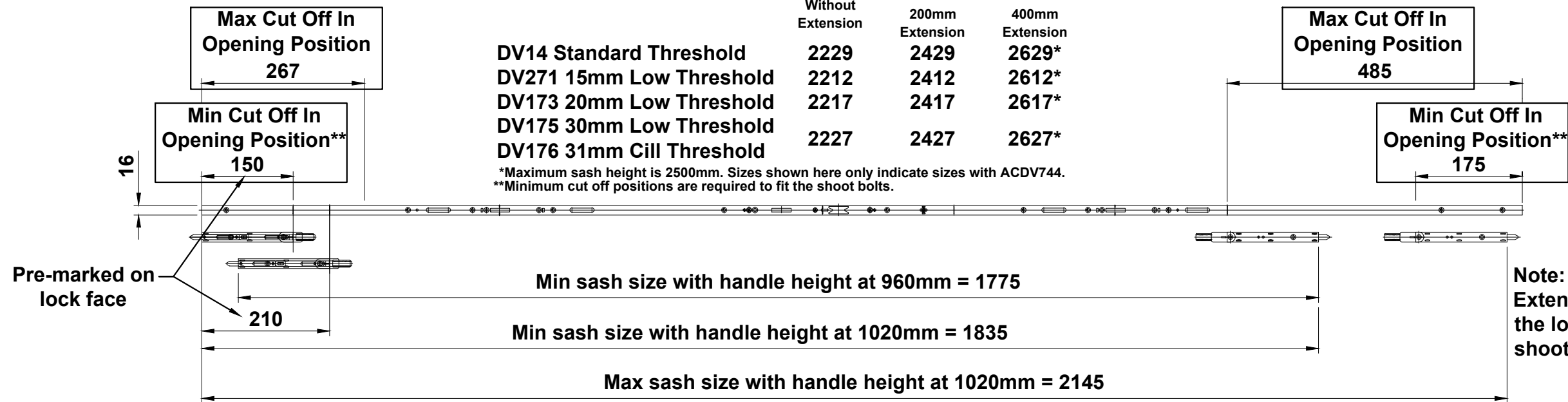


Note:
When using ACDV737/738 shootbolts an additional 2 x fixing plates per shootbolt are required to secure in place.

Maximum overall door height (mm) including outer frame:

	Without Extension	ACDV742 200mm Extension	ACDV744 400mm Extension
DV14 Standard Threshold	2229	2429	2629*
DV271 15mm Low Threshold	2212	2412	2612*
DV173 20mm Low Threshold	2217	2417	2617*
DV175 30mm Low Threshold	2227	2427	2627*
DV176 31mm Cill Threshold	2227	2427	2627*

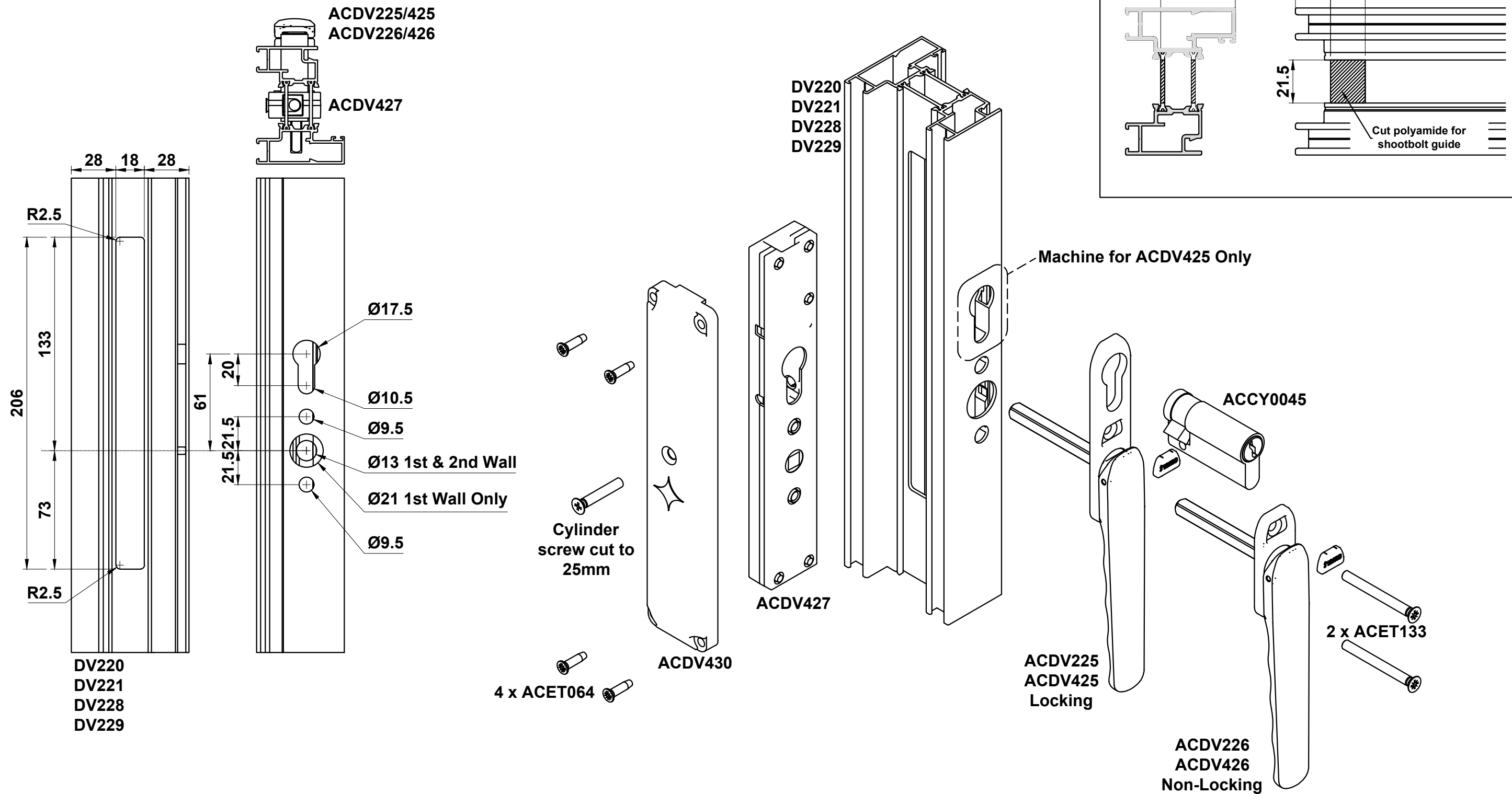
*Maximum sash height is 2500mm. Sizes shown here only indicate sizes with ACDV744.
**Minimum cut off positions are required to fit the shoot bolts.



Note:
Extensions are fitted between the lock and ACDV738 shoot bolt.

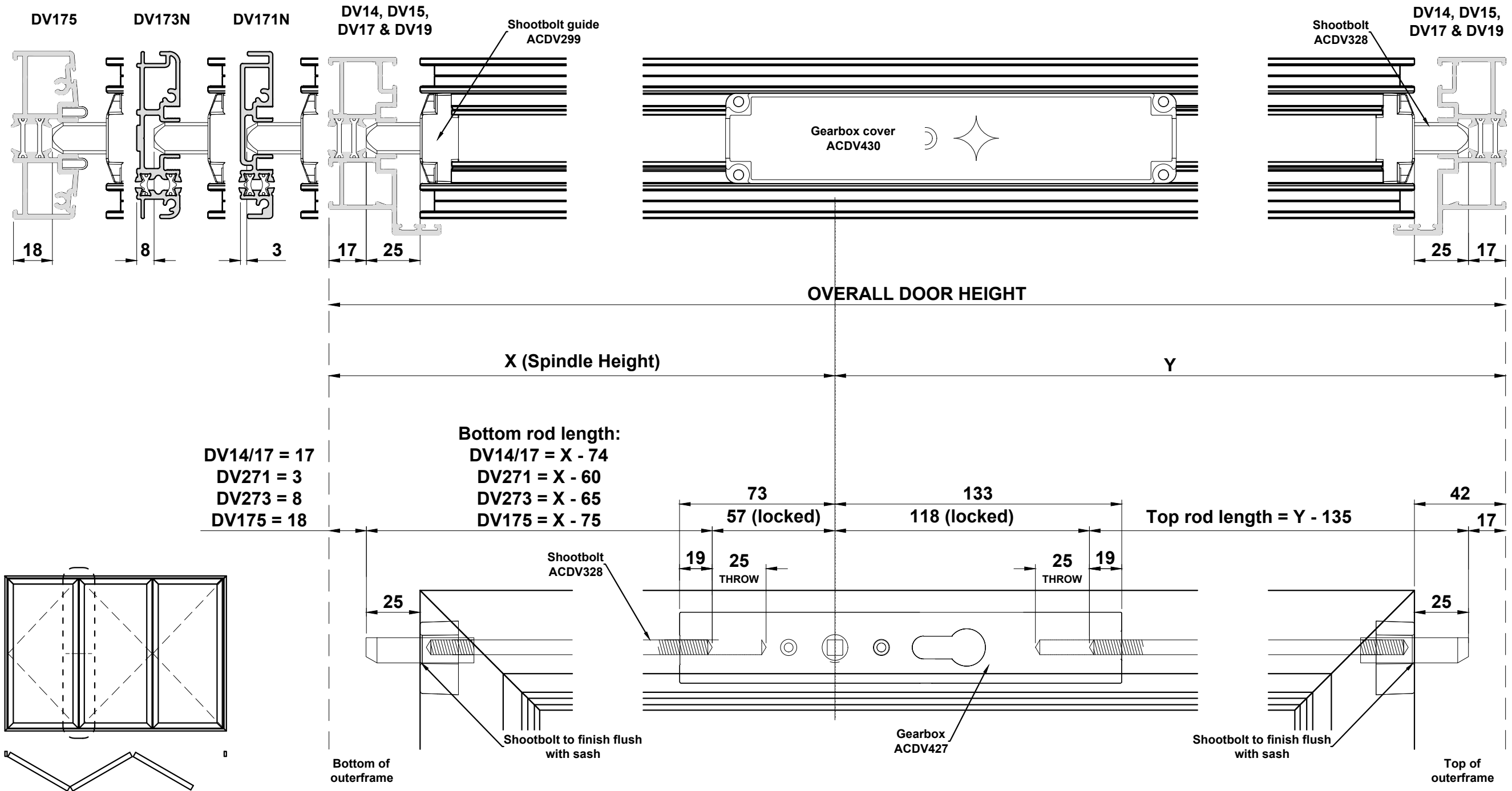
Do Not Scale From This Drawing

ACDV425 Gear Box Details



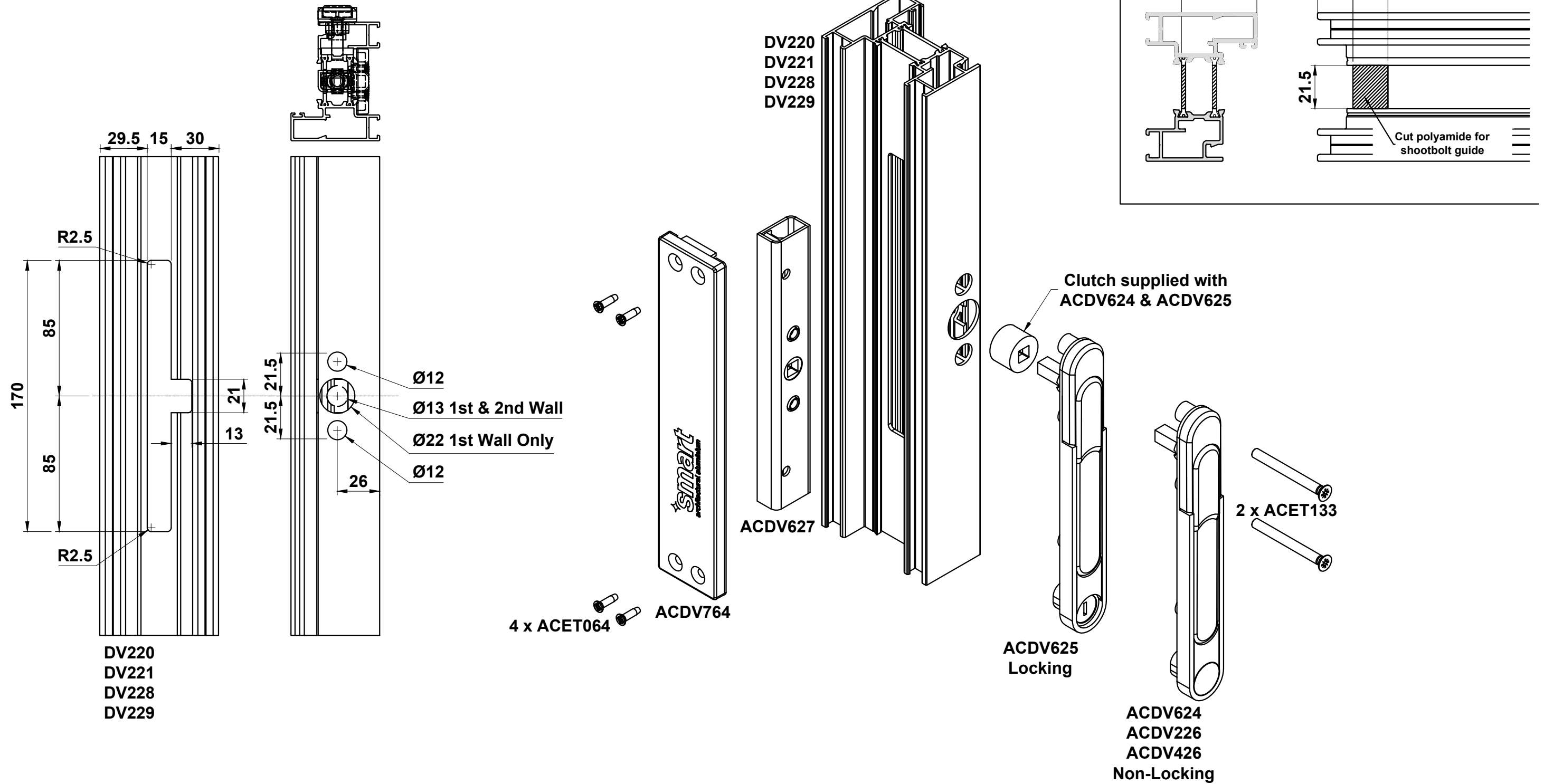
Do Not Scale From This Drawing

ACDV425 Gear Box Details



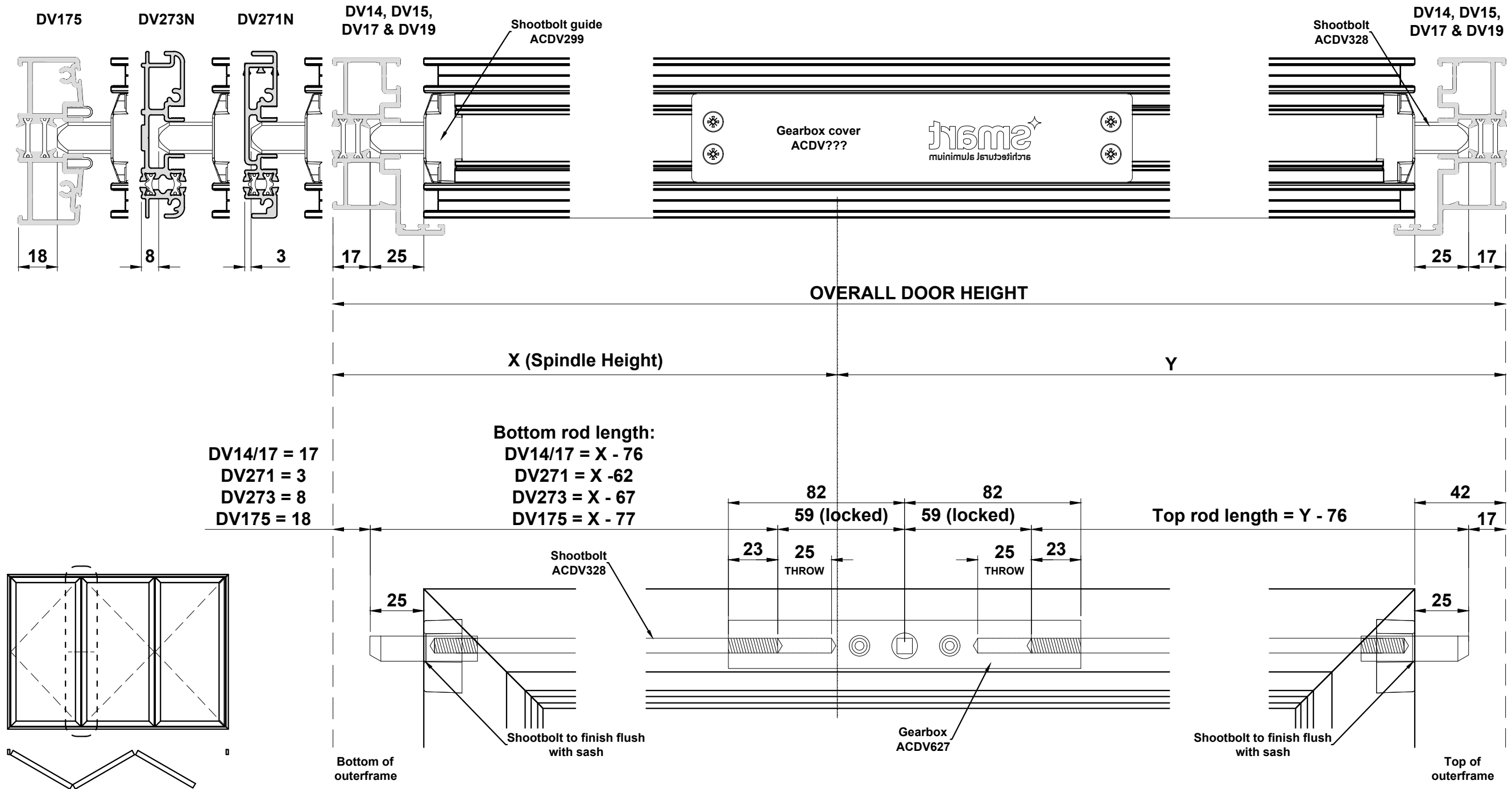
Do Not Scale From This Drawing

ACDV627 Gear Box Details



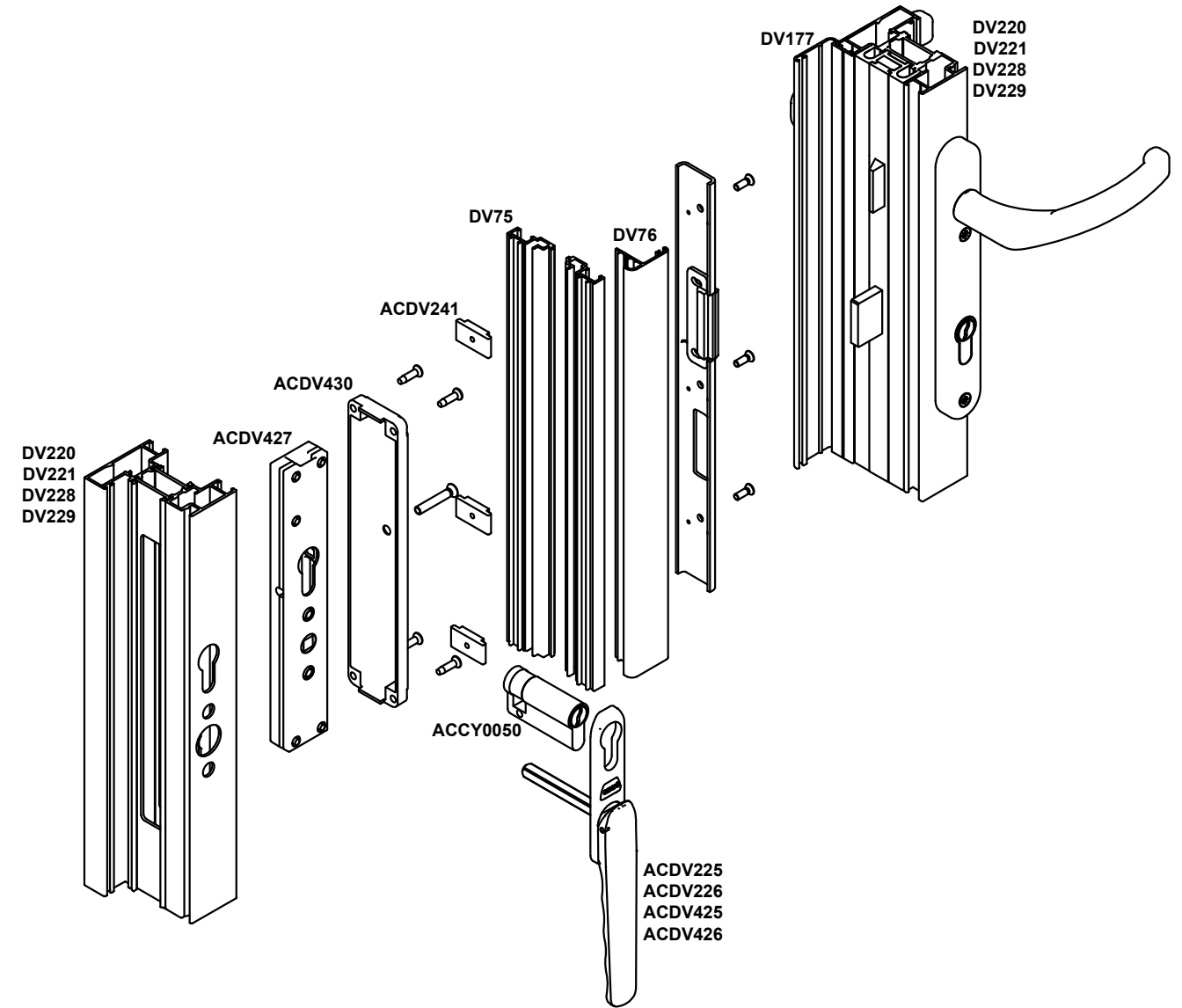
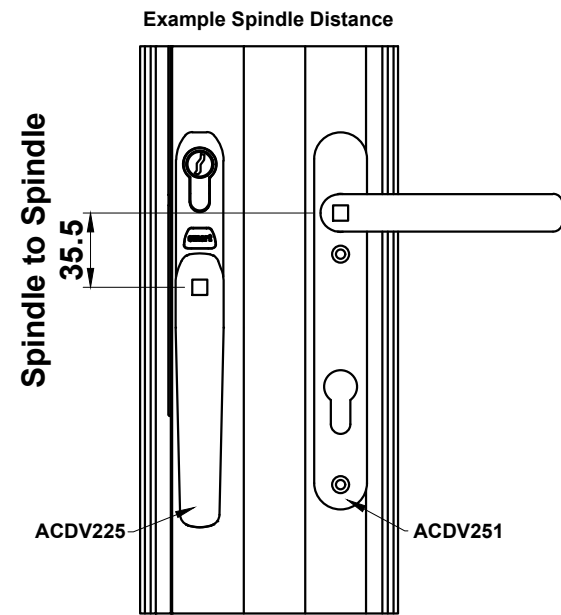
Do Not Scale From This Drawing

ACDV627 Gear Box Details

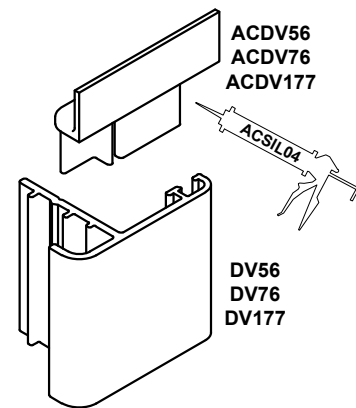
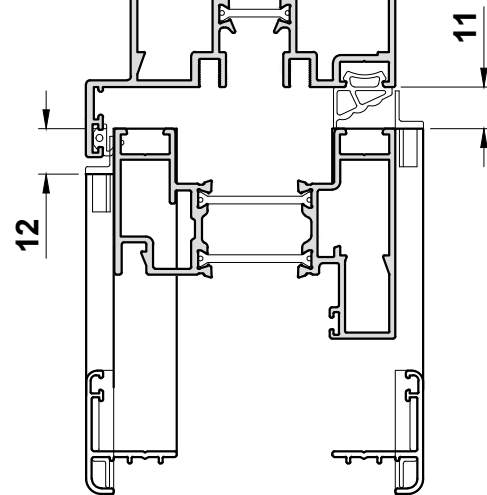
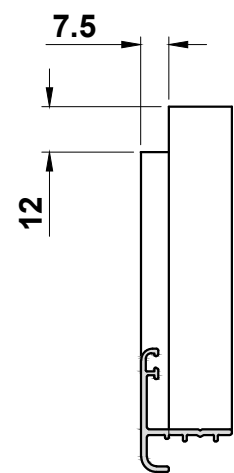


Do Not Scale From This Drawing

Primary Sash Lock & Secondary Sash Keep Preparation

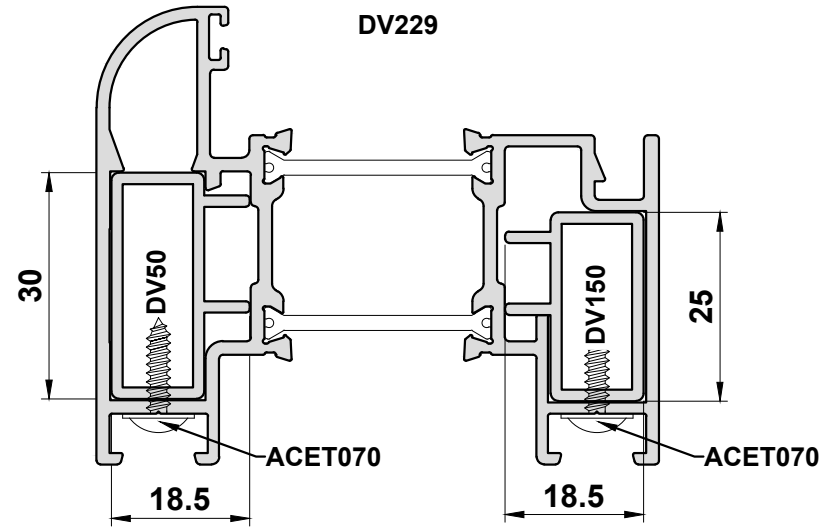
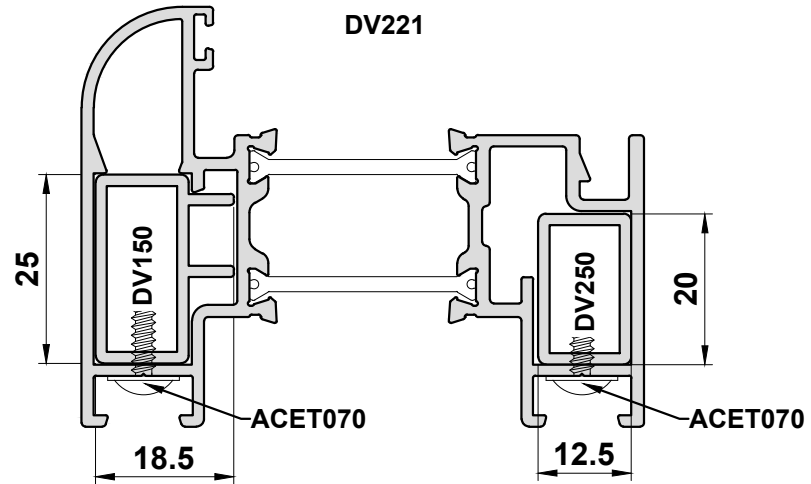
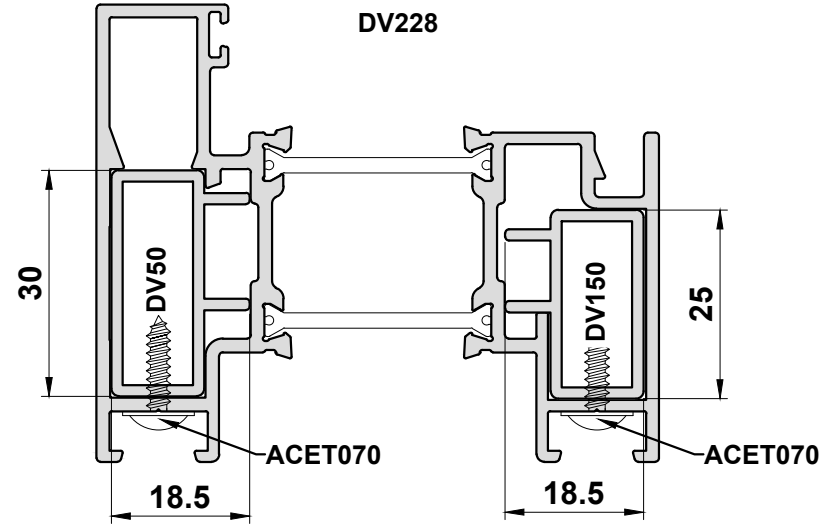
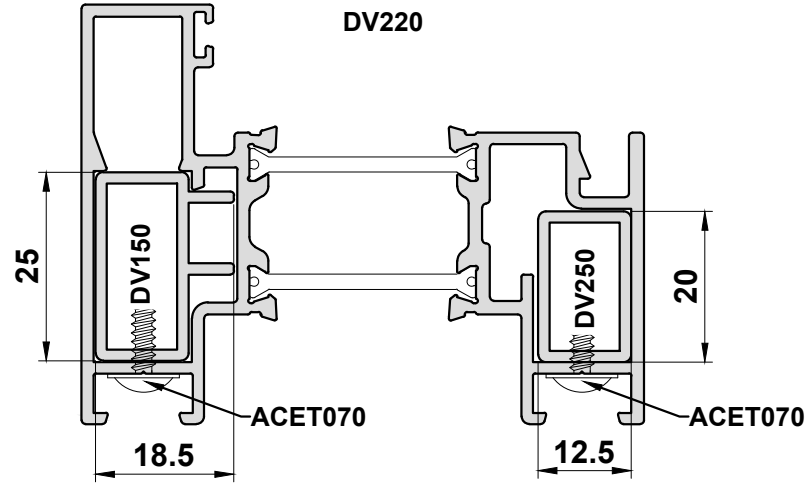


DV56, DV76 & DV177 are cut to sash height and notched where closing against a rebate as shown.



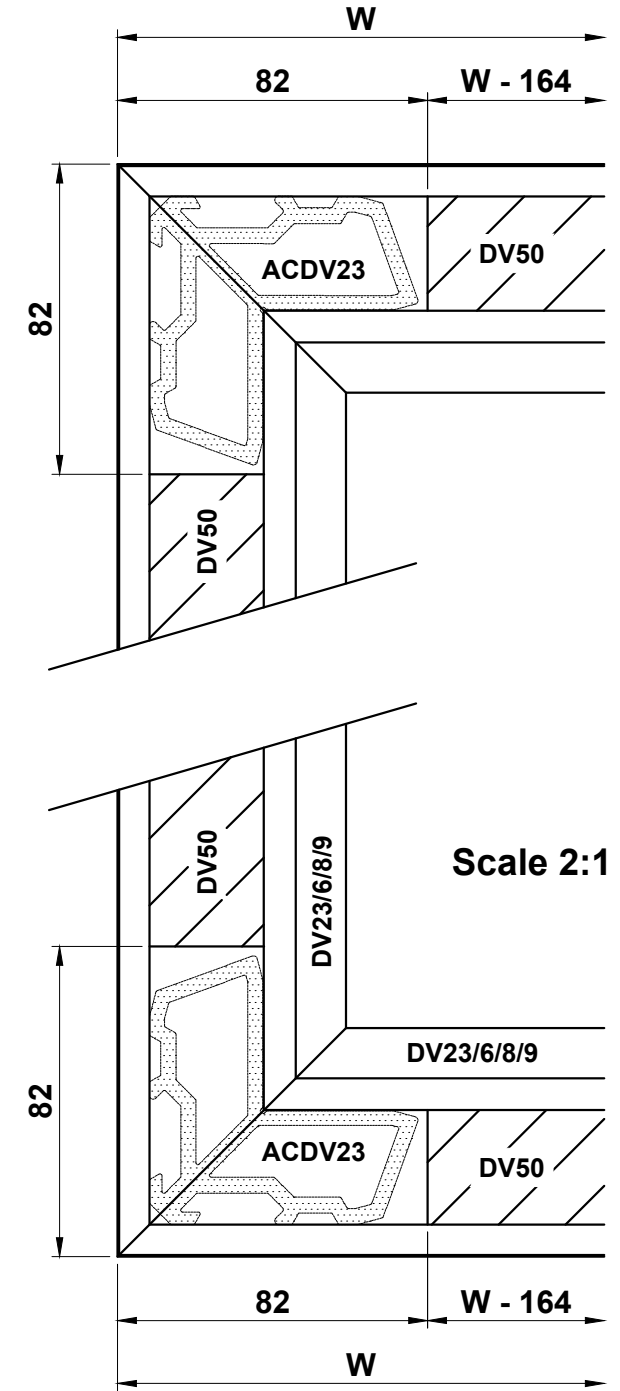
Do Not Scale From This Drawing

Sash Reinforcement



For Sash Ix and Iy values which include DV50, DV150 & DV250, please refer to Section D.

ACET070 Fixed 100mm from each end & at 500mm centres



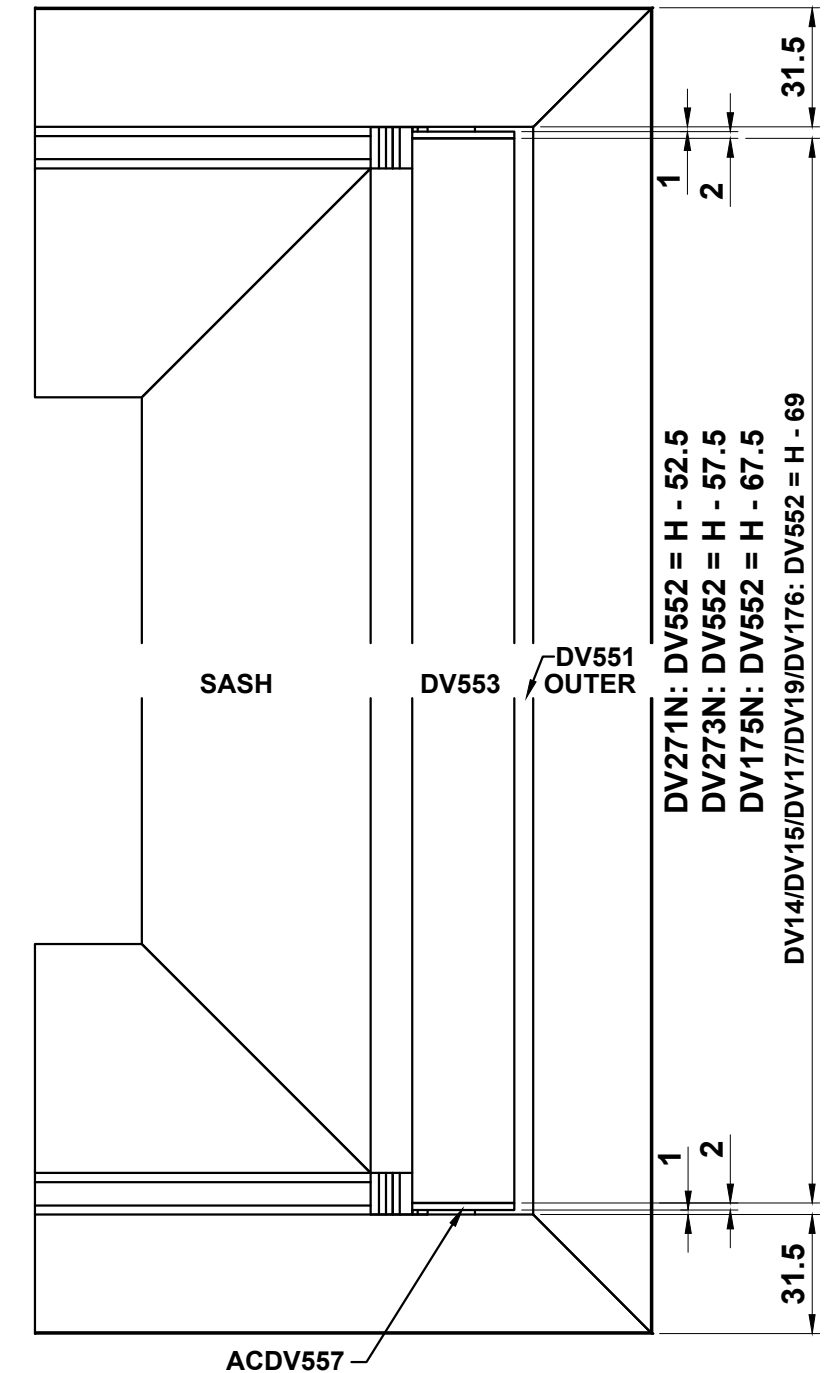
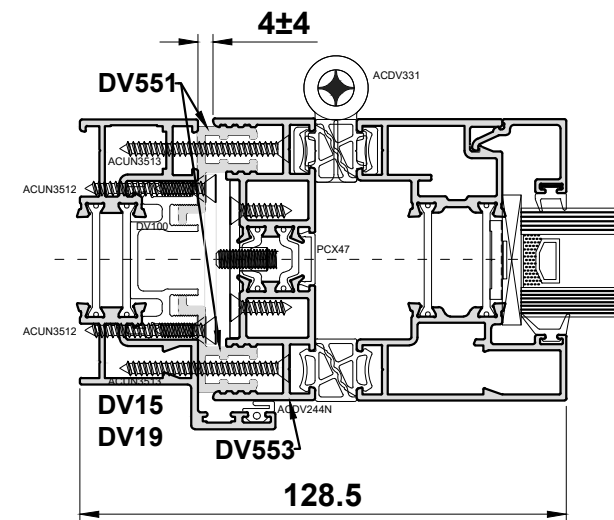
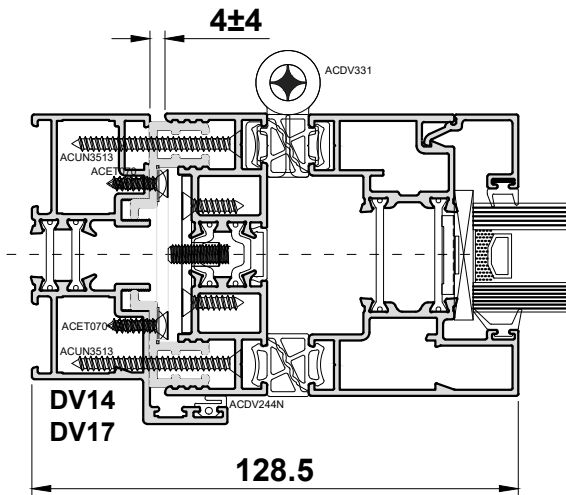
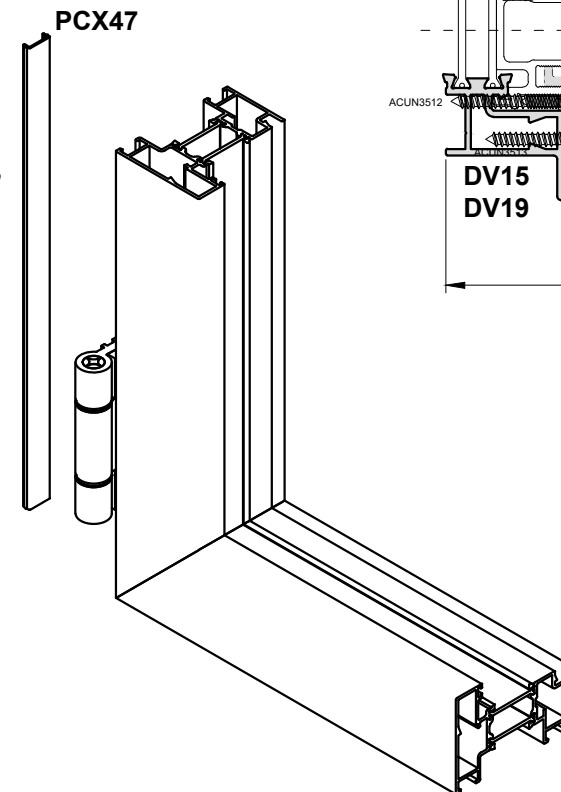
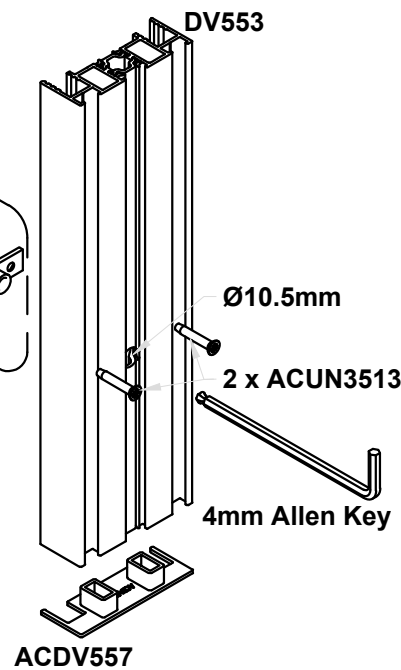
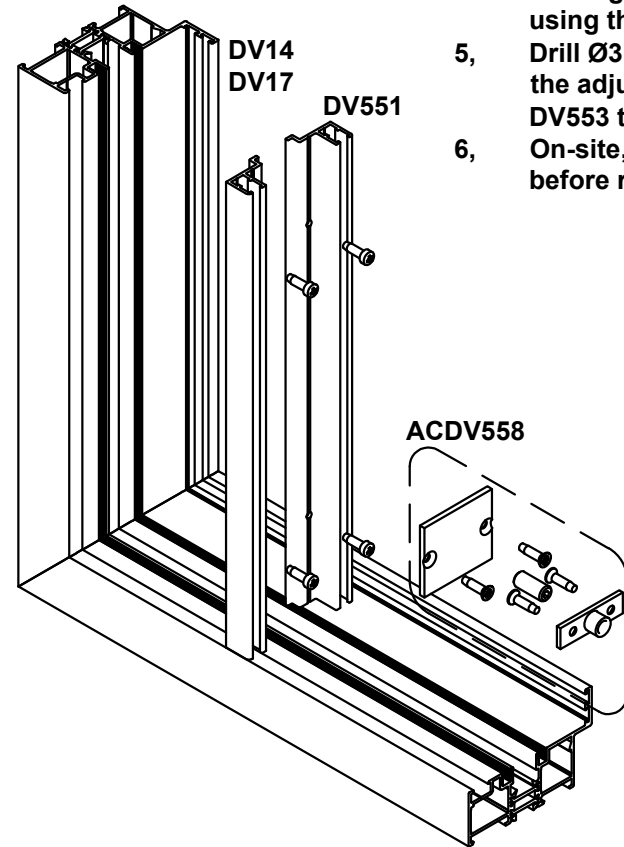
$DV50 / DV150 \text{ Length} = (H \text{ or } W) - 164\text{mm}$

Do Not Scale From This Drawing

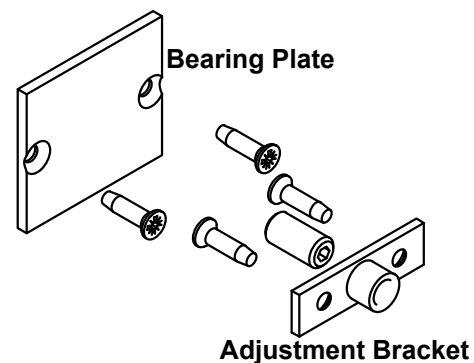
Adjustable Jamb

Assembly Steps:

- 1, Fix both DV551's to the jamb using ACET070 screws at a max. of 100mm from each end and 500mm centres
- 2, Mark & drill DV551 & DV553 for the ACDV558 fixings. 100mm from head & cill, and one to centre
- 3, Secure the bearing plate to both DV551's using the screws supplied
- 4, Drill a Ø10.5mm through the DV553 polyamide in line with the bearing plate and secure the adjustment bracket to both sides using the screws supplied
- 5, Drill Ø3.5mm holes in the DV553 gasket channels to both sides of the adjustment bracket and through DV551. Open the holes in DV553 to Ø5mm, countersink and secure with ACUN3513.
- 6, On-site, loosen the ACUN3513 dead fixing, adjust as required before re-tightening all dead fixings.

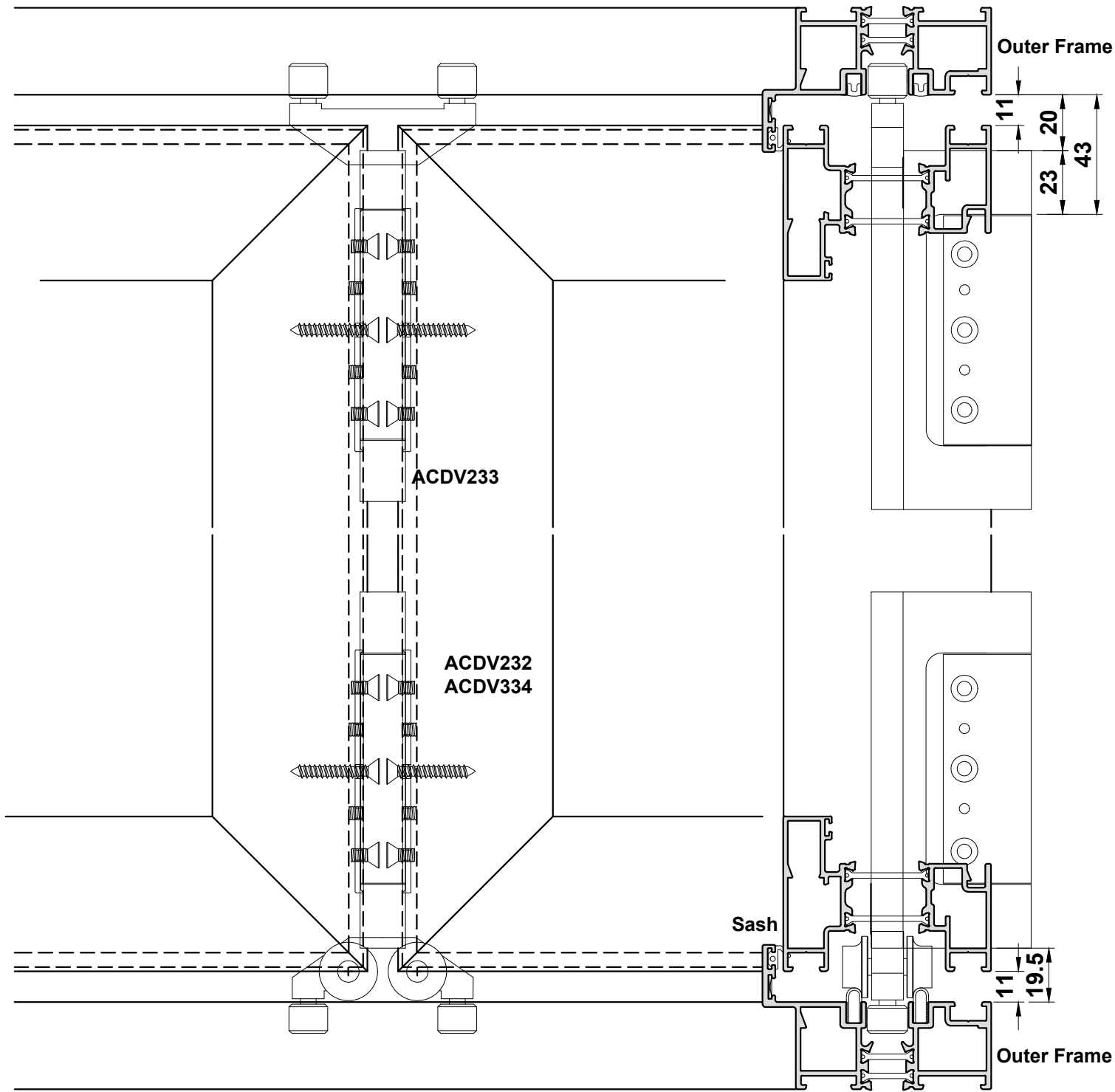


ACDV558



Do Not Scale From This Drawing

Hinge Location Details

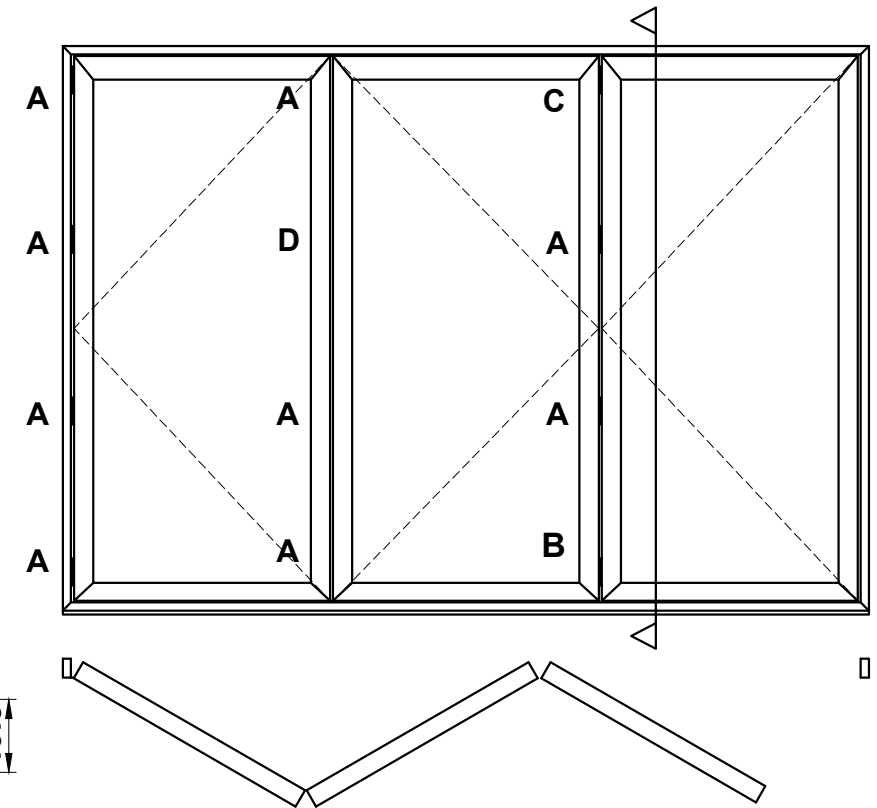
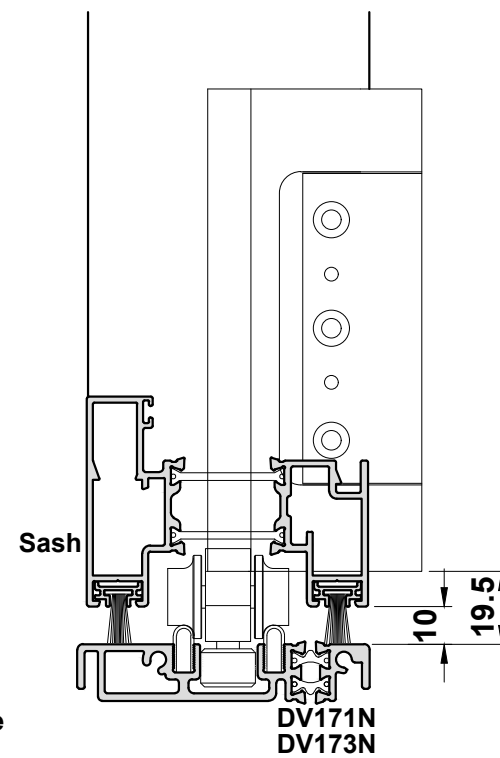
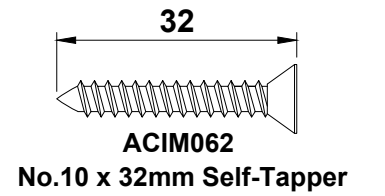


Typical Hinge Layout:

- A = ACDV331 Intermediate Hinge
- B = ACDV232 or ACDV334 Bottom Roller Carrier
- C = ACDV233
- D = ACDV234 'D' Handle Hinge

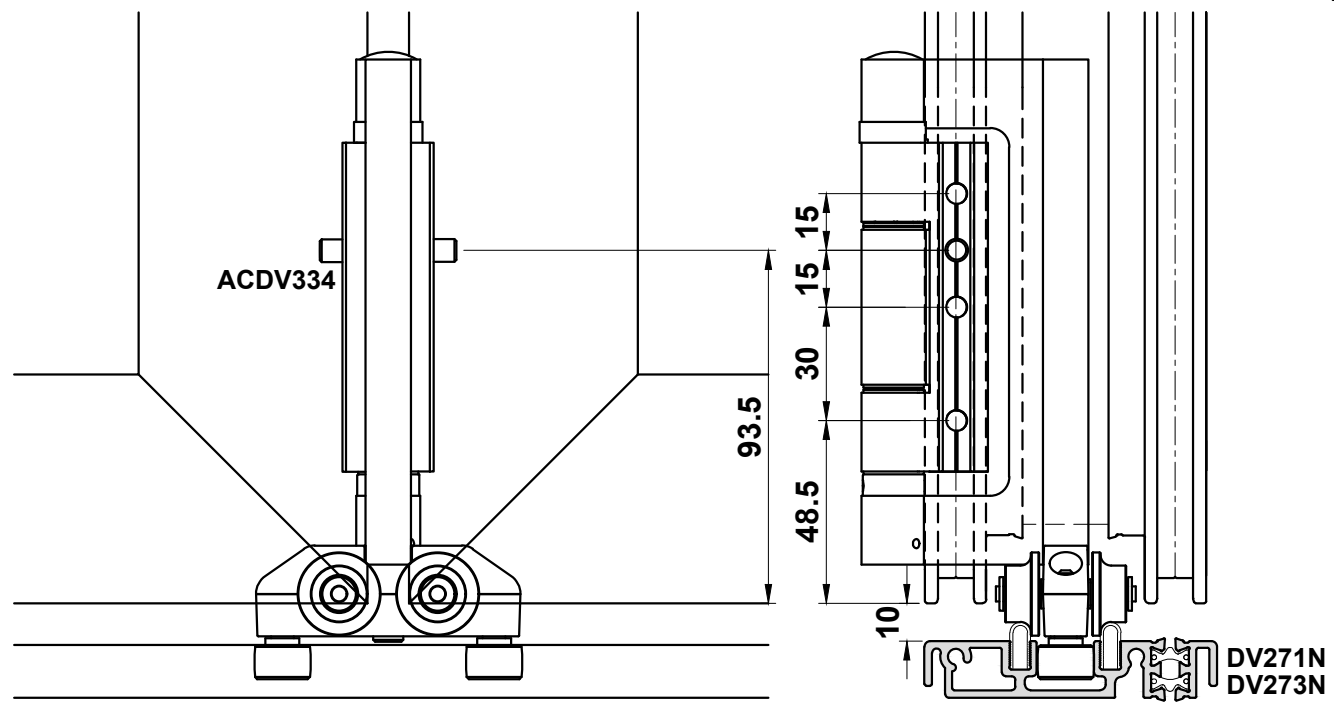
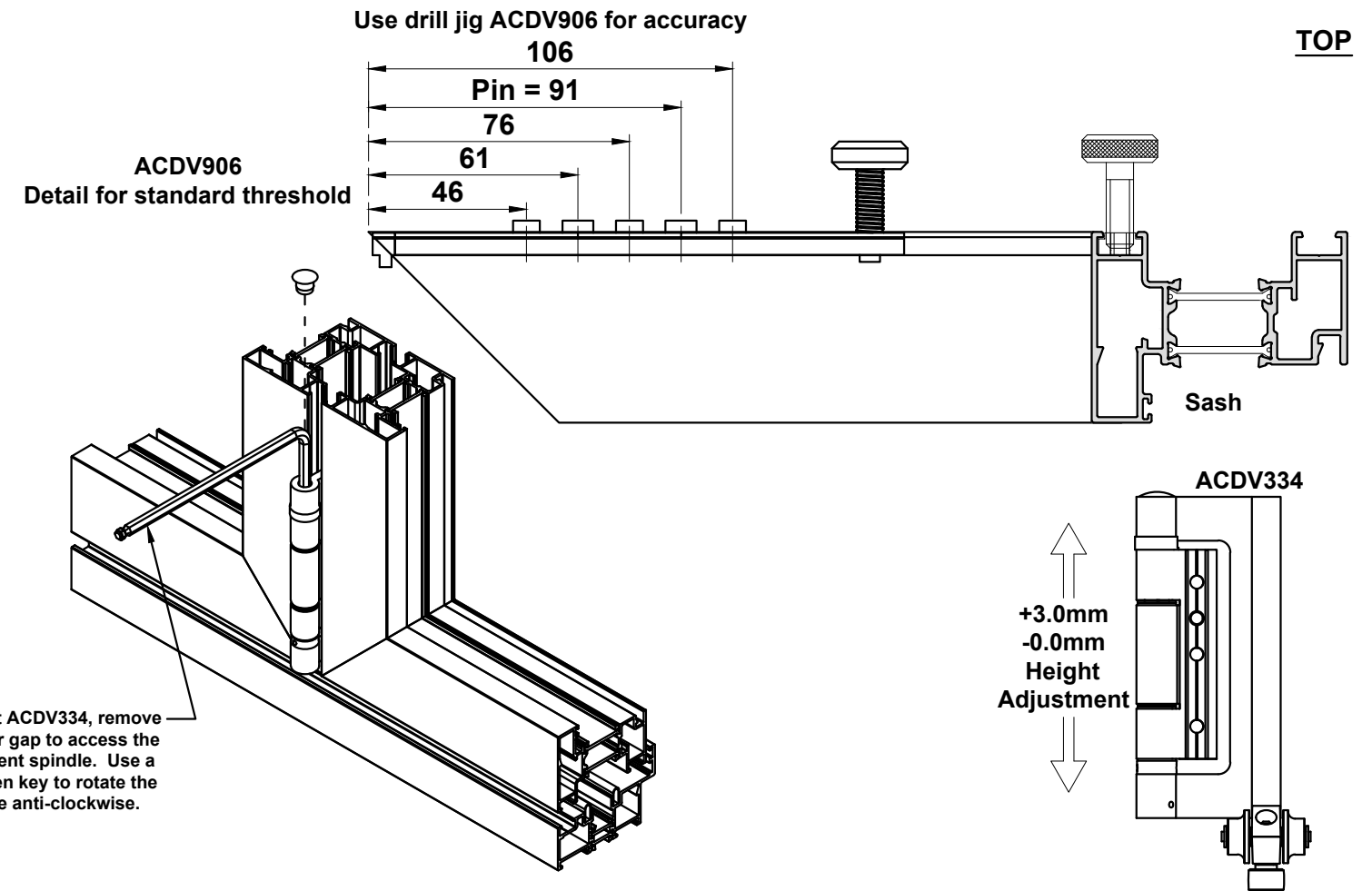
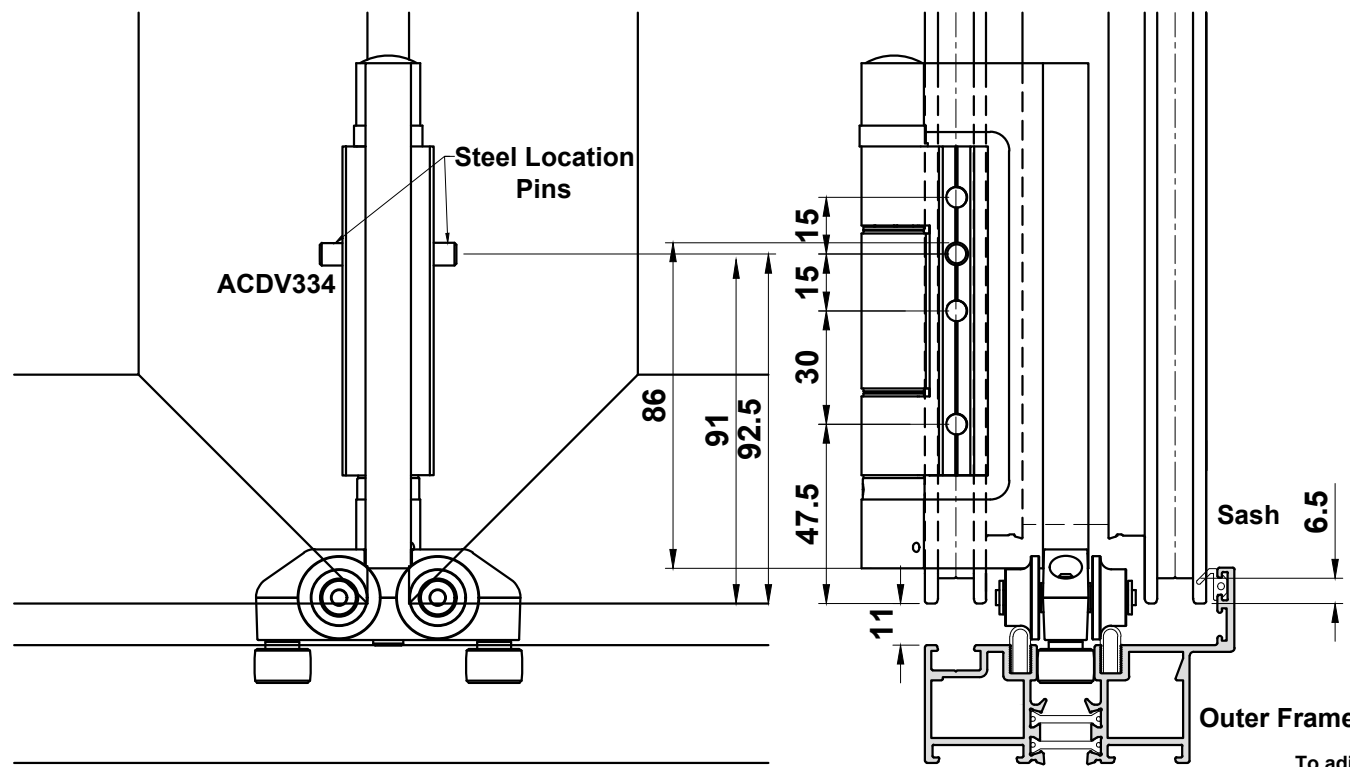
Note:

Once hinges are set into position, secure centre hole with ACIM062 screw for permanent fixing.



Do Not Scale From This Drawing

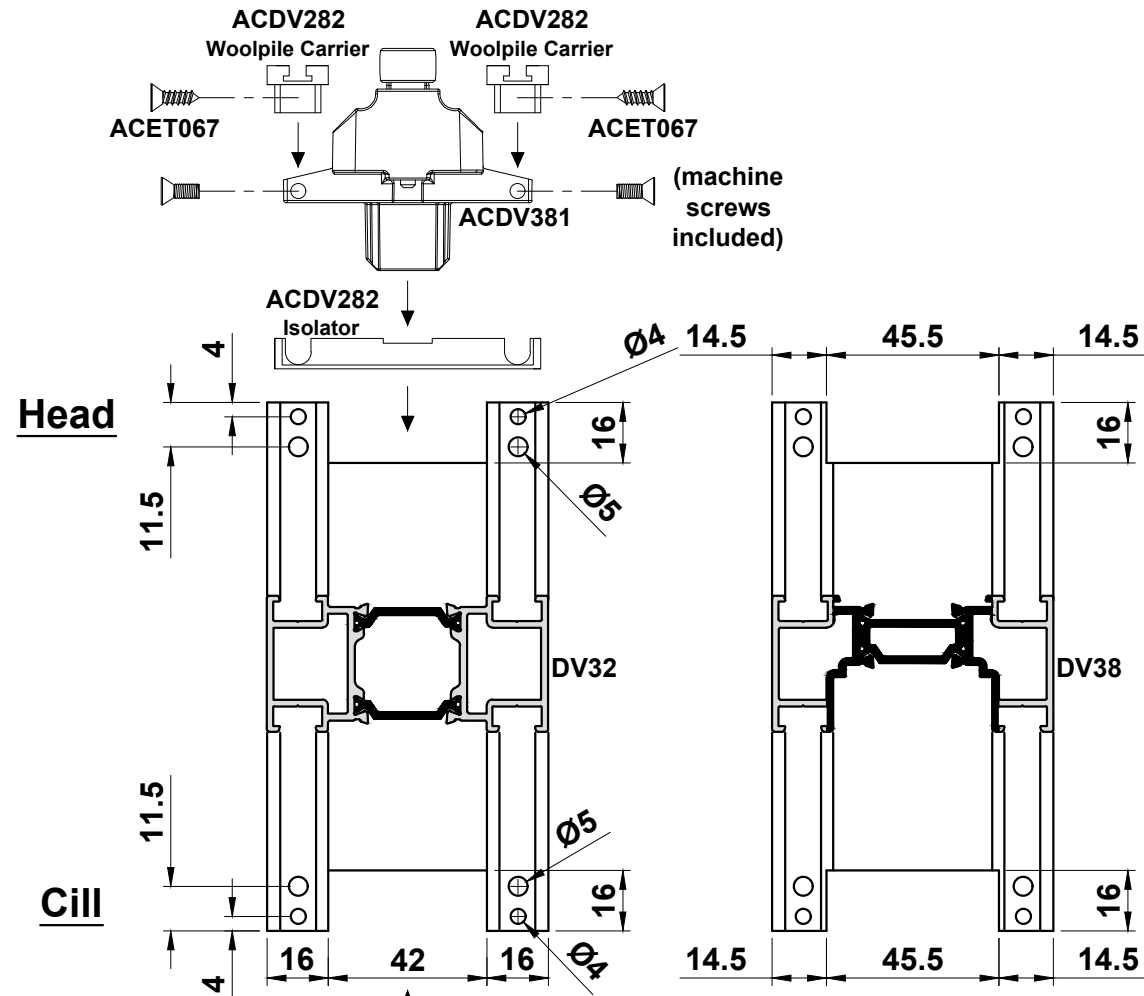
ACDV334 Hinge Location Details



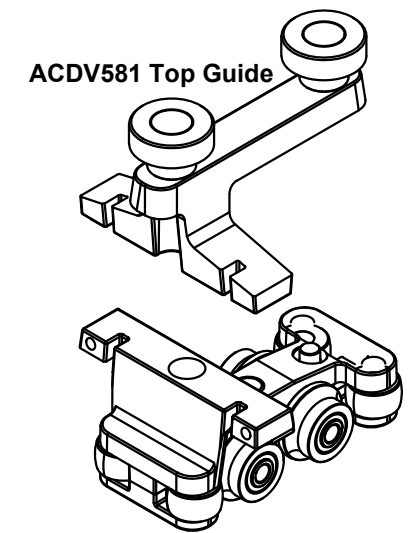
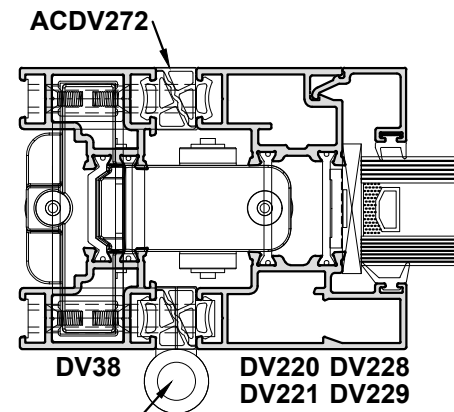
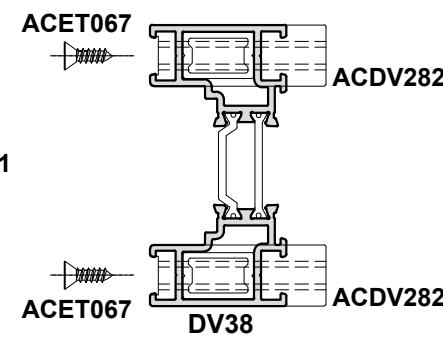
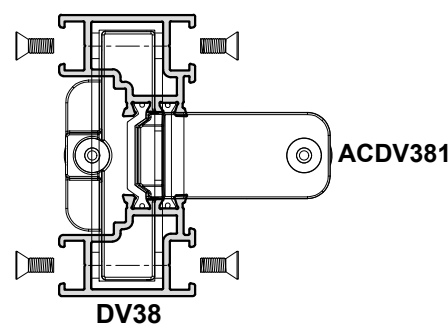
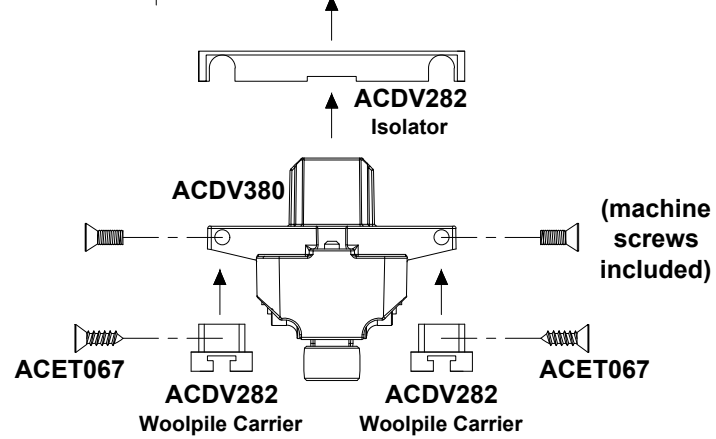
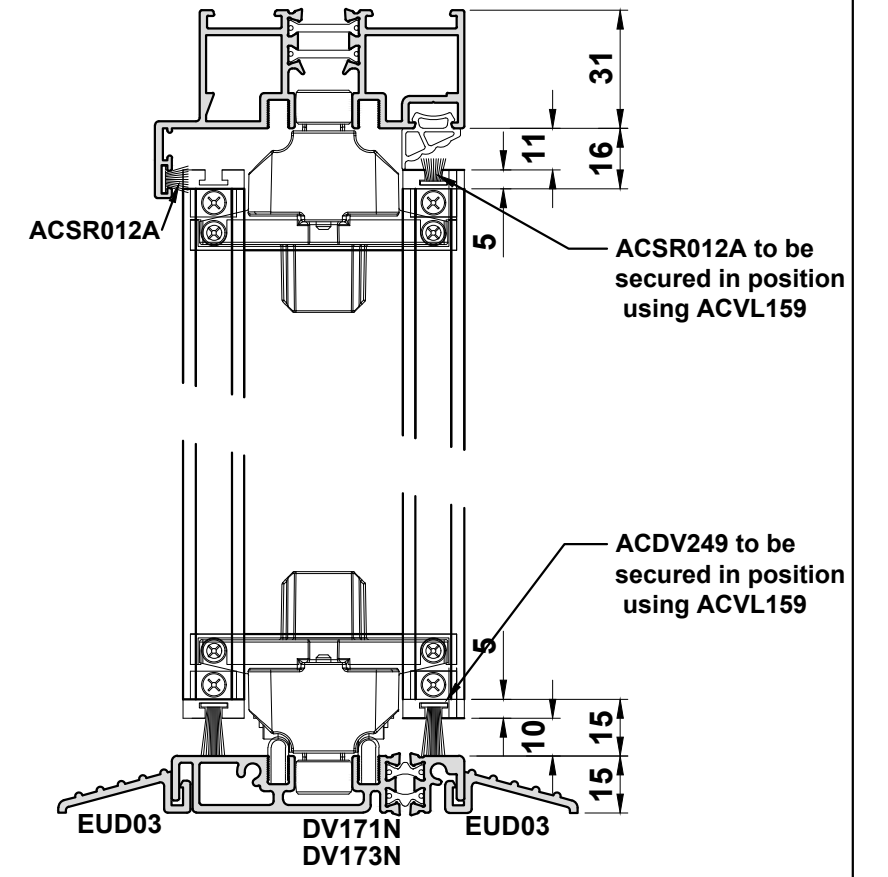
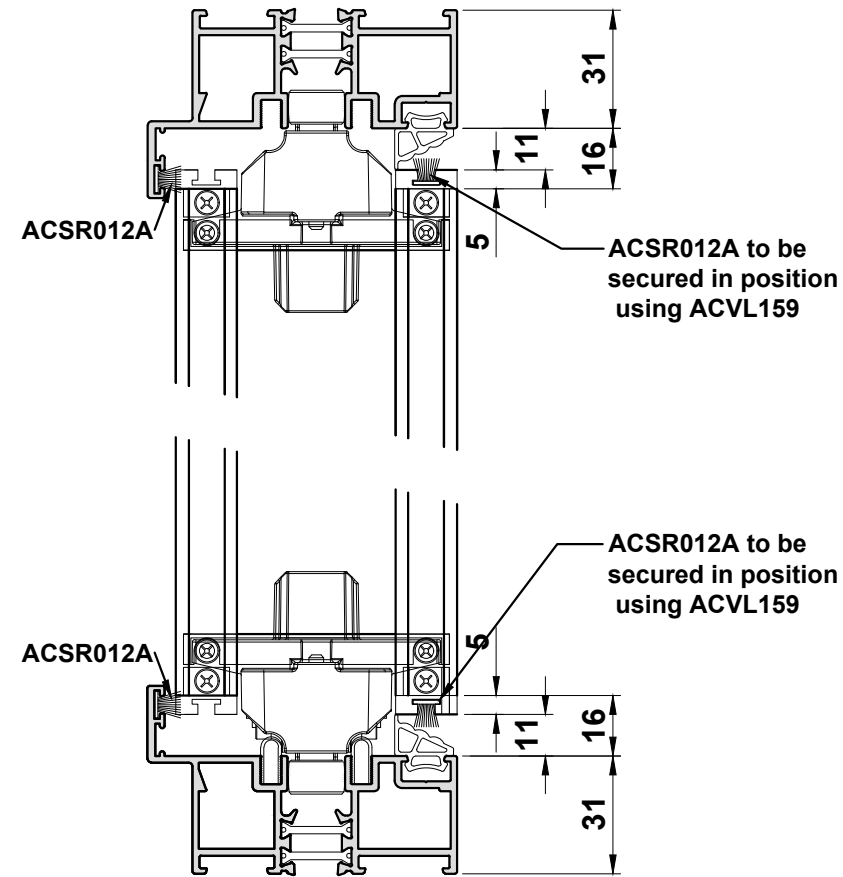
Do Not Scale From This Drawing

DV32/DV38 Preparation

Mullion Preparation for Standard & Low Threshold

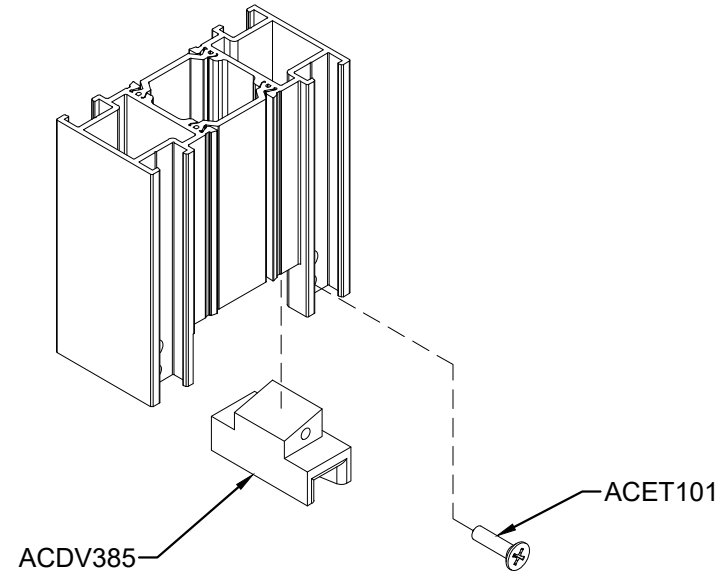


NOTE:
Where DV32 is used, ACSR012A should replace ACDV244N



Do Not Scale From This Drawing

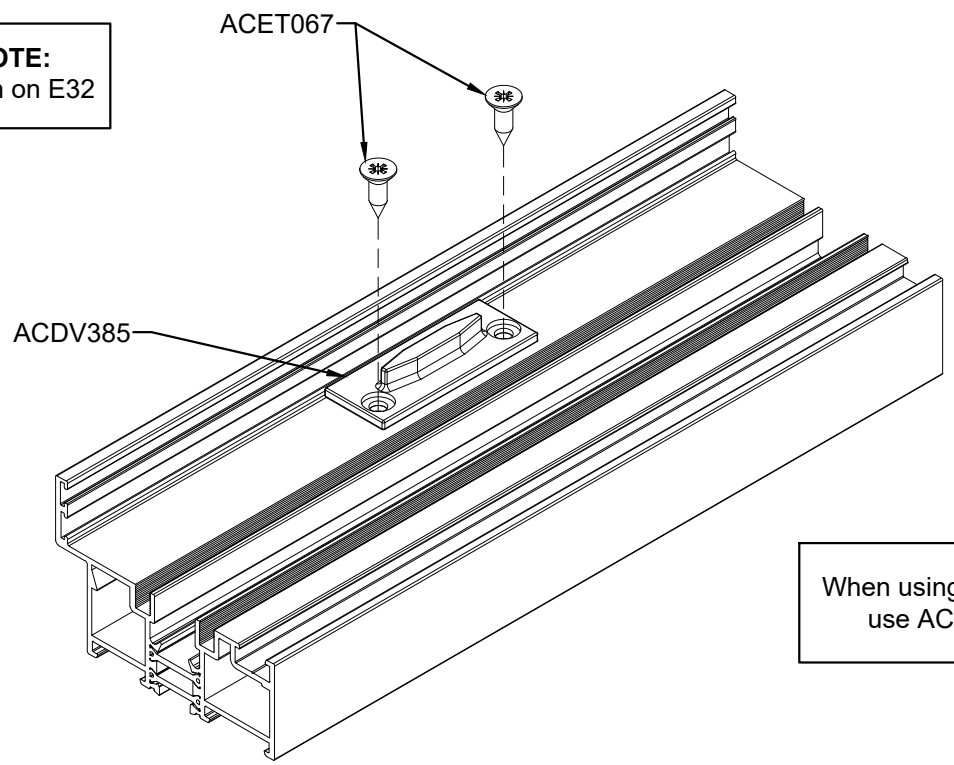
ACDV385 Guide



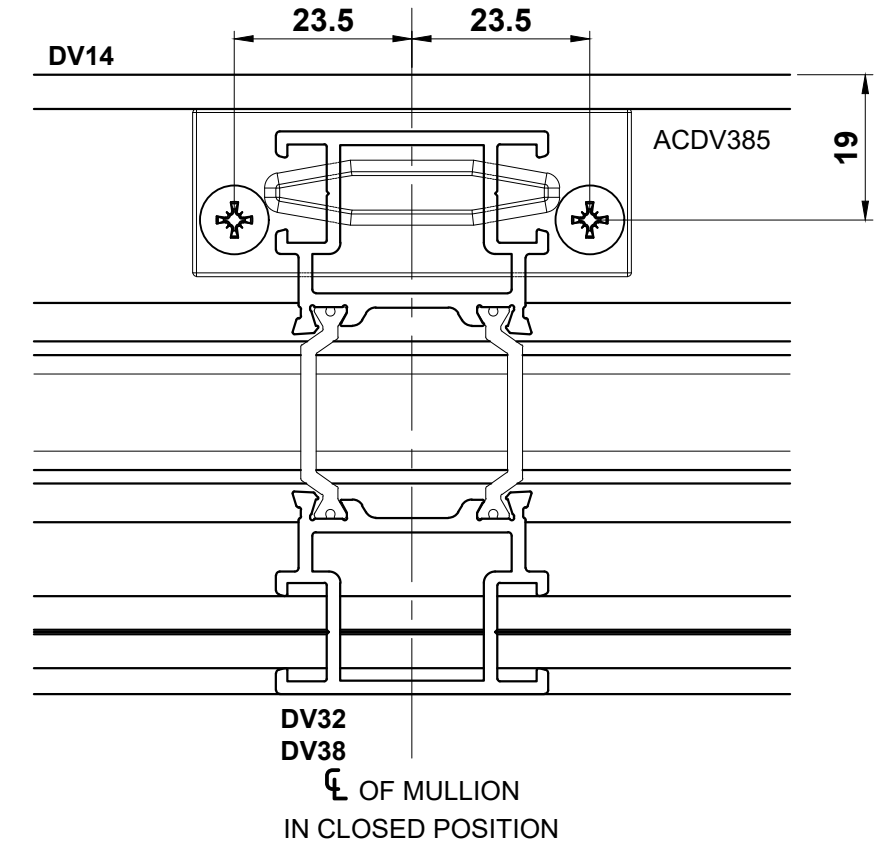
ACDV385 is only required when using DV32/DV38 floating mullion and used to prevent twisting out of outerframe.

IMPORTANT FABRICATION NOTE:
Consider pre-drilling outerframe when ACDV385 guide in threshold / jamb corner

IMPORTANT FABRICATION NOTE:
Use existing prep for DV32 as shown on E32

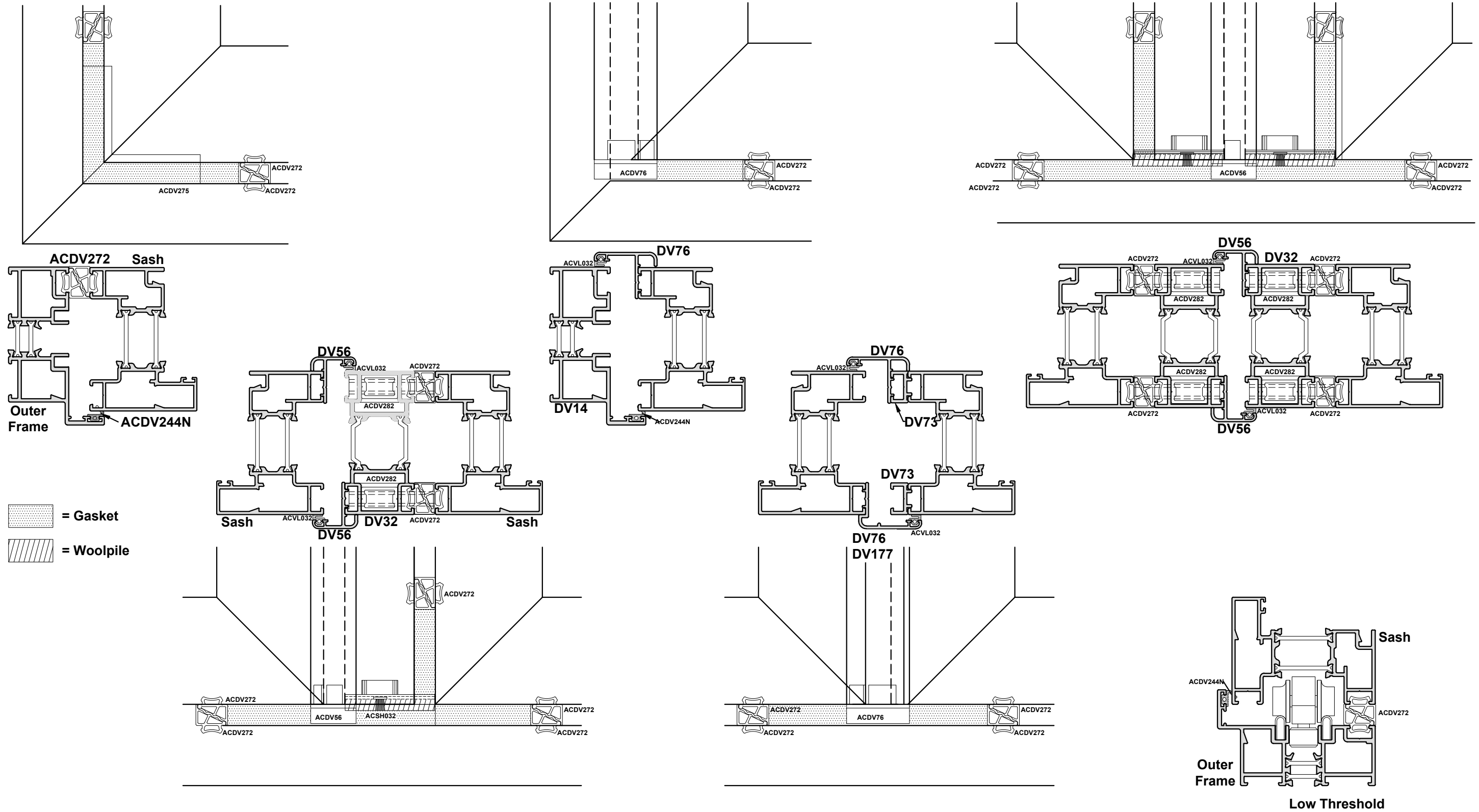


When using low threshold, only use ACDV385 at Head.



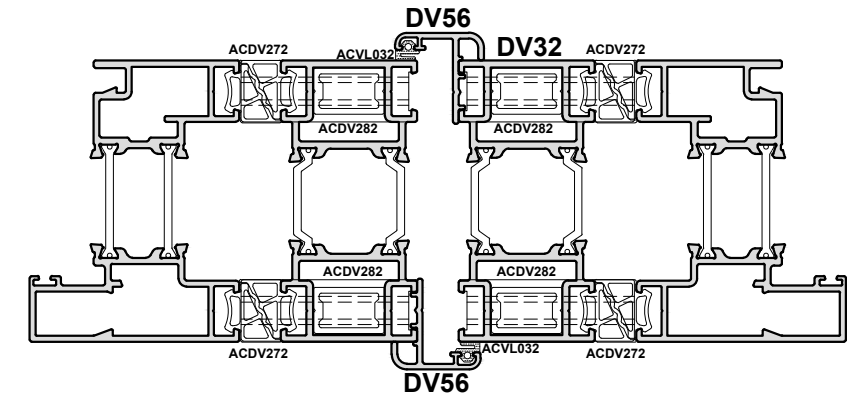
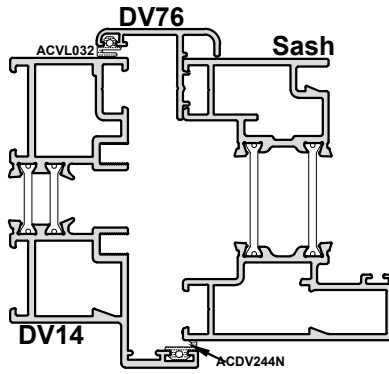
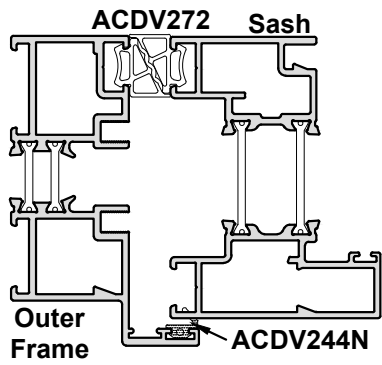
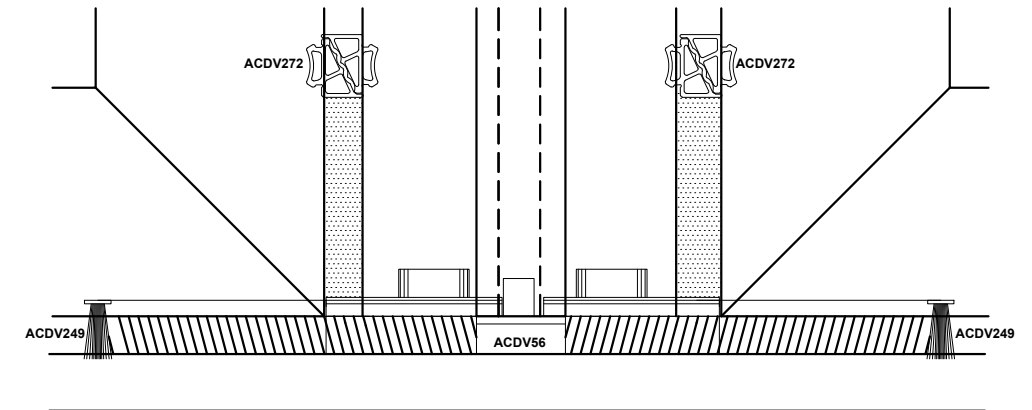
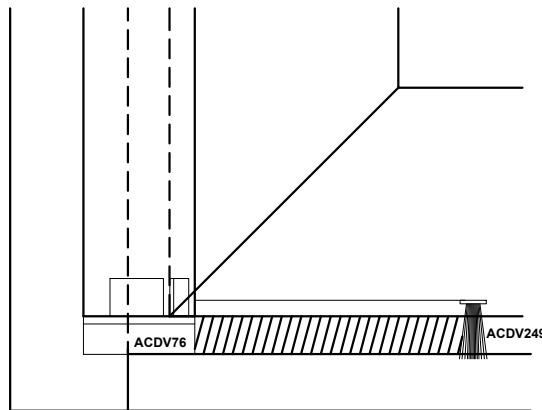
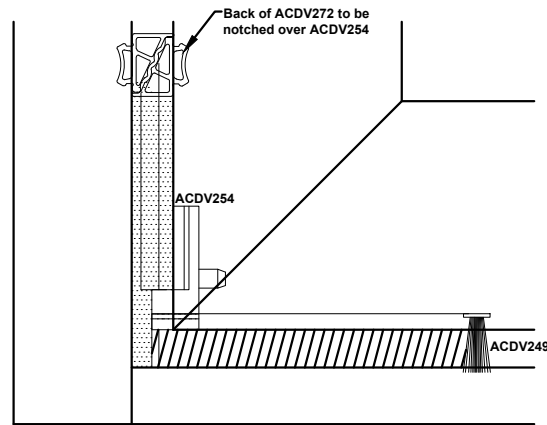
Do Not Scale From This Drawing



Typical Sealing Details Against DV14

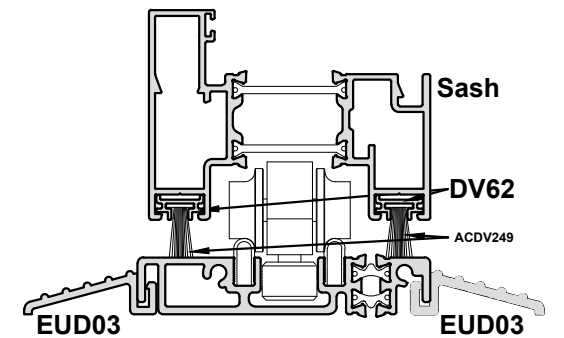
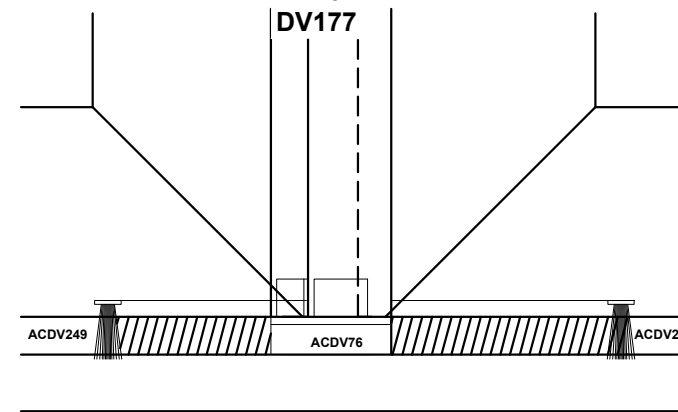
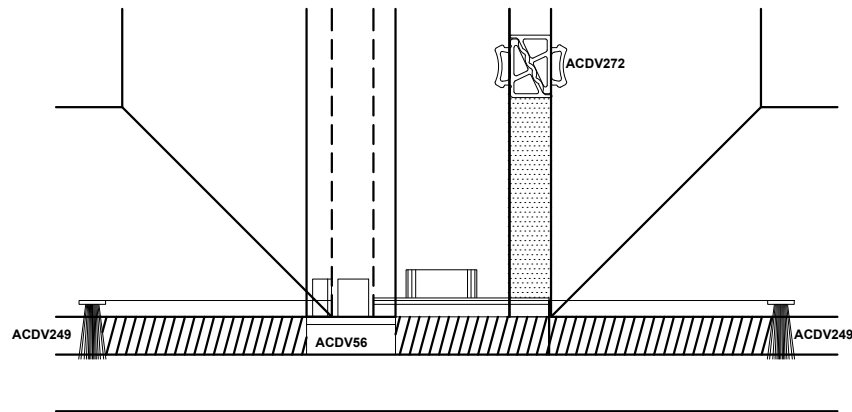
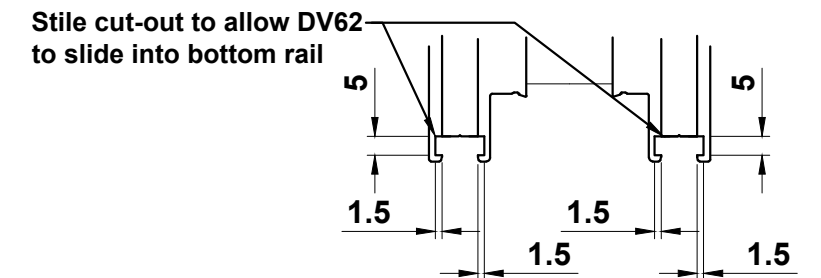
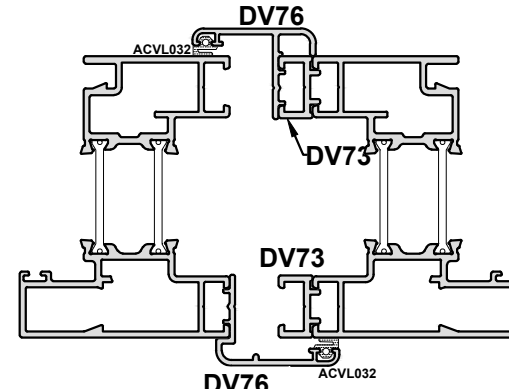
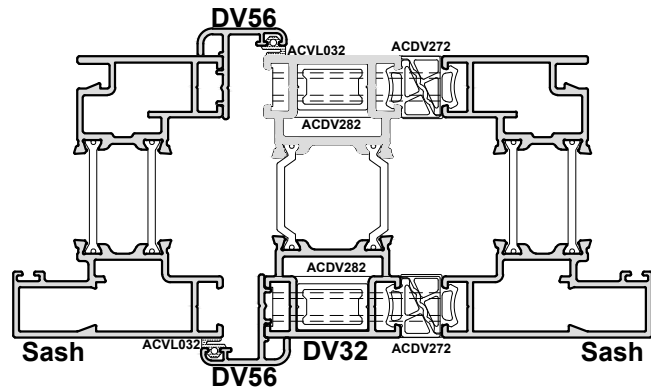


Do Not Scale From This Drawing

Typical Sealing Details Against DV171N/173N/175



 = Gasket
 = Woolpile

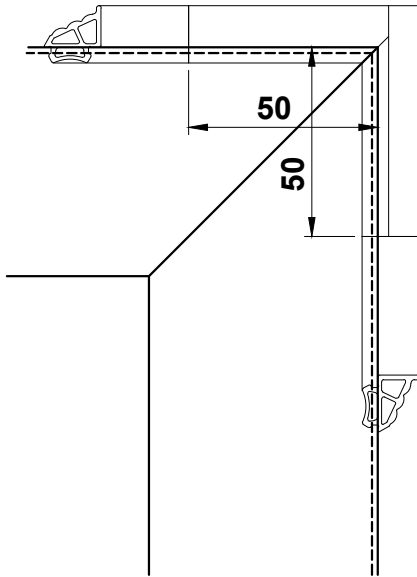


Do Not Scale From This Drawing

Gasket Details

Vent Gasket Detail Where Closing Against DV14

Cut ACDV272 between ACDV275 corner moulds



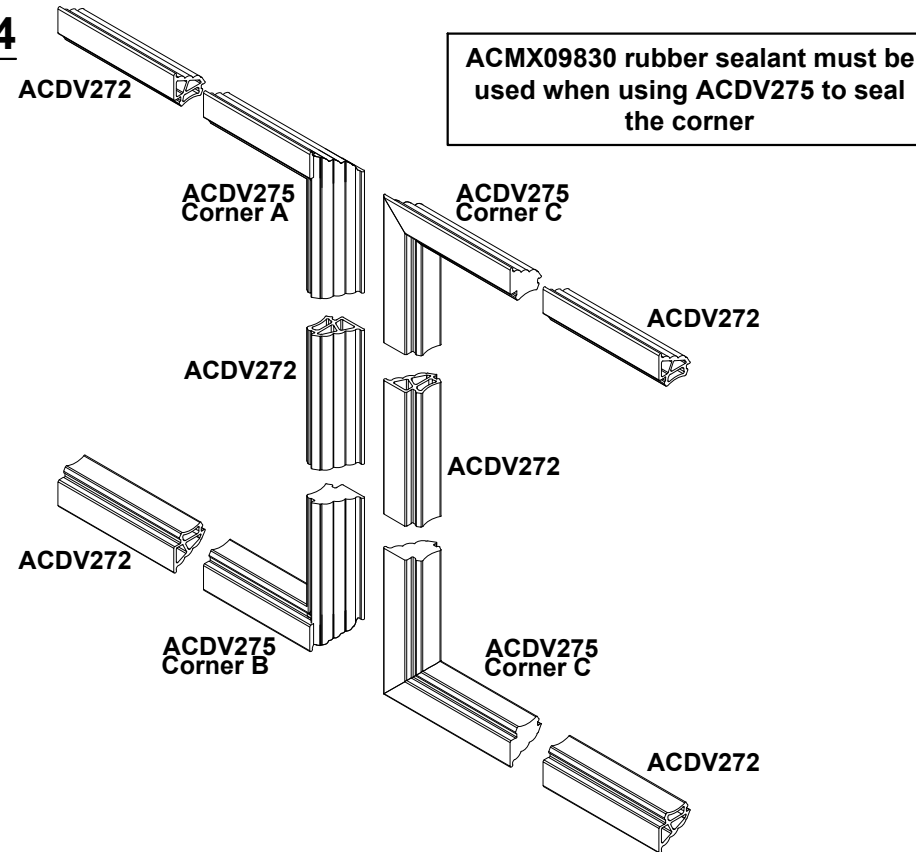
ACDV275 Corner A Shown

ACDV275 needs to be cut to fit above or below the hinges

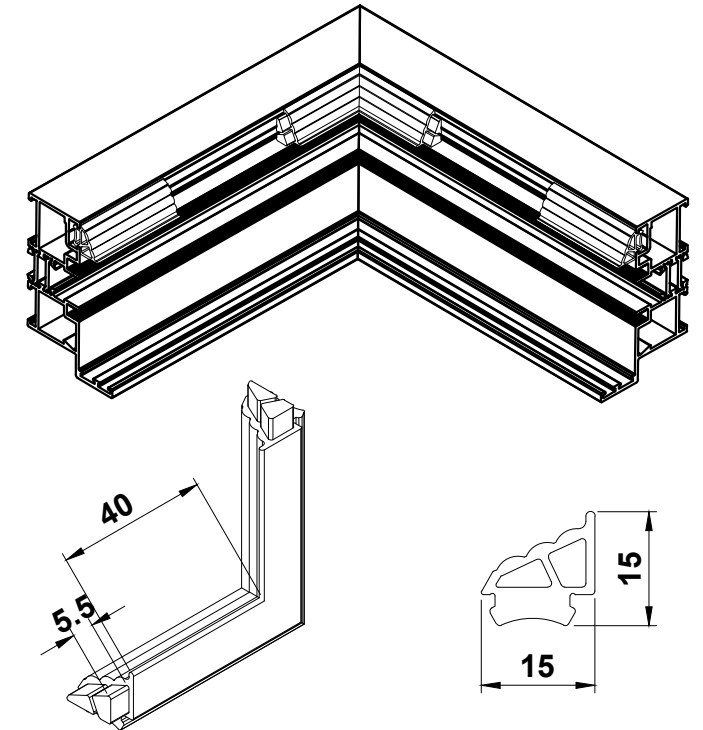
Cut ACDV272 between ACDV275 corner moulds

ACDV275 Pack Contains:
10 x Corner A
10 x Corner B
20 x Corner C

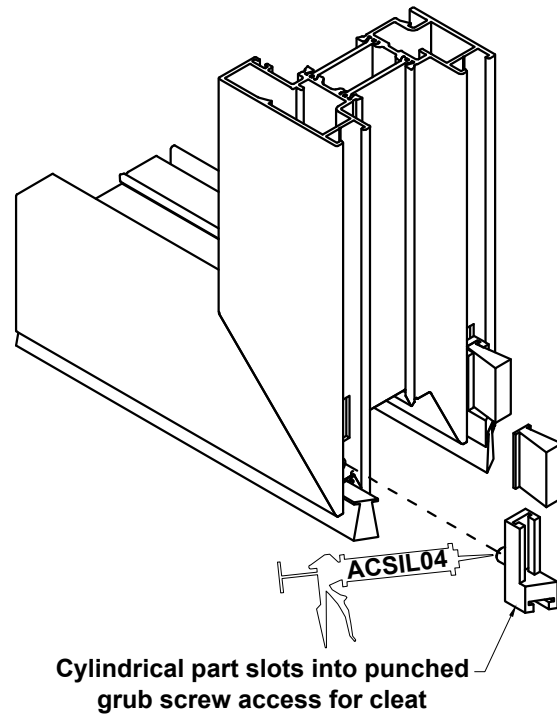
Packs of each corner type may also be ordered as:
ACDV275A, ACDV275B or ACDV275C



ACDV375 Corner Gasket

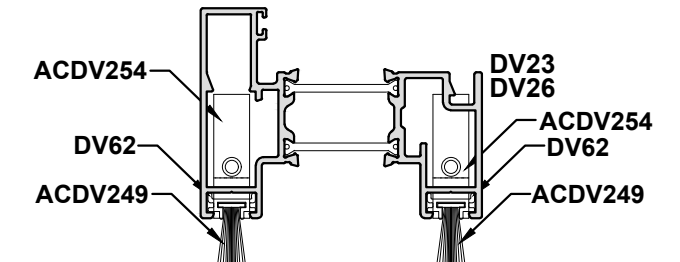
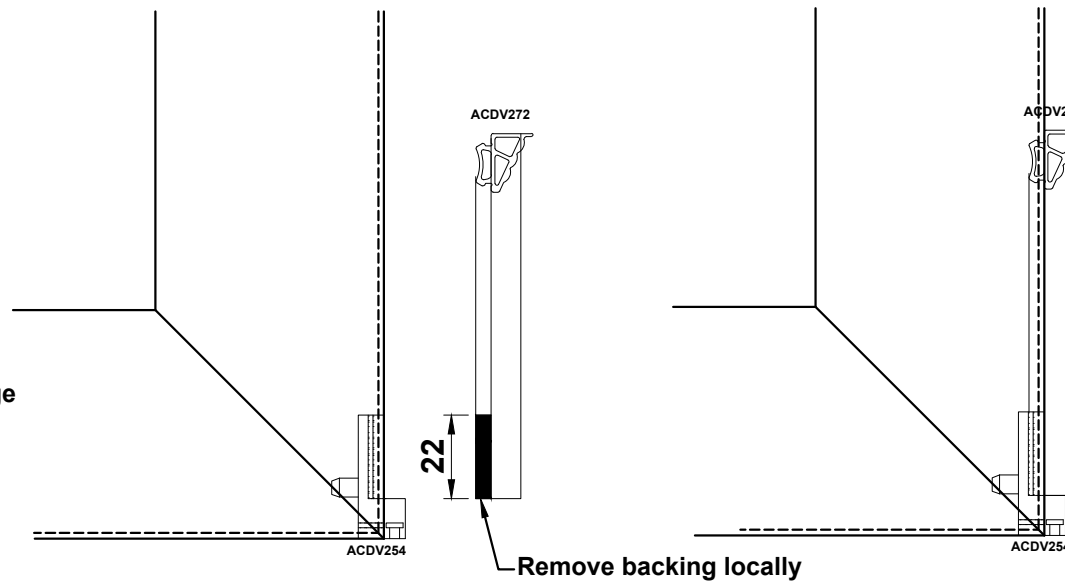


Vent Gasket Detail Where Using ACDV254

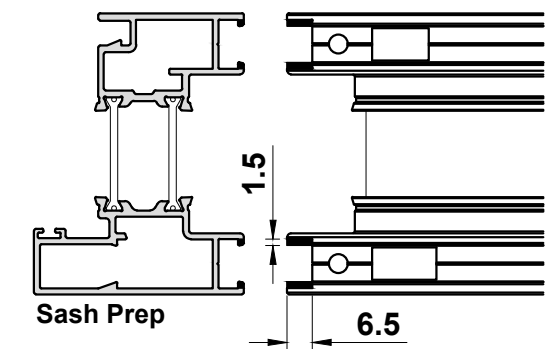


Woolpile ACSH032 is used to seal gap against bottom hinge

Cylindrical part slots into punched grub screw access for cleat



Preparation for DV62

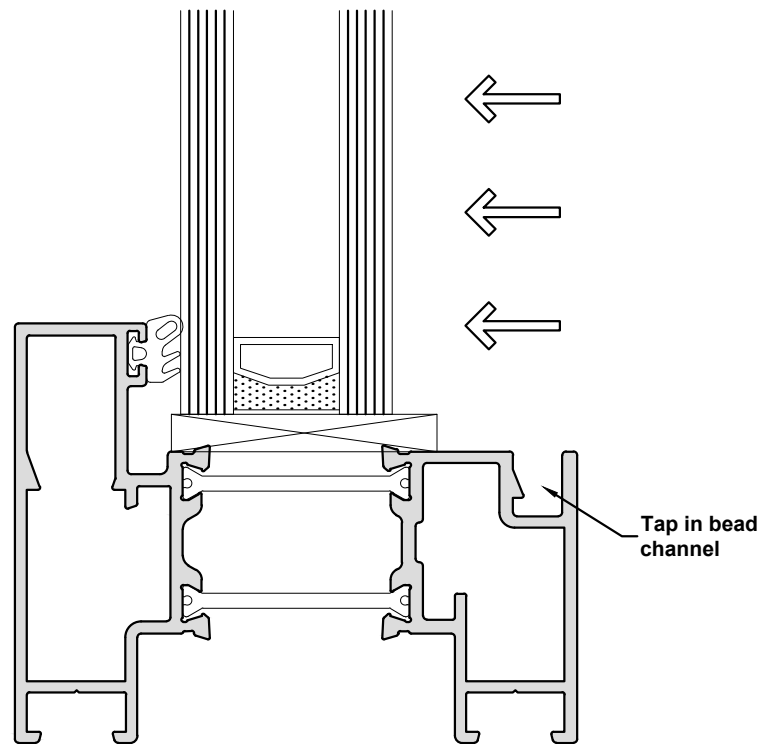


Do Not Scale From This Drawing

Tap in Bead Installation and Removal

TAP IN BEAD INSTALLATION

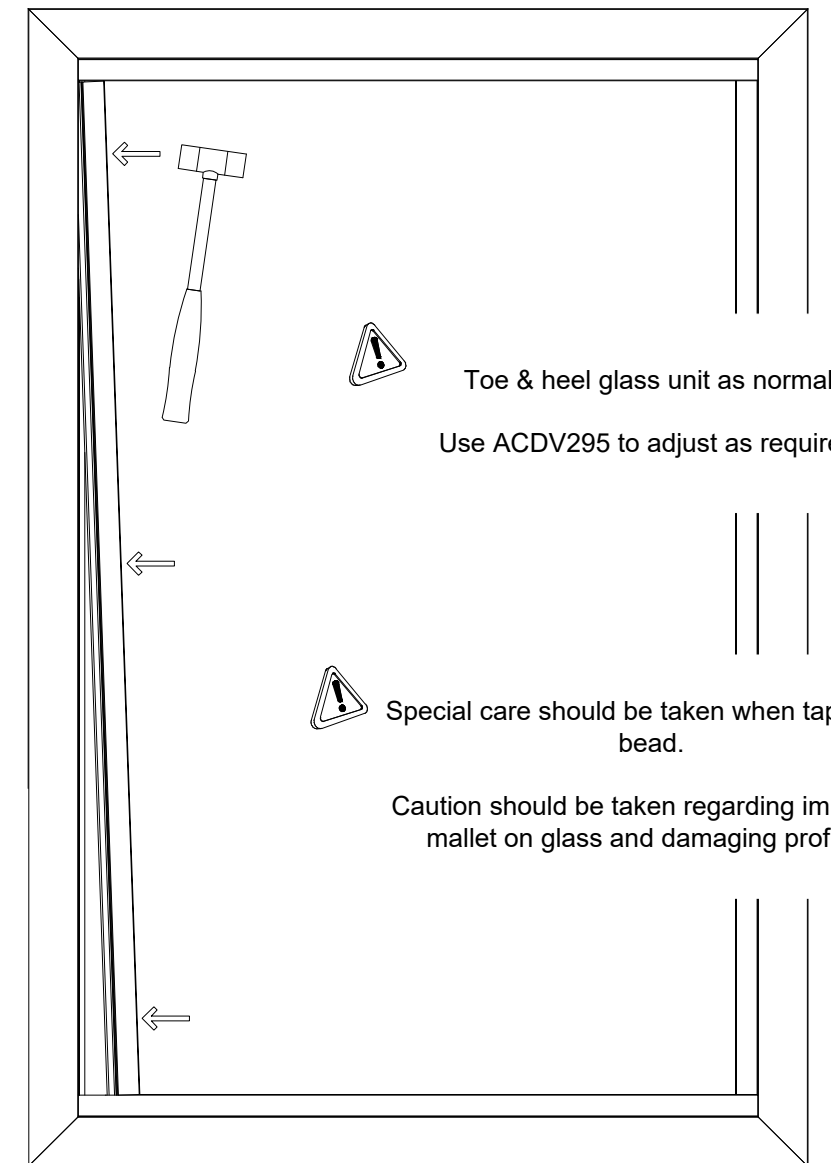
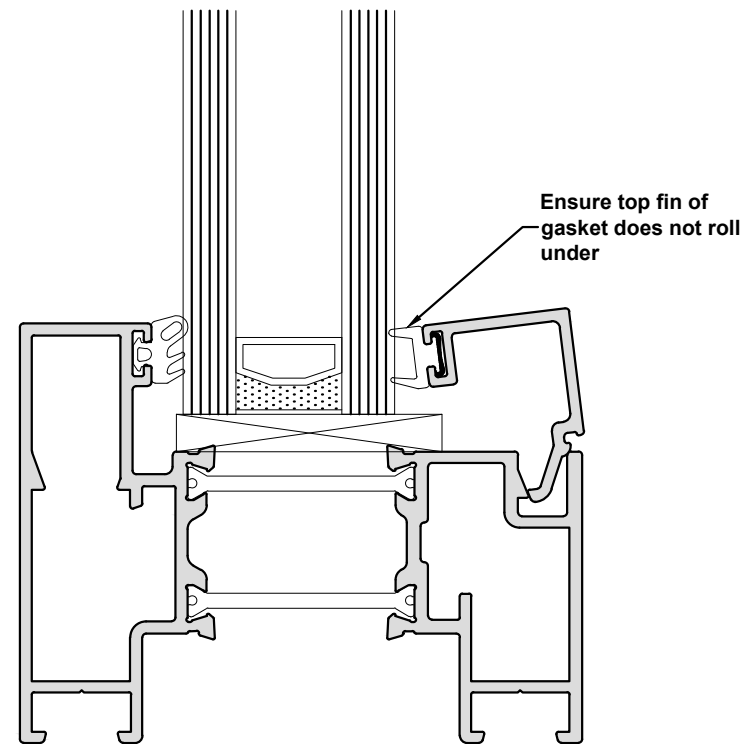
1. Install glass unit, ensuring it has been pushed forward to engage compression of e gasket.
2. Beginning with horizontal beads, locate bead in clip channel of sash as shown. co-extruded gasket may rest against glass unit.
3. Apply firm pressure to the bead to hold in position. this may cause the bead to fully lock into position.
4. Using a nylon mallet, tap bead into channel working from one end to the other. please take care at this stage to avoid damage to both the glazing unit and the bead.
5. Repeat steps 2 - 4 to install vertical beads.



TAP IN BEAD REMOVAL

1. Using small flat headed screwdriver or similar, wedge tip between co extruded gasket and aluminium.
2. In a levering motion, prise the gasket away from the aluminium. particular care should be taken not to damage the glass unit and aluminium.
3. Complete this at several locations along the length of the bead.
4. Remove gasket and discard. this gasket can no longer be used.
5. The bead should now be easily removable from tap in bead channel in sash

Please see glazing chart for replacement gasket codes.

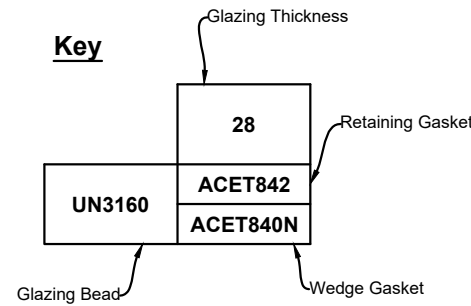


Do Not Scale From This Drawing

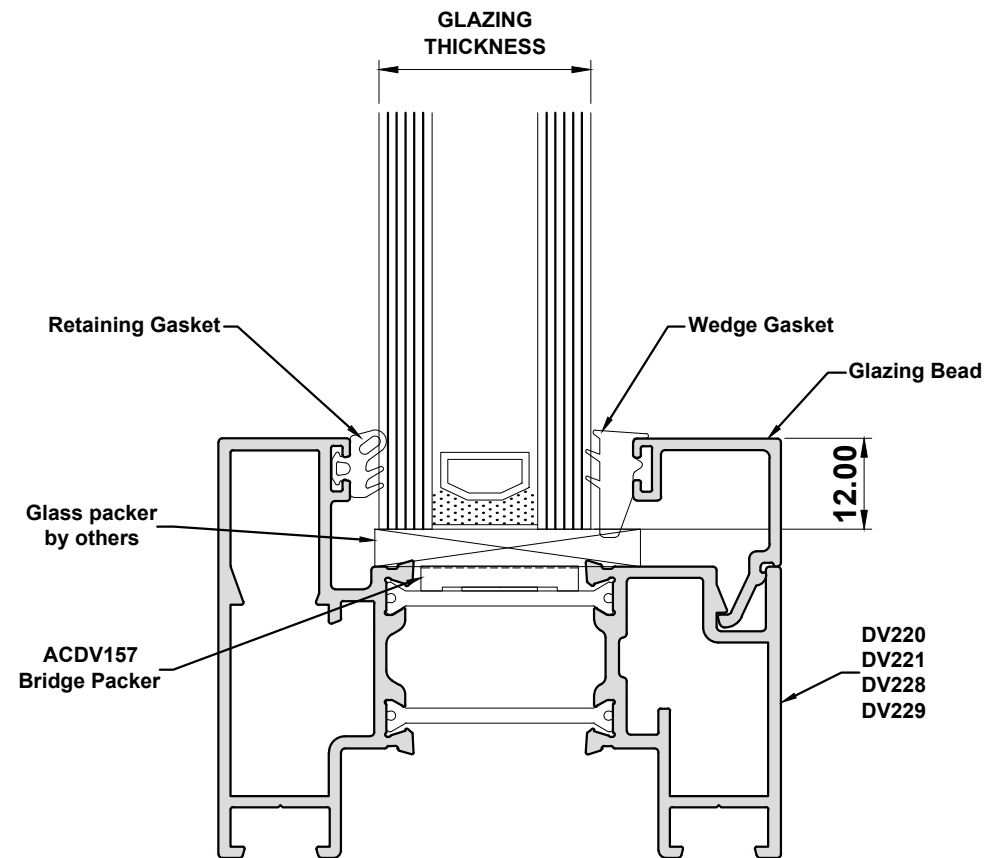
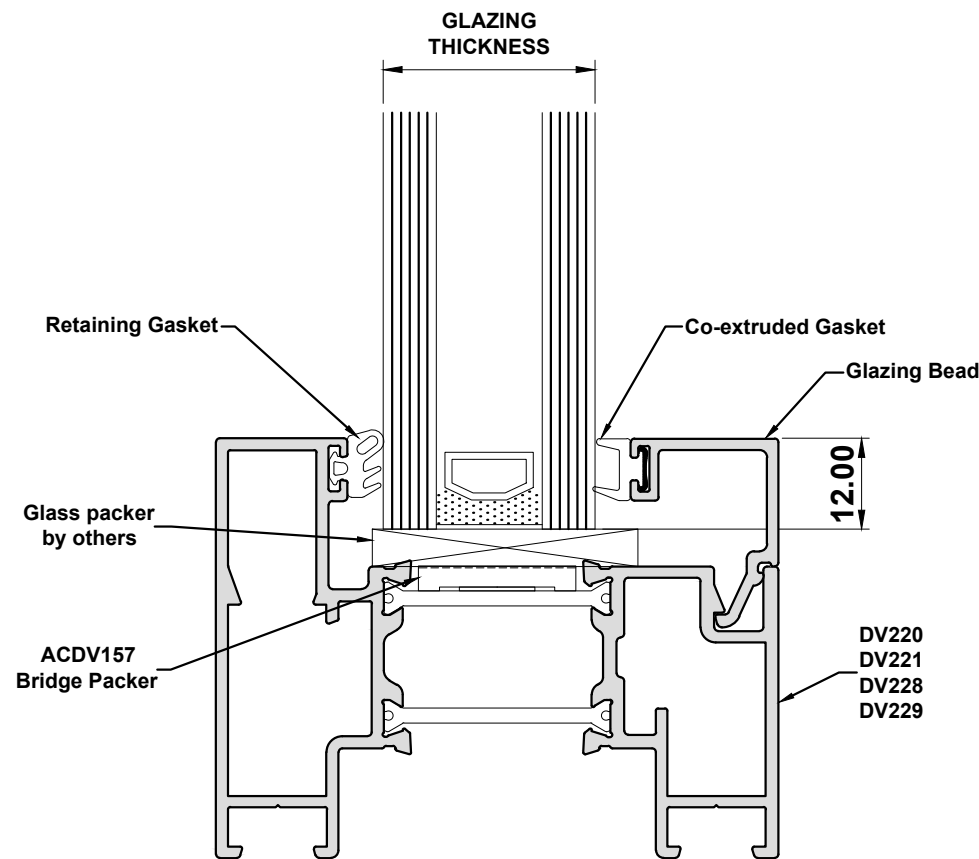
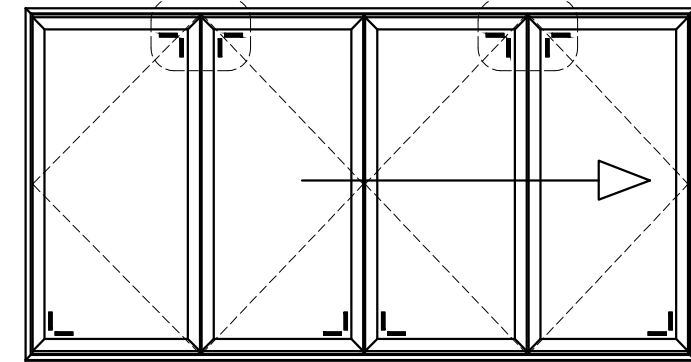
INTERNALLY GLAZED

		Glazing Thickness (mm)	
		28	28.8
Glazing Bead	UN3160G	ACUN3065	ACVG131N*
	UN3160	ACUN3065 ACET848	ACVG131N* ACET840N*

*Tested in house. Smaller / larger gaskets may be required depending on glass tolerance.



Typical Toe & Heel Locations
Recommended Using ACDV295 Glass Adjusters



Retaining Gasket

Low Line	4mm		ACVG131N
			100m
			BL
5mm			ACUN3065
			100m
			BL

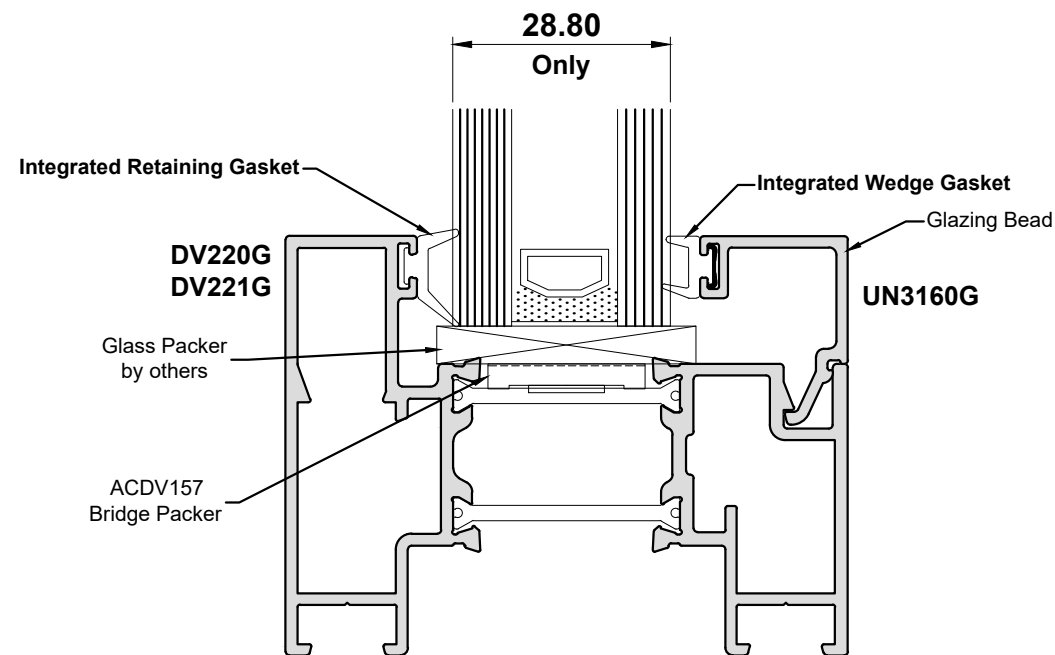
Wedge Gasket

Low Line	3mm - 4mm		ACW20038
			50m
			BL
5mm - 4mm			ACET848
			200m
			BL
5mm			ACET840N
			200m
			BL

Do Not Scale From This Drawing

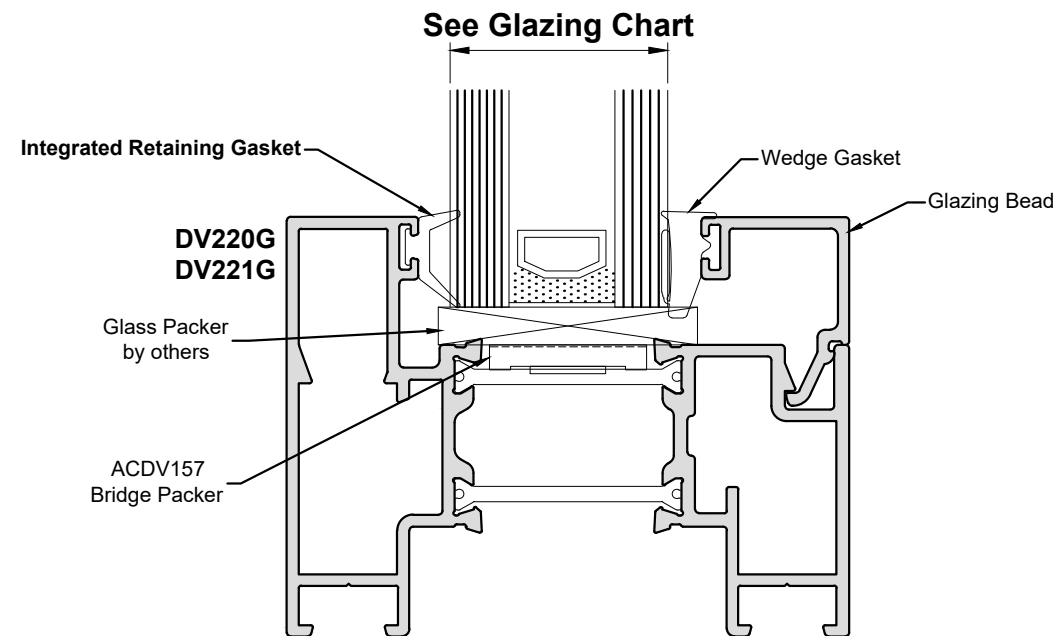
DV220G, DV221G, DV228G & DV229G Glazing

Combining DV220G/DV221G with UN3160G is suitable for 28.8mm units only.



DV220G & DV221G can be glazed using beads without integrated gasket using the below wedge options.

DV220G & DV221G with Internal Wedge Gasket				
Glazing Thickness	External Gasket	Bead	Low Profile Internal Gasket	Standard Internal Gasket
24	Integrated	UN3162	ACET848	ACUN033
28		UN3160		
32		UN3164		
36		ETC4179		
40		UN3166		
44		UN3168		



Wedge Gasket

Low Line	Wedge Gasket Profile	Wedge Gasket Options	
		Wedge Gasket	Wedge Gasket
3mm	[Profile]	ACW20038	50m
		BL	
4mm	[Profile]	ACET848	200m
		BL	
5mm	[Profile]	ACET840N	200m
		BL	
3mm	[Profile]	ACUN033	100m
		BL	

Do Not Scale From This Drawing

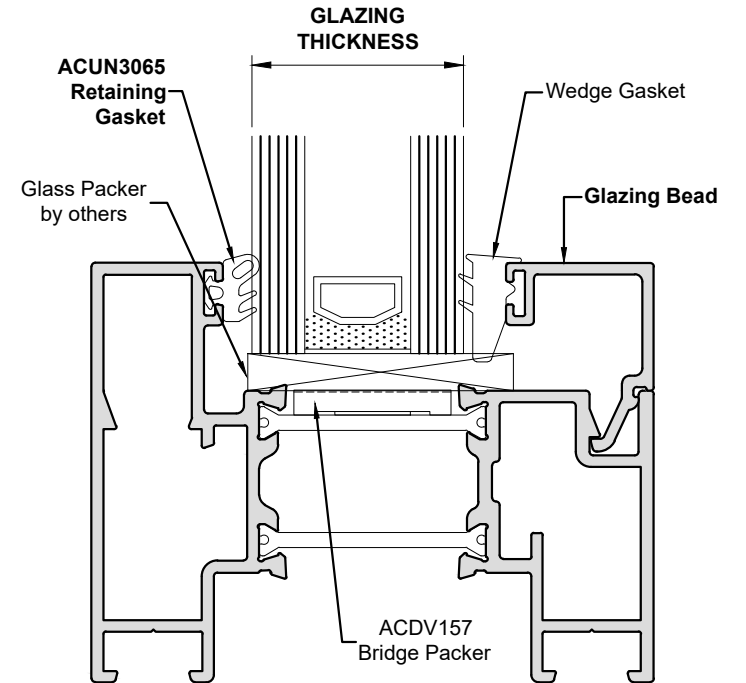
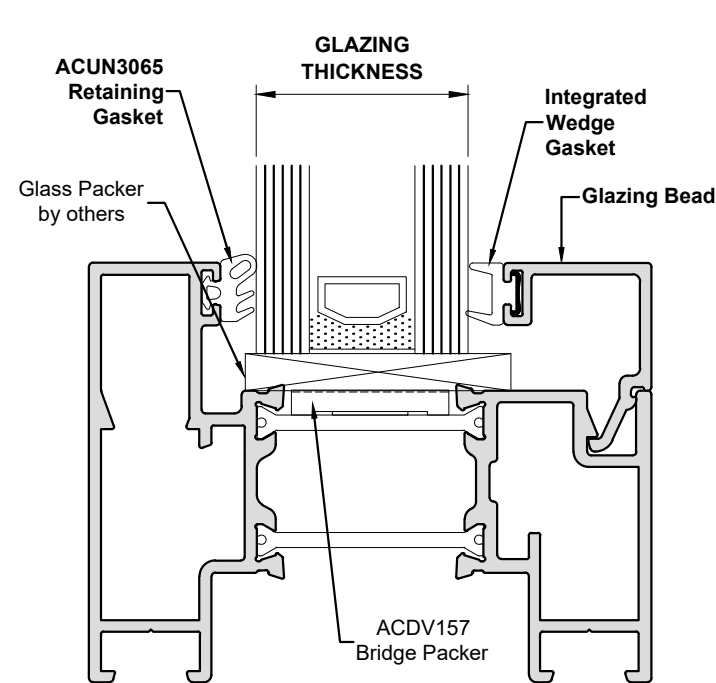
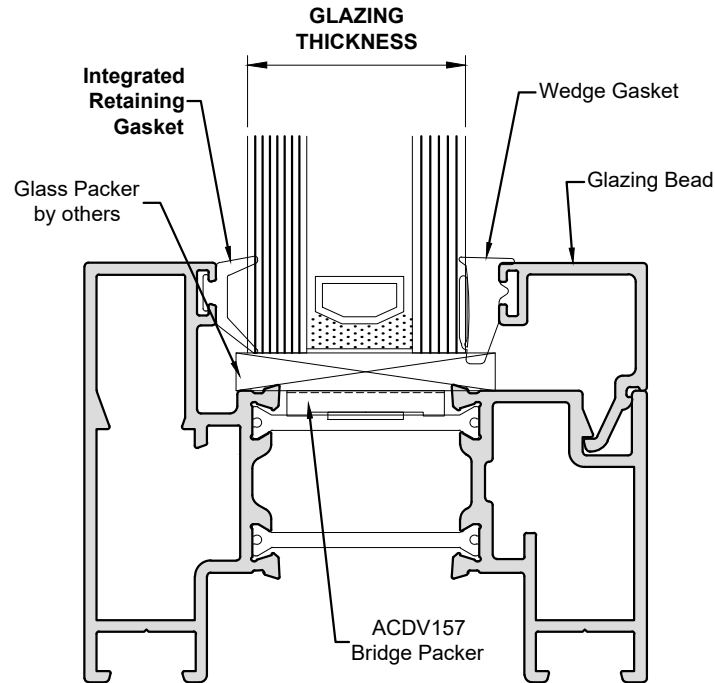
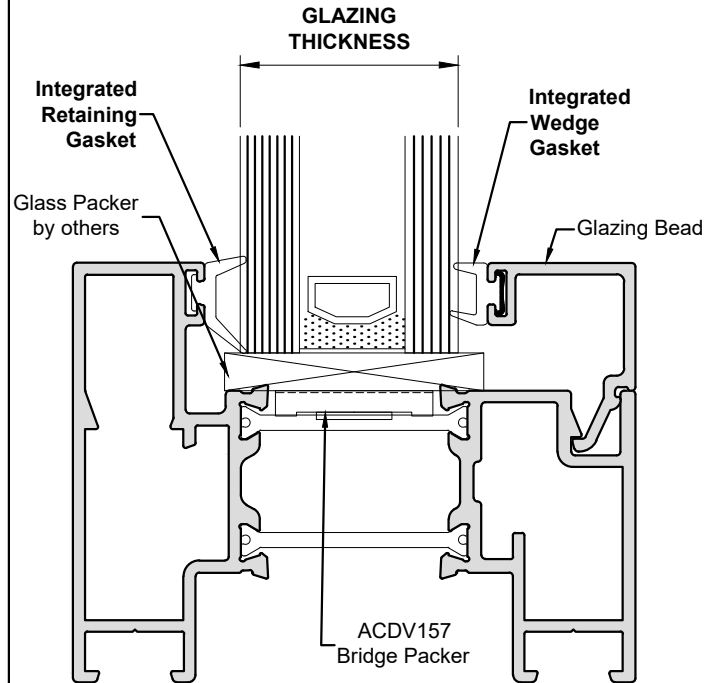
Glazing Charts

DV220G / DV221G / DV228G / DV229G
UN3162G / UN3160G / UN3164G / ETC4179G / UN3166G

DV220G / DV221G / DV228G / DV229G
UN3162 / UN3160 / UN3164 / ETC4179 / UN3166 / UN3168

DV220 / DV221 / DV228 / DV229
UN3162G / UN3160G / UN3164G / ETC4179G / UN3166G

DV220 / DV221 / DV228 / DV229
UN3162 / UN3160 / UN3164 / ETC4179 / UN3166 / UN3168

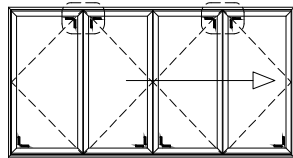


DV220G / DV221G / DV228G / DV229G with Quick Glaze Beads		
Glazing Thickness	External Gasket	Bead
24.8	Integrated	UN3162G
28.8		UN3160G
32.8		UN3164G
36.8		ETC4179G

DV220G / DV221G / DV228G / DV229G using ACUN3065 Retaining Gasket with Quick Glaze Beads				
Glazing Thickness	External Gasket	Bead	Low Profile Wedge Gasket	Standard Wedge Gasket
24	Integrated	UN3162	ACET848	ACUN033
28		UN3160		
28.8		UN3160		
32		UN3164		
36		ETC4179		
40		UN3166		
44	UN3168			

DV220 / DV221 / DV228 / DV229 using ACUN3065 Retaining Gasket with Quick Glaze Beads		
Glazing Thickness	External Gasket	Bead
24	ACUN3065	UN3162G
28		UN3160G
28.8		UN3160G
32		UN3164G
36		ETC4179G

DV220 / DV221 / DV228 / DV229 using ACUN3065 with Internal Wedge Gasket				
Glazing Thickness	External Gasket	Bead	Low Profile Wedge Gasket	Standard Wedge Gasket
24	ACUN3065	UN3162	ACET848	ACUN033
28		UN3160		
28.8		UN3160		
32		UN3164		
36		ETC4179		
40		UN3166		
44	UN3168	ACET848		

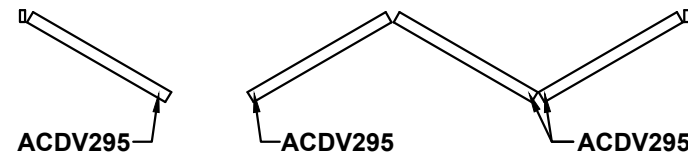
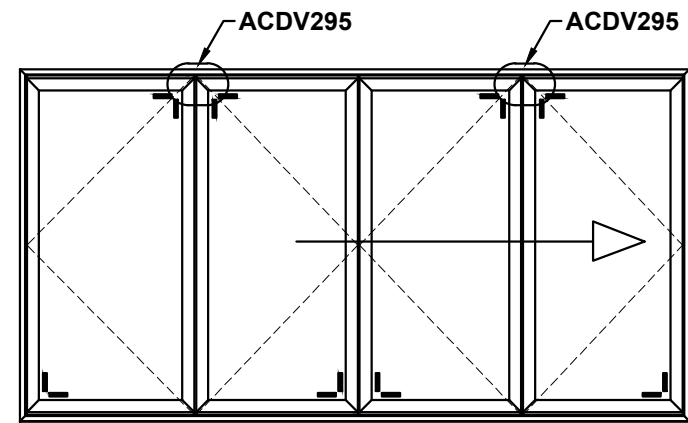


TYPICAL TOE & HEEL LOCATIONS
RECOMMENDED USING
ACDV295 GLASS ADJUSTERS

Glass Configurations Tested In House. Smaller / Larger Gaskets May Be Required Depending On Glass Tolerance

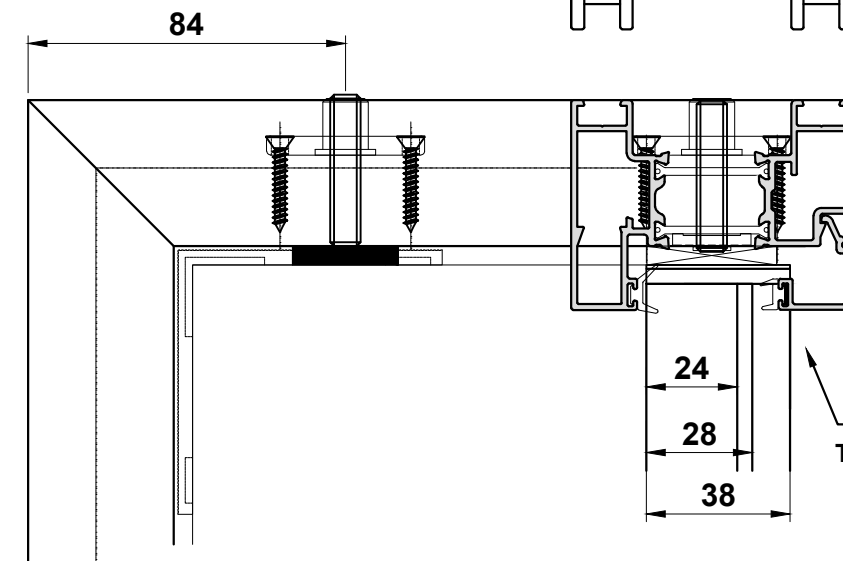
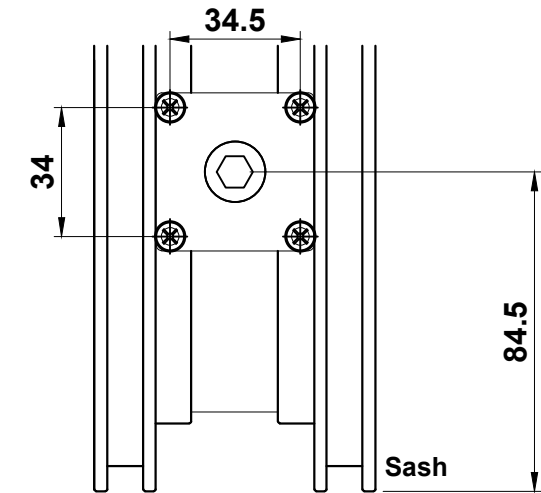
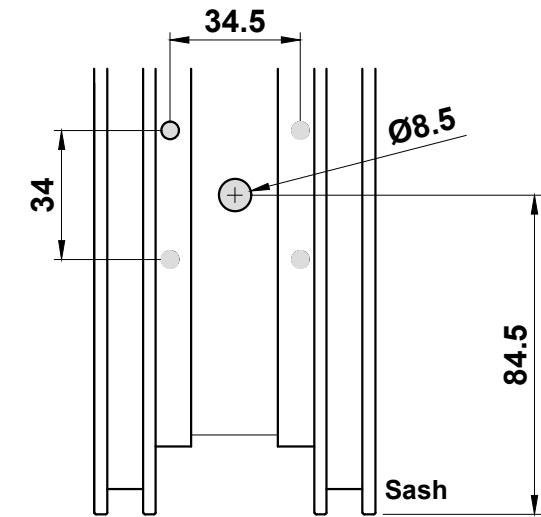
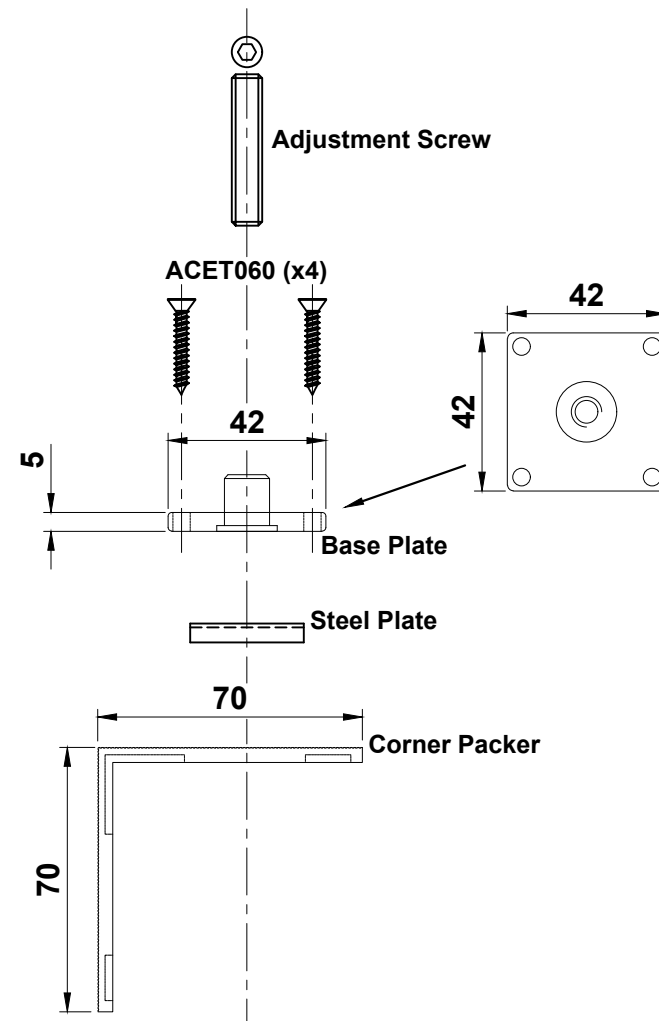
Do Not Scale From This Drawing

ACDV295 Glass Adjuster Kit



VIEW FROM ABOVE

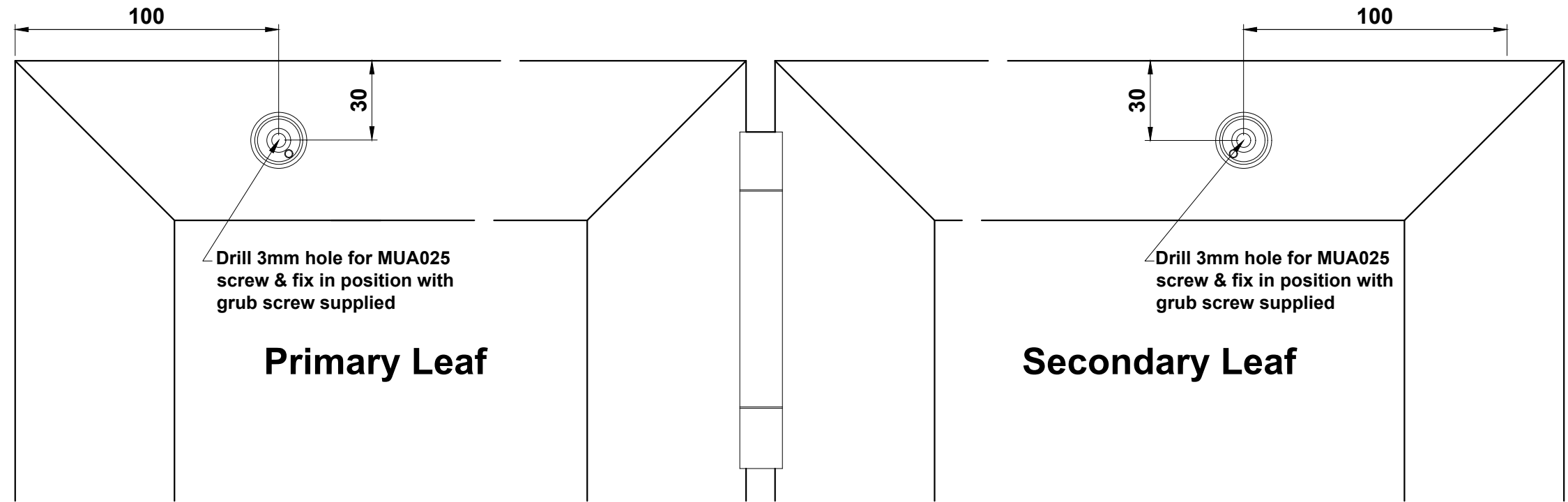
ACDV295 Glass Adjustor Kit



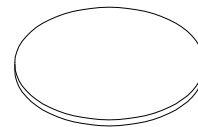
Please note:
The horizontal bead
may need notching
locally to ACDV295
to allow fitting

Do Not Scale From This Drawing

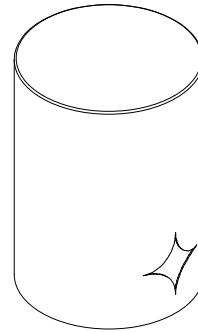
ACDV305 Fitting Details



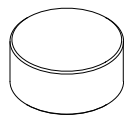
ACDV305 Kit Contains



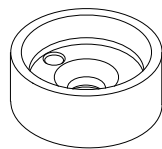
1 x Clear Polyurethane Pad



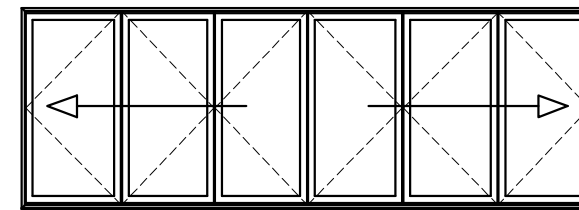
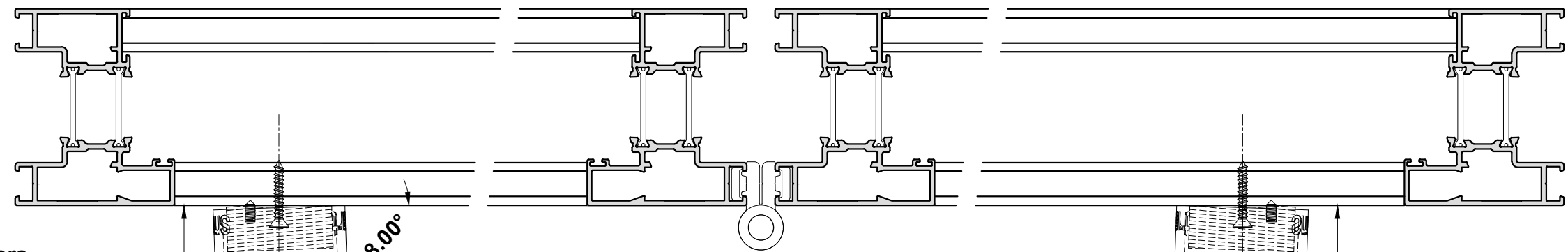
2 x 35mm Magnetic Holders



2 x Magnets

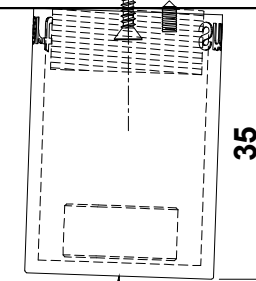


2 x Threaded Base



Primary ACDV305

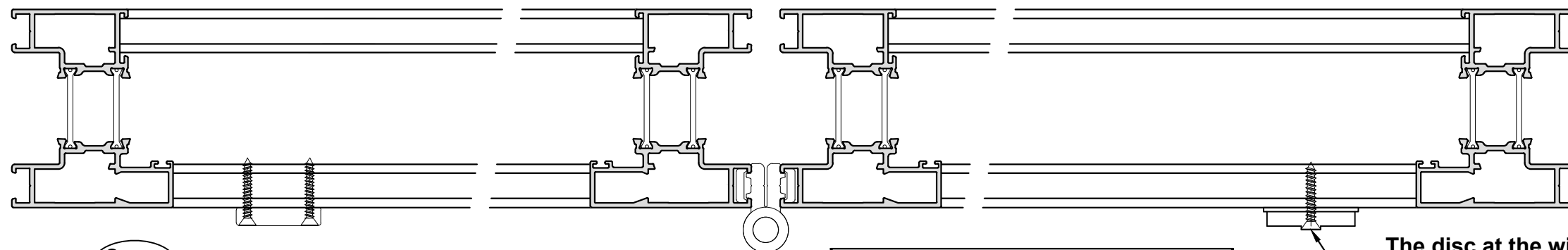
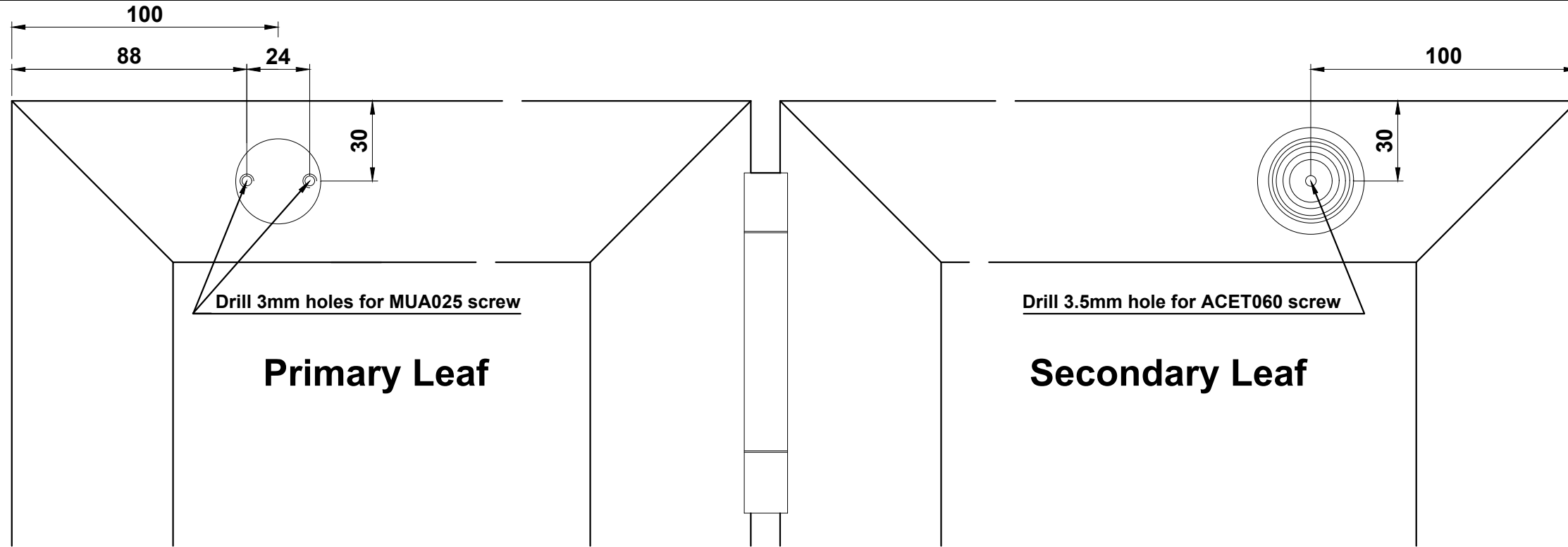
Secondary ACDV305



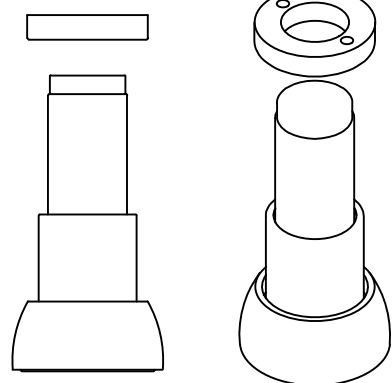
Apply clear polyurethane pad here

Do Not Scale From This Drawing

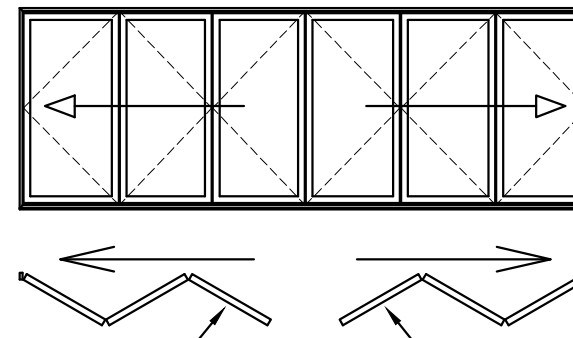
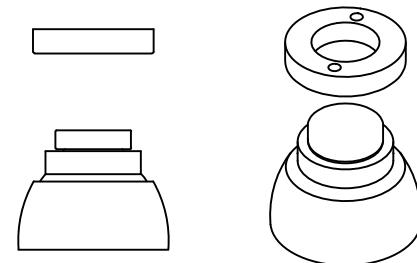
ACDV308 / ACDV309 Fitting Details



ACDV308



ACDV309

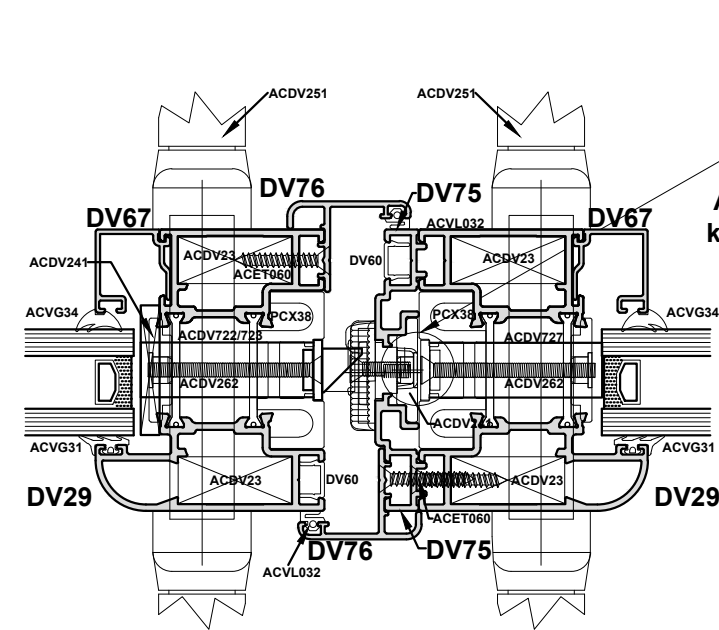
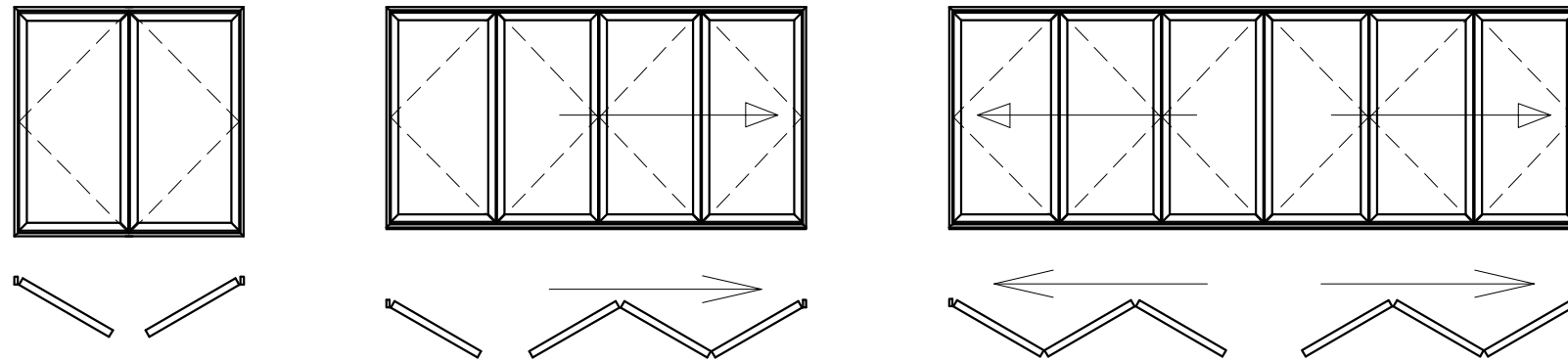


The disc at the wider end of the catch unscrews to allow fixing.

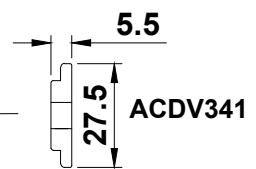
WARNING - the catch is SPRING LOADED, take care when removing from base plate and point in a safe direction

Do Not Scale From This Drawing

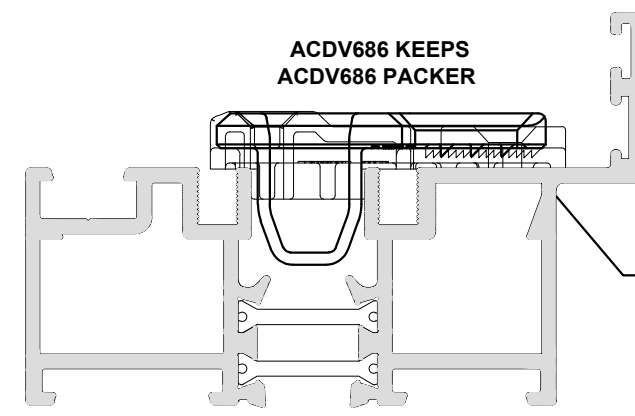
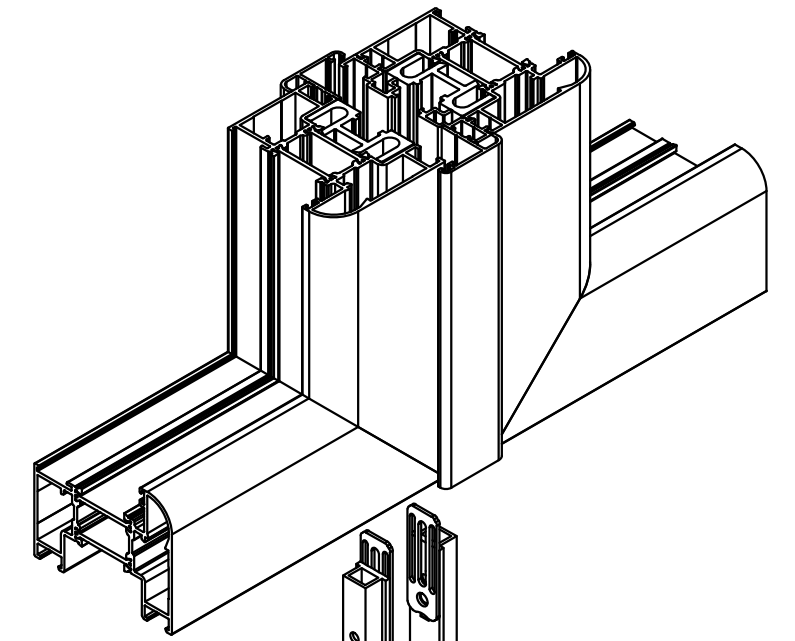
PAS24:2016 Double Door Reinforcement



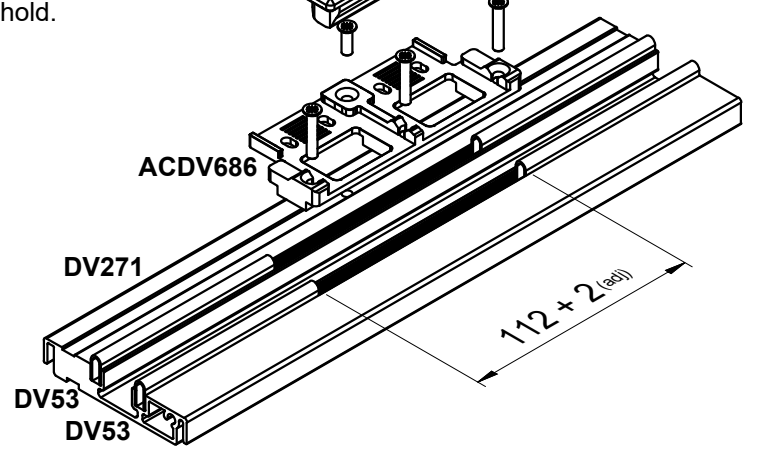
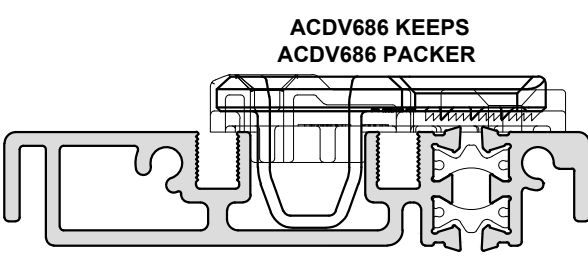
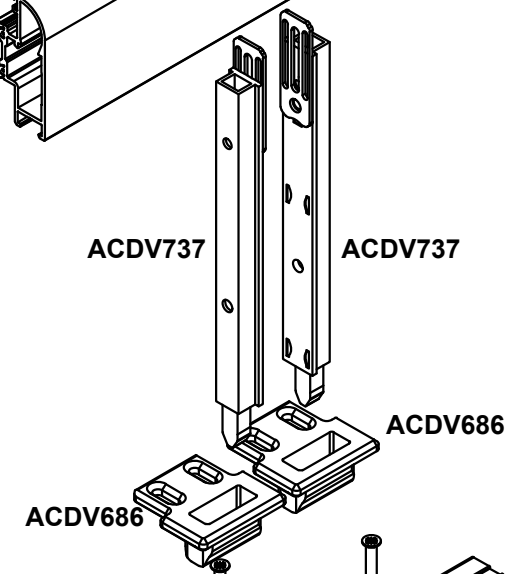
ACDV341 aluminium fixing plate to keep, this will be fitted behind DV75 and a replacement of ACDV241.



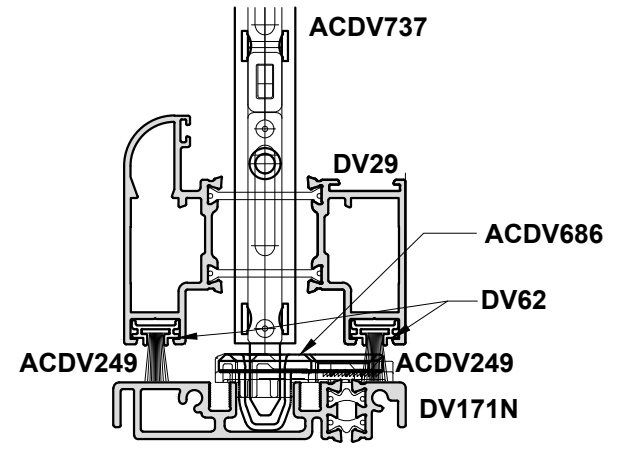
IMPORTANT NOTE:
Fix DV75 at 200mm centres and either side of locking & ACDV341 locations



IMPORTANT NOTE:
Use ACDV081 anti-lift block when DV14 / DV17 is used as threshold.



- Additional Notes:**
1. ACDV225 shoot bolt handle with ACMX01604 cylinder must be used to operate shoot bolt
 2. ACDV722 & ACDV723 was used for the traffic door
 3. Pack glass tightly along the sides of the traffic door to prevent movement
 4. Pack glass tightly in line with each hinge, roller & top guide
 5. The full test report is available to download at www.smartsystems.co.uk

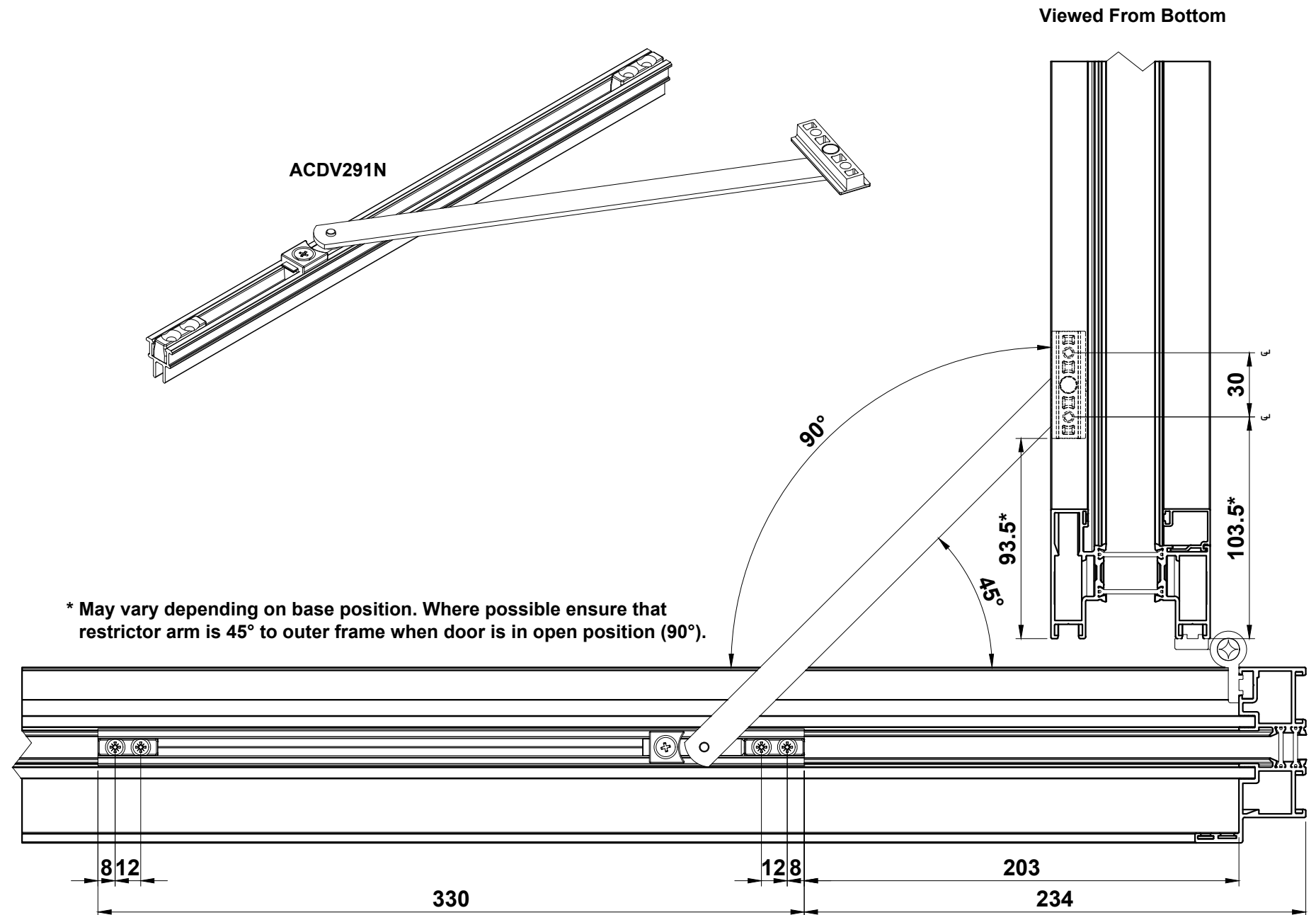
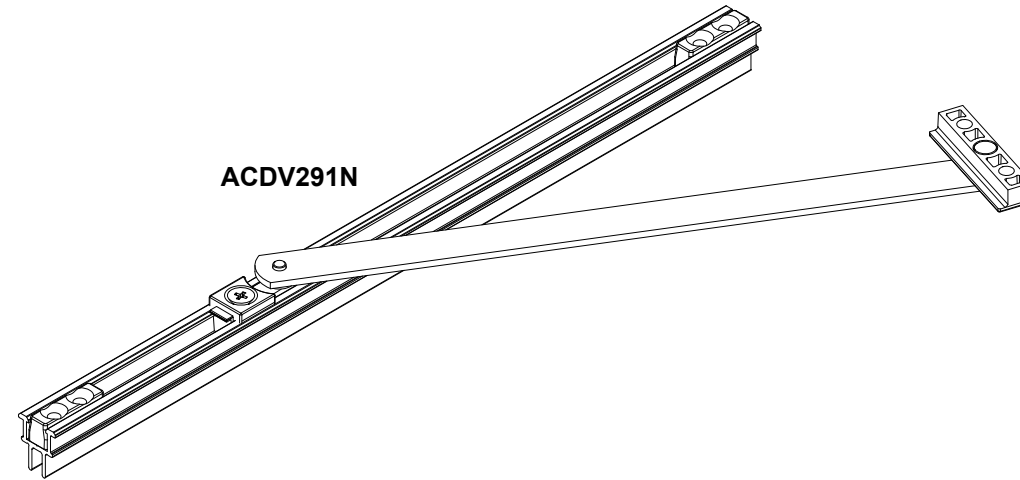
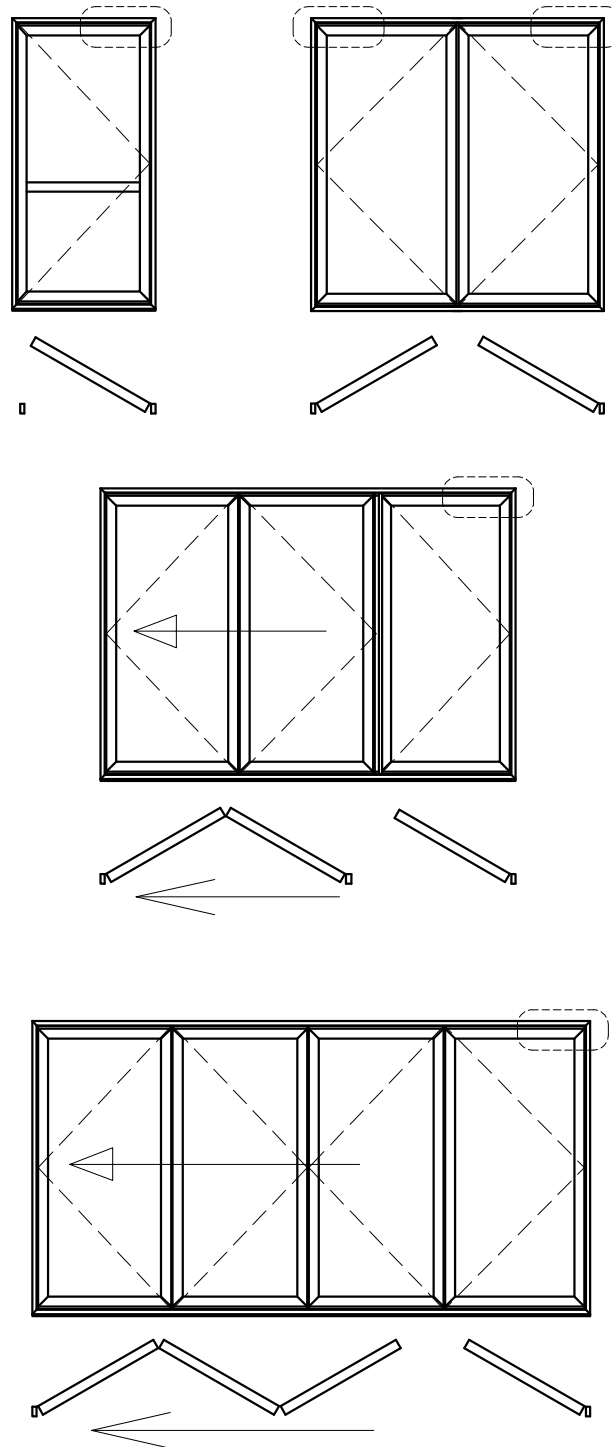


Do Not Scale From This Drawing

ACDV291N Restrictor

Please note.

ACDV291N restrictor stay can only be used on single or double swing door applications, as shown below.



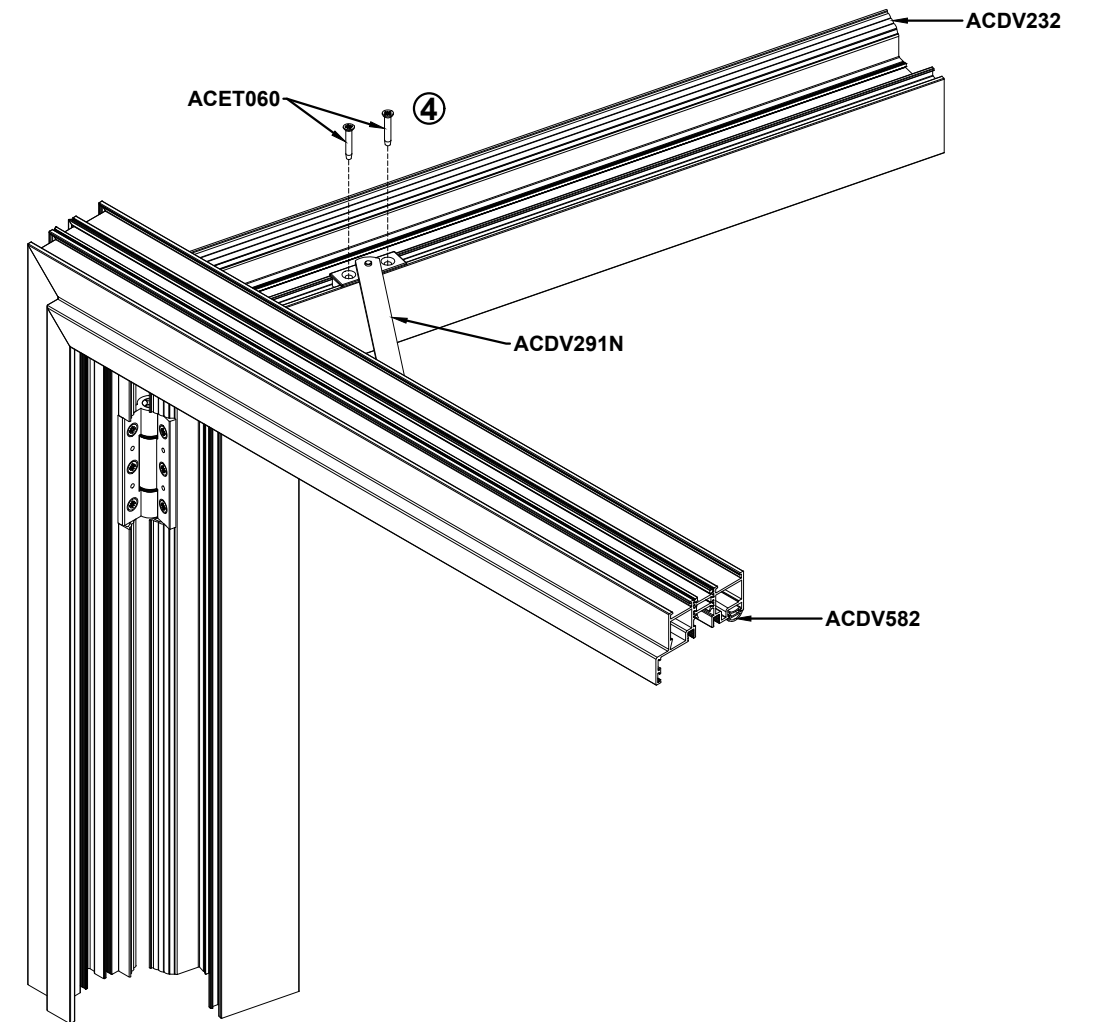
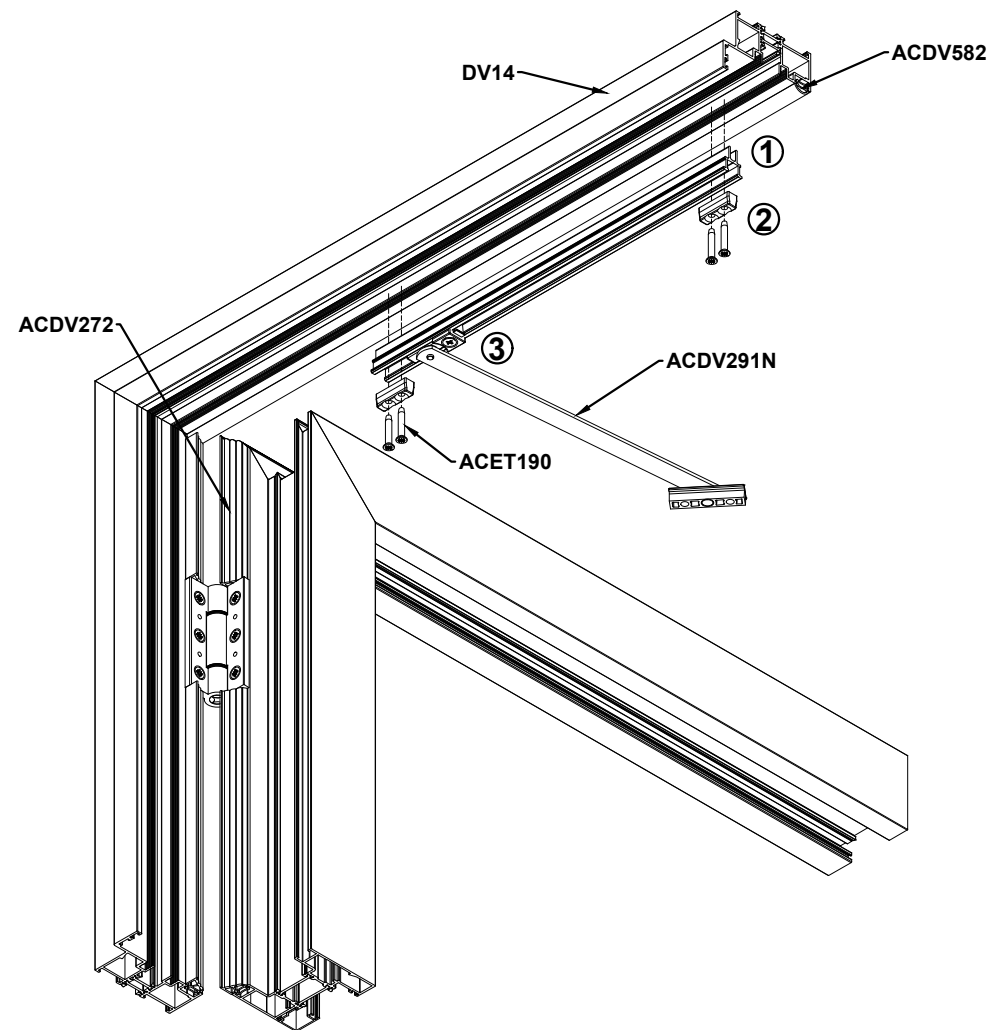
Further fitting details on next page

Do Not Scale From This Drawing

ACDV291N Restrictor

Please Note

Door needs to be closed slightly in order to install both screws as shown below.



- 1) Insert base of ACDV291N into polyamide channel as shown.
- 2) Use 4 x ACET190 polyamide screws to fix the door stops and base in place.

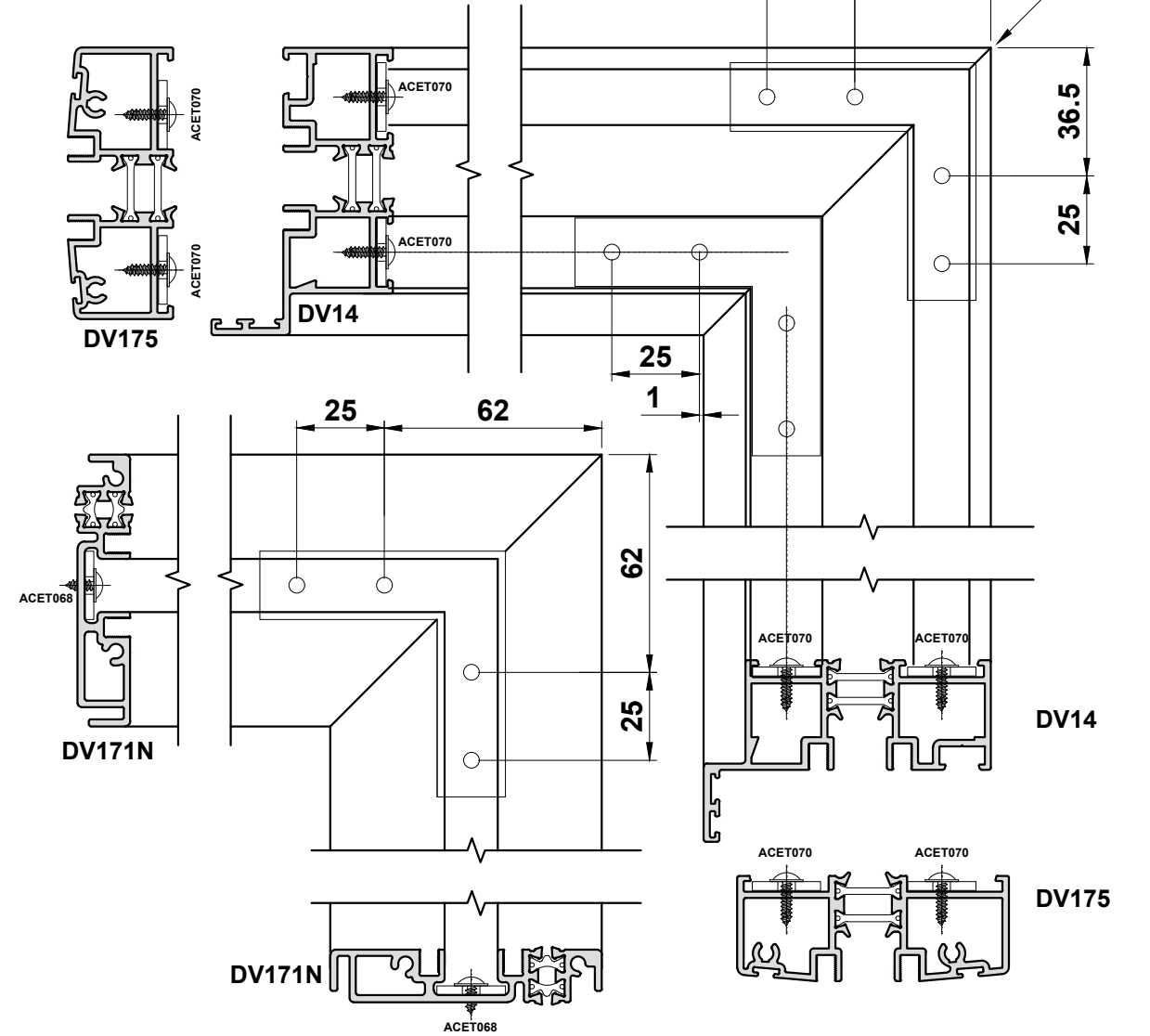
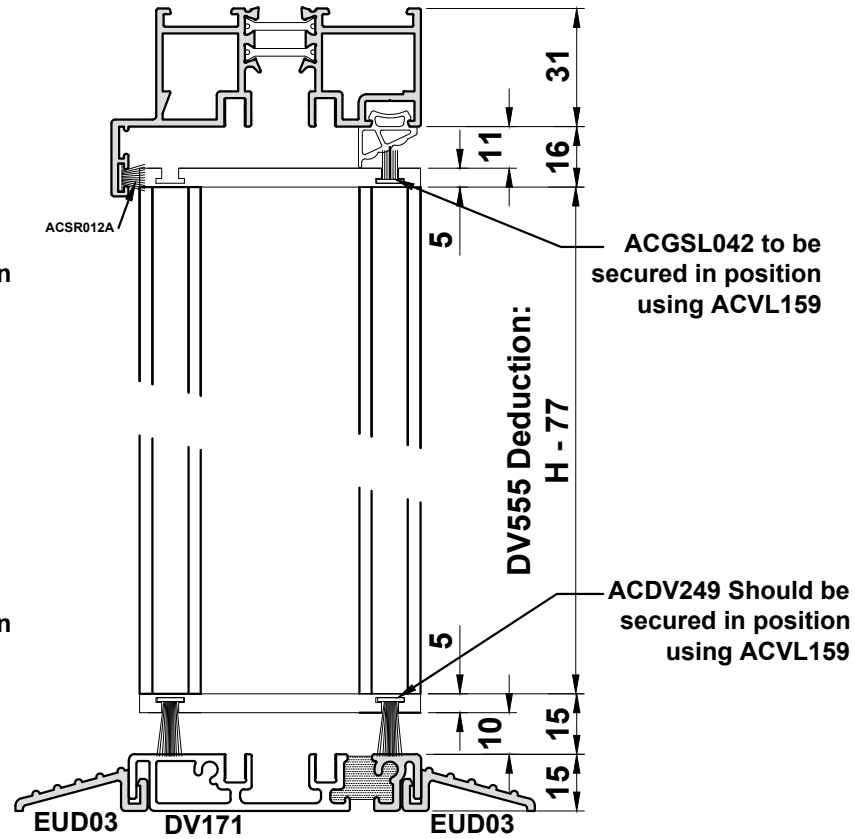
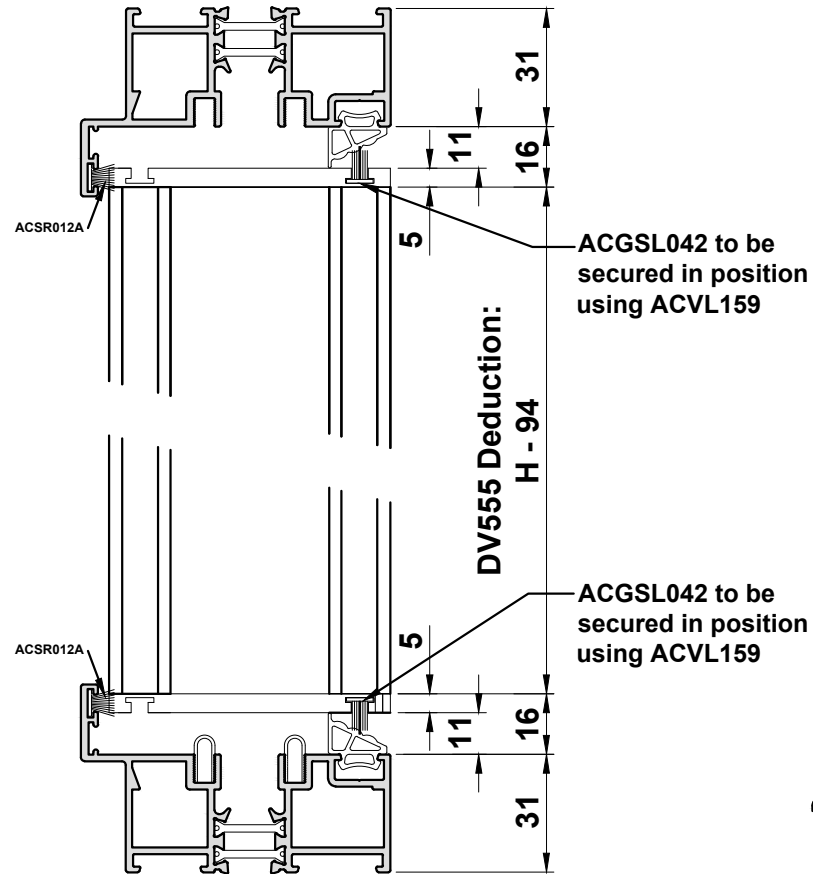
Note: if fixed before door is installed 2 x ACET190 screws (1 each end) can be substituted for 2 x ACDV264 machine screws and 2 x ACDV241 fixing plates to create a stronger fixing.

- 3) Ensure components move freely in channel. If required, apply some ACMX09763 Teflon lubrication spray.
- 4) Adjust door leaf to open at 90°. Once in place insert the restrictor bracket into the internal gasket channel on sash as shown. Spot and drill 2 x Ø3mm holes. Close the door slightly and then fix in place using 2 x ACET060 self tapping screws.

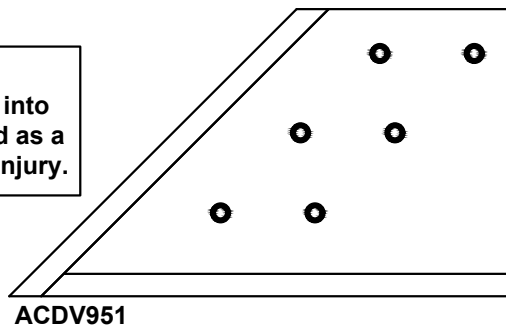
Do Not Scale From This Drawing

Outer Frame 90° Corner Assembly using ACDV552 & ACDV951

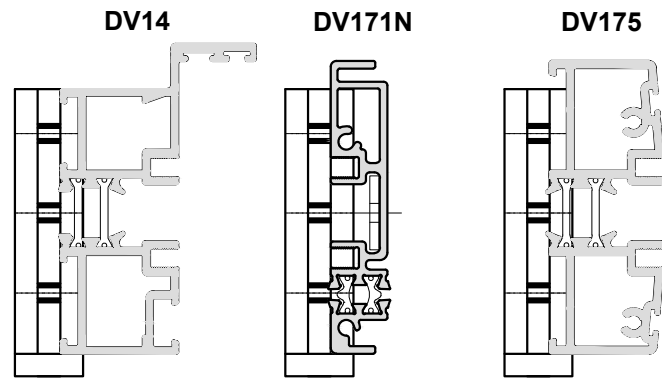
NOTE:
Where DV32 is used, ACSR012A should replace ACDV244N



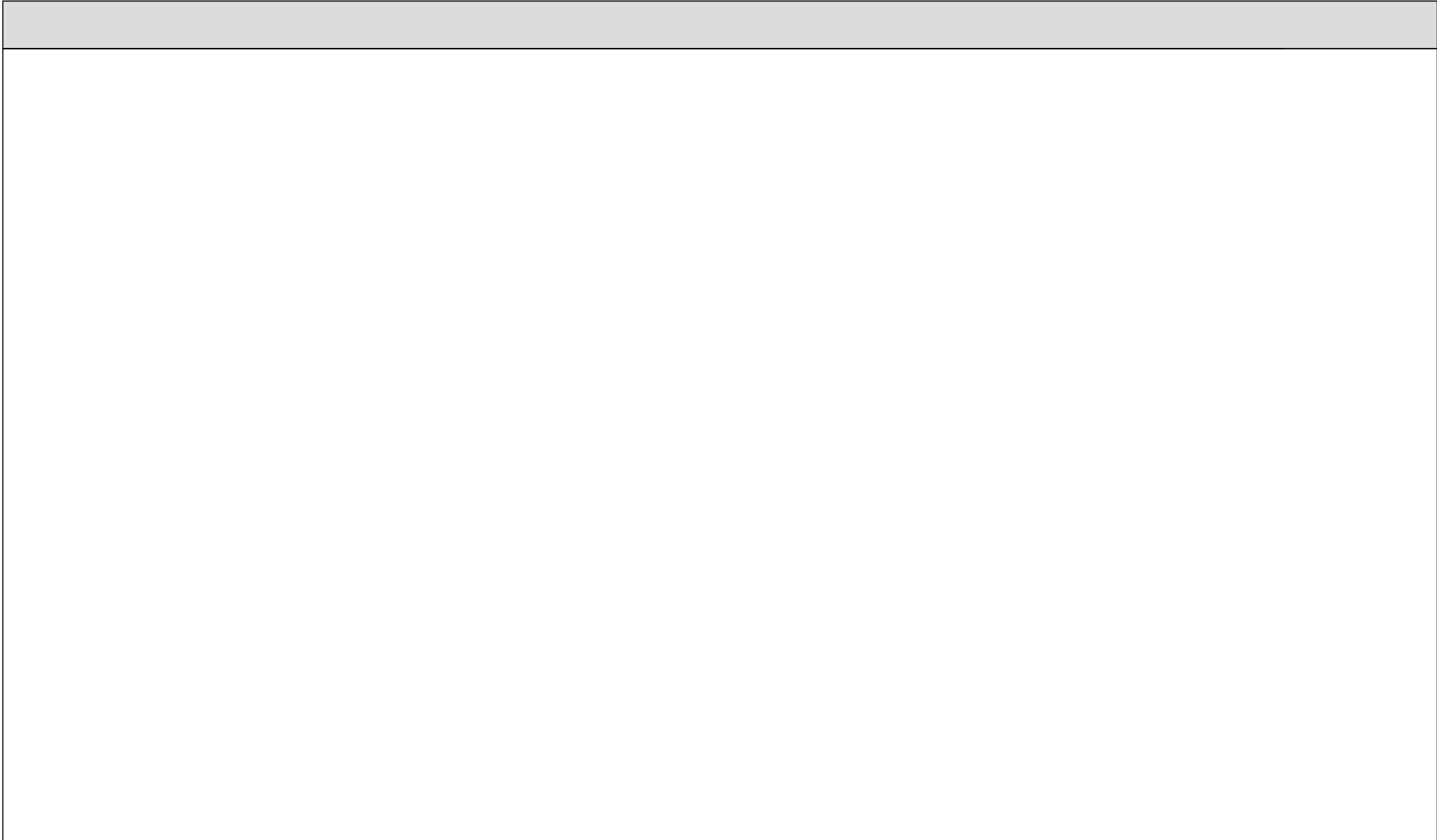
NOTE:
ACDV951 does not clamp into position and must be used as a marking jig only to avoid injury.



ACDV951



Do Not Scale From This Drawing



Do Not Scale From This Drawing

Section F



Sawing Tables - OPEN OUT

Type 1e with Rebated Threshold.....	F03
Type 1e with Low Threshold.....	F04
Type 2e with Rebated Threshold.....	F05
Type 2e with Low Threshold.....	F06
Type 3e with Rebated Threshold.....	F07
Type 3e with Low Threshold.....	F08
Type 4e with Rebated Threshold.....	F09
Type 4e with Low Threshold.....	F10
Type 5e with Rebated Threshold.....	F11
Type 5e with Low Threshold.....	F12
Type 6e with Rebated Threshold.....	F13
Type 6e with Low Threshold.....	F14
Type 7e with Rebated Threshold.....	F15
Type 7e with Low Threshold.....	F16
Type 8e with Adjustable Jamb and Rebated Threshold.....	F17
Single Door with Rebated Threshold.....	F18
Single Door with Low Threshold.....	F19
Double Swing Door with Rebated Threshold.....	F20
Double Swing Door with Low Threshold.....	F21
Double Slide Door with Rebated Threshold.....	F22
Double Slide Door with Low Threshold.....	F23
3/2 Door with Rebated Threshold.....	F24
3/2 Door with Low Threshold.....	F25
4/1 Door with Rebated Threshold.....	F26
4/1 Door with Low Threshold.....	F27

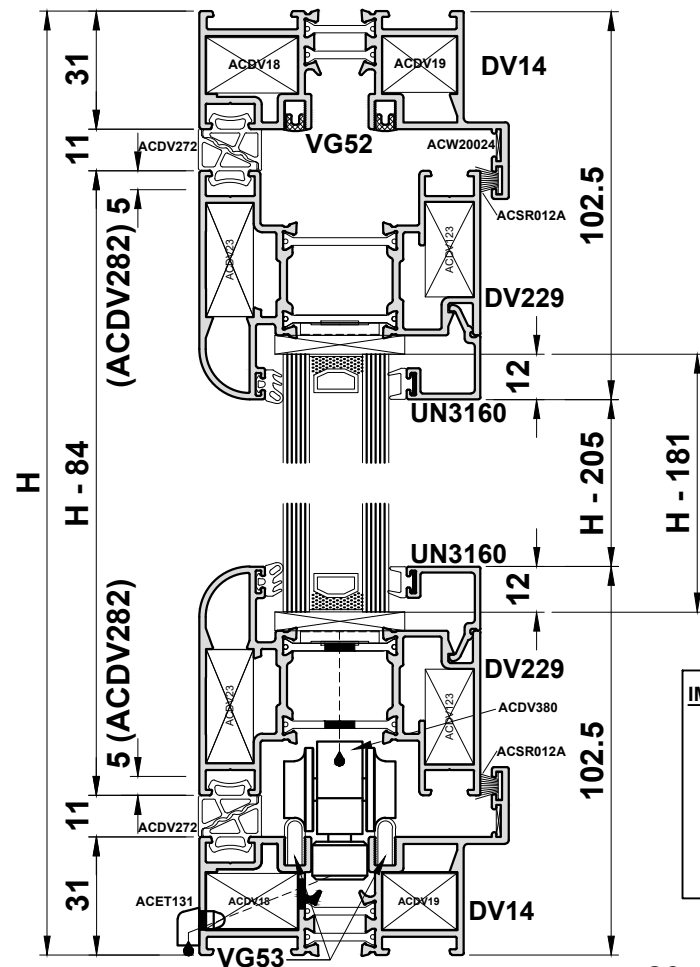
Section F



Sawing Tables - OPEN IN

Type 1i with Rebated Threshold.....	F30
Type 1i with Low Threshold.....	F31
Type 2i with Rebated Threshold.....	F32
Type 2i with Low Threshold.....	F33
Type 3i with Rebated Threshold.....	F34
Type 3i with Low Threshold.....	F35
Type 4i with Rebated Threshold.....	F36
Type 4i with Low Threshold.....	F37
Type 5i with Rebated Threshold.....	F38
Type 5i with Low Threshold.....	F39
Type 6i with Rebated Threshold.....	F40
Type 6i with Low Threshold.....	F41
Type 7i with Rebated Threshold.....	F42
Type 7i with Low Threshold.....	F43
Single Door with Rebated Threshold.....	F44
Single Door with Low Threshold.....	F45
Double Swing Door with Rebated Threshold.....	F46
Double Swing Door with Low Threshold.....	F47
Double Slide Door with Rebated Threshold.....	F48
Double Slide Door with Low Threshold.....	F49
3/2 Door with Rebated Threshold.....	F50
3/2 Door with Low Threshold.....	F51
4/1 Door with Rebated Threshold.....	F52
4/1 Door with Low Threshold.....	F53

Cutting Information



PROFILE CUTTING SCHEDULE

DV14		2		W
DV14		2		H
DV229		6		W/3-52
DV229		6		H-84
DV38		1		H-94
DV76		2		H-84
Glazing Bead		6		W/3-139.5
Glazing Bead		6		H-205
DV60		4		H-62
VG52		2		W-62
VG52		4		H-62
VG53		2		W-62
PCX38		2		H-84

Note: PCX15 required for leaf heights over 2285mm.

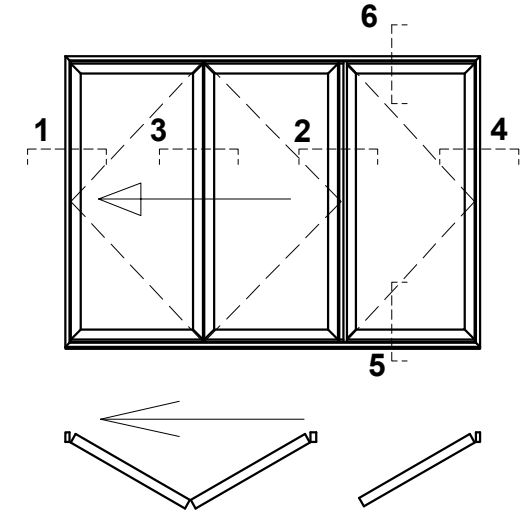
GLASS SIZES	
3 X	W/3 - 149.5
	H - 181

IMPORTANT NOTE:
When using DV220 or DV221 Slim Sash please take the following into account:
- DV220 & DV221 width and height deductions remain the same as standard sashes.
- Beads, Glazing and Glazing Gaskets will need to increase by 10mm (Example: H-205 will change to H-195).
- ACDV123 or ACDV29 Cleats must be used.
- Use DV177 Rebate Adapter on exterior (Example: Interior = DV76 & Exterior = DV177)
- Use PCX38 in place of PCX36
- Use handles suitable for DV220 / DV221 refer to Section B for compatible options
- Please refer to Lock Table in section E

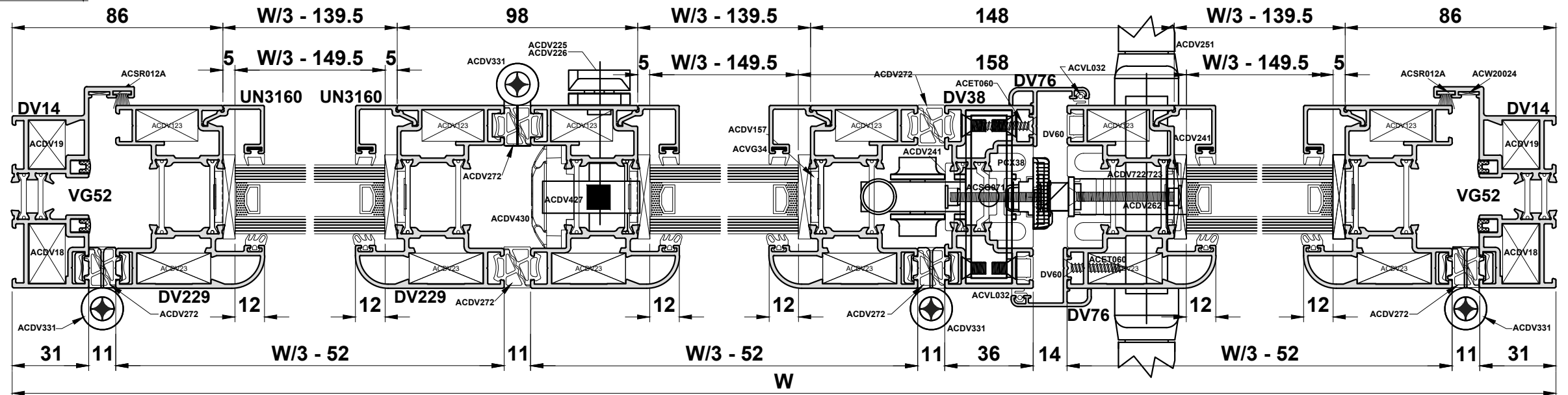
ACCESSORIES

ACDV18	4	CLEAT FOR DV14
ACDV19	4	CLEAT FOR DV14
ACDV23	12	CLEAT FOR DV228 & DV229
ACDV123	12	CLEAT FOR DV228 & DV229
ACDV080	1	RUN UP BLOCK
ACDV225 or 226	1	SHOOTBOLT HANDLE
ACDV427	1	SHOOTBOLT GEARBOX
ACDV328	1 (PAIR)	SHOOTBOLT ROD
ACDV229	1 (PAIR)	SHOOTBOLT GUIDE
ACDV430	1	SHOOTBOLT COVER
ACDV331	15	INTERMEDIATE HINGE
ACDV234	1	D-HANDLE/HINGE
ACDV241	22	FIXING BLOCK FOR LOCK & KEEPS
ACDV251	1 (PAIR)	LEVER HANDLES
ACDV258 (SL)	1	50/50 CYLINDER
ACDV262	22	SCREW FOR LOCK & KEEPS
ACDV272	4 x (W-62) 12 x (H-62)	SEALING GASKET (cut to fit)
ACDV275	3	CORNER MOULDS
ACDV380	1	DV32 BOTTOM ROLLER
ACDV381	1	DV32 TOP GUIDE
ACDV282	4	WOOLPILE CARRIER
ACDV76	2 (PAIRS)	END CAP FOR DV76
ACDV722/23	1	MULTI-POINT LOCK
ACET060	24	SCREW FOR DV76 & ACDV282
ACET133	2	SCREW FOR ACDV225/6
ACET131	2	DRAIN HOLE COVER
ACM01604 (SL)	1	HALF CYLINDER
ACVG31	6 x (W/3-149) + 6 x (H-181)	EXTERNAL GLAZING GASKET
ACVG34	6 x (W/3-149) + 6 x (H-181)	INTERNAL GLAZING GASKET
ACVL032	2 x (H-84)	DV76 FLIPPER GASKET
ACSR012A	2 x (W-90) + 2 x (H-90)	WOOLPILE
ACSR012A	4 x 47mm	WOOLPILE FOR ENDCAPS
ACW20024	4	CHEVRON FOR DV14
ACDV295	1 PER SASH FRAME	GLASS ADJUSTER KIT
ACDV385	1	FLOATING MULLION GUIDE

Type 1e

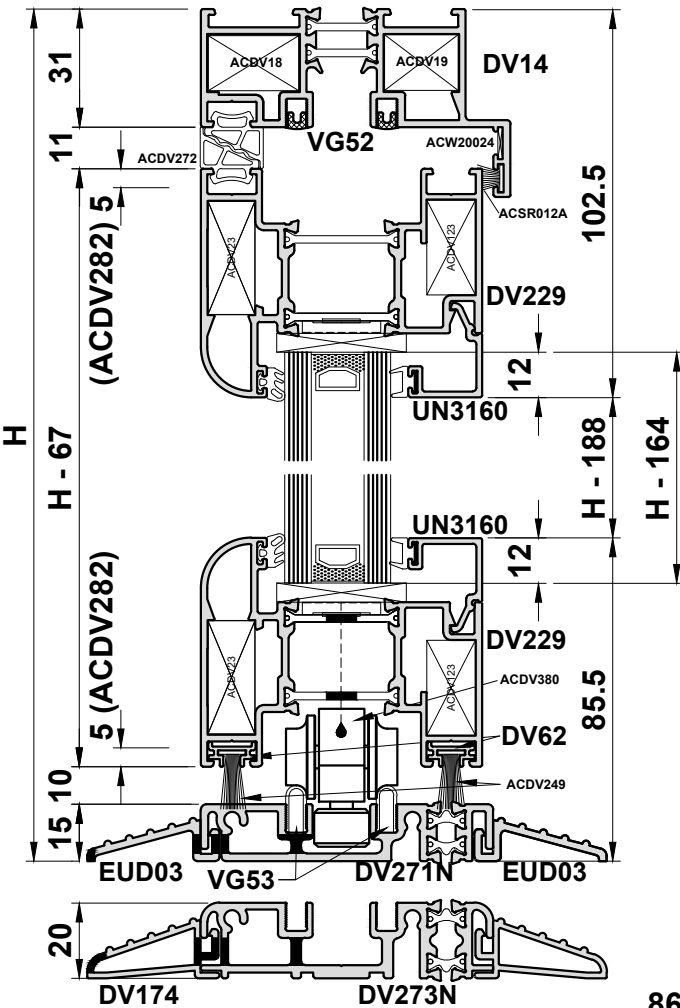


IMPORTANT NOTE:
Min. Sash Width 700mm / Max. Sash Width 1200mm
Max. Sash Weight 100kg
Max. Sash Height 2500mm Dependant On Site Conditions
Always Measure In the Last Vent.



Do Not Scale From This Drawing

Cutting Information



DV14		1		W
DV14		2		H
DV271N		1		W-66
EUD03		1		W-66
EUD03		1		W-103
DV229		6		W/3-52
DV229		6		H-67
DV38		1		H-77
DV76		2		H-67
DV62		2		W/3-58.5
DV62		4		W/3-65
Glazing Bead		6		W/3-138.5
Glazing Bead		6		H-188
DV60		4		H-46
VG52		2		W-62
VG52		4		H-46
VG53		2		W-62
PCX38		2		H-67

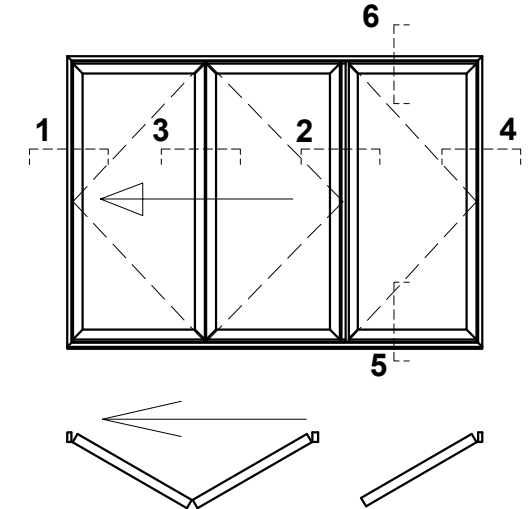
PROFILE CUTTING SCHEDULE (DV273)

DV273		1		W-66
DV174		1		W-66
DV174		1		W-103
DV23		6		H-72
DV38		1		H-82
DV76		2		H-72
Glazing Bead		6		H-193
DV60		4		H-66
PCX38		2		H-72

Note: PCX15 required for leaf heights over 2285mm.

ACDV18	2	CLEAT FOR DV14
ACDV19	2	CLEAT FOR DV14
ACDV271N/173N	2	THRESHOLD ENDCAP
ACDV23	12	CLEAT FOR DV228 & DV229
ACDV123	12	CLEAT FOR DV228 & DV229
ACDV225 or 226	1	SHOOTBOLT HANDLE
ACDV427	1	SHOOTBOLT GEARBOX
ACDV328	1 (PAIR)	SHOOTBOLT ROD
ACDV229	1 (PAIR)	SHOOTBOLT GUIDE
ACDV430	1	SHOOTBOLT COVER
ACDV331	15	INTERMEDIATE HINGE
ACDV234	1	D-HANDLE/HINGE
ACDV241	22	FIXING BLOCK FOR LOCK & KEEPS
ACDV249	6 x (W/3-51) + 2 x (42)	WOOLPILE
ACDV251	1 (PAIR)	LEVER HANDLES
ACDV258 (SL)	1	50/50 CYLINDER
ACDV262	22	SCREW FOR LOCK & KEEPS
ACDV272	2 x (W-62) 12 x (H-46)	SEALING GASKET (cut to fit)
ACDV275	3	CORNER MOULDS
ACDV380	1	DV32 BOTTOM ROLLER
ACDV381	1	DV32 TOP GUIDE
ACDV282	4	WOOLPILE CARRIER
ACDV284	2	ACDV380 & ACDV281 ISOLATOR
ACDV76	2 (PAIRS)	END CAP FOR DV76
ACDV722/23	1	MULTI-POINT LOCK
ACDR052	4	SCREWS FOR THRESHOLD
ACET060	24	SCREW FOR DV76 & ACDV282
ACET133	2	SCREW FOR ACDV225/6
ACMX01604 (SL)	1	HALF CYLINDER
ACVG31	6 x (W/3-149) + 6 x (H-164)	EXTERNAL GLAZING GASKET
ACVG34	6 x (W/3-149) + 6 x (H-164)	INTERNAL GLAZING GASKET
ACVL032	2 x (H-84)	DV76 FLIPPER GASKET
ACSR012A	2 x 47mm	WOOLPILE FOR ENDCAPS
ACSR012A	1 x (W-90) 2 x (H-65)	WOOLPILE
ACDV249	2 x 47mm	WOOLPILE FOR ACDV282
ACW20024	2	CHEVRON FOR DV14
ACDV292	1	BRUSH PILE CARRIER
ACDV295	1 PER SASH FRAME	GLASS ADJUSTER KIT
ACDV385	1	FLOATING MULLION GUIDE

Type 1e



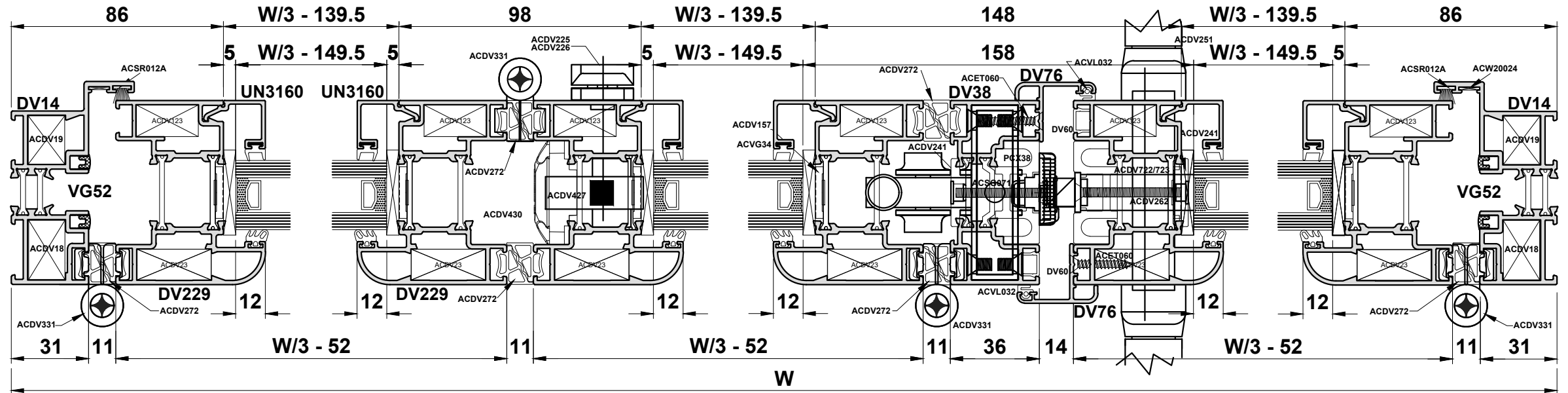
IMPORTANT NOTE:
Min. Sash Width 700mm / Max. Sash Width 1200mm
Max. Sash Weight 100kg
Max. Sash Height 2500mm Dependant On Site Conditions
Always Measure In the Last Vent.

GLASS DEDUCTIONS

DV271N	3 x	W/3 - 148.5	H - 164
DV273N	3 x	W/3 - 148.5	H - 169

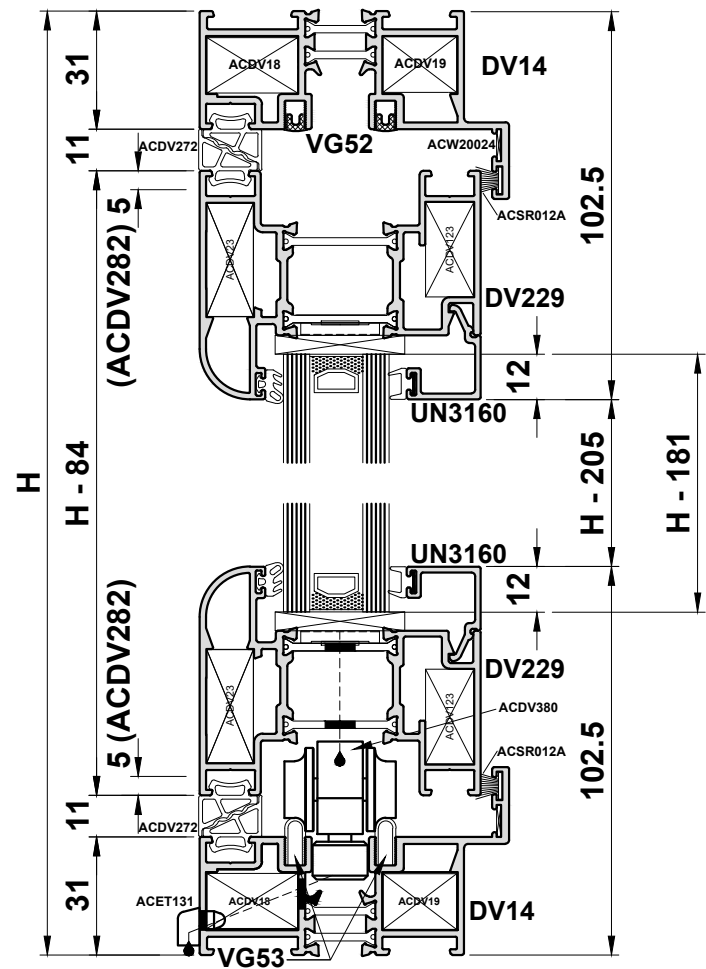
IMPORTANT NOTE:

- When using DV220 or DV221 Slim Sash please take the following into account:
- DV220 & DV221 width and height deductions remain the same as standard sashes.
- Beads, Glazing and Glazing Gaskets will need to increase by 10mm (Example: H-205 will change to H-195).
- ACDV123 or ACDV29 Cleats must be used.
- Use DV177 Rebate Adapter on exterior (Example: Interior = DV76 & Exterior = DV177)
- Use PCX38 in place of PCX36
- Use handles suitable for DV220 / DV221 refer to Section B for compatible options
- Please refer to Lock Table in section E



Do Not Scale From This Drawing

Cutting Information



PROFILE CUTTING SCHEDULE

DV14		2		W
DV14		2		H
DV23		6		W/3-36.5
DV229		6		H-84
DV76		1		H-84
Glazing Bead		6		W/3-124
Glazing Bead		6		H-205
DV60		3		H-62
VG52		2		W-62
VG52		4		H-62
VG53		2		W-62
PCX36		1		H-84

Note: PCX15 required for leaf heights over 2285mm.

GLASS SIZES	3 X	W/3 - 134
		H - 181

FOR ENHANCED WEATHER PERFORMANCE REPLACE ACDV244N FLIPPER GASKET WITH ACDV268 BUBBLE GASKET

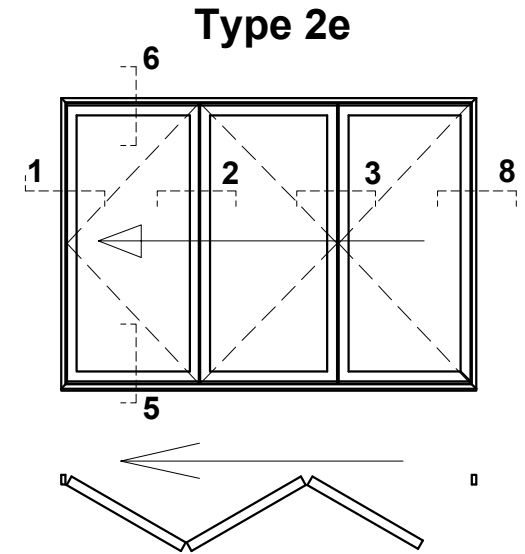
IMPORTANT NOTE:

Min. Sash Width 700mm / Max. Sash Width 1200mm
Max. Sash Weight 100kg
Max. Sash Height 2500mm Dependant On Site Conditions
Always Measure In the Last Vent.

ACCESSORIES

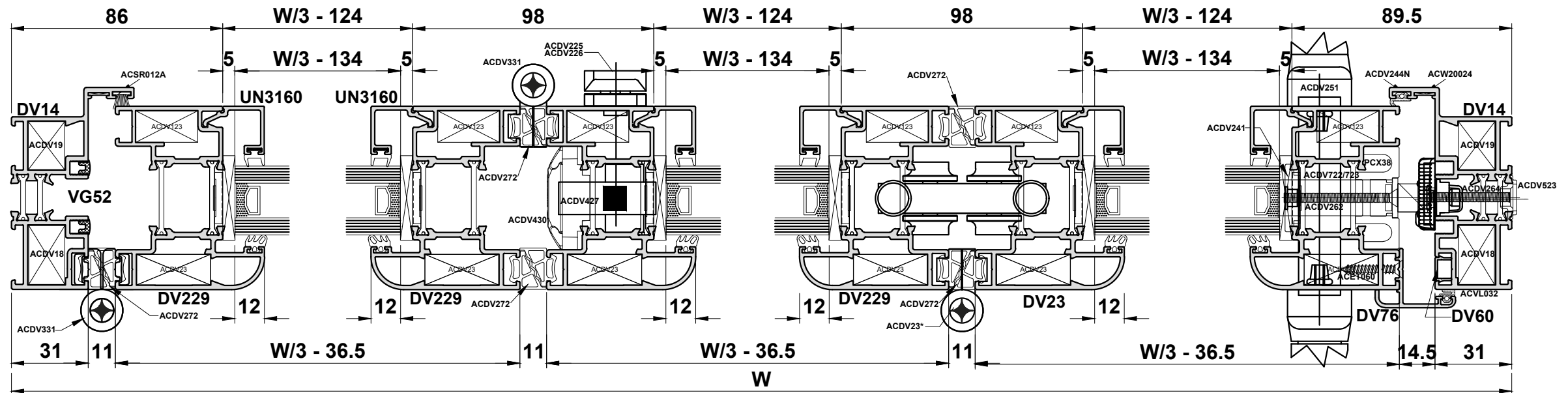
ACDV18	4	CLEAT FOR DV14
ACDV19	4	CLEAT FOR DV14
ACDV23	12	CLEAT FOR DV228 & DV229
ACDV123	12	CLEAT FOR DV228 & DV229
ACDV080	1	RUN UP BLOCK
ACDV225 or 226	1	SHOOTBOLT HANDLE
ACDV427	1	SHOOTBOLT GEARBOX
ACDV328	1 (PAIR)	SHOOTBOLT ROD
ACDV229	1 (PAIR)	SHOOTBOLT GUIDE
ACDV430	1	SHOOTBOLT COVER
ACDV331	9	INTERMEDIATE HINGE
ACDV232	1	BOTTOM ROLLER HINGE
ACDV233	1	TOP GUIDE HINGE
ACDV234	1	D-HANDLE/HINGE
ACDV241	11	FIXING BLOCK FOR LOCK
ACDV244N	2 x (W-90) + 2 x (H-90)	FLIPPER GASKET
ACDV251	1 (PAIR)	LEVER HANDLES
ACDV258 (SL)	1	50/50 CYLINDER
ACDV262	11	SCREW FOR LOCK
ACDV264	11	SCREW FOR KEEPS
ACDV272	4 x (W-62) 10 x (H-62)	SEALING GASKET (cut to fit)
ACDV275	3	CORNER MOULDS
ACDV76	1 (PAIR)	END CAP FOR DV76
ACDV722/23	1	MULTI-POINT LOCK
ACET060	11	SCREW FOR DV76
ACET133	2	SCREW FOR ACDV225/6
ACET131	2	DRAIN HOLE COVER
ACMX01604 (SL)	1	HALF CYLINDER
ACDV523	11	FIXING BLOCK FOR KEEPS
ACVG31	6 x (W/3-133) + 6 x (H-181)	EXTERNAL GLAZING GASKET
ACVG34	6 x (W/3-133) + 6 x (H-181)	INTERNAL GLAZING GASKET
ACVL032	1 x (H-84)	DV76 FLIPPER GASKET
ACW20024	4	CHEVRON FOR DV14
ACDV295	1 PER SASH FRAME	GLASS ADJUSTER KIT
ACDV308	1	MAGNETIC CATCH

+ Optional: 1 x ACDV396 Shootbolt Keep if Sash is over 2300mm high



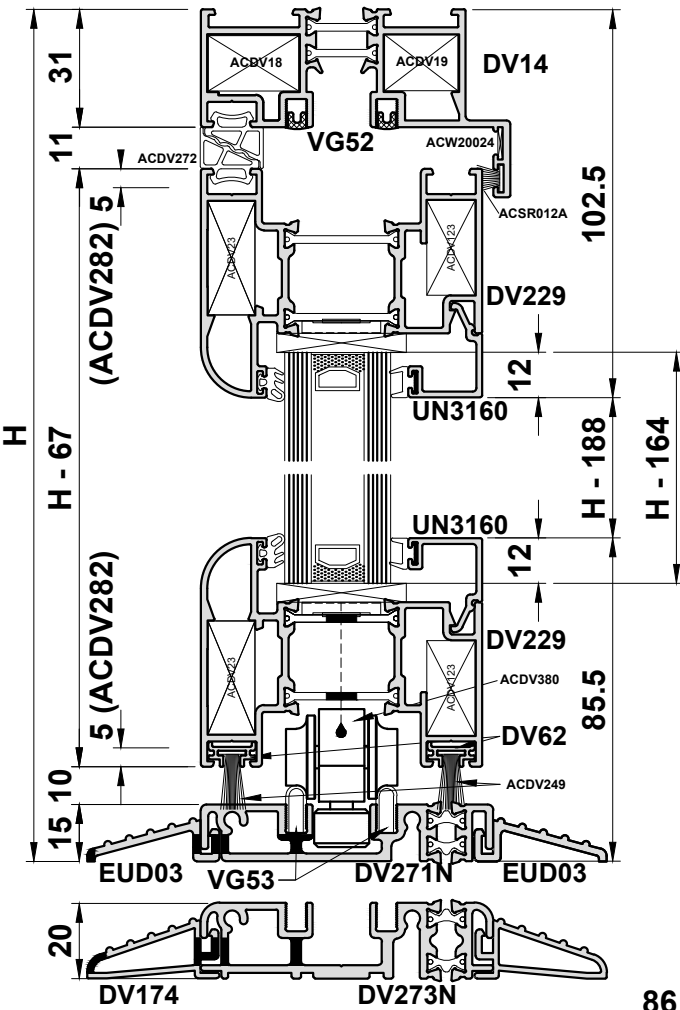
IMPORTANT NOTE:

- When using DV220 or DV221 Slim Sash please take the following into account:
- DV220 & DV221 width and height deductions remain the same as standard sashes.
- Beads, Glazing and Glazing Gaskets will need to increase by 10mm (Example: H-205 will change to H-195).
- ACDV123 or ACDV29 Cleats must be used.
- Use DV177 Rebate Adapter on exterior (Example: Interior = DV76 & Exterior = DV177)
- Use PCX38 in place of PCX36
- Use handles suitable for DV220 / DV221 refer to Section B for compatible options
- Please refer to Lock Table in section E



Do Not Scale From This Drawing

Cutting Information



PROFILE CUTTING SCHEDULE

DV14	[Symbol]	1	[Symbol]	W
DV14	[Symbol]	2	[Symbol]	H
DV271N	[Symbol]	1	[Symbol]	W-66
EUD03	[Symbol]	1	[Symbol]	W-66
EUD03	[Symbol]	1	[Symbol]	W-103
DV229	[Symbol]	6	[Symbol]	W/3-36.5
DV229	[Symbol]	6	[Symbol]	H-67
DV60	[Symbol]	3	[Symbol]	H-46
DV62	[Symbol]	2	[Symbol]	W/3-43
DV62	[Symbol]	4	[Symbol]	W/3-49.5
Glazing Bead	[Symbol]	6	[Symbol]	W/3-124
Glazing Bead	[Symbol]	6	[Symbol]	H-188
DV76	[Symbol]	1	[Symbol]	H-67
VG52	[Symbol]	2	[Symbol]	W-62
VG52	[Symbol]	4	[Symbol]	H-46
VG53	[Symbol]	2	[Symbol]	W-62
PCX38	[Symbol]	1	[Symbol]	H-67

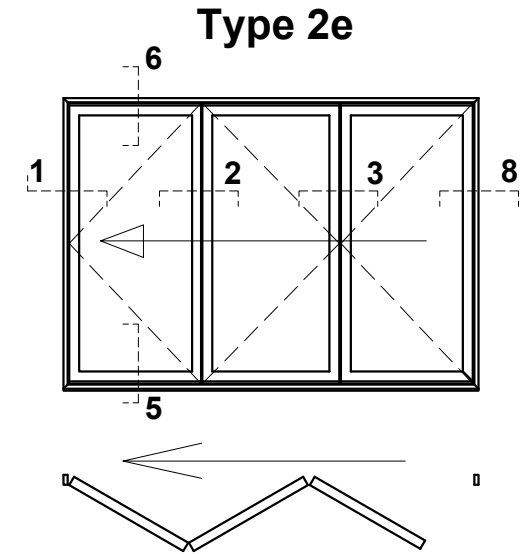
PROFILE CUTTING SCHEDULE (DV273)

DV273N	[Symbol]	1	[Symbol]	W-66
DV174	[Symbol]	1	[Symbol]	W-66
DV174	[Symbol]	1	[Symbol]	W-103
DV229	[Symbol]	6	[Symbol]	H-72
DV60	[Symbol]	1	[Symbol]	H-51
DV76	[Symbol]	1	[Symbol]	H-72
Glazing Bead	[Symbol]	6	[Symbol]	H-193
PCX38	[Symbol]	1	[Symbol]	H-72

Note: PCX15 required for leaf heights over 2285mm.

ACCESSORIES

ACDV18	2	CLEAT FOR DV14
ACDV19	2	CLEAT FOR DV14
ACDV23	12	CLEAT FOR DV228 & DV229
ACDV123	12	CLEAT FOR DV228 & DV229
ACDV271N/173N	2	THRESHOLD ENDCAP
ACDV225 or 226	1	SHOOTBOLT HANDLE
ACDV427	1	SHOOTBOLT GEARBOX
ACDV328	1 (PAIR)	SHOOTBOLT ROD
ACDV229	1 (PAIR)	SHOOTBOLT GUIDE
ACDV430	1	SHOOTBOLT COVER
ACDV331	9	INTERMEDIATE HINGE
ACDV232	1	BOTTOM ROLLER HINGE
ACDV233	1	TOP GUIDE HINGE
ACDV234	1	D-HANDLE/HINGE
ACDV241	11	FIXING BLOCK FOR LOCK
ACDV244N	1 x (W-90) + 2 x (H-65)	FLIPPER GASKET
ACDV249	6 x (W/3-63)	WOOLPILE
ACDV251	1 (PAIR)	LEVER HANDLES
ACDV252	1	STRIKE PLATE
ACDV254	6 (PAIRS)	INFILL BLOCK
ACDV258 (SL)	1	50/50 CYLINDER
ACDV262	11	SCREW FOR LOCK
ACDV264	11	SCREW FOR KEEPS
ACDV272	2 x (W-62) 10 x (H-46)	SEALING GASKET
ACDV275	3	CORNER MOULDS
ACDV76	1 (PAIR)	END CAP FOR DV76
ACDV722/23	1	MULTI-POINT LOCK
ACDR052	4	SCREWS FOR THRESHOLD
ACET060	41	SCREW FOR DV76 & ACDV252
ACET133	2	SCREW FOR ACDV225/6
ACM01604 (SL)	1	HALF CYLINDER
ACDV523	11	FIXING BLOCK FOR KEEPS
ACVG31	6 x (W/3-133) + 6 x (H-181)	EXTERNAL GLAZING GASKET
ACVG34	6 x (W/3-133) + 6 x (H-181)	INTERNAL GLAZING GASKET
ACVL032	1 x (H-84)	DV76 FLIPPER GASKET
ACW20024	2	CHEVRON FOR DV14
ACDV295	1 PER SASH FRAME	GLASS ADJUSTER KIT
ACSR012A	1 x (W-90) + 2 x (H-65)	WOOLPILE



IMPORTANT NOTE:
Min. Sash Width 700mm / Max. Sash Width 1200mm
Max. Sash Weight 100kg
Max. Sash Height 2500mm Dependant On Site Conditions
Always Measure In the Last Vent.

GLASS DEDUCTIONS

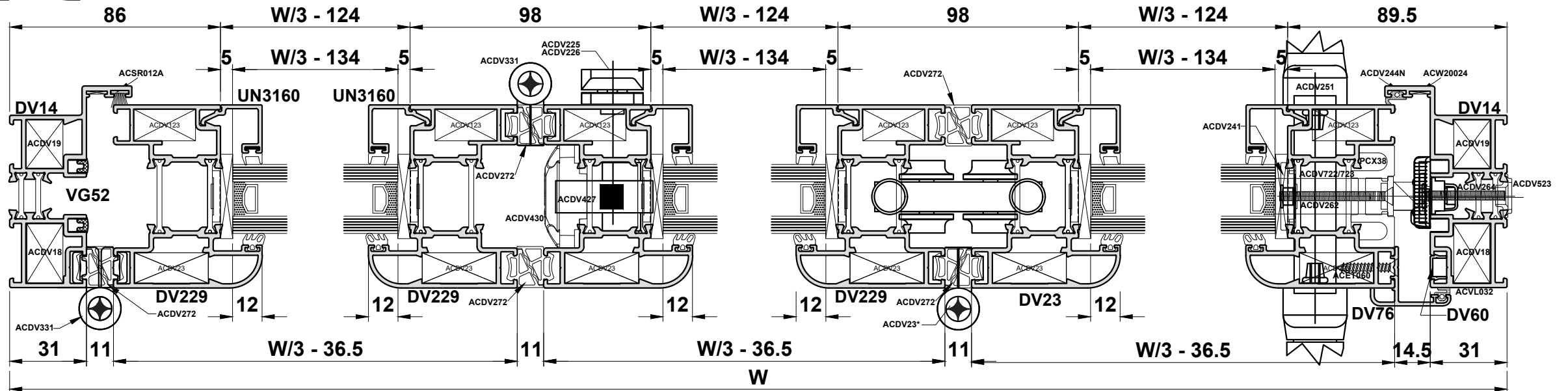
DV271N	3 x	W/3 - 134	H - 164
DV273N	3 x	W/3 - 134	H - 169

ACDV308 1 MAGNETIC CATCH
+ Optional: 1 x ACDV396 Shootbolt Keep if Sash is over 2300mm high

IMPORTANT NOTE:

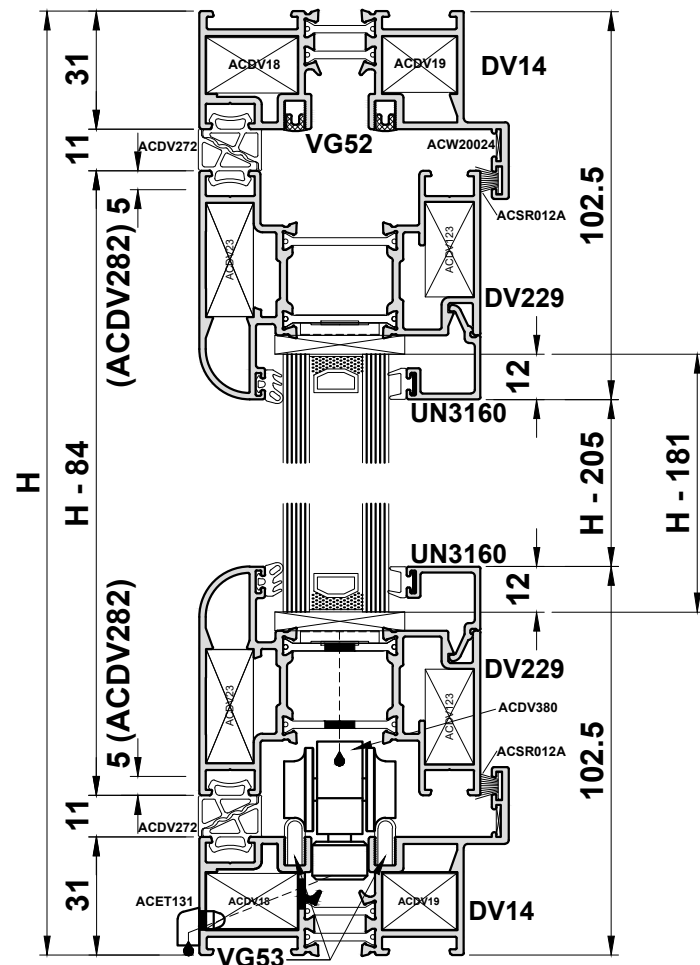
- When using DV220 or DV221 Slim Sash please take the following into account: DV220 & DV221 width and height deductions remain the same as standard sashes.
- Beads, Glazing and Glazing Gaskets will need to increase by 10mm (Example: H-205 will change to H-195).
- ACDV123 or ACDV29 Cleats must be used.
- Use DV177 Rebate Adapter on exterior (Example: Interior = DV76 & Exterior = DV177)
- Use PCX38 in place of PCX36
- Use handles suitable for DV220 / DV221 refer to Section B for compatible options
- Please refer to Lock Table in section E

FOR ENHANCED WEATHER PERFORMANCE REPLACE ACDV244N FLIPPER GASKET WITH ACDV268 BUBBLE GASKET



Do Not Scale From This Drawing

Cutting Information



PROFILE CUTTING SCHEDULE

DV14		2		W
DV14		2		H
DV229		8		W/4 - 41
DV229		8		H-84
DV32		1		H-94
DV56		1		H-84
DV60		3		H-62
Glazing Bead		8		W/4 - 128.5
Glazing Bead		8		H-205
VG52		2		W-62
VG52		4		H-62
VG53		2		W-62

GLASS SIZES	
4 X	W/4 - 138.5
	H - 181

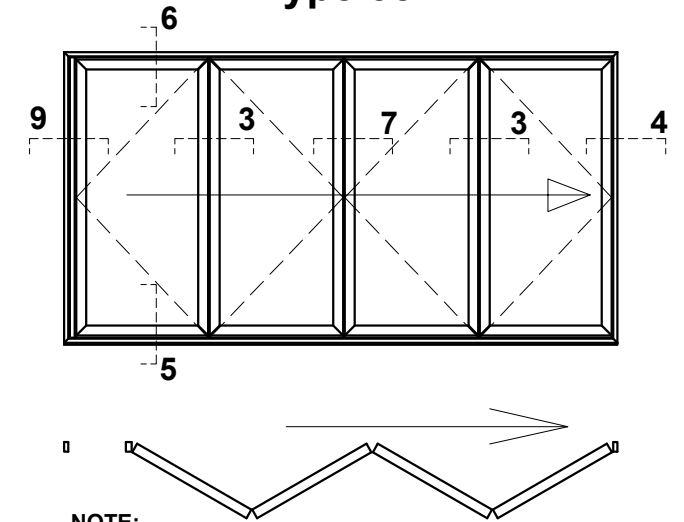
IMPORTANT NOTE:

- When using DV220 or DV221 Slim Sash please take the following into account:
- DV220 & DV221 width and height deductions remain the same as standard sashes.
- Beads, Glazing and Glazing Gaskets will need to increase by 10mm (Example: H-205 will change to H-195).
- ACDV123 or ACDV29 Cleats must be used.
- Use DV177 Rebate Adapter on exterior (Example: Interior = DV76 & Exterior = DV177)
- Use PCX38 in place of PCX36
- Use handles suitable for DV220 / DV221 refer to Section B for compatible options
- Please refer to Lock Table in section E

ACCESSORIES

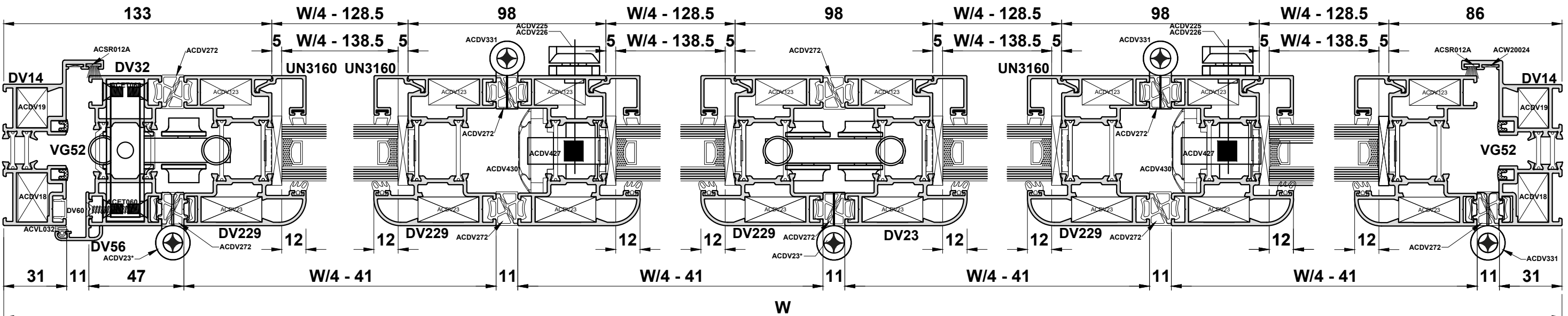
ACDV18	4	CLEAT FOR DV14
ACDV19	4	CLEAT FOR DV14
ACDV23	16	CLEAT FOR DV228 & DV229
ACDV123	16	CLEAT FOR DV228 & DV229
ACDV225 or 226	2	SHOOTBOLT HANDLE
ACDV427	2	SHOOTBOLT GEARBOX
ACDV328	2 (PAIRS)	SHOOTBOLT ROD
ACDV229	2 (PAIRS)	SHOOTBOLT GUIDE
ACDV430	2	SHOOTBOLT COVER
ACDV331	16	INTERMEDIATE HINGE
ACDV232	1	BOTTOM ROLLER HINGE
ACDV233	1	TOP GUIDE HINGE
ACDV234	2	D-HANDLE/HINGE
ACDV272	4 x (W-62) 18 x (H-62)	SEALING GASKET (cut to fit)
ACDV275	4	CORNER MOULDS
ACDV380	1	DV32 BOTTOM ROLLER
ACDV381	1	DV32 TOP GUIDE
ACDV282	8	WOOLPILE CARRIER
ACDV56	1 (PAIR)	END CAP FOR DV56
ACET060	27	SCREW FOR DV56 & ACDV282
ACET133	4	SCREW FOR ACDV225/6
ACET131	2	DRAIN HOLE COVER
ACMX01604 (SL)	2	HALF CYLINDER
ACSR012A	2 x (W-90) + 2 x (H-90)	WOOLPILE
ACSR012A	4 x 47mm	WOOLPILE FOR ACDV282
ACVG31	8 x (W/4-139) + 8 x (H-181)	EXTERNAL GLAZING GASKET
ACVG34	8 x (W/4-139) + 8 x (H-181)	INTERNAL GLAZING GASKET
ACVL032	1 x (H-84)	DV56 FLIPPER GASKET
ACW20024	4	CHEVRON FOR DV14
ACDV295	1 PER SASH FRAME	GLASS ADJUSTER KIT
ACDV385	1	FLOATING MULLION GUIDE

Type 3e



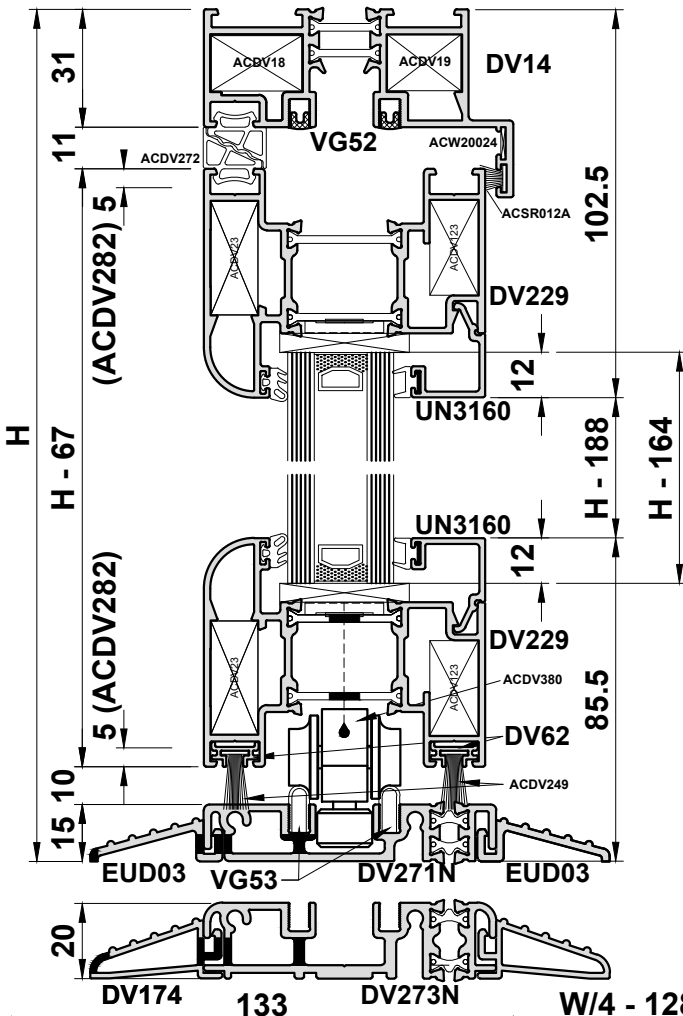
NOTE:
Design Type 3e does not offer external access or an individual traffic door.

IMPORTANT NOTE:
Min. Sash Width 700mm / Max. Sash Width 1200mm
Max. Sash Weight 100kg
Max. Sash Height 2500mm Dependant On Site Conditions
Always Measure In the Last Vent.



Do Not Scale From This Drawing

Cutting Information



PROFILE CUTTING SCHEDULE

DV14		1		W
DV14		2		H
DV271		1		W-66
EUD03		1		W-66
EUD03		1		W-103
DV229		8		W/4-41
DV229		8		H-67
DV32		1		H-77
DV56		1		H-67
DV60		3		H-46
DV62		1		W/4-47.5
DV62		7		W/4-54
Glazing Bead		8		W/4-117
Glazing Bead		8		H-188
VG52		2		W-62
VG52		4		H-46
VG53		2		W-62

PROFILE CUTTING SCHEDULE (DV273N)

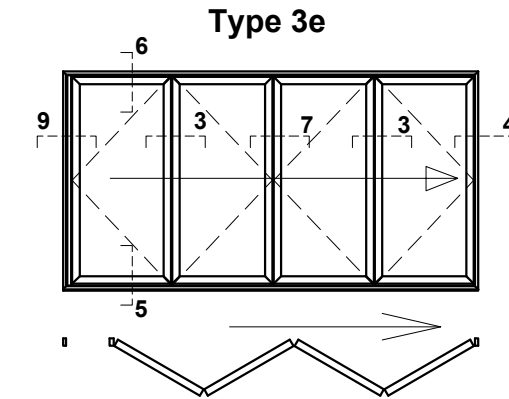
DV273		1		W-66
DV174		1		W-66
DV174		1		W-103
DV229		8		H-72
DV32		1		H-82
DV56		1		H-72
DV60		1		H-51
Glazing Bead		8		H-193

GLASS DEDUCTIONS

DV271N	4 x	W/4 - 138.5	H - 164
DV273N	4 x	W/4 - 138.5	H - 169

ACCESSORIES

ACDV18	2	CLEAT FOR DV14
ACDV19	2	CLEAT FOR DV14
ACDV23	16	CLEAT FOR DV228 & DV229
ACDV123	16	CLEAT FOR DV228 & DV229
ACDV271N/173N	2	THRESHOLD ENDCAP
ACDV225 or 226	2	SHOOTBOLT HANDLE
ACDV427	2	SHOOTBOLT GEARBOX
ACDV328	2 (PAIRS)	SHOOTBOLT ROD
ACDV229	2 (PAIRS)	SHOOTBOLT GUIDE
ACDV430	2	SHOOTBOLT COVER
ACDV331	16	INTERMEDIATE HINGE
ACDV232	1	BOTTOM ROLLER HINGE
ACDV233	1	TOP GUIDE HINGE
ACDV234	2	D-HANDLE/HINGE
ACDV249	8 x (W/4-41) + 2 x (42)	WOOLPILE
ACDV254	8 (PAIRS)	INFILL BLOCK
ACDV272	4 x (W-62) 18 x (H-46)	SEALING GASKET (cut to fit)
ACDV275	4	CORNER MOULDS
ACDV380	1	DV32 BOTTOM ROLLER
ACDV381	1	DV32 TOP GUIDE
ACDV282	4	WOOLPILE CARRIER
ACDV56	1 (PAIR)	END CAP FOR DV56
ACDR052	4	SCREWS FOR THRESHOLD
ACET060	74	SCREW FOR DV56 & HINGE
ACET133	4	SCREW FOR ACDV225/6
ACMX01604 (SL)	2	HALF CYLINDER
ACSR012A	1 x (W-90) + 2 x (H-65)	WOOLPILE
ACSR012A	2 x 47mm	WOOLPILE FOR ACDV282
ACDV249	2 x 47mm	WOOLPILE FOR ACDV282
ACVG31	8 x (W/4-139) + 8 x (H-164)	EXTERNAL GLAZING GASKET
ACVG34	8 x (W/4-139) + 8 x (H-164)	INTERNAL GLAZING GASKET
ACVL032	1 x (H-84)	DV56 FLIPPER GASKET
ACW20024	2	CHEVRON FOR DV14
ACDV295	1 PER SASH FRAME	GLASS ADJUSTER KIT
ACDV385	1	FLOATING MULLION GUIDE

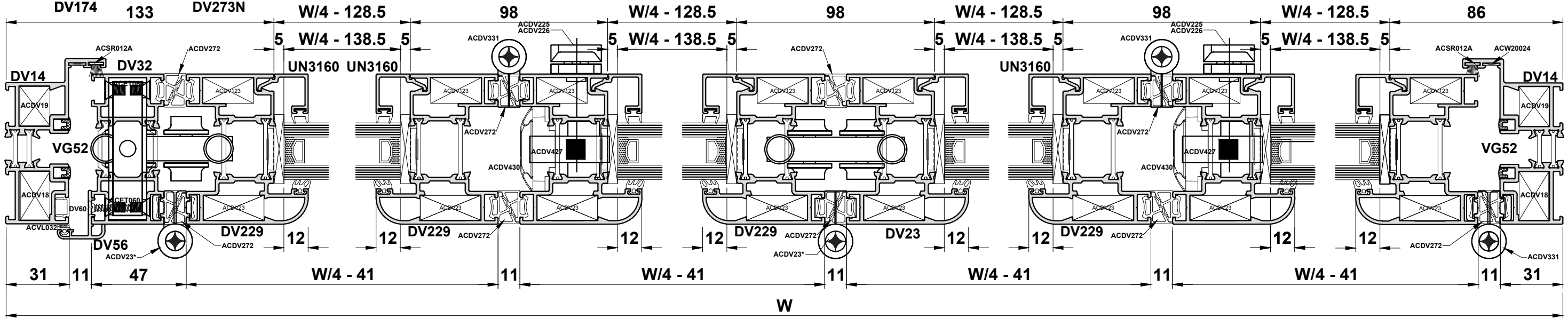


NOTE:
Design Type 3e does not offer external access or an individual traffic door.

IMPORTANT NOTE:
Min. Sash Width 700mm / Max. Sash Width 1200mm
Max. Sash Weight 100kg
Max. Sash Height 2500mm Dependant On Site Conditions
Always Measure In the Last Vent.

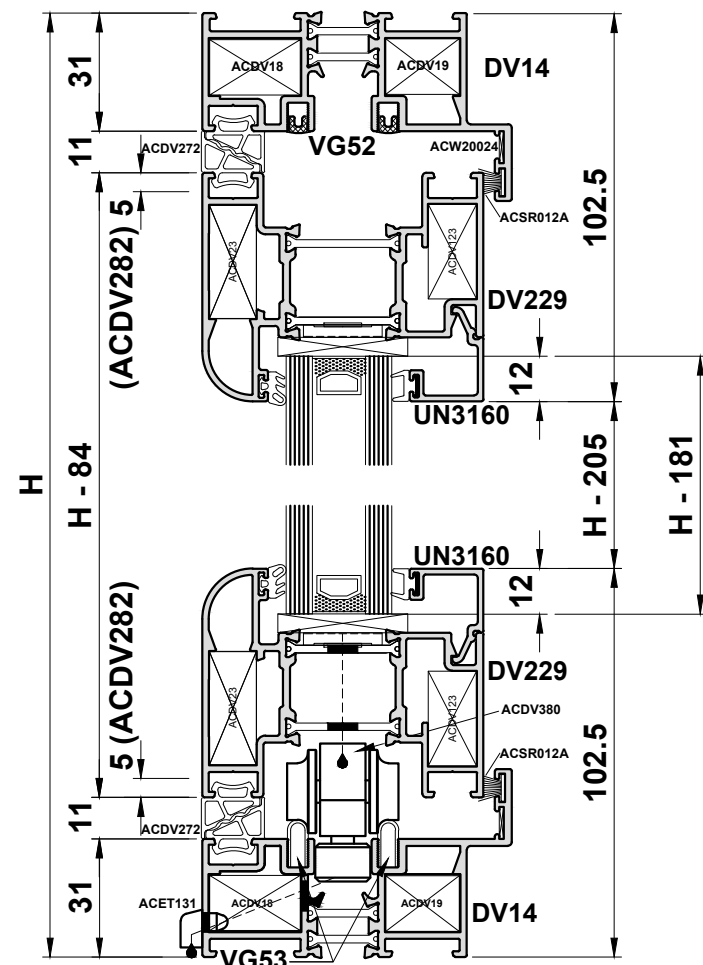
IMPORTANT NOTE:

- When using DV220 or DV221 Slim Sash please take the following into account:
- DV220 & DV221 width and height deductions remain the same as standard sashes.
- Beads, Glazing and Glazing Gaskets will need to increase by 10mm (Example: H-205 will change to H-195).
- ACDV123 or ACDV29 Cleats must be used.
- Use DV177 Rebate Adapter on exterior (Example: Interior = DV76 & Exterior = DV177)
- Use PCX38 in place of PCX36
- Use handles suitable for DV220 / DV221 refer to Section B for compatible options
- Please refer to Lock Table in section E



Do Not Scale From This Drawing

Cutting Information



PROFILE CUTTING SCHEDULE

DV14		2		W
DV14		2		H
DV229G		8		W/4 - 32.5
DV229G		8		H-84
Glazing Bead		8		W/4-120
Glazing Bead		8		H-205
DV60		4		H-62
DV75		2		H-84
DV76		1		H-84
DV177		1		H-84
VG52		2		W-62
VG52		4		H-62
VG53		2		W-62
PCX38		2		H-84

Note: PCX15 required for leaf heights over 2285mm.

GLASS SIZES	
4 X	W/4 - 130
	H - 181

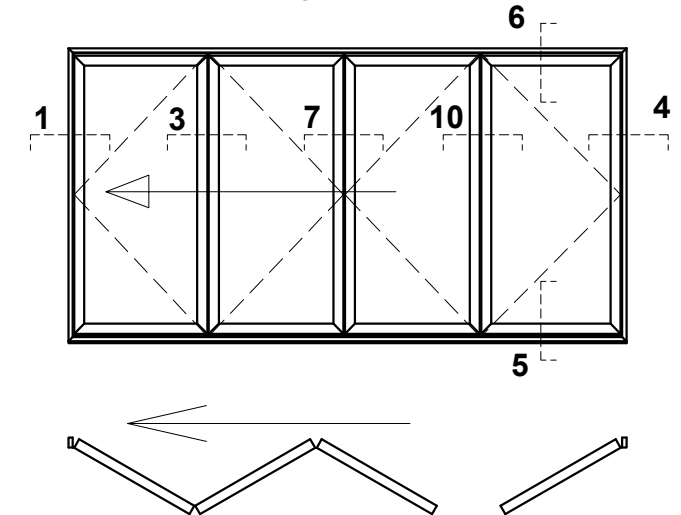
IMPORTANT NOTE:

- When using DV220 or DV221 Slim Sash please take the following into account: DV220 & DV221 width and height deductions remain the same as standard sashes.
- Beads, Glazing and Glazing Gaskets will need to increase by 10mm (Example: H-205 will change to H-195).
- ACDV123 or ACDV29 Cleats must be used.
- Use DV177 Rebate Adapter on exterior (Example: Interior = DV76 & Exterior = DV177)
- Use PCX38 in place of PCX36
- Use handles suitable for DV220 / DV221 refer to Section B for compatible options
- Please refer to Lock Table in section E

ACCESSORIES

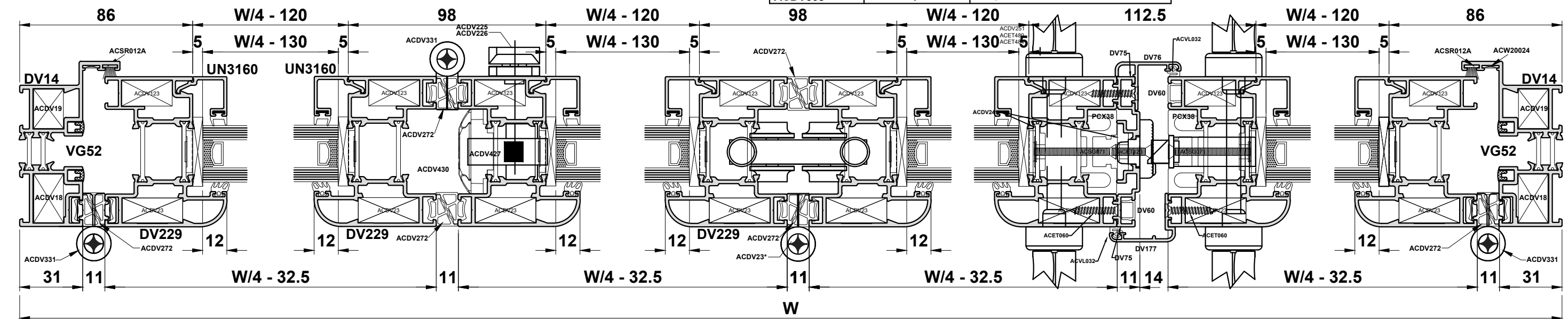
ACDV18	4	CLEAT FOR DV14
ACDV19	4	CLEAT FOR DV14
ACDV23	16	CLEAT FOR DV228 & DV229
ACDV123	16	CLEAT FOR DV228 & DV229
ACDV080	2	RUN UP BLOCK
ACDV225 or 226	1	SHOOTBOLT HANDLE
ACDV427	1	SHOOTBOLT GEARBOX
ACDV328	1 (PAIR)	SHOOTBOLT ROD
ACDV229	1 (PAIR)	SHOOTBOLT GUIDE
ACDV430	1	SHOOTBOLT COVER
ACDV331	13	INTERMEDIATE HINGE
ACDV232	1	BOTTOM ROLLER HINGE
ACDV233	1	TOP GUIDE HINGE
ACDV234	1	D-HANDLE/HINGE
ACDV241	33	FIXING BLOCK FOR LOCK
ACDV244N	2 x (W-90) + 2 x (H-90)	FLIPPER GASKET
ACDV251	2 (PAIRS)	LEVER HANDLES
ACDV258 (SL)	2	50/50 CYLINDER
ACDV262	22	SCREW FOR LOCK
ACDV264	15	SCREW FOR KEEPS
ACDV270	11	FIXING PLATE FOR KEEPS
ACDV272	4 x (W-62) 12 x (H-62)	SEALING GASKET (cut to fit)
ACDV275	4	CORNER MOULDS
ACDV76	1 (PAIR)	END CAP FOR DV76
ACDV177	1 (PAIR)	END CAP FOR DV177
ACDV722/23	1	MULTI-POINT LOCK
ACDV727	1	SECONDARY DOOR LOCK
ACDV737 & 738	1 EACH	TOP & BOTTOM SHOOTBOLTS
ACDV733	2	SHOOTBOLT KEEP
ACET060	55	SCREW FOR DV68/DV76
ACET123	11	SCREW FOR KEEP
ACET133	2	SCREW FOR ACDV225/6
ACET131	2	DRAIN HOLE COVER
ACMX01604 (SL)	1	HALF CYLINDER
ACVL032	2 x (H-84)	DV76 FLIPPER GASKET
ACW20024	4	CHEVRON FOR DV14
ACDV295	1 PER SASH FRAME	GLASS ADJUSTER KIT
ACSR012A	2 x (W-90) + 2 x (H-90)	WOOLPILE
ACDV308	1	MAGNETIC CATCH

Type 4e



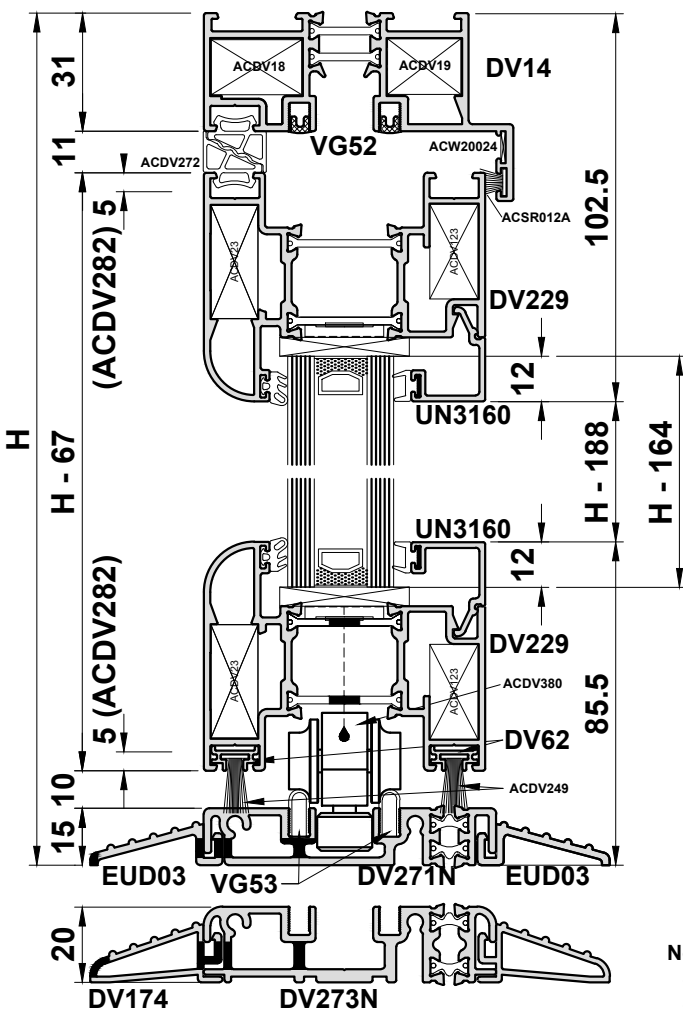
IMPORTANT NOTE:
Min. Sash Width 700mm / Max. Sash Width 1200mm
Max. Sash Weight 100kg
Max. Sash Height 2500mm Dependant On Site Conditions
Always Measure In the Last Vent.

FOR ENHANCED WEATHER PERFORMANCE REPLACE ACDV244N FLIPPER GASKET WITH ACDV268 BUBBLE GASKET



Do Not Scale From This Drawing

Cutting Information



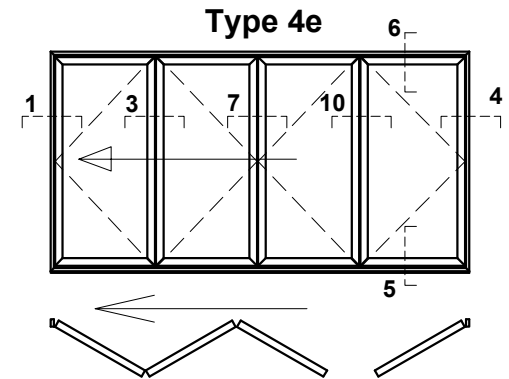
DV14	BB	1		W
DV14	BB	2		H
DV271N	BB	1		W-66
EUD03	BB	1		W-66
EUD03	BB	1		W-103
DV229G	BB	8		W/4-32
DV229G	BB	8		H-67
DV62	BB	1		W/4-32
DV62	BB	4		W/4-38.5
DV62	BB	3		W/4-45
Glazing Bead	BB	8		W/4-120
Glazing Bead	BB	8		H-188
DV60	BB	4		H-46
DV75	BB	2		H-67
DV76	BB	1		H-67
DV177	BB	1		H-67
VG52	BB	2		W-62
VG52	BB	4		H-46
VG53	BB	2		W-62
PCX38	BB	2		H-67

PROFILE CUTTING SCHEDULE (DV273N)

DV273	BB	1		W-66
DV174	BB	1		W-66
DV174	BB	1		W-103
DV229	BB	8		H-72
Glazing Bead	BB	8		H-193
DV68	BB	2		H-72
DV76	BB	1		H-72
DV177	BB	1		H-72
PCX38	BB	2		H-72

Note:
 - PCX15 required for leaf heights over 2285mm.
 - When using DV220 or DV221 please refer to note on previous page

ACDV18		4		CLEAT FOR DV14
ACDV19		4		CLEAT FOR DV14
ACDV23		16		CLEAT FOR DV228 & DV229
ACDV123		16		CLEAT FOR DV228 & DV229
ACDV271N/173N		2		THRESHOLD ENDCAP
ACDV225 or 226		1		SHOOTBOLT HANDLE
ACDV427		1		SHOOTBOLT GEARBOX
ACDV328		1 (PAIR)		SHOOTBOLT ROD
ACDV229		1 (PAIR)		SHOOTBOLT GUIDE
ACDV430		1		SHOOTBOLT COVER
ACDV331		13		INTERMEDIATE HINGE
ACDV232		1		BOTTOM ROLLER HINGE
ACDV233		1		TOP GUIDE/HINGE
ACDV234		1		D-HANDLE/HINGE
ACDV241		11		FIXING BLOCK FOR LOCK
ACDV244N		1 x (W-90) + 2 x (H-60)		FLIPPER GASKET
ACDV245		1 x (W-62) + 2 x (H-46)		SEALING GASKET
ACDV246		4 x (W/4-32) + 2 x (H-62)		SEALING GASKET
ACDV249		8 x (W/4-32)		WOOLPILE
ACDV251		2 (PAIRS)		LEVER HANDLES
ACDV254		8 (PAIRS)		INFILL BLOCK
ACDV258 (SL)		2		50/50 CYLINDER
ACDV262		22		SCREW FOR LOCK
ACDV264		15		SCREW FOR KEEPS
ACDV270		11		FIXING PLATE FOR KEEPS
ACDV272		3 x (W-62) 12 x (H-46)		SEALING GASKET (cut to fit)
ACDV275		4		CORNER MOULDS
ACDV76		1 (PAIR)		END CAP FOR DV76
ACDV177		1 (PAIR)		END CAP FOR DV177
ACDV722/23		1		MULTI-POINT LOCK
ACDV727		1		SECONDARY DOOR LOCK
ACDV737 & 738		1 EACH		TOP & BOTTOM SHOOTBOLTS
ACDV733		2		SHOOTBOLT KEEP
ACDR052		4		SCREWS FOR THRESHOLD
ACET060		55		SCREW FOR DV68 & DV76
ACET123		11		SCREW FOR KEEP
ACET133		2		SCREW FOR ACDV225/6
ACMX01604 (SL)		1		HALF CYLINDER
ACVL032		2 x (H-84)		DV76 FLIPPER GASKET



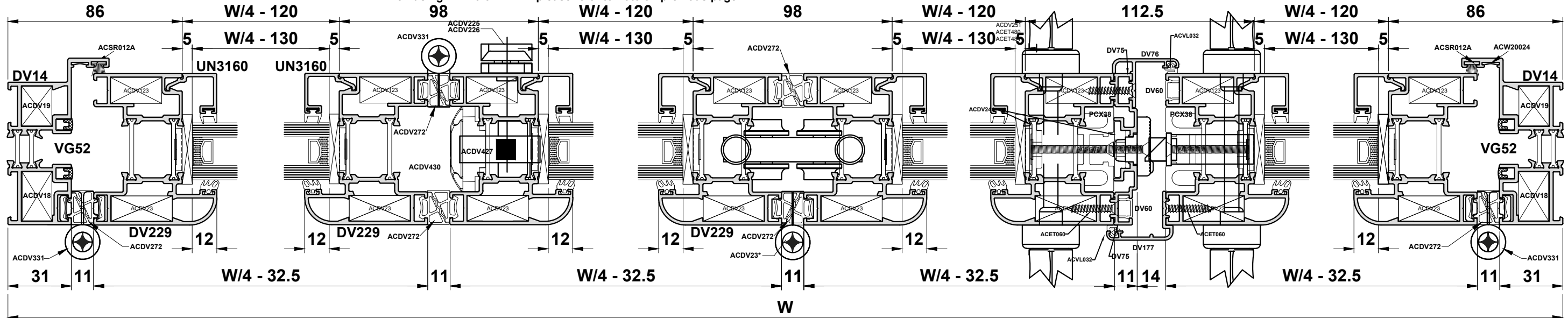
IMPORTANT NOTE:
 Min. Sash Width 700mm / Max. Sash Width 1200mm
 Max. Sash Weight 100kg
 Max. Sash Height 2500mm Dependant On Site Conditions
 Always Measure In the Last Vent.

GLASS DEDUCTIONS

DV271N	4 x	W/4 - 130	H - 164
DV273N	4 x	W/4 - 130	H - 169

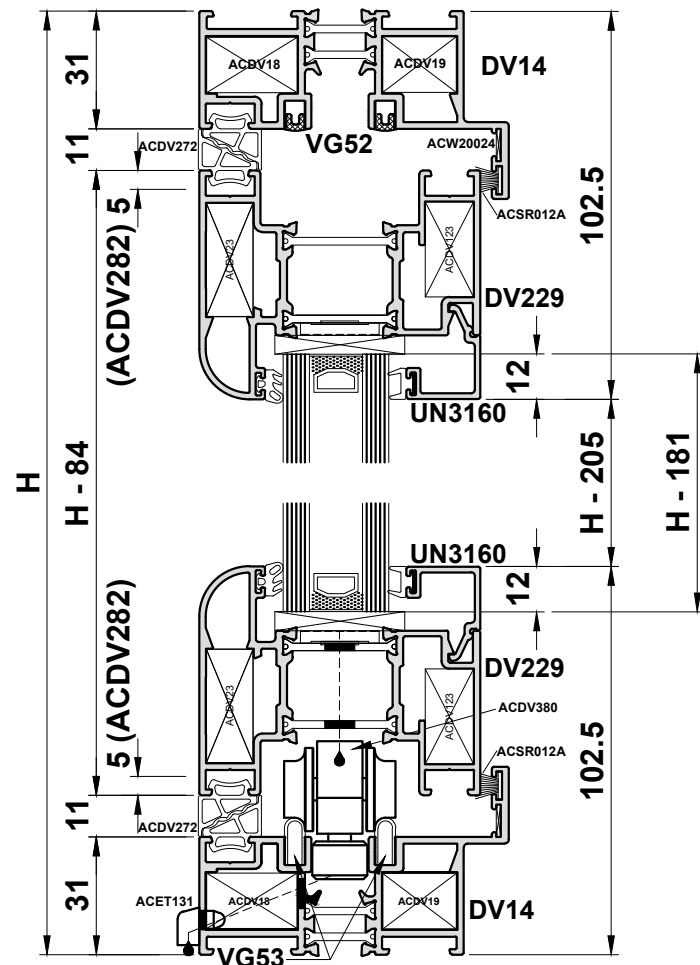
FOR ENHANCED WEATHER PERFORMANCE REPLACE ACDV244N FLIPPER GASKET WITH ACDV268 BUBBLE GASKET

ACW20024	4	CHEVRON FOR DV14
ACDV292	1	BRUSH PILE CARRIER
ACSR012A	1 x (W-90) + 2 x (H-65)	WOOLPILE
ACDV308	1	MAGNETIC CATCH



Do Not Scale From This Drawing

Cutting Information



PROFILE CUTTING SCHEDULE

DV14		2		W
DV14		2		H
DV229		8		W/4 - 53
DV229		8		H-84
DV32		2		H-94
DV56		2		H-84
DV60		4		H-62
Glazing Bead		8		W/4 - 140
Glazing Bead		8		H-171 H-205
VG52		2		W-62
VG52		4		H-62
VG53		2		W-62

GLASS SIZES	
4 X	W/4 - 150
	H - 181

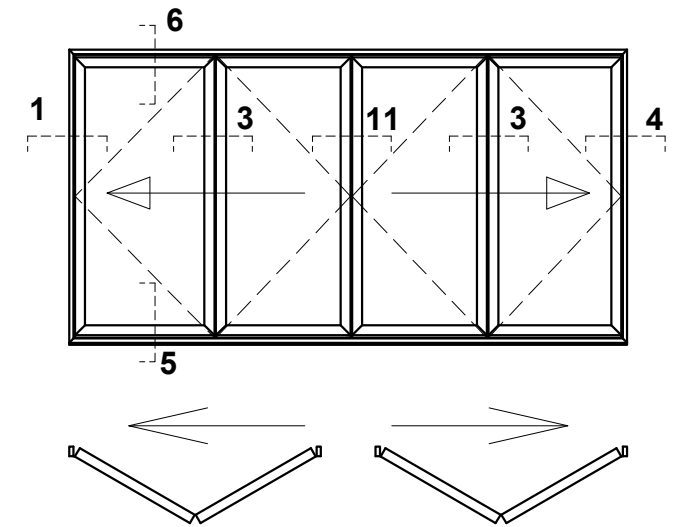
IMPORTANT NOTE:

- When using DV220 or DV221 Slim Sash please take the following into account: DV220 & DV221 width and height deductions remain the same as standard sashes.
- Beads, Glazing and Glazing Gaskets will need to increase by 10mm (Example: H-205 will change to H-195).
- ACDV123 or ACDV29 Cleats must be used.
- Use DV177 Rebate Adapter on exterior (Example: Interior = DV76 & Exterior = DV177)
- Use PCX38 in place of PCX36
- Use handles suitable for DV220 / DV221 refer to Section B for compatible options
- Please refer to Lock Table in section E

ACCESSORIES

ACDV18	4	CLEAT FOR DV14
ACDV19	4	CLEAT FOR DV14
ACDV23	16	CLEAT FOR DV228 & DV229
ACDV123	16	CLEAT FOR DV228 & DV229
ACDV225 or 226	2	SHOOTBOLT HANDLE
ACDV427	2	SHOOTBOLT GEARBOX
ACDV328	2 (PAIRS)	SHOOTBOLT ROD
ACDV229	2 (PAIRS)	SHOOTBOLT GUIDE
ACDV430	2	SHOOTBOLT COVER
ACDV331	22	INTERMEDIATE HINGE
ACDV234	2	D-HANDLE/HINGE
ACDV272	4 x (W-62) 20 x (H-62)	SEALING GASKET (cut to fit)
ACDV275	4	CORNER MOULDS
ACDV380	2	DV32 BOTTOM ROLLER
ACDV381	2	DV32 TOP GUIDE
ACDV282	8	WOOLPILE CARRIER
ACDV56	2 (PAIRS)	END CAP FOR DV56
ACET060	26	SCREW FOR DV56 & HINGE
ACET133	4	SCREW FOR ACDV225/6
ACET131	2	DRAIN HOLE COVER
ACMX01604 (SL)	2	HALF CYLINDER
ACSR012A	2 x (W-90) + 2 x (H-90)	WOOLPILE
ACSR012A	4 x 47mm	WOOLPILE FOR ACDV282
ACVG31	8 x (W/4-150) + 8 x (H-181)	EXTERNAL GLAZING GASKET
ACVG34	8 x (W/4-150) + 8 x (H-181)	INTERNAL GLAZING GASKET
ACVL032	2 x (H-84)	DV56 FLIPPER GASKET
ACW20024	4	CHEVRON FOR DV14
ACDV295	1 PER SASH FRAME	GLASS ADJUSTER KIT
ACDV385	2	FLOATING MULLION GUIDE

Type 5e

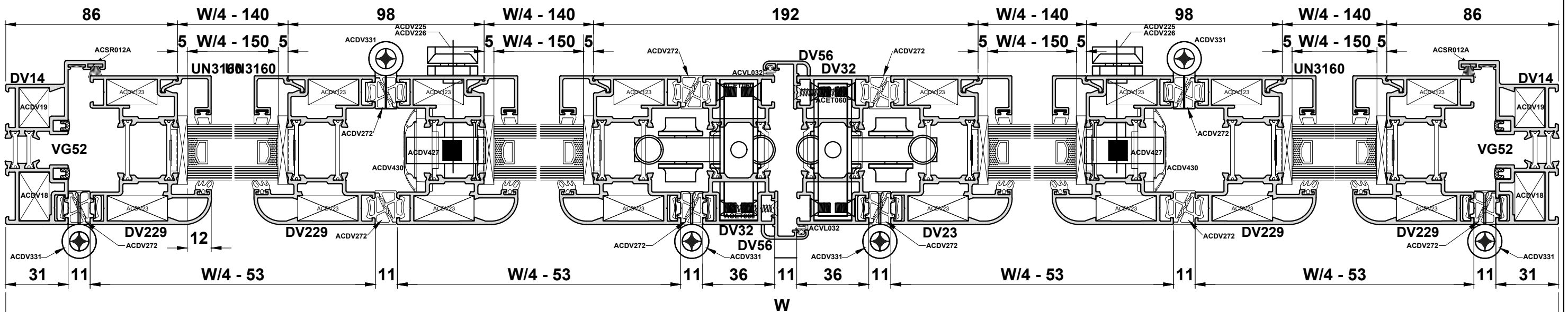


NOTE:

Design Type 5e does not offer external access or an individual traffic door.

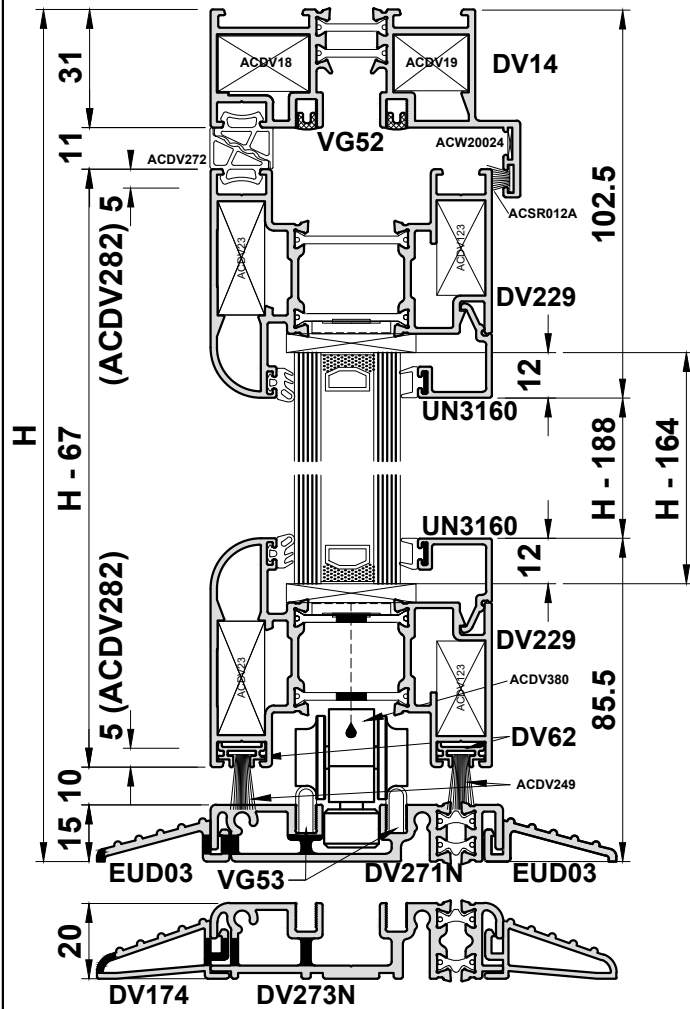
IMPORTANT NOTE:

Min. Sash Width 700mm / Max. Sash Width 1200mm
Max. Sash Weight 100kg
Max. Sash Height 2500mm Dependant On Site Conditions
Always Measure In the Last Vent.



Do Not Scale From This Drawing

Cutting Information



PROFILE CUTTING SCHEDULE

DV14	1	W
DV14	2	H
DV271	1	W-66
EUD03	1	W-66
EUD03	1	W-103
DV229	8	W/4-53
DV229	8	H-67
DV32	2	H-77
DV56	2	H-67
DV62	2	W/4-67
DV62	6	W/4-61
DV60	4	H-46
Glazing Bead	8	W/4-140
Glazing Bead	8	H-188
VG52	2	W-62
VG52	4	H-46
VG53	2	W-62

PROFILE CUTTING SCHEDULE (DV273)

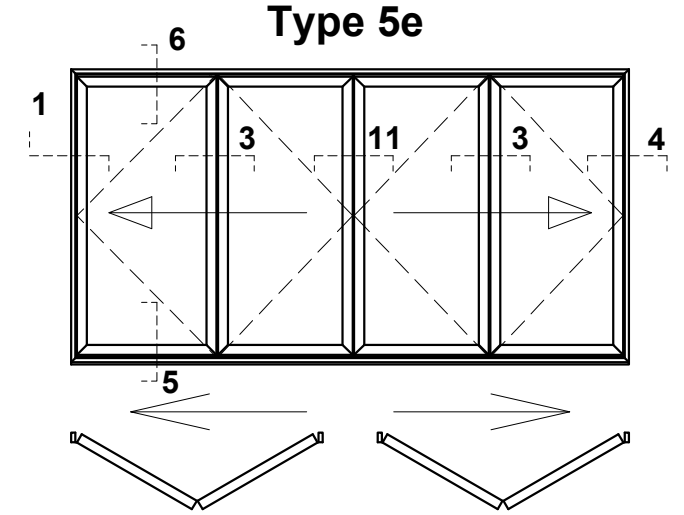
DV273	1	W-66
DV174	1	W-66
DV174	1	W-103
DV229	8	H-72
DV32	2	H-82
DV56	2	H-72
Glazing Bead	8	H-193

GLASS DEDUCTIONS

DV271	4 x	W/4 - 150	H - 164
DV273	4 x	W/4 - 150	H - 169

ACCESSORIES

ACDV18	2	CLEAT FOR DV14
ACDV19	2	CLEAT FOR DV14
ACDV23	16	CLEAT FOR DV228 & DV229
ACDV123	16	CLEAT FOR DV228 & DV229
ACDV271N/173N	2	THRESHOLD ENDCAP
ACDV225 or 226	2	SHOOTBOLT HANDLE
ACDV427	2	SHOOTBOLT GEARBOX
ACDV328	2 (PAIRS)	SHOOTBOLT ROD
ACDV229	2 (PAIRS)	SHOOTBOLT GUIDE
ACDV430	2	SHOOTBOLT COVER
ACDV331	22	INTERMEDIATE HINGE
ACDV234	2	D-HANDLE/HINGE
ACDV242	2	END CAP FOR DV32
ACDV249	8 x (W/4-41) + 4 x (42)	WOOLPILE
ACDV254	8 (PAIRS)	INFILL BLOCK
ACDV272	4 x (W-62) 20 x (H-46)	SEALING GASKET (cut to fit)
ACDV275	4	CORNER MOULDS
ACDV380	2	DV32 BOTTOM ROLLER
ACDV381	2	DV32 TOP GUIDE
ACDV282	8	WOOLPILE CARRIER
ACDV56	2 (PAIRS)	END CAP FOR DV56
ACDR052	4	SCREWS FOR THRESHOLD
ACET060	26	SCREW FOR DV56 & HINGE
ACET133	4	SCREW FOR ACDV225/6
ACMX01604 (SL)	2	HALF CYLINDER
ACSR012A	1 x (W-90) + 2 x (H-65)	FLIPPER GASKET
ACSR012A	2 x 47mm	WOOLPILE FOR ACDV282
ACDV249	2 x 47mm	WOOLPILE FOR ACDV282
ACVG31	8 x (W/4-150) + 8 x (H-164)	EXTERNAL GLAZING GASKET
ACVG34	8 x (W/4-150) + 8 x (H-164)	INTERNAL GLAZING GASKET
ACVL032	2 x (H-84)	DV56 FLIPPER GASKET
ACW20024	2	CHEVRON FOR DV14
ACDV385	2	FLOATING MULLION GUIDE



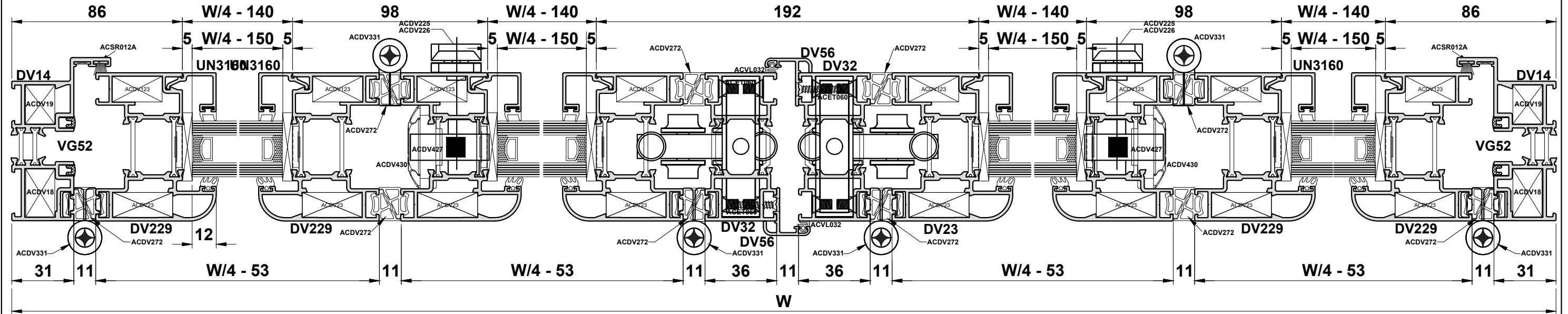
IMPORTANT NOTE:

- When using DV220 or DV221 Slim Sash please take the following into account: DV220 & DV221 width and height deductions remain the same as standard sashes.
- Beads, Glazing and Glazing Gaskets will need to increase by 10mm (Example: H-205 will change to H-195).
- ACDV123 or ACDV29 Cleats must be used.
- Use DV177 Rebate Adapter on exterior (Example: Interior = DV76 & Exterior = DV177)
- Use PCX38 in place of PCX36
- Use handles suitable for DV220 / DV221 refer to Section B for compatible options
- Please refer to Lock Table in section E

IMPORTANT NOTE:

Min. Sash Width 700mm / Max. Sash Width 1200mm
 Max. Sash Weight 100kg
 Max. Sash Height 2500mm Dependant On Site Conditions
 Always Measure In the Last Vent.

NOTE:
 Design Type 5e does not offer external access or an individual traffic door.



Do Not Scale From This Drawing

Cutting Information

PROFILE CUTTING SCHEDULE

DV14		2		W
DV14		2		H
DV229		10		W/5 - 26.5
DV229		10		H-84
Glazing Bead		10		W/5-113
Glazing Bead		10		H-205
DV60		3		H-62
DV76		1		H-84
VG52		2		W-62
VG52		4		H-62
VG53		2		W-62
PCX38		1		H-84

Note: PCX15 required for leaf heights over 2285mm.

GLASS SIZES	5 X	W/5 - 123
		H - 181

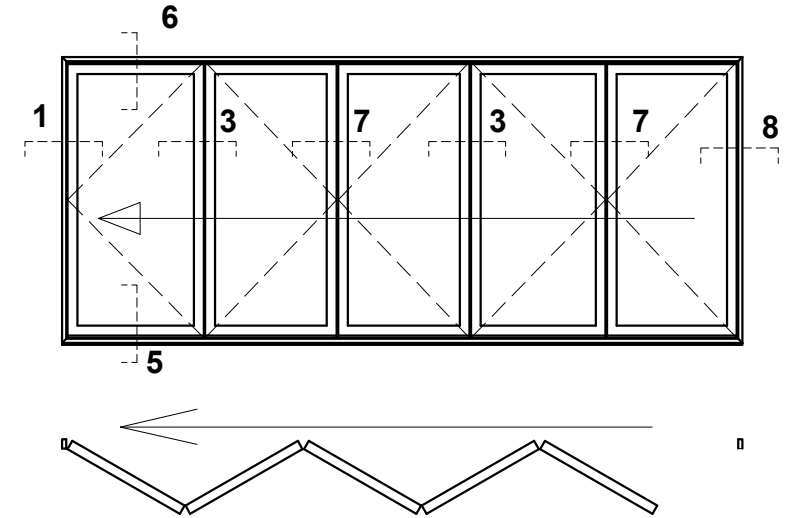
FOR ENHANCED WEATHER PERFORMANCE REPLACE ACDV244N FLIPPER GASKET WITH ACDV268 BUBBLE GASKET

ACCESSORIES

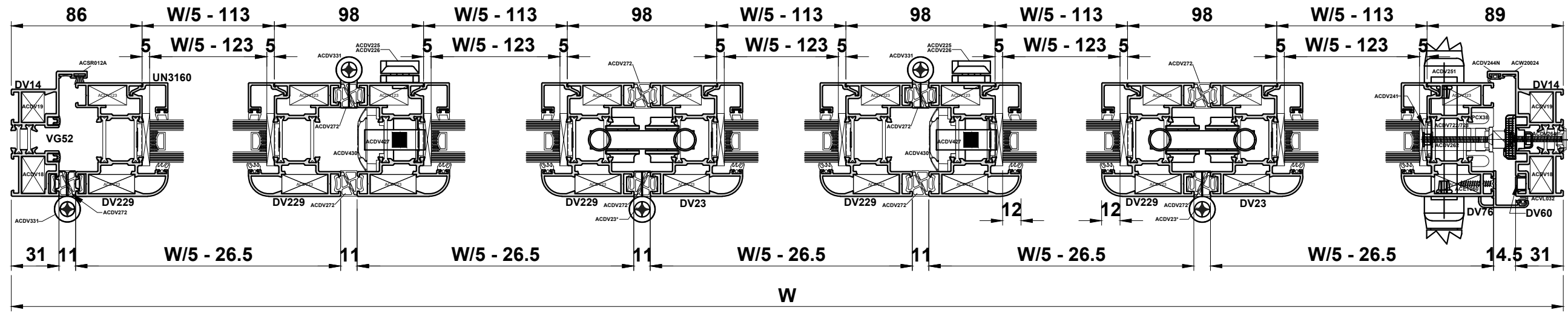
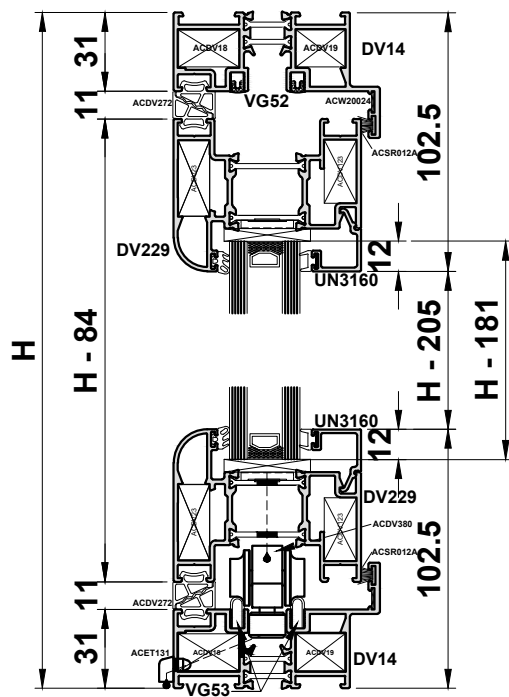
ACDV18	4	CLEAT FOR DV14
ACDV19	4	CLEAT FOR DV14
ACDV23	20	CLEAT FOR DV228 & DV229
ACDV123	20	CLEAT FOR DV228 & DV229
ACDV080	1	RUN UP BLOCK
ACDV225 or 226	2	SHOOTBOLT HANDLE
ACDV427	2	SHOOTBOLT GEARBOX
ACDV328	2 (PAIR)	SHOOTBOLT ROD
ACDV229	2 (PAIR)	SHOOTBOLT GUIDE
ACDV430	2	SHOOTBOLT COVER
ACDV331	14	INTERMEDIATE HINGE
ACDV232	2	BOTTOM ROLLER HINGE
ACDV233	2	TOP GUIDE HINGE
ACDV234	2	D-HANDLE/HINGE
ACDV241	11	FIXING BLOCK FOR LOCK
ACDV244N	2 x (W-90) + 2 x (H-90)	FLIPPER GASKET
ACDV251	1 (PAIR)	LEVER HANDLES
ACDV258 (SL)	1	50/50 CYLINDER
ACDV262	11	SCREW FOR LOCK
ACDV264	11	SCREW FOR KEEPS
ACDV272	4 x (W-62) + 18 x (H-62)	SEALING GASKET (cut to fit)
ACDV275	5	CORNER MOULDS
ACDV76	1 (PAIR)	END CAP FOR DV76
ACDV722/23	1	MULTI-POINT LOCK
ACET060	11	SCREW FOR DV76
ACET133	4	SCREW FOR ACDV225/6
ACMX01604 (SL)	2	HALF CYLINDER
ACDV523	11	FIXING BLOCK FOR KEEPS
ACVG31	10 x (W/5-123) + 10 x (H-181)	EXTERNAL GLAZING GASKET
ACVG34	10 x (W/5-123) + 10 x (H-181)	INTERNAL GLAZING GASKET
ACVL032	1 x (H-84)	DV76 FLIPPER GASKET
ACW20024	4	CHEVRON FOR DV14
ACET131	4	DRAIN HOLE COVERS
ACSR012A	2 x (W-90) 2 x (H-90)	WOOLPILE
ACDV295	1 PER SASH FRAME	GLASS ADJUSTER KIT
ACDV308	1	MAGNETIC CATCH

+ Optional: 1 x ACDV396 Shootbolt Keep if Sash is over 2300mm high

Type 6e

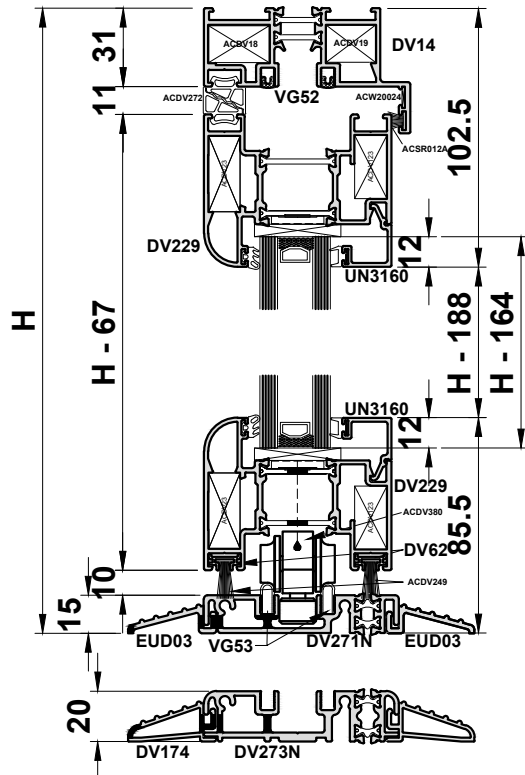


IMPORTANT NOTE:
Min. Sash Width 700mm / Max. Sash Width 1200mm
Max. Sash Weight 100kg
Max. Sash Height 2500mm Dependant On Site Conditions
Always Measure In the Last Vent.



Do Not Scale From This Drawing

Cutting Information



PROFILE CUTTING SCHEDULE

DV14		1		W
DV14		2		H
DV271		1		W-66
EUD03		1		W-66
EUD03		1		W-103
DV229		10		W/5-26.5
DV229		10		H-67
DV60		3		H-46
DV62		3		W/5-33
DV62		7		W/5-39.5
Glazing Bead		10		W/5-123
Glazing Bead		10		H-188
DV76		1		H-67
VG52		2		W-62
VG52		4		H-46
VG53		2		W-62
PCX38		1		H-67

PROFILE CUTTING SCHEDULE (DV273)

DV273		1		W-66
DV174		1		W-66
DV174		1		W-103
DV229		10		H-72
Glazing Bead		10		H-193
DV76		1		H-72
PCX38		1		H-72

Note: PCX15 required for leaf heights over 2285mm.

GLASS DEDUCTIONS

DV271	5 x	W/5 - 123	H - 164
DV273	5 x	W/5 - 123	H - 169

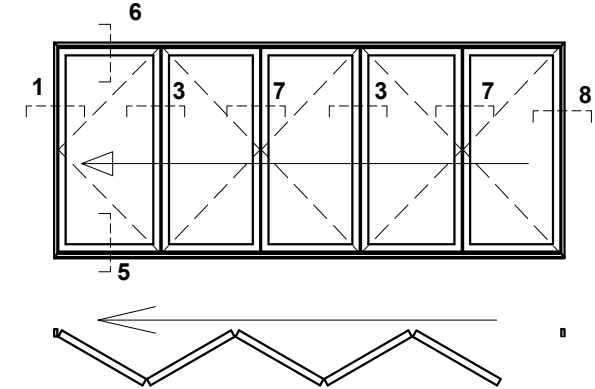
FOR ENHANCED WEATHER PERFORMANCE REPLACE ACDV244N FLIPPER GASKET WITH ACDV268 BUBBLE GASKET

ACCESSORIES

ACDV18	4	CLEAT FOR DV14
ACDV19	4	CLEAT FOR DV14
ACDV23	20	CLEAT FOR DV228 & DV229
ACDV123	20	CLEAT FOR DV228 & DV229
ACDV271N/173N	2	THRESHOLD ENDCAP
ACDV225 or 226	2	SHOOTBOLT HANDLE
ACDV427	2	SHOOTBOLT GEARBOX
ACDV328	2 (PAIR)	SHOOTBOLT ROD
ACDV229	2 (PAIR)	SHOOTBOLT GUIDE
ACDV430	2	SHOOTBOLT COVER
ACDV331	14	INTERMEDIATE HINGE
ACDV232	2	BOTTOM ROLLER HINGE
ACDV233	2	TOP GUIDE HINGE
ACDV234	2	D-HANDLE/HINGE
ACDV241	11	FIXING BLOCK FOR LOCK
ACDV244N	1 x (W-90) + 2 x (H-60)	FLIPPER GASKET
ACDV249	10 x (W/5-26)	WOOLPILE
ACDV251	1 (PAIR)	LEVER HANDLES
ACDV254	10 (PAIRS)	INFILL BLOCK
ACDV258 (SL)	1	50/50 CYLINDER
ACDV262	11	SCREW FOR LOCK
ACDV264	11	SCREW FOR KEEPS
ACDV272	2 x (W-62) + 18 x (H-46)	SEALING GASKET (cut to fit)
ACDV275	5	CORNER MOULDS
ACDV76	1 (PAIR)	END CAP FOR DV76
ACDV722/23	1	MULTI-POINT LOCK
ACDR052	4	SCREWS FOR THRESHOLD
ACET060	11	SCREW FOR DV76
ACET133	4	SCREW FOR ACDV225/6
ACMX01604 (SL)	2	HALF CYLINDER
ACDV523	11	FIXING BLOCK FOR KEEPS
ACVG31	10 x (W/5-123) + 10 x (H-164)	EXTERNAL GLAZING GASKET
ACVG34	10 x (W/5-123) + 10 x (H-164)	INTERNAL GLAZING GASKET
ACVL032	1 x (H-67)	DV76 FLIPPER GASKET
ACW20024	4	CHEVRON FOR DV14
ACDV295	1 PER SASH FRAME	GLASS ADJUSTER KIT
ACSR012A	1 x (W-90) 2 x (H-65)	WOOLPILE
ACDV308	1	MAGNETIC CATCH

+ Optional: 1 x ACDV396 Shootbolt Keep if Sash is over 2300mm high

Type 6e

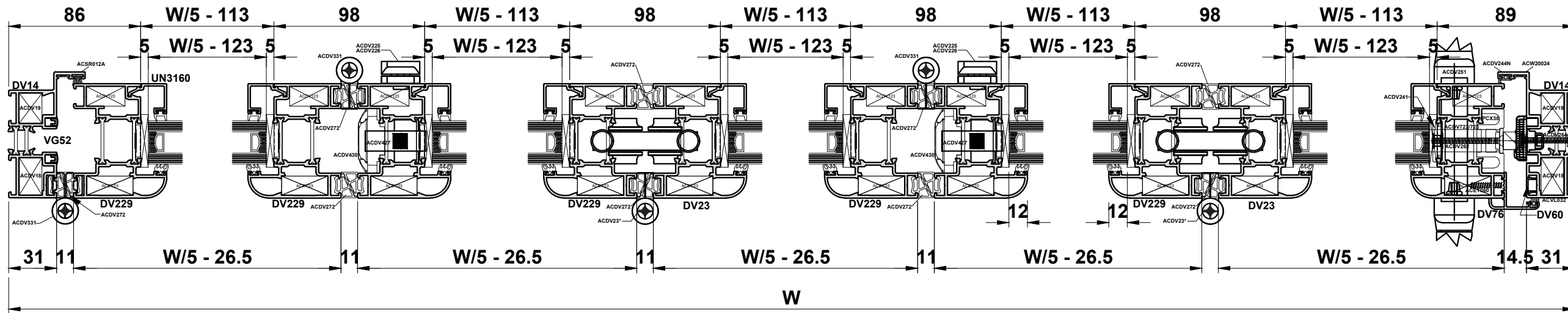


IMPORTANT NOTE:

Min. Sash Width 700mm / Max. Sash Width 1200mm
Max. Sash Weight 100kg
Max. Sash Height 2500mm Dependant On Site Conditions
Always Measure In the Last Vent.

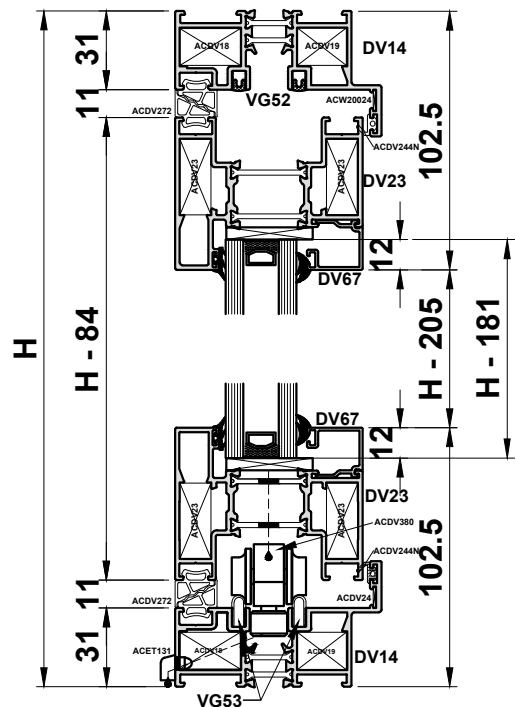
IMPORTANT NOTE:

- When using DV220 or DV221 Slim Sash please take the following into account:
- DV220 & DV221 width and height deductions remain the same as standard sashes.
- Beads, Glazing and Glazing Gaskets will need to increase by 10mm (Example: H-205 will change to H-195).
- ACDV123 or ACDV29 Cleats must be used.
- Use DV177 Rebate Adapter on exterior (Example: Interior = DV76 & Exterior = DV177)
- Use PCX38 in place of PCX36
- Use handles suitable for DV220 / DV221 refer to Section B for compatible options
- Please refer to Lock Table in section E



Do Not Scale From This Drawing

Cutting Information



PROFILE CUTTING SCHEDULE

Profile	Quantity	Material	Notes
DV14	2	W	
DV14	2	H	
DV229	12	W/6 - 25	
DV229	12	H-84	
DV60	4	H-62	
DV75	2	H-84	
Glazing Bead	12	W/6-112	
Glazing Bead	12	H-205	
DV76	2	H-84	
VG52	2	W-62	
VG52	4	H-62	
VG53	2	W-62	
PCX38	2	H-84	

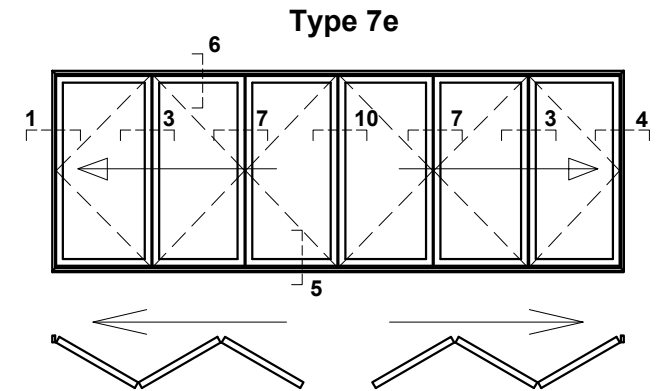
Note: PCX15 required for leaf heights over 2285mm.

GLASS SIZES	Quantity	Material
W/6 - 122	6 X	
H - 181		

FOR ENHANCED WEATHER PERFORMANCE REPLACE ACDV244N FLIPPER GASKET WITH ACDV268 BUBBLE GASKET

ACCESSORIES

ACDV18	4	CLEAT FOR DV14
ACDV19	4	CLEAT FOR DV14
ACDV23	24	CLEAT FOR DV228 & DV229
ACDV123	24	CLEAT FOR DV228 & DV229
ACDV080	2	RUN UP BLOCK
ACDV225 or 226	2	SHOOTBOLT HANDLE
ACDV427	2	SHOOTBOLT GEARBOX
ACDV328	2 (PAIRS)	SHOOTBOLT ROD
ACDV229	2 (PAIRS)	SHOOTBOLT GUIDE
ACDV430	2	SHOOTBOLT COVER
ACDV331	18	INTERMEDIATE HINGE
ACDV232	2	BOTTOM ROLLER HINGE
ACDV233	2	TOP GUIDE HINGE
ACDV234	2	D-HANDLE/HINGE
ACDV241	11	FIXING BLOCK FOR LOCK
ACDV244N	2 x (W-90) + 2 x (H-90)	FLIPPER GASKET
ACDV251	2 (PAIRS)	LEVER HANDLES
ACDV258 (SL)	2	50/50 CYLINDER
ACDV262	22	SCREW FOR LOCK
ACDV264	15	SCREW FOR KEEPS
ACDV270	11	FIXING PLATE FOR KEEPS
ACDV272	4 x (W-62) + 20 x (H-62)	SEALING GASKET (cut to fit)
ACDV275	6	CORNER MOULDS
ACDV76	1 (PAIR)	END CAP FOR DV76
ACDV177	1 (PAIR)	END CAP FOR DV177
ACDV722/23	1	MULTI-POINT LOCK
ACDV727	1	SECONDARY DOOR LOCK
ACDV737 & 738	1 EACH	TOP & BOTTOM SHOOTBOLTS
ACDV733	2	SHOOTBOLT KEEP
ACET060	44	SCREW FOR DV68 & DV76
ACET123	11	SCREW FOR KEEP
ACET133	4	SCREW FOR ACDV225/6
ACET131	4	DRAIN HOLE COVER
ACMX01604 (SL)	2	HALF CYLINDER
ACVL032	2 x (H-84)	DV76 FLIPPER GASKET
ACW20024	4	CHEVRON FOR DV14
ACDV295	1 PER SASH FRAME	GLASS ADJUSTER KIT
ACSR012A	2 x (W-90) 2 x (H-90)	WOOLPILE
ACDV308	2	MAGNETIC CATCH

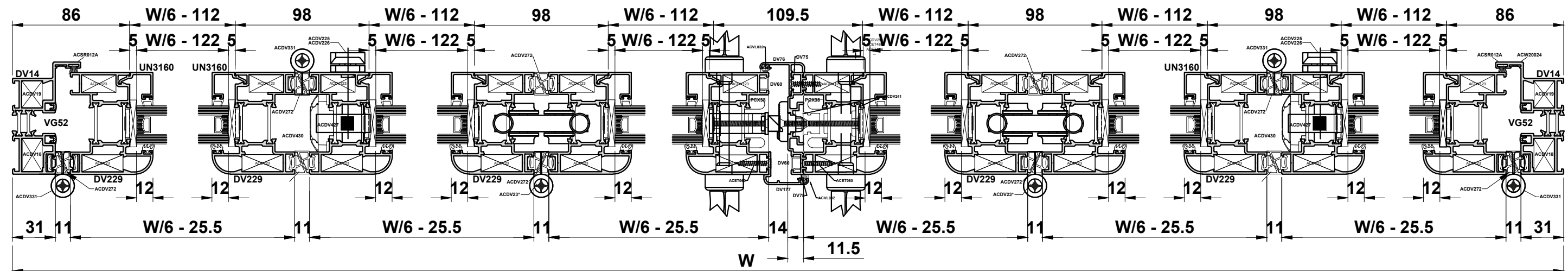


IMPORTANT NOTE:

Min. Sash Width 700mm / Max. Sash Width 1200mm
Max. Sash Weight 100kg
Max. Sash Height 2500mm Dependant On Site Conditions
Always Measure In the Last Vent.

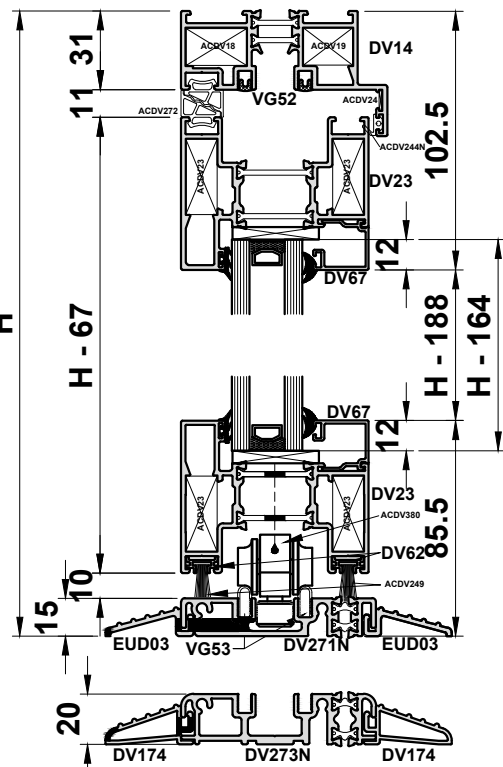
IMPORTANT NOTE:

- When using DV220 or DV221 Slim Sash please take the following into account:
- DV220 & DV221 width and height deductions remain the same as standard sashes.
- Beads, Glazing and Glazing Gaskets will need to increase by 10mm (Example: H-205 will change to H-195).
- ACDV123 or ACDV29 Cleats must be used.
- Use DV177 Rebate Adapter on exterior (Example: Interior = DV76 & Exterior = DV177)
- Use PCX38 in place of PCX36
- Use handles suitable for DV220 / DV221 refer to Section B for compatible options
- Please refer to Lock Table in section E



Do Not Scale From This Drawing

Cutting Information



PROFILE CUTTING SCHEDULE

DV14		1	W
DV14		2	H
DV271N		1	W-66
EUD03		1	W-66
EUD03		1	W-103
DV229		12	W/6-25
DV229		12	H-67
DV60		4	H-46
DV62		6	W/6-31.5
DV62		6	W/6-38
Glazing Bead		12	W/6-112
Glazing Bead		12	H-188
DV68		2	H-67
DV76		2	H-67
VG52		2	W-62
VG52		4	H-46
VG53		2	W-62
PCX38		2	H-67

PROFILE CUTTING SCHEDULE (DV273)

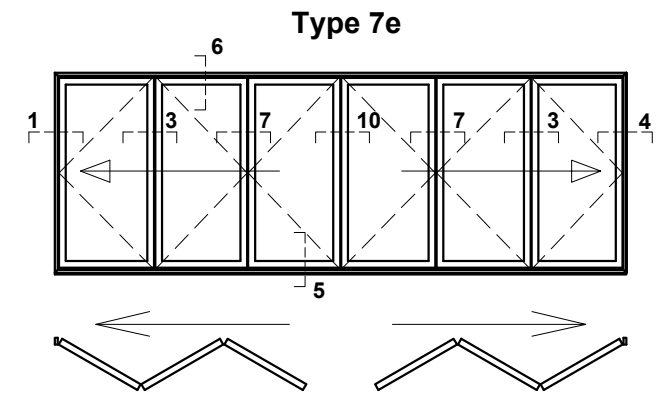
DV273N		1	W-66
DV174		1	W-66
DV174		1	W-103
DV229		12	H-72
DV68		2	H-72
DV76		2	H-72
Glazing Bead		12	H-193
PCX38		2	H-72

Note: PCX15 required for leaf heights over 2285mm.

FOR ENHANCED WEATHER PERFORMANCE REPLACE ACDV244N FLIPPER GASKET WITH ACDV268 BUBBLE GASKET

ACCESSORIES

ACDV18	2	CLEAT FOR DV14
ACDV19	2	CLEAT FOR DV14
ACDV23	24	CLEAT FOR DV228 & DV229
ACDV123	24	CLEAT FOR DV228 & DV229
ACDV271N/173N	2	THRESHOLD ENDCAP
ACDV225 or 226	2	SHOOTBOLT HANDLE
ACDV427	2	SHOOTBOLT GEARBOX
ACDV328	2 (PAIRS)	SHOOTBOLT ROD
ACDV229	2 (PAIRS)	SHOOTBOLT GUIDE
ACDV430	2	SHOOTBOLT COVER
ACDV331	18	INTERMEDIATE HINGE
ACDV232	2	BOTTOM ROLLER HINGE
ACDV233	2	TOP GUIDE HINGE
ACDV234	2	D-HANDLE/HINGE
ACDV241	11	FIXING BLOCK FOR LOCK
ACDV244N	1 x (W-90) + 2 x (H-65)	FLIPPER GASKET
ACDV249	12 x (W/6-25)	WOOLPILE
ACDV251	2 (PAIRS)	LEVER HANDLES
ACDV254	12 (PAIRS)	INFILL BLOCKS
ACDV258 (SL)	2	50/50 CYLINDER
ACDV262	22	SCREW FOR LOCK
ACDV264	15	SCREW FOR KEEPS
ACDV270	11	FIXING PLATE FOR KEEPS
ACDV272	2 x (W-62) + 20 x (H-46)	SEALING GASKET (cut to fit)
ACDV275	6	CORNER MOULDS
ACDV76	2 (PAIRS)	END CAP FOR DV76
ACDV722/23	1	MULTI-POINT LOCK
ACDV727	1	SECONDARY DOOR LOCK
ACDV737 & 738	1 EACH	TOP & BOTTOM SHOOTBOLTS
ACDV733	2	SHOOTBOLT KEEP
ACDR052	4	SCREWS FOR THRESHOLD
ACET060	44	SCREW FOR DV68 & DV76
ACET123	11	SCREW FOR KEEP
ACET133	4	SCREW FOR ACDV225/6
ACMX01604 (SL)	2	HALF CYLINDER
ACVL032	2 x (H-84)	DV76 FLIPPER GASKET
ACW20024	2	CHEVRON FOR DV14
ACDV292	1	BRUSH PILE CARRIER
ACDV295	1 PER SASH FRAME	GLASS ADJUSTER KIT
ACSR012A	1 x (W-90) 2 x (H-65)	WOOLPILE
ACDV308	2	MAGNETIC CATCH



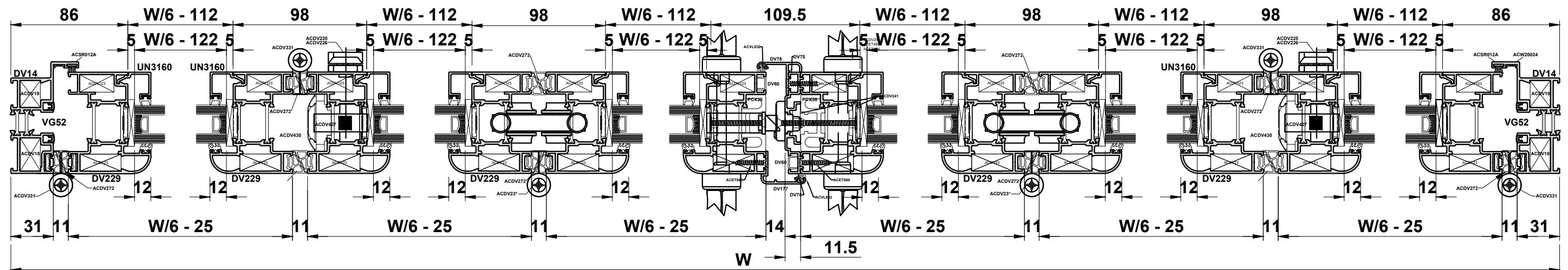
IMPORTANT NOTE:
Min. Sash Width 700mm / Max. Sash Width 1200mm
Max. Sash Weight 100kg
Max. Sash Height 2500mm Dependant On Site Conditions
Always Measure In the Last Vent.

IMPORTANT NOTE:

- When using DV220 or DV221 Slim Sash please take the following into account:
- DV220 & DV221 width and height deductions remain the same as standard sashes.
- Beads, Glazing and Glazing Gaskets will need to increase by 10mm (Example: H-205 will change to H-195).
- ACDV123 or ACDV29 Cleats must be used.
- Use DV177 Rebate Adapter on exterior (Example: Interior = DV76 & Exterior = DV177)
- Use PCX38 in place of PCX36
- Use handles suitable for DV220 / DV221 refer to Section B for compatible options
- Please refer to Lock Table in section E

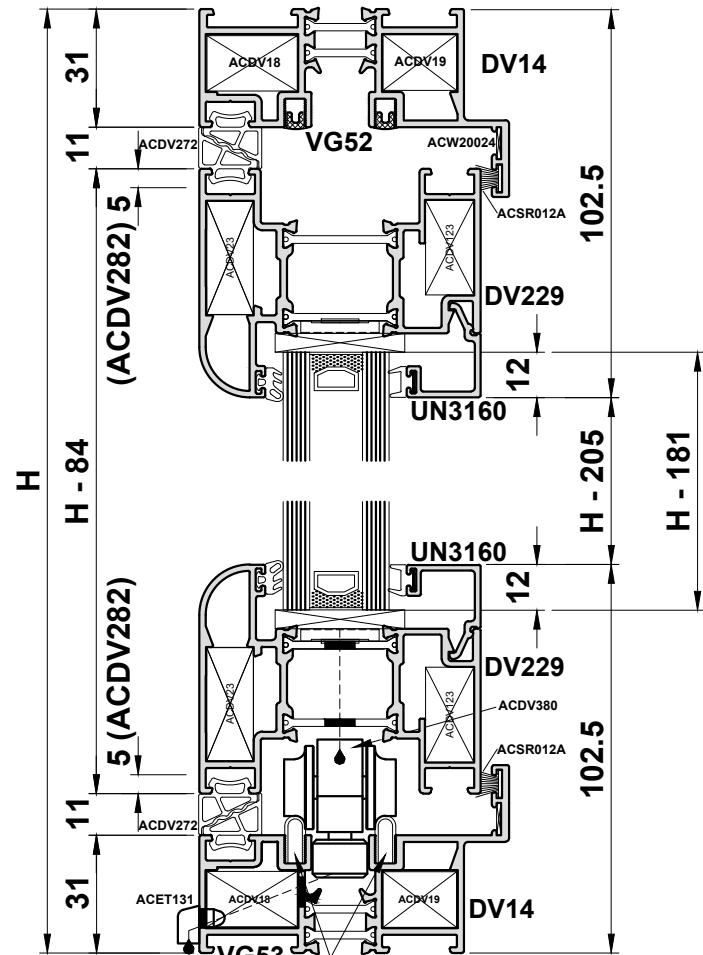
GLASS DEDUCTIONS

DV271N	6 x	W/6 - 122	H - 164
DV273N	6 x	W/6 - 122	H - 169



Do Not Scale From This Drawing

Cutting Information



PROFILE CUTTING SCHEDULE

DV14		2		W
DV14		2		H
DV229		6		W/3-47
DV229		6		H-84
DV76		1		H-84
Glazing Bead		6		W/3-134
Glazing Bead		6		H-205
DV60		2		H-62
DV551		2		H-62
DV552		1		H-69
VG52		2		W-97
VG52		4		H-62
VG53		2		W-97
PCX38		1		H-84

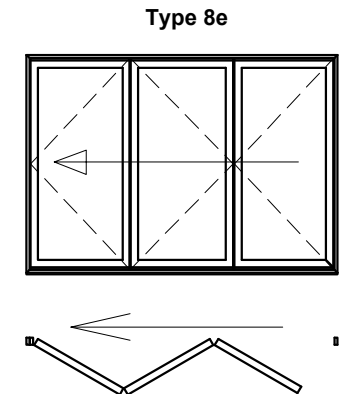
Note: PCX15 required for leaf heights over 2285mm.

GLASS SIZES	W/3 - 144
3 X	
	H - 181

FOR ENHANCED WEATHER PERFORMANCE REPLACE ACDV244N FLIPPER GASKET WITH ACDV268 BUBBLE GASKET

ACCESSORIES

ACDV18	4	CLEAT FOR DV14
ACDV19	4	CLEAT FOR DV14
ACDV23	12	CLEAT FOR DV228 & DV229
ACDV123	12	CLEAT FOR DV228 & DV229
ACDV080	1	RUN UP BLOCK
ACDV225 or 226	1	SHOOTBOLT HANDLE
ACDV427	1	SHOOTBOLT GEARBOX
ACDV328	1 (PAIR)	SHOOTBOLT ROD
ACDV229	1 (PAIR)	SHOOTBOLT GUIDE
ACDV430	1	SHOOTBOLT COVER
ACDV331	9	INTERMEDIATE HINGE
ACDV232	1	BOTTOM ROLLER HINGE
ACDV233	1	TOP GUIDE HINGE
ACDV234	1	D-HANDLE/HINGE
ACDV241	11	FIXING BLOCK FOR LOCK
ACDV244N	2 x (W-90) + 2 x (H-90)	FLIPPER GASKET
ACDV251	1 (PAIR)	LEVER HANDLES
ACDV258 (SL)	1	50/50 CYLINDER
ACDV262	11	SCREW FOR LOCK
ACDV264	11	SCREW FOR KEEPS
ACDV272	4 x (W-62) 12 x (H-62)	SEALING GASKET (cut to fit)
ACDV275	3	CORNER MOULDS
ACDV76	1 (PAIR)	END CAP FOR DV76
ACDV551	2 @ 300 Ctrs	ADJ. JAMB FIX SCREWS
ACDV553	DV552 End Caps	ADJ. JAMB FIX SCREWS
ACDV722/23	1	MULTI-POINT LOCK
ACET060	11	SCREW FOR DV76
ACET062	4 @ 300 Ctrs	NO.10 STAPPING CSK SCREW
ACET133	2	SCREW FOR ACDV225/6
ACET131	2	DRAIN HOLE COVER
ACM01604 (SL)	1	HALF CYLINDER
ACSG023	11	FIXING BLOCK FOR KEEPS
ACVG31	6 x (W/3-133) + 6 x (H-181)	EXTERNAL GLAZING GASKET
ACVG34	6 x (W/3-133) + 6 x (H-181)	INTERNAL GLAZING GASKET
ACVL032	1 x (H-84)	DV76 FLIPPER GASKET
ACW20024	4	CHEVRON FOR DV14
ACDV295	1 PER SASH FRAME	GLASS ADJUSTER KIT
ACSR012A	2 x (W-90) 2 x (H-90)	WOOLPILE

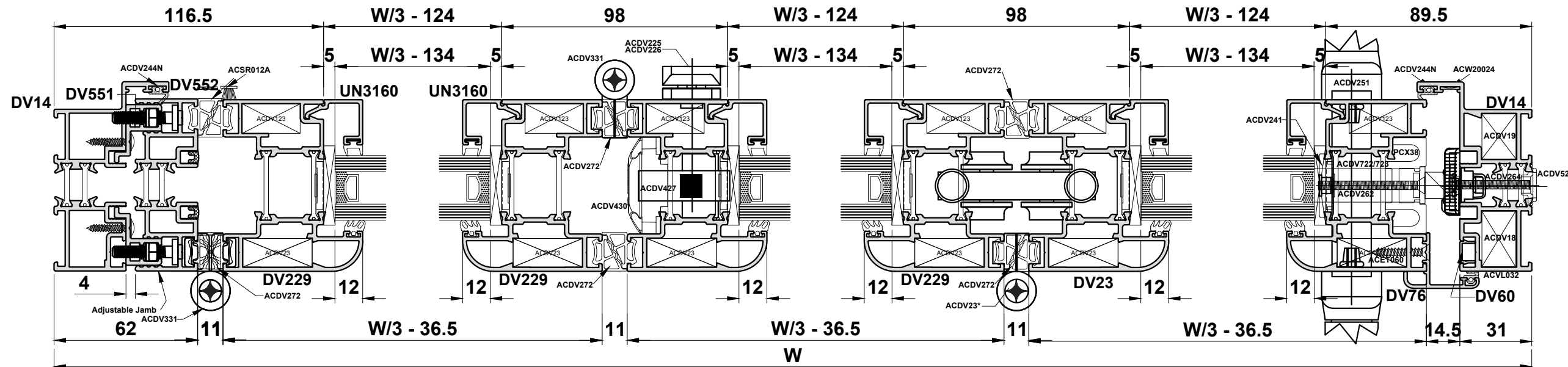


IMPORTANT NOTE:
Min. Sash Width 700mm / Max. Sash Width 1200mm
Max. Sash Weight 100kg
Max. Sash Height 2500mm Dependant On Site Conditions
Always Measure In the Last Vent.

IMPORTANT NOTE:

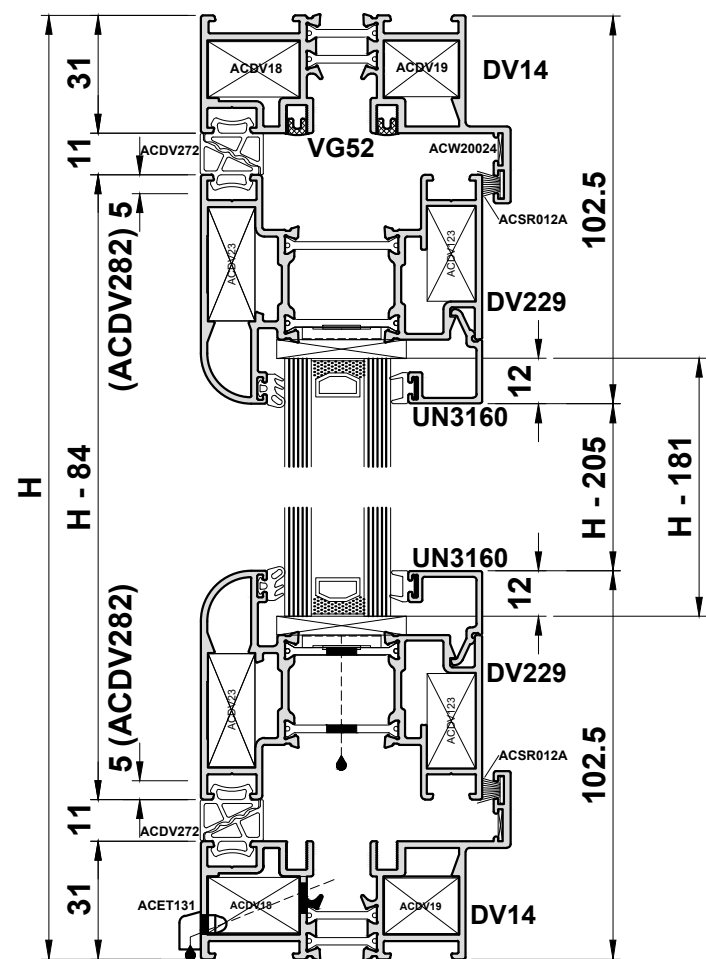
- When using DV220 or DV221 Slim Sash please take the following into account:
- DV220 & DV221 width and height deductions remain the same as standard sashes.
- Beads, Glazing and Glazing Gaskets will need to increase by 10mm (Example: H-205 will change to H-195).
- ACDV123 or ACDV29 Cleats must be used.
- Use DV177 Rebate Adapter on exterior (Example: Interior = DV76 & Exterior = DV177)
- Use PCX38 in place of PCX36
- Use handles suitable for DV220 / DV221 refer to Section B for compatible options
- Please refer to Lock Table in section E

ACDV308	1	MAGNETIC CATCH
+ Optional: 1 x ACDV396 Shootbolt Keep if Sash is over 2300mm high		



Do Not Scale From This Drawing

Cutting Information



PROFILE CUTTING SCHEDULE

DV14		2		W
DV14		2		H
DV229		2		W-87.5
DV229		2		H-84
Glazing Bead		2		W-175.5
Glazing Bead		2		H-205
DV60		3		H-62
DV76		1		H-84
VG52		4		W-62
VG52		4		H-62
PCX38		1		H-84

Note: PCX15 required for leaf heights over 2285mm.

GLASS SIZES	1 X	W - 184.5
		H - 181

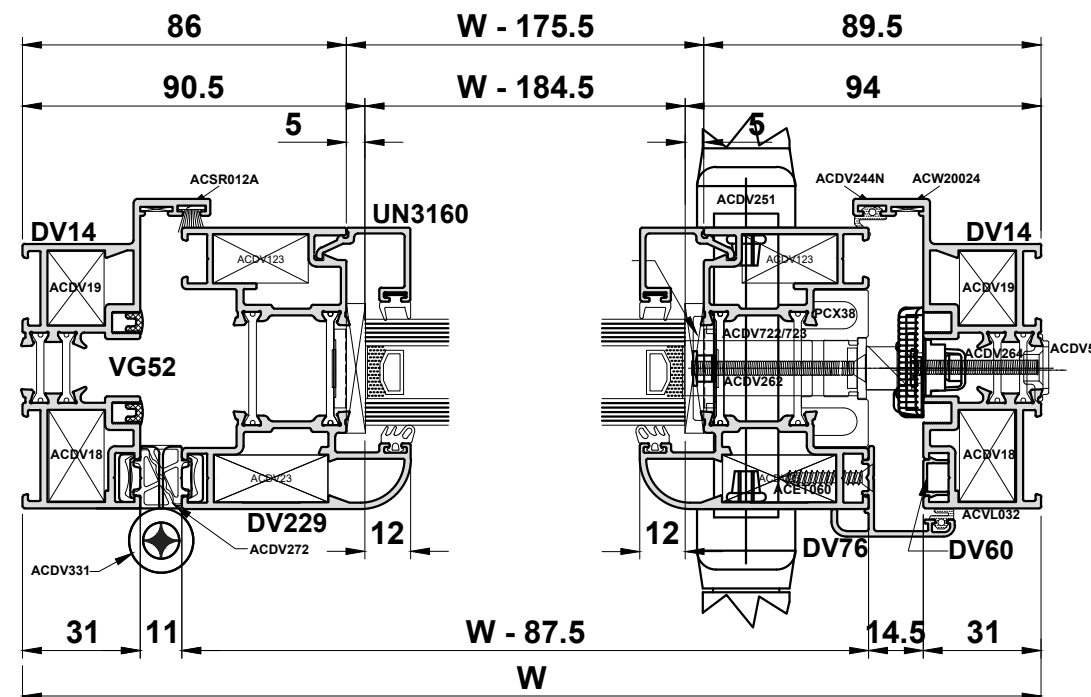
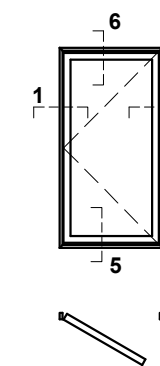
FOR ENHANCED WEATHER PERFORMANCE REPLACE ACDV244N FLIPPER GASKET WITH ACDV268 BUBBLE GASKET

ACCESSORIES

ACDV18	4	CLEAT FOR DV14
ACDV19	4	CLEAT FOR DV14
ACDV23	4	CLEAT FOR DV228 & DV229
ACDV123	4	CLEAT FOR DV228 & DV229
ACDV080	1	RUN UP BLOCK
ACDV331	4	INTERMEDIATE HINGE
ACDV241	11	FIXING BLOCK FOR LOCK
ACDV244N	2 x (W-90) + 2 x (H-90)	FLIPPER GASKET
ACDV251	1 (PAIR)	LEVER HANDLES
ACDV258 (SL)	1	50/50 CYLINDER
ACDV262	11	SCREW FOR LOCK
ACDV264	11	SCREW FOR KEEPS
ACDV272	4 x (W-90) + 2 x (H-62)	SEALING GASKET
ACDV275	1	CORNER MOULDS
ACDV76	1 (PAIR)	END CAP FOR DV76
ACDV722/23	1	MULTI-POINT LOCK
ACET060	11	SCREW FOR DV76
ACET131	2	DRAIN HOLE COVER
ACDV523	11	FIXING BLOCK FOR KEEPS
ACVG31	2 x (W-181) + 2 x (H-181)	EXTERNAL GLAZING GASKET
ACVG34	2 x (W-181) + 2 x (H-181)	INTERNAL GLAZING GASKET
ACVL032	1 x (H-84)	DV76 FLIPPER GASKET
ACW20024	4	CHEVRON FOR DV14
ACDV295	1 PER SASH FRAME	GLASS ADJUSTER KIT
ACSR012A	2 x (W-90) 2 x (H-90)	WOOLPILE

+ Optional: 1 x ACDV396 Shootbolt Keep if Sash is over 2300mm high

Single Door

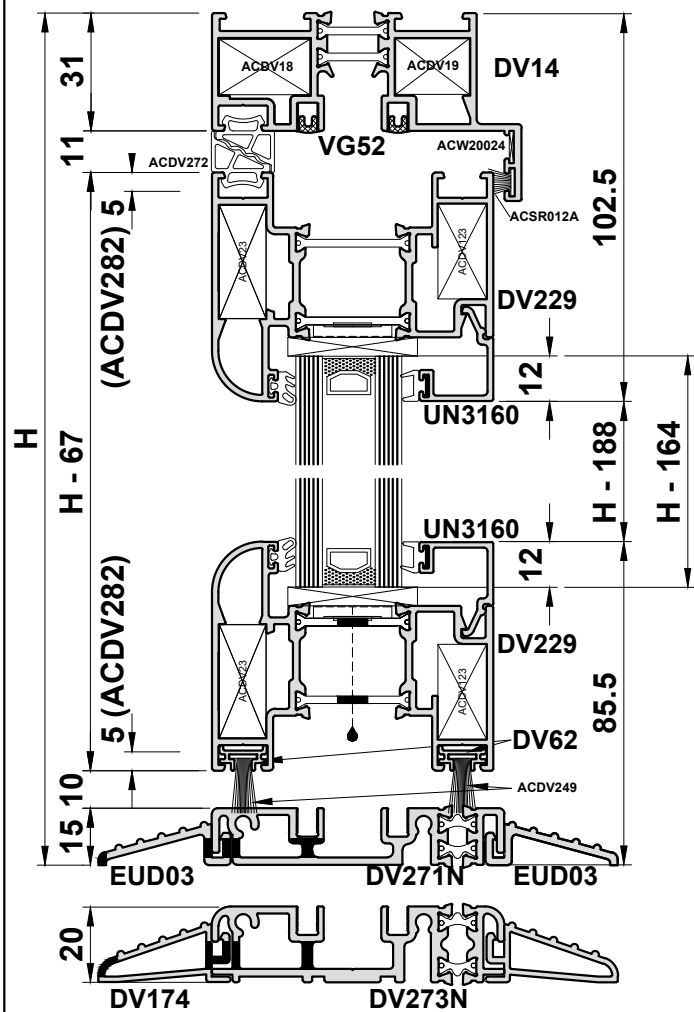


IMPORTANT NOTE:
Min. Sash Width 700mm / Max. Sash Width 1200mm
Max. Sash Weight 100kg
Max. Sash Height 2500mm Dependant On Site Conditions
Always Measure In the Last Vent.

IMPORTANT NOTE:

- When using DV220 or DV221 Slim Sash please take the following into account:
- DV220 & DV221 width and height deductions remain the same as standard sashes.
- Beads, Glazing and Glazing Gaskets will need to increase by 10mm (Example: H-205 will change to H-195).
- ACDV123 or ACDV29 Cleats must be used.
- Use DV177 Rebate Adapter on exterior (Example: Interior = DV76 & Exterior = DV177)
- Use PCX38 in place of PCX36
- Use handles suitable for DV220 / DV221 refer to Section B for compatible options
- Please refer to Lock Table in section E

Do Not Scale From This Drawing



PROFILE CUTTING SCHEDULE

DV14		1		W
DV14		2		H
DV271N		1		W-66
EUD03		1		W-66
EUD03		1		W-103
DV229		2		W-87.5
DV229		2		H-67
DV60		3		H-46
DV62		2		W-87
Glazing Bead		2		W-172
Glazing Bead		2		H-188
DV76		1		H-67
VG52		4		W-62
VG52		4		H-46
PCX38		1		H-67

PROFILE CUTTING SCHEDULE (DV273)

DV273N		1		W-66
DV174		1		W-66
DV174		1		W-103
DV229		2		H-72
Glazing Bead		2		H-193
DV76		1		H-72
PCX38		1		H-72

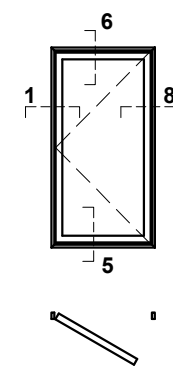
Note: PCX15 required for leaf heights over 2285mm.

ACCESSORIES

ACDV18	2	CLEAT FOR DV14
ACDV19	2	CLEAT FOR DV14
ACDV23	4	CLEAT FOR DV228 & DV229
ACDV123	4	CLEAT FOR DV228 & DV229
ACDV271N/173N	2	THRESHOLD ENDCAP
ACDV331	4	INTERMEDIATE HINGE
ACDV241	11	FIXING BLOCK FOR LOCK
ACDV244N	2 x (W-90) + 2 x (H-65)	FLIPPER GASKET
ACDV249	2 x (W-84)	WOOLPILE
ACDV251	1 (PAIR)	LEVER HANDLES
ACDV254	1 (PAIR)	INFILL BLOCK
ACDV258 (SL)	1	50/50 CYLINDER
ACDV262	11	SCREW FOR LOCK
ACDV264	11	SCREW FOR KEEPS
ACDV272	2 x (W-90) + 2 x (H-46)	SEALING GASKET
ACDV275	1	CORNER MOULDS
ACDV76	1 (PAIR)	END CAP FOR DV76
ACDV722/23	1	MULTI-POINT LOCK
ACDR052	4	SCREWS FOR THRESHOLD
ACET060	13	SCREW FOR DV76
ACDV523	11	FIXING BLOCK FOR KEEPS
ACVG31	2 x (W-181) + 2 x (H-164)	EXTERNAL GLAZING GASKET
ACVG34	2 x (W-181) + 2 x (H-164)	INTERNAL GLAZING GASKET
ACVL032	1 x (H-84)	DV76 FLIPPER GASKET
ACW20024	2	CHEVRON FOR DV14
ACDV295	1 PER SASH FRAME	GLASS ADJUSTER KIT
ACSR012A	1 x (W-90) 2 x (H-65)	WOOLPILE

+ Optional: 1 x ACDV396 Shootbolt Keep if Sash is over 2300mm high

Single Door



IMPORTANT NOTE:
Min. Sash Width 700mm / Max. Sash Width 1200mm
Max. Sash Weight 100kg
Max. Sash Height 2500mm Dependant On Site Conditions
Always Measure In the Last Vent.

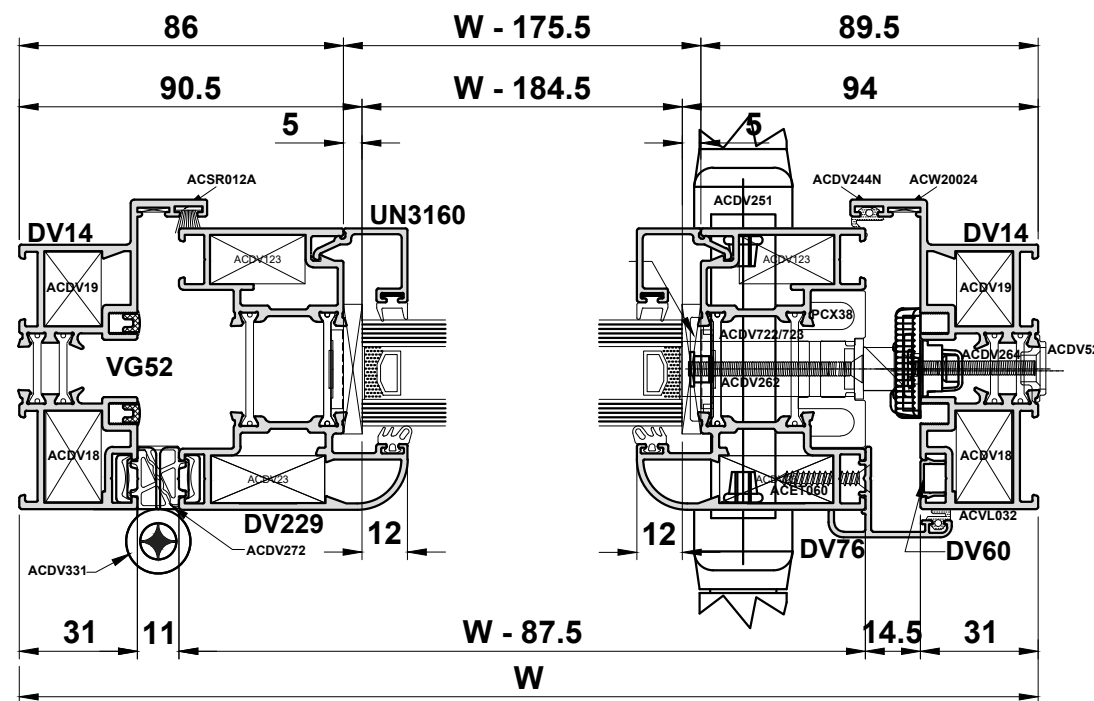
GLASS DEDUCTIONS

DV271	1 x	W - 184.5	H - 164
DV273	1 x	W - 184.5	H - 169

FOR ENHANCED WEATHER PERFORMANCE REPLACE ACDV244N FLIPPER GASKET WITH ACDV268 BUBBLE GASKET

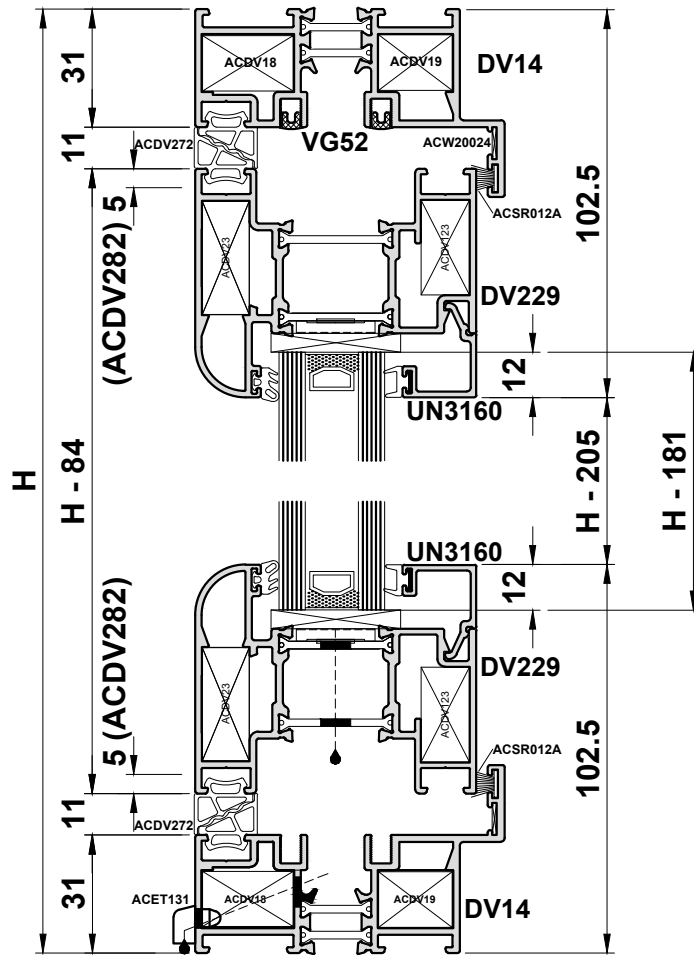
IMPORTANT NOTE:

- When using DV220 or DV221 Slim Sash please take the following into account:
- DV220 & DV221 width and height deductions remain the same as standard sashes.
- Beads, Glazing and Glazing Gaskets will need to increase by 10mm (Example: H-205 will change to H-195).
- ACDV123 or ACDV29 Cleats must be used.
- Use DV177 Rebate Adapter on exterior (Example: Interior = DV76 & Exterior = DV177)
- Use PCX38 in place of PCX36
- Use handles suitable for DV220 / DV221 refer to Section B for compatible options
- Please refer to Lock Table in section E



Do Not Scale From This Drawing

Cutting Information



PROFILE CUTTING SCHEDULE

DV14	2	W
DV14	2	H
DV229	4	W/2 - 53.5
DV229	4	H-84
DV60	1	H-62
Glazing Bead	4	W/2-141
Glazing Bead	4	H-205
DV75	2	H-84
DV76	1	H-84
DV177	1	H-84
VG52	4	W-62
VG52	4	H-62
PCX38	2	H-84

Note: PCX15 required for leaf heights over 2285mm.

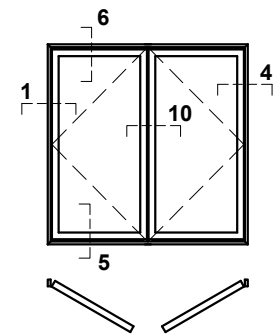
GLASS SIZES	W/2 - 151
2 X	H - 181

FOR ENHANCED WEATHER PERFORMANCE REPLACE ACDV244N FLIPPER GASKET WITH ACDV268 BUBBLE GASKET

ACCESSORIES

ACDV18	4	CLEAT FOR DV14
ACDV19	4	CLEAT FOR DV14
ACDV23	8	CLEAT FOR DV228 & DV229
ACDV123	8	CLEAT FOR DV228 & DV229
ACDV080	2	RUN UP BLOCK
ACDV331	8	INTERMEDIATE HINGE
ACDV241	33	FIXING BLOCK FOR LOCK
ACDV244N	2 x (W-90) + 2 x (H-60)	FLIPPER GASKET
ACDV251	2 (PAIRS)	LEVER HANDLES
ACDV258 (SL)	2	50/50 CYLINDER
ACDV262	22	SCREW FOR LOCK
ACDV264	15	SCREW FOR KEEPS
ACDV270	9	FIXING PLATE FOR KEEPS
ACDV272	4 x (W-90) + 4 x (H-62)	SEALING GASKET
ACDV275	1	CORNER MOULDS
ACDV76	1 (PAIR)	END CAP FOR DV76
ACDV177	1 (PAIR)	END CAP FOR DV177
ACDV722/23	1	MULTI-POINT LOCK
ACDV727	1	SECONDARY DOOR LOCK
ACDV737 & 738	1 EACH	TOP & BOTTOM SHOOTBOLTS
ACDV733	2	SHOOTBOLT KEEP
ACET060	55	SCREW FOR DV68 & DV76
ACET123	11	SCREW FOR KEEP
ACET131	2	DRAIN HOLE COVER
ACVL032	2 x (H-84)	DV76 FLIPPER GASKET
ACW20024	4	CHEVRON FOR DV14
ACDV430	1	GEARBOX COVER
ACSR012A	2 x (W-90) 2 x (H-90)	WOOLPILE
ACDV295	1 PER SASH FRAME	GLASS ADJUSTER KIT

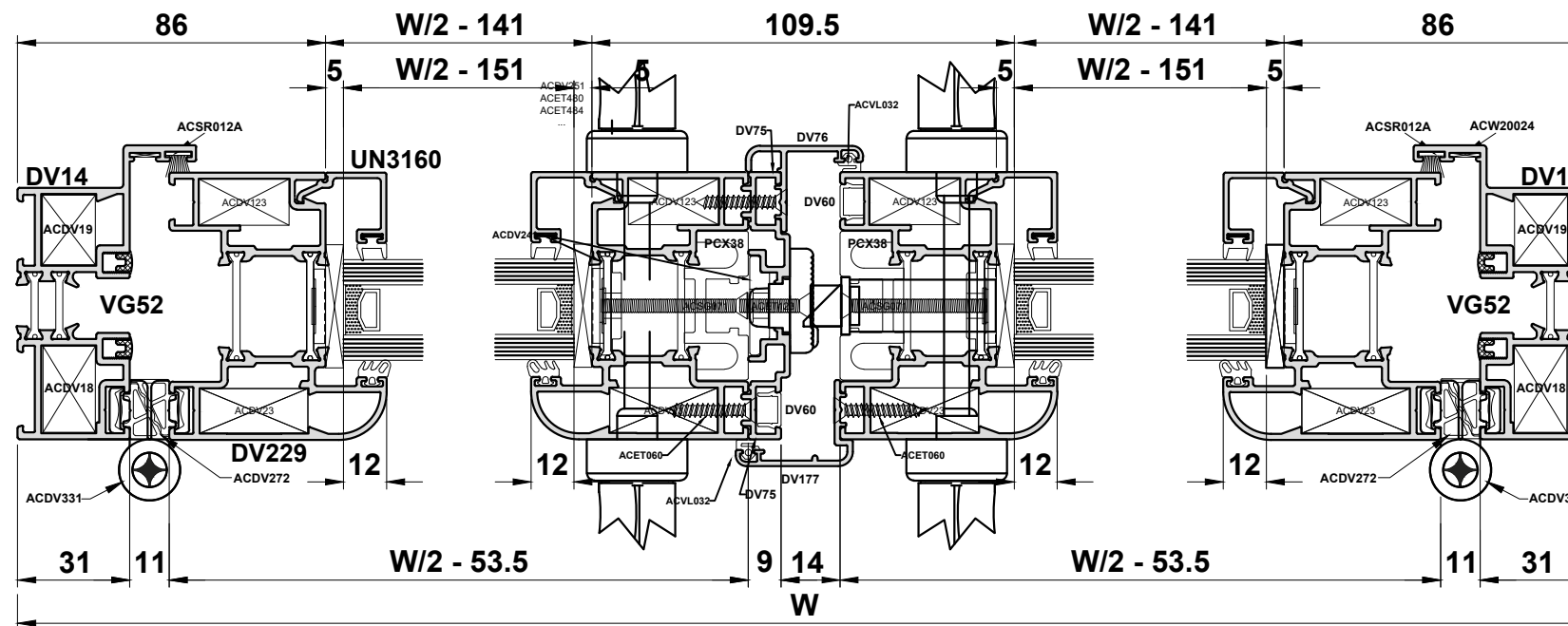
Double Swing Door



IMPORTANT NOTE:
Min. Sash Width 700mm / Max. Sash Width 1200mm
Max. Sash Weight 100kg
Max. Sash Height 2500mm Dependant On Site Conditions
Always Measure In the Last Vent.

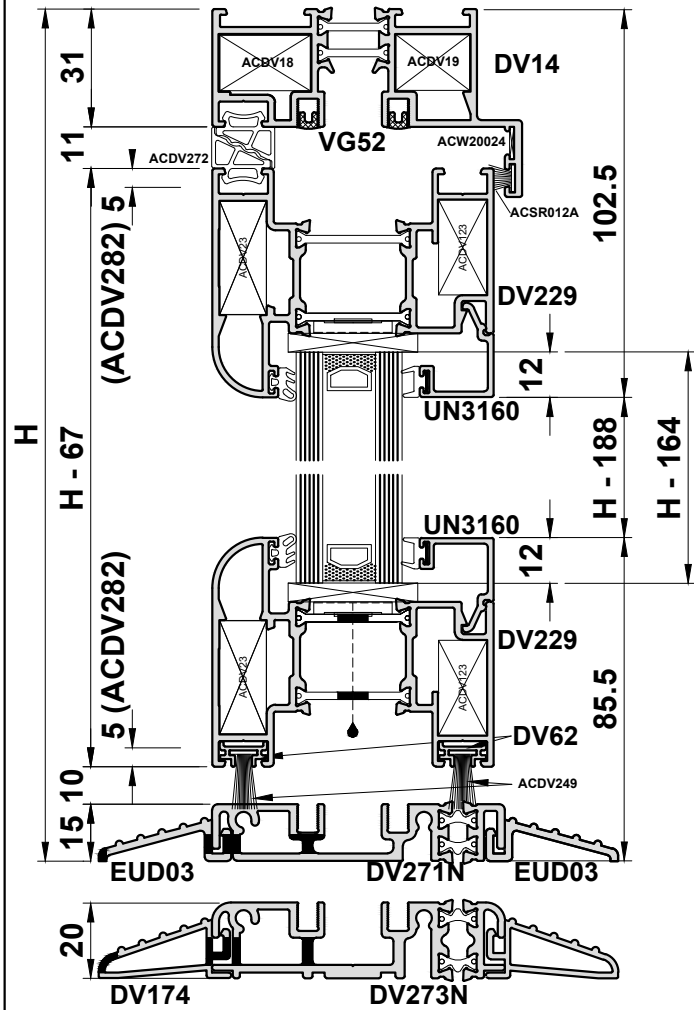
IMPORTANT NOTE:

- When using DV220 or DV221 Slim Sash please take the following into account:
- DV220 & DV221 width and height deductions remain the same as standard sashes.
- Beads, Glazing and Glazing Gaskets will need to increase by 10mm (Example: H-205 will change to H-195).
- ACDV123 or ACDV29 Cleats must be used.
- Use DV177 Rebate Adapter on exterior (Example: Interior = DV76 & Exterior = DV177)
- Use PCX38 in place of PCX36
- Use handles suitable for DV220 / DV221 refer to Section B for compatible options
- Please refer to Lock Table in section E



Do Not Scale From This Drawing

Cutting Information



PROFILE CUTTING SCHEDULE

DV14		1		W
DV14		2		H
DV271		1		W-66
EUD03		1		W-66
EUD03		1		W-103
DV229		4		W/2-53
DV229		4		H-67
DV76		1		H-67
DV60		4		H-46
DV62		4		W/2-67
Glazing Bead		4		W/2-140.5
Glazing Bead		4		H-188
DV75		2		H-67
VG52		4		W-62
VG52		4		H-46
PCX38		2		H-67

PROFILE CUTTING SCHEDULE (DV273)

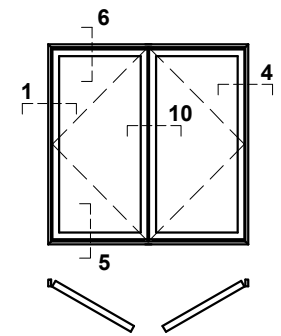
DV273		1		W-66
DV174		1		W-66
DV174		1		W-103
DV229		4		H-72
DV76		2		H-72
DV68		2		H-72
Glazing Bead		4		H-193
PCX38		2		H-72

Note: PCX15 required for leaf heights over 2285mm.

ACCESSORIES

ACDV18	2	CLEAT FOR DV14
ACDV19	2	CLEAT FOR DV14
ACDV23	8	CLEAT FOR DV228 & DV229
ACDV123	8	CLEAT FOR DV228 & DV229
ACDV271N/173N	2	THRESHOLD ENDCAP
ACDV331	8	INTERMEDIATE HINGE
ACDV241	11	FIXING BLOCK FOR LOCK
ACDV244N	1 x (W-90) + 2 x (H-65)	FLIPPER GASKET
ACDV249	4 x (W/2-53)	WOOLPILE
ACDV251	2 (PAIRS)	LEVER HANDLES
ACDV254	3 (PAIRS)	INFILL BLOCK
ACDV258 (SL)	2	50/50 CYLINDER
ACDV262	22	SCREW FOR LOCK
ACDV264	15	SCREW FOR KEEPS
ACDV270	9	FIXING PLATE FOR KEEPS
ACDV272	2 x (W-90) + 4 x (H-46)	SEALING GASKET
ACDV275	1	CORNER MOULDS
ACDV76	1 (PAIR)	END CAP FOR DV76
ACDV177	1 (PAIR)	END CAP FOR DV177
ACDV722/23	1	MULTI-POINT LOCK
ACDV727	1	SECONDARY DOOR LOCK
ACDV737 & 738	1 EACH	TOP & BOTTOM SHOOTBOLTS
ACDV733	2	SHOOTBOLT KEEP
ACDR052	4	SCREWS FOR THRESHOLD
ACET060	91	SCREW FOR DV68 & DV76
ACET123	11	SCREW FOR KEEP
ACVG31	4 x (W/2-141) + 4 x (H-181)	EXTERNAL GLAZING GASKET
ACVG34	4 x (W/2-141) + 4 x (H-181)	INTERNAL GLAZING GASKET
ACVL032	2 x (H-84)	DV76 FLIPPER GASKET
ACW20024	2	CHEVRON FOR DV14
ACDV292	1	BRUSH PILE CARRIER
ACDV430	1	GEARBOX COVER
ACSR012A	1 x (W-90) 2 x (H-65)	WOOLPILE
ACDV295	1 PER SASH FRAME	GLASS ADJUSTER KIT

Double Swing Door



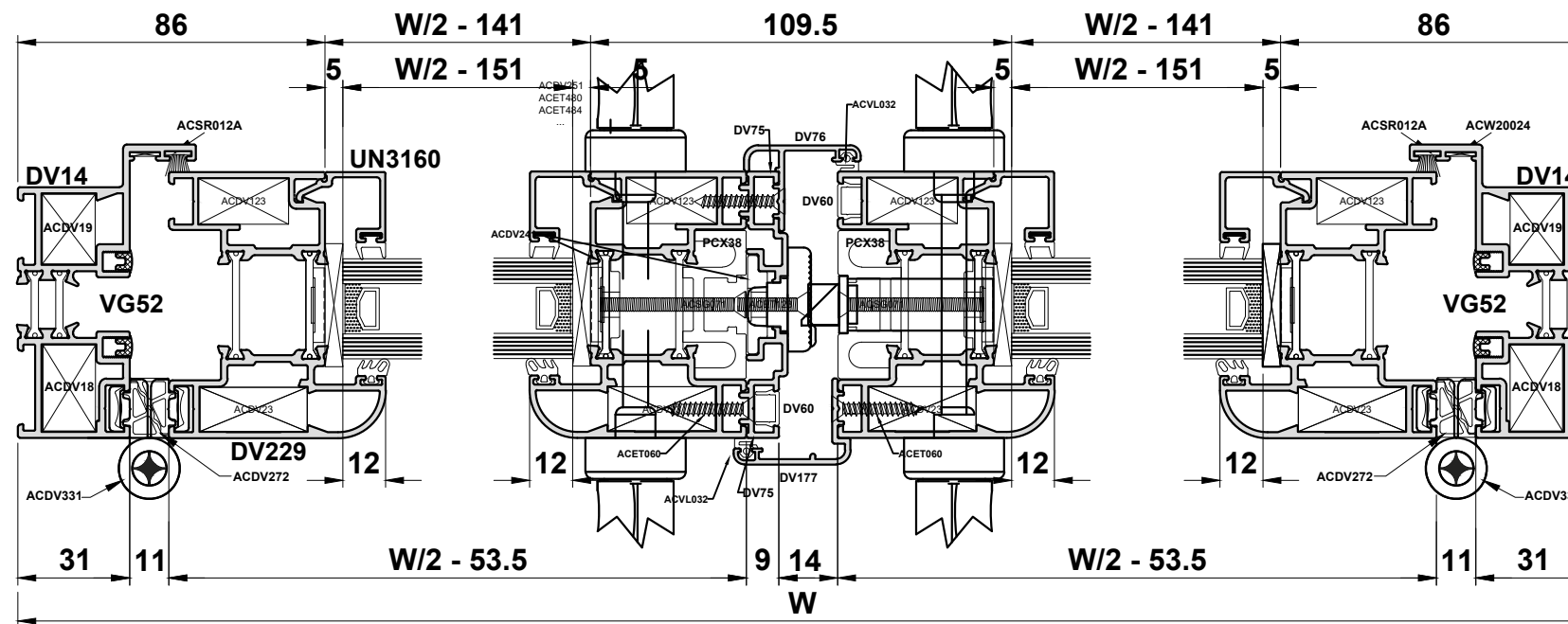
IMPORTANT NOTE:
Min. Sash Width 700mm / Max. Sash Width 1200mm
Max. Sash Weight 100kg
Max. Sash Height 2500mm Dependant On Site Conditions
Always Measure In the Last Vent.

GLASS DEDUCTIONS

DV271N	2 x	W/2 - 150.5	H - 164
DV273N	2 x	W/2 - 150.5	H - 169

IMPORTANT NOTE:

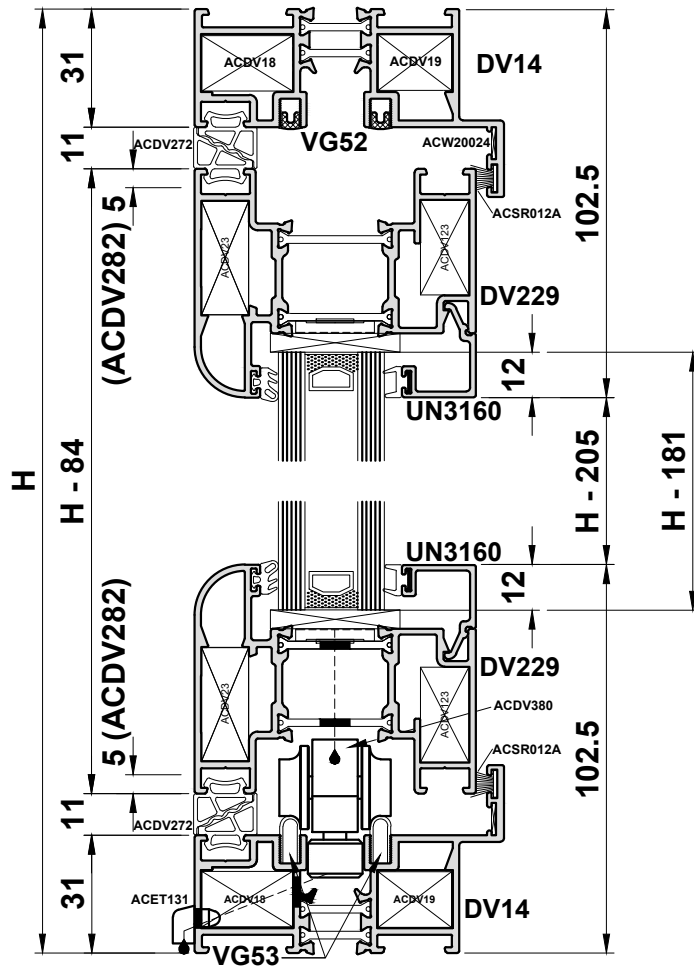
- When using DV220 or DV221 Slim Sash please take the following into account:
- DV220 & DV221 width and height deductions remain the same as standard sashes.
- Beads, Glazing and Glazing Gaskets will need to increase by 10mm (Example: H-205 will change to H-195).
- ACDV123 or ACDV29 Cleats must be used.
- Use DV177 Rebate Adapter on exterior (Example: Interior = DV76 & Exterior = DV177)
- Use PCX38 in place of PCX36
- Use handles suitable for DV220 / DV221 refer to Section B for compatible options
- Please refer to Lock Table in section E



FOR ENHANCED WEATHER PERFORMANCE REPLACE ACDV244N FLIPPER GASKET WITH ACDV268 BUBBLE GASKET

Do Not Scale From This Drawing

Cutting Information



PROFILE CUTTING SCHEDULE

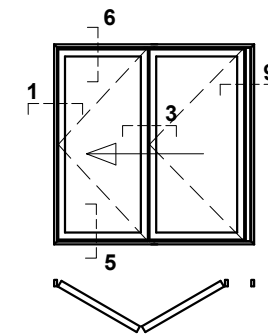
DV14		2		W
DV14		2		H
DV229		4		W/2 - 71
DV229		4		H-84
DV32		1		H-94
DV56		1		H-84
DV60		3		H-62
Glazing Bead		4		W/2-158.5
Glazing Bead		4		H-205
VG52		2		W-62
VG52		4		H-62
VG53		2		W-62

GLASS SIZES	2 X	W/2 - 168.5
		H - 181

ACCESSORIES

ACDV18	4	CLEAT FOR DV14
ACDV19	4	CLEAT FOR DV14
ACDV23	8	CLEAT FOR DV228 & DV229
ACDV123	8	CLEAT FOR DV228 & DV229
ACDV225 or 226	1	SHOOTBOLT HANDLE
ACDV427	1	SHOOTBOLT GEARBOX
ACDV328	1 (PAIR)	SHOOTBOLT ROD
ACDV229	1 (PAIR)	SHOOTBOLT GUIDE
ACDV331	11	INTERMEDIATE HINGE
ACDV234	1	D-HANDLE/HINGE
ACDV241	11	FIXING BLOCK FOR LOCK
ACDV56	1 (PAIR)	END CAP FOR DV56
ACDV272	4 x (W-90) + 10 x (H-62)	SEALING GASKET (cut to fit)
ACDV275	2	CORNER MOULDS
ACDV380	1	DV32 BOTTOM ROLLER
ACDV381	1	DV32 TOP GUIDE
ACDV282	4	WOOLPILE CARRIER
ACET060	15	SCREW FOR DV56
ACET133	2	SCREW FOR ACDV225/6
ACET131	2	DRAIN HOLE COVER
ACMX01604 (SL)	1	HALF CYLINDER
ACSR012A	2 x (W-90) + 2 x (H-90)	WOOLPILE
ACSR012A	4 x 47mm	WOOLPILE FOR ACDV282
ACVG31	4 x (W/2-168) + 4 x (H-181)	EXTERNAL GLAZING GASKET
ACVG34	4 x (W/2-168) + 4 x (H-181)	INTERNAL GLAZING GASKET
ACVL032	1 x (H-84)	DV56 FLIPPER GASKET
ACW20024	4	CHEVRON FOR DV14
ACDV430	1	GEARBOX COVER
ACDV295	1 PER SASH FRAME	GLASS ADJUSTER KIT (IF SASH IS OVER 900mm WIDE)
ACDV385	1	FLOATING MULLION GUIDE

Double Slide Door

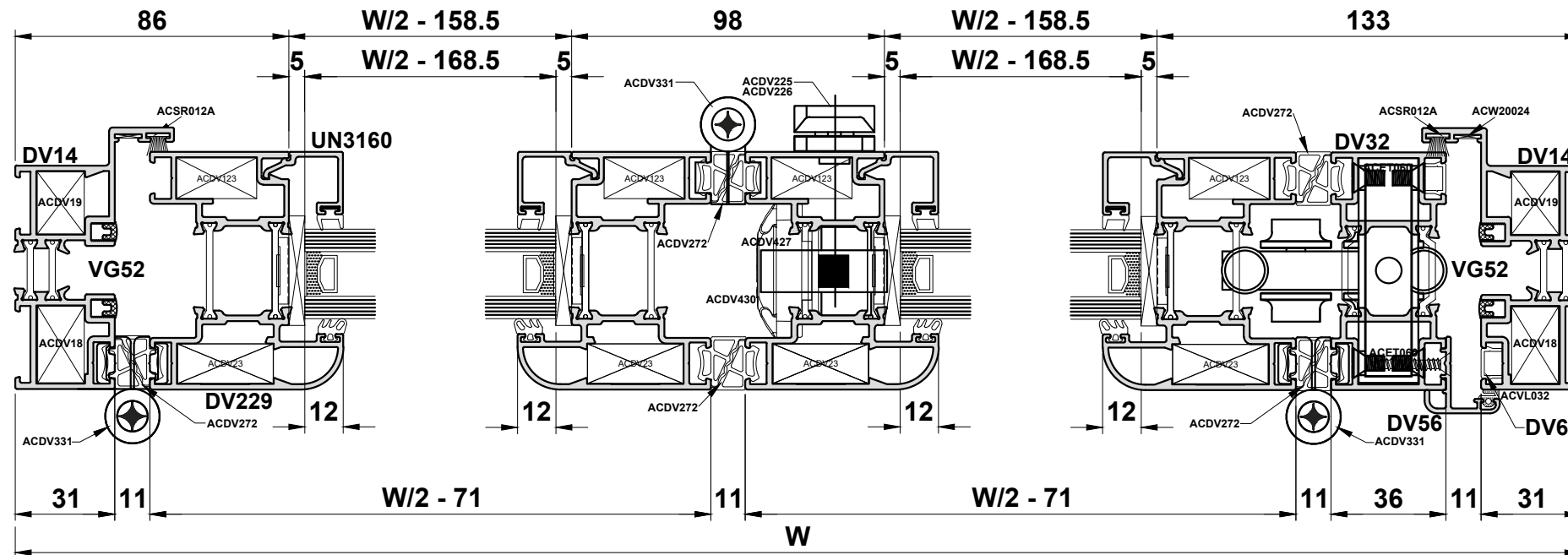


NOTE:
This design does not offer external access or an individual traffic door.

IMPORTANT NOTE:
Min. Sash Width 700mm / Max. Sash Width 1200mm
Max. Sash Weight 100kg
Max. Sash Height 2500mm Dependant On Site Conditions
Always Measure In the Last Vent.

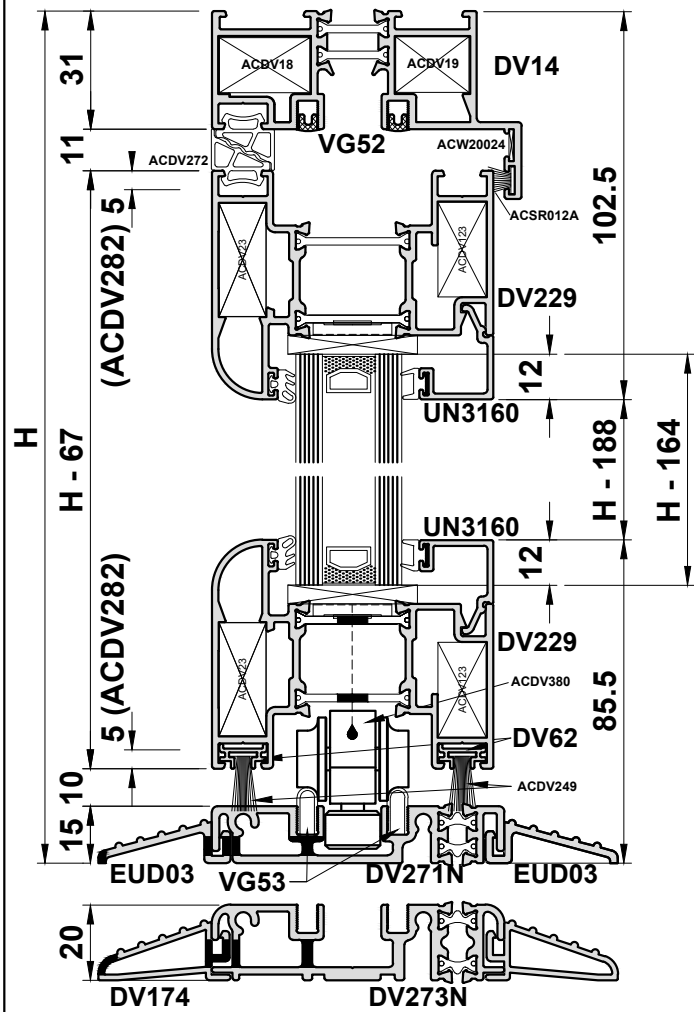
IMPORTANT NOTE:

- When using DV220 or DV221 Slim Sash please take the following into account:
- DV220 & DV221 width and height deductions remain the same as standard sashes.
- Beads, Glazing and Glazing Gaskets will need to increase by 10mm (Example: H-205 will change to H-195).
- ACDV123 or ACDV29 Cleats must be used.
- Use DV177 Rebate Adapter on exterior (Example: Interior = DV76 & Exterior = DV177)
- Use PCX38 in place of PCX36
- Use handles suitable for DV220 / DV221 refer to Section B for compatible options
- Please refer to Lock Table in section E



Do Not Scale From This Drawing

Cutting Information



PROFILE CUTTING SCHEDULE

DV14		1		W
DV14		2		H
DV271N		1		W-66
EUD03		1		W-66
DV229		4		W/2-71
DV229		4		H-67
DV32		1		H-78
DV56		1		H-67
DV62		1		W/2-84
DV62		3		W/2-77.5
Glazing Bead		4		W/2-158.5
Glazing Bead		4		H-154 H-188
DV60		3		H-46
VG52		2		W-62
VG52		4		H-46
VG53		2		W-62

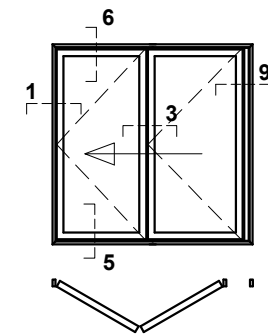
PROFILE CUTTING SCHEDULE (DV273)

DV273N		1		W-66
DV174		1		W-66
DV174		1		W-103
DV23		4		H-72
DV32		1		H-83
DV56		2		H-72
Glazing Bead		4		H-159 H-193

ACCESSORIES

ACDV18	2	CLEAT FOR DV14
ACDV19	2	CLEAT FOR DV14
ACDV23	8	CLEAT FOR DV228 & DV229
ACDV123	8	CLEAT FOR DV228 & DV229
ACDV271N/173N	2	THRESHOLD ENDCAP
ACDV225 or 226	1	SHOOTBOLT HANDLE
ACDV427	1	SHOOTBOLT GEARBOX
ACDV328	1 (PAIR)	SHOOTBOLT ROD
ACDV229	1 (PAIR)	SHOOTBOLT GUIDE
ACDV331	11	INTERMEDIATE HINGE
ACDV234	1	D-HANDLE/HINGE
ACDV249	4 x (W/2-53)	WOOLPILE
ACDV249	2 x 47mm	WOOLPILE
ACDV254	5 (PAIRS)	INFILL BLOCK
ACDV272	4 x (W-90) + 10 x (H-46)	SEALING GASKET (cut to fit)
ACDV275	2	CORNER MOULDS
ACDV380	1	DV32 BOTTOM ROLLER
ACDV381	1	DV32 TOP GUIDE
ACDV282	4	WOOLPILE CARRIER
ACDV56	1 (PAIR)	END CAP FOR DV56
ACDR052	4	SCREWS FOR THRESHOLD
ACET060	13	SCREW FOR DV56
ACET133	2	SCREW FOR ACDV225/6
ACMX01604 (SL)	1	HALF CYLINDER
ACSR012A	1 x (W-90) + 2 x (H-65)	WOOLPILE
ACSR012A	2 x 47mm	WOOLPILE FOR ACDV282
ACVG31	4 x (W/2-168) + 4 x (H-188)	EXTERNAL GLAZING GASKET
ACVG34	4 x (W/2-168) + 4 x (H-188)	INTERNAL GLAZING GASKET
ACVL032	1 x (H-84)	DV56 FLIPPER GASKET
ACW20024	2	CHEVRON FOR DV14
ACDV430	1	GEARBOX COVER
ACDV295	1 PER SASH FRAME	GLASS ADJUSTER KIT (IF SASH IS OVER 900mm WIDE)
ACDV385	1	FLOATING MULLION GUIDE

Double Slide Door



NOTE:

This design does not offer external access or an individual traffic door.

IMPORTANT NOTE:

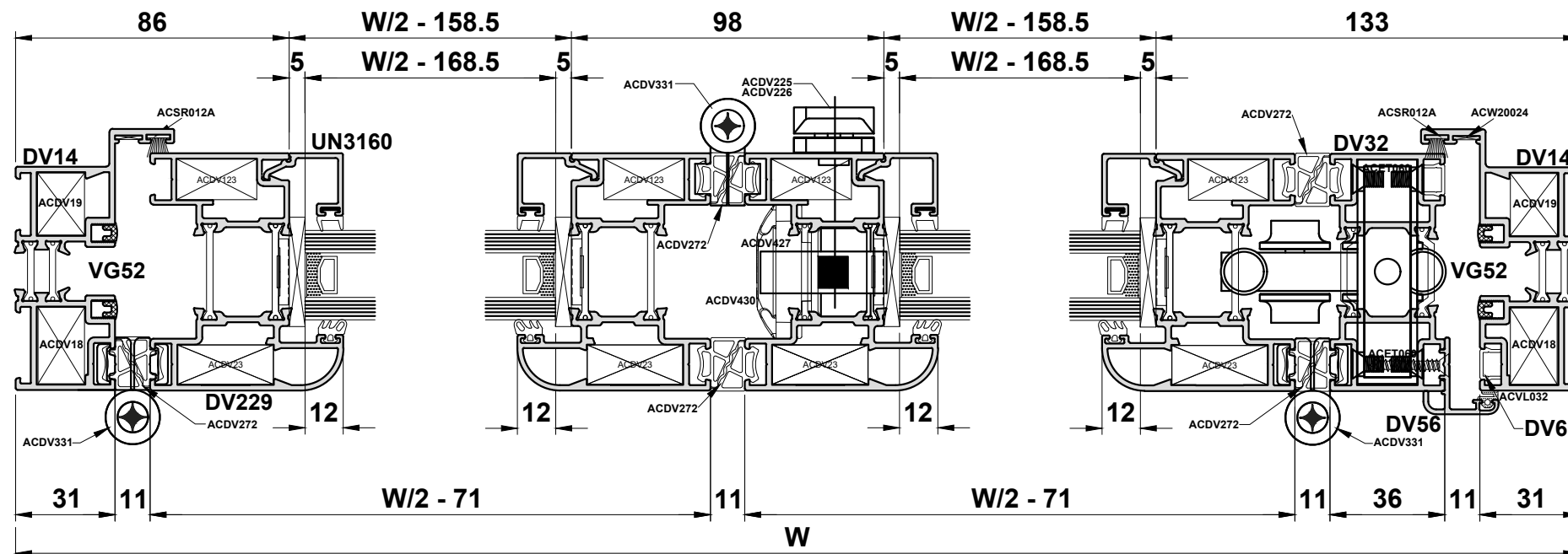
Min. Sash Width 700mm / Max. Sash Width 1200mm
Max. Sash Weight 100kg
Max. Sash Height 2500mm Dependant On Site Conditions
Always Measure In the Last Vent.

GLASS DEDUCTIONS

DV271	2 x	W/2 - 168.5	H - 164
DV273	2 x	W/2 - 168.5	H - 169

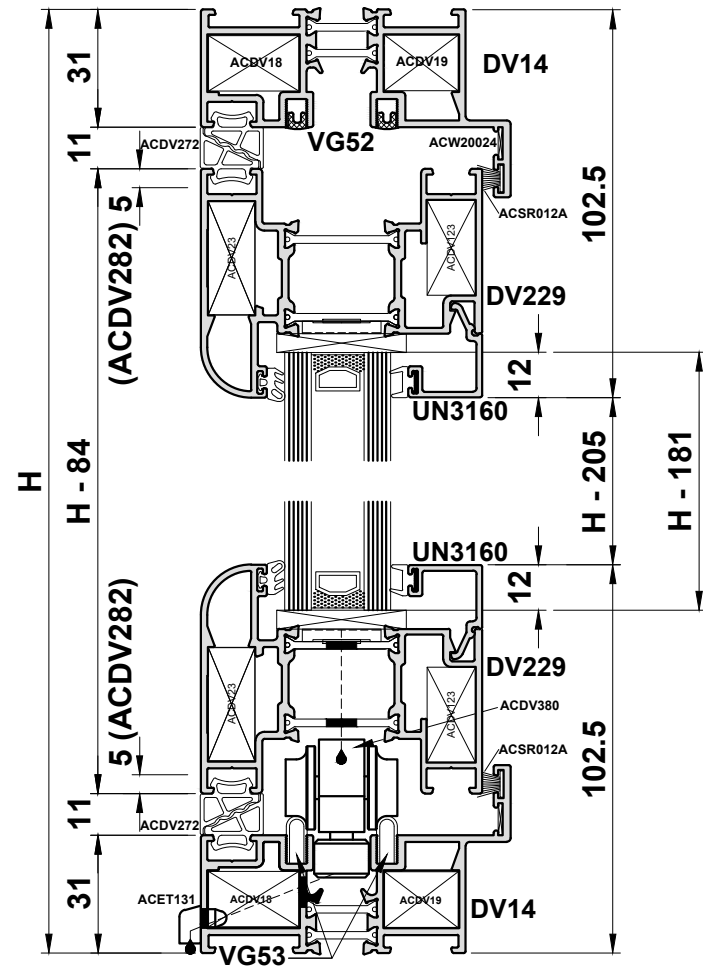
IMPORTANT NOTE:

- When using DV220 or DV221 Slim Sash please take the following into account:
- DV220 & DV221 width and height deductions remain the same as standard sashes.
- Beads, Glazing and Glazing Gaskets will need to increase by 10mm (Example: H-205 will change to H-195).
- ACDV123 or ACDV29 Cleats must be used.
- Use DV177 Rebate Adapter on exterior (Example: Interior = DV76 & Exterior = DV177)
- Use PCX38 in place of PCX36
- Use handles suitable for DV220 / DV221 refer to Section B for compatible options
- Please refer to Lock Table in section E



Do Not Scale From This Drawing

Cutting Information



PROFILE CUTTING SCHEDULE

DV14		2		W
DV14		2		H
DV23		10		W/5 - 35.5
DV23		10		H-84
DV38		1		H-94
DV60		4		H-62
DV76		2		H-84
Glazing Bead		10		W/5-113
Glazing Bead		10		H-205
VG52		2		W-62
VG52		4		H-62
VG53		2		W-62
PCX36		1		H-84
PCX38		1		H-84

Note: PCX15 required for leaf heights over 2285mm.

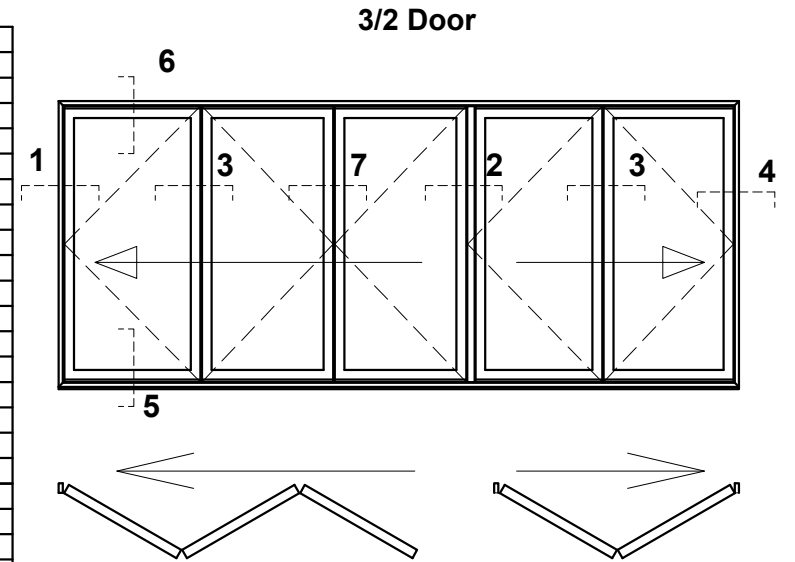
GLASS SIZES	W/5 - 132
5 X	H - 181

IMPORTANT NOTE:

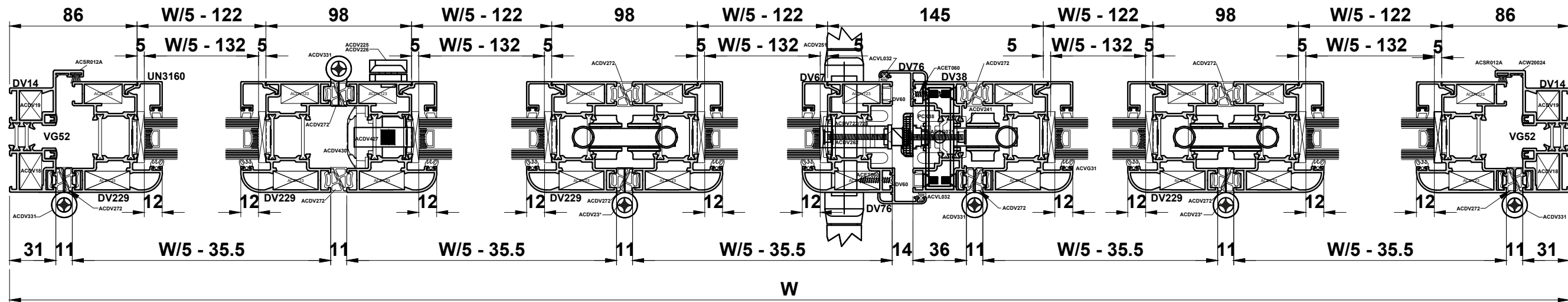
- When using DV220 or DV221 Slim Sash please take the following into account: DV220 & DV221 width and height deductions remain the same as standard sashes.
- Beads, Glazing and Glazing Gaskets will need to increase by 10mm (Example: H-205 will change to H-195).
- ACDV123 or ACDV29 Cleats must be used.
- Use DV177 Rebate Adapter on exterior (Example: Interior = DV76 & Exterior = DV177)
- Use PCX38 in place of PCX36
- Use handles suitable for DV220 / DV221 refer to Section B for compatible options
- Please refer to Lock Table in section E

ACCESSORIES

ACDV18	4	CLEAT FOR DV14
ACDV19	4	CLEAT FOR DV14
ACDV23	40	CLEAT FOR DV228 & DV229
ACDV080	1	RUN UP BLOCK
ACDV225 or 226	2	SHOOTBOLT HANDLE
ACDV427	2	SHOOTBOLT GEARBOX
ACDV328	2 (PAIRS)	SHOOTBOLT ROD
ACDV229	2 (PAIRS)	SHOOTBOLT GUIDE
ACDV430	2	SHOOTBOLT COVER
ACDV331	20	INTERMEDIATE HINGE
ACDV232	1	BOTTOM ROLLER HINGE
ACDV233	1	TOP GUIDE HINGE
ACDV234	2	D-HANDLE/HINGE
ACDV241	22	FIXING BLOCK FOR LOCK
ACDV251	1 (PAIR)	LEVER HANDLES
ACDV258 (SL)	1	50/50 CYLINDER
ACDV262	22	SCREW FOR LOCK & KEEPS
ACDV76	2 (PAIRS)	END CAP FOR DV76
ACDV272	4 x (W-62) + 20 x (H-62)	SEALING GASKET
ACDV275	5	CORNER MOULDS
ACDV380	1	DV32 BOTTOM ROLLER
ACDV381	1	DV32 TOP GUIDE
ACDV282	4	WOOLPILE CARRIER
ACDV722/23	1	MULTI-POINT LOCK
ACET060	26	SCREW FOR DV76 & HINGES
ACET133	4	SCREW FOR ACDV225/6
ACET131	2	DRAIN HOLE COVER
ACMX01604 (SL)	2	HALF CYLINDER
ACSR012A	2 x (W-90) + 2 x (H-90)	WOOLPILE
ACVG31	10 x (W/5-123) + 10 x (H-181)	EXTERNAL GLAZING GASKET
ACVG34	10 x (W/5-123) + 10 x (H-181)	INTERNAL GLAZING GASKET
ACVL032	2 x (H-84)	DV76 FLIPPER GASKET
ACW20024	4	CHEVRON FOR DV14
ACDV295	1 PER SASH FRAME	GLASS ADJUSTER KIT (IF SASH IS OVER 900mm WIDE)
ACDV308	1	MAGNETIC CATCH
ACDV385	1	FLOATING MULLION GUIDE

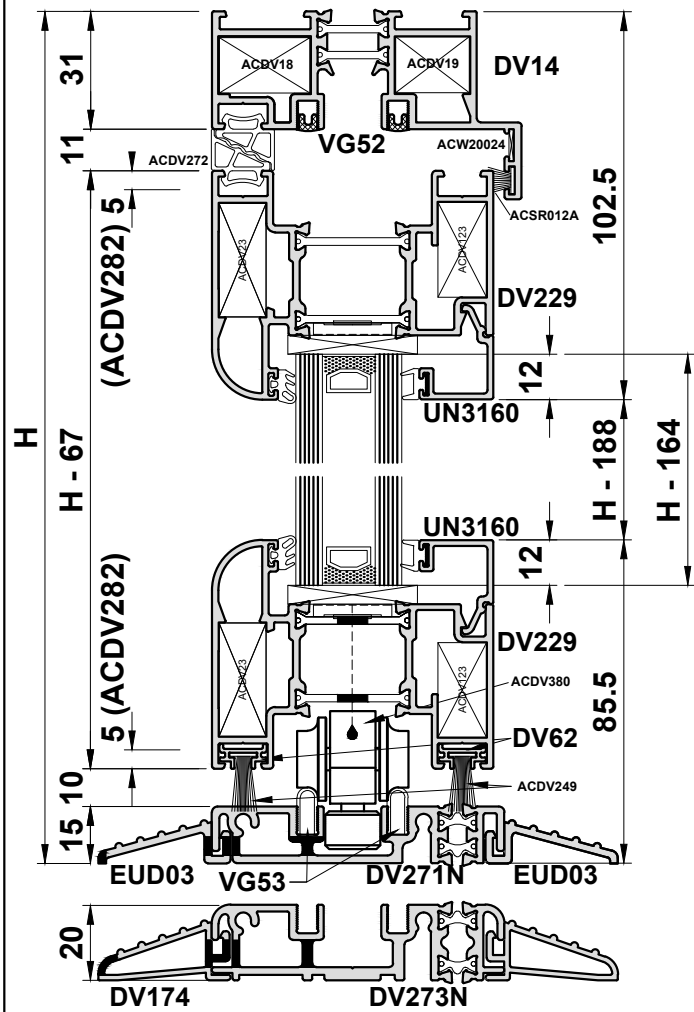


IMPORTANT NOTE:
Min. Sash Width 700mm / Max. Sash Width 1200mm
Max. Sash Weight 100kg
Max. Sash Height 2500mm Dependant On Site Conditions
Always Measure In the Last Vent.



Do Not Scale From This Drawing

Cutting Information



PROFILE CUTTING SCHEDULE

DV14		1		W
DV14		2		H
DV271N		1		W-66
EUD03		1		W-66
EUD03		1		W-103
DV229		10		W/5-35.5
DV229		10		H-67
DV38		1		H-77
DV60		4		H-46
DV76		2		H-67
DV62		2		W/5-40
DV62		8		W/5-54
Glazing Bead		10		W/5-123
Glazing Bead		10		H-188
VG52		2		W-62
VG52		4		H-46
VG53		2		W-62
PCX36		2		H-84

PROFILE CUTTING SCHEDULE (DV273)

DV273N		1		W-66
DV174		1		W-66
DV174		1		W-103
DV23		10		H-72
DV38		1		H-82
DV76		2		H-72
Glazing Bead		10		H-193
PCX38		2		H-84

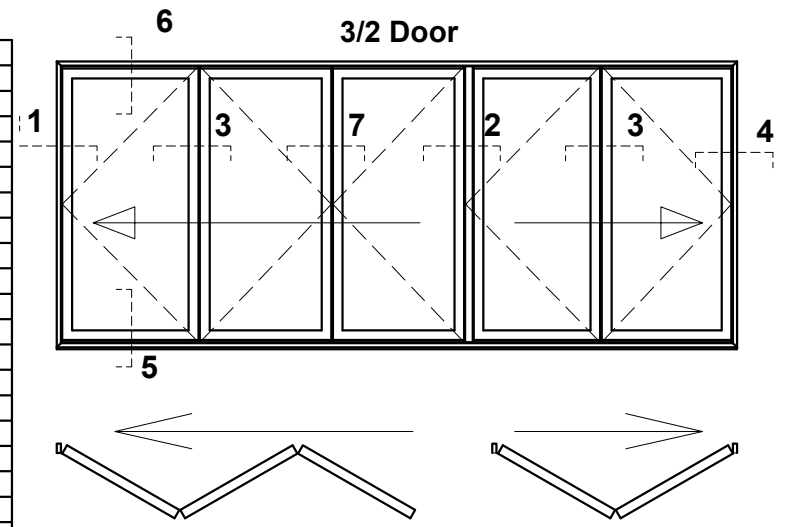
Note: PCX15 required for leaf heights over 2285mm.

GLASS DEDUCTIONS

DV271	5 x	W/5 - 132	H - 164
DV273	5 x	W/5 - 132	H - 169

ACCESSORIES

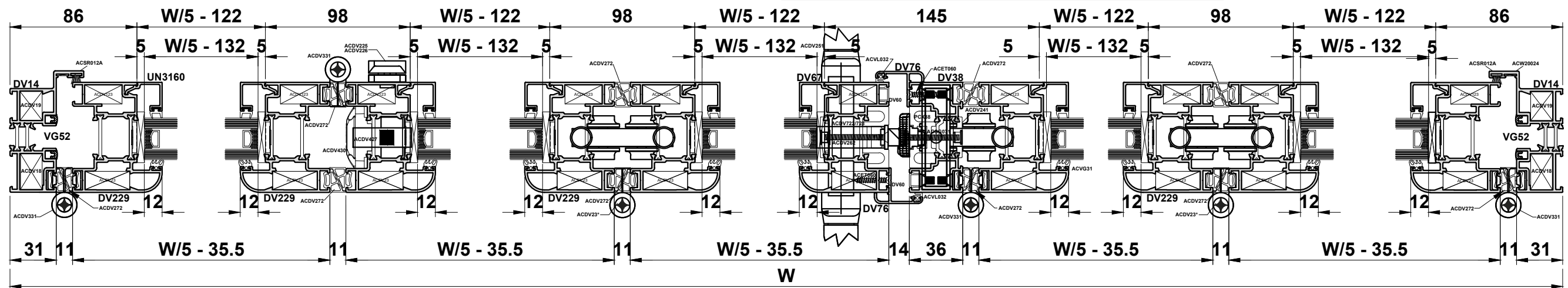
ACDV18	4	CLEAT FOR DV14
ACDV19	4	CLEAT FOR DV14
ACDV23	20	CLEAT FOR DV228 & DV229
ACDV123	20	CLEAT FOR DV228 & DV229
ACDV271N/173N	2	THRESHOLD ENDCAP
ACDV225 or 226	2	SHOOTBOLT HANDLE
ACDV427	2	SHOOTBOLT GEARBOX
ACDV328	2 (PAIRS)	SHOOTBOLT ROD
ACDV229	2 (PAIRS)	SHOOTBOLT GUIDE
ACDV430	2	SHOOTBOLT COVER
ACDV331	20	INTERMEDIATE HINGE
ACDV232	1	BOTTOM ROLLER HINGE
ACDV233	1	TOP GUIDE HINGE
ACDV234	2	D-HANDLE/HINGE
ACDV241	22	FIXING BLOCK FOR LOCK
ACDV249	10 x (W/5-35)	WOOLPILE
ACDV249	2 x 47mm	WOOLPILE FOR ACDV282
ACDV251	1 (PAIR)	LEVER HANDLES
ACDV254	10 (PAIRS)	INFILL BLOCK
ACDV258 (SL)	1	50/50 CYLINDER
ACDV262	22	SCREW FOR LOCK & KEEPS
ACDV76	2 (PAIRS)	END CAP FOR DV76
ACDV272	2 x (W-62) + 20 x (H-46)	SEALING GASKET
ACDV275	5	CORNER MOULDS
ACDV380	1	DV32 BOTTOM ROLLER
ACDV381	1	DV32 TOP GUIDE
ACDV282	4	WOOLPILE CARRIER
ACDV722/23	1	MULTI-POINT LOCK
ACDR052	4	SCREWS FOR THRESHOLD
ACET060	26	SCREW FOR DV76 & ACDV252
ACET133	4	SCREW FOR ACDV225/6
ACMX01604 (SL)	2	HALF CYLINDER
ACSR012A	1 x (W-90) + 2 x (H-65)	WOOLPILE
ACSR012A	2 x 47mm	WOOLPILE FOR ACDV282
ACVG31	10 x (W/5-132) + 10 x (H-164)	EXTERNAL GLAZING GASKET
ACVG34	10 x (W/5-132) + 10 x (H-164)	INTERNAL GLAZING GASKET
ACVL032	2 x (H-67)	DV76 FLIPPER GASKET
ACW20024	4	CHEVRON FOR DV14
ACDV292	1	BRUSH PILE CARRIER
ACDV295	1 PER SASH FRAME	GLASS ADJUSTER KIT (IF SASH IS OVER 900mm WIDE)
ACDV308	1	MAGNETIC CATCH
ACDV385	1	FLOATING MULLION GUIDE



IMPORTANT NOTE:
Min. Sash Width 700mm / Max. Sash Width 1200mm
Max. Sash Weight 100kg
Max. Sash Height 2500mm Dependant On Site Conditions
Always Measure In the Last Vent.

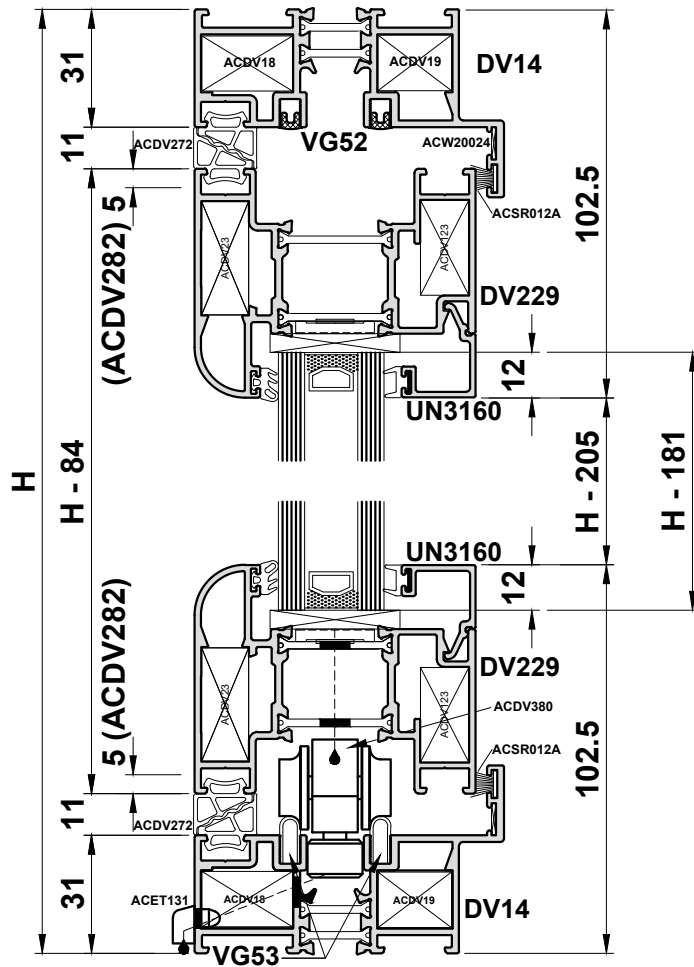
IMPORTANT NOTE:

- When using DV220 or DV221 Slim Sash please take the following into account: DV220 & DV221 width and height deductions remain the same as standard sashes.
- Beads, Glazing and Glazing Gaskets will need to increase by 10mm (Example: H-205 will change to H-195).
- ACDV123 or ACDV29 Cleats must be used.
- Use DV177 Rebate Adapter on exterior (Example: Interior = DV76 & Exterior = DV177)
- Use PCX38 in place of PCX36
- Use handles suitable for DV220 / DV221 refer to Section B for compatible options
- Please refer to Lock Table in section E



Do Not Scale From This Drawing

Cutting Information



PROFILE CUTTING SCHEDULE

DV14		2		W
DV14		2		H
DV229		10		W/5 - 35.5
DV229		10		H-84
DV38		1		H-94
Glazing Bead		10		W/5-123
Glazing Bead		10		H-205
DV60		4		H-62
DV76		2		H-84
VG52		2		W-62
VG52		4		H-62
VG53		2		W-62
PCX38		1		H-84

Note: PCX15 required for leaf heights over 2285mm.

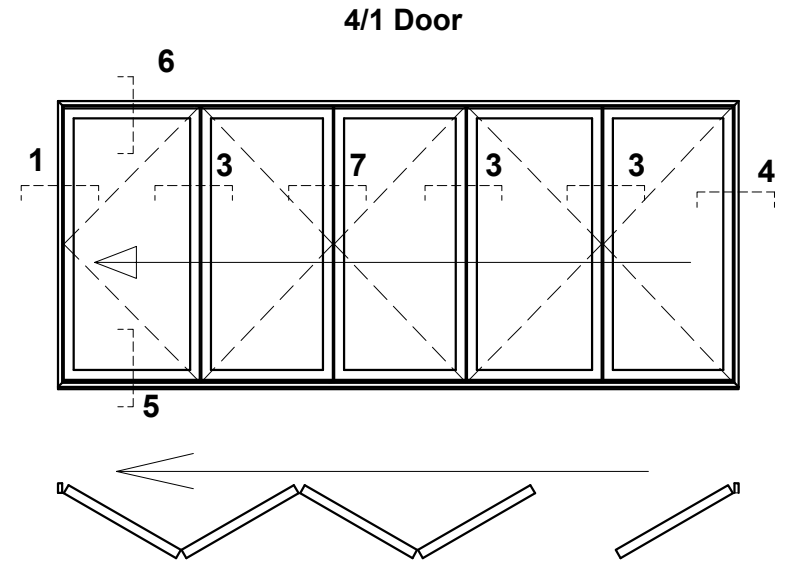
GLASS SIZES	W/5 - 133
5 X	H - 181

IMPORTANT NOTE:

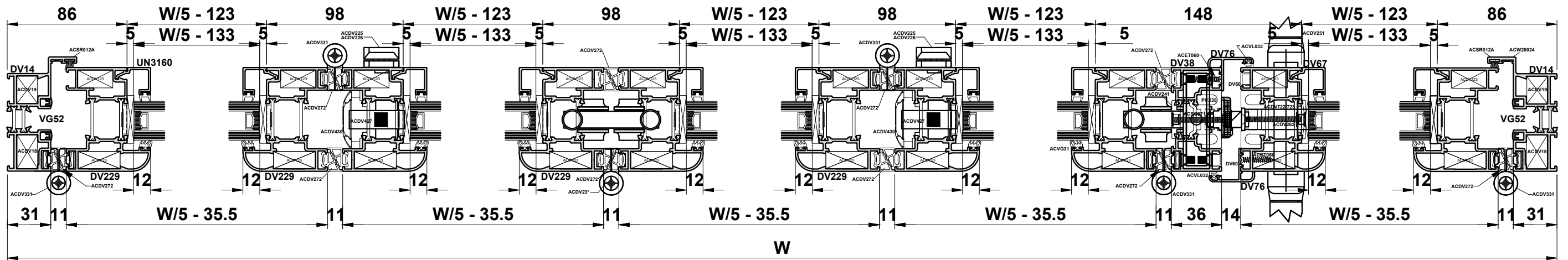
- When using DV220 or DV221 Slim Sash please take the following into account: DV220 & DV221 width and height deductions remain the same as standard sashes.
- Beads, Glazing and Glazing Gaskets will need to increase by 10mm (Example: H-205 will change to H-195).
- ACDV123 or ACDV29 Cleats must be used.
- Use DV177 Rebate Adapter on exterior (Example: Interior = DV76 & Exterior = DV177)
- Use PCX38 in place of PCX36
- Use handles suitable for DV220 / DV221 refer to Section B for compatible options
- Please refer to Lock Table in section E

ACCESSORIES

ACDV18	4	CLEAT FOR DV14
ACDV19	4	CLEAT FOR DV14
ACDV23	20	CLEAT FOR DV228 & DV229
ACDV123	20	CLEAT FOR DV228 & DV229
ACDV080	1	RUN UP BLOCK
ACDV225 or 226	2	SHOOTBOLT HANDLE
ACDV427	2	SHOOTBOLT GEARBOX
ACDV328	2 (PAIR)	SHOOTBOLT ROD
ACDV229	2 (PAIR)	SHOOTBOLT GUIDE
ACDV430	2	SHOOTBOLT COVER
ACDV331	22	INTERMEDIATE HINGE
ACDV232	1	BOTTOM ROLLER HINGE
ACDV234	2	D-HANDLE/HINGE
ACDV241	11	FIXING BLOCK FOR LOCK
ACDV251	1 (PAIR)	LEVER HANDLES
ACDV258 (SL)	1	50/50 CYLINDER
ACDV262	11	SCREW FOR LOCK
ACDV264	11	SCREW FOR KEEPS
ACDV272	4 x (W-62) + 20 x (H-62)	SEALING GASKET (cut to fit)
ACDV275	5	CORNER MOULDS
ACDV380	1	DV32 BOTTOM ROLLER
ACDV381	1	DV32 TOP GUIDE
ACDV282	4	WOOLPILE CARRIER
ACDV76	2 (PAIR)	END CAP FOR DV76
ACDV722/23	1	MULTI-POINT LOCK
ACET060	62	SCREW FOR DV76
ACET133	4	SCREW FOR ACDV225/6
ACMX01604 (SL)	2	HALF CYLINDER
ACDV523	11	FIXING BLOCK FOR KEEPS
ACSR012A	2 x (W-90) + 2 x (H-90)	WOOLPILE
ACSR012A	4 x 47mm	WOOLPILE FOR ACDV282
ACVG31	10 x (W/5-132) + 10 x (H-181)	EXTERNAL GLAZING GASKET
ACVG34	10 x (W/5-132) + 10 x (H-181)	INTERNAL GLAZING GASKET
ACVL032	1 x (H-84)	DV76 FLIPPER GASKET
ACW20024	4	CHEVRON FOR DV14
ACET131	4	DRAIN HOLE COVERS
ACDV295	1 PER SASH FRAME	GLASS ADJUSTER KIT (IF SASH IS OVER 900mm WIDE)
ACDV385	1	FLOATING MULLION GUIDE

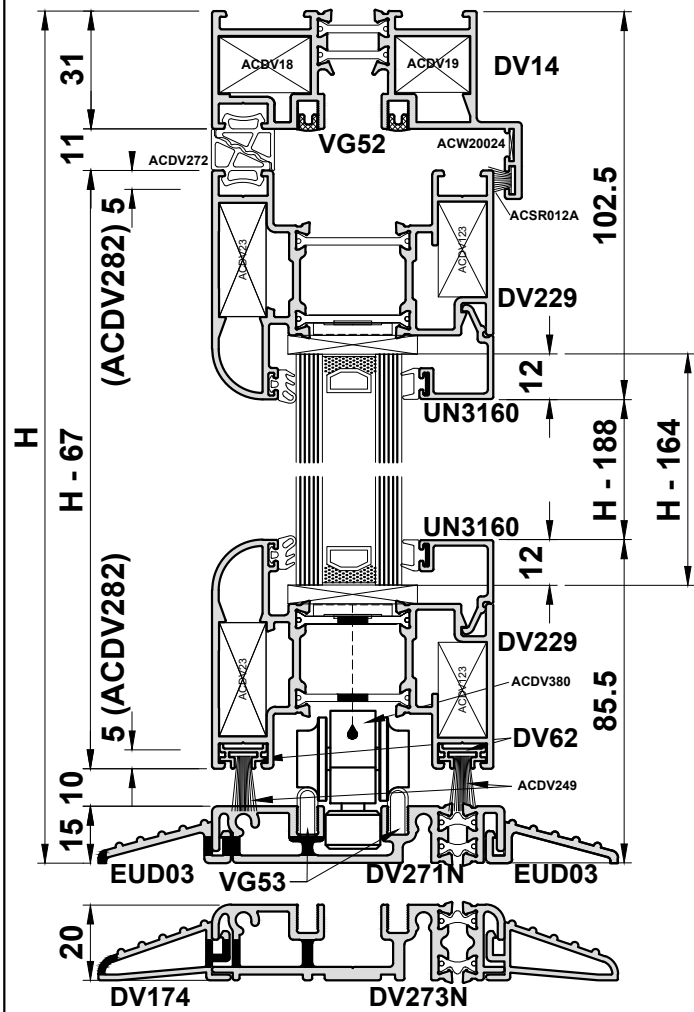


IMPORTANT NOTE:
Min. Sash Width 700mm / Max. Sash Width 1200mm
Max. Sash Weight 100kg
Max. Sash Height 2500mm Dependant On Site Conditions
Always Measure In the Last Vent.



Do Not Scale From This Drawing

Cutting Information



PROFILE CUTTING SCHEDULE

DV14	1		W
DV14	2		H
DV271N	1		W-66
EUD03	1		W-66
EUD03	1		W-103
DV23	10		W/5-35
DV23	10		H-67
DV38	1		H-77
DV60	4		H-46
DV62	2		W/5-41.5
DV62	8		W/5-48.5
Glazing Bead	10		W/5-122
Glazing Bead	10		H-188
DV76	2		H-67
VG52	2		W-62
VG52	4		H-46
VG53	2		W-62
PCX38	2		H-67

PROFILE CUTTING SCHEDULE (DV273)

DV273N	1		W-66
DV174	1		W-66
DV174	1		W-103
DV23	10		H-72
DV38	1		H-82
Glazing Bead	10		H-193
DV76	2		H-72
PCX38	2		H-72

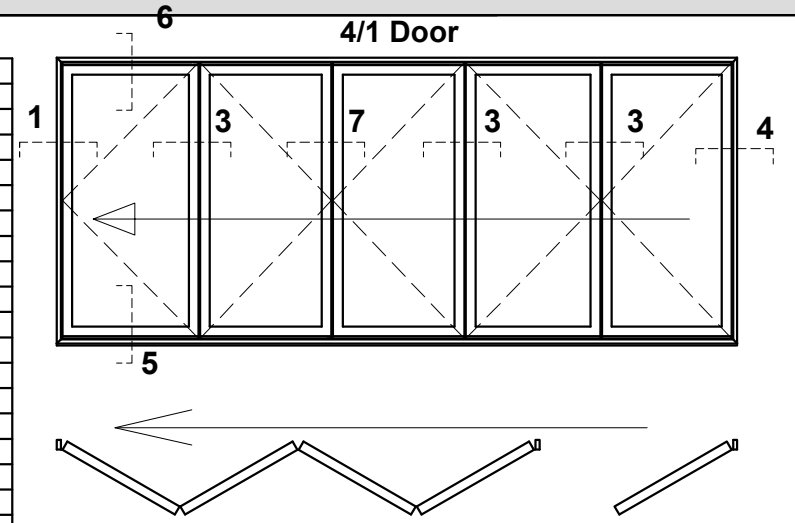
Note: PCX15 required for leaf heights over 2285mm.

GLASS DEDUCTIONS

DV271N	5 x	W/5 - 133	H - 164
DV273N	5 x	W/5 - 133	H - 169

ACCESSORIES

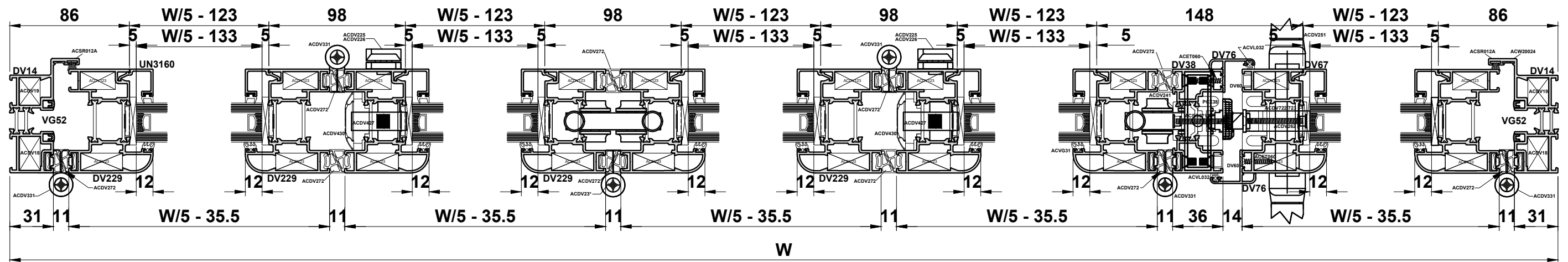
ACDV18	4	CLEAT FOR DV14
ACDV19	4	CLEAT FOR DV14
ACDV23	20	CLEAT FOR DV228 & DV229
ACDV123	20	CLEAT FOR DV228 & DV229
ACDV271N/173N	2	THRESHOLD ENDCAP
ACDV225 or 226	2	SHOOTBOLT HANDLE
ACDV427	2	SHOOTBOLT GEARBOX
ACDV328	2 (PAIR)	SHOOTBOLT ROD
ACDV229	2 (PAIR)	SHOOTBOLT GUIDE
ACDV430	2	SHOOTBOLT COVER
ACDV331	22	INTERMEDIATE HINGE
ACDV232	1	BOTTOM ROLLER HINGE
ACDV233	1	TOP GUIDE HINGE
ACDV234	2	D-HANDLE/HINGE
ACDV241	11	FIXING BLOCK FOR LOCK
ACDV249	10 x (W/5-26)	WOOLPILE
ACDV249	2 x 47mm	WOOLPILE FOR ACDV282
ACDV251	1 (PAIR)	LEVER HANDLES
ACDV254	10 (PAIRS)	INFILL BLOCK
ACDV258 (SL)	1	50/50 CYLINDER
ACDV262	11	SCREW FOR LOCK
ACDV264	11	SCREW FOR KEEPS
ACDV272	2 x (W-62) + 20 x (H-46)	SEALING GASKET (cut to fit)
ACDV275	5	CORNER MOULDS
ACDV380	1	DV32 BOTTOM ROLLER
ACDV381	1	DV32 TOP GUIDE
ACDV282	4	WOOLPILE CARRIER
ACDV76	2 (PAIR)	END CAP FOR DV76
ACDV722/23	1	MULTI-POINT LOCK
ACDR052	4	SCREWS FOR THRESHOLD
ACET060	62	SCREW FOR DV76
ACET133	4	SCREW FOR ACDV225/6
ACMX01604 (SL)	2	HALF CYLINDER
ACDV523	11	FIXING BLOCK FOR KEEPS
ACSR012A	1 x (W-90) + 2 x (H-65)	WOOLPILE
ACSR012A	2 x 47mm	WOOLPILE FOR ACDV282
ACVG31	10 x (W/5-123) + 10 x (H-164)	EXTERNAL GLAZING GASKET
ACVG34	10 x (W/5-123) + 10 x (H-164)	INTERNAL GLAZING GASKET
ACVL032	1 x (H-67)	DV76 FLIPPER GASKET
ACW20024	4	CHEVRON FOR DV14
ACDV292	1	BRUSH PILE CARRIER
ACDV295	1 PER SASH FRAME	GLASS ADJUSTER KIT
ACDV385	1	FLOATING MULLION GUIDE



IMPORTANT NOTE:
Min. Sash Width 700mm / Max. Sash Width 1200mm
Max. Sash Weight 100kg
Max. Sash Height 2500mm Dependant On Site Conditions
Always Measure In the Last Vent.

IMPORTANT NOTE:

- When using DV220 or DV221 Slim Sash please take the following into account:
- DV220 & DV221 width and height deductions remain the same as standard sashes.
- Beads, Glazing and Glazing Gaskets will need to increase by 10mm (Example: H-205 will change to H-195).
- ACDV123 or ACDV29 Cleats must be used.
- Use DV177 Rebate Adapter on exterior (Example: Interior = DV76 & Exterior = DV177)
- Use PCX38 in place of PCX36
- Use handles suitable for DV220 / DV221 refer to Section B for compatible options
- Please refer to Lock Table in section E



Do Not Scale From This Drawing

Cutting Information

Do Not Scale From This Drawing

Cutting Information

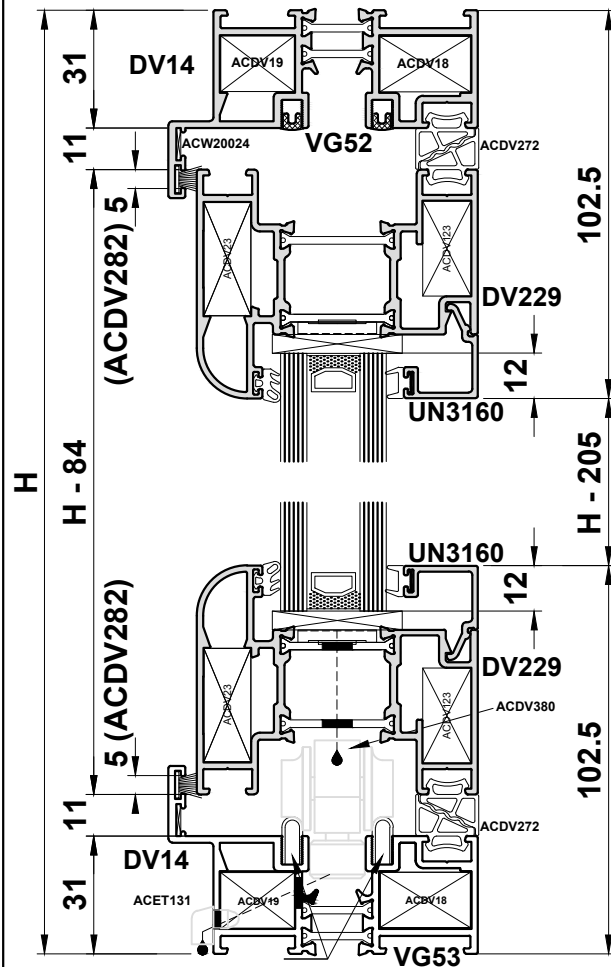
Sawing Tables

Open In

- F30 - Type 1i With Rebated Threshold
- F31 - Type 1i With Low Threshold
- F32 - Type 2i With Standard Threshold
- F33 - Type 2i With Low Threshold
- F34 - Type 3i With Standard Threshold
- F35 - Type 3i With Low Threshold
- F36 - Type 4i With Standard Threshold
- F37 - Type 4i With Low Threshold
- F38 - Type 5i With Standard Threshold
- F39 - Type 5i With Low Threshold
- F40 - Type 6i With Standard Threshold
- F41 - Type 6i With Low Threshold
- F42 - Type 7i With Standard Threshold
- F43 - Type 7i With Low Threshold
- F44 - Single Door With Standard Threshold
- F45 - Single Door With Low Threshold
- F46 - Double Swing Door Standard Threshold
- F47 - Double Swing Door Low Threshold
- F48 - Double Slide Door With Standard Threshold
- F49 - Double Slide Door With Low Threshold
- F50 - 3/2 Door Standard Threshold
- F51 - 3/2 Door Low Threshold
- F52 - 4/1 Door Standard Threshold
- F53 - 4/1 Door Low Threshold

Do Not Scale From This Drawing

Cutting Information



PROFILE CUTTING SCHEDULE

DV14		2		W
DV14		2		H
DV229		6		W/3-52
DV229		6		H-84
DV38		1		H-94
DV60		4		H-84
DV76		2		H-84
Glazing Bead		6		W/3-138.5
Glazing Bead		6		H-205
VG52		2		W-62
VG52		4		H-62
VG53		2		W-62
PCX38		2		H-84

Note: PCX15 required for leaf heights over 2285mm.

GLASS SIZES	3 X	W/3 - 149.5
		H - 181

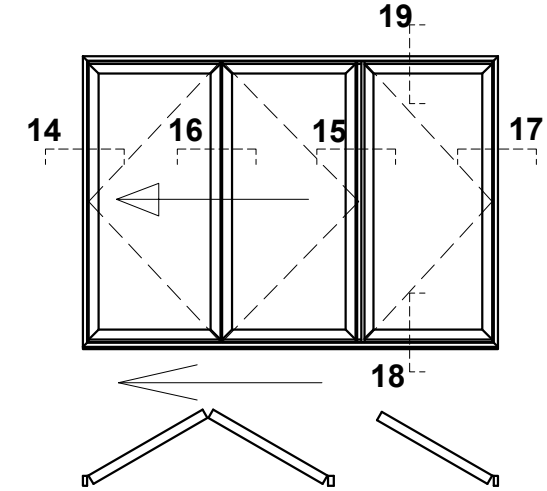
IMPORTANT NOTE:

Min. Sash Width 700mm / Max. Sash Width 1200mm
Max. Sash Weight 100kg
Max. Sash Height 2500mm Dependant On Site Conditions
Always Measure In the Last Vent.

ACCESSORIES

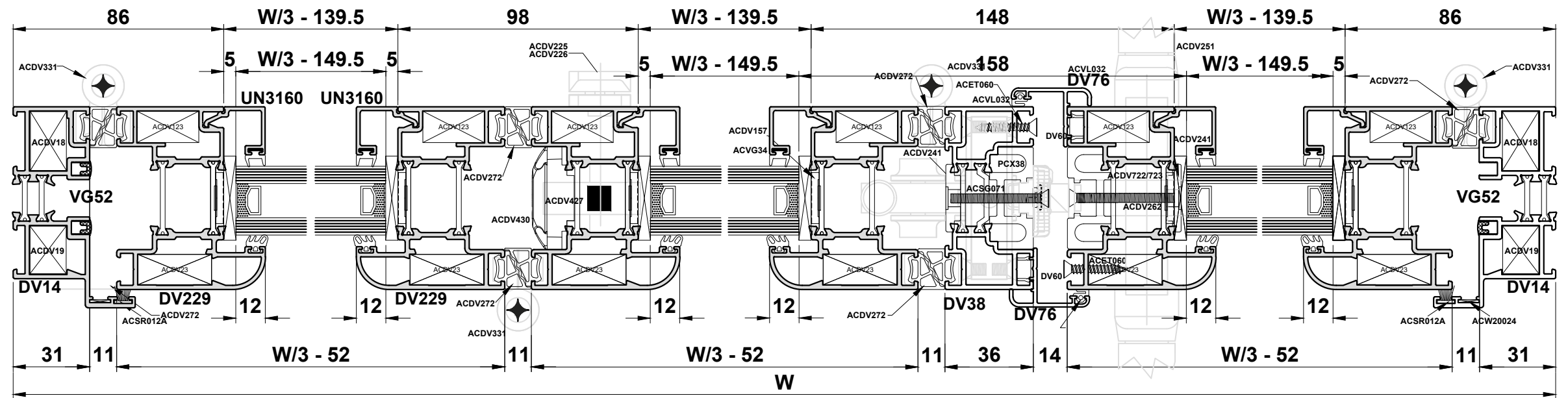
ACDV18	4	CLEAT FOR DV14
ACDV19	4	CLEAT FOR DV14
ACDV23	12	CLEAT FOR DV228 & DV229
ACDV123	12	CLEAT FOR DV228 & DV229
ACDV080	1	RUN UP BLOCK
ACDV225 or 226	1	SHOOTBOLT HANDLE
ACDV427	1	SHOOTBOLT GEARBOX
ACDV328	1 (PAIR)	SHOOTBOLT ROD
ACDV229	1 (PAIR)	SHOOTBOLT GUIDE
ACDV430	1	SHOOTBOLT COVER
ACDV331	16	INTERMEDIATE HINGE
ACDV274	1	D-HANDLE
ACDV241	22	FIXING BLOCK FOR LOCK & KEEPS
ACDV251	1 (PAIR)	LEVER HANDLES
ACDV258 (SL)	1	50/50 CYLINDER
ACDV262	22	SCREW FOR LOCK & KEEPS
ACDV272	4 x (W-62) 12 x (H-62)	SEALING GASKET (cut to fit)
ACDV275	3	CORNER MOULDS
ACDV380	1	DV32 BOTTOM ROLLER
ACDV381	1	DV32 TOP GUIDE
ACDV282	4	WOOLPILE CARRIER
ACDV76	2 (PAIRS)	END CAP FOR DV76
ACDV72/23	1	MULTI-POINT LOCK
ACET060	24	SCREW FOR DV76 & ACDV282
ACET133	2	SCREW FOR ACDV225/6
ACET131	2	DRAIN HOLE COVER
ACMX01604 (SL)	1	HALF CYLINDER
ACVG31	6 x (W/3-149) + 6 x (H-181)	EXTERNAL GLAZING GASKET
ACVG34	6 x (W/3-149) + 6 x (H-181)	INTERNAL GLAZING GASKET
ACVL032	2 x (H-84)	DV76 FLIPPER GASKET
ACSR012A	2 x (W-90) + 2 x (H-90)	WOOLPILE
ACSR012A	4 x 47mm	WOOLPILE FOR ENDCAPS
ACW20024	4	CHEVRON FOR DV14
ACDV295	1 PER SASH FRAME	GLASS ADJUSTER KIT
ACDV385	1	FLOATING MULLION GUIDE

Type 1i



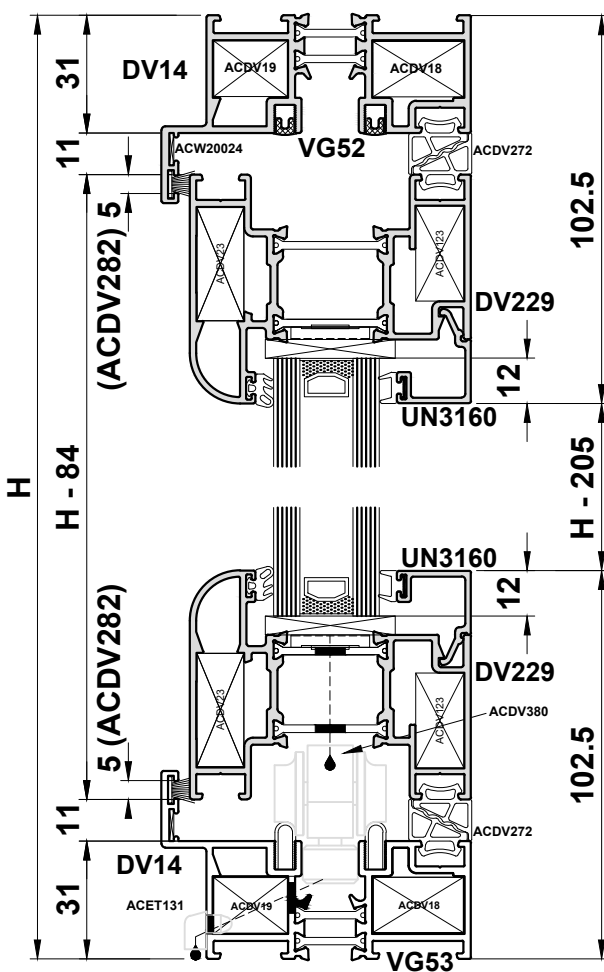
IMPORTANT NOTE:

- When using DV220 or DV221 Slim Sash please take the following into account: DV220 & DV221 width and height deductions remain the same as standard sashes.
- Beads, Glazing and Glazing Gaskets will need to increase by 10mm (Example: H-205 will change to H-195).
- ACDV123 or ACDV29 Cleats must be used.
- Use DV177 Rebate Adapter on exterior (Example: Interior = DV76 & Exterior = DV177)
- Use PCX38 in place of PCX38
- Use handles suitable for DV220 / DV221 refer to Section B for compatible options
- Please refer to Lock Table in section E



Do Not Scale From This Drawing

Cutting Information



PROFILE CUTTING SCHEDULE

DV14		2		W
DV14		2		H
DV229		6		W/3-36.5
DV229		6		H-84
DV76		1		H-84
Glazing Bead		6		W/3-124
Glazing Bead		6		H-205
DV60		2		H-84
DV60		1		H-62
VG52		2		W-62
VG52		4		H-62
VG53		2		W-62
PCX38		1		H-84

Note: PCX15 required for leaf heights over 2285mm.

GLASS SIZES	W/3 - 134
3 X	H - 181

FOR ENHANCED WEATHER PERFORMANCE REPLACE ACDV244N FLIPPER GASKET WITH ACDV268 BUBBLE GASKET

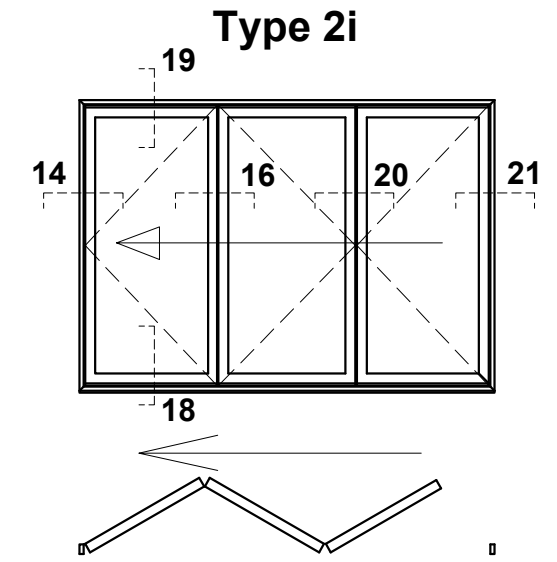
IMPORTANT NOTE:

Min. Sash Width 700mm / Max. Sash Width 1200mm
Max. Sash Weight 100kg
Max. Sash Height 2500mm Dependant On Site Conditions
Always Measure In the Last Vent.

ACCESSORIES

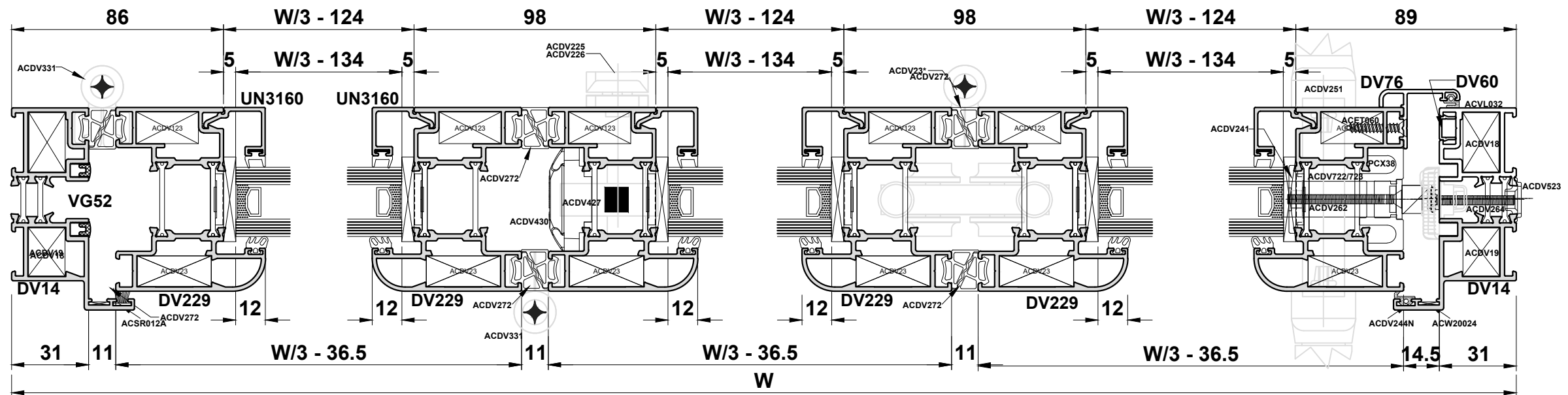
ACDV18	4	CLEAT FOR DV14
ACDV19	4	CLEAT FOR DV14
ACDV23	12	CLEAT FOR DV228 & DV229
ACDV123	12	CLEAT FOR DV228 & DV229
ACDV080	1	RUN UP BLOCK
ACDV225 or 226	1	SHOOTBOLT HANDLE
ACDV427	1	SHOOTBOLT GEARBOX
ACDV328	1 (PAIR)	SHOOTBOLT ROD
ACDV229	1 (PAIR)	SHOOTBOLT GUIDE
ACDV430	1	SHOOTBOLT COVER
ACDV331	10	INTERMEDIATE HINGE
ACDV232	1	BOTTOM ROLLER HINGE
ACDV233	1	TOP GUIDE HINGE
ACDV274	1	D-HANDLE/HINGE
ACDV241	11	FIXING BLOCK FOR LOCK
ACDV244N	2 x (W-90) + 2 x (H-90)	FLIPPER GASKET
ACDV251	1 (PAIR)	LEVER HANDLES
ACDV258 (SL)	1	50/50 CYLINDER
ACDV262	11	SCREW FOR LOCK
ACDV264	11	SCREW FOR KEEPS
ACDV272	4 x (W-62) 10 x (H-62)	SEALING GASKET (cut to fit)
ACDV275	3	CORNER MOULDS
ACDV76	1 (PAIR)	END CAP FOR DV76
ACDV722/23	1	MULTI-POINT LOCK
ACET060	11	SCREW FOR DV76
ACET133	2	SCREW FOR ACDV225/6
ACET131	2	DRAIN HOLE COVER
ACMX01604 (SL)	1	HALF CYLINDER
ACDV523	11	FIXING BLOCK FOR KEEPS
ACVG31	6 x (W/3-133) + 6 x (H-181)	EXTERNAL GLAZING GASKET
ACVG34	6 x (W/3-133) + 6 x (H-181)	INTERNAL GLAZING GASKET
ACVL032	1 x (H-84)	DV76 FLIPPER GASKET
ACW20024	4	CHEVRON FOR DV14
ACDV295	1 PER SASH FRAME	GLASS ADJUSTER KIT
ACSR012A	2 x (W-90) 2 x (H-90)	WOOLPILE
ACDV308	1	MAGNETIC CATCH

+ Optional: 1 x ACDV396 Shootbolt Keep if Sash is over 2300mm high



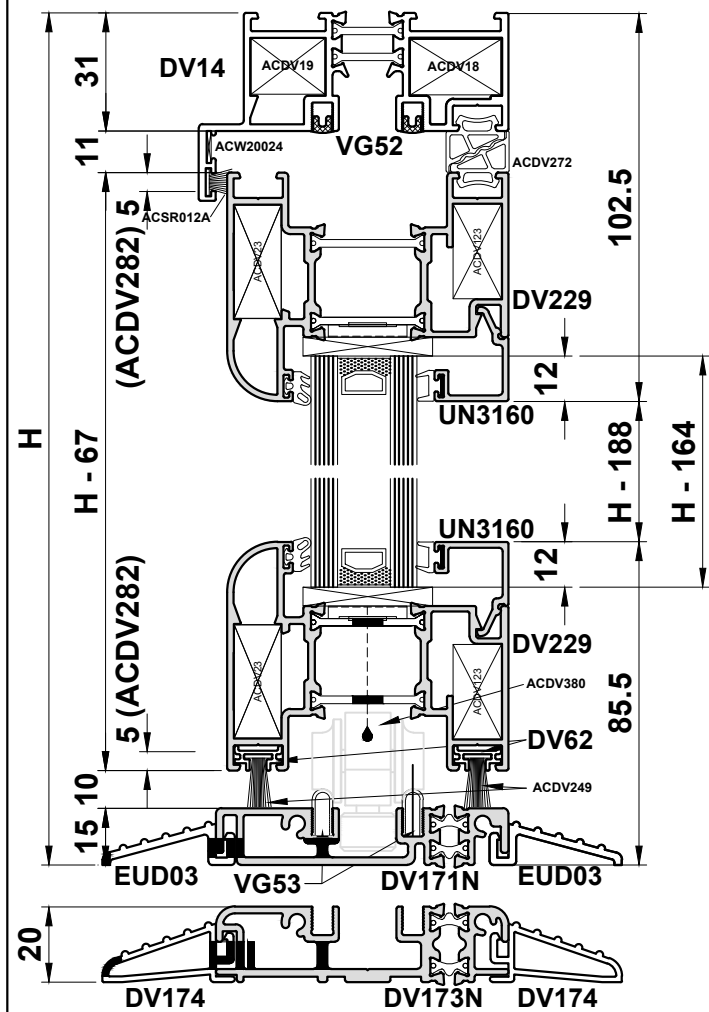
IMPORTANT NOTE:

- When using DV220 or DV221 Slim Sash please take the following into account:
- DV220 & DV221 width and height deductions remain the same as standard sashes.
- Beads, Glazing and Glazing Gaskets will need to increase by 10mm (Example: H-205 will change to H-195).
- ACDV123 or ACDV29 Cleats must be used.
- Use DV177 Rebate Adapter on exterior (Example: Interior = DV76 & Exterior = DV177)
- Use PCX38 in place of PCX38
- Use handles suitable for DV220 / DV221 refer to Section B for compatible options
- Please refer to Lock Table in section E



Do Not Scale From This Drawing

Cutting Information



PROFILE CUTTING SCHEDULE

DV14		1		W
DV14		2		H
DV171N		1		W-66
EUD03		1		W-66
EUD03		1		W-103
DV229		6		W/3-36.5
DV229		6		H-67
DV60		2		H-67
DV60		1		H-51
DV62		3		W/3-43
DV62		3		W/3-49.5
Glazing Bead		6		W/3-124
Glazing Bead		6		H-188
DV76		1		H-67
VG52		2		W-62
VG52		4		H-46
VG53		2		W-62
PCX38		1		H-67

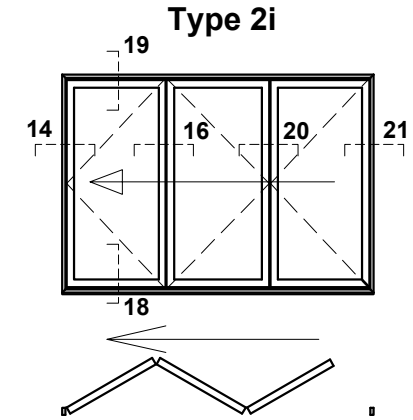
PROFILE CUTTING SCHEDULE (DV173N)

DV173N		1		W-66
DV174		1		W-66
DV174		1		W-103
DV229		8		H-72
DV60		3		H-51
DV76		1		H-72
Glazing Bead		6		H-193
PCX38		1		H-72

Note: PCX15 required for leaf heights over 2285mm.

ACCESSORIES

ACDV18	2	CLEAT FOR DV14
ACDV19	2	CLEAT FOR DV14
ACDV23	12	CLEAT FOR DV228 & DV229
ACDV123	12	CLEAT FOR DV228 & DV229
ACDV171/173	2	THRESHOLD ENDCAP
ACDV225 or 226	1	SHOOTBOLT HANDLE
ACDV427	1	SHOOTBOLT GEARBOX
ACDV328	1 (PAIR)	SHOOTBOLT ROD
ACDV229	1 (PAIR)	SHOOTBOLT GUIDE
ACDV430	1	SHOOTBOLT COVER
ACDV331	10	INTERMEDIATE HINGE
ACDV232	1	BOTTOM ROLLER HINGE
ACDV233	1	TOP GUIDE HINGE
ACDV241	11	FIXING BLOCK FOR LOCK
ACDV244N	1 x (W-90) + 2 x (H-65)	FLIPPER GASKET
ACDV249	6 x (W/3-63)	WOOLPILE
ACDV251	1 (PAIR)	LEVER HANDLES
ACDV252	1	STRIKE PLATE
ACDV254	6 (PAIRS)	INFILL BLOCK
ACDV258 (SL)	1	50/50 CYLINDER
ACDV262	11	SCREW FOR LOCK
ACDV264	11	SCREW FOR KEEPS
ACDV272	2 x (W-62) 10 x (H-51)	SEALING GASKET
ACDV274	1	D-HANDLE/HINGE
ACDV275	3	CORNER MOULDS
ACDV76	1 (PAIR)	END CAP FOR DV76
ACDV722/23	1	MULTI-POINT LOCK
ACDR052	4	SCREWS FOR THRESHOLD
ACET060	41	SCREW FOR DV76 & ACDV252
ACET133	2	SCREW FOR ACDV225/6
ACMX01604 (SL)	1	HALF CYLINDER
ACDV523	11	FIXING BLOCK FOR KEEPS
ACVG31	6 x (W/3-133) + 6 x (H-181)	EXTERNAL GLAZING GASKET
ACVG34	6 x (W/3-133) + 6 x (H-181)	INTERNAL GLAZING GASKET
ACVL032	1 x (H-84)	DV76 FLIPPER GASKET
ACW20024	2	CHEVRON FOR DV14
ACDV295	1 PER SASH FRAME	GLASS ADJUSTER KIT
ACSR012A	1 x (W-90) 2 x (H-55)	WOOLPILE



IMPORTANT NOTE:

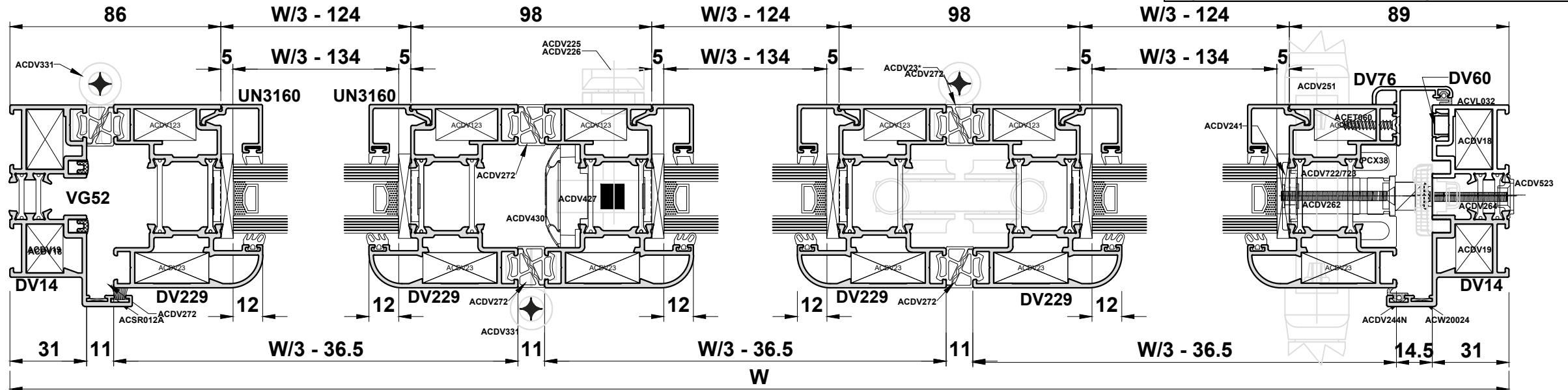
Min. Sash Width 700mm / Max. Sash Width 1200mm
 Max. Sash Weight 100kg
 Max. Sash Height 2500mm Dependant On Site Conditions
 Always Measure In the Last Vent.

GLASS DEDUCTIONS

DV171N	3 x	W/3 - 134	H - 164
DV173N	3 x	W/3 - 134	H - 169

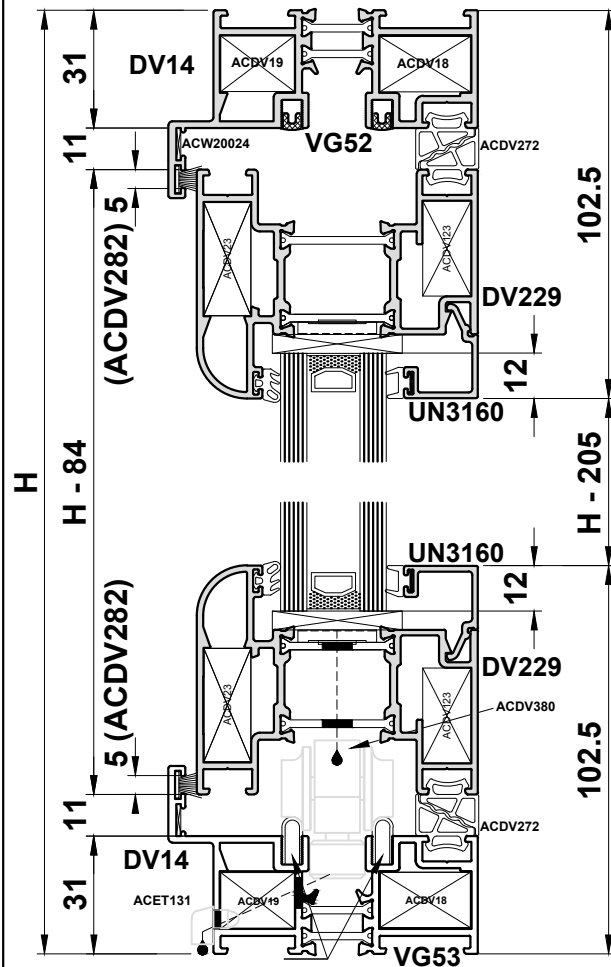
FOR ENHANCED WEATHER PERFORMANCE REPLACE ACDV244N FLIPPER GASKET WITH ACDV268 BUBBLE GASKET

ACDV308	1	MAGNETIC CATCH
+ Optional: 1 x ACDV396 Shootbolt Keep if Sash is over 2300mm high		



Do Not Scale From This Drawing

Cutting Information



PROFILE CUTTING SCHEDULE

DV14		2		W
DV14		2		H
DV229		8		W/4 - 41
DV229		8		H-84
DV32		1		H-94
DV56		1		H-84
DV60		2		H-84
DV60		1		H-62
Glazing Bead		8		W/4 - 128.5
Glazing Bead		8		H-205
VG52		2		W-62
VG52		4		H-62
VG53		2		W-62

GLASS SIZES	
4 X	W/4 - 138.5
	H - 181

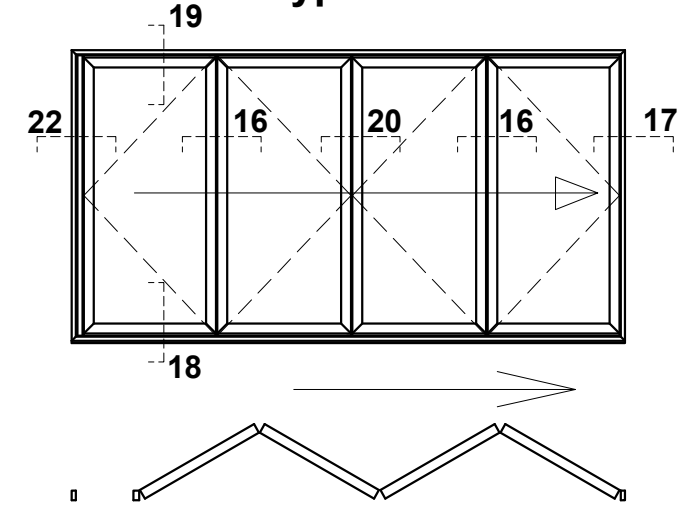
IMPORTANT NOTE:

- When using DV220 or DV221 Slim Sash please take the following into account:
- DV220 & DV221 width and height deductions remain the same as standard sashes.
- Beads, Glazing and Glazing Gaskets will need to increase by 10mm (Example: H-205 will change to H-195).
- ACDV123 or ACDV29 Cleats must be used.
- Use DV177 Rebate Adapter on exterior (Example: Interior = DV76 & Exterior = DV177)
- Use PCX38 in place of PCX38
- Use handles suitable for DV220 / DV221 refer to Section B for compatible options
- Please refer to Lock Table in section E

ACCESSORIES

ACDV18	4	CLEAT FOR DV14
ACDV19	4	CLEAT FOR DV14
ACDV23	16	CLEAT FOR DV228 & DV229
ACDV123	16	CLEAT FOR DV228 & DV229
ACDV225 or 226	2	SHOOTBOLT HANDLE
ACDV427	2	SHOOTBOLT GEARBOX
ACDV328	2 (PAIRS)	SHOOTBOLT ROD
ACDV229	2 (PAIRS)	SHOOTBOLT GUIDE
ACDV430	2	SHOOTBOLT COVER
ACDV331	18	INTERMEDIATE HINGE
ACDV232	1	BOTTOM ROLLER HINGE
ACDV233	1	TOP GUIDE HINGE
ACDV274	2	D-HANDLE
ACDV272	4 x (W-62) 18 x (H-62)	SEALING GASKET (cut to fit)
ACDV275	4	CORNER MOULDS
ACDV380	1	DV32 BOTTOM ROLLER
ACDV381	1	DV32 TOP GUIDE
ACDV282	4	WOOLPILE CARRIER
ACDV56	1 (PAIR)	END CAP FOR DV56
ACET060	27	SCREW FOR DV56 & ACDV282
ACET133	4	SCREW FOR ACDV225/6
ACET131	2	DRAIN HOLE COVER
ACMX01604 (SL)	2	HALF CYLINDER
ACSR012A	2 x (W-90) + 2 x (H-90)	WOOLPILE
ACSR012A	4 x 47mm	WOOLPILE FOR ACDV282
ACVG31	8 x (W/4-139) + 8 x (H-181)	EXTERNAL GLAZING GASKET
ACVG34	8 x (W/4-139) + 8 x (H-181)	INTERNAL GLAZING GASKET
ACVL032	1 x (H-84)	DV56 FLIPPER GASKET
ACW20024	4	CHEVRON FOR DV14
ACDV295	1 PER SASH FRAME	GLASS ADJUSTER KIT
ACDV385	1	FLOATING MULLION GUIDE

Type 3i

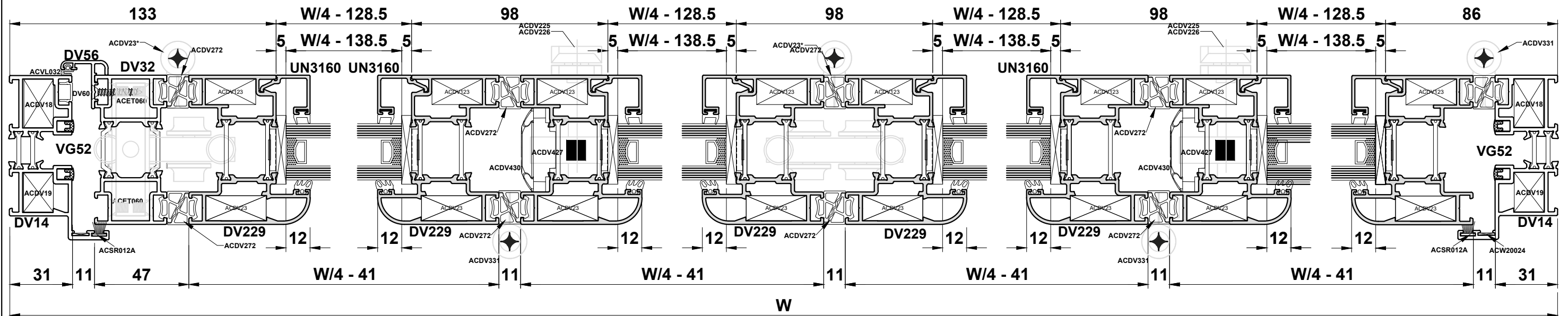


NOTE:

Design Type 3e does not offer external access or an individual traffic door.

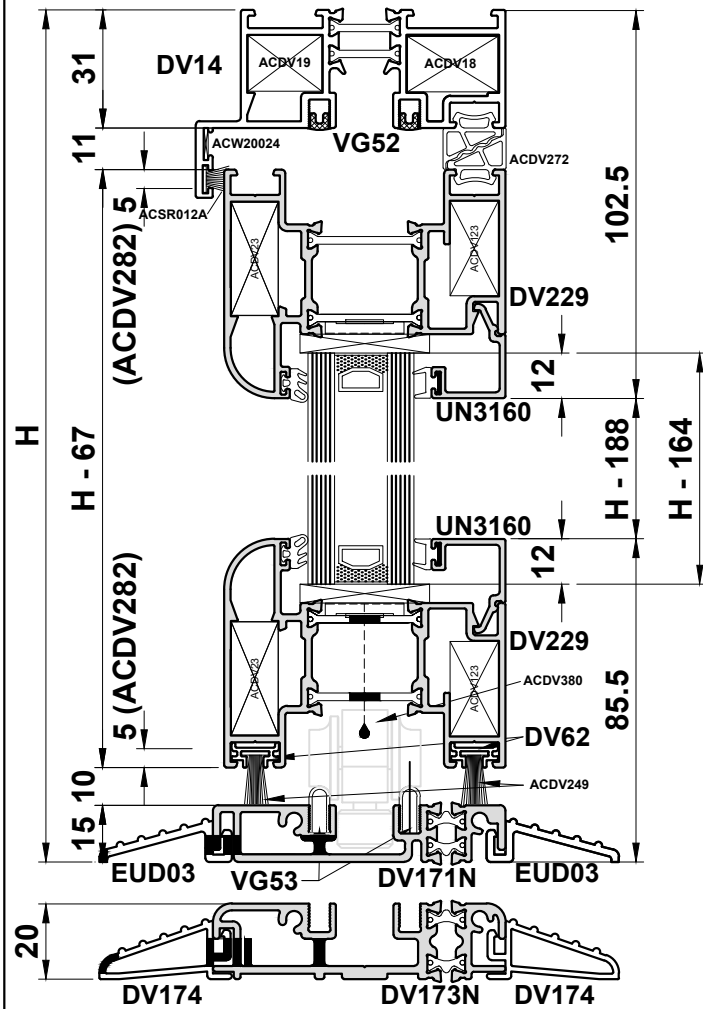
IMPORTANT NOTE:

Min. Sash Width 700mm / Max. Sash Width 1200mm
Max. Sash Weight 100kg
Max. Sash Height 2500mm Dependant On Site Conditions
Always Measure In the Last Vent.



Do Not Scale From This Drawing

Cutting Information



PROFILE CUTTING SCHEDULE

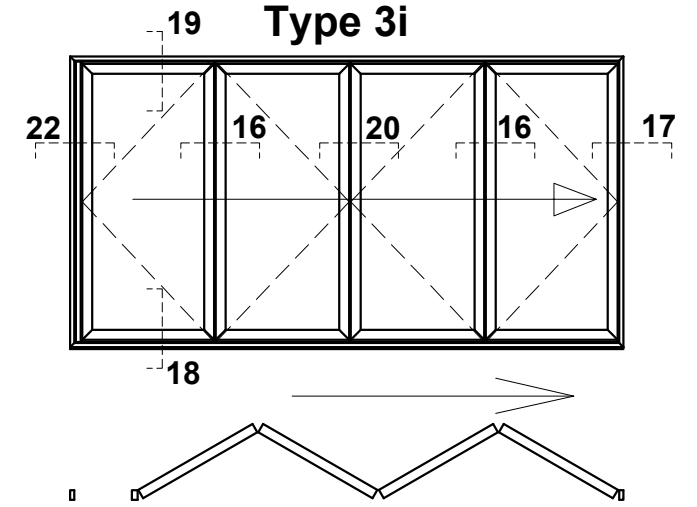
DV14		1		W
DV14		2		H
DV171N		1		W-66
EUD03		1		W-66
EUD03		1		W-103
DV229		8		W/4-41
DV229		8		H-67
DV32		1		H-78
DV56		1		H-67
DV60		2		H-67
DV60		1		H-51
DV62		1		W/4-55
DV62		7		W/4-69
Glazing Bead		8		W/4-117
Glazing Bead		8		H-188
VG52		2		W-62
VG52		4		H-46
VG53		2		W-62

PROFILE CUTTING SCHEDULE (DV173N)

DV173N		1		W-66
DV174		1		W-66
DV174		1		W-103
DV229		8		H-72
DV32		1		H-83
DV56		1		H-72
DV60		3		H-51
Glazing Bead		8		H-193

ACCESSORIES

ACDV18	2	CLEAT FOR DV14
ACDV19	2	CLEAT FOR DV14
ACDV23	16	CLEAT FOR DV228 & DV229
ACDV123	16	CLEAT FOR DV228 & DV229
ACDV171/173	2	THRESHOLD ENDCAP
ACDV225 or 226	2	SHOOTBOLT HANDLE
ACDV427	2	SHOOTBOLT GEARBOX
ACDV328	2 (PAIRS)	SHOOTBOLT ROD
ACDV229	2 (PAIRS)	SHOOTBOLT GUIDE
ACDV430	2	SHOOTBOLT COVER
ACDV331	18	INTERMEDIATE HINGE
ACDV232	1	BOTTOM ROLLER HINGE
ACDV233	1	TOP GUIDE HINGE
ACDV274	2	D-HANDLE
ACDV249	8 x (W/4-41) + 2 x (42)	WOOLPILE
ACDV254	8 (PAIRS)	INFILL BLOCK
ACDV272	2 x (W-62) 18 x (H-51)	SEALING GASKET (cut to fit)
ACDV275	4	CORNER MOULDS
ACDV380	1	DV32 BOTTOM ROLLER
ACDV381	1	DV32 TOP GUIDE
ACDV282	4	WOOLPILE CARRIER
ACDV56	1 (PAIR)	END CAP FOR DV56
ACDR052	4	SCREWS FOR THRESHOLD
ACET060	74	SCREW FOR DV56 & HINGE
ACET133	4	SCREW FOR ACDV225/6
ACMX01604 (SL)	2	HALF CYLINDER
ACSR012A	1 x (W-90) + 2 x (H-55)	WOOLPILE
ACSR012A	2 x 47mm	WOOLPILE FOR ACDV282
ACDV249	2 x 47mm	WOOLPILE FOR ACDV282
ACVG31	8 x (W/4-139) + 8 x (H-164)	EXTERNAL GLAZING GASKET
ACVG34	8 x (W/4-139) + 8 x (H-164)	INTERNAL GLAZING GASKET
ACVL032	1 x (H-84)	DV56 FLIPPER GASKET
ACW20024	2	CHEVRON FOR DV14
ACDV295	1 PER SASH FRAME	GLASS ADJUSTER KIT
ACDV385	1	FLOATING MULLION GUIDE

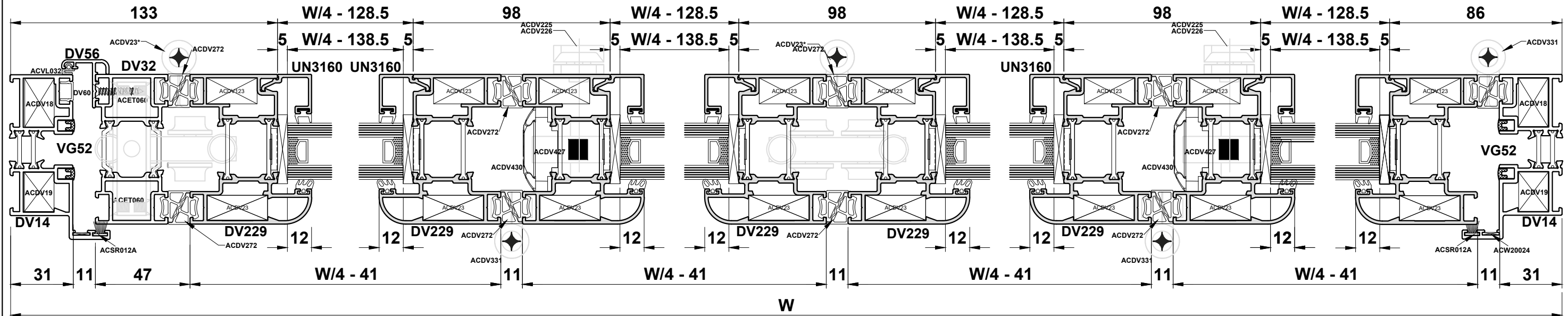


NOTE:
Design Type 3e does not offer external access or an individual traffic door.

IMPORTANT NOTE:
Min. Sash Width 700mm / Max. Sash Width 1200mm
Max. Sash Weight 100kg
Max. Sash Height 2500mm Dependant On Site Conditions
Always Measure In the Last Vent.

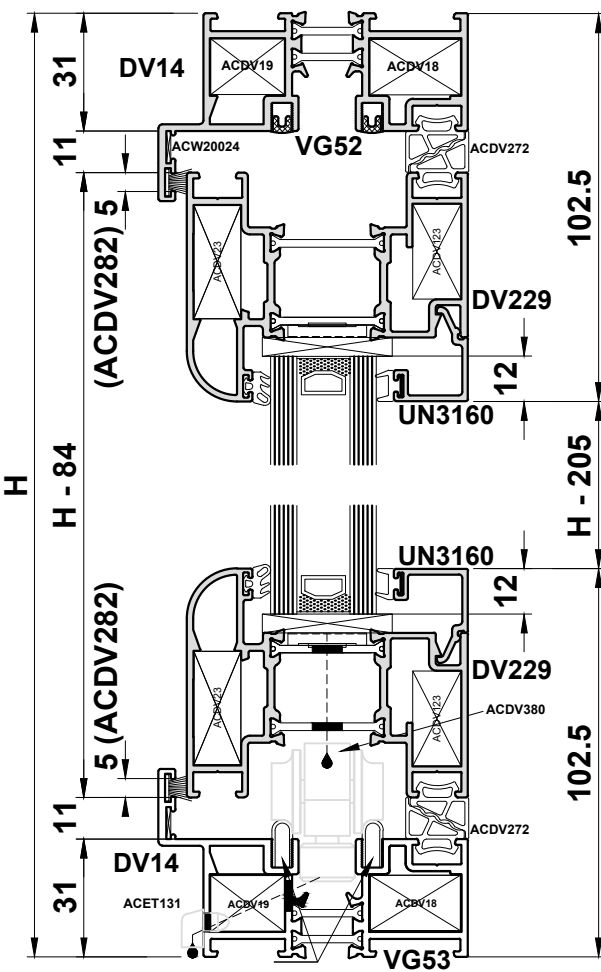
GLASS DEDUCTIONS

DV171N	4 x	W/4 - 138.5	H - 164
DV173N	4 x	W/4 - 138.5	H - 169



Do Not Scale From This Drawing

Cutting Information



PROFILE CUTTING SCHEDULE

DV14	[Profile]	2	[Profile]	W
DV14	[Profile]	2	[Profile]	H
DV229	[Profile]	8	[Profile]	W/4 - 32
DV229	[Profile]	8	[Profile]	H-84
DV60	[Profile]	4	[Profile]	H-84
Glazing Bead	[Profile]	8	[Profile]	W/4-119.5
Glazing Bead	[Profile]	8	[Profile]	H-205
DV75	[Profile]	2	[Profile]	H-84
DV76	[Profile]	1	[Profile]	H-84
DV177	[Profile]	1	[Profile]	H-84
VG52	[Profile]	2	[Profile]	W-62
VG52	[Profile]	4	[Profile]	H-62
VG53	[Profile]	2	[Profile]	W-62
PCX38	[Profile]	2	[Profile]	H-84

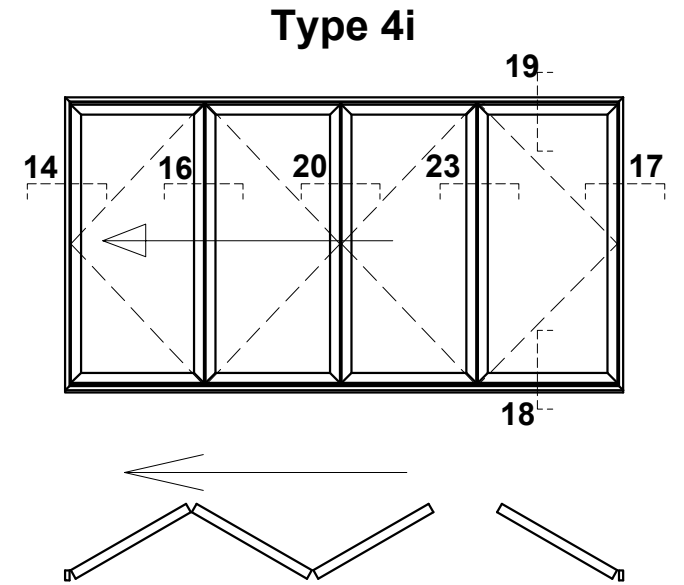
Note: PCX15 required for leaf heights over 2285mm.

GLASS SIZES	W/4 - 129.5
4 X	H - 181

FOR ENHANCED WEATHER PERFORMANCE REPLACE ACDV244N FLIPPER GASKET WITH ACDV268 BUBBLE GASKET

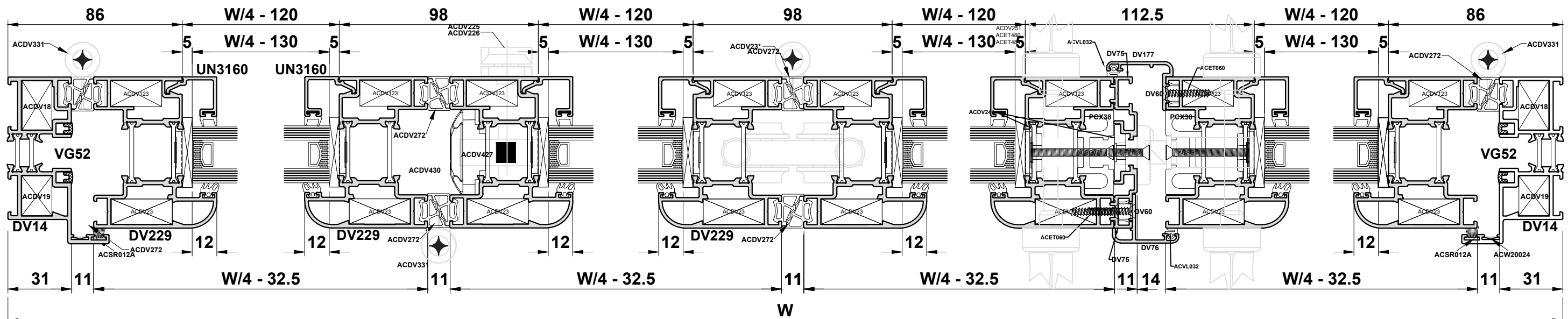
IMPORTANT NOTE:
Min. Sash Width 700mm / Max. Sash Width 1200mm
Max. Sash Weight 100kg
Max. Sash Height 2500mm Dependant On Site Conditions
Always Measure In the Last Vent.

ACDV18	4	CLEAT FOR DV14
ACDV19	4	CLEAT FOR DV14
ACDV23	16	CLEAT FOR DV228 & DV229
ACDV123	16	CLEAT FOR DV228 & DV229
ACDV080	2	RUN UP BLOCK
ACDV225 or 226	1	SHOOTBOLT HANDLE
ACDV427	1	SHOOTBOLT GEARBOX
ACDV328	1 (PAIR)	SHOOTBOLT ROD
ACDV229	1 (PAIR)	SHOOTBOLT GUIDE
ACDV430	1	SHOOTBOLT COVER
ACDV331	14	INTERMEDIATE HINGE
ACDV232	1	BOTTOM ROLLER HINGE
ACDV233	1	TOP GUIDE HINGE
ACDV274	1	D-HANDLE/HINGE
ACDV241	11	FIXING BLOCK FOR LOCK
ACDV244N	2 x (W-90) + 2 x (H-90)	FLIPPER GASKET
ACDV251	2 (PAIRS)	LEVER HANDLES
ACDV258 (SL)	2	50/50 CYLINDER
ACDV262	22	SCREW FOR LOCK
ACDV264	15	SCREW FOR KEEPS
ACDV270	11	FIXING PLATE FOR KEEPS
ACDV271	11	PACKER FOR PCX38
ACDV272	4 x (W-62) 12 x (H-62)	SEALING GASKET (cut to fit)
ACDV275	4	CORNER MOULDS
ACDV76	1 (PAIR)	END CAP FOR DV76
ACDV177	1 (PAIR)	END CAP FOR DV177
ACDV722/23	1	MULTI-POINT LOCK
ACDV727	1	SECONDARY DOOR LOCK
ACDV737 & 738	1 EACH	TOP & BOTTOM SHOOTBOLTS
ACDV733	2	SHOOTBOLT KEEP
ACET060	55	SCREW FOR DV68/DV76
ACET123	11	SCREW FOR KEEP
ACET133	2	SCREW FOR ACDV225/6
ACET131	2	DRAIN HOLE COVER
ACMX01604 (SL)	2	HALF CYLINDER
ACVL032	2 x (H-84)	DV76 FLIPPER GASKET
ACW20024	4	CHEVRON FOR DV14
ACSR012A	2 x (W-90) + 2 x (H-90)	WOOLPILE
ACDV295	1 PER SASH FRAME	GLASS ADJUSTER KIT
ACDV308	1	MAGNETIC CATCH



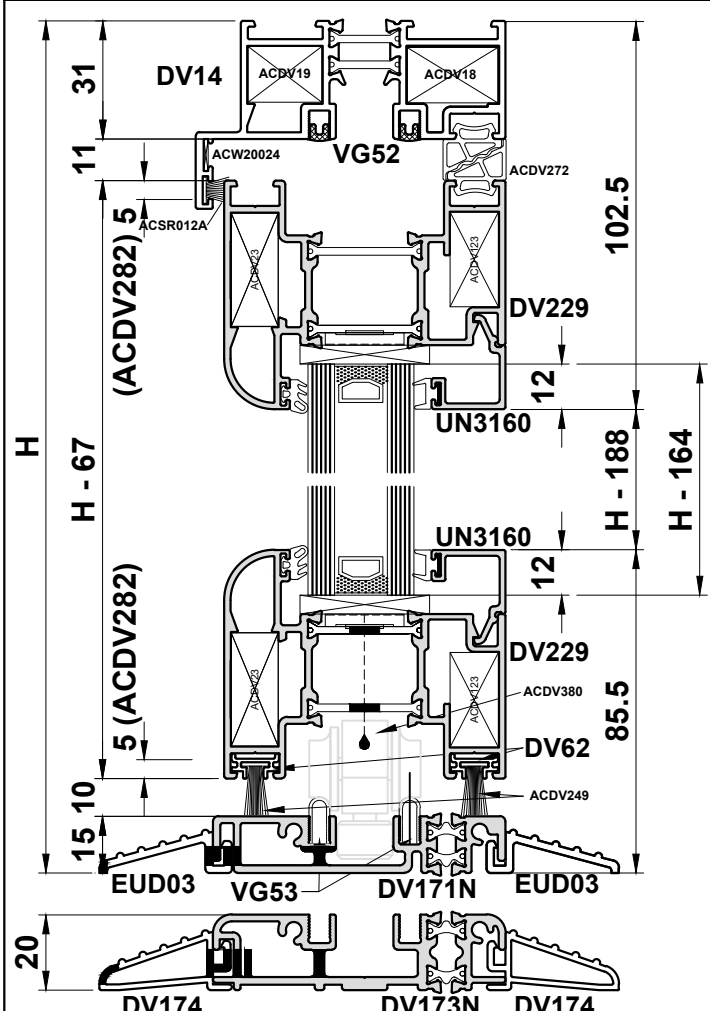
IMPORTANT NOTE:

- When using DV220 or DV221 Slim Sash please take the following into account:
- DV220 & DV221 width and height deductions remain the same as standard sashes.
- Beads, Glazing and Glazing Gaskets will need to increase by 10mm (Example: H-205 will change to H-195).
- ACDV123 or ACDV29 Cleats must be used.
- Use DV177 Rebate Adapter on exterior (Example: Interior = DV76 & Exterior = DV177)
- Use PCX38 in place of PCX38
- Use handles suitable for DV220 / DV221 refer to Section B for compatible options
- Please refer to Lock Table in section E



Do Not Scale From This Drawing

Cutting Information



PROFILE CUTTING SCHEDULE

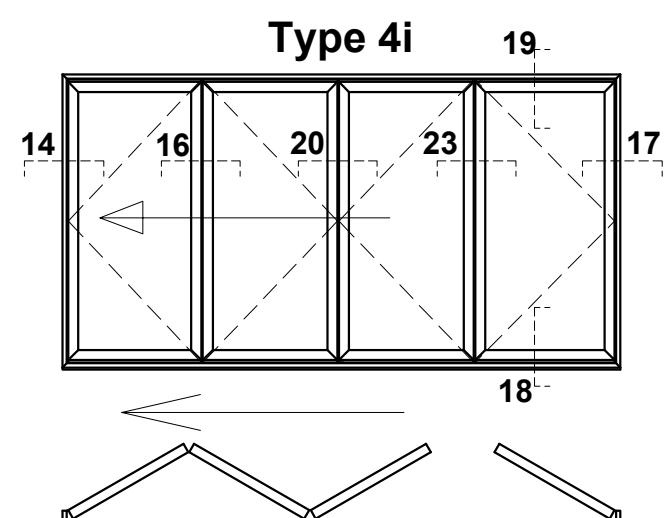
DV14	1	W
DV14	2	H
DV171N	1	W-66
EUD03	1	W-66
EUD03	1	W-103
DV229	8	W/4-32
DV229	8	H-67
DV60	4	H-67
DV62	2	W/4-36
DV62	3	W/4-46
DV62	3	W/4-60
Glazing Bead	8	W/4-119.5
Glazing Bead	8	H-188
DV75	2	H-67
DV76	1	H-67
DV177	1	H-67
VG52	2	W-62
VG52	4	H-46
VG53	2	W-62
PCX38	2	H-67

PROFILE CUTTING SCHEDULE (DV173N)

DV173N	1	W-66
DV174	1	W-66
DV174	1	W-103
DV229	8	H-72
Glazing Bead	8	H-193
DV68	2	H-72
DV76	2	H-72
PCX38	2	H-72

Note:
- PCX15 required for leaf heights over 2285mm.
- When using DV123 or DV126 please refer to note on previous page

ACDV18	4	CLEAT FOR DV14
ACDV19	4	CLEAT FOR DV14
ACDV23	16	CLEAT FOR DV228 & DV229
ACDV123	16	CLEAT FOR DV228 & DV229
ACDV171/173	2	THRESHOLD ENDCAP
ACDV225 or 226	1	SHOOTBOLT HANDLE
ACDV427	1	SHOOTBOLT GEARBOX
ACDV328	1 (PAIR)	SHOOTBOLT ROD
ACDV229	1 (PAIR)	SHOOTBOLT GUIDE
ACDV430	1	SHOOTBOLT COVER
ACDV331	14	INTERMEDIATE HINGE
ACDV232	1	BOTTOM ROLLER HINGE
ACDV233	1	TOP GUIDE HINGE
ACDV274	1	D-HANDLE/HINGE
ACDV241	11	FIXING BLOCK FOR LOCK
ACDV244N	1 x (W-90) + 2 x (H-60)	FLIPPER GASKET
ACDV245	1 x (W-62) + 2 x (H-46)	SEALING GASKET
ACDV246	4 x (W/4-32) + 2 x (H-62)	SEALING GASKET
ACDV249	8 x (W/4-32)	WOOLPILE
ACDV251	2 (PAIRS)	LEVER HANDLES
ACDV254	8 (PAIRS)	INFILL BLOCK
ACDV258 (SL)	2	50/50 CYLINDER
ACDV262	22	SCREW FOR LOCK
ACDV264	15	SCREW FOR KEEPS
ACDV270	11	FIXING PLATE FOR KEEPS
ACDV272	2 x (W-62) 12 x (H-51)	SEALING GASKET (cut to fit)
ACDV275	4	CORNER MOULDS
ACDV76	1 (PAIR)	END CAP FOR DV76
ACDV177	1 (PAIR)	END CAP FOR DV177
ACDV722/23	1	MULTI-POINT LOCK
ACDV727	1	SECONDARY DOOR LOCK
ACDV737 & 738	1 EACH	TOP & BOTTOM SHOOTBOLTS
ACDV733	2	SHOOTBOLT KEEP
ACDR052	4	SCREWS FOR THRESHOLD
ACET060	55	SCREW FOR DV68 & DV76
ACET123	11	SCREW FOR KEEP
ACET133	4	SCREW FOR ACDV225/6
ACMX01604 (SL)	1	HALF CYLINDER
ACVL032	2 x (H-84)	DV76 FLIPPER GASKET
ACW20024	4	CHEVRON FOR DV14



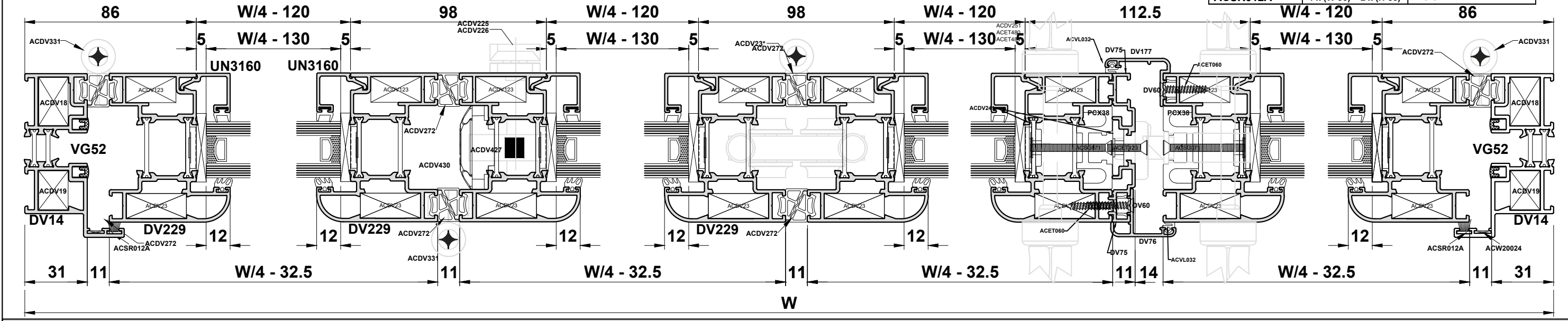
IMPORTANT NOTE:
Min. Sash Width 700mm / Max. Sash Width 1200mm
Max. Sash Weight 100kg
Max. Sash Height 2500mm Dependant On Site Conditions
Always Measure In the Last Vent.

GLASS DEDUCTIONS

DV171N	4 x	W/4 - 129.5	H - 164
DV173N	4 x	W/4 - 129.5	H - 169

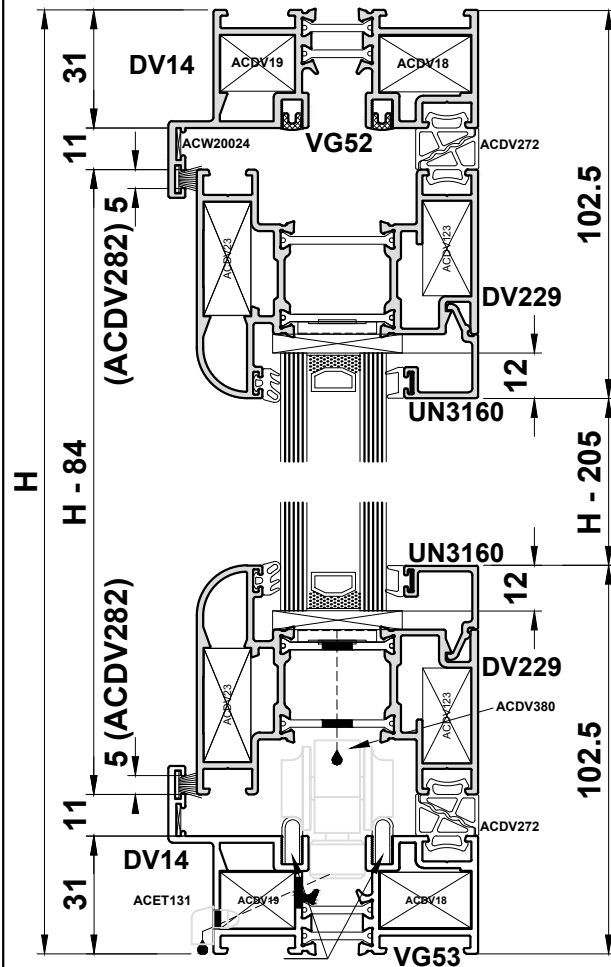
FOR ENHANCED WEATHER PERFORMANCE REPLACE ACDV244N FLIPPER GASKET WITH ACDV268 BUBBLE GASKET

ACDV292	1	BRUSH PILE CARRIER
ACSR012A	1 x (W-90) + 2 x (H-55)	WOOLPILE



Do Not Scale From This Drawing

Cutting Information



PROFILE CUTTING SCHEDULE

DV14		2		W
DV14		2		H
DV229		8		W/4 - 53
DV229		8		H-84
DV32		2		H-94
DV60		4		H-84
DV56		2		H-84
Glazing Bead		8		W/4 - 140
Glazing Bead		8		H-205
VG52		2		W-62
VG52		4		H-62
VG53		2		W-62

GLASS SIZES	
4 X	W/4 - 150
	H - 181

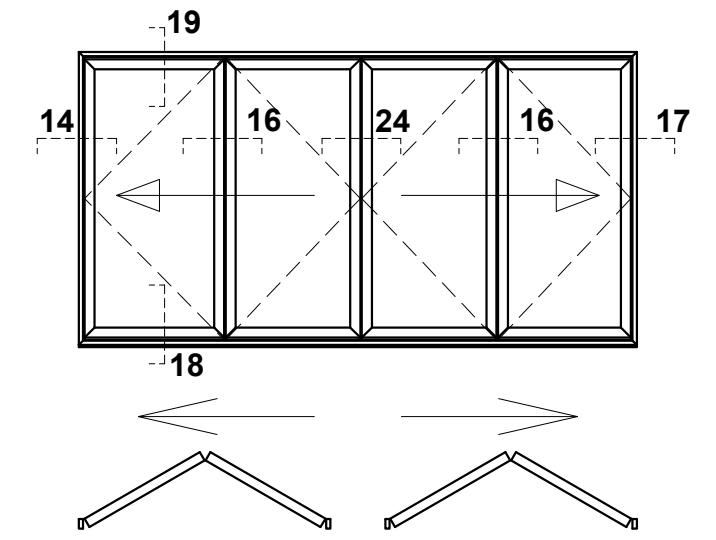
IMPORTANT NOTE:

- When using DV220 or DV221 Slim Sash please take the following into account:
- DV220 & DV221 width and height deductions remain the same as standard sashes.
- Beads, Glazing and Glazing Gaskets will need to increase by 10mm (Example: H-205 will change to H-195).
- ACDV123 or ACDV29 Cleats must be used.
- Use DV177 Rebate Adapter on exterior (Example: Interior = DV76 & Exterior = DV177)
- Use PCX38 in place of PCX38
- Use handles suitable for DV220 / DV221 refer to Section B for compatible options
- Please refer to Lock Table in section E

ACCESSORIES

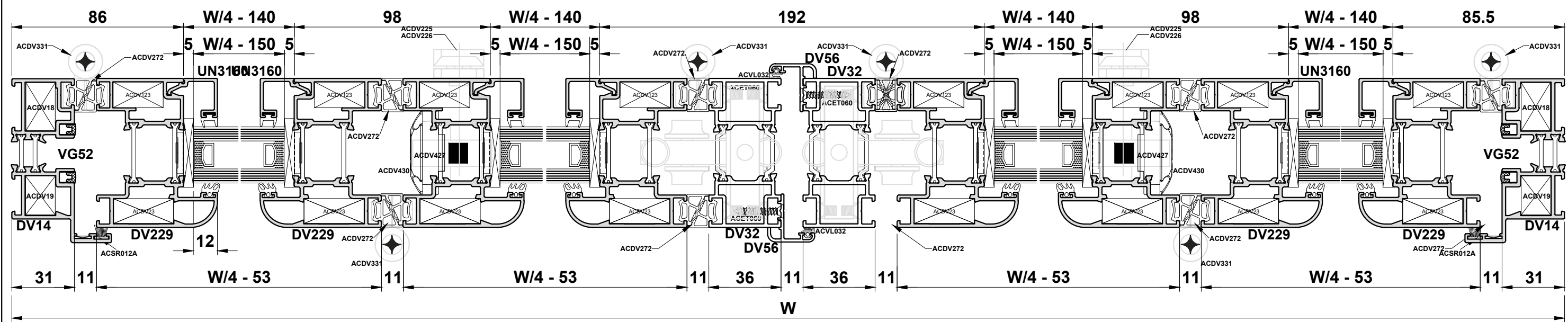
ACDV18	4	CLEAT FOR DV14
ACDV19	4	CLEAT FOR DV14
ACDV23	16	CLEAT FOR DV228 & DV229
ACDV123	16	CLEAT FOR DV228 & DV229
ACDV225 or 226	2	SHOOTBOLT HANDLE
ACDV427	2	SHOOTBOLT GEARBOX
ACDV328	2 (PAIRS)	SHOOTBOLT ROD
ACDV229	2 (PAIRS)	SHOOTBOLT GUIDE
ACDV430	2	SHOOTBOLT COVER
ACDV331	24	INTERMEDIATE HINGE
ACDV274	2	D-HANDLE/HINGE
ACDV272	4 x (W-62) 20 x (H-62)	SEALING GASKET (cut to fit)
ACDV275	4	CORNER MOULDS
ACDV380	2	DV32 BOTTOM ROLLER
ACDV381	2	DV32 TOP GUIDE
ACDV282	8	WOOLPILE CARRIER
ACDV56	2 (PAIRS)	END CAP FOR DV56
ACET060	26	SCREW FOR DV56 & HINGE
ACET133	4	SCREW FOR ACDV225/6
ACET131	2	DRAIN HOLE COVER
ACMX01604 (SL)	2	HALF CYLINDER
ACSR012A	2 x (W-90) + 2 x (H-90)	WOOLPILE
ACSR012A	4 x 47mm	WOOLPILE FOR ACDV282
ACVG31	8 x (W/4-150) + 8 x (H-181)	EXTERNAL GLAZING GASKET
ACVG34	8 x (W/4-150) + 8 x (H-181)	INTERNAL GLAZING GASKET
ACVL032	2 x (H-84)	DV56 FLIPPER GASKET
ACW20024	4	CHEVRON FOR DV14
ACDV295	1 PER SASH FRAME	GLASS ADJUSTER KIT
ACDV385	2	FLOATING MULLION GUIDE

Type 5i



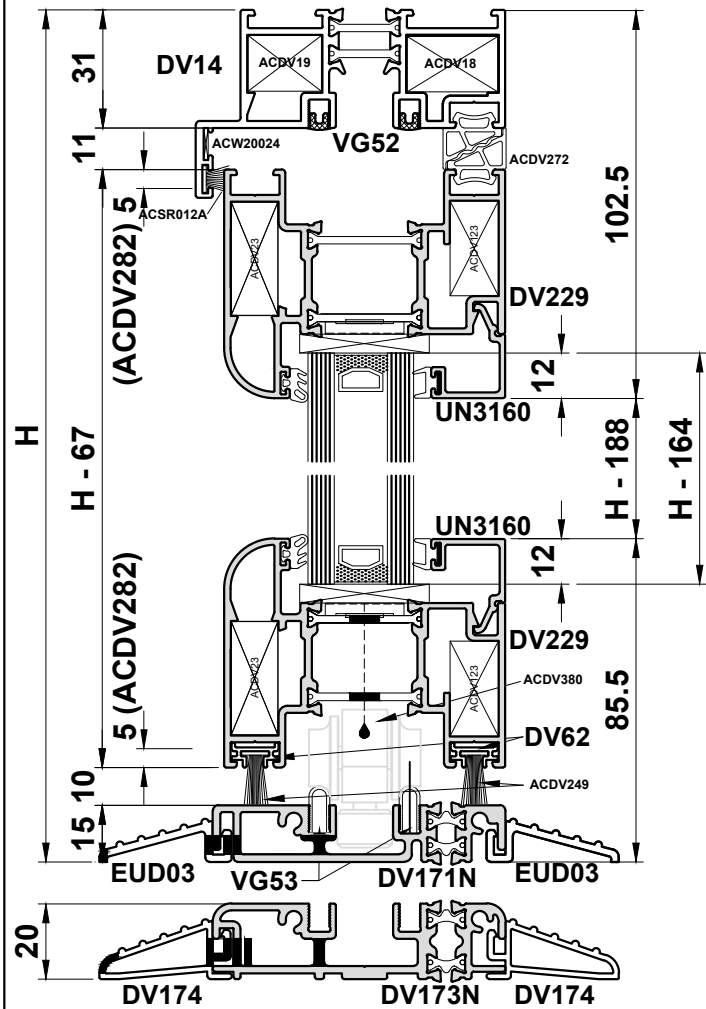
NOTE:
Design Type 5e does not offer external access or an individual traffic door.

IMPORTANT NOTE:
Min. Sash Width 700mm / Max. Sash Width 1200mm
Max. Sash Weight 100kg
Max. Sash Height 2500mm Dependant On Site Conditions
Always Measure In the Last Vent.



Do Not Scale From This Drawing

Cutting Information



PROFILE CUTTING SCHEDULE

DV14		1		W
ACDV19		2		H
DV171N		1		W-66
EUD03		1		W-66
EUD03		1		W-103
DV229		8		W/4-53
DV229		8		H-67
DV32		2		H-77
DV56		2		H-67
DV60		4		H-67
DV62		2		W/4-67
DV62		6		W/4-81
Glazing Bead		8		W/4-140
Glazing Bead		8		H-188
VG52		2		W-62
VG52		4		H-46
VG53		2		W-62

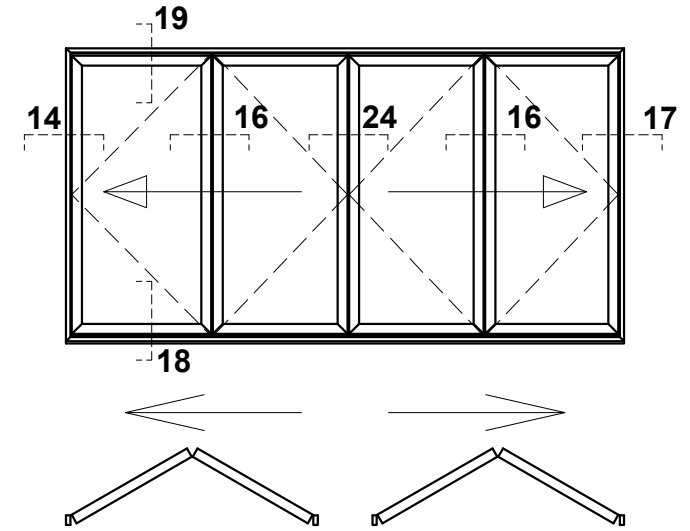
PROFILE CUTTING SCHEDULE (DV173N)

DV173N		1		W-66
DV174		1		W-66
DV174		1		W-103
DV229		8		H-72
DV32		2		H-82
DV56		2		H-72
Glazing Bead		8		H-193

ACCESSORIES

ACDV18	2	CLEAT FOR DV14
ACDV19	2	CLEAT FOR DV14
ACDV23	16	CLEAT FOR DV228 & DV229
ACDV123	16	CLEAT FOR DV228 & DV229
ACDV171/173	2	THRESHOLD ENDCAP
ACDV225 or 226	2	SHOOTBOLT HANDLE
ACDV427	2	SHOOTBOLT GEARBOX
ACDV328	2 (PAIRS)	SHOOTBOLT ROD
ACDV229	2 (PAIRS)	SHOOTBOLT GUIDE
ACDV430	2	SHOOTBOLT COVER
ACDV331	24	INTERMEDIATE HINGE
ACDV274	2	D-HANDLE/HINGE
ACDV242	2	END CAP FOR DV32
ACDV249	8 x (W/4-41) + 4 x (42)	WOOLPILE
ACDV254	8 (PAIRS)	INFILL BLOCK
ACDV272	4 x (W-62) 20 x (H-51)	SEALING GASKET (cut to fit)
ACDV275	4	CORNER MOULDS
ACDV380	2	DV32 BOTTOM ROLLER
ACDV381	2	DV32 TOP GUIDE
ACDV282	8	WOOLPILE CARRIER
ACDV56	2 (PAIRS)	END CAP FOR DV56
ACDR052	4	SCREWS FOR THRESHOLD
ACET060	26	SCREW FOR DV56 & HINGE
ACET133	4	SCREW FOR ACDV225/6
ACMX01604 (SL)	2	HALF CYLINDER
ACSR012A	1 x (W-90) + 2 x (H-65)	WOOLPILE
ACSR012A	2 x 47mm	WOOLPILE FOR ACDV282
ACDV249	2 x 47mm	WOOLPILE FOR ACDV282
ACVG31	8 x (W/4-150) + 8 x (H-164)	EXTERNAL GLAZING GASKET
ACVG34	8 x (W/4-150) + 8 x (H-164)	INTERNAL GLAZING GASKET
ACVL032	2 x (H-84)	DV56 FLIPPER GASKET
ACW20024	2	CHEVRON FOR DV14
ACDV292	1	BRUSH PILE CARRIER
ACDV295	1 PER SASH FRAME	GLASS ADJUSTER KIT
ACDV385	2	FLOATING MULLION GUIDE

Type 5i



NOTE:

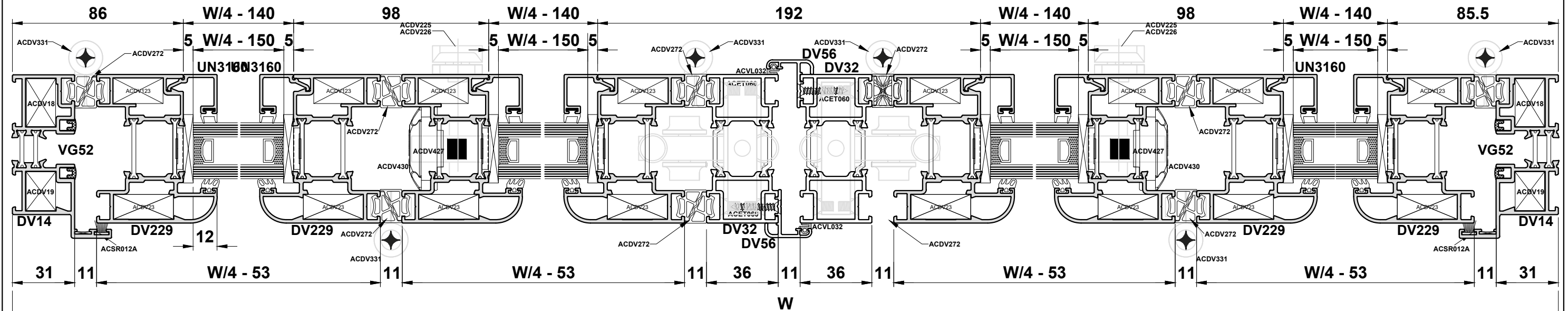
Design Type 5e does not offer external access or an individual traffic door.

IMPORTANT NOTE:

Min. Sash Width 700mm / Max. Sash Width 1200mm
Max. Sash Weight 100kg
Max. Sash Height 2500mm Dependant On Site Conditions
Always Measure In the Last Vent.

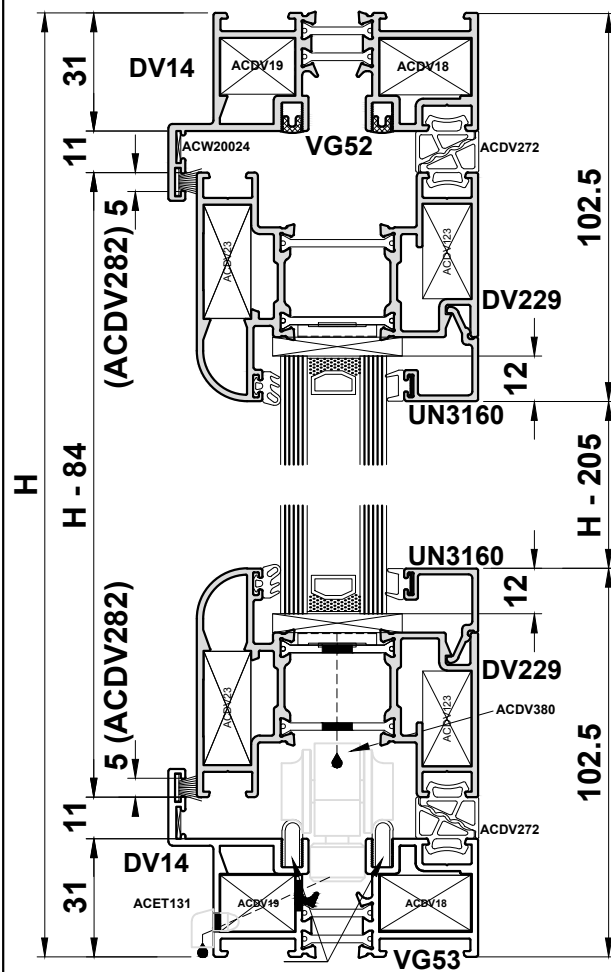
GLASS DEDUCTIONS

DV171N	4 x	W/4 - 150	H - 164
DV173N	4 x	W/4 - 150	H - 169



Do Not Scale From This Drawing

Cutting Information



PROFILE CUTTING SCHEDULE

DV14		2		W
ACDV19		2		H
DV229		10		W/5 - 26.5
DV229		10		H-84
Glazing Bead		10		W/5-113
Glazing Bead		10		H-205
DV60		2		H-84
DV60		1		H-62
DV76		1		H-84
VG52		2		W-62
VG52		4		H-62
VG53		2		W-62
PCX38		1		H-84

Note: PCX15 required for leaf heights over 2285mm.

GLASS SIZES	W/5 - 123
5 X	H - 181

IMPORTANT NOTE:

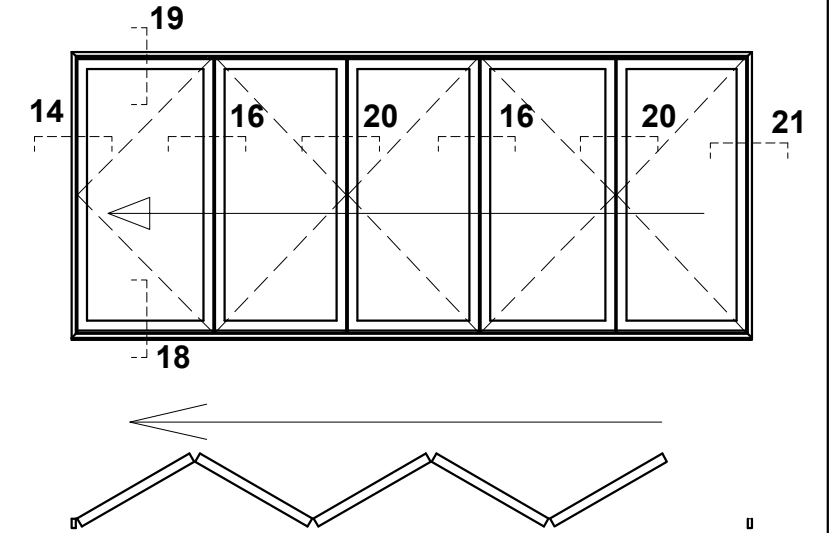
- When using DV220 or DV221 Slim Sash please take the following into account: DV220 & DV221 width and height deductions remain the same as standard sashes.
- Beads, Glazing and Glazing Gaskets will need to increase by 10mm (Example: H-205 will change to H-195).
- ACDV123 or ACDV29 Cleats must be used.
- Use DV177 Rebate Adapter on exterior (Example: Interior = DV76 & Exterior = DV177)
- Use PCX38 in place of PCX38
- Use handles suitable for DV220 / DV221 refer to Section B for compatible options
- Please refer to Lock Table in section E

ACCESSORIES

ACDV18	4	CLEAT FOR DV14
ACDV19	4	CLEAT FOR DV14
ACDV23	20	CLEAT FOR DV228 & DV229
ACDV123	20	CLEAT FOR DV228 & DV229
ACDV080	1	RUN UP BLOCK
ACDV225 or 226	2	SHOOTBOLT HANDLE
ACDV427	2	SHOOTBOLT GEARBOX
ACDV328	2 (PAIR)	SHOOTBOLT ROD
ACDV229	2 (PAIR)	SHOOTBOLT GUIDE
ACDV430	2	SHOOTBOLT COVER
ACDV331	16	INTERMEDIATE HINGE
ACDV232	2	BOTTOM ROLLER HINGE
ACDV233	2	TOP GUIDE HINGE
ACDV274	2	D-HANDLE/HINGE
ACDV241	11	FIXING BLOCK FOR LOCK
ACDV244N	2 x (W-90) + 2 x (H-90)	FLIPPER GASKET
ACDV251	1 (PAIR)	LEVER HANDLES
ACDV258 (SL)	1	50/50 CYLINDER
ACDV262	11	SCREW FOR LOCK
ACDV264	11	SCREW FOR KEEPS
ACDV272	4 x (W-62) + 18 x (H-62)	SEALING GASKET (cut to fit)
ACDV275	5	CORNER MOULDS
ACDV76	1 (PAIR)	END CAP FOR DV76
ACDV722/23	1	MULTI-POINT LOCK
ACET060	11	SCREW FOR DV76
ACET133	4	SCREW FOR ACDV225/6
ACMX01604 (SL)	2	HALF CYLINDER
ACDV523	11	FIXING BLOCK FOR KEEPS
ACVG31	10 x (W/5-123) + 10 x (H-181)	EXTERNAL GLAZING GASKET
ACVG34	10 x (W/5-123) + 10 x (H-181)	INTERNAL GLAZING GASKET
ACVL032	1 x (H-84)	DV76 FLIPPER GASKET
ACW20024	4	CHEVRON FOR DV14
ACSR012A	2 x (W-90) + 2 x (H-90)	WOOLPILE
ACDV295	1 PER SASH FRAME	GLASS ADJUSTER KIT
ACDV308	1	MAGNETIC CATCH

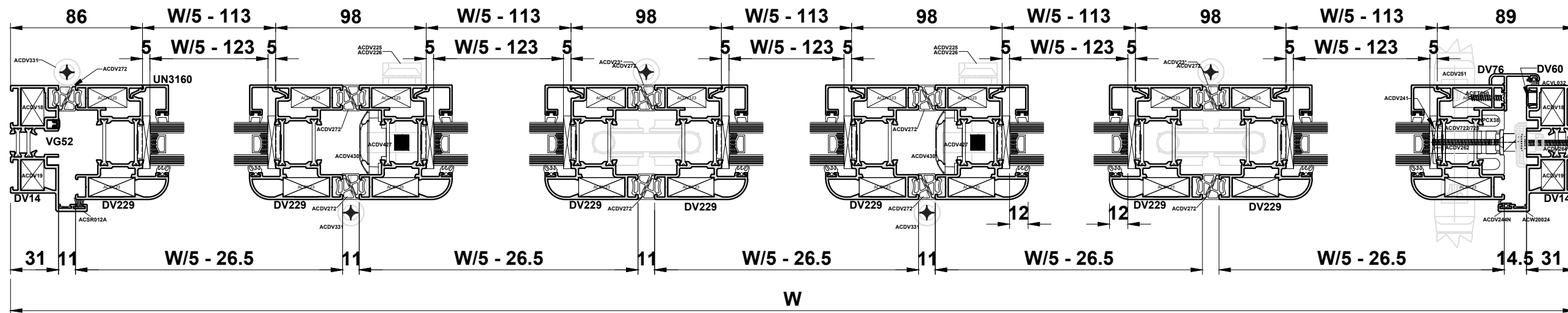
+ Optional: 1 x ACDV396 Shootbolt Keep if Sash is over 2300mm high

Type 6i



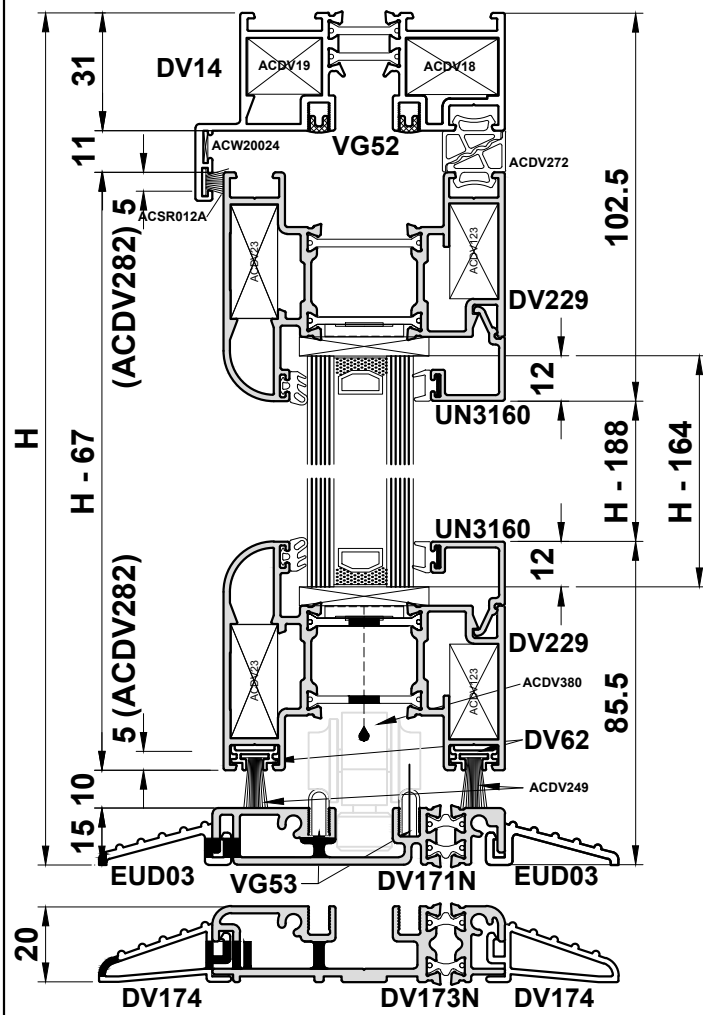
IMPORTANT NOTE:
Min. Sash Width 700mm / Max. Sash Width 1200mm
Max. Sash Weight 100kg
Max. Sash Height 2500mm Dependant On Site Conditions
Always Measure In the Last Vent.

FOR ENHANCED WEATHER PERFORMANCE REPLACE ACDV244N FLIPPER GASKET WITH ACDV268 BUBBLE GASKET



Do Not Scale From This Drawing

Cutting Information



PROFILE CUTTING SCHEDULE

DV14		1		W
DV14		2		H
DV171N		1		W-66
EUD03		1		W-66
EUD03		1		W-103
DV229		10		W/5-26
DV229		10		H-67
DV60		2		H-67
DV60		1		H-51
DV62		2		W/5-40
DV62		8		W/5-54
Glazing Bead		10		W/5-123
Glazing Bead		10		H-188
DV76		1		H-67
VG52		2		W-62
VG52		4		H-46
VG53		2		W-62
PCX38		1		H-67

PROFILE CUTTING SCHEDULE (DV173N)

DV173N		1		W-66
DV174		1		W-66
DV174		1		W-103
DV229		10		H-72
Glazing Bead		10		H-193
DV76		1		H-72
PCX38		1		H-72

Note: PCX15 required for leaf heights over 2285mm.

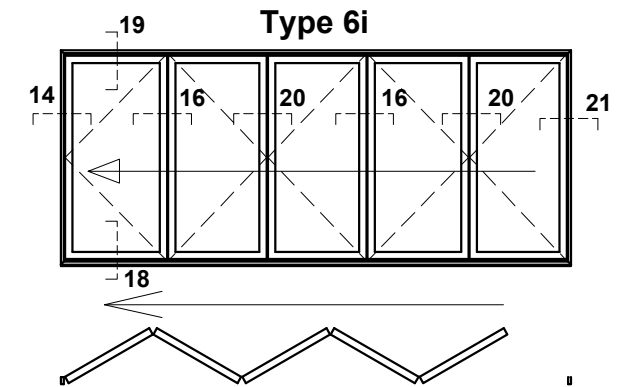
GLASS DEDUCTIONS

DV171N	5 x	W/5 - 123	H - 164
DV173N	5 x	W/5 - 123	H - 169

ACCESSORIES

ACDV18	4	CLEAT FOR DV14
ACDV19	4	CLEAT FOR DV14
ACDV23	20	CLEAT FOR DV228 & DV229
ACDV123	20	CLEAT FOR DV228 & DV229
ACDV171/173	2	THRESHOLD ENDCAP
ACDV225 or 226	2	SHOOTBOLT HANDLE
ACDV427	2	SHOOTBOLT GEARBOX
ACDV328	2 (PAIR)	SHOOTBOLT ROD
ACDV229	2 (PAIR)	SHOOTBOLT GUIDE
ACDV430	2	SHOOTBOLT COVER
ACDV331	16	INTERMEDIATE HINGE
ACDV232	2	BOTTOM ROLLER HINGE
ACDV233	2	TOP GUIDE HINGE
ACDV274	2	D-HANDLE/HINGE
ACDV241	11	FIXING BLOCK FOR LOCK
ACDV244N	1 x (W-90) + 2 x (H-60)	FLIPPER GASKET
ACDV249	10 x (W/5-26)	WOOLPILE
ACDV251	1 (PAIR)	LEVER HANDLES
ACDV254	10 (PAIRS)	INFILL BLOCK
ACDV258 (SL)	1	50/50 CYLINDER
ACDV262	11	SCREW FOR LOCK
ACDV264	11	SCREW FOR KEEPS
ACDV272	2 x (W-62) + 18 x (H-51)	SEALING GASKET (cut to fit)
ACDV275	5	CORNER MOULDS
ACDV76	1 (PAIR)	END CAP FOR DV76
ACDV722/23	1	MULTI-POINT LOCK
ACDR052	4	SCREWS FOR THRESHOLD
ACET060	11	SCREW FOR DV76
ACET133	4	SCREW FOR ACDV225/6
ACMX01604 (SL)	2	HALF CYLINDER
ACDV523	11	FIXING BLOCK FOR KEEPS
ACVG31	10 x (W/5-123) + 10 x (H-164)	EXTERNAL GLAZING GASKET
ACVG34	10 x (W/5-123) + 10 x (H-164)	INTERNAL GLAZING GASKET
ACVL032	1 x (H-67)	DV76 FLIPPER GASKET
ACW20024	4	CHEVRON FOR DV14
ACSR012A	1 x (W-90) + 2 x (H-55)	WOOLPILE
ACDV295	1 PER SASH FRAME	GLASS ADJUSTER KIT
ACDV308	1	MAGNETIC CATCH

+ Optional: 1 x ACDV396 Shootbolt Keep if Sash is over 2300mm high

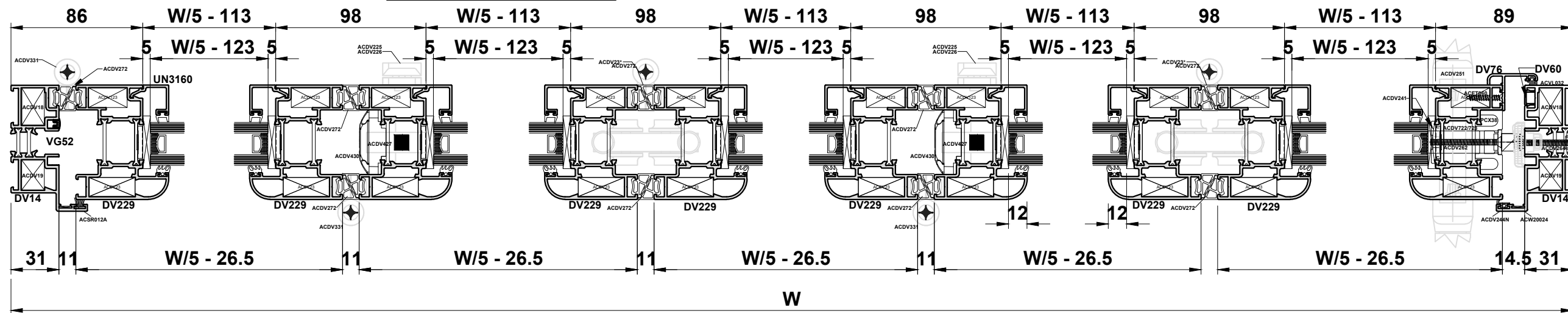


IMPORTANT NOTE:
Min. Sash Width 700mm / Max. Sash Width 1200mm
Max. Sash Weight 100kg
Max. Sash Height 2500mm Dependant On Site Conditions
Always Measure In the Last Vent.

IMPORTANT NOTE:

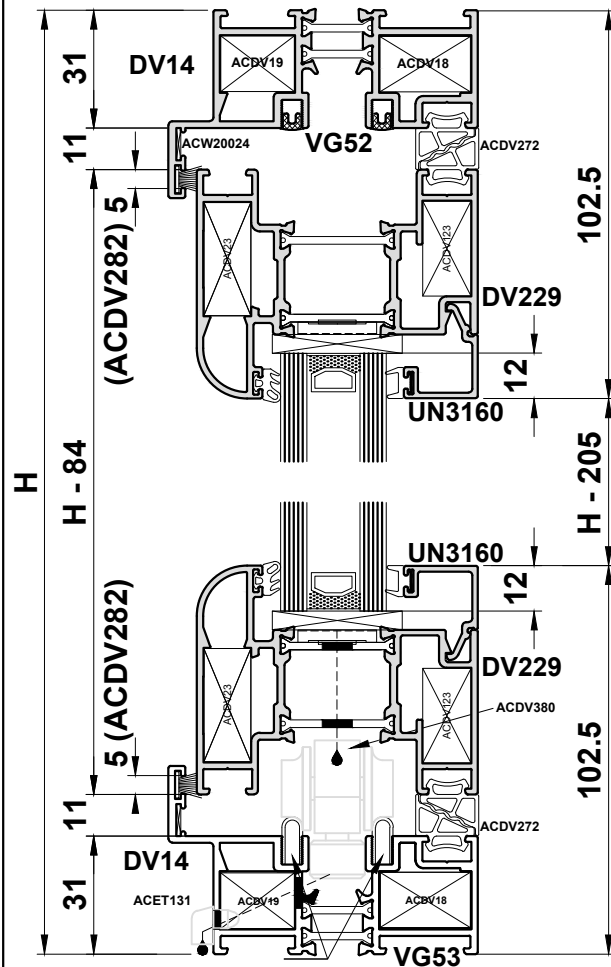
- When using DV220 or DV221 Slim Sash please take the following into account:
- DV220 & DV221 width and height deductions remain the same as standard sashes.
- Beads, Glazing and Glazing Gaskets will need to increase by 10mm (Example: H-205 will change to H-195).
- ACDV123 or ACDV29 Cleats must be used.
- Use DV177 Rebate Adapter on exterior (Example: Interior = DV76 & Exterior = DV177)
- Use PCX38 in place of PCX38
- Use handles suitable for DV220 / DV221 refer to Section B for compatible options
- Please refer to Lock Table in section E

FOR ENHANCED WEATHER PERFORMANCE REPLACE ACDV244N FLIPPER GASKET WITH ACDV268 BUBBLE GASKET



Do Not Scale From This Drawing

Cutting Information



PROFILE CUTTING SCHEDULE

DV14		2		W
DV14		2		H
DV229		12		W/6 - 25
DV229		12		H-84
DV60		4		H-84
DV75		2		H-84
Glazing Bead		12		W/6-112
Glazing Bead		12		H-205
DV76		1		H-84
DV177		1		H-84
VG52		2		W-62
VG52		4		H-62
VG53		2		W-62
PCX38		2		H-84

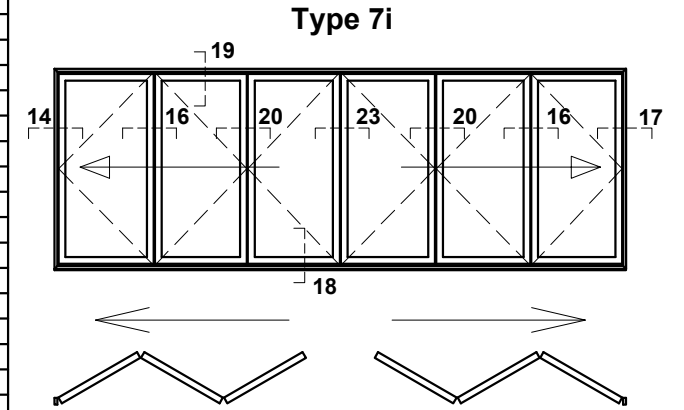
Note: PCX15 required for leaf heights over 2285mm.

GLASS SIZES	6 X	W/6 - 122
		H - 181

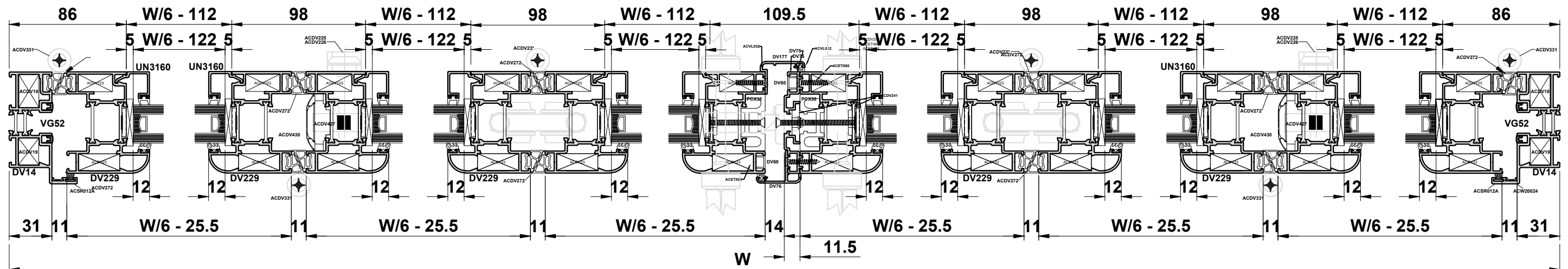
FOR ENHANCED WEATHER PERFORMANCE REPLACE ACDV244N FLIPPER GASKET WITH ACDV268 BUBBLE GASKET

ACCESSORIES

ACDV18	4	CLEAT FOR DV14
ACDV19	4	CLEAT FOR DV14
ACDV23	24	CLEAT FOR DV228 & DV229
ACDV123	24	CLEAT FOR DV228 & DV229
ACDV080	2	RUN UP BLOCK
ACDV225 or 226	2	SHOOTBOLT HANDLE
ACDV427	2	SHOOTBOLT GEARBOX
ACDV328	2 (PAIRS)	SHOOTBOLT ROD
ACDV229	2 (PAIRS)	SHOOTBOLT GUIDE
ACDV430	2	SHOOTBOLT COVER
ACDV331	20	INTERMEDIATE HINGE
ACDV232	2	BOTTOM ROLLER HINGE
ACDV233	2	TOP GUIDE HINGE
ACDV274	2	D-HANDLE/HINGE
ACDV241	22	FIXING BLOCK FOR LOCK
ACDV244N	2 x (W-90) + 2 x (H-90)	FLIPPER GASKET
ACDV251	2 (PAIR)	LEVER HANDLES
ACDV258 (SL)	2	50/50 CYLINDER
ACDV262	11	SCREW FOR LOCK
ACDV264	15	SCREW FOR KEEPS
ACDV270	11	FIXING PLATE FOR KEEPS
ACDV272	4 x (W-62) + 20 x (H-62)	SEALING GASKET (cut to fit)
ACDV275	6	CORNER MOULDS
ACDV76	1 (PAIR)	END CAP FOR DV76
ACDV177	1 (PAIR)	END CAP FOR DV177
ACDV722/23	1	MULTI-POINT LOCK
ACDV727	1	SECONDARY DOOR LOCK
ACDV737 & 738	1 EACH	TOP & BOTTOM SHOOTBOLTS
ACDV733	2	SHOOTBOLT KEEP
ACET060	44	SCREW FOR DV68 & DV76
ACET123	11	SCREW FOR KEEP
ACET133	6	SCREW FOR ACDV225/6
ACET131	4	DRAIN HOLE COVER
ACMX01604 (SL)	2	HALF CYLINDER
ACVL032	2 x (H-84)	DV76 FLIPPER GASKET
ACW20024	4	CHEVRON FOR DV14
ACSR012A	2 x (W-90) + 2 x (H-90)	WOOLPILE
ACDV295	1 PER SASH FRAME	GLASS ADJUSTER KIT
ACDV308	2	MAGNETIC CATCH

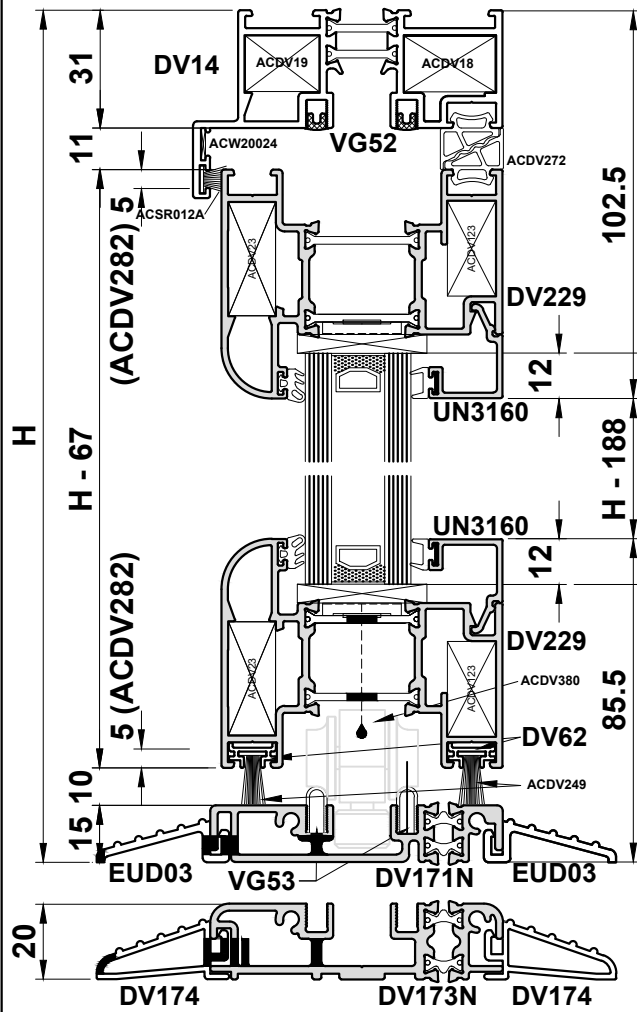


IMPORTANT NOTE:
Min. Sash Width 700mm / Max. Sash Width 1200mm
Max. Sash Weight 100kg
Max. Sash Height 2500mm Dependant On Site Conditions
Always Measure In the Last Vent.



Do Not Scale From This Drawing

Cutting Information



DV14		1		W
DV14		2		H
DV171N		1		W-66
EUD03		1		W-66
EUD03		1		W-103
DV229		12		W/6-25
DV229		12		H-67
DV60		4		H-67
DV62		2		W/6-39
DV62		10		W/6-53
Glazing Bead		12		W/6-112
Glazing Bead		12		H-188
DV75		2		H-67
DV76		1		H-67
DV177		1		H-67
VG52		2		W-62
VG52		4		H-46
VG53		2		W-62
PCX38		2		H-67

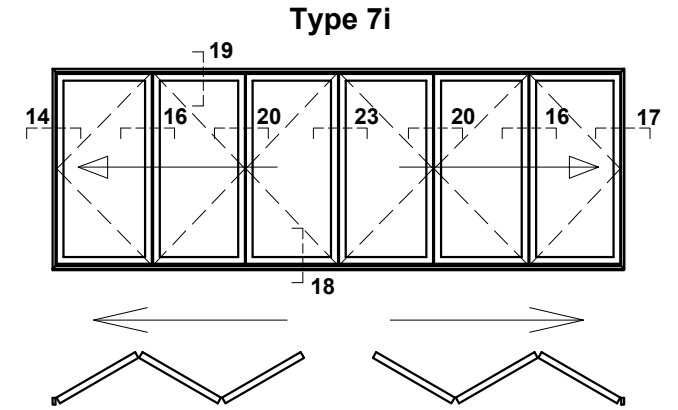
PROFILE CUTTING SCHEDULE (DV173N)

DV173N		1		W-66
DV174		1		W-66
DV174		1		W-103
DV229		12		H-72
DV68		2		H-72
DV76		2		H-72
Glazing Bead		12		H-193
PCX38		2		H-72

Note: PCX15 required for leaf heights over 2285mm.

FOR ENHANCED WEATHER PERFORMANCE REPLACE ACDV244N FLIPPER GASKET WITH ACDV268 BUBBLE GASKET

ACDV18	2	CLEAT FOR DV14
ACDV19	2	CLEAT FOR DV14
ACDV23	24	CLEAT FOR DV228 & DV229
ACDV123	24	CLEAT FOR DV228 & DV229
ACDV171/173	2	THRESHOLD ENDCAP
ACDV225 or 226	2	SHOOTBOLT HANDLE
ACDV427	2	SHOOTBOLT GEARBOX
ACDV328	2 (PAIRS)	SHOOTBOLT ROD
ACDV229	2 (PAIRS)	SHOOTBOLT GUIDE
ACDV430	2	SHOOTBOLT COVER
ACDV331	20	INTERMEDIATE HINGE
ACDV232	2	BOTTOM ROLLER HINGE
ACDV233	2	TOP GUIDE HINGE
ACDV241	22	FIXING BLOCK FOR LOCK
ACDV244N	1 x (W-90) + 2 x (H-65)	FLIPPER GASKET
ACDV249	12 x (W/6-25)	WOOLPILE
ACDV251	2 (PAIRS)	LEVER HANDLES
ACDV254	12 (PAIRS)	INFILL BLOCKS
ACDV258 (SL)	2	50/50 CYLINDER
ACDV262	22	SCREW FOR LOCK
ACDV264	15	SCREW FOR KEEPS
ACDV270	11	FIXING PLATE FOR KEEPS
ACDV272	2 x (W-62) + 20 x (H-57)	SEALING GASKET (cut to fit)
ACDV274	2	D-HANDLE/HINGE
ACDV275	6	CORNER MOULDS
ACDV76	1 (PAIR)	END CAP FOR DV76
ACDV177	1 (PAIR)	END CAP FOR DV177
ACDV722/23	1	MULTI-POINT LOCK
ACDV727	1	SECONDARY DOOR LOCK
ACDV737 & 738	1 EACH	TOP & BOTTOM SHOOTBOLTS
ACDV733	2	SHOOTBOLT KEEP
ACDR052	4	SCREWS FOR THRESHOLD
ACET060	44	SCREW FOR DV68 & DV76
ACET123	11	SCREW FOR KEEP
ACET133	6	SCREW FOR ACDV225/6
ACMX01604 (SL)	2	HALF CYLINDER
ACVL032	2 x (H-84)	DV76 FLIPPER GASKET
ACW20024	2	CHEVRON FOR DV14
ACDV292	1	BRUSH PILE CARRIER
ACSR012A	1 x (W-90) + 2 x (H-55)	WOOLPILE
ACDV295	1 PER SASH FRAME	GLASS ADJUSTER KIT
ACDV308	2	MAGNETIC CATCH

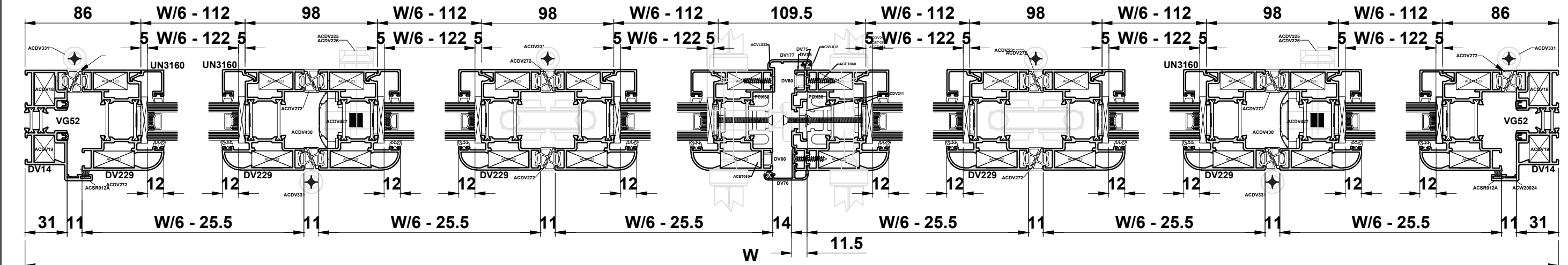


GLASS DEDUCTIONS

DV171N	6 x	W/6 - 122	H - 164
DV173N	6 x	W/6 - 122	H - 169

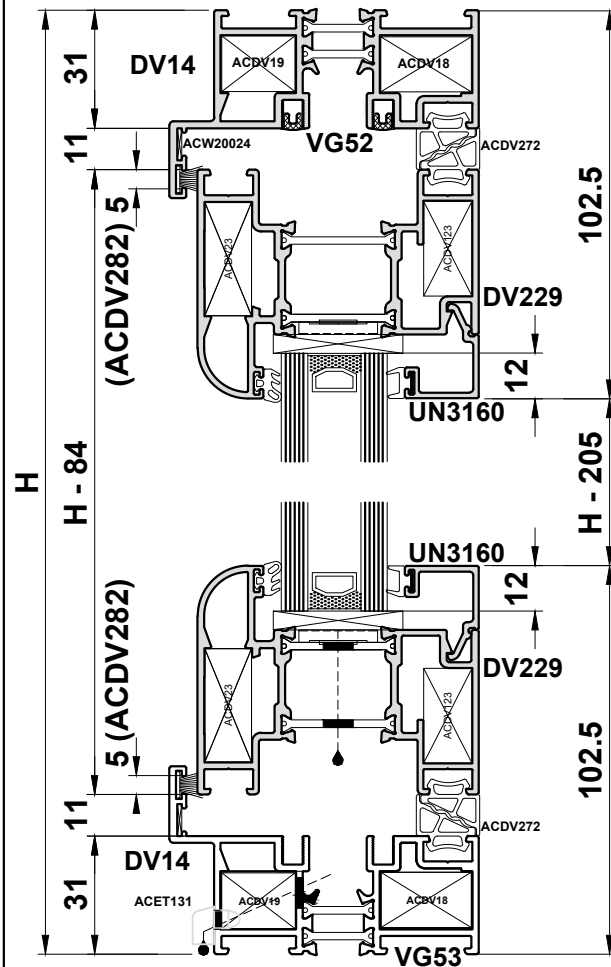
IMPORTANT NOTE:

- When using DV220 or DV221 Slim Sash please take the following into account:
- DV220 & DV221 width and height deductions remain the same as standard sashes.
- Beads, Glazing and Glazing Gaskets will need to increase by 10mm (Example: H-205 will change to H-195).
- ACDV123 or ACDV29 Cleats must be used.
- Use DV177 Rebate Adapter on exterior (Example: Interior = DV76 & Exterior = DV177)
- Use PCX38 in place of PCX38
- Use handles suitable for DV220 / DV221 refer to Section B for compatible options
- Please refer to Lock Table in section E



Do Not Scale From This Drawing

Cutting Information



PROFILE CUTTING SCHEDULE

DV14		2		W
DV14		2		H
DV229		2		W-87.5
DV229		2		H-84
Glazing Bead		2		W-175.5
Glazing Bead		2		H-205
DV60		2		H-84
DV60		1		H-62
DV76		1		H-84
VG52		4		W-62
VG52		4		H-62
PCX38		1		H-84

Note: PCX15 required for leaf heights over 2285mm.

GLASS SIZES	1 X	W - 185.5
		H - 181

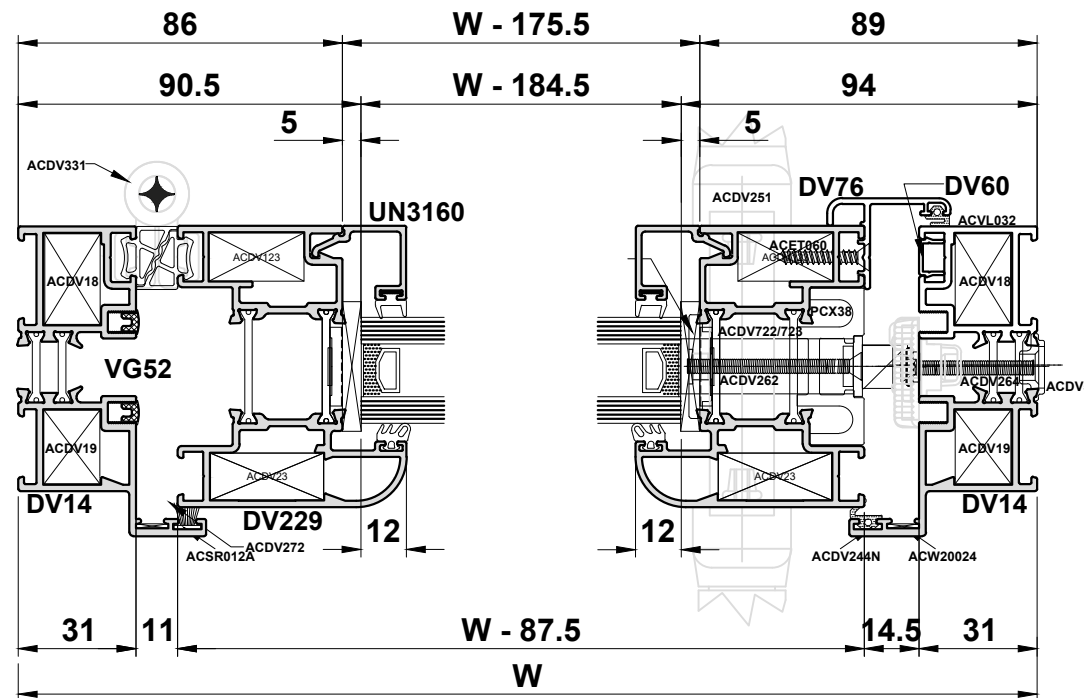
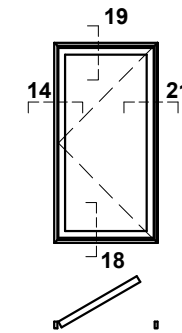
FOR ENHANCED WEATHER PERFORMANCE REPLACE ACDV244N FLIPPER GASKET WITH ACDV268 BUBBLE GASKET

ACCESSORIES

ACDV18	4	CLEAT FOR DV14
ACDV19	4	CLEAT FOR DV14
ACDV23	4	CLEAT FOR DV228 & DV229
ACDV123	4	CLEAT FOR DV228 & DV229
ACDV080	1	RUN UP BLOCK
ACDV331	4	INTERMEDIATE HINGE
ACDV241	11	FIXING BLOCK FOR LOCK
ACDV244N	2 x (W-90) + 2 x (H-90)	FLIPPER GASKET
ACDV251	1 (PAIR)	LEVER HANDLES
ACDV258 (SL)	1	50/50 CYLINDER
ACDV262	11	SCREW FOR LOCK
ACDV264	11	SCREW FOR KEEPS
ACDV272	4 x (W-90) + 2 x (H-90)	SEALING GASKET
ACDV275	1	CORNER MOULDS
ACDV76	1 (PAIR)	END CAP FOR DV76
ACDV722/23	1	MULTI-POINT LOCK
ACET060	11	SCREW FOR DV76
ACET131	2	DRAIN HOLE COVER
ACDV523	11	EXTERNAL GLAZING GASKET
ACVG31	2 x (W-181) + 2 x (H-181)	INTERNAL GLAZING GASKET
ACVG34	2 x (W-181) + 2 x (H-181)	INTERNAL GLAZING GASKET
ACVL032	1 x (H-84)	DV76 FLIPPER GASKET
ACW20024	4	CHEVRON FOR DV14
ACSR012A	2 x (W-90) + 2 x (H-90)	WOOLPILE
ACDV295	1 PER SASH FRAME	GLASS ADJUSTER KIT

+ Optional: 1 x ACDV396 Shootbolt Keep if Sash is over 2300mm high

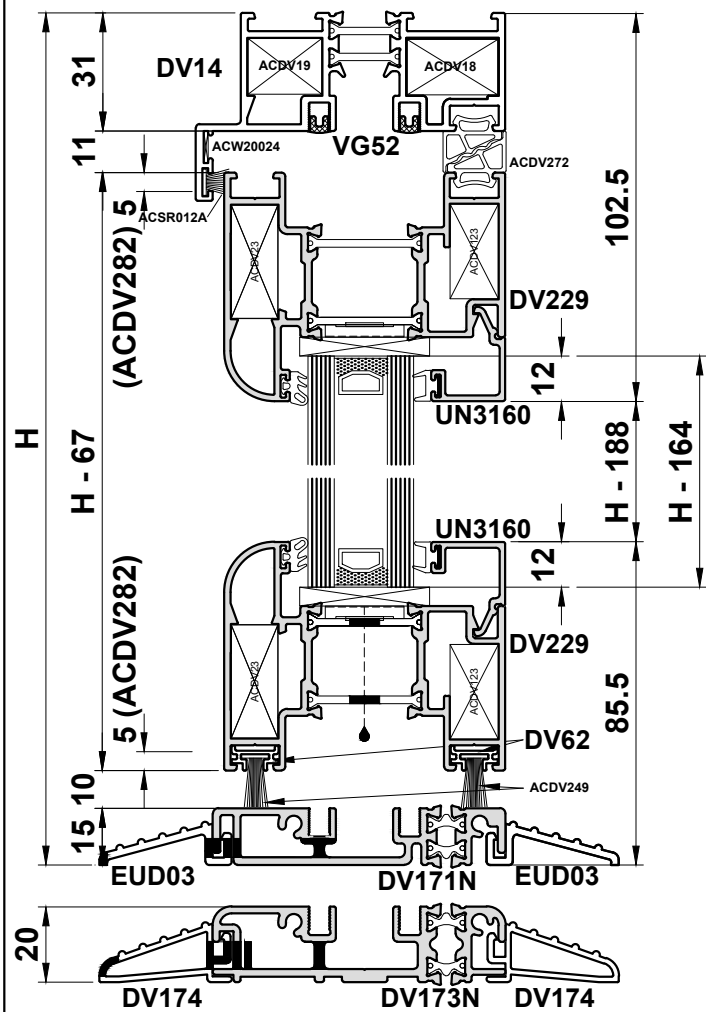
Single Door



Do Not Scale From This Drawing

IMPORTANT NOTE:
Min. Sash Width 700mm / Max. Sash Width 1200mm
Max. Sash Weight 100kg
Max. Sash Height 2500mm Dependant On Site Conditions
Always Measure In the Last Vent.

Cutting Information



PROFILE CUTTING SCHEDULE

DV14		1		W
DV14		2		H
DV171N		1		W-66
EUD03		1		W-66
EUD03		1		W-103
DV229		2		W-87.5
DV229		2		H-67
DV60		2		H-67
DV60		1		H-62
DV62		2		W-87
Glazing Bead		2		W-172
Glazing Bead		2		H-188
DV76		1		H-67
VG52		4		W-62
VG52		4		H-46
PCX38		1		H-67
VL72		1		W-144

PROFILE CUTTING SCHEDULE (DV173N)

DV173N		1		W-66
DV174		1		W-66
DV174		1		W-103
DV229		2		H-72
Glazing Bead		2		H-193
DV76		1		H-72
PCX38		1		H-72

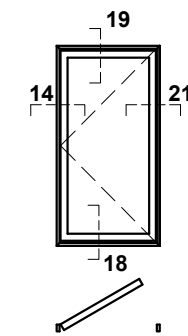
Note: PCX15 required for leaf heights over 2285mm.

ACCESSORIES

ACDV18	2	CLEAT FOR DV14
ACDV19	2	CLEAT FOR DV14
ACDV23	4	CLEAT FOR DV228 & DV229
ACDV123	4	CLEAT FOR DV228 & DV229
ACDV171/173	2	THRESHOLD ENDCAP
ACDV331	4	INTERMEDIATE HINGE
ACDV241	11	FIXING BLOCK FOR LOCK
ACDV244N	2 x (W-90) + 2 x (H-65)	FLIPPER GASKET
ACDV249	2 x (W-84)	WOOLPILE
ACDV251	1 (PAIR)	LEVER HANDLES
ACDV254	1 (PAIR)	INFILL BLOCK
ACDV258 (SL)	1	50/50 CYLINDER
ACDV262	11	SCREW FOR LOCK
ACDV264	11	SCREW FOR KEEPS
ACDV272	2 x (W-90) + 2 x (H-51)	SEALING GASKET
ACDV275	1	CORNER MOULDS
ACDV76	1 (PAIR)	END CAP FOR DV76
ACDV722/23	1	MULTI-POINT LOCK
ACDR052	4	SCREWS FOR THRESHOLD
ACET060	13	SCREW FOR DV76
ACDV523	11	FIXING BLOCK FOR KEEPS
ACVG31	2 x (W-181) + 2 x (H-164)	EXTERNAL GLAZING GASKET
ACVG34	2 x (W-181) + 2 x (H-164)	INTERNAL GLAZING GASKET
ACVL032	1 x (H-84)	DV76 FLIPPER GASKET
ACW20024	2	CHEVRON FOR DV14
ACSR012A	1 x (W-90) + 2 x (H-55)	WOOLPILE
ACVL072	1 pair	VL72 END CAPS
ACDV295	1 PER SASH FRAME	GLASS ADJUSTER KIT

+ Optional: 1 x ACDV396 Shootbolt Keep if Sash is over 2300mm high

Single Door



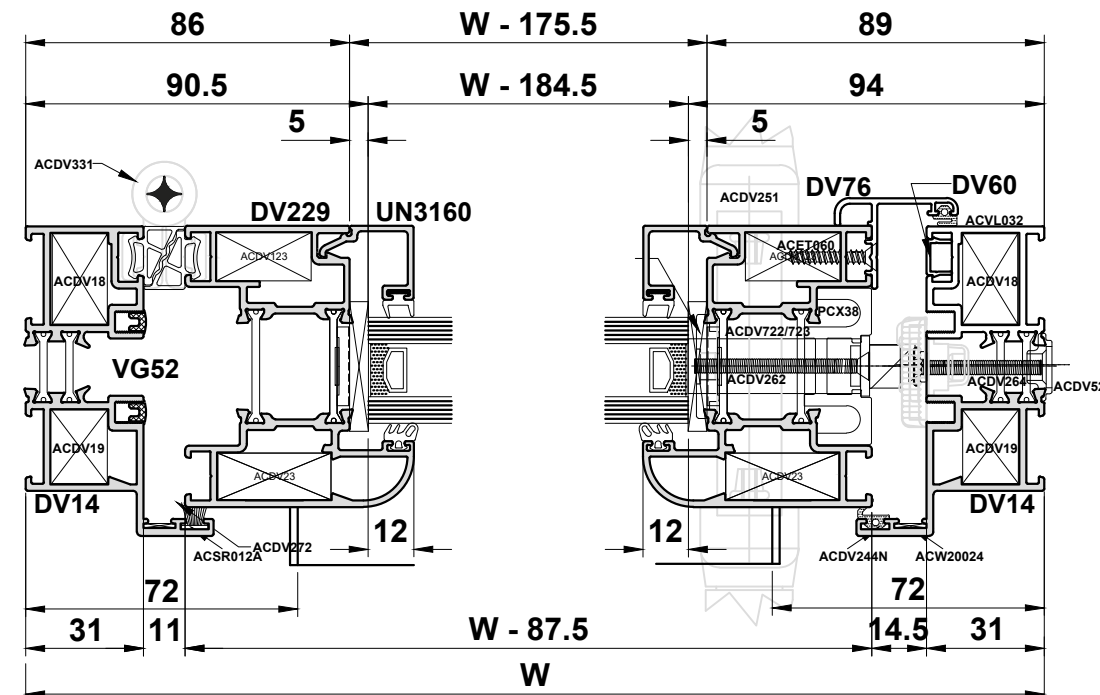
IMPORTANT NOTE:

Min. Sash Width 700mm / Max. Sash Width 1200mm
Max. Sash Weight 100kg
Max. Sash Height 2500mm Dependant On Site Conditions
Always Measure In the Last Vent.

GLASS DEDUCTIONS

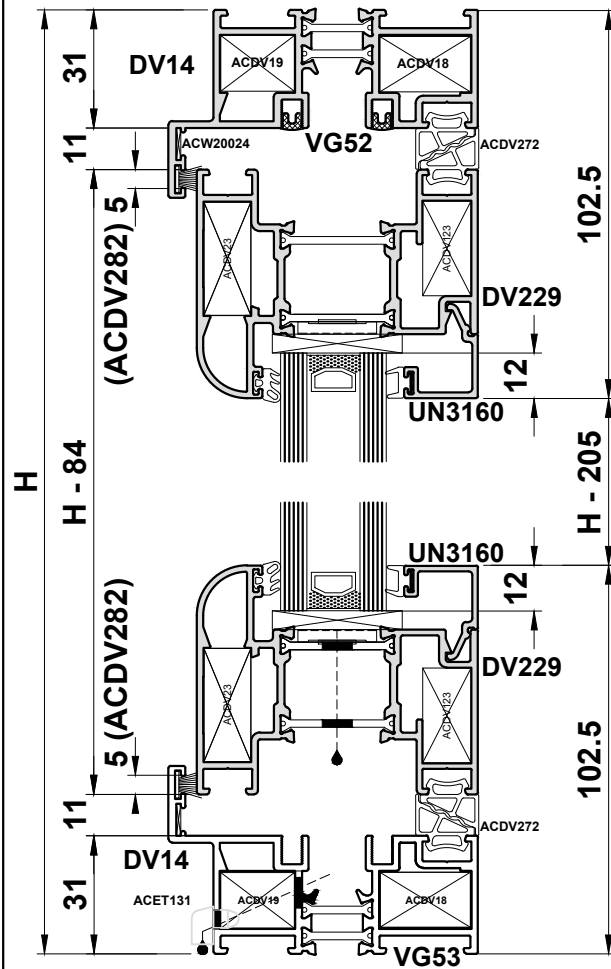
DV171N	1 x	W - 185.5	H - 164
DV173N	1 x	W - 185.5	H - 169

FOR ENHANCED WEATHER PERFORMANCE REPLACE ACDV244N FLIPPER GASKET WITH ACDV268 BUBBLE GASKET



Do Not Scale From This Drawing

Cutting Information



PROFILE CUTTING SCHEDULE

DV14		2		W
DV14		2		H
DV229		4		W/2 - 53.5
DV229		4		H-84
DV60		4		H-84
Glazing Bead		4		W/2-140.5
Glazing Bead		4		H-205
DV75		2		H-84
DV76		1		H-84
DV177		1		H-84
VG52		4		W-62
VG52		4		H-62
PCX38		2		H-84
VL72		2		W/2-111.5

Note: PCX15 required for leaf heights over 2285mm.

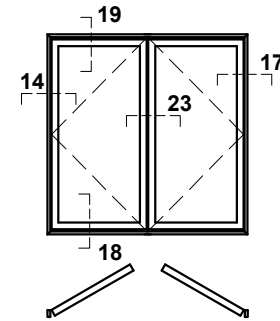
GLASS SIZES	W/2 - 150.5
2 X	H - 181

FOR ENHANCED WEATHER PERFORMANCE REPLACE ACDV244N FLIPPER GASKET WITH ACDV268 BUBBLE GASKET

ACCESSORIES

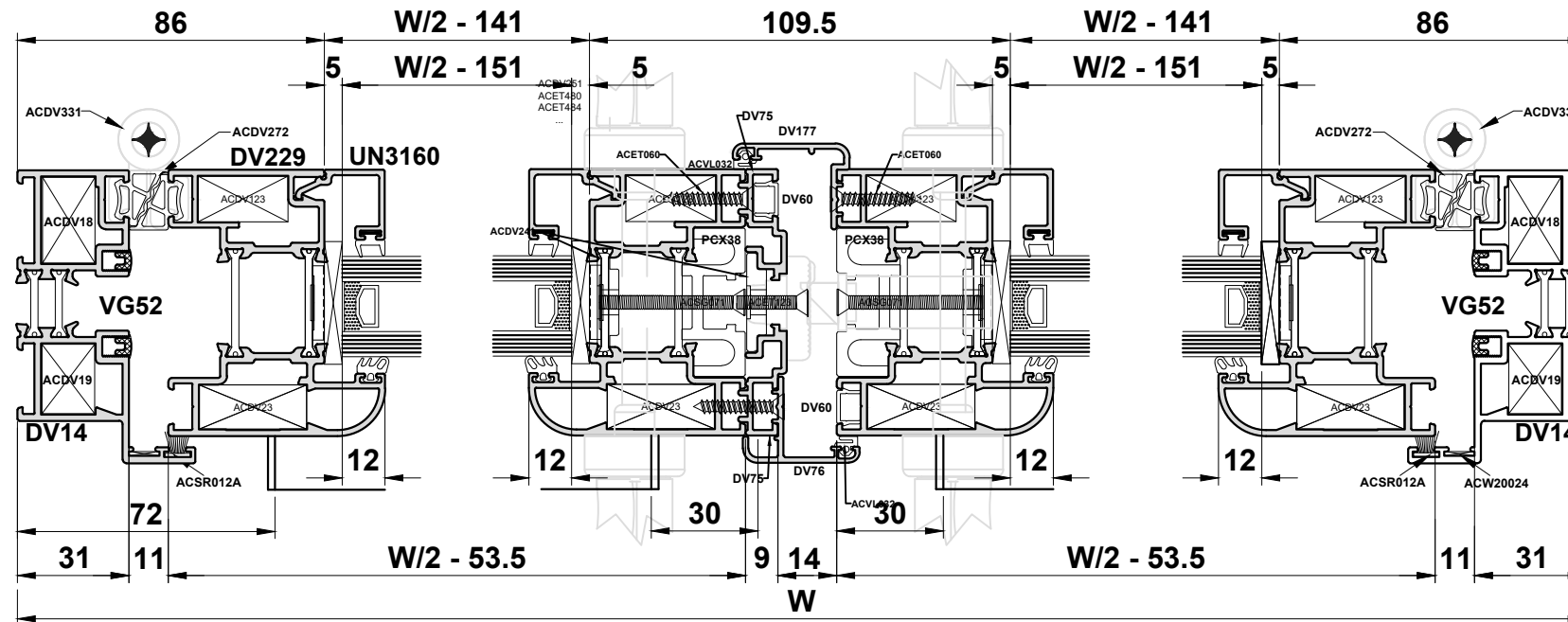
ACDV18	4	CLEAT FOR DV14
ACDV19	4	CLEAT FOR DV14
ACDV23	8	CLEAT FOR DV228 & DV229
ACDV123	8	CLEAT FOR DV228 & DV229
ACDV080	2	RUN UP BLOCK
ACDV331	8	INTERMEDIATE HINGE
ACDV241	11	FIXING BLOCK FOR LOCK
ACDV244N	2 x (W-90) + 2 x (H-90)	FLIPPER GASKET
ACDV251	2 (PAIRS)	LEVER HANDLES
ACDV258 (SL)	2	50/50 CYLINDER
ACDV262	22	SCREW FOR LOCK
ACDV264	15	SCREW FOR KEEPS
ACDV270	9	FIXING PLATE FOR KEEPS
ACDV272	2 x (W-90) + 4 x (H-90)	SEALING GASKET
ACDV275	1	CORNER MOULDS
ACDV76	1 (PAIR)	END CAP FOR DV76
ACDV177	1 (PAIR)	END CAP FOR DV177
ACDV722/23	1	MULTI-POINT LOCK
ACDV727	1	SECONDARY DOOR LOCK
ACDV737 & 738	1 EACH	TOP & BOTTOM SHOOTBOLTS
ACDV733	2	SHOOTBOLT KEEP
ACET060	55	SCREW FOR DV68 & DV76
ACET123	11	SCREW FOR KEEP
ACET131	2	DRAIN HOLE COVER
ACVG31	4 x (W/2-141) + 4 x (H-181)	EXTERNAL GLAZING GASKET
ACVG34	4 x (W/2-141) + 4 x (H-181)	INTERNAL GLAZING GASKET
ACVL032	2 x (H-84)	DV76 FLIPPER GASKET
ACW20024	4	CHEVRON FOR DV14
ACSR012A	2 x (W-90) + 2 x (H-90)	WOOLPILE
ACVL072	2 PAIRS	CAST END CAPS FOR VL72
ACDV295	1 PER SASH FRAME	GLASS ADJUSTER KIT

Double Swing Door



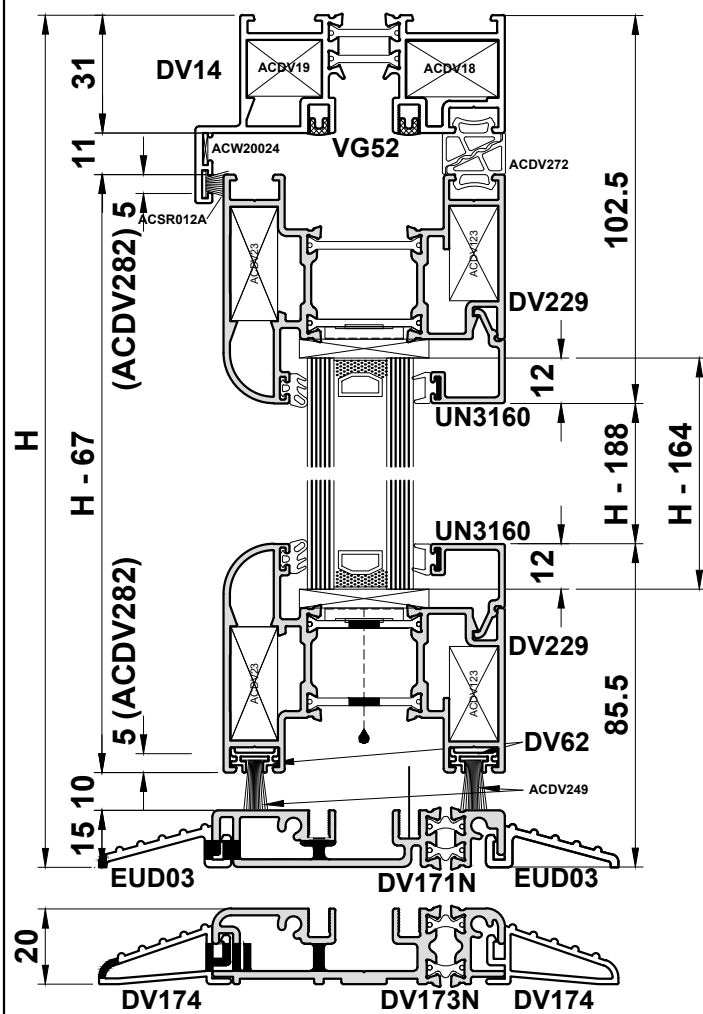
IMPORTANT NOTE:

Min. Sash Width 700mm / Max. Sash Width 1200mm
Max. Sash Weight 100kg
Max. Sash Height 2500mm Dependant On Site Conditions
Always Measure In the Last Vent.



Do Not Scale From This Drawing

Cutting Information



PROFILE CUTTING SCHEDULE

DV14		1		W
DV14		2		H
DV171N		1		W-66
EUD03		1		W-66
EUD03		1		W-103
DV229		4		W/2-53.5
DV229		4		H-67
DV76		1		H-67
DV177		1		H-67
DV60		4		H-67
DV62		4		W/2-67
Glazing Bead		4		W/2-140.5
Glazing Bead		4		H-188
DV75		2		H-67
VG52		4		W-62
VG52		4		H-46
PCX38		2		H-67

PROFILE CUTTING SCHEDULE (DV173N)

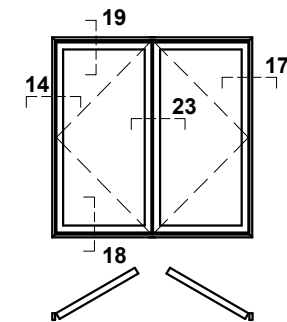
DV173N		1		W-66
DV174		1		W-66
DV174		1		W-103
DV229		4		H-72
DV76		2		H-72
DV68		2		H-72
Glazing Bead		8		H-193
PCX38		2		H-72

Note: PCX15 required for leaf heights over 2285mm.

ACCESSORIES

ACDV18	2	CLEAT FOR DV14
ACDV19	2	CLEAT FOR DV14
ACDV23	8	CLEAT FOR DV228 & DV229
ACDV123	8	CLEAT FOR DV228 & DV229
ACDV171/173	2	THRESHOLD ENDCAP
ACDV331	8	INTERMEDIATE HINGE
ACDV241	11	FIXING BLOCK FOR LOCK
ACDV244N	1 x (W-90) + 2 x (H-65)	FLIPPER GASKET
ACDV249	4 x (W/2-53)	WOOLPILE
ACDV251	2 (PAIRS)	LEVER HANDLES
ACDV254	3 (PAIRS)	INFILL BLOCK
ACDV258 (SL)	2	50/50 CYLINDER
ACDV262	22	SCREW FOR LOCK
ACDV264	15	SCREW FOR KEEPS
ACDV270	9	FIXING PLATE FOR KEEPS
ACDV271	11	PACKER FOR PCX38
ACDV272	2 x (W-90) + 4 x (H-51)	SEALING GASKET
ACDV275	1	CORNER MOULDS
ACDV76	1 (PAIR)	END CAP FOR DV76
ACDV177	1 (PAIR)	END CAP FOR DV177
ACDV722/23	1	MULTI-POINT LOCK
ACDV727	1	SECONDARY DOOR LOCK
ACDV737 & 738	1 EACH	TOP & BOTTOM SHOOTBOLTS
ACDV733	2	SHOOTBOLT KEEP
ACDR052	4	SCREWS FOR THRESHOLD
ACET060	91	SCREW FOR DV68 & DV76
ACET123	11	SCREW FOR KEEP
ACVG31	2 x W/2 + 4 x H	EXTERNAL GLAZING GASKET
ACVG34	2 x W/2 + 4 x H	INTERNAL GLAZING GASKET
ACVL032	2 x (H-84)	DV76 FLIPPER GASKET
ACW20024	2	CHEVRON FOR DV14
ACDV292	1	BRUSH PILE CARRIER
ACSR012A	1 x (W-90) + 2 x (H-55)	WOOLPILE
ACDV295	1 PER SASH FRAME	GLASS ADJUSTER KIT

Double Swing Door



IMPORTANT NOTE:
Min. Sash Width 700mm / Max. Sash Width 1200mm
Max. Sash Weight 100kg
Max. Sash Height 2500mm Dependant On Site Conditions
Always Measure In the Last Vent.

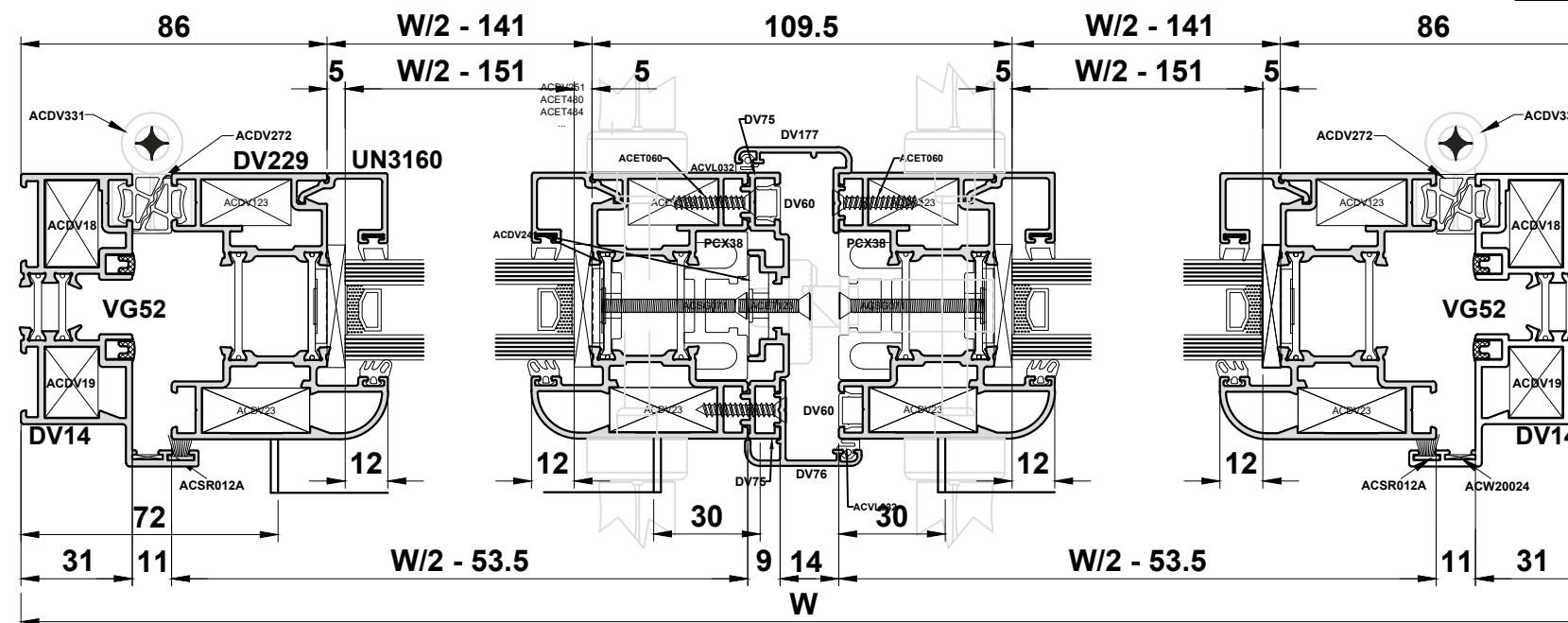
GLASS DEDUCTIONS

DV171N	2 x	W/2 - 150.5	H - 164
DV173N	2 x	W/2 - 150.5	H - 169

FOR ENHANCED WEATHER PERFORMANCE REPLACE ACDV244N FLIPPER GASKET WITH ACDV268 BUBBLE GASKET

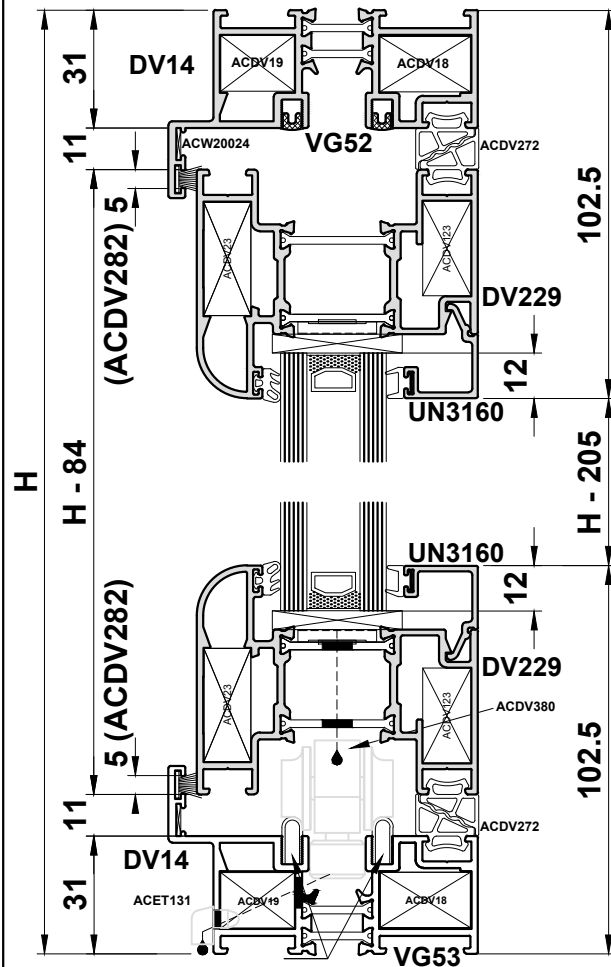
IMPORTANT NOTE:

- When using DV220 or DV221 Slim Sash please take the following into account:
- DV220 & DV221 width and height deductions remain the same as standard sashes.
- Beads, Glazing and Glazing Gaskets will need to increase by 10mm (Example: H-205 will change to H-195).
- ACDV123 or ACDV29 Cleats must be used.
- Use DV177 Rebate Adapter on exterior (Example: Interior = DV76 & Exterior = DV177)
- Use PCX38 in place of PCX38
- Use handles suitable for DV220 / DV221 refer to Section B for compatible options
- Please refer to Lock Table in section E



Do Not Scale From This Drawing

Cutting Information



PROFILE CUTTING SCHEDULE

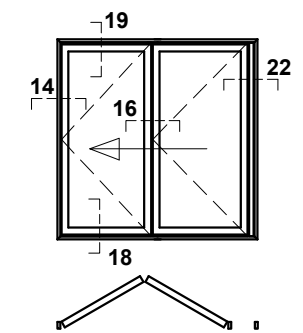
DV14		2		W
DV14		2		H
DV229		4		W/2 - 71
DV229		4		H-84
DV32		1		H-94
DV56		1		H-84
DV60		2		H-84
DV60		1		H-67
Glazing Bead		4		W/2-158.5
Glazing Bead		4		H-205
VG52		2		W-62
VG52		4		H-62
VG53		2		W-62

GLASS SIZES	2 X	W/2 - 168.5
		H - 181

ACCESSORIES

ACDV18	4	CLEAT FOR DV14
ACDV19	4	CLEAT FOR DV14
ACDV23	8	CLEAT FOR DV228 & DV229
ACDV123	8	CLEAT FOR DV228 & DV229
ACDV225 or 226	1	SHOOTBOLT HANDLE
ACDV427	1	SHOOTBOLT GEARBOX
ACDV328	1 (PAIR)	SHOOTBOLT ROD
ACDV229	1 (PAIR)	SHOOTBOLT GUIDE
ACDV331	12	INTERMEDIATE HINGE
ACDV274	1	D-HANDLE
ACDV241	11	FIXING BLOCK FOR LOCK
ACDV56	1 (PAIR)	END CAP FOR DV56
ACDV272	4 x (W-90) + 10 x (H-90)	SEALING GASKET (cut to fit)
ACDV275	2	CORNER MOULDS
ACDV380	1	DV32 BOTTOM ROLLER
ACDV381	1	DV32 TOP GUIDE
ACDV282	4	WOOLPILE CARRIER
ACET060	15	SCREW FOR DV56
ACET133	2	SCREW FOR ACDV225/6
ACET131	2	DRAIN HOLE COVER
ACMX01604 (SL)	1	HALF CYLINDER
ACSR012A	2 x (W-90) + 2 x (H-90)	WOOLPILE
ACSR012A	4 x 47mm	WOOLPILE FOR ACDV282
ACVG31	4 x (W/2-168) + 4 x (H-181)	EXTERNAL GLAZING GASKET
ACVG34	4 x (W/2-168) + 4 x (H-181)	INTERNAL GLAZING GASKET
ACVL032	1 x (H-84)	DV56 FLIPPER GASKET
ACW20024	4	CHEVRON FOR DV14
ACDV430	1	GEARBOX COVER
ACDV295	1 PER SASH FRAME	GLASS ADJUSTER KIT
ACDV385	1	FLOATING MULLION GUIDE

Double Slide Door

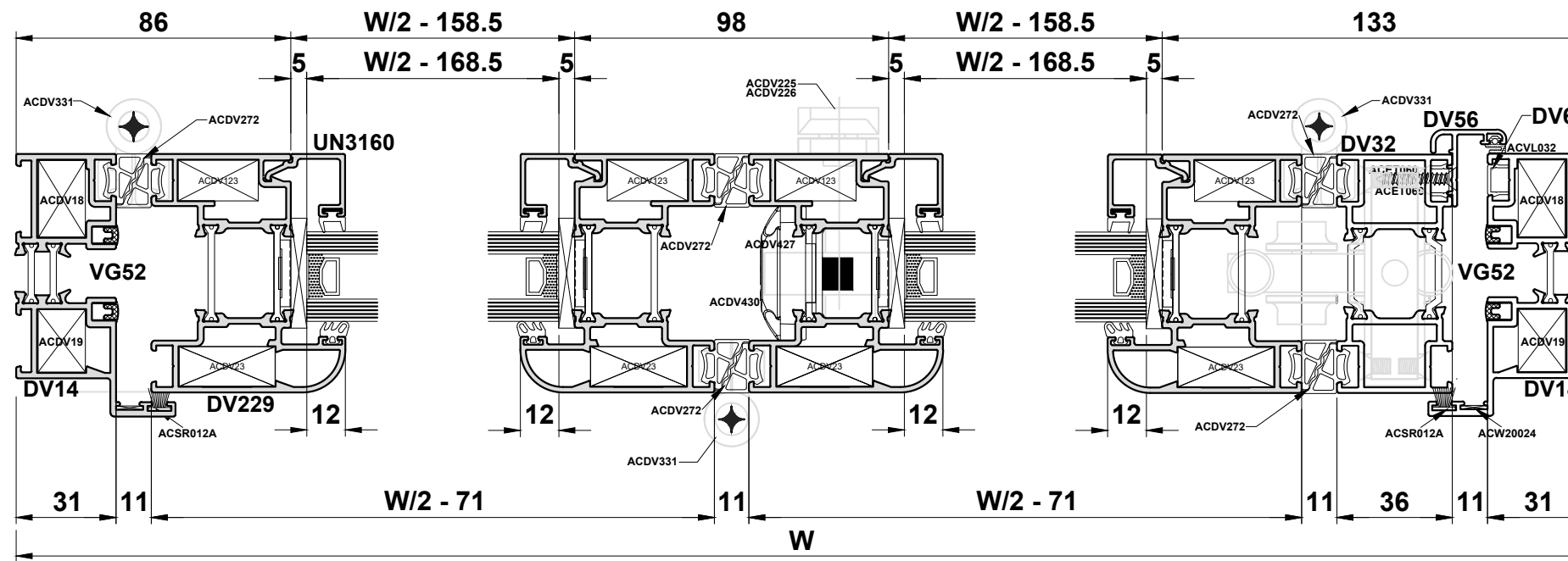


NOTE:
This design does not offer external access or an individual traffic door.

IMPORTANT NOTE:
Min. Sash Width 700mm / Max. Sash Width 1200mm
Max. Sash Weight 100kg
Max. Sash Height 2500mm Dependant On Site Conditions
Always Measure In the Last Vent.

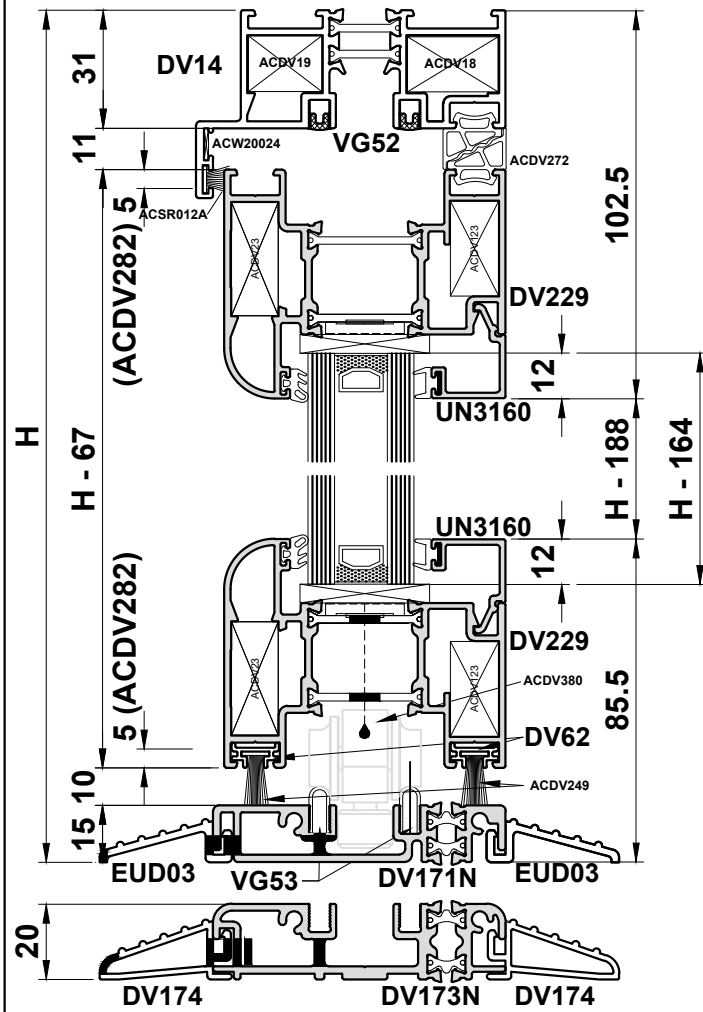
IMPORTANT NOTE:

- When using DV220 or DV221 Slim Sash please take the following into account: DV220 & DV221 width and height deductions remain the same as standard sashes.
- Beads, Glazing and Glazing Gaskets will need to increase by 10mm (Example: H-205 will change to H-195).
- ACDV123 or ACDV29 Cleats must be used.
- Use DV177 Rebate Adapter on exterior (Example: Interior = DV76 & Exterior = DV177)
- Use PCX38 in place of PCX38
- Use handles suitable for DV220 / DV221 refer to Section B for compatible options
- Please refer to Lock Table in section E



Do Not Scale From This Drawing

Cutting Information



PROFILE CUTTING SCHEDULE

DV14	1	W
DV14	2	H
DV171N	1	W-66
EUD03	1	W-66
EUD03	1	W-103
DV229	4	W/2-71
DV229	4	H-67
DV32	1	H-77
DV56	1	H-67
DV62	1	W/2-85
DV62	3	W/2-99
Glazing Bead	4	W/2-158.5
Glazing Bead	4	H-188
DV60	3	H-67
VG52	2	W-62
VG52	4	H-46
VG53	2	W-62

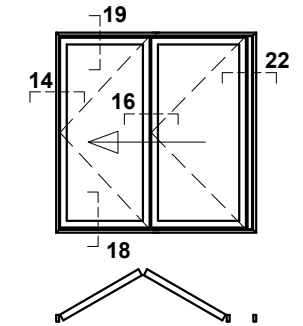
PROFILE CUTTING SCHEDULE (DV173N)

DV173N	1	W-66
DV174	1	W-66
DV174	1	W-103
DV229	4	H-72
DV32	1	H-82
DV56	2	H-72
Glazing Bead	4	H-193

ACCESSORIES

ACDV18	2	CLEAT FOR DV14
ACDV19	2	CLEAT FOR DV14
ACDV23	8	CLEAT FOR DV228 & DV229
ACDV123	8	CLEAT FOR DV228 & DV229
ACDV171/173	2	THRESHOLD ENDCAP
ACDV225 or 226	1	SHOOTBOLT HANDLE
ACDV427	1	SHOOTBOLT GEARBOX
ACDV328	1 (PAIR)	SHOOTBOLT ROD
ACDV229	1 (PAIR)	SHOOTBOLT GUIDE
ACDV331	12	INTERMEDIATE HINGE
ACDV274	1	D-HANDLE
ACDV249	4 x (W/2-53)	WOOLPILE
ACDV249	2 x 47mm	WOOLPILE
ACDV254	5 (PAIRS)	INFILL BLOCK
ACDV272	2 x (W-90) + 10 x (H-51)	SEALING GASKET (cut to fit)
ACDV275	2	CORNER MOULDS
ACDV380	1	DV32 BOTTOM ROLLER
ACDV381	1	DV32 TOP GUIDE
ACDV282	4	WOOLPILE CARRIER
ACDV56	1 (PAIR)	END CAP FOR DV56
ACDR052	4	SCREWS FOR THRESHOLD
ACET060	13	SCREW FOR DV56
ACET133	2	SCREW FOR ACDV225/6
ACMX01604 (SL)	1	HALF CYLINDER
ACSR012A	1 x (W-90) + 2 x (H-55)	WOOLPILE
ACSR012A	2 x 47mm	WOOLPILE FOR ACDV282
ACVG31	2 x (W/2-168) + 2 x (H-188)	EXTERNAL GLAZING GASKET
ACVG34	2 x (W/2-168) + 2 x (H-188)	INTERNAL GLAZING GASKET
ACVL032	1 x (H-84)	DV56 FLIPPER GASKET
ACW20024	2	CHEVRON FOR DV14
ACDV430	1	GEARBOX COVER
ACDV295	1 PER SASH FRAME	GLASS ADJUSTER KIT
ACDV385	1	FLOATING MULLION GUIDE

Double Slide Door



NOTE:

This design does not offer external access or an individual traffic door.

IMPORTANT NOTE:

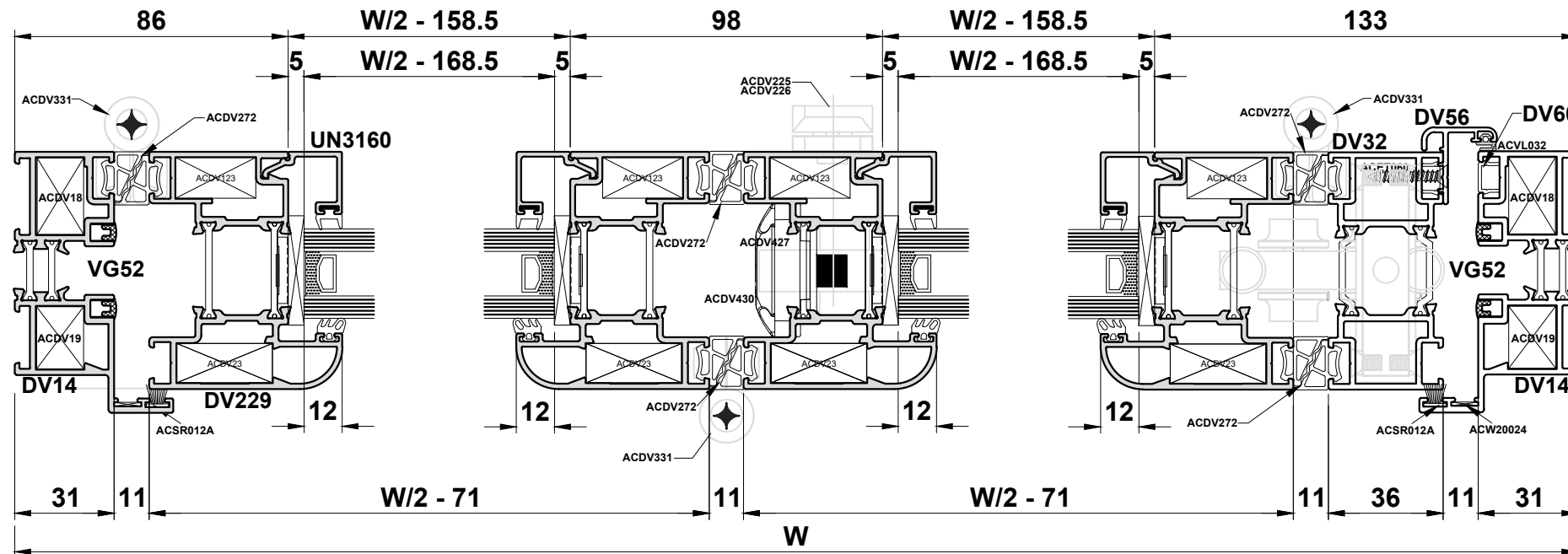
Min. Sash Width 700mm / Max. Sash Width 1200mm
Max. Sash Weight 100kg
Max. Sash Height 2500mm Dependant On Site Conditions
Always Measure In the Last Vent.

GLASS DEDUCTIONS

DV171N	2 x	W/2 - 168.5	H - 164
DV173N	2 x	W/2 - 168.5	H - 169

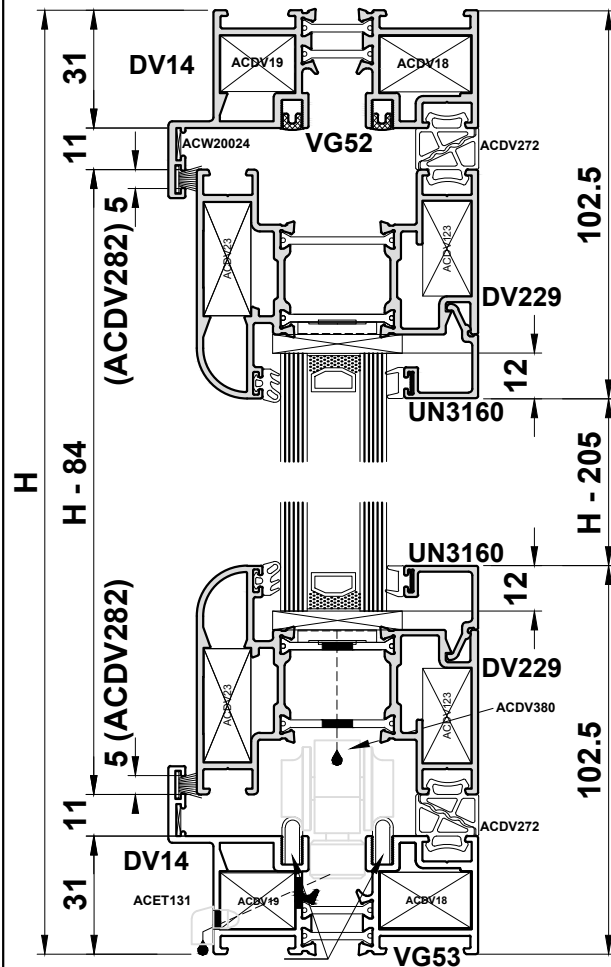
IMPORTANT NOTE:

- When using DV220 or DV221 Slim Sash please take the following into account: DV220 & DV221 width and height deductions remain the same as standard sashes.
- Beads, Glazing and Glazing Gaskets will need to increase by 10mm (Example: H-205 will change to H-195).
- ACDV123 or ACDV29 Cleats must be used.
- Use DV177 Rebate Adapter on exterior (Example: Interior = DV76 & Exterior = DV177)
- Use PCX38 in place of PCX38
- Use handles suitable for DV220 / DV221 refer to Section B for compatible options
- Please refer to Lock Table in section E



Do Not Scale From This Drawing

Cutting Information



PROFILE CUTTING SCHEDULE

DV14		2		W
DV14		2		H
DV229		10		W/5-35.5
DV229		10		H-84
DV38		1		H-94
DV60		4		H-84
DV76		2		H-84
Glazing Bead		10		W/5-123
Glazing Bead		10		H-205
VG52		2		W-62
VG52		4		H-62
VG53		2		W-62
PCX38		1		H-84
PCX38		1		H-84

Note: PCX15 required for leaf heights over 2285mm.

GLASS SIZES	W/5 - 133
5 X	H - 181

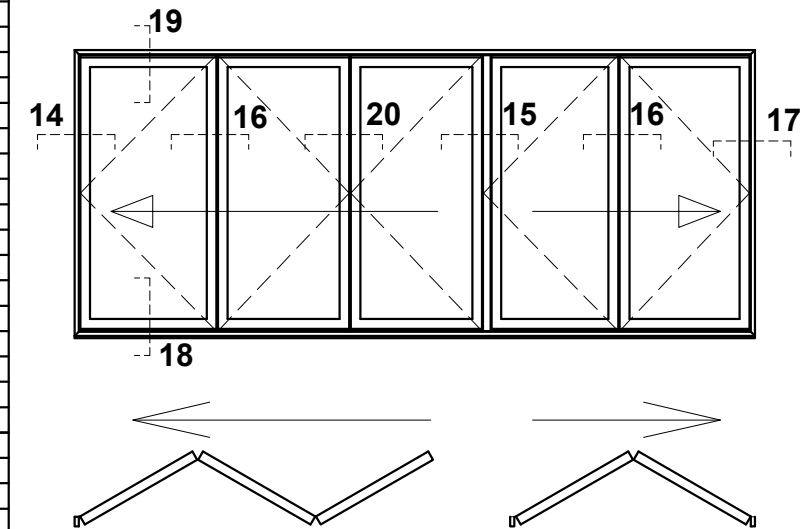
IMPORTANT NOTE:

- When using DV220 or DV221 Slim Sash please take the following into account:
DV220 & DV221 width and height deductions remain the same as standard sashes.
- Beads, Glazing and Glazing Gaskets will need to increase by 10mm (Example: H-205 will change to H-195).
- ACDV123 or ACDV29 Cleats must be used. Use DV177 Rebate Adapter on exterior (Example: Interior = DV76 & Exterior = DV177)
- Use PCX38 in place of PCX38
- Use handles suitable for DV220 / DV221 refer to Section B for compatible options
- Please refer to Lock Table in section E

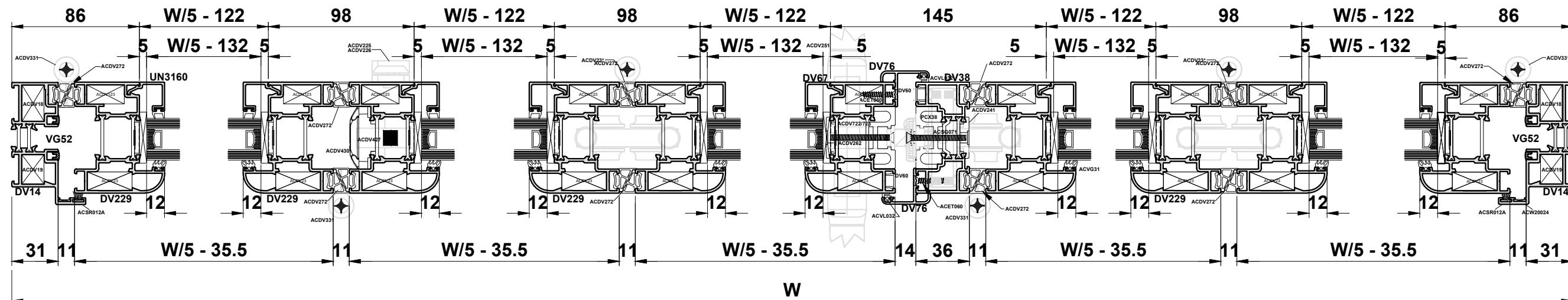
ACCESSORIES

ACDV18	4	CLEAT FOR DV14
ACDV19	4	CLEAT FOR DV14
ACDV23	20	CLEAT FOR DV228 & DV229
ACDV123	20	CLEAT FOR DV228 & DV229
ACDV080	1	RUN UP BLOCK
ACDV225 or 226	2	SHOOTBOLT HANDLE
ACDV427	2	SHOOTBOLT GEARBOX
ACDV328	2 (PAIRS)	SHOOTBOLT ROD
ACDV229	2 (PAIRS)	SHOOTBOLT GUIDE
ACDV430	2	SHOOTBOLT COVER
ACDV331	20	INTERMEDIATE HINGE
ACDV232	1	BOTTOM ROLLER HINGE
ACDV233	1	TOP GUIDE HINGE
ACDV274	2	D-HANDLE/HINGE
ACDV241	22	FIXING BLOCK FOR LOCK
ACDV251	1 (PAIR)	LEVER HANDLES
ACDV258 (SL)	1	50/50 CYLINDER
ACDV262	22	SCREW FOR LOCK & KEEPS
ACDV76	2 (PAIRS)	END CAP FOR DV76
ACDV272	4 x (W-62) + 20 x (H-62)	SEALING GASKET
ACDV275	5	CORNER MOULDS
ACDV380	1	DV32 BOTTOM ROLLER
ACDV381	1	DV32 TOP GUIDE
ACDV282	4	WOOLPILE CARRIER
ACDV722/23	1	MULTI-POINT LOCK
ACET060	26	SCREW FOR DV76 & HINGES
ACET133	4	SCREW FOR ACDV225/6
ACET131	2	DRAIN HOLE COVER
ACMX01604 (SL)	2	HALF CYLINDER
ACSR012A	2 x (W-90) + 2 x (H-90)	WOOLPILE
ACSR012A	2 x 47mm	WOOLPILE FOR ACDV282
ACVG31	10 x (W/5-123) + 10 x (H-181)	EXTERNAL GLAZING GASKET
ACVG34	10 x (W/5-123) + 10 x (H-181)	INTERNAL GLAZING GASKET
ACVL032	2 x (H-84)	DV76 FLIPPER GASKET
ACW20024	4	CHEVRON FOR DV14
ACDV295	1 PER SASH FRAME	GLASS ADJUSTER KIT
ACDV308	1	MAGNETIC CATCH
ACDV385	1	FLOATING MULLION GUIDE

3/2 Door

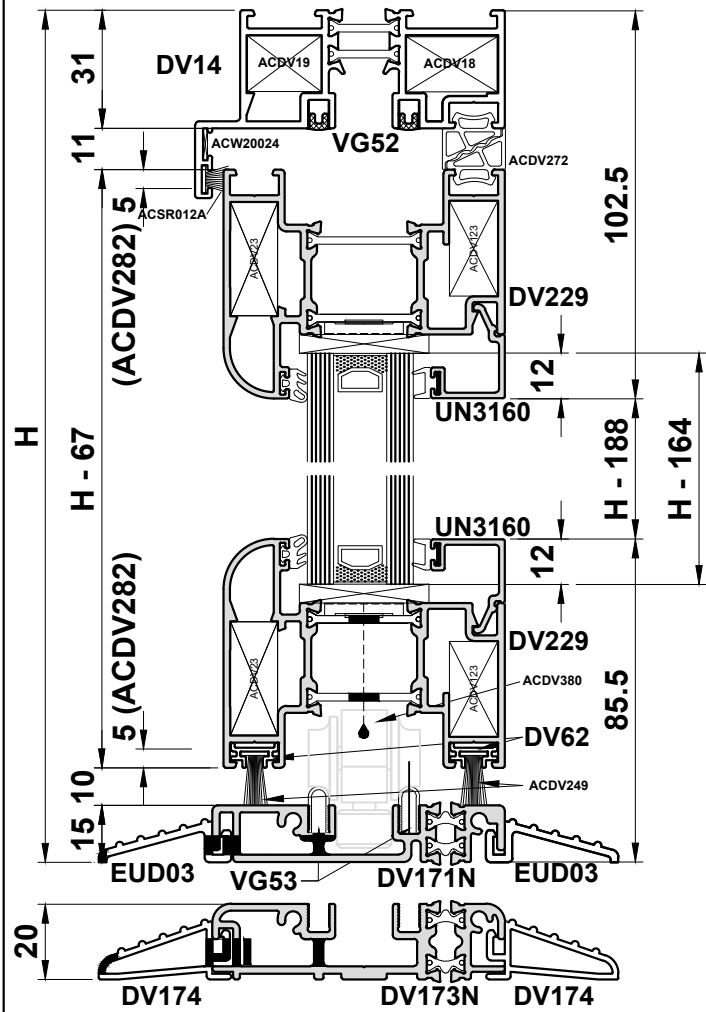


IMPORTANT NOTE:
Min. Sash Width 700mm / Max. Sash Width 1200mm
Max. Sash Weight 100kg
Max. Sash Height 2500mm Dependant On Site Conditions
Always Measure In the Last Vent.



Do Not Scale From This Drawing

Cutting Information



PROFILE CUTTING SCHEDULE

DV14		1		W
DV14		2		H
DV171N		1		W-66
EUD03		1		W-66
EUD03		1		W-103
DV229		10		W/5-35
DV229		10		H-67
DV38		1		H-77
DV76		2		H-67
DV60		4		H-67
DV62		2		W/5-40
DV62		8		W/5-54
Glazing Bead		10		W/5-123
Glazing Bead		10		H-188
VG52		2		W-62
VG52		4		H-46
VG53		2		W-62
PCX38		2		H-67

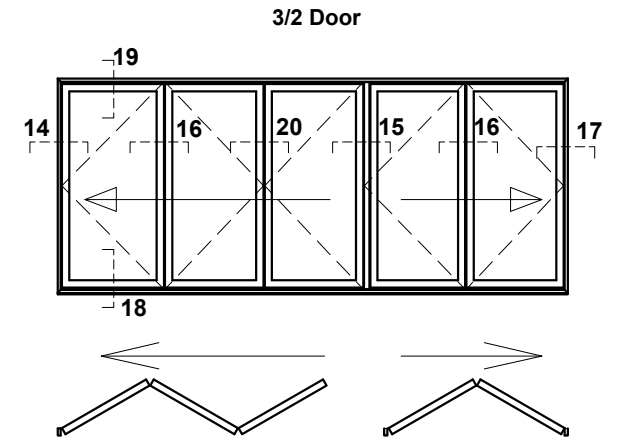
PROFILE CUTTING SCHEDULE (DV173N)

DV173N		1		W-66
DV174		1		W-66
DV174		1		W-103
DV229		10		H-72
DV38		1		H-82
DV76		2		H-72
Glazing Bead		10		H-193
PCX38		2		H-72

Note: PCX15 required for leaf heights over 2285mm.

ACCESSORIES

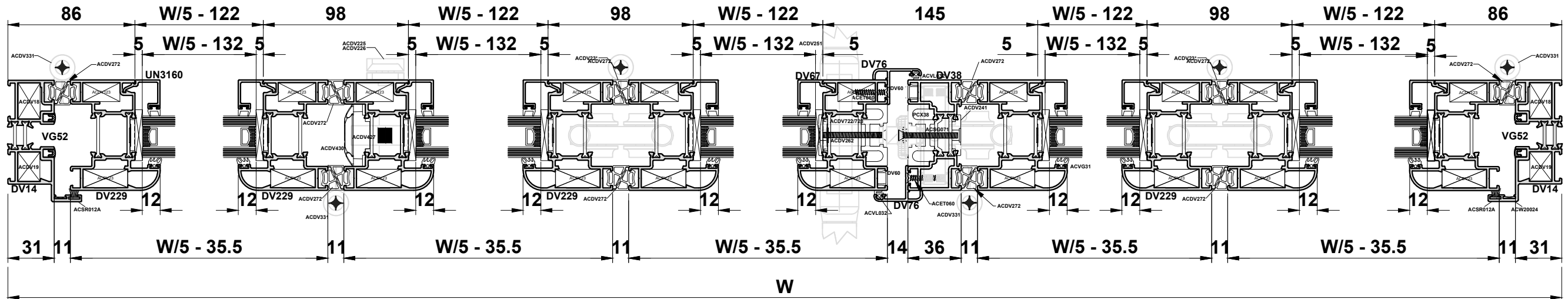
ACDV18	4	CLEAT FOR DV14
ACDV19	4	CLEAT FOR DV14
ACDV23	20	CLEAT FOR DV228 & DV229
ACDV123	20	CLEAT FOR DV228 & DV229
ACDV171/173	2	THRESHOLD ENDCAP
ACDV225 or 226	2	SHOOTBOLT HANDLE
ACDV427	2	SHOOTBOLT GEARBOX
ACDV328	2 (PAIRS)	SHOOTBOLT ROD
ACDV229	2 (PAIRS)	SHOOTBOLT GUIDE
ACDV430	2	SHOOTBOLT COVER
ACDV331	20	INTERMEDIATE HINGE
ACDV232	1	BOTTOM ROLLER HINGE
ACDV233	1	TOP GUIDE HINGE
ACDV274	2	D-HANDLE/HINGE
ACDV241	22	FIXING BLOCK FOR LOCK
ACDV249	10 x (W/5-35)	WOOLPILE
ACDV249	2 x 47mm	WOOLPILE FOR ACDV282
ACDV251	1 (PAIR)	LEVER HANDLES
ACDV254	10 (PAIRS)	INFILL BLOCK
ACDV258 (SL)	1	50/50 CYLINDER
ACDV262	22	SCREW FOR LOCK & KEEPS
ACDV76	2 (PAIRS)	END CAP FOR DV76
ACDV272	2 x (W-62) + 20 x (H-51)	SEALING GASKET
ACDV275	5	CORNER MOULDS
ACDV380	1	DV32 BOTTOM ROLLER
ACDV381	1	DV32 TOP GUIDE
ACDV282	4	WOOLPILE CARRIER
ACDV722/23	1	MULTI-POINT LOCK
ACDR052	4	SCREWS FOR THRESHOLD
ACET060	26	SCREW FOR DV76 & ACDV252
ACET133	4	SCREW FOR ACDV225/6
ACMX01604 (SL)	2	HALF CYLINDER
ACSR012A	1 x (W-90) + 2 x (H-55)	WOOLPILE
ACSR012A	2 x 47mm	WOOLPILE FOR ACDV282
ACVG31	10 x (W/5-132) + 10 x (H-164)	EXTERNAL GLAZING GASKET
ACVG34	10 x (W/5-132) + 10 x (H-164)	INTERNAL GLAZING GASKET
ACVL032	2 x (H-67)	DV76 FLIPPER GASKET
ACW20024	4	CHEVRON FOR DV14
ACDV292	1	BRUSH PILE CARRIER
ACDV295	1 PER SASH FRAME	GLASS ADJUSTER KIT
ACDV308	1	MAGNETIC CATCH
ACDV385	1	FLOATING MULLION GUIDE



IMPORTANT NOTE:
Min. Sash Width 700mm / Max. Sash Width 1200mm
Max. Sash Weight 100kg
Max. Sash Height 2500mm Dependant On Site Conditions
Always Measure In the Last Vent.

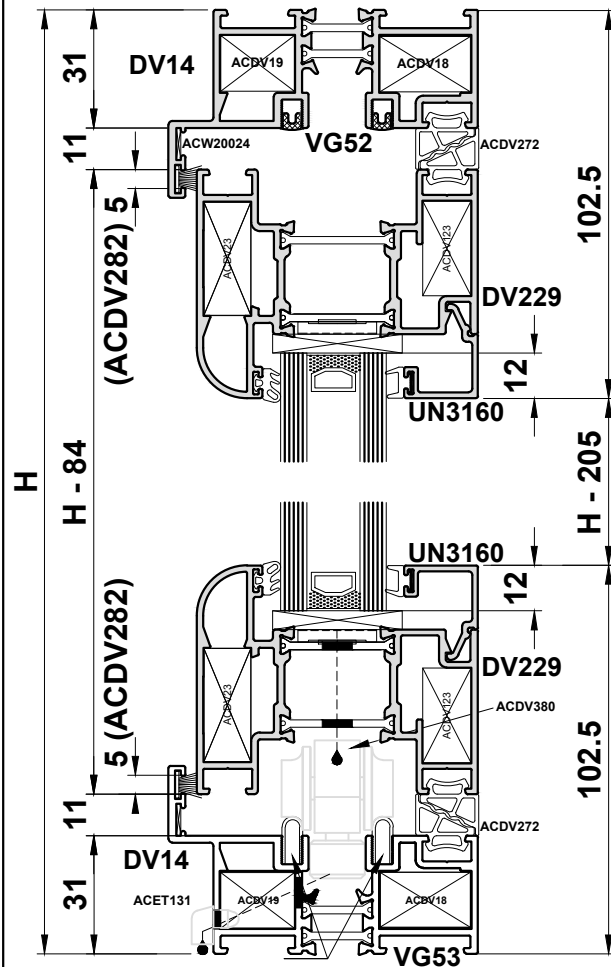
GLASS DEDUCTIONS

DV171N	5 x	W/5 - 133	H - 164
DV173N	5 x	W/5 - 133	H - 169



Do Not Scale From This Drawing

Cutting Information



PROFILE CUTTING SCHEDULE

DV14		2		W
DV14		2		H
DV229		10		W/5-35.5
DV229		10		H-84
DV38		1		H-84
Glazing Bead		10		W/5-123
Glazing Bead		10		H-205
DV60		4		H-84
DV76		2		H-84
VG52		2		W-62
VG52		4		H-62
VG53		2		W-62
PCX38		1		H-84
PCX38		1		H-84

Note: PCX15 required for leaf heights over 2285mm.

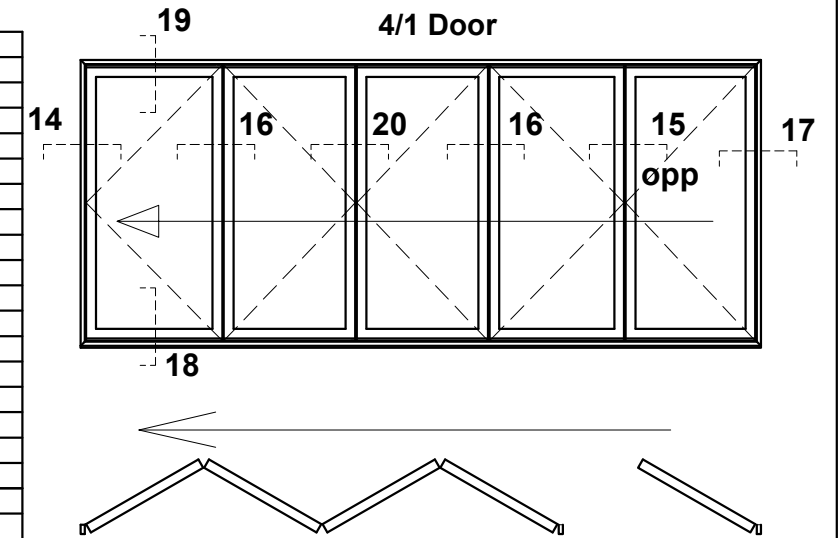
GLASS SIZES	W/5 - 133
5 X	H - 181

IMPORTANT NOTE:

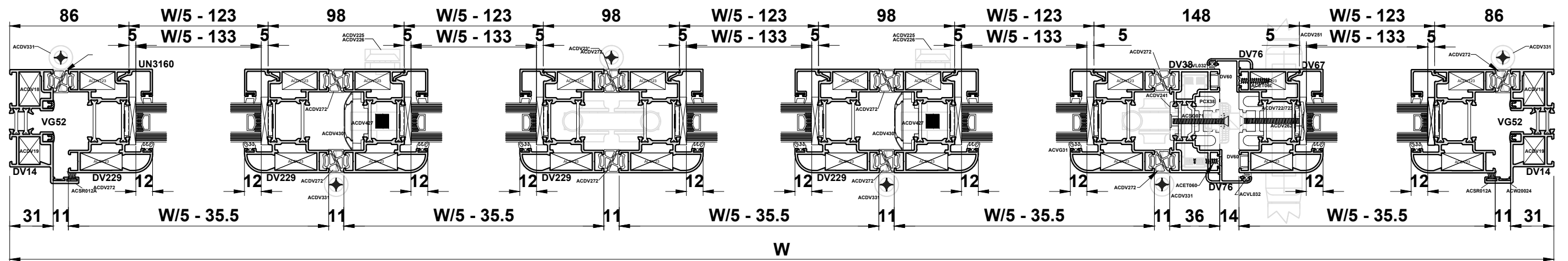
- When using DV220 or DV221 Slim Sash please take the following into account: DV220 & DV221 width and height deductions remain the same as standard sashes.
- Beads, Glazing and Glazing Gaskets will need to increase by 10mm (Example: H-205 will change to H-195).
- ACDV123 or ACDV29 Cleats must be used.
- Use DV177 Rebate Adapter on exterior (Example: Interior = DV76 & Exterior = DV177)
- Use PCX38 in place of PCX38
- Use handles suitable for DV220 / DV221 refer to Section B for compatible options
- Please refer to Lock Table in section E

ACCESSORIES

ACDV18	4	CLEAT FOR DV14
ACDV19	4	CLEAT FOR DV14
ACDV23	20	CLEAT FOR DV228 & DV229
ACDV123	20	CLEAT FOR DV228 & DV229
ACDV080	1	RUN UP BLOCK
ACDV225 or 226	2	SHOOTBOLT HANDLE
ACDV427	2	SHOOTBOLT GEARBOX
ACDV328	2 (PAIR)	SHOOTBOLT ROD
ACDV229	2 (PAIR)	SHOOTBOLT GUIDE
ACDV430	2	SHOOTBOLT COVER
ACDV331	22	INTERMEDIATE HINGE
ACDV232	1	BOTTOM ROLLER HINGE
ACDV233	1	TOP GUIDE HINGE
ACDV274	2	D-HANDLE/HINGE
ACDV241	11	FIXING BLOCK FOR LOCK
ACDV251	1 (PAIR)	LEVER HANDLES
ACDV258 (SL)	1	50/50 CYLINDER
ACDV262	11	SCREW FOR LOCK
ACDV264	11	SCREW FOR KEEPS
ACDV272	2 x (W-62) + 20 x (H-62)	SEALING GASKET (cut to fit)
ACDV275	5	CORNER MOULDS
ACDV380	1	DV32 BOTTOM ROLLER
ACDV381	1	DV32 TOP GUIDE
ACDV282	4	WOOLPILE CARRIER
ACDV76	2 (PAIR)	END CAP FOR DV76
ACDV722/23	1	MULTI-POINT LOCK
ACET060	62	SCREW FOR DV76
ACET133	4	SCREW FOR ACDV225/6
ACMX01604 (SL)	2	HALF CYLINDER
ACDV523	11	FIXING BLOCK FOR KEEPS
ACSR012A	2 x (W-90) + 2 x (H-90)	WOOLPILE
ACSR012A	4 x 47mm	WOOLPILE FOR ACDV282
ACVG31	10 x (W/5-132) + 10 x (H-181)	EXTERNAL GLAZING GASKET
ACVG34	10 x (W/5-132) + 10 x (H-181)	INTERNAL GLAZING GASKET
ACVL032	1 x (H-84)	DV76 FLIPPER GASKET
ACW20024	4	CHEVRON FOR DV14
ACET131	6	DRAIN HOLE COVER
ACDV295	1 PER SASH FRAME	GLASS ADJUSTER KIT
ACDV385	1	FLOATING MULLION GUIDE

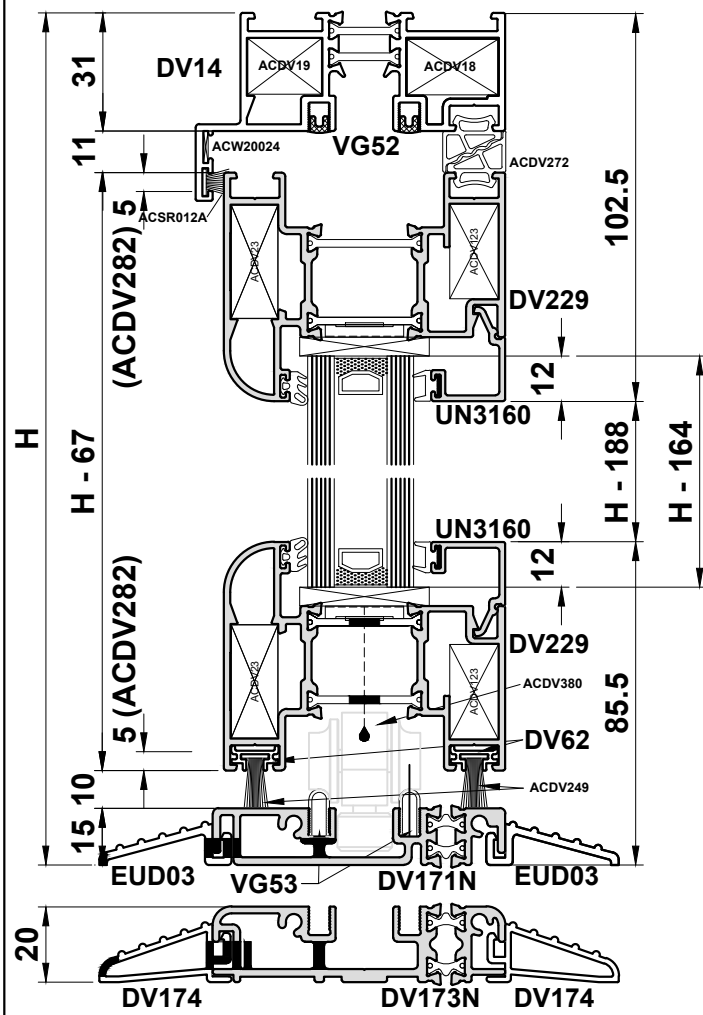


IMPORTANT NOTE:
Min. Sash Width 700mm / Max. Sash Width 1200mm
Max. Sash Weight 100kg
Max. Sash Height 2500mm Dependant On Site Conditions
Always Measure In the Last Vent.



Do Not Scale From This Drawing

Cutting Information



PROFILE CUTTING SCHEDULE

DV14		1		W
DV14		2		H
DV171N		1		W-66
EUD03		1		W-66
EUD03		1		W-103
DV229		10		W/5-35.5
DV38		1		H-67
DV60		4		H-67
DV62		2		W/5-63
DV62		8		W/5-78
Glazing Bead		10		W/5-123
Glazing Bead		10		H-188
DV76		2		H-77
VG52		2		W-62
VG52		4		H-46
VG53		2		W-62
PCX38		1		H-67
PCX38		1		H-67

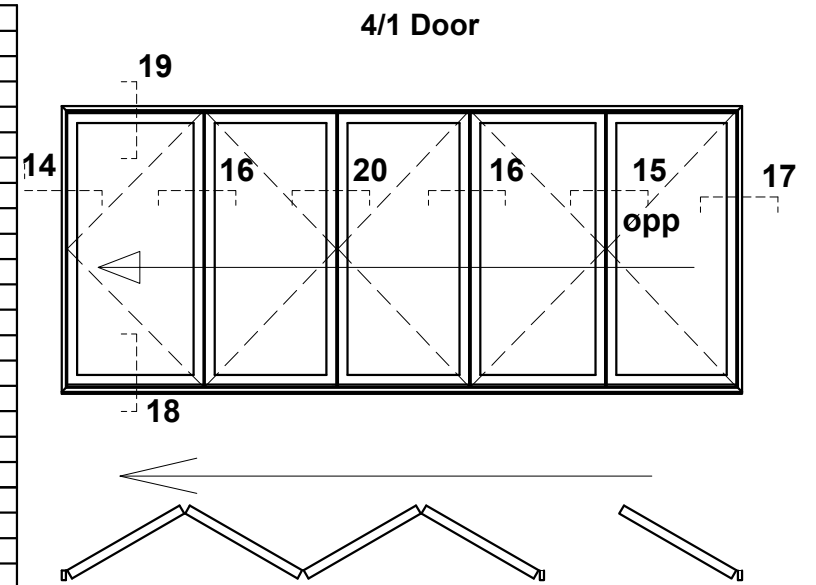
PROFILE CUTTING SCHEDULE (DV173N)

DV173N		1		W-66
DV174		1		W-66
DV174		1		W-103
DV229		10		H-72
DV38		1		H-82
Glazing Bead		10		H-193
DV76		2		H-72
PCX38		1		H-72
PCX38		1		H-72

Note: PCX15 required for leaf heights over 2285mm.

ACCESSORIES

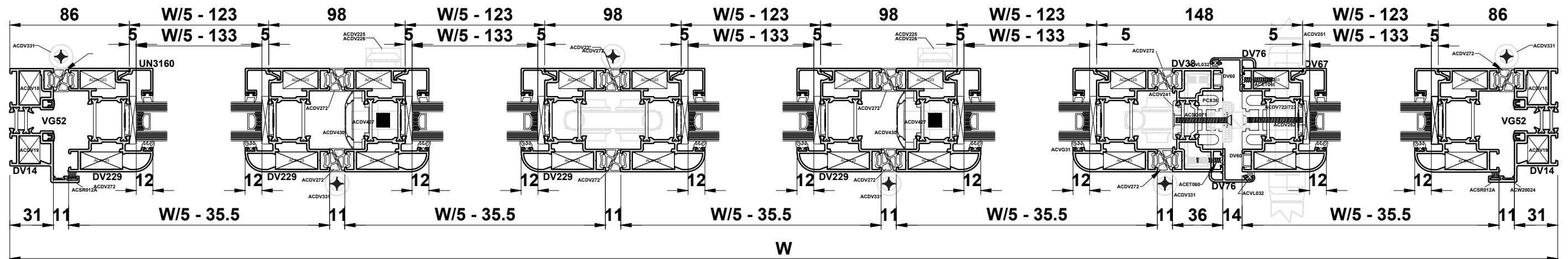
ACDV18	4	CLEAT FOR DV14
ACDV19	4	CLEAT FOR DV14
ACDV23	20	CLEAT FOR DV228 & DV229
ACDV123	20	CLEAT FOR DV228 & DV229
ACDV171/173	2	THRESHOLD ENDCAP
ACDV225 or 226	2	SHOOTBOLT HANDLE
ACDV427	2	SHOOTBOLT GEARBOX
ACDV328	2 (PAIR)	SHOOTBOLT ROD
ACDV229	2 (PAIR)	SHOOTBOLT GUIDE
ACDV430	2	SHOOTBOLT COVER
ACDV331	22	INTERMEDIATE HINGE
ACDV232	1	BOTTOM ROLLER HINGE
ACDV233	1	TOP GUIDE HINGE
ACDV274	2	D-HANDLE/HINGE
ACDV241	11	FIXING BLOCK FOR LOCK
ACDV249	10 x (W/5-26)	WOOLPILE
ACDV249	2 x 47mm	WOOLPILE FOR ACDV282
ACDV251	1 (PAIR)	LEVER HANDLES
ACDV254	10 (PAIRS)	INFILL BLOCK
ACDV258 (SL)	1	50/50 CYLINDER
ACDV262	11	SCREW FOR LOCK
ACDV264	11	SCREW FOR KEEPS
ACDV272	2 x (W-62) + 20 x (H-51)	SEALING GASKET (cut to fit)
ACDV275	5	CORNER MOULDS
ACDV380	1	DV32 BOTTOM ROLLER
ACDV381	1	DV32 TOP GUIDE
ACDV282	4	WOOLPILE CARRIER
ACDV76	2 (PAIR)	END CAP FOR DV76
ACDV722/23	1	MULTI-POINT LOCK
ACDR052	4	SCREWS FOR THRESHOLD
ACET060	62	SCREW FOR DV76
ACET133	4	SCREW FOR ACDV225/6
ACMX01604 (SL)	2	HALF CYLINDER
ACDV523	11	FIXING BLOCK FOR KEEPS
ACSR012A	1 x (W-90) + 2 x (H-55)	WOOLPILE
ACSR012A	2 x 47mm	WOOLPILE FOR ACDV282
ACVG31	10 x (W/5-123) + 10 x (H-164)	EXTERNAL GLAZING GASKET
ACVG34	10 x (W/5-123) + 10 x (H-164)	INTERNAL GLAZING GASKET
ACVL032	2 x (H-67)	DV76 FLIPPER GASKET
ACW20024	4	CHEVRON FOR DV14
ACDV292	1	BRUSH PILE CARRIER
ACDV295	1 PER SASH FRAME	GLASS ADJUSTER KIT
ACDV385	1	FLOATING MULLION GUIDE



IMPORTANT NOTE:
 Min. Sash Width 700mm / Max. Sash Width 1200mm
 Max. Sash Weight 100kg
 Max. Sash Height 2500mm Dependant On Site Conditions
 Always Measure In the Last Vent.

GLASS DEDUCTIONS

DV171N	5 x	W/5 - 133	H - 164
DV173N	5 x	W/5 - 133	H - 169



Do Not Scale From This Drawing

Cutting Information

Do Not Scale From This Drawing