

Main Index

<div style="border: 1px solid black; padding: 2px; display: inline-block;">DV</div> <div style="border: 1px solid black; padding: 2px; display: inline-block; margin-left: 5px;">Index</div>	<p>Index..... Page A01 - A02</p>
<div style="border: 1px solid black; padding: 2px; display: inline-block;">A</div> <div style="border: 1px solid black; padding: 2px; display: inline-block; margin-left: 5px;">DV</div>	<p>Profiles</p> <p>Specification Pages..... Page A03 - A07</p> <p>Technical Information..... Page A08 - A11</p> <p>Scale Profile Drawings..... Page A12 - A24</p>
<div style="border: 1px solid black; padding: 2px; display: inline-block;">B</div> <div style="border: 1px solid black; padding: 2px; display: inline-block; margin-left: 5px;">DV</div>	<p>Accessories</p> <p>Photos & Drawings..... Page B03 - B27</p>
<div style="border: 1px solid black; padding: 2px; display: inline-block;">C</div> <div style="border: 1px solid black; padding: 2px; display: inline-block; margin-left: 5px;">DV</div>	<p>Sections</p> <p>Slide & Fold Open Out..... Page C03 - C35</p> <p>Slide & Fold Open In..... Page C36 - C60</p>
<div style="border: 1px solid black; padding: 2px; display: inline-block;">D</div> <div style="border: 1px solid black; padding: 2px; display: inline-block; margin-left: 5px;">DV</div>	<p>Statics..... Page D01 - D02</p>
<div style="border: 1px solid black; padding: 2px; display: inline-block;">E</div> <div style="border: 1px solid black; padding: 2px; display: inline-block; margin-left: 5px;">DV</div>	<p>Construction Drawings - Open Out</p> <p>Corner Joint Details..... Page E03</p> <p>Drainage..... Page E04 - E05</p> <p>DV676 Assembly & Drainage..... Page E06</p> <p>DV545N & ACDV567 Hinge Installation..... Page E07</p> <p>DV545N Double Door Threshold Preparation..... Page E08</p> <p>ACDV567 Top Guide Installation..... Page E09</p> <p>ACDV566 Bottom Carrier Installation..... Page E10</p> <p>Lock and Handle Preparations..... Page E11- E18</p> <p>End Caps for DV622 Rebate Adapter..... Page E19</p> <p>DV38 Floating Mullion Preparation with ACDV580..... Page E20</p> <p>Adjustable Jamb..... Page E21</p> <p>DV634 Midrail..... Page E22</p> <p>Glazing..... Page E23 - E24</p> <p>Hinge Location Details..... Page E25</p> <p>ACDV275 Gasket Method & Kit Contents..... Page E26</p> <p>Magnetic Catches..... Page E27 - E28</p>

Main Index

ACDV658 90° Door Restrictor..... Page E29
 Removable Corner Assembly Details..... Page E30 - E32
 OuterFrame 90° Corner Assembly Using ACDV682 & ACDV953..... Page E33
 Preparation and Assembly Fixed Corner Post..... Page E34

E DV

Construction Details - Open In

Corner Joint Details..... Page E37
 Drainage..... Page E38
 DV545N & ACDV567 Hinge Installation..... Page E39
 DV545N Double Door Threshold Preparation..... Page E40
 ACDV567 Top guide Installation..... Page E41
 ACDV566 Bottom Carrier Installation..... Page E42
 Lock and Handle Preparation..... Page E43 - E50
 End Caps for DV622 Rebate Adapter..... Page E51
 DV38 Floating Mullion Preparation with ACDV580..... Page E52
 DV634 Midrail..... Page E53
 Glazing..... Page E54 - E55
 Hinge Location Details..... Page E56
 ACDV275 Gasket Method & Kit Contents..... Page E57
 Magnetic Catches..... Page E58
 ACDV658 90° Door Restrictor..... Page E59

F DV

Sawing Tables - Cutting Information

Open Out..... Page F03 - F16
 Open In..... Page F19 - F28

Updates

DATE	PAGE	DESCRIPTION
12-06-17	E07 & E33	Code for hinge tapping plate removed as it is supplied with hinge.
20-07-17	E09, E10, E12, E34, E35 & E37	Updated information for primary and secondary door preps
18-01-18	A08 & A14	Added DV62 & DV68
24-01-19	Various	DV610 & DV612 have been replaced by DV614 & DV617 respectively. Added Adjustable Jamb Details Changed ACDV241 Fixing Plate to ACDV623 for most details. Updated Rebate End Caps Updated 90° Corner Bracket details. Replaced ACDV586 Secondary Door Lock Kit with ACDV586N.
18-03-19	E27, E56	Added ACDV658 90° Door Restrictor Details

Specification

GENERAL DESCRIPTION

The Visofold 6000 described in this manual is suitable for domestic or commercial applications and provides various opening options within impressive dimension and weight limitations using slim-line sections.

PROFILE SPECIFICATION

The frames are constructed of aluminium alloy extrusion to BS EN 755, extruded from 6063 T6 alloy. The external aluminium alloy extrusion is pre-treated and finished either in :-

- a) Anodised to BS 3987: 1987, grade AA25 to a natural self colour.
- b) Polyester powder organic coating to BS 6496.

GENERAL MANUFACTURING

Frames are made by cutting the profiles with accurate 45° mitred ends using Tungsten Carbide Tipped Saw Blades, operating at approximately 3000 rpm.

The joints of the screen are made using mechanically fixed corner cleats unless a low threshold is used which requires stainless steel self tapping screws to be fixed through the vertical members of the outerframe. Door joints are achieved with the use of mechanically fixed corner cleats. All joints should be sealed using an adequate sealant.

Care should be exercised when using products not supplied by Smart Systems Ltd as no responsibility can be accepted.

RECOMMENDED DESIGN LIMITATIONS

Sliding Folding Doors

Minimum Sash Width: 700mm

Maximum Sash Width: 1000mm

Maximum Sash Height: 2200mm (dependant on site conditions)

Maximum Sash Weight: 100kg

Specification

DRAINAGE

As with all dry glazed systems, it is recommended that the system is drained and ventilated as shown in this manual. IF IN DOUBT ASK.

OUTER FRAME MANUFACTURING INFORMATION

The outer frame members are cut with 45° mitred ends to the overall size required.

The mitred ends are then prepared using the punch tool ACDV900 to provide the access for the fixing block and to the grub screw that secures it.

All joints should be sealed using ACSIL04 and with cleat glue ACSIL013.

Holes for the low threshold are drilled to the dimensions shown in the manual. All joints should be sealed using ACSIL04

DOOR LEAF MANUFACTURING INFORMATION

The door stiles and rails are cut with 45° mitres to the overall size required.

DOOR FITTINGS

Visofold 6000 offers multi-point locking for the primary leaf which is locked by lifting the handle and turning the key of the europrofile cylinder.

Secondary doors are closed using a shootbolt which engages into the head and threshold using a rotating handle which operates 170 degrees to allow access to the optional europrofile half cylinder. There is no external access to the shootbolt locking.

The cylinders can be ordered as keyed alike.

Specification

GLAZING

All beads are cut to suit the glazing aperture on the fully assemble door for glazing either at factory or on site as required.

Visofold 6000 can accept glazing up to 40mm thick.

External gaskets are compatible with Pilkington Active sealed units.

Please note that glass weights **MUST** be considered as this could restrict the maximum size of the sash.

Specification

Visofold 6000 Weather Performance

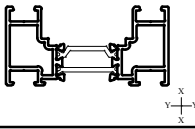
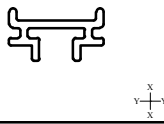
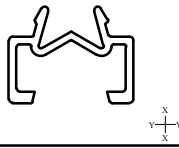
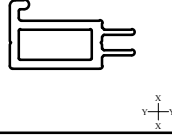
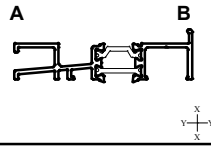
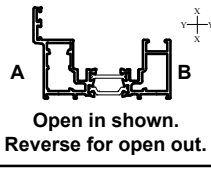
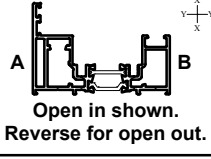
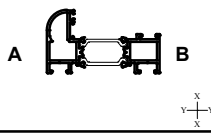
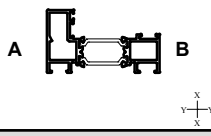
BS EN 1026: 2000 Air Permeability:	Class 2	600 Pa
BS EN 1027: 2000 Watertightness:	Class 8a	450 Pa
BS EN 12211: 2000 Resistance to Wind Load:	Class A3	1200 Pa

Based upon Type.1 test sample. Further testing to be scheduled.

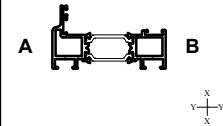
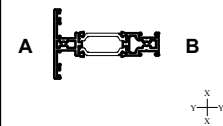
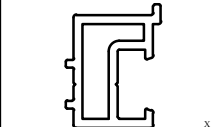
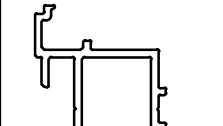
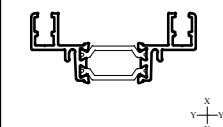
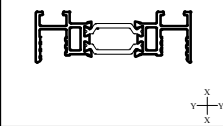
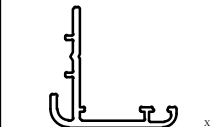
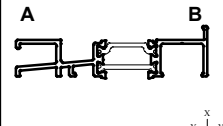
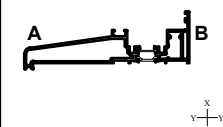
Visofold 6000 U Values

Please refer to the Smart Systems' Document L White Paper or contact the Technical Department.

PROFILES : TECHNICAL INFORMATION

Number	Picture	Page	Perim. mm	Mec. mm	lx(cm4) wx(cm3)	ly(cm4) wy(cm3)	Length	Pack pr.	MF	SA	KL	HP	M	
DV38		A15	371	37	33.7 ----- 9.1	5.1 ----- 3.2	6.5	1	✓	✓	✓	✓	✓	
DV62		A15	-	-	- ----- -	- ----- -	4	1		✓				
DV68		A15	98	4	- ----- -	- ----- -	6.5	1	✓	✓	✓	✓		
DV545N		A15	85	17	- ----- -	- ----- -	6.5	1	✓	✓	✓	✓		
DV570		A17	354	34	19.2 ----- 4.9	1 ----- 1	6.5	1	✓	✓	✓	✓	✓	
DV614	 Open in shown. Reverse for open out.	A12	418	101	46.05 ----- 10.71	10.8 ----- 5.8	6.5	1	✓	✓	✓	✓	✓	
DV617	 Open in shown. Reverse for open out.	A12	419	92	53.9 ----- 11.59	11.37 ----- 6.18	6.5	1	✓	✓	✓	✓	✓	
DV620		A13	343	81	30.9 ----- 7.6	5.1 ----- 2.1	6.5	1	✓	✓	✓	✓	✓	
DV622		A13	348	86	32 ----- 9.6	5.7 ----- 3.3	6.5	1	✓	✓	✓	✓	✓	
									A = Outside B = Inside		MF = Mill Finish SA = Silver Anodised KL = Basic Colour HP = Special Colour M = Dual Colour			

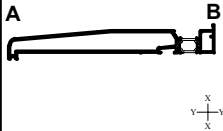
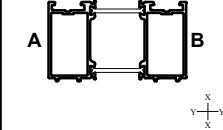
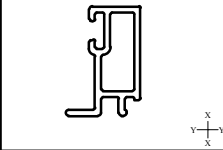
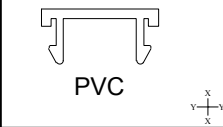
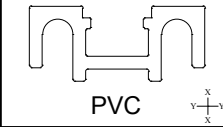
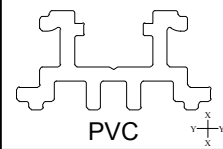
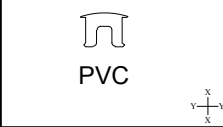
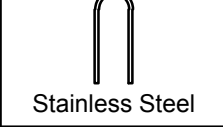

PROFILES : TECHNICAL INFORMATION

Number	Picture	Page	Perim. mm	Mec. mm	lx(cm4) wx(cm3)	ly(cm4) wy(cm3)	Length	Pack pr.	MF	SA	KL	HP	M	
DV624		A14	339	76	30.81 — 7.65	3.75 — 2.43	6.5	1	✓	✓	✓	✓	✓	
DV634		A14	319	69	24 — 6.09	2.35 — 1.03	6.5	1	✓	✓	✓	✓	✓	
DV640		A16	103	16	- — -	- — -	6.5	1	✓	✓	✓	✓		
DV645		A16	158	26	- — -	- — -	6.5	1	✓	✓	✓	✓		
DV651		A18	333	33	16.40 — 10.77	1.49 — 0.43	6.5	1	✓	✓	✓	✓	✓	
DV652		A18	341	50	23.61 — 6.33	1.35 — 1.18	6.5	1	✓	✓	✓	✓	✓	
DV662		A15	139	37	- — -	- — -	5	1	✓	✓	✓	✓		
DV670		A17	354	34	23.6 — 5.7	1 — 1	6.5	1	✓	✓	✓	✓	✓	
DV676		A22	634	232	368.81 — 38.14	19.21 — 8.93	6.5	1	✓	✓	✓	✓	✓	
									A = Outside B = Inside		MF = Mill Finish SA = Silver Anodised KL = Basic Colour HP = Special Colour M = Dual Colour			

PROFILES : TECHNICAL INFORMATION

Number	Picture	Page	Perim. mm	Mec. mm	Ix(cm4) wx(cm3)	Iy(cm4) wy(cm3)	Length	Pack pr.	MF	SA	KL	HP	M	
ETC267		A19	90	32	- - -	- - -	6.5	1	✓	✓	✓	✓		
ETC270		A19	106	40	*** - ***	*** - ***	6.5	1	✓	✓	✓	✓		
ETC272		A19	98	36	*** - ***	*** - ***	6.5	1	✓	✓	✓	✓		
ETC348		A20	439	158	54.7 - 14	54.7 - 13.9	6.5	1	✓	✓	✓	✓	✓	
ETC451		A23	304	109	32.44 ----- 7.29	3.46 ----- 2.79	6.5	1	✓	✓	✓	✓	✓	
ETC452		A23	414	197	122.46 ----- 18.03	6.01 ----- 3.34	6.5	1	✓	✓	✓	✓	✓	
ETC457		A23	444	212	163.27 ----- 21.60	6.79 ----- 3.73	6.5	1	✓	✓	✓	✓	✓	
ETC458		A24	524	252	313.62 ----- 32.63	8.87 ----- 4.79	6.5	1	✓	✓	✓	✓	✓	
ETC477		A25	782	404	1591.6 ----- 105.33	26.84 ----- 12.84	5	1	✓	✓	✓	✓	✓	
									A = Outside B = Inside		MF = Mill Finish SA = Silver Anodised KL = Basic Colour HP = Special Colour M = Dual Colour			

PROFILES : TECHNICAL INFORMATION

Number	Picture	Page	Perim. mm	Mec. mm	lx(cm4) wx(cm3)	ly(cm4) wy(cm3)	Length	Pack pr.	MF	SA	KL	HP	M	
ETC479		A24	594	287	501.64 ----- 44.04	9.72 ----- 5.34	6.5	1	✓	✓	✓	✓	✓	
ETC515N		A21	356	85	33.0 ----- 8.7	10.65 ----- 5.01	6.5	1	✓	✓	✓	✓	✓	
ETC667		A19	78	24	- ----- -	- ----- -	6.5	1	✓	✓	✓	✓		
PCX15		A21	-	-	- ----- -	- ----- -	4	1	✓					
PCX38		A17	-	-	- ----- -	- ----- -	3	1	✓					
PCX44		A17	-	-	- ----- -	- ----- -	3	1	✓					
VG52		A21	-	-	- ----- -	- ----- -	7	1	✓					
VG53		A21	-	-	- ----- -	- ----- -	6.5	*	✓					
VL72		A21	101	32	- ----- -	- ----- -	6.5	1	✓	✓	✓	✓		
									A = Outside B = Inside		MF = Mill Finish SA = Silver Anodised KL = Basic Colour HP = Special Colour M = Dual Colour			

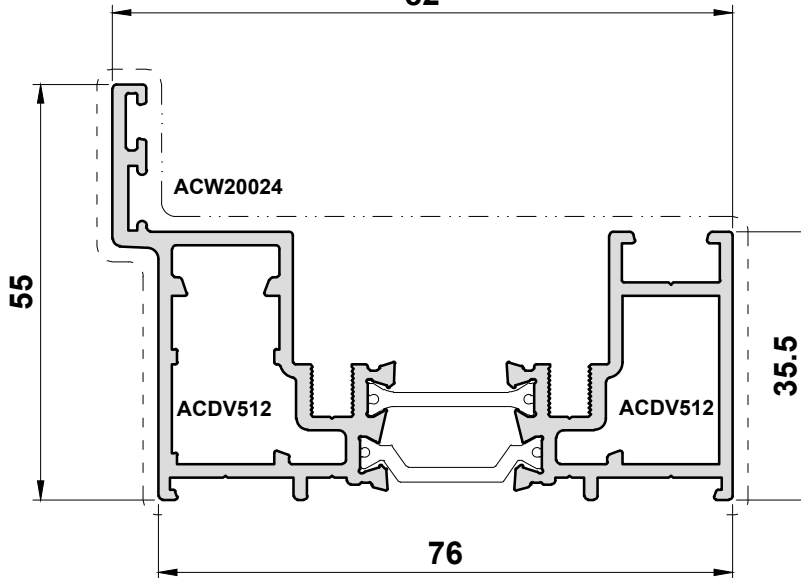
Primary Visible Side

Secondary Visible Side

DV614

Outer Frame

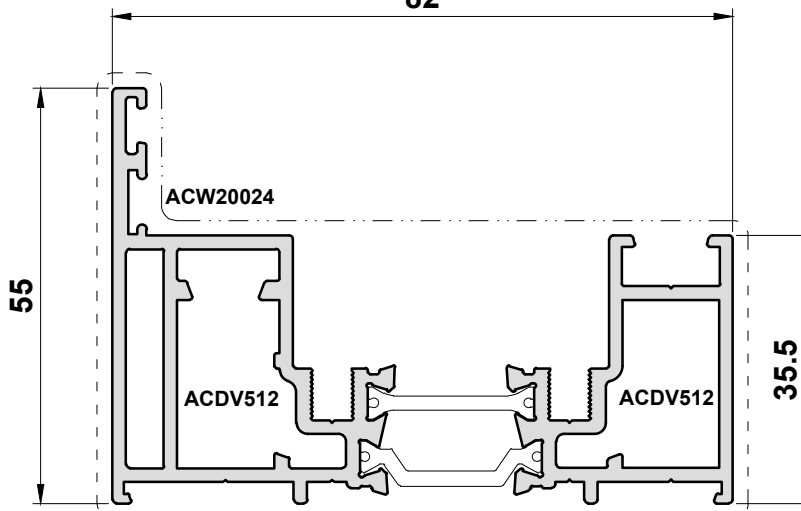
82



DV617

Flat Outer Frame

82



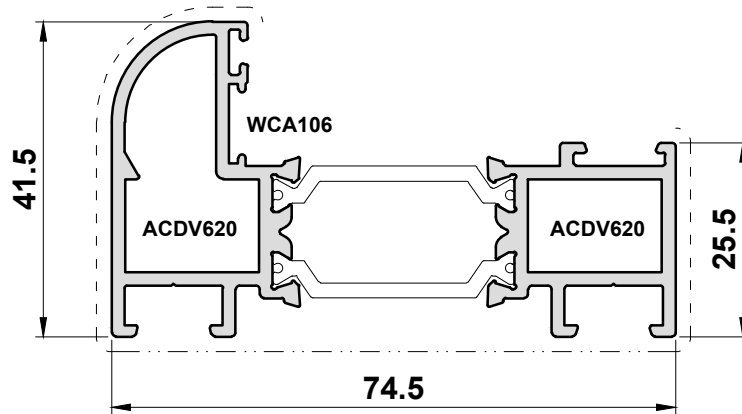
Scale 1:1

Primary Visible Side

Secondary Visible Side

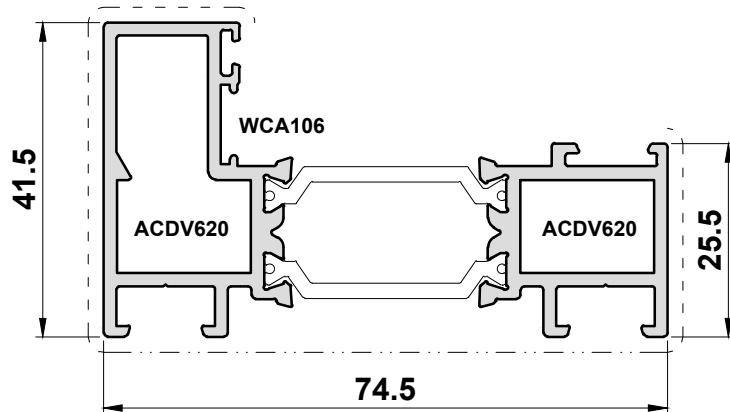
DV620

Curved Bi-Fold Sash



DV622

Square Bi-Fold Sash



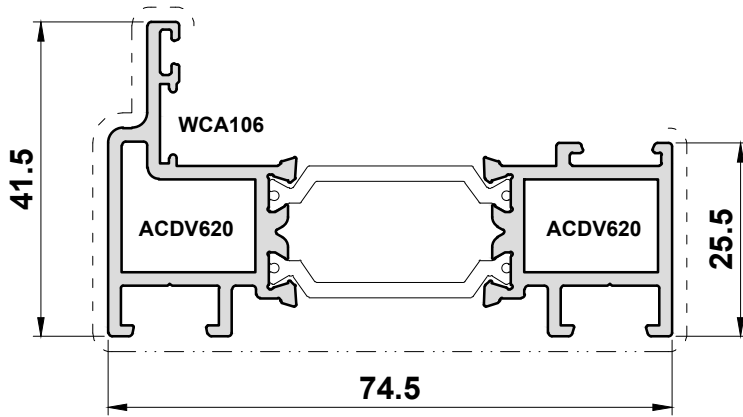
Scale 1:1

Primary Visible Side

Secondary Visible Side

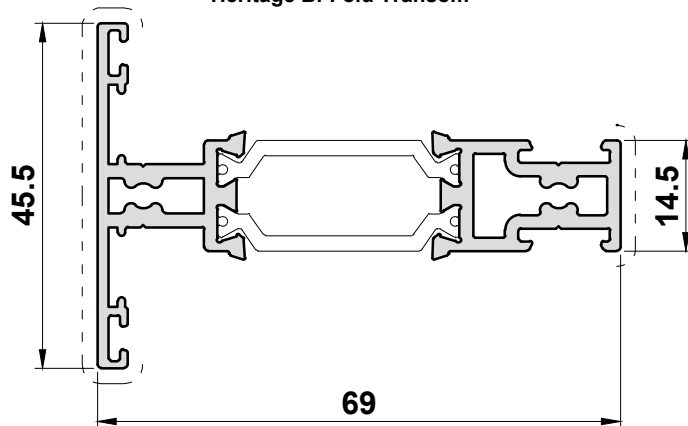
DV624

Heritage Bi-Fold Sash



DV634

Heritage Bi-Fold Transom

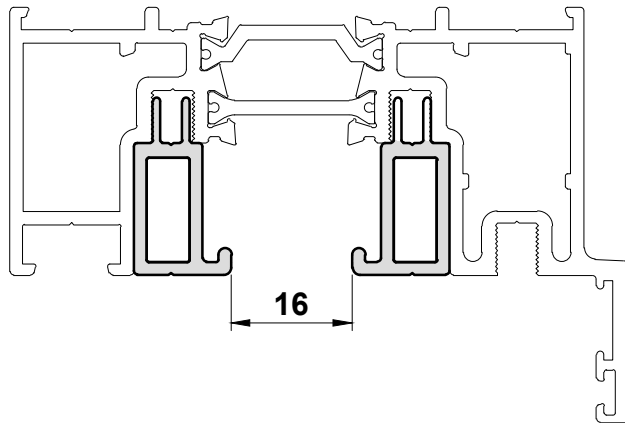
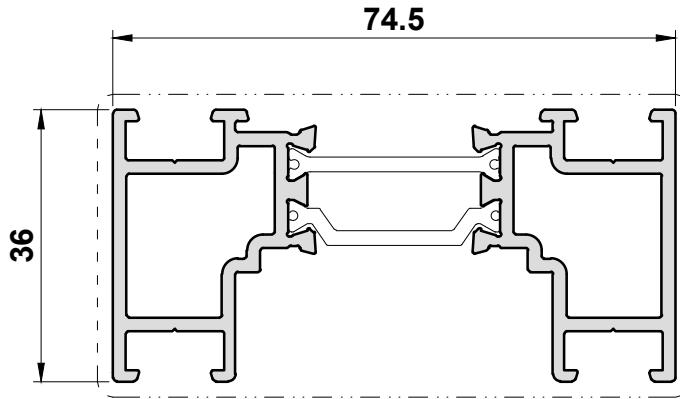


Primary Visible Side

Secondary Visible Side

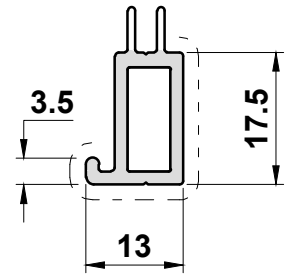
DV38

Floating Mullion



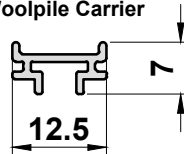
DV545N

Top Guide Insert



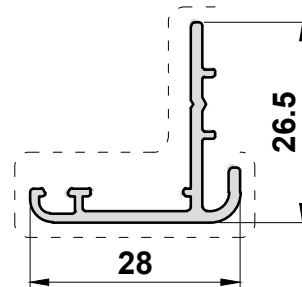
DV62

Low Threshold
Woolpile Carrier



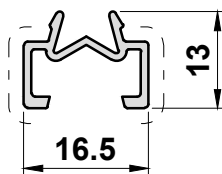
DV662

Locking Stile Rebate



DV68

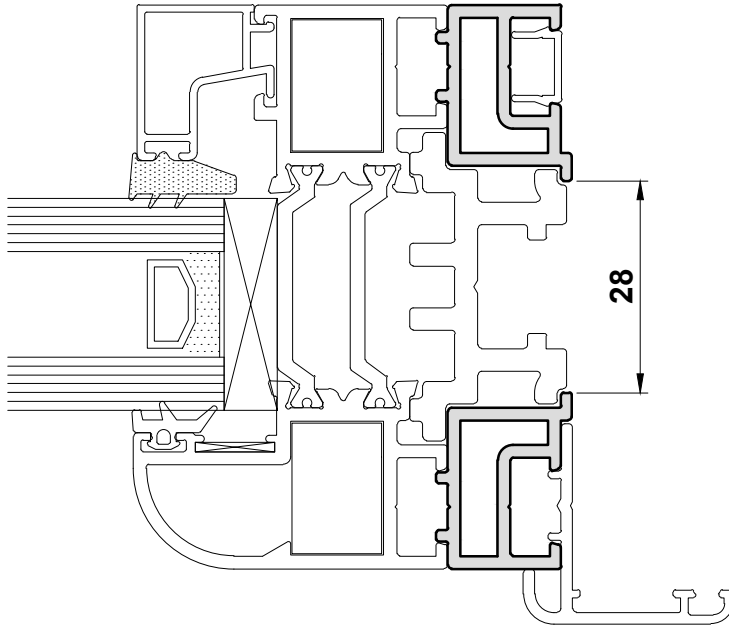
Gasket Carrier



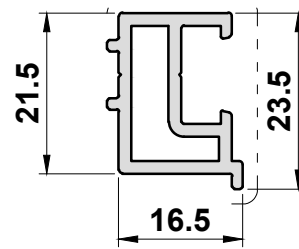
Scale 1:1

Primary Visible Side

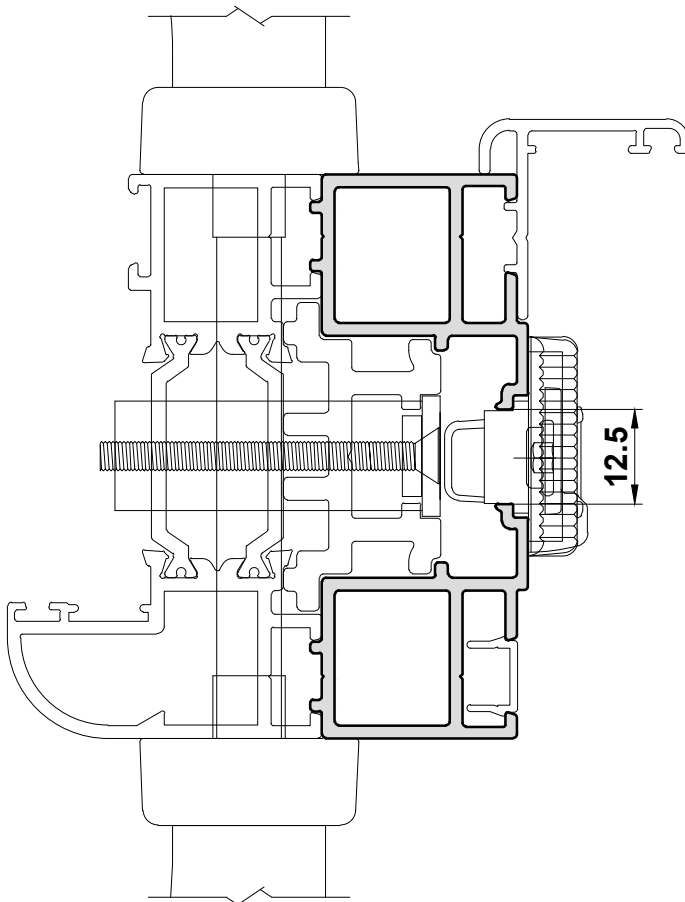
Secondary Visible Side



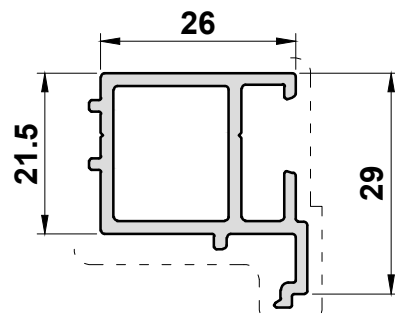
DV640
Lock adapter



End Cap: ACDV640N



DV645
Lock adapter

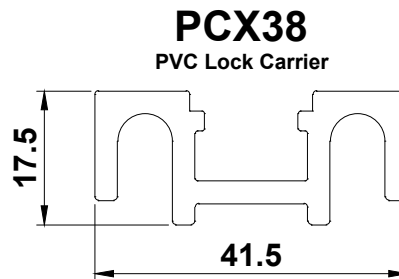
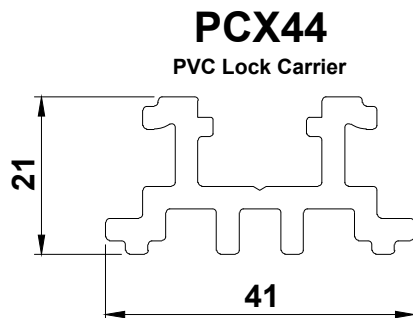
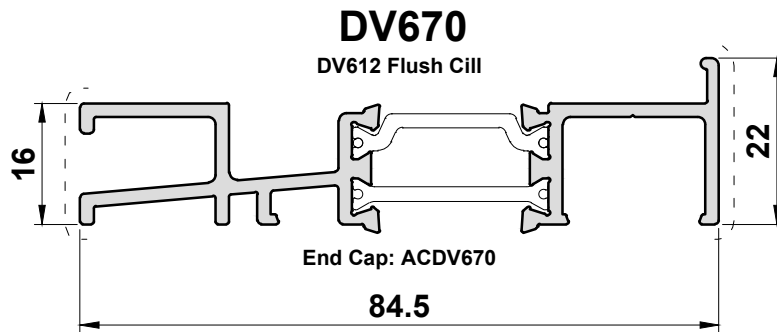
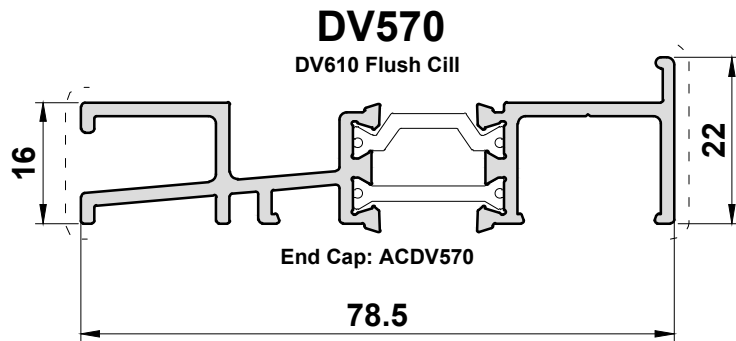


End Cap: ACDV642N

Scale 1:1

Primary Visible Side

Secondary Visible Side



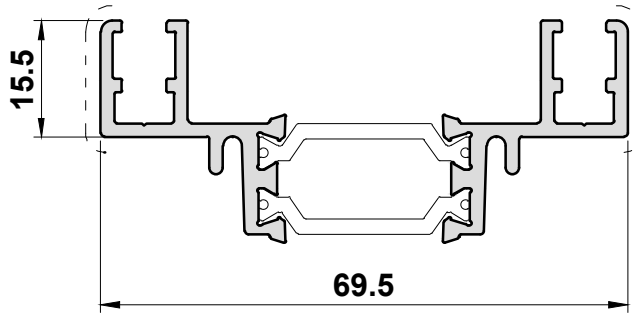
Scale 1:1

Primary Visible Side

Secondary Visible Side

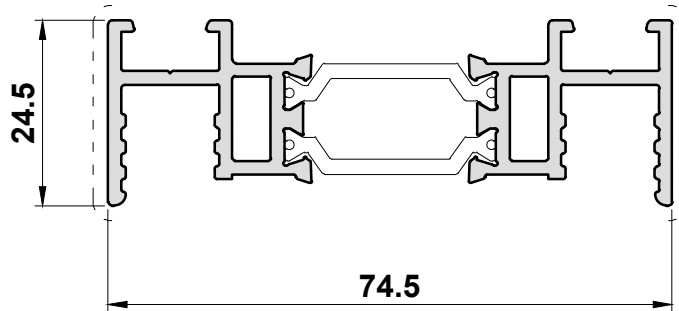
DV651

Adjustable Jamb Locator



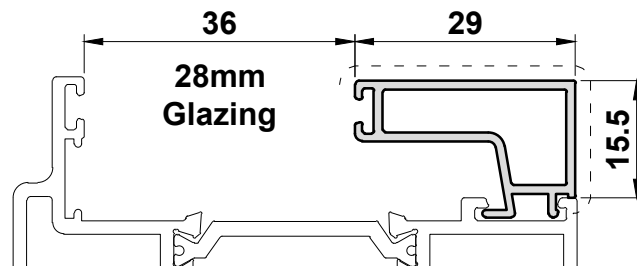
DV652

Adjustable Jamb



DV664

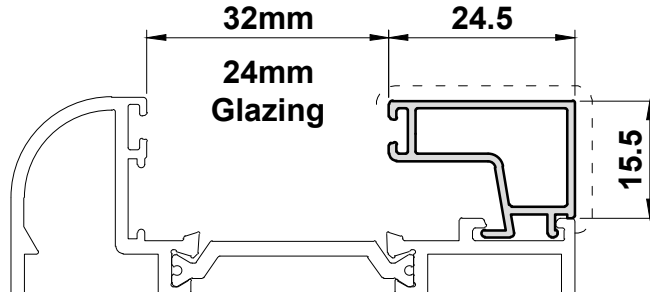
28mm DV624 Square Bead



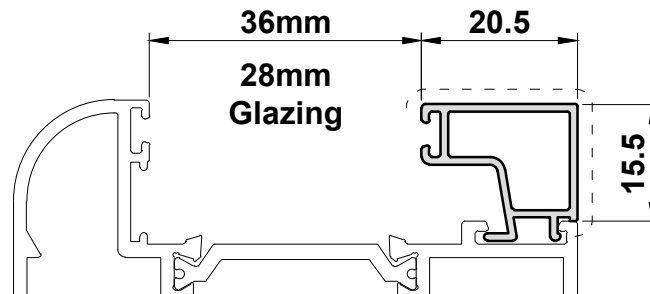
Scale 1:1

Primary Visible Side

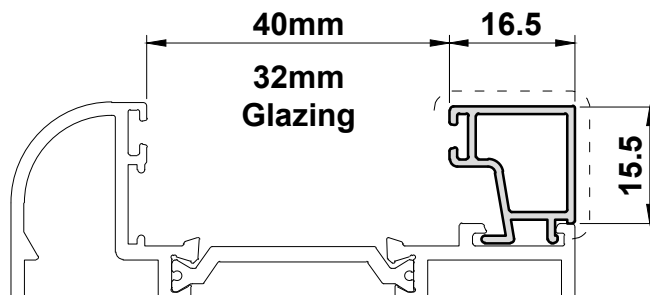
Secondary Visible Side



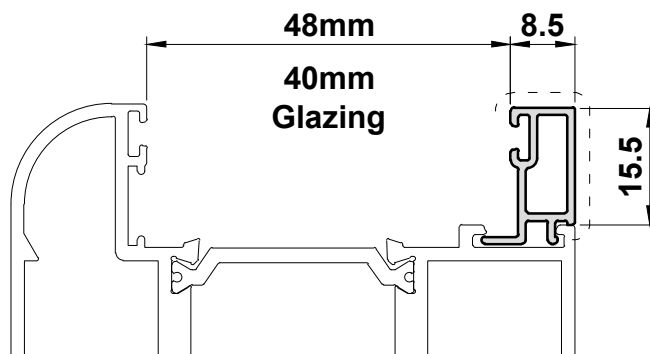
ETC270
24mm Glazing Bead



ETC272
28mm Glazing Bead



ETC267
32mm Glazing Bead

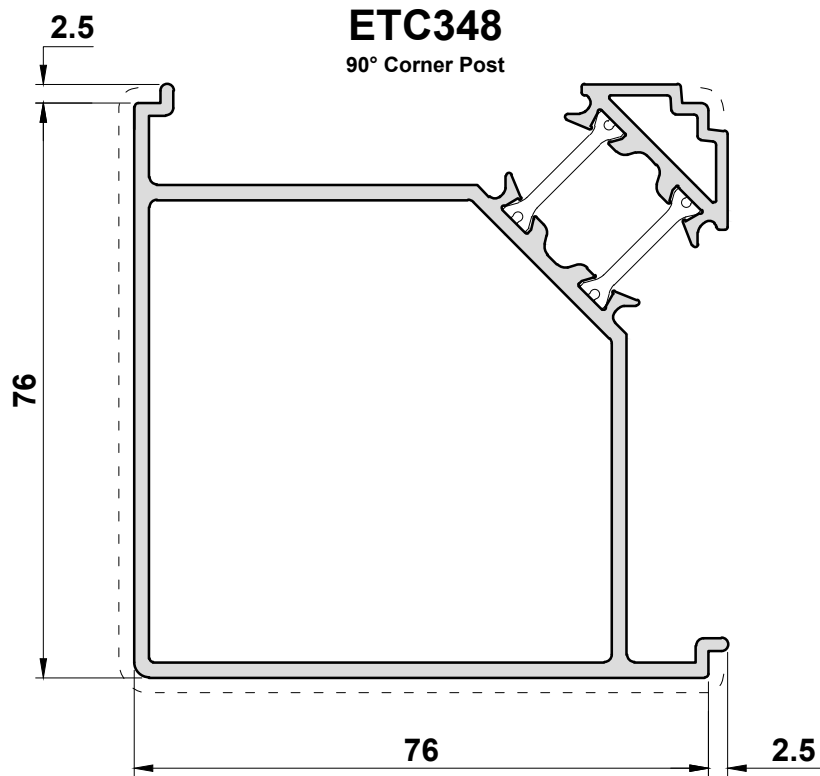


ETC667
40mm Glazing Bead

Scale 1:1

Primary Visible Side

Secondary Visible Side



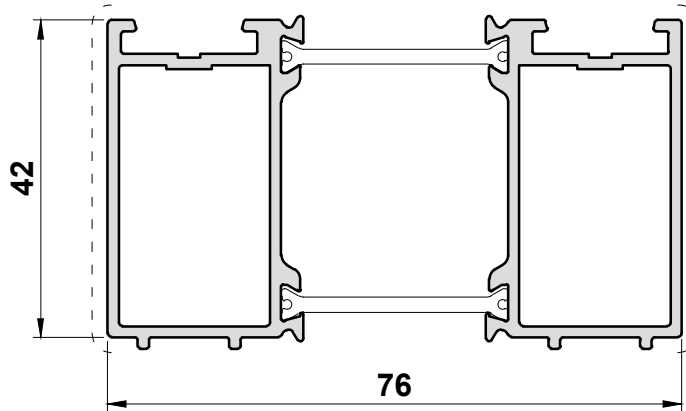
Scale 1:1

Primary Visible Side

Secondary Visible Side

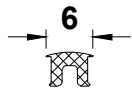
ETC515N

DV610 Head Extension



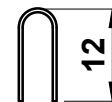
VG52

PVC Track Infill Strip



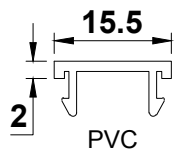
VG53

Stainless Steel Track Insert



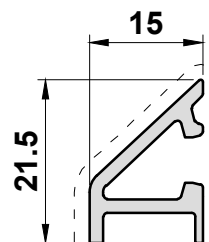
PCX15

PVC Infill Strip



VL72

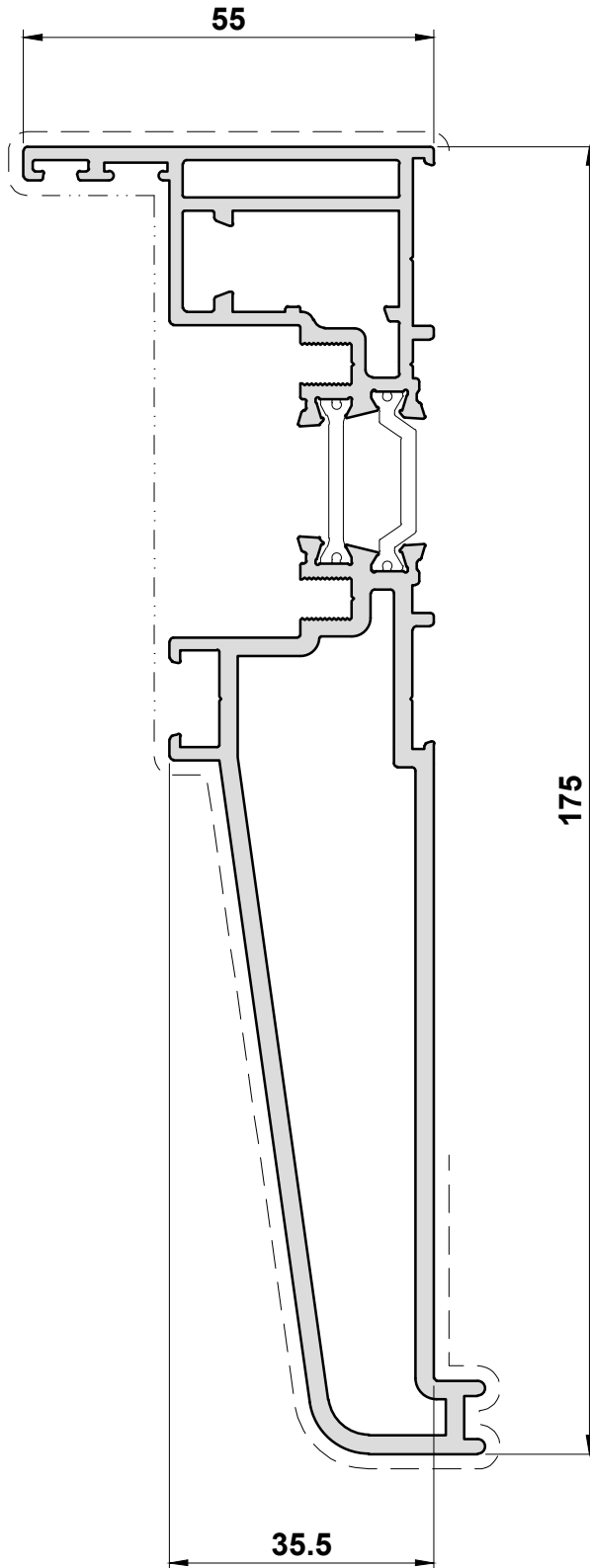
Weather Bar



Scale 1:1

Primary Visible Side

Secondary Visible Side



DV676

Cill Threshold

Use With DV617 ONLY

OPEN OUT ONLY

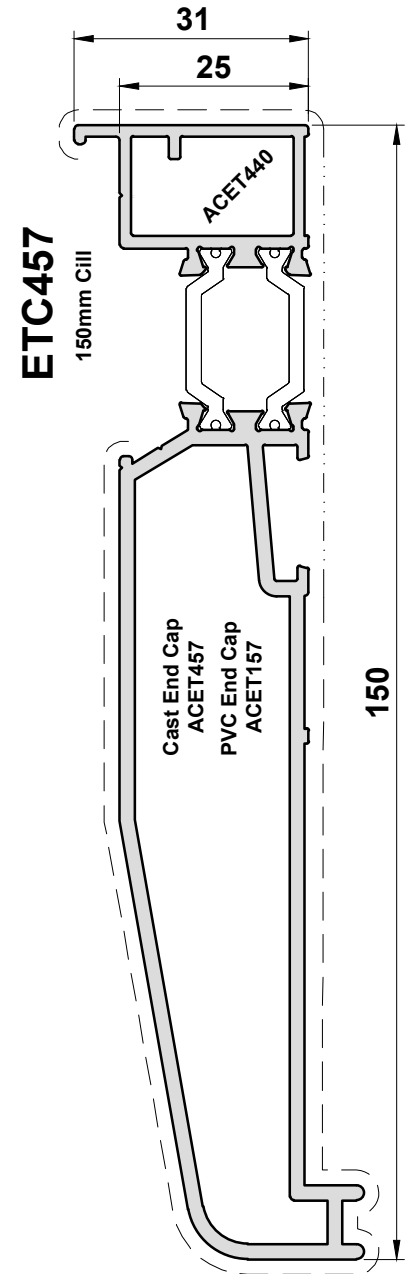
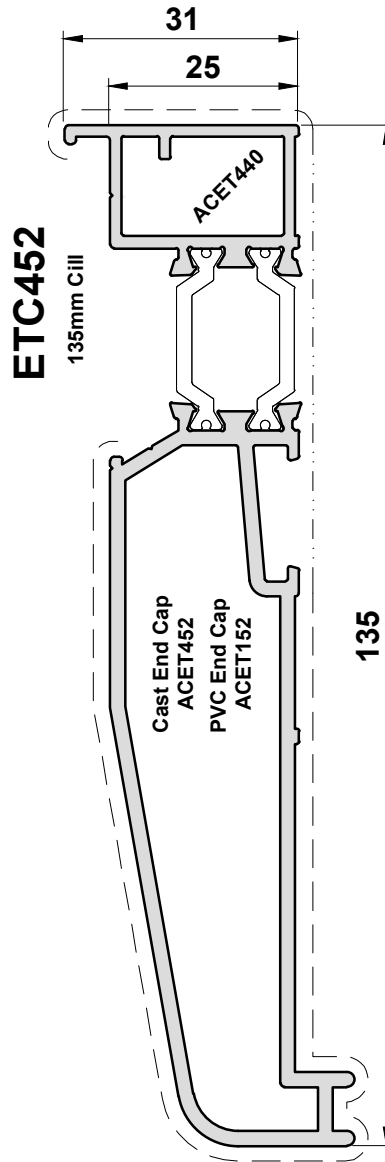
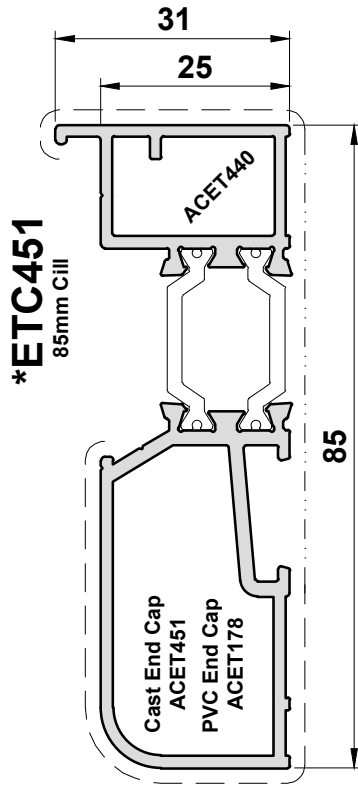
End Caps = ACDV668

**Connecting Brackets:
ACDV669**

Scale 1:1

Primary Visible Side

Secondary Visible Side



* DV614 only

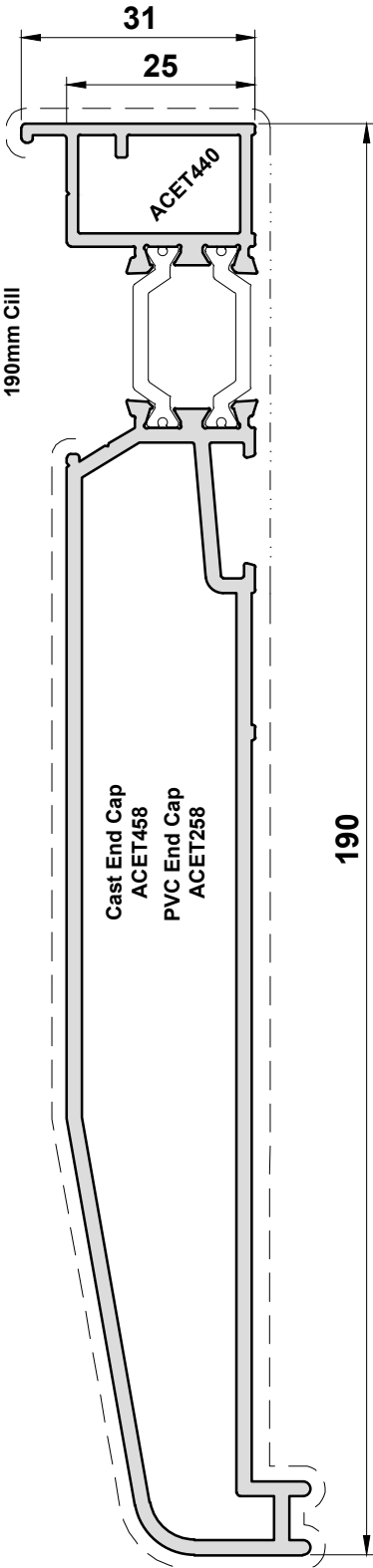
Scale 1:1

Primary Visible Side

Secondary Visible Side

ETC458

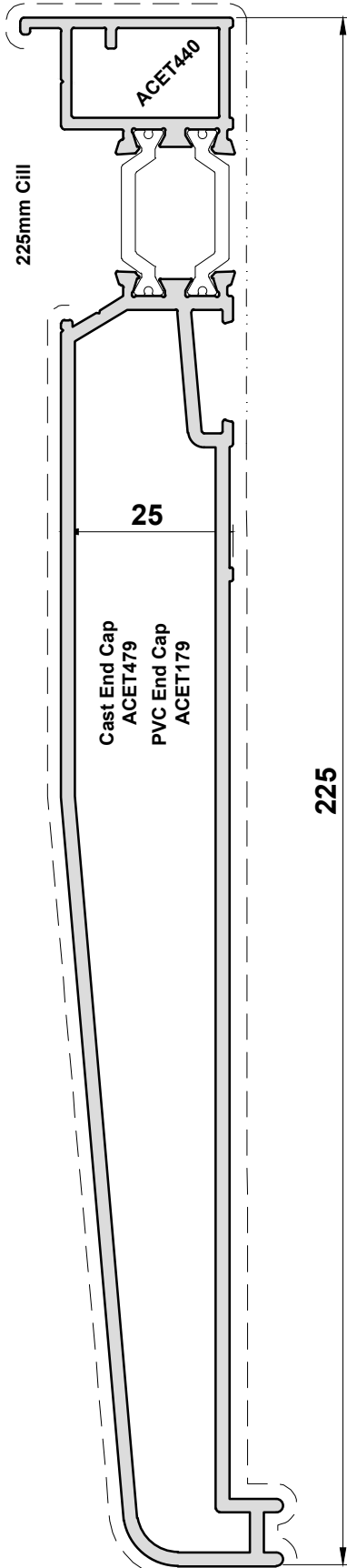
190mm Cill



190

ETC479

225mm Cill



225

Scale 1:1

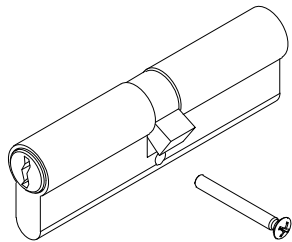
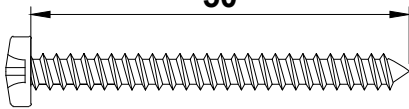
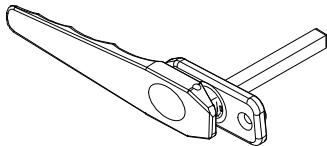
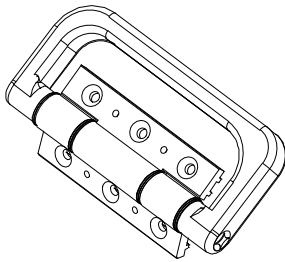
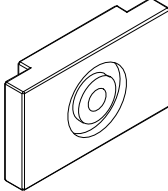

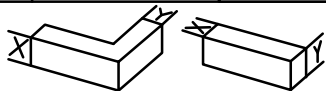
Section B

Accessories

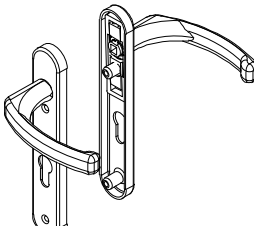
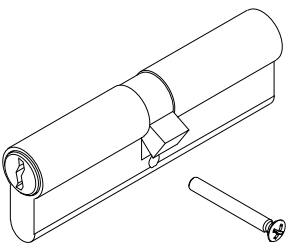
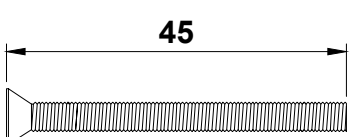
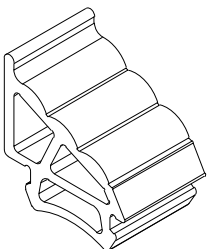
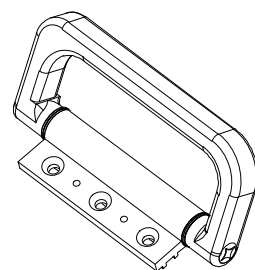
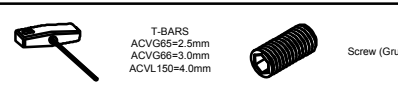
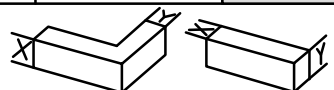
Photos & Drawings

Section B

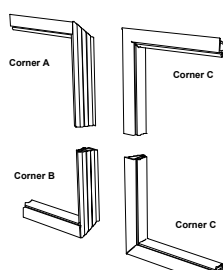
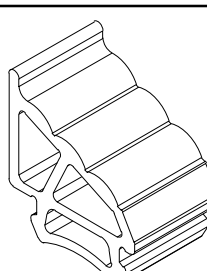
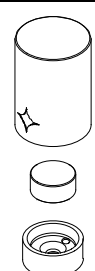
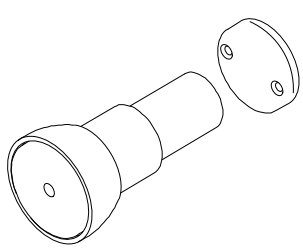
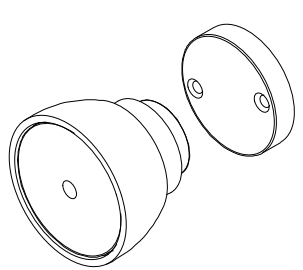
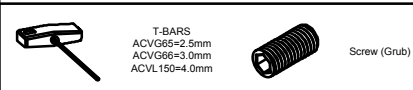
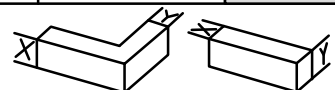
ACCESSORIES : PHOTOS & DRAWINGS

Image	Part Code	Pack	Unit	Application	Colour
	ACCY5050S1 50/50 1 Star Security Cylinder with Folding key For Keyed alike order ACCY5050S1SL	1	Each	ACDV251 ACET480 ACET484-8	MF SA KL HP SSC SMC PC W Z
	ACDR052 No. 10 x 50 S/S Tapping Pan Head Screw	200	Pack		MF SA KL HP SSC SMC PC W Z
	ACDV226 Shootbolt Operating Handle	1	Each	DV620 DV622 DV624	MF SA KL HP SSC SMC PC ✓ W ✓ Z ✓
	ACDV234 Open Out D Handle Hinge Assembly Note: The Chrome Version of ACDV234 Has a Black Hinge & Chrome 'D'	1	Each	DV620 DV622 DV624	MF ✓ SA KL ✓ HP ✓ SSC SMC PC ✓ W ✓ Z ✓
	ACDV241 M4 Fixing Plate	50	Pack	ACDV586N	MF SA KL HP SSC SMC PC W Z
	MF = Mill Finish SA = Silver Anodised KL = Basic Colour HP = Special Colour SSC = Smooth Satin Chrome SMC = Smokey Chrome PC = Polished Chrome	W = White Z = Black			

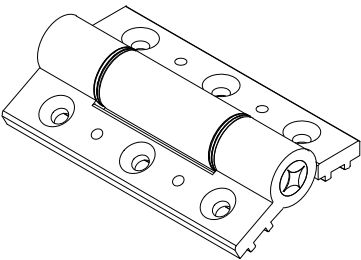
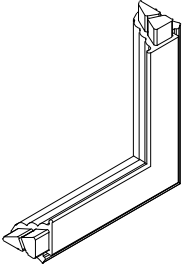
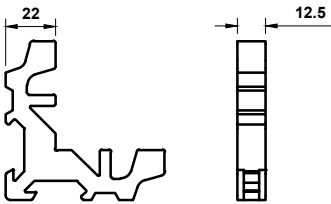
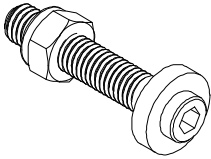
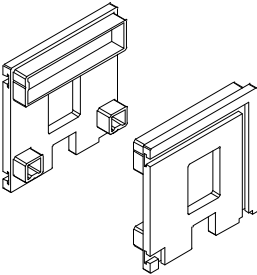


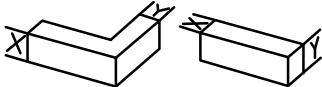
ACCESSORIES : PHOTOS & DRAWINGS

Image	Part Code	Pack	Unit	Application	Colour
	ACDV251 Lever Lever Handle. (Includes Fixings And Spindle)	1	Pair	DV620 DV622 ACDV258	MF SA KL ✓ HP ✓ SSC SMC PC ✓ W ✓ Z ✓
	ACDV258 50/50 Euro Cylinder For Use With ACDV251 Only For keyed alike order <u>ACDV258 SL</u>	1	Each	ACDV251 ACET480 ACET484-8	MF ✓ SA KL HP SSC SMC PC W Z
	ACDV266 M4 x 45mm CSK S/S Pozi Screw	100	Pack	ACDV576 ACDV577 ACDV586 ACDV676 ACDV677	MF SA KL HP SSC SMC PC W Z
	ACDV272 Sealing Gasket	100	m	DV614 DV617 DV620 DV622 DV624 DV38	MF SA KL ✓ HP SSC SMC PC W Z
	ACDV274 Open In D Handle Hinge Assembly Note: The Chrome Version of ACDV234 Has a Black Hinge & Chrome 'D'	1	Each	DV620 DV622 DV624	MF ✓ SA ✓ KL ✓ HP ✓ SSC SMC PC ✓ W ✓ Z ✓
	MF = Mill Finish SA = Silver Anodised KL = Basic Colour HP = Special Colour SSC = Smooth Satin Chrome SMC = Smokey Chrome PC = Polished Chrome	W = White Z = Black			

ACCESSORIES : PHOTOS & DRAWINGS

Image	Part Code	Pack	Unit	Application	Colour
	ACDV275 Corner Gaskets To Join ACDV272 Around Sash 1 set = 1 sash To order an individual corner type, specify letter after code: ACDV275/B	10	Sets	DV614 DV617 DV620 DV622 DV624	MF
					SA
	ACDV276 Oversize Version Of ACDV272 Please use ACDV272 as the default gasket	100	m	DV614 DV617 DV620 DV622 DV624 DV38	KL
					HP
	ACDV305 Magnetic Door Holder Use Screws ACET060 & MUA025	1	Each	DV620 DV622	SSC
					SMC
	ACDV308 Small Magnetic Catch Use Screws ACET060 & MUA025	1	Each	DV622	PC
					W
	ACDV309 Small Magnetic Catch Use Screws ACET060 & MUA025	1	Each	DV622	Z
					Z
 <p>T-BARS ACVG66=2.5mm ACVG66=3.0mm ACVL150=4.0mm</p> <p>Screw (Grub)</p>	MF = Mill Finish SA = Silver Anodised KL = Basic Colour HP = Special Colour SSC = Smooth Satin Chrome SMC = Smokey Chrome PC = Polished Chrome	W = White Z = Black			

ACCESSORIES : PHOTOS & DRAWINGS

Image	Part Code	Pack	Unit	Application	Colour																		
	ACDV331 Intermediate Hinge	1	Each	DV620 DV622 DV624	<table border="1"> <tr><td>MF</td><td>✓</td></tr> <tr><td>SA</td><td></td></tr> <tr><td>KL</td><td>✓</td></tr> <tr><td>HP</td><td>✓</td></tr> <tr><td>SSC</td><td></td></tr> <tr><td>SMC</td><td></td></tr> <tr><td>PC</td><td></td></tr> <tr><td>W</td><td>✓</td></tr> <tr><td>Z</td><td>✓</td></tr> </table>	MF	✓	SA		KL	✓	HP	✓	SSC		SMC		PC		W	✓	Z	✓
MF	✓																						
SA																							
KL	✓																						
HP	✓																						
SSC																							
SMC																							
PC																							
W	✓																						
Z	✓																						
	ACDV375 Corner Gaskets To Join ACDV272 Around Outer Frame	1	Each	DV620 DV622 DV624	<table border="1"> <tr><td>MF</td><td></td></tr> <tr><td>SA</td><td></td></tr> <tr><td>KL</td><td></td></tr> <tr><td>HP</td><td></td></tr> <tr><td>SSC</td><td></td></tr> <tr><td>SMC</td><td></td></tr> <tr><td>PC</td><td></td></tr> <tr><td>W</td><td></td></tr> <tr><td>Z</td><td>✓</td></tr> </table>	MF		SA		KL		HP		SSC		SMC		PC		W		Z	✓
MF																							
SA																							
KL																							
HP																							
SSC																							
SMC																							
PC																							
W																							
Z	✓																						
	ACDV512 Mechanical Corner Cleat	24	Pack	DV614 DV617	<table border="1"> <tr><td>MF</td><td>✓</td></tr> <tr><td>SA</td><td></td></tr> <tr><td>KL</td><td></td></tr> <tr><td>HP</td><td></td></tr> <tr><td>SSC</td><td></td></tr> <tr><td>SMC</td><td></td></tr> <tr><td>PC</td><td></td></tr> <tr><td>W</td><td></td></tr> <tr><td>Z</td><td></td></tr> </table>	MF	✓	SA		KL		HP		SSC		SMC		PC		W		Z	
MF	✓																						
SA																							
KL																							
HP																							
SSC																							
SMC																							
PC																							
W																							
Z																							
	ACDV551 Adjustable Jamb Fixing	100	Pack	DV651 DV652	<table border="1"> <tr><td>MF</td><td></td></tr> <tr><td>SA</td><td></td></tr> <tr><td>KL</td><td></td></tr> <tr><td>HP</td><td></td></tr> <tr><td>SSC</td><td></td></tr> <tr><td>SMC</td><td></td></tr> <tr><td>PC</td><td></td></tr> <tr><td>W</td><td></td></tr> <tr><td>Z</td><td></td></tr> </table>	MF		SA		KL		HP		SSC		SMC		PC		W		Z	
MF																							
SA																							
KL																							
HP																							
SSC																							
SMC																							
PC																							
W																							
Z																							
	ACDV555 PVC End Cap For DV555 Corner Post	10	Pairs	DV555	<table border="1"> <tr><td>MF</td><td></td></tr> <tr><td>SA</td><td></td></tr> <tr><td>KL</td><td></td></tr> <tr><td>HP</td><td></td></tr> <tr><td>SSC</td><td></td></tr> <tr><td>SMC</td><td></td></tr> <tr><td>PC</td><td></td></tr> <tr><td>W</td><td>✓</td></tr> <tr><td>Z</td><td>✓</td></tr> </table>	MF		SA		KL		HP		SSC		SMC		PC		W	✓	Z	✓
MF																							
SA																							
KL																							
HP																							
SSC																							
SMC																							
PC																							
W	✓																						
Z	✓																						
 <p>T-BARS ACVG65=2.5mm ACVG66=3.0mm ACVL150=4.0mm</p>  <p>Screw (Grub)</p>	<p>MF = Mill Finish SA = Silver Anodised KL = Basic Colour HP = Special Colour SSC = Smooth Satin Chrome SMC = Smokey Chrome PC = Polished Chrome</p>	<p>W = White Z = Black</p>																					

ACCESSORIES : PHOTOS & DRAWINGS

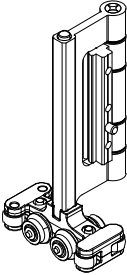
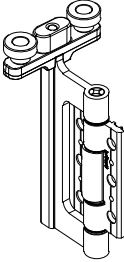
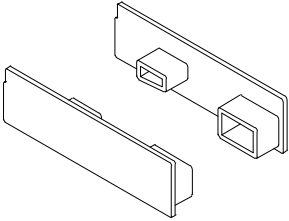
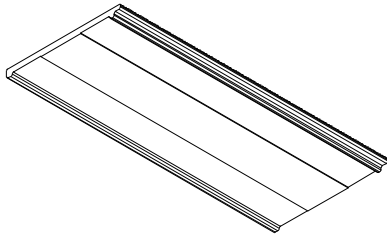

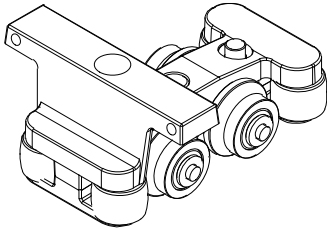
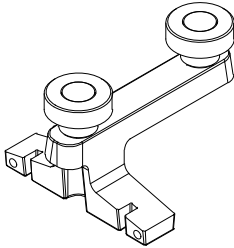
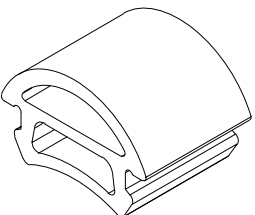
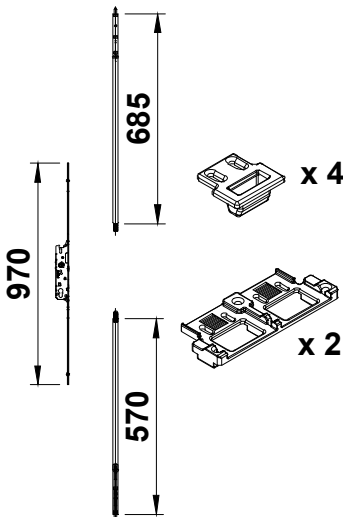




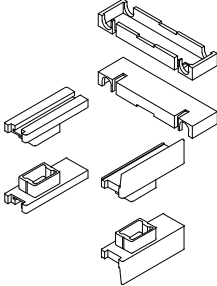
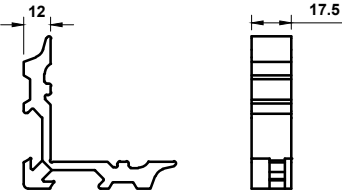
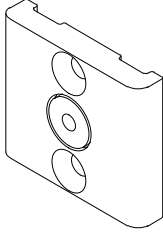
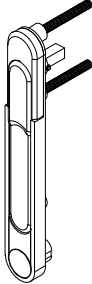
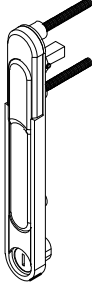
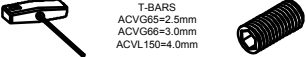
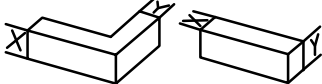
Image	Part Code	Pack	Unit	Application	Colour	
	ACDV566 Slim Line Bottom Roller	1	Each	DV620 DV622 DV624	MF	✓
					SA	✓
					KL	✓
					HP	✓
					SSC	
					SMC	
					PC	
					W	✓
					Z	✓
						ACDV567 Slim Line Top Guide
SA	✓					
KL	✓					
HP	✓					
SSC						
SMC						
PC						
W	✓					
Z	✓					
	ACDV570 PVC End Cap For DV570 Flush Cill	10	Pairs	DV570		
					SA	
					KL	
					HP	
					SSC	
					SMC	
					PC	
					W	✓
					Z	✓
						ACDV571 Bridge Packer
SA						
KL						
HP						
SSC						
SMC						
PC						
W						
Z	✓					
	MF = Mill Finish SA = Silver Anodised KL = Basic Colour HP = Special Colour SSC = Smooth Satin Chrome SMC = Smokey Chrome PC = Polished Chrome					
					SA	
					KL	
					HP	
					SSC	
					SMC	
					PC	
					W	
					Z	

Image	Part Code	Pack	Unit	Application	Colour																		
	<p>ACDV576</p> <p>25mm Back Set Multi Point Lock Kit with LEFT HAND Full Height Keep</p> <p>Viewed Externally</p> <p>Left Hand Open Out Right Hand Open In</p>	1	Each	<p>DV620 DV622 DV624 PCX44 PCX38 DV640 ACDV251 ACET480 ACET484 ACET485 ACET486 ACET487 ACET488 ACDV258</p>	<table border="1"> <tr><td>MF</td><td>✓</td></tr> <tr><td>SA</td><td></td></tr> <tr><td>KL</td><td></td></tr> <tr><td>HP</td><td></td></tr> <tr><td>SSC</td><td></td></tr> <tr><td>SMC</td><td></td></tr> <tr><td>PC</td><td></td></tr> <tr><td>W</td><td></td></tr> <tr><td>Z</td><td></td></tr> </table>	MF	✓	SA		KL		HP		SSC		SMC		PC		W		Z	
MF	✓																						
SA																							
KL																							
HP																							
SSC																							
SMC																							
PC																							
W																							
Z																							
	<p>ACDV577</p> <p>25mm Back Set Multi Point Lock Kit with RIGHT HAND Full Height Keep</p> <p>Viewed Externally</p> <p>Left Hand Open In Right Hand Open Out</p>	1	Each	<p>DV620 DV622 DV624 PCX44 PCX38 DV640 ACDV251 ACET480 ACET484 ACET485 ACET486 ACET487 ACET488 ACDV258</p>	<table border="1"> <tr><td>MF</td><td>✓</td></tr> <tr><td>SA</td><td></td></tr> <tr><td>KL</td><td></td></tr> <tr><td>HP</td><td></td></tr> <tr><td>SSC</td><td></td></tr> <tr><td>SMC</td><td></td></tr> <tr><td>PC</td><td></td></tr> <tr><td>W</td><td></td></tr> <tr><td>Z</td><td></td></tr> </table>	MF	✓	SA		KL		HP		SSC		SMC		PC		W		Z	
MF	✓																						
SA																							
KL																							
HP																							
SSC																							
SMC																							
PC																							
W																							
Z																							
	<p>MF = Mill Finish W = White</p> <p>SA = Silver Anodised Z = Black</p> <p>KL = Basic Colour</p> <p>HP = Special Colour</p> <p>SSC = Smooth Satin Chrome</p> <p>SMC = Smokey Chrome</p> <p>PC = Polished Chrome</p>																						

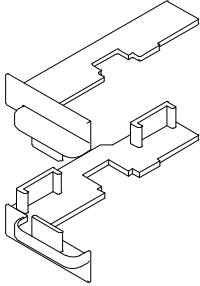
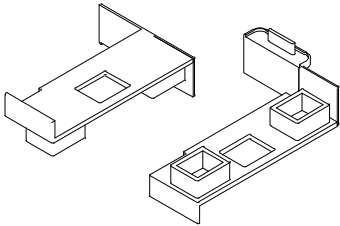
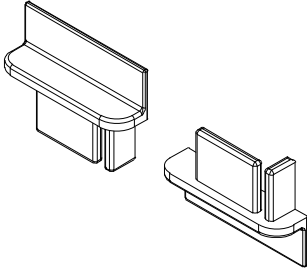
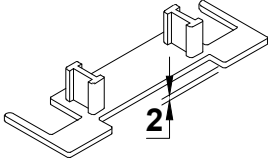
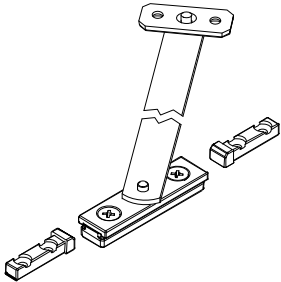



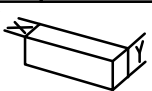
ACCESSORIES : PHOTOS & DRAWINGS

Image	Part Code	Pack	Unit	Application	Colour	
	ACDV580 Bottom Roller	1	Each	DV38 ACDV590	MF	
					SA	
					KL	
					HP	
					SSC	
					SMC	
					PC	
					W	
					Z	✓
	ACDV581 Top Guide	1	Each	DV38 ACDV590	MF	
					SA	
					KL	
					HP	
					SSC	
					SMC	
					PC	
					W	
					Z	✓
	ACDV582 Outer Frame Gasket	100	m	DV620 DV622 DV624	MF	
					SA	
					KL	
					HP	
					SSC	
					SMC	
					PC	
					W	
					Z	✓
	ACDV586N 25mm Back Set Secondary Door Lock Kit Includes: 1 x Bottom Shoot Bolt 1 x Top Shoot Bolt 4 x Keeps 2 x Underplates See Page E14 for height limitations	1	Each	DV620 DV622 DV624 PCX44 DV645 ACDV251 ACET480 ACET484 ACET485 ACET486 ACET487 ACET488 ACDV258	MF	✓
					SA	
					KL	
					HP	
					SSC	
					SMC	
					PC	
					W	
					Z	
 T-BARS ACVG66=2.5mm ACVG66=3.0mm ACVL150=4.0mm	 Screw (Grub)	MF = Mill Finish SA = Silver Anodised KL = Basic Colour HP = Special Colour SSC = Smooth Satin Chrome SMC = Smokey Chrome PC = Polished Chrome	W = White Z = Black	 		

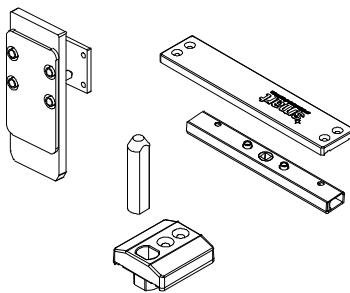
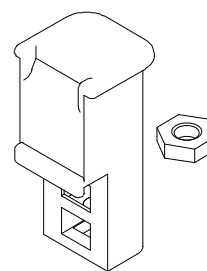
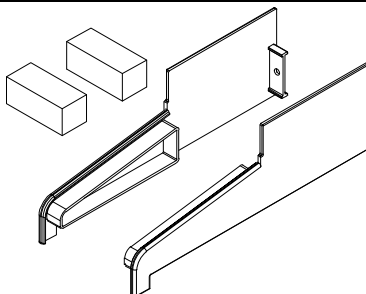
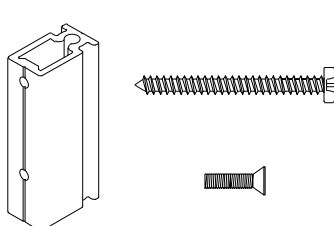
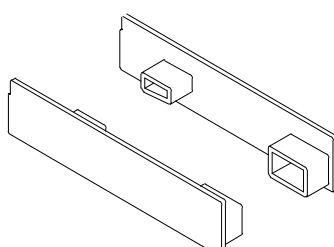

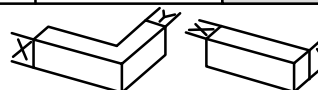
ACCESSORIES : PHOTOS & DRAWINGS

Image	Part Code	Pack	Unit	Application	Colour																		
	ACDV590 Top & Bottom Roller Kit	10	Pack	DV38 ACDV580 ACDV581	<table border="1"> <tr><td>MF</td><td></td></tr> <tr><td>SA</td><td></td></tr> <tr><td>KL</td><td></td></tr> <tr><td>HP</td><td></td></tr> <tr><td>SSC</td><td></td></tr> <tr><td>SMC</td><td></td></tr> <tr><td>PC</td><td></td></tr> <tr><td>W</td><td></td></tr> <tr><td>Z</td><td>✓</td></tr> </table>	MF		SA		KL		HP		SSC		SMC		PC		W		Z	✓
MF																							
SA																							
KL																							
HP																							
SSC																							
SMC																							
PC																							
W																							
Z	✓																						
	ACDV620 Mechanical Corner Cleat	24	Pack	DV620 DV622 DV624	<table border="1"> <tr><td>MF</td><td>✓</td></tr> <tr><td>SA</td><td></td></tr> <tr><td>KL</td><td></td></tr> <tr><td>HP</td><td></td></tr> <tr><td>SSC</td><td></td></tr> <tr><td>SMC</td><td></td></tr> <tr><td>PC</td><td></td></tr> <tr><td>W</td><td></td></tr> <tr><td>Z</td><td></td></tr> </table>	MF	✓	SA		KL		HP		SSC		SMC		PC		W		Z	
MF	✓																						
SA																							
KL																							
HP																							
SSC																							
SMC																							
PC																							
W																							
Z																							
	ACDV623 M4 Fixing Plate	50	Pack	ACDV576 ACDV577 ACDV586N ACDV676 ACDV677	<table border="1"> <tr><td>MF</td><td></td></tr> <tr><td>SA</td><td></td></tr> <tr><td>KL</td><td></td></tr> <tr><td>HP</td><td></td></tr> <tr><td>SSC</td><td></td></tr> <tr><td>SMC</td><td></td></tr> <tr><td>PC</td><td></td></tr> <tr><td>W</td><td></td></tr> <tr><td>Z</td><td></td></tr> </table>	MF		SA		KL		HP		SSC		SMC		PC		W		Z	
MF																							
SA																							
KL																							
HP																							
SSC																							
SMC																							
PC																							
W																							
Z																							
	ACDV624 Non-Locking Pop Up Handle	1	Each	DV620 DV622 DV624	<table border="1"> <tr><td>MF</td><td></td></tr> <tr><td>SA</td><td></td></tr> <tr><td>KL</td><td>✓</td></tr> <tr><td>HP</td><td>✓</td></tr> <tr><td>SSC</td><td></td></tr> <tr><td>SMC</td><td></td></tr> <tr><td>PC</td><td></td></tr> <tr><td>W</td><td>✓</td></tr> <tr><td>Z</td><td>✓</td></tr> </table>	MF		SA		KL	✓	HP	✓	SSC		SMC		PC		W	✓	Z	✓
MF																							
SA																							
KL	✓																						
HP	✓																						
SSC																							
SMC																							
PC																							
W	✓																						
Z	✓																						
	ACDV625 Locking Pop Up Handle	1	Each	DV620 DV622 DV624	<table border="1"> <tr><td>MF</td><td></td></tr> <tr><td>SA</td><td></td></tr> <tr><td>KL</td><td>✓</td></tr> <tr><td>HP</td><td>✓</td></tr> <tr><td>SSC</td><td></td></tr> <tr><td>SMC</td><td></td></tr> <tr><td>PC</td><td></td></tr> <tr><td>W</td><td>✓</td></tr> <tr><td>Z</td><td>✓</td></tr> </table>	MF		SA		KL	✓	HP	✓	SSC		SMC		PC		W	✓	Z	✓
MF																							
SA																							
KL	✓																						
HP	✓																						
SSC																							
SMC																							
PC																							
W	✓																						
Z	✓																						
 <p>T-BARS ACVG65=2.5mm ACVG66=3.0mm ACVL150=4.0mm</p> <p>Screw (Grub)</p>	<p>MF = Mill Finish SA = Silver Anodised KL = Basic Colour HP = Special Colour SSC = Smooth Satin Chrome SMC = Smokey Chrome PC = Polished Chrome</p> <p>W = White Z = Black</p>																						

ACCESSORIES : PHOTOS & DRAWINGS

Image	Part Code	Pack	Unit	Application	Colour																		
	ACDV640N Primary Door End Cap	1	Pair	DV640 DV662	<table border="1"> <tr><td>MF</td><td></td></tr> <tr><td>SA</td><td></td></tr> <tr><td>KL</td><td></td></tr> <tr><td>HP</td><td></td></tr> <tr><td>SSC</td><td></td></tr> <tr><td>SMC</td><td></td></tr> <tr><td>PC</td><td></td></tr> <tr><td>W</td><td>✓</td></tr> <tr><td>Z</td><td>✓</td></tr> </table>	MF		SA		KL		HP		SSC		SMC		PC		W	✓	Z	✓
MF																							
SA																							
KL																							
HP																							
SSC																							
SMC																							
PC																							
W	✓																						
Z	✓																						
	ACDV642N Secondary Door End Cap	1	Pair	DV645 DV662	<table border="1"> <tr><td>MF</td><td></td></tr> <tr><td>SA</td><td></td></tr> <tr><td>KL</td><td></td></tr> <tr><td>HP</td><td></td></tr> <tr><td>SSC</td><td></td></tr> <tr><td>SMC</td><td></td></tr> <tr><td>PC</td><td></td></tr> <tr><td>W</td><td>✓</td></tr> <tr><td>Z</td><td>✓</td></tr> </table>	MF		SA		KL		HP		SSC		SMC		PC		W	✓	Z	✓
MF																							
SA																							
KL																							
HP																							
SSC																							
SMC																							
PC																							
W	✓																						
Z	✓																						
	ACDV643 Rebate Adapter End Cap	1	Pair	DV662	<table border="1"> <tr><td>MF</td><td></td></tr> <tr><td>SA</td><td></td></tr> <tr><td>KL</td><td></td></tr> <tr><td>HP</td><td></td></tr> <tr><td>SSC</td><td></td></tr> <tr><td>SMC</td><td></td></tr> <tr><td>PC</td><td></td></tr> <tr><td>W</td><td>✓</td></tr> <tr><td>Z</td><td>✓</td></tr> </table>	MF		SA		KL		HP		SSC		SMC		PC		W	✓	Z	✓
MF																							
SA																							
KL																							
HP																							
SSC																							
SMC																							
PC																							
W	✓																						
Z	✓																						
	ACDV647 DV652 End Cap	10	Pack	DV651 DV652	<table border="1"> <tr><td>MF</td><td></td></tr> <tr><td>SA</td><td></td></tr> <tr><td>KL</td><td></td></tr> <tr><td>HP</td><td></td></tr> <tr><td>SSC</td><td></td></tr> <tr><td>SMC</td><td></td></tr> <tr><td>PC</td><td></td></tr> <tr><td>W</td><td>✓</td></tr> <tr><td>Z</td><td>✓</td></tr> </table>	MF		SA		KL		HP		SSC		SMC		PC		W	✓	Z	✓
MF																							
SA																							
KL																							
HP																							
SSC																							
SMC																							
PC																							
W	✓																						
Z	✓																						
	ACDV658 Door Stop Restrictor	1	Each	DV620 DV622 DV624	<table border="1"> <tr><td>MF</td><td>✓</td></tr> <tr><td>SA</td><td></td></tr> <tr><td>KL</td><td></td></tr> <tr><td>HP</td><td></td></tr> <tr><td>SSC</td><td></td></tr> <tr><td>SMC</td><td></td></tr> <tr><td>PC</td><td></td></tr> <tr><td>W</td><td></td></tr> <tr><td>Z</td><td></td></tr> </table>	MF	✓	SA		KL		HP		SSC		SMC		PC		W		Z	
MF	✓																						
SA																							
KL																							
HP																							
SSC																							
SMC																							
PC																							
W																							
Z																							
 <p>T-BARS ACV666=2.5mm ACV666=3.0mm ACVL150=4.0mm</p>  <p>Screw (Grub)</p>	<p>MF = Mill Finish SA = Silver Anodised KL = Basic Colour HP = Special Colour SSC = Smooth Satin Chrome SMC = Smokey Chrome PC = Polished Chrome</p> <p>W = White Z = Black</p>	 																					

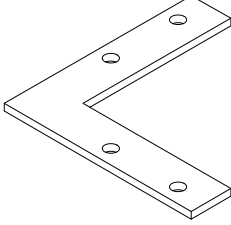
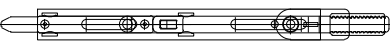
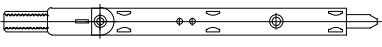




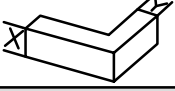
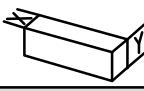
ACCESSORIES : PHOTOS & DRAWINGS

Image	Part Code	Pack	Unit	Application	Colour
	ACDV663 Shoot Bolt Kit With Gear Box and PVC Cover (Includes Shoot Bolt Rods)	1	Pack	DV620 DV622 DV624 ACDV226 ACDV624 ACDV625	MF SA KL HP SSC SMC PC W Z <input checked="" type="checkbox"/>
	ACDV667 Threshold Keeps	1	Pair	DV614 DV617 DV676	MF SA KL HP SSC SMC PC W Z
	ACDV668 End Cap Kit	1	Pack	DV676	MF SA KL <input checked="" type="checkbox"/> HP SSC SMC PC W <input checked="" type="checkbox"/> Z <input checked="" type="checkbox"/>
	ACDV669 Bracket (4 per pack)	1	Pack	DV617 DV676	MF <input checked="" type="checkbox"/> SA KL HP SSC SMC PC W Z
	ACDV670 PVC End Cap For DV670 Flush Cill	10	Pairs	DV670	MF SA KL HP SSC SMC PC W <input checked="" type="checkbox"/> Z <input checked="" type="checkbox"/>
	MF = Mill Finish SA = Silver Anodised KL = Basic Colour HP = Special Colour SSC = Smooth Satin Chrome SMC = Smokey Chrome PC = Polished Chrome	W = White Z = Black			

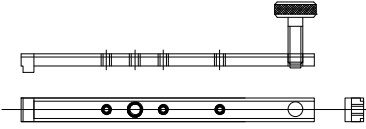
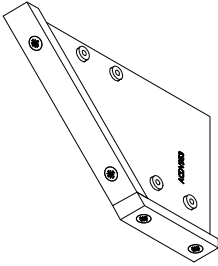
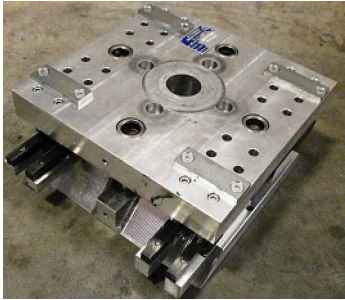




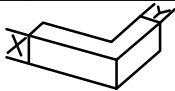
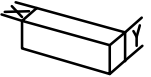
ACCESSORIES : PHOTOS & DRAWINGS

Image	Part Code	Pack	Unit	Application	Colour
	<p>ACDV676</p> <p>Short 25mm Back Set Multi Point Lock Kit with LEFT HAND Full Height Keep Double Doors Only</p> <p>Viewed Externally</p> <p>Left Hand Open Out Right Hand Open In</p>	1	Each	<p>DV620 DV622 DV624 PCX44 PCX38 DV640 ACDV251 ACET480 ACET484 ACET485 ACET486 ACET487 ACET488 ACDV258</p>	MF <input checked="" type="checkbox"/>
					SA <input type="checkbox"/>
	<p>ACDV677</p> <p>Short 25mm Back Set Multi Point Lock Kit with RIGHT HAND Full Height Keep Double Doors Only</p> <p>Viewed Externally</p> <p>Left Hand Open In Right Hand Open Out</p>	1	Each	<p>DV620 DV622 DV624 PCX44 PCX38 DV640 ACDV251 ACET480 ACET484 ACET485 ACET486 ACET487 ACET488 ACDV258</p>	MF <input checked="" type="checkbox"/>
					SA <input type="checkbox"/>
	<p>MF = Mill Finish W = White</p> <p>SA = Silver Anodised Z = Black</p> <p>KL = Basic Colour</p> <p>HP = Special Colour</p> <p>SSC = Smooth Satin Chrome</p> <p>SMC = Smokey Chrome</p> <p>PC = Polished Chrome</p>				

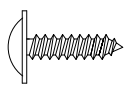
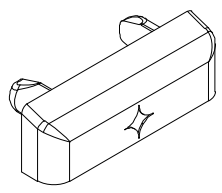
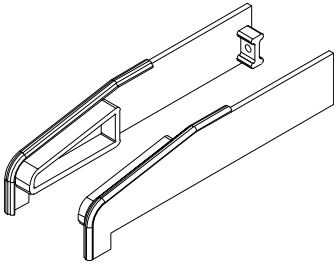
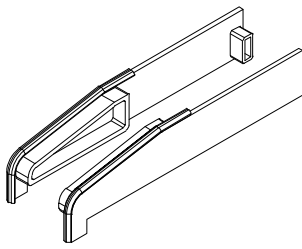
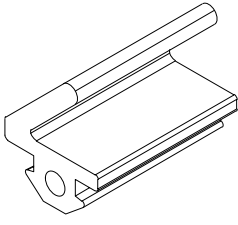


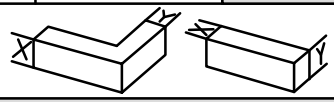
ACCESSORIES : PHOTOS & DRAWINGS

Image	Part Code	Pack	Unit	Application	Colour
	ACDV682 90° Fixing Bracket For Corner Assembly	4	Pack	DV614 DV617	MF <input checked="" type="checkbox"/> SA <input type="checkbox"/> KL <input type="checkbox"/> HP <input type="checkbox"/> SSC <input type="checkbox"/> SMC <input type="checkbox"/> PC <input type="checkbox"/> W <input type="checkbox"/> Z <input type="checkbox"/>
	ACDV737 Bottom Shoot Bolt	1	Each	DV620 DV622 DV624	MF <input checked="" type="checkbox"/> SA <input type="checkbox"/> KL <input type="checkbox"/> HP <input type="checkbox"/> SSC <input type="checkbox"/> SMC <input type="checkbox"/> PC <input type="checkbox"/> W <input type="checkbox"/> Z <input type="checkbox"/>
	ACDV738 Top Shoot Bolt	1	Each	DV620 DV622 DV624	MF <input checked="" type="checkbox"/> SA <input type="checkbox"/> KL <input type="checkbox"/> HP <input type="checkbox"/> SSC <input type="checkbox"/> SMC <input type="checkbox"/> PC <input type="checkbox"/> W <input type="checkbox"/> Z <input type="checkbox"/>
	ACDV742 200mm Extension For ACDV738	1	Each	DV620 DV622 DV624	MF <input checked="" type="checkbox"/> SA <input type="checkbox"/> KL <input type="checkbox"/> HP <input type="checkbox"/> SSC <input type="checkbox"/> SMC <input type="checkbox"/> PC <input type="checkbox"/> W <input type="checkbox"/> Z <input type="checkbox"/>
	ACDV744 400mm Extension For ACDV738	1	Each	DV620 DV622 DV624	MF <input checked="" type="checkbox"/> SA <input type="checkbox"/> KL <input type="checkbox"/> HP <input type="checkbox"/> SSC <input type="checkbox"/> SMC <input type="checkbox"/> PC <input type="checkbox"/> W <input type="checkbox"/> Z <input type="checkbox"/>
 <p>T-BARS ACVG65=2.5mm ACVG66=3.0mm ACVL150=4.0mm</p>  <p>Screw (Grub)</p>	<p>MF = Mill Finish SA = Silver Anodised KL = Basic Colour HP = Special Colour SSC = Smooth Satin Chrome SMC = Smokey Chrome PC = Polished Chrome</p>	<p>W = White Z = Black</p>	 		

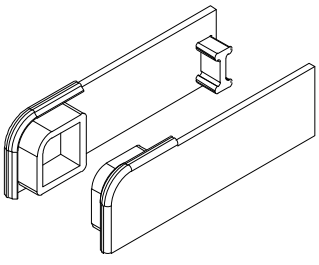
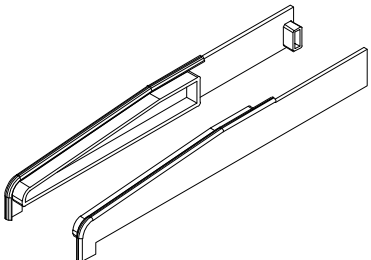
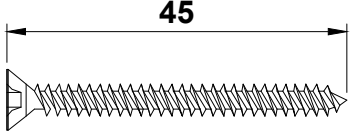
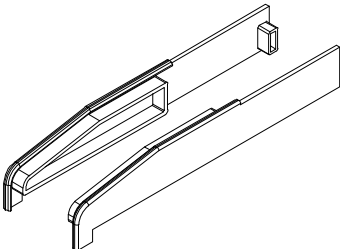
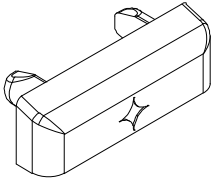


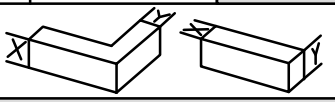
ACCESSORIES : PHOTOS & DRAWINGS

Image	Part Code	Pack	Unit	Application	Colour
	ACDV902 Drill Jig for ACDV566 & ACDV567	1	Each	ACDV566 ACDV567	MF
					SA
					KL
					HP
					SSC
					SMC
					PC
					W
Z					
	ACDV953 Corner Drill Jig For 90° Corner	1	Each	DV614 DV617	MF
					SA
					KL
					HP
					SSC
					SMC
					PC
					W
Z					
	ACDV955 Punch tool. base unit: ACIP911 (supplied separately)	1	Each	DV620 DV622 DV614 DV617	MF
					SA
					KL
					HP
					SSC
					SMC
					PC
					W
Z					
	ACET060 No. 7 x 1" csk s/s s/t Screw	100	Pack		MF
					SA
					KL
					HP
					SSC
					SMC
					PC
					W
Z					
	ACET066 No.7 x 38 s/s s/t csk Screw	100	Pack		MF
					SA
					KL
					HP
					SSC
					SMC
					PC
					W
Z					
 T-BARS ACVG65=2.5mm ACVG66=3.0mm ACVL150=4.0mm	 Screw (Grub)	MF = Mill Finish SA = Silver Anodised KL = Basic Colour HP = Special Colour SSC = Smooth Satin Chrome SMC = Smokey Chrome PC = Polished Chrome	W = White Z = Black	 	

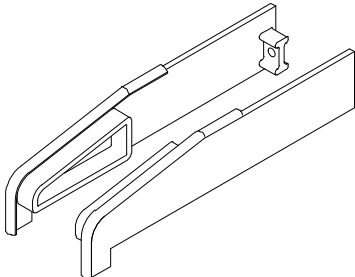
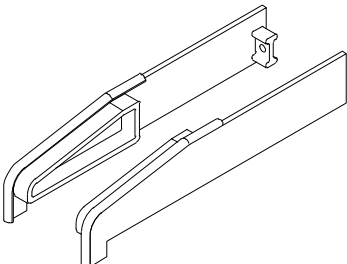
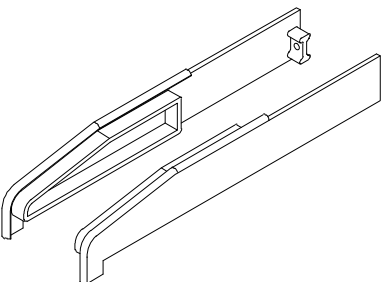
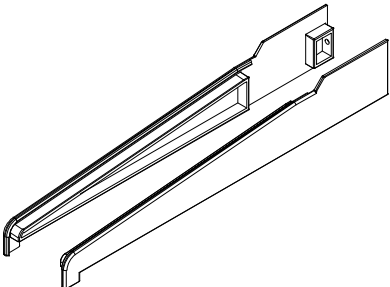
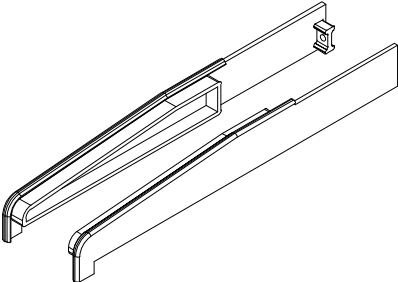

ACCESSORIES : PHOTOS & DRAWINGS

Image	Part Code	Pack	Unit	Application	Colour	
	ACET070 No.8 x 13 s/s s/t Flange Screw	100	Pack		MF	
					SA	
					KL	
					HP	
					SSC	
					SMC	
					PC	
					W	
					Z	
	ACET131 Drainage Cap	100	Pack	DV614 DV617	MF	
					SA	
					KL	
					HP	
					SSC	
					SMC	
					PC	
					W	✓
					Z	✓
	ACET152 PVC End Cap For ETC452 Cill	10	Pairs	ETC452	MF	
					SA	
					KL	
					HP	
					SSC	
					SMC	
					PC	
					W	✓
					Z	✓
	ACET157 PVC End Cap For ETC457 Cill	10	Pairs	ETC457	MF	
					SA	
					KL	
					HP	
					SSC	
					SMC	
					PC	
					W	✓
					Z	✓
	ACET160 Flipper Gasket	100	m	DV662	MF	
					SA	
					KL	
					HP	
					SSC	
					SMC	
					PC	
					W	
					Z	✓
 T-BARS ACVG66=2.5mm ACVG66=3.0mm ACVL150=4.0mm	 Screw (Grub)	MF = Mill Finish SA = Silver Anodised KL = Basic Colour HP = Special Colour SSC = Smooth Satin Chrome SMC = Smokey Chrome PC = Polished Chrome	W = White Z = Black			








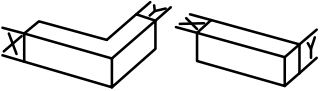
ACCESSORIES : PHOTOS & DRAWINGS

Image	Part Code	Pack	Unit	Application	Colour	
	ACET178 PVC End Cap For ETC451 Cill	10	Pairs	ETC451	MF	
					SA	
					KL	
					HP	
					SSC	
					SMC	
					PC	
					W	✓
					Z	✓
	ACET179 PVC End Cap For ETC479 Cill	10	Pairs	ETC479	MF	
					SA	
					KL	
					HP	
					SSC	
					SMC	
					PC	
					W	✓
					Z	✓
	ACET190 Double Pitch Screw 4.3 x 45mm	1000	Pack		MF	
					SA	
					KL	
					HP	
					SSC	
					SMC	
					PC	
					W	
					Z	
	ACET258 PVC End Cap For ETC458 Cill	10	Pairs	ETC458	MF	
					SA	
					KL	
					HP	
					SSC	
					SMC	
					PC	
					W	✓
					Z	✓
	ACET431 Colour Match Drainage Cap	100	Pack	DV614 DV617	MF	
					SA	
					KL	✓
					HP	✓
					SSC	
					SMC	
					PC	
					W	✓
					Z	✓
 T-BARS ACV666=2.5mm ACV666=3.0mm ACVL150=4.0mm	 Screw (Grub)	MF = Mill Finish SA = Silver Anodised KL = Basic Colour HP = Special Colour SSC = Smooth Satin Chrome SMC = Smokey Chrome PC = Polished Chrome	W = White Z = Black			


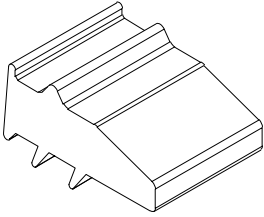
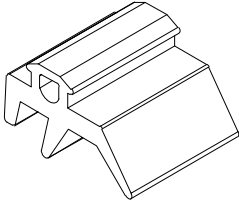
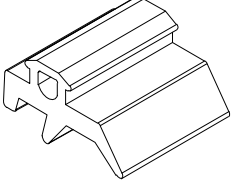
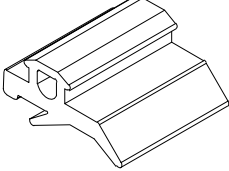


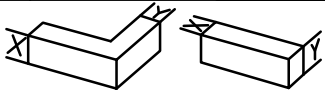
ACCESSORIES : PHOTOS & DRAWINGS

Image	Part Code	Pack	Unit	Application	Colour
	ACET452 Cast Aluminium End Cap For ETC452 Cill	10	Pairs	ETC452	MF <input checked="" type="checkbox"/>
					SA <input type="checkbox"/>
					KL <input checked="" type="checkbox"/>
					HP <input checked="" type="checkbox"/>
					SSC <input type="checkbox"/>
					SMC <input type="checkbox"/>
					PC <input type="checkbox"/>
					W <input checked="" type="checkbox"/>
					Z <input checked="" type="checkbox"/>
					
SA <input type="checkbox"/>					
KL <input checked="" type="checkbox"/>					
HP <input checked="" type="checkbox"/>					
SSC <input type="checkbox"/>					
SMC <input type="checkbox"/>					
PC <input type="checkbox"/>					
W <input checked="" type="checkbox"/>					
Z <input checked="" type="checkbox"/>					
	ACET458 Cast Aluminium End Cap For ETC458 Cill	10	Pairs	ETC458	
					SA <input type="checkbox"/>
					KL <input checked="" type="checkbox"/>
					HP <input checked="" type="checkbox"/>
					SSC <input type="checkbox"/>
					SMC <input type="checkbox"/>
					PC <input type="checkbox"/>
					W <input checked="" type="checkbox"/>
					Z <input checked="" type="checkbox"/>
					
SA <input type="checkbox"/>					
KL <input checked="" type="checkbox"/>					
HP <input checked="" type="checkbox"/>					
SSC <input type="checkbox"/>					
SMC <input type="checkbox"/>					
PC <input type="checkbox"/>					
W <input checked="" type="checkbox"/>					
Z <input checked="" type="checkbox"/>					
	ACET479 Cast Aluminium End Cap For ETC479 Cill	10	Pairs	ETC479	
					SA <input type="checkbox"/>
					KL <input checked="" type="checkbox"/>
					HP <input checked="" type="checkbox"/>
					SSC <input type="checkbox"/>
					SMC <input type="checkbox"/>
					PC <input type="checkbox"/>
					W <input checked="" type="checkbox"/>
					Z <input checked="" type="checkbox"/>
					 <small>T-BARS ACVG66=2.5mm ACVG66=3.0mm ACVL150=4.0mm</small>



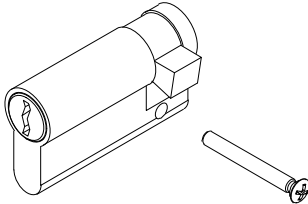
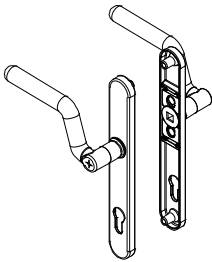
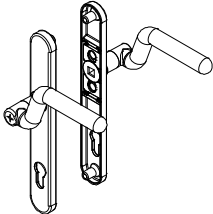


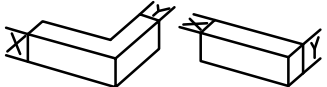
ACCESSORIES : PHOTOS & DRAWINGS

Image	Part Code	Pack	Unit	Application	Colour	
	ACET480 PAS24 Standard Lever/Lever Handle	1	Pair	DV620 DV622 DV624	MF	
					SA	
					KL	✓
					HP	✓
					SSC	✓
					SMC	✓
					PC	✓
					W	✓
					Z	✓
	ACET484 Standard Lever/Lever Handle (Includes Fixings and Spindle)	1	Pair	DV620 DV622 DV624	MF	
					SA	
					KL	✓
					HP	✓
					SSC	✓
					SMC	✓
					PC	✓
					W	✓
					Z	✓
	ACET486 Swept Lever/Lever Handle (Includes Fixings and Spindle)	1	Pair	DV620 DV622 DV624	MF	
					SA	
					KL	✓
					HP	✓
					SSC	✓
					SMC	✓
					PC	✓
					W	✓
					Z	✓
	ACET487 Oval Lever/Lever Handle (Includes Fixings and Spindle)	1	Pair	DV620 DV622 DV624	MF	
					SA	
					KL	✓
					HP	✓
					SSC	✓
					SMC	✓
					PC	✓
					W	✓
					Z	✓
	ACET488 Round Lever/Lever Handle (Includes Fixings and Spindle)	1	Pair	DV620 DV622 DV624	MF	
					SA	
					KL	✓
					HP	✓
					SSC	✓
					SMC	✓
					PC	✓
					W	✓
					Z	✓
 T-BARS ACVG66=2.5mm ACVG66=3.0mm ACVL150=4.0mm	 Screw (Grub)	MF = Mill Finish SA = Silver Anodised KL = Basic Colour HP = Special Colour SSC = Smooth Satin Chrome SMC = Smokey Chrome PC = Polished Chrome	W = White Z = Black			

ACCESSORIES : PHOTOS & DRAWINGS

Image	Part Code	Pack	Unit	Application	Colour																		
	ACET490 4.3 X 16mm Polyamide Screws	100	Pack		<table border="1"> <tr><td>MF</td><td></td></tr> <tr><td>SA</td><td></td></tr> <tr><td>KL</td><td></td></tr> <tr><td>HP</td><td></td></tr> <tr><td>SSC</td><td></td></tr> <tr><td>SMC</td><td></td></tr> <tr><td>PC</td><td></td></tr> <tr><td>W</td><td></td></tr> <tr><td>Z</td><td></td></tr> </table>	MF		SA		KL		HP		SSC		SMC		PC		W		Z	
MF																							
SA																							
KL																							
HP																							
SSC																							
SMC																							
PC																							
W																							
Z																							
	ACET840 5mm Low Line Wedge Gasket	150	m	ETC270 ETC272 ETC267 ETC667 DV664	<table border="1"> <tr><td>MF</td><td></td></tr> <tr><td>SA</td><td></td></tr> <tr><td>KL</td><td></td></tr> <tr><td>HP</td><td></td></tr> <tr><td>SSC</td><td></td></tr> <tr><td>SMC</td><td></td></tr> <tr><td>PC</td><td></td></tr> <tr><td>W</td><td></td></tr> <tr><td>Z</td><td>✓</td></tr> </table>	MF		SA		KL		HP		SSC		SMC		PC		W		Z	✓
MF																							
SA																							
KL																							
HP																							
SSC																							
SMC																							
PC																							
W																							
Z	✓																						
	ACET841 4mm Low Line External Gasket	200	m	DV620 DV622 DV624 DV634	<table border="1"> <tr><td>MF</td><td></td></tr> <tr><td>SA</td><td></td></tr> <tr><td>KL</td><td></td></tr> <tr><td>HP</td><td></td></tr> <tr><td>SSC</td><td></td></tr> <tr><td>SMC</td><td></td></tr> <tr><td>PC</td><td></td></tr> <tr><td>W</td><td></td></tr> <tr><td>Z</td><td>✓</td></tr> </table>	MF		SA		KL		HP		SSC		SMC		PC		W		Z	✓
MF																							
SA																							
KL																							
HP																							
SSC																							
SMC																							
PC																							
W																							
Z	✓																						
	ACET842 3mm Low Line External Gasket	200	m	DV620 DV622 DV624 DV634	<table border="1"> <tr><td>MF</td><td></td></tr> <tr><td>SA</td><td></td></tr> <tr><td>KL</td><td></td></tr> <tr><td>HP</td><td></td></tr> <tr><td>SSC</td><td></td></tr> <tr><td>SMC</td><td></td></tr> <tr><td>PC</td><td></td></tr> <tr><td>W</td><td></td></tr> <tr><td>Z</td><td>✓</td></tr> </table>	MF		SA		KL		HP		SSC		SMC		PC		W		Z	✓
MF																							
SA																							
KL																							
HP																							
SSC																							
SMC																							
PC																							
W																							
Z	✓																						
	ACET843 2mm Low Line External Gasket	200	m	DV620 DV622 DV624 DV634	<table border="1"> <tr><td>MF</td><td></td></tr> <tr><td>SA</td><td></td></tr> <tr><td>KL</td><td></td></tr> <tr><td>HP</td><td></td></tr> <tr><td>SSC</td><td></td></tr> <tr><td>SMC</td><td></td></tr> <tr><td>PC</td><td></td></tr> <tr><td>W</td><td></td></tr> <tr><td>Z</td><td>✓</td></tr> </table>	MF		SA		KL		HP		SSC		SMC		PC		W		Z	✓
MF																							
SA																							
KL																							
HP																							
SSC																							
SMC																							
PC																							
W																							
Z	✓																						
 <p>T-BARS ACVG665=2.5mm ACVG666=3.0mm ACVL150=4.0mm</p>  <p>Screw (Grub)</p>	<p>MF = Mill Finish SA = Silver Anodised KL = Basic Colour HP = Special Colour SSC = Smooth Satin Chrome SMC = Smokey Chrome PC = Polished Chrome</p>	<p>W = White Z = Black</p>																					

ACCESSORIES : PHOTOS & DRAWINGS

Image	Part Code	Pack	Unit	Application	Colour	
	ACIM062 No.10 x 32mm CSK S/S Pozi Screw	100	Pack		MF	✓
					SA	
					KL	
					HP	
					SSC	
					SMC	
					PC	
					W	
					Z	
	ACIM414 M4 x 16mm CSK S/S Pozi Screw	100	Pack		MF	✓
					SA	
					KL	
					HP	
					SSC	
					SMC	
					PC	
					W	
					Z	
	ACMX01604 45 Half Cylinder For keyed alike order <u>ACMX01604SL</u>	1	Pack	ACDV251	MF	✓
					SA	
					KL	
					HP	
					SSC	
					SMC	
					PC	
					W	
					Z	
	ACSM006L Cranked Back to Back Handle (Includes Fixing Kit)	1	Pair	DV620 DV622 DV624	MF	✓
					SA	
					KL	✓
					HP	✓
					SSC	
					SMC	
					PC	
					W	✓
					Z	✓
	ACSM006R Cranked Back to Back Handle (Includes Fixing Kit)	1	Pair	DV620 DV622 DV624	MF	✓
					SA	
					KL	✓
					HP	✓
					SSC	
					SMC	
					PC	
					W	✓
					Z	✓
 T-BARS ACVG65=2.5mm ACVG66=3.0mm ACVL150=4.0mm	 Screw (Grub)	MF = Mill Finish SA = Silver Anodised KL = Basic Colour HP = Special Colour SSC = Smooth Satin Chrome SMC = Smokey Chrome PC = Polished Chrome	W = White Z = Black			

ACCESSORIES : PHOTOS & DRAWINGS

Image	Part Code	Pack	Unit	Application	Colour	
	ACSR011 Brush Pile	100	m	DV62	MF	
					SA	
					KL	
					HP	
					SSC	
					SMC	
					PC	
					W	
					Z	✓
	ACSR012A Brush Pile	100	m	ACDV590	MF	
					SA	
					KL	
					HP	
					SSC	
					SMC	
					PC	
					W	
					Z	✓
	ACVL059 End Caps for VL72	100	Pack		MF	
					SA	
					KL	
					HP	
					SSC	
					SMC	
					PC	
					W	✓
					Z	✓
	ACVL061 Rivet for VL72/VL76	100	Pack		MF	
					SA	
					KL	
					HP	
					SSC	
					SMC	
					PC	
					W	
					Z	
	ACW20024 Stainless Steel Chevron	100	Pack	DV614 DV617	MF	
					SA	
					KL	
					HP	
					SSC	
					SMC	
					PC	
					W	
					Z	
<p>T-BARS ACVG65=2.5mm ACVG66=3.0mm ACVL150=4.0mm</p> <p>Screw (Grub)</p>	MF = Mill Finish SA = Silver Anodised KL = Basic Colour HP = Special Colour SSC = Smooth Satin Chrome SMC = Smokey Chrome PC = Polished Chrome	W = White Z = Black				

ACCESSORIES : PHOTOS & DRAWINGS

Image	Part Code	Pack	Unit	Application	Colour
	MUA025SSZ No.6 x 1" csk Pozi SS Screw	100	Pack		MF <input checked="" type="checkbox"/>
					SA <input type="checkbox"/>
					KL <input type="checkbox"/>
					HP <input type="checkbox"/>
					SSC <input type="checkbox"/>
					SMC <input type="checkbox"/>
					PC <input type="checkbox"/>
					W <input type="checkbox"/>
					Z <input type="checkbox"/>
	WCA106 Stainless Steel Chevron	50	Pack	DV620 DV622 DV624	MF <input checked="" type="checkbox"/>
					SA <input type="checkbox"/>
					KL <input type="checkbox"/>
					HP <input type="checkbox"/>
					SSC <input type="checkbox"/>
					SMC <input type="checkbox"/>
					PC <input type="checkbox"/>
					W <input type="checkbox"/>
					Z <input type="checkbox"/>
					MF <input type="checkbox"/>
					SA <input type="checkbox"/>
					KL <input type="checkbox"/>
					HP <input type="checkbox"/>
					SSC <input type="checkbox"/>
					SMC <input type="checkbox"/>
					PC <input type="checkbox"/>
					W <input type="checkbox"/>
					Z <input type="checkbox"/>
					MF <input type="checkbox"/>
					SA <input type="checkbox"/>
					KL <input type="checkbox"/>
					HP <input type="checkbox"/>
					SSC <input type="checkbox"/>
					SMC <input type="checkbox"/>
					PC <input type="checkbox"/>
					W <input type="checkbox"/>
					Z <input type="checkbox"/>
<p>T-BARS ACVG66=2.5mm ACVG66=3.0mm ACVL150=4.0mm</p> <p>Screw (Grub)</p>	MF = Mill Finish SA = Silver Anodised KL = Basic Colour HP = Special Colour SSC = Smooth Satin Chrome SMC = Smokey Chrome PC = Polished Chrome				W = White
					Z = Black

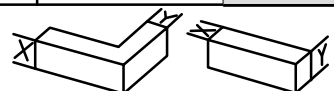
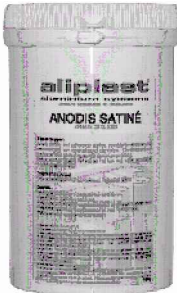

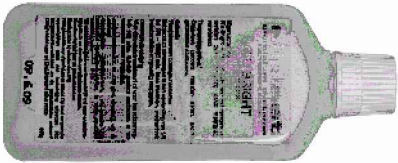
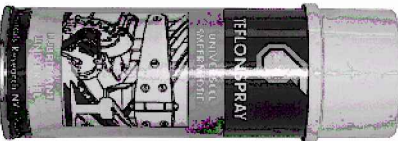




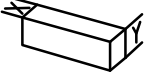


Image	Part Code	Pack	Unit	Application	Colour
	ACMX09700 Alu-Polish Cleaning emulsion for aluminium oxide.	1	each		MF <input checked="" type="checkbox"/> SA <input type="checkbox"/> KL <input type="checkbox"/> HP <input type="checkbox"/> SSC <input type="checkbox"/> SMC <input type="checkbox"/> W <input type="checkbox"/> Z <input type="checkbox"/> PC <input type="checkbox"/>
	ACMX09761 Maxi Gloss Protection for painted and anodised surfaces.	1	each		MF <input type="checkbox"/> SA <input type="checkbox"/> KL <input type="checkbox"/> HP <input type="checkbox"/> SSC <input type="checkbox"/> SMC <input type="checkbox"/> W <input type="checkbox"/> Z <input type="checkbox"/> PC <input type="checkbox"/>
	ACMX09762 Alu. Bright Cleaner for rough, anodised or enamelled aluminium frames.	1	each		MF <input type="checkbox"/> SA <input type="checkbox"/> KL <input type="checkbox"/> HP <input type="checkbox"/> SSC <input type="checkbox"/> SMC <input type="checkbox"/> W <input type="checkbox"/> Z <input type="checkbox"/> PC <input type="checkbox"/>
	ACMX09763 Teflon Spray Lubricant	1	each		MF <input type="checkbox"/> SA <input type="checkbox"/> KL <input type="checkbox"/> HP <input type="checkbox"/> SSC <input type="checkbox"/> SMC <input type="checkbox"/> W <input type="checkbox"/> Z <input type="checkbox"/> PC <input type="checkbox"/>
	ACMX09764 Maxi Cleaner For cleaning oily surfaces.	1	each		MF <input type="checkbox"/> SA <input type="checkbox"/> KL <input type="checkbox"/> HP <input type="checkbox"/> SSC <input type="checkbox"/> SMC <input type="checkbox"/> W <input type="checkbox"/> Z <input type="checkbox"/> PC <input type="checkbox"/>
 <p>T-BARS ACV/G66=2.5mm ACV/G66=3.0mm ACV/L150=4.0mm</p>  <p>Screw (Grub)</p>	MF = Mill Finish SA = Silver Anodised KL = Basic Colour HP = Special Colour SSC = Smooth Satin Chrome SMC = Smokey Chrome PC = Polished Chrome	W = White Z = Black	 		

STANDARD ACCESSORIES





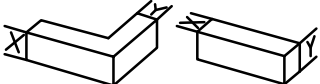







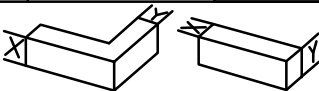



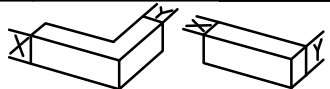



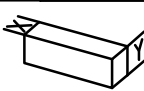
Image	Part Code	Pack	Unit	Application	Colour
	ACMX09765 Glue Cleaner De-grease and silicone remover.	1	each		MF
					SA
					KL
					HP
					SSC
					SMC
					W
					Z
					PC
	ACMX09770 Roll & Wrap 100mm	1	each		MF
					SA
					KL
					HP
					SSC
					SMC
					W
					Z
					PC
	ACMX09775 Grip Handwrap	1	each		MF
					SA
					KL
					HP
					SSC
					SMC
					W
					Z
					PC
	ACMX09801 Protective Tape 50mm	1	each		MF
					SA
					KL
					HP
					SSC
					SMC
					W
					Z
					PC
	ACMX09802 Protective Tape 70mm	1	each		MF
					SA
					KL
					HP
					SSC
					SMC
					W
					Z
					PC
 <small>T-BARS ACV/G65=2.5mm ACV/G66=3.0mm ACV/L150=4.0mm</small>	 <small>Screw (Grub)</small>	MF = Mill Finish SA = Silver Anodised KL = Basic Colour HP = Special Colour SSC = Smooth Satin Chrome SMC = Smokey Chrome PC = Polished Chrome	W = White Z = Black		

Image	Part Code	Pack	Unit	Application	Colour																		
	ACMX09803 Protective Tape 100mm	1	each		<table border="1"> <tr><td>MF</td><td></td></tr> <tr><td>SA</td><td></td></tr> <tr><td>KL</td><td></td></tr> <tr><td>HP</td><td></td></tr> <tr><td>SSC</td><td></td></tr> <tr><td>SMC</td><td></td></tr> <tr><td>W</td><td></td></tr> <tr><td>Z</td><td></td></tr> <tr><td>PC</td><td></td></tr> </table>	MF		SA		KL		HP		SSC		SMC		W		Z		PC	
MF																							
SA																							
KL																							
HP																							
SSC																							
SMC																							
W																							
Z																							
PC																							
	ACSIL04 Sealing Glue Order with suffix of KL colour (eg.ACSIL04KL005) or BL=Black/WP=White/CL=Clear	1	each		<table border="1"> <tr><td>MF</td><td></td></tr> <tr><td>SA</td><td></td></tr> <tr><td>KL</td><td>✓</td></tr> <tr><td>HP</td><td></td></tr> <tr><td>SSC</td><td></td></tr> <tr><td>SMC</td><td></td></tr> <tr><td>W</td><td>✓</td></tr> <tr><td>Z</td><td>✓</td></tr> <tr><td>PC</td><td></td></tr> </table>	MF		SA		KL	✓	HP		SSC		SMC		W	✓	Z	✓	PC	
MF																							
SA																							
KL	✓																						
HP																							
SSC																							
SMC																							
W	✓																						
Z	✓																						
PC																							
	ACSIL05 Rubber Sealant	1	each		<table border="1"> <tr><td>MF</td><td></td></tr> <tr><td>SA</td><td></td></tr> <tr><td>KL</td><td></td></tr> <tr><td>HP</td><td></td></tr> <tr><td>SSC</td><td></td></tr> <tr><td>SMC</td><td></td></tr> <tr><td>W</td><td></td></tr> <tr><td>Z</td><td></td></tr> <tr><td>PC</td><td></td></tr> </table>	MF		SA		KL		HP		SSC		SMC		W		Z		PC	
MF																							
SA																							
KL																							
HP																							
SSC																							
SMC																							
W																							
Z																							
PC																							
	ACSIL08 Silicon Gun	1	each		<table border="1"> <tr><td>MF</td><td></td></tr> <tr><td>SA</td><td></td></tr> <tr><td>KL</td><td></td></tr> <tr><td>HP</td><td></td></tr> <tr><td>SSC</td><td></td></tr> <tr><td>SMC</td><td></td></tr> <tr><td>W</td><td></td></tr> <tr><td>Z</td><td></td></tr> <tr><td>PC</td><td></td></tr> </table>	MF		SA		KL		HP		SSC		SMC		W		Z		PC	
MF																							
SA																							
KL																							
HP																							
SSC																							
SMC																							
W																							
Z																							
PC																							
	ACSIL013 Glue for Mitre	1	each		<table border="1"> <tr><td>MF</td><td></td></tr> <tr><td>SA</td><td></td></tr> <tr><td>KL</td><td></td></tr> <tr><td>HP</td><td></td></tr> <tr><td>SSC</td><td></td></tr> <tr><td>SMC</td><td></td></tr> <tr><td>W</td><td></td></tr> <tr><td>Z</td><td></td></tr> <tr><td>PC</td><td></td></tr> </table>	MF		SA		KL		HP		SSC		SMC		W		Z		PC	
MF																							
SA																							
KL																							
HP																							
SSC																							
SMC																							
W																							
Z																							
PC																							
 T-BARS ACV665=2.5mm ACV666=3.0mm ACVL150=4.0mm  Screw (Grub)	MF = Mill Finish SA = Silver Anodised KL = Basic Colour HP = Special Colour SSC = Smooth Satin Chrome SMC = Smokey Chrome PC = Polished Chrome	W = White Z = Black																					

STANDARD ACCESSORIES

Image	Part Code	Pack	Unit	Application	Colour	
	ACSIL014 Anti-Corrosion Coating	1	each		MF	✓
					SA	
					KL	
					HP	
					SSC	
					SMC	
					W	
					Z	
					PC	
	ACUN3900 Gasket Roller	1	Each	Wedge Gaskets	MF	
					SA	
					KL	
					HP	
					SSC	
					SMC	
					W	
					Z	
					PC	
					MF	
					SA	
					KL	
					HP	
					SSC	
					SMC	
					W	
					Z	
					PC	
					MF	
					SA	
					KL	
					HP	
					SSC	
					SMC	
					W	
					Z	
					PC	
	MF = Mill Finish SA = Silver Anodised KL = Basic Colour HP = Special Colour SSC = Smooth Satin Chrome SMC = Smokey Chrome PC = Polished Chrome				MF	
					SA	
					KL	
					HP	
					SSC	
					SMC	
					W	
					Z	
					PC	
		W = White Z = Black				

STANDARD ACCESSORIES

Image	Part Code	Pack	Unit	Application	Colour
					MF SA KL HP SSC SMC W Z PC
					MF SA KL HP SSC SMC W Z PC
					MF SA KL HP SSC SMC W Z PC
					MF SA KL HP SSC SMC W Z PC
					MF SA KL HP SSC SMC W Z PC
 <p>T-BARS ACVG665=2.5mm ACVG666=3.0mm ACVL150=4.0mm</p>  <p>Screw (Grub)</p>	<p>MF = Mill Finish SA = Silver Anodised KL = Basic Colour HP = Special Colour SSC = Smooth Satin Chrome SMC = Smokey Chrome PC = Polished Chrome</p>	<p>W = White Z = Black</p>	 		

Section C

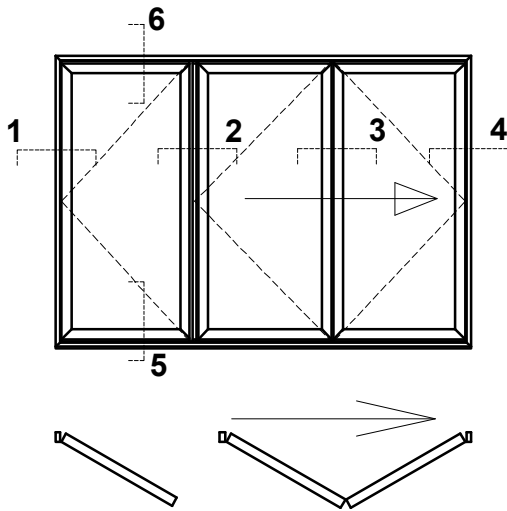
Sections

Scale Elevations

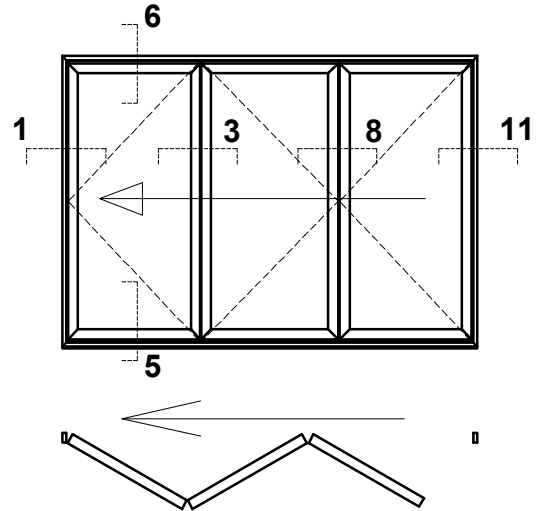
Section C

Open Out Scale Elevations

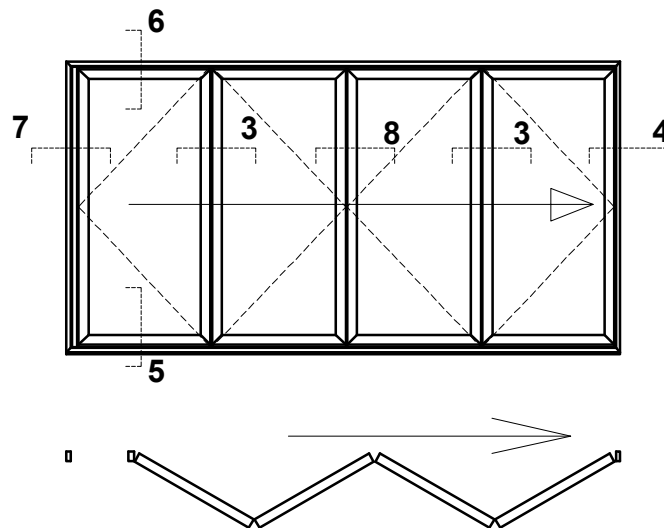
Type 1



Type 2



Type 3

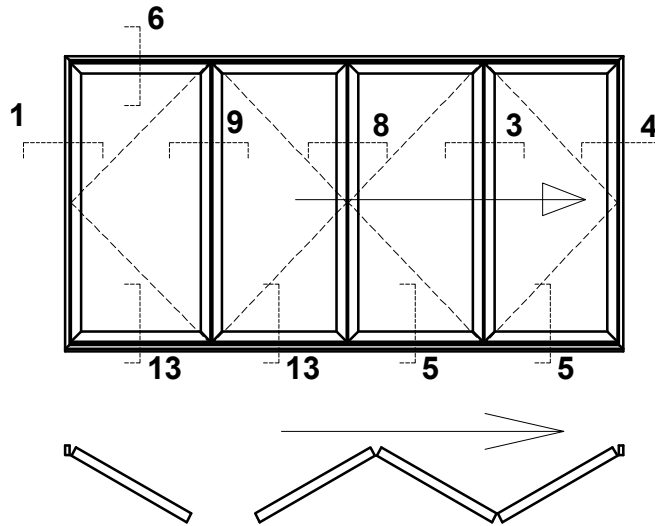


No External Access Or Traffic Door With This Design

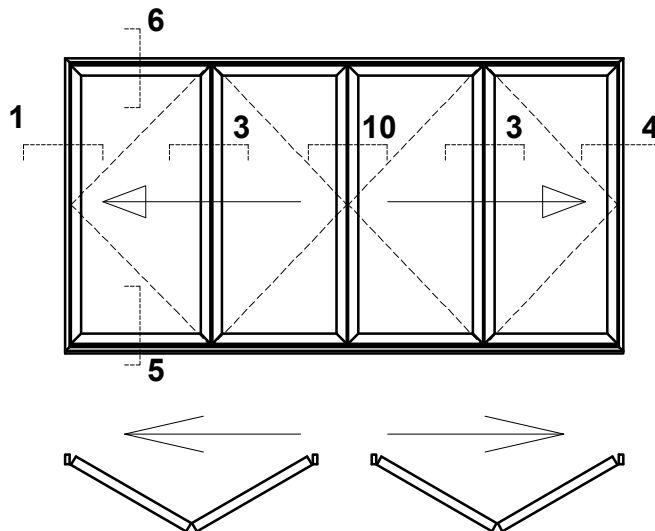
Do Not Scale From This Drawing

Open Out Scale Elevations

Type 4



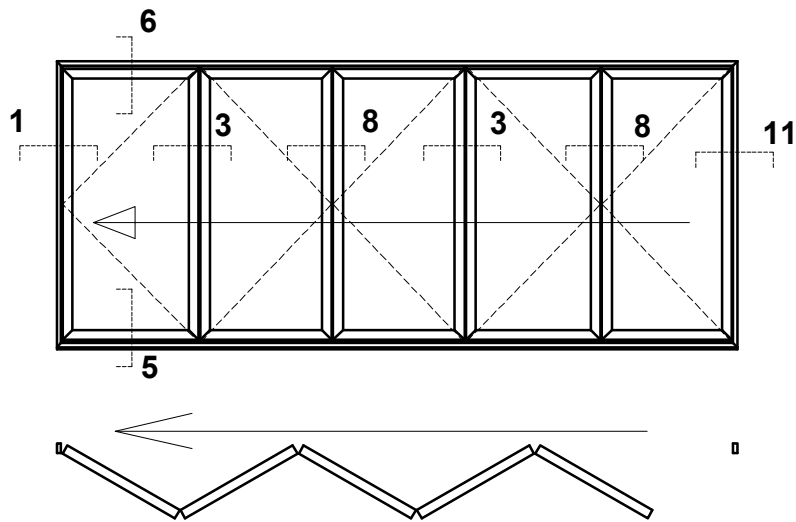
Type 5



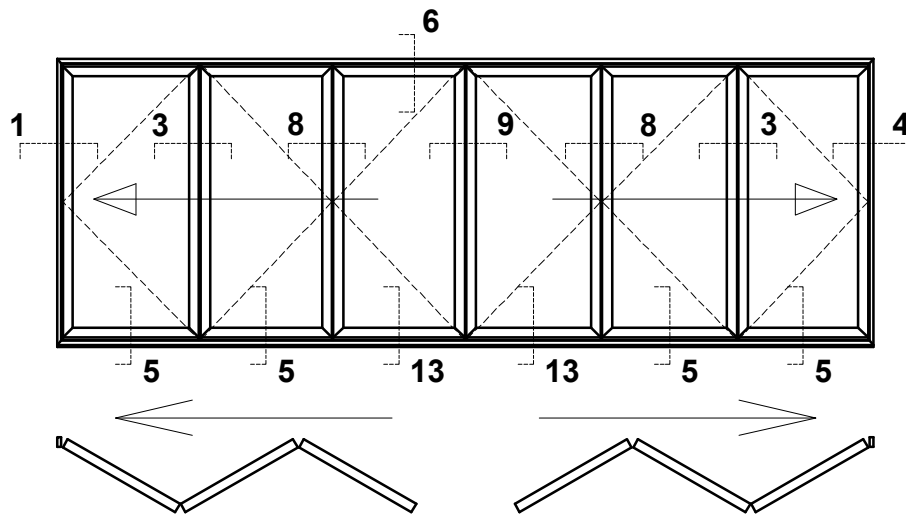
Do Not Scale From This Drawing

Open Out Scale Elevations

Type 6



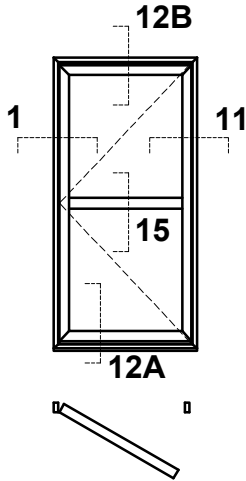
Type 7



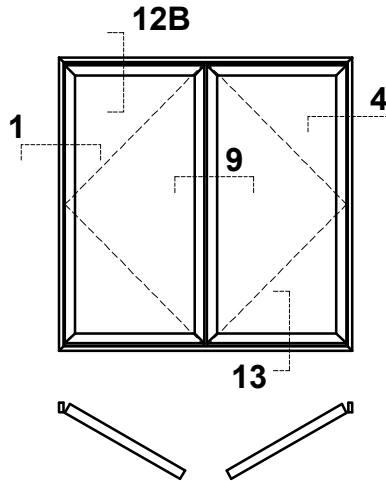
Do Not Scale From This Drawing

Open Out Scale Elevations

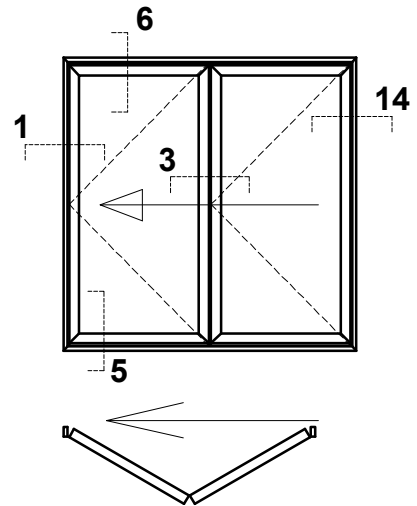
Single Swing Door



Double Swing Door

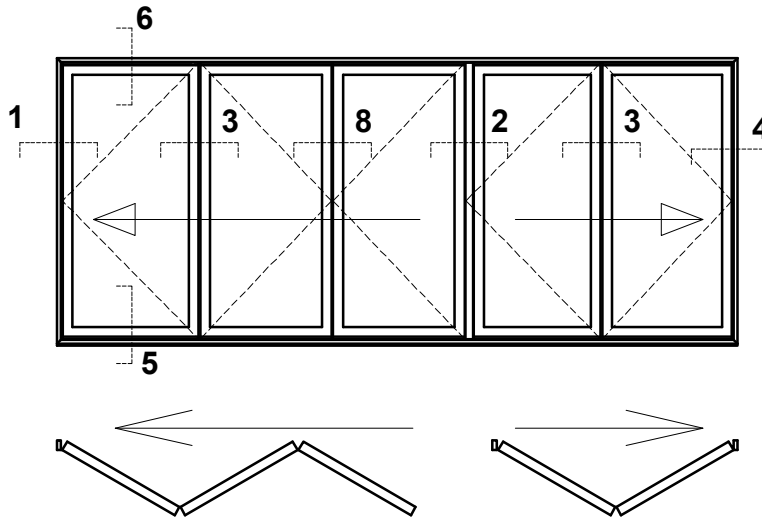


Double Slide Door



No External Access Or Traffic Door With This Design

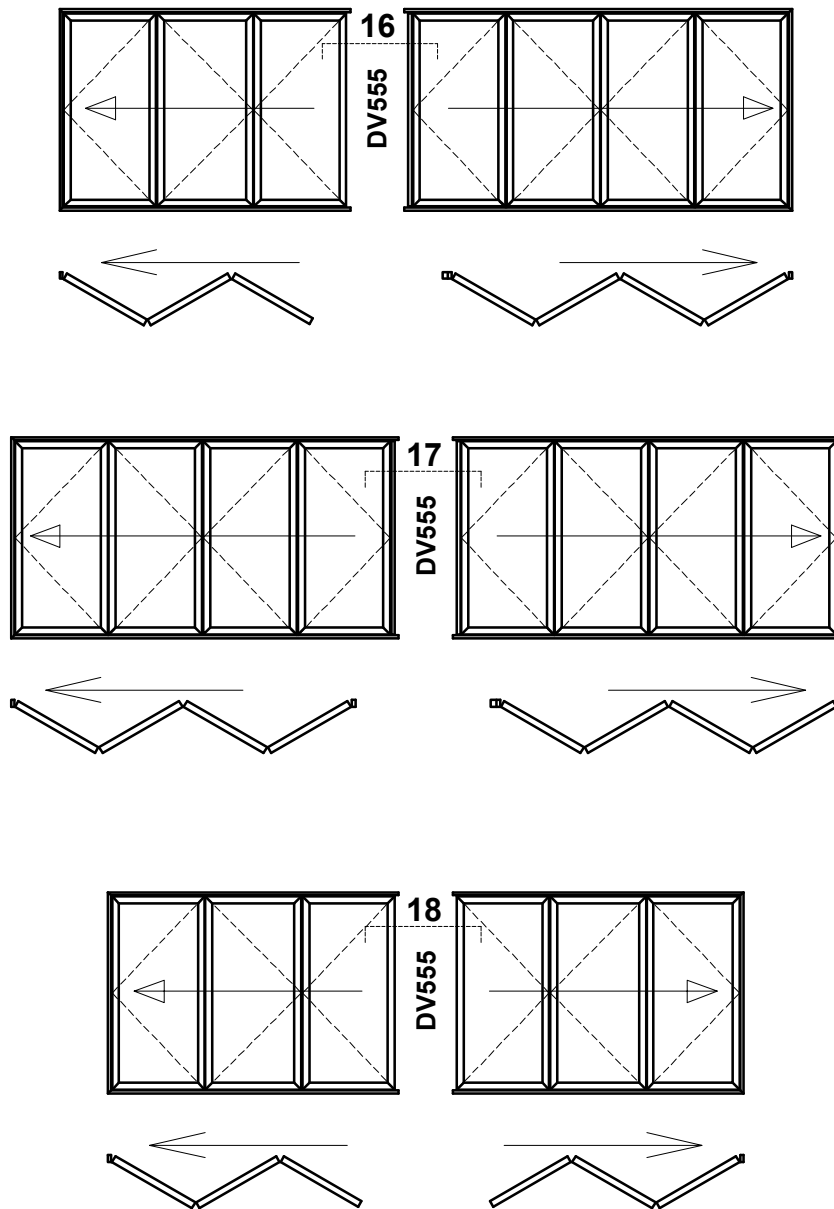
3/2 Split Door



Do Not Scale From This Drawing

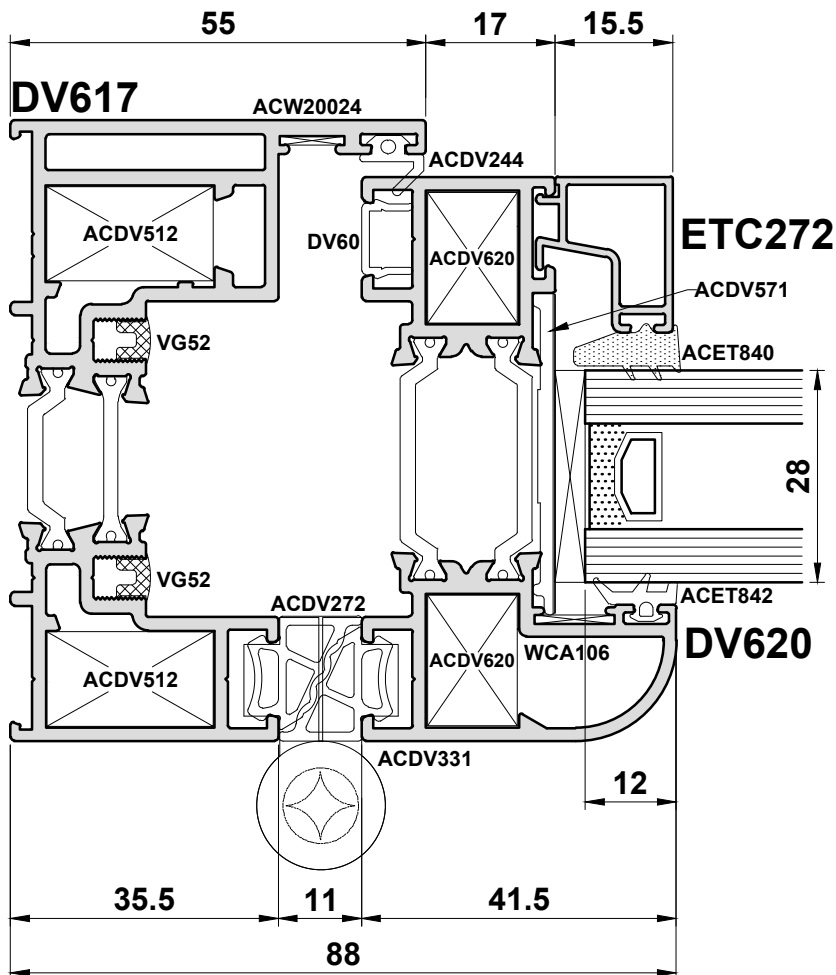
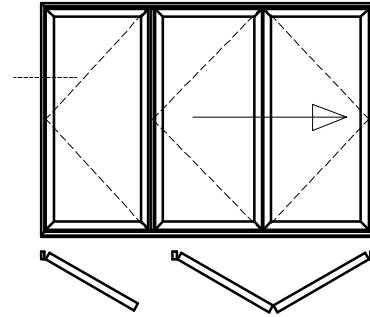
Open Out Scale Elevations

Removable 90° Corner Post Configurations



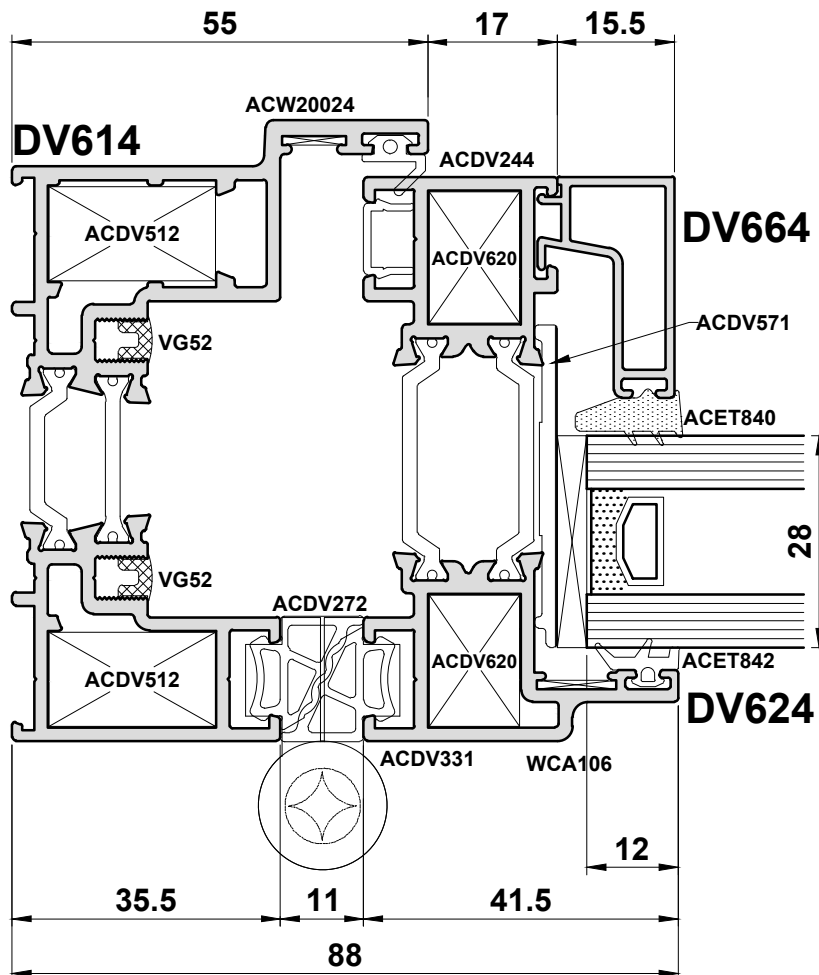
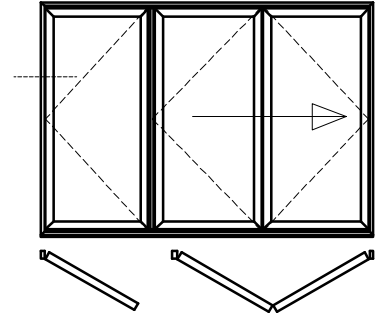
Do Not Scale From This Drawing

Open Out - Detail 1A



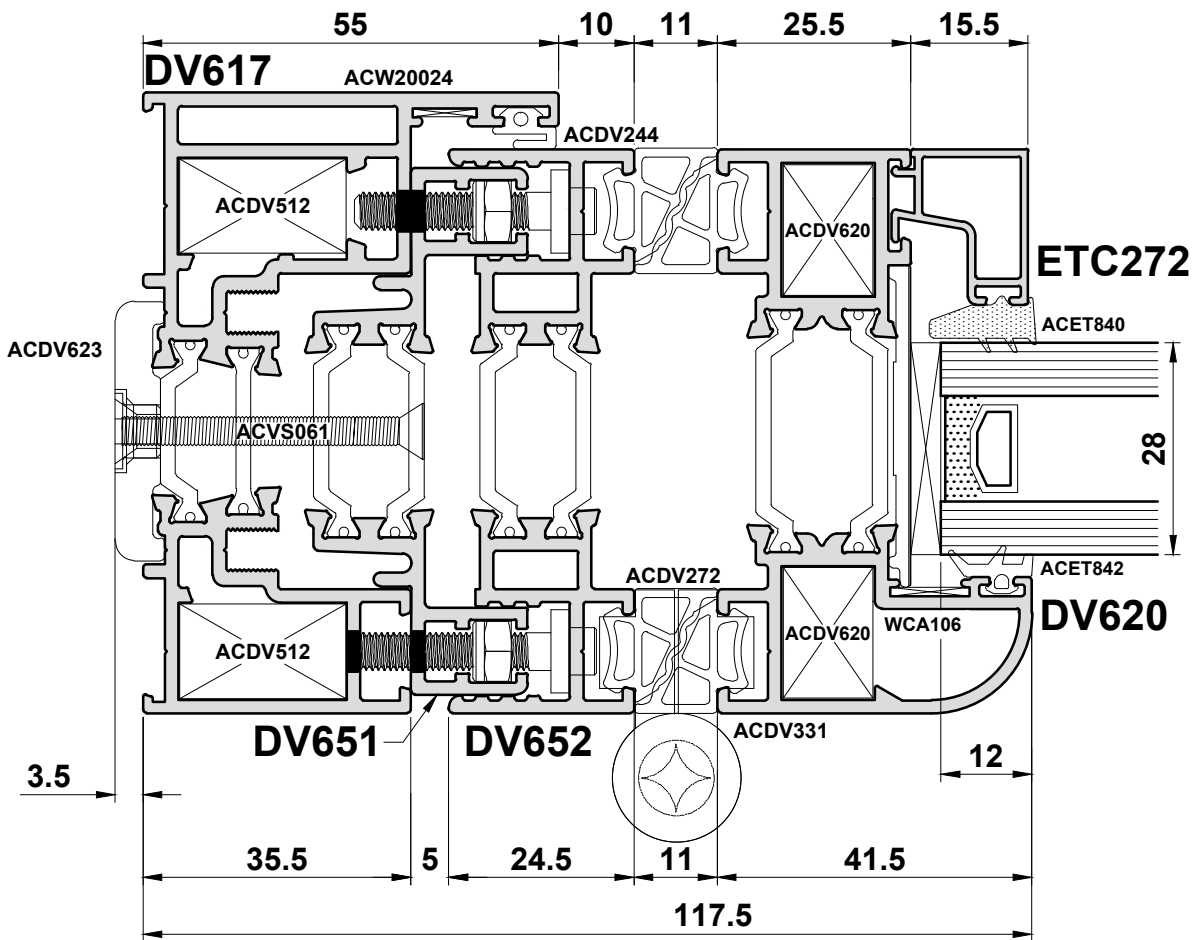
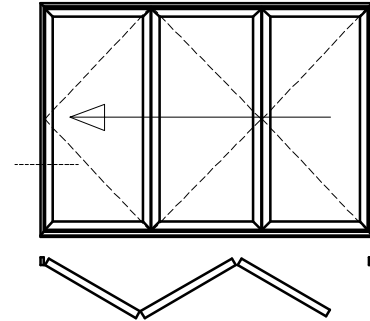
Do Not Scale From This Drawing

Open Out - Detail 1B



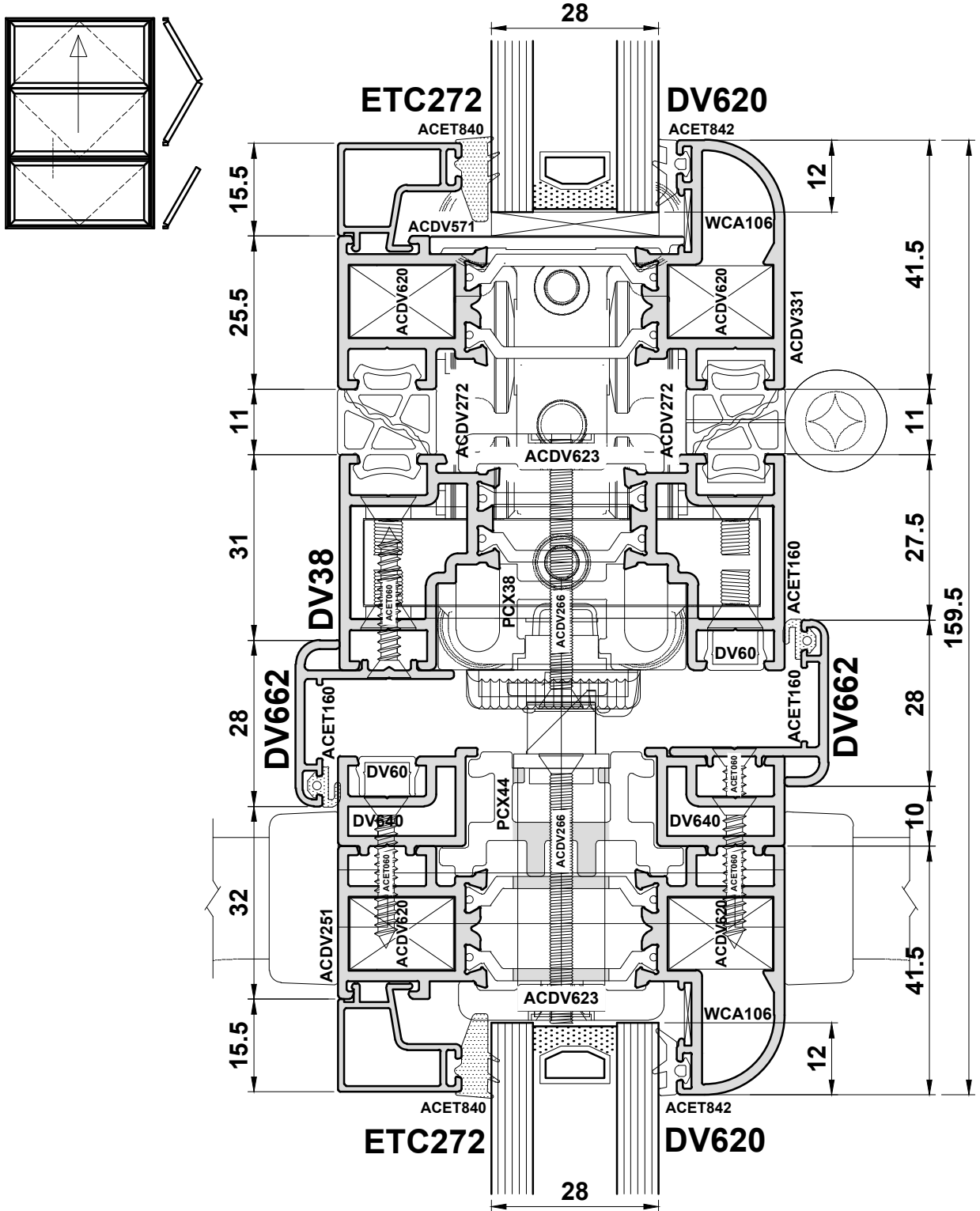
Do Not Scale From This Drawing

Open Out - Detail 1C



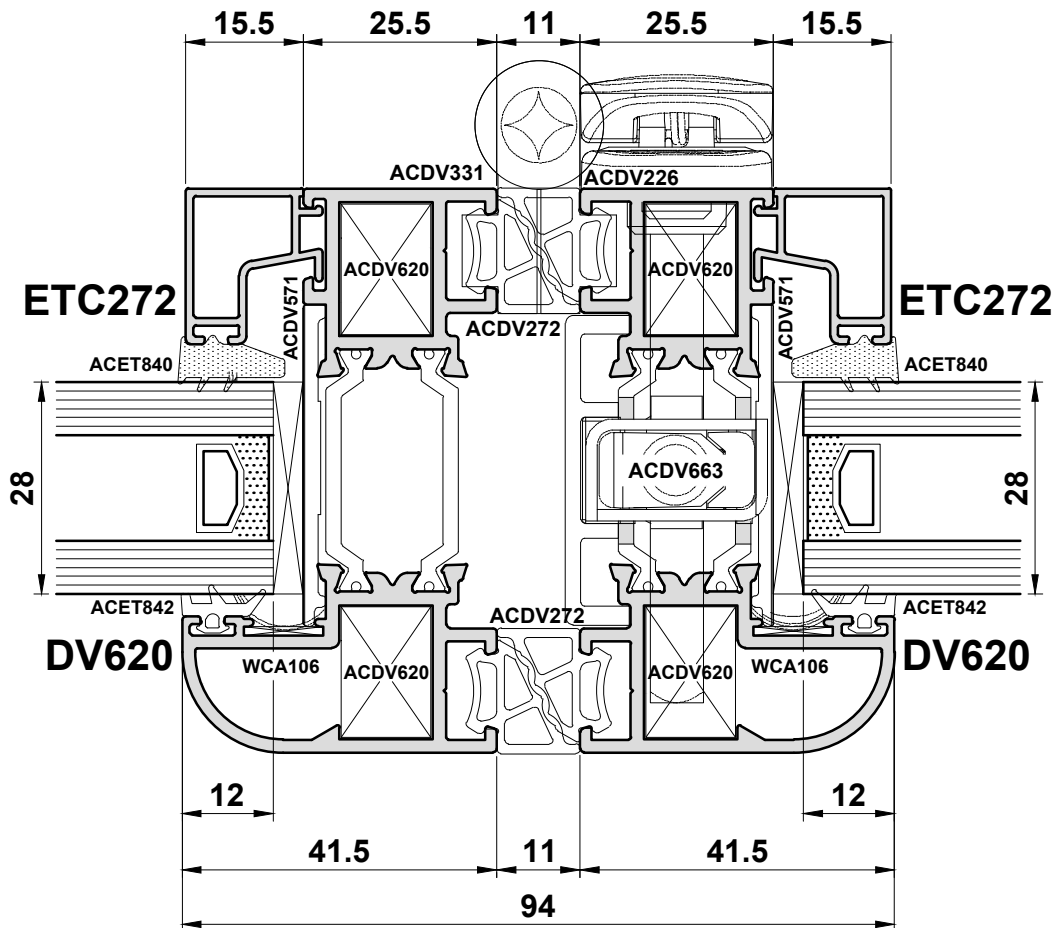
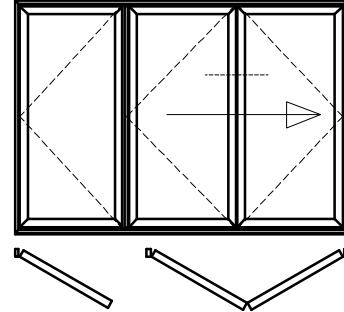
Do Not Scale From This Drawing

Open Out - Detail 2



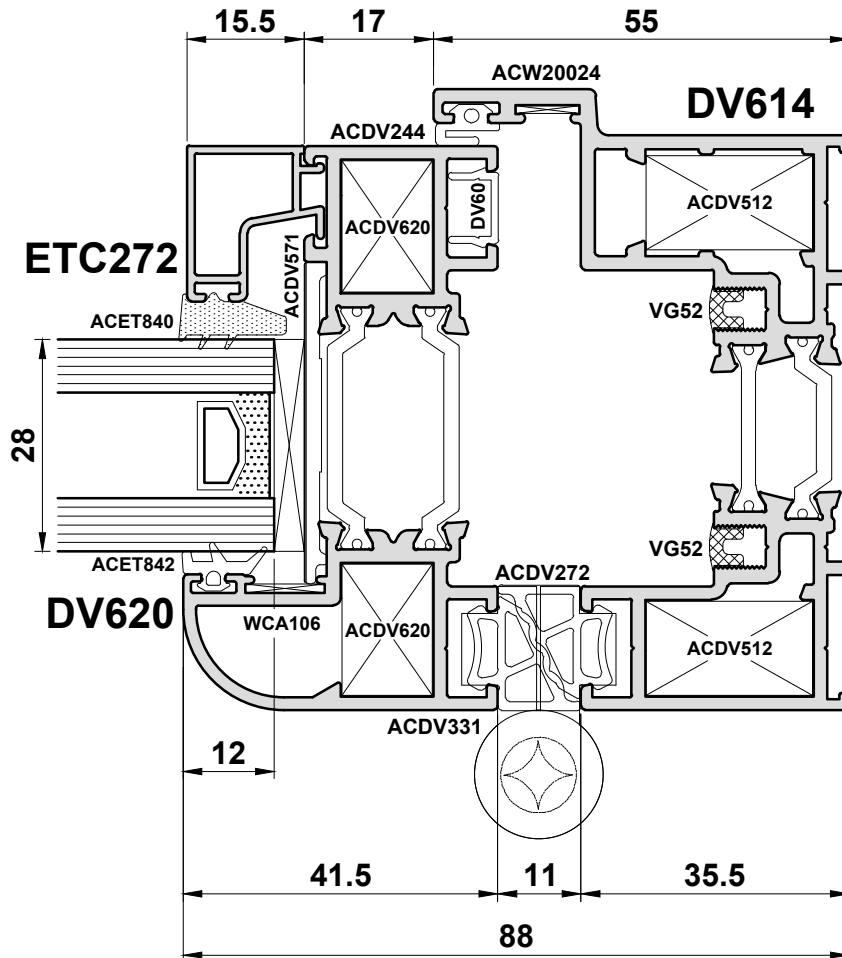
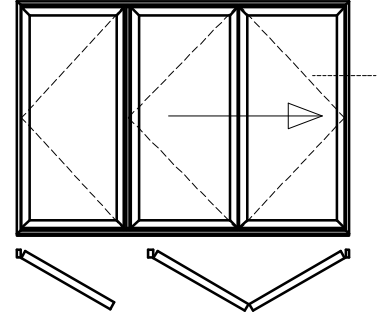
Do Not Scale From This Drawing

Open Out - Detail 3



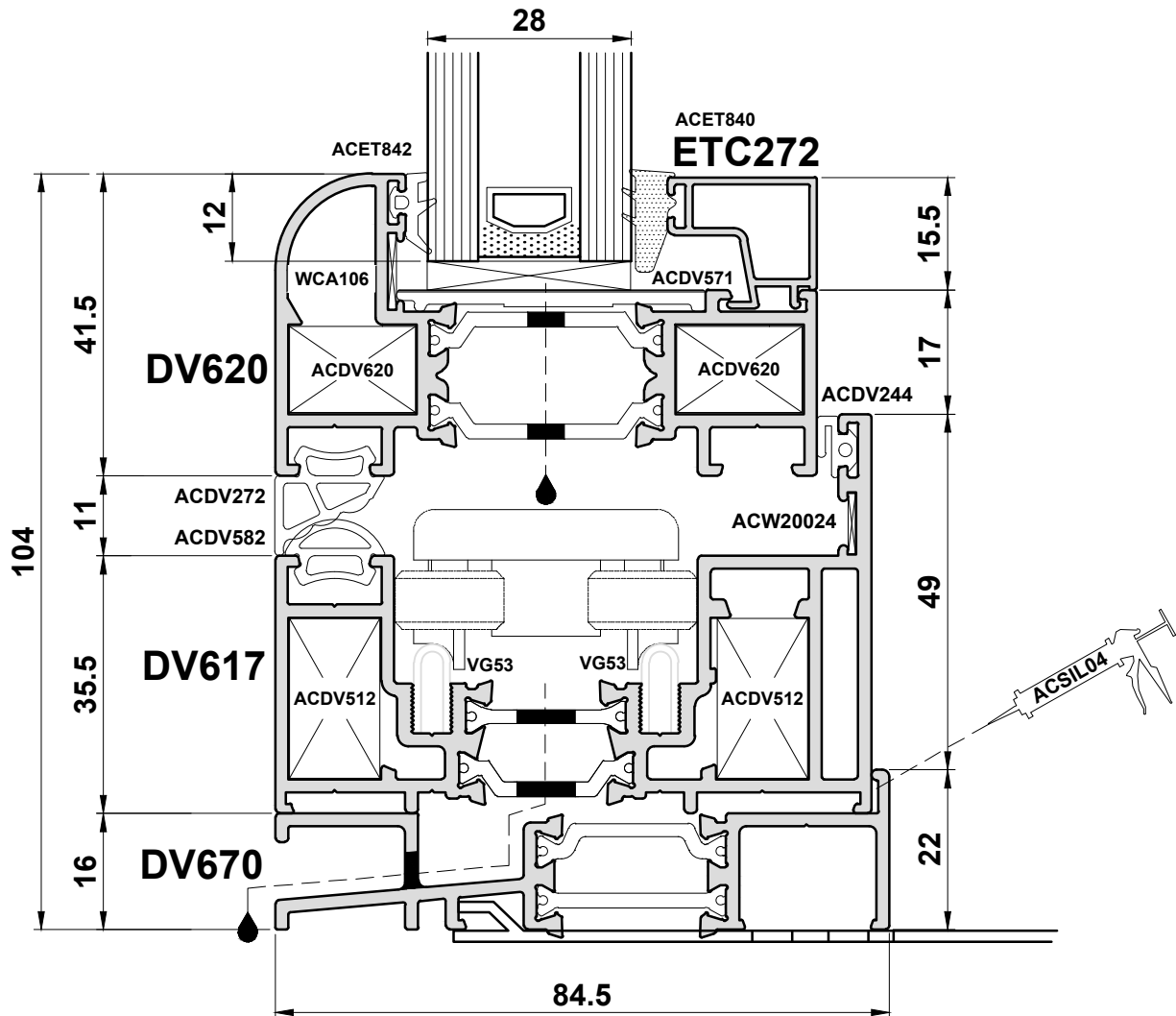
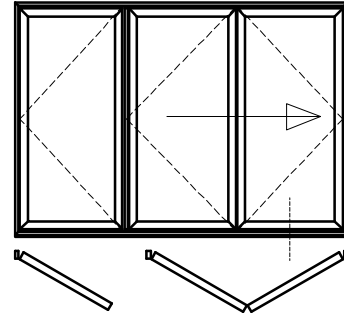
Do Not Scale From This Drawing

Open Out - Detail 4



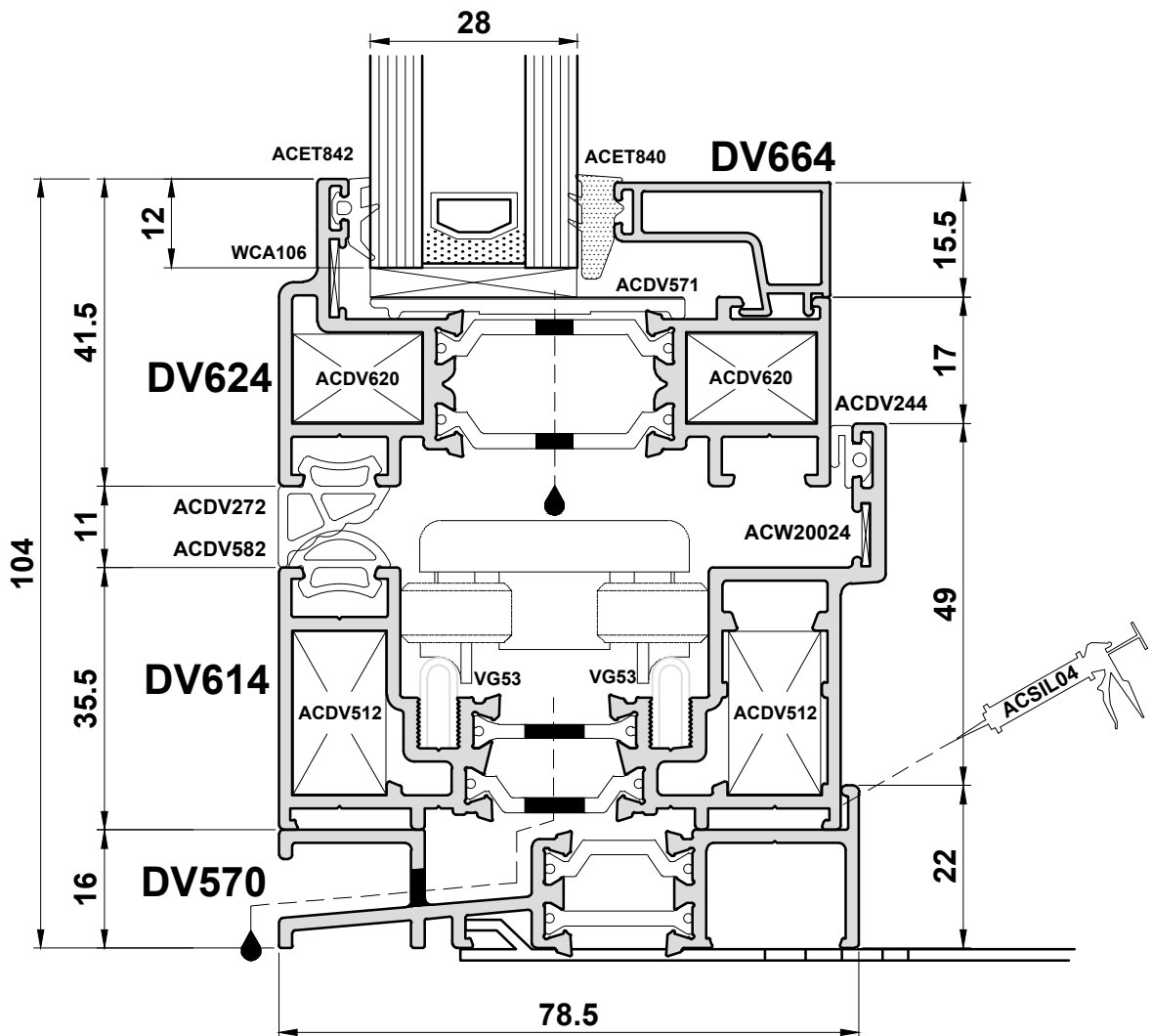
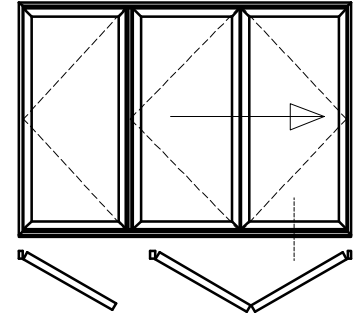
Do Not Scale From This Drawing

Open Out - Detail 5A



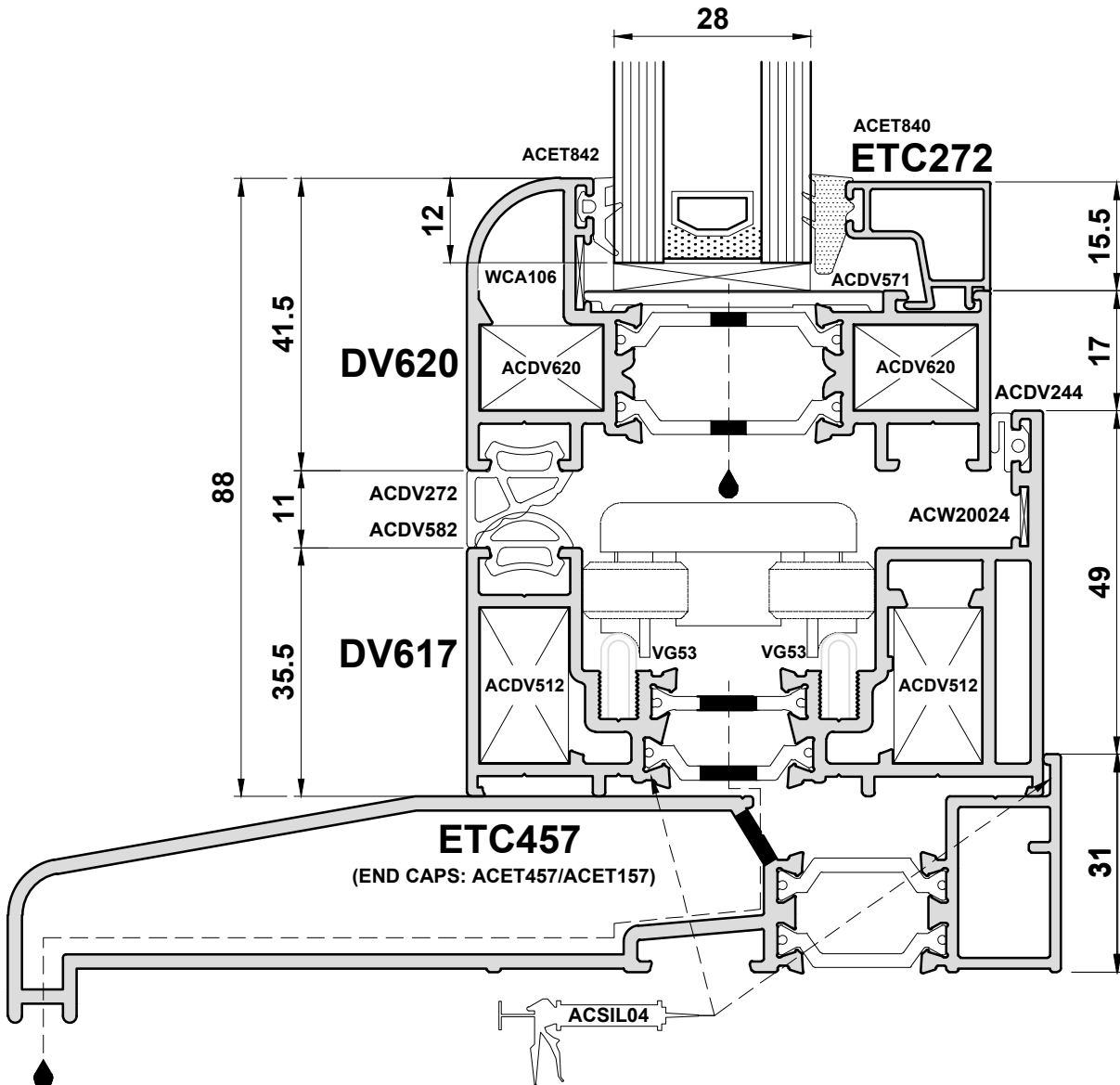
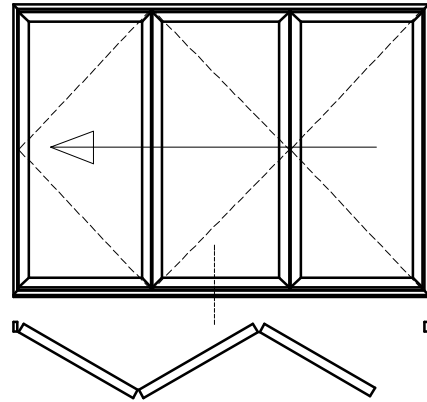
Do Not Scale From This Drawing

Open Out - Detail 5B

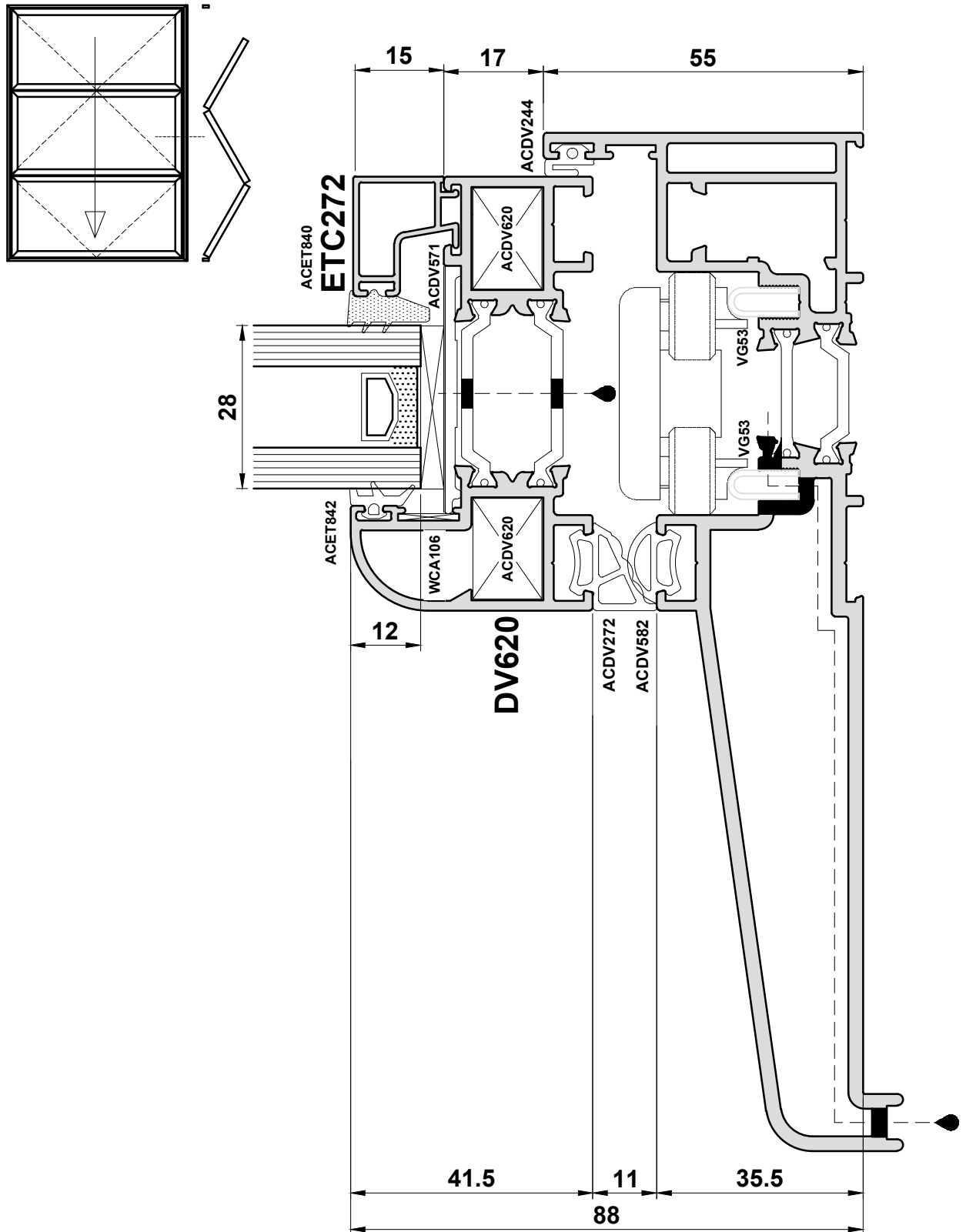


Do Not Scale From This Drawing

Open Out - Detail 5C

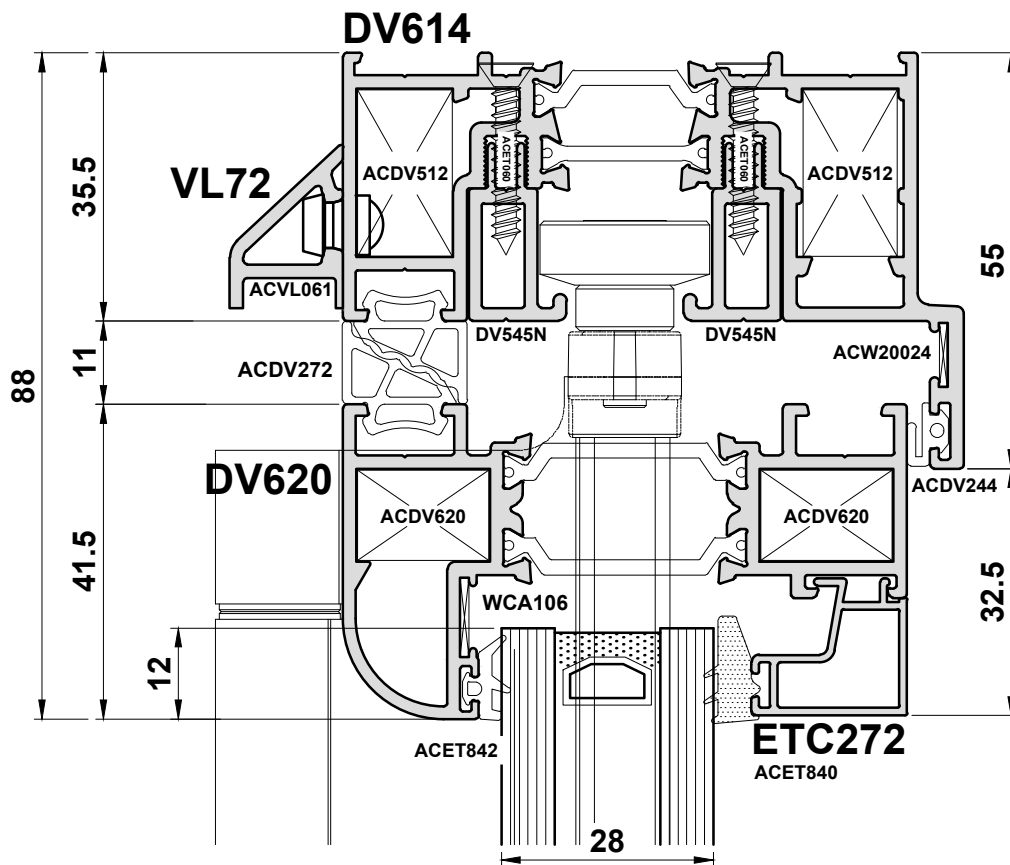
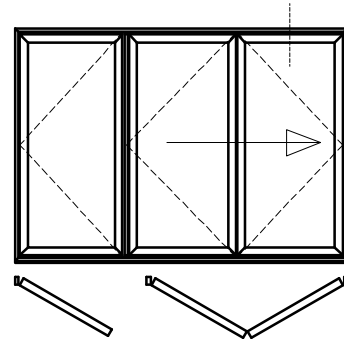


Do Not Scale From This Drawing



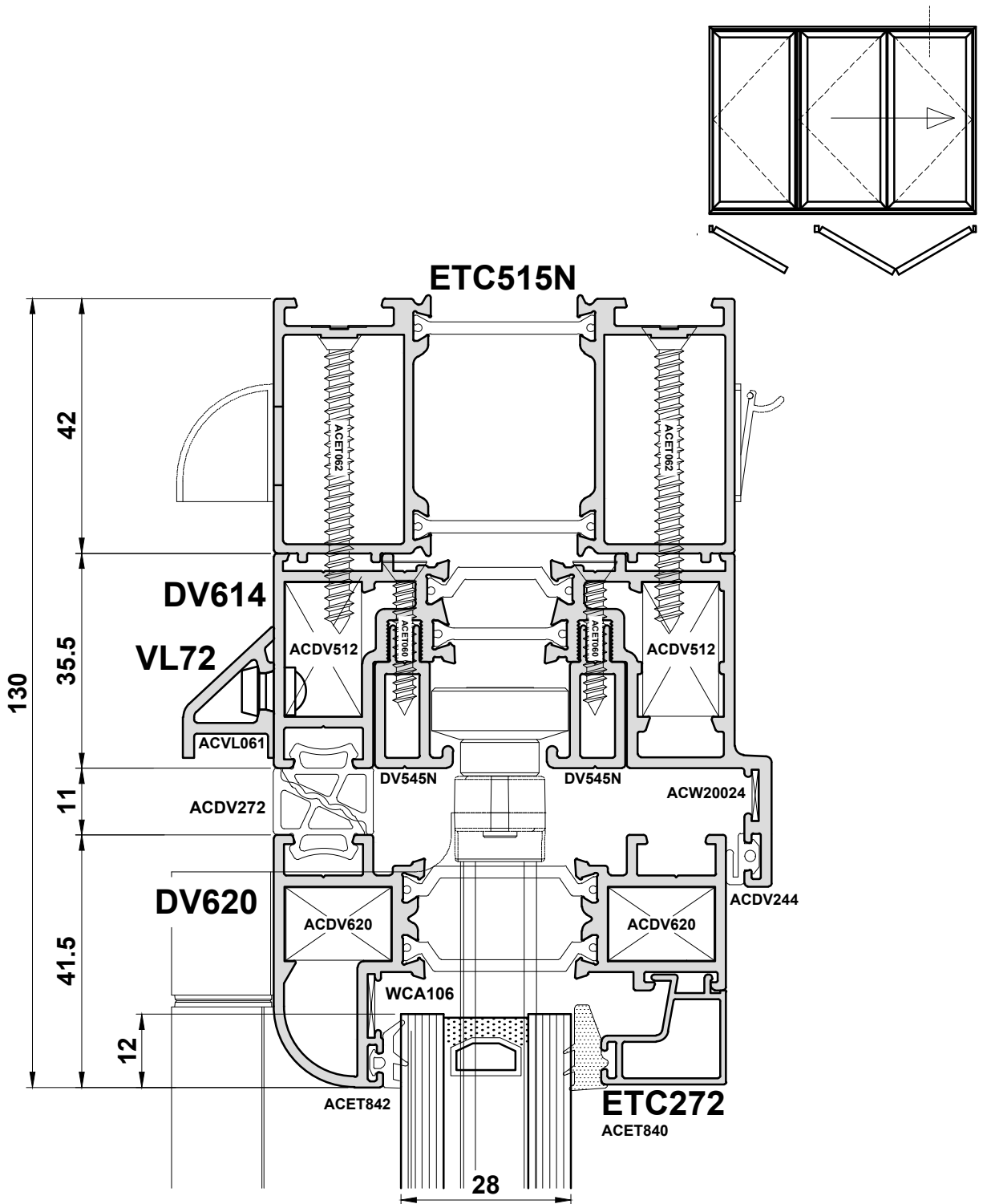
Do Not Scale From This Drawing

Open Out - Detail 6A



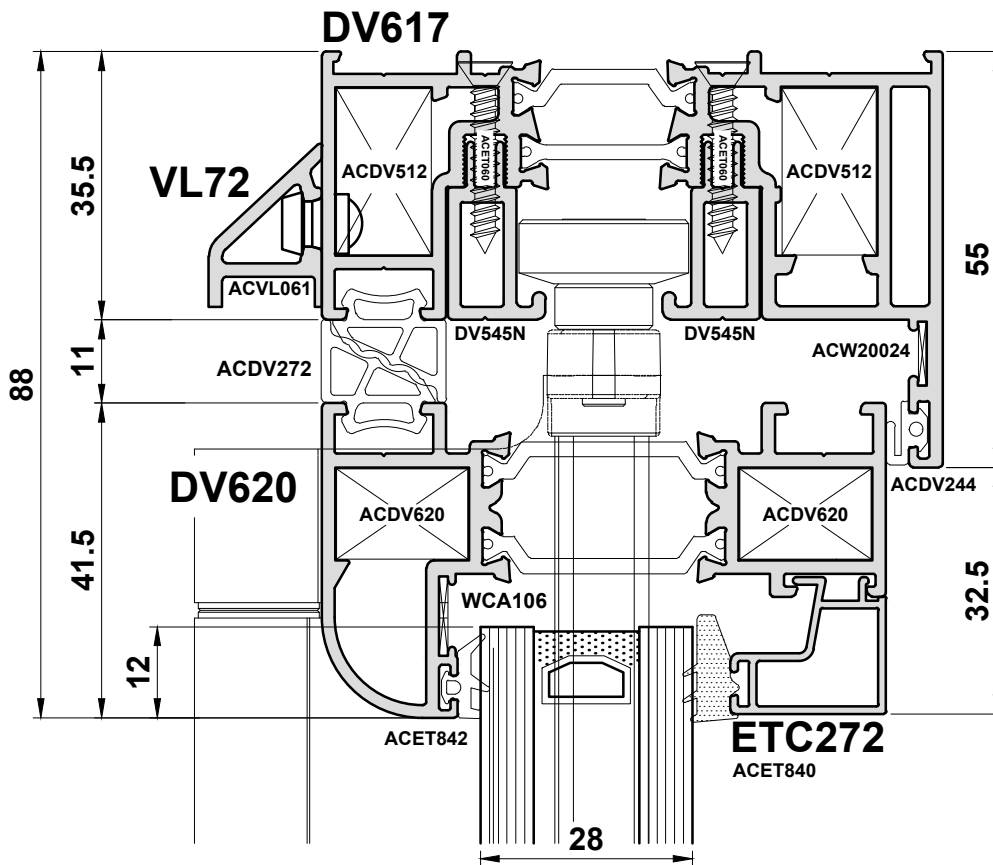
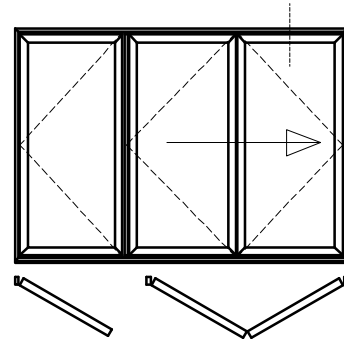
Do Not Scale From This Drawing

Open Out - Detail 6B



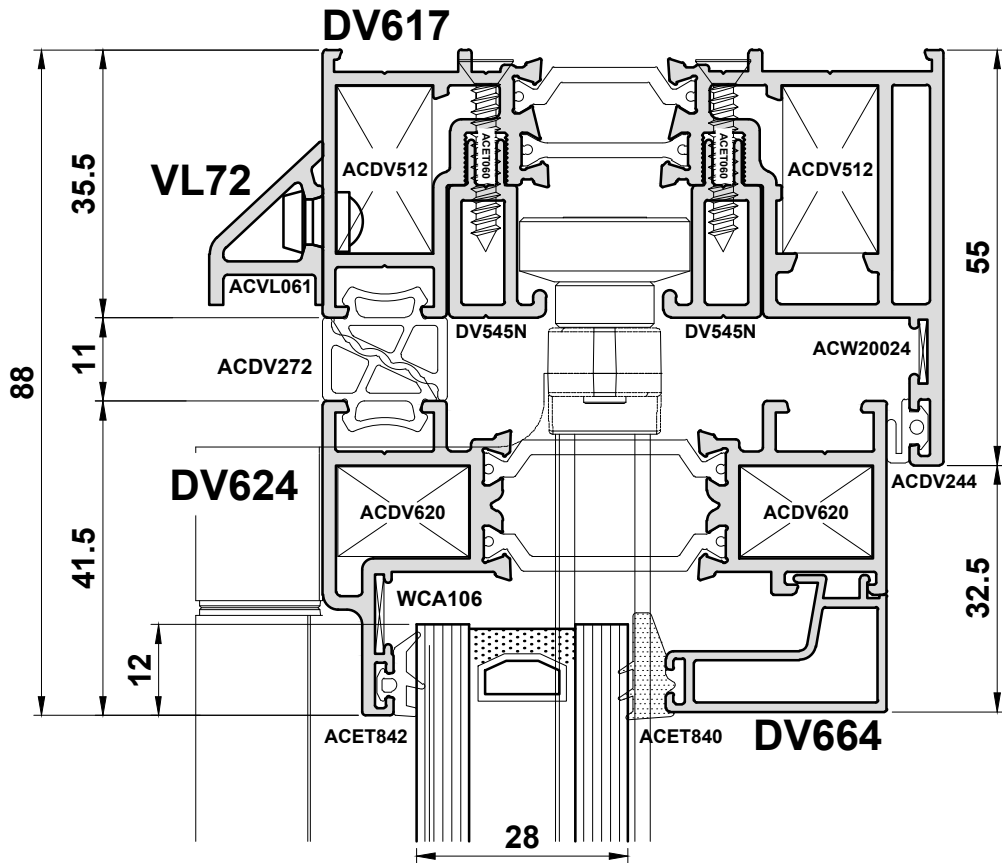
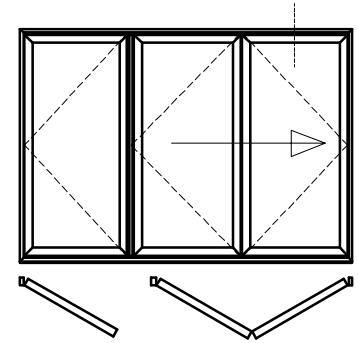
Do Not Scale From This Drawing

Open Out - Detail 6C



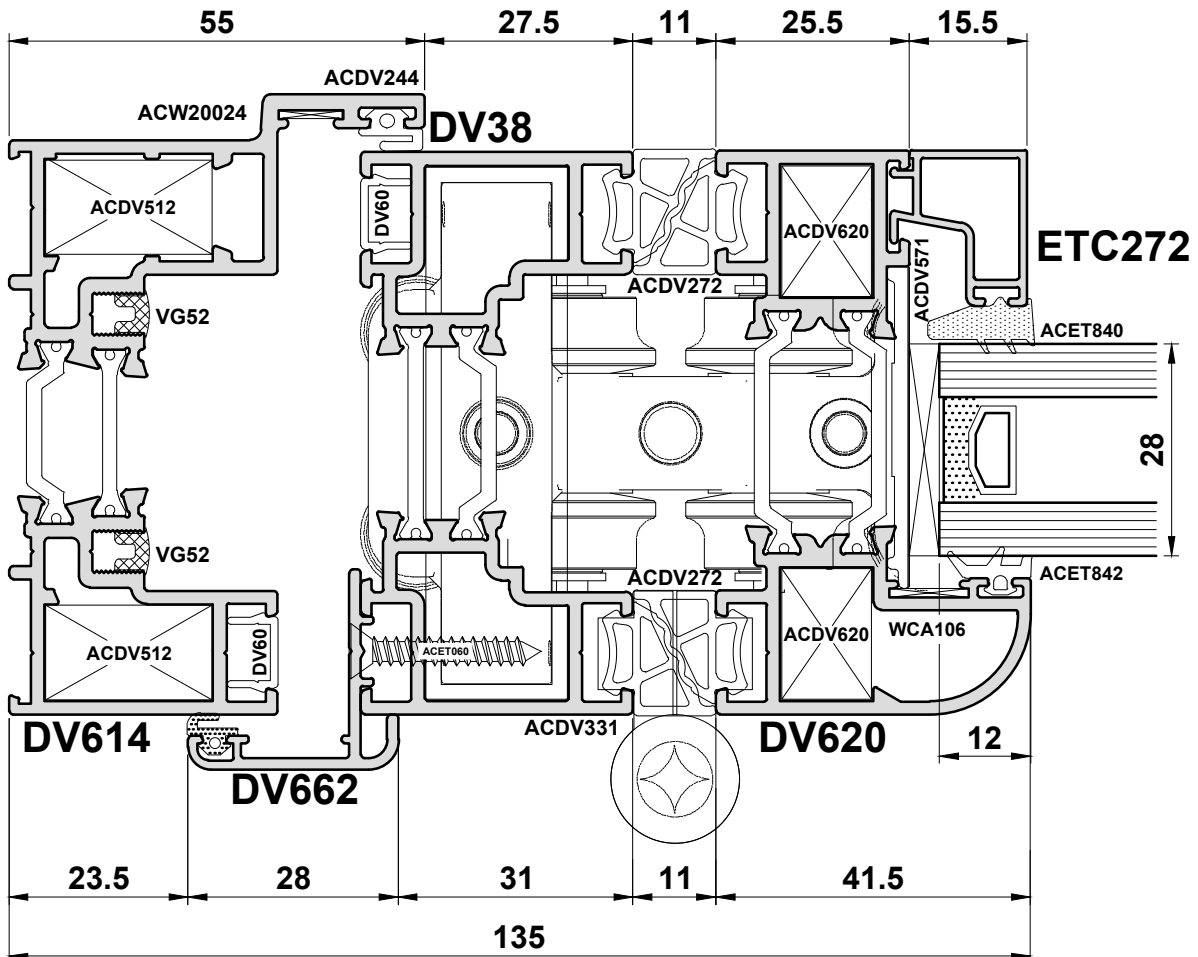
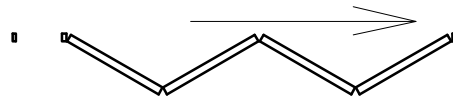
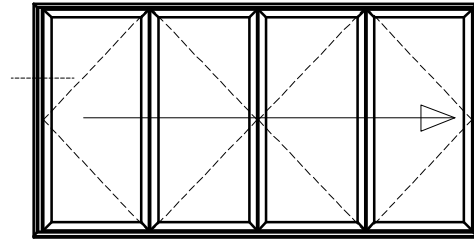
Do Not Scale From This Drawing

Open Out - Detail 6D



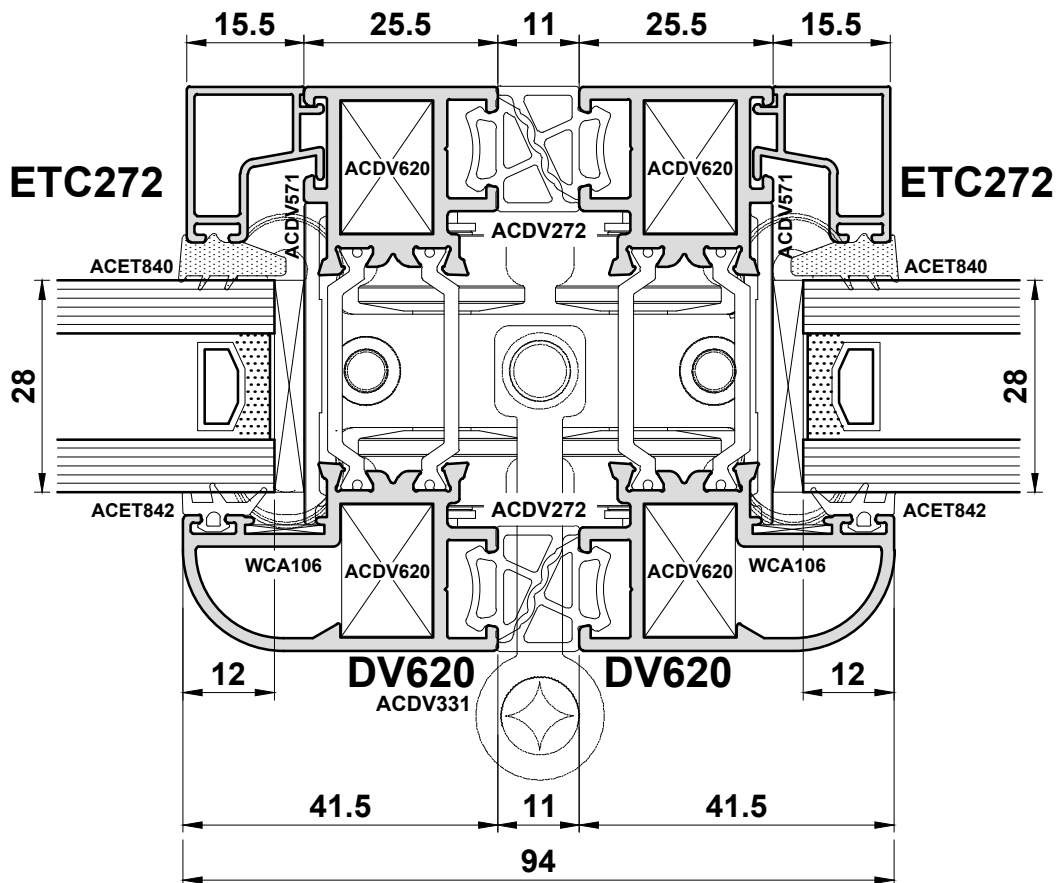
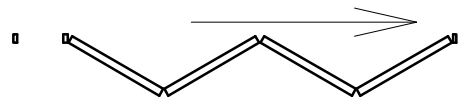
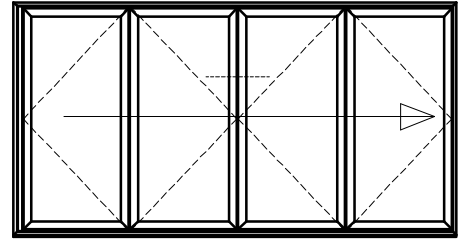
Do Not Scale From This Drawing

Open Out - Detail 7



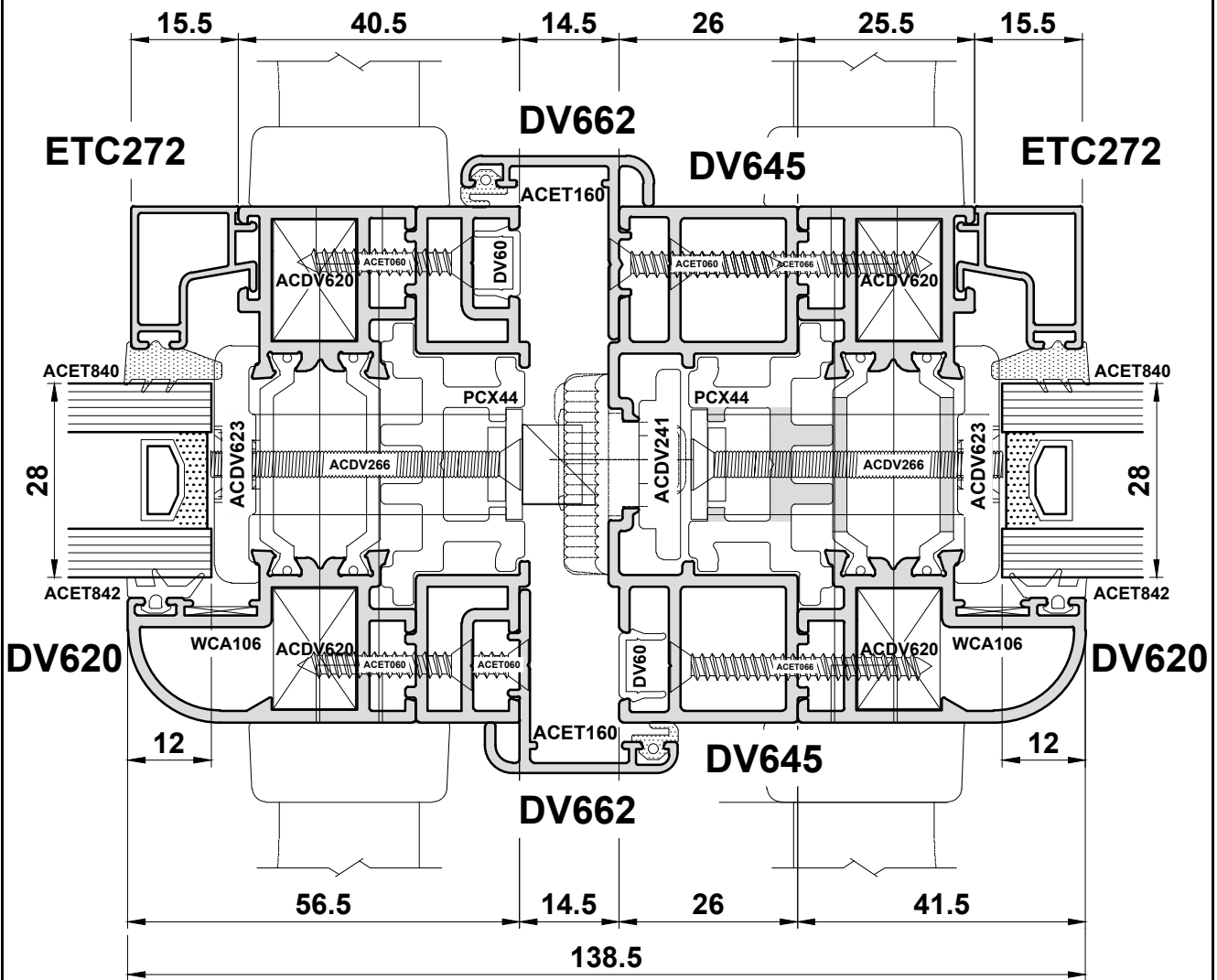
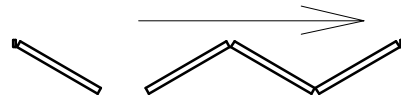
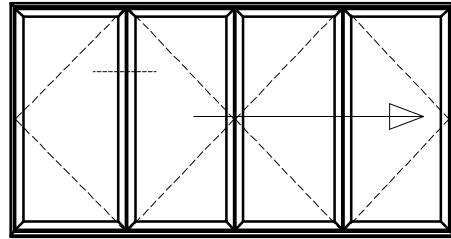
Do Not Scale From This Drawing

Open Out - Detail 8



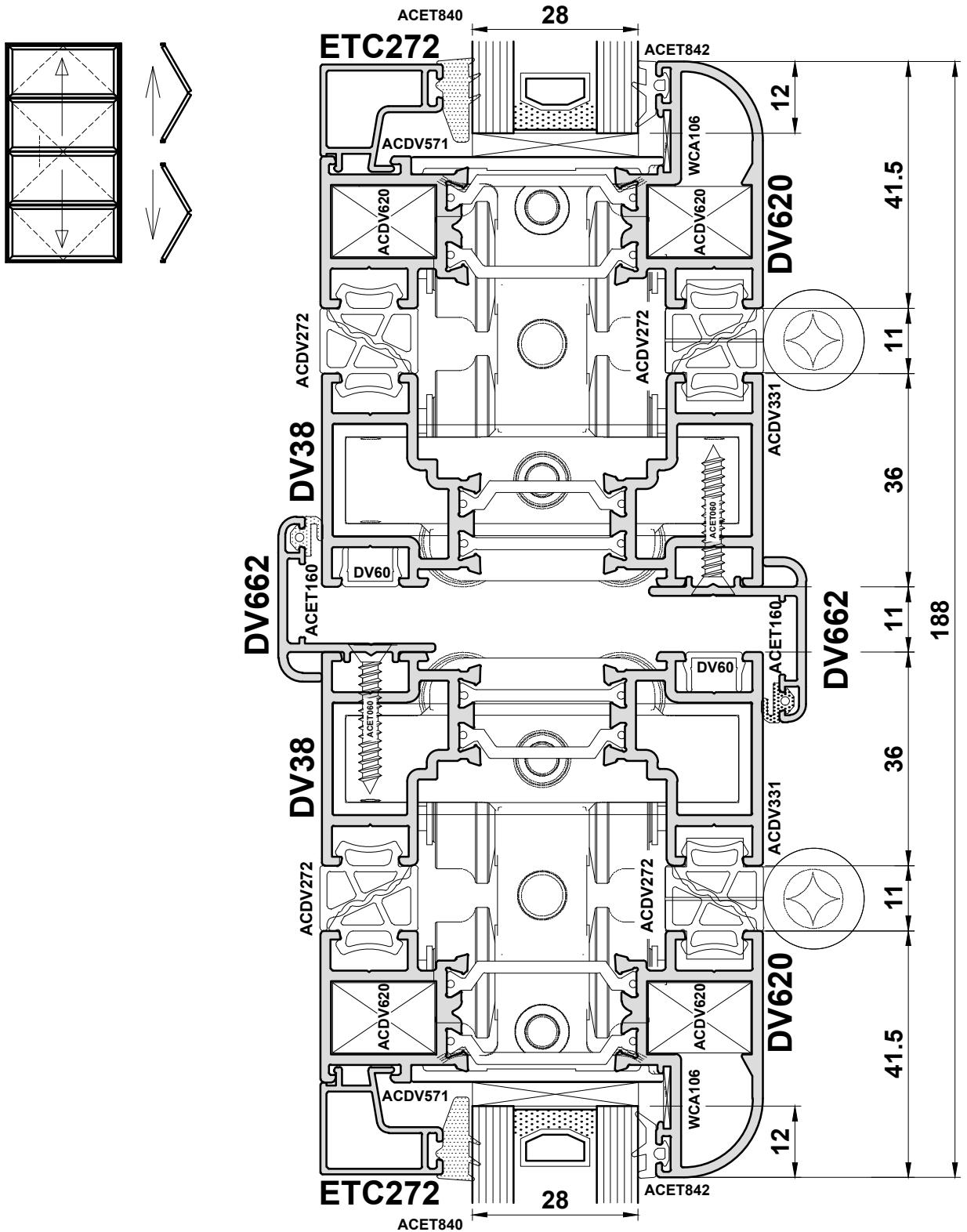
Do Not Scale From This Drawing

Open Out - Detail 9



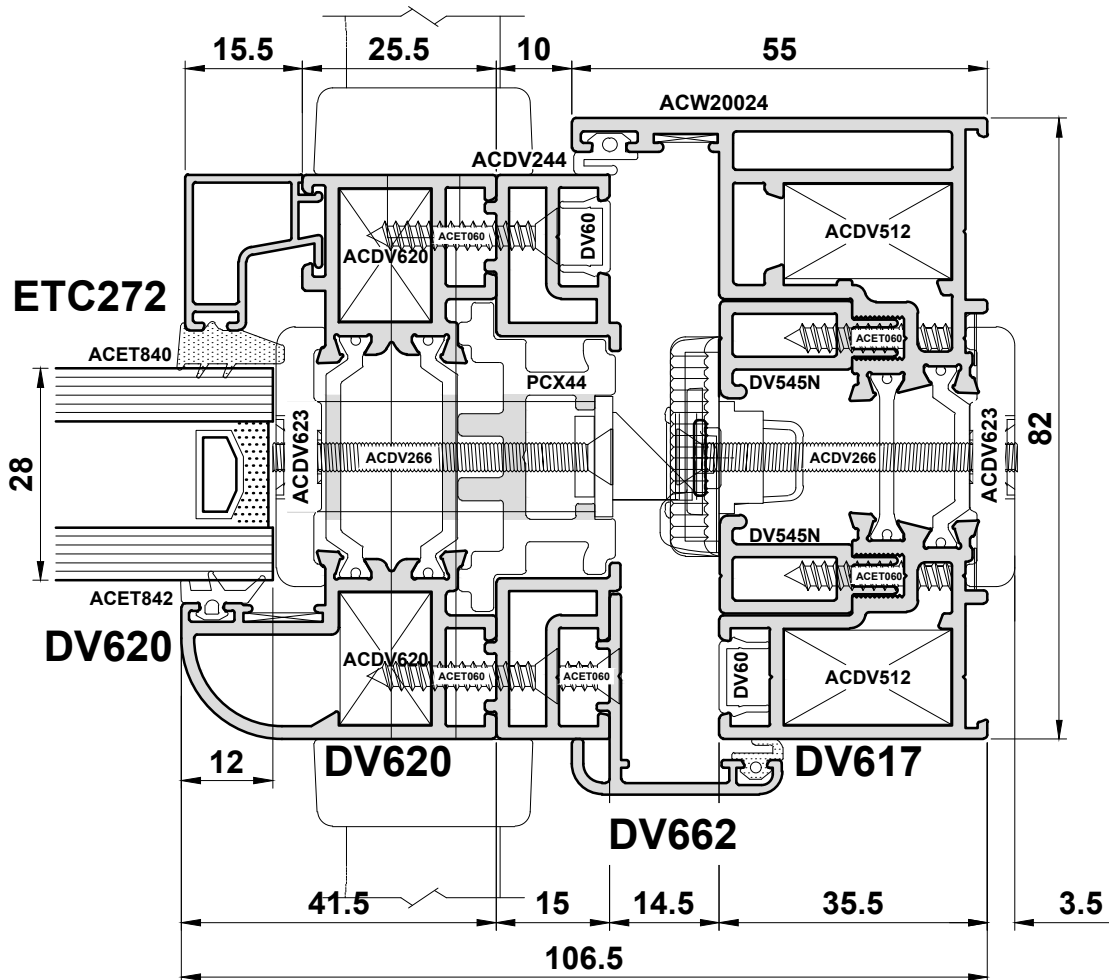
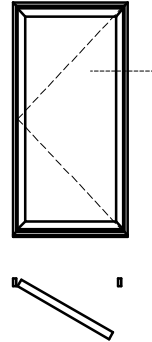
Do Not Scale From This Drawing

Open Out - Detail 10



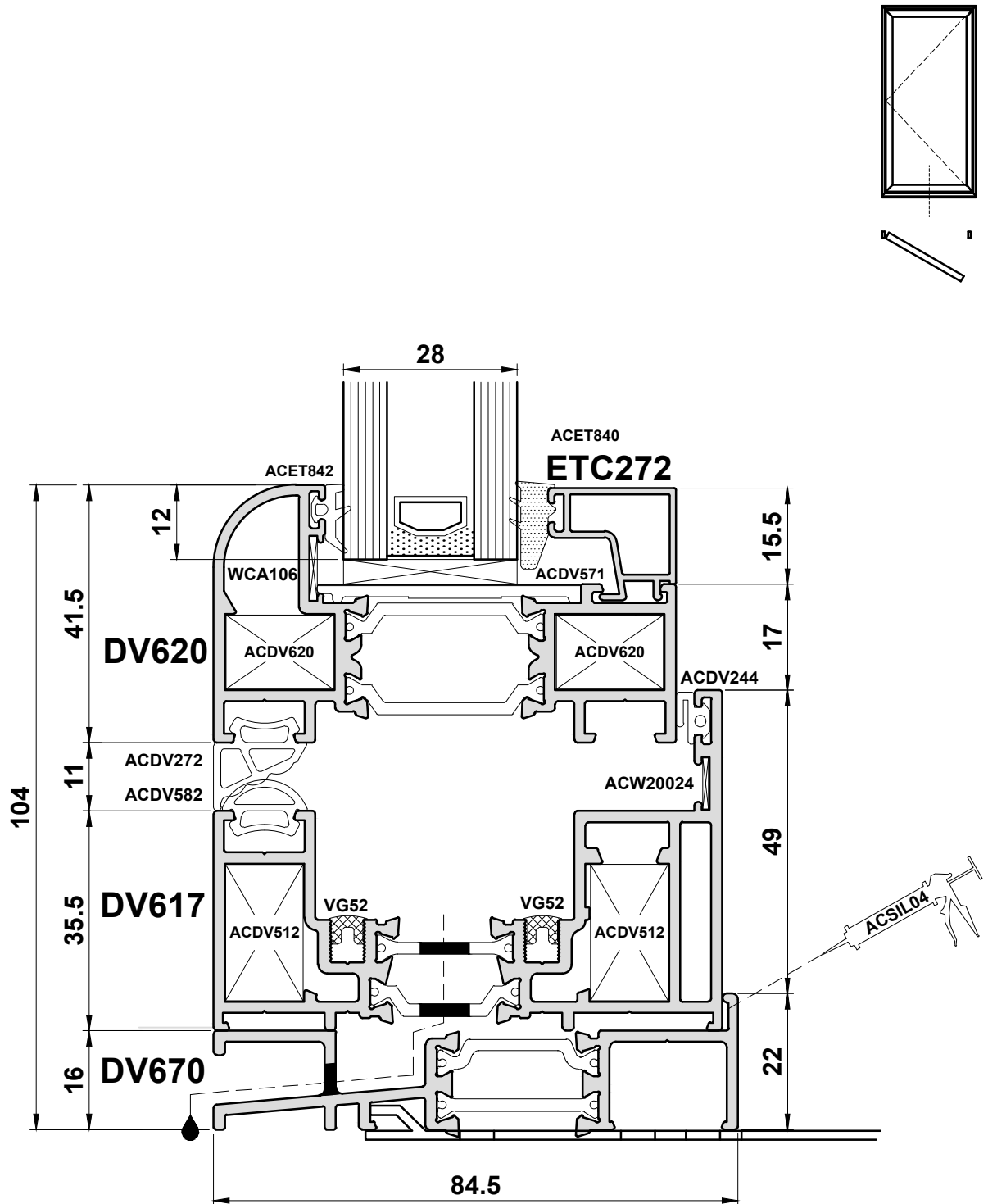
Do Not Scale From This Drawing

Open Out - Detail 11



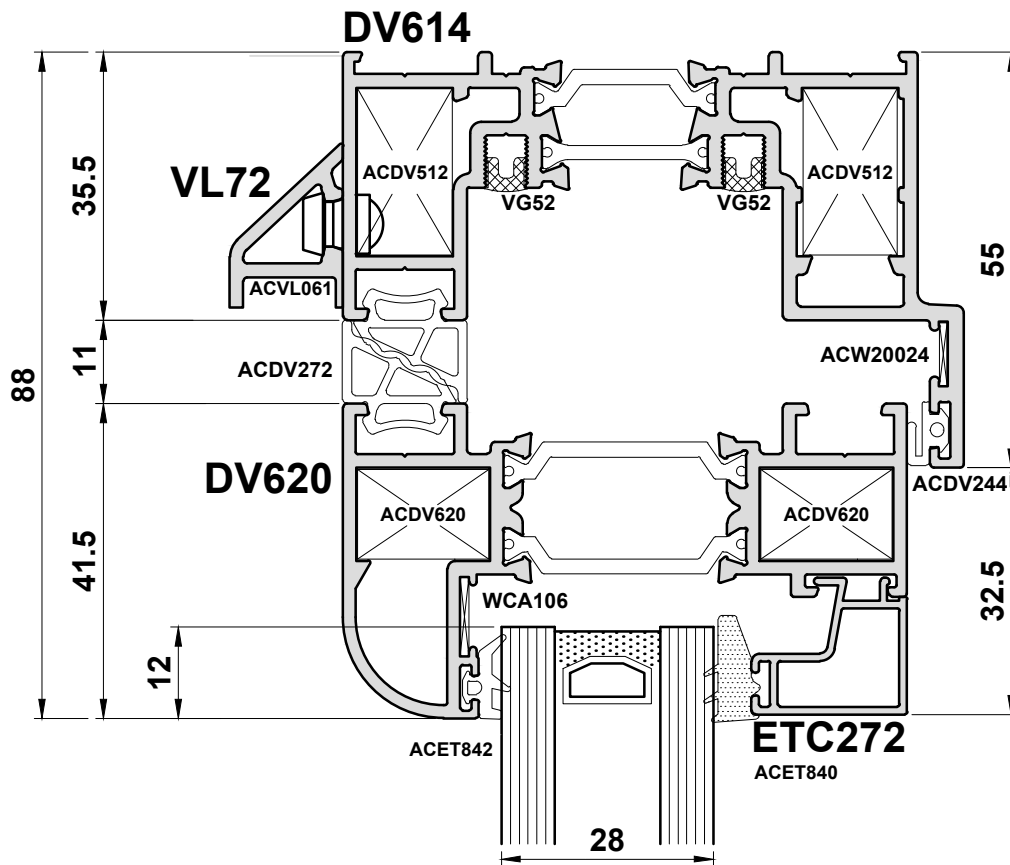
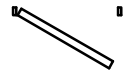
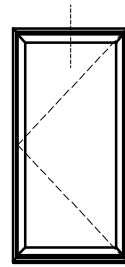
Do Not Scale From This Drawing

Open Out - Detail 12A



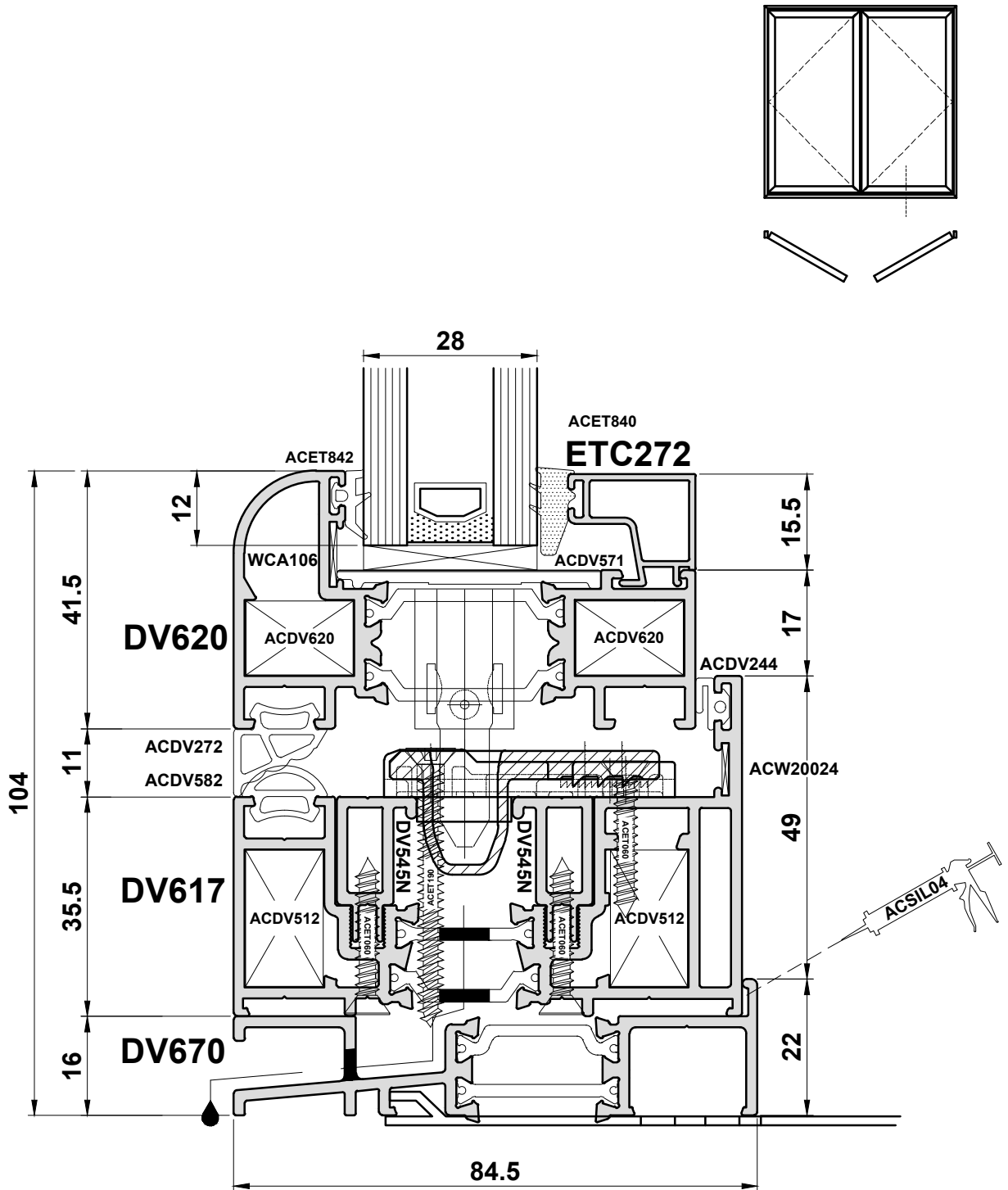
Do Not Scale From This Drawing

Open Out - Detail 12B

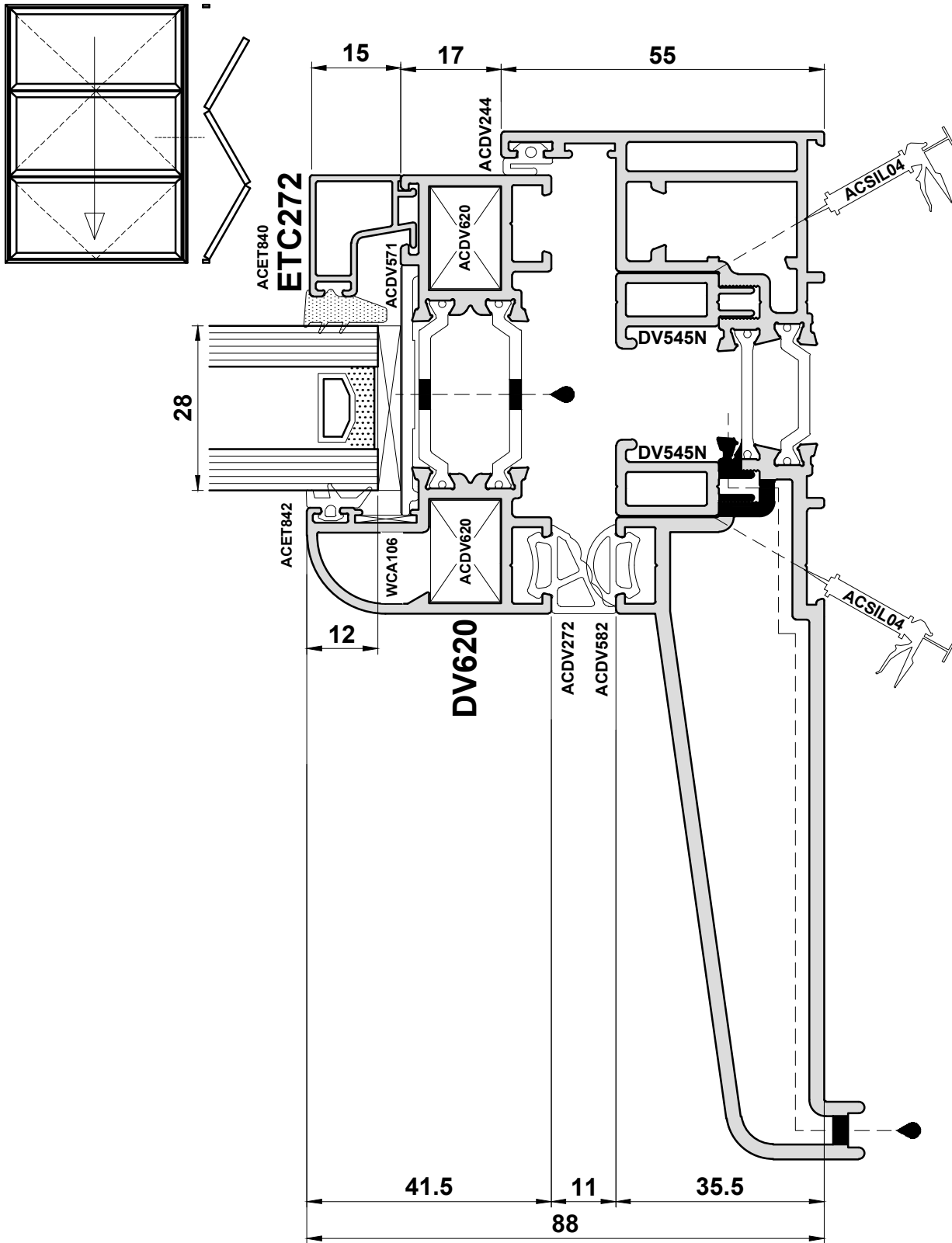


Do Not Scale From This Drawing

Open Out - Detail 13



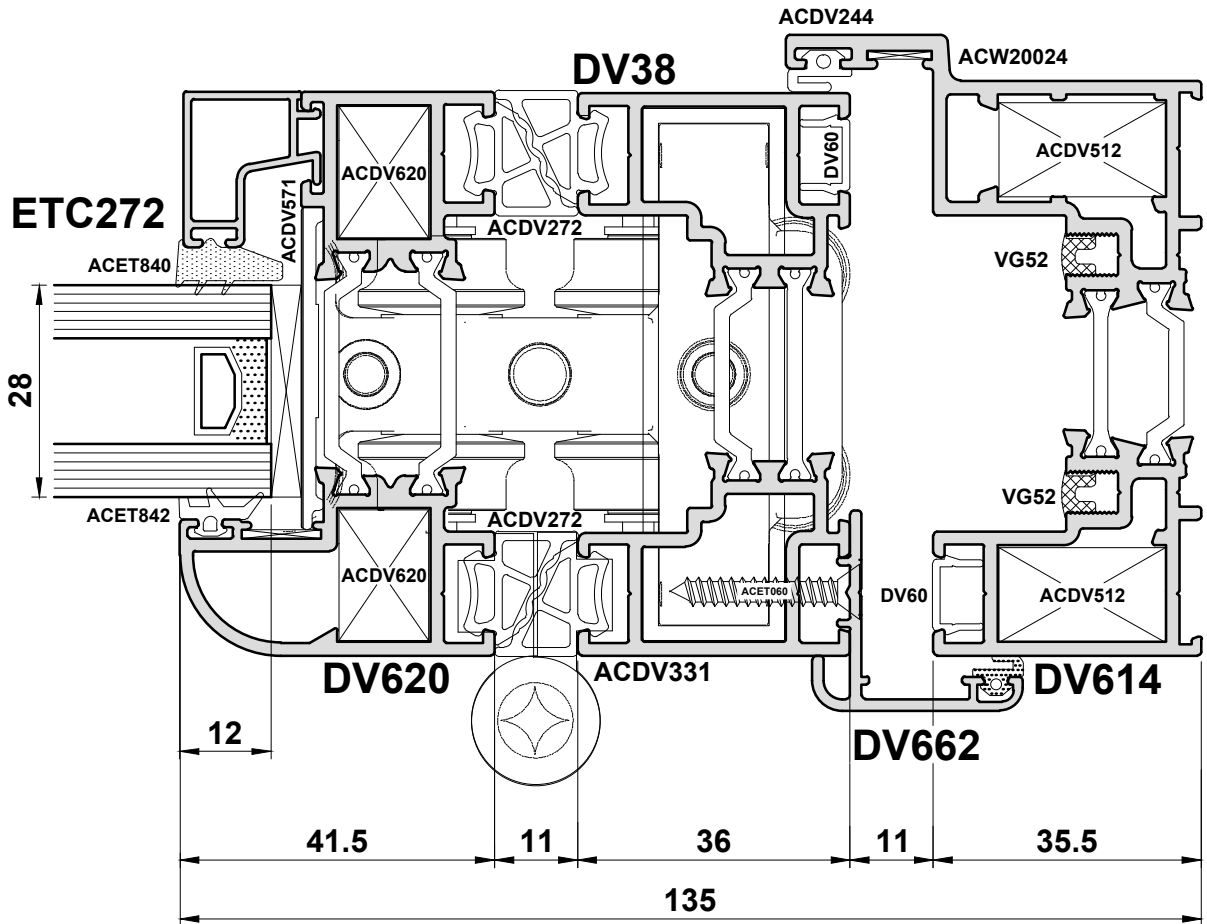
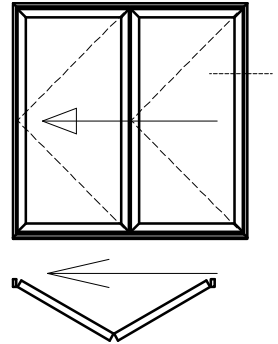
Do Not Scale From This Drawing



ACDV545N must be bonded when using DV676 cill. Do not screw from below.

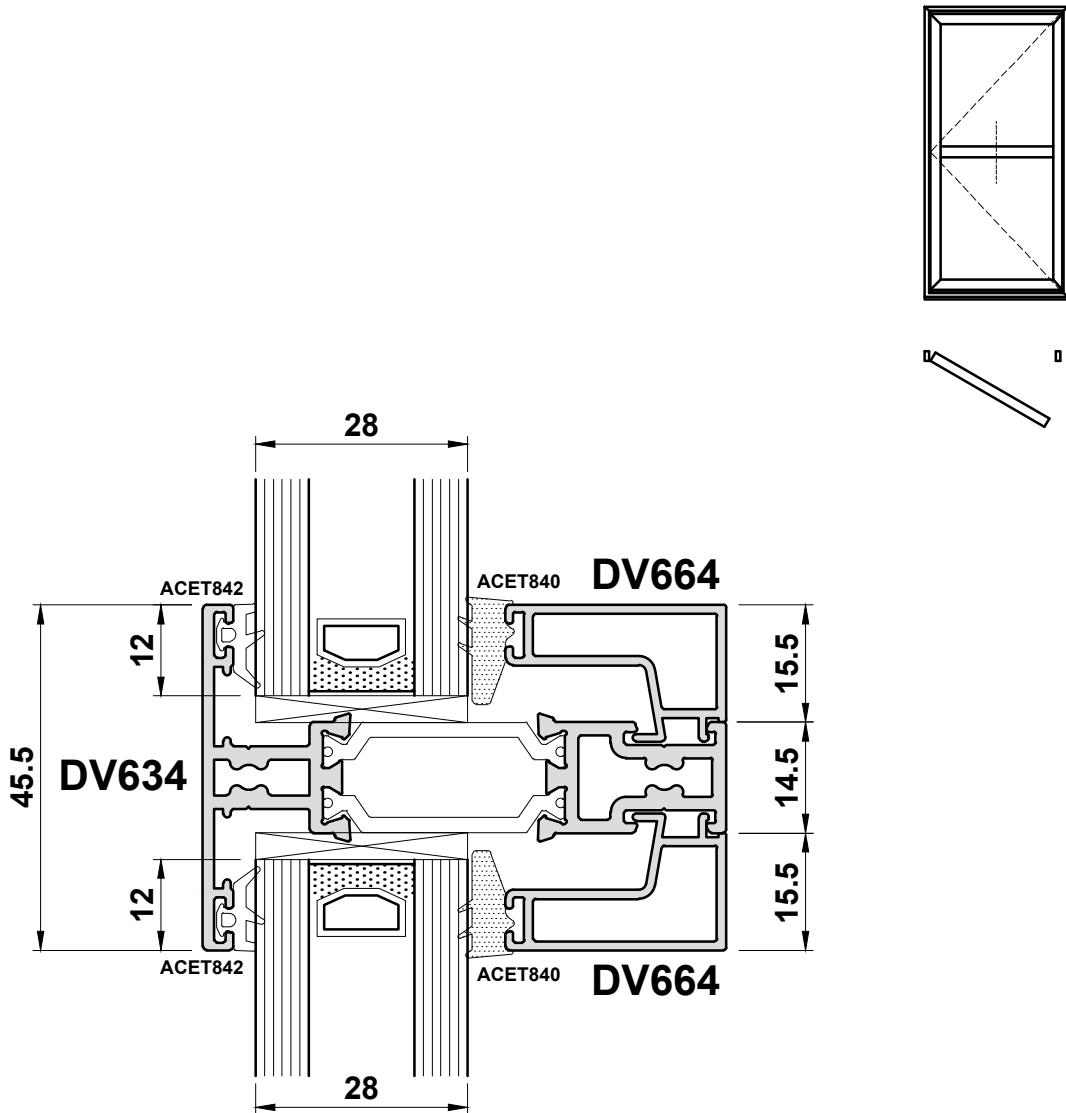
Do Not Scale From This Drawing

Open Out - Detail 14



Do Not Scale From This Drawing

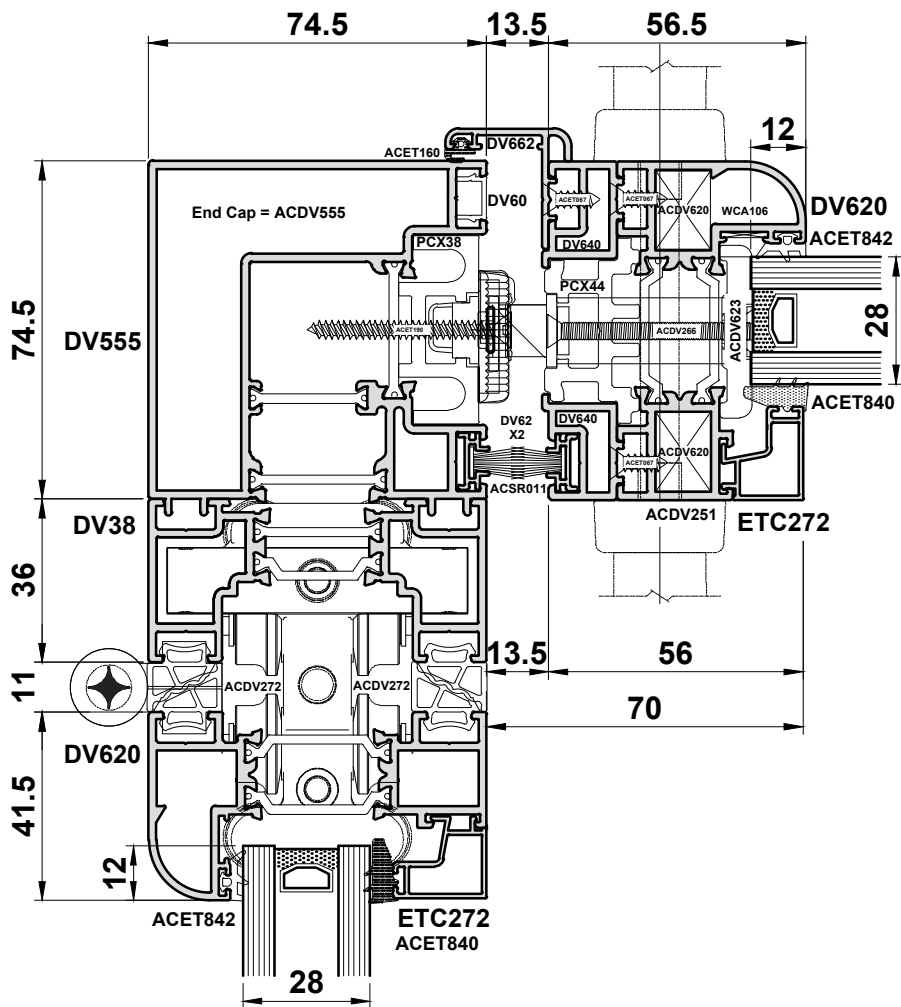
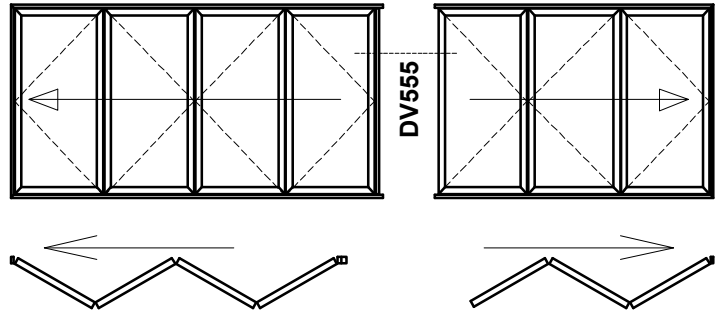
Open Out - Detail 15

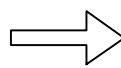


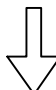
Above detail suitable for DV624 Sash ONLY

Do Not Scale From This Drawing

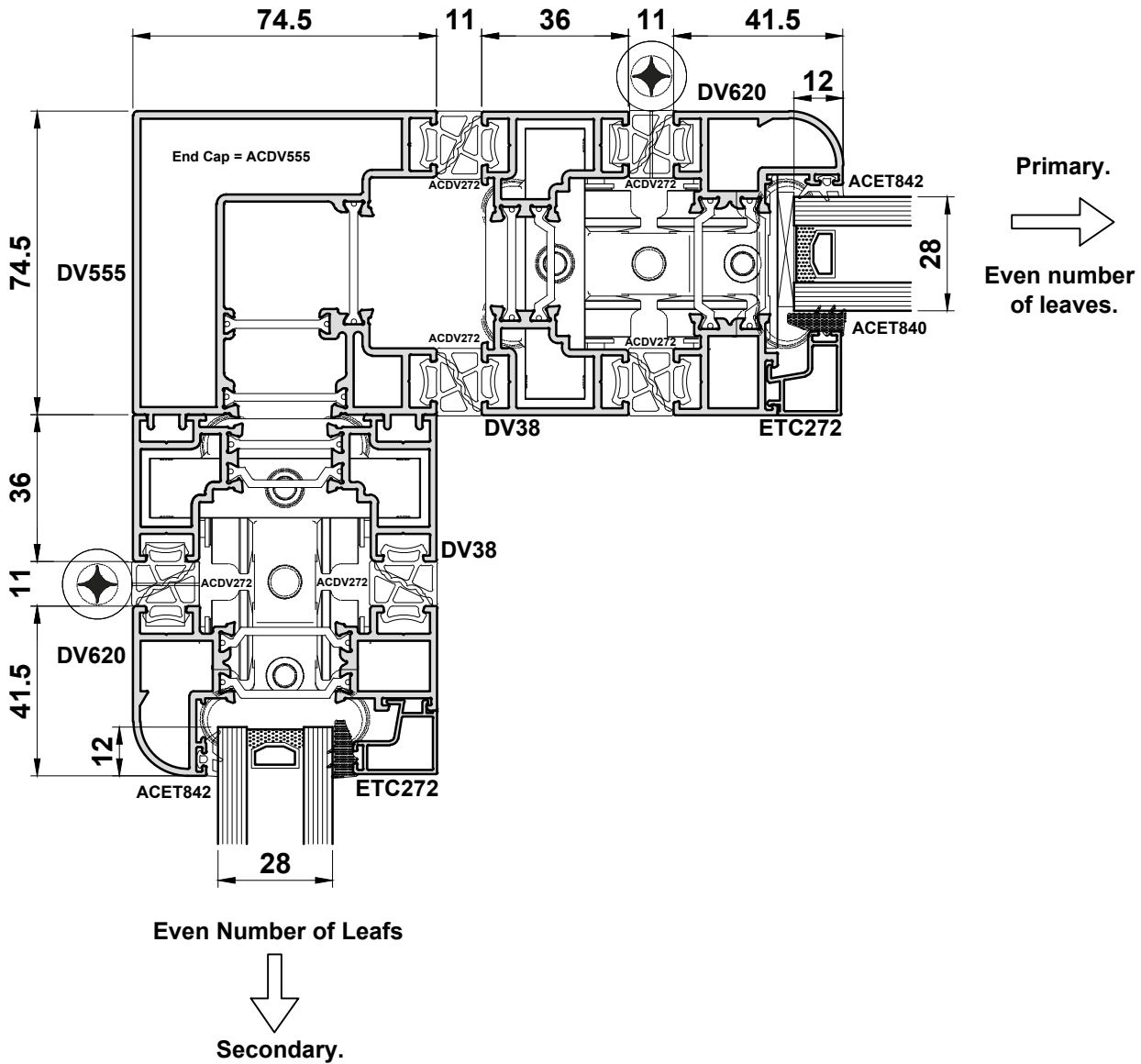
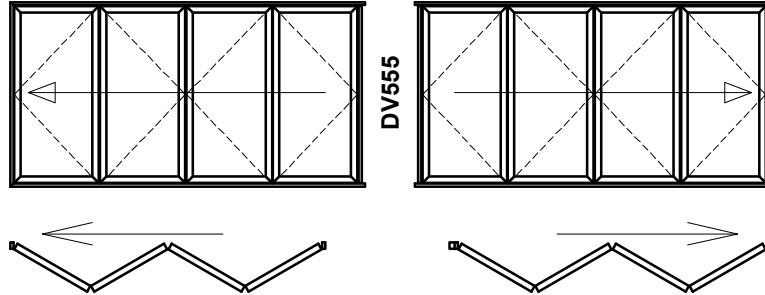
Open Out - Detail 16



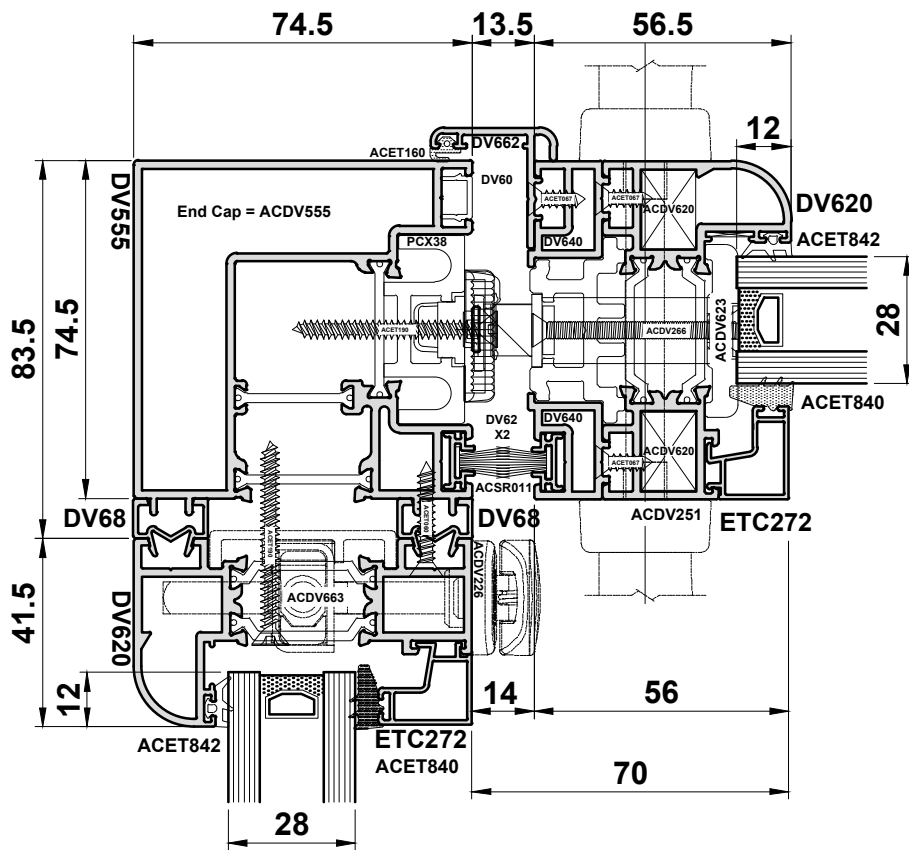
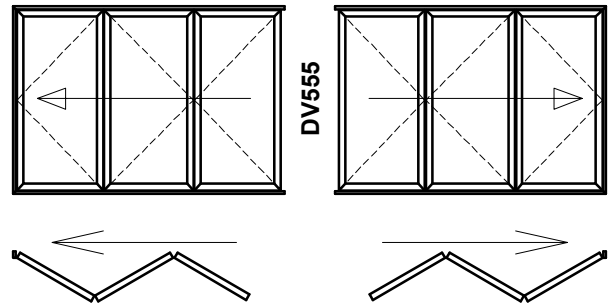
Primary.

 Odd number of leaves.

Even Number of Leaves


Do Not Scale From This Drawing



Do Not Scale From This Drawing



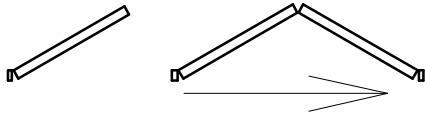
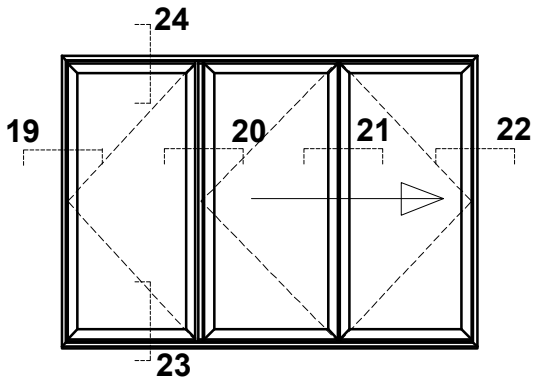
Primary.
→
Odd number of leaves.

Odd Number of Leaves
↓
Secondary.

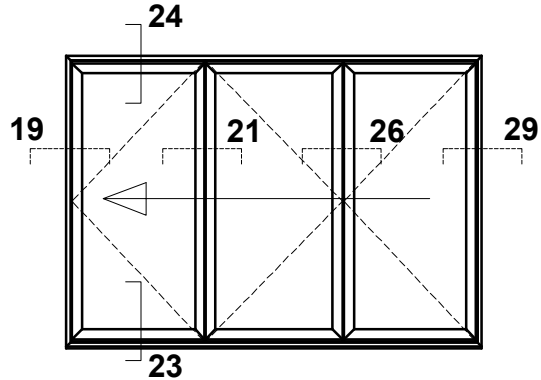
Do Not Scale From This Drawing

Open In Scale Elevations

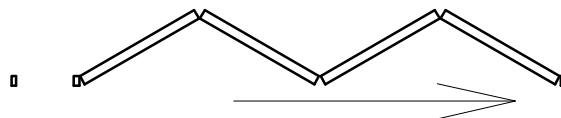
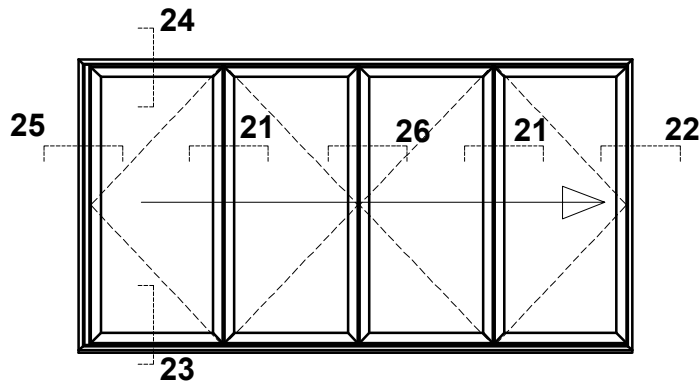
Type 1i



Type 2i



Type 3i

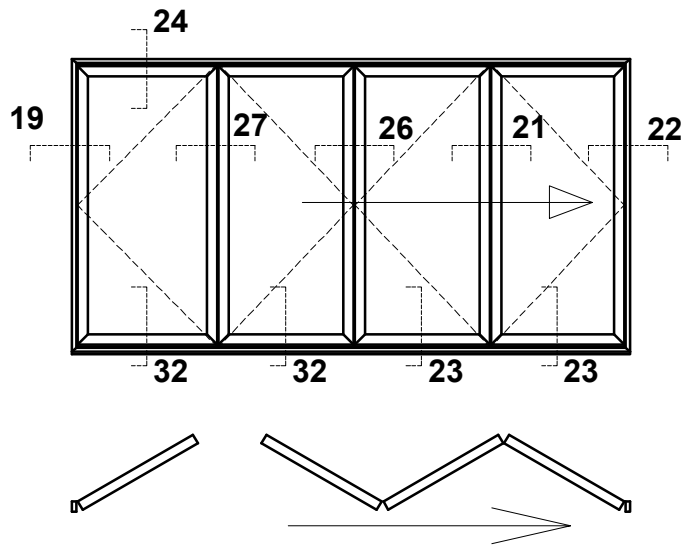


No External Access Or Traffic Door With This Design

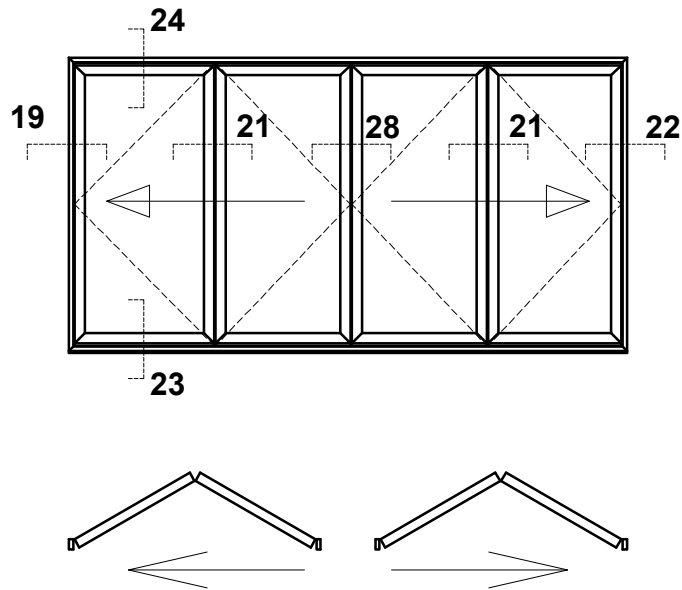
Do Not Scale From This Drawing

Open In Scale Elevations

Type 4i



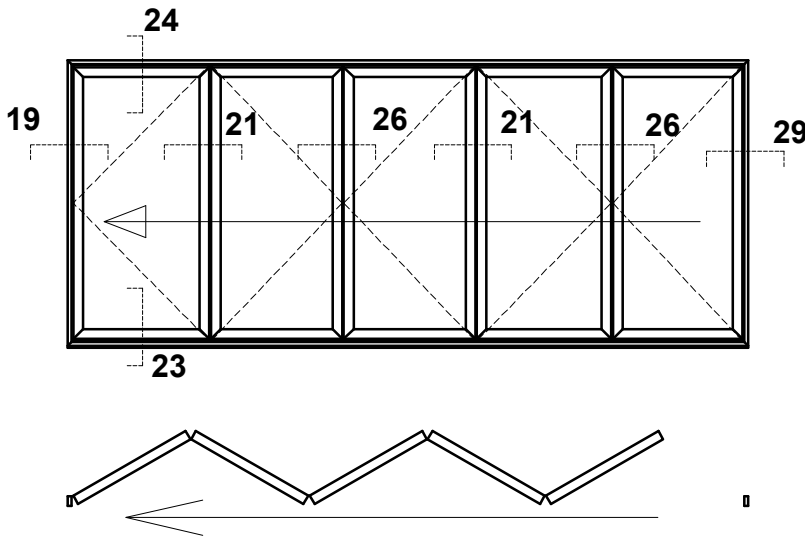
Type 5i



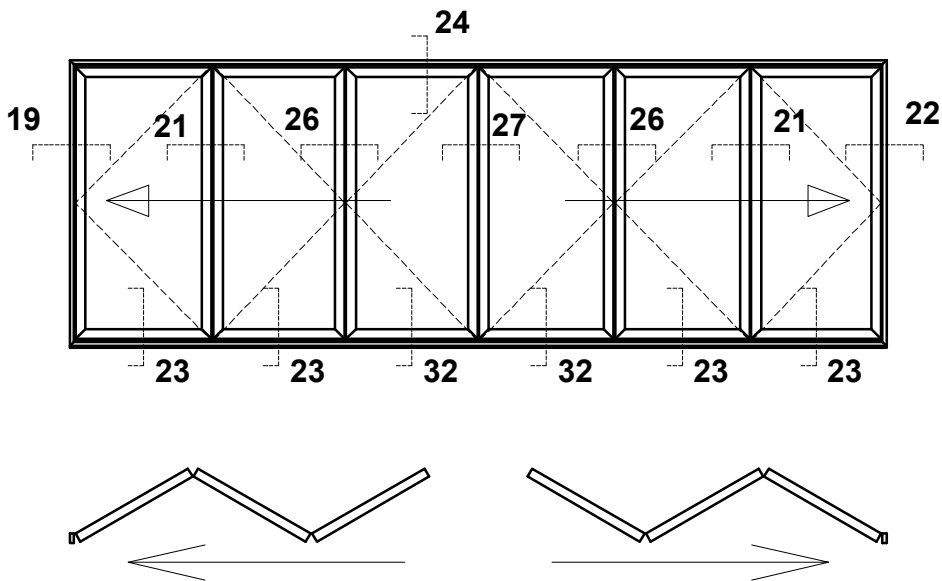
Do Not Scale From This Drawing

Open In Scale Elevations

Type 6i



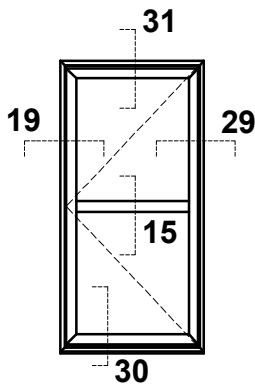
Type 7i



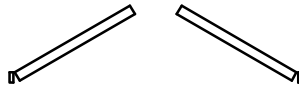
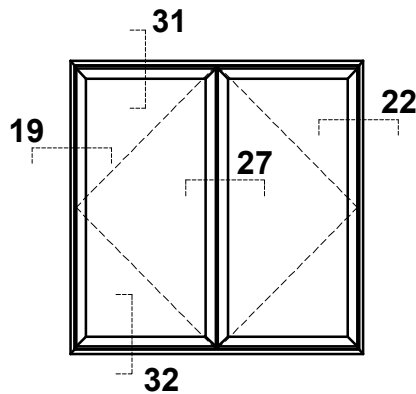
Do Not Scale From This Drawing

Open In Scale Elevations

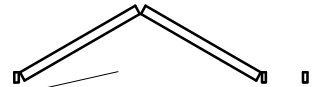
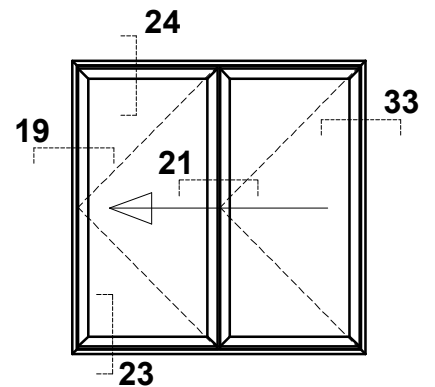
Single Swing Door.



Double Swing Door

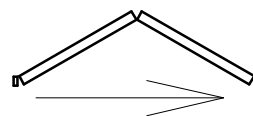
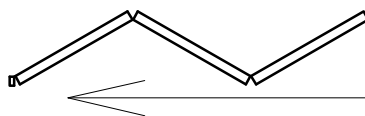
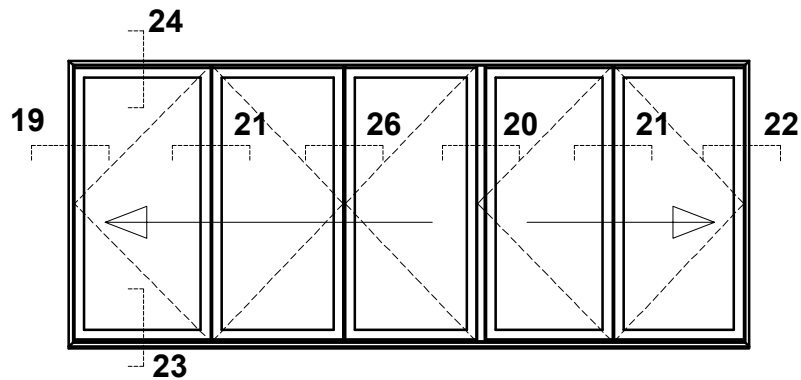


Double Slide Door



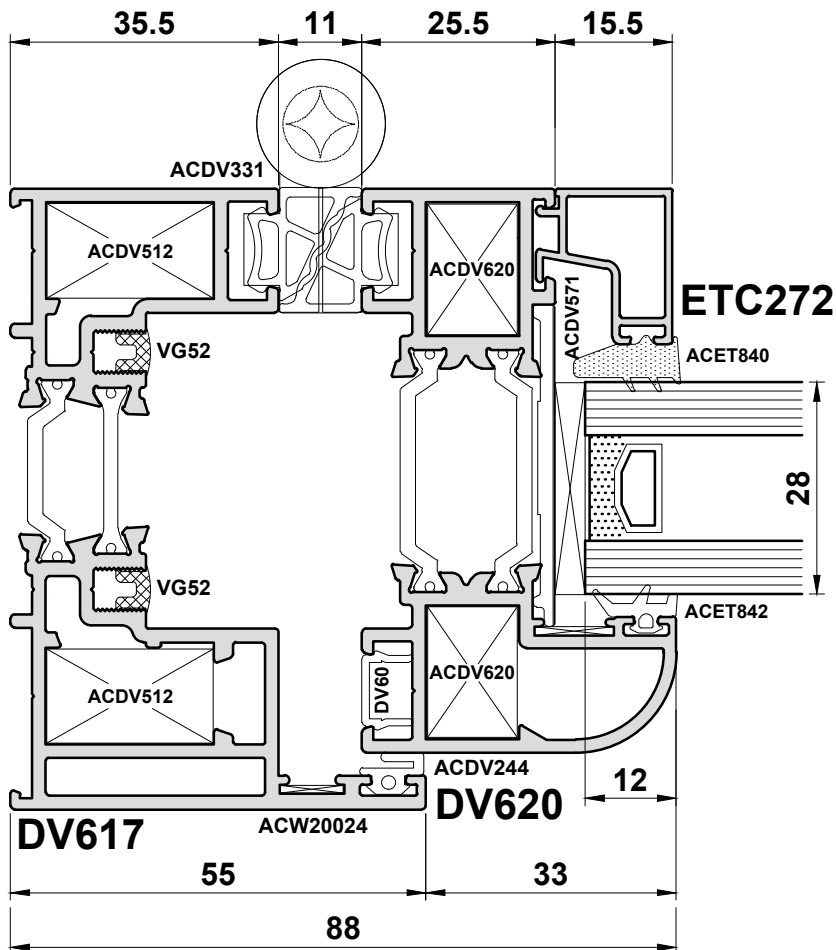
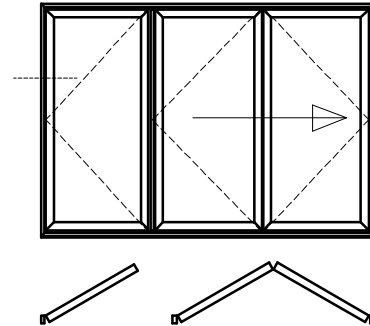
No External Access Or Traffic Door With This Design

3/2 Split Door



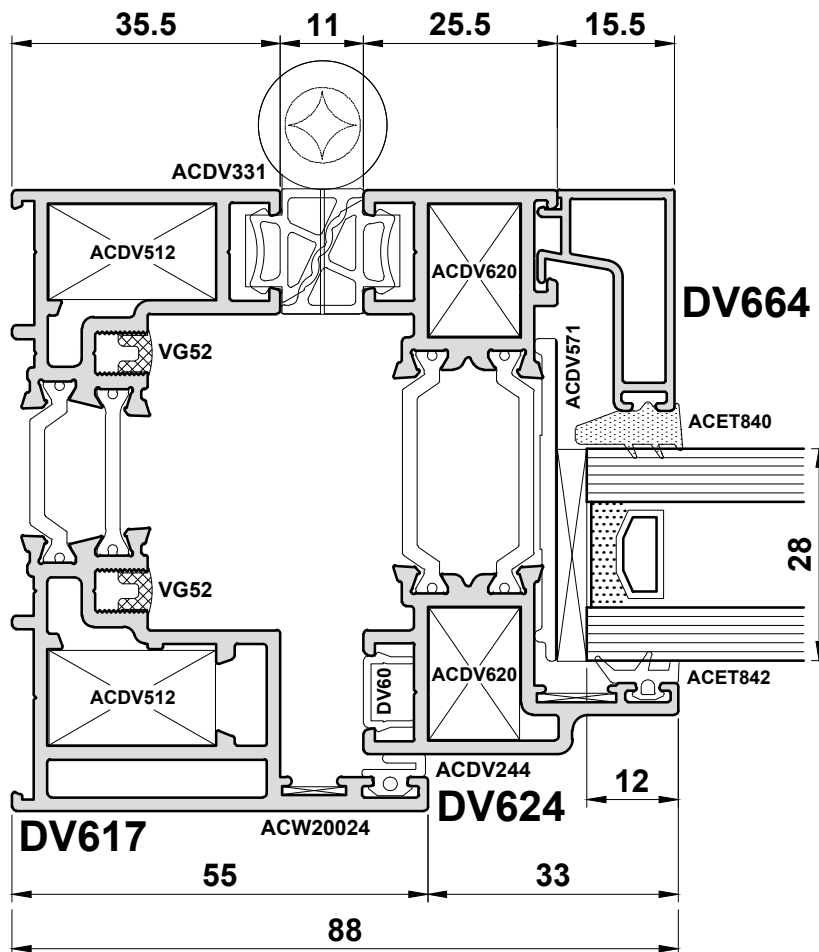
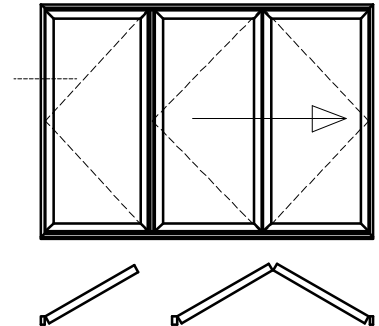
Do Not Scale From This Drawing

Open In - Detail 19A



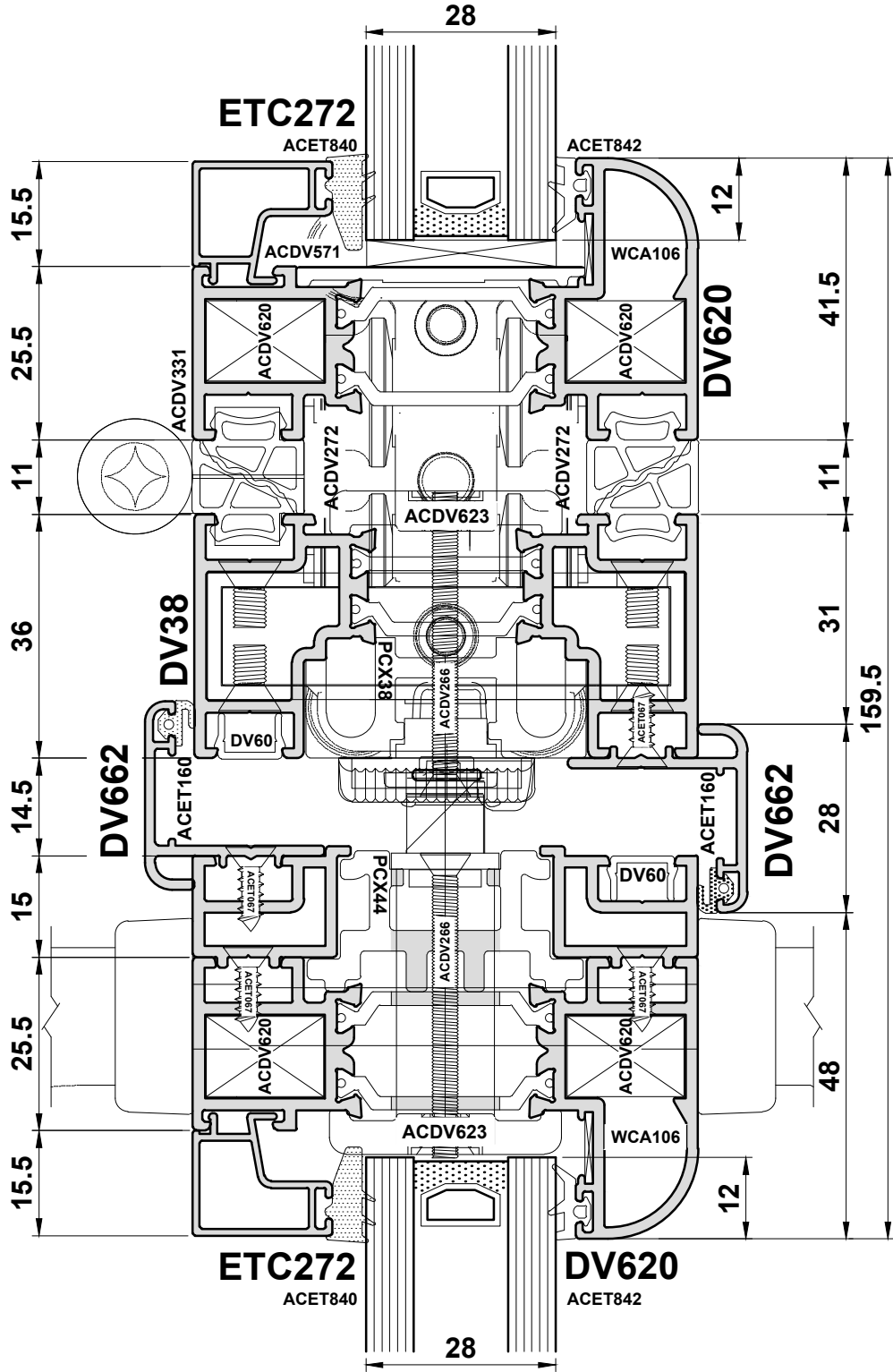
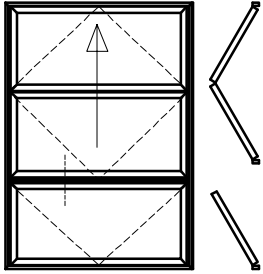
Do Not Scale From This Drawing

Open In - Detail 19B



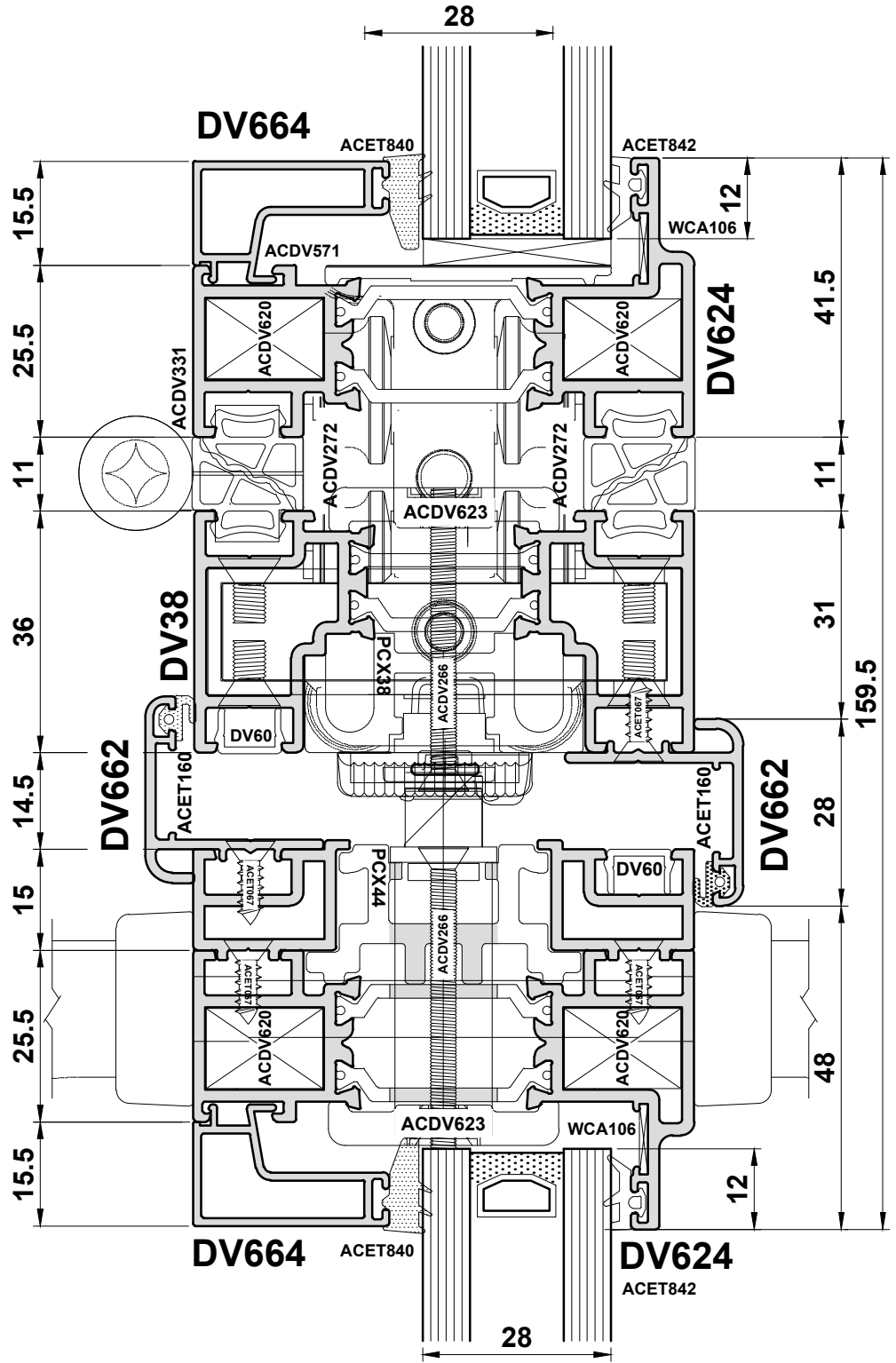
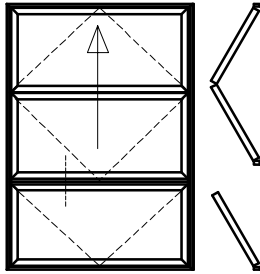
Do Not Scale From This Drawing

Open In - Detail 20A



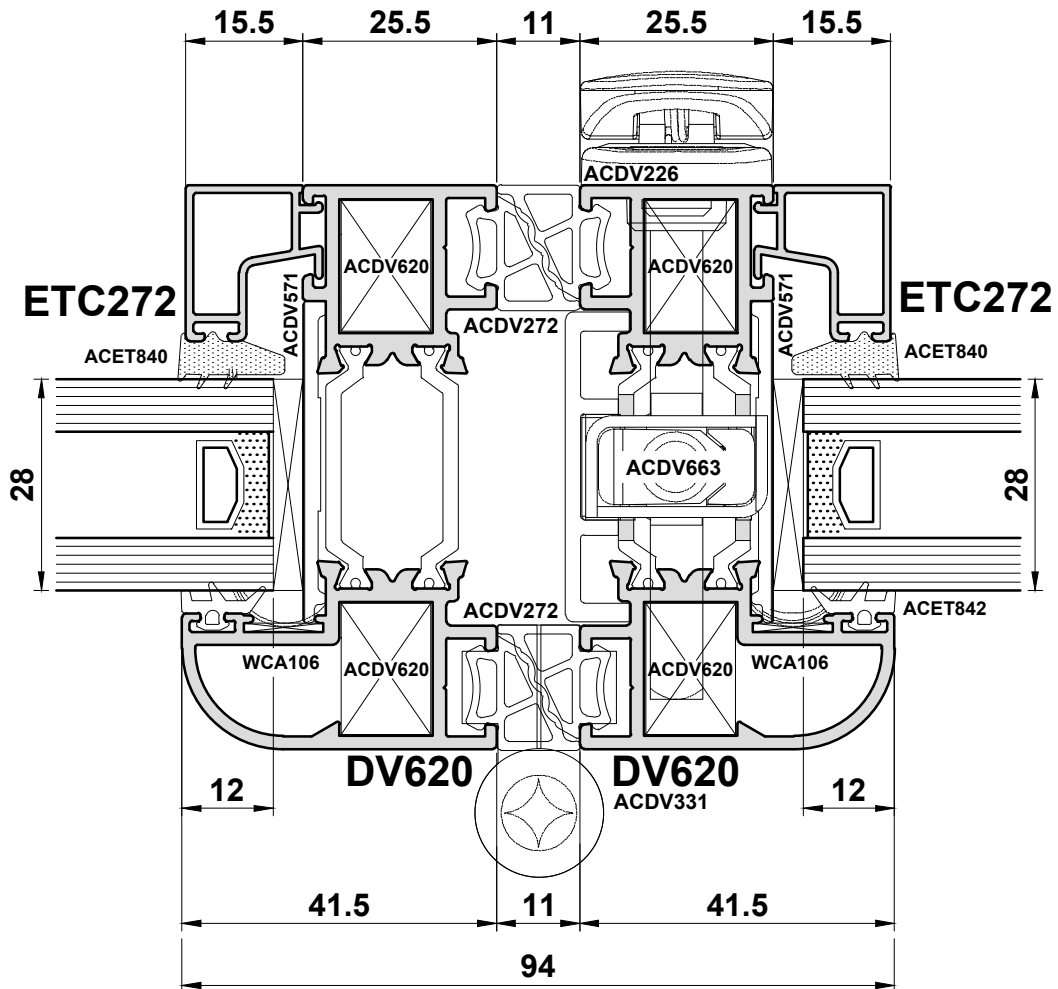
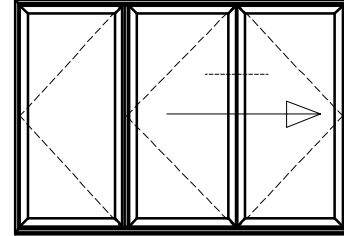
Do Not Scale From This Drawing

Open In - Detail 20B



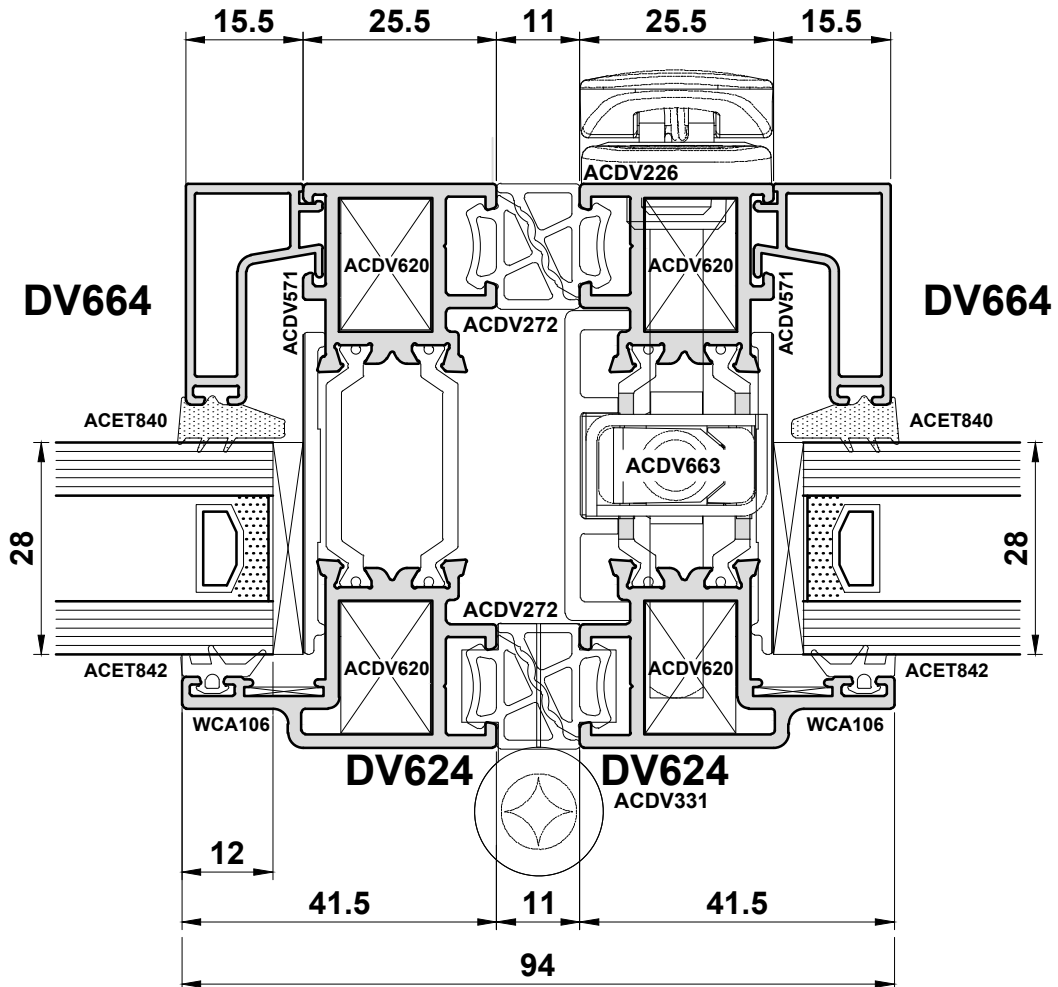
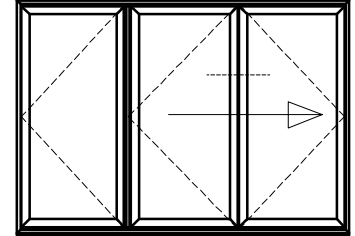
Do Not Scale From This Drawing

Open In - Detail 21A



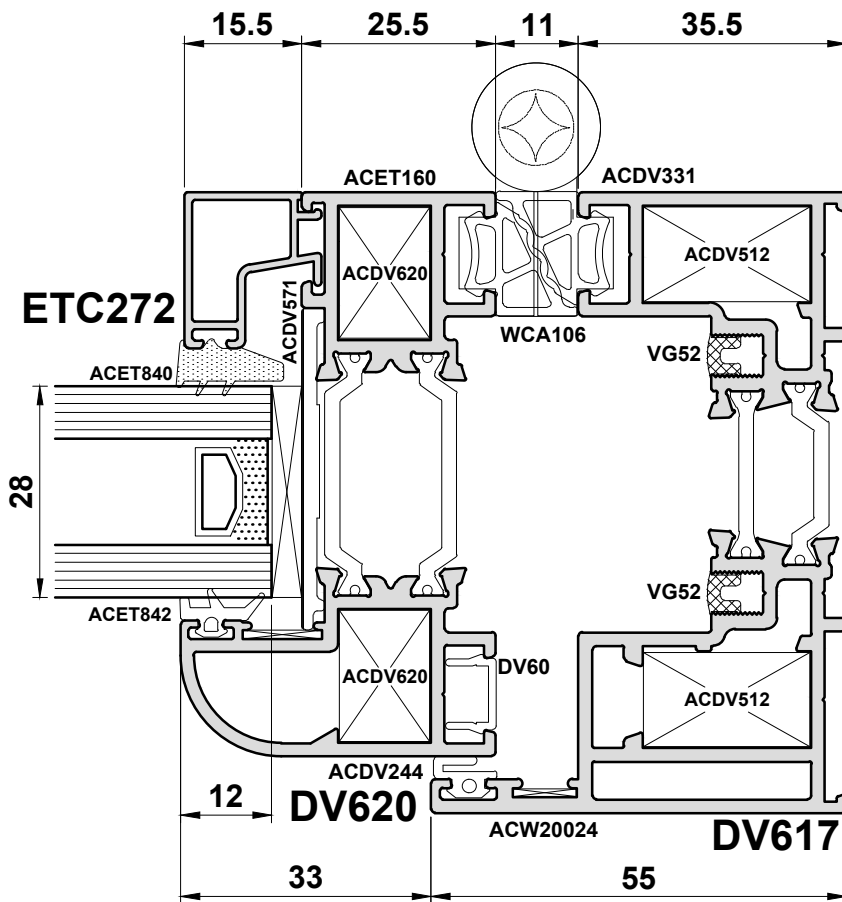
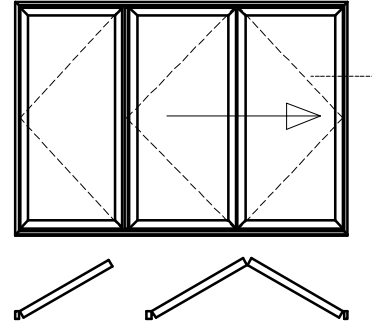
Do Not Scale From This Drawing

Open In - Detail 21B



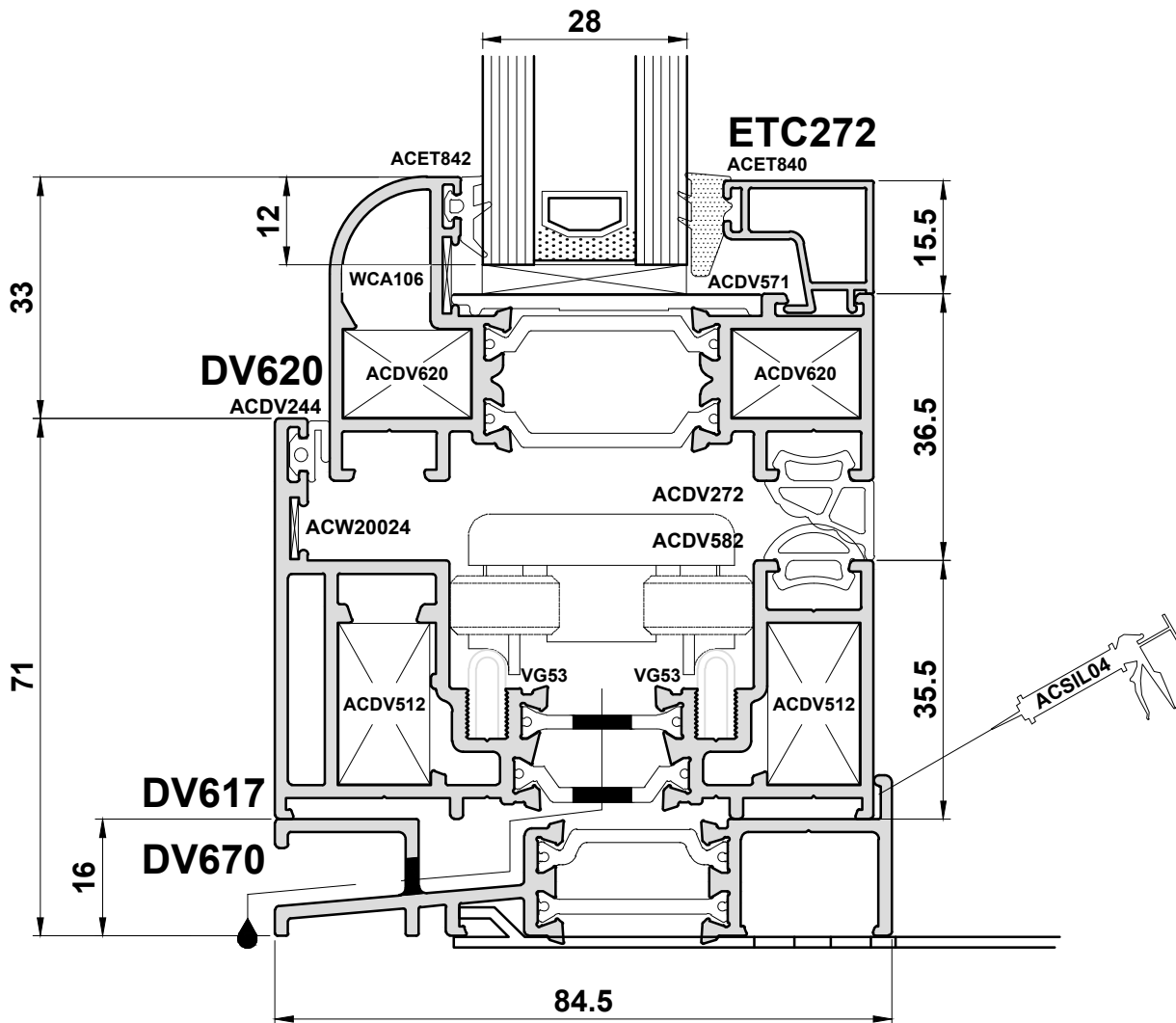
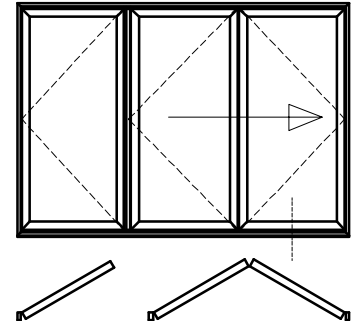
Do Not Scale From This Drawing

Open In - Detail 22



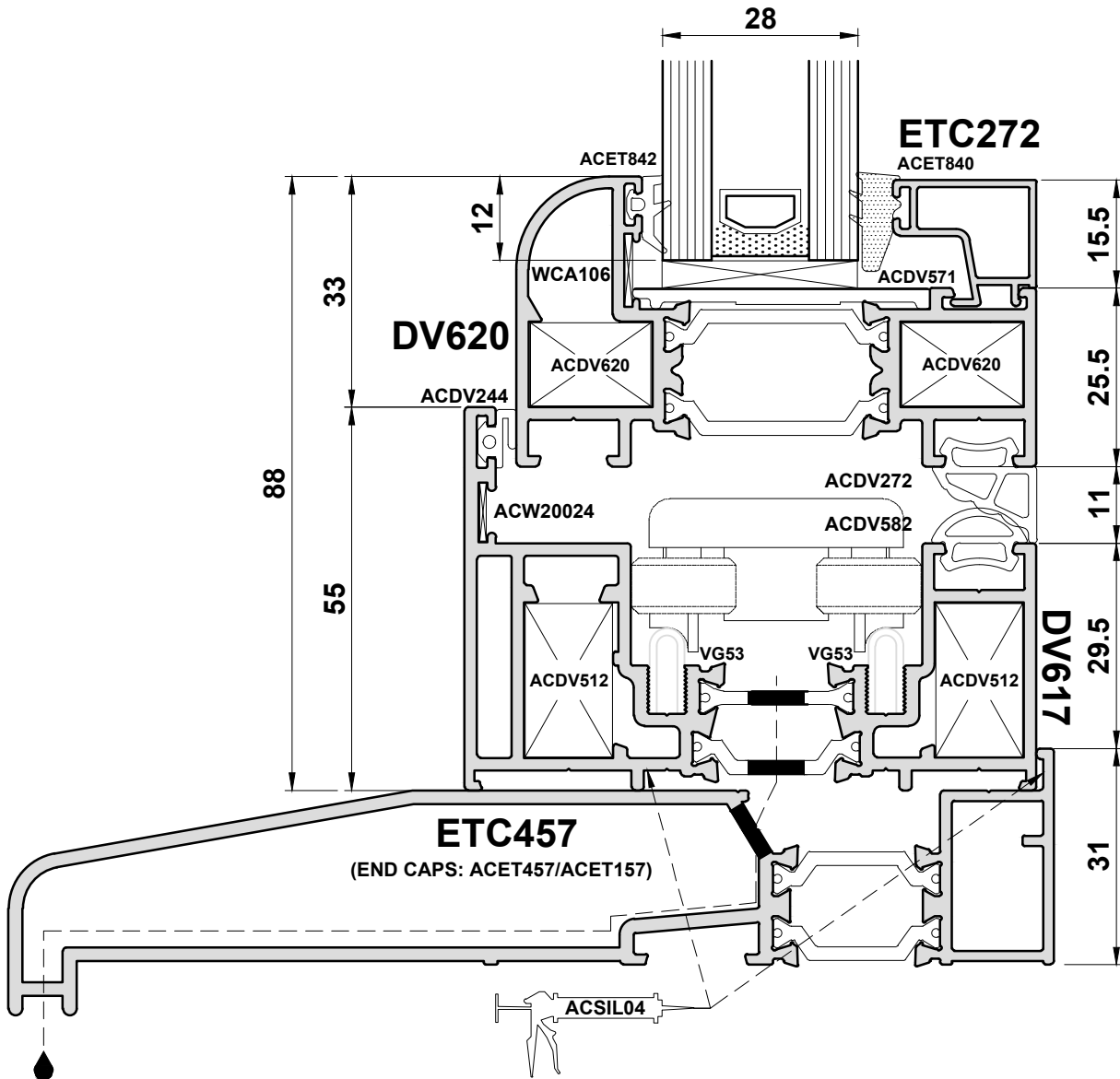
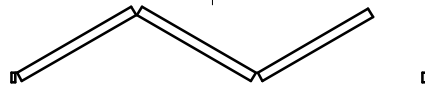
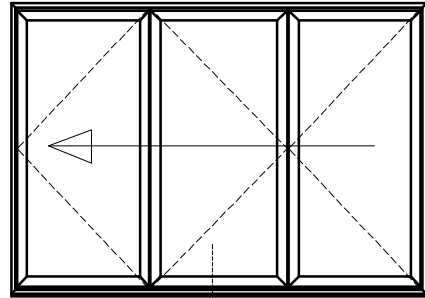
Do Not Scale From This Drawing

Open In - Detail 23A



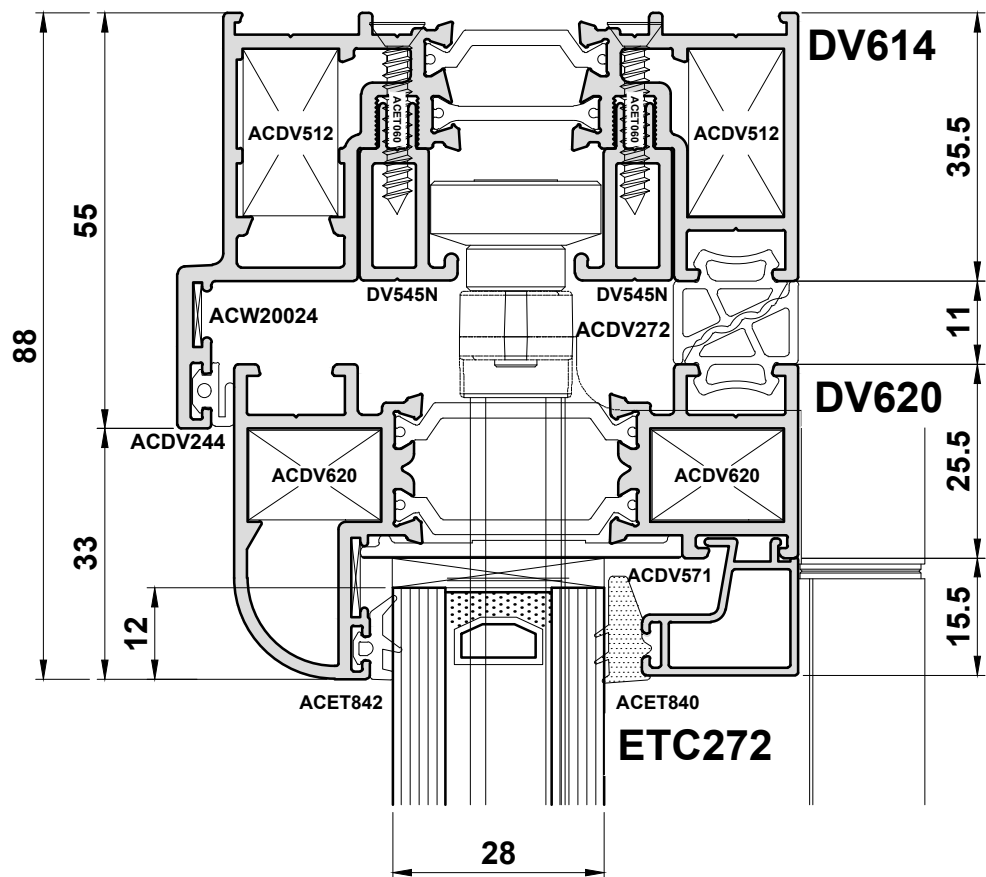
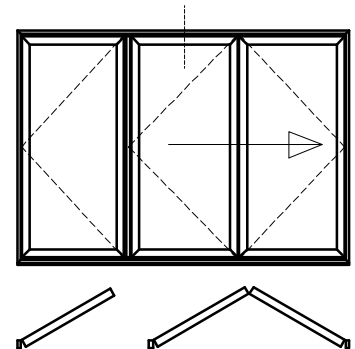
Do Not Scale From This Drawing

Open In - Detail 23B



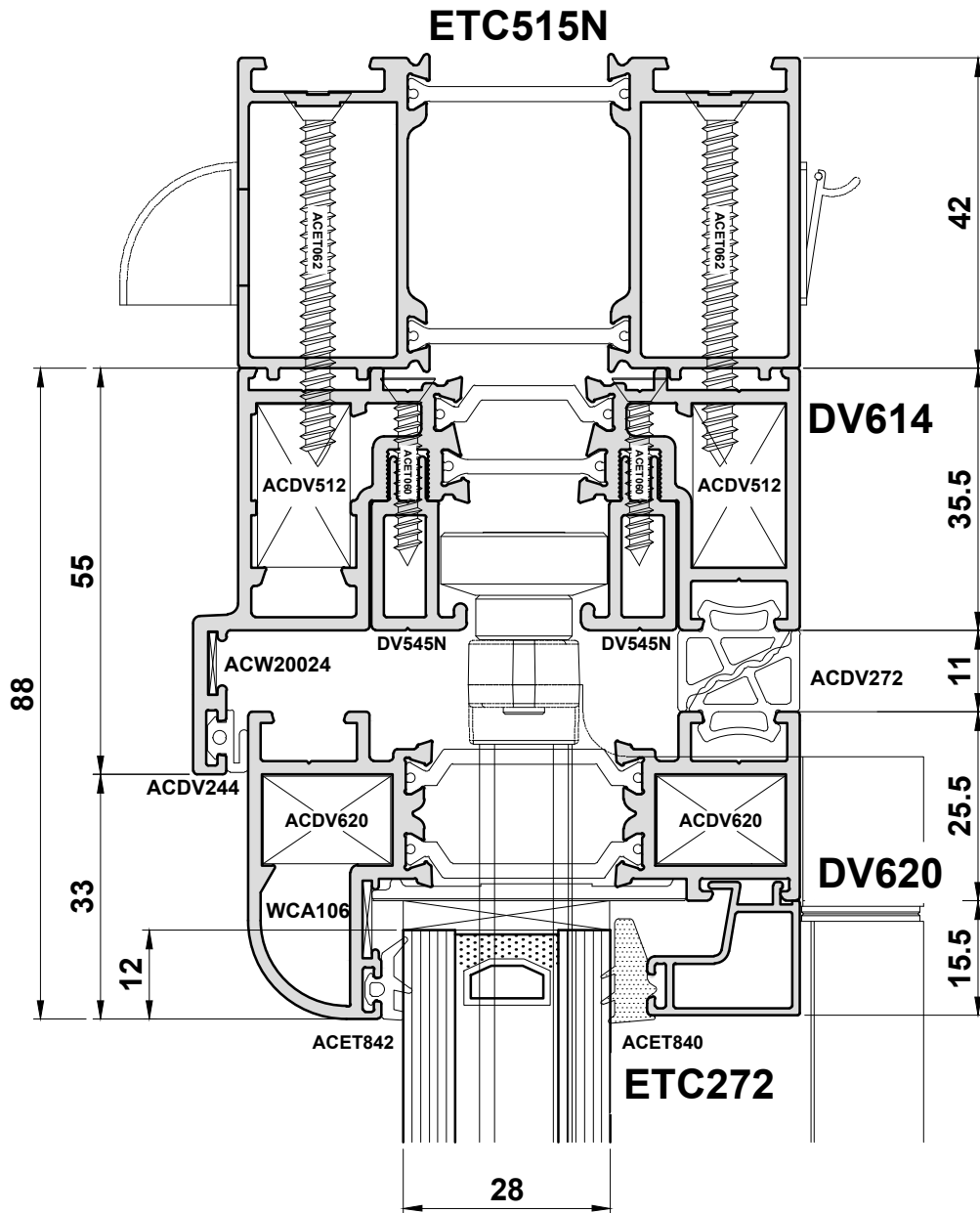
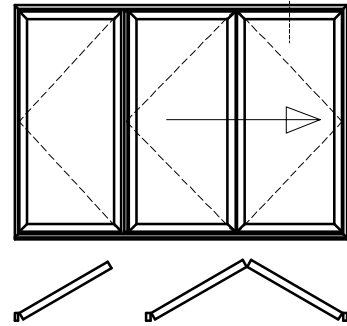
Do Not Scale From This Drawing

Open In - Detail 24A



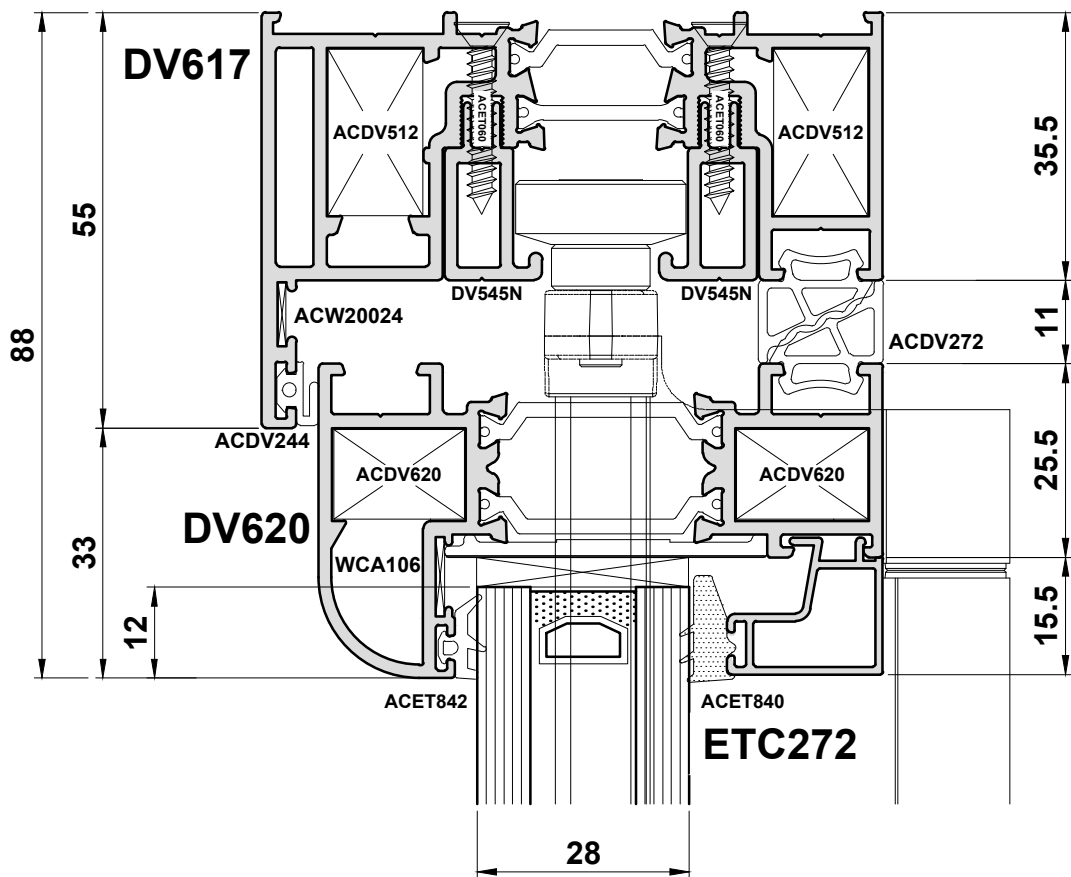
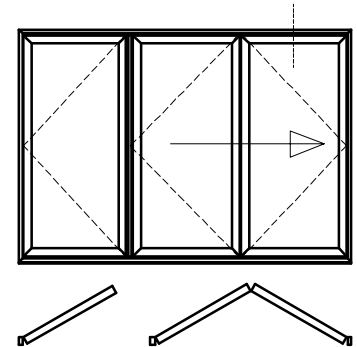
Do Not Scale From This Drawing

Open In - Detail 24B



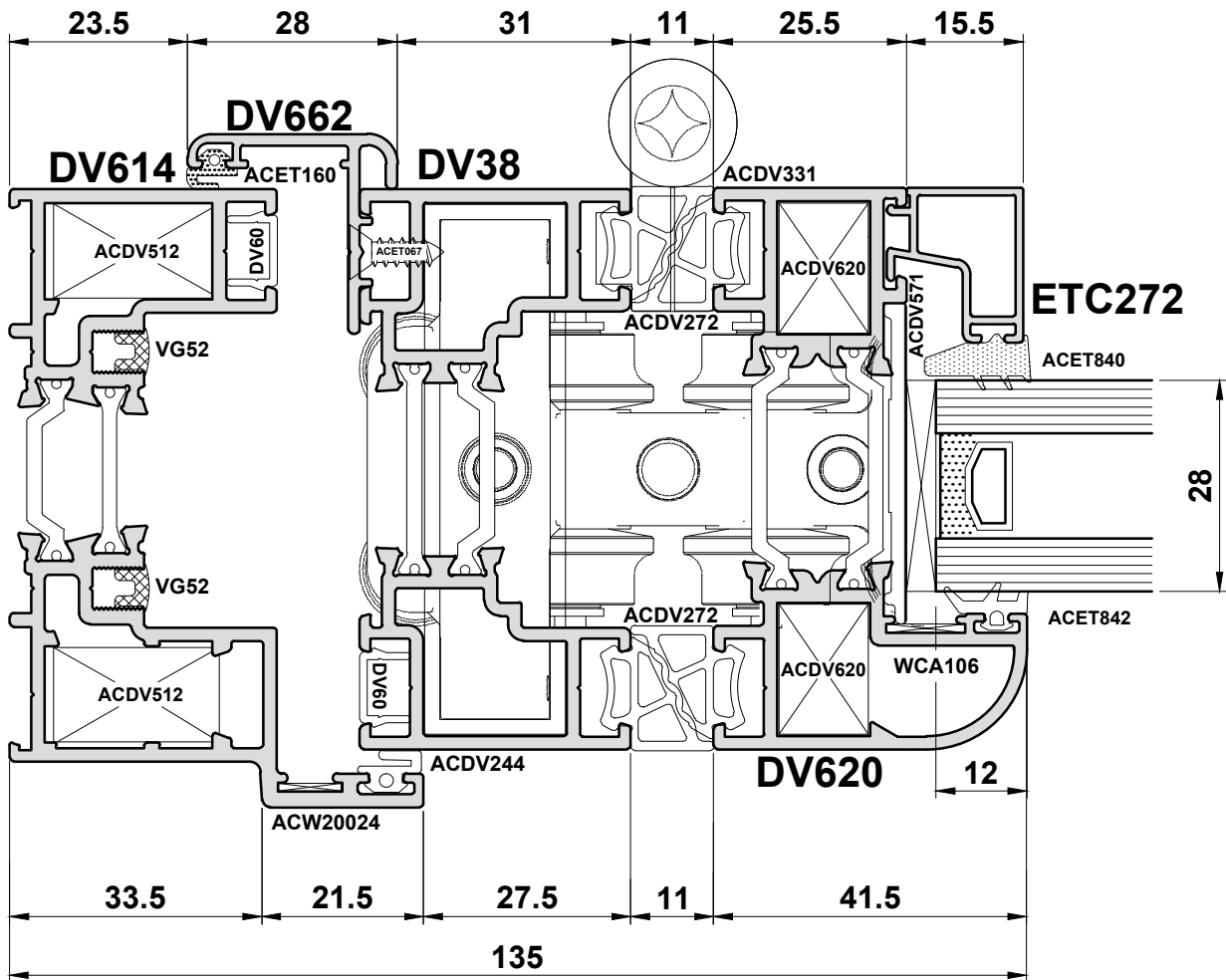
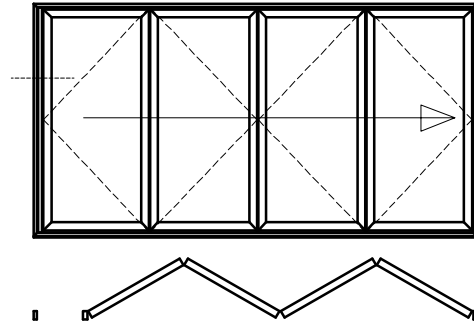
Do Not Scale From This Drawing

Open In - Detail 24C



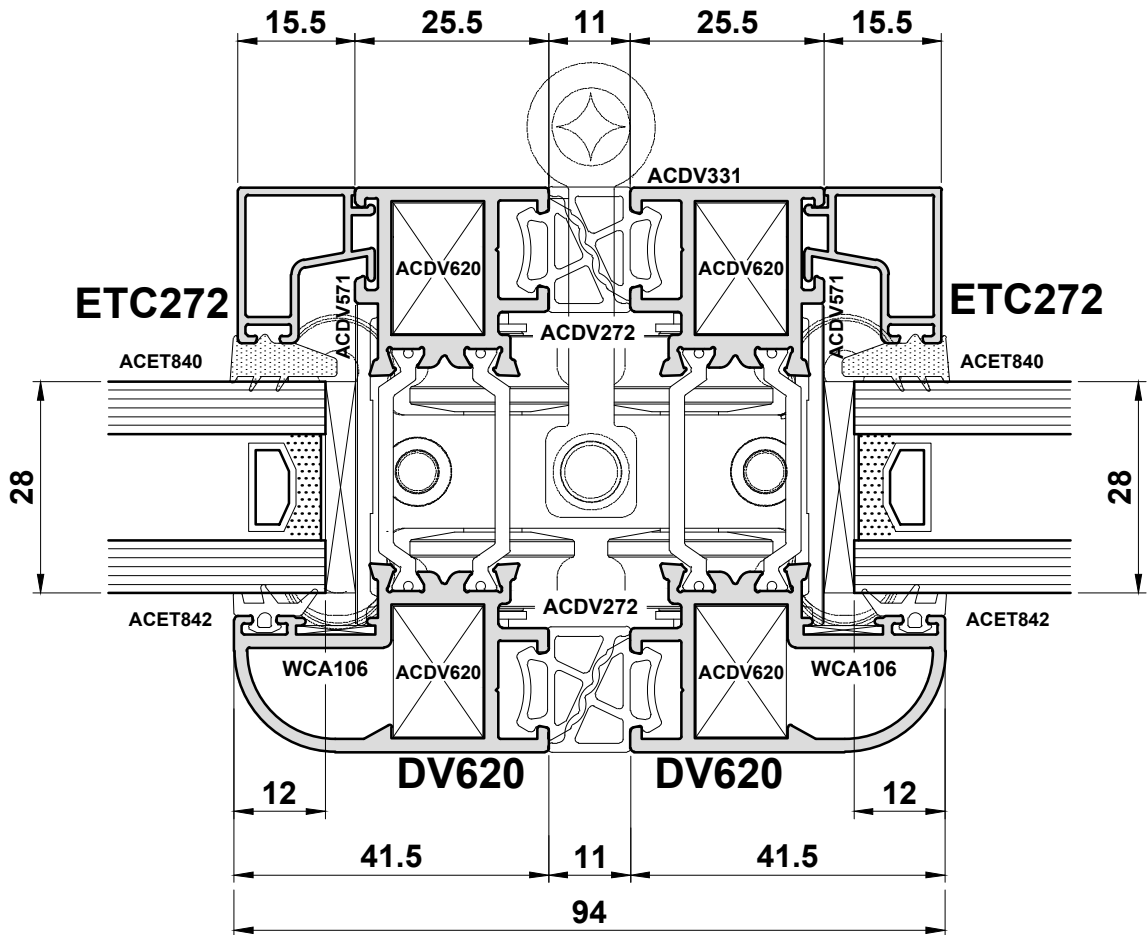
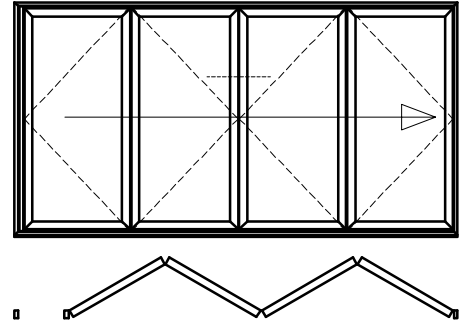
Do Not Scale From This Drawing

Open In - Detail 25



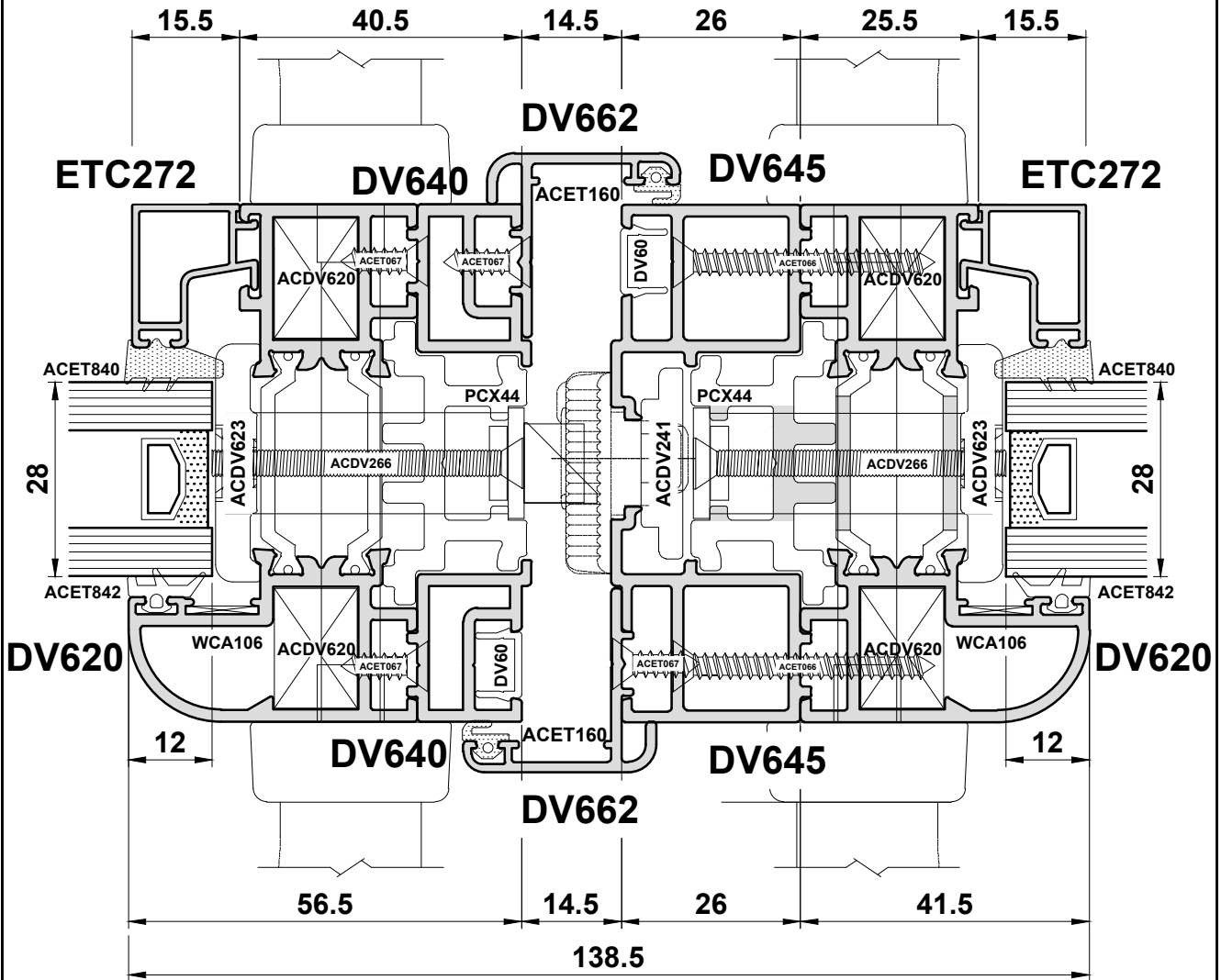
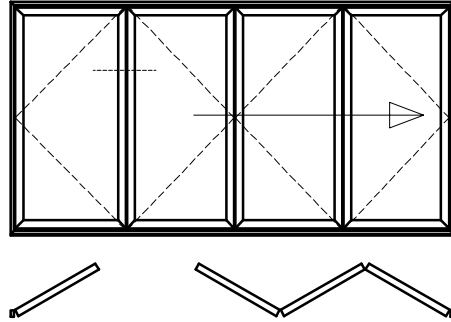
Do Not Scale From This Drawing

Open In - Detail 26



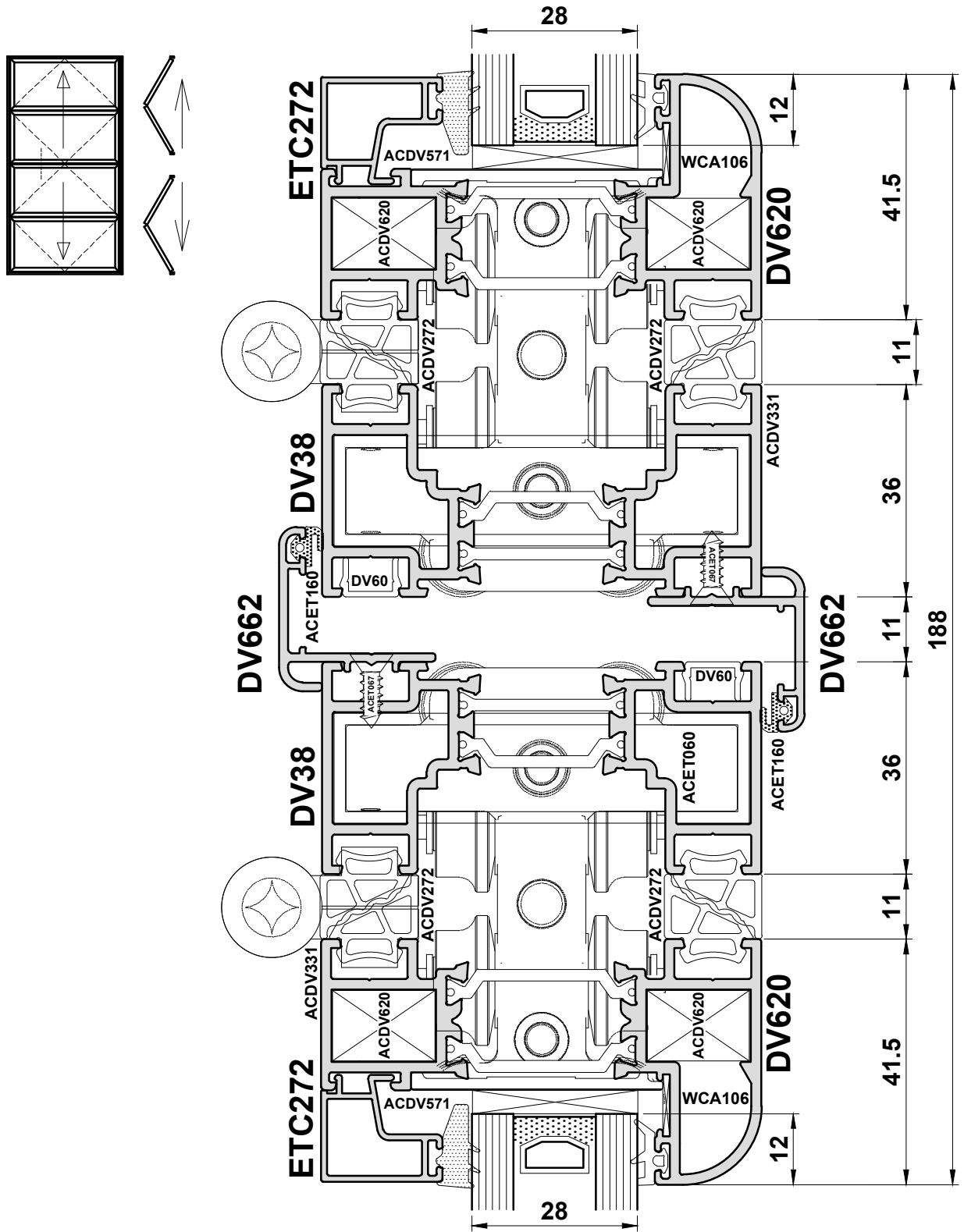
Do Not Scale From This Drawing

Open In - Detail 27



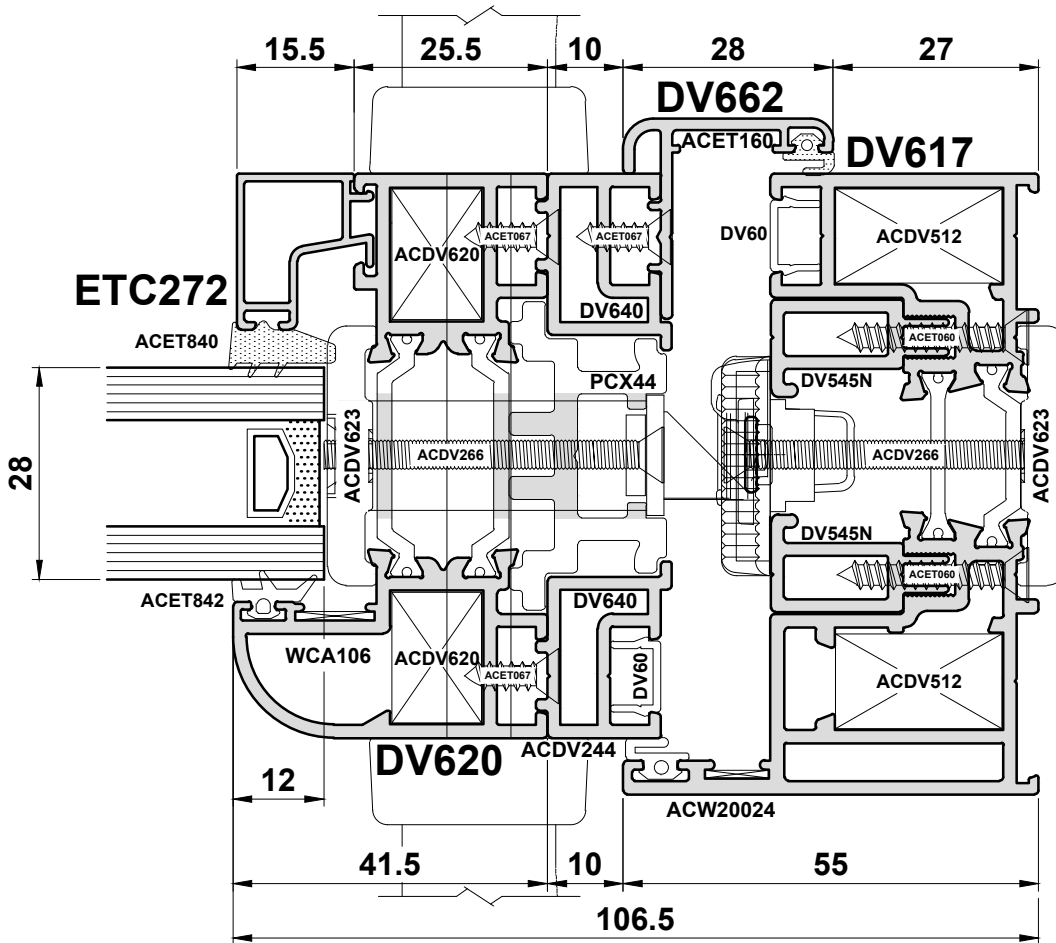
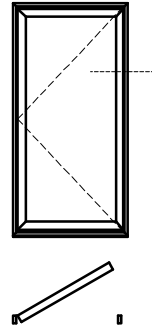
Do Not Scale From This Drawing

Open In - Detail 28



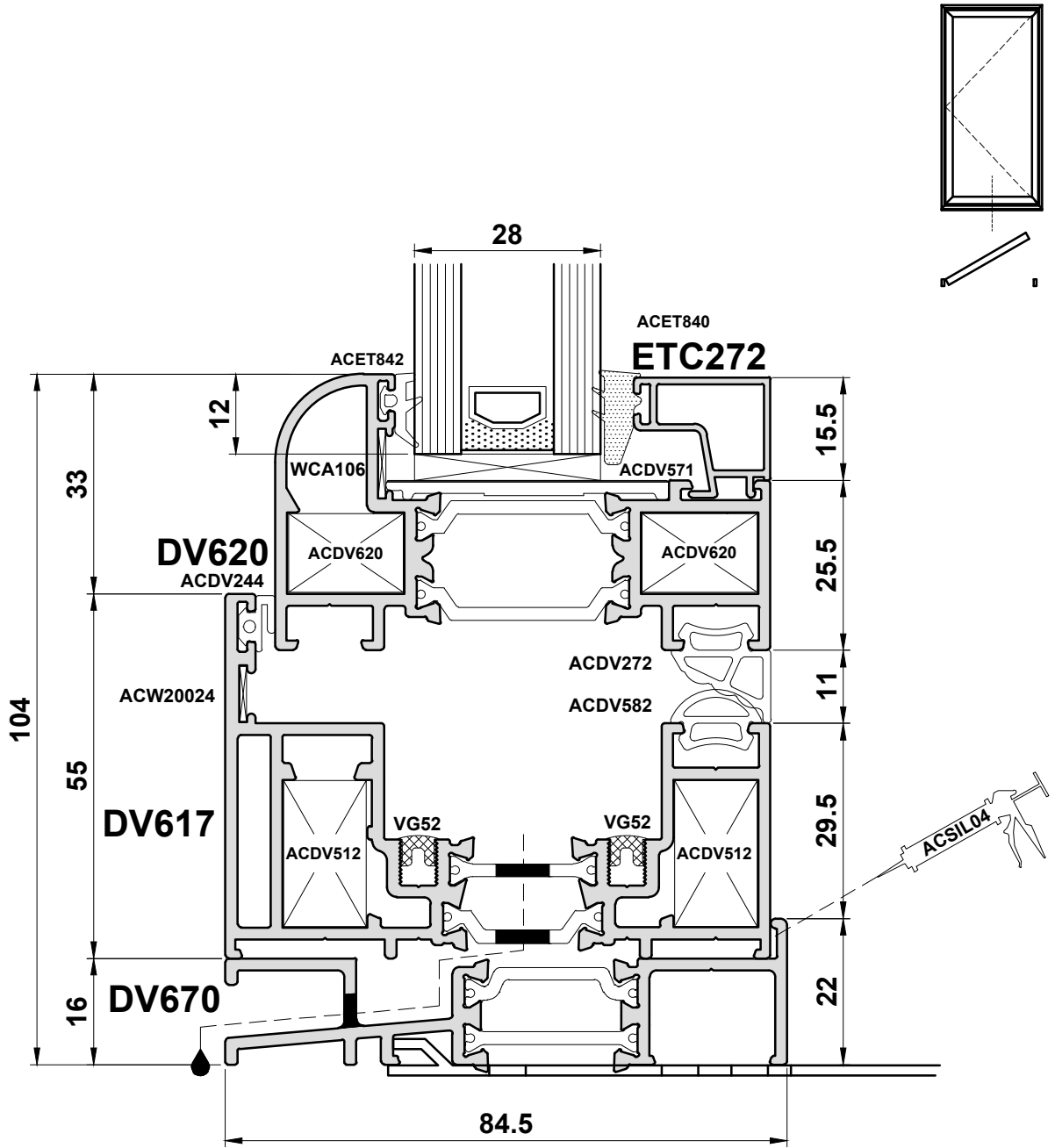
Do Not Scale From This Drawing

Open In - Detail 29



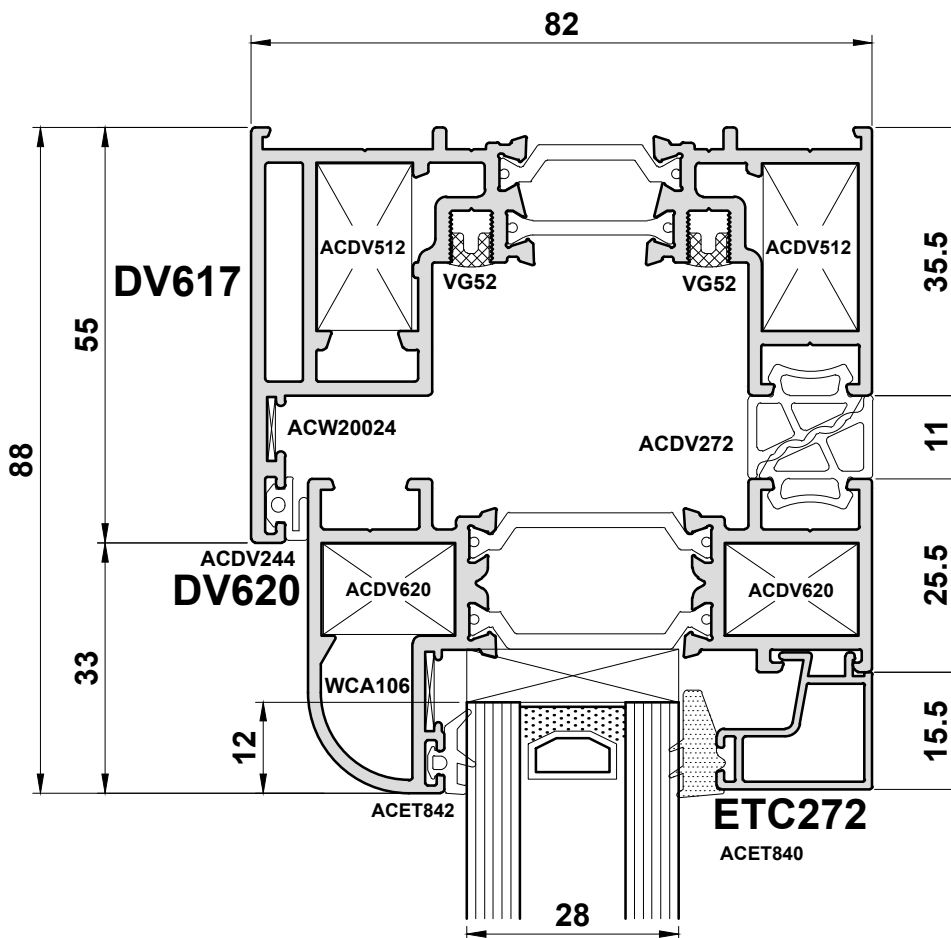
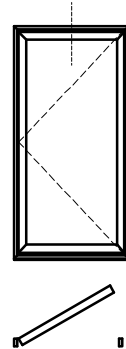
Do Not Scale From This Drawing

Open In - Detail 30



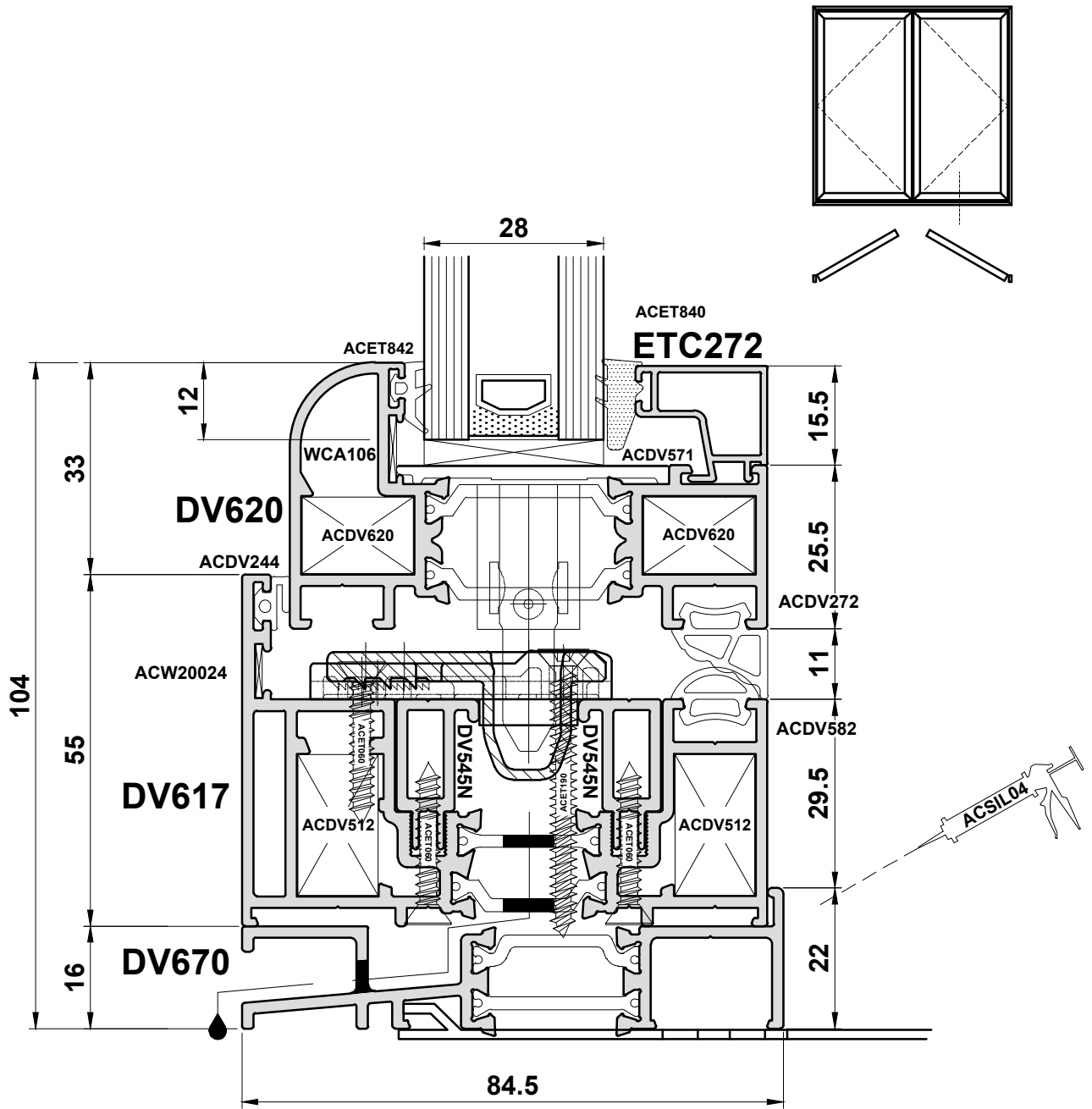
Do Not Scale From This Drawing

Open In - Detail 31



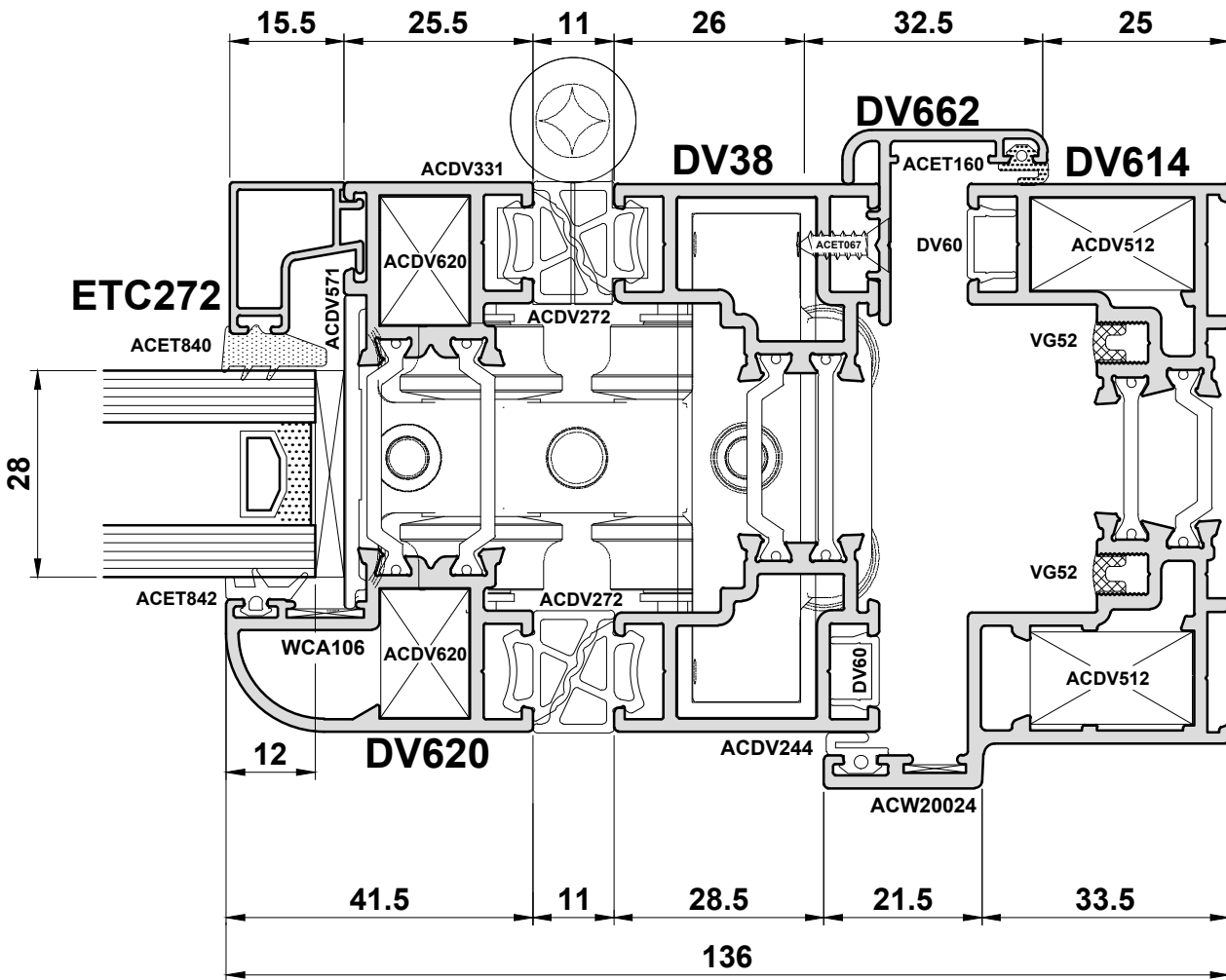
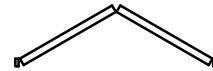
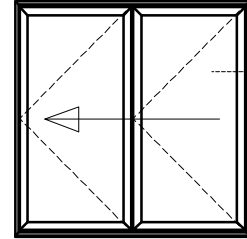
Do Not Scale From This Drawing

Open In - Detail 32



Do Not Scale From This Drawing

Open In - Detail 33



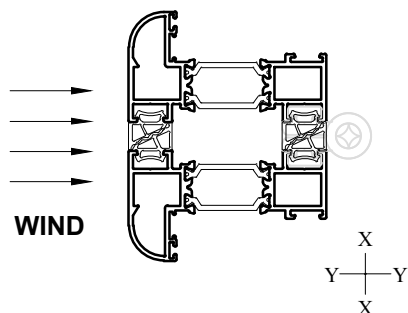
Do Not Scale From This Drawing

Section D

Statics

Section D

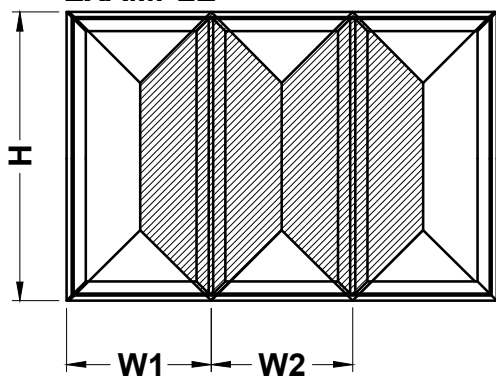
GENERAL INFORMATION - STATICS



The position of the axes is an indication for the use and application of the moments of inertia (I_x and I_y) and the section modulus (W_x and W_y). We always choose the values of the axis perpendicular to the load to resist it.

- To resist the wind loads we use the values I_x and W_x .

EXAMPLE

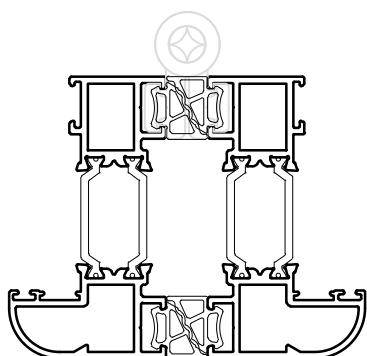


- $H = 220\text{cm}$
- $W1 = 100\text{cm}$
- $W2 = 100\text{cm}$
- $P = 1200\text{ Pa}$ (wind pressure)

- 1) Determine I_{xx} value for the stiles (if required) using the Specification Wizard

$I_{xx} = 47.5\text{ cm}^4$

- 2) Determine suitability



- DV620 $I_{xx} = 61.7\text{cm}^4$
- DV622 $I_{xx} = 63.9\text{cm}^4$
- DV624 $I_{xx} = 61.6\text{cm}^4$

$f_{max} = B/200 < 15\text{mm}$
 max sash weight = 100kg
 max sash width = 1000mm
 max sash height = 2200mm

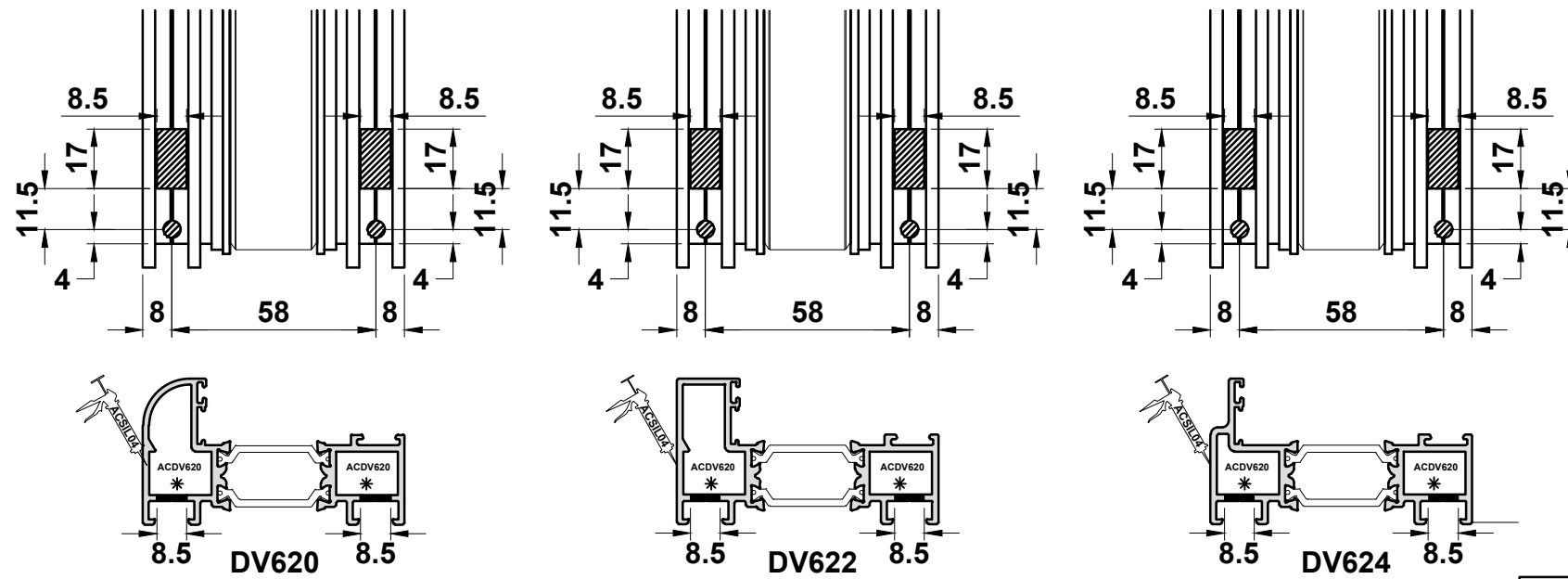
Section E

**Construction Drawings
Open Out**

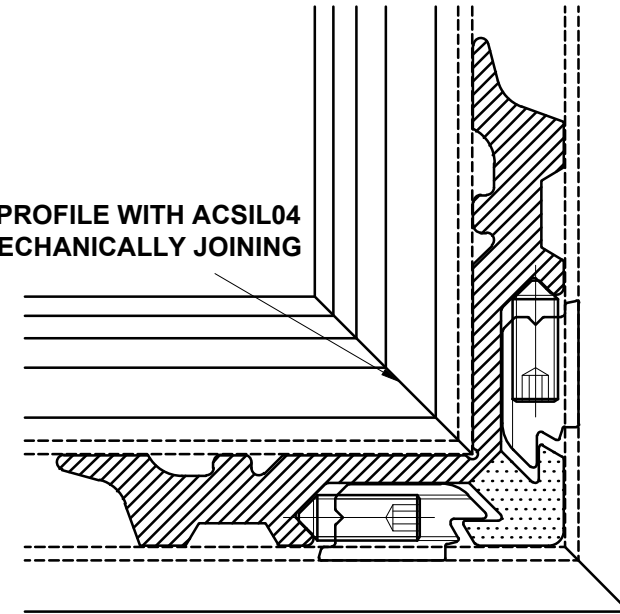
Corner Jointing.....	Page E03
Drainage.....	Page E04 - E05
DV676 Assembly & Drainage.....	Page E06
DV545N & ACDV567 Hinge Installation.....	Page E07
DV545N Double Door Threshold Preparation.....	Page E08
ACDV567 Top Guide Installation.....	Page E09
ACDV566 Bottom Carrier Installation.....	Page E10
Lock and Handle Preparation.....	Page E11 - E18
End Caps for DV622 Rebate Adapter.....	Page E19
DV38 Floating Mullion Preparation with ACDV580.....	Page E20
Adjustable Jamb.....	Page E21
DV634 Midrail.....	Page E22
Glazing.....	Page E23 - E24
Hinge Location Details.....	Page E25
ACDV275 Gasket Method & Kit Contents.....	Page E26
Magnetic Catches.....	Page E27 - E28
ACDV658 90° Door Restrictor.....	Page E29
Removable Corner Assembly Details.....	Page E30 - E32
Outer Frame 90° Corner Assembly Using ACDV682 & ACDV953.....	Page E33
Preparation and Assembly of Fixed Corner Post.....	Page E34

Section E

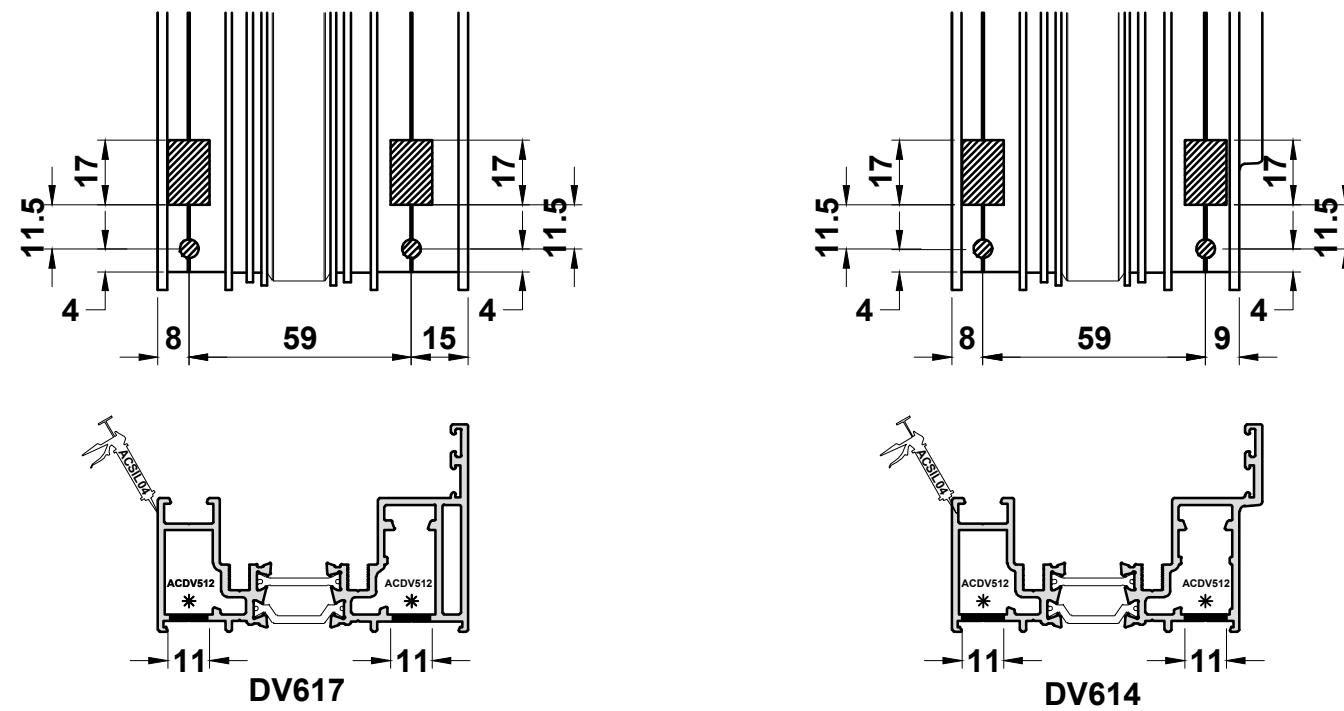
Corner Joint Details



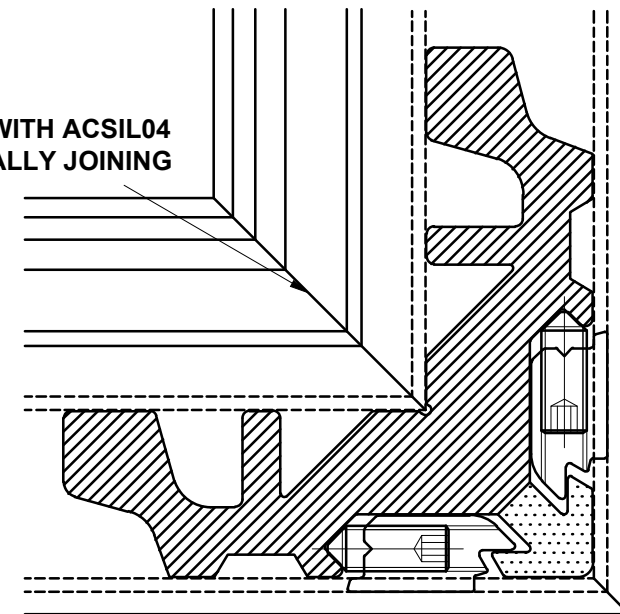
COAT CUT FACE OF PROFILE WITH ACSIL04
PRIOR TO MECHANICALLY JOINING



Note:
ACDV955 PUNCH TOOL MUST BE
USED TO ACHIEVE CLEAT
PREPARATIONS AS SHOWN.



COAT CUT FACE OF PROFILE WITH ACSIL04
PRIOR TO MECHANICALLY JOINING



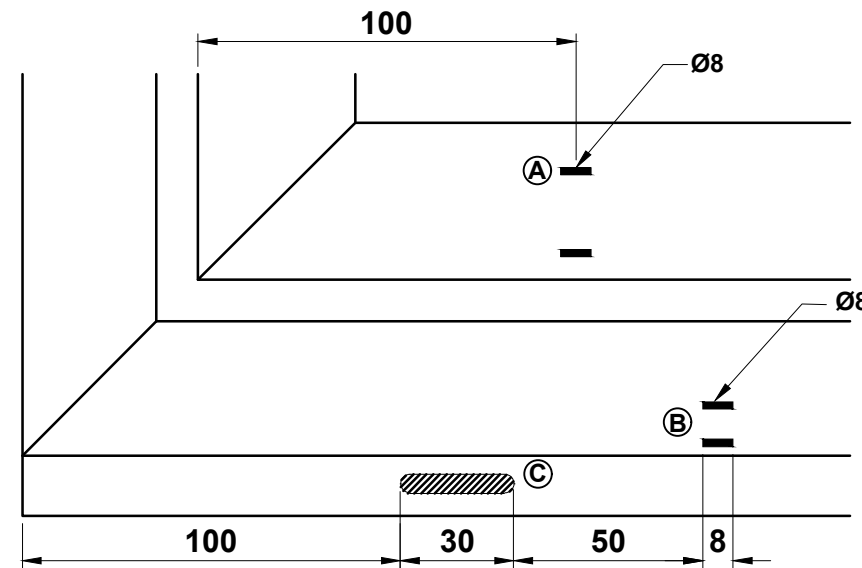
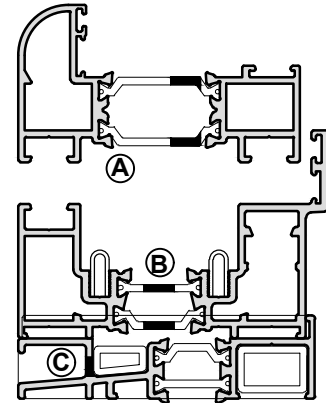
APPLY GLUE (ACSIL013) TO CLEAT APERTURE MARKED *

Do Not Scale From This Drawing

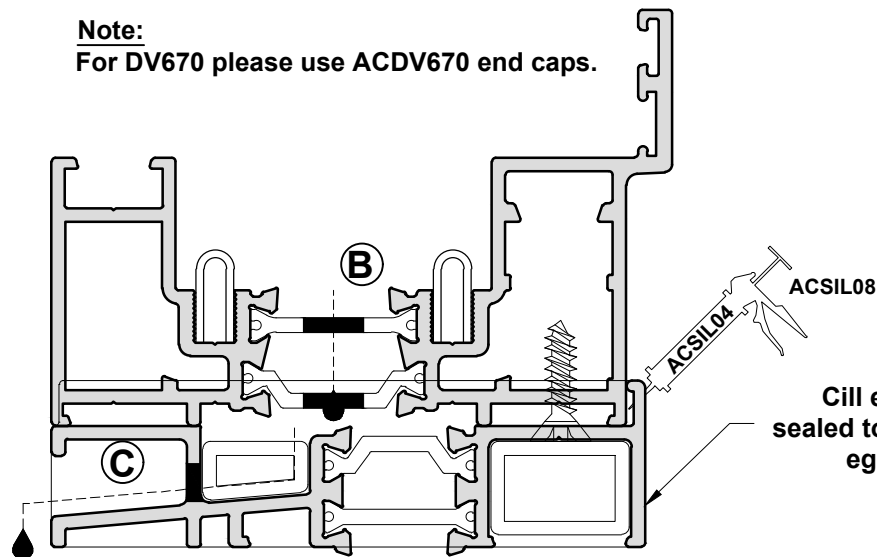
Drainage

Important Note:

The drainage details shown below are a minimum requirement. The quantity of drainage slots shall be increased as required to suit specific site requirements. All visofold 6000 doors must have either a flush cill (DV570/DV670) or extruded sub cill as detailed.

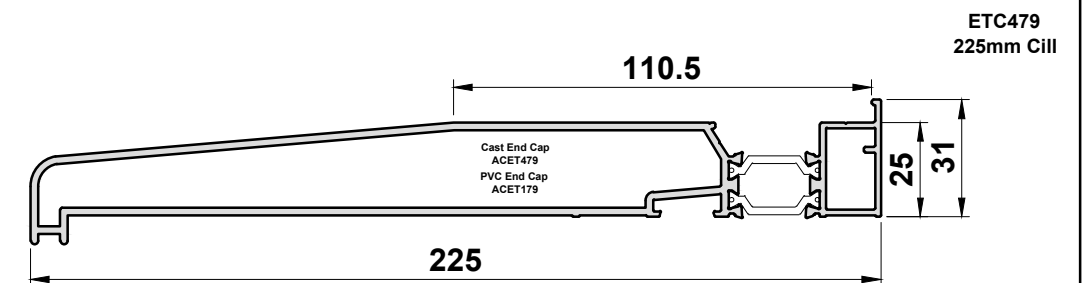
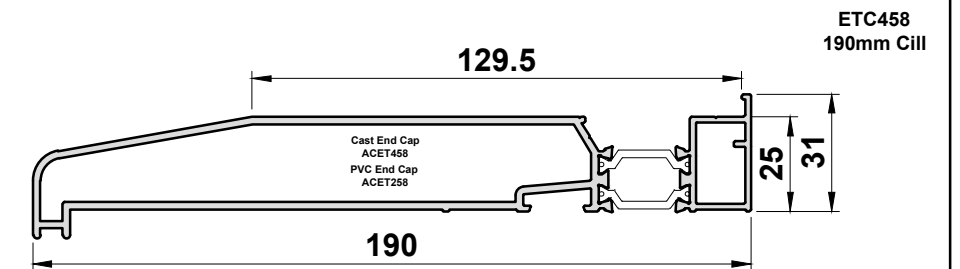
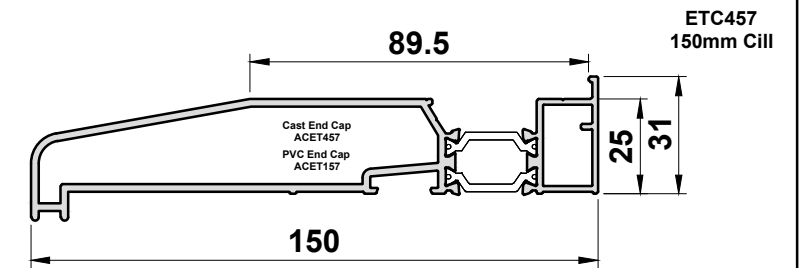
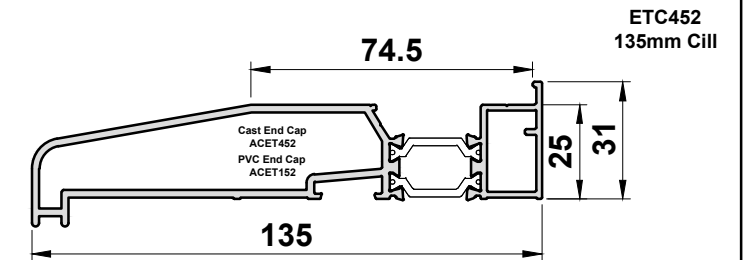
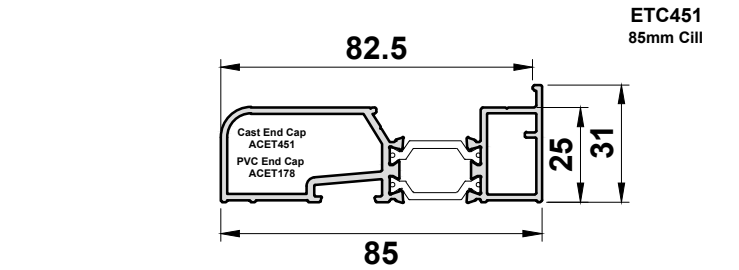
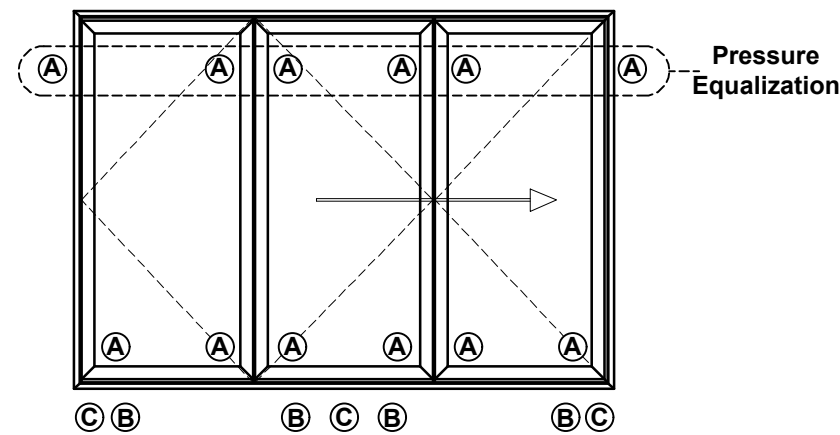


Note:
For DV670 please use ACDV670 end caps.



DV570 Shown with ACDV570 end cap

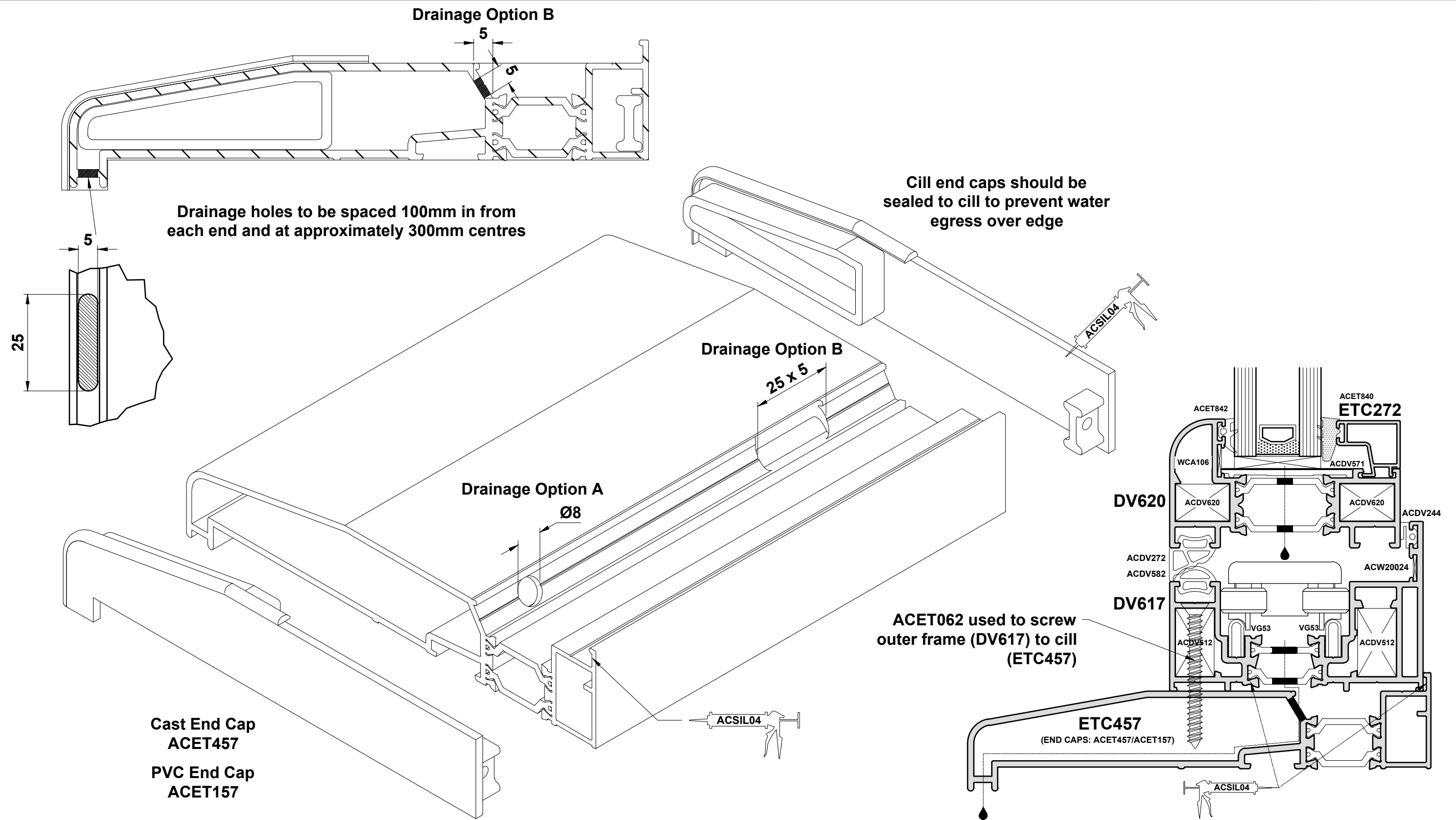
Cill end caps must be sealed to cill to prevent water egress over edge.



Please see Page E05 for cill drainage details.

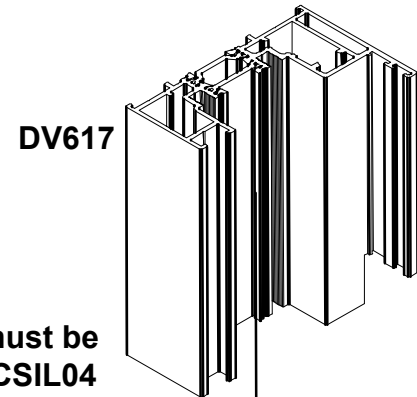
Do Not Scale From This Drawing

Drainage

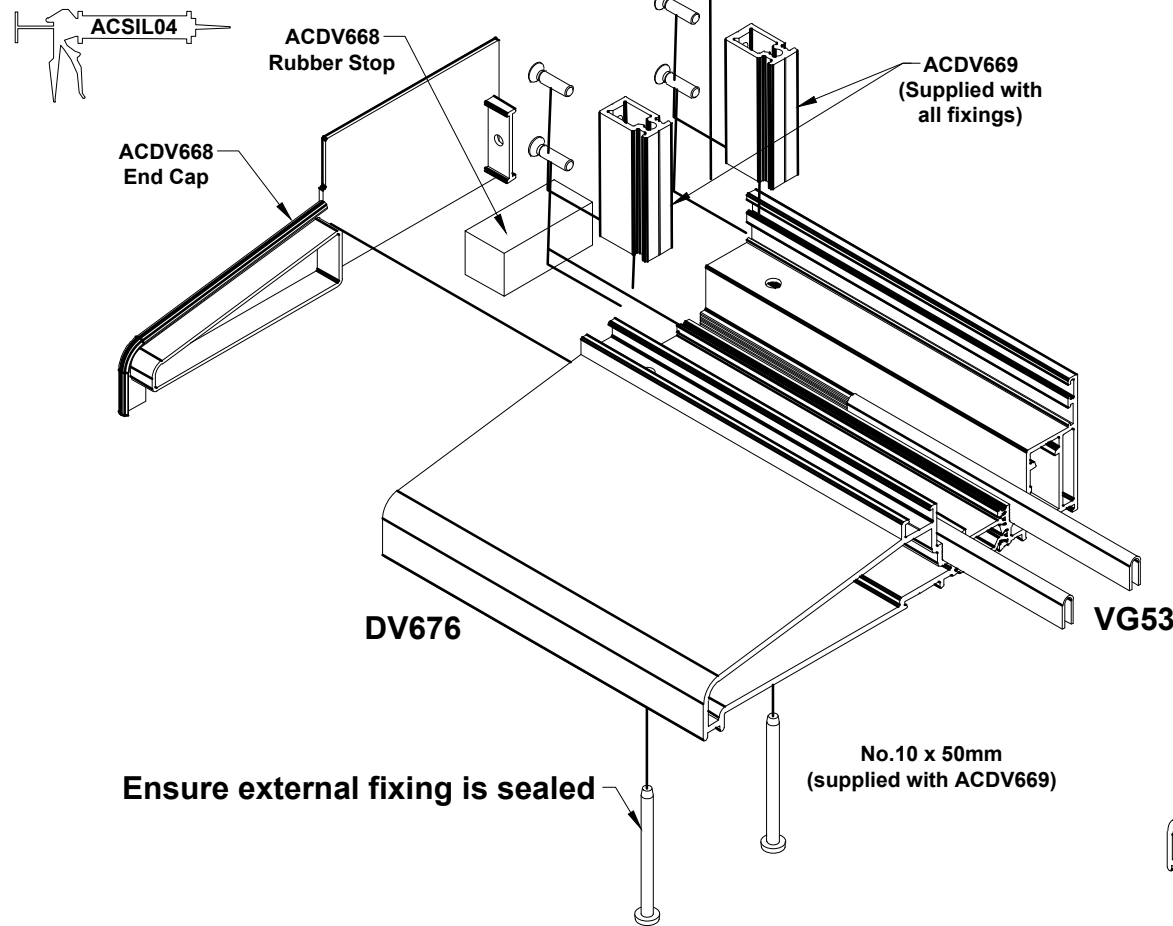


Do Not Scale From This Drawing

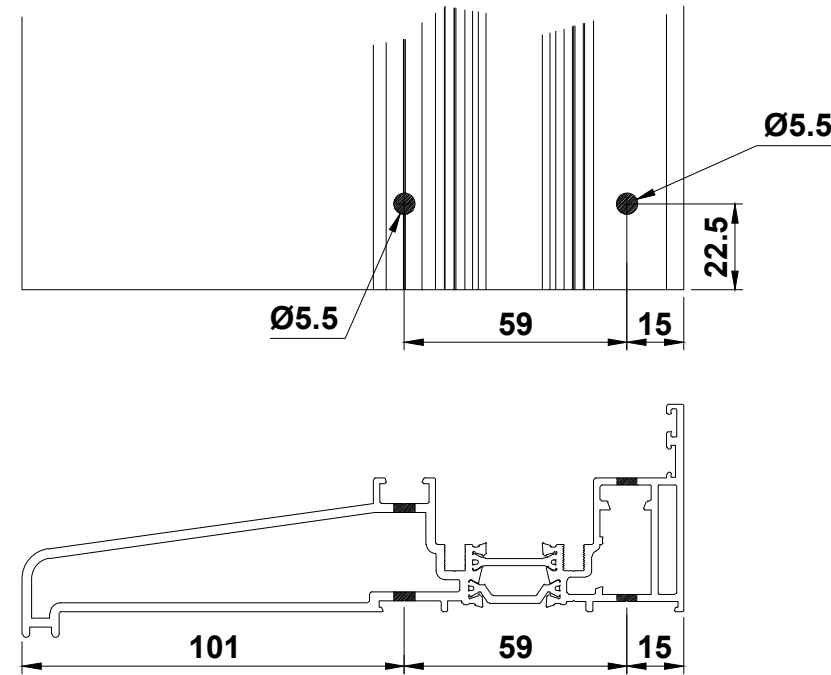
DV676 Assembly & Drainage



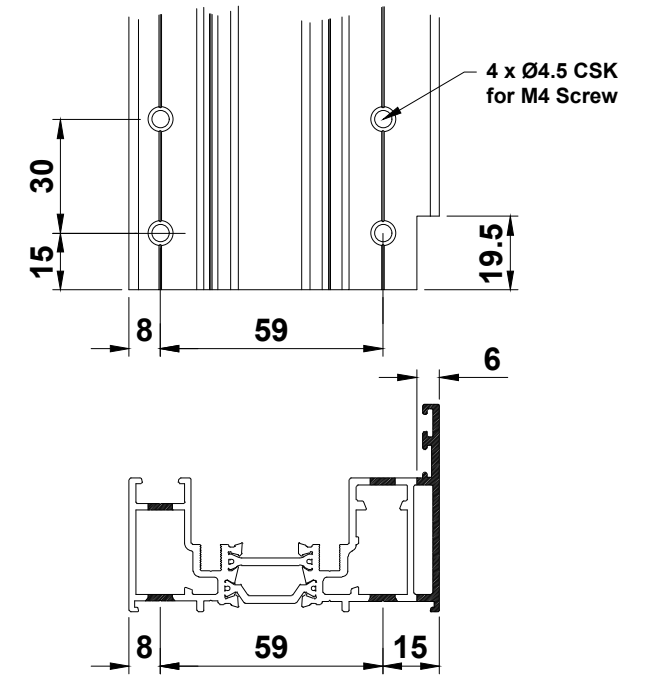
Important Note:
ACDV668 End cap & rubber bung must be fully sealed against DV676 using ACSIL04



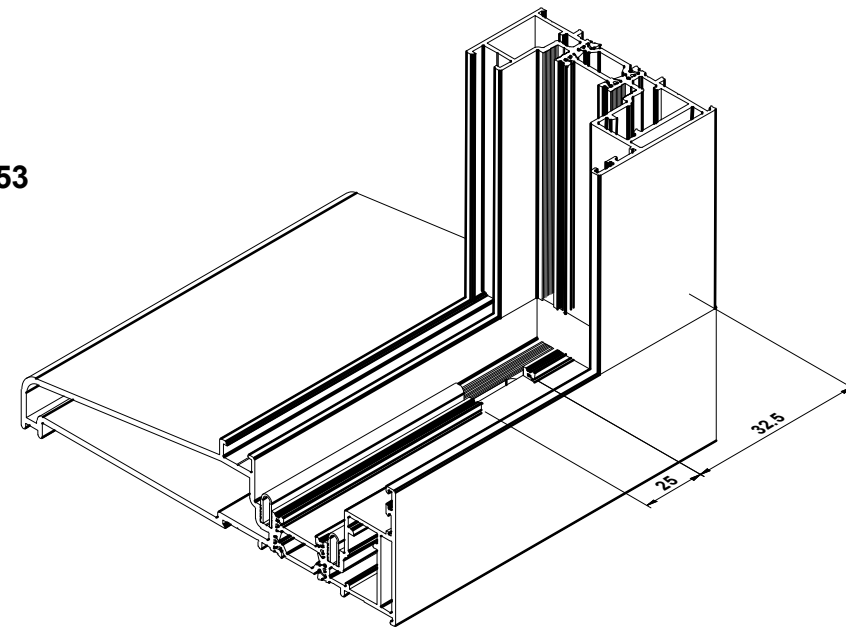
DV676



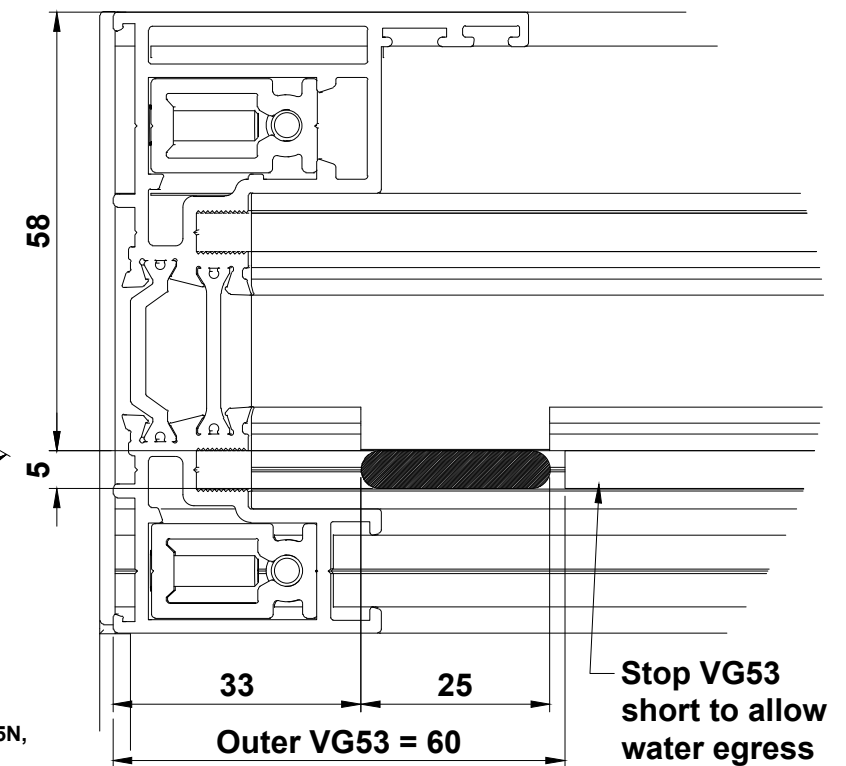
DV617



DV676 Drainage Detail

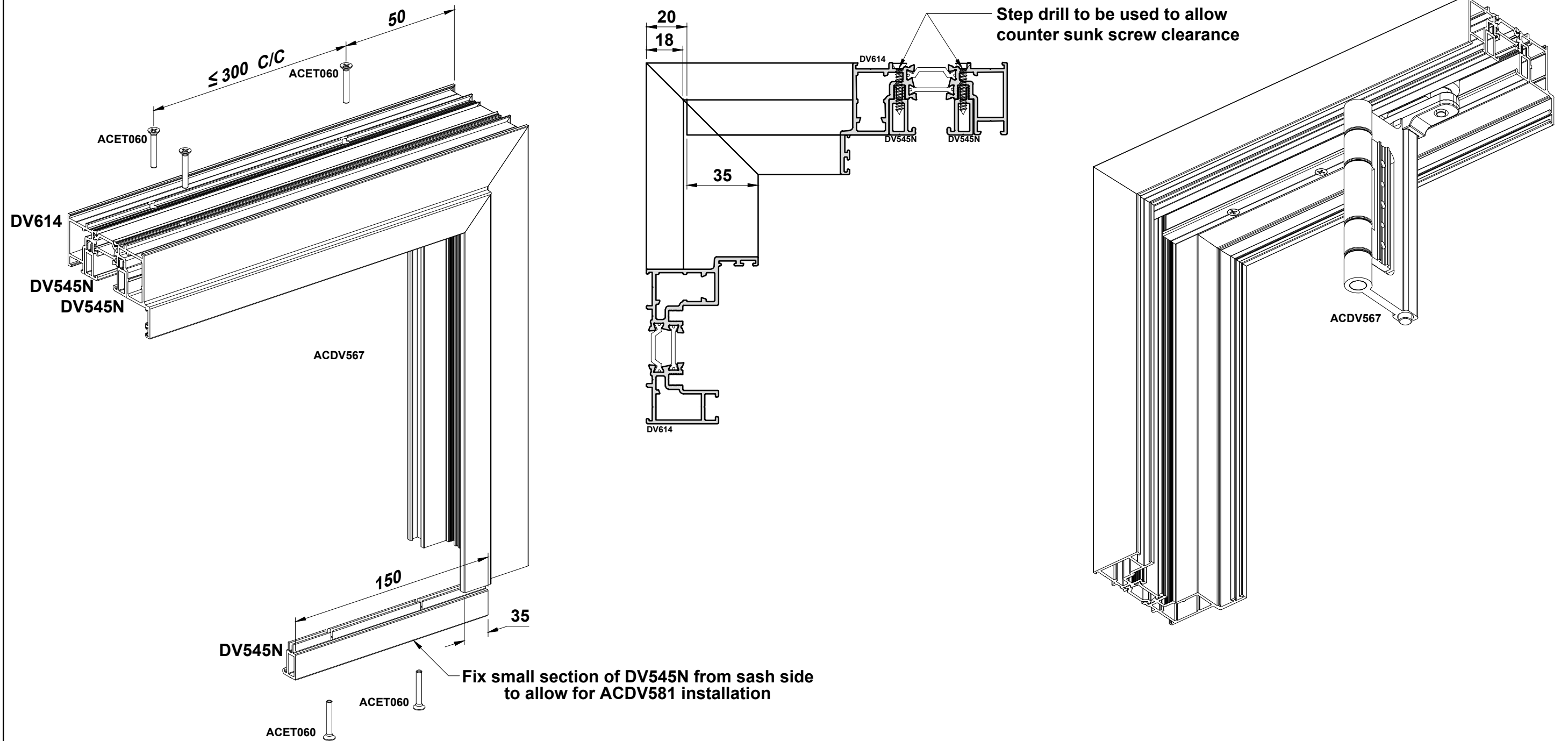


Important Note:
DV676 can only be drained where VG53 may be cut short, or replaced with DV545N, such as under traffic doors.



Do Not Scale From This Drawing

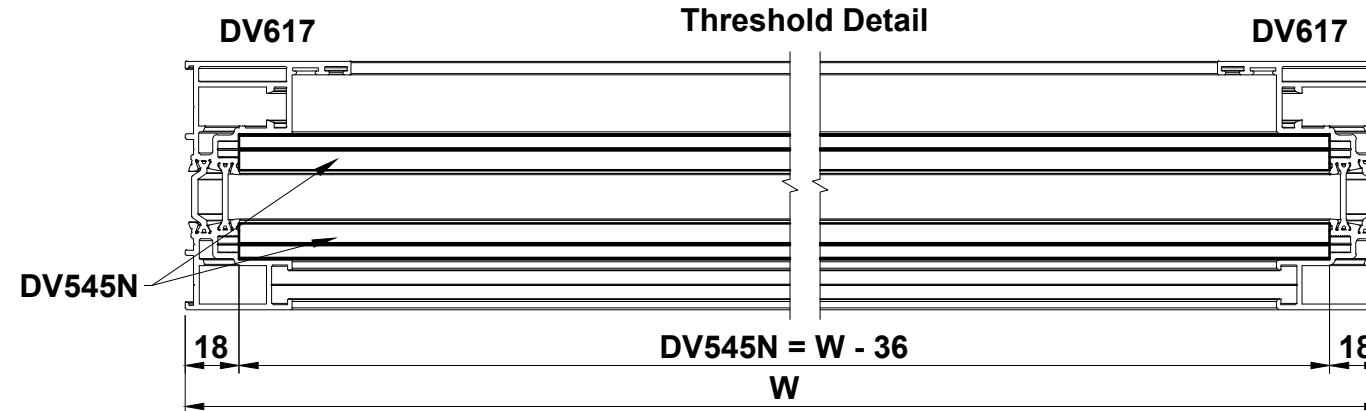
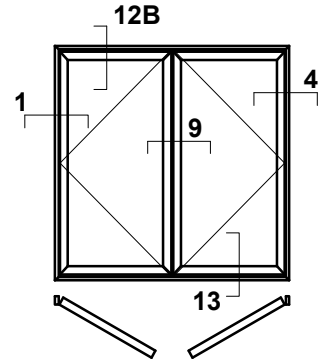
DV545N & ACDV567 Hinge Installation



Do Not Scale From This Drawing

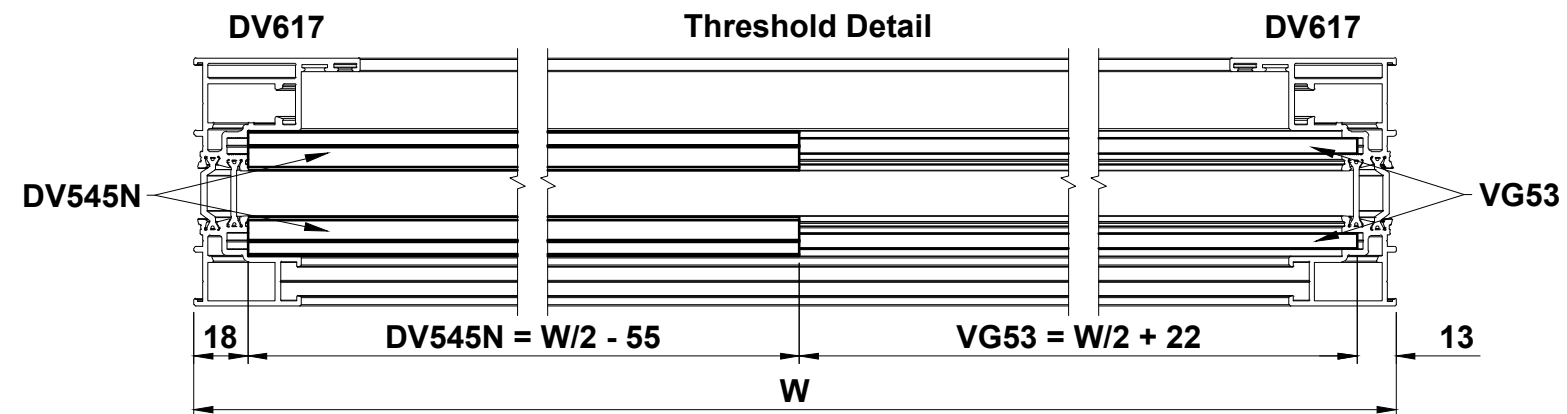
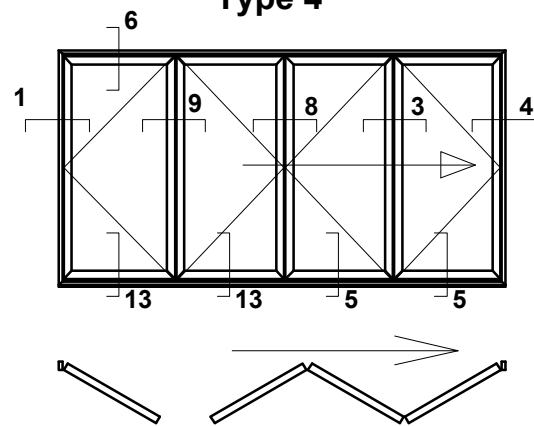
DV545N Double Door Threshold Preparation

Double Swing Door

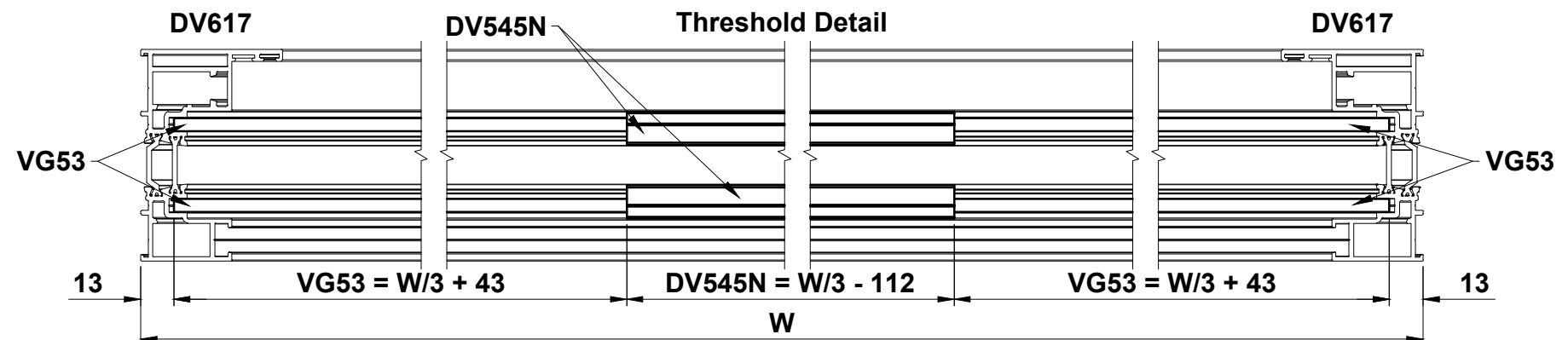
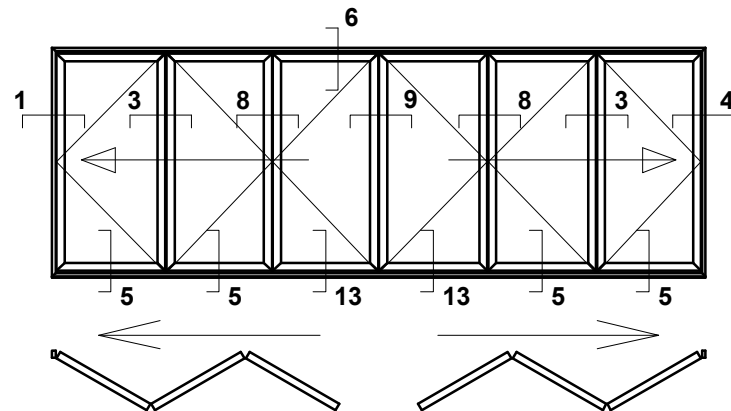


Note:
DV545N is required at the bottom of double doors to secure the keep.
All dimensions on this page are shown based on all sashes being equal width.

Type 4



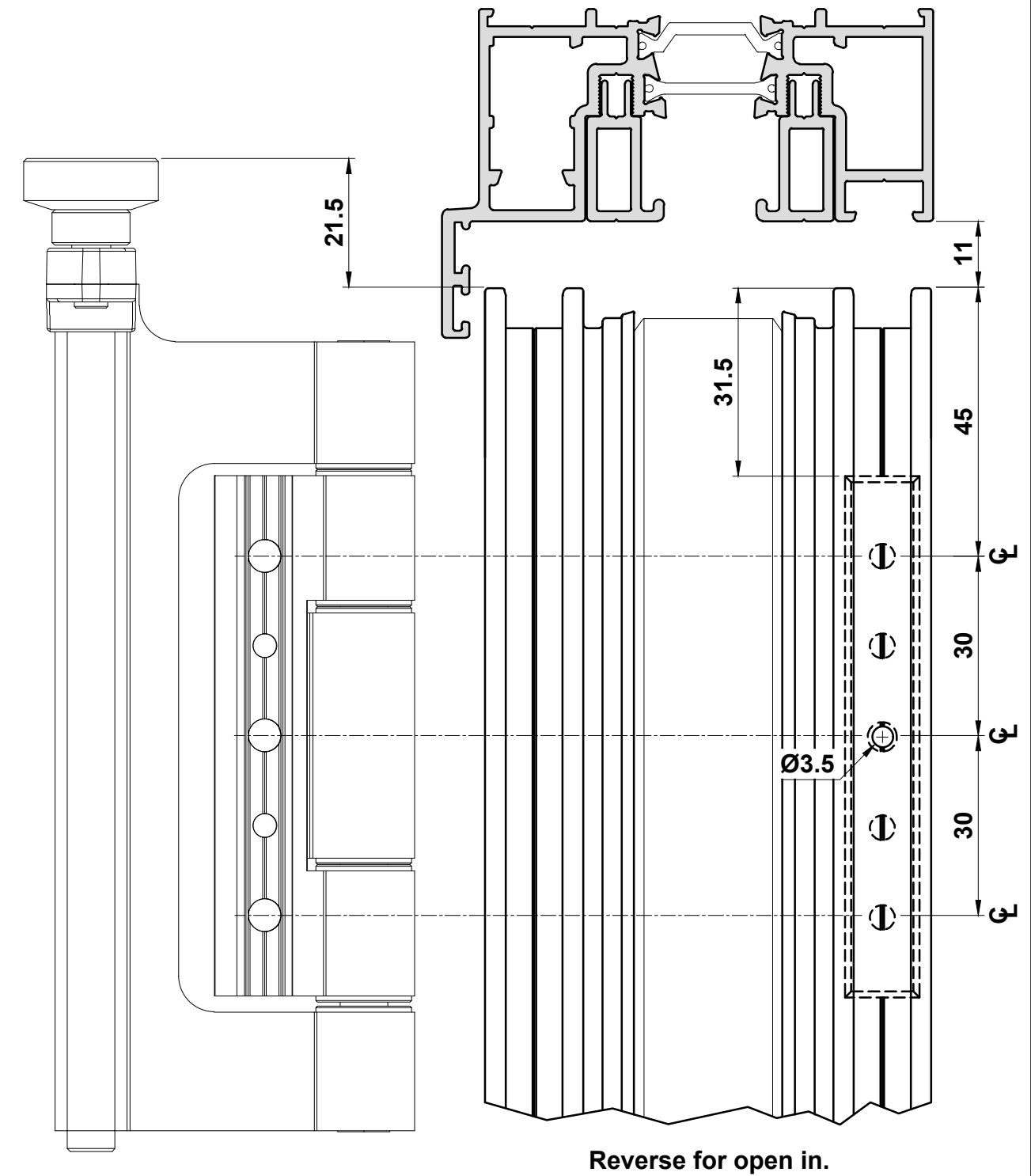
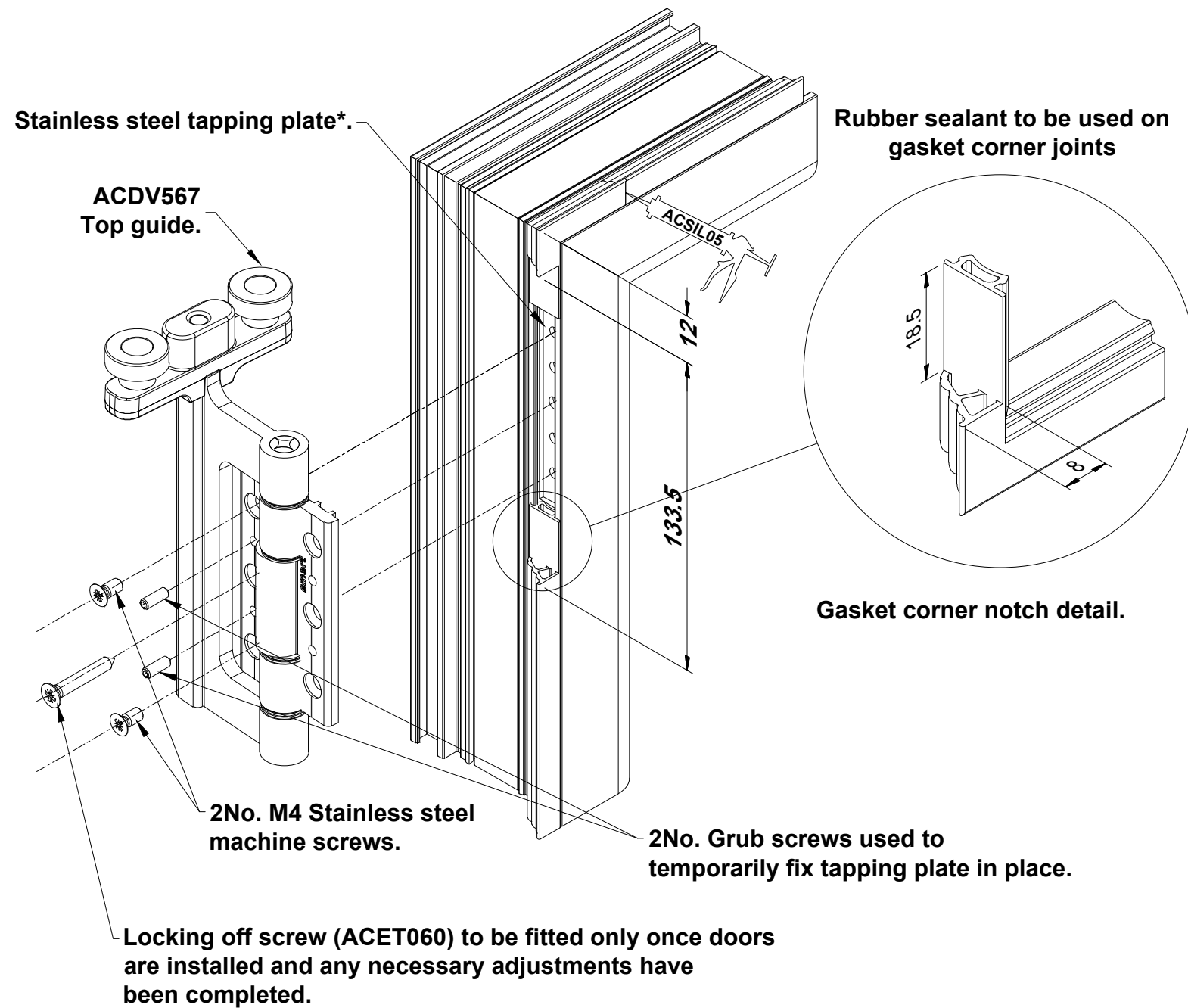
Type 7



Do Not Scale From This Drawing

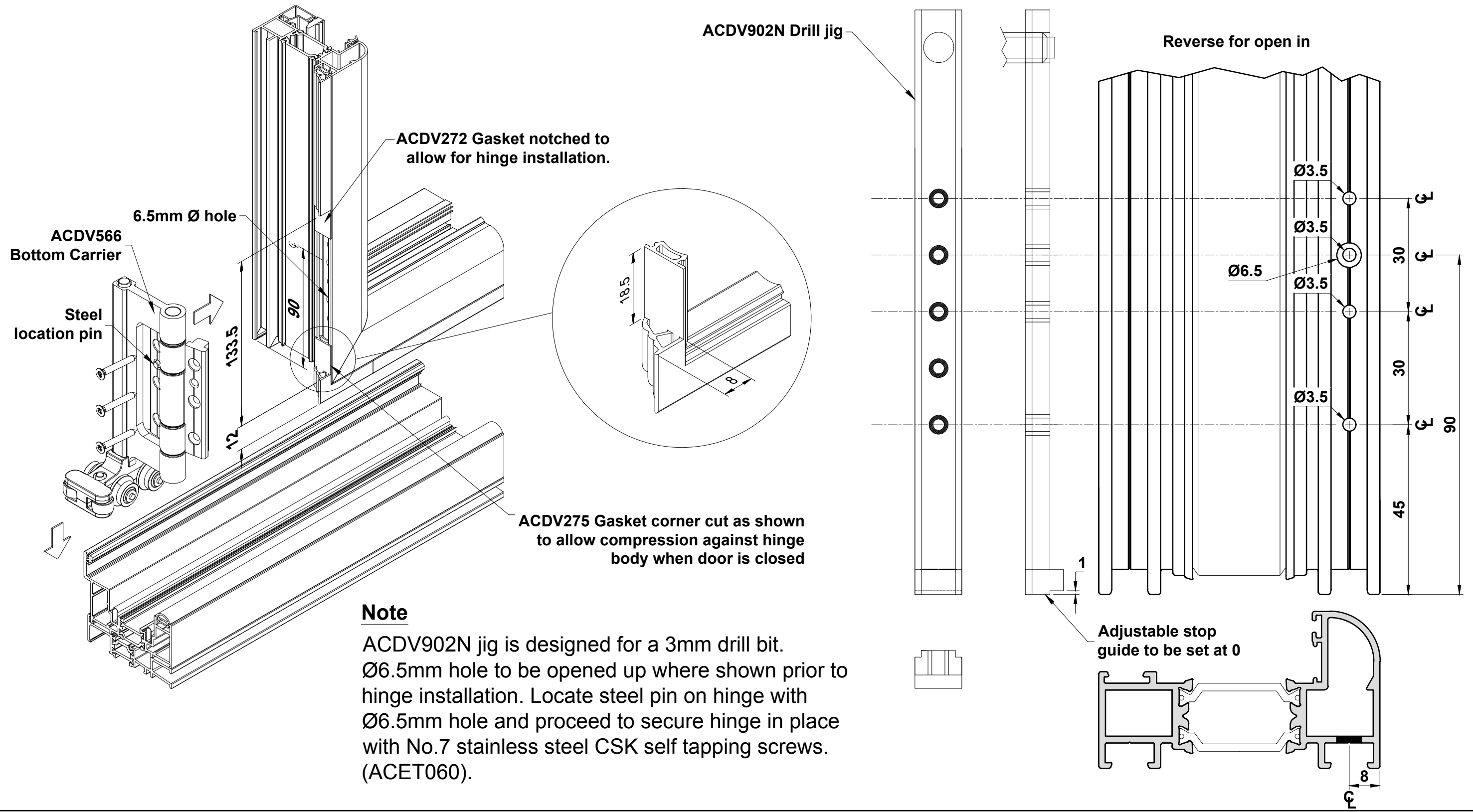
ACDV567 Top Guide

* Tapping plates **MUST** be inserted prior to frame assembly.

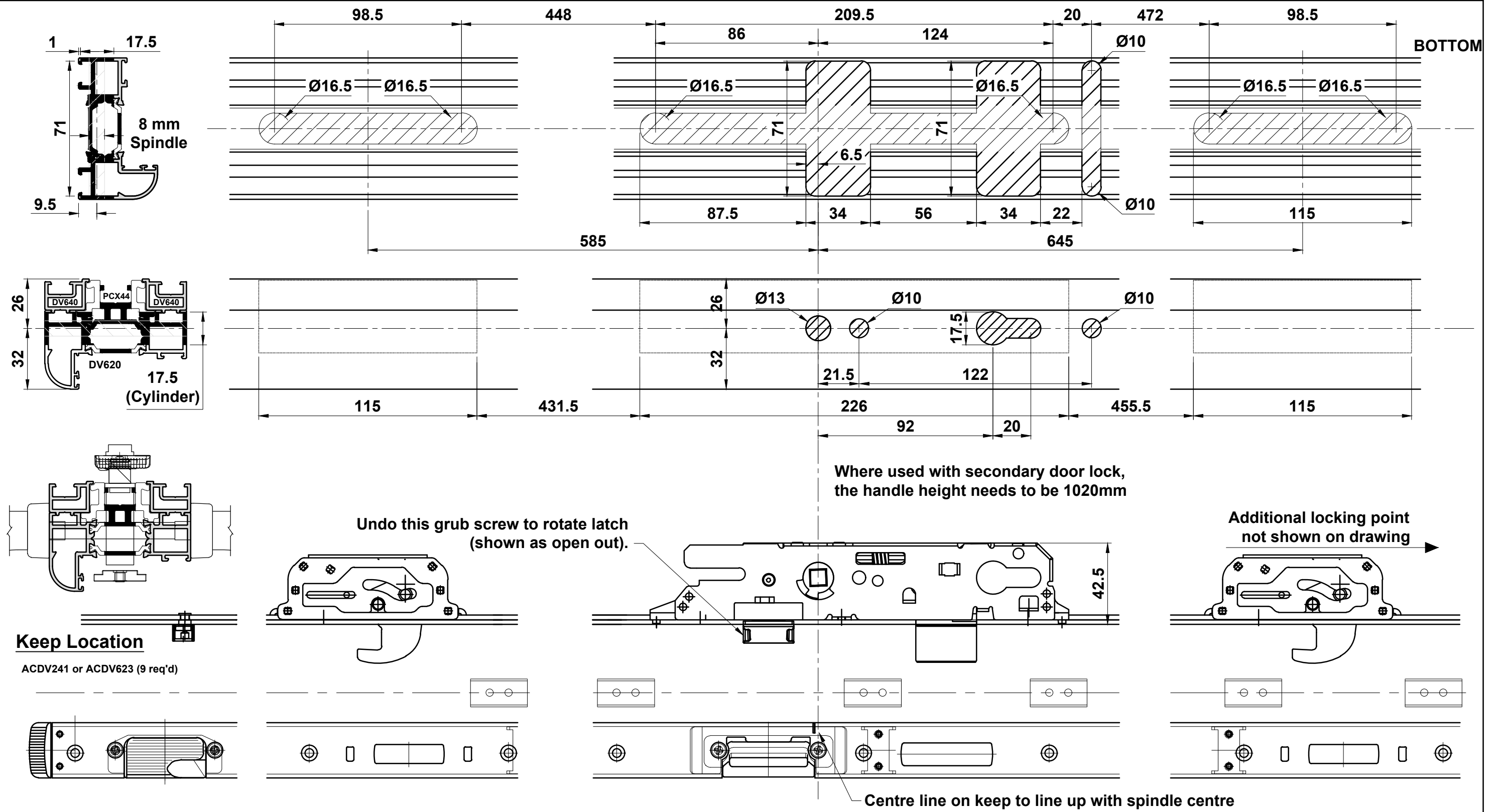


Do Not Scale From This Drawing

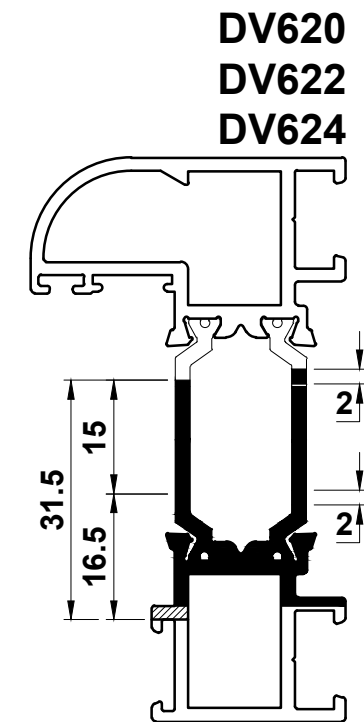
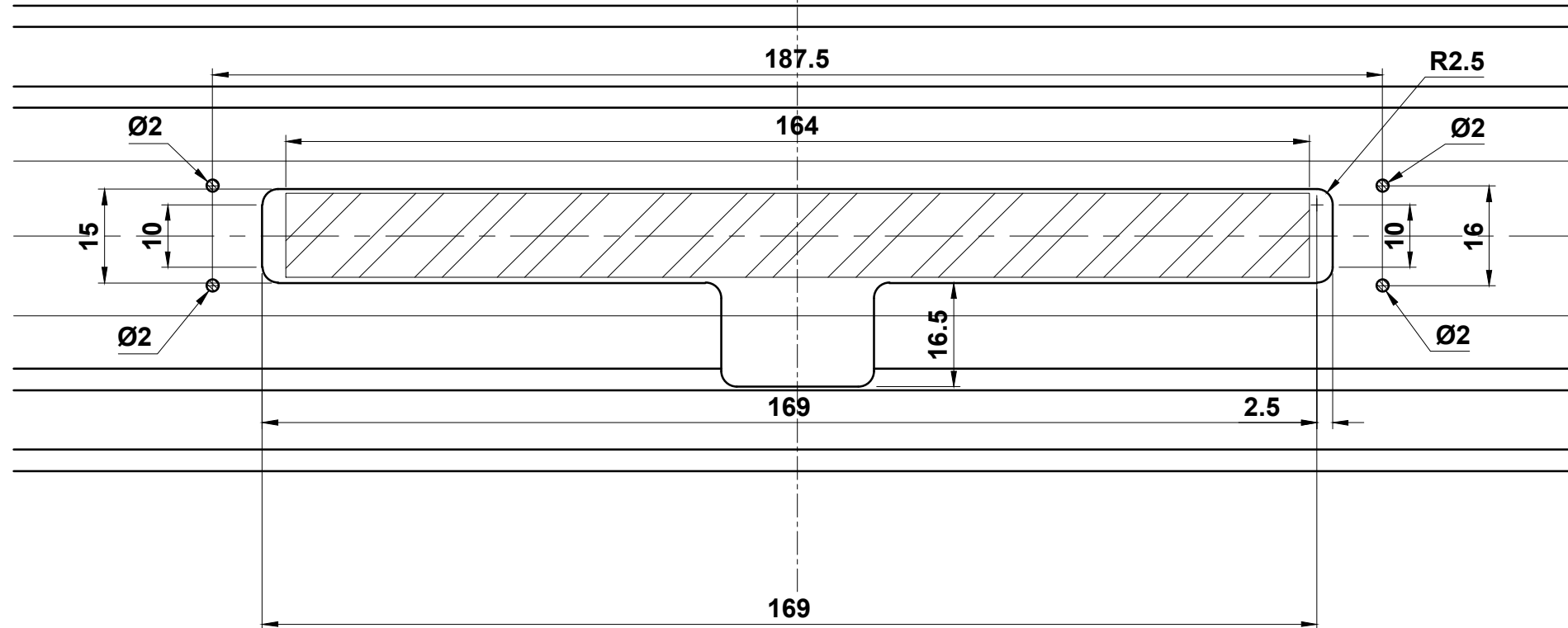
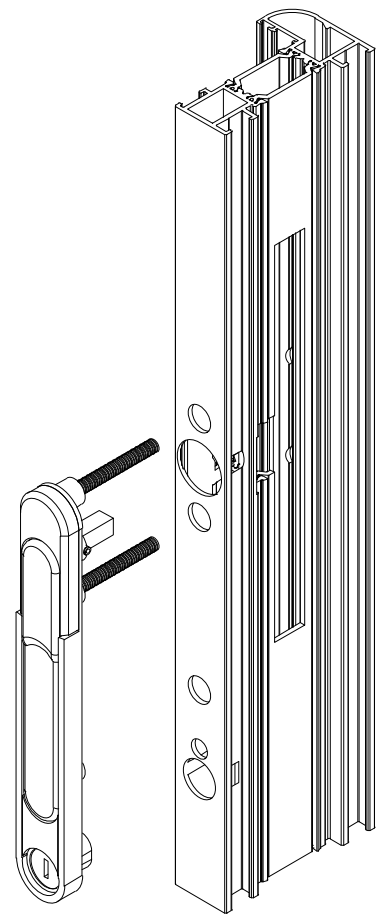
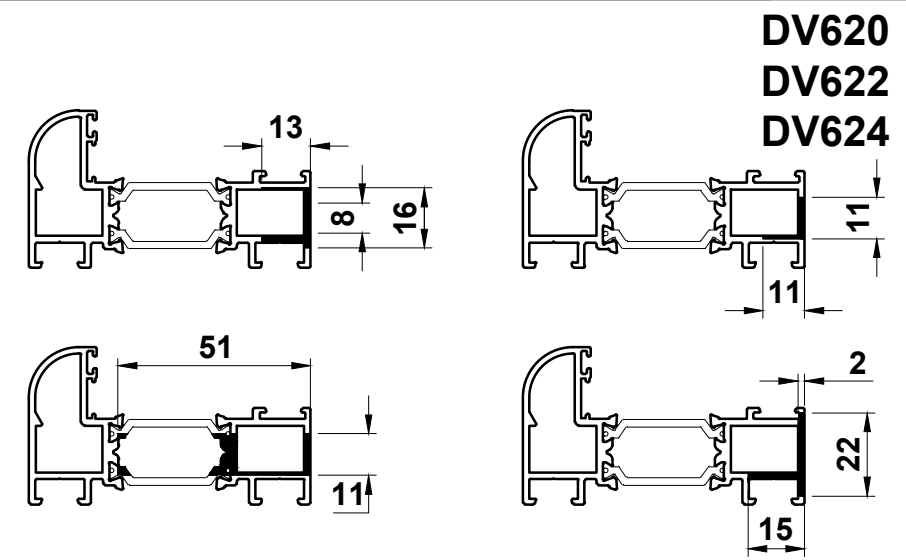
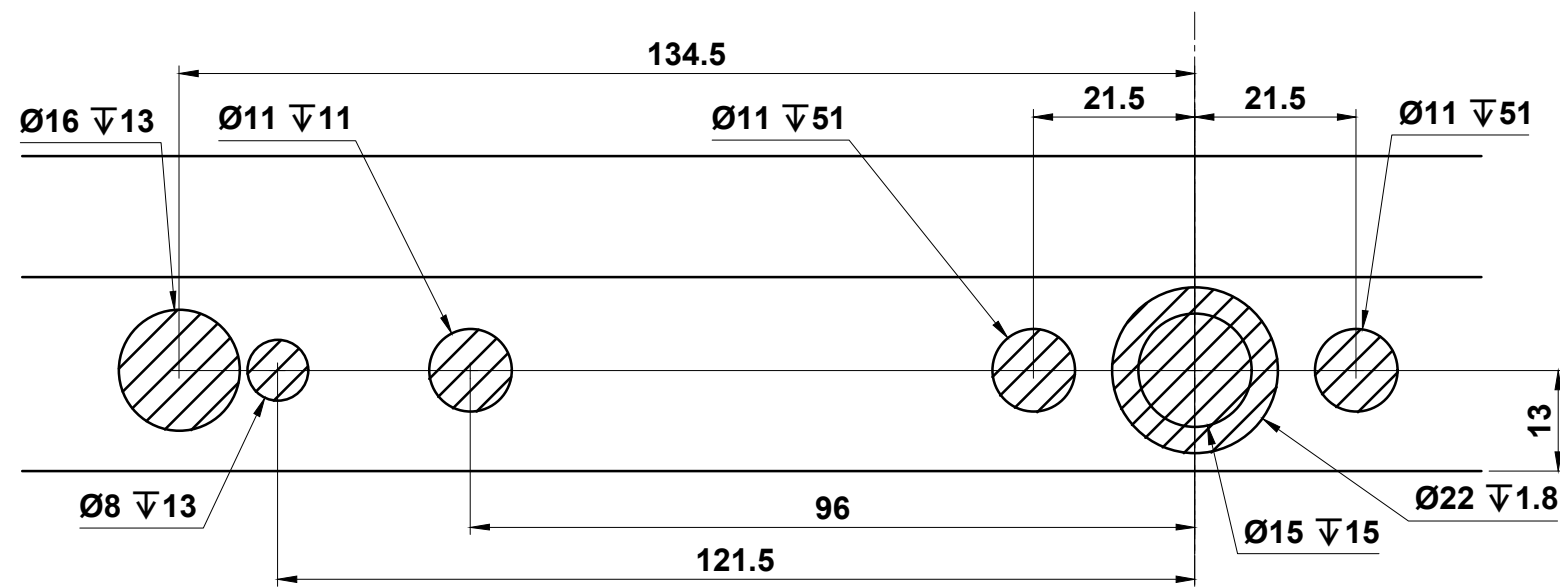
ACDV566 Bottom Carrier



ACDV576 & ACDV577 Preparation with ACDV251 & ACET486 Handle



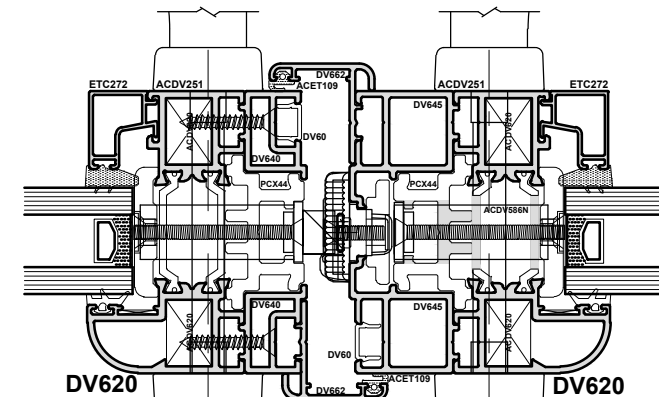
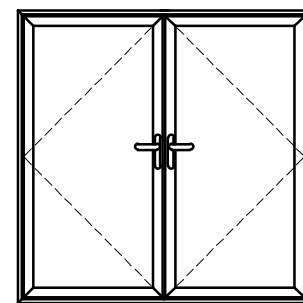
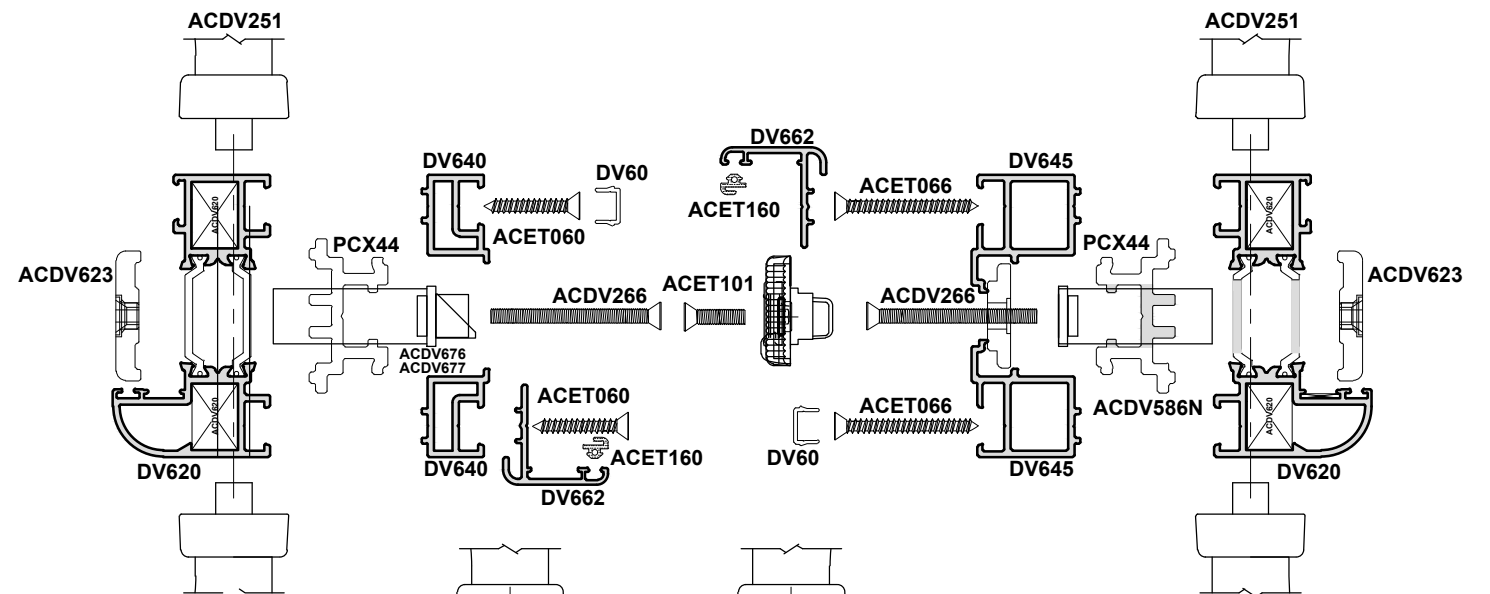
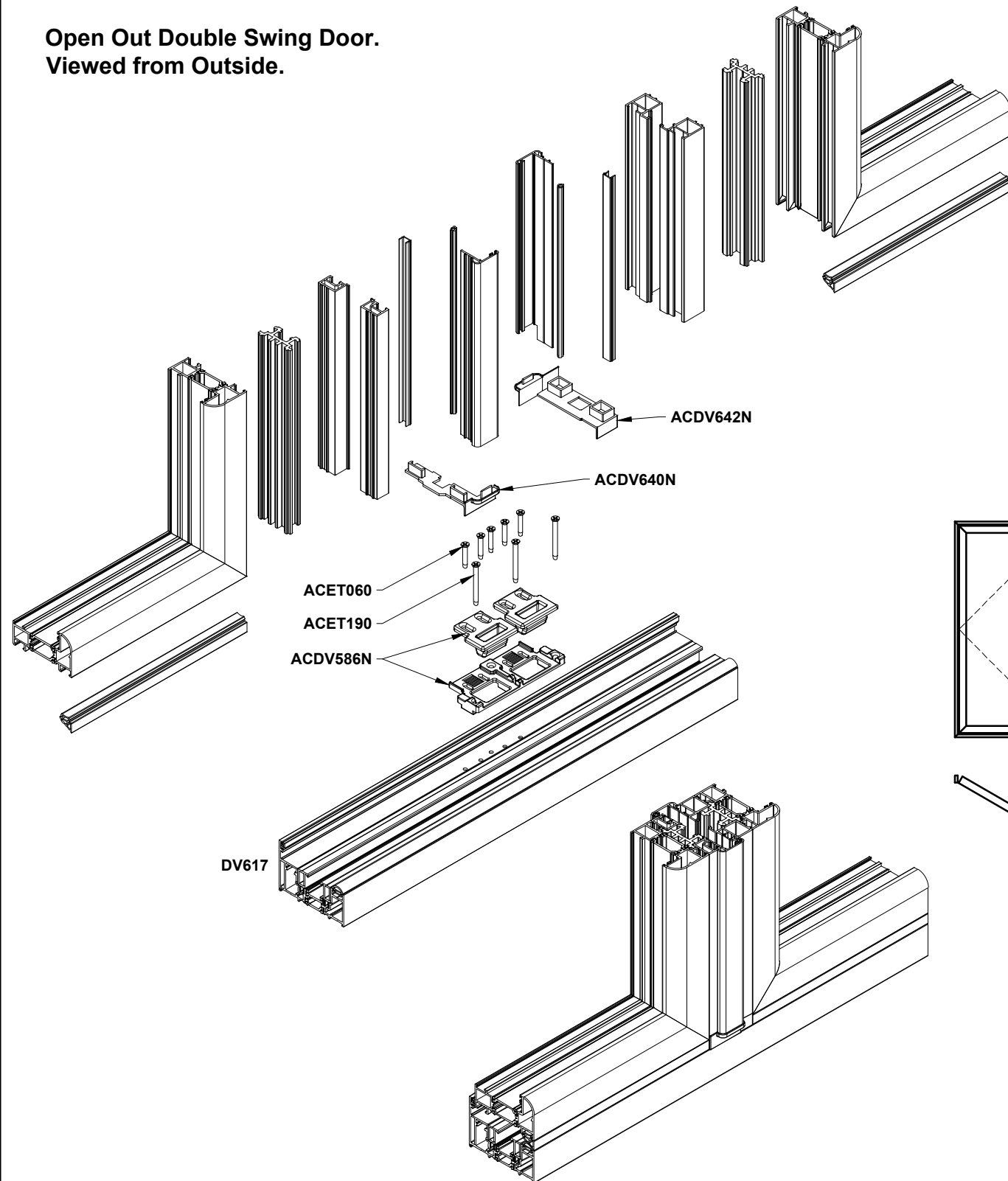
ACDV624 & ACDV625 Prep in DV620, DV622 & DV624



Do Not Scale From This Drawing

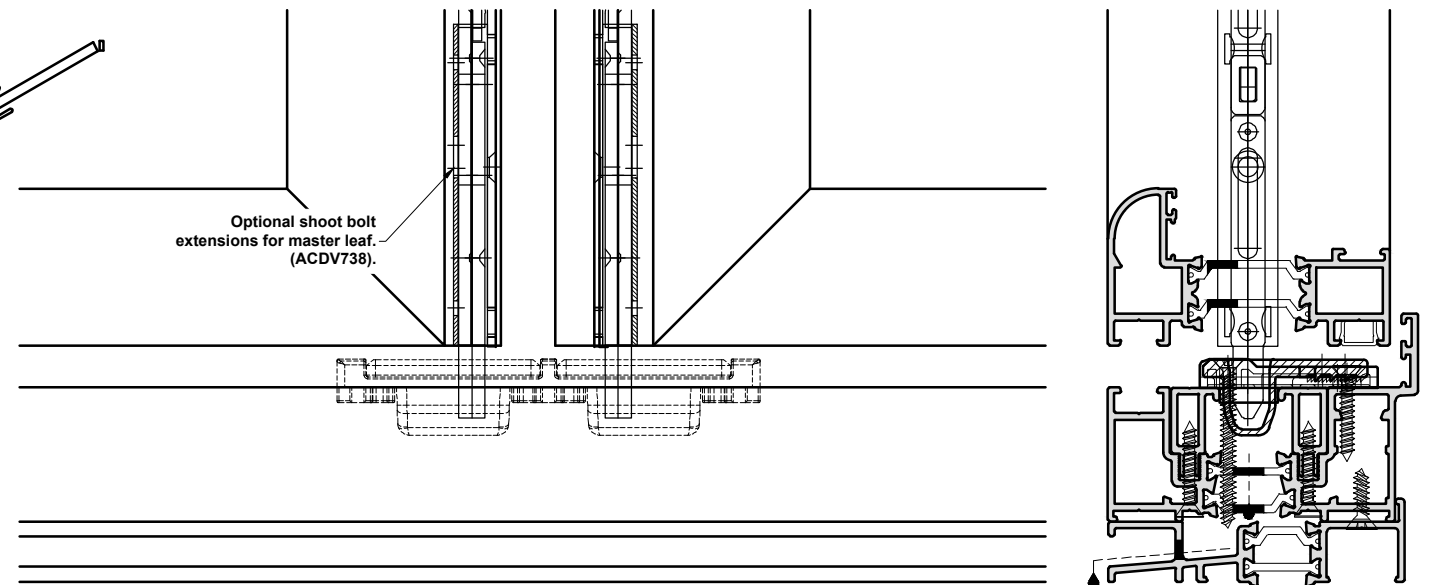
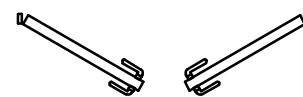
Double Door Overview

Open Out Double Swing Door.
Viewed from Outside.



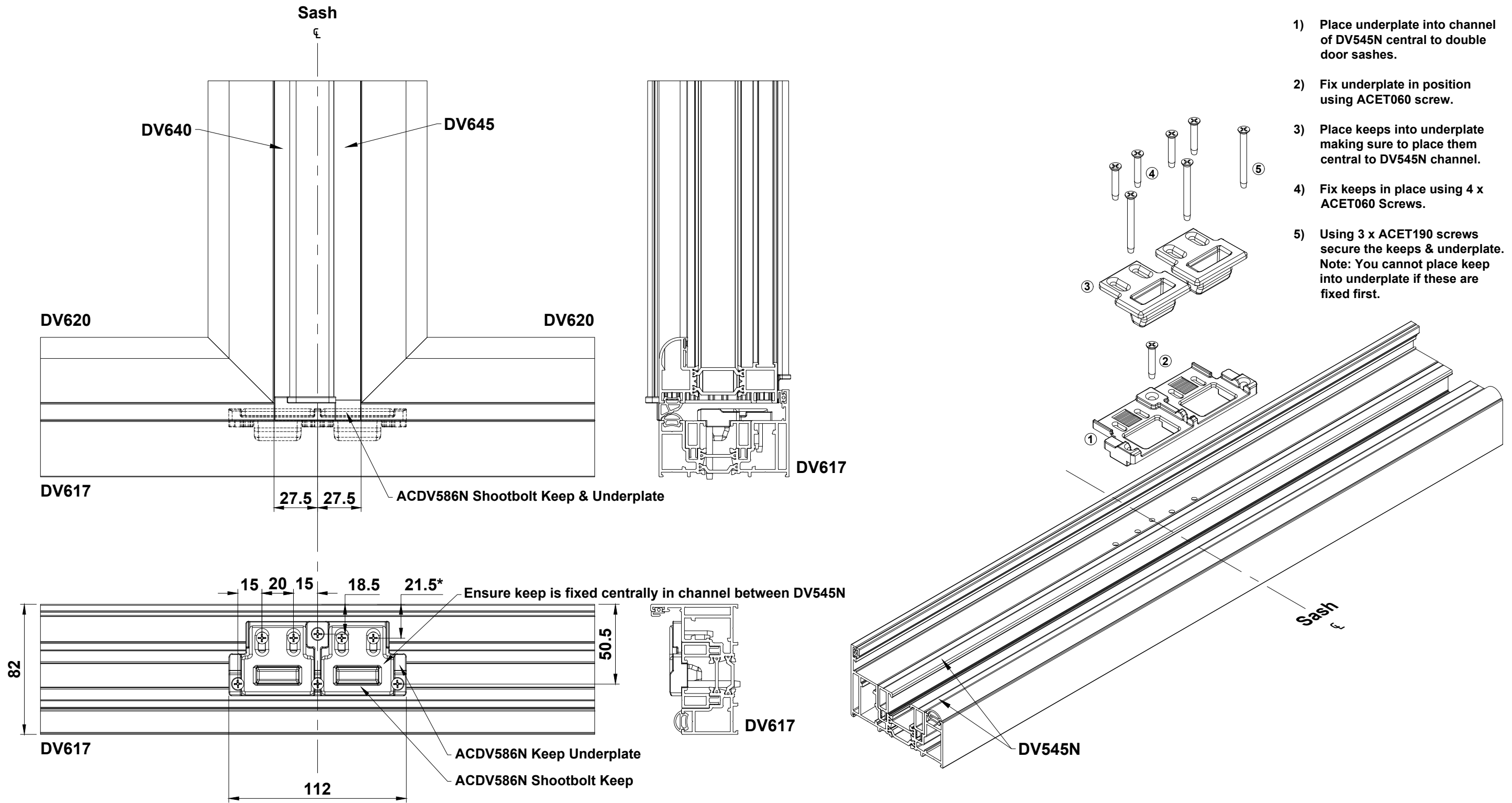
Primary leaf

Secondary leaf.



Do Not Scale From This Drawing

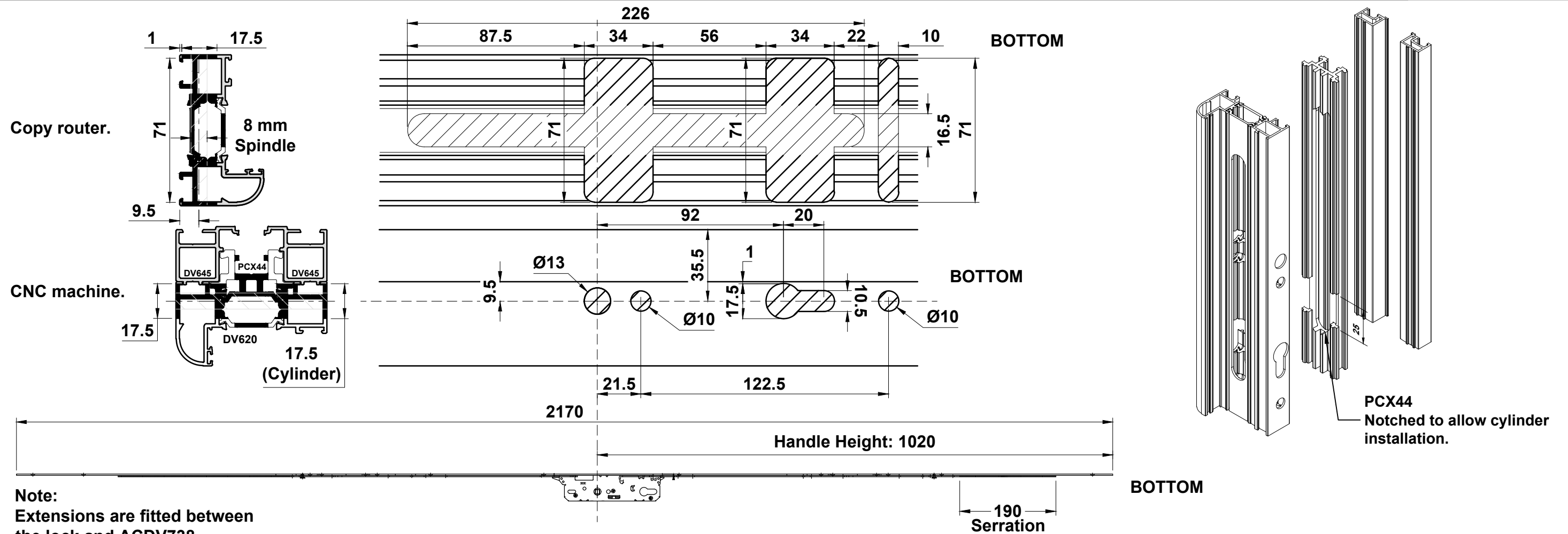
ACDV586N Shoot bolt keep location and assembly.



- 1) Place underplate into channel of DV545N central to double door sashes.
- 2) Fix underplate in position using ACET060 screw.
- 3) Place keeps into underplate making sure to place them central to DV545N channel.
- 4) Fix keeps in place using 4 x ACET060 Screws.
- 5) Using 3 x ACET190 screws secure the keeps & underplate.
Note: You cannot place keep into underplate if these are fixed first.

Do Not Scale From This Drawing

ACDV586N Secondary Door Lock



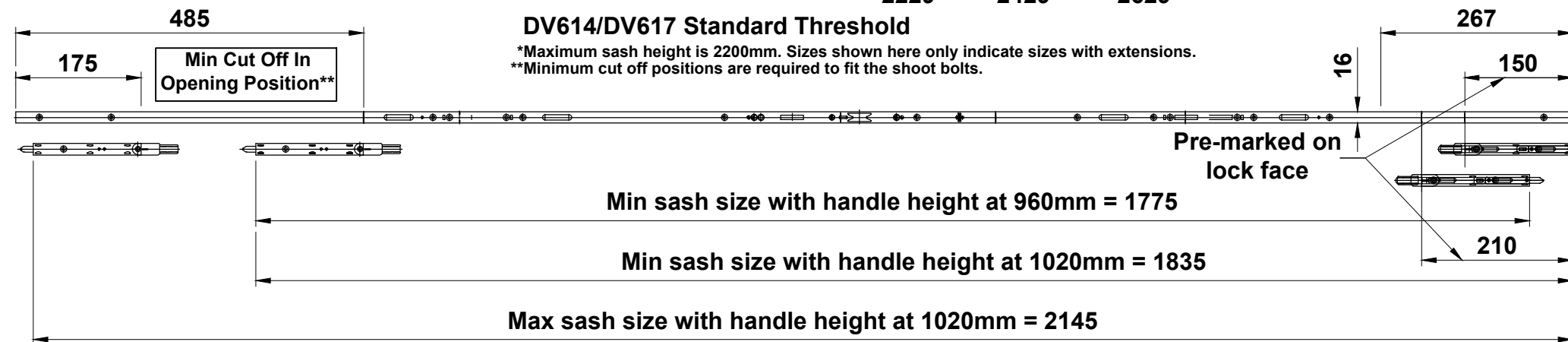
Note:
Extensions are fitted between the lock and ACDV738 shoot bolt.

Maximum overall door height (mm) including outer frame:

Without Extension	ACDV742 200mm Extension	ACDV744 400mm Extension
2229	2429*	2629*

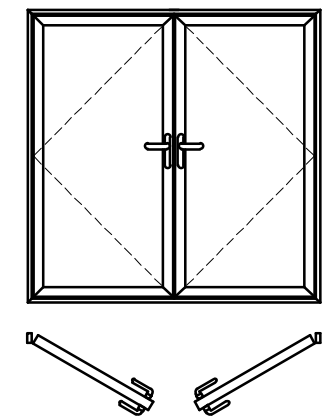
DV614/DV617 Standard Threshold

*Maximum sash height is 2200mm. Sizes shown here only indicate sizes with extensions.
**Minimum cut off positions are required to fit the shoot bolts.



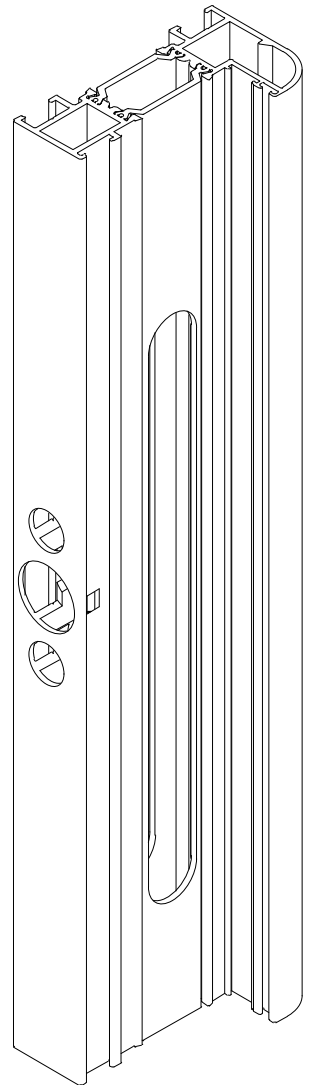
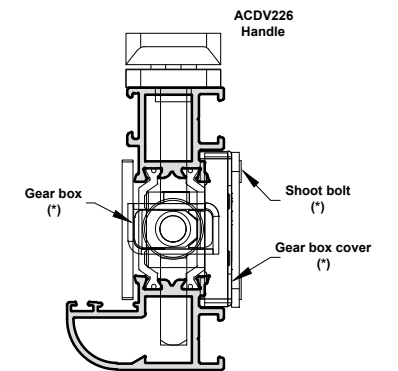
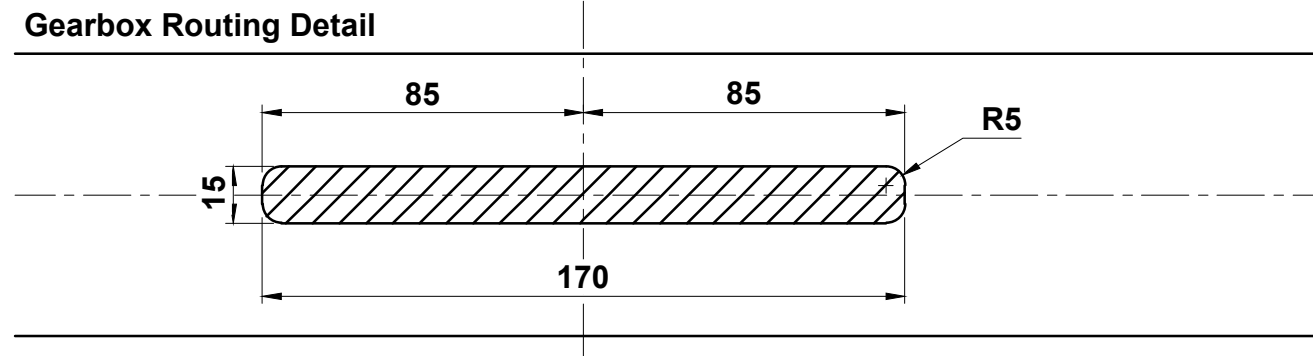
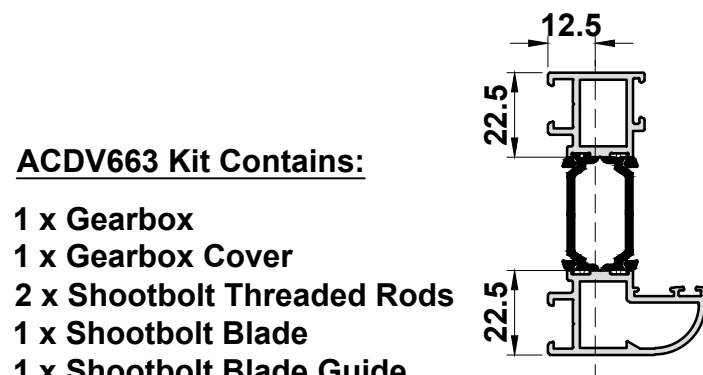
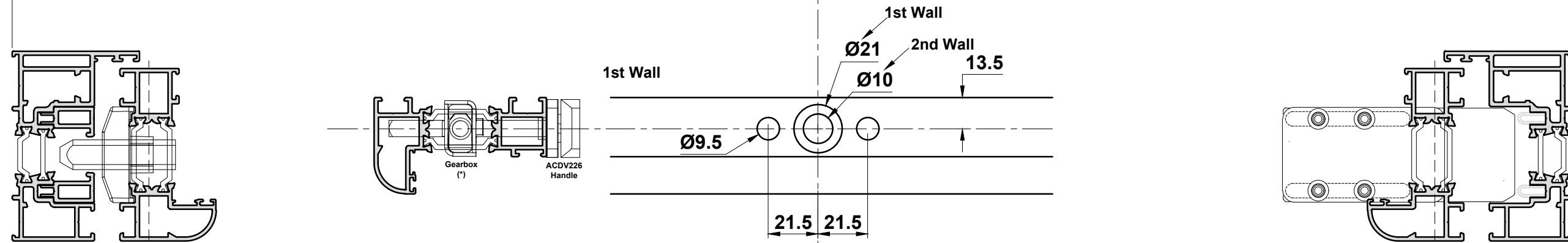
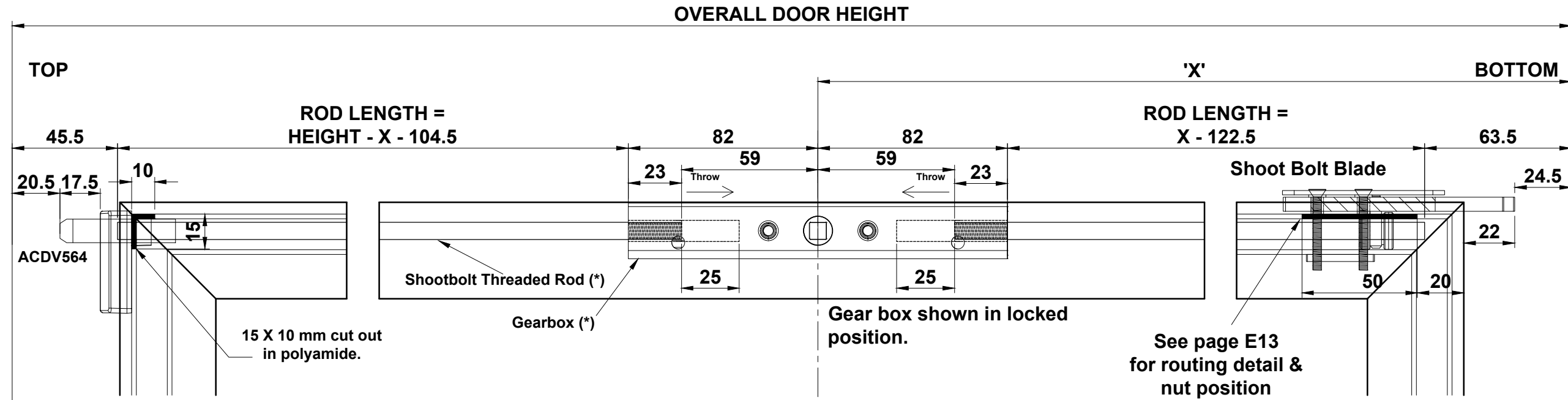
Max Cut Off In Opening Position

Min Cut Off In Opening Position**



Do Not Scale From This Drawing

ACDV663 Shootbolt Preparation with ACDV226 Handle



ACDV663 Kit Contains:

- 1 x Gearbox
- 1 x Gearbox Cover
- 2 x Shootbolt Threaded Rods
- 1 x Shootbolt Blade
- 1 x Shootbolt Blade Guide
- 1 x Shootbolt Tip
- 1 x Shootbolt Fixing Plate

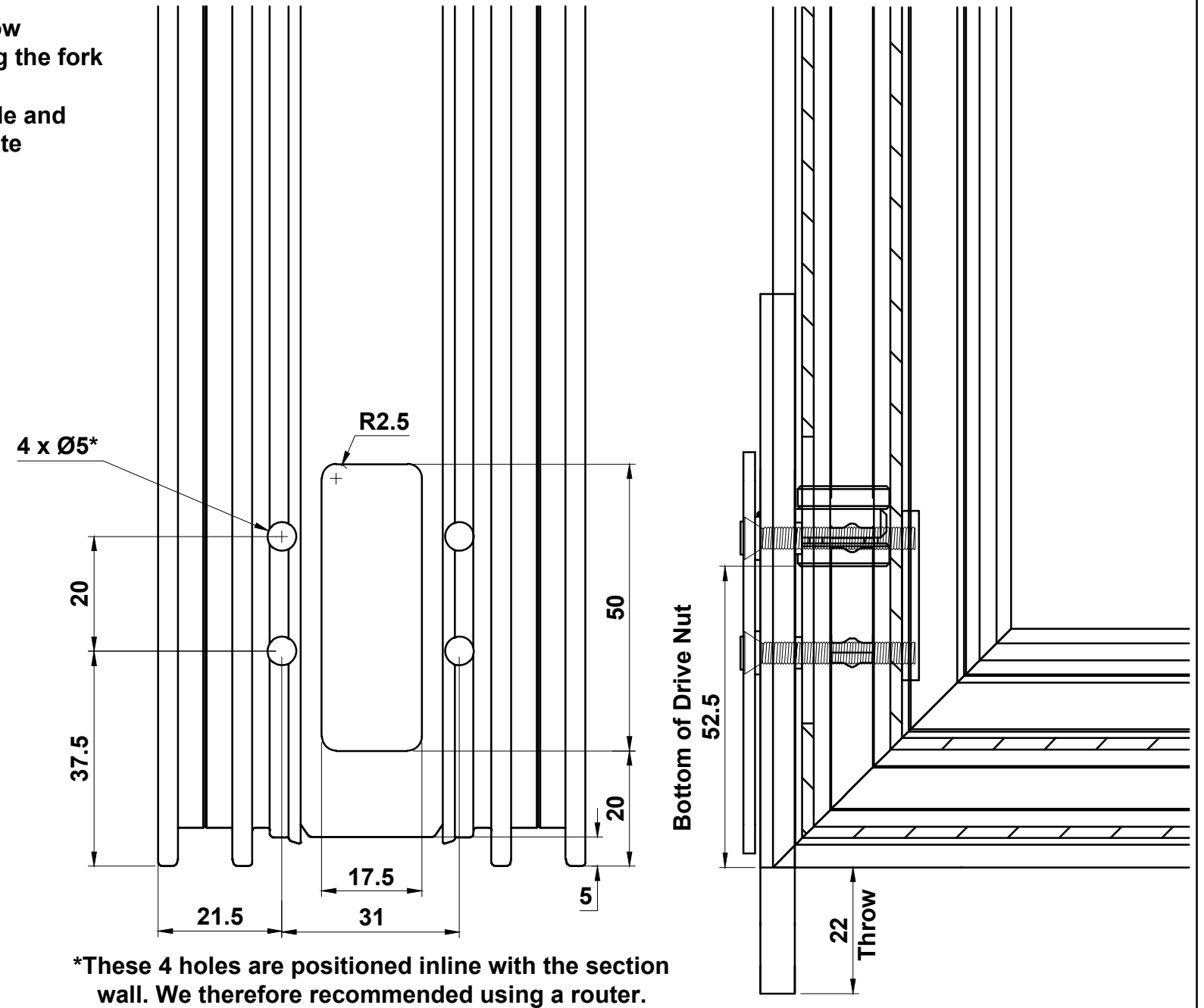
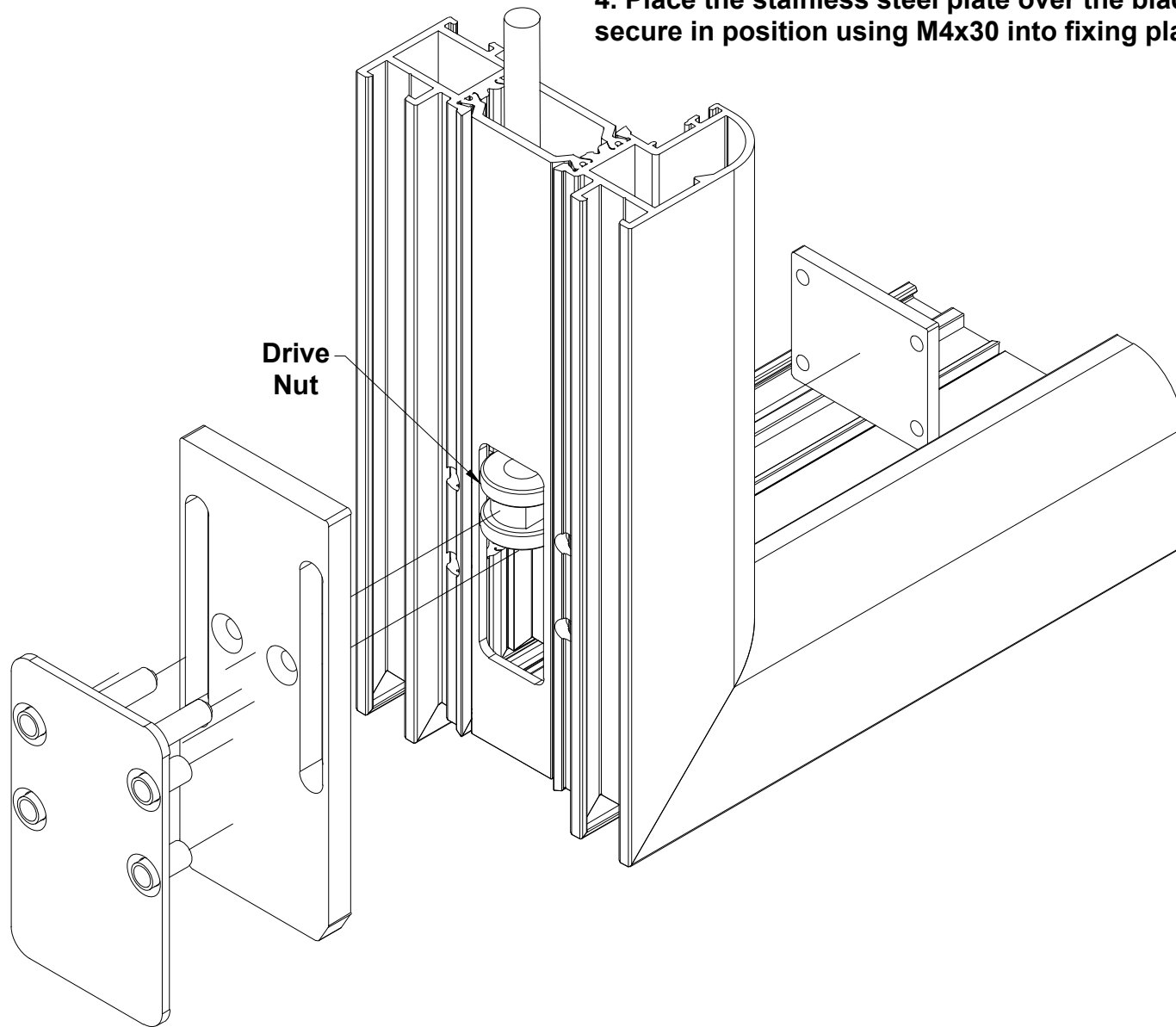
(*) Included in ACDV663 Kit

Do Not Scale From This Drawing

ACDV663 Shootbolt Blade Detail

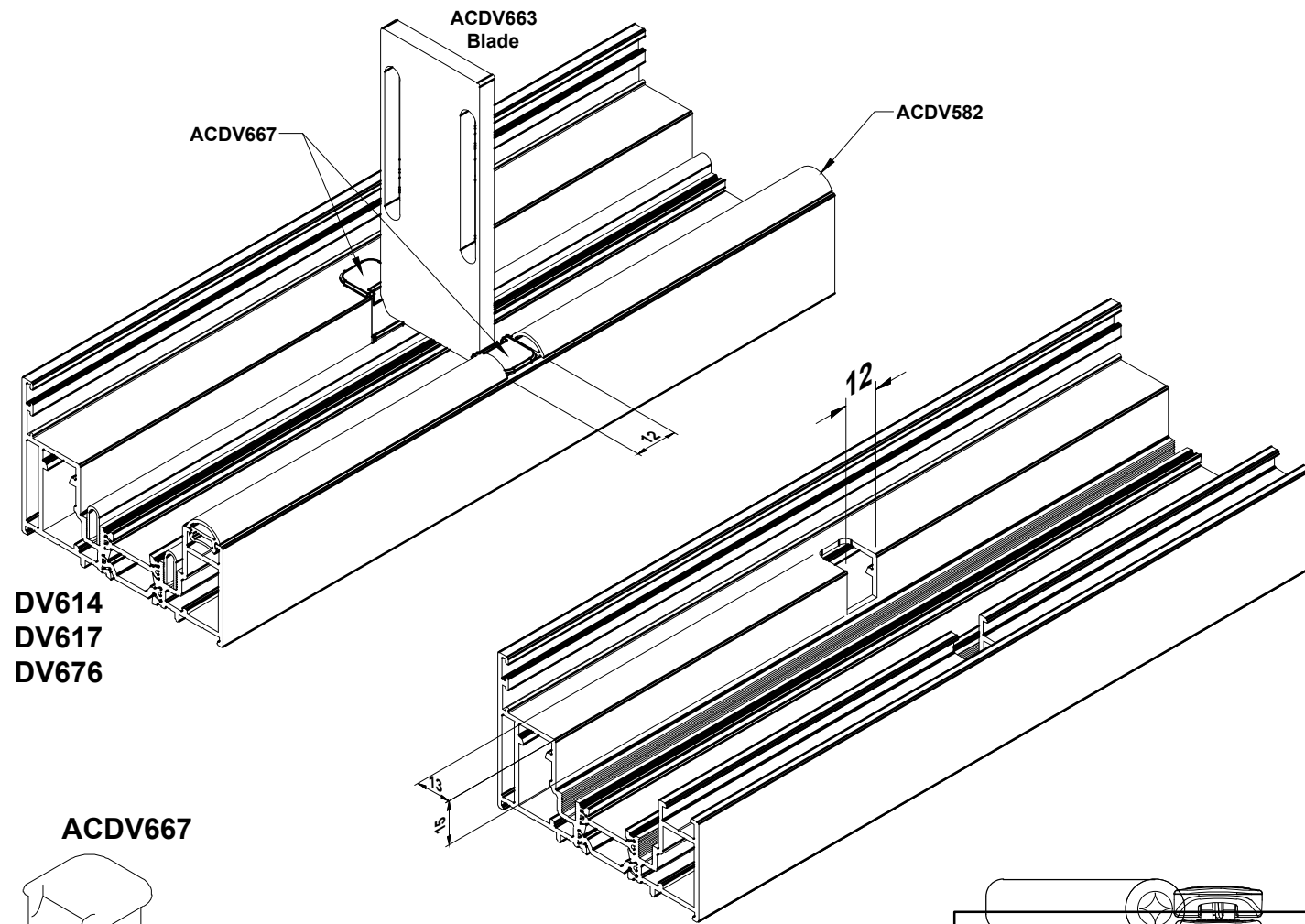
Installation Steps:

1. Screw the bottom threaded bar into the gearbox and feed into the section through the slot
2. Adjust drive nut to the position shown below
3. Place shootbolt blade over the nut ensuring the fork of the blade is either side of the nut
4. Place the stainless steel plate over the blade and secure in position using M4x30 into fixing plate



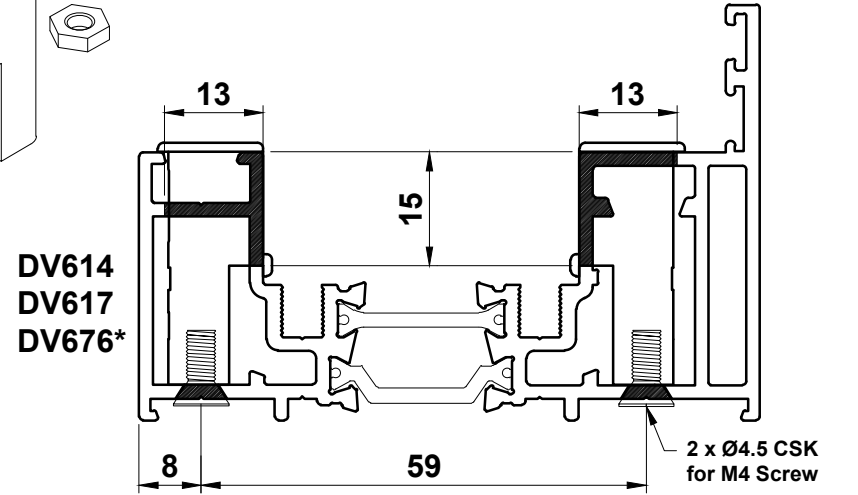
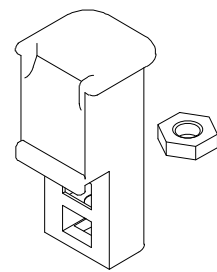
Do Not Scale From This Drawing

ACDV667 Shootbolt Blade Keep Fitting & Location



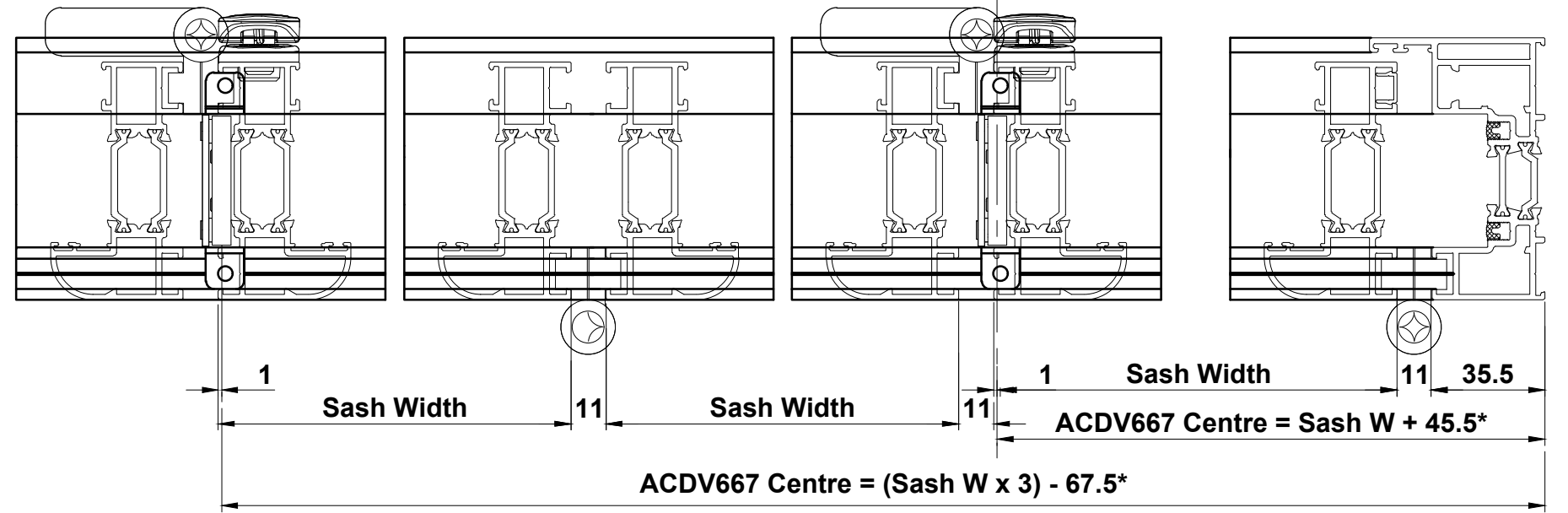
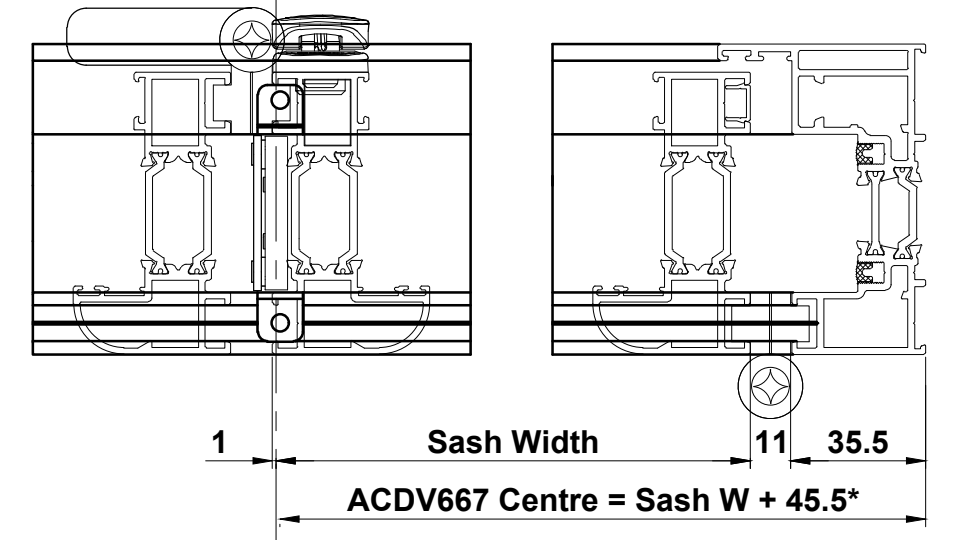
DV614
DV617
DV676

ACDV667



*The internal ACDV667 keep must be sealed into DV676.

ACDV677 Location

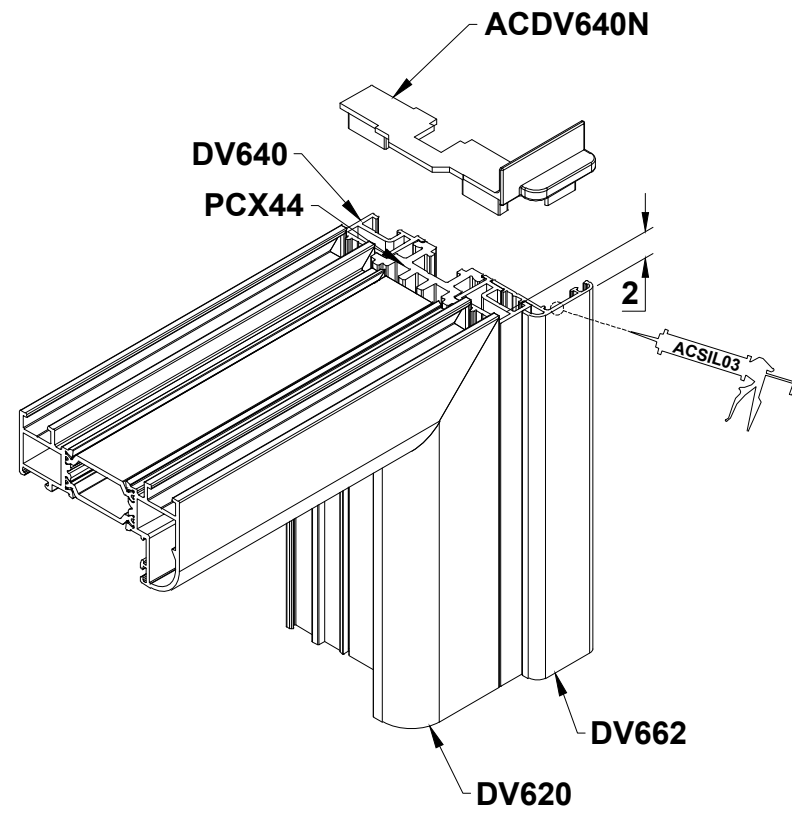


*Please add a additional 29.5mm to the above when using DV651 & DV652 adjustable jamb.

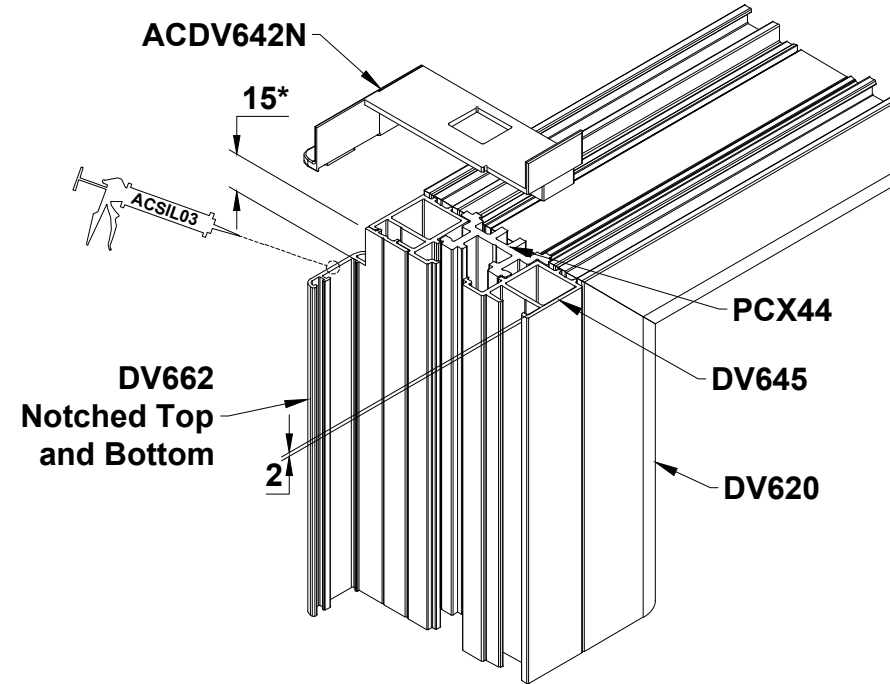
Do Not Scale From This Drawing

Rebate Adapter End Caps

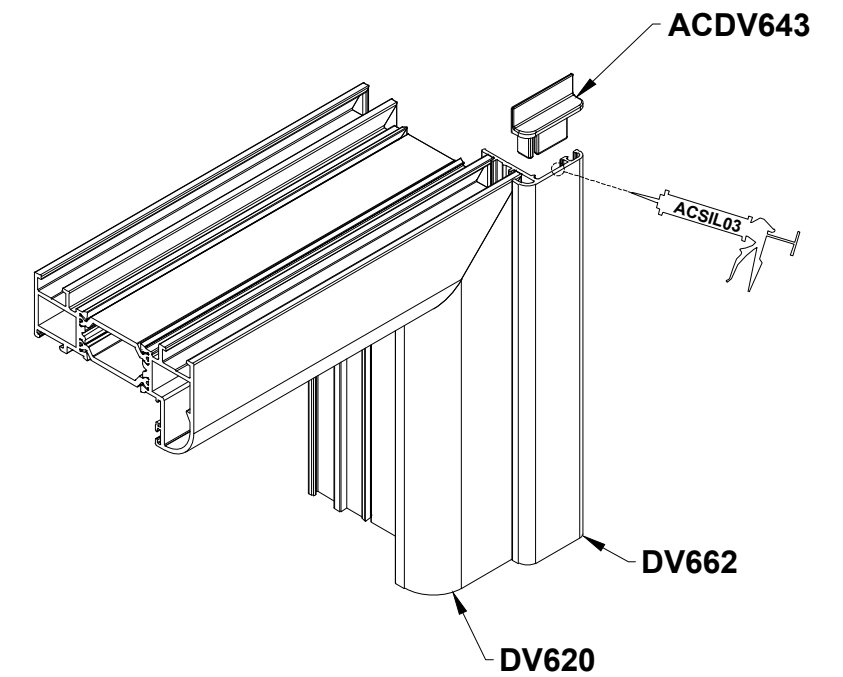
Primary door



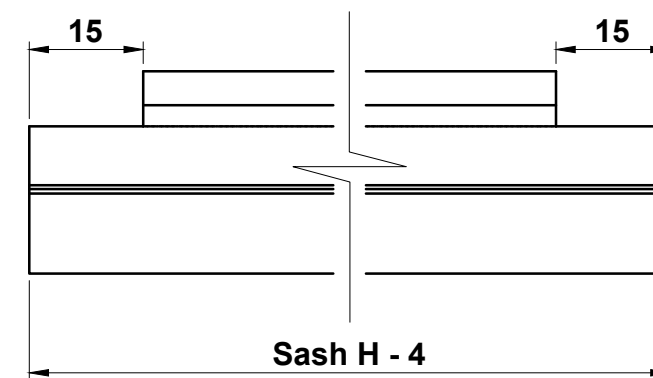
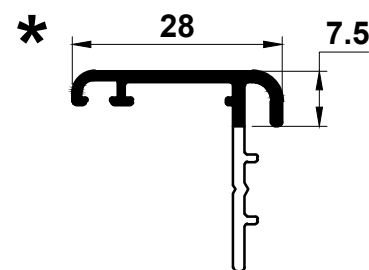
Secondary door



Rebate adapter

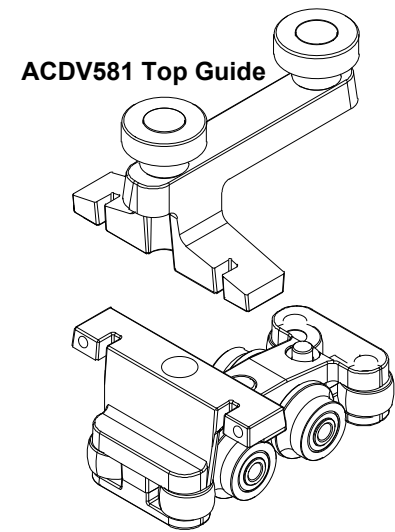


DV662 preparation detail for ACDV642N end cap.

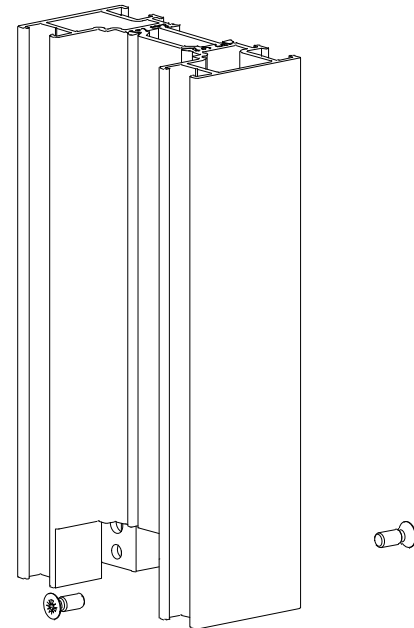


Do Not Scale From This Drawing

DV38 Preparation



4 x Machine Screws
(included)



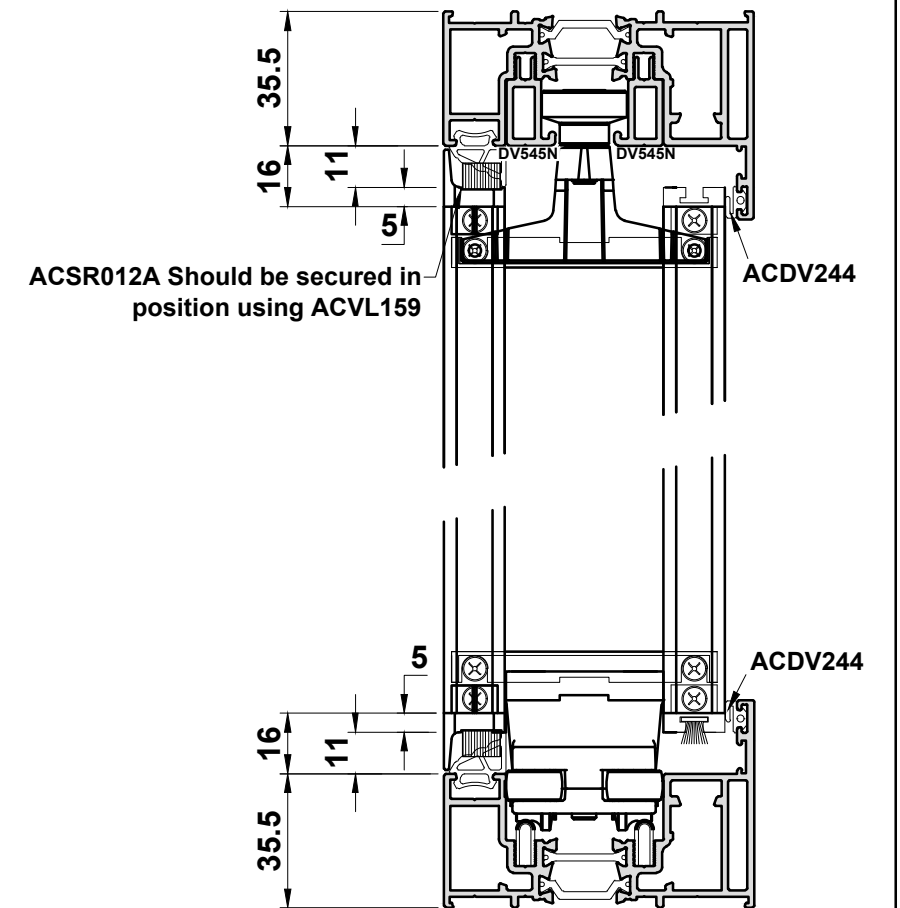
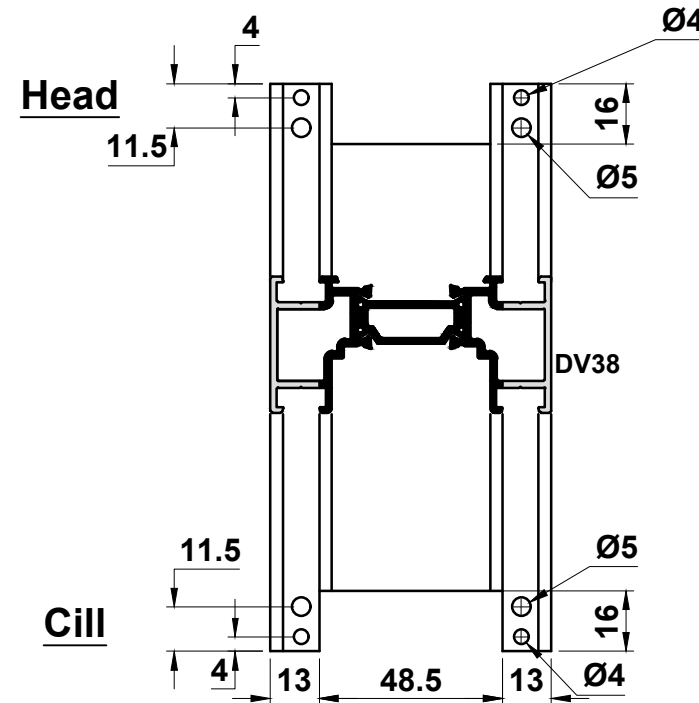
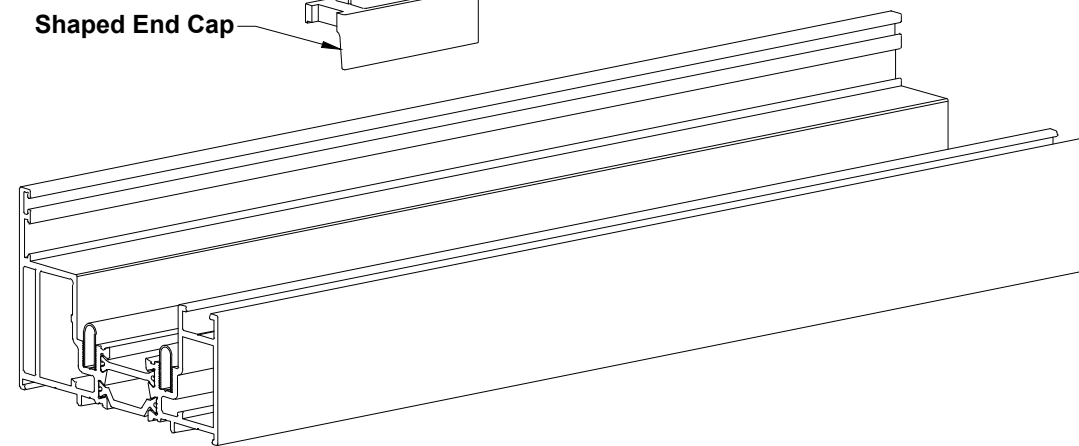
Isolator

ACDV580 Bottom Roller
ACDV581 Top Guide

- ACDV590 Kits Contain:
- 10 Pairs Flat End Caps
 - 10 Pairs Shaped End Caps
 - 10 Pairs of Isolators

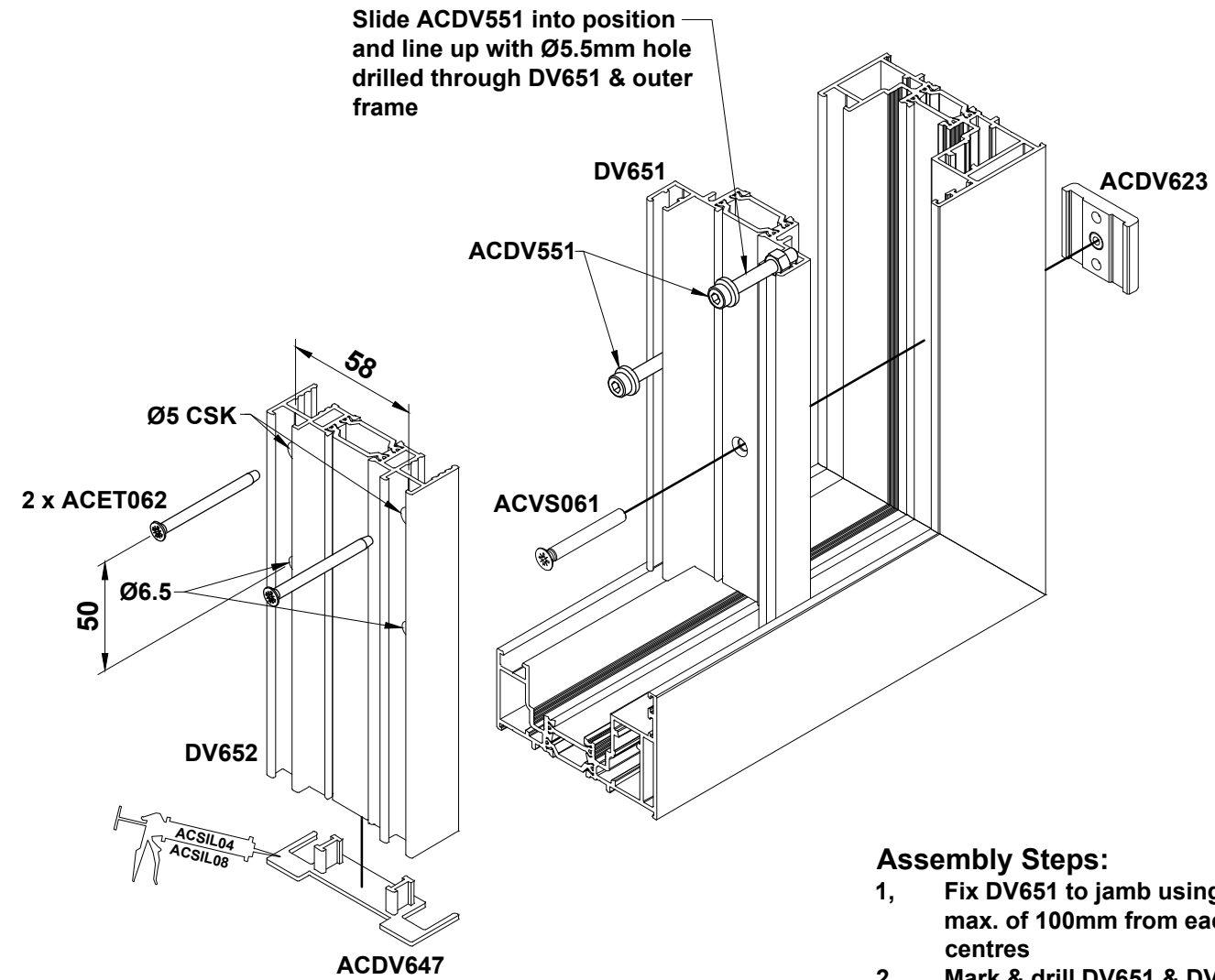
Flat End Cap

Shaped End Cap



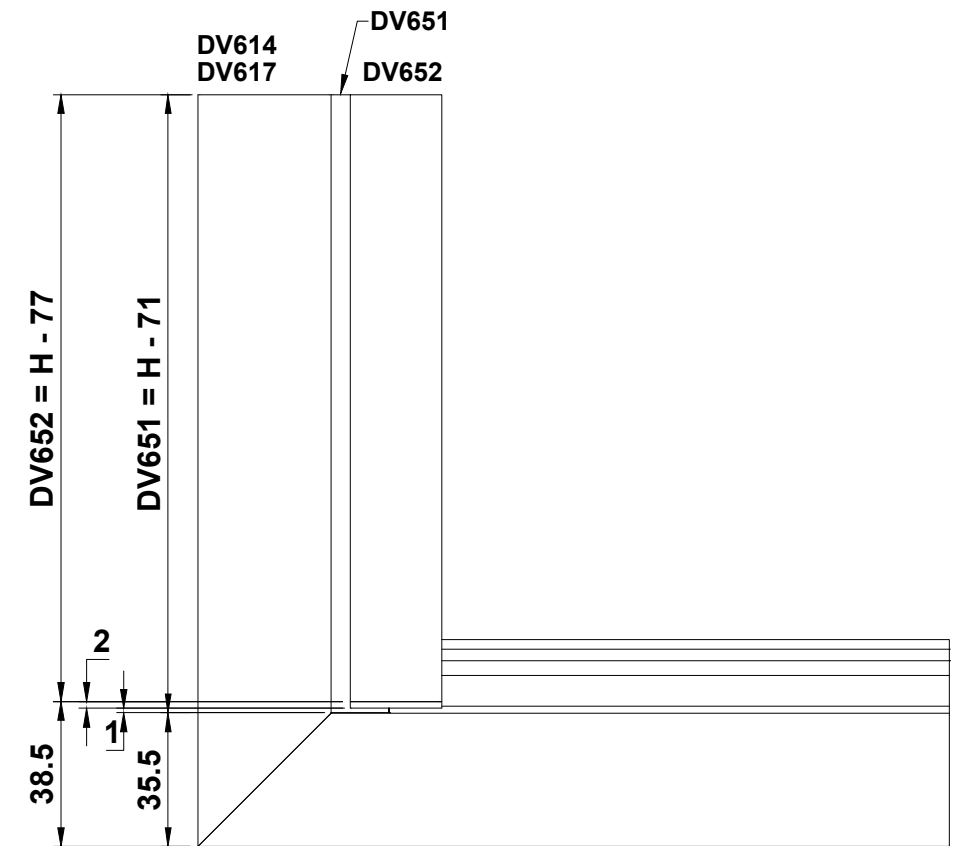
Do Not Scale From This Drawing

Adjustable Jamb



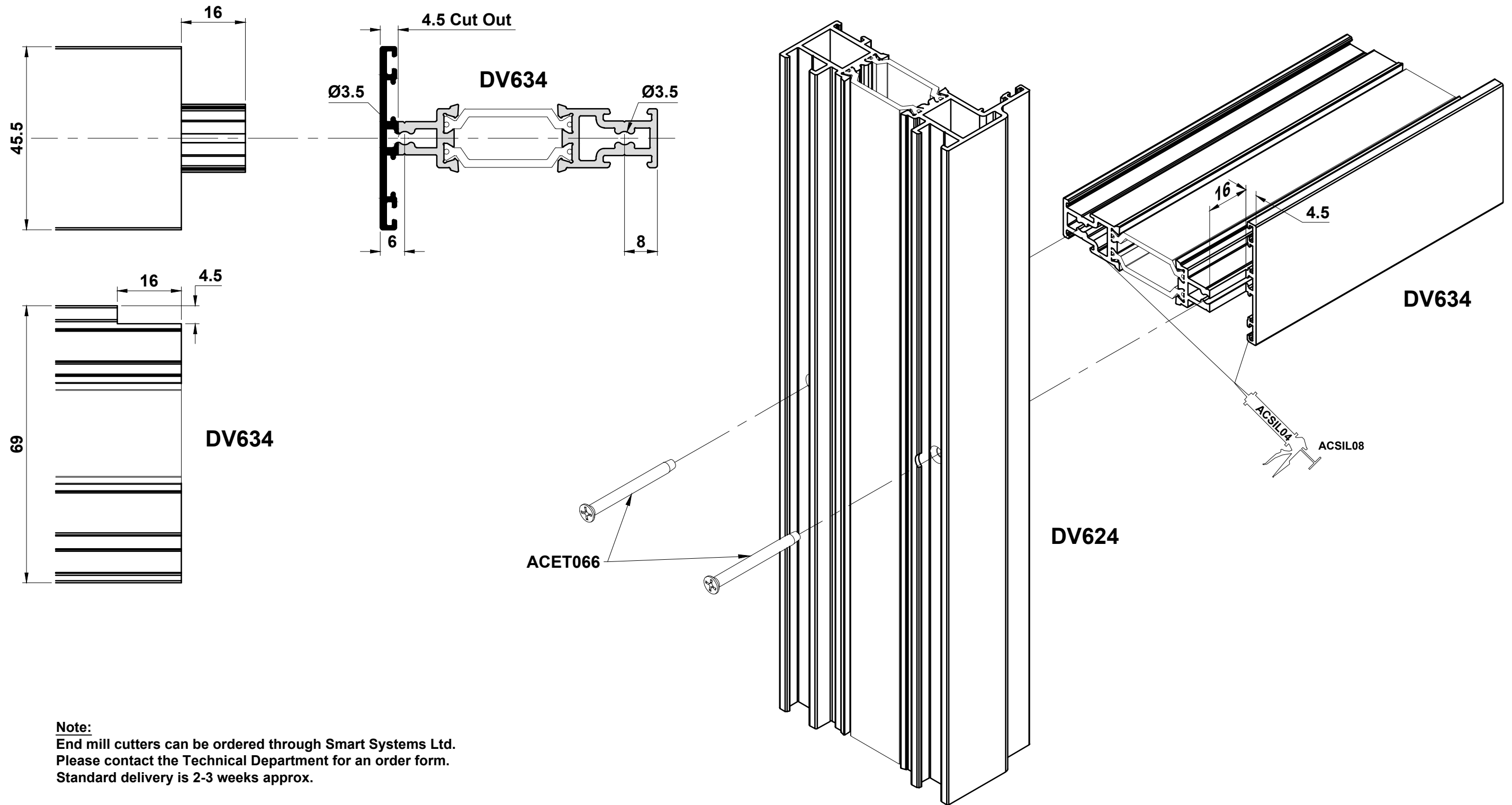
Assembly Steps:

- 1, Fix DV651 to jamb using ACVS061 screws at a max. of 100mm from each end and at 500mm centres
- 2, Mark & drill DV651 & DV652 for the ACDV551 fixings allowing: 1 x 50mm above the bottom hinge, 1 x 50mm below the top hinge and at a maximum of 500mm centres, taking care to avoid drilling in the same position as the intermediate hinges
- 3, Mark, drill and countersink DV651 & DV652 50mm above or below the ACDV551 fixings for the ACET062 securing screw
- 4, Insert the ACDV551 fixings into DV651 and wind up tight enough to hold the screw heads in a steady position
- 5, Fix hinges in position on DV652 and position on the jamb ensuring the head of the ACDV551 fixings are accessible.



Do Not Scale From This Drawing

DV634 Midrail into DV624

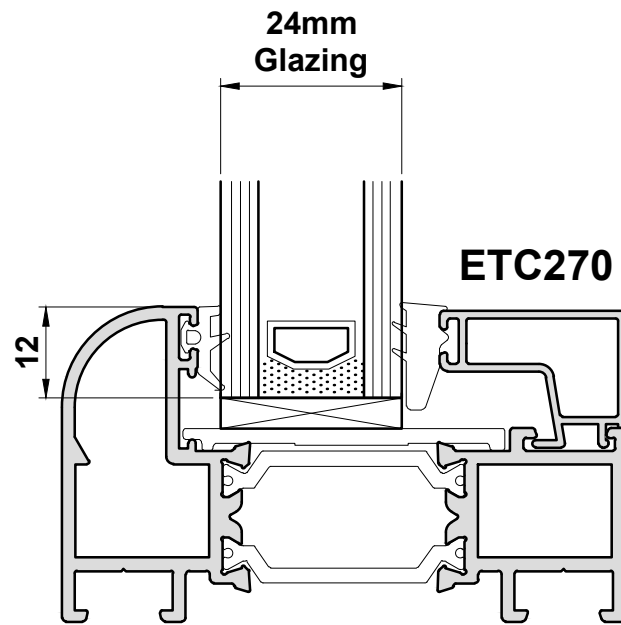


Note:
End mill cutters can be ordered through Smart Systems Ltd.
Please contact the Technical Department for an order form.
Standard delivery is 2-3 weeks approx.

Do Not Scale From This Drawing

Glazing Details

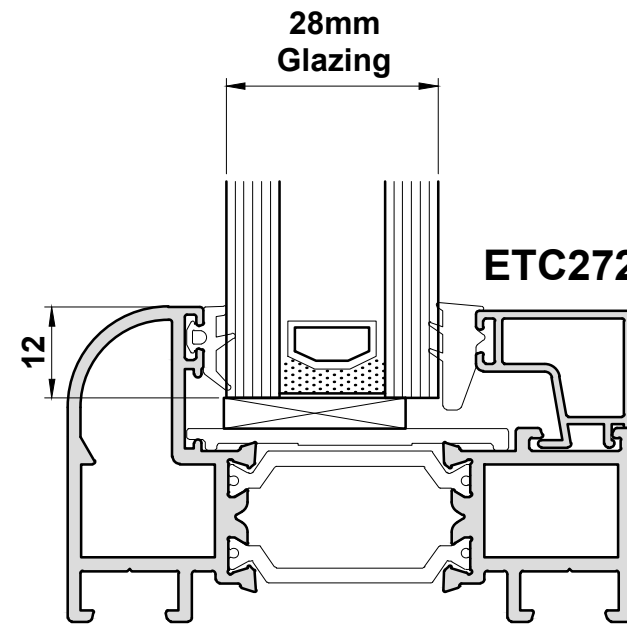
Internally Beaded



ETC270

**DV620
DV622**

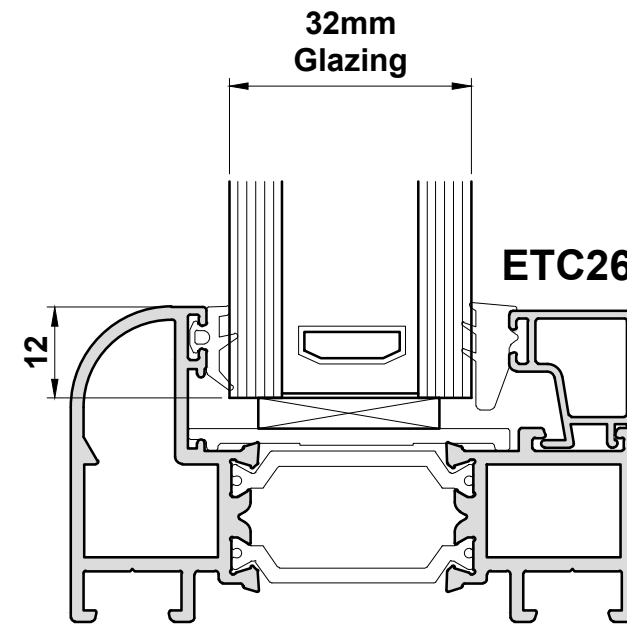
24mm Units	
BEADS	GASKET
ETC270	Outside: ACET842 3mm 'E' Gasket Inside: ACET840 5mm Wedge Gasket



ETC272

**DV620
DV622**

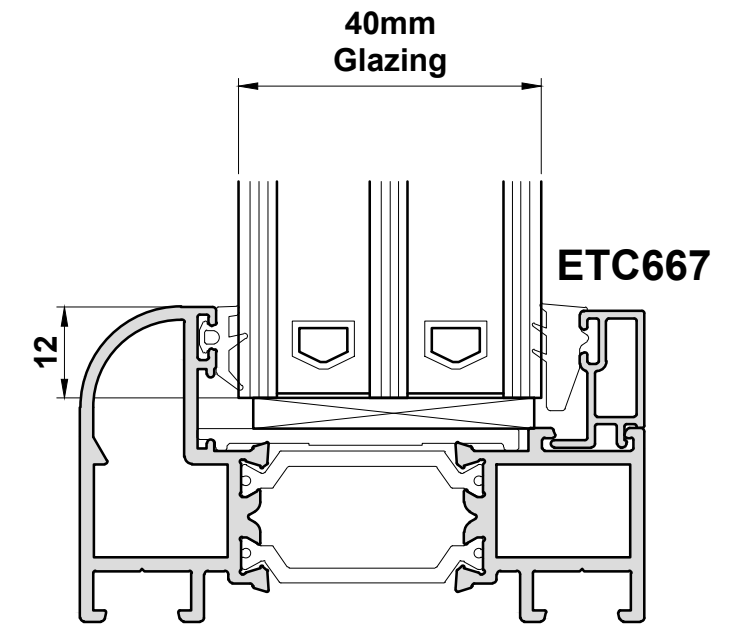
28mm Units	
BEADS	GASKET
ETC272	Outside: ACET842 3mm 'E' Gasket Inside: ACET840 5mm Wedge Gasket



ETC267

**DV620
DV622**

32mm Units	
BEADS	GASKET
ETC267	Outside: ACET842 3mm 'E' Gasket Inside: ACET840 5mm Wedge Gasket

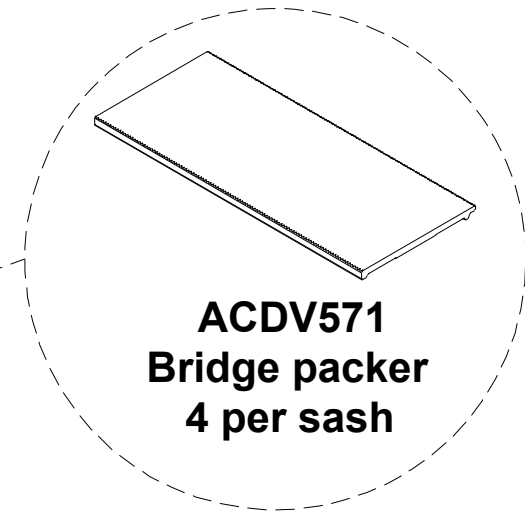
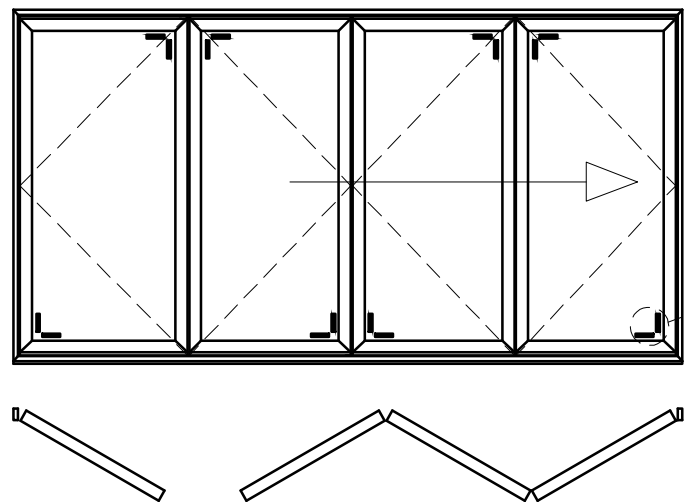


ETC667

**DV620
DV622**

40mm Units	
BEADS	GASKET
ETC667	Outside: ACET842 3mm 'E' Gasket Inside: ACET840 5mm Wedge Gasket

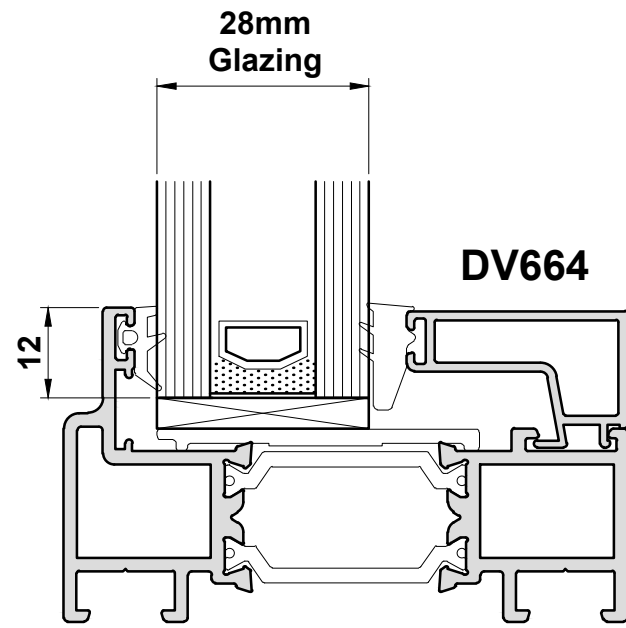
Typical Toe & Heel Locations



**ACDV571
Bridge packer
4 per sash**

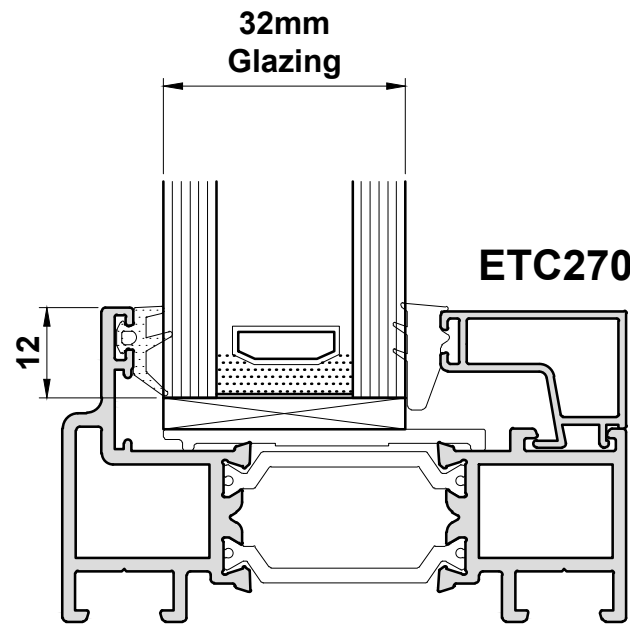
Glazing Details

Internally Beaded



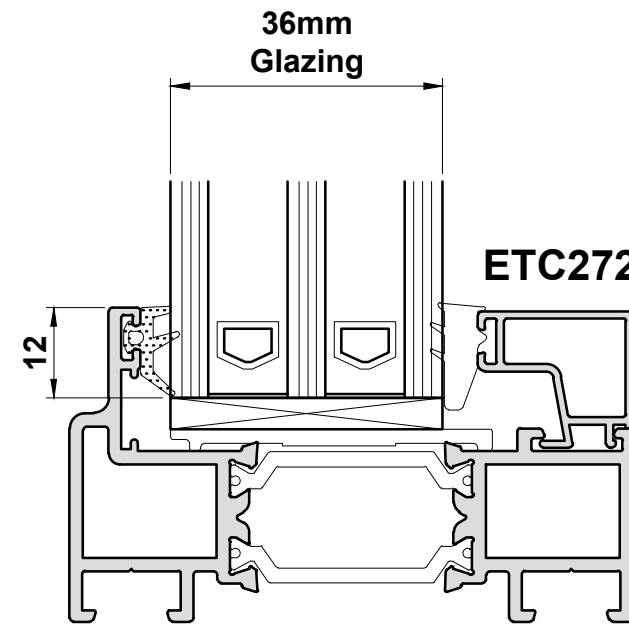
**DV624
DV634**

28mm Units	
BEADS	GASKET
DV664	Outside: ACET842 3mm 'E' Gasket Inside: ACET840 5mm Wedge Gasket



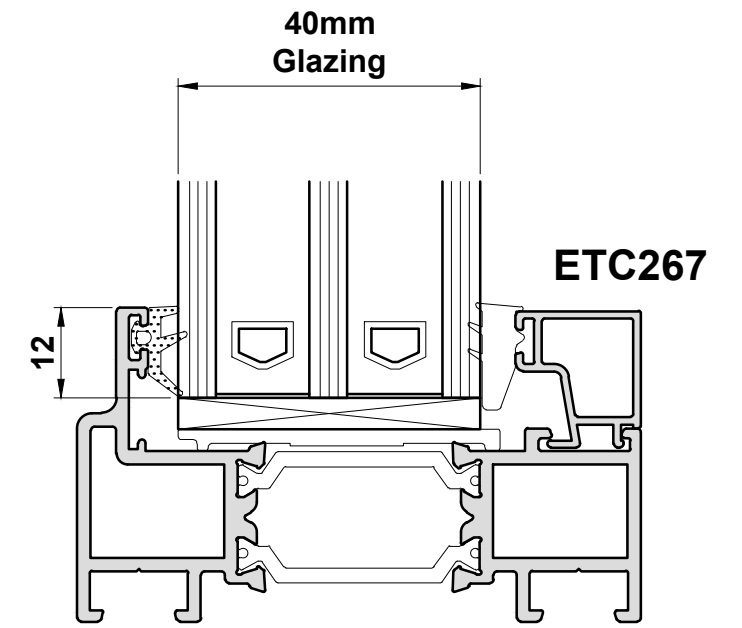
**DV624
DV634**

32mm Units	
BEADS	GASKET
ETC270	Outside: ACET841 4mm 'E' Gasket Inside: ACET840 5mm Wedge Gasket



**DV624
DV634**

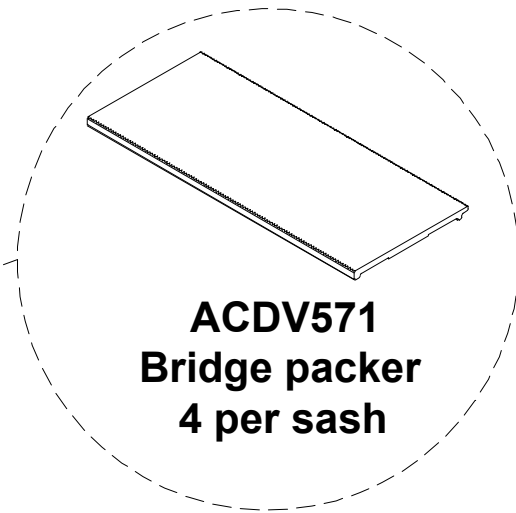
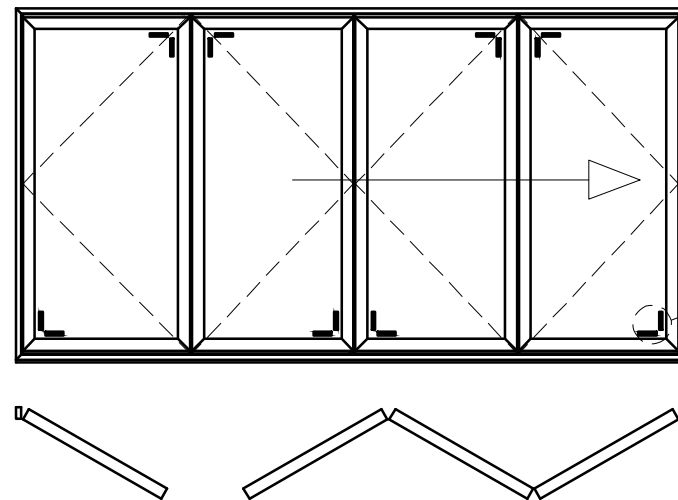
36mm Units	
BEADS	GASKET
ETC272	Outside: ACET841 4mm 'E' Gasket Inside: ACET840 5mm Wedge Gasket



**DV624
DV634**

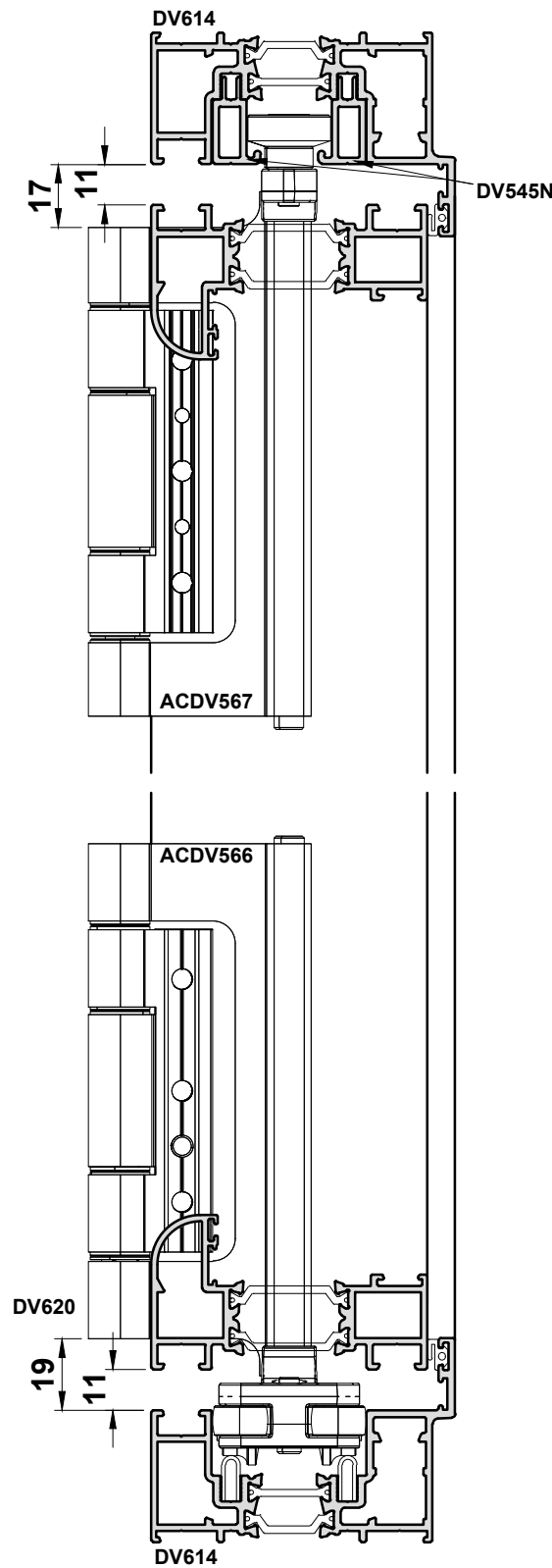
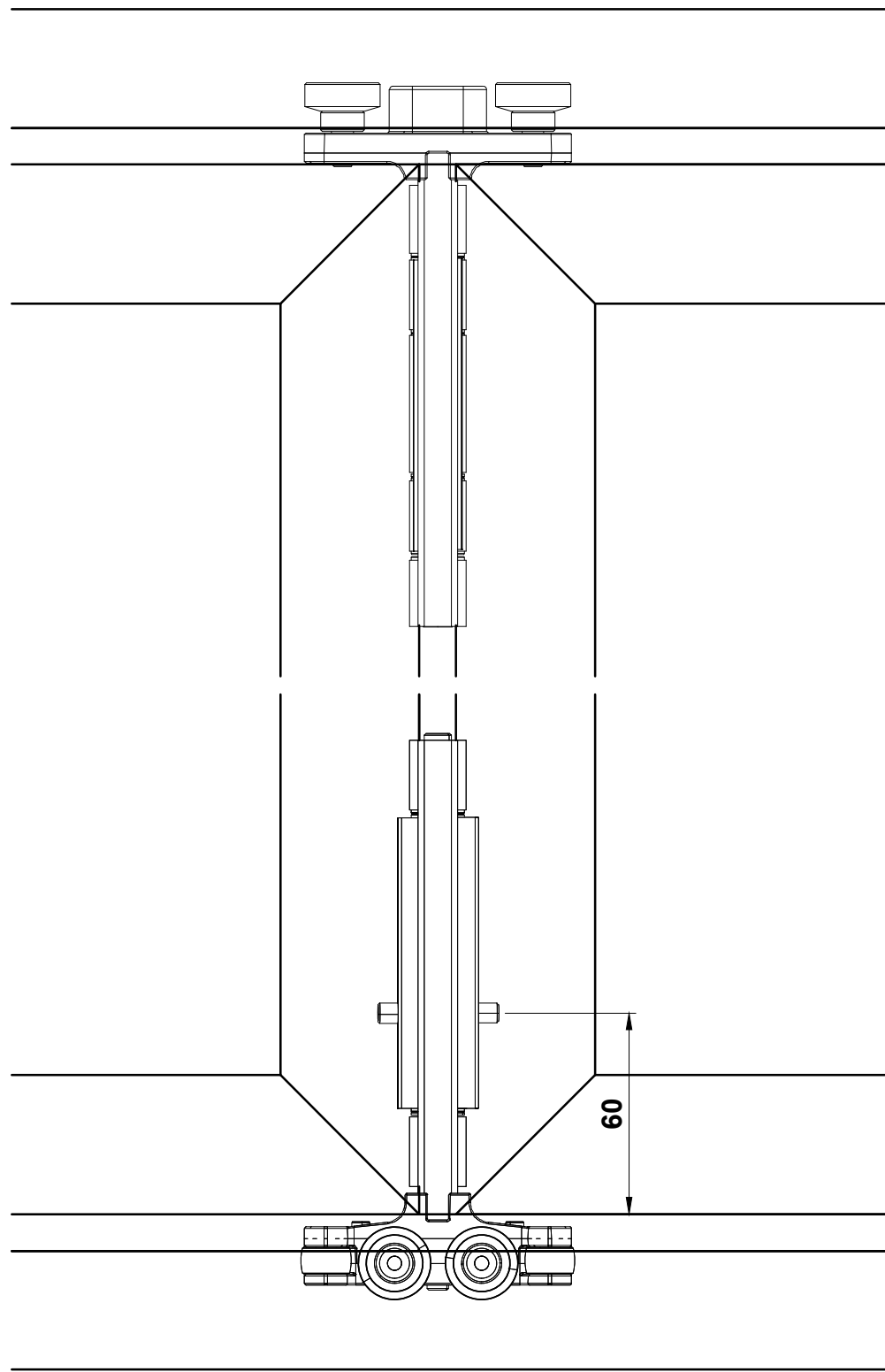
40mm Units	
BEADS	GASKET
ETC267	Outside: ACET841 4mm 'E' Gasket Inside: ACET840 5mm Wedge Gasket

Typical Toe & Heel Locations



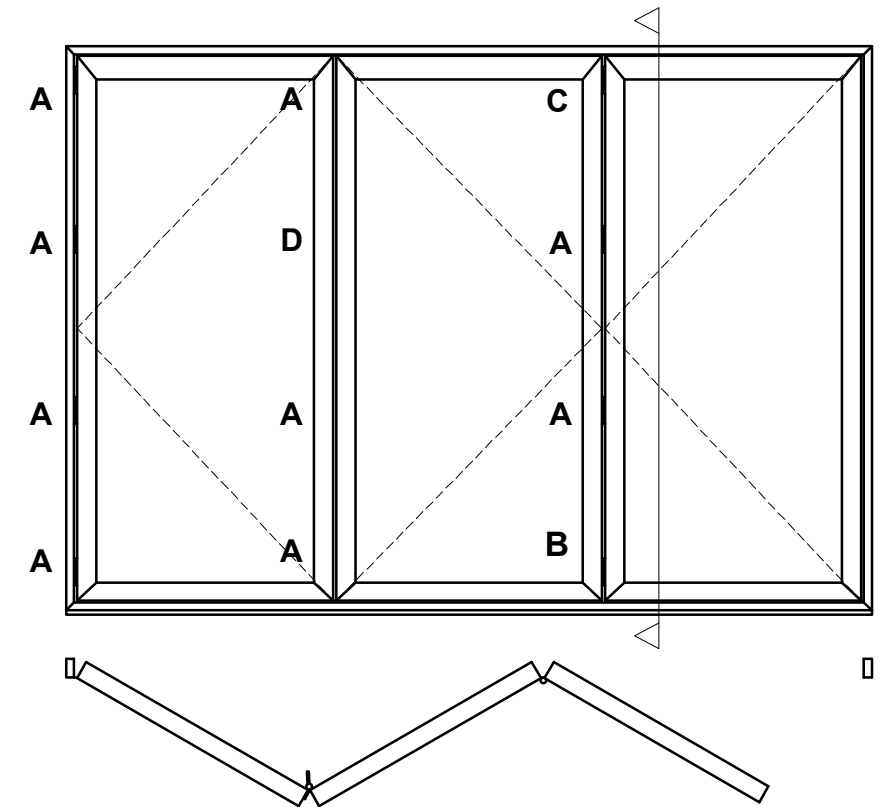
Do Not Scale From This Drawing

Hinge Location Details



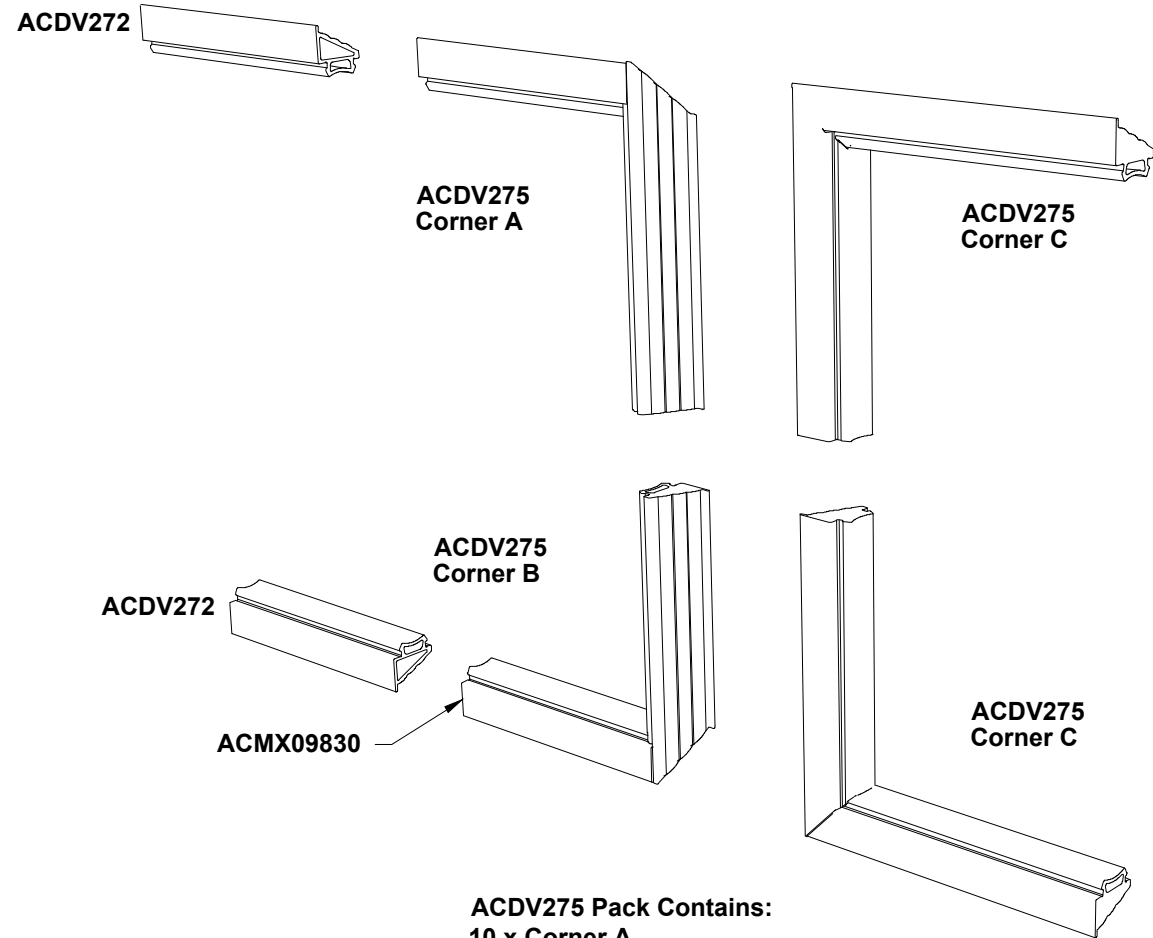
Typical Hinge Layout:
 A = ACDV331 Intermediate Hinge
 B = ACDV566 Bottom Roller Carrier
 C = ACDV567 Top Guide Carrier
 D = ACDV234 'D' Handle Hinge

Note:
 Once hinges are set into position, secure centre hole with ACIM062 screw for permanent fixing.



Do Not Scale From This Drawing

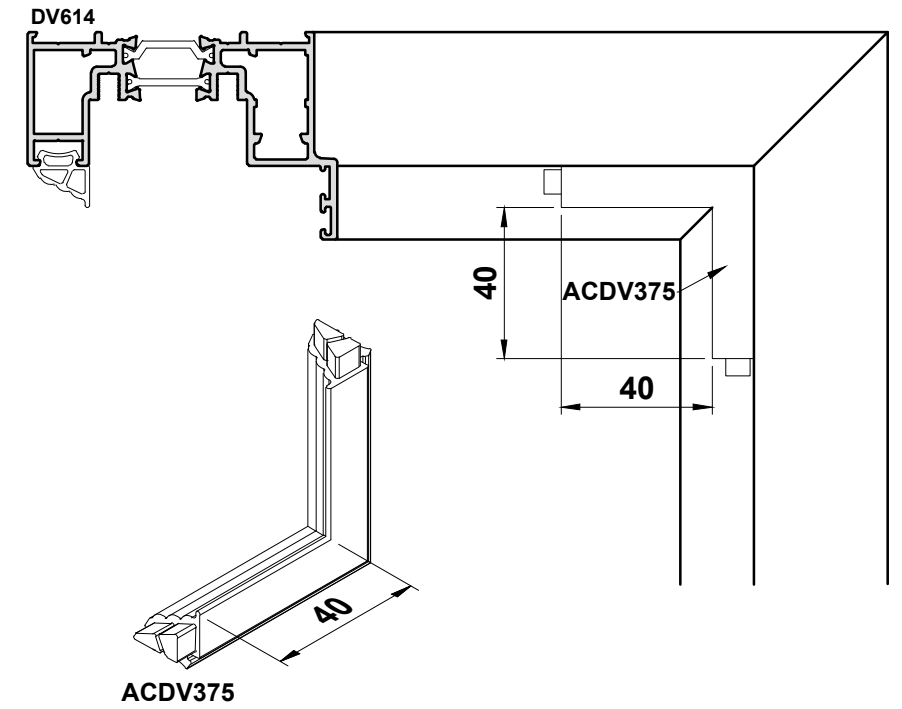
ACDV275 & ACDV375 Gasket Details



ACDV275 Pack Contains:
10 x Corner A
10 x Corner B
20 x Corner C

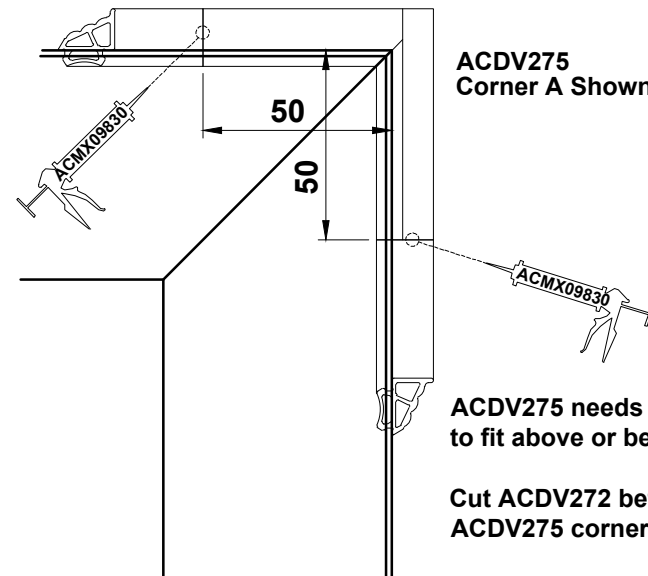
Packs of each corner type may also be ordered as:
ACDV275A, ACDV275B or ACDV275C

Outer Frame Gasket Detail



Example Vent Gasket Detail

Cut ACDV272 between ACDV275 corner moulds



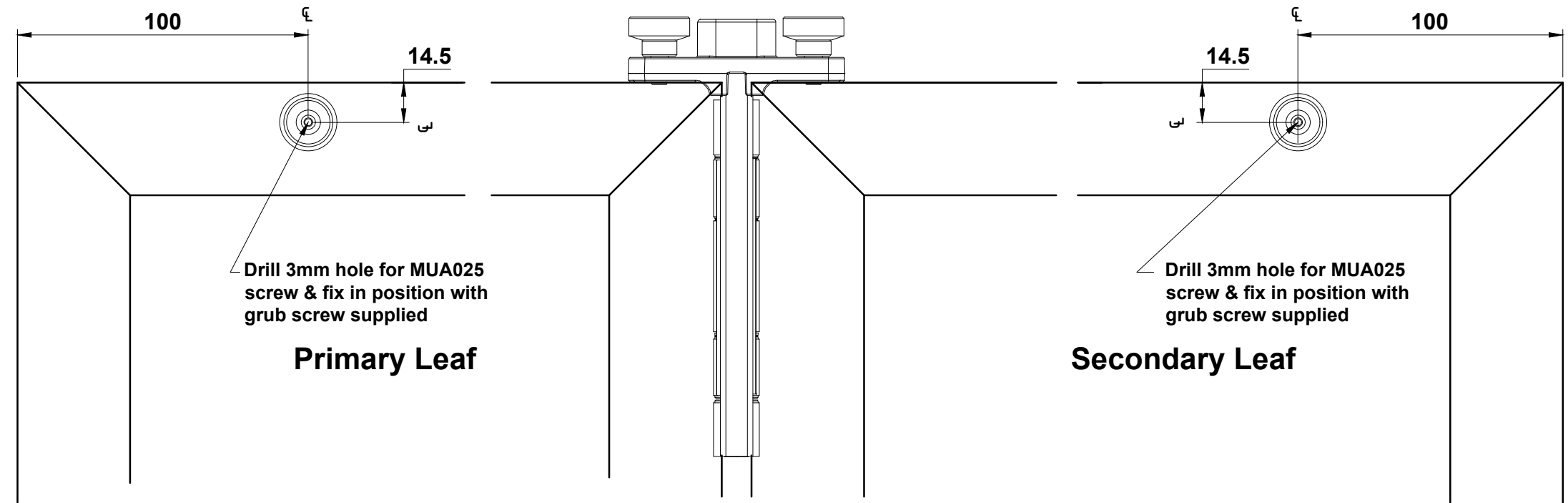
ACDV275 Corner A Shown

ACDV275 needs to be cut to fit above or below the hinges

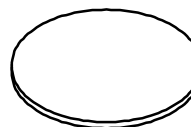
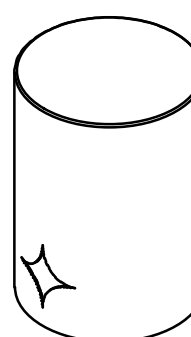

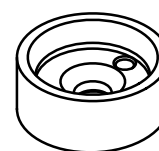
Cut ACDV272 between ACDV275 corner moulds

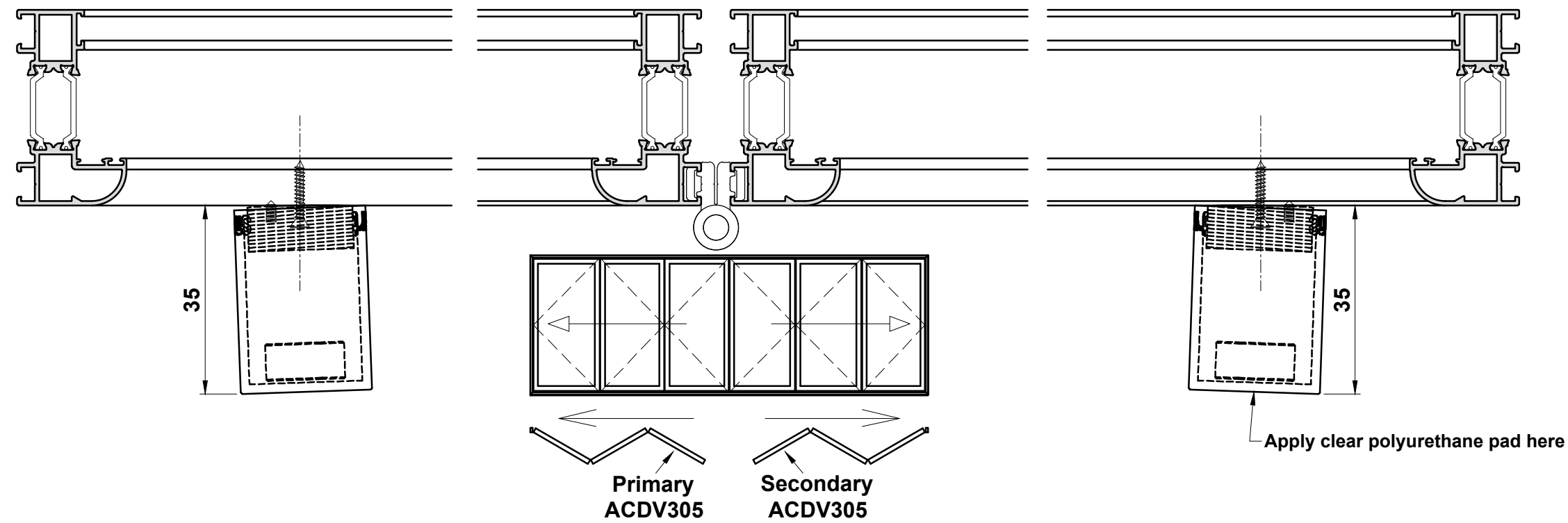
Do Not Scale From This Drawing

ACDV305 Installation



ACDV305 Kit Contains

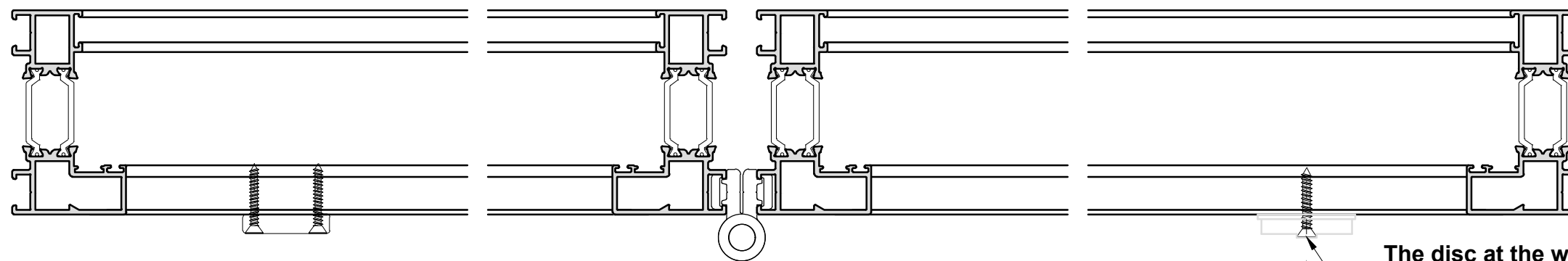
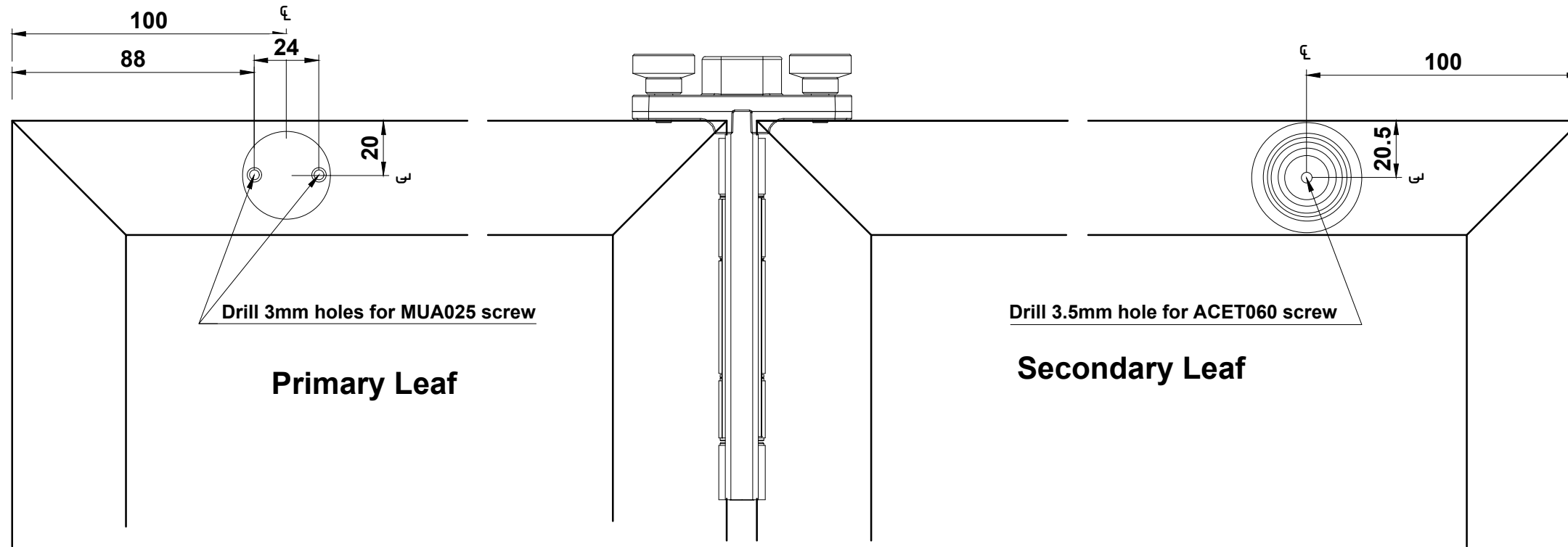
-  1 x Clear Polyurethane Pad
-  2 x 35mm Magnetic Holders
-  2 x Magnets
-  2 x Threaded Base



Do Not Scale From This Drawing

ACDV308 & ACDV309 Installation

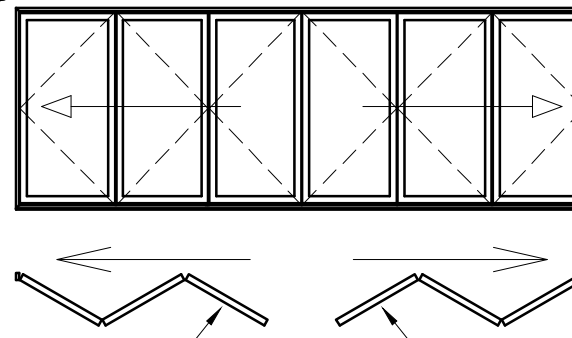
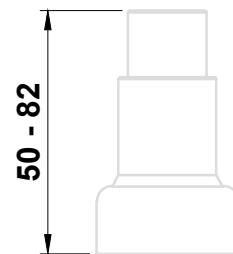
Important Note:
ACDV308 & ACDV309
can only be used with
DV622 Square Sash.
Use ACDV305 for
DV620 Curved Sash
or DV624 Heritage
Sash.



ACDV308



ACDV309

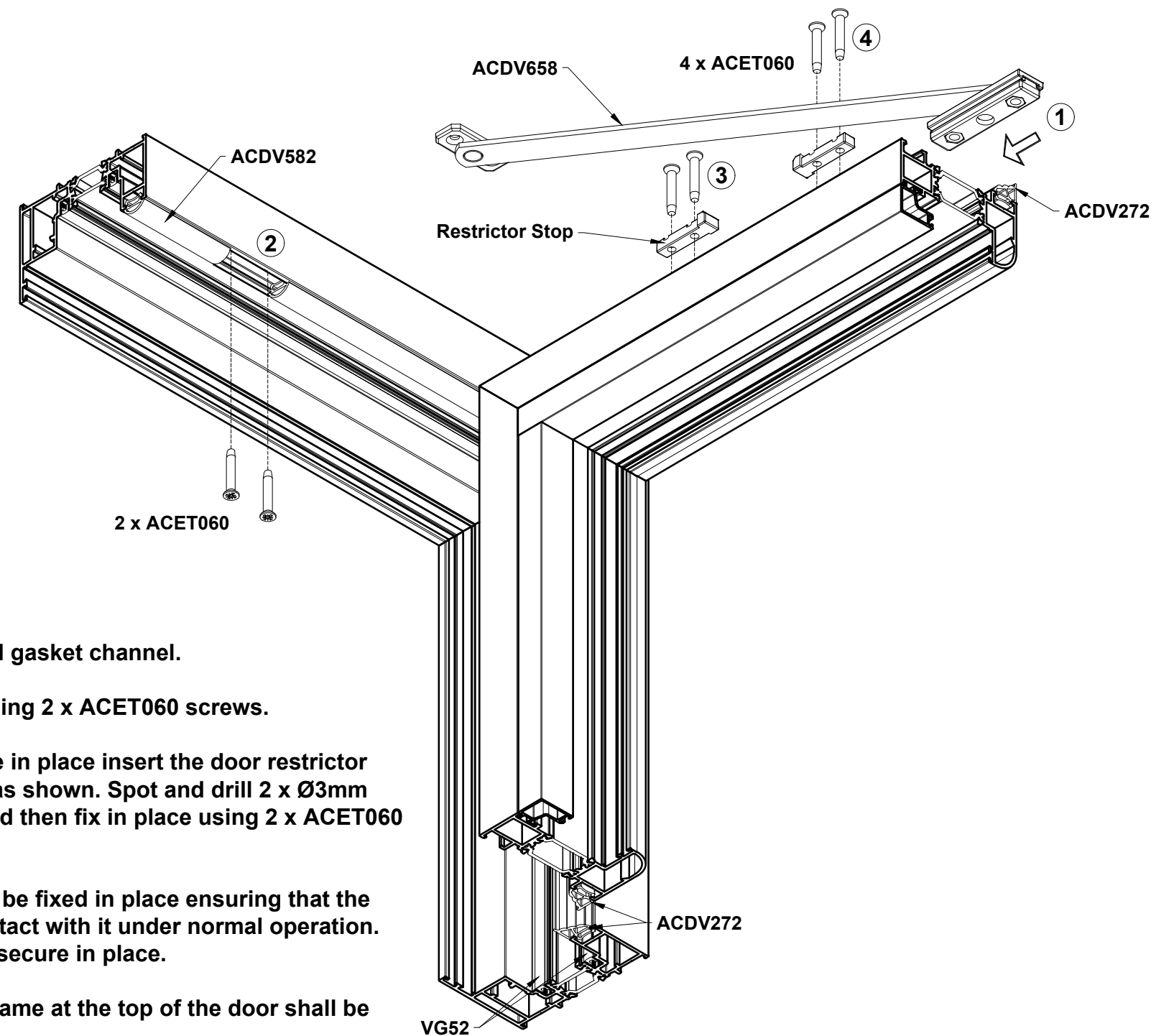
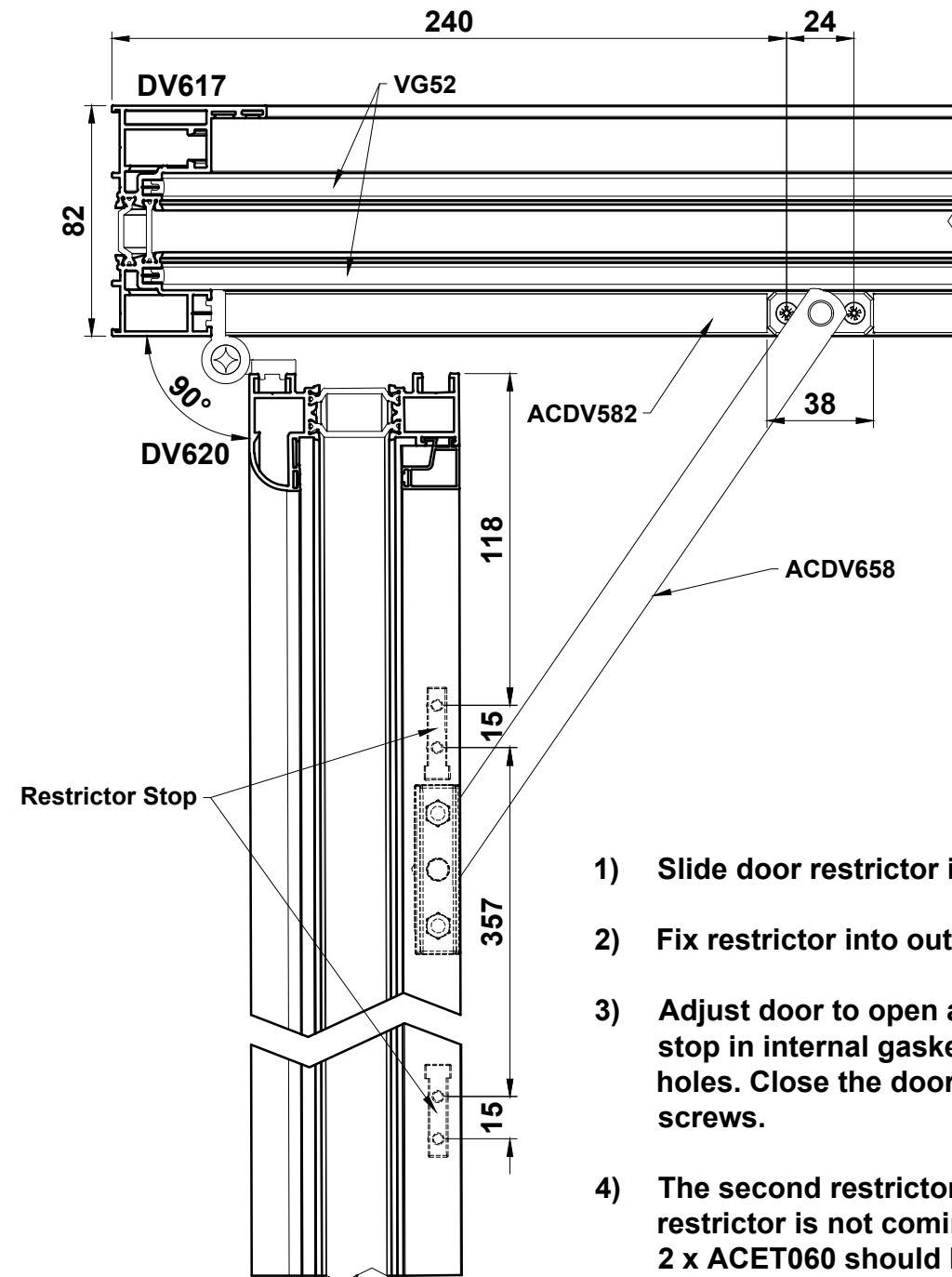


The disc at the wider end of the catch unscrews to allow fixing.

WARNING - the catch is SPRING LOADED, take care when removing from base plate and point in a safe direction

Do Not Scale From This Drawing

ACDV658 Door Restrictor

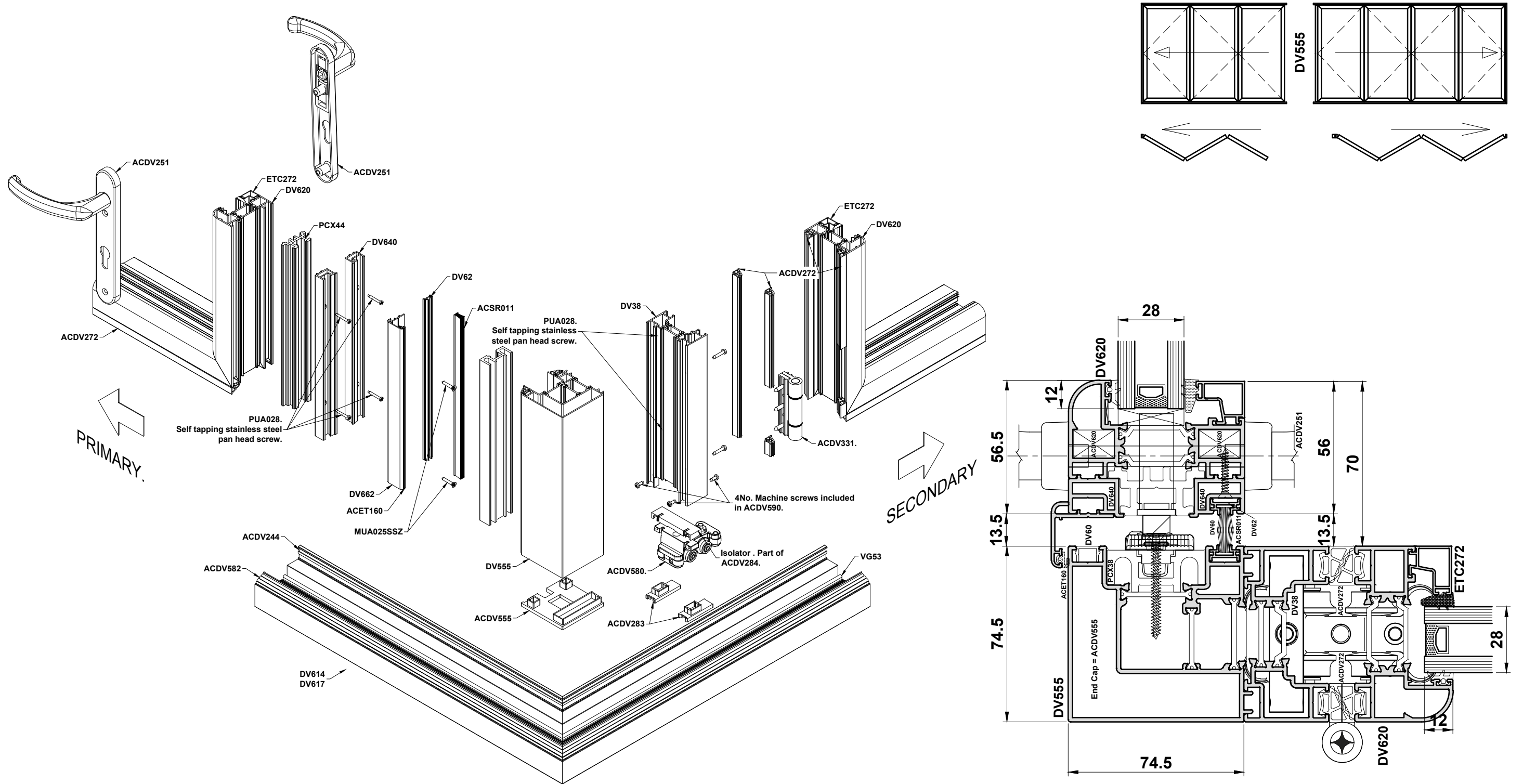


- 1) Slide door restrictor into internal gasket channel.
- 2) Fix restrictor into outer frame using 2 x ACET060 screws.
- 3) Adjust door to open at 90°. Once in place insert the door restrictor stop in internal gasket channel as shown. Spot and drill 2 x Ø3mm holes. Close the door slightly and then fix in place using 2 x ACET060 screws.
- 4) The second restrictor stop shall be fixed in place ensuring that the restrictor is not coming into contact with it under normal operation. 2 x ACET060 should be used to secure in place.

Note: ACDV272 gasket in the outer frame at the top of the door shall be replaced with ACDV582 gasket.

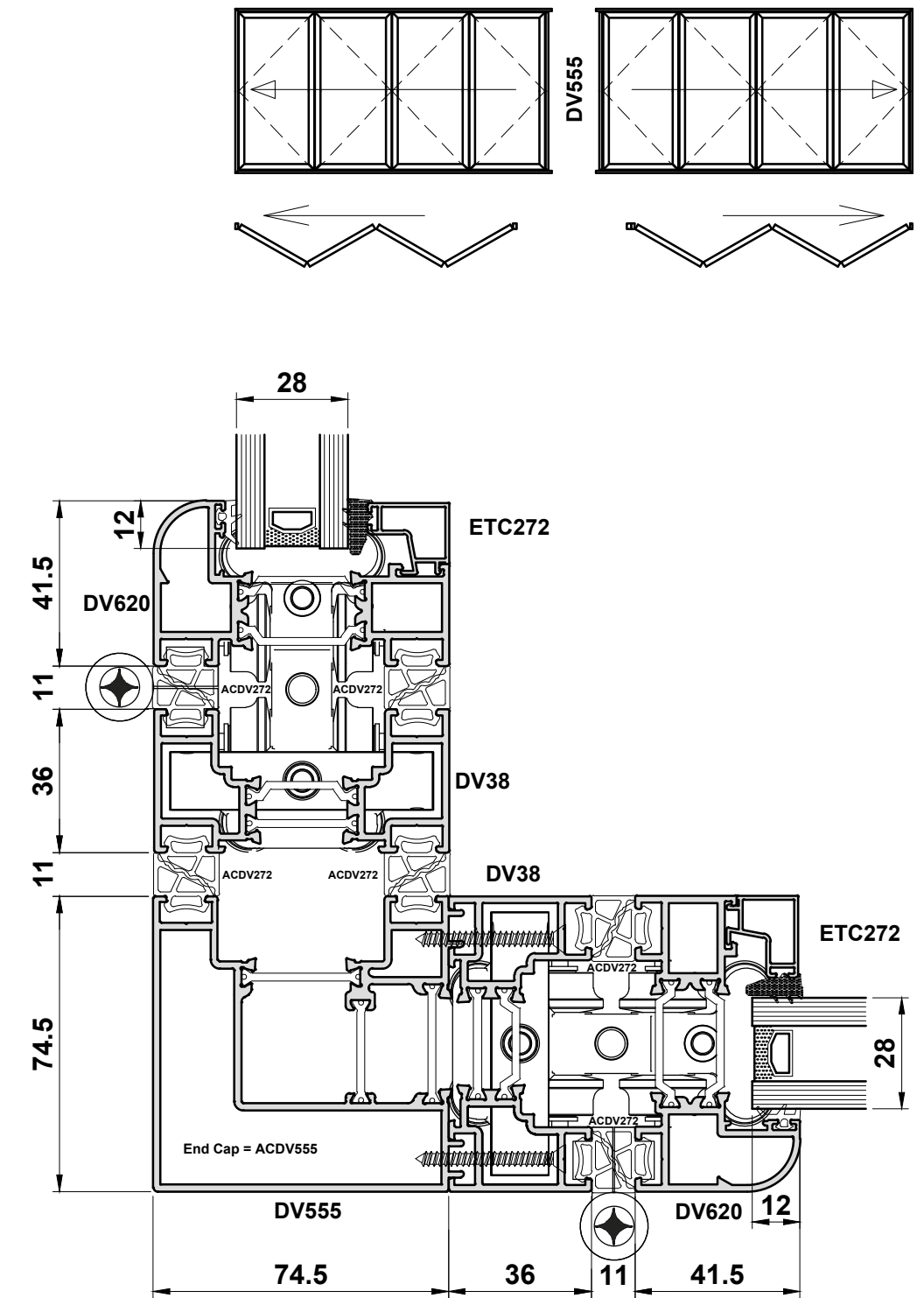
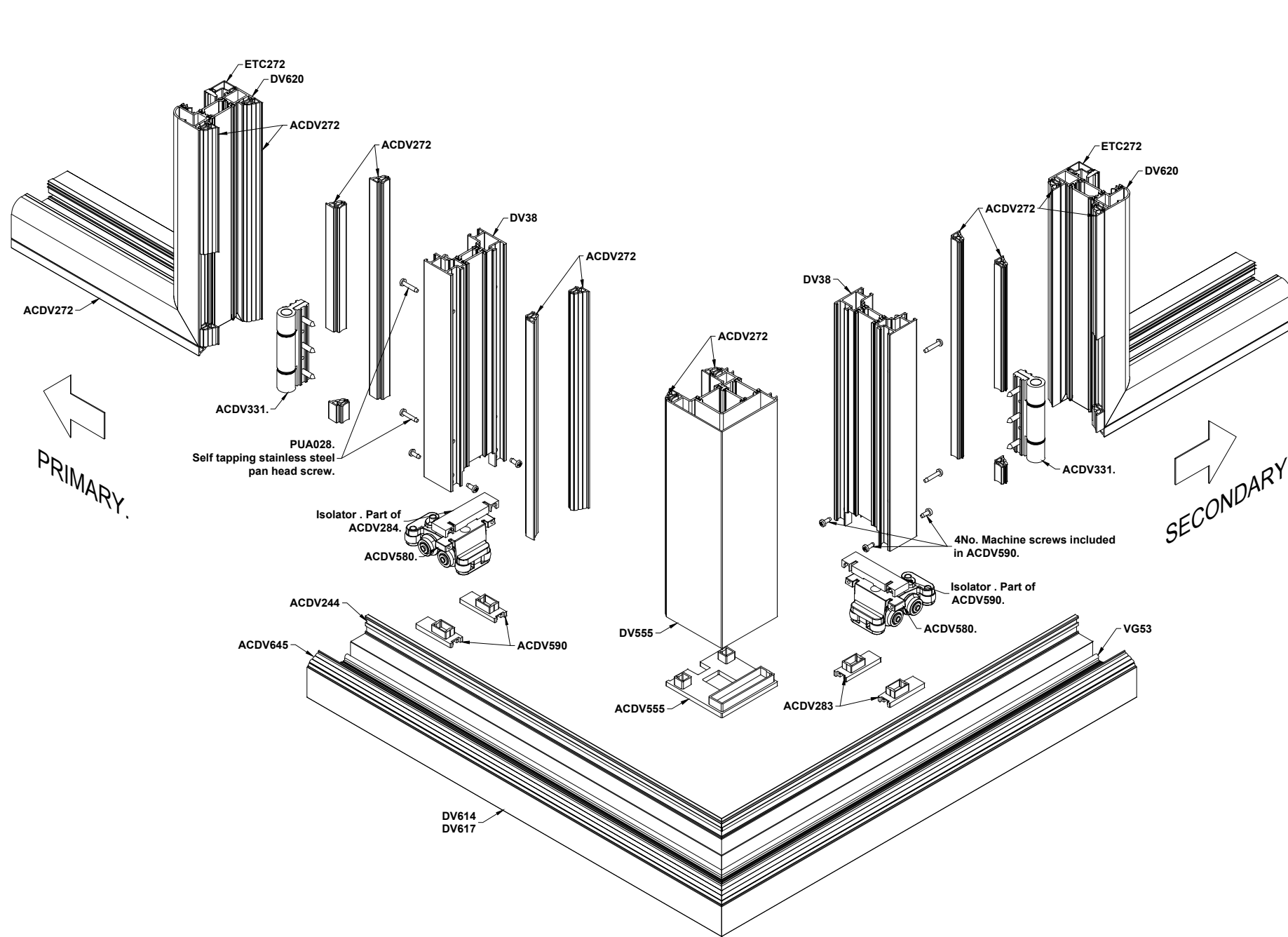
Do Not Scale From This Drawing

DV555 Removable Corner. Type 1.



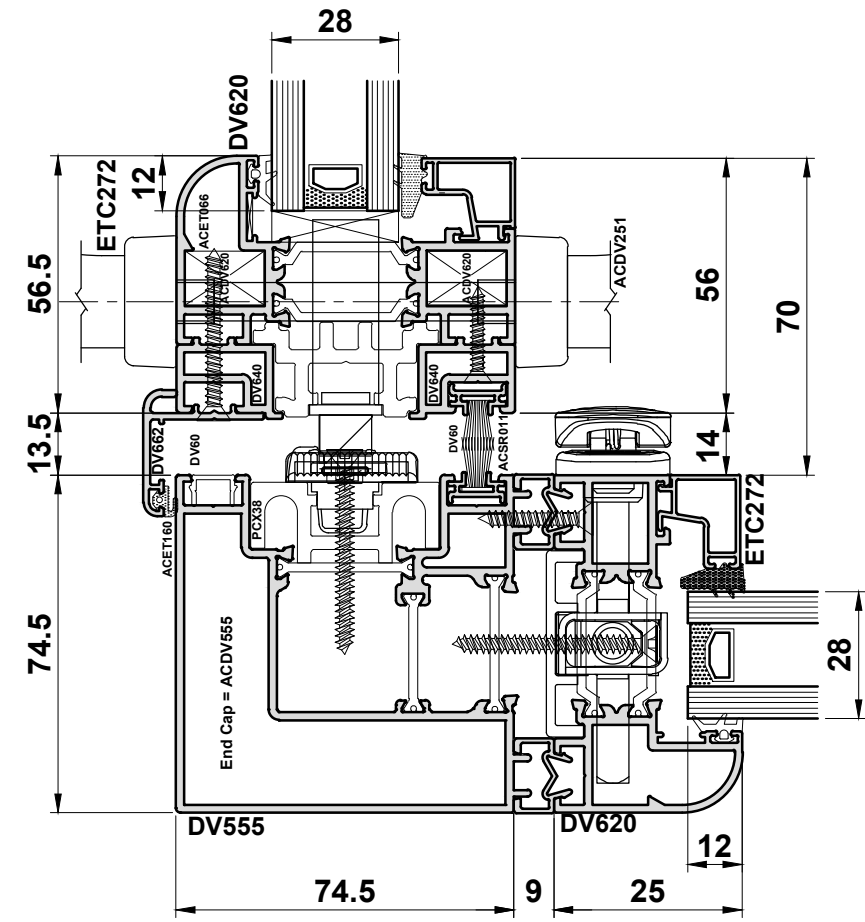
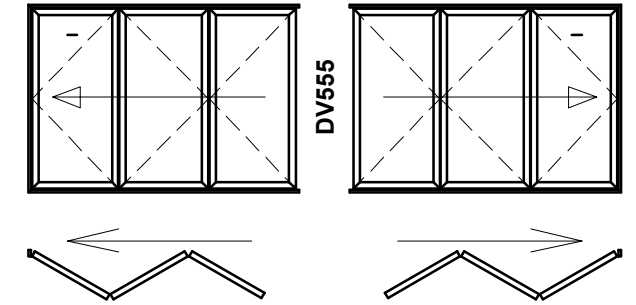
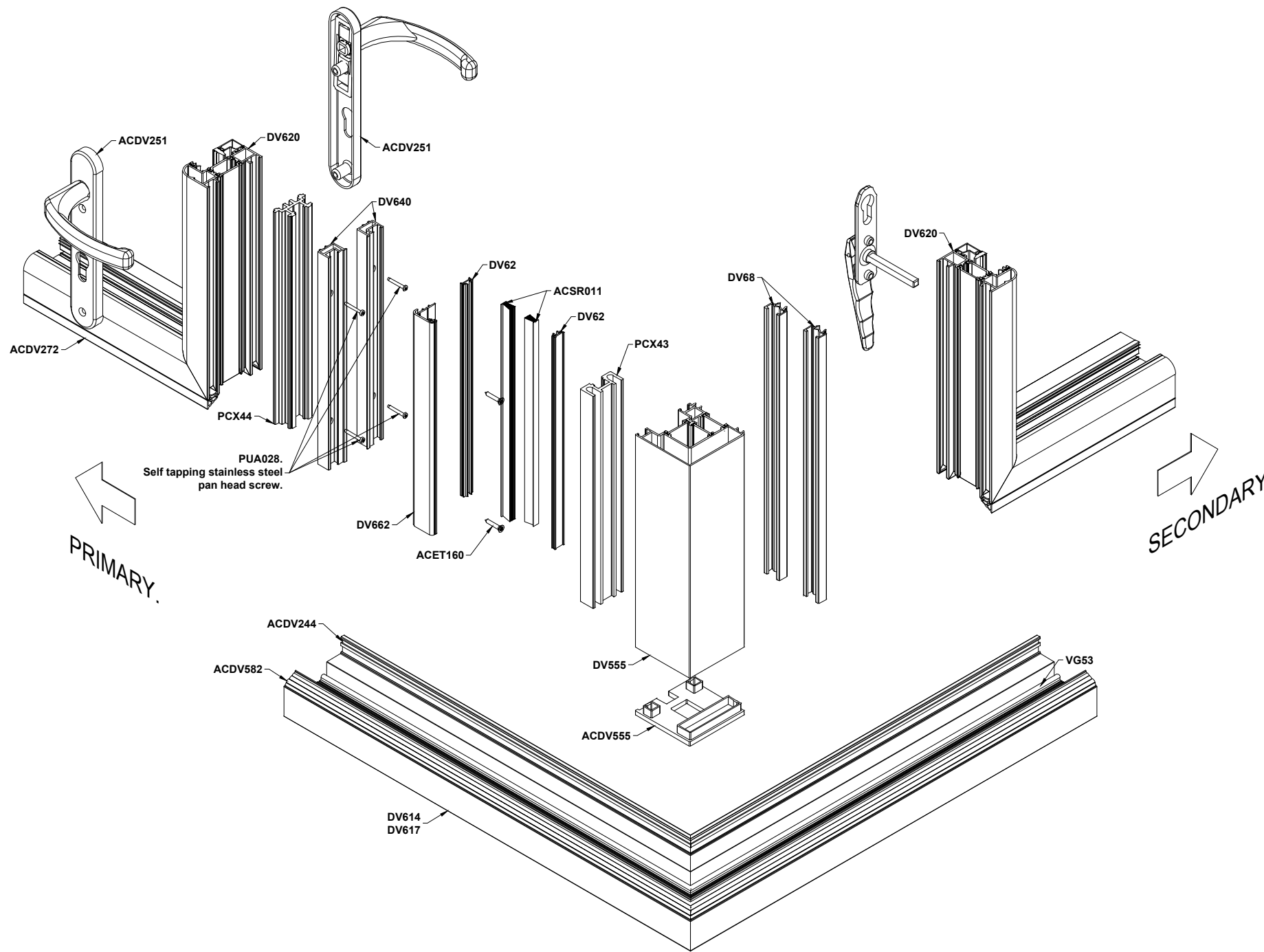
Do Not Scale From This Drawing

DV555 Removable Corner. Type 2.



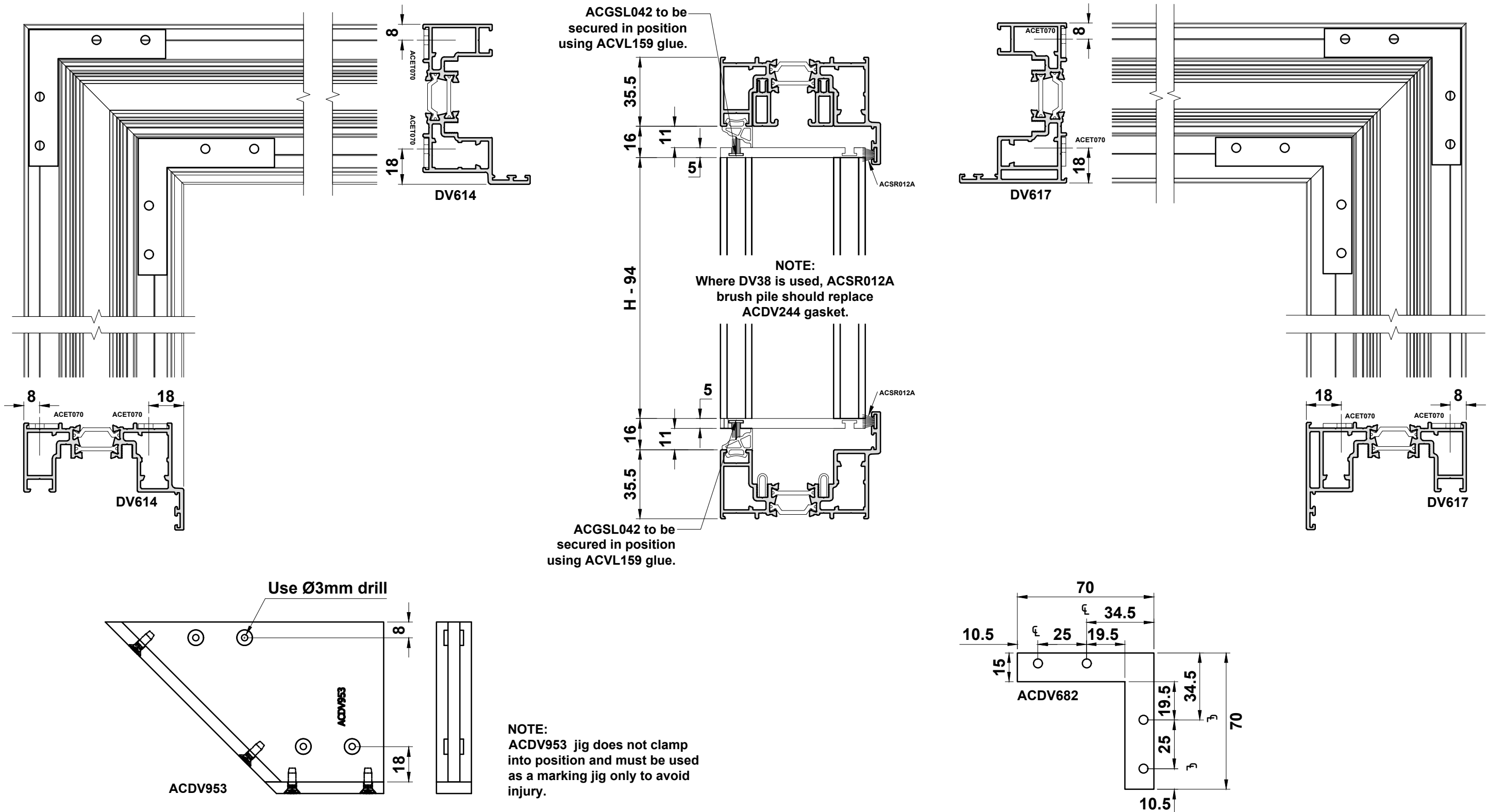
Do Not Scale From This Drawing

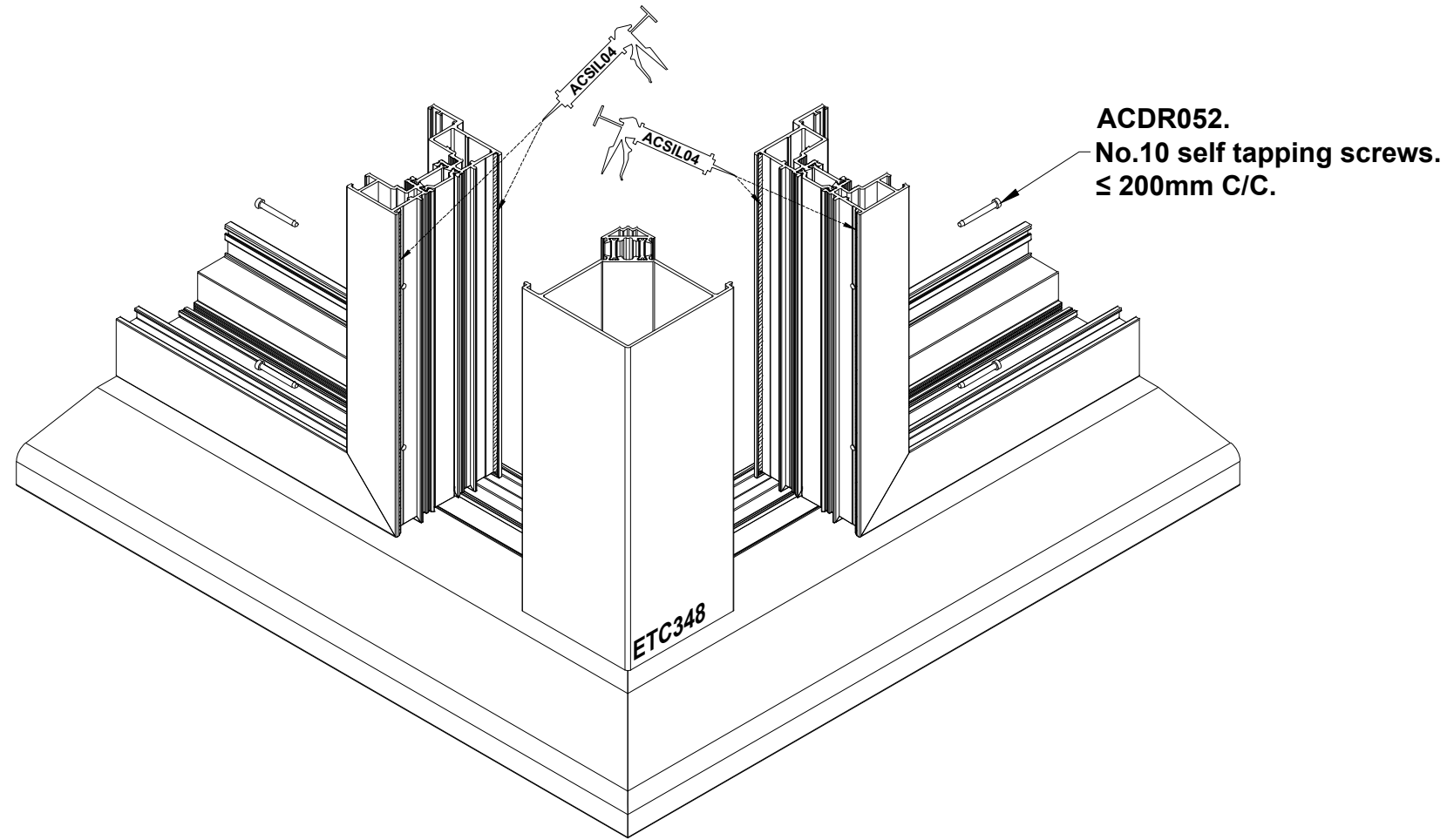
DV555 Removable Corner. Type 3.



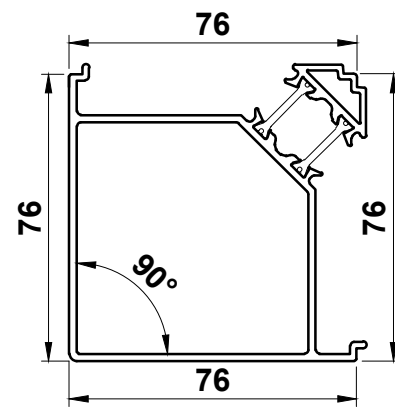
Do Not Scale From This Drawing

Outer Frame 90° Corner Assembly using ACDV682 & ACDV953





ETC348



Scale 1:2

Do Not Scale From This Drawing

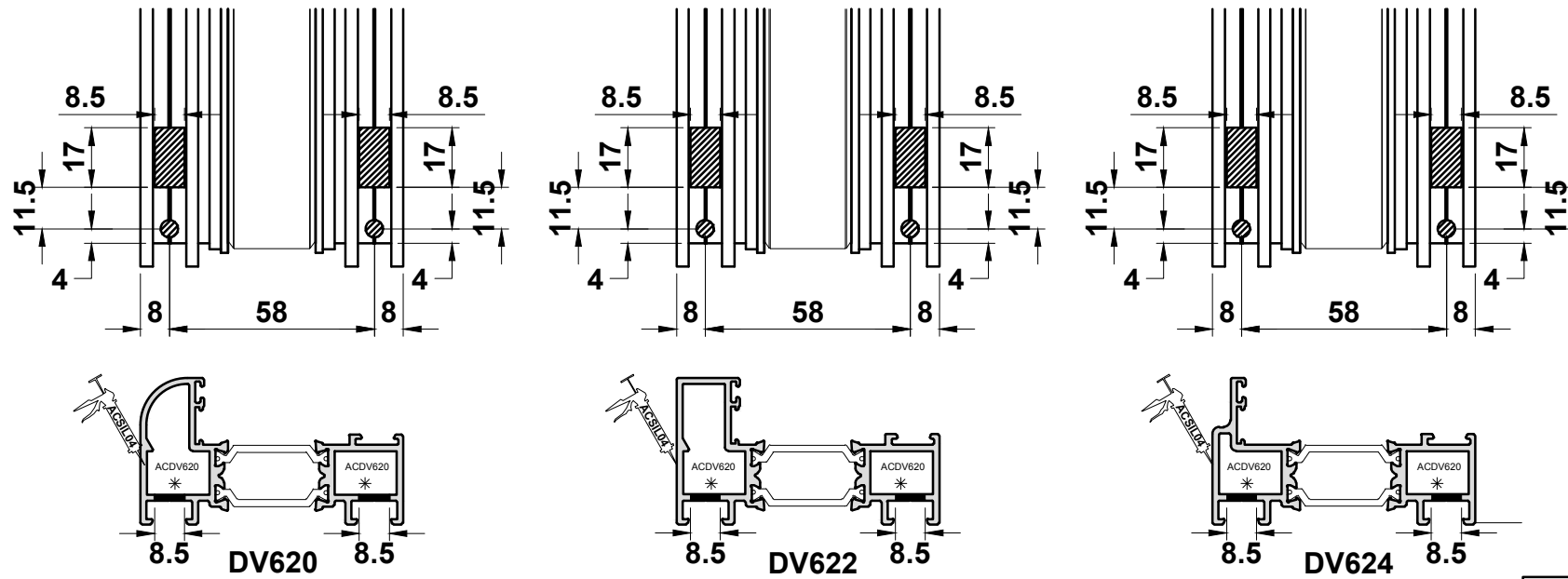
Section E

**Construction Drawings
Open In**

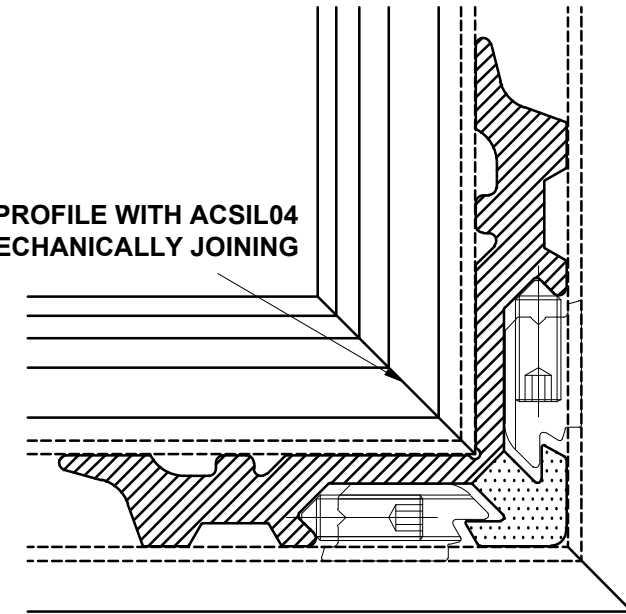
Corner Joint Details.....	Page E37
Drainage.....	Page E38
DV545N & ACDV567 Hinge Installation.....	Page E39
DV545N Double Door Threshold Preparation.....	Page E40
ACDV567 Top Guide Installation.....	Page E41
ACDV566 Bottom Carrier Installation.....	Page E42
Lock and Handle Preparation.....	Page E43 - E50
End Caps for DV622 Rebate Adapter.....	Page E51
DV38 Floating Mullion Preparation with ACDV580.....	Page E52
DV634 Midrail.....	Page E53
Glazing.....	Page E54 - E55
Hinge Location Details.....	Page E56
ACDV275 Gasket Method & Kit Contents.....	Page E57
Magnetic Catches.....	Page E58
ACDV658 90° Door Restrictor.....	Page E59

Do Not Scale From This Drawing

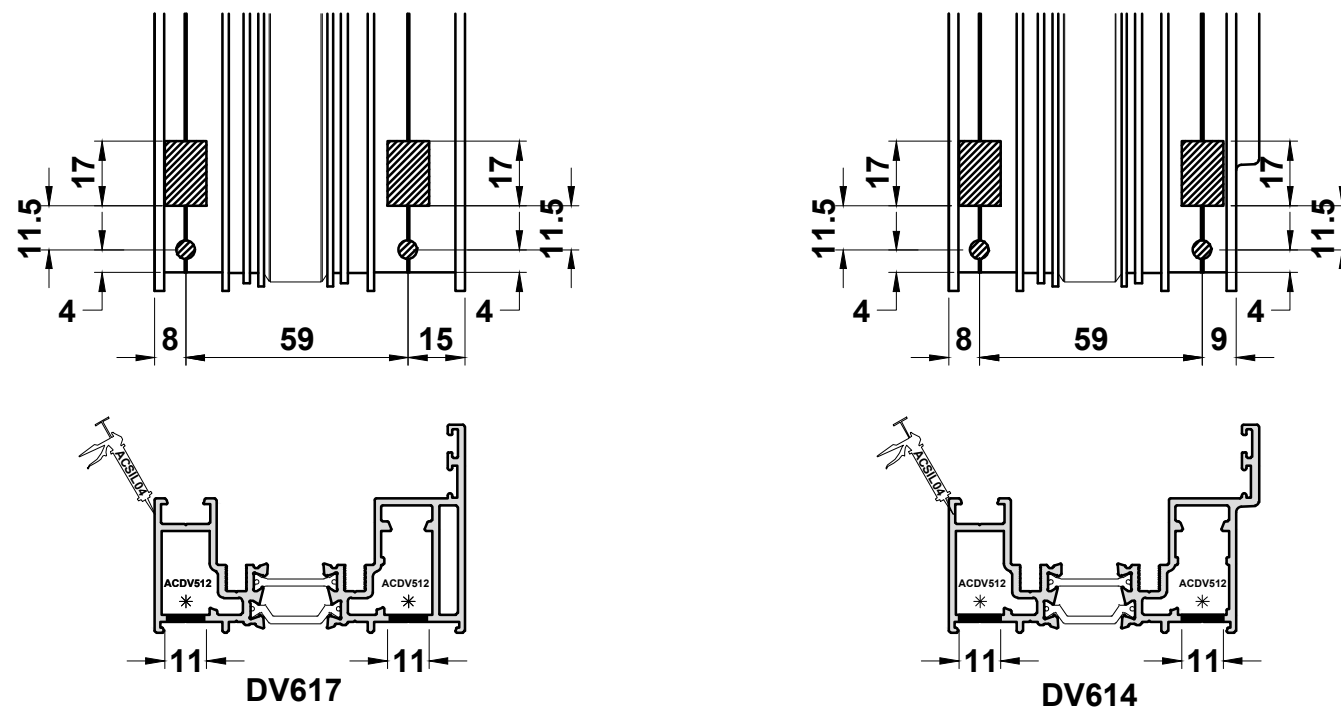
Corner Joint Details



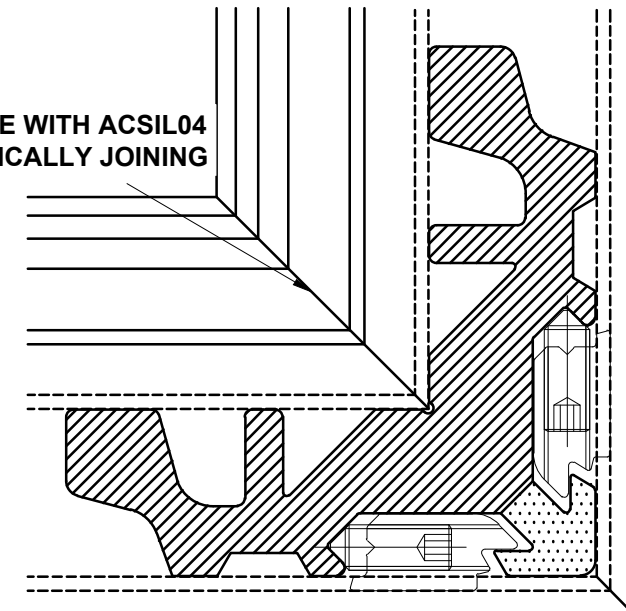
COAT CUT FACE OF PROFILE WITH ACSIL04
PRIOR TO MECHANICALLY JOINING



Note:
ACDV955 PUNCH TOOL MUST BE
USED TO ACHIEVE CLEAT
PREPARATIONS AS SHOWN.



COAT CUT FACE OF PROFILE WITH ACSIL04
PRIOR TO MECHANICALLY JOINING



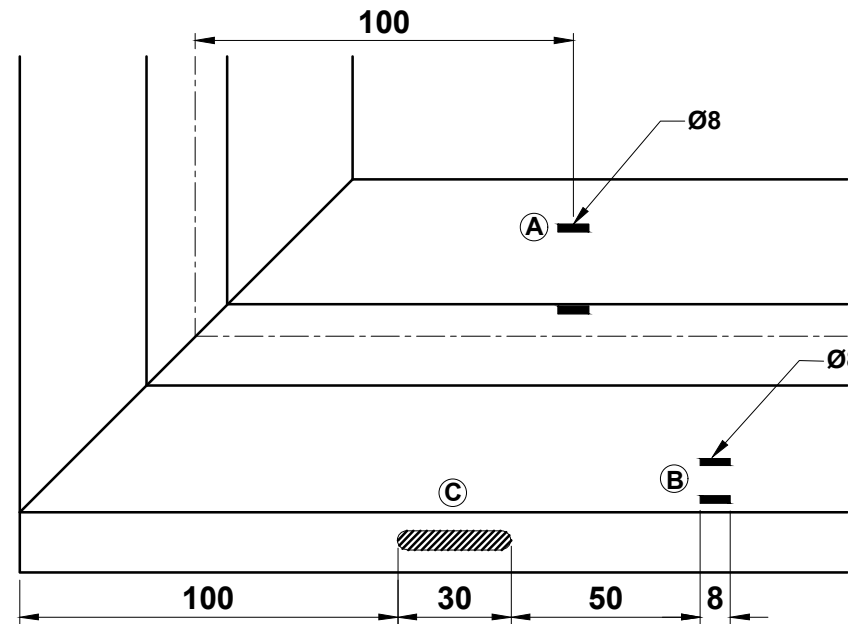
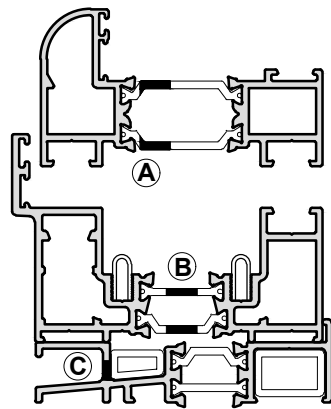
APPLY GLUE (ACSIL013) TO CLEAT APERTURE MARKED *

Do Not Scale From This Drawing

Drainage

Important Note:

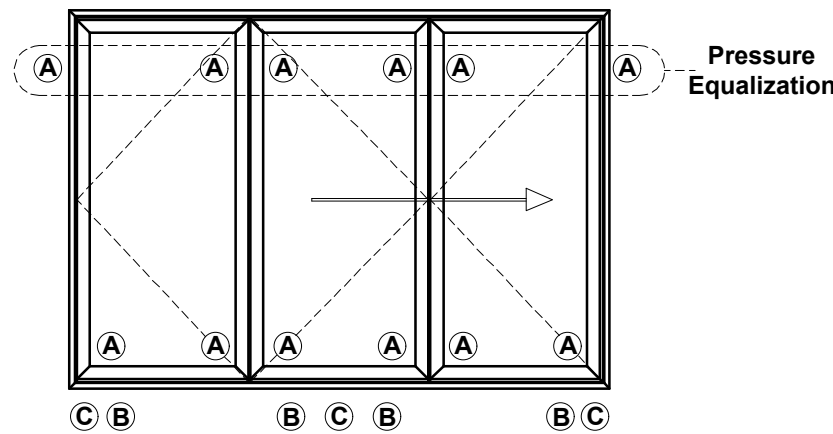
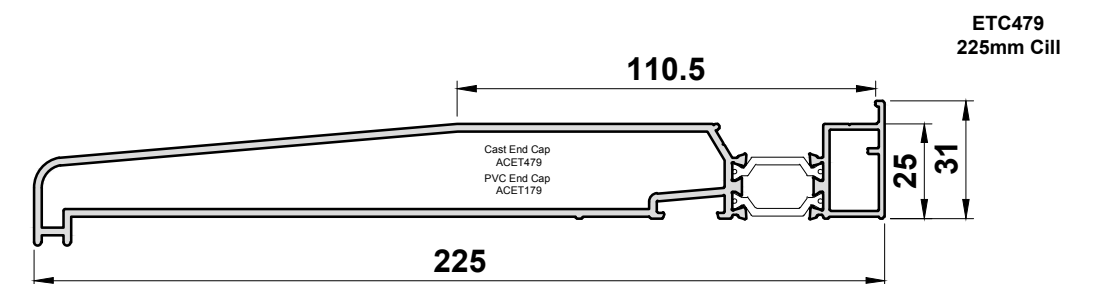
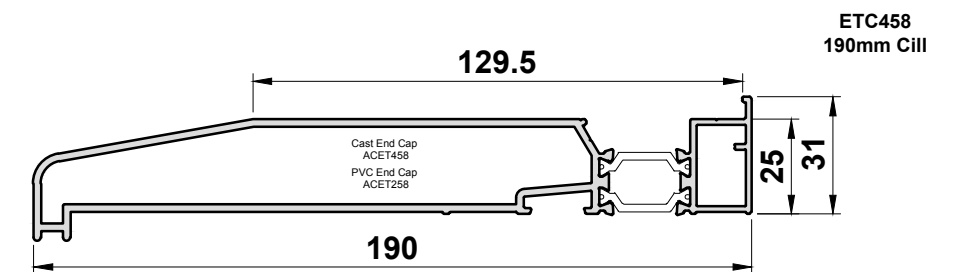
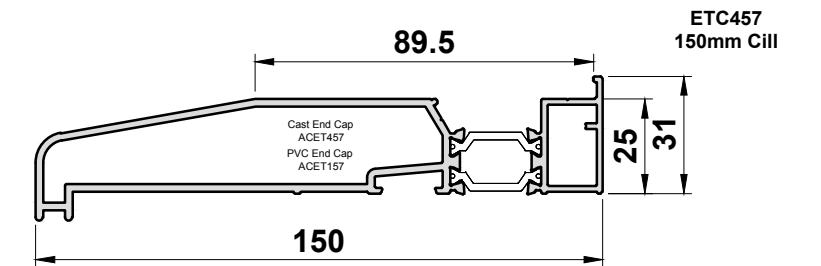
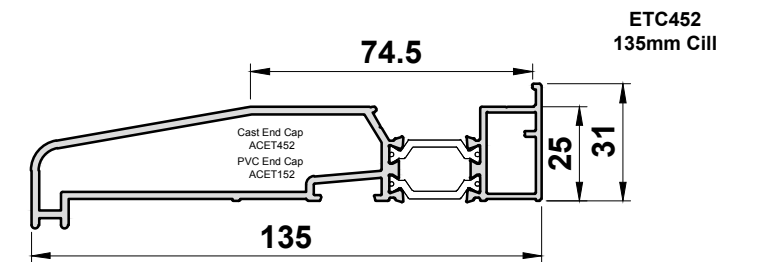
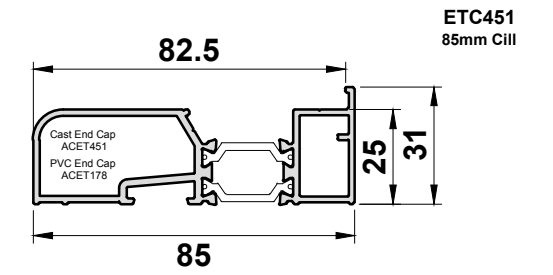
The drainage details shown below are a minimum requirement. The quantity of drainage slots shall be increased as required to suit specific site requirements. All Visofold 6000 doors must have either a flush cill (DV570/DV670) or extruded sub cill as detailed.



Open in door viewed from outside.

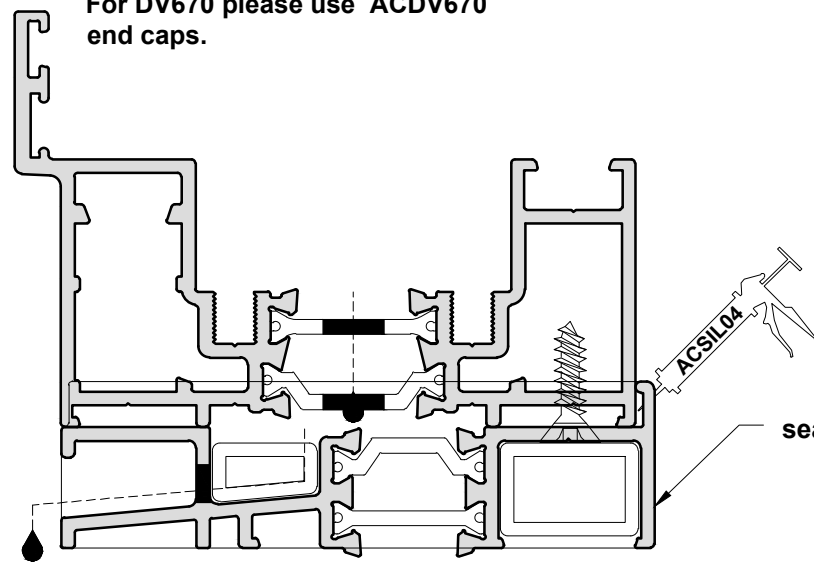
Note:

All doors must have either flush cill (DV570/DV670) or extruded sub cill as below. See page E05 for sub cill drainage.



Note:

For DV670 please use ACDV670 end caps.

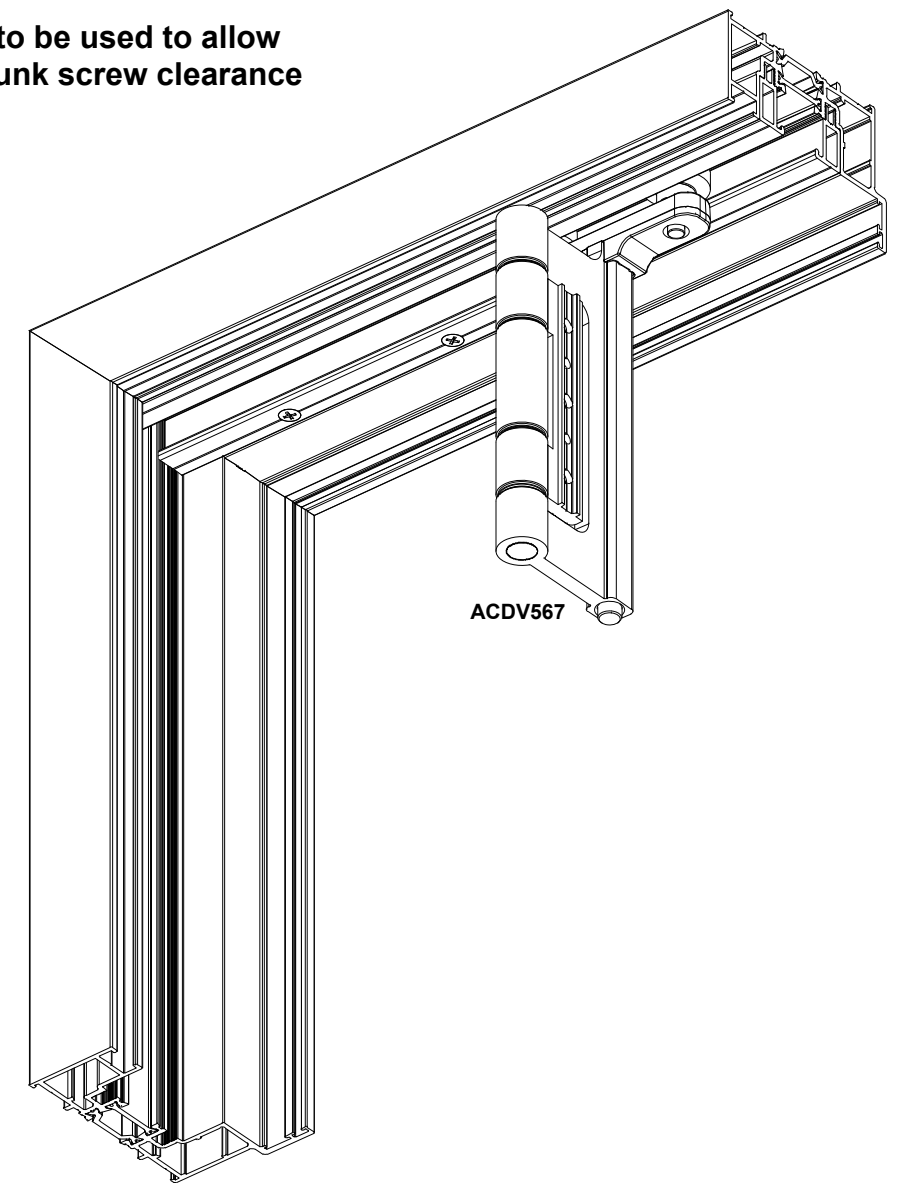
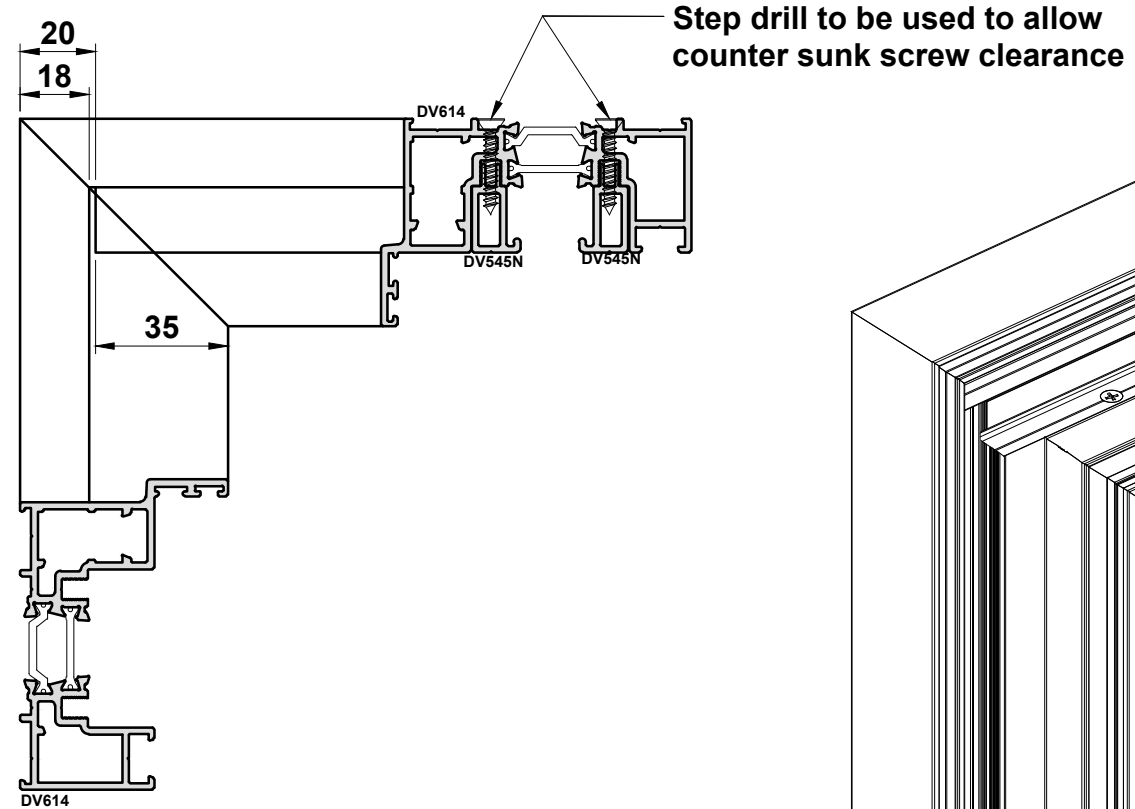
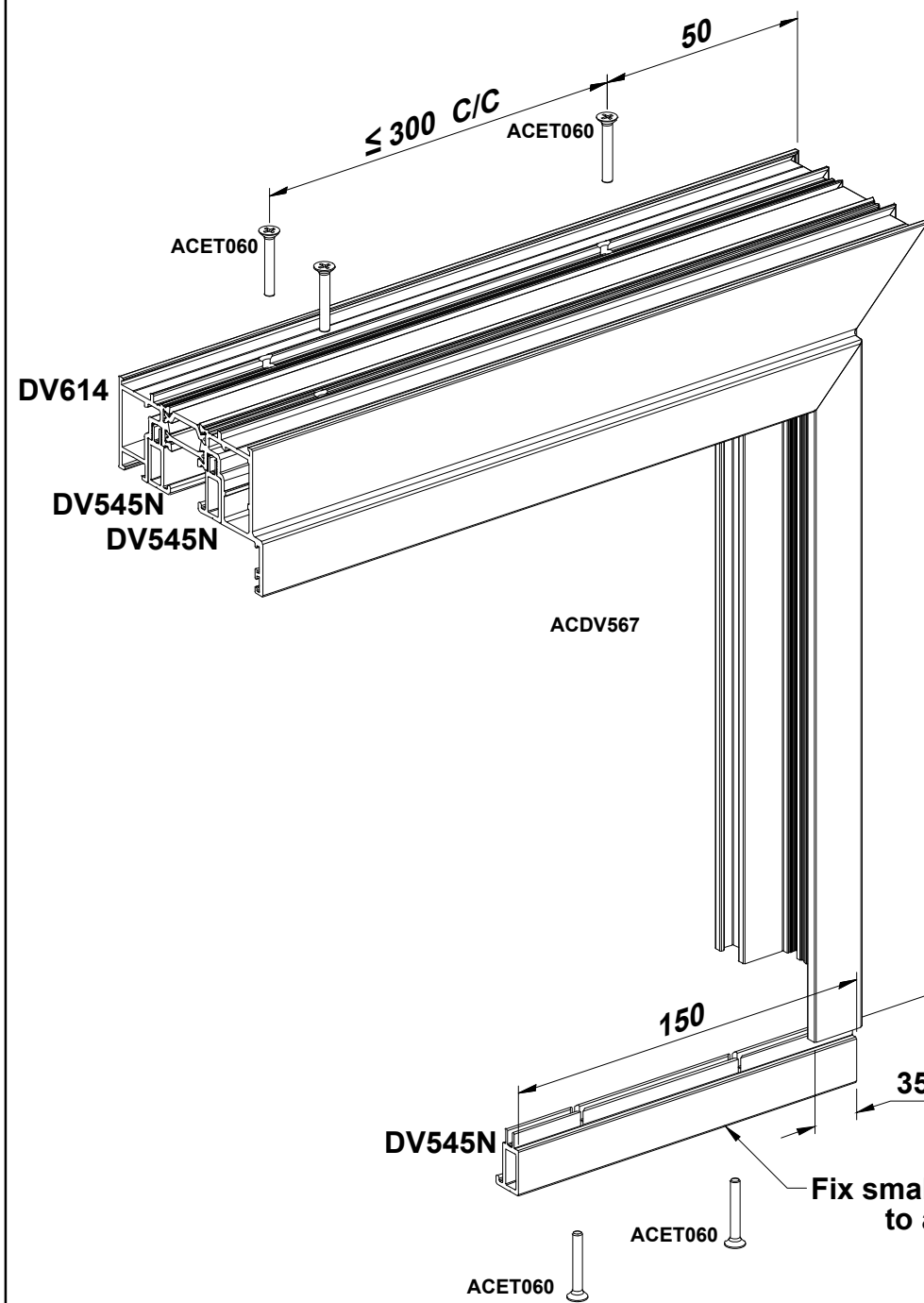


DV570 Shown with ACDV570 end cap

Cill end caps must be sealed to cill to prevent water egress over edge

Do Not Scale From This Drawing

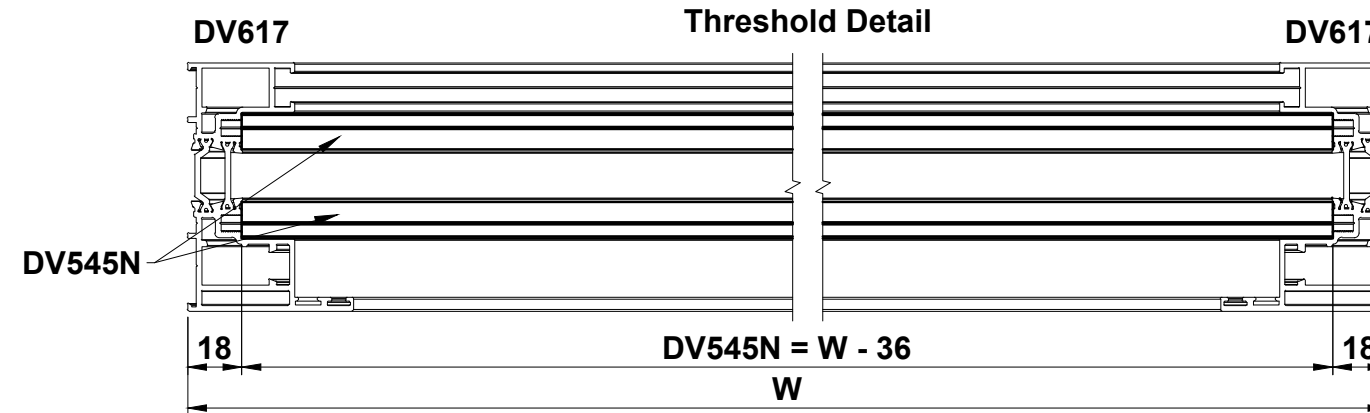
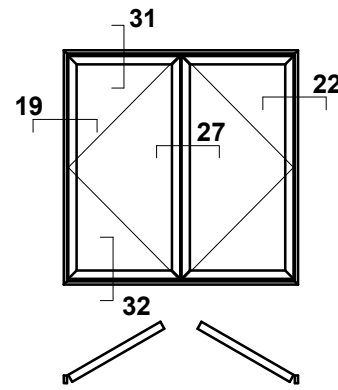
DV545N & ACDV567 Top Guide Installation



Fix small section of DV545N from sash side to allow for ACDV581 installation

DV545N Double Door Threshold Preparation

Double Swing Door

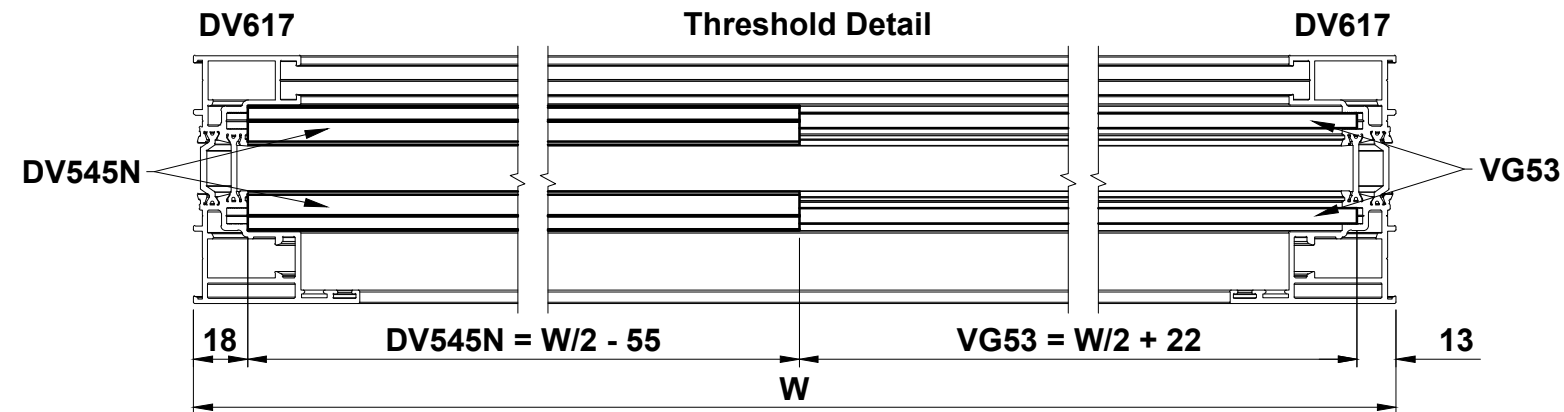
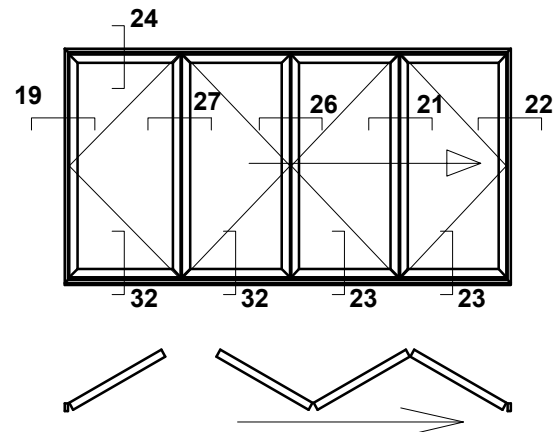


Note:

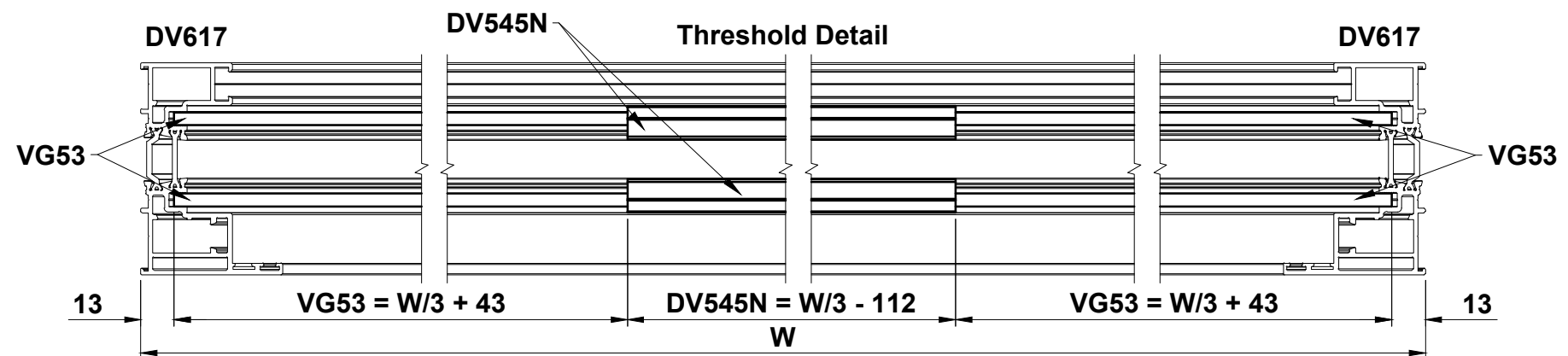
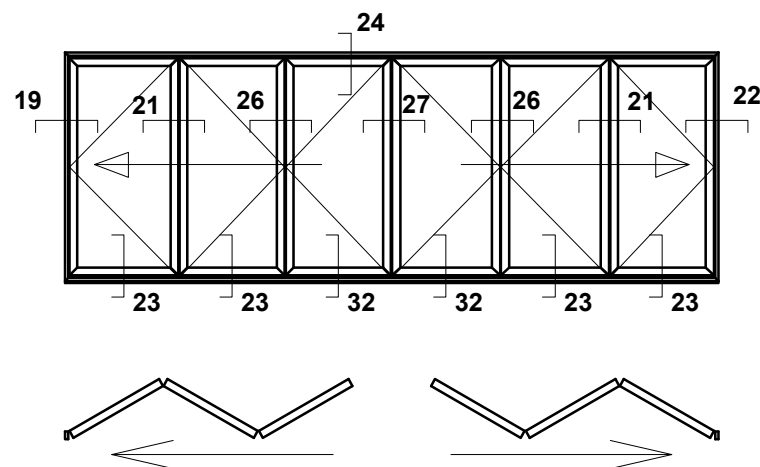
DV545N is required at the bottom of double doors to secure the keep.

All dimensions on this page are shown based on all sashes being equal width.

Type 4i



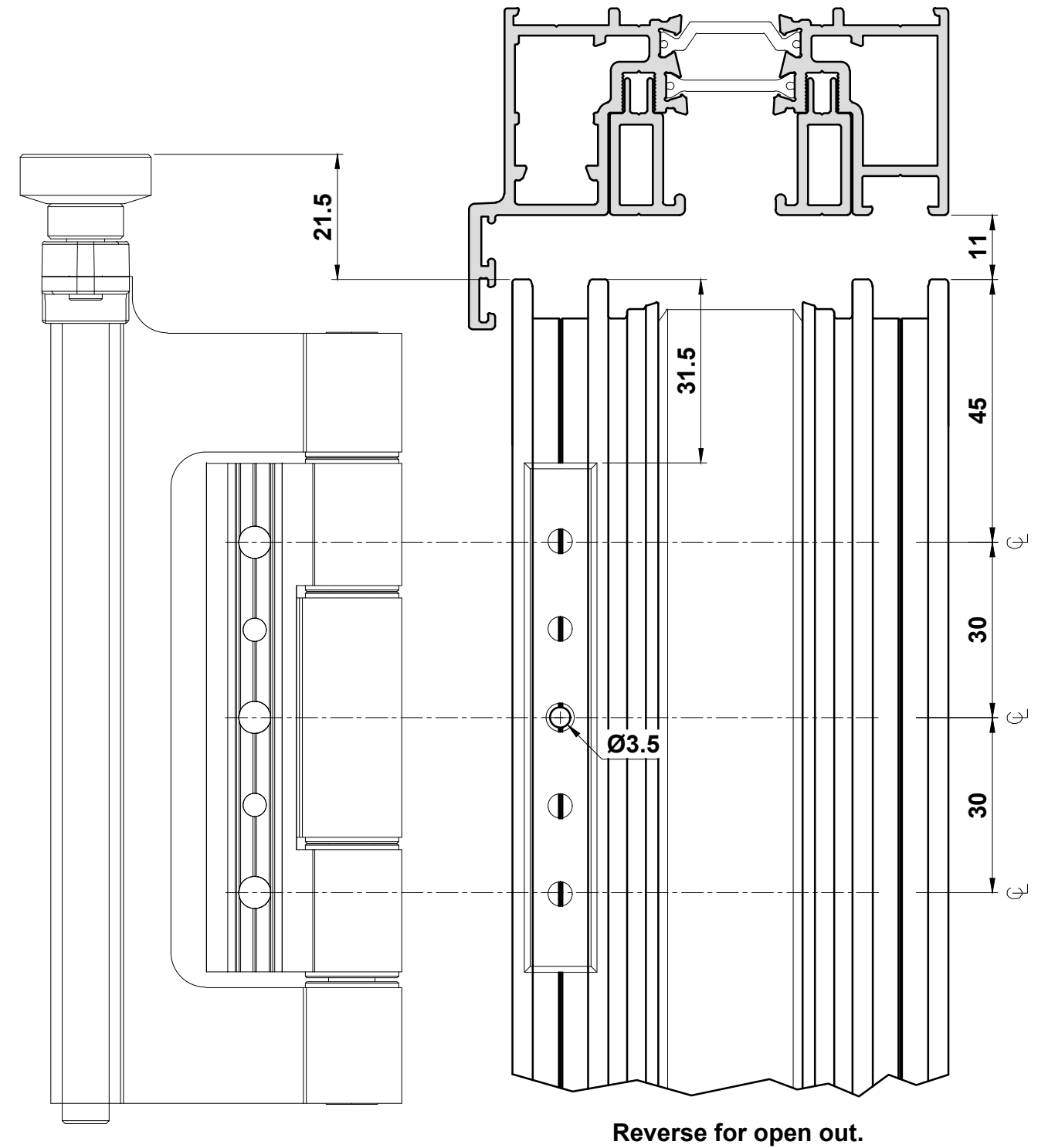
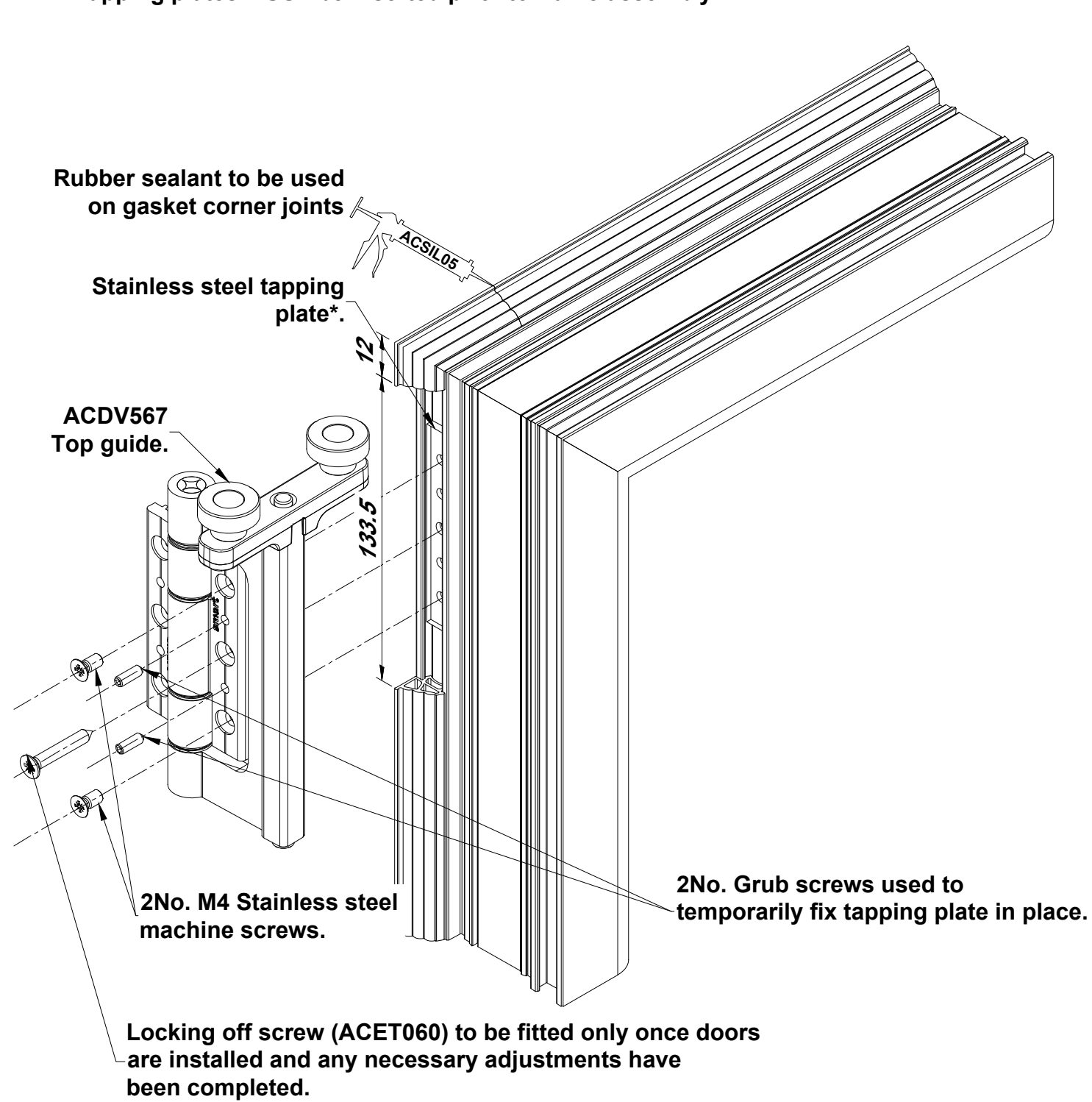
Type 7i



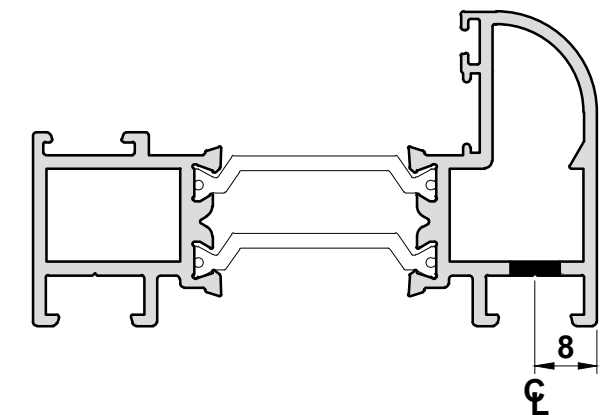
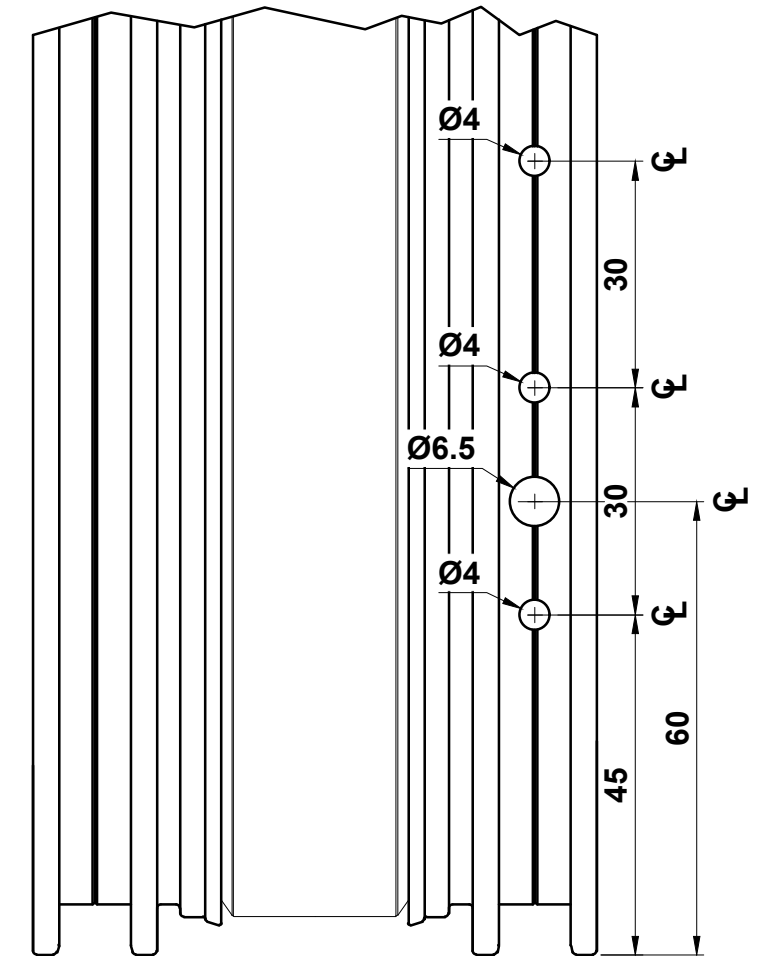
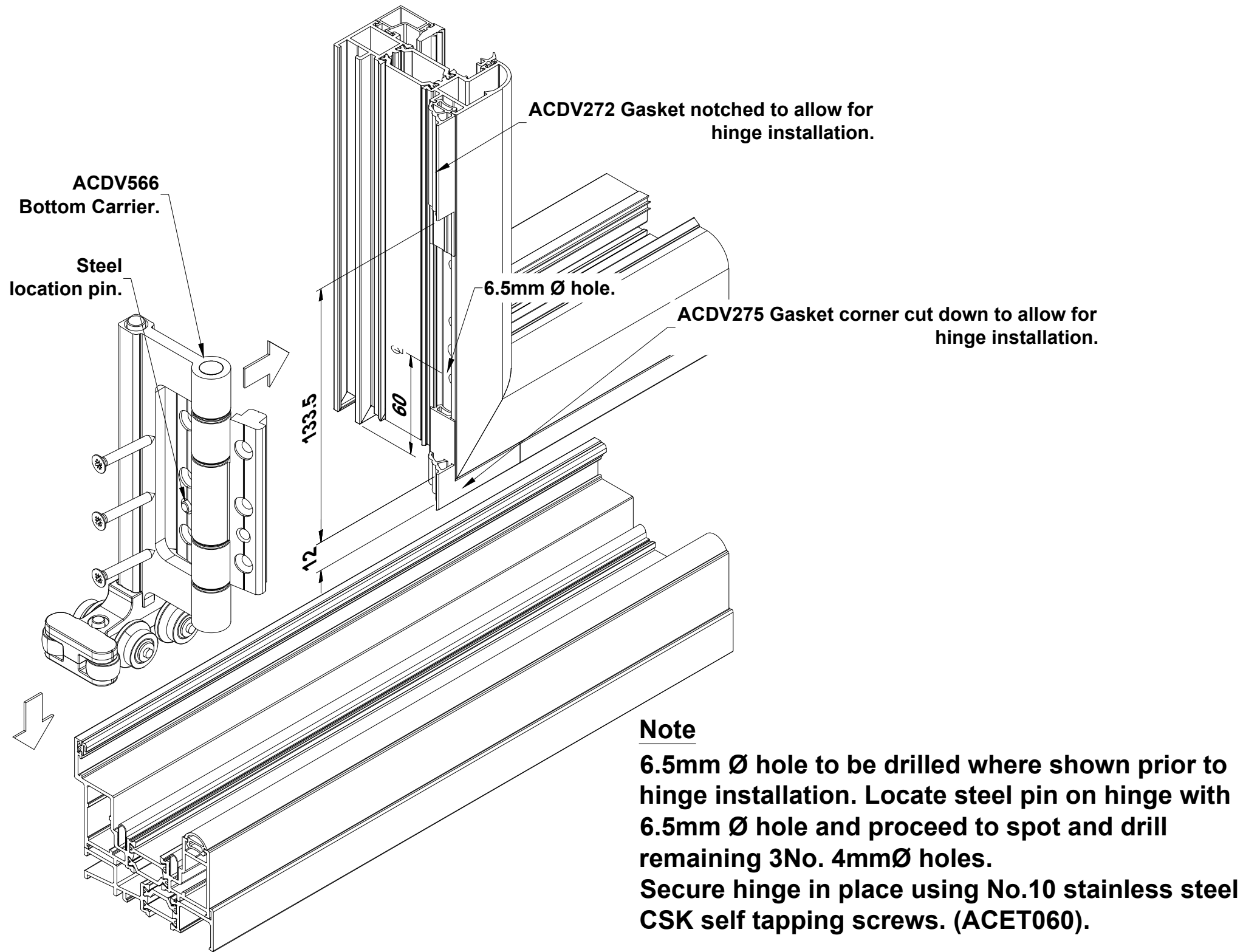
Do Not Scale From This Drawing

ACDV567 Top Guide

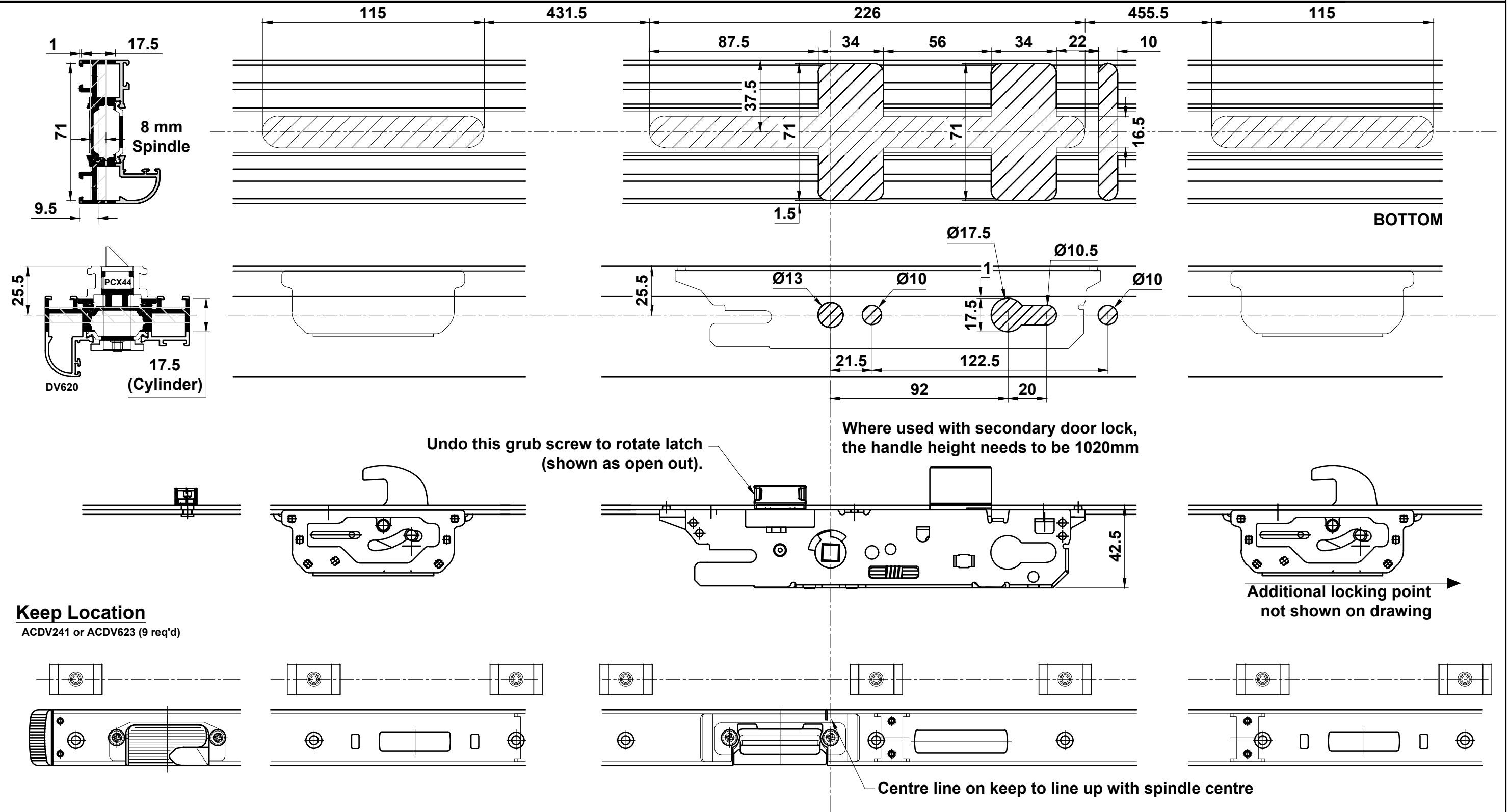
* Tapping plates **MUST** be inserted prior to frame assembly.



ACDV566 Bottom Carrier

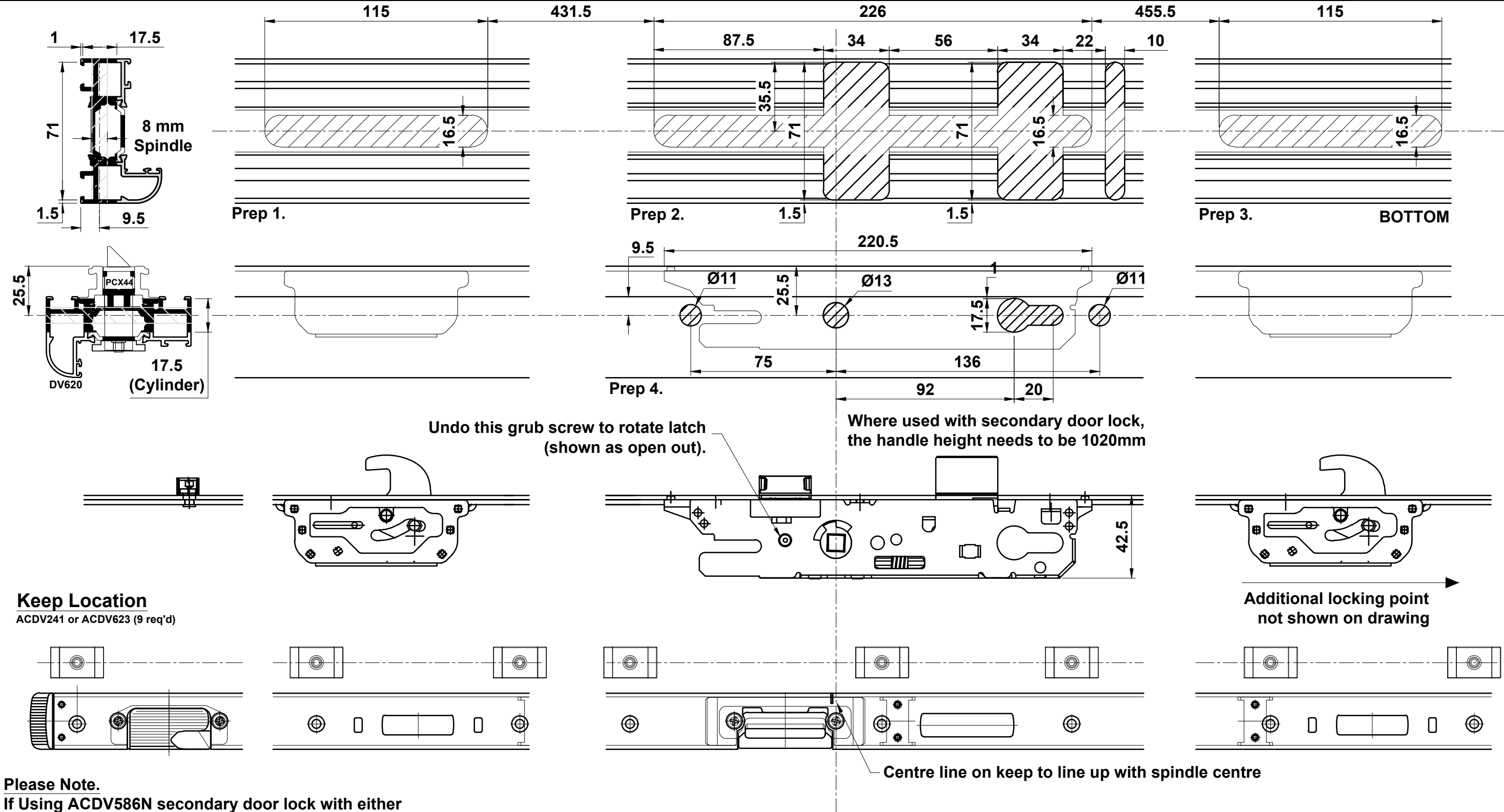


ACDV576 & ACDV577 Preparation with ACDV251 Handle



Do Not Scale From This Drawing

ACDV576 & ACDV577 LOCK Preparation with ACET486 & ACSM006 Handle



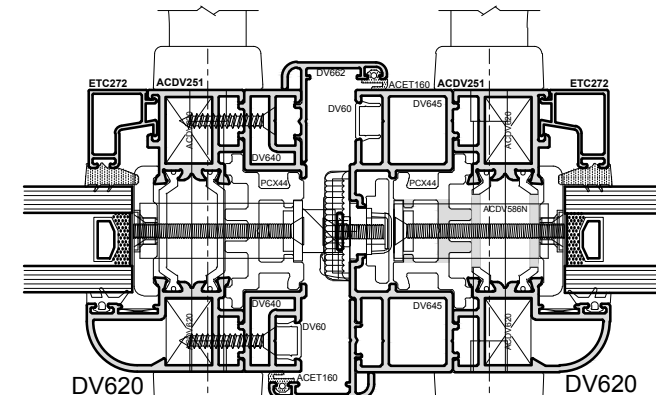
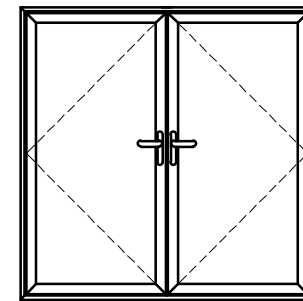
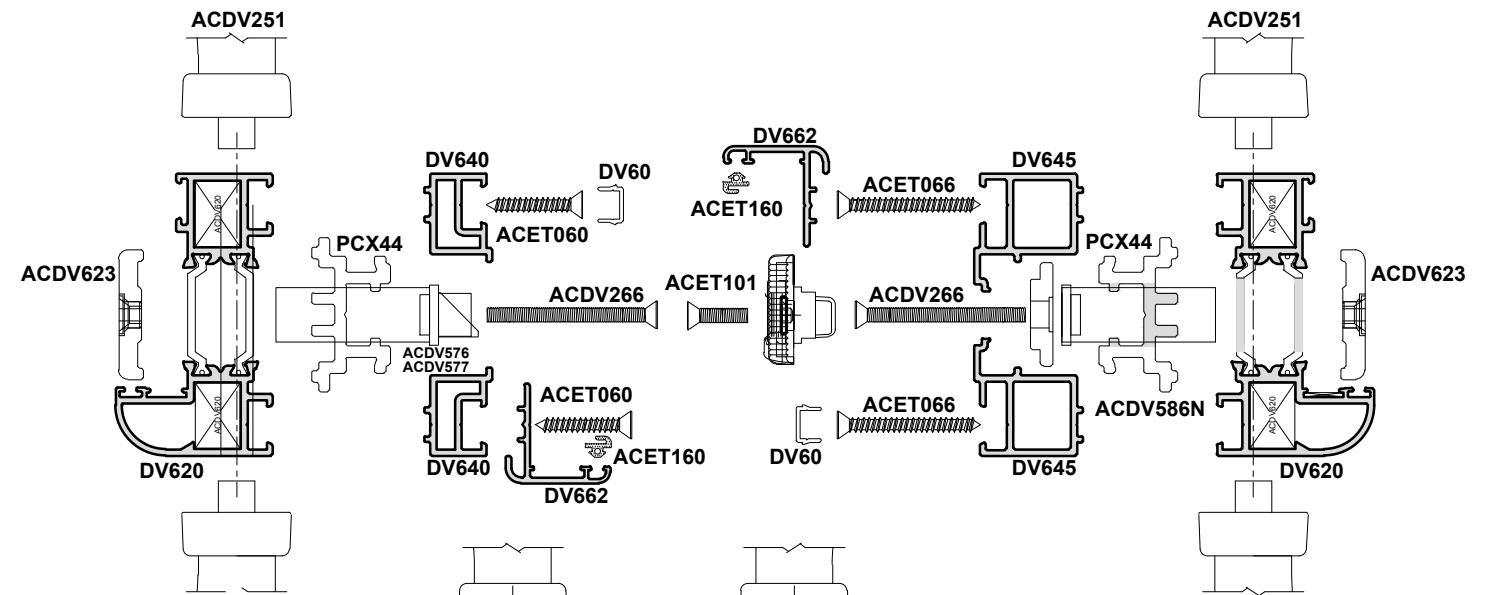
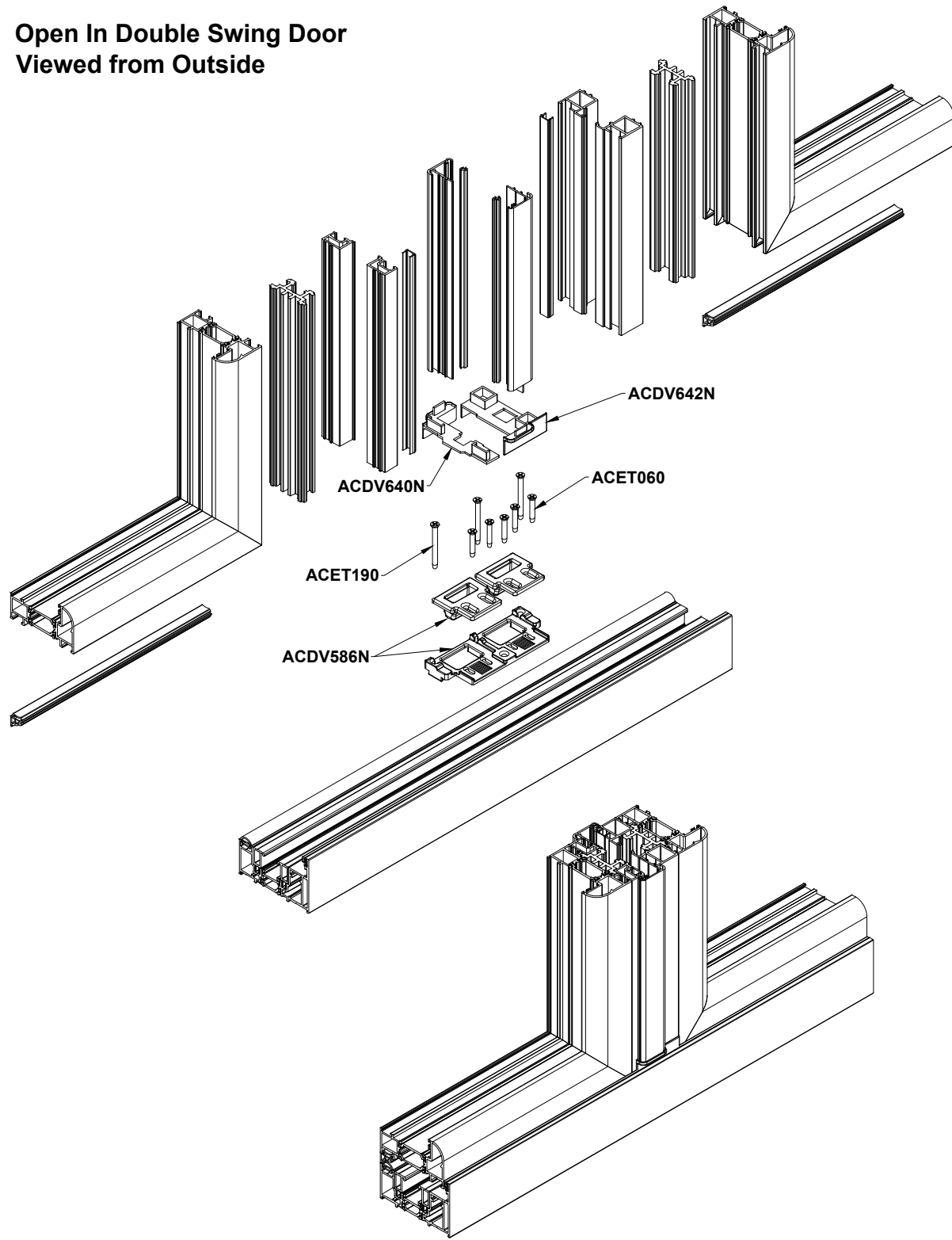
Keep Location
ACDV241 or ACDV623 (9 req'd)

Please Note.
If Using ACDV586N secondary door lock with either
ACDV486 or ACSM006 handles, please refer to prep 2 and 4 only .

Do Not Scale From This Drawing

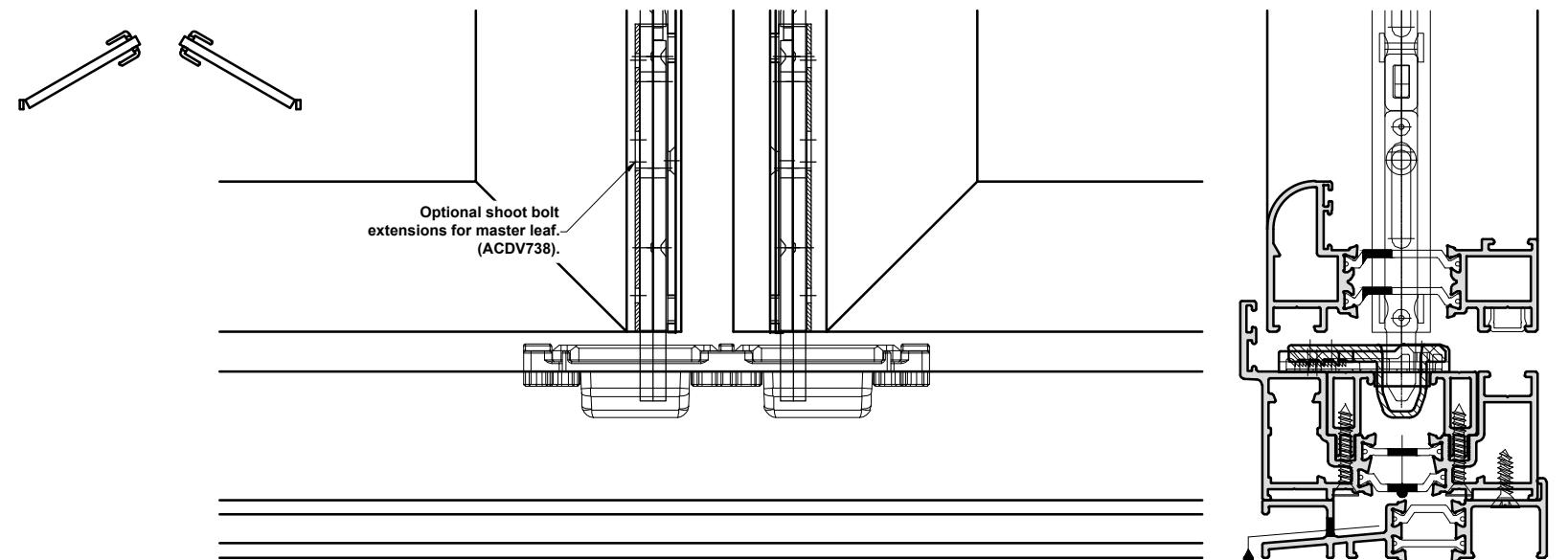
Double Door Overview

Open In Double Swing Door
Viewed from Outside



Primary leaf

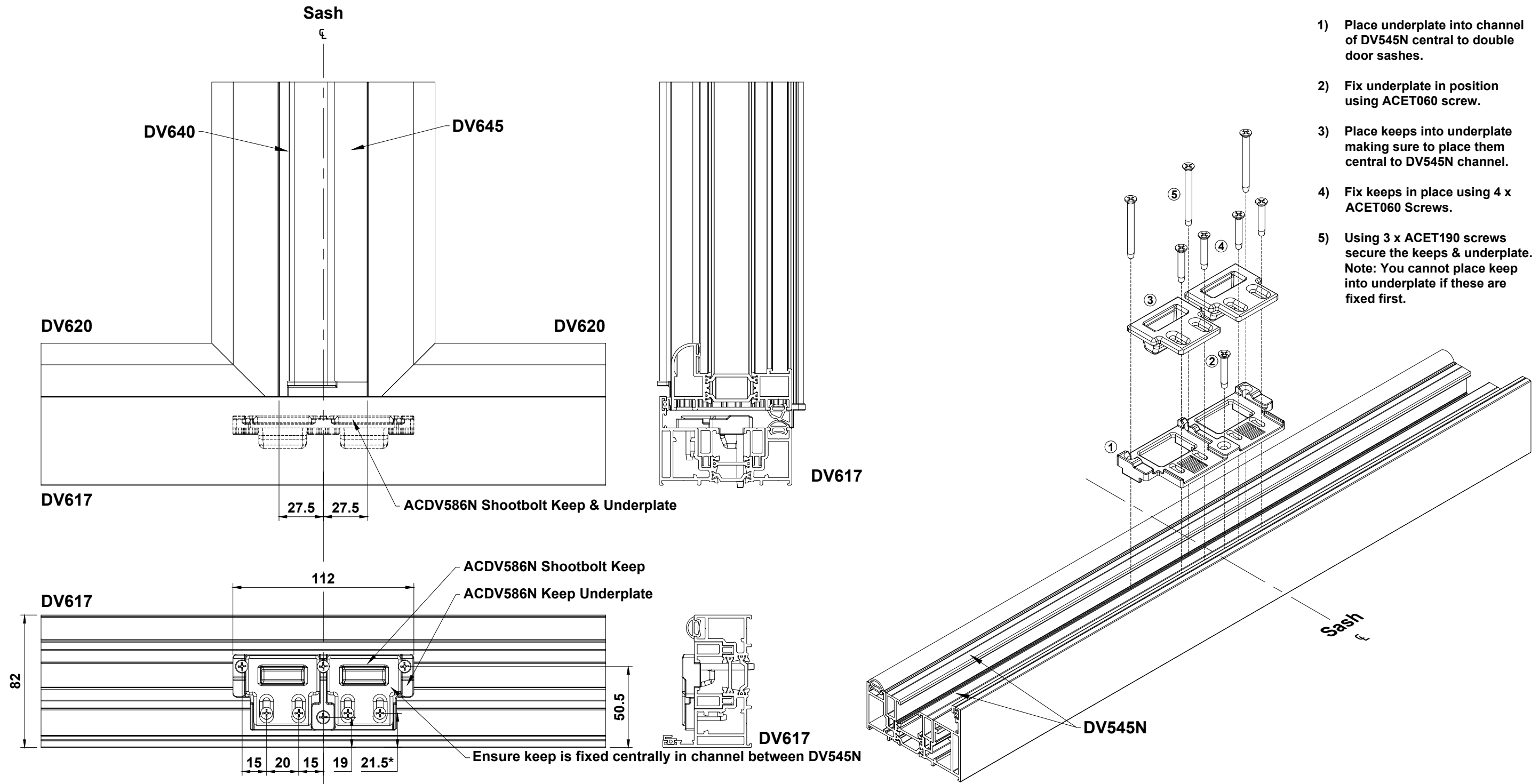
Secondary leaf



Optional shoot bolt
extensions for master leaf.
(ACDV738).

Do Not Scale From This Drawing

ACDV586N Shoot Bolt Keep Location and Assembly

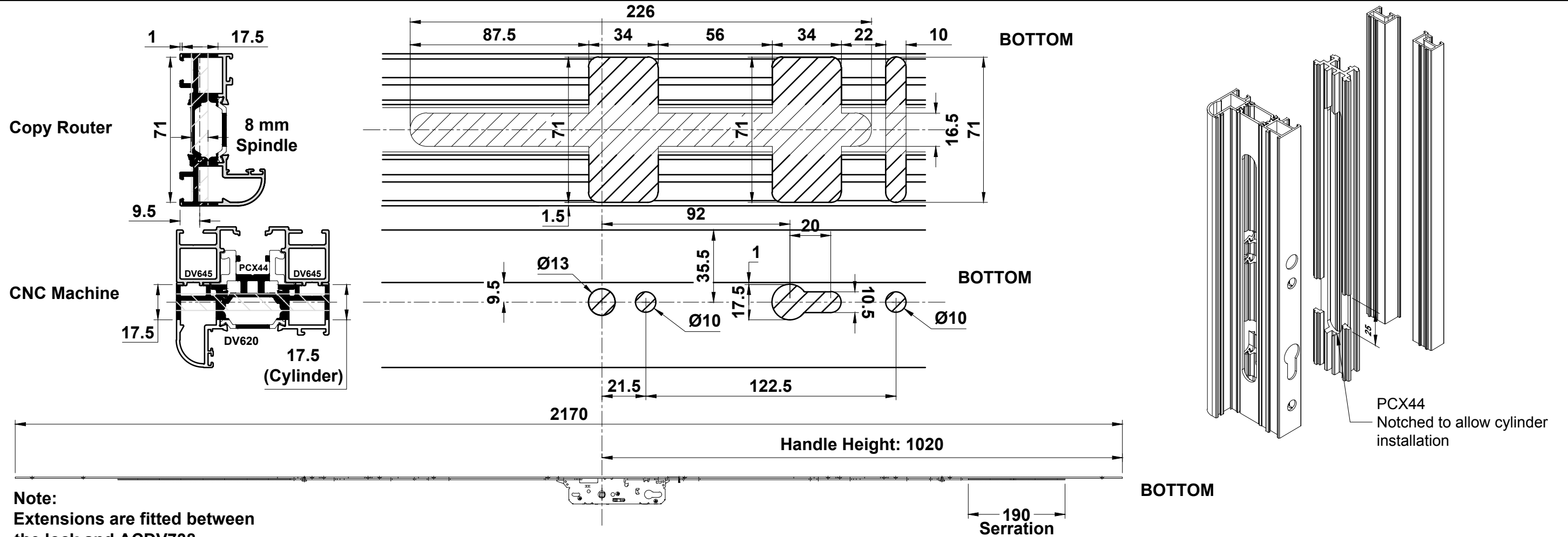


- 1) Place underplate into channel of DV545N central to double door sashes.
- 2) Fix underplate in position using ACET060 screw.
- 3) Place keeps into underplate making sure to place them central to DV545N channel.
- 4) Fix keeps in place using 4 x ACET060 Screws.
- 5) Using 3 x ACET190 screws secure the keeps & underplate.
Note: You cannot place keep into underplate if these are fixed first.

* Position may vary in order to get keep centrally aligned to DV545N. It is recommended that ACET060 screws fix directly into the outer frame to get a stronger fixing where possible.

Do Not Scale From This Drawing

ACDV586N Secondary Door Lock



Note:
Extensions are fitted between the lock and ACDV738 shoot bolt.

Maximum overall door height (mm) including outer frame:

Without Extension	ACDV742 200mm Extension	ACDV744 400mm Extension
2229	2429*	2629*

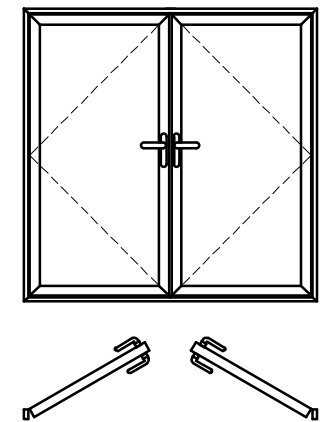
DV614/DV617 Standard Threshold

*Maximum sash height is 2200mm. Sizes shown here only indicate sizes with extensions.
**Minimum cut off positions are required to fit the shoot bolts.



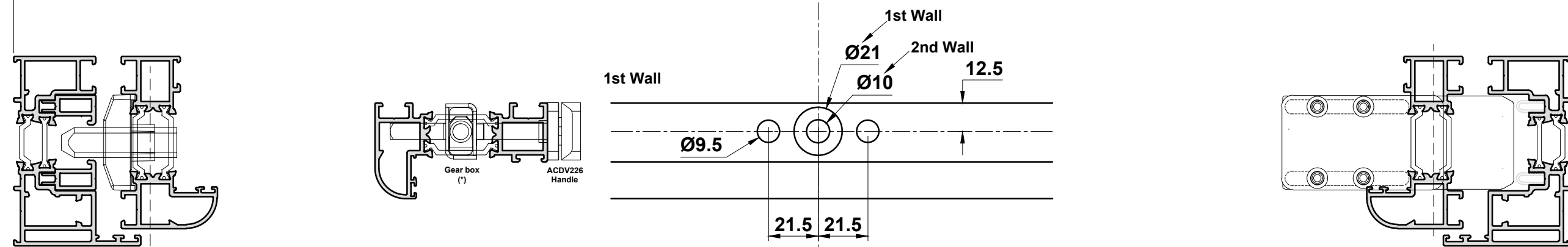
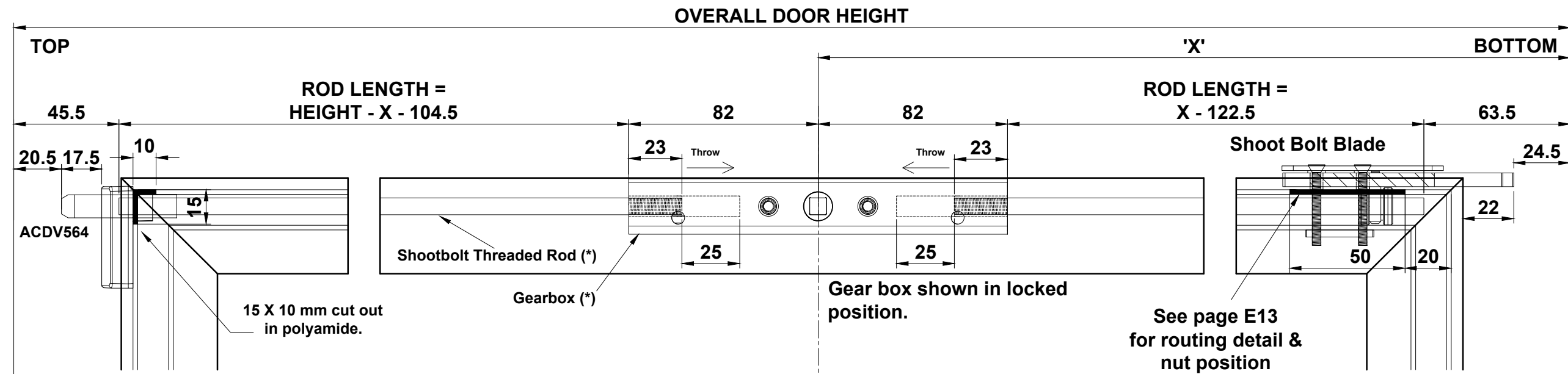
Max Cut Off In Opening Position

Min Cut Off In Opening Position**

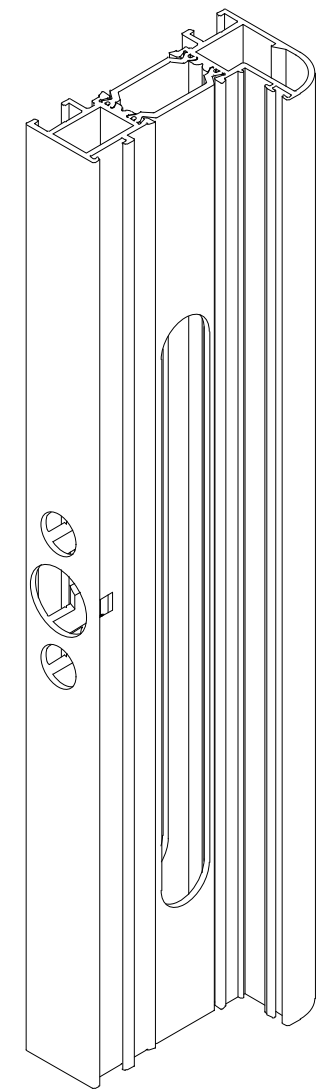
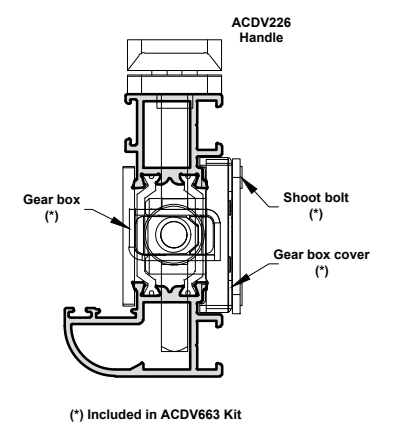
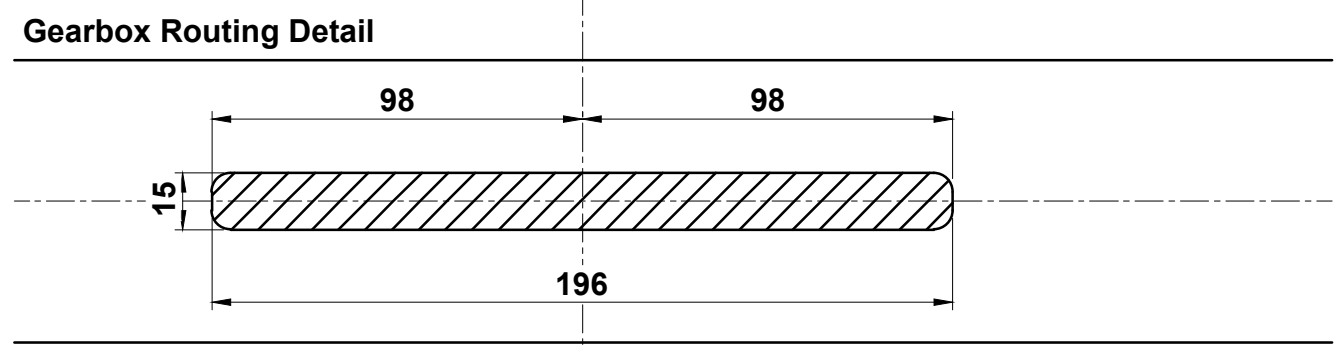


Do Not Scale From This Drawing

ACDV663 Shootbolt Preparation with ACDV226 Handle



- ACDV663 Kit Contains:**
- 1 x Gearbox
 - 1 x Gearbox Cover
 - 2 x Shootbolt Threaded Rods
 - 1 x Shootbolt Blade
 - 1 x Shootbolt Blade Guide
 - 1 x Shootbolt Tip
 - 1 x Shootbolt Fixing Plate

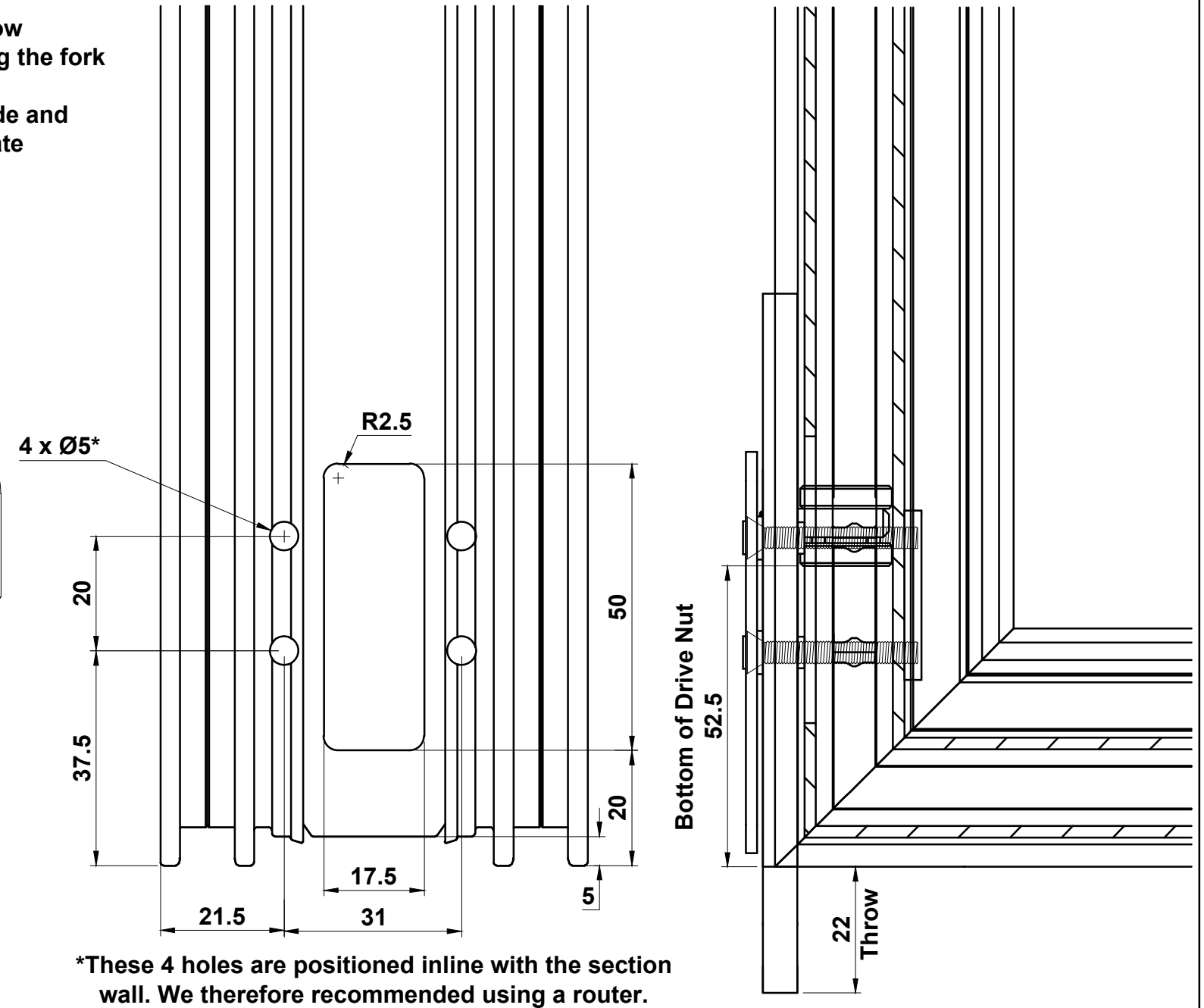
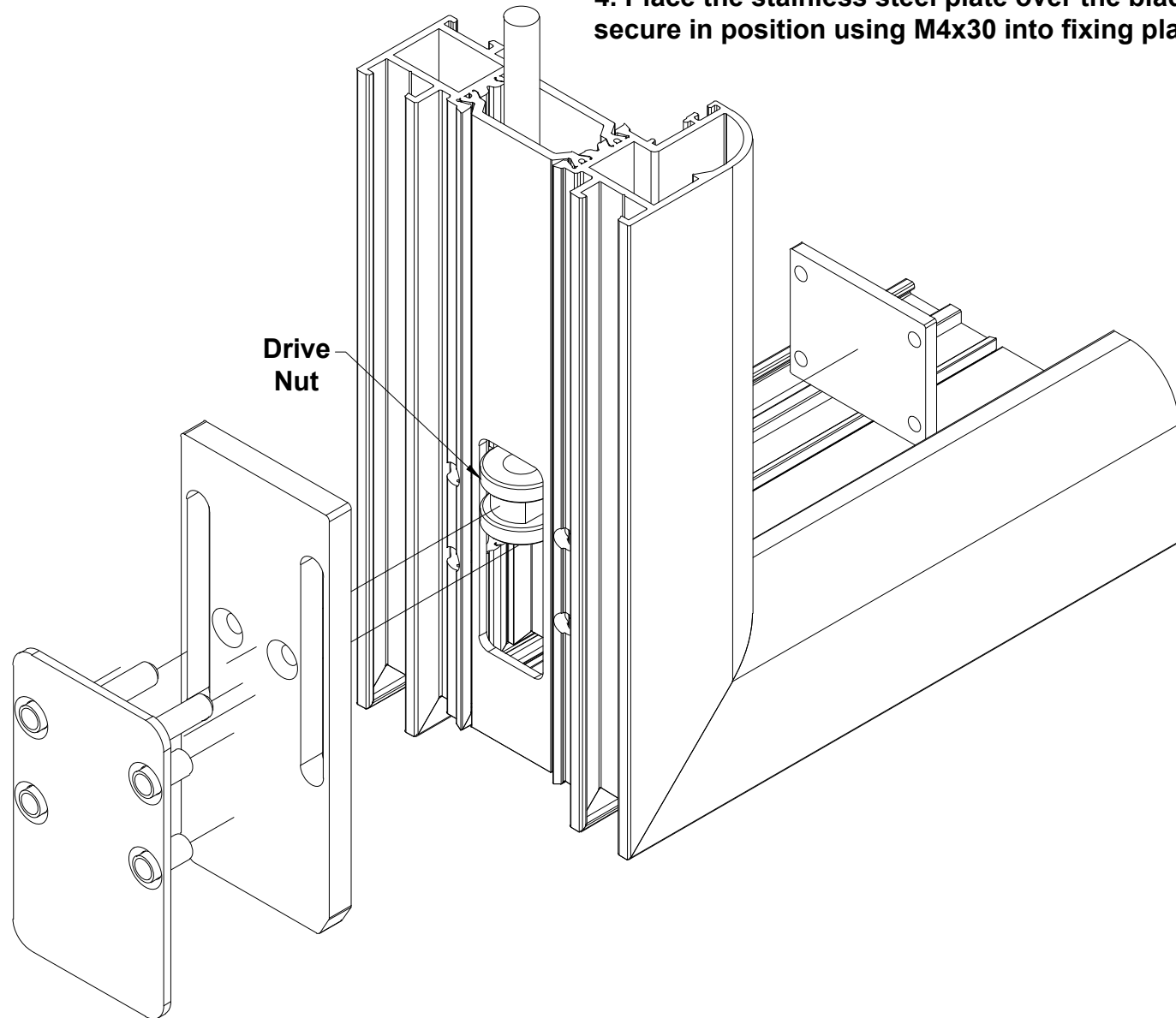


Do Not Scale From This Drawing

ACDV663 Shootbolt Blade Detail

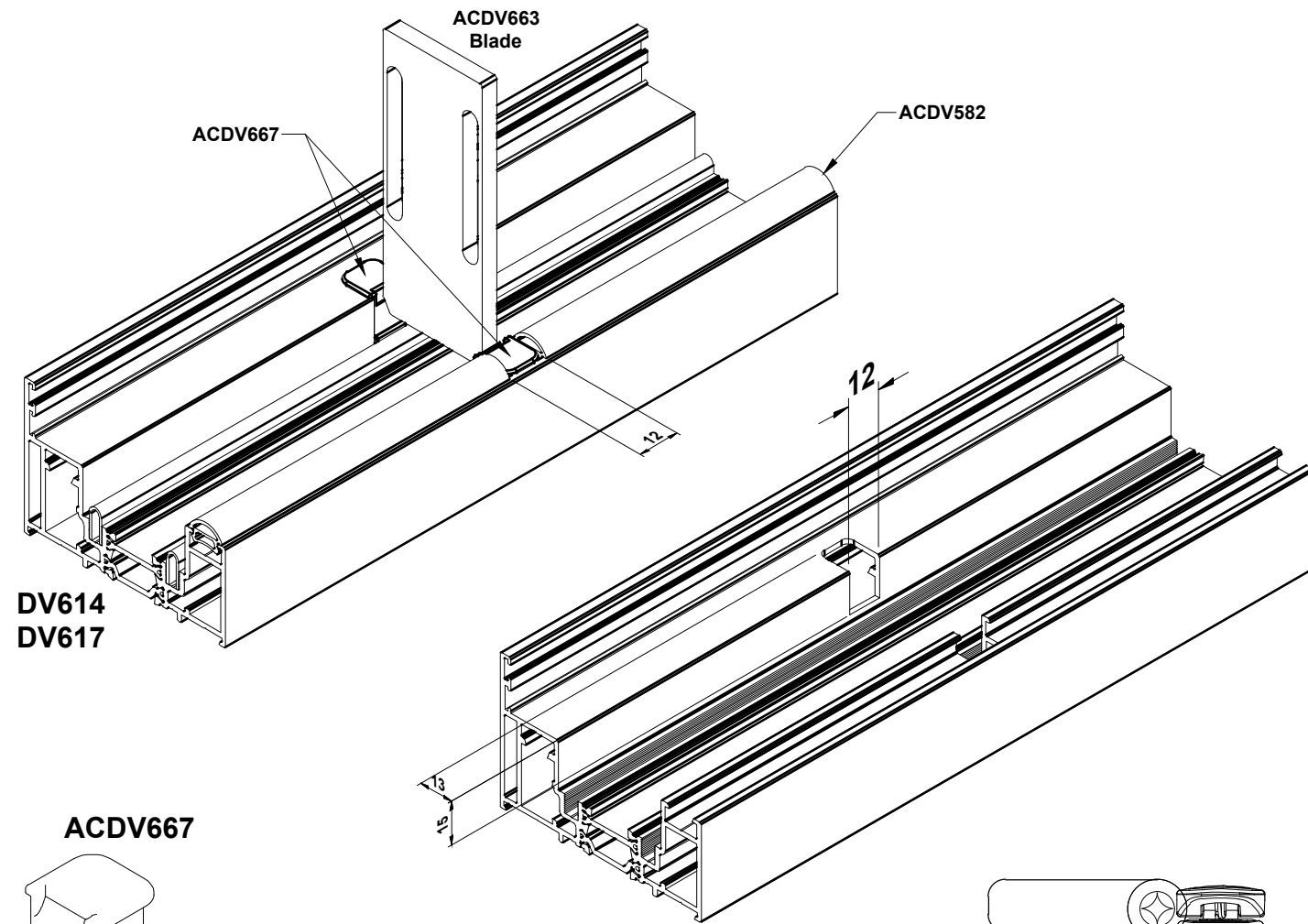
Installation Steps:

1. Position gearbox and attached threaded bar into section prior to assembling the sash
2. Adjust drive nut to the position shown below
3. Place shootbolt blade over the nut ensuring the fork of the blade is either side of the nut
4. Place the stainless steel plate over the blade and secure in position using M4x30 into fixing plate

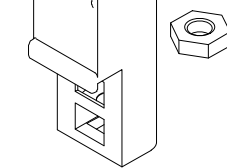


Do Not Scale From This Drawing

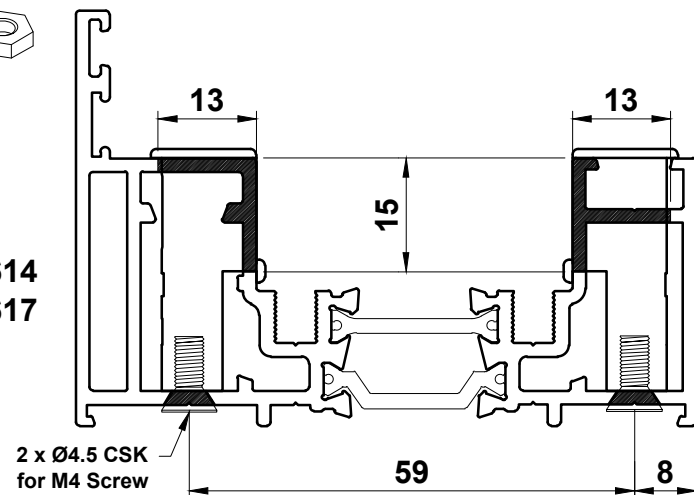
ACDV667 Shootbolt Blade Keep Fitting & Location



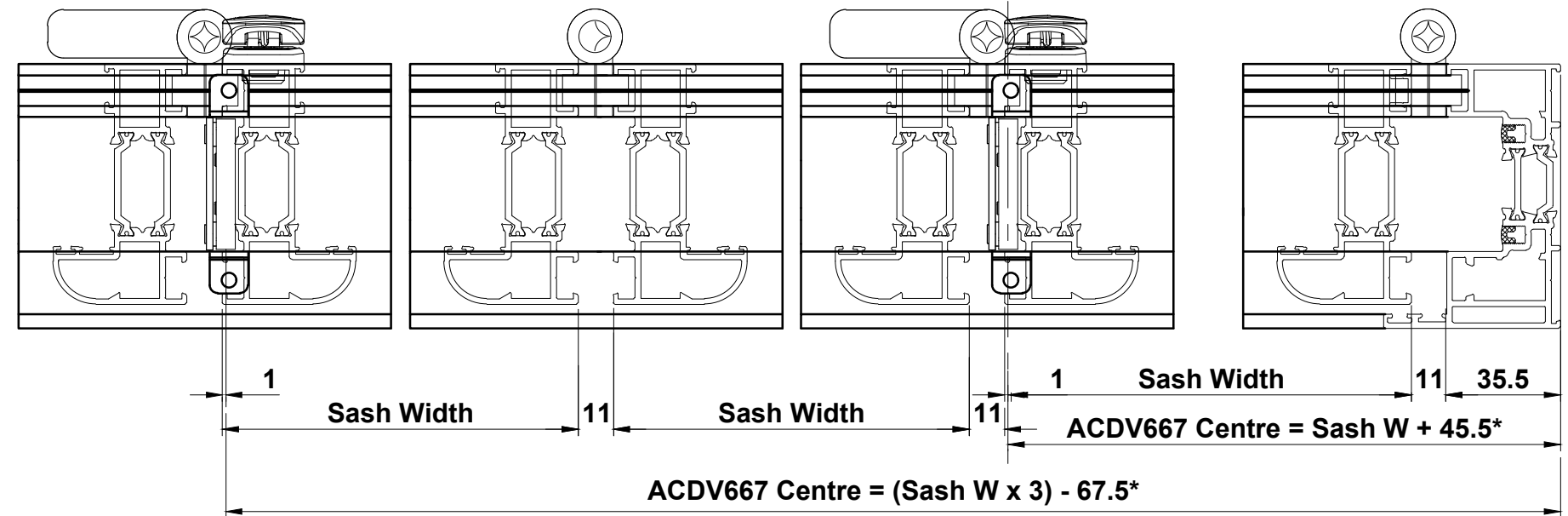
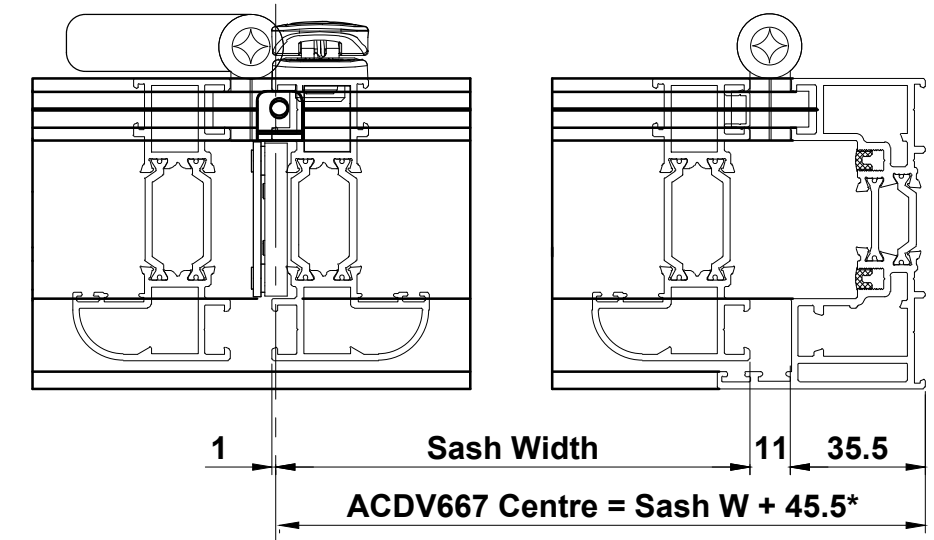
ACDV667



DV614
DV617



ACDV677 Location

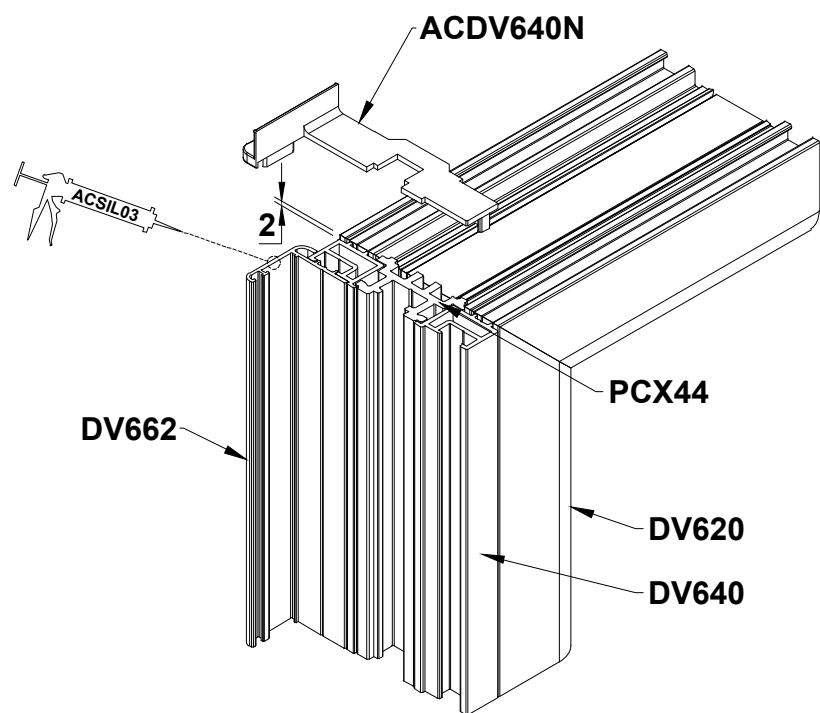


*Please add a additional 29.5mm to the above when using DV651 & DV652 adjustable jamb.

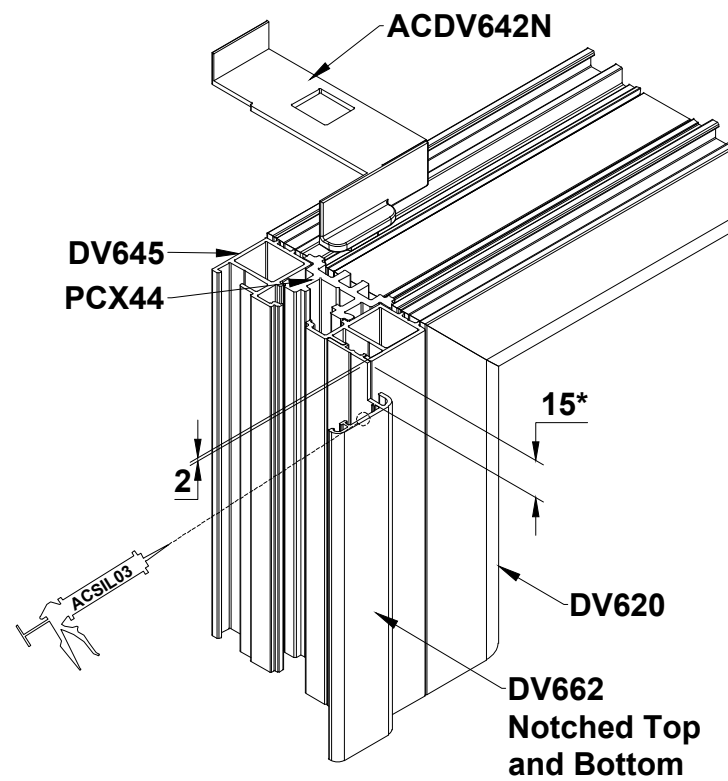
Do Not Scale From This Drawing

Rebate Adapter End Caps

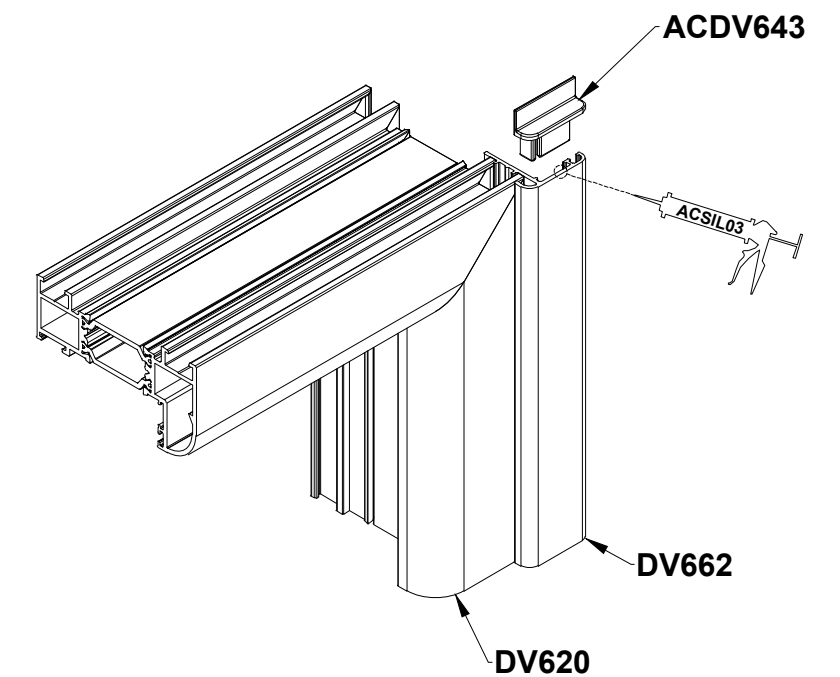
Primary door



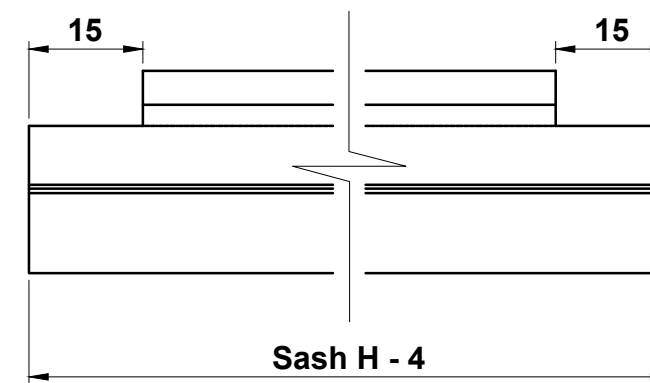
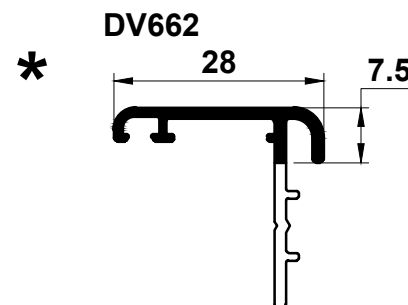
Secondary door



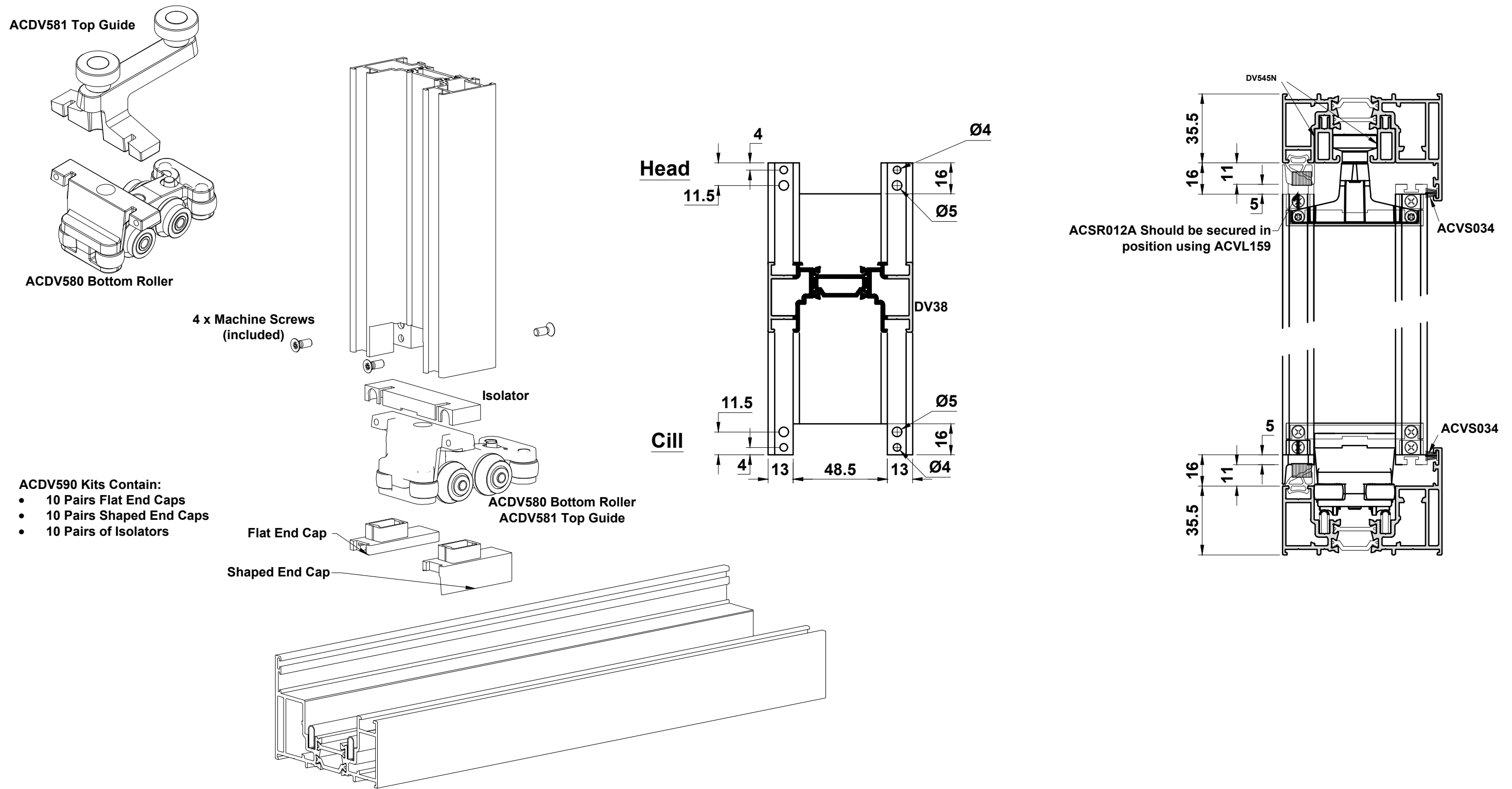
Rebate adapter



DV662 preparation detail for ACDV642N end cap.

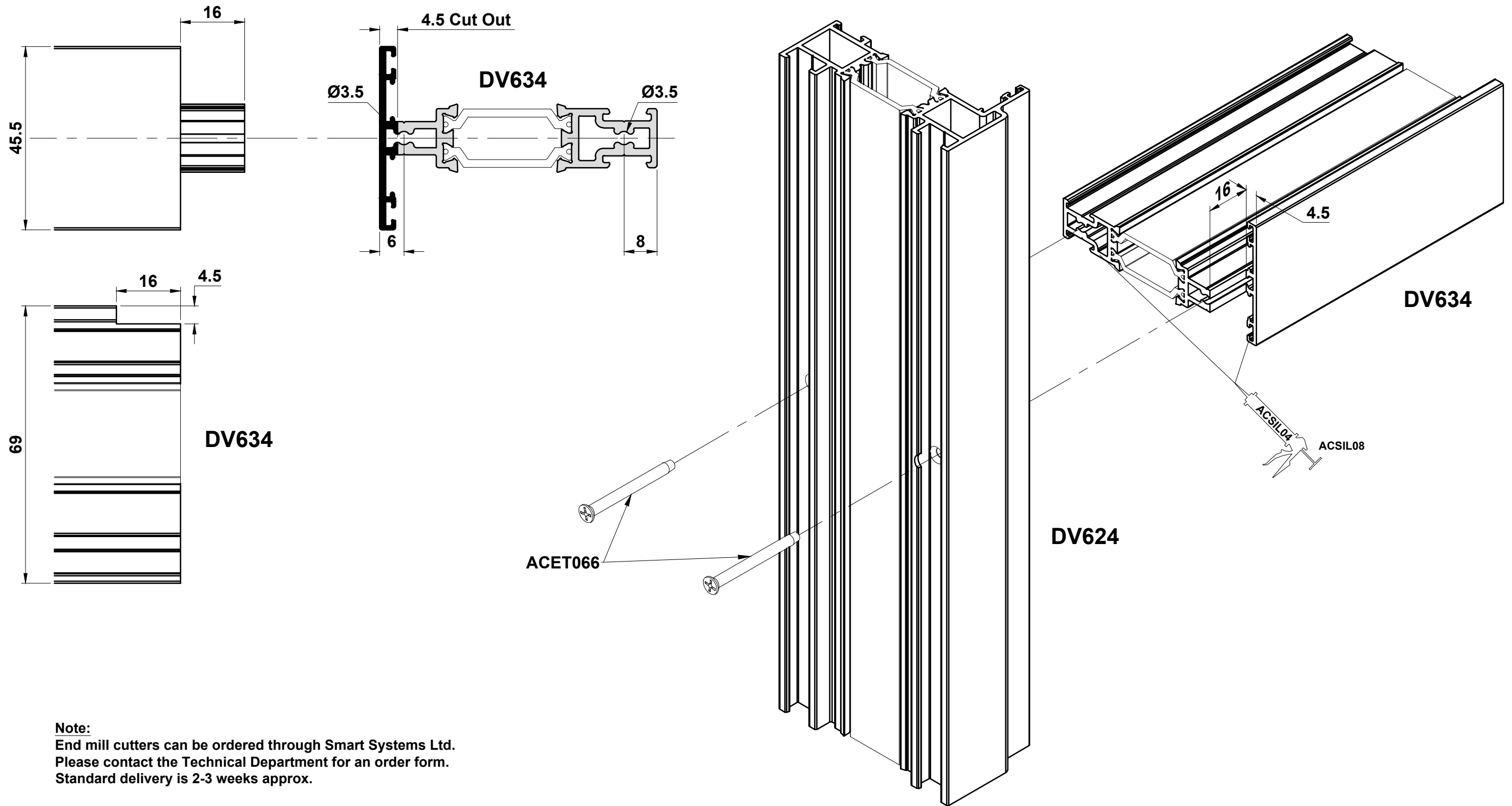


DV38 Preparation



Do Not Scale From This Drawing

DV634 Midrail into DV624

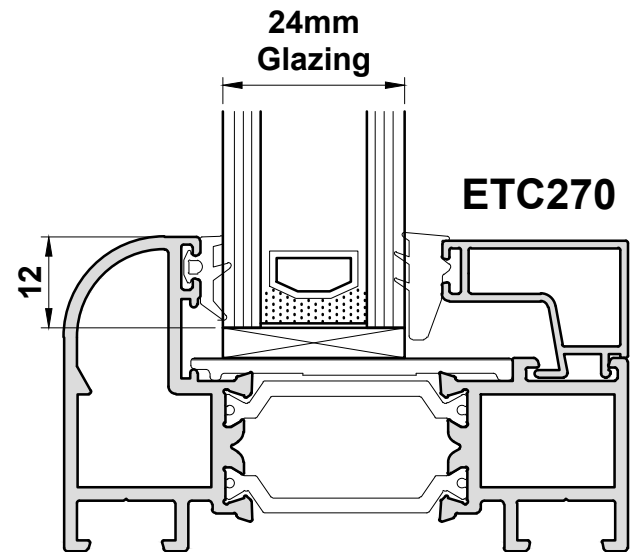


Note:
End mill cutters can be ordered through Smart Systems Ltd.
Please contact the Technical Department for an order form.
Standard delivery is 2-3 weeks approx.

Do Not Scale From This Drawing

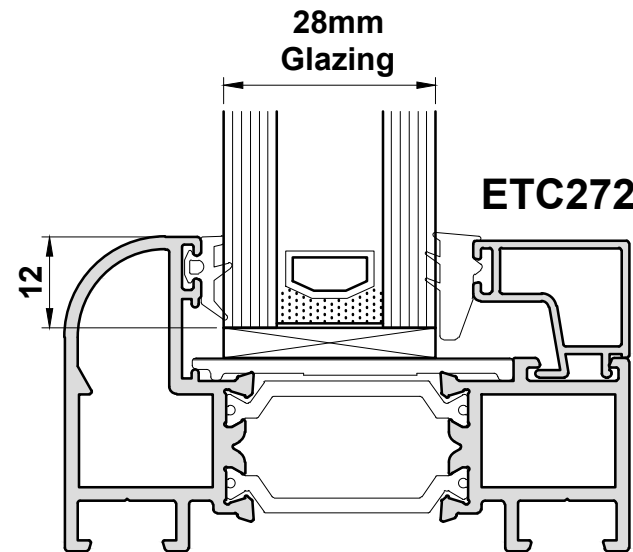
Glazing Details

Internally Beaded



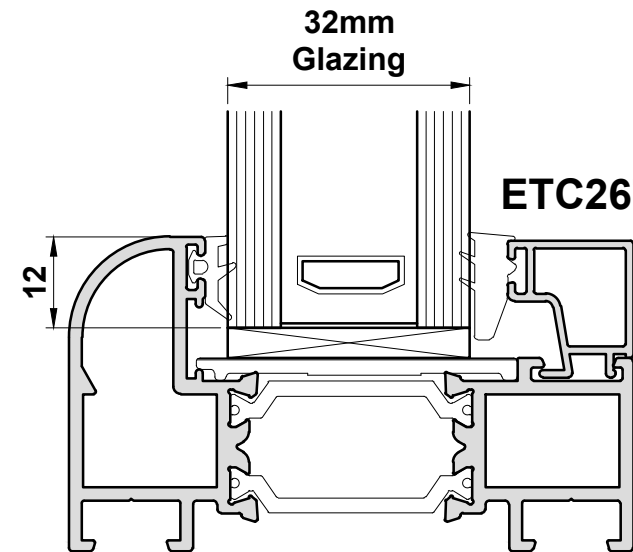
**DV620
DV622**

24mm Units	
BEADS	GASKET
ETC270	Outside: ACET842 3mm 'E' Gasket Inside: ACET840 5mm Wedge Gasket



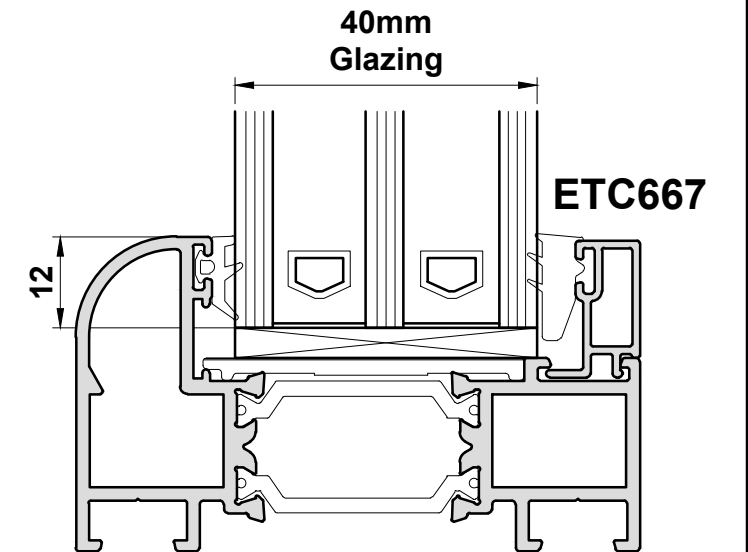
**DV620
DV622**

28mm Units	
BEADS	GASKET
ETC272	Outside: ACET842 3mm 'E' Gasket Inside: ACET840 5mm Wedge Gasket



**DV620
DV622**

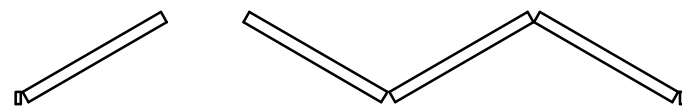
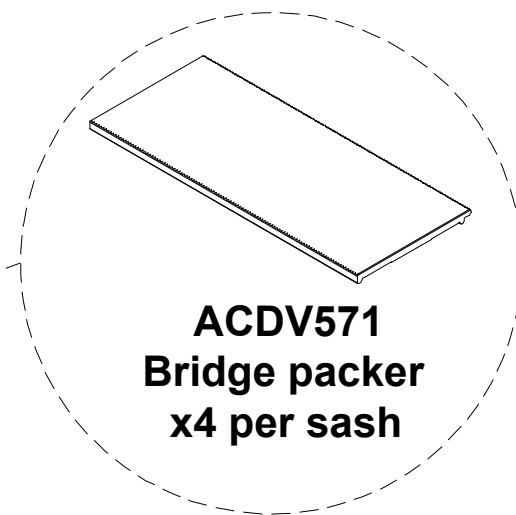
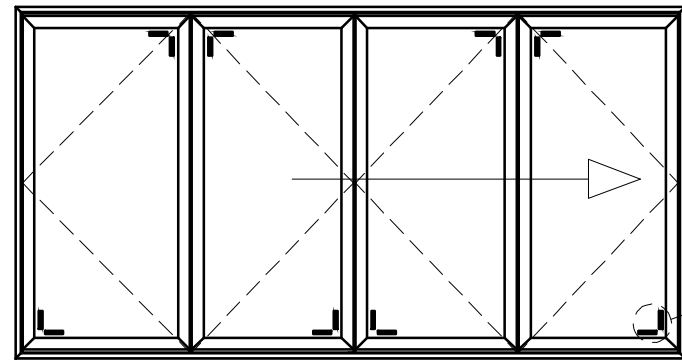
32mm Units	
BEADS	GASKET
ETC267	Outside: ACET842 3mm 'E' Gasket Inside: ACET840 5mm Wedge Gasket



**DV620
DV622**

40mm Units	
BEADS	GASKET
ETC667	Outside: ACET842 3mm 'E' Gasket Inside: ACET840 5mm Wedge Gasket

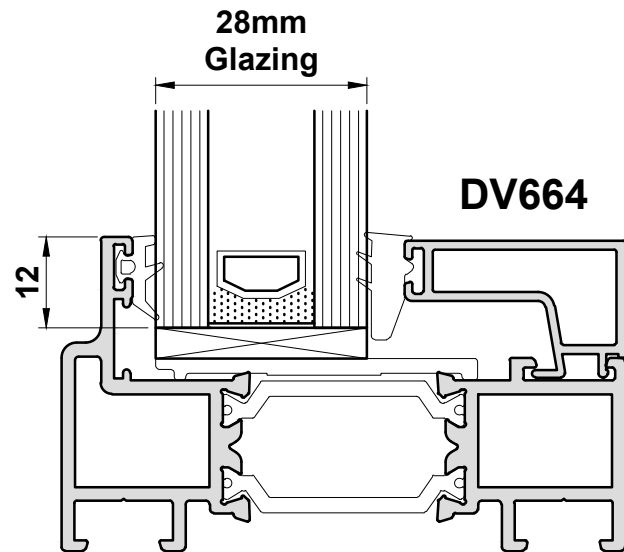
Typical Toe & Heel Locations



Do Not Scale From This Drawing

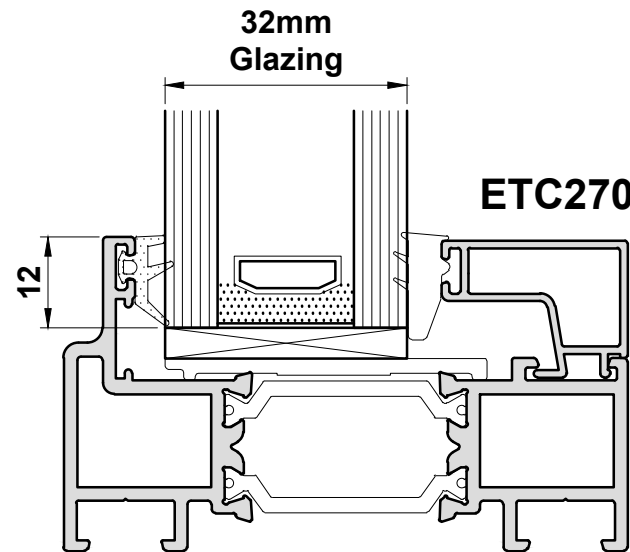
Glazing Details

Internally Beaded



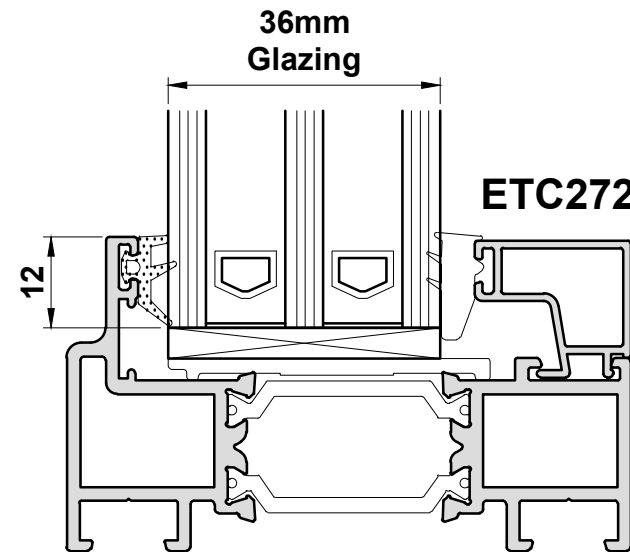
**DV624
DV634**

28mm Units	
BEADS	GASKET
DV664	Outside: ACET842 3mm 'E' Gasket Inside: ACET840 5mm Wedge Gasket



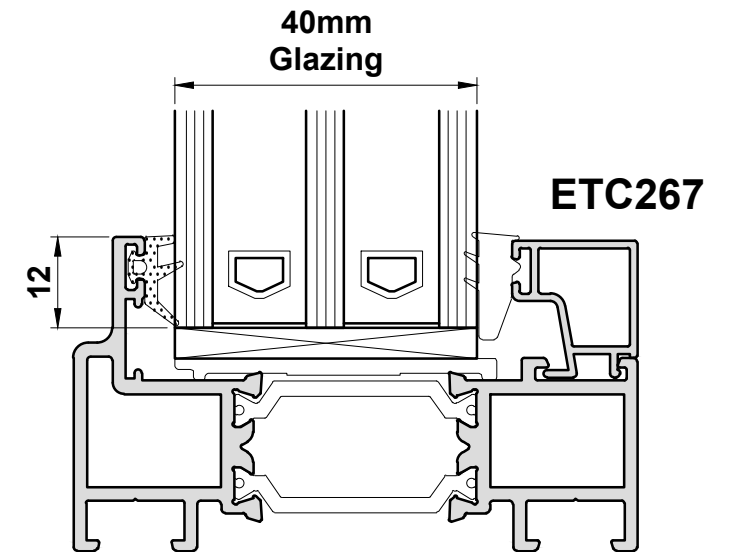
**DV624
DV634**

32mm Units	
BEADS	GASKET
ETC270	Outside: ACET841 4mm 'E' Gasket Inside: ACET840 5mm Wedge Gasket



**DV624
DV634**

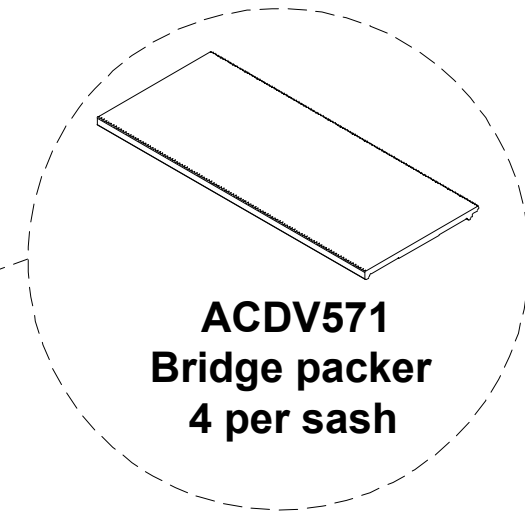
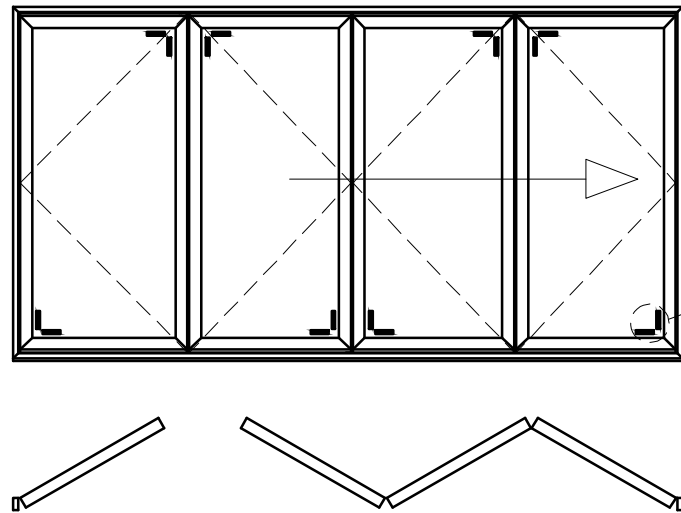
36mm Units	
BEADS	GASKET
ETC272	Outside: ACET841 4mm 'E' Gasket Inside: ACET840 5mm Wedge Gasket



**DV624
DV634**

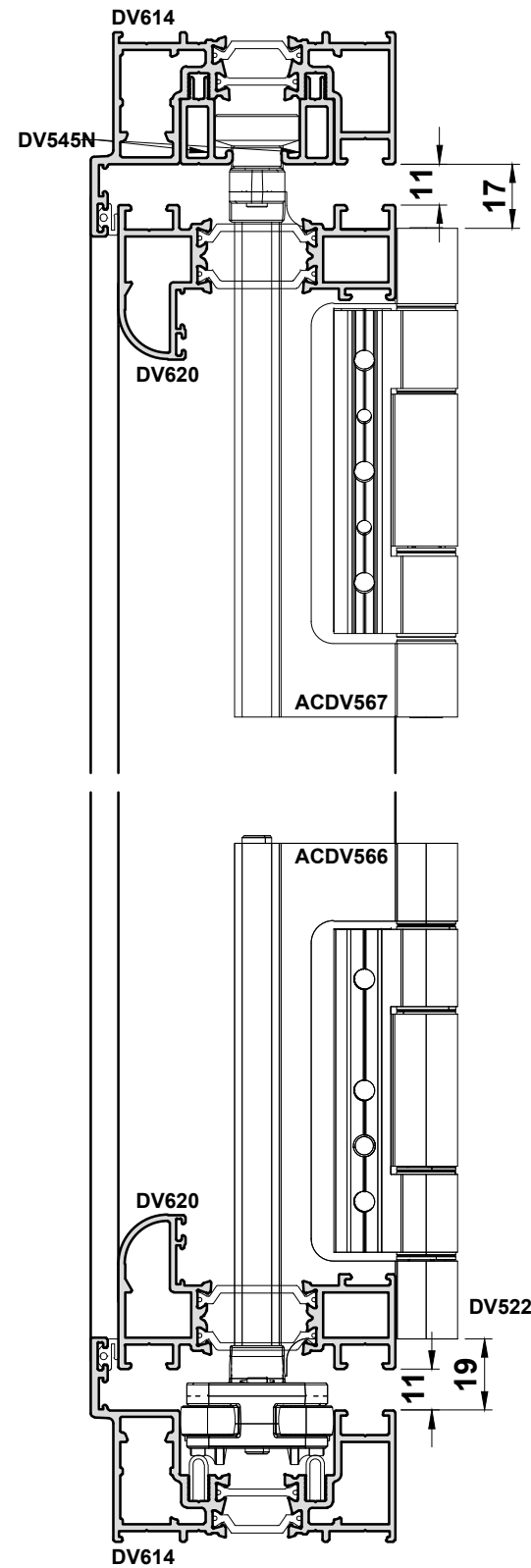
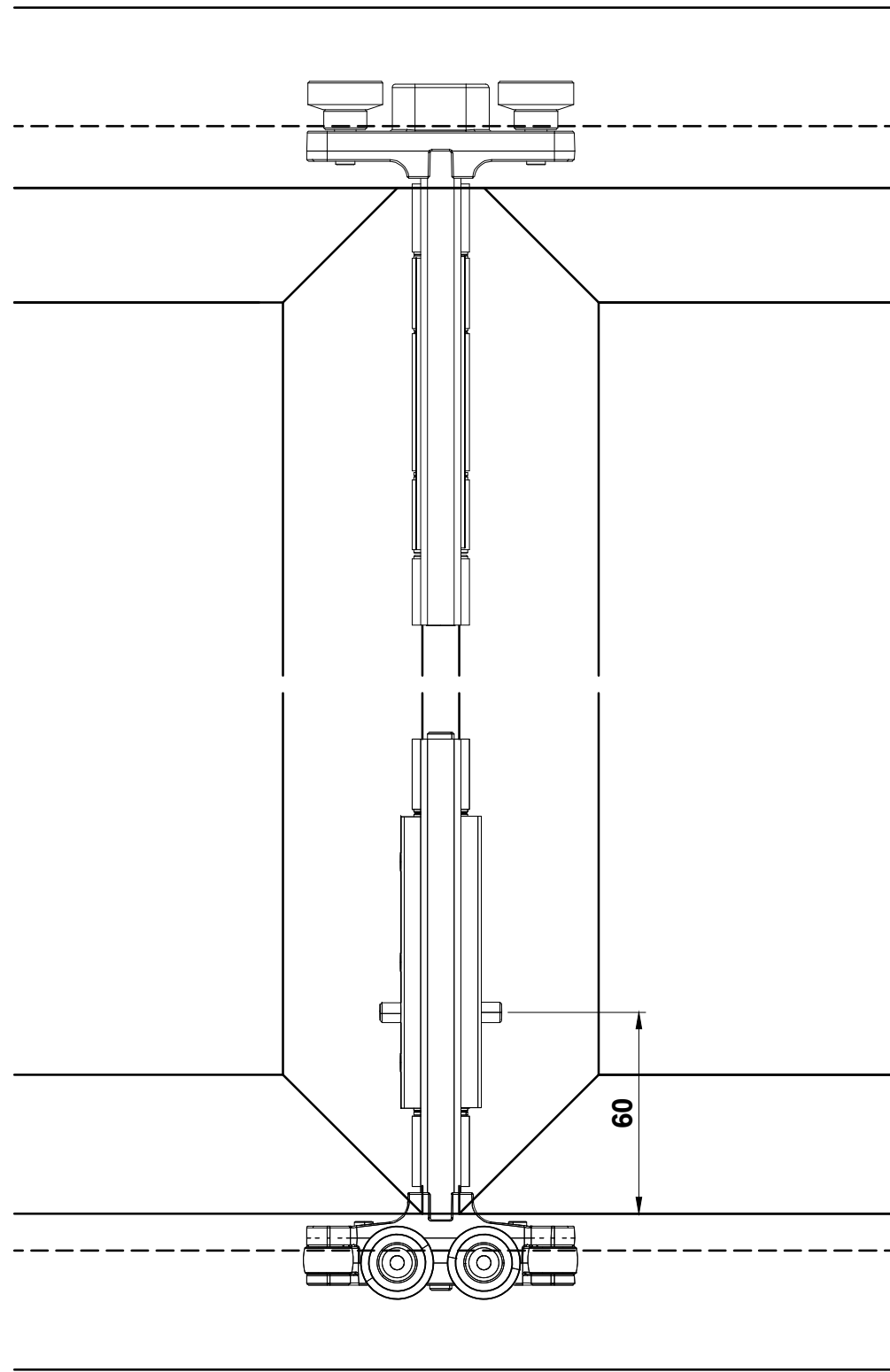
40mm Units	
BEADS	GASKET
ETC267	Outside: ACET841 4mm 'E' Gasket Inside: ACET840 5mm Wedge Gasket

Typical Toe & Heel Locations



Do Not Scale From This Drawing

Hinge Location Details

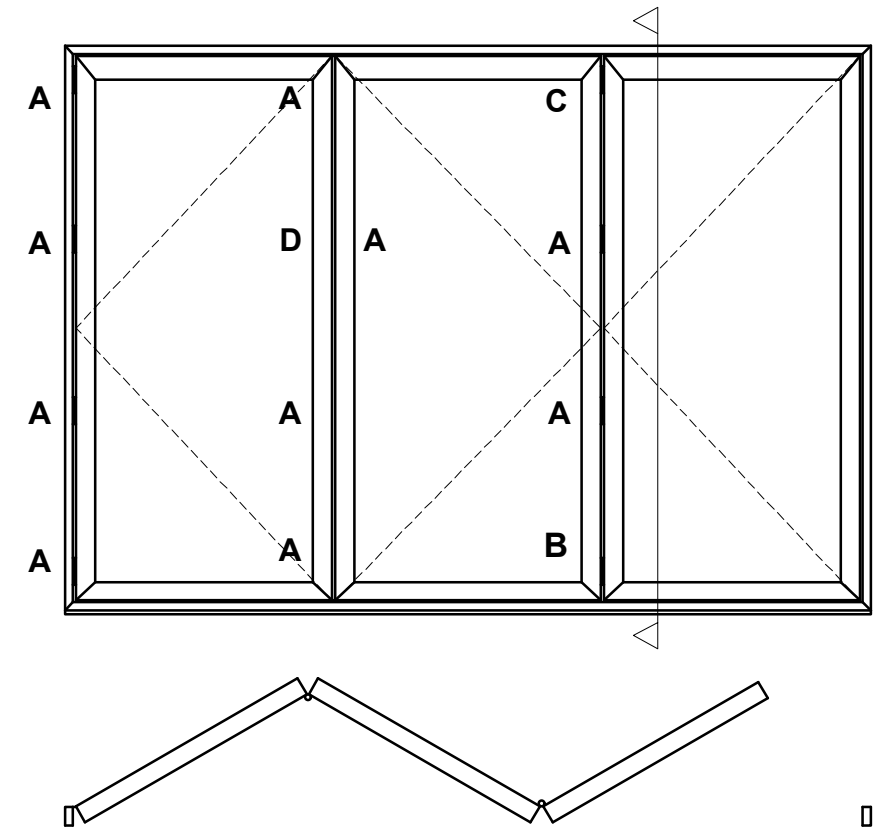


Typical Hinge Layout:

- A = ACDV331 Intermediate Hinge
- B = ACDV566 Bottom Roller Carrier
- C = ACDV567 Top Guide Carrier
- D = ACDV274 'D' Handle Hinge

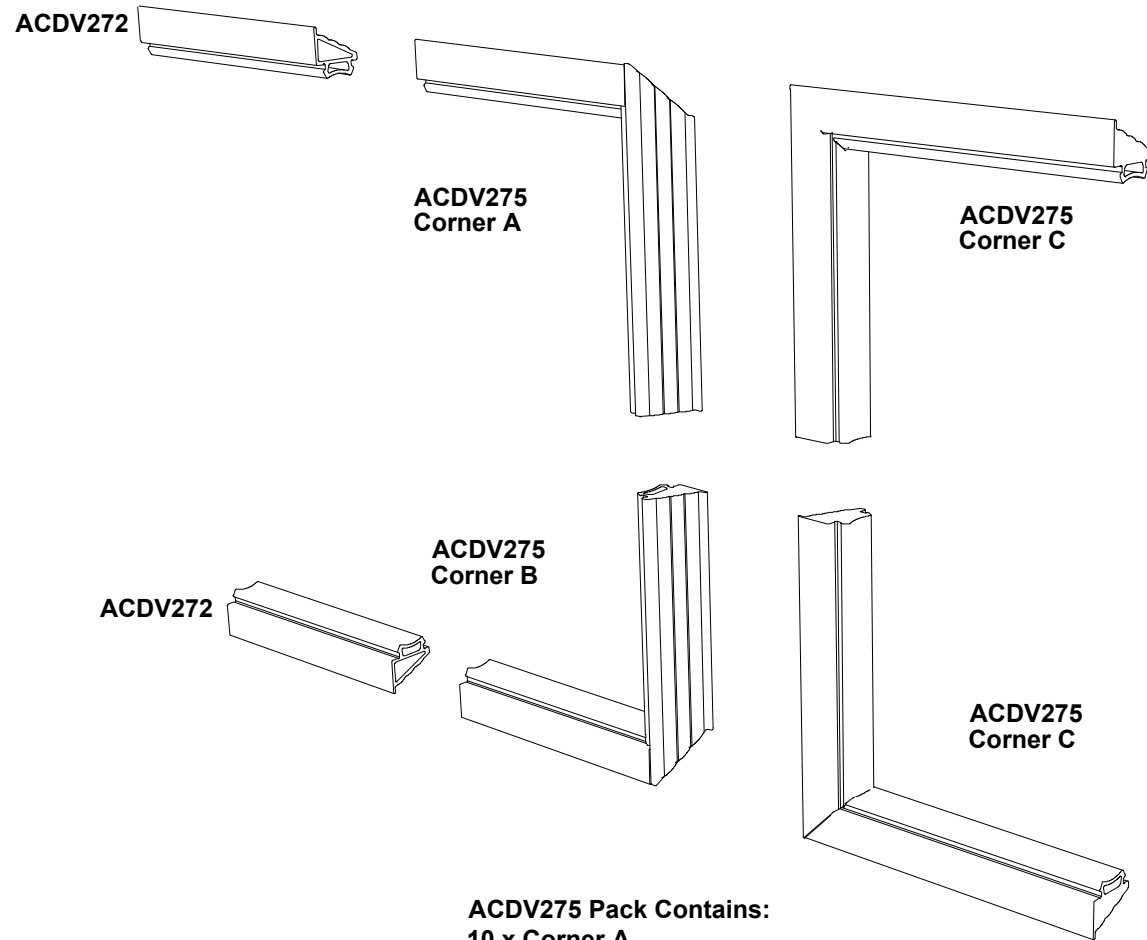
Note:

Once hinges are set into position, secure centre hole with ACIM062 screw for permanent fixing.



Do Not Scale From This Drawing

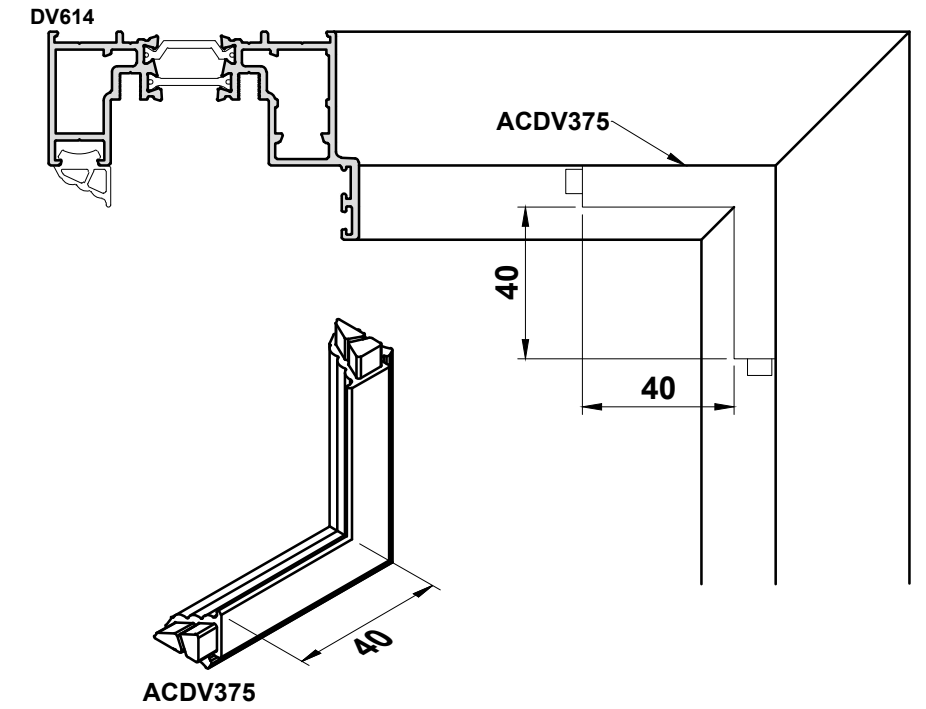
ACDV275 & ACDV375 Details



ACDV275 Pack Contains:
 10 x Corner A
 10 x Corner B
 20 x Corner C

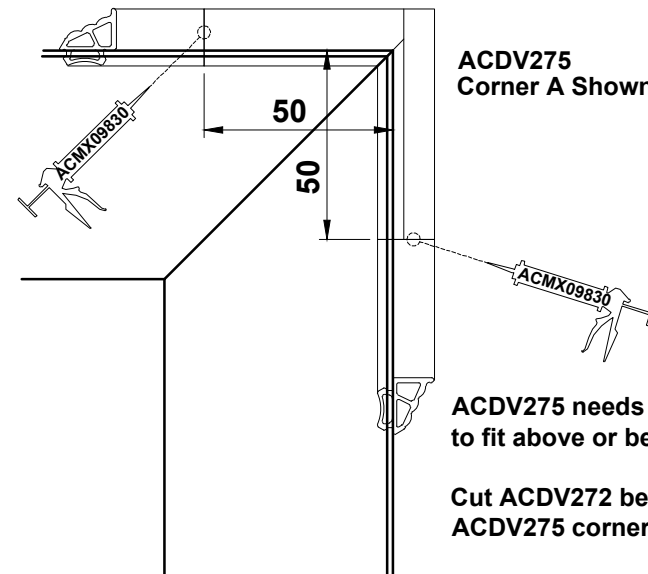
Packs of each corner type may also be ordered as:
 ACDV275A, ACDV275B or ACDV275C

Outer Frame Gasket Detail



Example Vent Gasket Detail

Cut ACDV272 between ACDV275 corner moulds

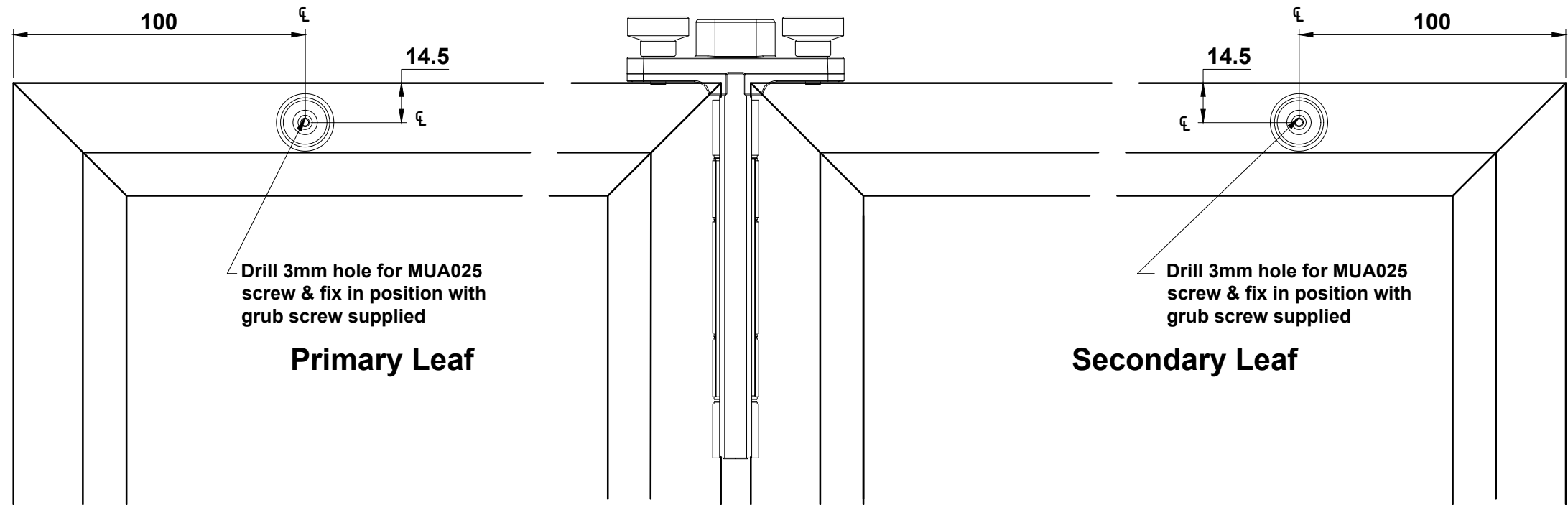


ACDV275 needs to be cut to fit above or below the hinges

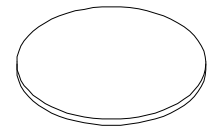
Cut ACDV272 between ACDV275 corner moulds

Do Not Scale From This Drawing

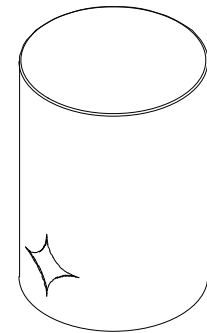
ACDV305 installation



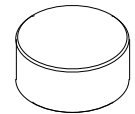
ACDV305 Kit Contains



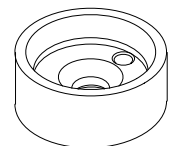
1 x Clear Polyurethane Pad



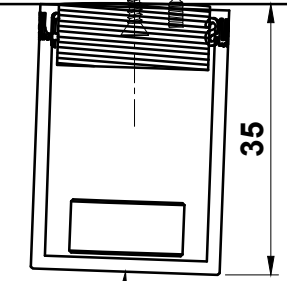
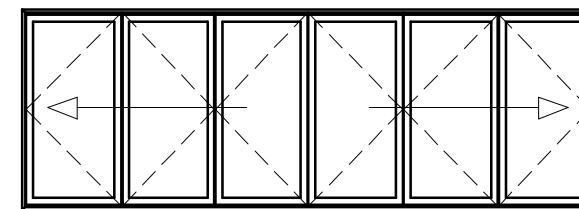
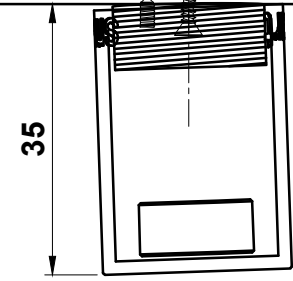
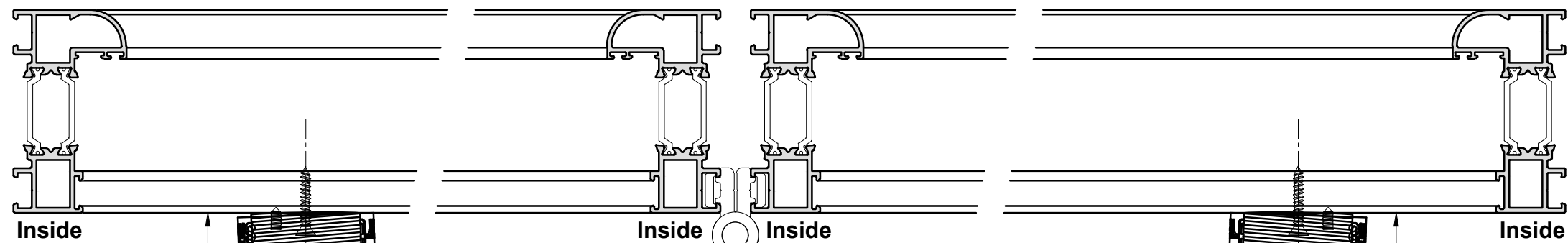
2 x 35mm Magnetic Holders



2 x Magnets



2 x Threaded Base

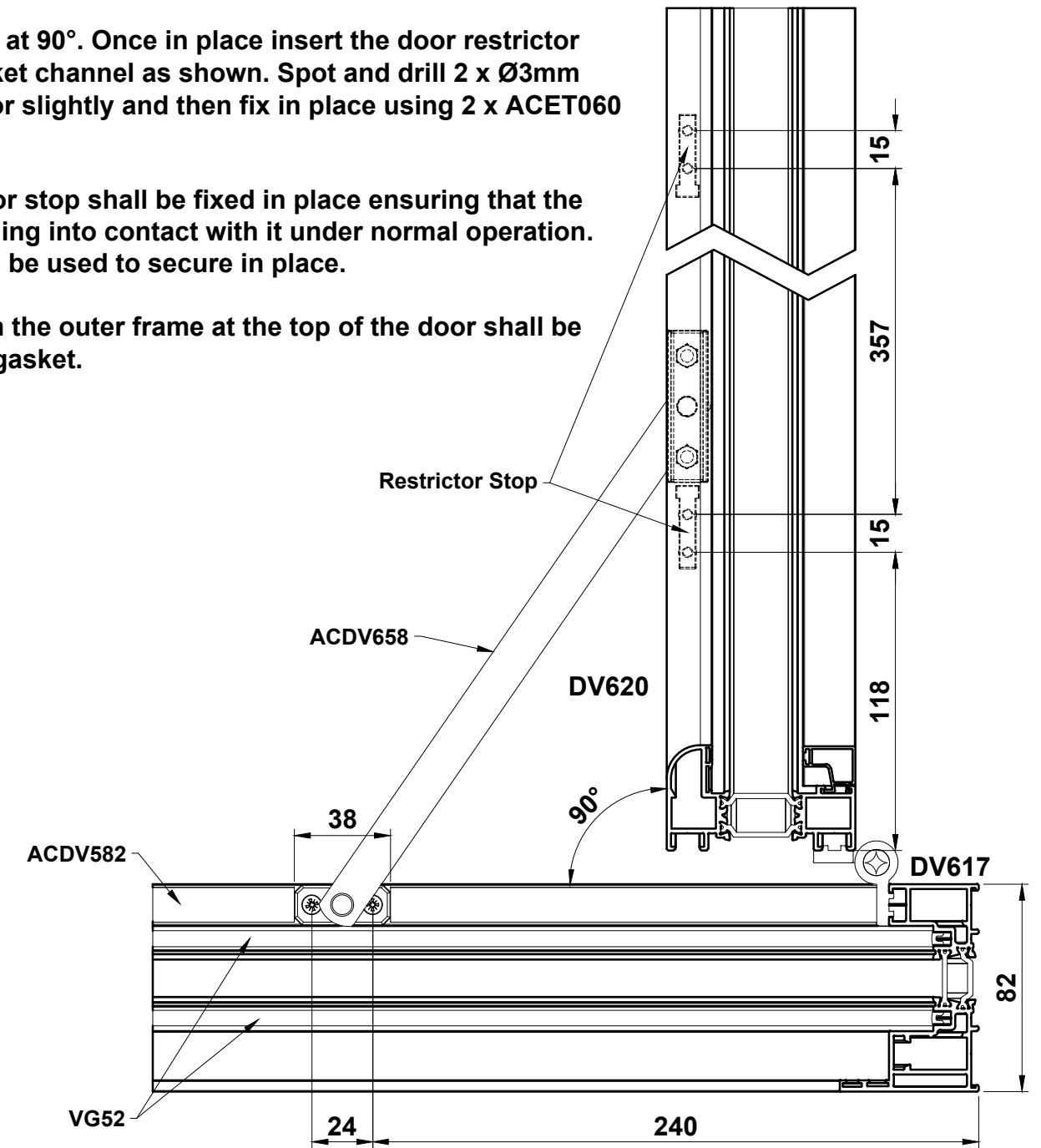
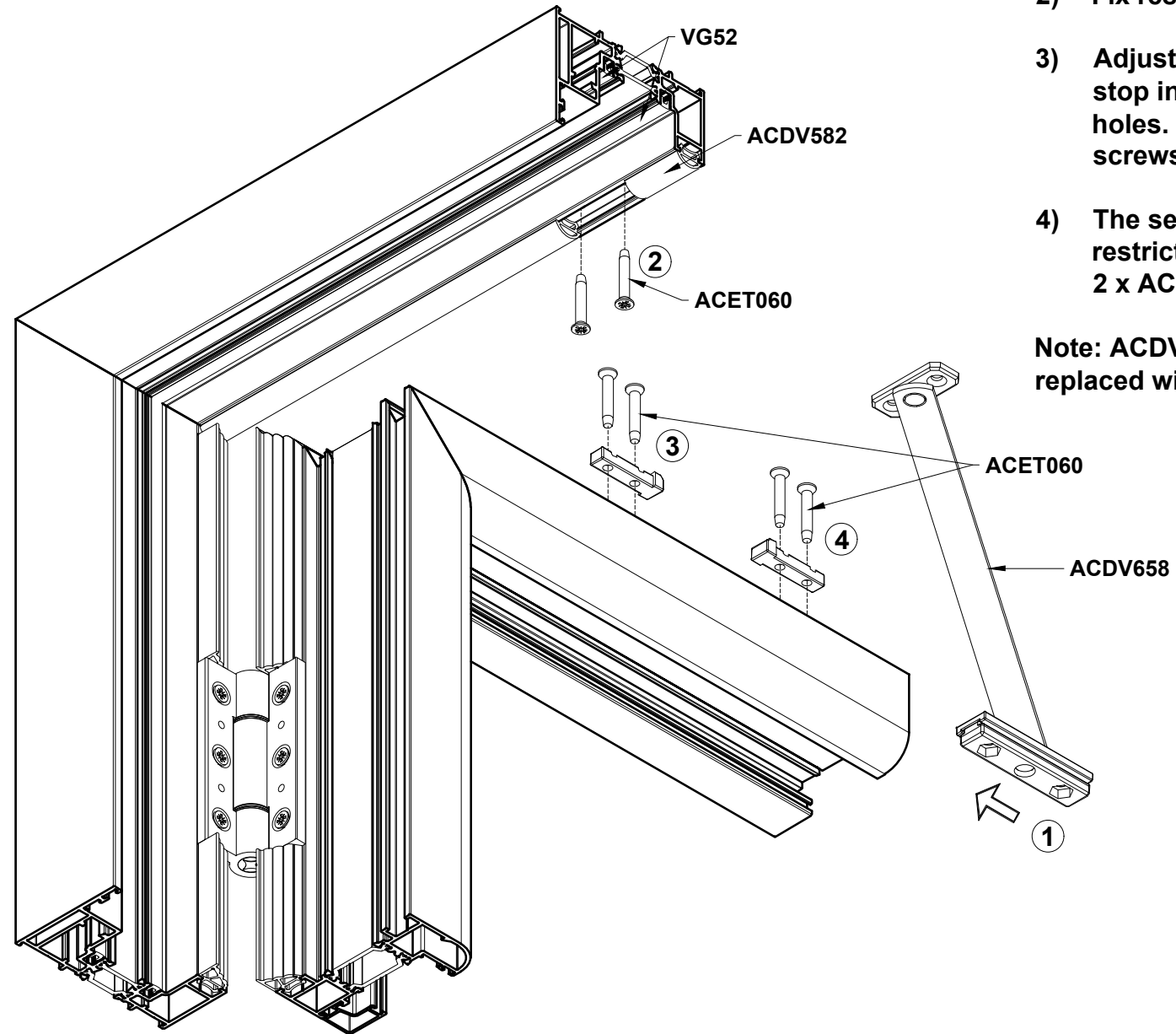


Do Not Scale From This Drawing

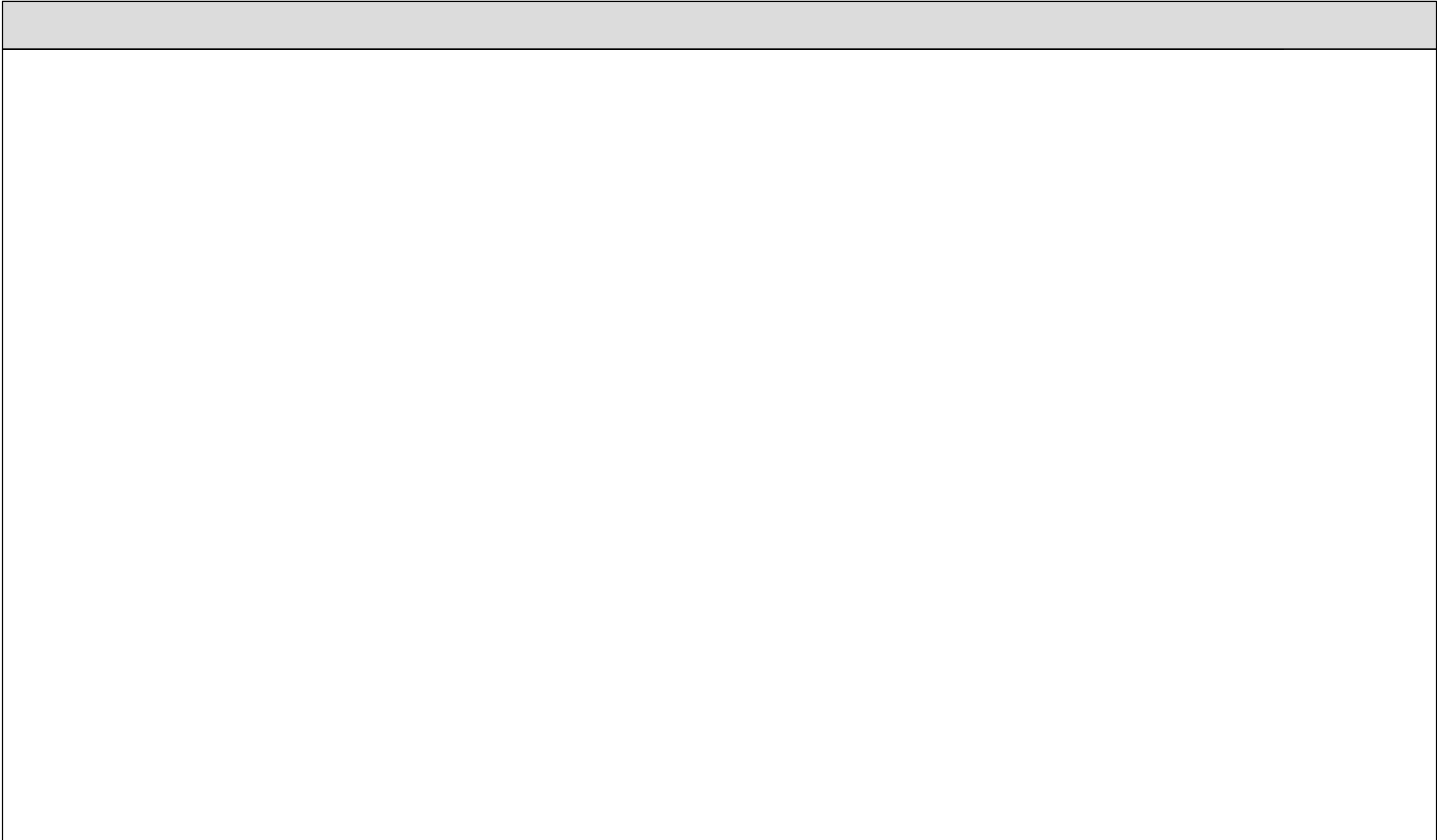
ACDV658 Door Restrictor

- 1) Slide door restrictor into internal gasket channel.
- 2) Fix restrictor into outer frame using 2 x ACET060 screws.
- 3) Adjust door to open at 90°. Once in place insert the door restrictor stop in internal gasket channel as shown. Spot and drill 2 x Ø3mm holes. Close the door slightly and then fix in place using 2 x ACET060 screws.
- 4) The second restrictor stop shall be fixed in place ensuring that the restrictor is not coming into contact with it under normal operation. 2 x ACET060 should be used to secure in place.

Note: ACDV272 gasket in the outer frame at the top of the door shall be replaced with ACDV582 gasket.



Do Not Scale From This Drawing



Do Not Scale From This Drawing

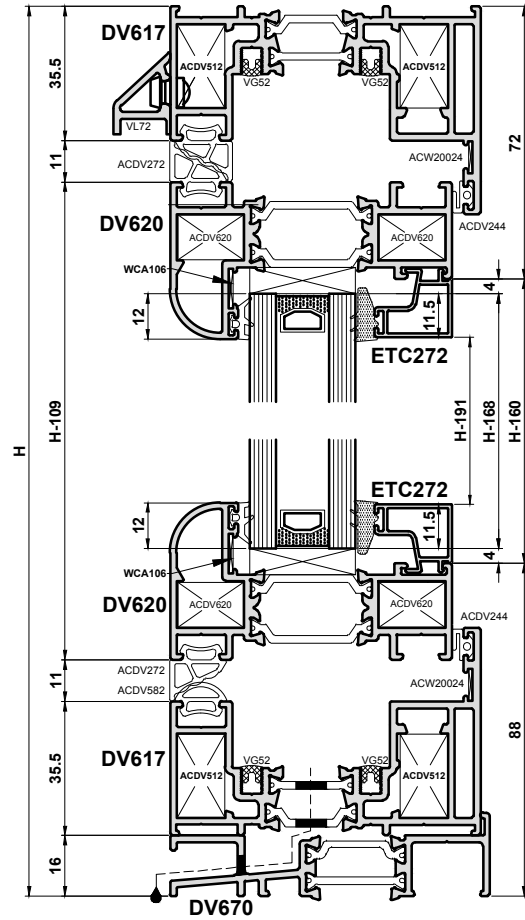
Section F

**Sawing Tables
Open Out**

Single Door	Page F03
Double Swing Door	Page F04
Double Slide & Fold Door	Page F05
Type 1e	Page F06
Type 2e	Page F07
Type 3e	Page F08
Type 4e	Page F09
Type 5e	Page F10
Type 6e	Page F11
Type 7e	Page F12
3/2 Door	Page F13
3/4 Floating Corner Door	Page F14
4/4 Floating Corner Door	Page F15
3/3 Floating Corner Door	Page F16

Section F

Cutting Information

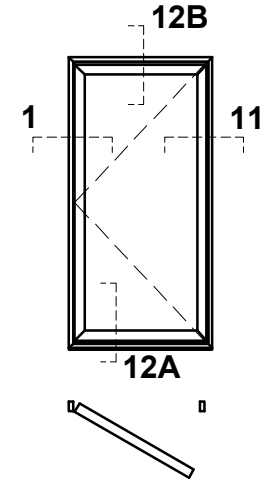


Sections			
DV60*	3		H - 109
DV545	2		H - 57
DV617	2		W
DV617	2		H - 16
DV620	2		W - 111.5
DV620	2		H - 109
DV640	2		H - 113
DV662	1		H - 113
DV670	1		W
PCX44	1		H - 113
VG52	2		H - 59
VL72	1		W - 10
Bead	2		W - 162.5
Bead	2		H - 191

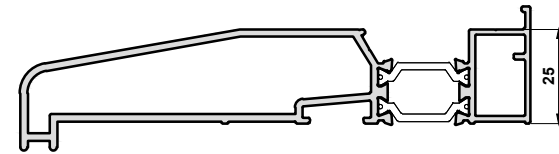
*Note: DV60 cover profile is optional.

Glass	
1 x	W - 170.5 H - 168

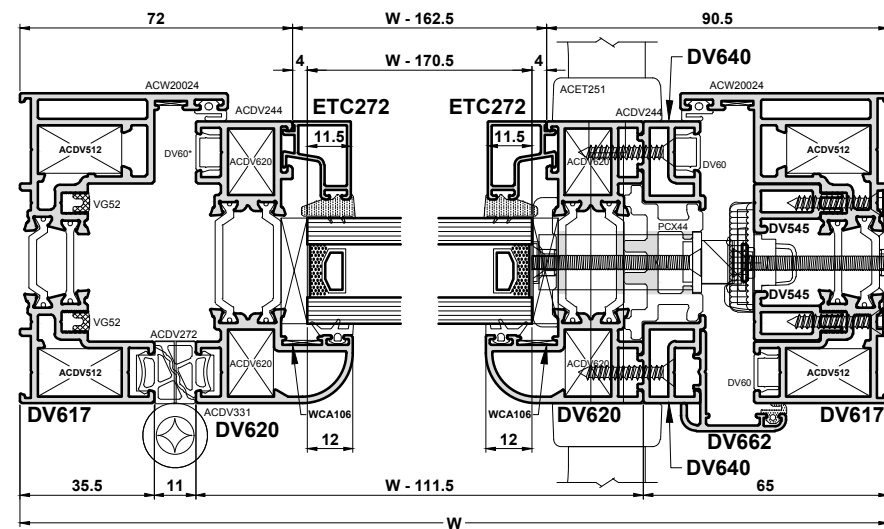
Accessories		
ACDV244	(2 x W) + (2 x H) - 200	Rebate Gasket
ACDV251	1 Pair	Lever/Lever Handle
ACDV258	1	Cylinder
ACDV266	18	45mm Lock & Keep Fixing Screw
ACDV272	(Sash W - 78) (Sash H - 78)	Sealing Gasket
ACDV272	Cut between hinges (Sash)	Sealing Gasket
ACDV272	Frame W - 36	Sealing Gasket
ACDV272	Cut between hinges (Frame)	Sealing Gasket
ACDV275	1	Sash Gasket Corner Moulds
ACDV331	4	Intermediate Hinges
ACDV375	4	Outer Frame Gasket Corner Moulds
ACDV512	8	DV617 Cleat
ACDV571	4	Sash Bridge Packer
ACDV576/577	1	Lock/Full Height Keep
ACDV582	Frame W - 36	Outer Frame Gasket
ACDV620	8	DV620 Cleat
ACDV623	18	Lock & Keep Fixing Plate
ACDV640N	1 Pair	DV640/DV662 End Caps
ACDV670	1 Pair	DV670 End Caps
ACET060	2xW @ 500 ctrs/3xH @ 500 ctrs	Self Tapping Screws
ACET067	4	Screws
ACET133	2	M5 x 50 Handle Screw
ACET160	H - 109	Frame Rebate Gasket
ACET840	2 x (W - 170.5) + 2 x (H - 168)	External Glazing Gasket
ACET842	2 x (W - 170.5) + 2 x (H - 168)	Internal Glazing Gasket
ACVL059	1 Pair	VL72 End Caps
ACVL061	W @ 500 ctrs	Rivet for VL72
ACW20024	4	Outer Frame Chevron
WCA106	4	Sash Chevron



Important note
All deductions regarding heights are inclusive of DV670/DV570. This is due to there not being a face drained option, thus a sub-cill must always be used to channel the drainage away from the frame in the approved manner.

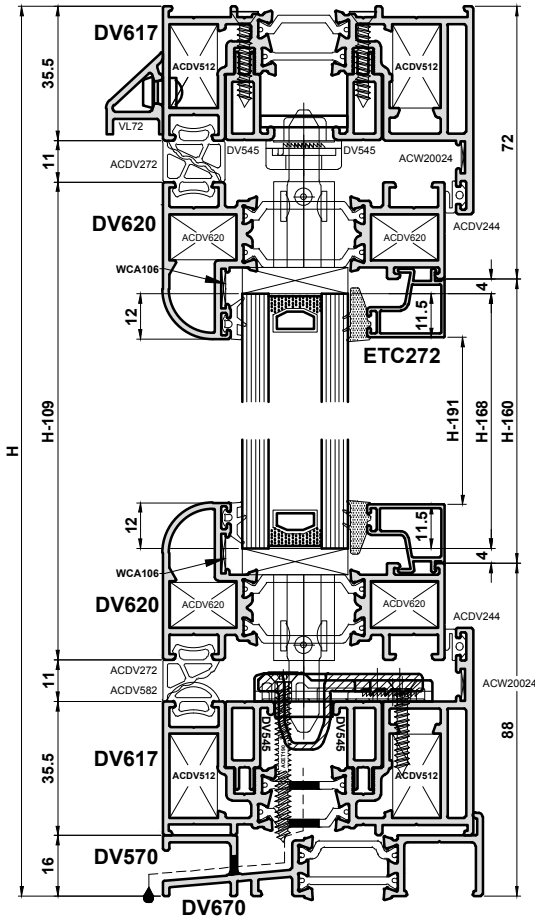


Increase all height deductions by 9mm or 18mm when using the projecting sub-cills.
9mm Deduction - ETC451, ETC452, ETC457, ETC458 & ETC479
18mm Deduction - ETC477



Do Not Scale From This Drawing

Cutting Information

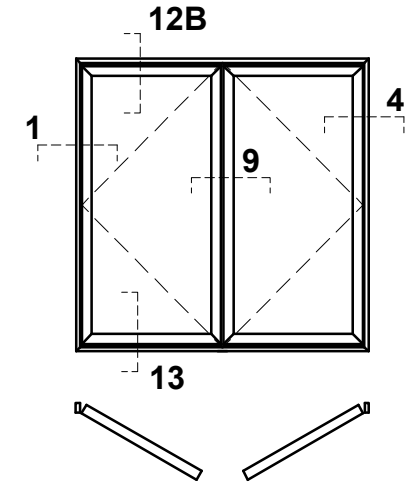


Sections			
DV60*	4	H - 109	
DV545	4	W - 36	
DV617	2	W	
DV617	2	H - 16	
DV620	4	W/2 - 74	
DV620	4	H - 109	
DV640	2	H - 113	
DV645	2	H - 113	
DV662	2	H - 113	
DV670	1	W	
PCX44	2	H - 113	
VG52	4	H - 59	
VL72	1	W - 10	
Bead	4	W/2 - 125	
Bead	4	H - 191	

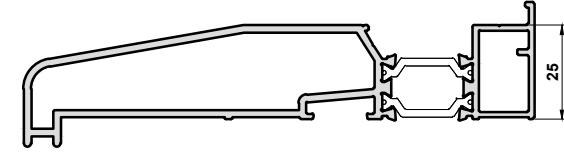
Accessories		
ACDV241	9	Lock & Keep Fixing Plate
ACDV244	(2 x W) + (2 x H) - 200	Rebate Gasket
ACDV251	2 Pairs	Lever/Lever Handle
ACDV258	2	Cylinder
ACDV266	18	45mm Lock & Keep Fixing Screw
ACDV272	(Sash W - 78) (Sash H - 78)	Sealing Gasket
ACDV272	Cut between hinges (Sash)	Sealing Gasket
ACDV272	Frame W - 36	Sealing Gasket
ACDV272	Cut between hinges (Frame)	Sealing Gasket
ACDV275	2	Sash Gasket Corner Moulds
ACDV331	8	Intermediate Hinges
ACDV375	4	Outer Frame Gasket Corner Moulds
ACDV512	8	DV617 Cleat
ACDV571	8	Sash Bridge Packer
ACDV582	Frame W - 36	Outer Frame Gasket
ACDV582N	1	Secondary Door Lock
ACDV620	16	DV620 Cleat
ACDV623	18	Lock & Keep Fixing Plate
ACDV640N	1 Pair	Primary Door End Caps
ACDV642N	1 Pair	Secondary Door End Daps
ACDV670	1 Pair	DV670 End Caps
ACDV676/677	1	Lock/Full Height Keep
ACDV737	1	Bottom Shoot Bolt
ACDV738	1	Top Shoot Bolt
ACET060	2xW @ 500 ctrs/3xH @ 500 ctrs	Self Tapping Screws
ACET067	4	Screws
ACET133	4	M5 x 50 Handle Screw
ACET160	2 x (H - 109)	Frame Rebate Gasket
ACET840	4 x (W/2 - 133) + 4 x (H - 168)	External Glazing Gasket
ACET842	4 x (W/2 - 133) + 4 x (H - 168)	Internal Glazing Gasket
ACVL059	1 Pair	VL72 End Caps
ACVL061	W @ 500 ctrs	Rivet for VL72
ACW20024	4	Outer Frame Chevron
WCA106	8	Sash Chevron

*Note: DV60 cover profile is optional.

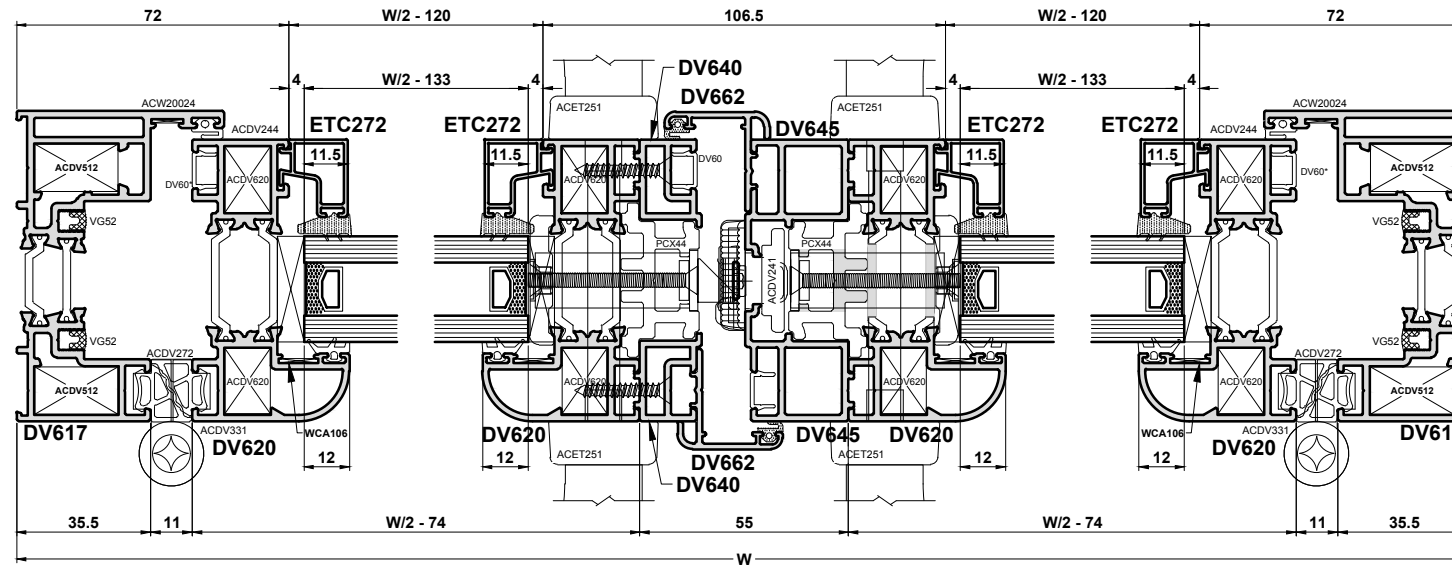
Glass	
2 x	W/2 - 133 H - 168



Important note
All deductions regarding heights are inclusive of DV670/DV570. This is due to there not being a face drained option, thus a sub-cill must always be used to channel the drainage away from the frame in the approved manner.

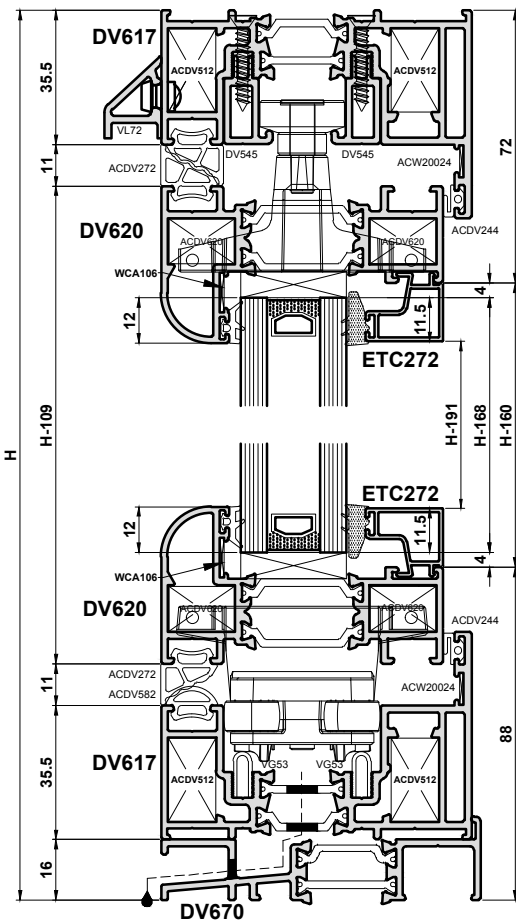


Increase all height deductions by 9mm or 18mm when using the projecting sub-cills.
9mm Deduction - ETC451, ETC452, ETC457, ETC458 & ETC479
18mm Deduction - ETC477



Do Not Scale From This Drawing

Cutting Information



Sections			
DV38	1		H - 119
DV60*	3		H - 109
DV545	1		W - 36
DV545	1		150
DV545	1		W - 186
DV617	2		W
DV617	2		H - 16
DV620	4		W/2 - 75.5
DV620	4		H - 109
DV662	1		H - 109
DV670	1		W
VG52	4		H - 59
VG53	2		W - 26
VL72	1		W - 10
Bead	4		W/2 - 126.5
Bead	4		H - 191

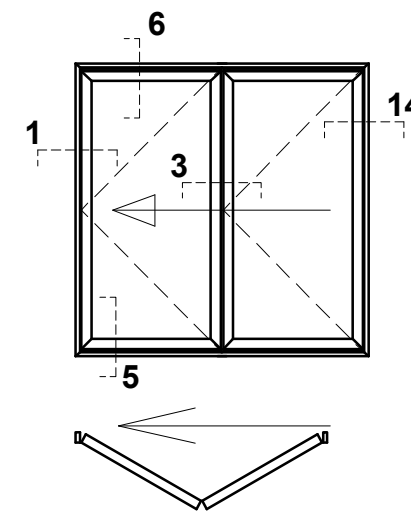
*Note: DV60 cover profile is optional.

Glass	
2 x	W/2 - 134.5
	H - 168

Accessories			
ACDV226	1	Shootbolt Handle	
ACDV234	1	'D' Handle	
ACDV244	(2 x W) + (2 x H) - 200	Rebate Gasket	
ACDV272	(Sash W - 78) (Sash H - 78)	Sealing Gasket	
ACDV272	Cut between hinges (Sash)	Sealing Gasket	
ACDV272	Frame W - 36	Sealing Gasket	
ACDV272	Cut between hinges (Frame)	Sealing Gasket	
ACDV275	2	Sash Gasket Corner Moulds	
ACDV331	11	Intermediate Hinges	
ACDV375	4	Outer Frame Gasket Corner Moulds	
ACDV512	8	DV617 Cleat	
ACDV571	8	Sash Bridge Packer	
ACDV580	1	Mullion Bottom Roller	
ACDV581	1	Mullion Top Guide	
ACDV582	Frame W - 36	Outer Frame Gasket	
ACDV620	16	DV620 Cleat	
ACDV643	1 Pair	DV662 End Caps	
ACDV663	1	Shootbolt Rod Pack	
ACDV667	1 Pair	Threshold Shootbolt Keeps	
ACDV670	1 Pair	DV670 End Caps	
ACET060	2xW @ 500 ctrs/3xH @ 500 ctrs	Self Tapping Screws	
ACET067	4	Screws	
ACET133	2	M5 x 50 Handle Screw	
ACET160	H - 109	Frame Rebate Gasket	
ACET840	4 x (W/2 - 134.5) + 4 x (H - 168)	External Glazing Gasket	
ACET842	4 x (W/2 - 134.5) + 4 x (H - 168)	Internal Glazing Gasket	
ACSG071	11	M4 x 40mm Machine Screws	
ACSR012A	4 x 47mm	Woolpile for End Caps	
ACVL059	1 Pair	VL72 End Caps	
ACVL061	W @ 500 ctrs	Rivet for VL72	
ACW20024	4	Outer Frame Chevron	
WCA106	8	Sash Chevron	

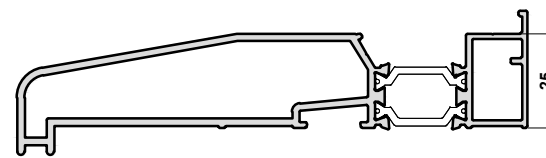
+ Optional: 1 x ACDV305 Magnetic Catch

Double Slide & Fold Door

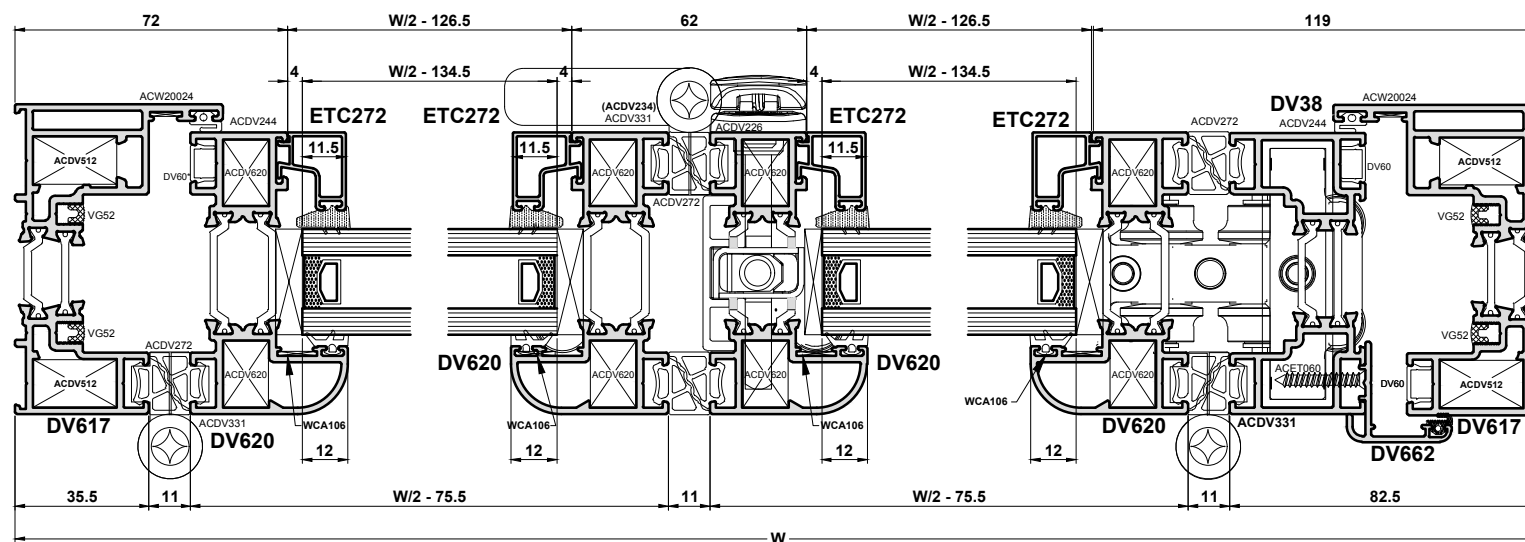


Important note

All deductions regarding heights are inclusive of DV670/DV570. This is due to there not being a face drained option, thus a sub-cill must always be used to channel the drainage away from the frame in the approved manner.

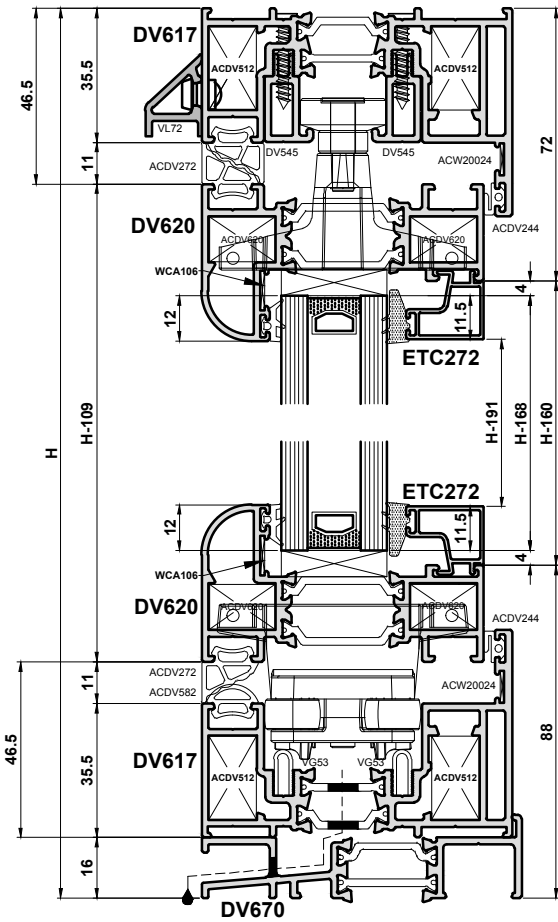


Increase all height deductions by 9mm or 18mm when using the projecting sub-cills.
9mm Deduction - ETC451, ETC452, ETC457, ETC458 & ETC479
18mm Deduction - ETC477



Do Not Scale From This Drawing

Cutting Information



Sections

DV38	1		H - 119
DV60*	4		H - 109
DV545	1		W - 36
DV545	1		150
DV545	1		W - 186
DV617	2		W
DV617	2		H - 16
DV620	6		W/3 - 60
DV620	6		H - 109
DV640	2		H - 113
DV662	1		H - 113
DV662	1		H - 109
DV670	1		W
PCX38	1		H - 135
PCX44	1		H - 113
VG52	4		H - 59
VG53	2		W - 26
VL72	1		W - 10
Bead	6		W/3 - 111
Bead	6		H - 191

*Note: DV60 cover profile is optional.

Glass	
3 x	W/3 - 119 H - 168

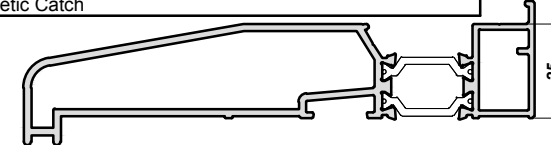
Accessories

ACDV226	1	Shootbolt Handle
ACDV234	1	D' Handle Hinge
ACDV244	(2 x W) + (2 x H) - 200	Rebate Gasket
ACDV251	1	Lever/Lever Handle
ACDV258	1	Cylinder
ACDV266	18	Lock & Keep Fixing Screw
ACDV272	(Sash W - 78) (Sash H - 78)	Sealing Gasket
ACDV272	Cut between hinges (Sash)	Sealing Gasket
ACDV272	Frame W - 36	Sealing Gasket
ACDV272	Cut between hinges (Frame)	Sealing Gasket
ACDV275	3	Sash Gasket Corner Moulds
ACDV331	15	Intermediate Hinges
ACDV375	4	Outer Frame Gasket Corner Moulds
ACDV512	8	DV617 Cleat
ACDV571	12	Sash Bridge Packer
ACDV576/577	1	Lock/Full Height Keep
ACDV580	1	Mullion Bottom Roller
ACDV581	1	Mullion Top Guide
ACDV582	Frame W - 36	Outer Frame Gasket
ACDV590	2	Isolator and Woolpile Carrier
ACDV620	24	DV620 Cleat
ACDV623	18	Lock & Keep Fixing Plate
ACDV640N	1 Pair	DV640/DV662 End Caps (Primary)
ACDV643	1 Pair	DV662 End Caps (Secondary)
ACDV663	1	Shootbolt Rod Pack
ACDV667	1 Pair	Threshold Shootbolt Keeps
ACDV670	1 Pair	DV670 End Caps
ACET060	2xW @ 500 ctrs/2xH @ 500 ctrs	Self Lapping Screws
ACET067	4	Screws
ACET133	2	M5 x 50 Handle Screw
ACET160	2x(H - 109)	Frame Rebate Gasket
ACET840	6 x (W/3 - 119) + 6 x (H - 168)	External Glazing Gasket
ACET842	6 x (W/3 - 119) + 6 x (H - 168)	Internal Glazing Gasket
ACSR012A	4 x 47mm	Woolpile for End Caps
ACVL059	1 Pair	VL72 End Caps
ACVL061	W @ 500 ctrs	Rivet for VL72
ACW20024	4	Outer Frame Chevron
WCA106	12	Sash Chevron

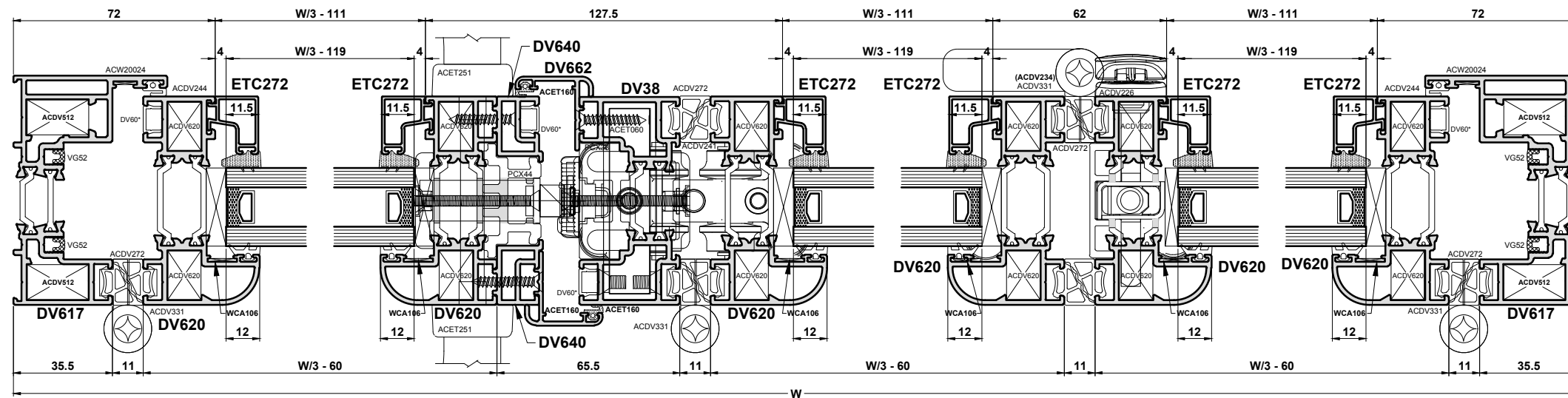
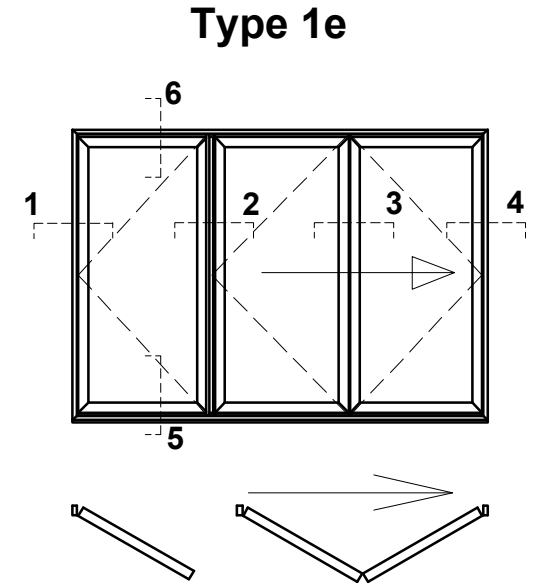
+ Optional: 1 x ACDV305 Magnetic Catch

Important note

All deductions regarding heights are inclusive of DV670/DV570. This is due to there not being a face drained option, thus a sub-cill must always be used to channel the drainage away from the frame in the approved manner.

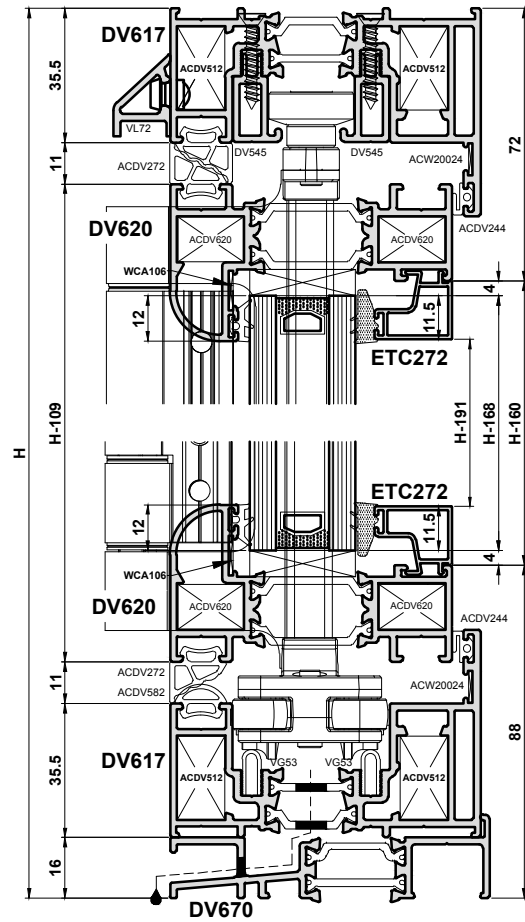


Increase all height deductions by 9mm or 18mm when using the projecting sub-cills.
9mm Deduction - ETC451, ETC452, ETC457, ETC458 & ETC479
18mm Deduction - ETC477



Do Not Scale From This Drawing

Cutting Information



Sections

DV60*	4		H - 109
DV545	1		W - 36
DV545	1		150
DV545	1		W - 186
DV545	2		H - 70
DV617	2		W
DV617	2		H - 16
DV620	6		W/3 - 44.5
DV620	6		H - 109
DV640	2		H - 113
DV662	1		H - 113
DV670	1		W
PCX44	1		H - 113
VG52	2		H - 59
VG53	2		W - 26
VL72	1		W - 10
Bead	6		W/3 - 96.5
Bead	6		H - 191

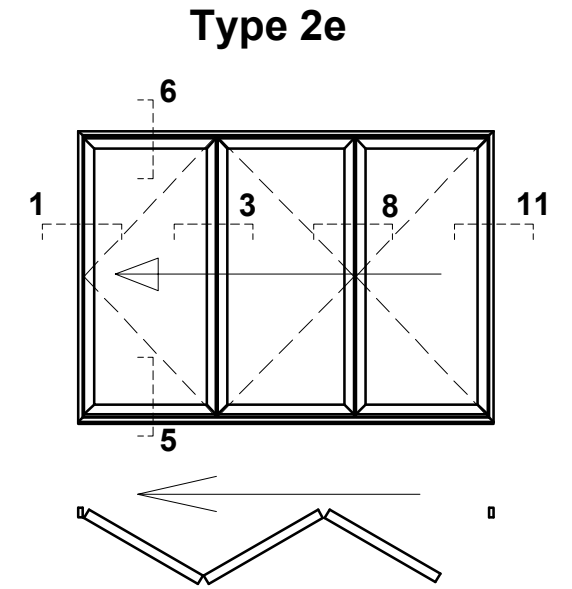
*Note: DV60 cover profile is optional.

Glass	
3 x	W/3 - 104.5
	H - 168

Accessories

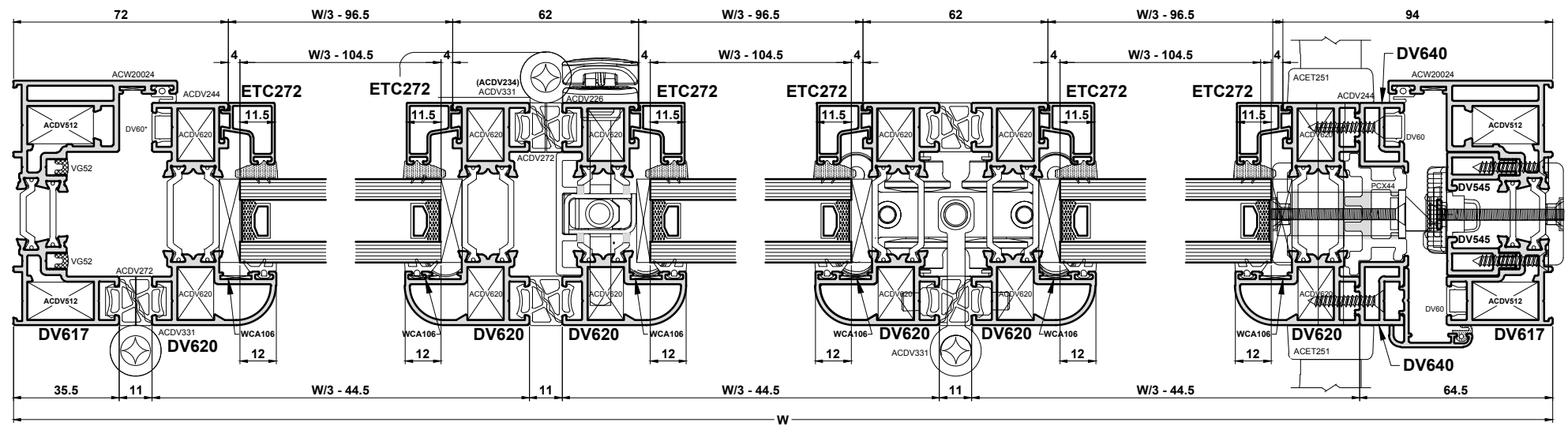
ACDV226	1	Shootbolt Handle
ACDV234	1	"D" Handle Hinge
ACDV244	(2 x W) + (2 x H) - 200	Rebate Gasket
ACDV251	1	Lever/Lever Handle
ACDV258	1	Cylinder
ACDV266	18	Lock & Keep Fixing Screw
ACDV272	(Sash W - 78) (Sash H - 78)	Sealing Gasket
ACDV272	Cut between hinges (Sash)	Sealing Gasket
ACDV272	Frame W - 36	Sealing Gasket
ACDV272	Cut between hinges (Frame)	Sealing Gasket
ACDV275	3	Sash Gasket Corner Moulds
ACDV331	9	Intermediate Hinges
ACDV375	4	Outer Frame Gasket Corner Moulds
ACDV512	8	DV617 Cleat
ACDV566	1	Bottom Roller Hinge
ACDV567	1	Top Guide Hinge
ACDV571	12	Sash Bridge Packer
ACDV576/577	1	Lock/Full Height Keep
ACDV582	Frame W - 36	Outer Frame Gasket
ACDV620	24	DV620 Cleat
ACDV623	18	Lock & Keep Fixing Plate
ACDV640N	1 Pair	DV640/DV662 End Caps (Primary)
ACDV663	1	Shootbolt Rod Pack
ACDV667	1 Pair	Threshold Shootbolt Keeps
ACDV670	1 Pair	DV670 End Caps
ACET060	2xW @ 500 ctrs/2xH @ 500 ctrs	Self Tapping Screws
ACET067	4	Screws
ACET133	2	M5 x 50 Handle Screw
ACET160	H - 109	Frame Rebate Gasket
ACET840	6 x (W/3 - 104.5) + 6 x (H - 168)	External Glazing Gasket
ACET842	6 x (W/3 - 104.5) + 6 x (H - 168)	Internal Glazing Gasket
ACVL059	1 Pair	VL72 End Caps
ACVL061	W @ 500 ctrs	Rivet for VL72
ACW20024	4	Outer Frame Chevron
WCA106	12	Sash Chevron

+ Optional: 1 x ACDV305 Magnetic Catch



Important note
All deductions regarding heights are inclusive of DV670/DV570.
This is due to there not being a face drained option, thus a sub-cill must always be used to channel the drainage away from the frame in the approved manner.

Increase all height deductions by 9mm or 18mm when using the projecting sub-cills.
9mm Deduction - ETC451, ETC452, ETC457, ETC458 & ETC479
18mm Deduction - ETC477



Do Not Scale From This Drawing

Cutting Information

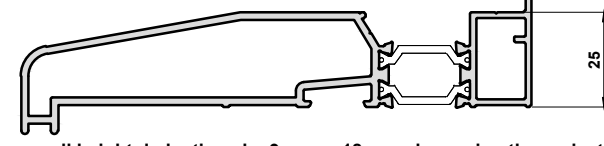
Sections			
DV60*	3	H - 109	
DV545	1	W - 36	
DV545	1	150	
DV545	1	W - 186	
DV545	2	H - 70	
DV617	2	W	
DV617	2	H - 16	
DV620	6	W/3 - 54	
DV620	6	H - 109	
DV640	2	H - 113	
DV651	1	H - 87	
DV652	1	H - 91	
DV662	1	H - 113	
DV670	1	W	
PCX44	1	H - 113	
VG53	2	W - 26	
VL72	1	W - 10	
Bead	6	W/3 - 105.5	
Bead	6	H - 191	

Accessories			
ACDV226	1	Shootbolt Handle	
ACDV234	1	'D' Handle Hinge	
ACDV244	(2 x W) + (2 x H) - 200	Rebate Gasket	
ACDV251	1	Lever/Lever Handle	
ACDV258	1	Cylinder	
ACDV266	18	45mm Lock & Keep Fixing Screw	
ACDV272	(Sash W - 78) (Sash H - 78)	Sealing Gasket	
ACDV272	Cut between hinges (Sash)	Sealing Gasket	
ACDV272	Frame W - 36	Sealing Gasket	
ACDV272	Cut between hinges (Frame)	Sealing Gasket	
ACDV275	3	Sash Gasket Corner Moulds	
ACDV331	9	Intermediate Hinges	
ACDV375	4	Outer Frame Gasket Corner Moulds	
ACDV512	8	DV617 Cleat	
ACDV566	1	Bottom Roller Hinge	
ACDV567	1	Top Guide Hinge	
ACDV571	12	Sash Bridge Packer	
ACDV576/577	1	Lock/Full Height Keep	
ACDV582	Frame W - 36	Outer Frame Gasket	
ACDV620	24	DV620 Cleat	
ACDV623	18	Lock & Keep Fixing Plate	
ACDV640N	1 Pair	DV640/DV662 End Caps (Primary)	
ACDV647	1 Pair	DV652 End Caps (Primary)	
ACDV663	1	Shootbolt Rod Pack	
ACDV667	1 Pair	Threshold Shootbolt Keeps	
ACDV670	1 Pair	DV670 End Caps	
ACET060	2xW @ 500 ctrs/2xH @ 500 ctrs	Self Tapping Screws	
ACET067	4	Screws	
ACET133	2	M5 x 50 Handle Screw	
ACET160	H - 109	Frame Rebate Gasket	
ACET840	6 x (W/3 - 113.5) + 6 x (H - 168)	External Glazing Gasket	
ACET842	6 x (W/3 - 113.5) + 6 x (H - 168)	Internal Glazing Gasket	
ACVL059	1 Pair	VL72 End Caps	
ACVL061	W @ 500 ctrs	Rivet for VL72	
ACW20024	4	Outer Frame Chevron	
WCA106	12	Sash Chevron	
+ Optional: 1 x ACDV305 Magnetic Catch			

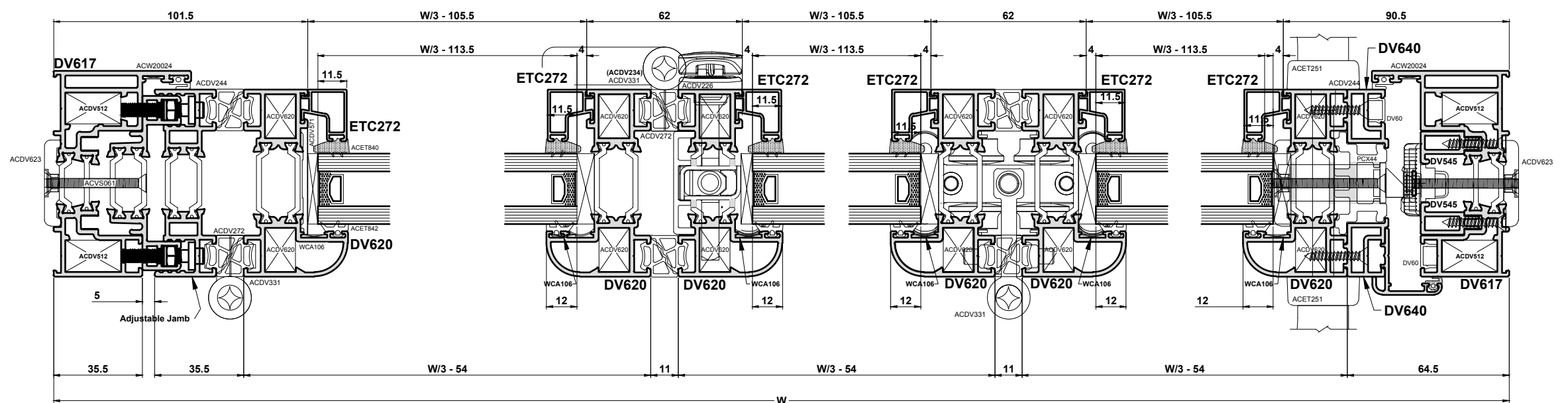
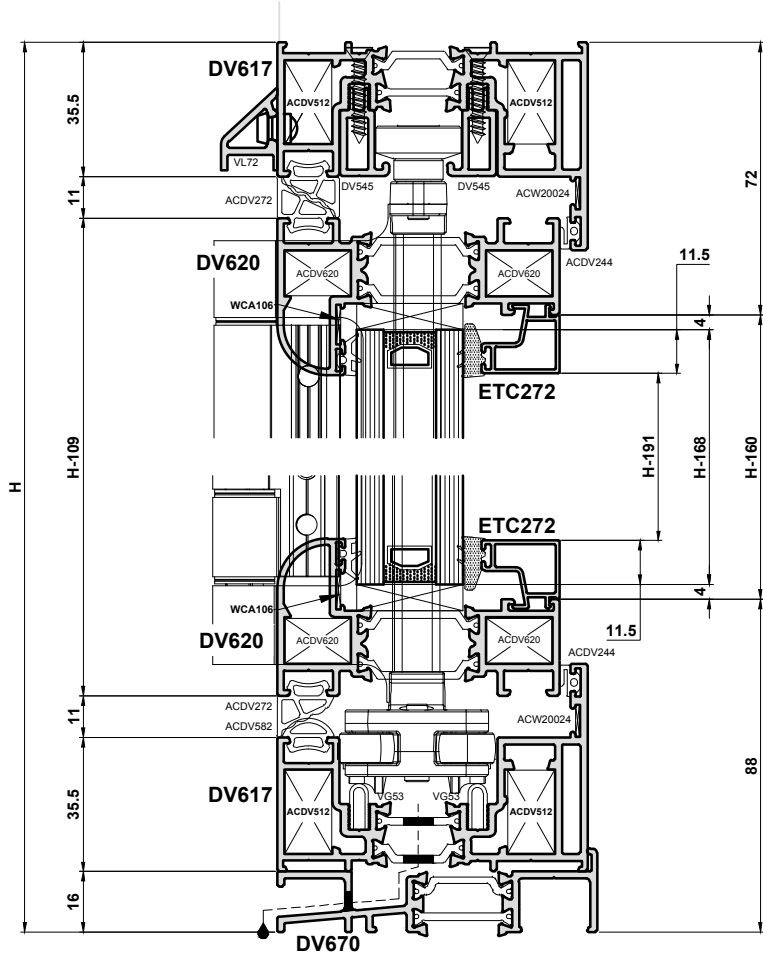
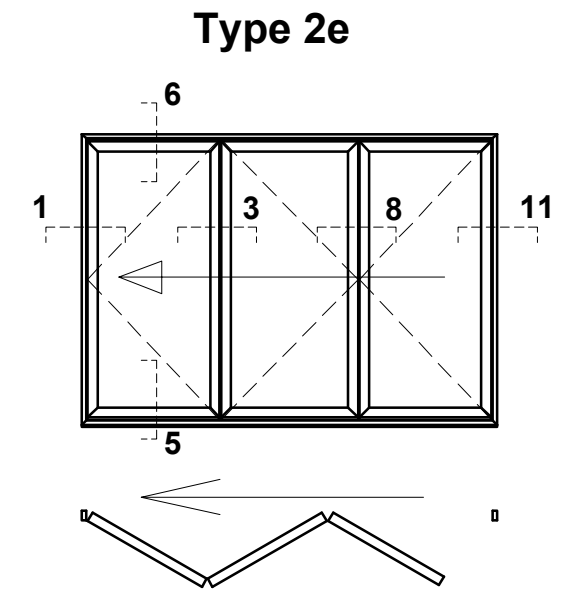
*Note: DV60 cover profile is optional.

Glass		
3 x	W/3 - 113.5	
	H - 168	

Important note
All deductions regarding heights are inclusive of DV670/DV570. This is due to there not being a face drained option, thus a sub-cill must always be used to channel the drainage away from the frame in the approved manner.

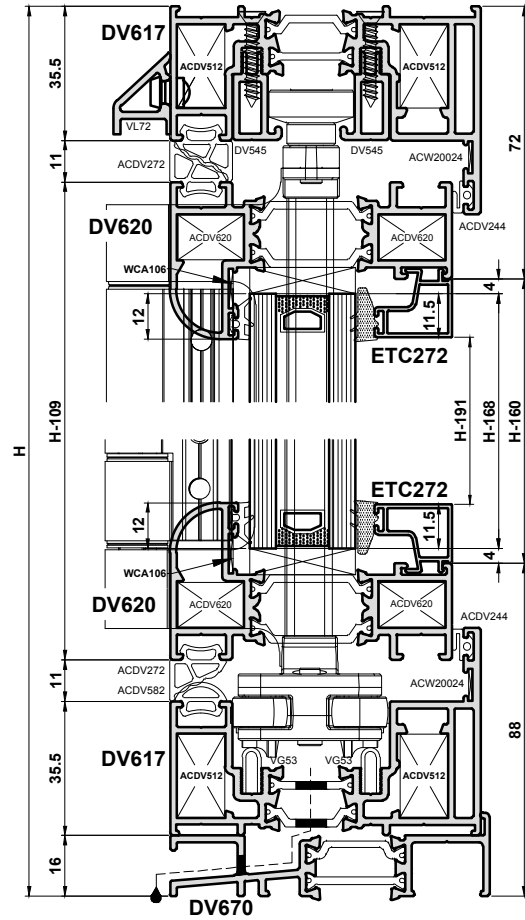


Increase all height deductions by 9mm or 18mm when using the projecting sub-cills. 9mm Deduction - ETC451, ETC452, ETC457, ETC458 & ETC479. 18mm Deduction - ETC477.



Do Not Scale From This Drawing

Cutting Information

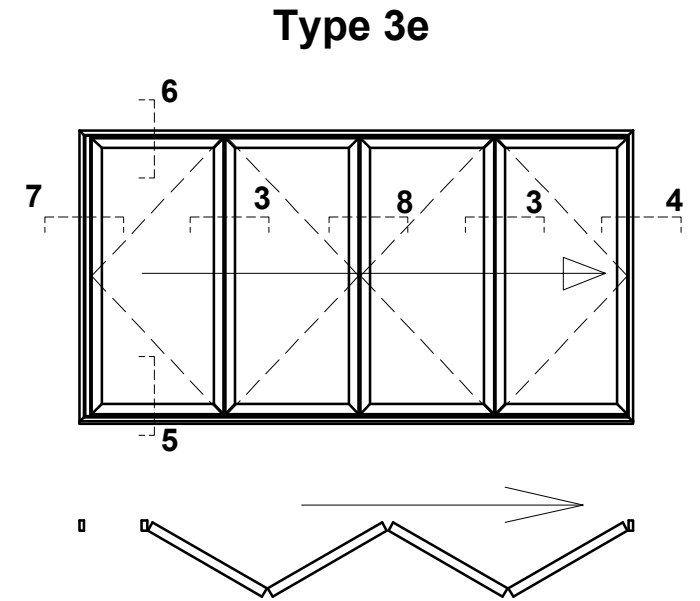


Sections			
DV38	1		H - 119
DV60*	3		H - 109
DV545	1		W - 36
DV545	1		150
DV545	1		W - 186
DV617	2		W
DV617	2		H - 16
DV620	8		W/4 - 43
DV620	8		H - 109
DV662	1		H - 109
DV670	1		W
VG52	4		H - 59
VG53	2		W - 26
VL72	1		W - 10
Bead	8		W/4 - 94
Bead	8		H - 191

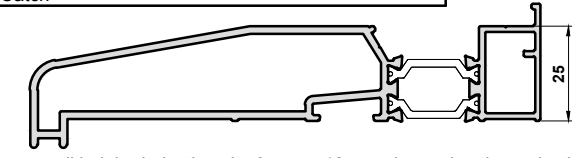
Accessories			
ACDV226	2		Shootbolt Handle
ACDV234	2		D' Handle Hinge
ACDV244	(2 x W) + (2 x H) - 200		Rebate Gasket
ACDV272	(Sash W - 78) (Sash H - 78)		Sealing Gasket
ACDV272	Cut between hinges (Sash)		Sealing Gasket
ACDV272	Frame W - 36		Sealing Gasket
ACDV272	Cut between hinges (Frame)		Sealing Gasket
ACDV275	4		Sash Gasket Corner Moulds
ACDV331	16		Intermediate Hinges
ACDV375	4		Outer Frame Gasket Corner Moulds
ACDV512	8		DV617 Cleat
ACDV566	1		Bottom Roller Hinge
ACDV567	1		Top Guide Hinge
ACDV571	16		Sash Bridge Packer
ACDV580	1		Mullion Bottom Roller
ACDV581	1		Mullion Top Guide
ACDV582	Frame W - 36		Outer Frame Gasket
ACDV590	2		Isolator and Woolpile Carrier
ACDV620	32		DV620 Cleat
ACDV643	1 Pair		DV662 End Caps
ACDV663	2		Shootbolt Rod Pack
ACDV667	2 Pairs		Threshold Shootbolt Keeps
ACDV670	1 Pair		DV670 End Caps
ACET060	2xW @ 500 ctrs/3xH @ 500 ctrs		Self Tapping Screws
ACET067	4		Screws
ACET133	2		M5 x 50 Handle Screw
ACET160	H - 109		Frame Rebate Gasket
ACET840	8 x (W/4 - 102) + 8 x (H - 168)		External Glazing Gasket
ACET842	8 x (W/4 - 102) + 8 x (H - 168)		Internal Glazing Gasket
ACSR012A	4 x 47mm		Woolpile for End Caps
ACVL059	1 Pair		VL72 End Caps
ACVL061	W @ 500 ctrs		Rivet for VL72
ACW20024	4		Outer Frame Chevron
WCA106	16		Sash Chevron
+ Optional: 1 x ACDV305 Magnetic Catch			

*Note: DV60 cover profile is optional.

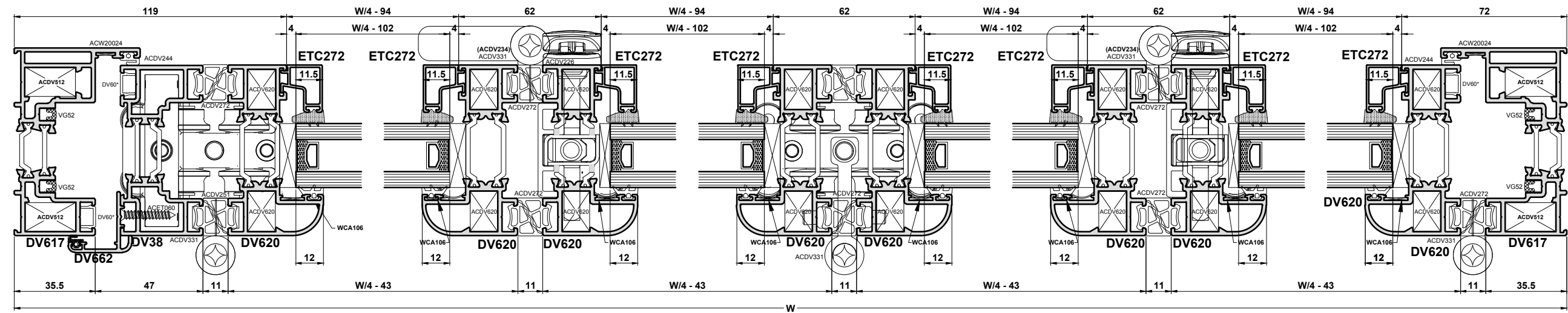
Glass		
4 x	W/4 - 102	
	H - 168	



Important note
All deductions regarding heights are inclusive of DV670/DV570. This is due to there not being a face drained option, thus a sub-cill must always be used to channel the drainage away from the frame in the approved manner.

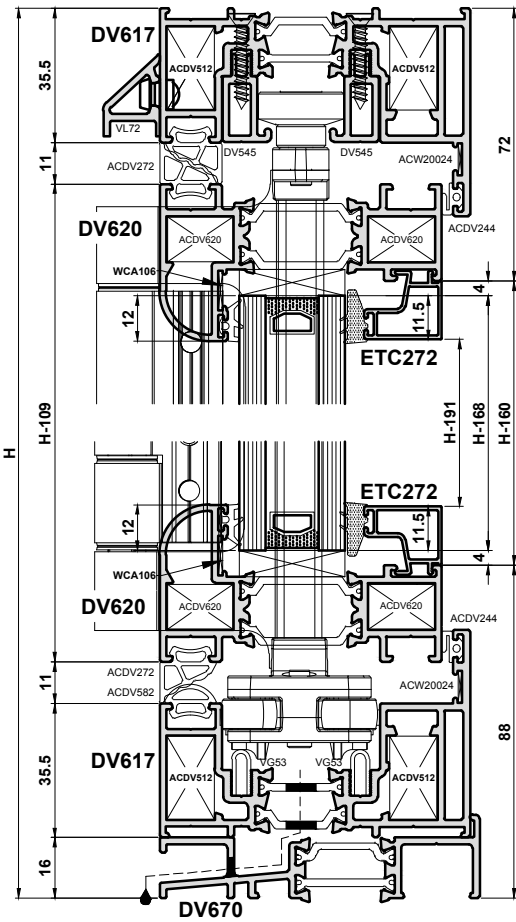


Increase all height deductions by 9mm or 18mm when using the projecting sub-cills.
9mm Deduction - ETC451, ETC452, ETC457, ETC458 & ETC479
18mm Deduction - ETC477



Do Not Scale From This Drawing

Cutting Information



Sections			
DV60*	4		H - 109
DV545	1		W - 36
DV545	1		150
DV545	1		W - 186
DV545	2		W/2 - 55
DV617	2		W
DV617	2		H - 16
DV620	8		W/4 - 42.5
DV620	8		H - 109
DV640	2		H - 113
DV645	2		H - 113
DV662	2		H - 113
DV670	1		W
PCX44	2		H - 113
VG52	4		H - 59
VG53	2		W/2 + 22
VL72	1		W - 10
Bead	8		W/4 - 94
Bead	8		H - 191

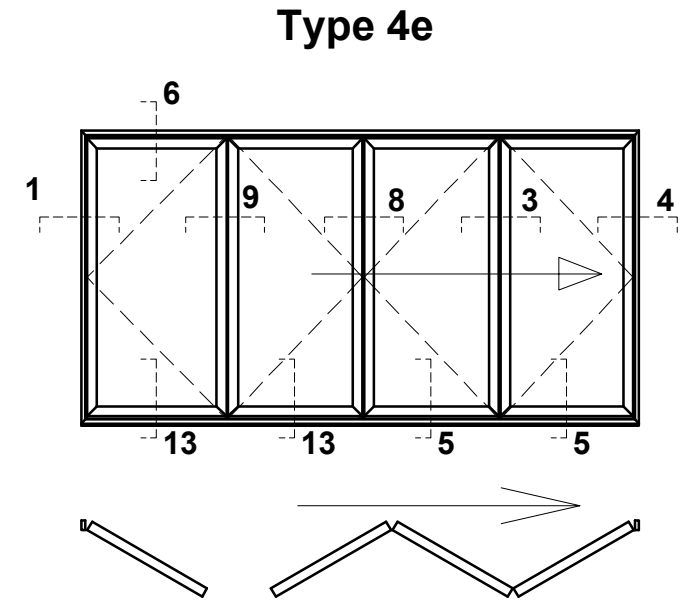
Accessories		
ACDV226	1	Shootbolt Handle
ACDV234	1	'D' Handle Hinge
ACDV241	9	Lock & Keep Fixing Plate
ACDV244	(2 x W) + (2 x H) - 200	Rebate Gasket
ACDV251	2 Pairs	Lever/Lever Handle
ACDV258	2	Cylinder
ACDV266	18	Lock & Keep Fixing Screw
ACDV272	(Sash W - 78) (Sash H - 78)	Sealing Gasket
ACDV272	Cut between hinges (Sash)	Sealing Gasket
ACDV272	Frame W - 36	Sealing Gasket
ACDV272	Cut between hinges (Frame)	Sealing Gasket
ACDV275	4	Sash Gasket Corner Moulds
ACDV331	13	Intermediate Hinges
ACDV375	4	Outer Frame Gasket Corner Moulds
ACDV512	8	DV617 Cleat
ACDV566	1	Bottom Roller Hinge
ACDV567	1	Top Guide Hinge
ACDV571	16	Sash Bridge Packer
ACDV582	Frame W - 36	Outer Frame Gasket
ACDV586N	1	Secondary Door Lock
ACDV620	32	DV620 Cleat
ACDV623	18	Lock & Keep Fixing Plate
ACDV640N	1 Pair	DV640/DV662 End Caps (Primary)
ACDV642N	1 Pair	DV662 End Caps (Secondary)
ACDV663	1	Shootbolt Rod Pack
ACDV667	1 Pair	Threshold Shootbolt Keeps
ACDV670	1 Pair	DV670 End Caps
ACDV676/677	1	Lock/Full Height Keep
ACDV737	1	Bottom Shoot Bolt
ACDV738	1	Top Shoot Bolt
ACET060	2xW @ 500 ctrs/3xH @ 500 ctrs	Self Tapping Screws
ACET067	4	Screws
ACET133	4	M5 x 50 Handle Screw
ACET160	2 x (H - 109)	Frame Rebate Gasket
ACET840	8 x (W/4 - 102) + 8 x (H - 168)	External Glazing Gasket
ACET842	8 x (W/4 - 102) + 8 x (H - 168)	Internal Glazing Gasket
ACVL059	1 Pair	VL72 End Caps
ACVL061	W @ 500 ctrs	Rivet for VL72
ACW20024	4	Outer Frame Chevron
WCA106	16	Sash Chevron

+ Optional: 1 x ACDV305 Magnetic Catch

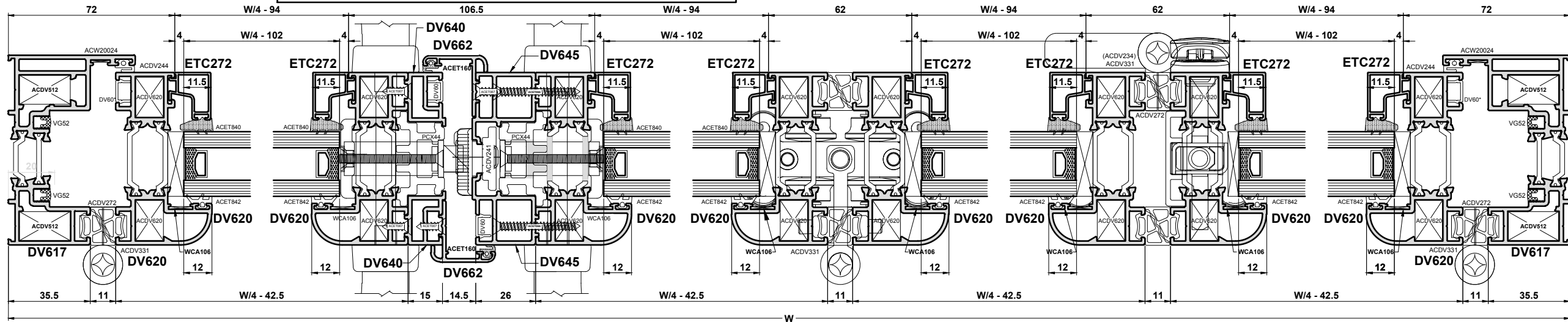
*Note: DV60 cover profile is optional.

Glass	
4 x	W/4 - 102 H - 168

Important note
All deductions regarding heights are inclusive of DV670/DV570. This is due to there not being a face drained option, thus a sub-cill must always be used to channel the drainage away from the frame in the approved manner.

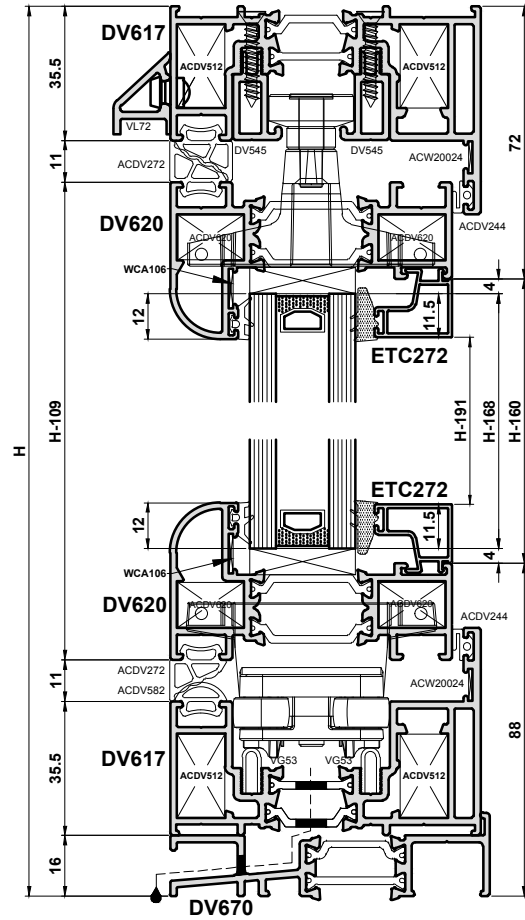


Increase all height deductions by 9mm or 18mm when using the projecting sub-cills.
9mm Deduction - ETC451, ETC452, ETC457, ETC458 & ETC479
18mm Deduction - ETC477



Do Not Scale From This Drawing

Cutting Information



Sections

DV38	2	H - 119
DV60*	4	H - 109
DV545	1	W - 36
DV545	1	150
DV545	1	W - 186
DV617	2	W
DV617	2	H - 16
DV620	8	W/4 - 55
DV620	8	H - 109
DV662	2	H - 109
DV670	1	W
VG52	4	H - 59
VG53	2	W - 26
VL72	1	W - 10
Bead	8	W/4 - 106
Bead	8	H - 191

*Note: DV60 cover profile is optional.

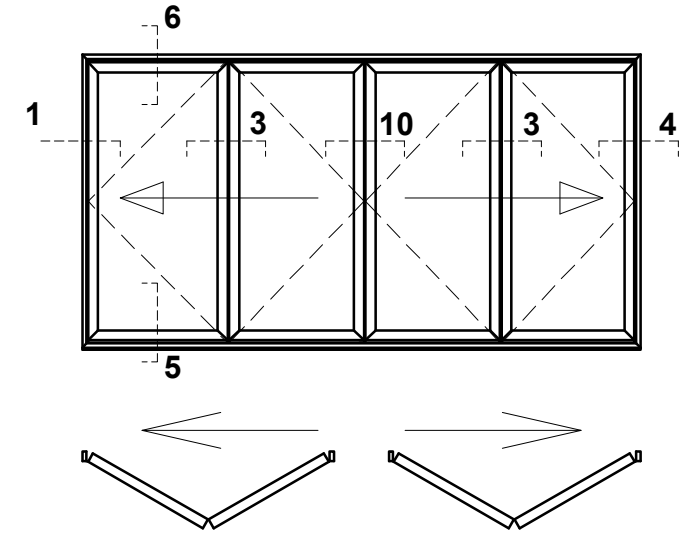
Glass	
4 x	W/4 - 114
	H - 168

Accessories

ACDV226	2	Shootbolt Handle
ACDV234	2	D' Handle Hinge
ACDV244	(2 x W) + (2 x H) - 200	Rebate Gasket
ACDV272	(Sash W - 78) (Sash H - 78)	Sealing Gasket
ACDV272	Cut between hinges (Sash)	Sealing Gasket
ACDV272	Frame W - 36	Sealing Gasket
ACDV272	Cut between hinges (Frame)	Sealing Gasket
ACDV275	4	Sash Gasket Corner Moulds
ACDV331	22	Intermediate Hinges
ACDV375	4	Outer Frame Gasket Corner Moulds
ACDV512	8	DV617 Cleat
ACDV571	16	Sash Bridge Packer
ACDV580	2	Bottom Mullion Roller
ACDV581	2	Top Guide
ACDV582	Frame W - 36	Outer Frame Gasket
ACDV620	32	DV620 Cleat
ACDV643	2 Pairs	DV662 End Caps
ACDV663	2	Shootbolt Rod Pack
ACDV667	2 Pairs	Threshold Shootbolt Keeps
ACDV670	1 Pair	DV670 End Caps
ACET060	2xW @ 500 ctrs/3xH @ 500 ctrs	Self Tapping Screws
ACET067	4	Screws
ACET133	4	M5 x 50 Handle Screw
ACET160	2 x (H - 109)	Frame Rebate Gasket
ACET840	8 x (W/4 - 114) + 8 x (H - 168)	External Glazing Gasket
ACET842	8 x (W/4 - 114) + 8 x (H - 168)	Internal Glazing Gasket
ACSR012A	8 x 47mm	Woolpile for End Caps
ACVL059	1 Pair	VL72 End Caps
ACVL061	W @ 500 ctrs	Rivet for VL72
ACW20024	4	Outer Frame Chevron
WCA106	16	Sash Chevron

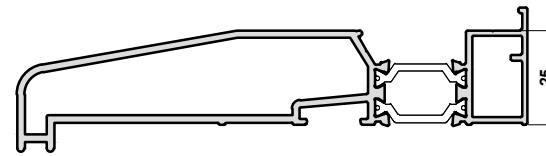
+ Optional: 1 x ACDV305 Magnetic Catch

Type 5e

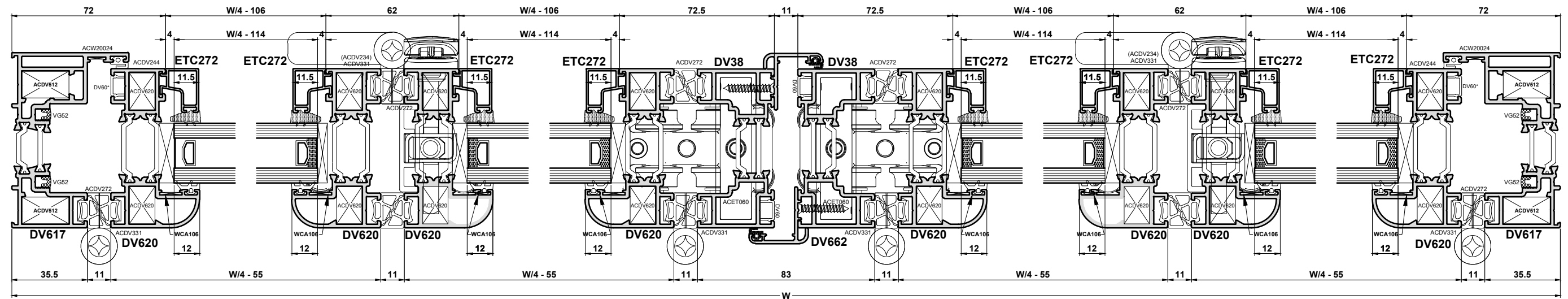


Important note

All deductions regarding heights are inclusive of DV670/DV570. This is due to there not being a face drained option, thus a sub-cill must always be used to channel the drainage away from the frame in the approved manner.

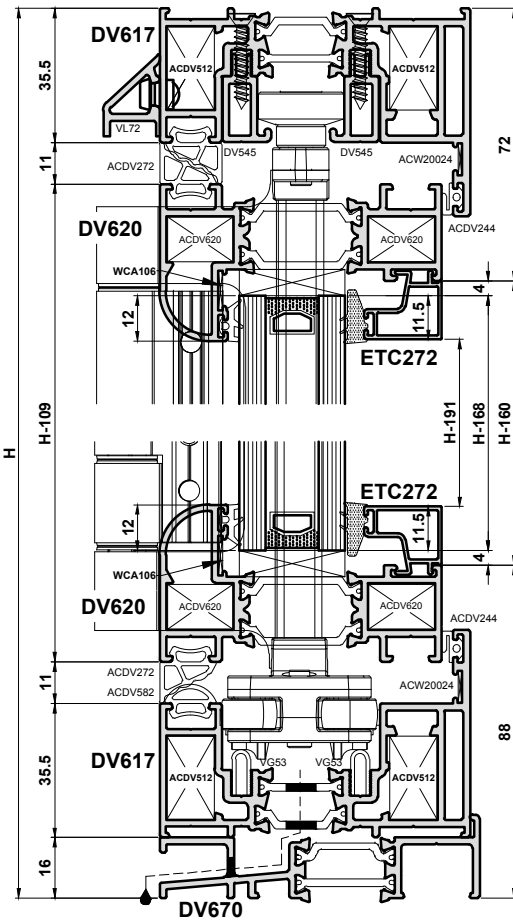


Increase all height deductions by 9mm or 18mm when using the projecting sub-cills.
9mm Deduction - ETC451, ETC452, ETC457, ETC458 & ETC479
18mm Deduction - ETC477



Do Not Scale From This Drawing

Cutting Information



Sections

DV60*	3		H - 109
DV545	1		W - 36
DV545	1		150
DV545	1		W - 186
DV545	2		H - 70
DV617	2		W
DV617	2		H - 16
DV620	10		W/5 - 31
DV620	10		H - 109
DV640	2		H - 113
DV662	1		H - 113
DV670	1		W
PCX44	1		H - 113
VG52	2		H - 59
VG53	2		W - 26
VL72	1		W - 10
Bead	10		W/5 - 82
Bead	10		H - 191

*Note: DV60 cover profile is optional.

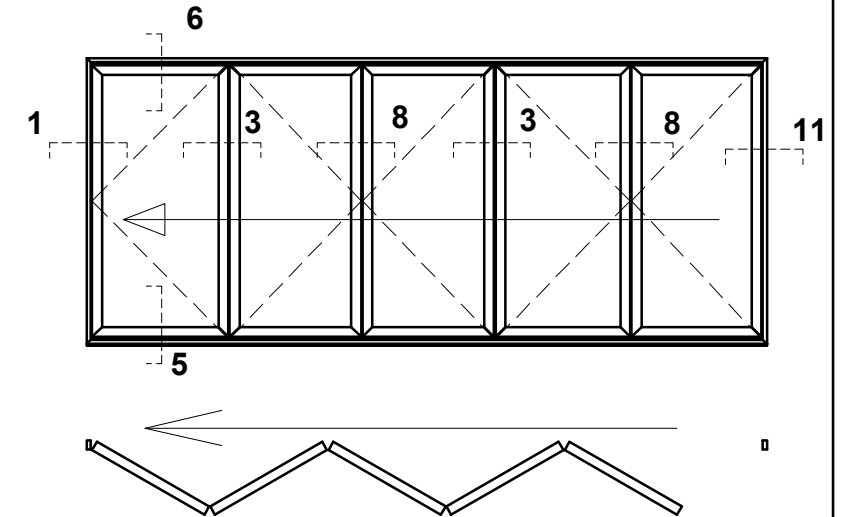
Glass	
5 x	W/5 - 90
	H - 168

Accessories

ACDV226	2	Shootbolt Handle
ACDV234	2	D' Handle Hinge
ACDV244	(2 x W) + (2 x H) - 200	Rebate Gasket
ACDV251	1 Pair	Lever/Lever Handle
ACDV258	1	Cylinder
ACDV266	18	Lock & Keep Fixing Screw
ACDV272	(Sash W - 78) (Sash H - 78)	Sealing Gasket
ACDV272	Cut between hinges (Sash)	Sealing Gasket
ACDV272	Frame W - 36	Sealing Gasket
ACDV272	Cut between hinges (Frame)	Sealing Gasket
ACDV275	5	Sash Gasket Corner Moulds
ACDV331	14	Intermediate Hinges
ACDV375	4	Outer Frame Gasket Corner Moulds
ACDV512	8	DV617 Cleat
ACDV566	2	Bottom Roller Hinge
ACDV567	2	Top Guide Hinge
ACDV571	20	Sash Bridge Packer
ACDV576/577	1	Lock/Full Height Keep
ACDV582	Frame W - 36	Outer Frame Gasket
ACDV620	40	DV620 Cleat
ACDV623	18	Lock & Keep Fixing Plate
ACDV640N	1 Pair	DV640/DV662 End Caps
ACDV663	2	Shootbolt Rod Pack
ACDV667	2 Pairs	Threshold Shootbolt Keeps
ACDV670	1 Pair	DV670 End Caps
ACET060	2xW @ 500 ctrs/3xH @ 500 ctrs	Self Tapping Screws
ACET067	4	Screws
ACET133	2	M5 x 50 Handle Screw
ACET160	H - 109	Frame Rebate Gasket
ACET840	8 x (W/5 - 90) + 8 x (H - 168)	External Glazing Gasket
ACET842	8 x (W/5 - 90) + 8 x (H - 168)	Internal Glazing Gasket
ACVL059	1 Pair	VL72 End Caps
ACVL061	W @ 500 ctrs	Rivet for VL72
ACW20024	4	Outer Frame Chevron
WCA106	20	Sash Chevron

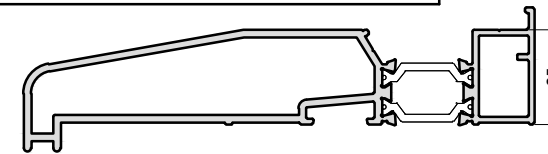
+ Optional: 1 x ACDV305 Magnetic Catch

Type 6e

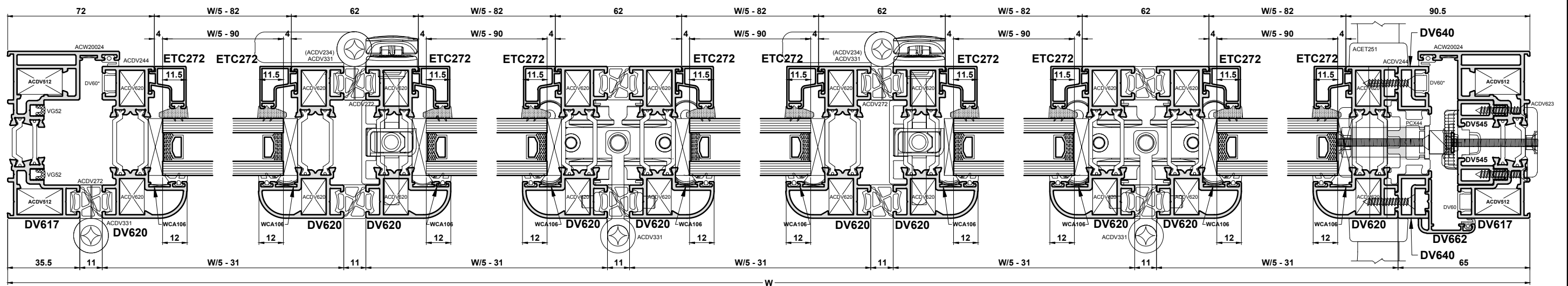


Important note

All deductions regarding heights are inclusive of DV670/DV570. This is due to there not being a face drained option, thus a sub-cill must always be used to channel the drainage away from the frame in the approved manner.

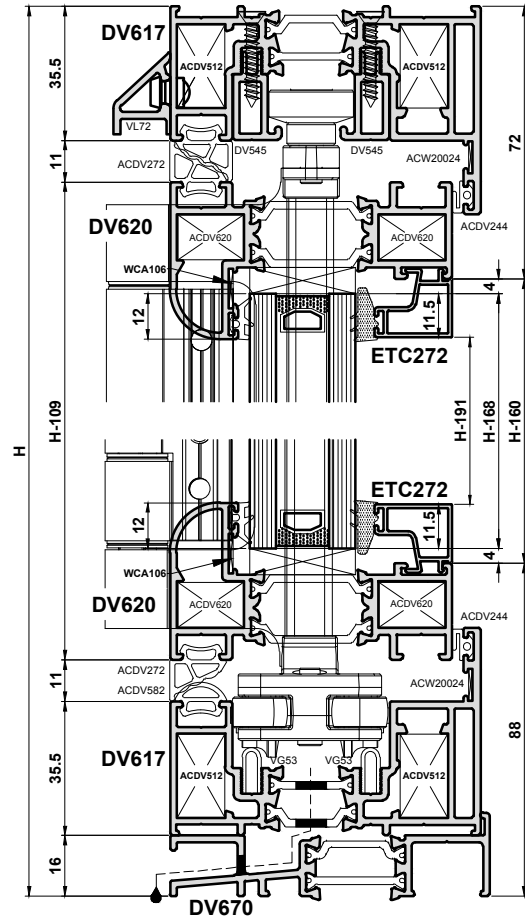


Increase all height deductions by 9mm or 18mm when using the projecting sub-cills.
9mm Deduction - ETC451, ETC452, ETC457, ETC458 & ETC479
18mm Deduction - ETC477



Do Not Scale From This Drawing

Cutting Information



Sections			
DV38	1		H - 119
DV60*	4		H - 109
DV545	1		W - 36
DV545	1		150
DV545	1		W - 186
DV617	2		W
DV617	2		H - 16
DV620	10		W/5 - 40,5
DV620	10		H - 109
DV640	2		H - 113
DV662 ^(a)	1		H - 113
DV662 ^(b)	1		H - 109
DV670	1		W
PCX38	1		H - 109
PCX44	1		H - 113
VG52	4		H - 59
VG53	2		W - 26
VL72	1		W - 10
Bead	4		W/5 - 91,5
Bead	4		H - 191

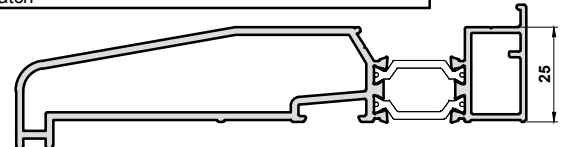
*Note: DV60 cover profile is optional.

Glass	
5 x	W/5 - 99,5
	H - 168

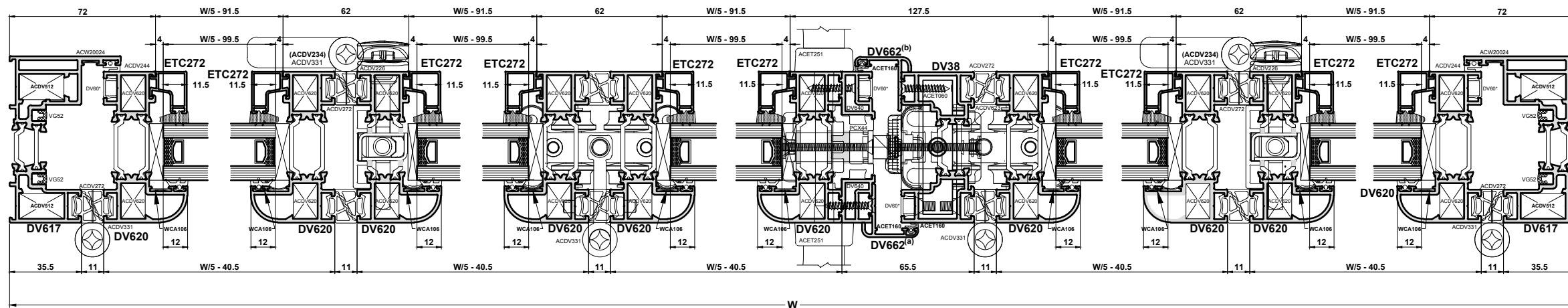
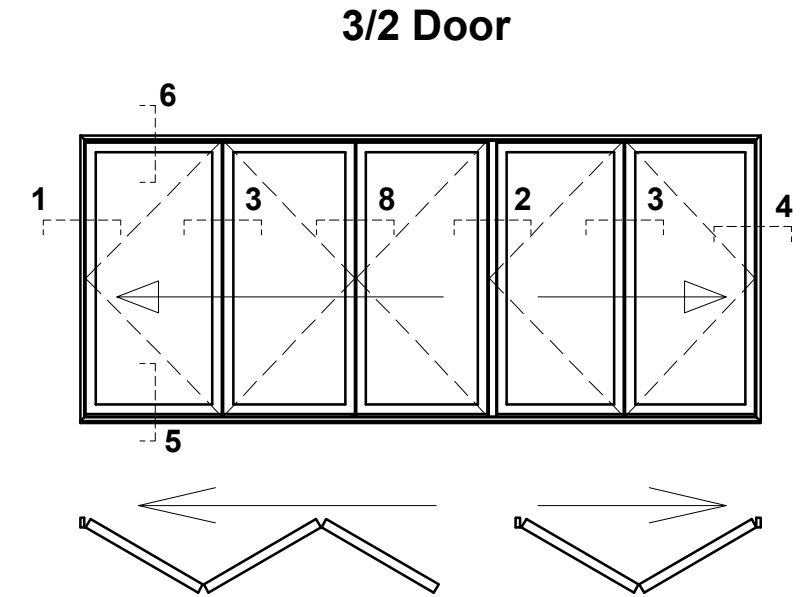
Accessories		
ACDV226	2	Shootbolt Handle
ACDV234	2	'D' Handle
ACDV244	(2 x W) + (2 x H) - 200	Rebate Gasket
ACDV251	1 Pair	Lever/Lever Handle
ACDV258	1	Cylinder
ACDV266	18	45mm Lock & Keep Fixing Screw
ACDV272	(Sash W - 78) (Sash H - 78)	Sealing Gasket
ACDV272	Cut between hinges (Sash)	Sealing Gasket
ACDV272	Frame W - 36	Sealing Gasket
ACDV272	Cut between hinges (Frame)	Sealing Gasket
ACDV275	5	Sash Gasket Corner Moulds
ACDV331	20	Intermediate Hinges
ACDV375	4	Outer Frame Gasket Corner Moulds
ACDV512	8	DV617 Cleat
ACDV566	1	Bottom Roller Hinge
ACDV567	1	Top Guide Hinge
ACDV571	20	Sash Bridge Packer
ACDV576/577	1	Lock/Full Height Keep
ACDV580	1	Mullion Bottom Roller
ACDV581	1	Mullion Top Guide
ACDV582	Frame W - 36	Outer Frame Gasket
ACDV620	40	DV620 Cleat
ACDV623	18	Lock & Keep Fixing Plate
ACDV640N	1 Pair	DV640/DV662 End Caps
ACDV643	1 Pair	DV662 End Caps
ACDV663	2	Shootbolt Rod Pack
ACDV667	2 Pairs	Threshold Shootbolt Keeps
ACDV670	1 Pair	DV670 End Caps
ACET060	2xW @ 500 ctrs/3xH @ 500 ctrs	Self Tapping Screws
ACET067	4	Screws
ACET133	2	M5 x 50 Handle Screw
ACET160	2 x (H - 109)	Frame Rebate Gasket
ACET840	4 x (W/5 - 99,5) + 4 x (H - 168)	External Glazing Gasket
ACET842	4 x (W/5 - 99,5) + 4 x (H - 168)	Internal Glazing Gasket
ACSR012A	4 x 47mm	Woolpile for End Caps
ACVL059	1 Pair	VL72 End Caps
ACVL061	W @ 500 ctrs	Rivet for VL72
ACW20024	4	Outer Frame Chevron
WCA106	20	Sash Chevron

+ Optional: 1 x ACDV305 Magnetic Catch

Important note
All deductions regarding heights are inclusive of DV670/DV570. This is due to there not being a face drained option, thus a sub-cill must always be used to channel the drainage away from the frame in the approved manner.

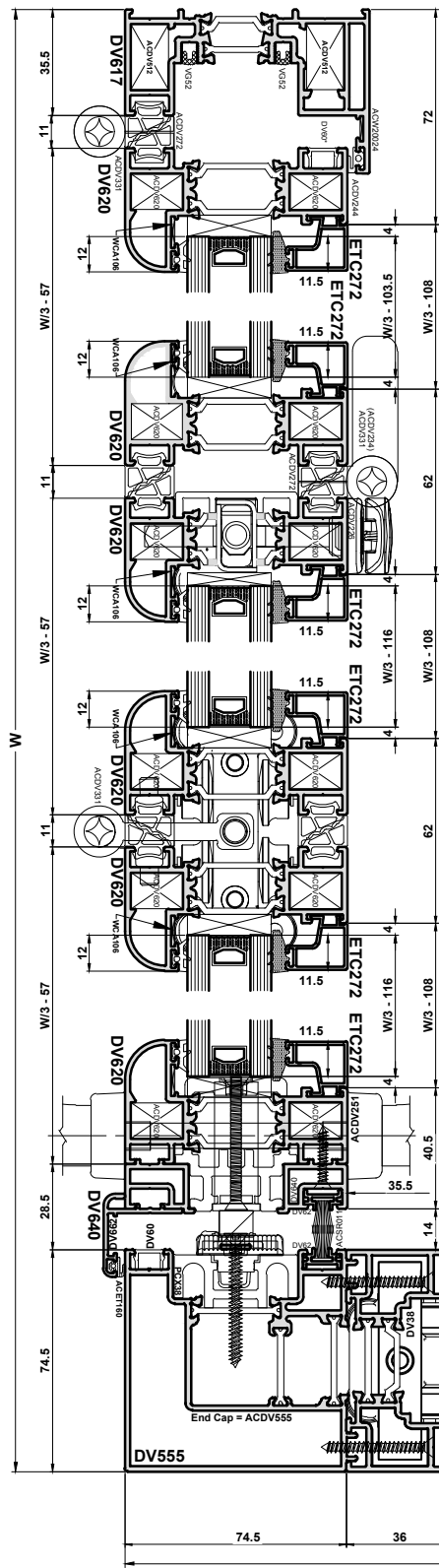


Increase all height deductions by 9mm or 18mm when using the projecting sub-cills.
9mm Deduction - ETC451, ETC452, ETC457, ETC458 & ETC479
18mm Deduction - ETC477



Do Not Scale From This Drawing

Cutting Information



① Sections

DV60*	2		H - 109
DV62	1		H - 113
DV545	1		W - 35
DV545	1		150
DV545	1		W - 213
DV617	2		W
DV617	1		H - 16
DV620	6		W/3 - 57
DV620	6		H - 109
DV640	2		H - 113
DV662	1		H - 113
DV670	1		W
PCX44	1		H - 113
VG52	2		H - 59
VG53	1		W - 37
VG53	1		W - 69
VL72	1		W - 10
Bead	6		W/3 - 108
Bead	6		H - 191

*Note: DV60 cover profile is optional.

Glass	
3 x	W/3 - 116
	H - 168

② Sections

DV38	1		H - 119
DV60*	2		H - 109
DV62	1		H - 109
DV545	1		W - 35
DV545	1		150
DV545	1		W - 213
DV617	2		W
DV617	1		H - 16
DV620	8		W/4 - 50
DV620	8		H - 109
DV670	1		W
PCX38	1		H - 109
VG52	2		H - 59
VG53	1		W - 43
VG53	1		W - 74
VL72	1		W - 10
Bead	8		W/4 - 101
Bead	8		H - 191

*Note: DV60 cover profile is optional.

Glass	
4 x	W/4 - 109
	H - 168

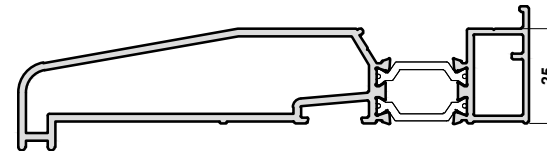
Note: PCX15 required for leaf heights over 2285 and for PCX44.

Accessories

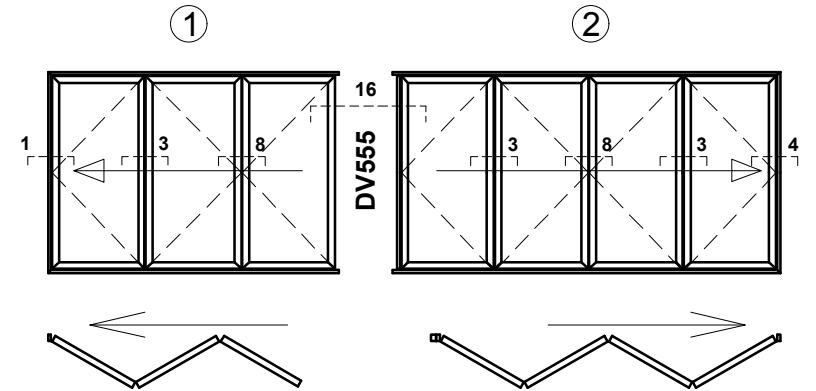
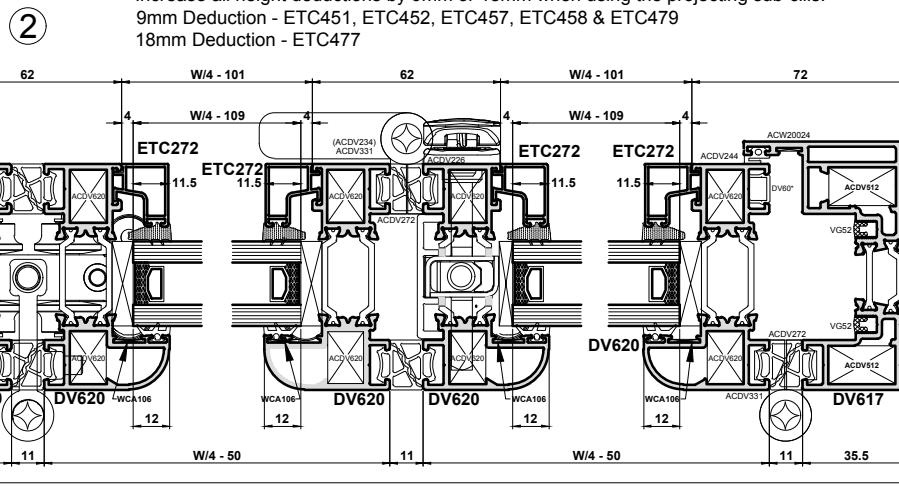
ACDV226	3	Shootbolt Handle
ACDV234	3	'D' Handle
ACDV244	(2 x W) + (2 x H) - 200	Rebate Gasket
ACDV251	1 Pair	Lever/Lever Handle
ACDV258	1	Cylinder
ACDV266	9	45mm Lock & Keep Fixing Screw
ACDV272	(Sash W - 78) (Sash H - 78)	Sealing Gasket
ACDV272	Cut between hinges (Sash)	Sealing Gasket
ACDV272	2 x Frame W - 36 (Mitred)	Sealing Gasket
ACDV272	Cut between hinges (Frame)	Sealing Gasket
ACDV275	7	Sash Gasket Corner Moulds
ACDV331	21	Intermediate Hinges
ACDV375	4	Outer Frame Gasket Corner Moulds
ACDV512	8	DV617 Cleat
ACDV555	1 Pair	DV555 Corner Post End Caps
ACDV566	2	Bottom Roller Hinge
ACDV567	2	Top Guide Hinge
ACDV571	28	Sash Bridge Packer
ACDV576/577	1	Lock/Full Height Keep
ACDV580	1	Mullion Bottom Roller
ACDV581	1	Mullion Top Guide
ACDV582	2 x Frame W - 36 (Mitred)	Outer Frame Gasket
ACDV620	56	DV620 Cleat
ACDV623	9	Lock & Keep Fixing Plate
ACDV640N	1 Pair	DV640/DV662 End Caps
ACDV663	3	Shootbolt Rod Pack
ACDV667	3 Pairs	Threshold Shootbolt Keeps
ACDV670	1 Pair	DV670 End Caps
ACDV682	1 Set	90° Outerframe Fixing Bracket
ACET060	2xW @ 500 ctrs/3xH @ 500 ctrs	Self Tapping Screws
ACET067	4	Screws
ACET133	2	M5 x 50 Handle Screw
ACET160	H - 109	Frame Rebate Gasket
ACET840	6 x (W/3 - 90) + 6 x (H - 191)	External Glazing Gasket
ACET840	4 x (W/3 - 90) + 4 x (H - 191)	External Glazing Gasket
ACET842	6 x (W/3 - 113) + 6 x (H - 191)	Internal Glazing Gasket
ACET842	4 x (W/3 - 113) + 4 x (H - 191)	Internal Glazing Gasket
ACSR012A	4 x 47mm	Woolpile for End Caps
ACVL059	1 Pair	VL72 End Caps
ACVL061	W @ 500 ctrs	Rivet for VL72
ACW20024	4	Outer Frame Chevron
WCA106	28	Sash Chevron

+ Optional: 1 x ACDV305 Magnetic Catch

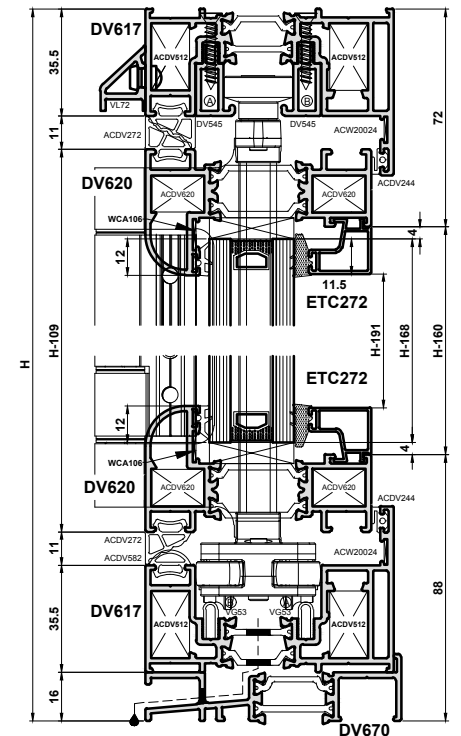
If using sub-cills please order ACET440 & ACET041 cleats for 90° corner.



Increase all height deductions by 9mm or 18mm when using the projecting sub-cills.
 9mm Deduction - ETC451, ETC452, ETC457, ETC458 & ETC479
 18mm Deduction - ETC477



Important note
 All deductions regarding heights are inclusive of DV670/DV570.
 This is due to there not being a face drained option, thus a sub-cill must always be used to channel the drainage away from the frame in the approved manner.



Do Not Scale From This Drawing

Cutting Information

① Sections

DV38		1		H - 119
DV60*		1		H - 109
DV545	⊕	1		W - 35
DV545		1		150
DV545	⊕	1		W - 213
DV617	A-B	2	A B	W
DV617		1		H - 16
DV620		8		W/4 - 53
DV620		8		H - 109
DV670		1		W
VG52		2		H - 59
VG53		1		W - 37
VG53		1		W - 69
VL72		1		W - 10
Bead		8		W/4 - 104
Bead		8		H - 191

*Note: DV60 cover profile is optional.

Glass	
4 x	W/4 - 112 H - 168

② Sections

DV38		1		H - 119
DV60*		1		H - 109
DV545	⊕	1		W - 35
DV545		1		150
DV545	⊕	1		W - 213
DV617	A-B	2	A B	W
DV617		1		H - 16
DV620		8		W/4 - 50
DV620		8		H - 109
DV670		1		W
VG52		2		H - 59
VG53		1		W - 43
VG53		1		W - 74
VL72		1		W - 10
Bead		8		W/4 - 101
Bead		8		H - 191

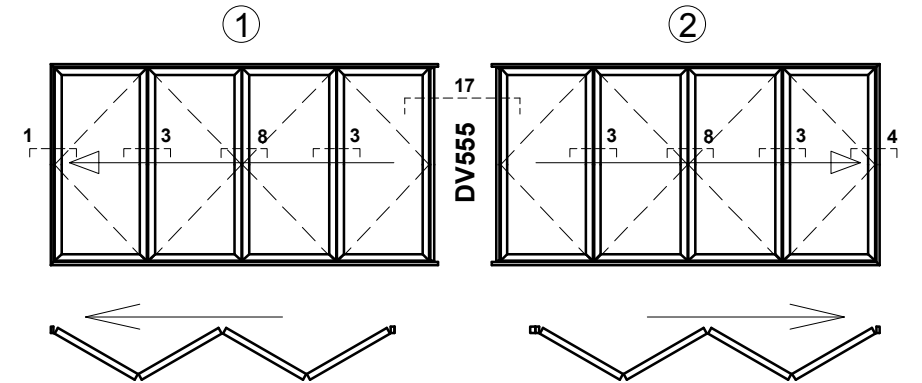
*Note: DV60 cover profile is optional.

Glass	
4 x	W/4 - 109 H - 168

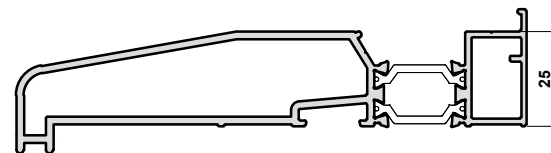
Accessories

ACDV226	4	Shootbolt Handle
ACDV234	4	'D' Handle
ACDV244	(2 x W) + (2 x H) - 200	Rebate Gasket
ACDV272	(Sash W - 78) (Sash H - 78)	Sealing Gasket
ACDV272	Cut between hinges (Sash)	Sealing Gasket
ACDV272	2 x Frame W - 36 (Mitred)	Sealing Gasket
ACDV272	Cut between hinges (Frame)	Sealing Gasket
ACDV275	8	Sash Gasket Corner Moulds
ACDV331	23	Intermediate Hinges
ACDV375	4	Outer Frame Gasket Corner Moulds
ACDV512	8	DV617 Cleat
ACDV555	1 Pair	DV555 Corner Post End Caps
ACDV566	2	Bottom Roller Hinge
ACDV567	2	Top Guide Hinge
ACDV571	32	Sash Bridge Packer
ACDV580	2	Mullion Bottom Roller
ACDV581	2	Mullion Top Guide
ACDV582	2 x Frame W - 36 (Mitred)	Outer Frame Gasket
ACDV620	64	DV620 Cleat
ACDV663	4	Shootbolt Rod Pack
ACDV667	4 Pairs	Threshold Shootbolt Keeps
ACDV670	1 Pair	DV670 End Caps
ACDV682	1 Set	90° Outerframe Fixing Bracket
ACET060	2xW @ 500 ctrs/3xH @ 500 ctrs	Self Tapping Screws
ACET067	4	Screws
ACET133	8	M5 x 50 Handle Screw
ACET840	8 x (W/4 - 112) + 8 x (H - 191)	External Glazing Gasket
ACET840	8 x (W/4 - 109) + 8 x (H - 191)	External Glazing Gasket
ACET842	8 x (W/4 - 135) + 8 x (H - 191)	Internal Glazing Gasket
ACET842	8 x (W/4 - 124) + 8 x (H - 191)	Internal Glazing Gasket
ACSG071	11	M4 x 40mm Machine Screw
ACSR012A	2 x 68mm	Woolpile for End Caps
ACVL059	2 Pairs	VL72 End Caps
ACVL061	W @ 500 ctrs	Rivet for VL72
ACW20024	4	Outer Frame Chevron
WCA106	28	Sash Chevron

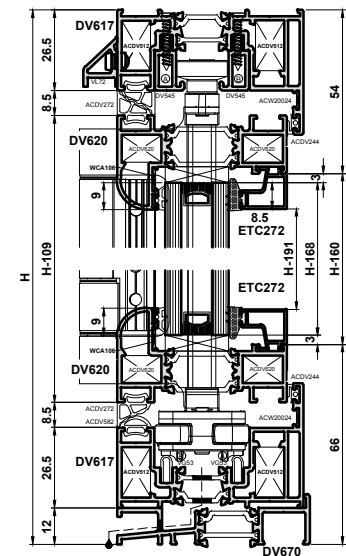
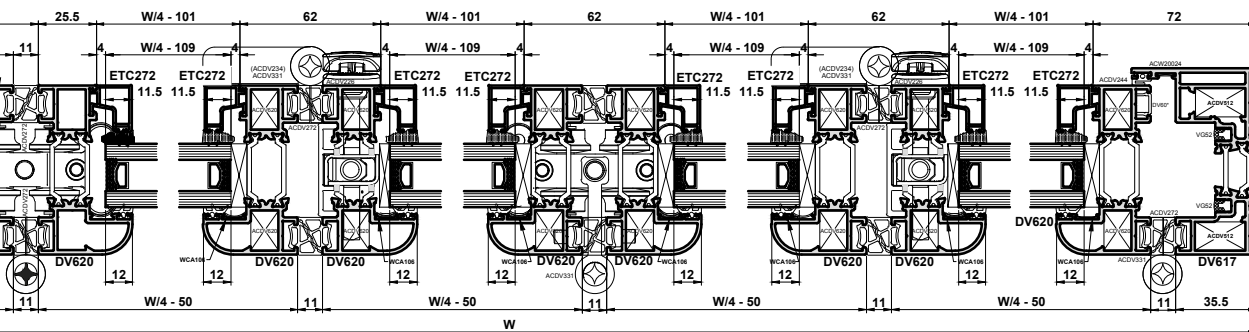
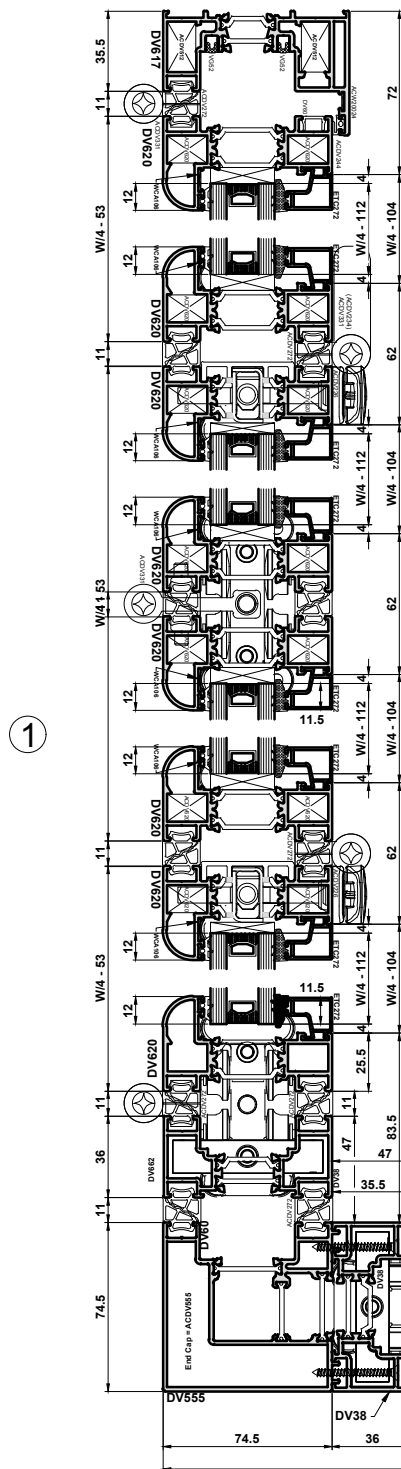
+ Optional: 1 x ACDV305 Magnetic Catch
If using sub-cills please order ACET440 & ACET041 cleats for 90° corner.



Important note
All deductions regarding heights are inclusive of DV670/DV570. This is due to there not being a face drained option, thus a sub-cill must always be used to channel the drainage away from the frame in the approved manner.

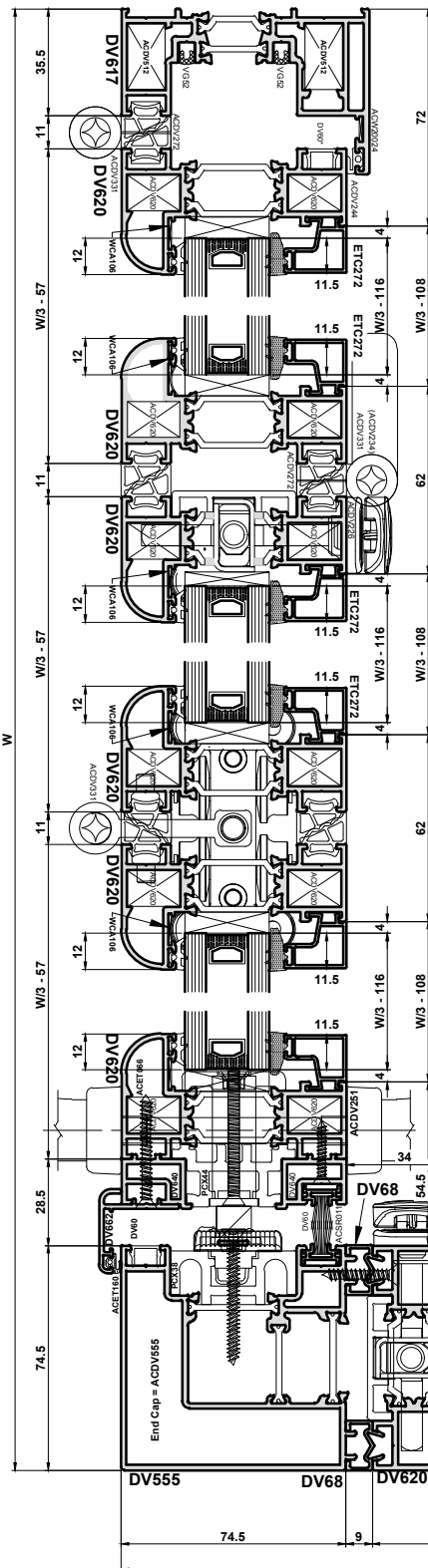


Increase all height deductions by 9mm or 18mm when using the projecting sub-cills.
9mm Deduction - ETC451, ETC452, ETC457, ETC458 & ETC479
18mm Deduction - ETC477



Do Not Scale From This Drawing

Cutting Information



1 Sections

DV60*	1		H - 109
DV62	1		H - 113
DV545	1		W - 35
DV545	1		150
DV545	1		W - 213
DV617	2		W
DV617	1		H - 16
DV620	6		W/3 - 57
DV620	6		H - 109
DV640	2		H - 113
DV662	1		H - 113
DV670	1		W
PCX44	1		H - 113
VG52	2		H - 59
VG53	1		W - 37
VG53	1		W - 69
VL72	1		W - 10
Bead	6		W/3 - 108
Bead	6		H - 191

*Note: DV60 cover profile is optional.

Glass	
3 x	W/3 - 116
	H - 168

2 Sections

DV60*	2		H - 109
DV62	1		H - 109
DV68	2		H - 109
DV545	1		W - 35
DV545	1		150
DV545	1		W - 213
DV617	2		W
DV617	1		H - 16
DV620	6		W/3 - 51
DV620	6		H - 109
DV670	1		W
PCX38	1		H - 109
VG52	2		H - 59
VG53	1		W - 43
VG53	1		W - 74
VL72	1		W - 10
Bead	6		W/3 - 102
Bead	6		H - 191

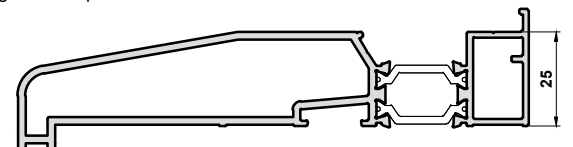
*Note: DV60 cover profile is optional.

Glass	
3 x	W/3 - 110
	H - 168

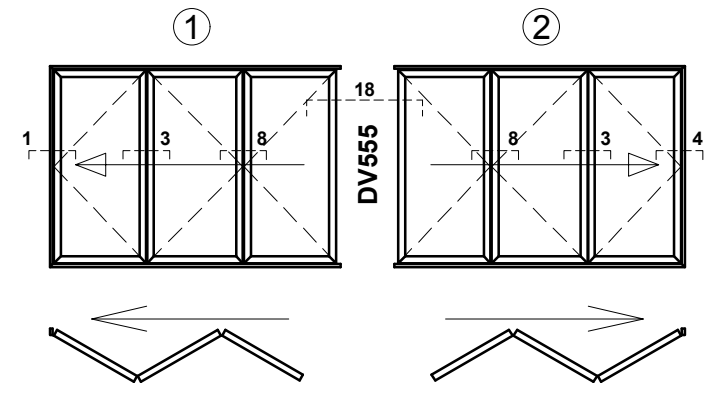
Accessories

ACDV226	3	Shootbolt Handle
ACDV234	2	'D' Handle
ACDV244	(2 x W) + (2 x H) - 200	Rebate Gasket
ACDV251	1	Lever/Lever Handle
ACDV258	1	Cylinder
ACDV266	9	45mm Lock & Keep Fixing Screw
ACDV272	(Sash W - 78) (Sash H - 78)	Sealing Gasket
ACDV272	Cut between hinges (Sash)	Sealing Gasket
ACDV272	2 x Frame W - 36 (Mitred)	Sealing Gasket
ACDV272	Cut between hinges (Frame)	Sealing Gasket
ACDV275	6	Sash Gasket Corner Moulds
ACDV331	18	Intermediate Hinges
ACDV375	4	Outer Frame Gasket Corner Moulds
ACDV512	8	DV617 Cleat
ACDV555	1 Pair	DV555 Corner Post End Caps
ACDV566	2	Bottom Roller Hinge
ACDV567	2	Top Guide Hinge
ACDV571	32	Sash Bridge Packer
ACDV576	1	Lock/Full Height Keep
ACDV580	2	Mullion Bottom Roller
ACDV581	2	Mullion Top Guide
ACDV582	2 x Frame W - 36 (Mitred)	Outer Frame Gasket
ACDV620	64	DV620 Cleat
ACDV623	9	Lock Fixing Plate
ACDV663	4	Shootbolt Rod Pack
ACDV667	2 Pairs	Threshold Shootbolt Keeps
ACDV670	1 Pair	DV670 End Caps
ACDV682	1 Set	90° Outerframe Fixing Bracket
ACET060	2xW @ 500 ctrs/3xH @ 500 ctrs	Self Tapping Screws
ACET067	4	Screws
ACET133	2	M5 x 50 Handle Screw
ACET840	6 x (W/3 - 108) + 6 x (H - 191)	External Glazing Gasket
ACET840	6 x (W/3 - 102) + 6 x (H - 191)	External Glazing Gasket
ACET842	6 x (W/3 - 139) + 6 x (H - 191)	Internal Glazing Gasket
ACET842	6 x (W/3 - 133) + 6 x (H - 191)	Internal Glazing Gasket
ACSG071	11	M4 x 40mm Machine Screw
ACSR011	2 x (H - 109)	Locking stile brush pile for DV62
ACSR012A	2 x 68mm	Woolpile for End Caps
ACVL059	2 Pairs	VL72 End Caps
ACVL061	W @ 500 ctrs	Rivet for VL72
ACW20024	4	Outer Frame Chevron
WCA106	20	Sash Chevron

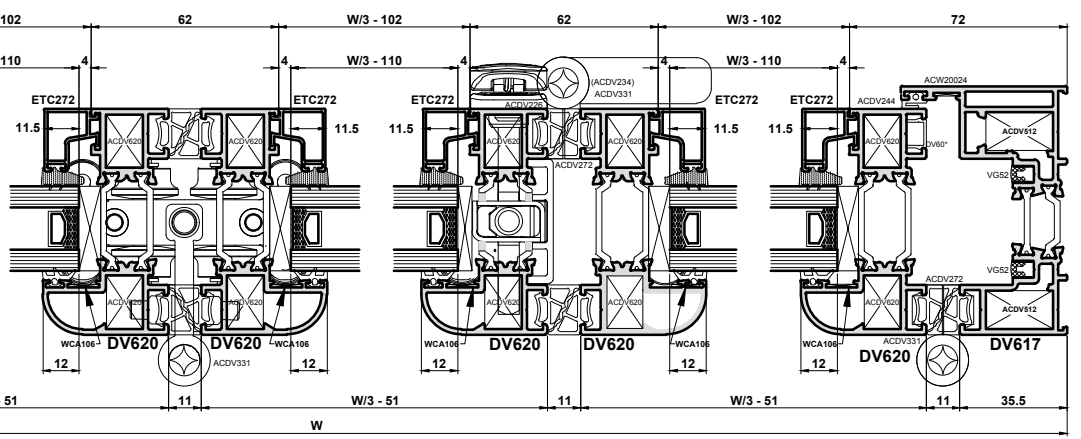
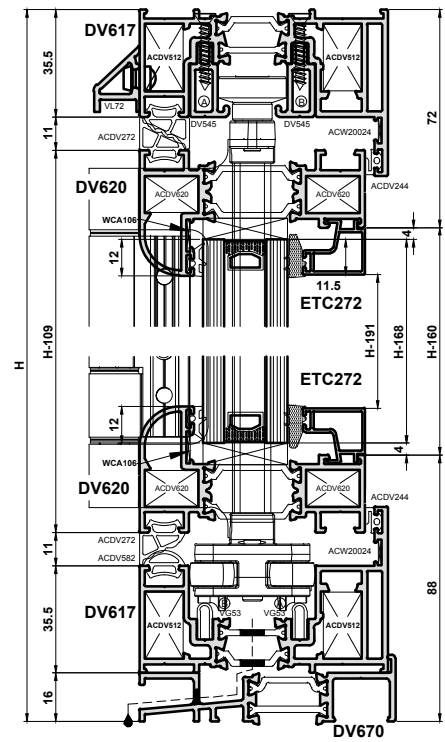
+ Optional: 1 x ACDV305 Magnetic Catch
If using sub-cills please order ACET1440 & ACET1041 cleats for 90° corner.



Increase all height deductions by 9mm or 18mm when using the projecting sub-cills.
9mm Deduction - ETC451, ETC452, ETC457, ETC458 & ETC479
18mm Deduction - ETC477



Important note
All deductions regarding heights are inclusive of DV670/DV570.
This is due to there not being a face drained option, thus a sub-cill must always be used to channel the drainage away from the frame in the approved manner.



Do Not Scale From This Drawing

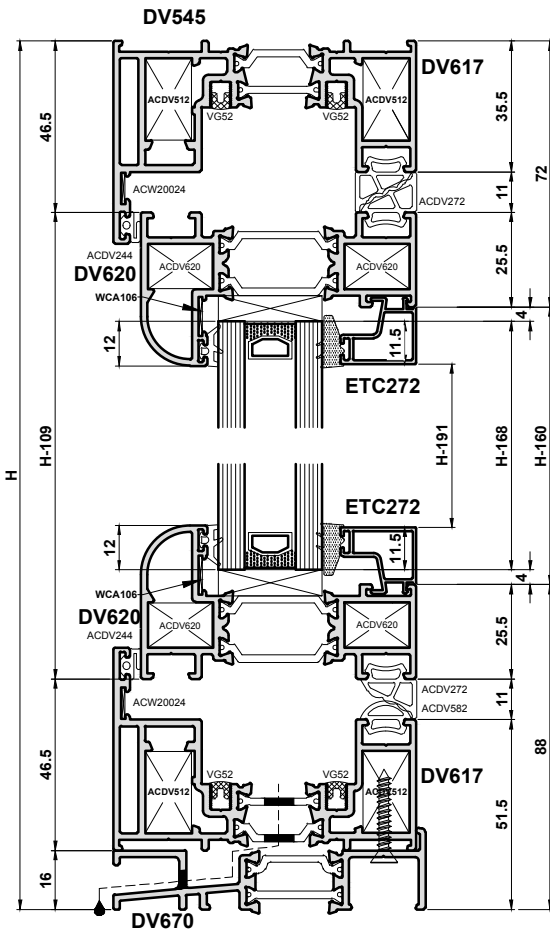
Section F

**Sawing Tables
Open In**

Single Door	Page F19
Double Swing Door	Page F20
Double Slide & Fold Door	Page F21
Type 1i	Page F22
Type 2i	Page F23
Type 3i	Page F24
Type 4i	Page F25
Type 5i	Page F26
Type 6i	Page F27
3/2 Door	Page F28

Section F

Cutting Information



Sections

DV60*	3		H - 109
DV545	2		H - 70
DV617	2		W
DV617	2		H - 16
DV620	2		W - 111.5
DV620	2		H - 109
DV640	2		H - 113
DV662	1		H - 113
DV670	1		W
PCX44	1		H - 113
VG52	4		W - 36
VG52	2		H - 59
Bead	2		W - 162.5
Bead	2		H - 191

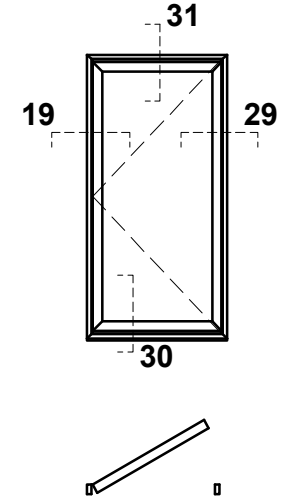
*Note: DV60 cover profile is optional.

Glass	
1 x	W - 170
	H - 168

Accessories

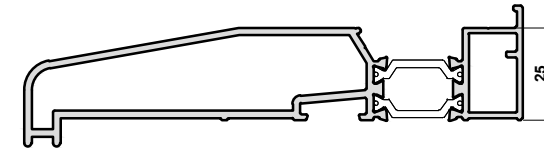
ACDV244	(2 x W) + (2 x H) - 200	Rebate Gasket
ACDV251	1	Lever/Lever Handle
ACDV258	1	Cylinder
ACDV266	18	45mm Lock & Keep Fixing Screw
ACDV272	(Sash W - 78) (Sash H - 78)	Sealing Gasket
ACDV272	Cut between hinges (Sash)	Sealing Gasket
ACDV272	Frame W - 36	Sealing Gasket
ACDV272	Cut between hinges (Frame)	Sealing Gasket
ACDV275	1	Sash Gasket Corner Moulds
ACDV331	4	Intermediate Hinges
ACDV375	4	Outer Frame Gasket Corner Moulds
ACDV512	8	DV617 Cleat
ACDV571	4	Sash Bridge Packer
ACDV576/577	1	Lock/Full Height Keep
ACDV582	Frame W - 36	Outer Frame Gasket
ACDV620	8	DV620 Cleat
ACDV623	18	Lock & Keep Fixing Plate
ACDV640N	1 Pairs	DV640/DV662 End Caps
ACDV670	1 Pair	DV670 End Caps
ACET060	2xW @ 500 ctrs/3xH @ 500 ctrs	Self Tapping Screws
ACET067	4	Screws
ACET133	2	M5 x 50 Handle Screw
ACET160	H - 109	Frame Rebate Gasket
ACET840	2 x (W - 170) + 2 x (H - 168)	External Glazing Gasket
ACET842	2 x (W - 170) + 2 x (H - 168)	Internal Glazing Gasket
ACW20024	4	Outer Frame Chevron
WCA106	4	Sash Chevron

Single Door

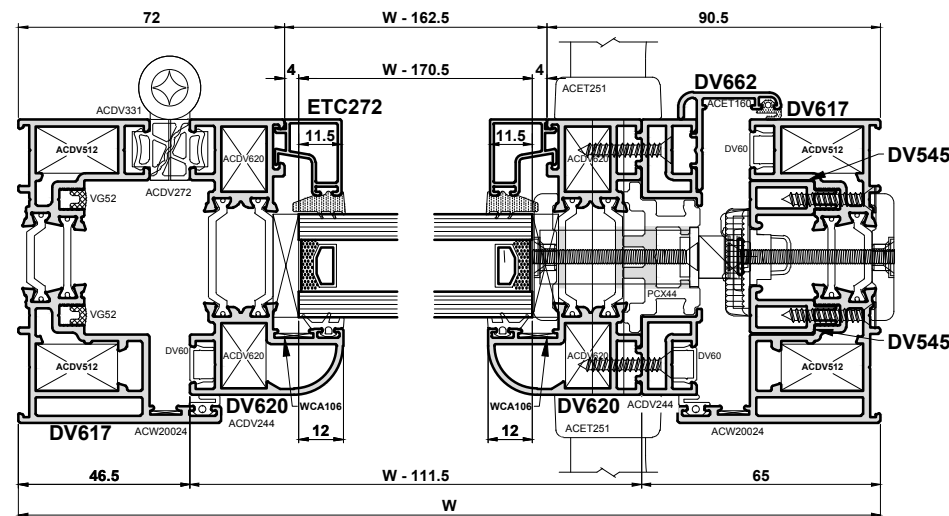


Important note

All deductions regarding heights are inclusive of DV670/DV570. This is due to there not being a face drained option, thus a sub-cill must always be used to channel the drainage away from the frame in the approved manner.



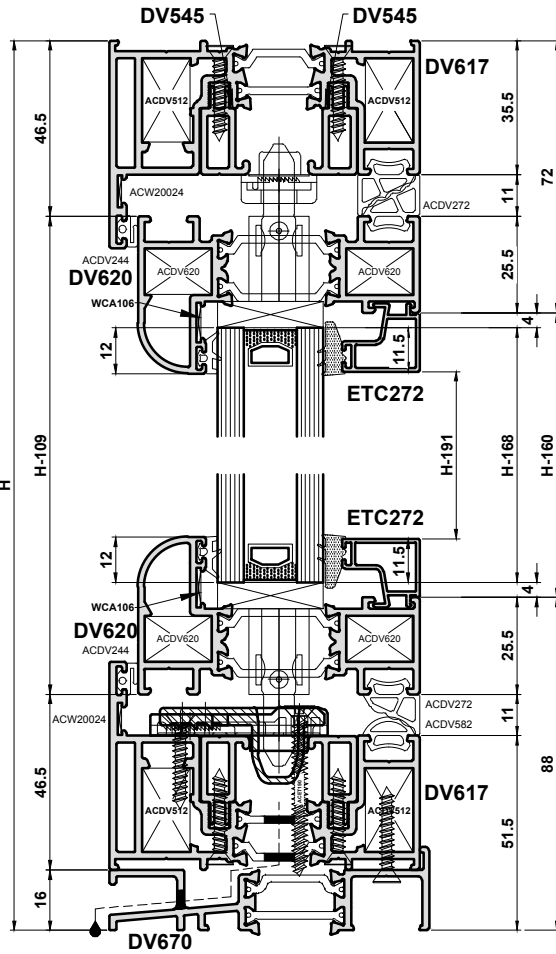
Increase all height deductions by 9mm or 18mm when using the projecting sub-cills.
9mm Deduction - ETC451, ETC452, ETC457, ETC458 & ETC479
18mm Deduction - ETC477



Do Not Scale From This Drawing

Cutting Information

Double Swing Door



Sections

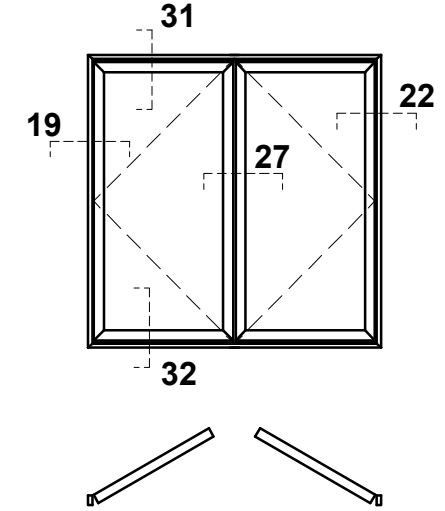
DV60*		4		H - 109
DV545		4		W - 36
DV617		2		W
DV617		2		H - 16
DV620		4		W/2 - 74
DV620		4		H - 109
DV640		2		H - 113
DV645		2		H - 113
DV662		2		H - 113
DV670		1		W
PCX44		2		H - 113
VG52		4		H - 59
Bead		4		W/2 - 125
Bead		4		H - 191

*Note: DV60 cover profile is optional.

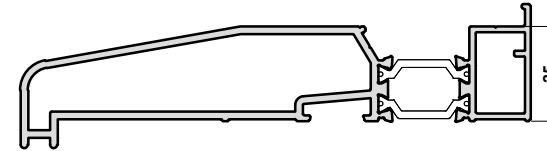
Glass	
2 x	W/2 - 133
	H - 168

Accessories

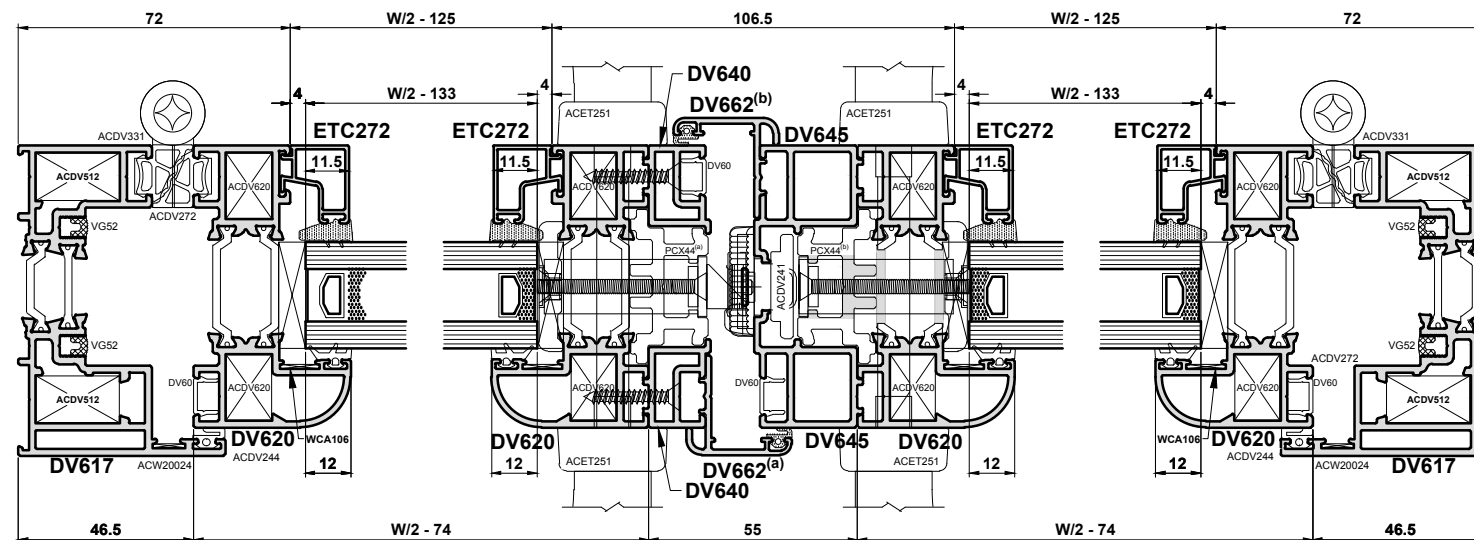
ACDV241	9	Lock & Keep Fixing Plate
ACDV244	(2 x W) + (2 x H) - 200	Rebate Gasket
ACDV251	2	Lever/Lever Handle
ACDV258	2	Cylinder
ACDV266	18	45mm Lock & Keep Fixing Screw
ACDV272	(Sash W - 78) (Sash H - 78)	Sealing Gasket
ACDV272	Cut between hinges (Sash)	Sealing Gasket
ACDV272	2 x Frame W - 36	Sealing Gasket
ACDV272	Cut between hinges (Frame)	Sealing Gasket
ACDV275	2	Sash Gasket Corner Moulds
ACDV331	8	Intermediate Hinges
ACDV375	4	Outer Frame Gasket Corner Moulds
ACDV512	8	DV617 Cleat
ACDV571	8	Sash Bridge Packer
ACDV582	Frame W - 36	Outer Frame Gasket
ACDV586	1	Secondary Door Lock
ACDV620	16	DV620 Cleat
ACDV623	18	Lock & Keep Fixing Plate
ACDV640N	1 Pair	DV640/DV662 End Caps
ACDV642N	1 Pair	Secondary Door End Caps
ACDV670	1 Pair	DV670 End Caps
ACDV676/677	1	Lock/Full Height Keep
ACDV737	1	Bottom Shootbolt
ACDV738	1	Top Shootbolt
ACET060	2xW @ 500 ctrs/3xH @ 500 ctrs	Self Tapping Screws
ACET067	4	Screws
ACET133	4	M5 x 50 Handle Screw
ACET160	2 x (H - 109)	Frame Rebate Gasket
ACET840	4 x (W/2 - 133) + 4 x (H - 168)	External Glazing Gasket
ACET842	4 x (W/2 - 133) + 4 x (H - 168)	Internal Glazing Gasket
ACW20024	4	Outer Frame Chevron
WCA106	8	Sash Chevron



Important note
All deductions regarding heights are inclusive of DV670/DV570.
This is due to there not being a face drained option, thus a sub-cill must always be used to channel the drainage away from the frame in the approved manner.



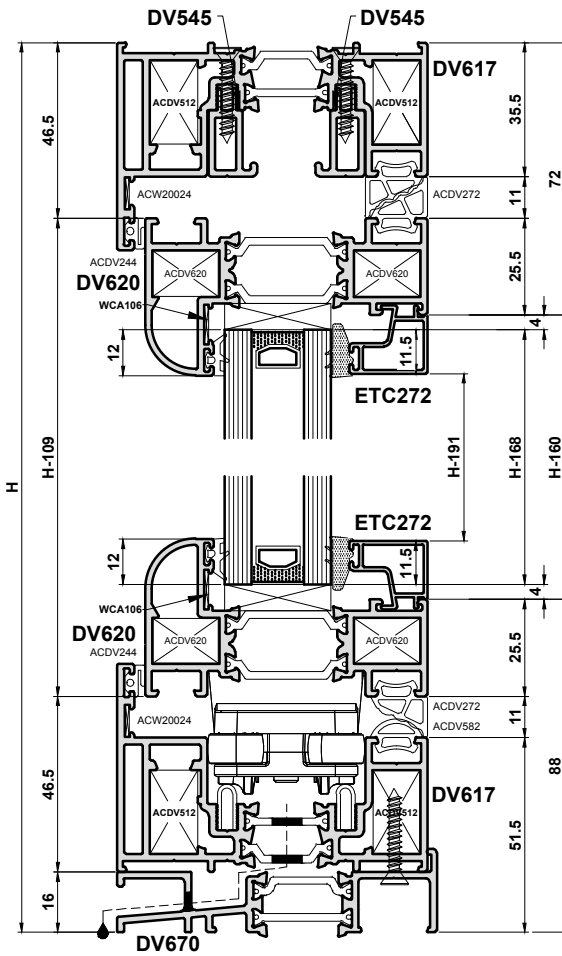
Increase all height deductions by 9mm or 18mm when using the projecting sub-cills.
9mm Deduction - ETC451, ETC452, ETC457, ETC458 & ETC479
18mm Deduction - ETC477



Do Not Scale From This Drawing

Cutting Information

Double Slide & Fold Door



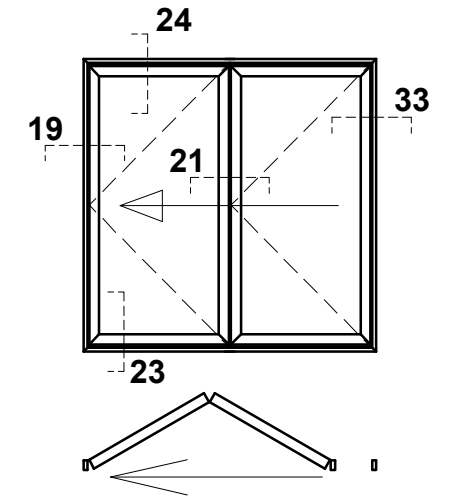
Sections			
DV38	1		H - 119
DV60*	3		H - 109
DV545	1		W - 36
DV545	1		150
DV545	1		W - 186
DV617	2		W
DV617	2		H - 16
DV620	4		W/2 - 75.5
DV620	4		H - 109
DV662	1		H - 109
DV670	1		W
VG52	4		H - 59
VG53	2		W - 26
Bead	4		W/2 - 126.5
Bead	4		H - 191

*Note: DV60 cover profile is optional.

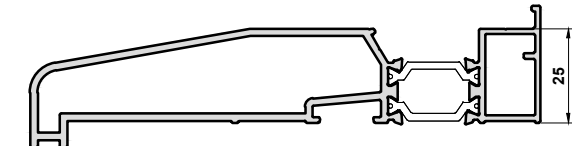
Glass	
2 x	W/2 - 134.5 H - 168

Accessories		
ACDV226	1	Shootbolt Handle
ACDV244	(2 x W) + (2 x H) - 200	Rebate Gasket
ACDV272	(Sash W - 78) (Sash H - 78)	Sealing Gasket
ACDV272	Cut between hinges (Sash)	Sealing Gasket
ACDV272	Frame W - 36	Sealing Gasket
ACDV272	Cut between hinges (Frame)	Sealing Gasket
ACDV274	1	'D' Handle Hinge
ACDV275	2	Sash Gasket Corner Moulds
ACDV331	12	Intermediate Hinges
ACDV375	4	Outer Frame Gasket Corner Moulds
ACDV512	8	DV617 Cleat
ACDV571	8	Sash Bridge Packer
ACDV580	1	Mullion Bottom Roller
ACDV581	1	Mullion Top Guide
ACDV582	Frame W - 36	Outer Frame Gasket
ACDV590	1	Isolator and Woolpile Carrier
ACDV620	16	DV620 Cleat
ACDV643	1 Pair	DV662 End Caps
ACDV663	1	Shootbolt Rod Pack
ACDV667	1 Pair	Threshold Shootbolt Keeps
ACDV670	1 Pair	DV670 End Caps
ACET060	2xW @ 500 ctrs/3xH @ 500 ctrs	Self Tapping Screws
ACET067	4	Screws
ACET133	2	M5 x 50 Handle Screw
ACET160	H - 109	Frame Rebate Gasket
ACET840	4 x (W/2 - 134.5) + 4 x (H - 168)	External Glazing Gasket
ACET842	4 x (W/2 - 134.5) + 4 x (H - 168)	Internal Glazing Gasket
ACSR012A	4 x 47mm	Woolpile for End Caps
ACW20024	4	Outer Frame Chevron
WCA106	8	Sash Chevron

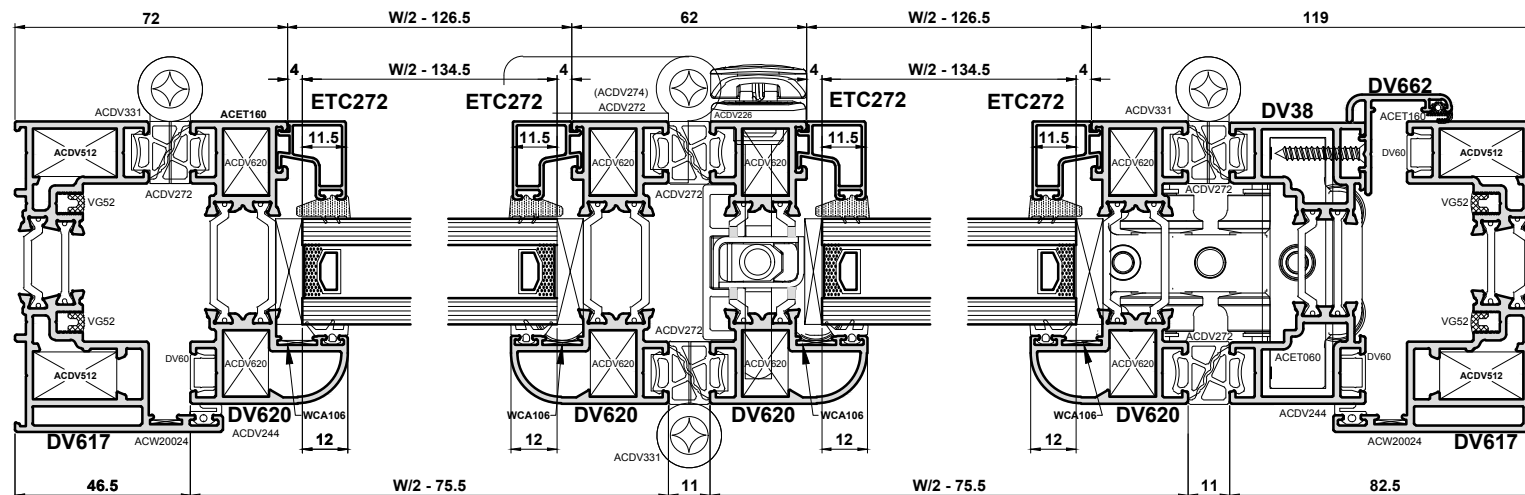
+ Optional: 1 x ACDV305 Magnetic Catch



Important note
All deductions regarding heights are inclusive of DV670/DV570. This is due to there not being a face drained option, thus a sub-cill must always be used to channel the drainage away from the frame in the approved manner.

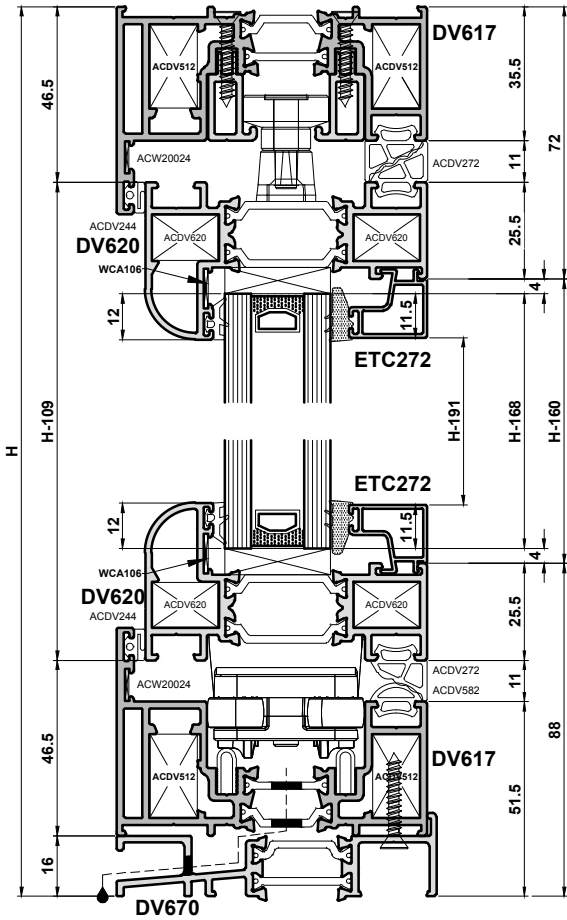


Increase all height deductions by 9mm or 18mm when using the projecting sub-cills.
9mm Deduction - ETC451, ETC452, ETC457, ETC458 & ETC479
18mm Deduction - ETC477



Do Not Scale From This Drawing

Cutting Information



Sections

DV38	1	H - 119
DV60*	4	H - 109
DV545	1	W - 36
DV545	1	150
DV545	1	W - 186
DV617	2	W
DV617	2	H - 16
DV620	6	W/3 - 60
DV620	6	H - 109
DV640	2	H - 113
DV662	1	H - 113
DV662	1	H - 109
DV670	1	W
PCX38	1	H - 135
PCX44	1	H - 113
VG52	4	H - 59
VG53	2	W - 26
Bead	6	W/3 - 111
Bead	6	H - 191

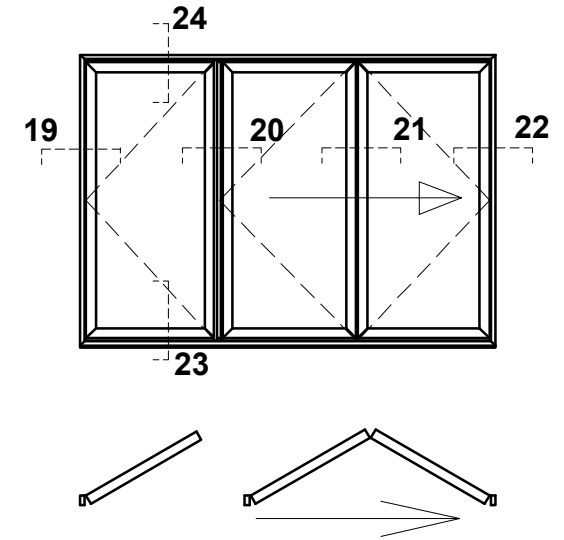
*Note: DV60 cover profile is optional.

Glass	
3 x	W/3 - 119
	H - 168

Accessories

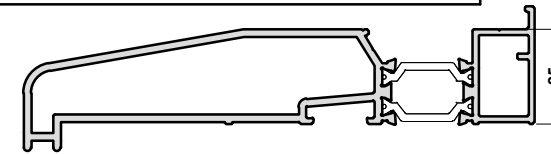
ACDV226	1	Shootbolt Handle
ACDV244	(2 x W) + (2 x H) - 200	Rebate Gasket
ACDV251	1	Lever/Lever Handle
ACDV258	1	Cylinder
ACDV266	18	45m Lock & Keep Fixing Screw
ACDV272	(Sash W - 78) (Sash H - 78)	Sealing Gasket
ACDV272	Cut between hinges (Sash)	Sealing Gasket
ACDV272	Frame W - 36	Sealing Gasket
ACDV272	Cut between hinges (Frame)	Sealing Gasket
ACDV274	1	"D" Handle Hinge
ACDV275	3	Sash Gasket Corner Moulds
ACDV331	16	Intermediate Hinges
ACDV375	4	Outer Frame Gasket Corner Moulds
ACDV512	8	DV617 Cleat
ACDV571	12	Sash Bridge Packer
ACDV576/577	1	Lock/Full Height Keep
ACDV580	1	Mullion Bottom Roller
ACDV581	1	Mullion Top Guide
ACDV582	Frame W - 36	Outer Frame Gasket
ACDV590	1	Isolator and Woolpile Carrier
ACDV620	24	DV620 Cleat
ACDV623	18	Lock & Keep Fixing Plate
ACDV640N	1 Pair	DV640/DV662 End Caps (Primary)
ACDV643	1 Pair	DV662 End Caps (Secondary)
ACDV663	1	Shootbolt Rod Pack
ACDV667	1 Pair	Threshold Shootbolt Keeps
ACDV670	1 Pair	DV670 End Caps
ACET060	2xW @ 500 ctrs/3xH @ 500 ctrs	Self Tapping Screws
ACET067	4	Screws
ACET133	2	M5 x 50 Handle Screw
ACET160	2x(H - 109)	Frame Rebate Gasket
ACET840	6 x (W/3 - 119) + 6 x (H - 168)	External Glazing Gasket
ACET842	6 x (W/3 - 119) + 6 x (H - 168)	Internal Glazing Gasket
ACSR012A	4 x 47mm	Woolpile for End Caps
ACW20024	4	Outer Frame Chevron
WCA106	12	Sash Chevron
+ Optional: 1 x ACDV305 Magnetic Catch		

Type 1i

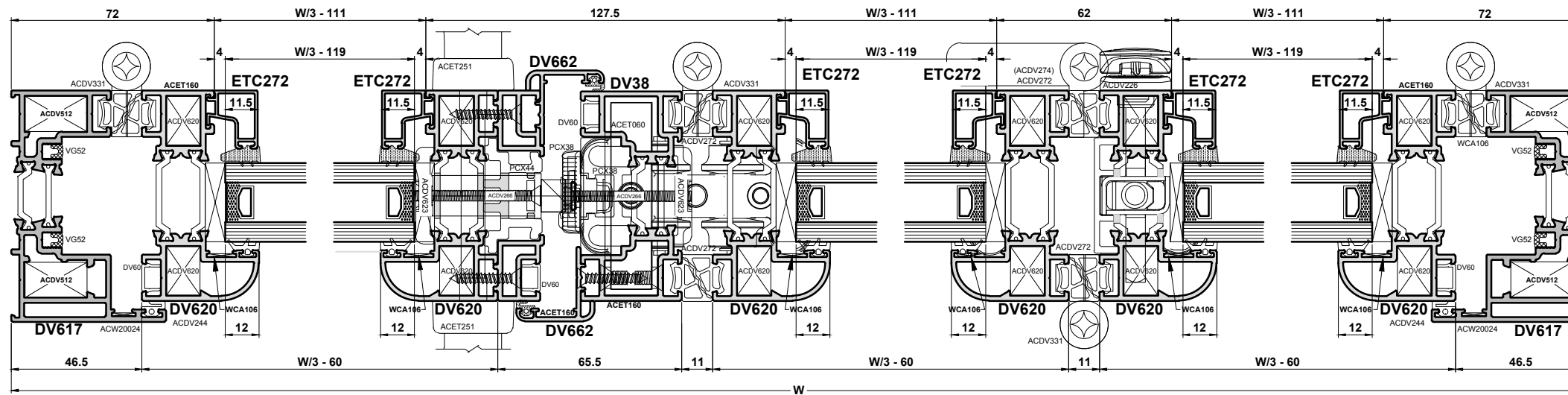


Important note

All deductions regarding heights are inclusive of DV670/DV570. This is due to there not being a face drained option, thus a sub-cill must always be used to channel the drainage away from the frame in the approved manner.

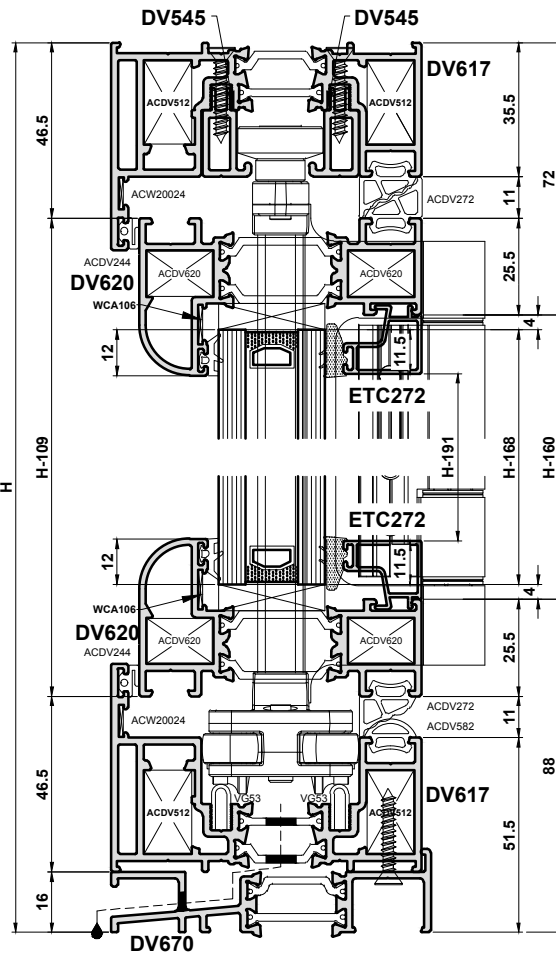


Increase all height deductions by 9mm or 18mm when using the projecting sub-cills.
9mm Deduction - ETC451, ETC452, ETC457, ETC458 & ETC479
18mm Deduction - ETC477



Do Not Scale From This Drawing

Cutting Information



Sections

DV60*	3	H - 109
DV545	1	W - 36
DV545	1	150
DV545	1	W - 186
DV545	2	H - 70
DV617	2	W
DV617	2	H - 16
DV620	6	W/3 - 44.5
DV620	6	H - 109
DV640	2	H - 113
DV662	1	H - 113
DV670	1	W
PCX44	1	H - 113
VG52	4	H - 59
VG53	2	W - 26
Bead	6	W/3 - 95.5
Bead	6	H - 191

*Note: DV60 cover profile is optional.

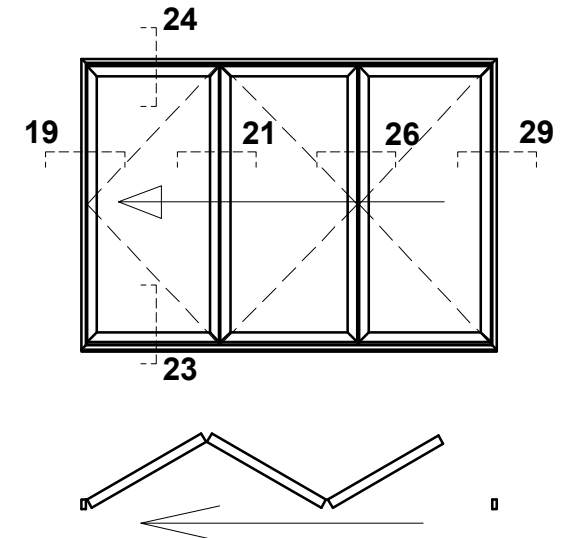
Glass	
3 x	W/3 - 103.5
	H - 168

Accessories

ACDV226	1	Shootbolt Handle
ACDV244	(2 x W) + (2 x H) - 200	Rebate Gasket
ACDV251	1	Lever/Lever Handle
ACDV258	1	Cylinder
ACDV266	18	45m Lock & Keep Fixing Screw
ACDV272	(Sash W - 78) (Sash H - 78)	Sealing Gasket
ACDV272	Cut between hinges (Sash)	Sealing Gasket
ACDV272	Frame W - 36	Sealing Gasket
ACDV272	Cut between hinges (Frame)	Sealing Gasket
ACDV274	1	D' Handle Hinge
ACDV275	3	Sash Gasket Corner Moulds
ACDV331	10	Intermediate Hinges
ACDV375	4	Outer Frame Gasket Corner Moulds
ACDV512	8	DV617 Cleat
ACDV571	12	Sash Bridge Packer
ACDV576/577	1	Lock/Full Height Keep
ACDV582	Frame W - 36	Outer Frame Gasket
ACDV620	24	DV620 Cleat
ACDV623	18	Lock & Keep Fixing Plate
ACDV640N	1 Pair	DV640/DV662 End Caps
ACDV663	1	Shootbolt Rod Pack
ACDV667	1 Pair	Threshold Shootbolt Keeps
ACDV670	1 Pair	DV670 End Caps
ACET060	2xW @ 500 ctrs/3xH @ 500 ctrs	Self Tapping Screws
ACET067	4	Screws
ACET133	2	M5 x 50 Handle Screw
ACET160	H - 109	Frame Rebate Gasket
ACET840	6 x (W/3 - 103.5) + 6 x (H - 168)	External Glazing Gasket
ACET842	6 x (W/3 - 103.5) + 6 x (H - 168)	Internal Glazing Gasket
ACW20024	4	Outer Frame Chevron
WCA106	12	Sash Chevron

+ Optional: 1 x ACDV305 Magnetic Catch

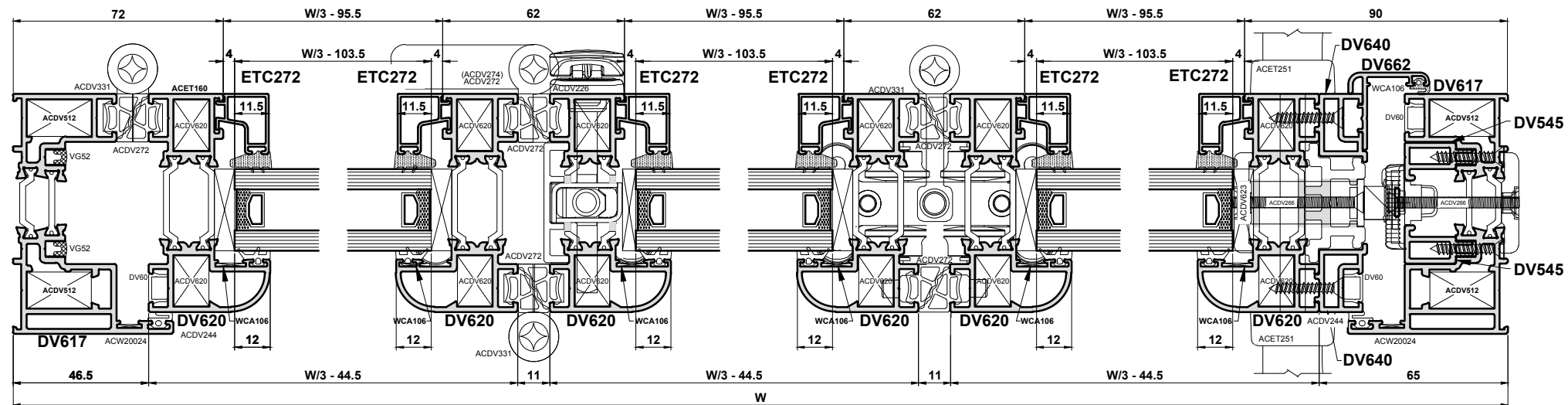
Type 2i



Important note

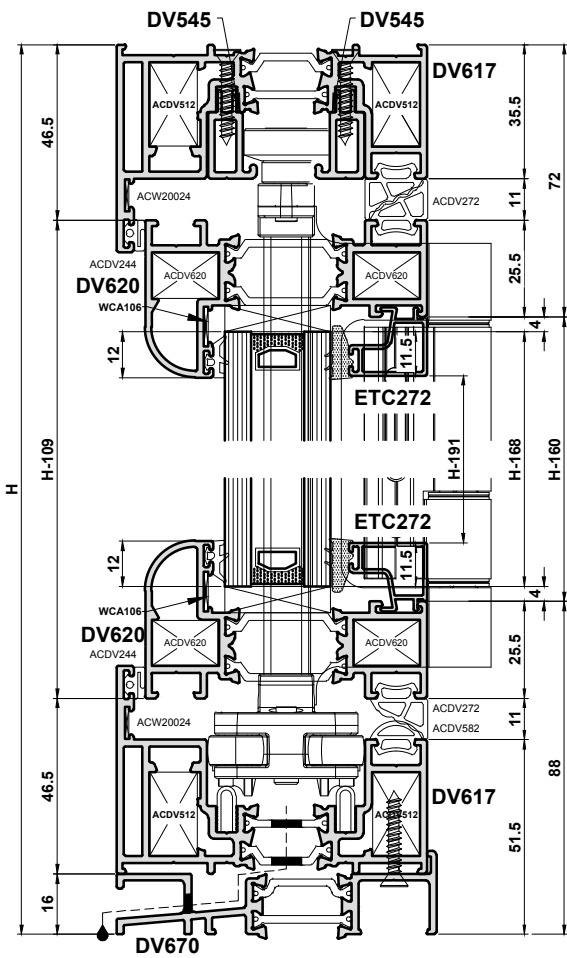
All deductions regarding heights are inclusive of DV670/DV570. This is due to there not being a face drained option, thus a sub-cill must always be used to channel the drainage away from the frame in the approved manner.

Increase all height deductions by 9mm or 18mm when using the projecting sub-cills.
9mm Deduction - ETC451, ETC452, ETC457, ETC458 & ETC479
18mm Deduction - ETC477



Do Not Scale From This Drawing

Cutting Information



Sections

DV38	1		H - 119
DV60*	3		H - 109
DV545	1		W - 36
DV545	1		150
DV545	1		W - 186
DV617	2		W
DV617	2		H - 16
DV620	8		W/4 - 43
DV620	8		H - 109
DV662	1		H - 113
DV670	1		W
VG52	4		H - 59
VG53	2		W - 26
Bead	8		W/4 - 94.5
Bead	8		H - 191

*Note: DV60 cover profile is optional.

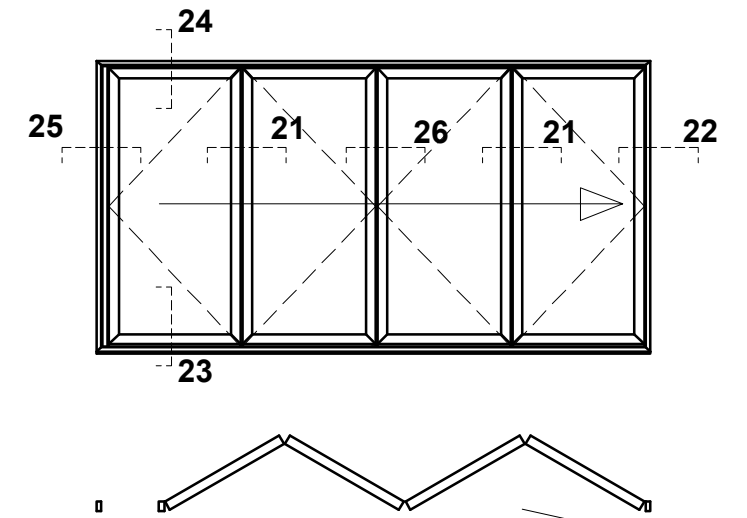
Glass	
4 x	W/4 - 102
	H - 168

Accessories

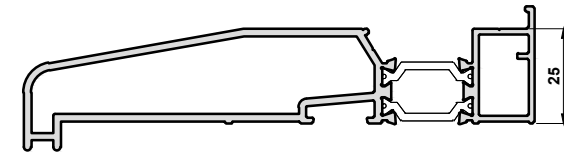
ACDV226	1	Shootbolt Handle
ACDV244	(2 x W) + (2 x H) - 200	Rebate Gasket
ACDV272	(Sash W - 78) (Sash H - 78)	Sealing Gasket
ACDV272	Cut between hinges (Sash)	Sealing Gasket
ACDV272	Frame W - 36	Sealing Gasket
ACDV272	Cut between hinges (Frame)	Sealing Gasket
ACDV274	2	'D' Handle Hinge
ACDV275	4	Sash Gasket Corner Moulds
ACDV331	18	Intermediate Hinges
ACDV375	4	Outer Frame Gasket Corner Moulds
ACDV512	8	DV617 Cleat
ACDV566	1	Bottom Roller Hinge
ACDV567	1	Top Guide Hinge
ACDV571	16	Sash Bridge Packer
ACDV580	1	Mullion Bottom Roller
ACDV581	1	Mullion Top Guide
ACDV582	Frame W - 36	Outer Frame Gasket
ACDV620	32	DV620 Cleat
ACDV643	1 Pair	DV662 End Caps
ACDV663	2	Shootbolt Rod Pack
ACDV667	2 Pairs	Threshold Shootbolt Keeps
ACDV670	1 Pair	DV670 End Caps
ACET060	2xW @ 500 ctrs/3xH @ 500 ctrs	Self Tapping Screws
ACET067	4	Screws
ACET133	2	M5 x 50 Handle Screw
ACET160	H - 109	Frame Rebate Gasket
ACET840	8 x (W/4 - 102) + 8 x (H - 168)	External Glazing Gasket
ACET842	8 x (W/4 - 102) + 8 x (H - 168)	Internal Glazing Gasket
ACSR012A	4 x 47mm	Woolpile for End Caps
ACW20024	4	Outer Frame Chevron
WCA106	16	Sash Chevron

† Optional: 1 x ACDV305 Magnetic Catch

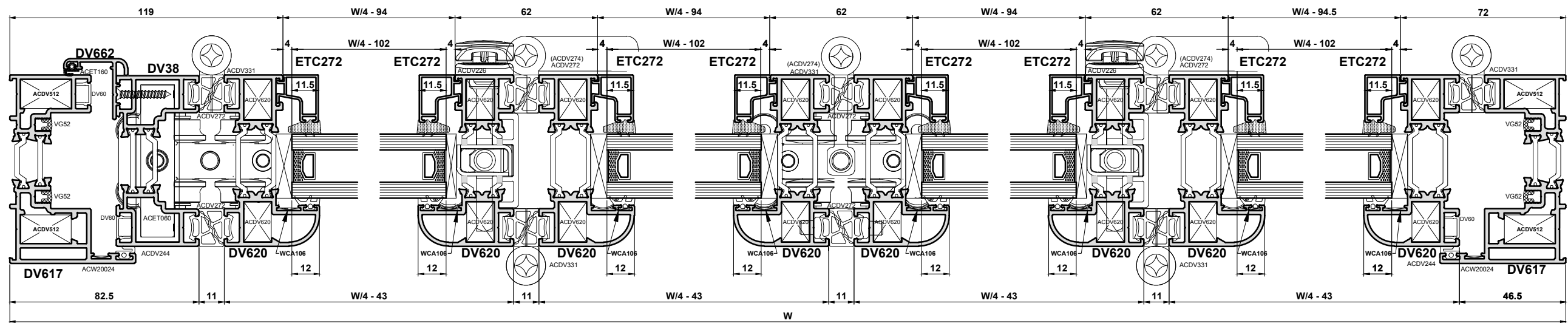
Type 3i



Important note
All deductions regarding heights are inclusive of DV670/DV570. This is due to there not being a face drained option, thus a sub-cill must always be used to channel the drainage away from the frame in the approved manner.

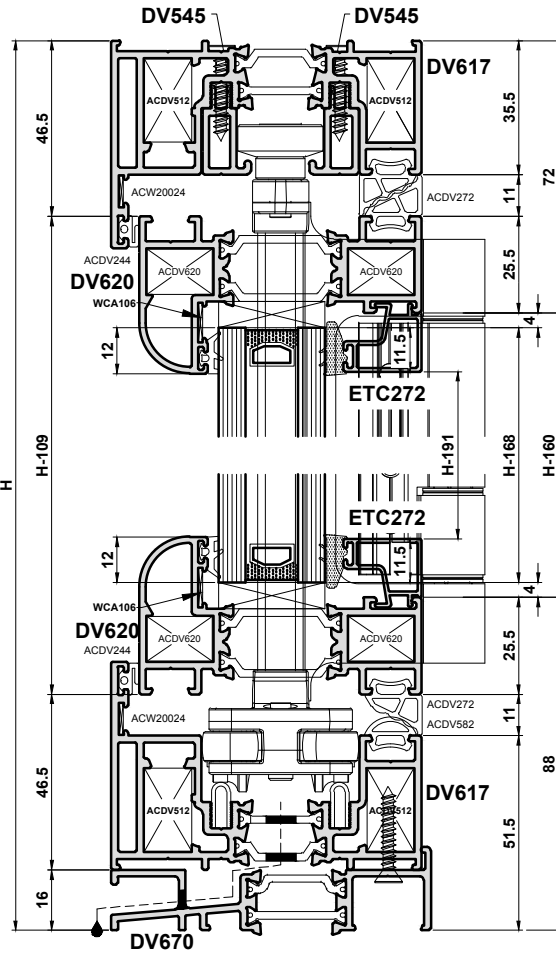


Increase all height deductions by 9mm or 18mm when using the projecting sub-cills.
9mm Deduction - ETC451, ETC452, ETC457, ETC458 & ETC479
18mm Deduction - ETC477



Do Not Scale From This Drawing

Cutting Information



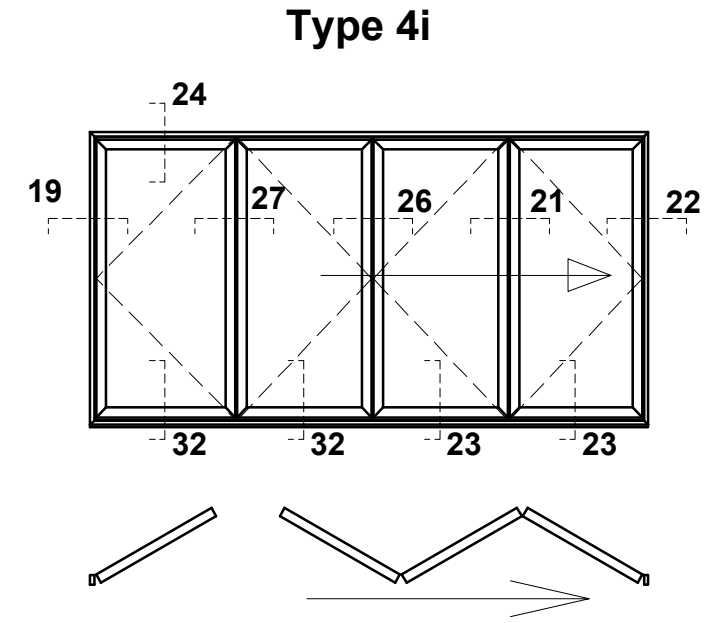
Sections			
DV60*	4		H - 109
DV545	1		W - 36
DV545	1		150
DV545	1		W - 186
DV545	2		W/2 - 55
DV617	2		W
DV617	2		H - 16
DV620	8		W/4 - 42.5
DV620	8		H - 109
DV640	2		H - 113
DV645	2		H - 113
DV662	2		H - 113
DV670	1		W
PCX44	2		H - 113
VG52	4		H - 59
VG53	2		W/2 + 22
Bead	8		W/4 - 94
Bead	8		H - 191

*Note: DV60 cover profile is optional.

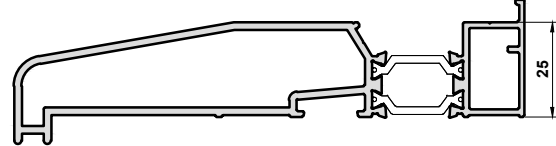
Glass	
4 x	W/4 - 102
	H - 168

Accessories		
ACDV226	1	Shootbolt Handle
ACDV241	9	Lock & Keep Fixing Plate
ACDV244	(2 x W) + (2 x H) - 200	Rebate Gasket
ACDV251	2	Lever/Lever Handle
ACDV258	2	Cylinder
ACDV266	18	Lock & Keep Fixing Screw
ACDV272	(Sash W - 78) (Sash H - 78)	Sealing Gasket
ACDV272	Cut between hinges (Sash)	Sealing Gasket
ACDV272	Frame W - 36	Sealing Gasket
ACDV272	Cut between hinges (Frame)	Sealing Gasket
ACDV274	1	'D' Handle Hinge
ACDV275	4	Sash Gasket Corner Moulds
ACDV331	14	Intermediate Hinges
ACDV375	4	Outer Frame Gasket Corner Moulds
ACDV512	8	DV617 Cleat
ACDV566	1	Bottom Roller Hinge
ACDV567	1	Top Guide Hinge
ACDV571	16	Sash Bridge Packer
ACDV582	Frame W - 36	Outer Frame Gasket
ACDV586	1	Secondary Lock
ACDV620	32	DV620 Cleat
ACDV623	18	Lock & Keep Fixing Plate
ACDV640N	1 Pair	DV640/DV662 End Caps
ACDV642N	1 Pair	DV645 End Caps
ACDV663	1	Shootbolt Rod Pack
ACDV667	1 Pair	Threshold Shootbolt Keeps
ACDV670	1 Pair	DV670 End Caps
ACDV676/677	1	Lock/Full Height Keep
ACDV737	1	Bottom Shootbolt
ACDV738	1	Top Shootbolt
ACET060	2xW @ 500 ctrs/3xH @ 500 ctrs	Self Tapping Screws
ACET067	4	Screws
ACET133	2	M5 x 50 Handle Screw
ACET160	2 x (H - 109)	Frame Rebate Gasket
ACET840	8 x (W/4 - 102) + 8 x (H - 168)	External Glazing Gasket
ACET842	8 x (W/4 - 102) + 8 x (H - 168)	Internal Glazing Gasket
ACW20024	4	Outer Frame Chevron
WCA106	16	Sash Chevron

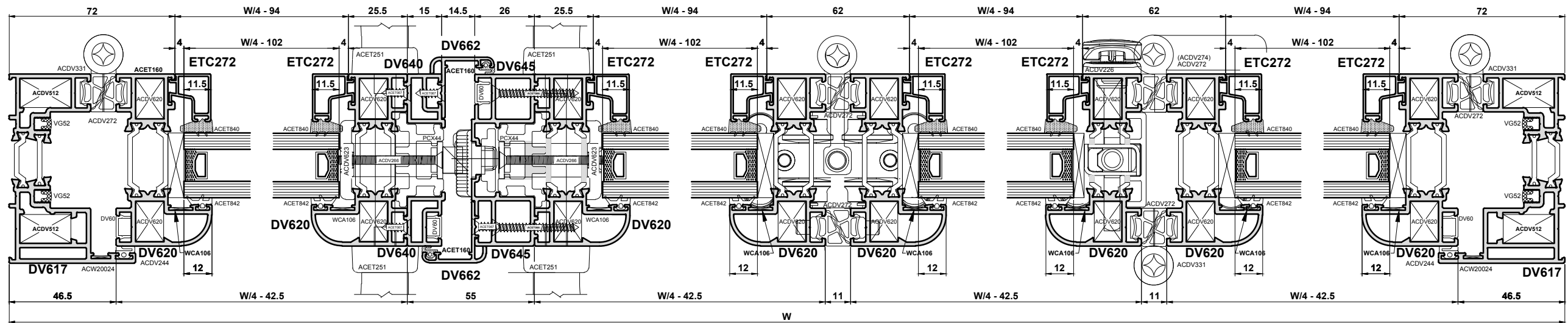
+ Optional: 1 x ACDV305 Magnetic Catch



Important note
All deductions regarding heights are inclusive of DV670/DV570. This is due to there not being a face drained option, thus a sub-cill must always be used to channel the drainage away from the frame in the approved manner.

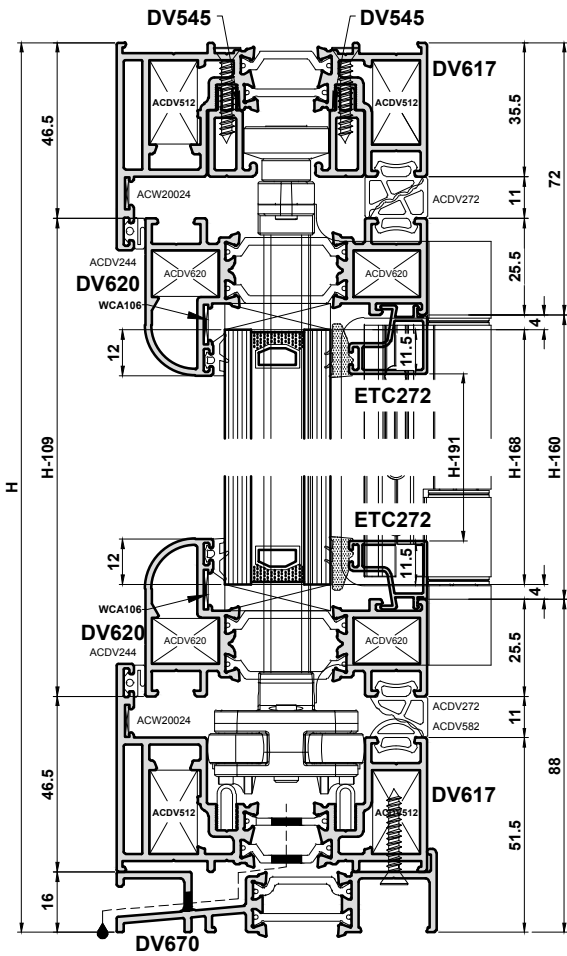


Increase all height deductions by 9mm or 18mm when using the projecting sub-cills.
9mm Deduction - ETC451, ETC452, ETC457, ETC458 & ETC479
18mm Deduction - ETC477



Do Not Scale From This Drawing

Cutting Information



Sections

DV38	2	H - 119
DV60*	4	H - 109
DV545	1	W - 36
DV545	1	150
DV545	1	W - 186
DV617	2	W
DV617	2	H - 16
DV620	8	W/4 - 55
DV620	8	H - 109
DV662	2	H - 109
DV670	1	W
VG52	4	H - 59
VG53	2	W - 26
Bead	8	W/4 - 106
Bead	8	H - 191

*Note: DV60 cover profile is optional.

Glass	
4 x	W/4 - 114
	H - 168

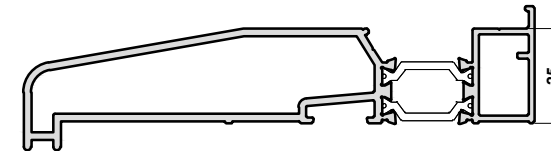
Accessories

ACDV226	2	Shootbolt Handle
ACDV244	(2 x W) + (2 x H) - 200	Rebate Gasket
ACDV272	(Sash W - 78) (Sash H - 78)	Sealing Gasket
ACDV272	Cut between hinges (Sash)	Sealing Gasket
ACDV272	Frame W - 36	Sealing Gasket
ACDV272	Cut between hinges (Frame)	Sealing Gasket
ACDV274	2	'D' Handle Hinge
ACDV275	4	Sash Gasket Corner Moulds
ACDV331	24	Intermediate Hinges
ACDV375	4	Outer Frame Gasket Corner Moulds
ACDV512	8	DV617 Cleat
ACDV571	16	Sash Bridge Packer
ACDV582	Frame W - 36	Outer Frame Gasket
ACDV620	32	DV620 Cleat
ACDV643	2 Pairs	DV662 End Caps
ACDV663	2	Shootbolt Rod Pack
ACDV667	2 Pairs	Threshold Shootbolt Keeps
ACDV670	1 Pair	DV670 End Caps
ACET060	2xW @ 500 ctrs/3xH @ 500 ctrs	Self Tapping Screws
ACET067	4	Screws
ACET133	2	M5 x 50 Handle Screw
ACET160	2 x (H - 109)	Frame Rebate Gasket
ACET840	8 x (W/4 - 102) + 8 x (H - 168)	External Glazing Gasket
ACET842	8 x (W/4 - 102) + 8 x (H - 168)	Internal Glazing Gasket
ACSR012A	8 x 47mm	Woolpile for End Caps
ACW20024	4	Outer Frame Chevron
WCA106	16	Sash Chevron

+ Optional: 1 x ACDV305 Magnetic Catch

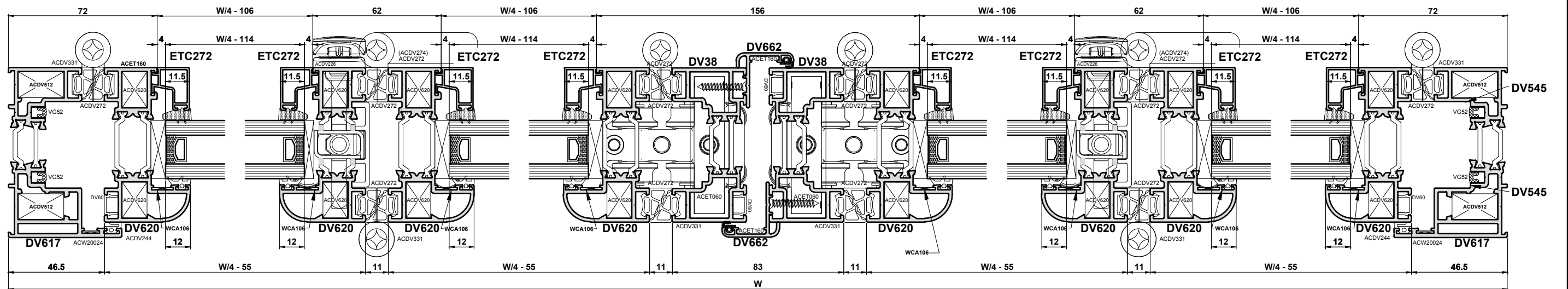
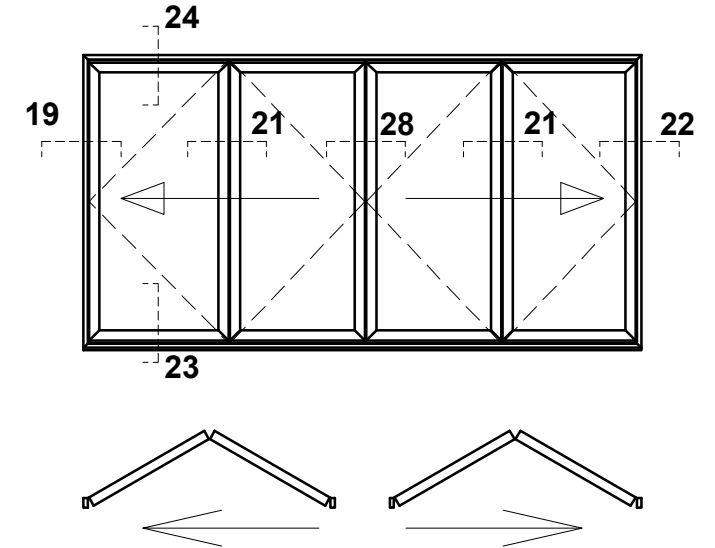
Important note

All deductions regarding heights are inclusive of DV670/DV570. This is due to there not being a face drained option, thus a sub-cill must always be used to channel the drainage away from the frame in the approved manner.



Increase all height deductions by 9mm or 18mm when using the projecting sub-cills.
9mm Deduction - ETC451, ETC452, ETC457, ETC458 & ETC479
18mm Deduction - ETC477

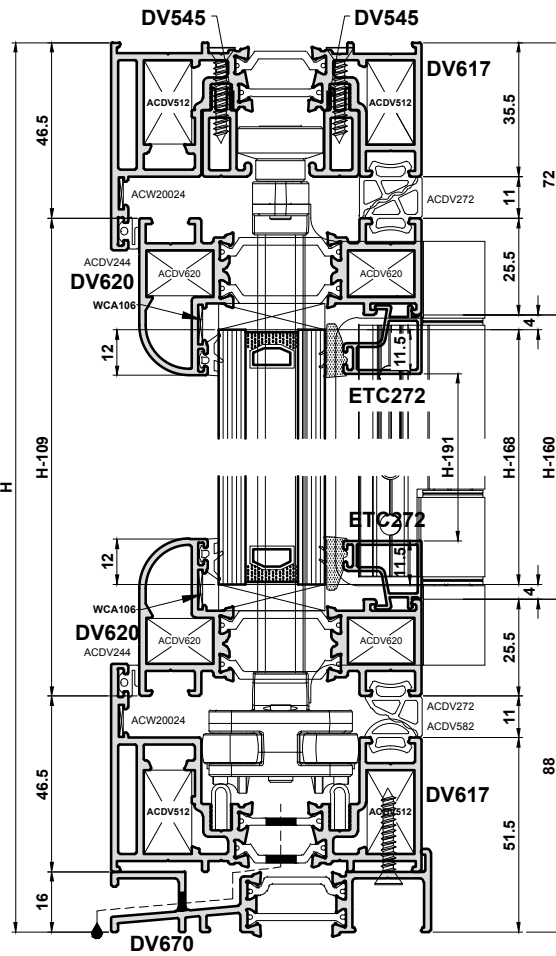
Type 5i



Do Not Scale From This Drawing

Cutting Information

Type 6i



Sections

DV60*	3	H - 109
DV545	1	W - 36
DV545	1	150
DV545	1	W - 186
DV617	2	W
DV617	2	H - 16
DV620	10	W/5 - 31
DV620	10	H - 109
DV640	2	H - 113
DV662	1	H - 113
DV670	1	W
PCX44	1	H - 113
VG52	4	H - 59
VG53	2	W - 26
Bead	10	W/5 - 82
Bead	10	H - 191

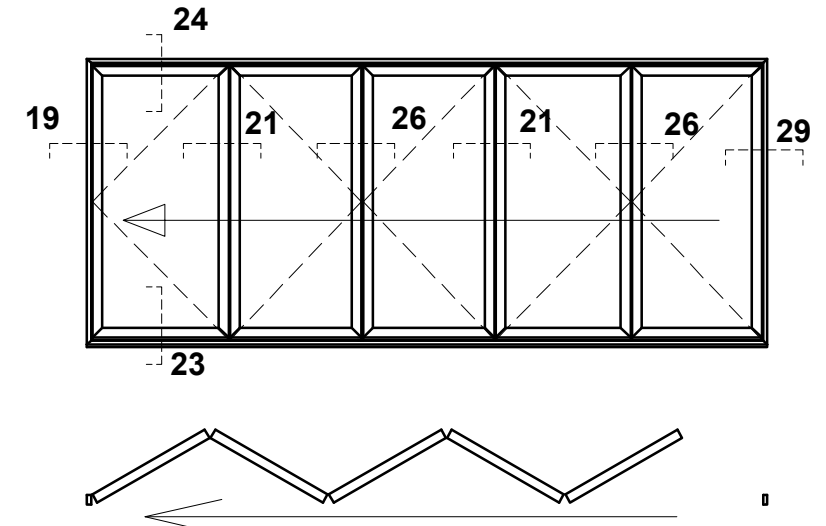
*Note: DV60 cover profile is optional.

Glass	
5 x	W/5 - 90
	H - 168

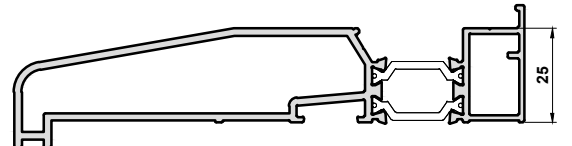
Accessories

ACDV226	2	Shootbolt Handle
ACDV244	(2 x W) + (2 x H) - 200	Rebate Gasket
ACDV251	1	Lever/Lever Handle
ACDV258	1	Cylinder
ACDV266	18	45mm Lock & Keep Fixing Screw
ACDV272	(Sash W - 78) (Sash H - 78)	Sealing Gasket
ACDV272	Cut between hinges (Sash)	Sealing Gasket
ACDV272	Frame W - 36	Sealing Gasket
ACDV272	Cut between hinges (Frame)	Sealing Gasket
ACDV274	2	D' Handle Hinge
ACDV275	5	Sash Gasket Corner Moulds
ACDV331	16	Intermediate Hinges
ACDV375	4	Outer Frame Gasket Corner Moulds
ACDV512	8	DV617 Cleat
ACDV566	2	Bottom Roller Hinge
ACDV567	2	Top Guide Hinge
ACDV571	20	Sash Bridge Packer
ACDV582	Frame W - 36	Outer Frame Gasket
ACDV620	40	DV620 Cleat
ACDV623	18	Lock & Keep Fixing Plate
ACDV640N	1 Pairs	DV640/DV662 End Caps
ACDV663	2	Shootbolt Rod Pack
ACDV667	2 Pairs	Threshold Shootbolt Keeps
ACDV670	1 Pair	DV670 End Caps
ACET060	2xW @ 500 ctrs/3xH @ 500 ctrs	Self Tapping Screws
ACET067	4	Screws
ACET133	2	M5 x 50 Handle Screw
ACET160	H - 109	Frame Rebate Gasket
ACET840	10 x (W/5 - 90) + 10 x (H - 168)	External Glazing Gasket
ACET842	10 x (W/5 - 90) + 10 x (H - 168)	Internal Glazing Gasket
ACW20024	4	Outer Frame Chevron
WCA106	20	Sash Chevron

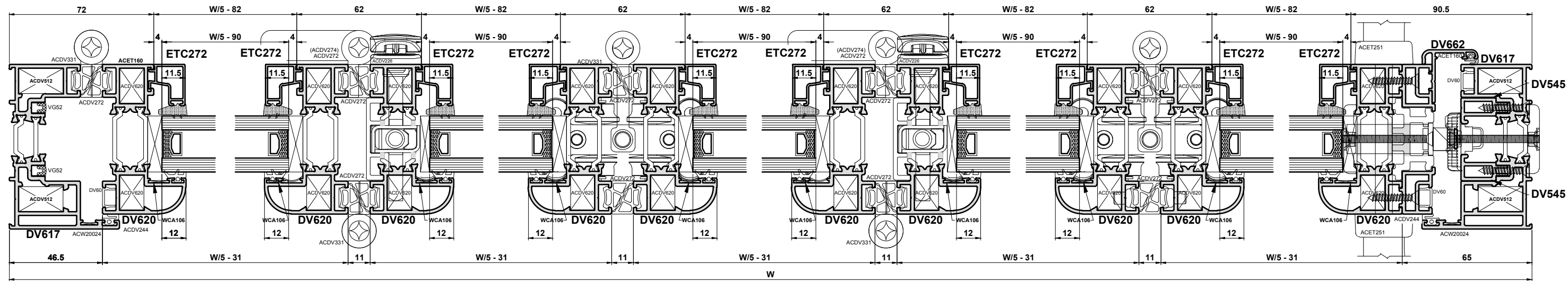
+ Optional: 1 x ACDV305 Magnetic Catch



Important note
All deductions regarding heights are inclusive of DV670/DV570. This is due to there not being a face drained option, thus a sub-cill must always be used to channel the drainage away from the frame in the approved manner.



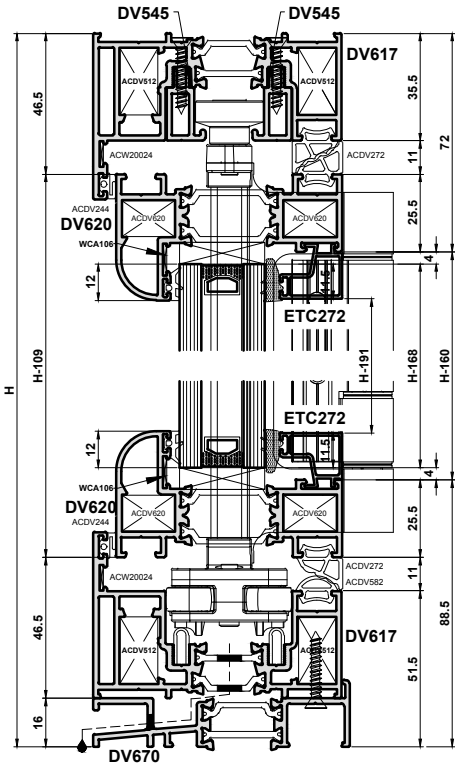
Increase all height deductions by 9mm or 18mm when using the projecting sub-cills.
9mm Deduction - ETC451, ETC452, ETC457, ETC458 & ETC479
18mm Deduction - ETC477



Do Not Scale From This Drawing

Cutting Information

3/2 Split Door



Sections

DV38	1	H - 119
DV60*	4	H - 109
DV545	1	W - 36
DV545	1	150
DV545	1	W - 186
DV617	2	W
DV617	2	H - 16
DV620	10	W/5 - 40.5
DV620	10	H - 109
DV640	2	H - 113
DV662 ^(a)	1	H - 113
DV662 ^(b)	1	H - 109
DV670	1	W
PCX38	1	H - 109
PCX44	1	H - 113
VG52	4	H - 59
VG53	2	W - 26
Bead	10	W/5 - 91.5
Bead	10	H - 191

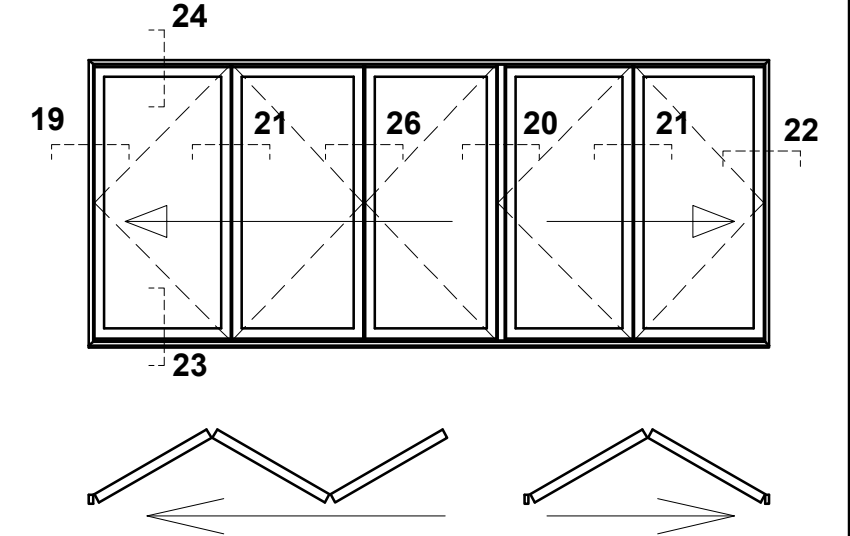
*Note: DV60 cover profile is optional.

Glass	
5 x	W/5 - 99.5
	H - 168

Accessories

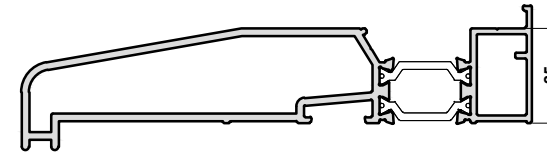
ACDV226	2	Shootbolt Handle
ACDV244	(2 x W) + (2 x H) - 200	Rebate Gasket
ACDV251	1	Lever/Lever Handle
ACDV258	1	Cylinder
ACDV266	18	45mm Lock & Keep Fixing Screw
ACDV272	(Sash W - 78) (Sash H - 78)	Sealing Gasket
ACDV272	Cut between hinges (Sash)	Sealing Gasket
ACDV272	Frame W - 36	Sealing Gasket
ACDV272	Cut between hinges (Frame)	Sealing Gasket
ACDV274	2	'D' Handle Hinge
ACDV275	5	Sash Gasket Corner Moulds
ACDV331	22	Intermediate Hinges
ACDV375	4	Outer Frame Gasket Corner Moulds
ACDV512	8	DV617 Cleat
ACDV571	20	Sash Bridge Packer
ACDV576/577	1	Lock/Full Height Keep
ACDV580	1	Mullion Bottom Roller
ACDV581	1	Mullion Top Guide
ACDV582	Frame W - 36	Outer Frame Gasket
ACDV590	1	Isolator and Woolpile Carrier
ACDV620	40	DV620 Cleat
ACDV623	18	Lock & Keep Fixing Plate
ACDV640N	1 Pair	DV640/DV662 End Caps
ACDV643	1 Pair	DV662 End Caps
ACDV663	2	Shootbolt Rod Pack
ACDV667	2 Pairs	Threshold Shootbolt Keeps
ACDV670	1 Pair	DV670 End Caps
ACET060	2xW @ 500 ctrs/3xH @ 500 ctrs	Self Tapping Screws
ACET067	4	Screws
ACET133	2	M5 x 50 Handle Screw
ACET160	2 x (H - 109)	Frame Rebate Gasket
ACET840	10 x (W/5 - 99.5) + 10 x (H - 168)	External Glazing Gasket
ACET842	10 x (W/5 - 99.5) + 10 x (H - 168)	Internal Glazing Gasket
ACW20024	4	Outer Frame Chevron
WCA106	20	Sash Chevron

+ Optional: 1 x ACDV305 Magnetic Catch

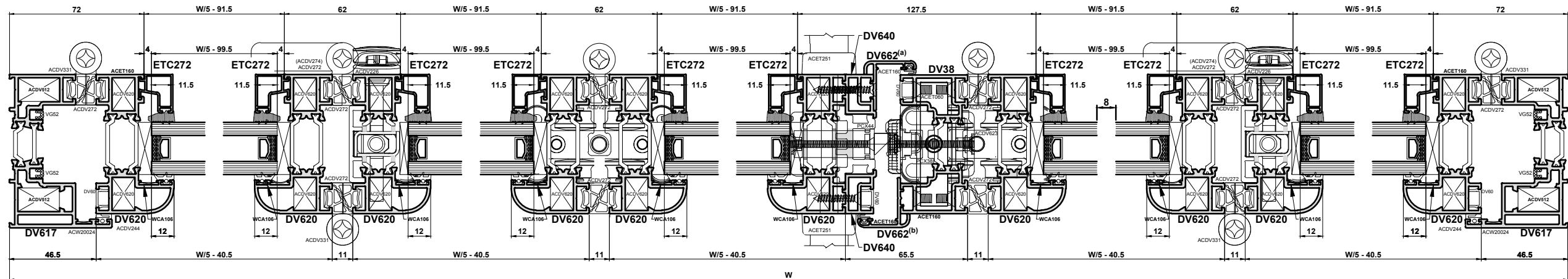


Important note

All deductions regarding heights are inclusive of DV670/DV570. This is due to there not being a face drained option, thus a sub-cill must always be used to channel the drainage away from the frame in the approved manner.



Increase all height deductions by 9mm or 18mm when using the projecting sub-cills.
9mm Deduction - ETC451, ETC452, ETC457, ETC458 & ETC479
18mm Deduction - ETC477



Do Not Scale From This Drawing